

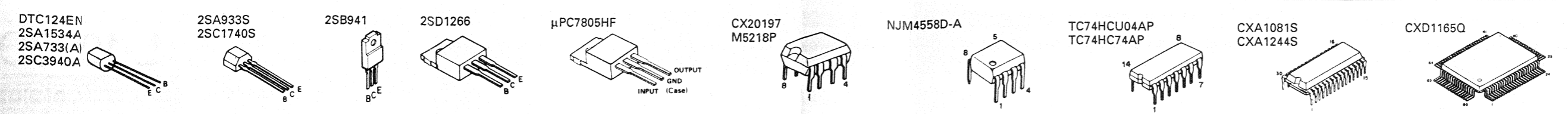
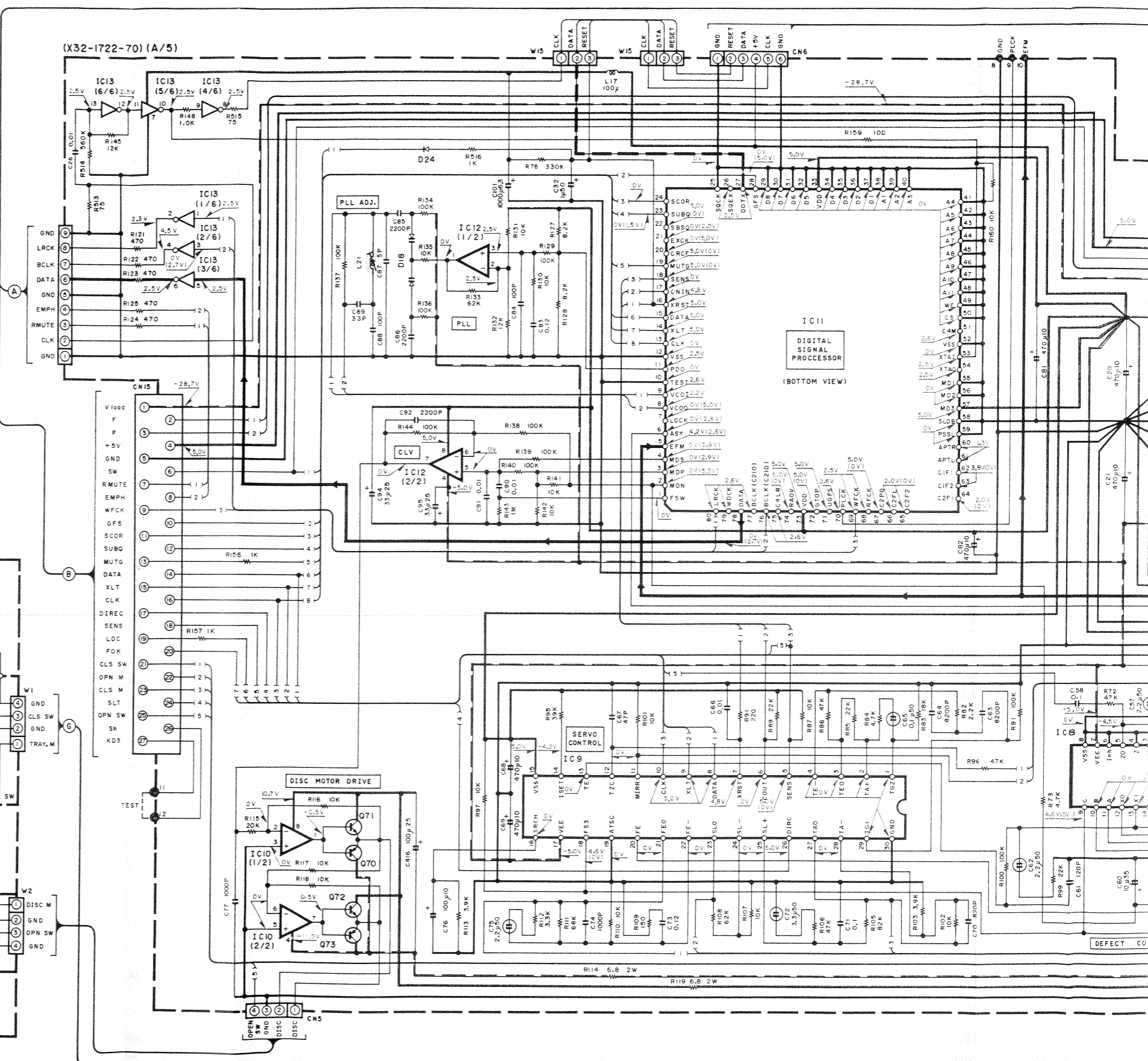
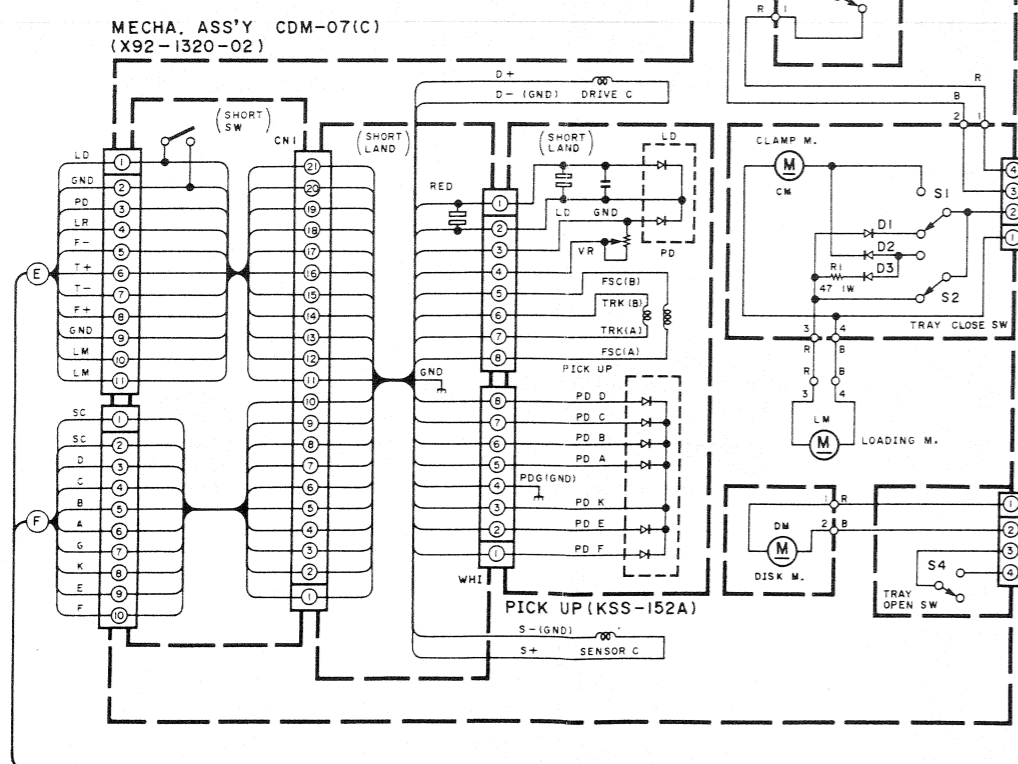
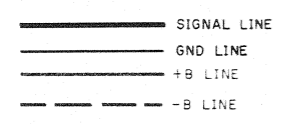
KENWOOD

L-1000D

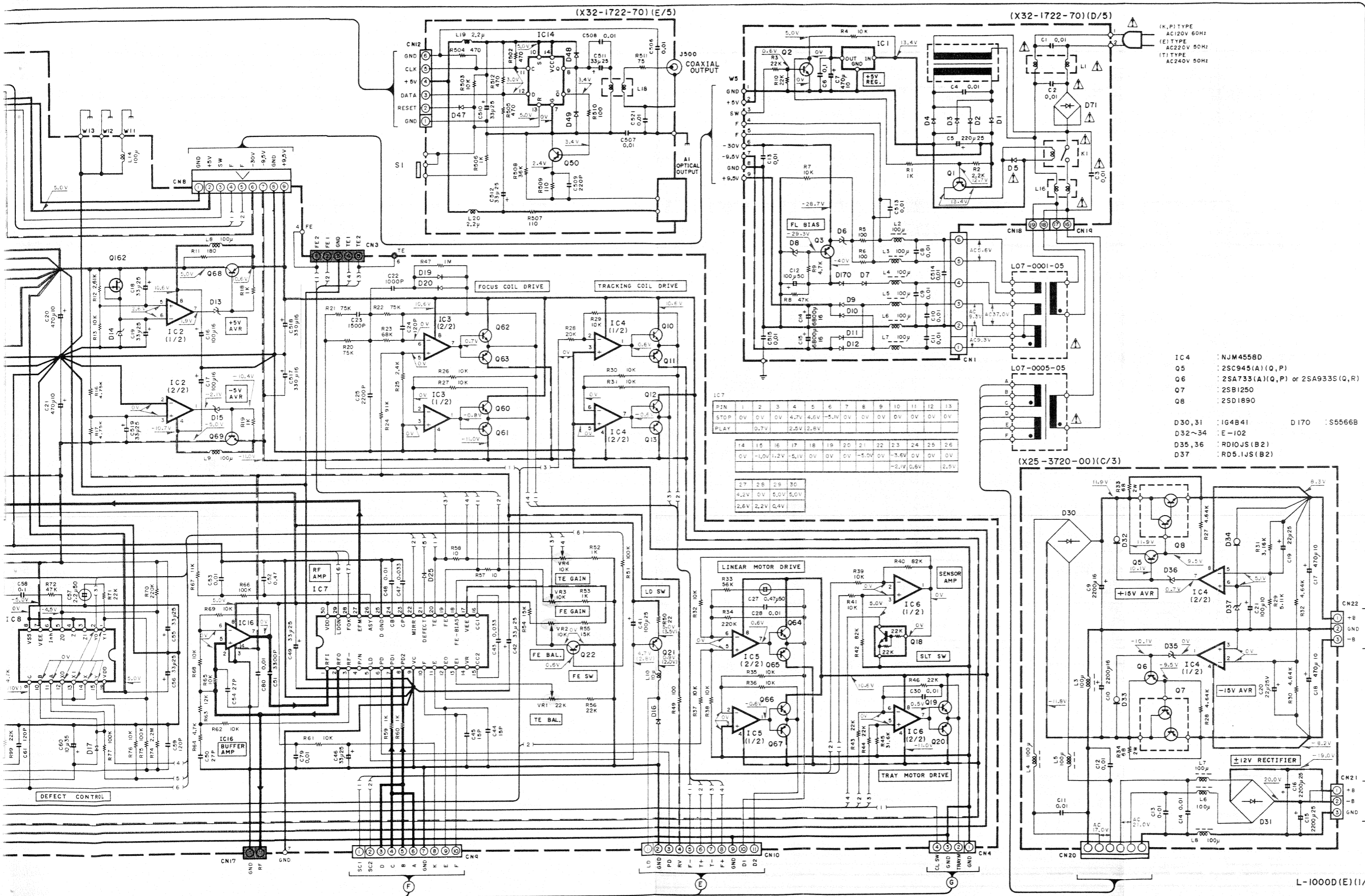
MODEL

SERVICE MANUAL

- (X32-1722-70)
- IC1 : μ PC7805HF
 - IC2-6,10 : NJM4558D-A
 - IC7 : CXA1081S
 - IC8 : μ PD4053BC
 - IC9 : CXA1244S
 - IC11 : CXD1165Q
 - IC12 : M5218P
 - IC13 : TC74HCU04AP
 - IC14 : TC74HC74AP
 - IC16 : CX20197
- Q1,3,61,63,66~68,70,73 : 2SB941
- Q2,22 : 2SC945(A)(Q,P) or 2SC1740S(Q,R)
- Q10,12,19,26 : 2SC3940A
- Q11,13,20,21 : 2SA1534A
- Q18 : DTC124EN
- Q50 : 2SA733(A)(Q,P) or 2SA933S(Q,R)
- Q60,62,64,65,69,71,72 : 2SD1266
- Q162 : 2SK118
- D1-5,7,9-12 : S5566B
- D6 : RD8.2ES(B2) or HZS8.2N(B2)
- D8 : RD30ES(B) or HZS30N(B)
- D13,15 : RD5.1JS(B2) or HZS5.1S(B2)
- D16,17,19,20,24,25,47~49 : ISS133 or HSS104
- D18 : ISV147
- D14 : RD3.9HS
- D71 : RBV1402LFA

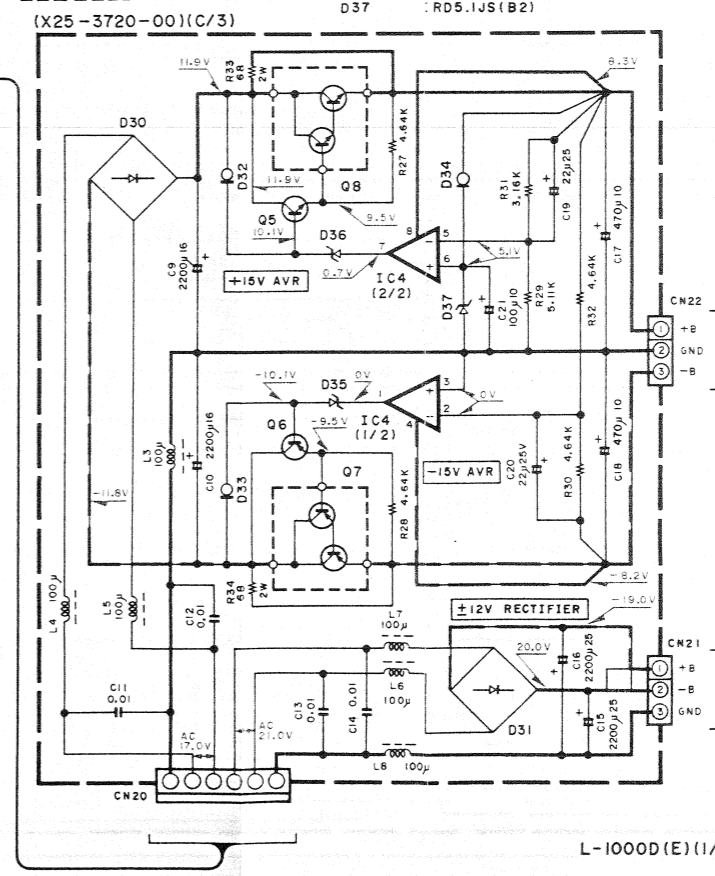


CAUTION: For continued components only with manu (refer to part s list). Ind nents. To reduce the risk of e or resistance measurement parts are acceptably insula before the appllance is retu



X32-B/5 -CN7
 X25-A/3 -CN30

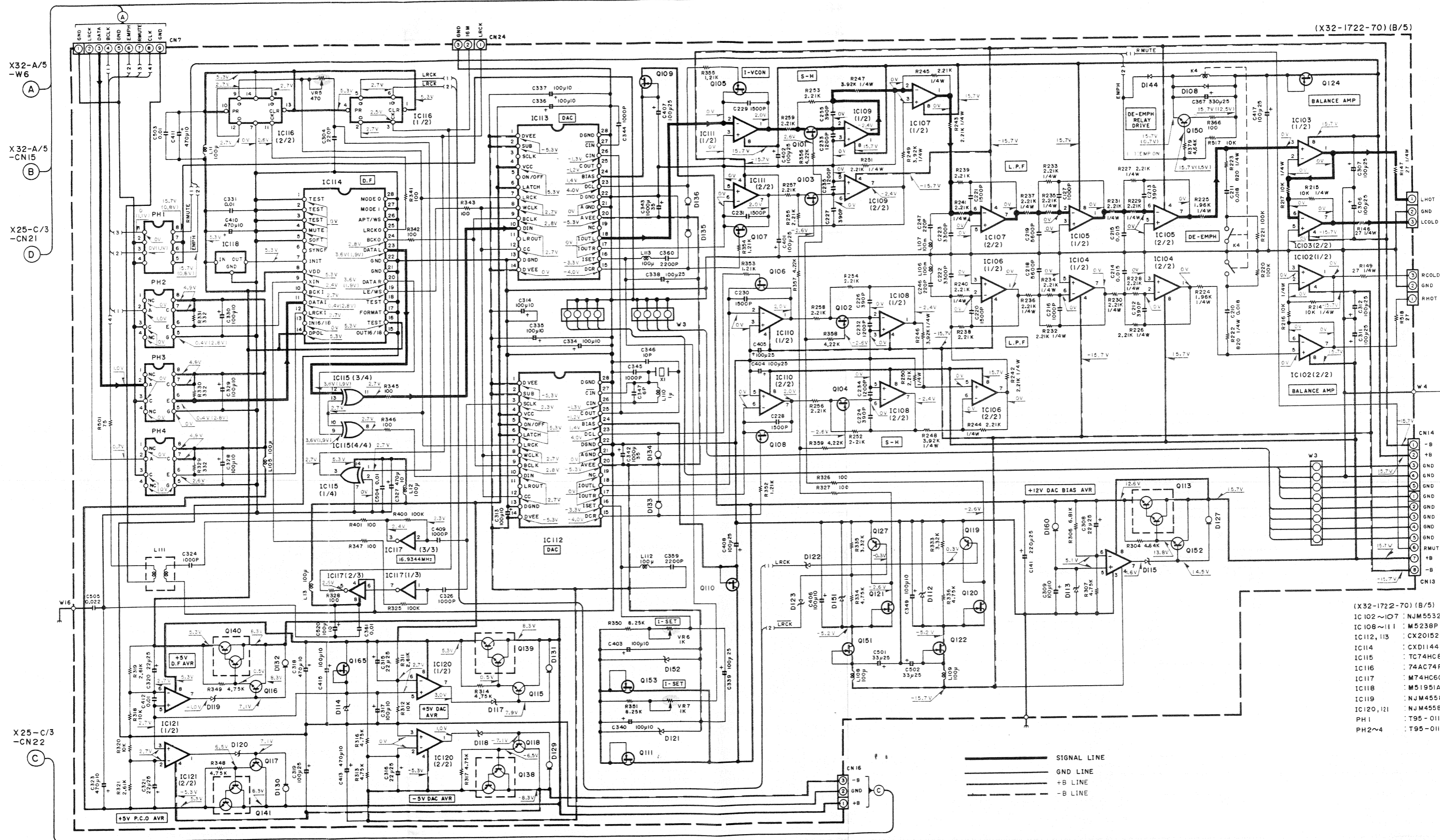
- IC 4 : NJM4558D
- Q 5 : 2SC945(A)(Q,P)
- Q 6 : 2SA733(A)(Q,P) or 2SA933S(Q,R)
- Q 7 : 2SB1250
- Q 8 : 2SD1890
- D30, 31 : 1G4B41
- D32~34 : E-102
- D35, 36 : RD10JS(B2)
- D37 : RD5.1JS(B2)
- D170 : S5566B



X32-B/5 -CN16
 X32-C/5 -CN18
 L-1000D(E)(1/2)

For continued safety, replace safety critical parts only with manufacturer's recommended parts (see parts list). Δ Indicates safety critical components. Safety critical components should be replaced only with parts of the same type and specification. Measurements shall be carried out (exposed parts acceptably insulated from the supply circuit) before the appliance is returned to the customer.

DC voltages are as measured with a high impedance voltmeter. Values may vary slightly due to variations between individual instruments or/and units.

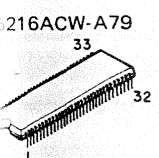
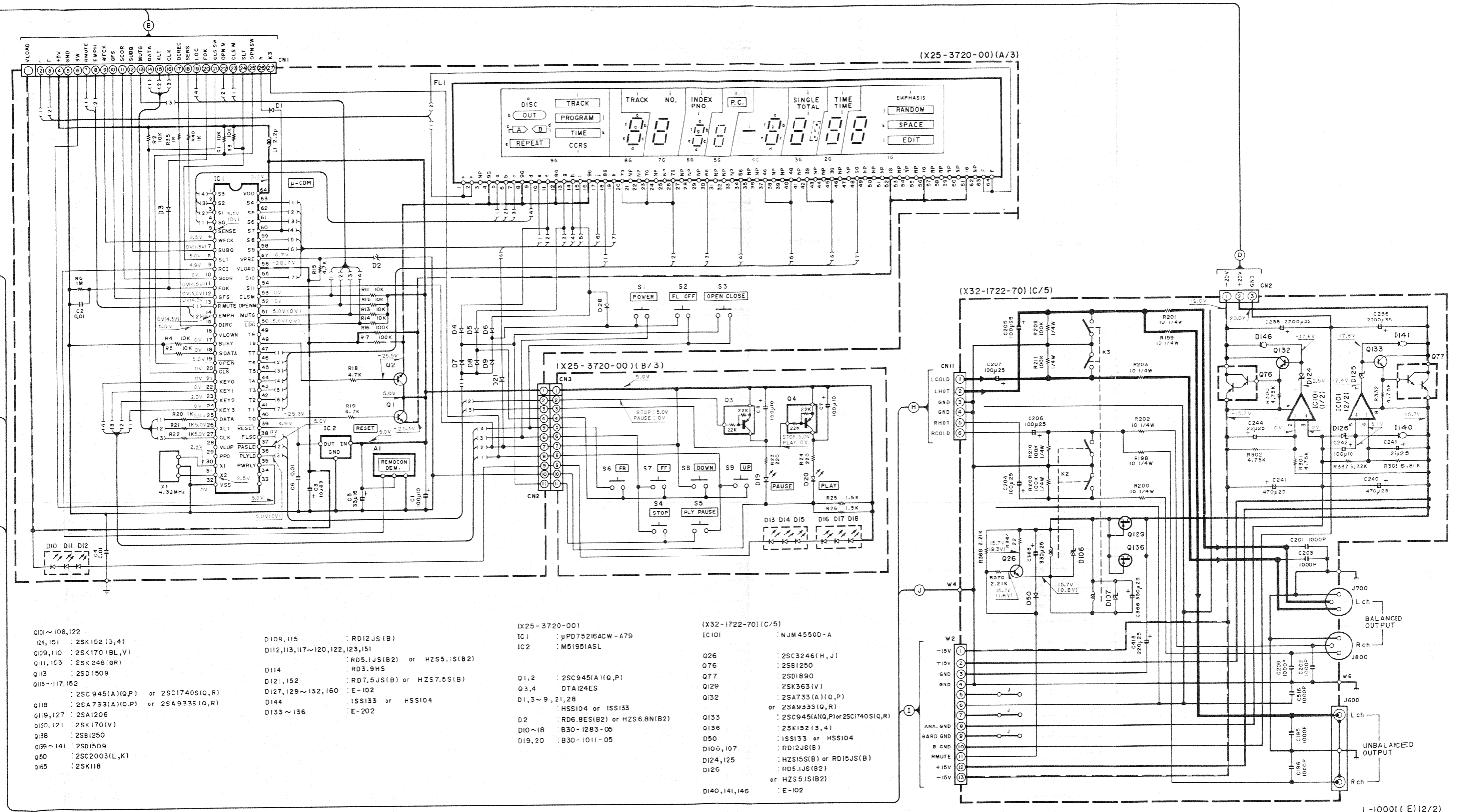


(X32-1722-70) (B/5)

- (X32-1722-70) (B/5)
 IC102~107 : NUM5532D-D
 IC108~111 : M5238P
 IC112, 113 : CX20152
 IC114 : CXD1144B
 IC115 : TC74HC86AP
 IC116 : 74AC74PC
 IC117 : M74HC6004P
 IC118 : M51951ASL
 IC119 : NJM4558L-D
 IC120, 121 : NJM4558D-A
 PH1 : T95-0116-05
 PH2~4 : T95-0114-05

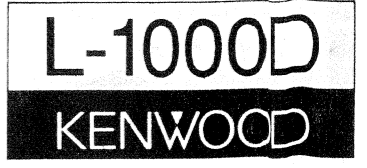
— SIGNAL LINE
 — GND LINE
 — +B LINE
 - - - -B LINE

- 2SA733(A) 2SA1206 DTA124ES 2SK152 2SK170 2SK246 M51951ASL NJM4558L-D M5238P NJM4558D-A 74AC74PC μPD4053BC CXD1144B CX20152 μPD75216ACW
- 2SC2003 2SC945(A) 2SA933S 2SC1740S 2SK170 2SK246 OUTPUT INPUT GND



CAUTION: For continued safety, replace safety critical components only with manufacturer's recommended parts (refer to parts list). Δ Indicates safety critical components. To reduce the risk of electric shock, leakage-current or resistance measurements shall be carried out (exposed parts are acceptably insulated from the supply circuit) before the appliance is returned to the customer.

• DC voltages are as measured with a high impedance voltmeter. Values may vary slightly due to variations between individual instruments or/and units.



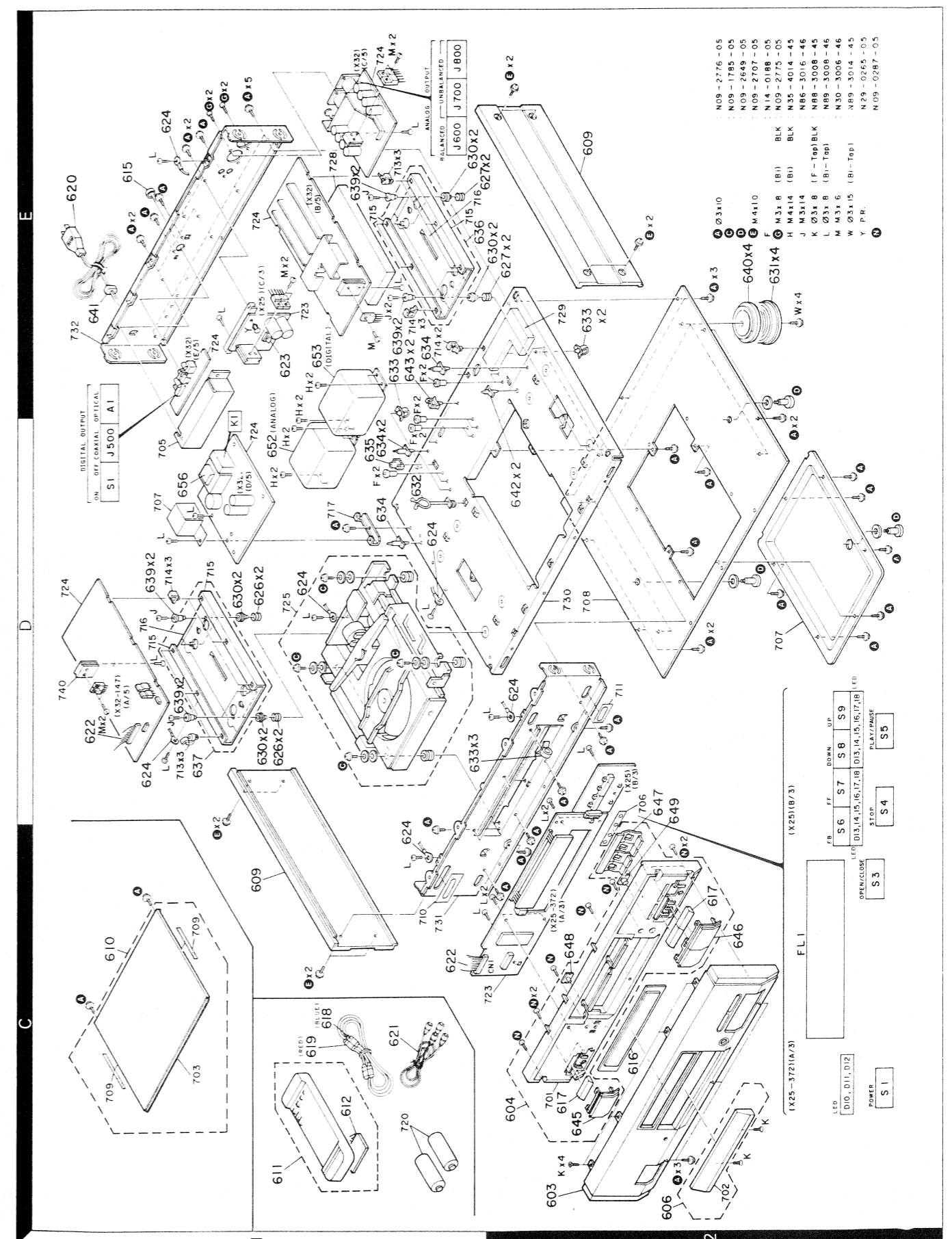
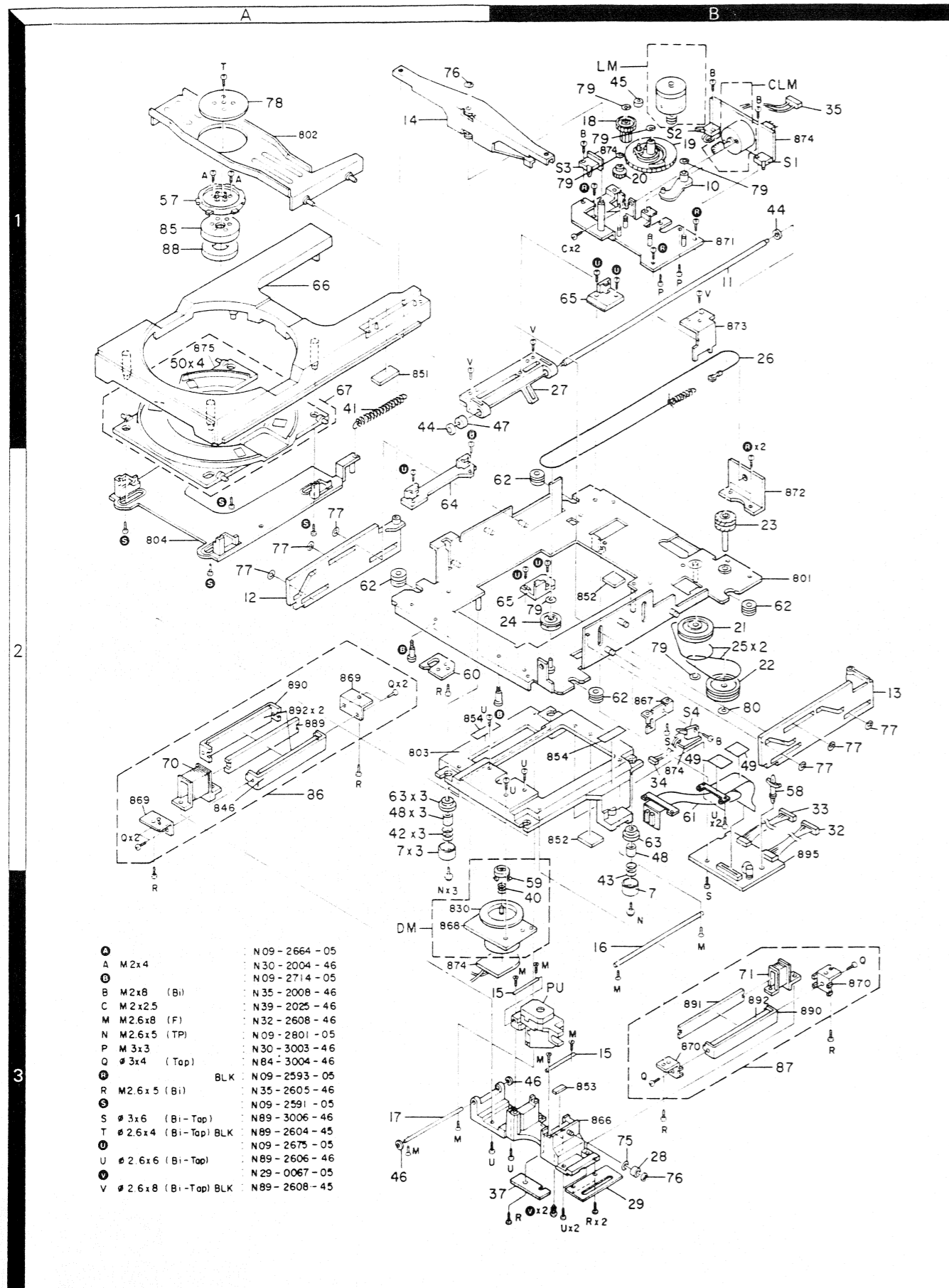
Y22-1932-70

L-1000 (E) (2/2)

L-1000D L-1000D

EXPLODED VIEW (MECHANISM)

EXPLODED VIEW (UNIT)



Parts with the exploded numbers larger than 700 are not supplied.

Parts with the exploded numbers larger than 700 are not supplied.

L-1000D

PARTS LIST

× New Parts

Parts without Parts No. are not supplied.

Les articles non mentionnés dans le Parts No. ne sont pas fournis.

Teile ohne Parts No. werden nicht geliefert.

Ref. No. 参照番号	Address 位置	New Parts 新	Parts No. 部品番号	Description 部品名/規格	Desti- nation 仕向	Re- marks 備考
L-1000D						
603	2C	*	A20-5910-15	PANEL		
604	2C	*	A22-1142-12	SUB PANEL ASSY		
606	2C	*	A29-0155-24	PANEL ASSY (TRAY)		
609	1C, 2E	*	A50-0335-03	SIDE PLATE ASSY		
610	1C	*	A52-0141-02	TOP PLATE ASSY		
611	1C	*	A70-0315-05	REMOCOM ASSY(RC-1000D)		
612	1C	*	A09-0100-08	BATTERY COVER		
615	1E	*	B09-0068-05	CAP		
616	2C	*	B10-1052-04	FRONT GLASS		
617	2C	*	B19-1502-04	LIGHTING BOARD		
-	-	*	B07-1917-04	ESCUTCHEON		
-	-	*	B46-0092-03	WARRANTY CARD		K
-	-	*	B46-0096-13	WARRANTY CARD		X
-	-	*	B46-0121-03	WARRANTY CARD		P
-	-	*	B46-0122-13	WARRANTY CARD		EE1
-	-	*	B46-0143-13	WARRANTY CARD		T
-	-	*	B50-9904-00	INSTRUCTION MANUAL(ENGLISH)		
-	-	*	B50-9905-00	INSTRUCTION MANUAL(FRENCH)		EE1
-	-	*	B50-9907-00	INSTRUCTION MANUAL(GER, DUT, IT)		EE1
-	-	*	B58-0400-04	CAUTION CARD		
-	-	*	B58-0895-04	CAUTION CARD		
618	1C	*	E30-2621-05	AUDIO CORD (BLUE)		
619	1C	*	E30-2622-05	AUDIO CORD (RED)		
△620	1E	*	E30-0459-05	AC POWER CORD		E1
△620	1E	*	E30-0780-05	AC POWER CORD		KP
△620	1E	*	E30-1341-05	AC POWER CORD		X
△620	1E	*	E30-1416-05	AC POWER CORD		T
△620	1E	*	E30-2580-05	AC POWER CORD		E
621	1C	*	E30-2600-05	CORD WITH PLUG		
622	1C, 1D	*	E31-7442-05	WIRING HARNESS		
623	1E	*	E31-7537-25	WIRING HARNESS		
624	1D, 1C	*	E31-7648-05	WIRING HARNESS		
626	1D	*	G01-1925-04	COMPRESSION SPRING		
627	2E	*	G01-2104-04	COMPRESSION SPRING		
-	-	*	H01-8651-04	ITEM CARTON CASE		
-	-	*	H10-3907-12	POLYSTYRENE FOAMED FIXTURE		
-	-	*	H10-3908-12	POLYSTYRENE FOAMED FIXTURE		
-	-	*	H25-0232-04	PROTECTION BAG (235X350X0.03)		
-	-	*	H25-0387-14	PROTECTION BAG		
-	-	*	H25-0395-04	PROTECTION BAG		
630	1D, 1E	*	J02-0192-05	INSULATOR		
631	2E	*	J02-1055-05	FOOT		
632	1D	*	J11-0096-05	WIRE CLAMPER		
633	1D, 1E	*	J11-0163-05	WIRE CLAMPER		
634	1D, 1E	*	J19-0515-05	UNIT HOLDER		
635	1D	*	J19-3180-05	UNIT HOLDER		
636	1E	*	J21-5528-03	MOUNTING HARDWARE ASSY		
637	1D	*	J21-5529-03	MOUNTING HARDWARE ASSY		
△638	1D, 1E	*	J31-0036-04	COLLAR		
640	2E	*	J39-0154-04	SPACER		

E1: Scandinavia K: USA P: Canada E: Europe

V: PX(Far East, Hawaii) T: England M: Other Areas

Y: AAFES(Europe) X: Australia

△ indicates safety critical components.

PARTS LIST

* New Parts

Parts without Parts No. are not supplied.

Les articles non mentionnés dans le Parts No. ne sont pas fournis.

Teile ohne Parts No. werden nicht geliefert.

Ref. No. 参照番号	Address 位置	New Parts 新	Parts No. 部品番号	Description 部品名 / 規格	Desti- nation 仕向	Re- marks 備考
△641	1E		J41-0024-15	POWER CORD BUSHING	E	
△641	1E		J42-0083-05	POWER CORD BUSHING	KP	XPTE
642	2D		J19-0586-05	UNIT HOLDER		
643	1E		J61-0033-05	WIRE BAND		
-			J61-0054-05	WIRE BAND		
-			J61-0081-05	WIRE BAND		
645	2C	*	K29-3798-04	KNØB (POWER)		
646	2C	*	K29-3799-04	KNØB (STOP/PLAY/POUSE)		
647	2D	*	K29-3800-04	KNØB (FB/FF/DOWN/UP)		
648	2C	*	K29-3801-04	KNØB (DISPLAY/OFF)		
649	2D	*	K29-3802-04	KNØB (OPEN/CLOSE)		
△652	1D	*	L07-0001-15	POWER TRANSFORMER(ANALOG)	EXTE1	
△652	1D	*	L07-0003-15	POWER TRANSFORMER(ANALOG)	KP	
△653	1E	*	L07-0005-05	POWER TRANSFORMER(DIGITAL)	EXTE1	
△653	1E	*	L07-0007-05	POWER TRANSFORMER(DIGITAL)	KP	
A	1E, 2D	*	N09-2776-05	SEMS (TAPTITE SCREW)		
C	1D		N09-1785-05	STEPPED SCREW		
D	2D, 2E		N09-2649-05	STEPPED SCREW		
E	1C, 2E		N09-2707-15	DRESSED SCREW		
F	1D, 1E	*	N14-0188-05	BUILD-IN NUT		
G	1E	*	N09-2775-05	MACHINE SCREW		
H	1D, 1E	*	N35-4014-45	BINDING HEAD MACHINE SCREW		
J	1D, 1E	*	N86-3016-46	BINDING HEAD TAPTITE SCREW		
K	2C		N88-3008-45	FLAT HEAD TAPTITE SCREW		
L	1C, 1D		N89-3008-46	BINDING HEAD TAPTITE SCREW		
N	2C		N09-0287-05	SEMS (TAPTITE SCREW)		
W	2E		N89-3014-45	BINDING HEAD TAPTITE SCREW		
POWER SUPPLY (X25-3720-00)						
D10 -18			B30-1283-05	LED		
D19 ,20			B30-1011-05	LED(SLP-481C-50)		
C1			CE04KW1A101M	ELECTRO 100UF 10WV		
C2			CF92FV1H103J	MF 0.010UF J		
C3			CE04KW1J100M	ELECTRO 10UF 63WV		
C4			CF92FV1H103J	MF 0.010UF J		
C5			CE04KW1C330M	ELECTRO 33UF 16WV		
C6			CF92FV1H103J	MF 0.010UF J		
C7 ,8			CE04KW1A101M	ELECTRO 100UF 10WV		
C9 ,10			CE04KW1C222M	ELECTRO 2200UF 16WV		
C11 -14			CF92FV1H103J	MF 0.010UF J		
C15 ,16			CE04KW1E222M	ELECTRO 2200UF 25WV		
C17 ,18			CE04KW1A471M	ELECTRO 470UF 10WV		
C19 ,20			C90-1814-05	ELECTRO 22UF 25WV		
C21		*	C90-1817-05	ELECTRO 100UF 10WV		
CN1			E10-2704-05	FLAT CABLE CONNECTOR		
L1			L40-229:-17	SMALL FIXED INDUCTOR		
L3 -8			L33-0328-05	CHOKE COIL		
X1		*	L78-0271-05	RESONATOR		
L	1E, 2C		N89-3008-46	BINDING HEAD TAPTITE SCREW		
M	1E		N30-3006-46	PAN HEAD MACHINE SCREW		
Y	1E		N29-0265-05	PUSH RIVET		
R27 ,28			RN14BK2C4641F	RN 4.64K F 1/6W		

E: Scandinavia K: USA P: Canada E: Europe

Y: PX(Far East, Hawaii) T: England M: Other Areas

Y: AAFES(Europe) X: Australia

△ indicates safety critical components.

PARTS LIST

* New Parts

Parts without Parts No. are not supplied.

Les articles non mentionnés dans le Parts No. ne sont pas fournis.

Teile ohne Parts No. werden nicht geliefert.

Ref. No. 参照番号	Address 位置	New Parts 新	Parts No. 部品番号	Description 部品名 / 規格	Desti- nation 仕向	Re- marks 備考
R29		*	RN14BK2C5111F	RN 5.11K F 1/6W		
R30			RN14BK2C4641F	RN 4.64K F 1/6W		
R31			RN14BK2C3161F	RN 3.16K F 1/6W		
R32			RN14BK2C4641F	RN 4.64K F 1/6W		
R33 ,34			RS14KB3D680J	FL-PROOF RS 68 J 2W		
S1 -9			S40-1064-05	PUSH SWITCH		
A1			W02-0975-05	ELECTRIC CIRCUIT MODULE		
D1			HSS104	DIODE		
D1			1SS133	DIODE		
D2			HZS6.8N(B2)	ZENER DIODE		
D2			RD6.8ES(B2)	ZENER DIODE		
D3 -9			HSS104	DIODE		
D3 -9			1SS133	DIODE		
D21			HSS104	DIODE		
D21			1SS133	DIODE		
D28			HSS104	DIODE		
D28			1SS133	DIODE		
D30 ,31			1G4B41	DIODE		
D32 -34			E-102	CONSTANT CURRENT DIODE		
D35 ,36			RD10JS(B2)	ZENER DIODE		
D37			RD5.1JS(B2)	ZENER DIODE		
FL1		*	FIP98FM8	FLUORESCENT INDICATOR TUBE		
IC1		*	UPD75216ACW-A79	IC(MICROPROCESSOR)		
IC2			M5195IASL	IC(SYSTEM RESET)		
IC4			NJM4558D	IC(OP AMP X2)		
Q1,2			2SC945(A)(Q,P)	TRANSISTOR		
Q3,4			DTA124ES	DIGITAL TRANSISTOR		
Q5			2SC945(A)(Q,P)	TRANSISTOR		
Q6			2SA733(A)(Q,P)	TRANSISTOR		
Q6			2SA933S(Q,R)	TRANSISTOR		
Q7			2SB1250	TRANSISTOR		
Q8			2SD1890	TRANSISTOR		
CONTROL (X32-1722-70)						
△C1 -3			C91-0971-05	FILM 0.01UF 250WV		
C4			CF92FV1H103J	MF 0.010UF J		
C5			CE04KW1E221M	ELECTRO 220UF 25WV		
C6			CF92FV1H104J	MF 0.10UF J		
C7			CE04KW1A471M	ELECTRO 470UF 10WV		
C8 -11			CF92FV1H103J	MF 0.010UF J		
C12			CE04KW1H101M	ELECTRO 100UF 50WV		
C13			CF92FV1H103J	MF 0.010UF J		
C14 ,15			CE04KW1C682M	ELECTRO 6800UF 16WV		
C16 ,17			CE04KW1C101M	ELECTRO 100UF 16WV		
C18 ,19			CE04KW1E330M	ELECTRO 33UF 25WV		
C20 ,21			CE04KW1A471M	ELECTRO 470UF 10WV		
C22			CF92FV1H102J	MF 1000PF J		
C23			CF92FV1H152J	MF 1500PF J		
C24			CF92FV1H121K	MF 120PF K		
C25			CF92FV1H222J	MF 2200PF J		
C26			CF92FV1H103J	MF 0.010UF J		
C27			C90-1331-05	NP-ELEC 0.47UF 50WV		
C28			CF92FV1H103J	MF 0.010UF J		
C30			CF92FV1H103J	MF 0.010UF J		

E: Scandinavia K: USA P: Canada E: Europe

Y: PX(Far East, Hawaii) T: England M: Other Areas

Y: AAFES(Europe) X: Australia

△ indicates safety critical components.

PARTS LIST

✱ New Parts
 Parts without Parts No. are not supplied.
 Les articles non mentionnés dans le Parts No. ne sont pas fournis.
 Teile ohne Parts No. werden nicht geliefert.

Ref. No. 参照番号	Address 位置	New Parts 新	Parts No. 部品番号	Description 部品名 / 規格	Desti- nation 仕向	Re- marks 備考
C32			CE04KW1H010M	ELECTR0 1.0UF 50WV		
C41			CE04KW1E101M	ELECTR0 100UF 25WV		
C42			CE04KW1E330M	ELECTR0 33UF 25WV		
C43			CF92FV1H333J	MF 0.033UF J		
C44 , 45			C91-0168-05	P0LYSTY 15PF K		
C46			CE04KW1E330M	ELECTR0 33UF 25WV		
C47			CF92FV1H333J	MF 0.033UF J		
C48			CF92FV1H103J	MF 0.010UF J		
C49			CE04KW1E330M	ELECTR0 33UF 25WV		
C50			C91-0171-05	P0LYSTY 27PF K		
C51			CF92FV1H332J	MF 3300PF J		
C52			CF92FV1H474J	MF 0.47UF J		
C53			CF92FV1H103J	MF 0.010UF J		
C54			C91-0171-05	P0LYSTY 27PF K		
C55 , 56			CE04KW1E330M	ELECTR0 33UF 25WV		
C57			C90-1350-05	NP-ELEC 2.2UF 50WV		
C58			CF92FV1H104J	MF 0.10UF J		
C59			CF92FV1H121K	MF 120PF K		
C60			CE04KW1V100M	ELECTR0 10UF 35WV		
C61			CF92FV1H121K	MF 120PF K		
C62			C90-1350-05	NP-ELEC 2.2UF 50WV		
C63 , 64			CF92FV1H822J	MF 8200PF J		
C65			C90-1455-05	NP-ELEC 0.1UF 50WV		
C66			CF92FV1H103J	MF 0.010UF J		
C67			C91-0174-05	P0LYSTY 47PF K		
C68 , 69			CE04KW1A471M	ELECTR0 470UF 10WV		
C70			CF92FV1H821J	MF 820PF J		
C71			CF92FV1H104J	MF 0.10UF J		
C72			C90-1351-05	NP-ELEC 3.3UF 50WV		
C73			CF92FV1H124J	MF 0.12UF J		
C74			CF92FV1H102J	MF 1000PF J		
C75			C90-1350-05	NP-ELEC 2.2UF 50WV		
C76			CE04KW1A101M	ELECTR0 100UF 10WV		
C77			CF92FV1H102J	MF 1000PF J		
C79 , 80			CF92FV1H103J	MF 0.010UF J		
C81 , 82			CE04KW1A471M	ELECTR0 470UF 10WV		
C83			CF92FV1H124J	MF 0.12UF J		
C84			CF92FV1H101K	MF 100PF K		
C85 , 86			CF92FV1H222J	MF 2200PF J		
C87			CC45FUJ1H050C	CERAMIC 5.0PF C		
C88			CC45FUJ1H101J	CERAMIC 100PF J		
C89			CC45FUJ1H330J	CERAMIC 33PF J		
C90 , 91			CF92FV1H103J	MF 0.010UF J		
C92			CF92FV1H222J	MF 2200PF J		
C94 , 95			CE04KW1E330M	ELECTR0 33UF 25WV		
C101			CE04KW0J102M	ELECTR0 1000UF 6.3WV		
C127		*	CQ93HP2A102F	MYLAR 1000PF F		
C141			CE04KW1E221M	ELECTR0 220UF 25WV		
C195, 196			CF92FV1H102J	MF 1000PF J		
C200-203			CF92FV1H102J	MF 1000PF J		
C204-207			C90-1807-05	ELECTR0 100UF 25WV		
C210, 211		*	CQ93HP2A183F	MYLAR 0.018UF F		
C214, 215		*	CQ93HP2A153F	MYLAR 0.015UF F		
C216		*	CQ93HP2A102F	MYLAR 1000PF F		

E1: Scandinavia K: USA P: Canada E: Europe

Y: PX(Far East, Hawaii) T: England M: Other Areas

Y: AAFES(Europe) X: Australia

▲ indicates safety critical components

PARTS LIST

✱ New Parts
 Parts without Parts No. are not supplied.
 Les articles non mentionnés dans le Parts No. ne sont pas fournis.
 Teile ohne Parts No. werden nicht geliefert.

Ref. No. 参照番号	Address 位置	New Parts 新	Parts No. 部品番号	Description 部品名 / 規格	Desti- nation 仕向	Re- marks 備考
C218, 219		*	CQ93HP2A562F	MYLAR 5600PF F		
C220, 221		*	CQ93HP2A152F	MYLAR 1500PF F		
C222, 223		*	CQ93HP2A332F	MYLAR 3300PF F		
C224		*	CF92FV1H391J	MF 390PF J		
C226, 227		*	CF92FV1H391J	MF 390PF J		
C228-231		*	CQ93HP2A152F	MYLAR 1500PF F		
C232-235			CF92FV1H122J	MF 1200PF J		
C236			CE04KW1V222M	ELECTR0 2200UF 35WV		
C238			CE04KW1V222M	ELECTR0 2200UF 35WV		
C240, 241		*	C90-1820-05	ELECTR0 470UF 25WV		
C242		*	C90-1817-05	ELECTR0 100UF 10WV		
C243, 244			C90-1814-05	ELECTR0 22UF 25WV		
C246, 247			CF92FV1H221J	MF 220PF J		
C255		*	CF92FV1H391J	MF 390PF J		
C304			CF92FV1H221J	MF 220PF J		
C306, 307			C90-1807-05	ELECTR0 100UF 25WV		
C308			C90-1814-05	ELECTR0 22UF 25WV		
C309		*	C90-1817-05	ELECTR0 100UF 10WV		
C311, 312			C90-1807-05	ELECTR0 100UF 25WV		
C313, 314			CE04KW1A101M	ELECTR0 100UF 10WV		
C315, 316			C90-1814-05	ELECTR0 22UF 25WV		
C317		*	C90-1817-05	ELECTR0 100UF 10WV		
C318			CE04KW1A471M	ELECTR0 470UF 10WV		
C319			CE04KW1E101M	ELECTR0 100UF 25WV		
C320, 321			C90-1814-05	ELECTR0 22UF 25WV		
C323			CE04KW1A471M	ELECTR0 470UF 10WV		
C324			CF92FV1H102J	MF 1000PF J		
C326			C91-0757-05	CERAMIC 1000PF K		
C327			CE04KW1A471M	ELECTR0 470UF 10WV		
C328-330			CE04KW1A101M	ELECTR0 100UF 10WV		
C331			CF92FV1H103J	MF 0.010UF J		
C334-337			CE04KW1A101M	ELECTR0 100UF 10WV		
C338, 339			C90-1807-05	ELECTR0 100UF 25WV		
C340		*	C90-1817-05	ELECTR0 100UF 10WV		
C342, 343			CE04KW1V102M	ELECTR0 1000UF 35WV		
C344, 345			CF92FV1H102J	MF 1000PF J		
C346			C91-0166-05	P0LYSTY 10PF D		
C347			C91-0162-05	P0LYSTY 6PF F		
C349		*	C90-1817-05	ELECTR0 100UF 10WV		
C359, 360			CF92FV1H222J	MF 2200PF J		
C361			CF92FV1H103J	MF 0.010UF J		
C365-367			CE04KW1E331M	ELECTR0 330UF 25WV		
C401, 402			CE04KW1E101M	ELECTR0 100UF 25WV		
C403		*	C90-1817-05	ELECTR0 100UF 10WV		
C404, 405			CE04KW1E101M	ELECTR0 100UF 25WV		
C406		*	C90-1817-05	ELECTR0 100UF 10WV		
C407, 408			CE04KW1E101M	ELECTR0 100UF 25WV		
C409			CF92FV1H102J	MF 1000PF J		
C410, 411			CE04KW1A471M	ELECTR0 470UF 10WV		
C412			CF92FV1H103J	MF 0.010UF J		
C413			CE04KW1A471M	ELECTR0 470UF 10WV		
C415			CE04KW1A101M	ELECTR0 100UF 10WV		
C416, 417			CE04KW1E101M	ELECTR0 100UF 25WV		
C418			CE04KW1E221M	ELECTR0 220UF 25WV		
C501, 502			CE04KW1E330M	ELECTR0 33UF 25WV		

E1: Scandinavia K: USA P: Canada E: Europe

Y: PX(Far East, Hawaii) T: England M: Other Areas

Y: AAFES(Europe) X: Australia

▲ indicates safety critical components

PARTS LIST

× New Parts

Parts without Parts No. are not supplied.

Les articles non mentionnés dans le Parts No. ne sont pas fournis.

Telle ohne Parts No. werden nicht geliefert.

Ref. No. 参照番号	Address 位置	New Parts 新部品	Parts No. 部品番号	Description 部品名/規格	Desti- nation 仕向	Re- marks 備考
C503, 504			CF92FV1H103J	MF 0.010UF J		
C505			CF92FV1H223J	MF 0.022UF J		
C506-508			CF92FV1H103J	MF 0.010UF J		
C509			CF92FV1H221J	MF 220PF J		
C510-512			CE04KW1E330M	ELECTRØ 33UF 25WV		
C513-515			CF92FV1H103J	MF 0.010UF J		
C516			CF92FV1H102J	MF 1000PF J		
C517, 518			CE04KW1C331M	ELECTRØ 330UF 16WV		
C519			CE04KW1E330M	ELECTRØ 33UF 25WV		
C520			CE04KW1A101M	ELECTRØ 100UF 10WV		
CN15			E10-2703-05	FLAT CABLE CONNECTOR		
J500	1D		E13-0137-05	PHONO JACK (COAXIAL)		
J600	1E	*	E13-2202-05	PHONO JACK (2P)		
J700	1E		E06-0306-05	CYLINDRICAL RECEPTACLE (3P)		
J800	1E		E06-0306-05	CYLINDRICAL RECEPTACLE (3P)		
Δ656	1D		L01-7651-05	POWER TRANSFORMER	KP	
Δ656	1D		L01-7652-05	POWER TRANSFORMER	EXTE1	
ΔL1			L79-0733-05	LINE FILTER		
L2 -7			L33-0328-05	CHØKE COIL		
L8 ,9			L40-1021-14	SMALL FIXED INDUCTØR(1.0MH,K)		
L10			L40-1001-17	SMALL FIXED INDUCTØR(10UH,K)		
L11 ,12			L40-1021-14	SMALL FIXED INDUCTØR(1.0MH,K)		
L13			L40-1021-11	SMALL FIXED INDUCTØR		
L14			L40-1021-14	SMALL FIXED INDUCTØR(1.0MH,K)		
L16		*	L92-0026-05	CØRE		
L17			L40-1011-17	SMALL FIXED INDUCTØR(100UH,K)		
L18			L39-0152-05	MATCHING COIL		
L19 ,20			L40-2291-17	SMALL FIXED INDUCTØR		
L21			L32-0328-15	OSCILLATING COIL		
L105			L40-1011-17	SMALL FIXED INDUCTØR(100UH,K)		
L106,107			L40-1021-14	SMALL FIXED INDUCTØR(1.0MH,K)		
L108,109			L40-1011-17	SMALL FIXED INDUCTØR(100UH,K)		
L110			L40-1091-17	SMALL FIXED INDUCTØR		
L111		*	L39-0197-05	MATCHING COIL		
L112,113			L40-1011-17	SMALL FIXED INDUCTØR(100UH,K)		
X1			L77-1128-05	CRYSTAL RESØNATOR		
L			N89-3008-46	BINDING HEAD TAPTITE SCREW		
M			N30-3006-46	PAN HEAD MACHINE SCREW		
R12			RN14BK2C2611F	RN 2.61K F 1/6W		
R13			RN14BK2C1002F	RN 10.0K F 1/6W		
R16 ,17		*	RN14BK2C4751F	RN 4.75K F 1/6W		
R18 ,19			RN14BK2C1001F	RN 1.00K F 1/6W		
R45		*	RN14BK2C3162F	RN 31.6K F 1/6W		
R114			RS14KB3D6R8J	FL-PROOF RS 6.8 J 2W		
R119			RS14KB3D6R8J	FL-PROOF RS 6.8 J 2W		
R146,147		*	RN14BK2E27R0F	RN 27.0 F 1/4W		
R149		*	RN14BK2E27R0F	RN 27.0 F 1/4W		
R198-203			RN14BK2E10R0F	RN 10.0 F 1/4W		
R208-211			RN14BK2E1003F	RN 100K F 1/4W		
R214-217			RN14BK2E1002F	RN 10.0K F 1/4W		
R220,221			RN14BK2C1004F	RN 1.00M F 1/6W		
R222,223			RN14BK2E8200F	RN 820.0 F 1/4W		
R224,225		*	RN14BK2E1961F	RN 1.96K F 1/4W		

E:1.Scandinavia K:USA P:Canada E:Europe

Y:PX(Far East, Hawaii) T:England M:Other Areas

Y:AAFES(Europe) X:Australia

Δ indicates safety critical components.

PARTS LIST

× New Parts

Parts without Parts No. are not supplied.

Les articles non mentionnés dans le Parts No. ne sont pas fournis.

Telle ohne Parts No. werden nicht geliefert.

Ref. No. 参照番号	Address 位置	New Parts 新部品	Parts No. 部品番号	Description 部品名/規格	Desti- nation 仕向	Re- marks 備考
R226-237		*	RN14BK2E2211F	RN 2.21K F 1/4W		
R238, 239			RN14BK2C2211F	RN 2.21K F 1/6W		
R240-245		*	RN14BK2E2211F	RN 2.21K F 1/4W		
R246-249		*	RN14BK2E3921F	RN 3.92K F 1/4W		
R250,251		*	RN14BK2E2211F	RN 2.21K F 1/4W		
R252-259			RN14BK2C2211F	RN 2.21K F 1/6W		
R300-302		*	RN14BK2C4751F	RN 4.75K F 1/6W		
R303			RN14BK2C6811F	RN 6.81K F 1/6W		
R304			RN14BK2C4641F	RN 4.64K F 1/6W		
R306			RN14BK2C6811F	RN 6.81K F 1/6W		
R307		*	RN14BK2C4751F	RN 4.75K F 1/6W		
R311			RN14BK2C2611F	RN 2.61K F 1/6W		
R312			RN14BK2C1002F	RN 10.0K F 1/6W		
R313, 314		*	RN14BK2C4751F	RN 4.75K F 1/6W		
R316, 317		*	RN14BK2C4751F	RN 4.75K F 1/6W		
R318			RN14BK2C1002F	RN 10.0K F 1/6W		
R319			RN14BK2C2611F	RN 2.61K F 1/6W		
R320			RN14BK2C1002F	RN 10.0K F 1/6W		
R321			RN14BK2C2611F	RN 2.61K F 1/6W		
R325			RN14BK2C1003F	RN 100K F 1/6W		
R326-328			RN14BK2C1000F	RN 100.0 F 1/6W		
R329-331			RN14BK2C3320F	RN 332.0 F 1/6W		
R332		*	RN14BK2C4751F	RN 4.75K F 1/6W		
R333		*	RN14BK2C3321F	RN 3.32K F 1/6W		
R334		*	RN14BK2C4751F	RN 4.75K F 1/6W		
R335		*	RN14BK2C3321F	RN 3.32K F 1/6W		
R336		*	RN14BK2C4751F	RN 4.75K F 1/6W		
R337		*	RN14BK2C3321F	RN 3.32K F 1/6W		
R341-343			RN14BK2C1000F	RN 100.0 F 1/6W		
R345-347			RN14BK2C1000F	RN 100.0 F 1/6W		
R348,349		*	RN14BK2C4751F	RN 4.75K F 1/6W		
R350,351			RN14BK2C8251F	RN 8.25K F 1/6W		
R352-355			RN14BK2C1211F	RN 1.21K F 1/6W		
R356-359		*	RN14BK2C4221F	RN 4.22K F 1/6W		
R364		*	RN14BK2C22R0F	RN 22.0 F 1/6W		
R366			RN14BK2C1000F	RN 100.0 F 1/6W		
R368			RN14BK2C2211F	RN 2.21K F 1/6W		
R370			RN14BK2C2211F	RN 2.21K F 1/6W		
R379			RN14BK2C4641F	RN 4.64K F 1/6W		
R400			RN14BK2C1003F	RN 100K F 1/6W		
R401			RN14BK2C1000F	RN 100.0 F 1/6W		
R501		*	RN14BK2C75R0F	RN 75.0 F 1/6W		
RS17			RN14BK2C1002F	RN 10.0K F 1/6W		
RS18		*	RN14BK2E27R0F	RN 27.0 F 1/4W		
VR1			R12-3128-05	TRIMMING PØT.(22K) TE BAL		
VR2 -4			R12-3126-05	TRIMMING PØT.(10K) FE BAL/GAIN		
VR5			R12-0118-05	TRIMMING PØT.(47Ø) LRCK		
VR6 ,7		*	R12-2046-05	TRIMMING PØT.(1K) I-SET		
ΔK1	1D		S51-1052-05	MAGNETIC RELAY		
K2 -4			S51-2074-05	MAGNETIC RELAY		
S1	1D		S31-2094-05	SLIDE SWITCH		
PH1		*	T95-0116-05	ØPTØ ISOLATOR		
PH2 -4		*	T95-0114-05	ØPTØ ISOLATOR		

E:1.Scandinavia K:USA P:Canada E:Europe

Y:PX(Far East, Hawaii) T:England M:Other Areas

Y:AAFES(Europe) X:Australia

Δ indicates safety critical components.

PARTS LIST

* New Parts

Parts without Parts No. are not supplied.

Les articles non mentionnés dans le Parts No. ne sont pas fournis.

Teile ohne Parts No. werden nicht geliefert.

Ref. No. 参照番号	Address 位置	New Parts 新	Parts No. 部品番号	Description 部品名 / 規格	Desti- nation 仕向	Re- marks 備考
D1	-5		S5566B	DIODE		
D6			HZS8.2N(B2)	ZENER DIODE		
D6			RDB.2ES(B2)	ZENER DIODE		
D7			S5566B	DIODE		
D8			HZS30N(B)	ZENER DIODE		
D8			RD30ES(B)	ZENER DIODE		
D9	-12		S5566B	DIODE		
D13			HZS5.1S(B2)	ZENER DIODE		
D13			RD5.1JS(B2)	ZENER DIODE		
D14		*	RD3.9HS	ZENER DIODE		
D15			HZS5.1S(B2)	ZENER DIODE		
D15			RD5.1JS(B2)	ZENER DIODE		
D16	,17		HSS104	DIODE		
D16	,17		1SS133	DIODE		
D18			1SV147	VARISTOR		
D19	,20		HSS104	DIODE		
D19	,20		1SS133	DIODE		
D24	,25		HSS104	DIODE		
D24	,25		1SS133	DIODE		
D47	-50		HSS104	DIODE		
D47	-50		1SS133	DIODE		
D71			RBV1402LFA	DIODE		
D106-108			RD12JS(B)	ZENER DIODE		
D112,113			HZS5.1S(B2)	ZENER DIODE		
D112,113			RD5.1JS(B2)	ZENER DIODE		
D114		*	RD3.9HS	ZENER DIODE		
D115			RD12JS(B)	ZENER DIODE		
D117-120			HZS5.1S(B2)	ZENER DIODE		
D117-120			RD5.1JS(B2)	ZENER DIODE		
D121			HZS7.5S(B)	ZENER DIODE		
D121			RD7.5JS(B)	ZENER DIODE		
D122,123			HZS5.1S(B2)	ZENER DIODE		
D122,123			RD5.1JS(B2)	ZENER DIODE		
D124,125			HZS15S(B)	ZENER DIODE		
D124,125			RD15JS(B)	ZENER DIODE		
D126			HZS5.1S(B2)	ZENER DIODE		
D126			RD5.1JS(B2)	ZENER DIODE		
D127			E-102	CONSTANT CURRENT DIODE		
D129-132			E-102	CONSTANT CURRENT DIODE		
D133-136			E-202	CONSTANT CURRENT DIODE		
D140,141			E-102	CONSTANT CURRENT DIODE		
D144			HSS104	DIODE		
D144			1SS133	DIODE		
D146			E-102	CONSTANT CURRENT DIODE		
D151			HZS5.1S(B2)	ZENER DIODE		
D151			RD5.1JS(B2)	ZENER DIODE		
D152			HZS7.5S(B)	ZENER DIODE		
D152			RD7.5JS(B)	ZENER DIODE		
D160			E-102	CONSTANT CURRENT DIODE		
D170			S5566B	DIODE		
IC1			UPC7805HF	IC(VOLTAGE REGULATOR/ +5V)		
IC2	-6		NJM4558D-A	IC(OP AMP X2)		
IC7			CXA1081S	IC(RF AMP)		
IC8			UPD4053BC	IC(3-INPUT ZCH MPX/DE-MPX)		
IC9			CXA1244S	IC(SERVO SIGNAL PROCESSOR)		

E1: Scandinavia K: USA P: Canada E: Europe

Y: PX(Far East, Hawaii) T: England M: Other Areas

Y: AAFES(Europe) X: Australia

△ indicates safety critical components

PARTS LIST

* New Parts

Parts without Parts No. are not supplied.

Les articles non mentionnés dans le Parts No. ne sont pas fournis.

Teile ohne Parts No. werden nicht geliefert.

Ref. No. 参照番号	Address 位置	New Parts 新	Parts No. 部品番号	Description 部品名 / 規格	Desti- nation 仕向	Re- marks 備考
IC10			NJM4558D-A	IC(OP AMP X2)		
IC11			CXD1165Q	IC(DIGITAL SIGNAL PROCESSOR)		
IC12			M5218P	IC(OP AMP X2)		
IC13			TC74HC04AP	IC(CMOS INVERTER)		
IC14			TC74HC74AP	IC(DUAL D-TYPE FLIP FLOP)		
IC16			CX20197	IC(OP AMP X2)		
IC101			NJM4558D-A	IC(OP AMP X2)		
IC102-107			NJM5532D-D	IC(OP AMP X2)		
IC108-111			M5238P	IC(OP AMP)		
IC112, 113			CX20152	IC(16-BIT D/A CONVERTER)		
IC114		*	CXD1144B	IC(DIGITAL FILTER)		
IC115			TC74HC86AP	IC		
IC116			74AC74PC	IC(D-FLIP FLOP)		
IC117		*	M74HC6004P	IC(TRIPLE UNBUFFERED INVERTER)		
IC118			M51951ASL	IC(SYSTEM RESET)		
IC119			NJM4558L-D	IC(OP AMP X2)		
IC120, 121			NJM4558D-A	IC(OP AMP X2)		
Q1			2SB941	TRANSISTOR		
Q2			2SC1740S(Q,R)	TRANSISTOR		
Q2			2SC945(A)(Q,P)	TRANSISTOR		
Q3			2SB941	TRANSISTOR		
Q10			2SC3940A	TRANSISTOR		
Q11			2SA1534A	TRANSISTOR		
Q12			2SC3940A	TRANSISTOR		
Q13			2SA1534A	TRANSISTOR		
Q18			DTC124EN	DIGITAL TRANSISTOR		
Q19			2SC3940A	TRANSISTOR		
Q20, 21			2SA1534A	TRANSISTOR		
Q22			2SC1740S(Q,R)	TRANSISTOR		
Q22			2SC945(A)(Q,P)	TRANSISTOR		
Q26			2SC3246(H,J)	TRANSISTOR		
Q50			2SA733(A)(Q,P)	TRANSISTOR		
Q50			2SA933S(Q,R)	TRANSISTOR		
Q60			2SD1266	TRANSISTOR		
Q61			2SB941	TRANSISTOR		
Q62			2SD1266	TRANSISTOR		
Q63			2SB941	TRANSISTOR		
Q64, 65			2SD1266	TRANSISTOR		
Q66 -68			2SB941	TRANSISTOR		
Q69			2SD1266	TRANSISTOR		
Q70			2SB941	TRANSISTOR		
Q71, 72			2SD1266	TRANSISTOR		
Q73			2SB941	TRANSISTOR		
Q76			2SB1250	TRANSISTOR		
Q77			2SD1890	TRANSISTOR		
Q101-108			2SK152(3,4)	FET		
Q109, 110			2SK170(BL,V)	FET		
Q111			2SK246(GR)	FET		
Q113			2SD1509	TRANSISTOR		
Q115-117			2SC1740S(Q,R)	TRANSISTOR		
Q115-117			2SC945(A)(Q,P)	TRANSISTOR		
Q118			2SA733(A)(Q,P)	TRANSISTOR		
Q118			2SA933S(Q,R)	TRANSISTOR		
Q119			2SA1206	TRANSISTOR		
Q120, 121			2SK170(V)	FET		

E1: Scandinavia K: USA P: Canada E: Europe

Y: PX(Far East, Hawaii) T: England M: Other Areas

X: Australia

△ indicates safety critical components.

PARTS LIST

* New Parts

Parts without Parts No. are not supplied.

Les articles non mentionnés dans le Parts No. ne sont pas fournis.

Teile ohne Parts No. werden nicht geliefert.

Ref. No. 参照番号	Address 位置	New Parts 新	Parts No. 部品番号	Description 部品名 / 規格	Desti- nation 仕向	Re- marks 備考
Q122			2SK152(3,4)	FET		
Q124			2SK152(3,4)	FET		
Q127			2SA1206	TRANSISTOR		
Q129			2SK363(V)	FET		
Q132			2SA733(A)(Q,P)	TRANSISTOR		
Q132			2SA933S(Q,R)	TRANSISTOR		
Q133			2SC1740S(Q,R)	TRANSISTOR		
Q133			2SC945(A)(Q,P)	TRANSISTOR		
Q136			2SK152(3,4)	FET		
Q138			2SB1250	TRANSISTOR		
Q139-141			2SD1509	TRANSISTOR		
Q150			2SC2003(L,K)	TRANSISTOR		
Q151			2SK152(3,4)	FET		
Q152			2SC1740S(Q,R)	TRANSISTOR		
Q152			2SC945(A)(Q,P)	TRANSISTOR		
Q153			2SK246(GR)	FET		
Q162			2SK118	FET		
Q165			2SK118	FET		
A1	1E		W02-1036-05	TRANSMITTING ASSY(OPTICAL)		
MECHANISM (X92-1320-03)						
7	2A, 3B	*	B09-0201-04	CAP		
10	1B		D10-2231-04	ARM ASSY		
11	1B		D10-2233-04	ROD		
12	2A		D10-2234-03	SLIDER		
13	2B		D10-2235-13	SLIDER		
14	1A		D10-2237-13	ARM		
15	3B		D10-2238-04	ROD		
16	3B		D10-2270-04	ROD		
17	3A	*	D10-2478-04	ROD		
18	1B		D13-0725-04	GEAR		
19	1B		D13-0726-03	GEAR		
20	1B		D13-0744-04	GEAR		
21	2B		D15-0285-04	PULLEY		
22	2B		D15-0286-04	PULLEY		
23	2B		D15-0287-04	PULLEY		
24	2B		D15-0288-04	PULLEY		
25	2B		D16-0192-04	BELT		
26	1B		D19-0253-24	WIRE		
27	1B		D23-0237-04	RETAINER		
28	3B		D23-0238-05	RETAINER		
29	3B		D32-0177-04	STOPPER		
32	2B	*	E31-7255-05	WIRING HARNESS (10P) WHITE		
33	2B	*	E31-7256-05	WIRING HARNESS (11P) GREEN		
34	2B	*	E31-4624-05	WIRING HARNESS (4P) GREEN		
35	1B	*	E31-4625-15	WIRING HARNESS (4P) WHITE		
37	3B	*	F07-0568-04	COVER		
40	3B		G01-2105-04	COMPRESSION SPRING (DM)		
41	1A		G01-2281-04	EXTENSION SPRING		
42	2A	*	G01-2472-04	COMPRESSION SPRING		
43	3B	*	G01-2473-04	COMPRESSION SPRING		
44	1A, 1B	*	G11-1302-04	CUSHION		
45	1B		G11-1321-14	CUSHION		

E1: Scandinavia K: USA P: Canada E: Europe

Y: PX(Far East, Hawaii) T: England M: Other Areas

X: Australia

△ indicates safety critical components.

L-1000D L-1000D

PARTS LIST

* New Parts

Parts without Parts No. are not supplied.

Les articles non mentionnés dans le Parts No. ne sont pas fournis.

Teile ohne Parts No. werden nicht geliefert.

Ref. No. 参照番号	Address 位置	New Parts 新	Parts No. 部品番号	Description 部品名/規格	Desti- nation 仕 向	Re- marks 備考
46	3A, 3B		G11-1322-14	CUSHION		
47	1B	*	G11-2012-04	CUSHION		
48	2A, 2B	*	G11-2025-04	CUSHION		
49	2B	*	G11-2028-04	SOFT TAPE		
50	1A	*	G16-0741-04	SHEET		
57	1A		J11-0137-03	CLAMPER		
58	2B		J19-0516-05	UNIT HOLDER		
59	3B		J19-2874-04	HOLDER		
60	2A		J19-3119-04	HOLDER		
61	2B	*	J25-6316-15	FLEXIBLE ASSY		
62	2A, 2B		J42-0165-04	BUSHING		
63	2A, 2B	*	J42-0179-04	BUSHING		
64	2A		J90-0619-14	GUIDE		
65	1B, 2B		J90-0620-14	GUIDE		
66	1A	*	J99-0057-01	TRAY		
67	1A	*	J99-0072-04	TRAY ASSY		
-			J61-0019-05	WIRE BAND		
-			J61-0307-05	WIRE BAND		
70	2A		L90-0019-08	COIL		
71	3B		L90-0020-08	COIL		
75	3B		N19-0143-04	FLAT WASHER		
76	3B		N19-0891-04	FLAT WASHER		
77	2A, 2B		N19-0921-04	FLAT WASHER		
78	1A		N19-0945-04	FLAT WASHER		
79	1B, 2B		N19-1211-04	FLAT WASHER		
80	2B		N19-1212-04	FLAT WASHER		
A			N09-2664-05	STEPPED SCREW		
A		*	N30-2004-46	PAN HEAD MACHINE SCREW		
B		*	N09-2714-05	STEPPED SCREW		
B			N35-2008-46	BINDING HEAD MACHINE SCREW		
C			N39-2025-46	PAN HEAD MACHINE SCREW		
M			N32-2608-46	FLAT HEAD MACHINE SCREW		
N			N09-2801-05	MACHINE SCREW		
N			N35-2605-45	BINDING HEAD MACHINE SCREW		
P			N30-3003-46	PAN HEAD MACHINE SCREW		
Q			N84-3004-46	PAN HEAD TAPTITE SCREW		
R		*	N09-2593-05	TAPTITE SCREW		
R		*	N35-2605-46	BINDING SCREW		
S			N09-2591-05	TAPTITE SCREW		
S			N89-3006-46	BINDING HEAD TAPTITE SCREW		
T			N89-2604-45	BINDING HEAD TAPTITE SCREW		
U			N09-2675-05	TAPTITE SCREW		
U			N89-2606-46	BINDING HEAD TAPTITE SCREW		
V			N29-0067-05	PUSH RIVET (3.5X4.5)		
V			N89-2608-45	BINDING HEAD TAPTITE SCREW		
R1			RS14KB3A470J	FL-PROOF RS 47 J 1W		
S1 -4	1B, 2B		S33-1017-05	LEVER SWITCH		
85	1A		T50-1041-04	YOKE		
86	2A	*	T50-1049-15	YOKE ASSY		
87	3B	*	T50-1050-15	YOKE ASSY		
88	1A		T99-0222-05	MAGNET		
CLM	1B		T41-0463-04	MOTOR ASSY (CLAMP)		

E1: Scandinavia K: USA P: Canada E: Europe

V: PX(Far East, Hawaii) T: England M: Other Areas

Y: AAFES(Europe) X: Australia

△ indicates safety critical components.

PARTS LIST / SPECIFICATIONS

* New Parts

Parts without Parts No. are not supplied.

Les articles non mentionnés dans le Parts No. ne sont pas fournis.

Teile ohne Parts No. werden nicht geliefert.

Ref. No. 参照番号	Address 位置	New Parts 新	Parts No. 部品番号	Description 部品名/規格	Desti- nation 仕 向	Re- marks 備考
DM	3A		T42-0499-14	MOTOR ASSY (DISC)		
LH	1B		T42-0498-04	MOTOR ASSY (LOADING)		
PU	3B		J91-0347-05	PICKUP		

E1: Scandinavia K: USA P: Canada E: Europe

Y: PX(Far East, Hawaii) T: England M: Other Areas

Y: AAFES(Europe) X: Australia

△ indicates safety critical components

Specifications

[Audio]

	BALANCED	UNBALANCED
Frequency response	2 Hz ~ 20 kHz, ±0.2 dB	2 Hz ~ 20 kHz, ±0.2 dB
Signal-to-noise ratio	more than 107 dB	more than 107 dB
Total harmonic distortion	0.0015% at 1 kHz	0.0015% at 1 kHz
Output	ANALOG	2.0 V

Output

DIGITAL (COAXIAL) 0.5 V p-p, 75 Ω
(OPTICAL) -15 dBm ~ -21 dBm

Channel separation more than 108 dB at 1 kHz

Wow & flutter Below measurable limit

[General]

Power consumption 40 W

Dimensions W: 440 mm (17-5/16")
H: 131 mm (5-3/16")
D: 387 mm (15-1/4")

Weight 14 kg (30.8 lb)

[Format]

Type Compact disc player

Read system Non-contact optical pickup

Rotational speed About 200 to 500 rpm

Output connector CANNON connector

Note:

KENWOOD follows a policy of continuous advancements in development. For this reason specifications may be changed without notice.

Note:

Component and circuitry are subject to modification to insure best operation under differing local conditions. This manual is based on, the U.S.A. (K) standard, and provides information on regional circuit modification through use of alternate schematic diagrams, and information on regional component variations through use of parts list.

KENWOOD CORPORATION

Shionogi-Shibuya Building, 17-5, 2-chome Shibuya, Shibuya-ku, Tokyo 150, Japan

KENWOOD U.S.A. CORPORATION

2201 East Dominguez Street, Long Beach, CA 90810;

550 Clark Drive, Mount Olive, NJ 07828, U.S.A.

KENWOOD ELECTRONICS CANADA INC.

P.O. BOX 1075, 959 Gene Court, Mississauga, Ontario, Canada L4T 4C2

TRIO-KENWOOD U.K. LTD.

KENWOOD HOUSE, Dwight Road, Watford, Herts., WD1 8EB United Kingdom

KENWOOD ELECTRONICS BENELUX N.V.

Mechelsesteenweg 418 B-1830 Zaventem, Belgium

KENWOOD ELECTRONICS DEUTSCHLAND GMBH

Rembrückstr. 15, 60506 Heusenstamm, West Germany

TRIO-KENWOOD FRANCE S.A.

13 Boulevard Ney, 75018 Paris, France

KENWOOD LINEAR S.p.A.

20125, MILANO-VIA ARBE, 50, ITALY

KENWOOD ELECTRONICS AUSTRALIA PTY. LTD. (INCORPORATED IN N.S.W.)

4E Woodcock Place, Lane Cove, N.S.W. 2086, Australia

KENWOOD & LEE ELECTRONICS, LTD.

Wang Kee Building, 4th Floor, 34-37, Connaught Road, Central, Hong Kong

Accessories

- Audio cord 1
- CANNON cable 2
- Remote control unit .. 1
- Battery ("AA" or "R6") 2

E30-2600-05
E31-2621-05(BLUE)
E31-2622-05(RED)

(A70-0315-05)