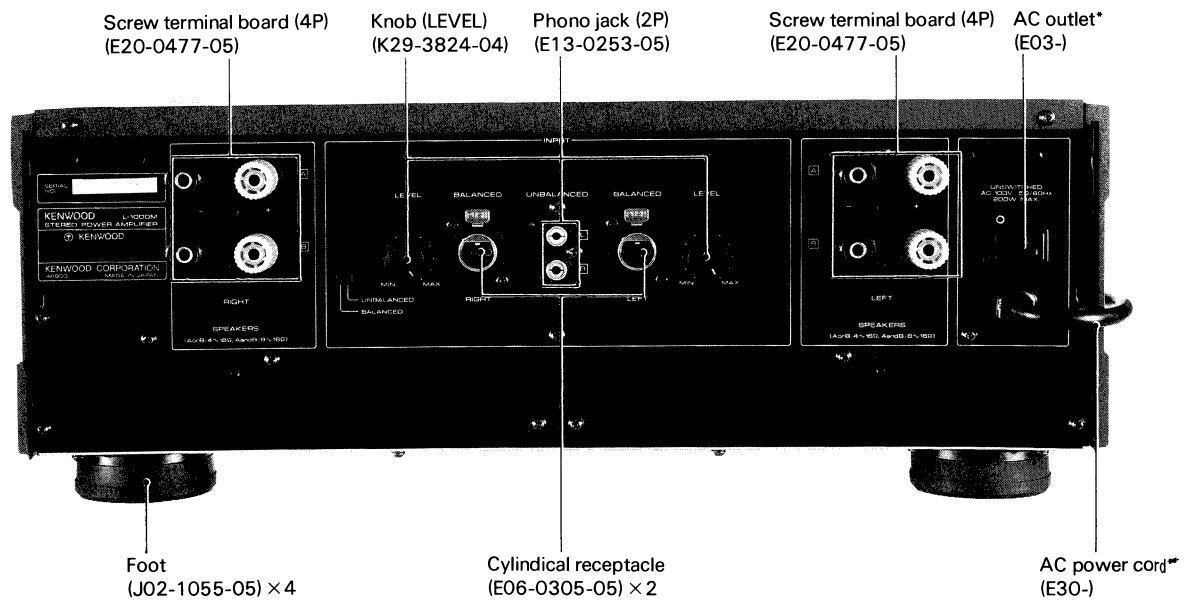
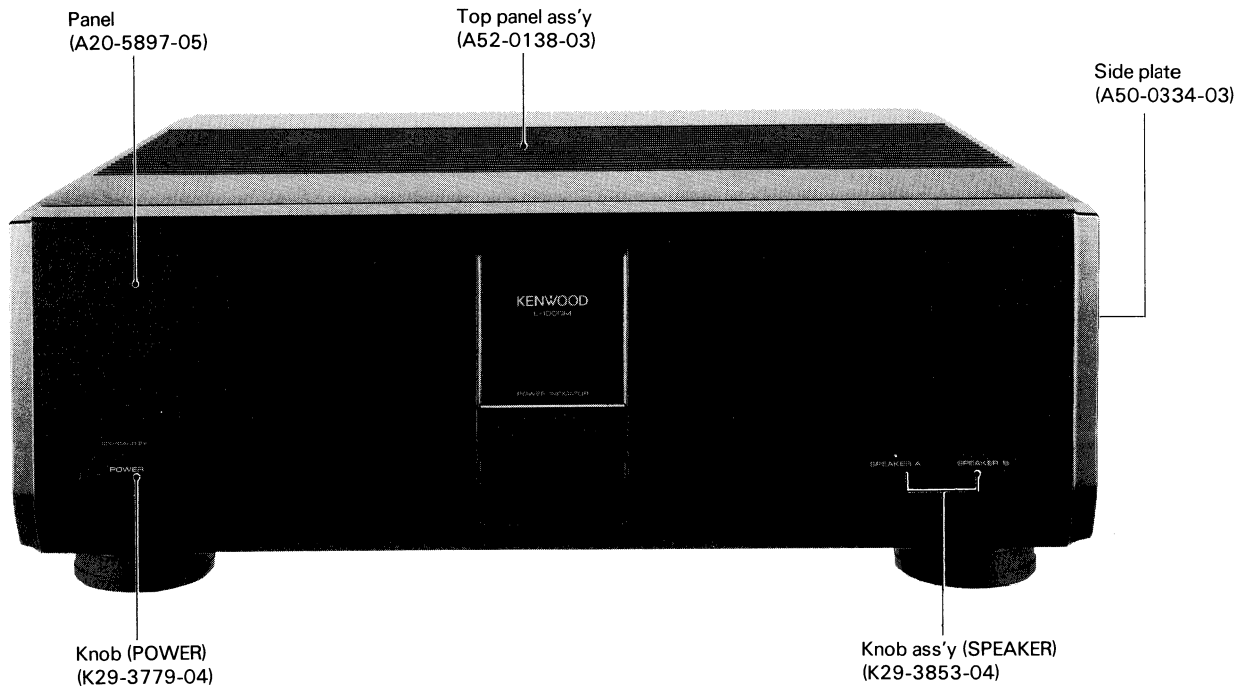


STEREO POWER AMPLIFIER

L-1000M

SERVICE MANUAL

KENWOOD



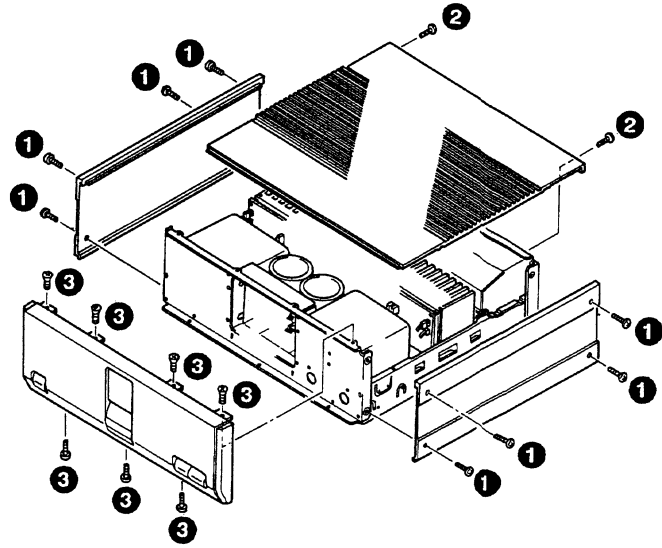
* Refer to parts list on page 16.

L-1000M

DISASSEMBLY FOR REPAIR

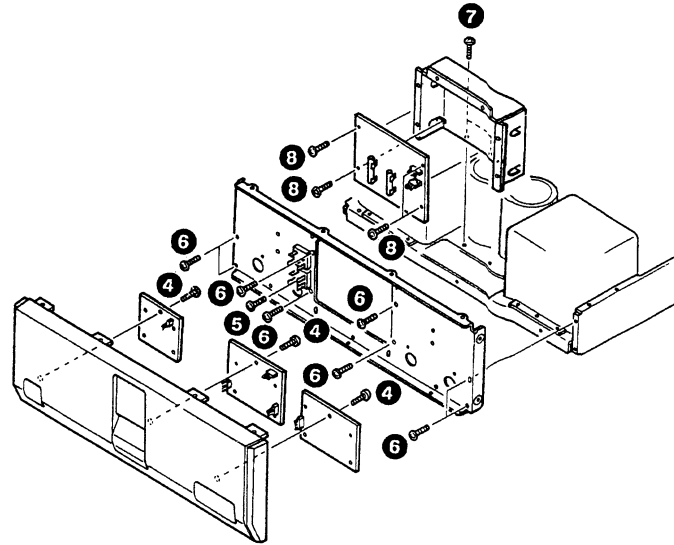
1. Detaching Method of Case and Front Panel:

1. Detach 8 pieces of screws (1) of the panels on the both sides.
2. Detach 2 pieces of screws (2) of the upper surface cover.
3. Detach 7 pieces of screws (3) of the control panel.



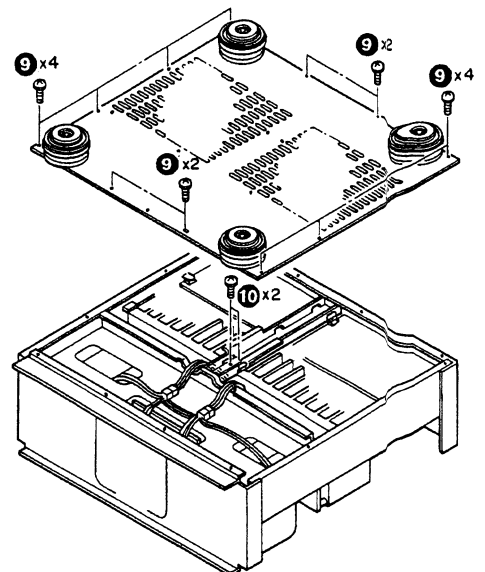
2. Detaching Method of X13 B/5, C/5, D/5 and E5 (attached units):

1. Detach 9 pieces of screws (4) of each unit.
2. Detach 2 pieces of screws (5).
3. Detach 8 pieces of screws (6) which are retaining the chassis.
4. Detach 2 pieces of screws (7) of the cover.
5. Detach 4 pieces of screws (8) of the unit.



3. Detaching Method of X09 (Audio Unit):

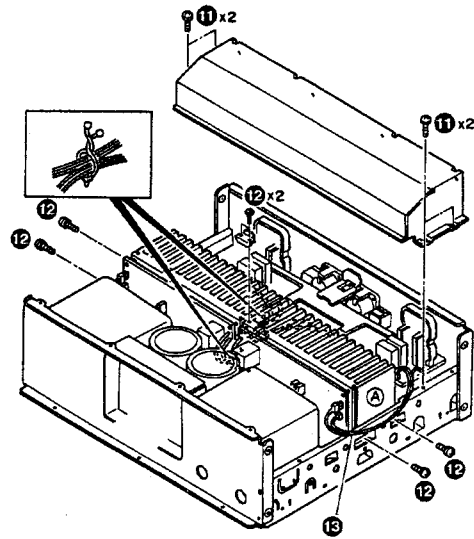
1. Turning the main body upside down, detach 12 pieces of screws (9) of bottom plate.
(Note: Place the body upright to fit the bottom plate.)
2. Detach 2 pieces of screws (10) which are retaining radiating plate to the frame.



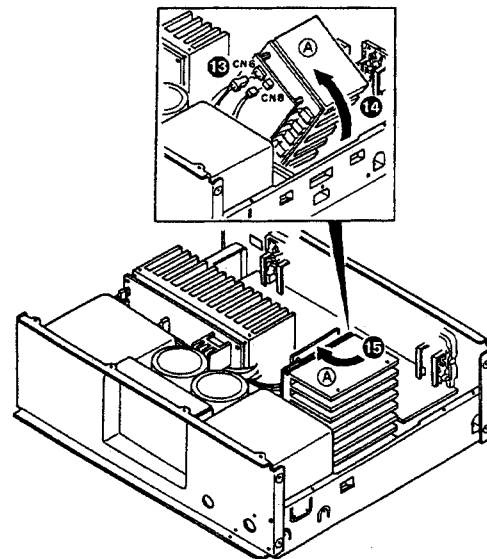
L-1000M

DISASSEMBLY FOR REPAIR

- Detach 4 pieces of screws (11) of the cover.
- Detach 6 pieces of screws (12) of the radiator.

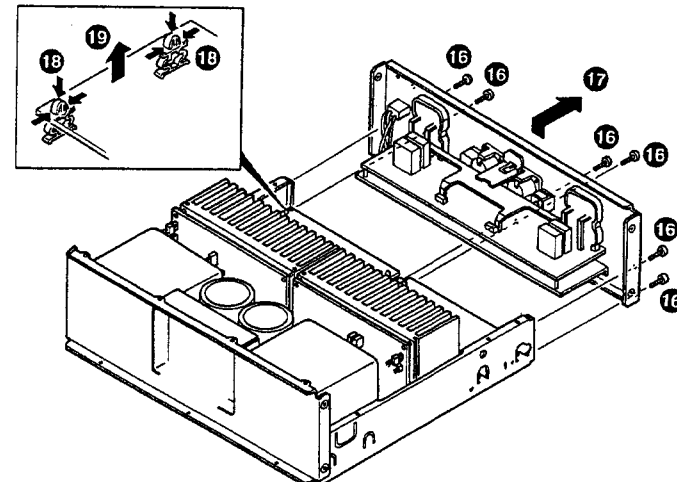


- Lift the outer side (side A) of the radiator. At this time, detaching plugs CN5, 7(L) or CN6, 8(R) (13) makes it easier to lift. Then turn the radiator so that the PCB will face inside (14, 15).



- 4. Detaching Method of X13 5/A (attached unit)**
Detach 6 pieces of screws (16) of the back panel and detach the unit together with the back panel toward the direction of the arrow mark (17).

- 5. Detaching Method of X07 (main amplifying unit)**
Pushing the clicks in the 8 places of the unit holder (18) toward the direction of the arrow mark (19), detach the unit toward the direction of the arrow mark.



L-1000M

ADJUSTMENT

Sequence	Item	Input side setting	Output side setting	Amp setting	Adjusting place	Adjusting method	Figure
Unless otherwise noted, each switch should be set as follows: POWER:ON SPEAKER:B REC OUT:OFF Selector:PHONO							
1	Silence current	—	Between CN9 1 and 2 and between CN9 3 and 4/ Between CN10 1 and 2 and between CN10 3 and 4	VOLUME:0	VR3,VR1 VR2,VR4	9mV	(a)

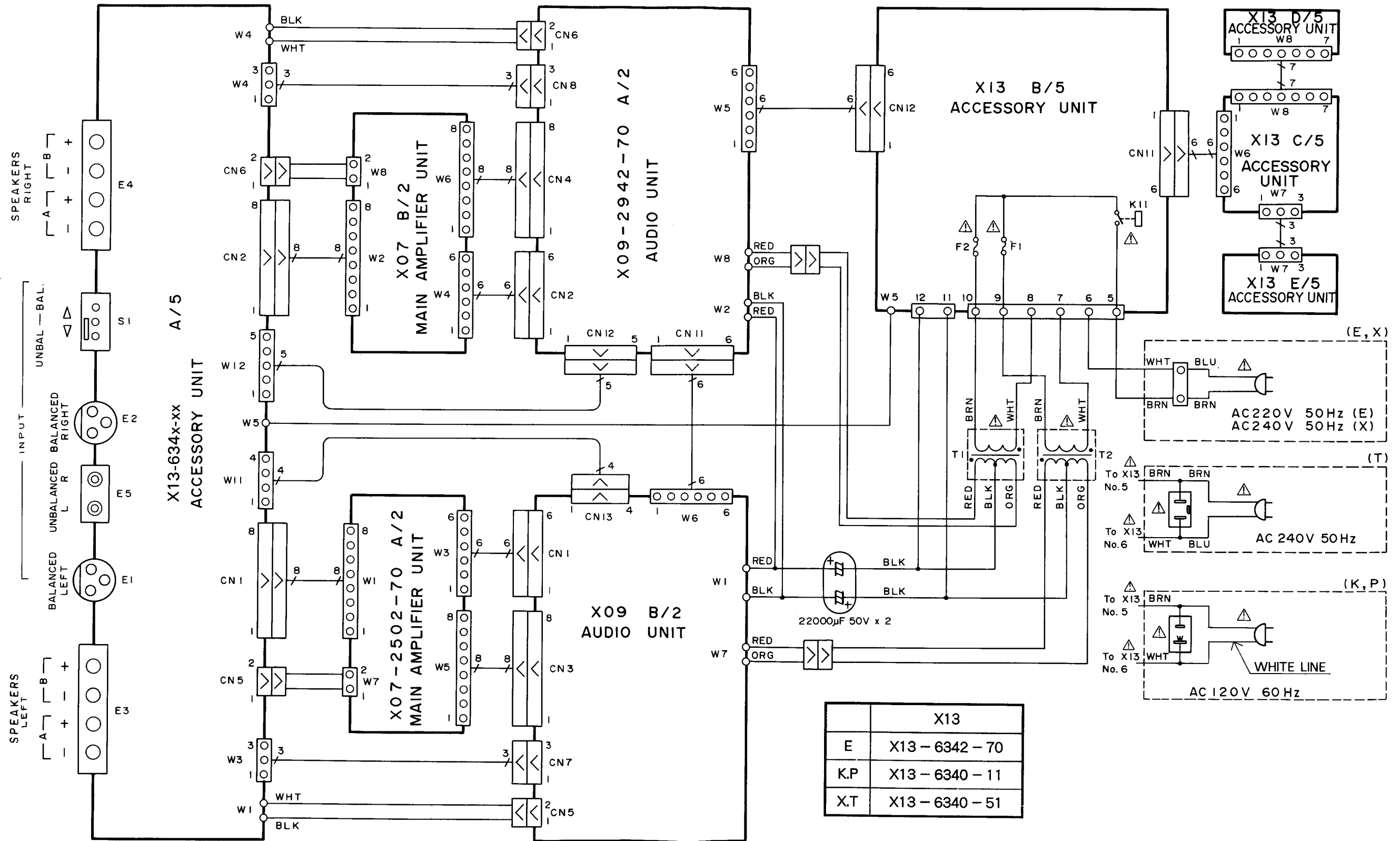
RÉGLAGE

Ordre	Item	Côté entrée Mise en fonctionnement	Côté sortie Mise en fonctionnement	Amplificateur Mise en fonctionnement	Point à régler	Méthode de réglage	Figure
Mettre les interrupteurs correspondants en fonctionnement dans les conditions suivantes, sauf cas spécifié, Puissance:Mise en marche Haut-parleur:B REC OUT:Enregistrement Sélécteur:PHONO							
1	Courant sans signal	—	CN9 Entre 1 et 2, Entre 3 et 4 CN10 Entre 1 et 2, Entre 3 et 4	VOLUME:0	VR3,VR1 VR2,VR4	9mV	(a)

EINSTELLUNGEN

Vorbereitung	Punkt	Einstellung am Eingang	Einstellung am Ausgang	Einstellung am Verstärker	Einstellteil	Einstellverfahren	Diagramm
Falls nicht anders angegeben, die nachstehenden Bedienteile wie folgt einstellen: Netzschalter POWER:ON Lautsprecherschalter SPEAKER:B Tonbandausgang REC OUT:OFF Programmquellenwähler:PHONO							
1	Kein Signalpegel	—	CN 9, zwischen 1 – 2 und zwischen 3 – 4 CN 10, zwischen 1 – 2 und zwischen 3 – 4	Lautstärkereglern VOLUME:0	VR3,VR1 VR2,VR4	9mV	(a)

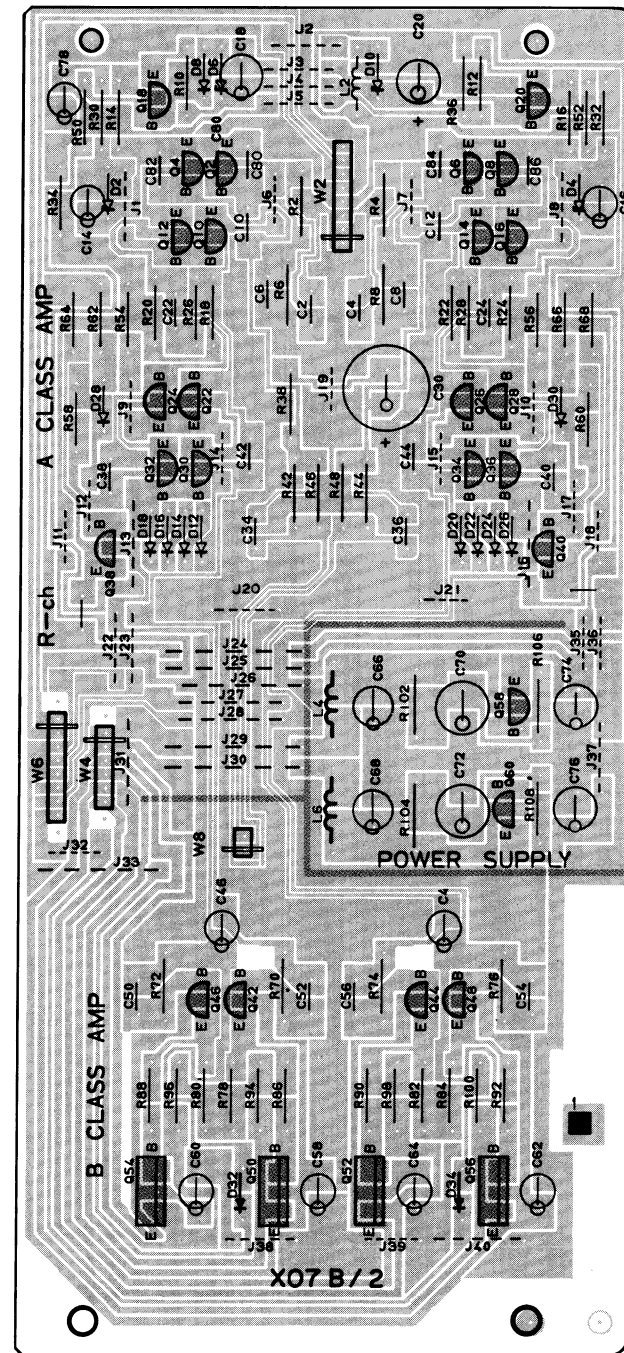
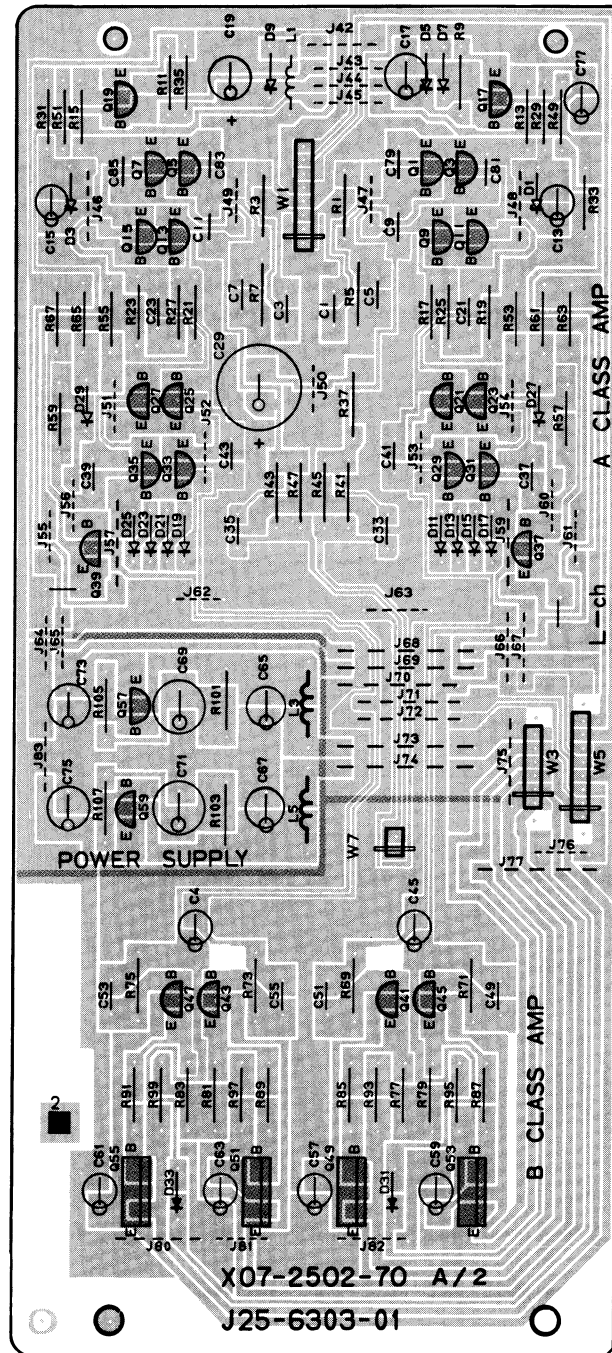
L-1000M L-1000M



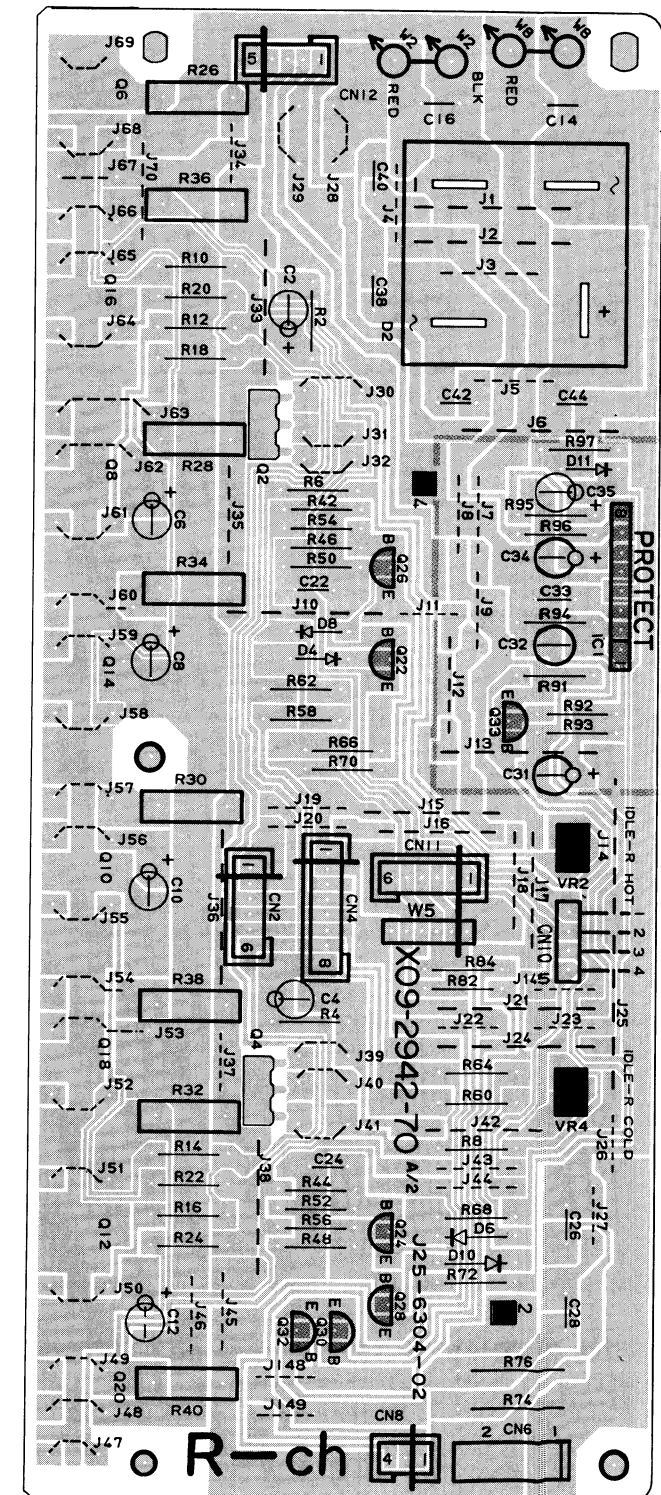
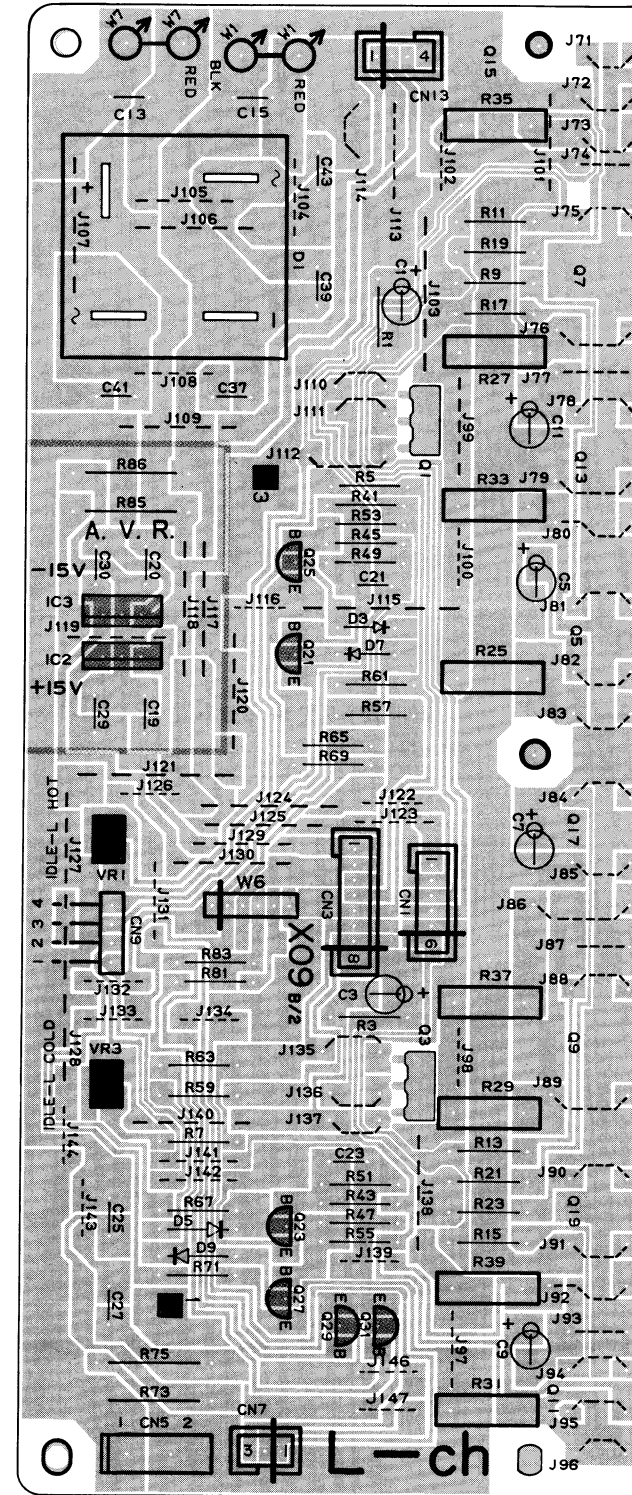
X13	
E	X13 - 6342 - 70
K.P	X13 - 6340 - 11
X.T	X13 - 6340 - 51

PC BOARD (Component Side View)

MAIN AMPLIFIER UNIT

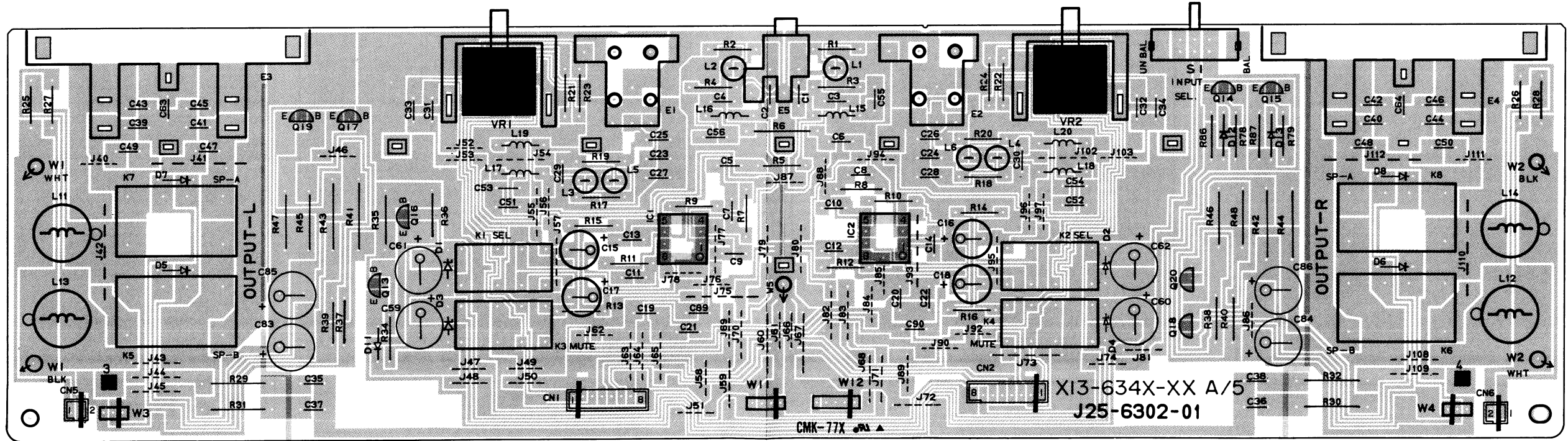
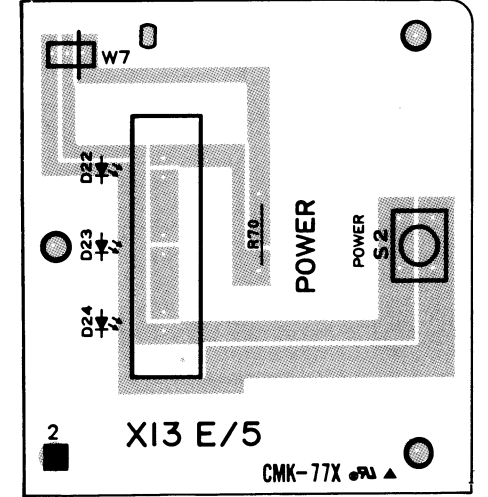
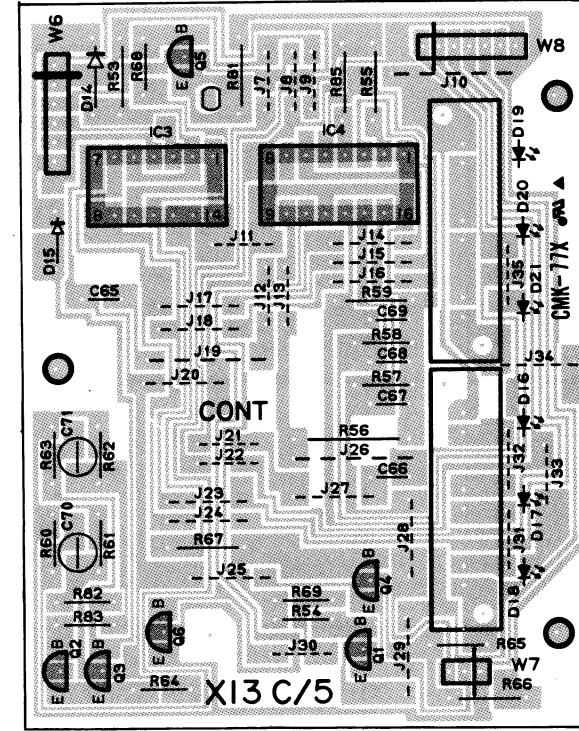
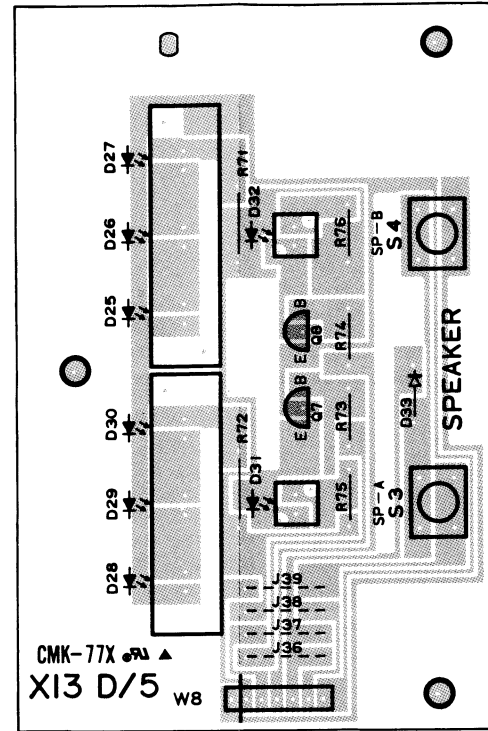
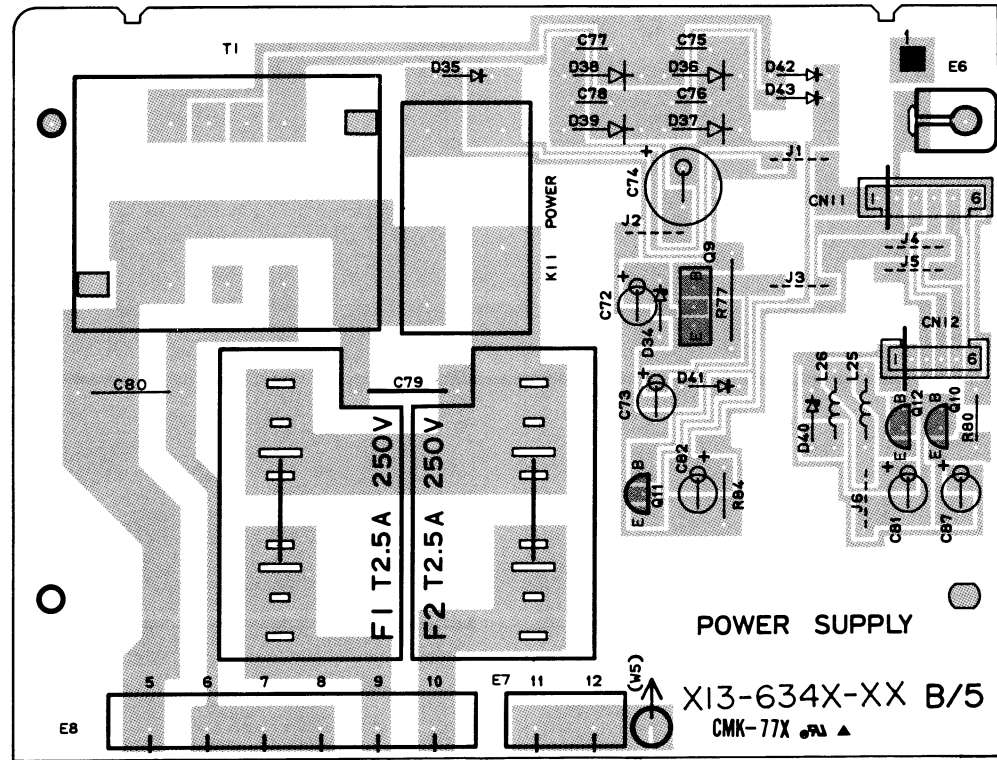


AUDIO UNIT

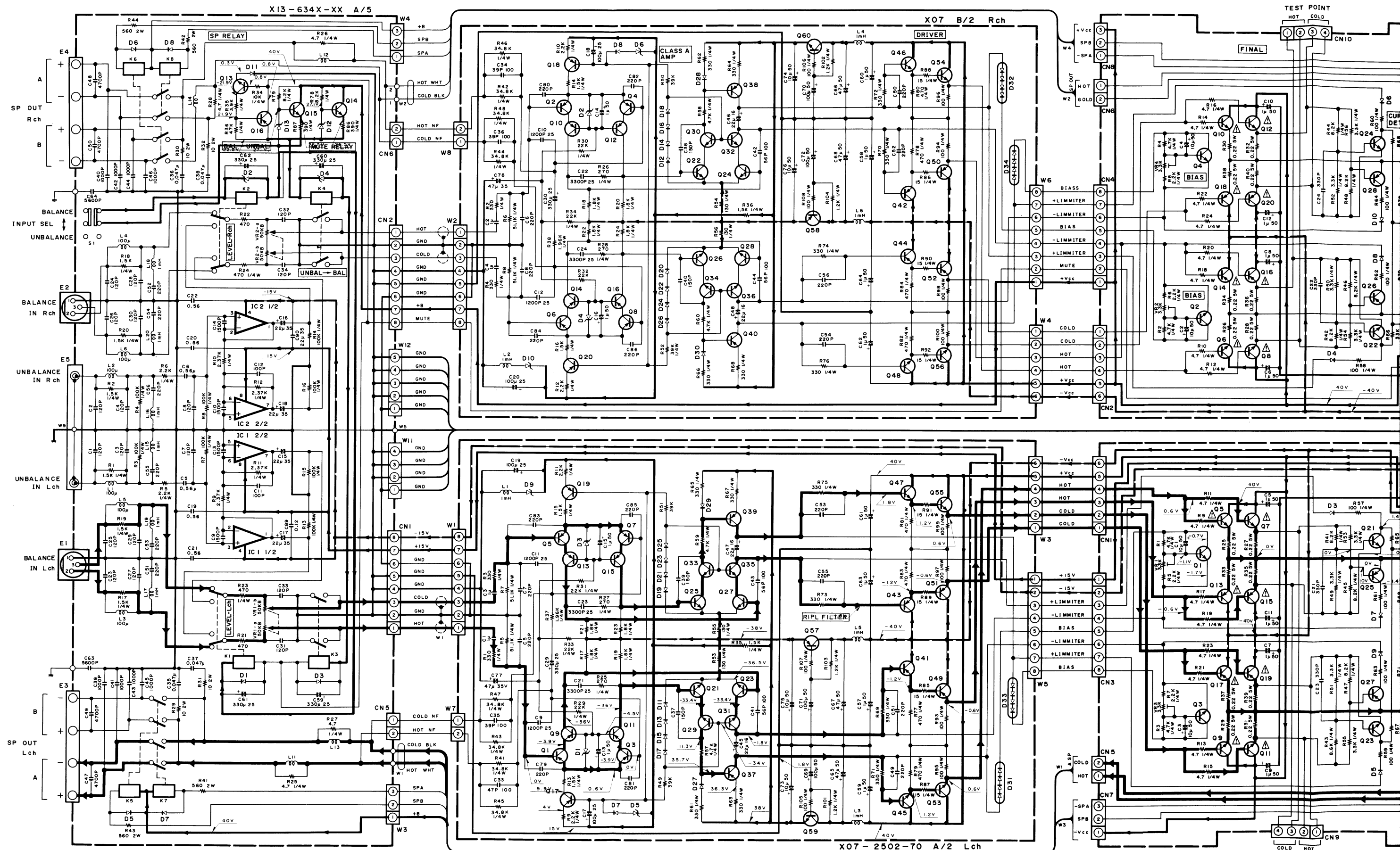


Refer to the schematic diagram for the values of resistors and capacitors.

PC BOARD ACCESSORY UNIT

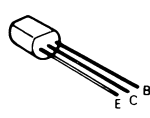


Refer to the schematic diagram for the values of resistors and capacitors.

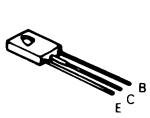


2SA1123
2SA1124
2SA1534A
2SA733(A)
2SA992

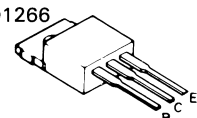
2SC1845
2SC2631
2SC2632
2SC3940A
2SC945(A)



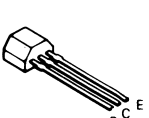
2SA1110
2SC2590



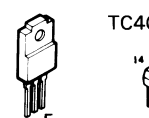
2SD1266



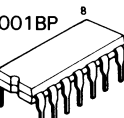
2SA933S
2SC1740S



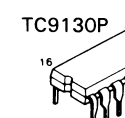
2SA1535
2SC3944



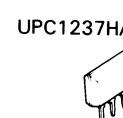
TC4001BP



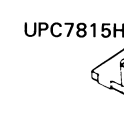
TC9130P



UPC1237HA



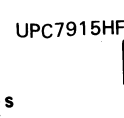
UPC7815HF



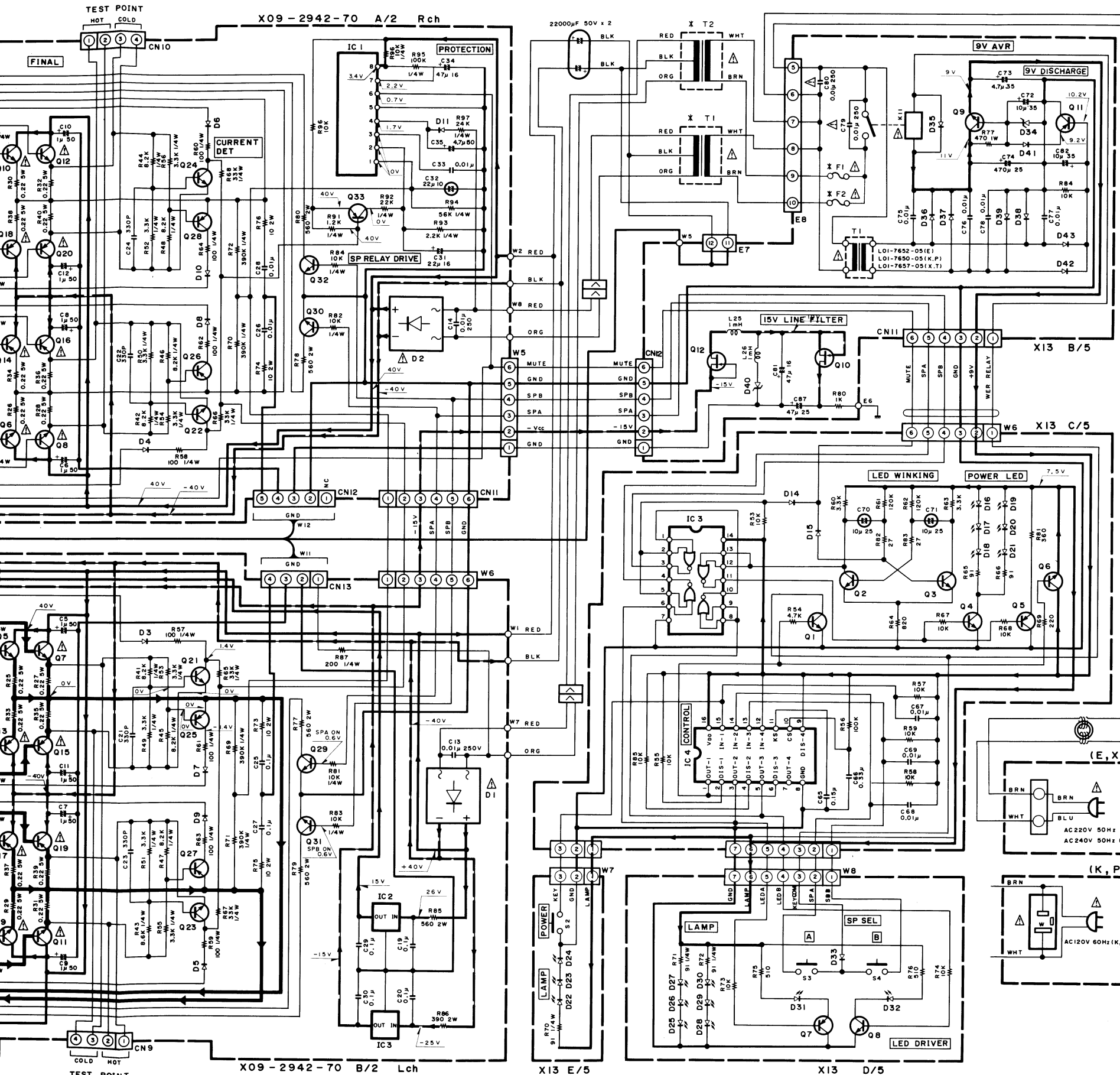
2SK163



UPC7915HF



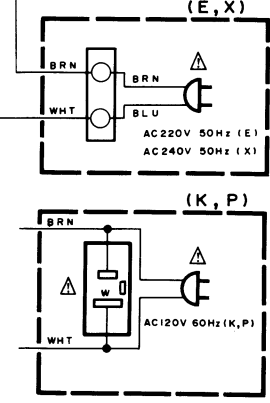
DC
ter
w
tions



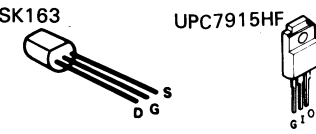
- (X13)
- IC 1, 2 : NJM4580D-D
 - IC 3 : TC4001BP
 - IC 4 : TC9130P
 - Q1~4, 6, 8 : 2SC945 (A) (Q.P.)
 - 13~15 : 2SC1740S (Q.R.)
 - Q5, 7, 11 : 2SA733 (A) (Q.P.)
 - or 2SA933S (Q.R.)
 - Q9 : 2SD1266
 - Q10 : 2SK163 (L)
 - Q12 : 2SC263 (R.S.)
 - Q16 : 2SA1534A (R.S.)
 - D1~4 : RD11ES (B)
 - or HZS11N (B)
 - D5~8, 35, 41~43 : HZS24N (B)
 - or RD24ES (B)
 - D11, 14, 15, 33 : HSS104
 - or HSS133
 - D12, 13 : RD51JS (B2)
 - or HZS5JS (B2)
 - D16~21 : B30-1286-05
 - D22~32 : B30-1283-05
 - D34, 40 : RD10ES (B)
 - or HSS10N (B)
 - D36, 39 : S5566B
- (X07)
- Q1~16 : 2SA992 (F.E.)
 - Q17~20 : 2SA733 (A) (Q.P.)
 - or 2SA933S (Q.R.)
 - Q21~28 : 2SC1845 (F.E.)
 - Q29~36 : 2SC263 (R.S.)
 - Q37~40 : 2SA1124 (R.S.)
 - Q41~44 : 2SA1123 (R.S.)
 - Q45~48 : 2SC2631 (R.S.)
 - Q49~52 : 2SA1535 (Q.R.)
 - Q53~56 : 2SC3944 (Q.R.)
 - Q57, 58 : 2SA1110 (Q.R.)
 - Q59, 60 : 2SC2590 (Q.R.)
 - D1~6 : RD51JS (B2)
 - or HZS5.15 (B2)
 - D7, 8 : HSS104
 - 11~30 : or ISS133
 - D9, 10 : RD15JS (B)
 - or HZS15S (B)
 - D31, 34 : MA27Q (A)
- (X09)
- IC 1 : JPC1237HA
 - IC 2 : JPC7815HF
 - IC 3 : JPC7915HF
 - Q1~4 : 2SC4137F19 (V.W.)
 - Q5~12 : 2SD1718*5
 - Q13~20 : 2SB1163*5
 - Q21~24 : 2SC1845 (F.E.)
 - Q25~28, 33 : 2SA992 (F.E.)
 - Q29~32 : 2SC945 (A) (Q.P.)
 - or 2SC1740S (Q.P.)
 - D1, 2 : S15VB20
 - D3~11 : HSS104A or ISS131

T1, T2	X13	F1, F2
E LOI-8932-05	X13-6342-70	250V T2.5A
K.P LOI-8931-05	X13-6340-11	250V 5A
X.T LOI-8937-05	X13-6340-51	250V T2.5A

— SIGNAL LINE
 — +B LINE
 - - - -B LINE



CAUTION: For continued safety, replace safety critical components only with manufacturer's recommended parts (refer to parts list). ⚠ Indicates safety critical components. To reduce the risk of electric shock, leakage-current or resistance measurements shall be carried out (exposed parts are acceptably insulated from the supply circuit) before the appliance is returned to the customer.



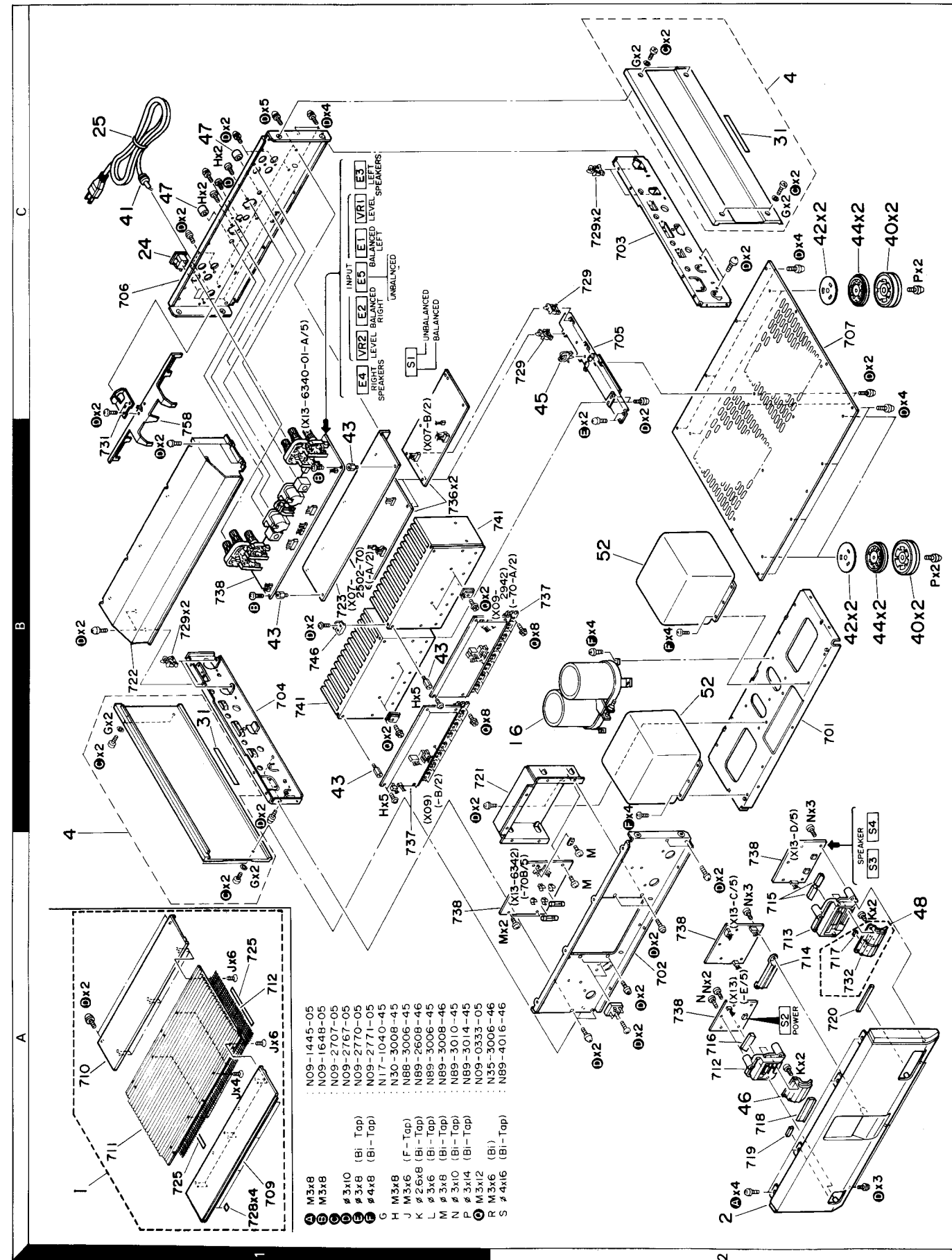
DC voltages are as measured with a high impedance voltmeter with no signal input. Values may vary slightly due to variations between individual instruments or/and units.

Les tensions c.c. doivent être mesurées avec un voltmètre à haute impédance sans signal d'entrée. Les valeurs peuvent différer légèrement du fait des variations inhérentes aux appareils et aux instruments de mesure individuels.

Die angegebenen Gleichspannungswerte wurden mit einem hochohmigen Spannungsmesser ohne Eingangssignal gemessen. Dabei schwanken die Meßwerte aufgrund von Unterschieden zwischen einzelnen Instrumenten oder Geräten u. U. geringfügig.

L-1000M L-1000M

EXPLODED VIEW (UNIT)



Parts with the exploded numbers larger than 700 are not supplied.

PARTS LIST

× New Parts

Parts without Parts No. are not supplied.

Les articles non mentionnés dans le Parts No. ne sont pas fournis.

Teile ohne Parts No. werden nicht geliefert.

Ref. No.	Address	New Parts	Parts No.	Description	Destination	Remarks
参照番号	位置	新	部品番号	部品名 / 規格	仕向	備考
L-1000M						
1	1A	*	A52-0138-03	TOP PLATE ASSY		
2	2A	*	A20-5897-05	PANEL		
4	1B, 2C	*	A50-0334-03	SIDE PLATE ASSY		
-			B46-0092-03	WARRANTY CARD	K	
-			B46-0096-13	WARRANTY CARD	X	
-			B46-0121-03	WARRANTY CARD	P	
-			B46-0122-13	WARRANTY CARD	E	
-			B46-0143-13	WARRANTY CARD	T	
-		*	B50-9855-00	INSTRUCTION MANUAL (ENGLISH)		
-		*	B50-9856-00	INSTRUCTION MANUAL (FRENCH)	EP	
-		*	B50-9857-00	INSTRUCTION MANUAL (G, D, I)	E	
-		*	B58-0803-13	CAUTION CARD	E	
16	2B	*	C90-1782-15	ELECTROLYTIC CAPACITOR ASSY		
20	1C	*	D10-2355-05	LEVER		
23	1C		E03-0049-05	AC PLUG	T	
24	1C		E03-0041-05	AC OUTLET	KP	
24	1C		E03-0085-05	AC OUTLET	T	
25	1C		E30-0978-05	AC POWER CORD	KP	
25	1C		E30-1341-05	AC POWER CORD	X	
25	1C		E30-1416-05	AC POWER CORD	T	
25	1C	*	E30-2580-05	AC POWER CORD	E	
F1 , 2			F05-2525-05	FUSE (SEMKO) (250V T2.5A)	EXT	
F1 , 2			F06-5022-05	FUSE (UL) (250V 5A)	KP	
31	1B, 2C	*	G10-0155-04	NON-WOVEN FABRIC		
-		*	H01-8633-04	ITEM CARTON CASE		
-		*	H10-3892-02	POLYSTYRENE FOAMED FIXTURE (R)		
-		*	H10-3893-02	POLYSTYRENE FOAMED FIXTURE (L)		
-		*	H25-0232-04	PROTECTION BAG (235X350X0.03)		
-		*	H25-0383-04	PROTECTION BAG		
40	2B, 2C	*	J02-1055-05	FOOT		
41	1C		J41-0024-15	POWER CORD BUSHING	E	
41	1C		J42-0083-05	POWER CORD BUSHING	KPXT	
42	2B, 2C		J30-0270-04	SPACER		
43	1C	*	J32-0329-05	HEXAGON BOSS		
44	2B, 2C	*	J39-0154-04	SPACER		
45	2C		J11-0165-05	WIRE BAND		
-			J61-0307-05	WIRE BAND		
46	2A	*	K29-3779-04	KNOB POWER		
47	1C	*	K29-3824-04	KNOB LEVEL		
48	2A	*	K29-3853-04	KNOB ASSY SPEAKER		
52	2B	*	L01-8931-05	POWER TRANSFORMER	KP	
52	2B	*	L01-8932-05	POWER TRANSFORMER	E	
52	2B	*	L01-8937-05	POWER TRANSFORMER	XT	
53	1C	*	L92-0025-05	FERRITE CORE		
A	2A		N09-1445-05	SET SCREW (M3X8 サラ)		
B	1C		N09-1648-05	MACHINE SCREW (M3X8 ハンネサマカネツキ)		
C	1B, 2C	*	N09-2707-05	DRESSED SCREW		
D	1B, 1C	*	N09-2767-05	SEMS (TAPTITE SCREW) (3X10 フレシ)		
E	2C	*	N09-2770-05	TAPTITE SCREW (3X8 ハンソットB)		

E: Scandinavia & Europe K: USA P: Canada

U: PX (Far East, Hawaii) T: England M: Other Areas

UE: AAFES (Europe) X: Australia

⚠ indicates safety critical components.

PARTS LIST

× New Parts

Parts without Parts No. are not supplied.

Les articles non mentionnés dans le Parts No. ne sont pas fournis.

Teile ohne Parts No. werden nicht geliefert.

Ref. No. 参照番号	Address 位置	New Parts 新	Parts No. 部品番号	Description 部品名 / 規格	Desti- nation 仕 向	Re- marks 備考
F	2B	*	N09-2771-05	SEMS (TAPTITE SCREW) (4X8mm)		
G	1B, 2C	*	N17-1040-45	TOOTHED LOCK WASHER		
H	1C		N30-3008-45	PAN HEAD MACHINE SCREW		
J	1A	*	N88-3006-45	FLAT HEAD TAPTITE SCREW		
K	2A		N89-2608-46	BINDING HEAD TAPTITE SCREW		
L	1A		N89-3006-45	BINDING HEAD TAPTITE SCREW		
M	1B, 2B		N89-3008-46	BINDING HEAD TAPTITE SCREW		
N	2A		N89-3010-45	BINDING HEAD TAPTITE SCREW		
P	2B, 2C		N89-3014-45	BINDING HEAD TAPTITE SCREW		
S	1A		N89-4016-46	BINDING HEAD TAPTITE SCREW		
T	1C		N29-0067-05	PUSH RIVET (3.5X4.5)	EX	
U	1C		N14-0123-05	NUT		
D101, 102			S15VB20	DIODE		
MAIN AMPLIFIER UNIT (X07-2502-70)						
C1 -4			CF92FV1H105J	MF 1.0UF J		
C5 -8			CF92FV1H221K	MF 220PF K		
C9 -12			C91-0654-05	CERAMIC 0.0012UF K		
C13 -16			CE04KW1H010M	ELECTRO 1.0UF 50WV		
C17 -20			CE04KW1E101M	ELECTRO 100UF 25WV		
C21 -24			C91-0664-05	CERAMIC 0.0033UF K		
C29 ,30			C90-1805-05	ELECTRO 330UF 25WV		
C31 ,32			CF92FV1H101K	MF 100PF K		
C33 -36			C91-1418-05	MICA 39PF K		
C37 -40			CF92FV1H151K	MF 150PF K		
C41 -44			C91-1420-05	MICA 56PF K		
C45 -48			CE04KW1C220M	ELECTRO 22UF 16WV		
C49 -56			CC45FSL1H221J	CERAMIC 220PF J		
C57 -64			CE04KW1H010M	ELECTRO 1.0UF 50WV		
C65 -68			CE04KW1H470M	ELECTRO 47UF 50WV		
C69 -72			CE04KW1H101M	ELECTRO 100UF 50WV		
C73 -76		*	C90-1806-05	ELECTRO 10UF 50WV		
C77 ,78			CE04KW1V470M	ELECTRO 47UF 35WV		
C79 -86			CF92FV1H221K	MF 220PF K		
L1 ,2			L40-1021-14	SMALL FIXED INDUCTOR(1.0MH,K)		
L3 -6			L40-1021-11	SMALL FIXED INDUCTOR(1.0MH,K)		
R5 -8		*	RN14BK2E5112FTS	RN 51.1K F 1/4W		
R37 ,38			RN14BK2E1961FTS	RN 1.96K F 1/4W		
R41 -48		*	RN14BK2E3482FTS	RN 34.8K F 1/4W		
R53 -56		*	RD14AB2E131JTS	FL-PROOF RD 130 J 1/4W		
R57 -60		*	RD14AB2E472JTS	FL-PROOF RD 4.7K J 1/4W		
R61 -76			RD14AB2E331JTS	FL-PROOF RD 330 J 1/4W		
R77 -84			RD14AB2E471JTS	FL-PROOF RD 470 J 1/4W		
R85 -92			RD14AB2E150JTS	FL-PROOF RD 15 J 1/4W		
R93 -100			RD14AB2E101JTS	FL-PROOF RD 100 J 1/4W		
R101-104			RD14AB2E122JTS	FL-PROOF RD 1.2K J 1/4W		
R105-108			RD14AB2E101JTS	FL-PROOF RD 100 J 1/4W		
D1 -6			HZS5.1S(B2)	ZENER DIODE		
D1 -6			RD5.1JS(B2)	ZENER DIODE		
D7 ,8			HSS104	DIODE		
D7 ,8			1SS133	DIODE		
D9 ,10			HZS15S(B)	ZENER DIODE		
D9 ,10			RD15JS(B)	ZENER DIODE		

E: Scandinavia & Europe K: USA P: Canada

U: PX(Far East, Hawaii) T: England M: Other Areas

UE: AAFES(Europe) X: Australia

△ indicates safety critical components.

PARTS LIST

× New Parts

Parts without Parts No. are not supplied.

Les articles non mentionnés dans le Parts No. ne sont pas fournis.

Teile ohne Parts No. werden nicht geliefert.

Ref. No. 参照番号	Address 位置	New Parts 新	Parts No. 部品番号	Description 部品名 / 規格	Desti- nation 仕 向	Re- marks 備考
D11 -30			HSS104	DIODE		
D11 -30			1SS133	DIODE		
D31 -34			MA27Q(A)	VARISTOR		
Q1 -16			2SA992(F,E)	TRANSISTOR		
Q17 -20			2SA733(A)(Q,P)	TRANSISTOR		
Q17 -20			2SA933S(Q,R)	TRANSISTOR		
Q21 -28			2SC1845(F,E)	TRANSISTOR		
Q29 -36			2SC2632(R,S)	TRANSISTOR		
Q37 -40			2SA1124(R,S)	TRANSISTOR		
Q41 -44			2SA1123(R,S)	TRANSISTOR		
Q45 -48			2SC2631(R,S)	TRANSISTOR		
Q49 -52			2SA1535(R,S)	TRANSISTOR		
Q53 -56			2SC3944(R,S)	TRANSISTOR		
Q57 ,58			2SA1110(R,S)	TRANSISTOR		
Q59 ,60			2SC2590(R,S)	TRANSISTOR		
AUDIO UNIT (X09-2942-70)						
C1 -4			CE04KW1H100M	ELECTRO 10UF 50WV		
C5 -12			CE04KW1H010M	ELECTRO 1.0UF 50WV		
C19 ,20			CF92FV1H104J	MF 0.10UF J		
C21 -24			CC45FSL1H331J	CERAMIC 330PF J		
C25 -30			CF92FV1H104J	MF 0.10UF J		
C31		*	C90-1798-05	ELECTRO 22UF 16WV		
C32		*	C90-1797-05	ELECTRO 22UF 10WV		
C33			CF92FV1H103J	MF 0.010UF J		
C34		*	C90-1799-05	ELECTRO 47UF 16WV		
C35			CE04KW1H4R7M	ELECTRO 4.7UF 50WV		
43	1B	*	J32-0329-05	HEXAGON BOSS		
H	1B		N89-3008-45	BINDING HEAD TAPTITE SCREW		
Q	1B		N09-0333-05	TAPPING SCREW (3X12, +ロツカクサ)		
R	1B		N35-3006-46	BINDING HEAD MACHINE SCREW		
S	1B	*	N89-4016-46	BINDING HEAD TAPTITE SCREW		
R9 -24			RD14AB2E4R7JTS	FL-PROOF RD 4.7 J 1/4W		
R25 -40			R92-0167-05	METAL-PLATE 0.22 K 5W		
R57 -64			RD14AB2E101JTS	FL-PROOF RD 100 J 1/4W		
R73 -76			RS14DB3D100JTE	FL-PROOF RS 10 J 2W		
R85			RS14DB3D561JTE	FL-PROOF RS 560 J 2W		
R86			RS14DB3D391JTE	FL-PROOF RS 390 J 2W		
VR1 -4			R12-1088-05	TRIMMING POT. (3.3K 37)		
D1 ,2			S15VB20	DIODE		
D3 -11			HSS104A	DIODE		
D3 -11			1SS131	DIODE		
IC1			UPC1237HA	IC(Power AMP)		
IC2			UPC7815HF	IC(VOLTAGE REGULATOR/ +15V)		
IC3			UPC7915HF	IC(VOLTAGE REGULATOR/ -15V)		
Q1 -4			2SC4137F19(V,W)	TRANSISTOR		
Q5 -12			2SD1718*5	TRANSISTOR		
Q13 -20			2SB1163*5	TRANSISTOR		
Q21 -24			2SC1845(F,E)	TRANSISTOR		
Q25 -28			2SA992(F,E)	TRANSISTOR		
Q29 -32			2SC1740S(Q,R)	TRANSISTOR		
Q29 -32			2SC945(A)(Q,P)	TRANSISTOR		
Q33			2SA992(F,E)	TRANSISTOR		

E: Scandinavia & Europe K: USA P: Canada

U: PX(Far East, Hawaii) T: England M: Other Areas

UE: AAFES(Europe) X: Australia

△ indicates safety critical components.

PARTS LIST

× New Parts

Parts without Parts No. are not supplied.

Les articles non mentionnés dans le Parts No. ne sont pas fournis.

Teile ohne Parts No. werden nicht geliefert.

Ref. No. 参照番号	Address 位置	New Parts 新	Parts No. 部品番号	Description 部品名 / 規格	Desti- nation 仕 向	Re- marks 備考
ACCESSORY UNIT (X13-6342-70: E, 0-11:K, P, 0-51:X, T)						
D16 -21		*	B30-1286-05	LED		
D22 -32		*	B30-1283-05	LED		
C1 -4			CF92FV1H121K	MF 120PF K		
C5 ,6			CF92FV1H564J	MF 0.56UF J		
C7 ,8			CF92FV1H121K	MF 120PF K		
C9 ,10			CF92FV1H152J	MF 1500PF J		
C11 ,12			C91-0088-05	POLYSTY 100PF K		
C13 ,14			CF92FV1H152J	MF 1500PF J		
C15 -18		*	C90-1803-05	ELECTRO 22UF 35WV		
C19 -22			CF92FV1H103J	MF 0.010UF J		
C23 -34			CF92FV1H121K	MF 120PF K		
C35 -38			CF92FV1H473J	MF 0.047UF J		
C39 -46			CF92FV1H102J	MF 1000PF J		
C47 -50			CF92FV1H472J	MF 4700PF J		
C51 -56			CF92FV1H221K	MF 220PF K		
C59 -62			CE04KW1E331M	ELECTRO 330UF 25WV		
C63 ,64			CF92FV1H102J	MF 1000PF J		
C65			CF92FV1H154J	MF 0.15UF J		
C66			CF92FV1H334J	MF 0.33UF J		
C67 -69			CK45FF1H103Z	CERAMIC 0.010UF Z		
C70 ,71			C90-1332-05	NP-ELEC 10UF 25WV		
C72			CE04KW1V100M	ELECTRO 10UF 35WV		
C73			CE04KW1V4R7M	ELECTRO 4.7UF 35WV		
C74			CE04KW1E471M	ELECTRO 470UF 25WV		
C75 -78			CK45FF1H103Z	CERAMIC 0.010UF Z		
C79 ,80			C91-0971-05	FILM 0.01UF 250WV		
C81			CE04KW1C470M	ELECTRO 47UF 16WV		
C82			CE04KW1V100M	ELECTRO 10UF 35WV		
C83 -86			CE04KW1E331M	ELECTRO 330UF 25WV		
C87			CE04KW1E470M	ELECTRO 47UF 25WV		
C89 ,90			CF92FV1H124J	MF 0.12UF J		
E1 ,2		*	E06-0305-05	CYLINDRICAL RECEPTACLE BALANCE		
E3 ,4		*	E20-0477-05	SCREW TERMINAL BOARD(4P)SP OUT		
E5		*	E13-0253-05	PHONE JACK (2P) UNBALANCE		
57	1B,2B		J13-0041-05	FUSE CLIP	KP	
57	1B,2B		J13-0054-05	FUSE CLIP	EXT	
L1 -6			L40-1011-47	SMALL FIXED INDUCTOR(100UH,K)		
L11 -14			L39-0188-05	PHASE-COMPENSATION COIL		
L15 -20			L40-1021-14	SMALL FIXED INDUCTOR(1.0MH,K)		
L25 ,26			L40-1021-14	SMALL FIXED INDUCTOR(1.0MH,K)		
T1			L01-7651-05	POWER TRANSFORMER	KP	
T1			L01-7652-05	POWER TRANSFORMER	E	
T1			L01-7657-05	POWER TRANSFORMER	XT	
E	1C	*	N09-2770-05	TAPTITE SCREW (3X8)		
R9 -12		*	RN14BK2E2371FTS	RN 2.37K F 1/4W		
R25 -28			RD14AB2E4R7JTS	FL-PROOF RD 4.7 J 1/4W		
R29 -32			RS14DB3D100JTE	FL-PROOF RS 10 J 2W		
R35			RS14DB3A392JTE	FL-PROOF RS 3.9K J 1W		
R41 -44			RS14DB3D471JTE	FL-PROOF RS 470 J 2W		
R45 -48		*	RS14DB3A272JTE	FL-PROOF RS 2.7K J 1W		

E: Scandinavia & Europe K: USA P: Canada
 U: PX(Far East, Hawaii) T: England M: Other Areas
 UE: AAFES(Europe) X: Australia

⚠ indicates safety critical components.

PARTS LIST

× New Parts

Parts without Parts No. are not supplied.

Les articles non mentionnés dans le Parts No. ne sont pas fournis.

Teile ohne Parts No. werden nicht geliefert.

Ref. No. 参照番号	Address 位置	New Parts 新	Parts No. 部品番号	Description 部品名 / 規格	Desti- nation 仕 向	Re- marks 備考
R77			RS14DB3A471JTE	FL-PROOF RS 470 J 1W		
VR1 ,2		*	R10-4034-05	POTENTIOMETER		
K1 -4			S51-2089-05	MAGNETIC RELAY		
K5 -8			S51-2045-05	MAGNETIC RELAY		
K11			S51-1036-05	MAGNETIC RELAY		
S1			S31-2094-05	SLIDE SWITCH		
S2 -4			S40-1064-05	PUSH SWITCH		
D1 -4			HZS11N(B)	ZENER DIODE		
D1 -4			RD11ES(B)	ZENER DIODE		
D5 -8			HZS24N(B)	ZENER DIODE		
D5 -8			RD24ES(B)	ZENER DIODE		
D11			HSS104	DIODE		
D11			1SS133	DIODE		
D12 ,13		*	HZS5.1JS(B2)	ZENER DIODE		
D12 ,13			RD5.1JS(B2)	ZENER DIODE		
D14 ,15			HSS104	DIODE		
D14 ,15			1SS133	DIODE		
D33			HSS104	DIODE		
D33			1SS133	DIODE		
D34			HZS10N(B)	ZENER DIODE		
D34			RD10ES(B)	ZENER DIODE		
D35			HSS104A	DIODE		
D35			1SS131	DIODE		
D36 -39			S5566B	DIODE		
D40			HZS10N(B)	ZENER DIODE		
D40			RD10ES(B)	ZENER DIODE		
D41 -43			HSS104A	DIODE		
D41 -43		*	1SS131	DIODE		
IC1 ,2			NJM4580D-D	IC		
IC3			TC4001BP	IC(NOR X6)		
IC4			TC9130P	IC(4CH IND CYCLIC TOUCH SWITCH)		
Q1 -4			2SC1740S(Q,R)	TRANSISTOR		
Q1 -4			2SC945(A)(Q,P)	TRANSISTOR		
Q5			2SA733(A)(Q,P)	TRANSISTOR		
Q5			2SA933S(Q,R)	TRANSISTOR		
Q6			2SC1740S(Q,R)	TRANSISTOR		
Q6			2SC945(A)(Q,P)	TRANSISTOR		
Q7			2SA733(A)(Q,P)	TRANSISTOR		
Q7			2SA933S(Q,R)	TRANSISTOR		
Q8			2SC1740S(Q,R)	TRANSISTOR		
Q8			2SC945(A)(Q,P)	TRANSISTOR		
Q9			2SD1266	TRANSISTOR		
Q10			2SK163(L)	FET		
Q11			2SA733(A)(Q,P)	TRANSISTOR		
Q11			2SA933S(Q,R)	TRANSISTOR		
Q12			2SK163(N)	FET		
Q13 -15			2SC1740S(Q,R)	TRANSISTOR		
Q13 -15			2SC945(A)(Q,P)	TRANSISTOR		
Q16			2SA1534A(R,S)	TRANSISTOR		
Q17 -20			2SC3940A(R,S)	TRANSISTOR		

E: Scandinavia & Europe K: USA P: Canada
 U: PX(Far East, Hawaii) T: England M: Other Areas
 UE: AAFES(Europe) X: Australia

⚠ indicates safety critical component.

L-1000M

L-1000M

SPECIFICATIONS

Continuous Power Output

130 watts* per channel minimum RMS, both channels driven, at 8Ω from 20 Hz to 20,000 Hz with no more than 0.006% total harmonic distortion.

150 W+150 W (1 kHz, 0.006%, 8Ω)

155 W+155 W (DIN, 8Ω, 1 kHz)

220 W+220 W (DIN, 4Ω, 1 kHz)

200 W+200 W (EIA, 6Ω)

Dynamic Power . . . 178 W (8Ω), 260 W (4Ω), 330 W (2Ω)

Total Harmonic Distortion . . . 0.006% (20 Hz~20,000 Hz,

130 W, 8Ω)

0.0004%

(1 kHz, 130 W, 8Ω)

Input Sensitivity/Impedance

UNBALANCED 1.0 V/47 kΩ

BALANCED 2.0 V/50 kΩ

Frequency Response . . . 5 Hz~100,000 Hz, +0 dB, -3 dB

Signal to Noise Ratio

UNBALANCED 115 dB (IHF'66)/95 dB

BALANCED 125 dB (IHF'66)/101 dB

Damping Factor 130 (50 Hz)

General

Power Consumption 7 A (U.S.A. and Canada)

500 W (Others)

Dimensions W: 440 mm (17-3/8")

H: 166 mm (6-9/16")

D: 446 mm (17-9/16")

Weight (Net) 27.0 kg (59.5 lb)

* Measured pursuant to Federal Trade Commission's Trade Regulation rule on Power Output Claims for Amplifier in U.S.A.

KENWOOD follows a policy of continuous advancements in development. For this reason specifications may be changed without notice. DOLBY and the double-D symbol are trademarks of Dolby Laboratories Licensing Corporation. Noise reduction circuit made under license from Dolby Laboratories Licensing Corporation.

KENWOOD poursuit une politique de progrès constants en ce qui concerne le développement. Pour cette raison, les spécifications sont sujettes à modifications sans préavis. La marque DOLBY et le double "D" sont des marques déposées des Dolby Laboratories. Le système de réduction du bruit de fond est fabriqué sous licence des Dolby Laboratories.

KENWOOD strebt ständige Verbesserungen in der Entwicklung an. Daher bleiben Änderungen der technischen Daten jederzeit vorbehalten. DOLBY und Doppel-D-Symbol sind eingetragene Warenzeichen der Dolby Laboratories. Dolby-Rauschunterdrückung mit Lizenz der Dolby Laboratories gefertigt.

Note:

Component and circuitry are subject to modification to insure best operation under differing local conditions. This manual is based on the Europe (E) standard, and provides information on regional circuit modification through use of alternate schematic diagrams, and information on regional component variations through use of parts list.

KENWOOD CORPORATION

Shionogi Shibuya Building, 17-5, 2-chome Shibuya, Shibuya-ku, Tokyo 150, Japan

KENWOOD U.S.A. CORPORATION
2201 East Dominguez Street, Long Beach, CA 90810;
550 Clark Drive, Mount Olive, NJ 07828, U.S.A.

KENWOOD ELECTRONICS CANADA INC.
P.O. BOX 1075, 959 Gana Court, Mississauga, Ontario, Canada L4T 4C2

TRIO-KENWOOD U.K. LIMITED
KENWOOD House, Dwight Road, Watford, Herts., WD1 8EB United Kingdom

KENWOOD ELECTRONICS BENELUX N.V.
Mechelsesteenweg 418 B-1930 Zaventem, Belgium

KENWOOD ELECTRONICS DEUTSCHLAND GMBH
Rembrücker-Str. 15, 6056 Heusenstamm, West Germany

TRIO-KENWOOD FRANCE S.A.
13 Boulevard Ney, 75018 Paris, France

KENWOOD LINEAR S.p.A.
20125, MILANO-VIA ARBE, 50, ITALY

KENWOOD ELECTRONICS AUSTRALIA PTY. LTD. (INCORPORATED IN N.S.W.)
4E Woodcock Place, Lane Cove, N.S.W. 2066, Australia

KENWOOD & LEE ELECTRONICS, LTD.
Wang Kee Building, 4th Floor, 34-37, Connaught Road, Central, Hong Kong