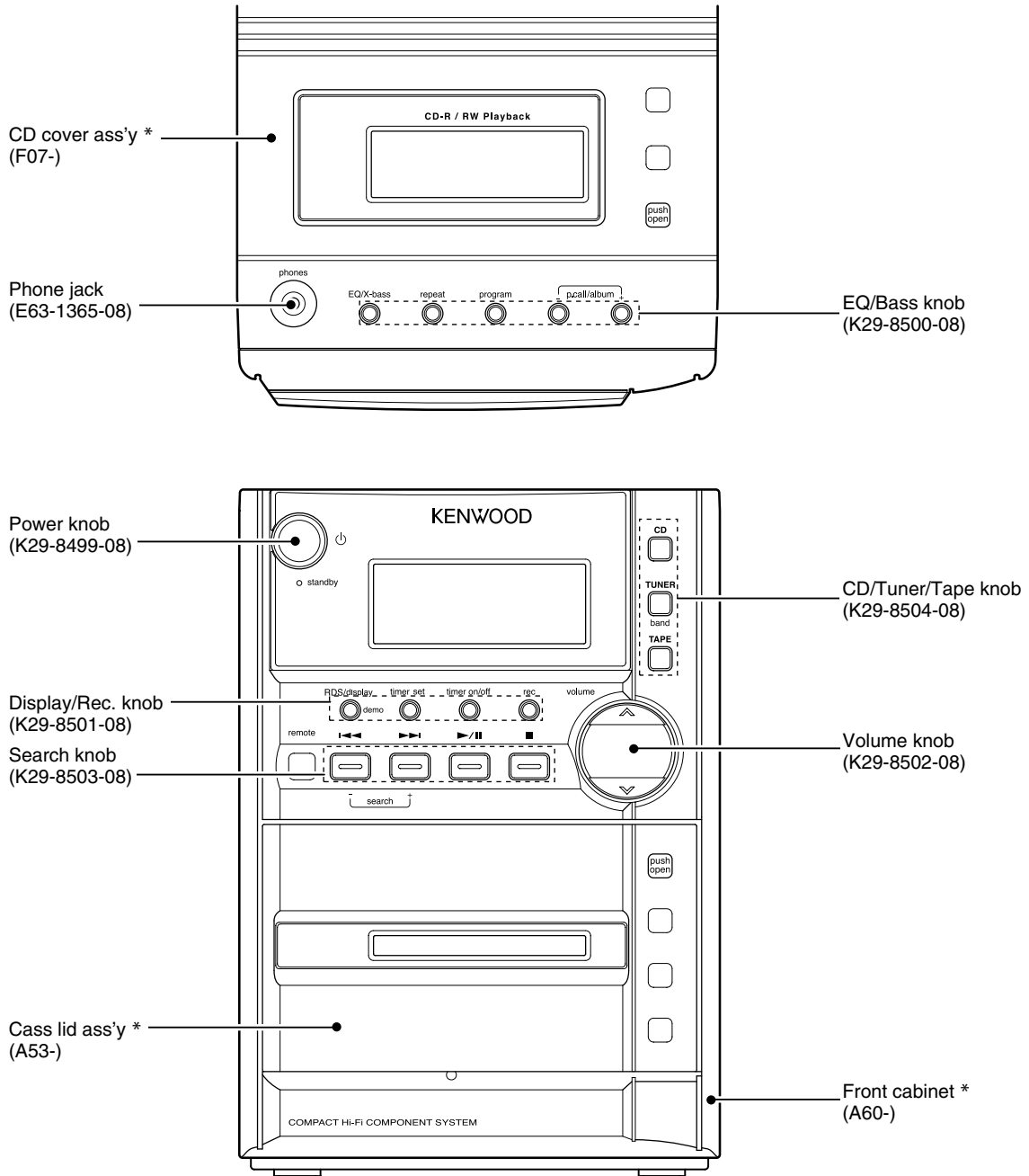


RXD-M47WM-H/M47WM-S LS-M47WM-H/M47WM-S SERVICE MANUAL (HM-437WM)

KENWOOD

Kenwood Corporation

© 2005-9 PRINTED IN KOREA
B51-5961-00 (K/K) 592



* Refer to parts list on page 26.

In compliance with Federal Regulations, following are reproduction of labels on, or inside the product relating to laser product safety.

Caution : No connection of ground line if disassemble the unit. Please connect the ground line on rear panel, PCBs, Chassis and some others.

KENWOOD Corp. certifies this equipment conforms to DHHS Regulations No.21 CFR 1040. 10, Chapter 1, subchapter J.

DANGER : Laser radiation when open and interlock defeated.
AVOID DIRECT EXPOSURE TO BEAM.

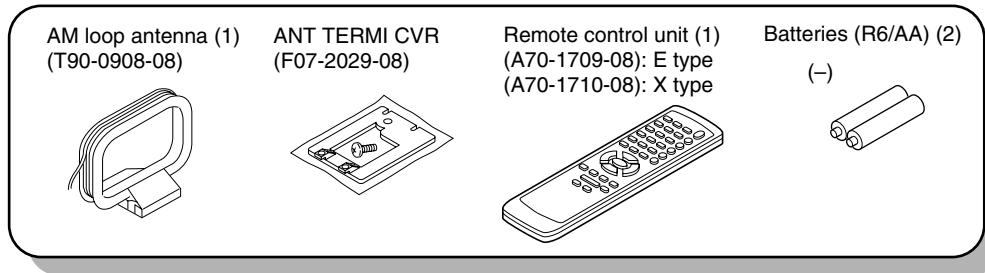
This product uses Lead Free solder.



RXD-M47WM/LS-M47WM

ACCESSORIES / CAUTIONS

Accessories



System configuration

SYSTEM	RECEIVER	SPEAKER
HM-437WM-H	RXD-M47WM-H	LS-M47WM-H
HM437WM-S	RXD-M47WM-S	LS-M47WM-S

Cautions

The marking of products using lasers


**CLASS 1 LASER PRODUCT
LASER KLASSE 1
APPAREIL A LASER DE CLASSE 1
LUOKAN 1 LASERLAITE
KLASS 1 LASERAPPARAT**

The marking this product has been classified as Class 1. It means that there is no danger of hazardous radiation outside the product.

Location: Bottom

Resetting the Microcomputer

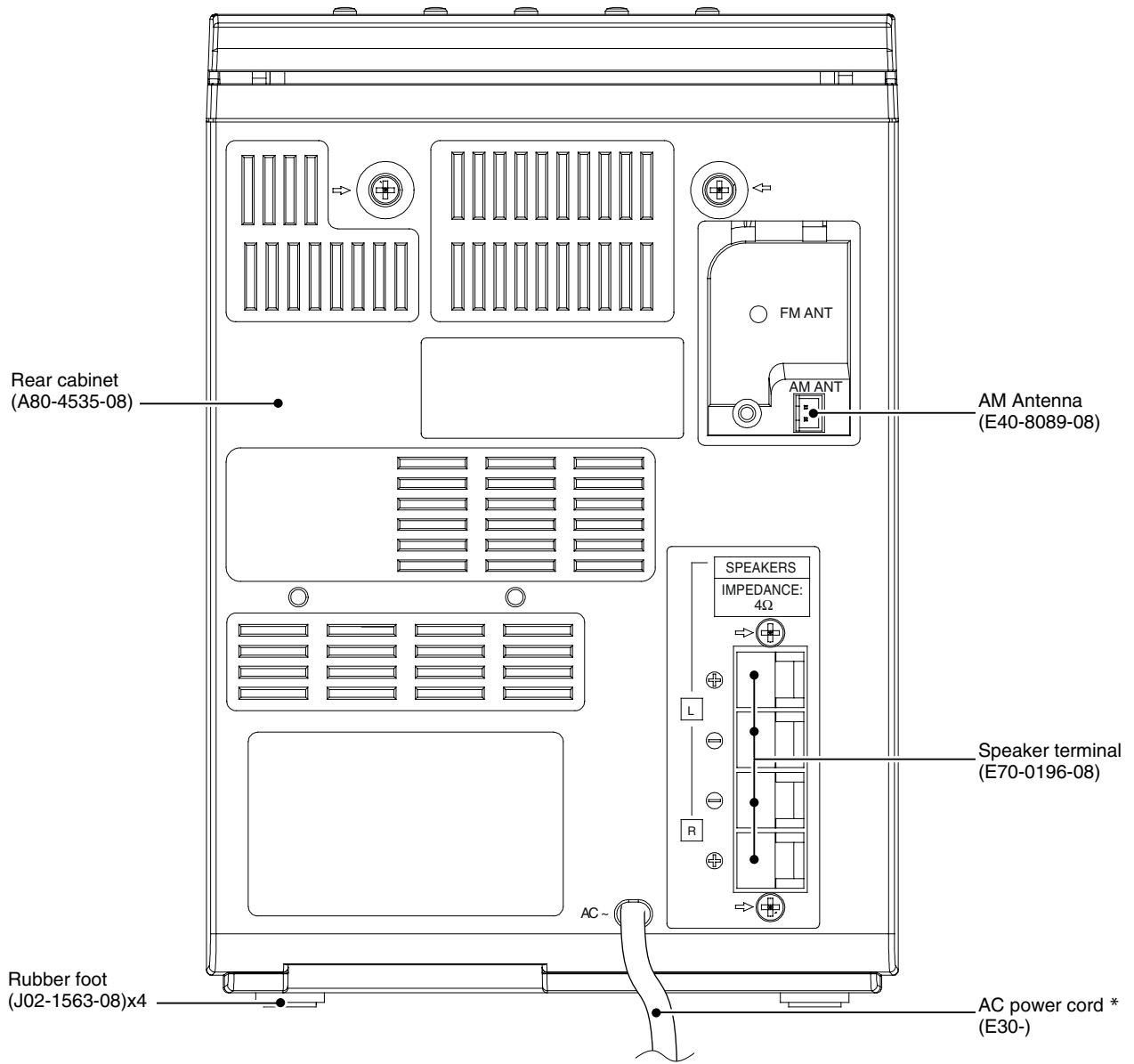
The microcomputer may malfunction (unit cannot be operated, or shows an erroneous display) if the power cord is unplugged while the power is ON, or due to some other external factor. If this happens, execute the following procedure to reset the microcomputer and return the unit to its normal operating condition.

When the power is on and TUNER input is selected, press and hold down the  button for more than 2 seconds.

- Please note that resetting the microcomputer will clear the contents of the memory and return the unit to the state it was in when it left the factory.

RXD-M47WM/LS-M47WM

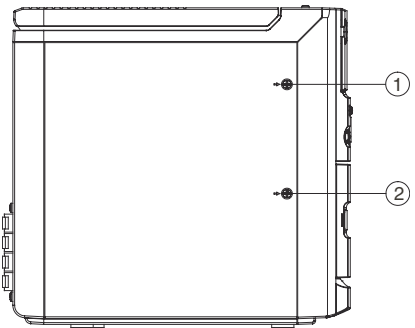
EXTERNAL VIEW



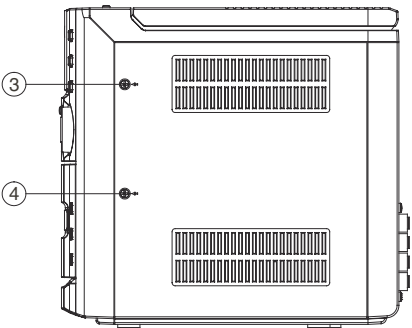
* Refer to parts list on page 26.

DISASSEMBLY INSTRUCTIONS

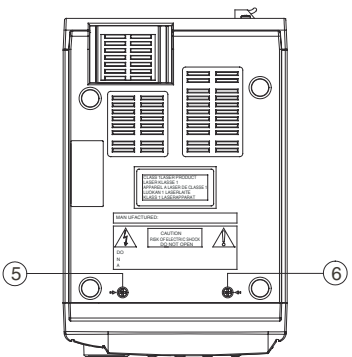
LEFT SURFACE



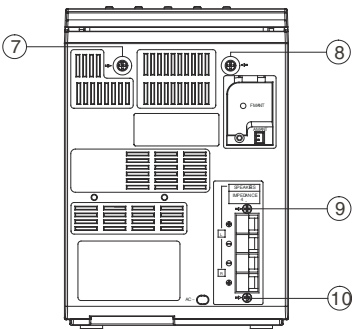
RIGHT SURFACE



BOTTOM SURFACE

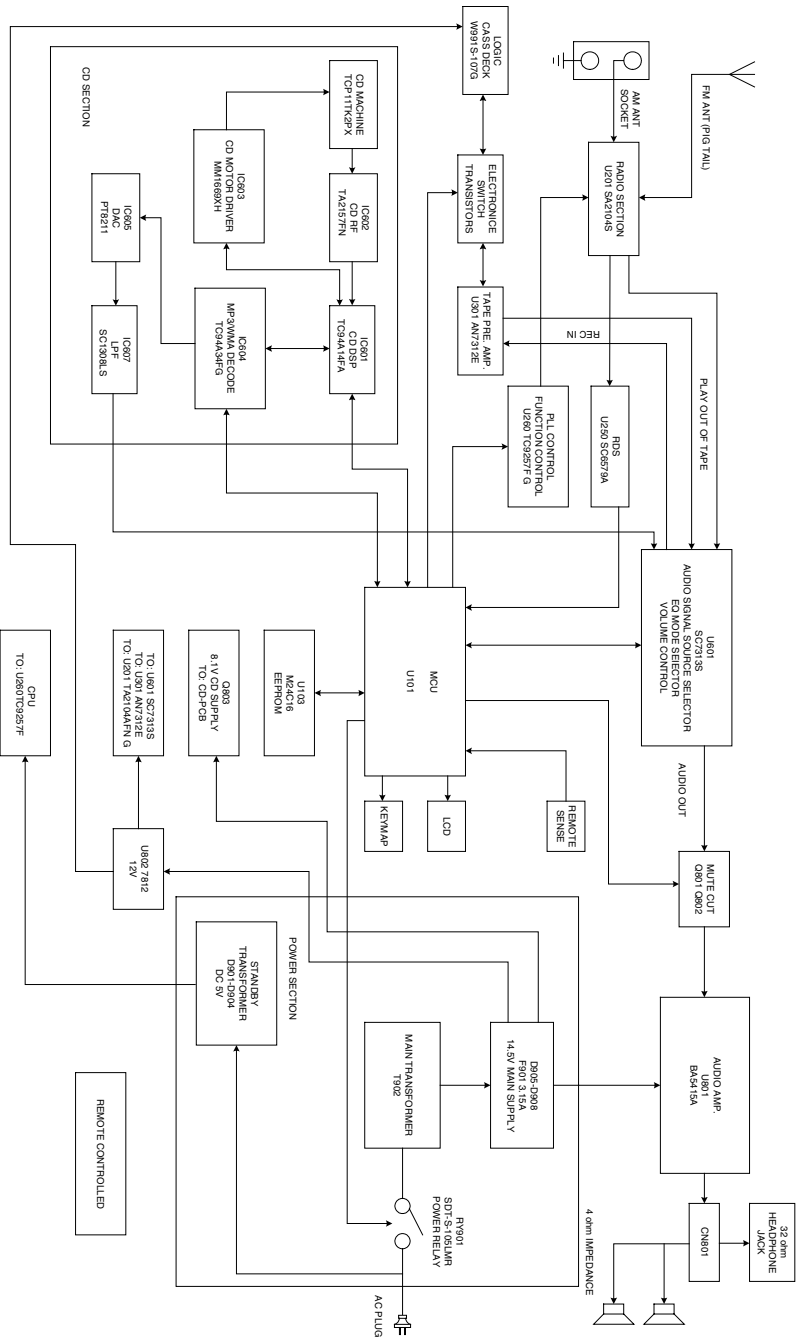


BACK SURFACE



DETACH REAR CABINET FROM FRONT CABINET MUST BE REMOVED FROM 1 TO 10 SCREWS.

BLOCK DIAGRAM

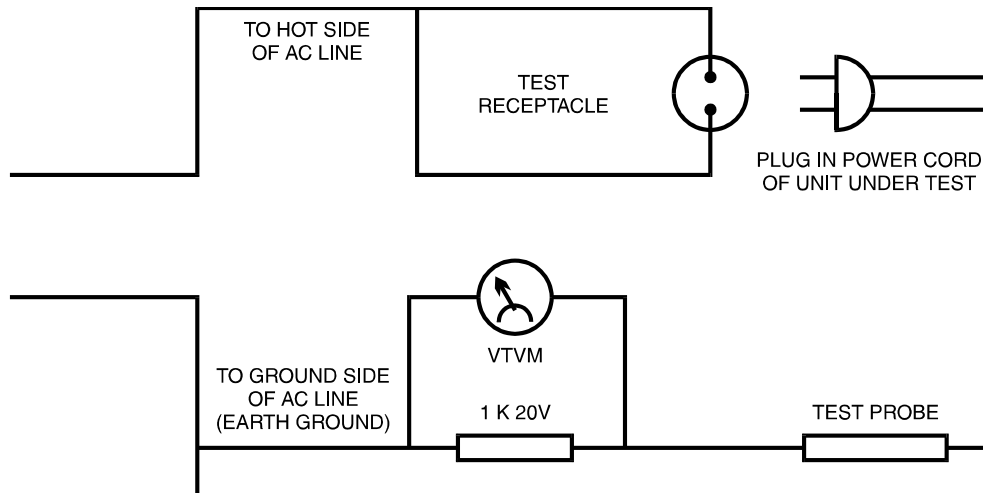


RXD-M47WM/LS-M47WM

SAFETY

Important Note!!! Do the following safety checks after servicing this unit.

1. Remove all the externally connected test equipment and wires before testing the unit.
2. Use the safety test circuit as shown below.
3. Plug the power cord or unit to be tested into the test receptacle.
4. Switch the unit being tested to ON or PLAY.
5. Connect external jack/terminal contact VTVM across a 1k resistor in the test circuit. Set the meter **to a** high (150V AC) scale to avoid meter damage and then touch the points with the test probe. If the meter reading indicates less than 3 volts on all test points, set the meter to a low (3V AC) scale and repeat the test.
6. Any reading greater than 0.2 volt indicates a potential shock hazard. If this occurs, determine **the** cause of the leakage, correct the problem, and repeat the safety test.



SAFETY TEST CIRCUIT

RXD-M47WM/LS-M47WM

ADJUSTMENT

SERVICE ADJUSTMENT

Lubrication

The mechanical parts are factory coated with a thin coat of light grease and should not require further lubrication. If a light grease is applied, be careful not to get any grease on the play/record head or erase head, hubs, pulleys, tapes reels, drive belts, or switches. Use a good lubricant such as Silicon Lube G322L or Lubricate.

Service Check

Before aligning the mechanism, wipe off any accumulated dirt with denatured alcohol. Wipe around parts where the tape contacts and around all rotating parts. Drive belts are specially processed. Do not clean them with alcohol.

Mechanical Torque

Use a cassette type torque gauge and check the tape mechanism.

Take-up torque 35 to 70 g-cm

Rewind torque 50 g-cm min.

Fast forward torque 50 g-cm min.

Pinch Wheel Pressure

No adjustment to the pinch roller spring is necessary. It should be sufficient to give at least 40 g-cm pull force.

Tape Head Servicing

Each time the unit is serviced, the face of all heads should be thoroughly cleaned with denatured alcohol or commercial head cleaning solution. The playback head should be demagnetized with a commercial demagnetizer. Accumulation of tape oxide during normal operations can cause problems, including loss of high frequencies and wow and flutter.

Erase Head

The erase head is properly aligned when the tape rides directly between the tape guide on the head without crinkling the tape.

RXD-M47WM/LS-M47WM

ADJUSTMENT

Play/Record and Playback Head Azimuth Adjustment

To adjust the play/record and playback head azimuth screw:

1. Connect two (2) VTVMs and a dual trace scope to the stereo headphone jack (as shown) with a 32 ohm dummy load. (See Figure 1.)

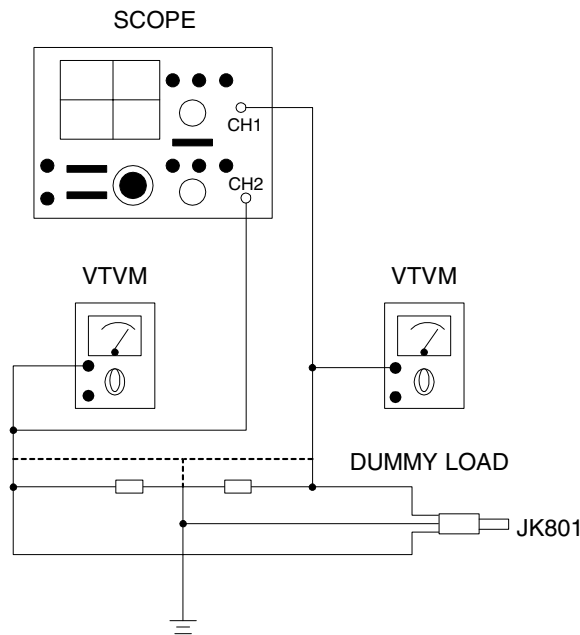


Figure 1. Azimuth Adjustment

2. Insert a 10 kHz test tape (Teac MTT-1141V or Equivalent) into the tape mechanism and play it back.
3. While playing back the test tape, slowly turn the azimuth adjusting screw until the amplitude of both channel output waveforms is maximum and in phase. (See Figure 2.)
4. Secure the azimuth screw in place with glue or paint after making the adjustment.

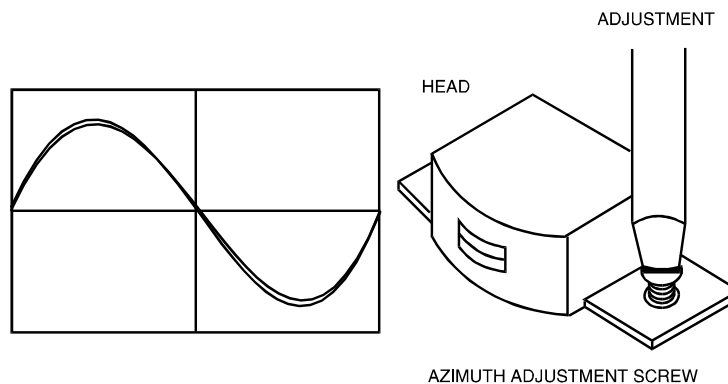


Figure 2. Head Output Signal

RXD-M47WM/LS-M47WM

ADJUSTMENT

Tape Speed Adjustment

1. Set the function switch to TAPE.
2. Connect a frequency counter with a 32 ohm dummy load to the stereo headphone jack. (See Figure 3.)

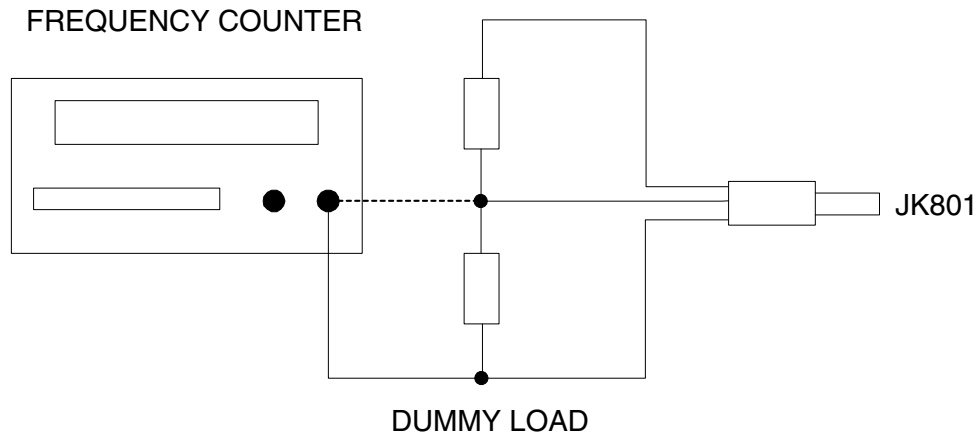


Figure 3. Tape Speed Adjustment

3. Insert and play back a 3 kHz test tape (Teac MTT-111 or Equivalent) into the tape mechanism.
4. Insert an insulated alignment tool and adjust the tape speed potentiometer (MOTOR) until the frequency counter indicates 2940 Hz to 3090 Hz.

Bias Oscillator Frequency and Level Adjustment

1. Set the function switch to TAPE and the record and play tape mechanism to RECORD.
2. Connect a VTVM and frequency counter to test point R/P HEAD.
3. Adjust bias oscillator coil T360 until the frequency counter indicates $100 \text{ kHz} \pm 0.5 \text{ kHz}$.
4. Confirm the record head voltage equal to: 4-8V.

RXD-M47WM/LS-M47WM

ADJUSTMENT

TUNER ALIGNMENT PROCEDURE

Equipment needed:

1. AM Signal generator
2. FM Signal generator
3. DC Voltage meter
4. Oscilloscope
5. Output meter (VTVM)

AM Alignment

Step	S/G Frequency	Dial Setting	Indicator	Adjust	Remarks
1	450 kHz (1 kHz 30% mod.)	612 kHz	Connect oscilloscope or VTVM to speaker jack	T201	Adjust until maximum output
2	531 kHz (1 kHz 30% mod.)	Low end	Connect DC voltage meter to test point Vt and ground	T202	Adjust until Vt equal to $1.5 \pm 0.05V$
3	1602 kHz (1 kHz 30% mod.)	High end	Same as step 2		Confirm Vt: 6.5~8.5V
4	612 kHz (1 kHz 30% mod.)	612 kHz	Same as step 1	T203	Maximum output
5	1404 kHz (1 kHz 30% mod.)	1404 kHz	Same as step 1	VC201	Maximum output
6	Repeat steps 4 and 5 to minimize tracking error				
7	999 kHz (1 kHz 30%mod.)	999 kHz	Same as step 1		Offset is less than 6 dB.

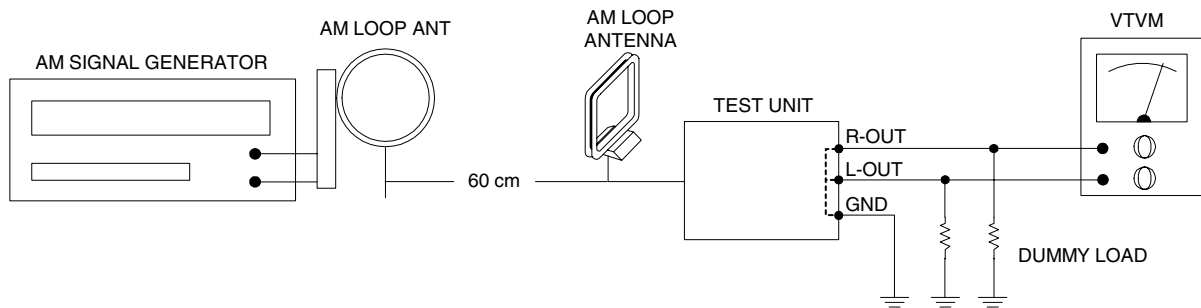


Figure 4. AM IF/RF Tracking

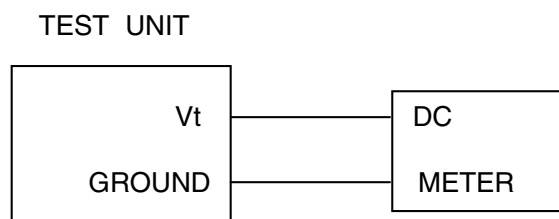


Figure 5. AM Band Frequency Coverage Alignment

RXD-M47WM/LS-M47WM

ADJUSTMENT

FM Alignment:

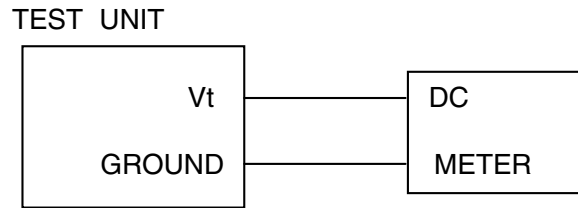


Figure 6. FM Band Frequency Coverage Alignment

Connect FM S/G to ANT inputs (mod 1 kHz 22.5kHz dev.)

Step	S/G Frequency	Dial Setting	Indicator	Adjust	Remarks
1	87.5 MHz	Low end	Connect DC voltage meter to test point Vt and ground	L203	Adjust until Vt equal to: $2.5 \pm 0.05V$
2	108 MHz	High end	Same as step 1		Confirm Vt: 7-9V
3	90.1 MHz	90.1 MHz	Connect oscilloscope or VT/VM to speaker jack	L204	Adjust until Maximum output
4	106.1 MHz	106.1 MHz	Same as step 3	VC202	Adjust until maximum output
5	Repeat steps 3 and 4 to minimize tracking error.				

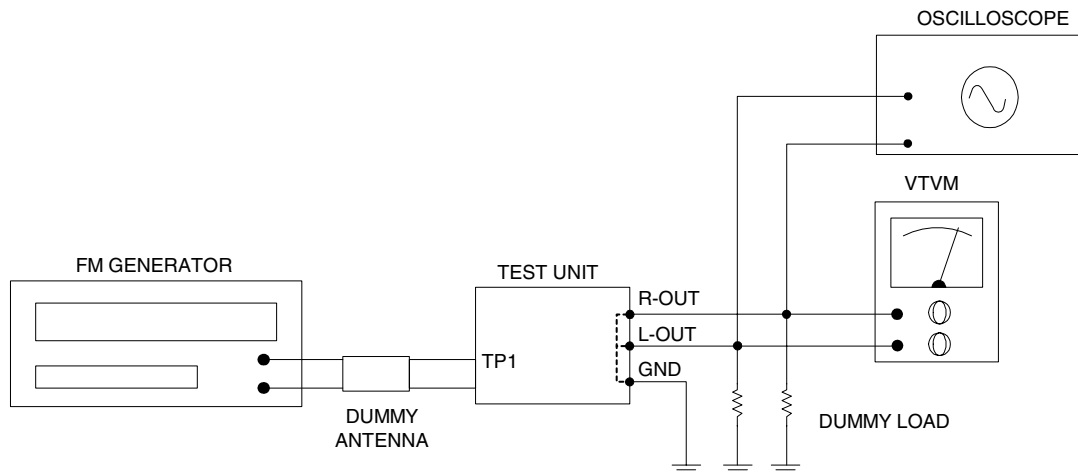


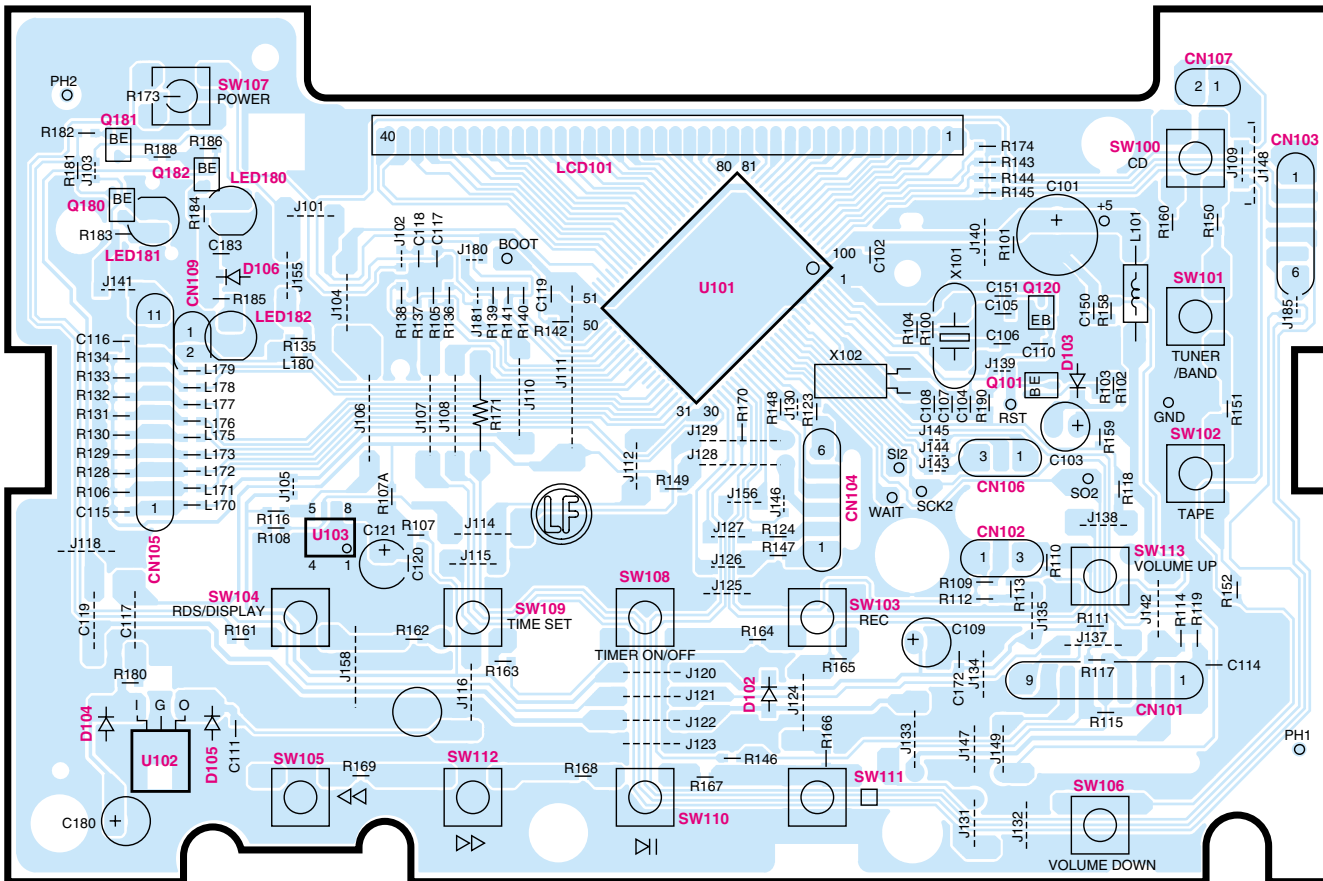
Figure 7. FM Band/Tracking

TROUBLE SHOOTING

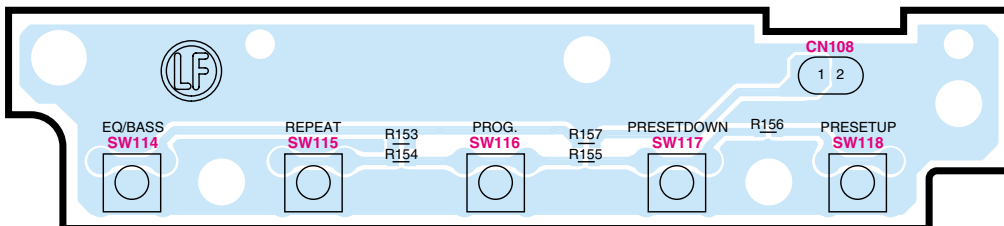
Circuit	Symptom	Cause and Remedy
General	No sound	<ul style="list-style-type: none"> • Speakers are not connected: Check the speaker connection. • Wrong function is selected: Set switch to the proper position. • Defective volume control: Set the volume control to a proper sound level. • Defective earphone jack: Replace the earphone jack. • Mute function is active: Release it by remote control.
AM	No sound, weak sound (Low sensitivity)	<ul style="list-style-type: none"> • Improper location of unit: Rotate or reposition the unit. • Defect in T203: Check resistance, voltage, and current. Replace as needed. • Defect AM antenna loop or oscilloscope coil: Replace if necessary. • Intermediate Frequency tuning faulty: Readjust (see "Alignment and Adjustment"). • RF tracking faulty: Readjust (see "Alignment and Adjustment"). • Defective U201 (SA2104S): Check voltages. Replace if necessary. • Poor contact in antenna circuit: Check resistance and resolder.
FM	No sound, weak sound (Low sensitivity)	<ul style="list-style-type: none"> • FM antenna not connected: Connect the built-in or external antenna. • Defective band selector switch: Replace or repair the switch. • Defective U201 (SA2104S): Check voltages. Replace if necessary. • Intermediate Frequency tuning faulty: Readjust (see "Alignment and Adjustment"). • Poor contact in FM antenna circuit: Resolder or repair as required.
Tape	No sound/recording, unsteady tape sound, weak sound	<ul style="list-style-type: none"> • Dirty capstan or head: Clean the capstan or head with alcohol. • Irregular cassette tape winding: Replace tape. • Defective U301 (AN7312) Check voltages. Replace if necessary. • Cassette erasure prevention tabs broken out: Replace tape or cover tab openings with adhesive tape.
CD	Cannot read the table of contents. no display, no sound.	<ul style="list-style-type: none"> • Disc is inserted upside down: Insert disc correctly. • Disc is dirty: Wipe clean with a soft cloth. • Disc is scratched: Use a new disc. • Disc is seriously warped: Use a new disc. • A non-standard disc has been inserted: Use only a brand name disc. • Moisture has formed inside the CD deck: Wait about 20 to 30 minutes. • Defect in the servo control board: Replace or repair as required. • Defect in the CD pickup mechanism: Replace as required.

PC BOARD (Component side view)

DISPLAY

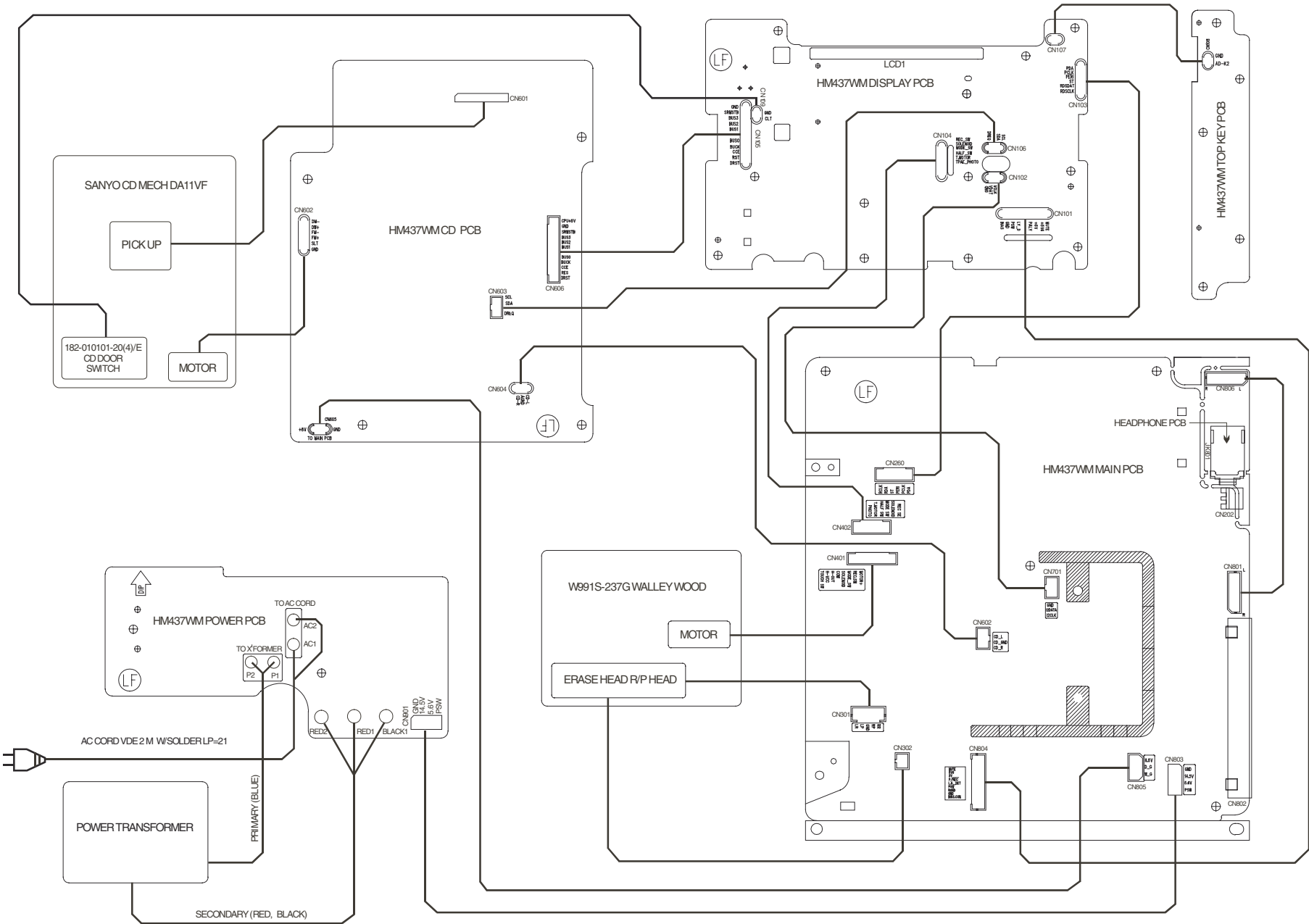


TOP KEY



RXD-M47WM/LS-M47WM

WIRING DIAGRAM



U101 TMP87EP26F							
PIN 1	0 V	PIN 26	0.8 V	PIN 51	4.8 V	PIN 76	2.5 V
PIN 2	2.0 V	PIN 27	0 V	PIN 52	2.3 V	PIN 77	2.5 V
PIN 3	2.3 V	PIN 28	1.7 V	PIN 53	2.4 V	PIN 78	2.5 V
PIN 4	4.1 V	PIN 29	0 V	PIN 54	0 V	PIN 79	2.5 V
PIN 5	2.4 V	PIN 30	0 V	PIN 55	2.5 V	PIN 80	2.5 V
PIN 6	1.9 V	PIN 31	0 V	PIN 56	2.5 V	PIN 81	2.5 V
PIN 7	0 V	PIN 32	0 V	PIN 57	2.5 V	PIN 82	2.5 V
PIN 8	2.9 V	PIN 33	0 V	PIN 58	2.5 V	PIN 83	2.5 V
PIN 9	4.7 V	PIN 34	0 V	PIN 59	2.5 V	PIN 84	2.5 V
PIN 10	1.7 V	PIN 35	0 V	PIN 60	2.5 V	PIN 85	2.5 V
PIN 11	0 V	PIN 36	0 V	PIN 61	2.5 V	PIN 86	2.5 V
PIN 12	0 V	PIN 37	0 V	PIN 62	2.5 V	PIN 87	2.5 V
PIN 13	1.7 V	PIN 38	1.0 V	PIN 63	2.5 V	PIN 88	2.5 V
PIN 14	3.3 V	PIN 39	0 V	PIN 64	2.5 V	PIN 89	2.5 V
PIN 15	1.7 V	PIN 40	4.8 V	PIN 65	2.5 V	PIN 90	2.5 V
PIN 16	1.7 V	PIN 41	4.8 V	PIN 66	2.5 V	PIN 91	2.5 V
PIN 17	1.7 V	PIN 42	0.7 V	PIN 67	2.5 V	PIN 92	2.5 V
PIN 18	1.7 V	PIN 43	4.4 V	PIN 68	2.5 V	PIN 93	2.5 V
PIN 19	0 V	PIN 44	4.8 V	PIN 69	2.5 V	PIN 94	2.5 V
PIN 20	1.7 V	PIN 45	4.6 V	PIN 70	2.5 V	PIN 95	2.5 V
PIN 21	0 V	PIN 46	4.8 V	PIN 71	2.5 V	PIN 96	2.3 V
PIN 22	4.8 V	PIN 47	4.8 V	PIN 72	2.5 V	PIN 97	0 V
PIN 23	4.8 V	PIN 48	4.8 V	PIN 73	2.5 V	PIN 98	4.9 V
PIN 24	4.8 V	PIN 49	0 V	PIN 74	2.5 V	PIN 99	4.9 V
PIN 25	4.8 V	PIN 50	0.9 V	PIN 75	2.5 V	PIN 100	4.9 V

	U260 TC9257F	IC605 PT8211	U250 SC6579A	U801 BA5415A	U103 M24C16	IC607 SC1308LS	U301 AN7312E
PIN 1	2.3 V	1.7 V	2.3 V	18 V	0 V	2.3 V	0 V
PIN 2	2.3 V	1.6 V	2.0 V	9 V	0 V	2.3 V	0 V
PIN 3	4.9 V	0 V	2.3 V	19.5 V	0 V	2.4 V	0 V
PIN 4	4.9 V	0 V	2.3 V	0.6 V	0 V	0 V	3.7 V
PIN 5	0.5 V	4.1 V	4.7 V	0.2 V	0 V	2.4 V	1.3 V
PIN 6	0 V	2.0 V	0 V	18 V	0 V	2.4 V	1.3 V
PIN 7	2.7 V	4.1 V	2.3 V	16 V	0 V	2.4 V	0 V
PIN 8	0 V	2.0 V	2.3 V	0.3 V	4.9 V	4.8 V	0 V
PIN 9	0 V		0 V	0.6 V			1.3 V
PIN 10	0 V		0 V	18.5 V			1.3 V
PIN 11	1.0 V		0 V	9 V			3.6 V
PIN 12	1.0 V		4.7 V	0 V			0 V
PIN 13	0 V		1.9 V				7.3 V
PIN 14	4.7 V		2.4 V				7.3 V
PIN 15	2.2 V		2.4 V				
PIN 16	0 V		2.3 V				
PIN 17	2.2 V						
PIN 18	0 V						
PIN 19	4.8 V						
PIN 20	0 V						

	IC603 MM1669XH	U601 SC7313S	IC602 TA2157FN	IC1001 SC6122	U201 SA2104S
PIN 1	1.1 V	4.38 V	3.2 V	0 V	0 V
PIN 2	7.4 V	8.75 V	3.7 V	0 V	0.8 V
PIN 3	1.9 V	0 V	1.6 V	0 V	1.1 V
PIN 4	1.9 V	4.35 V	1.6 V	0 V	3.5 V
PIN 5	1.6 V	4.35 V	1.6 V	0 V	3.7 V
PIN 6	6.0 V	4.35 V	3.6 V	0 V	3.2 V
PIN 7	1.7 V	4.35 V	2.5 V	0 V	3.8 V
PIN 8	0 V	4.35 V	3.7 V	3 V	0 V
PIN 9	2.9 V	4.35 V	1.6 V	3 V	0.4 V
PIN 10	7.6 V	4.35 V	1.6 V	3 V	3.0 V
PIN 11	4.0 V	4.35 V	1.6 V	2.4 V	1.0 V
PIN 12	4.0 V	4.35 V	1.0 V	0 V	1.0 V
PIN 13	0 V	4.35 V	2.9 V	3 V	3.1 V
PIN 14	4.5 V	4.35 V	1.6 V	3 V	3.0 V
PIN 15	4.7 V	4.35 V	1.6 V	3 V	0.6 V
PIN 16	4.5 V	4.35 V	1.6 V	3 V	1.2 V
PIN 17	4.0 V	4.35 V	0.7 V	0 V	1.2 V
PIN 18	4.1 V	4.35 V	1.7 V	3 V	0 V
PIN 19	1.6 V	4.45 V	1.0 V	0 V	3.8 V
PIN 20	4.6 V	4.4 V	1.6 V	3 V	3.8 V
PIN 21	8.8 V	4.35 V	2.3 V	3 V	4.0 V
PIN 22	8.8 V	4.35 V	0.7 V	3 V	3.8 V
PIN 23	1.6 V	4.35 V	1.6 V	0 V	3.8 V
PIN 24	4.5 V	4.35 V	0 V	0 V	3.8 V
PIN 25	1.6 V	4.35 V			
PIN 26	4.0 V	0 V			
PIN 27	4.5 V	4.88 V			
PIN 28	0 V	4.88 V			

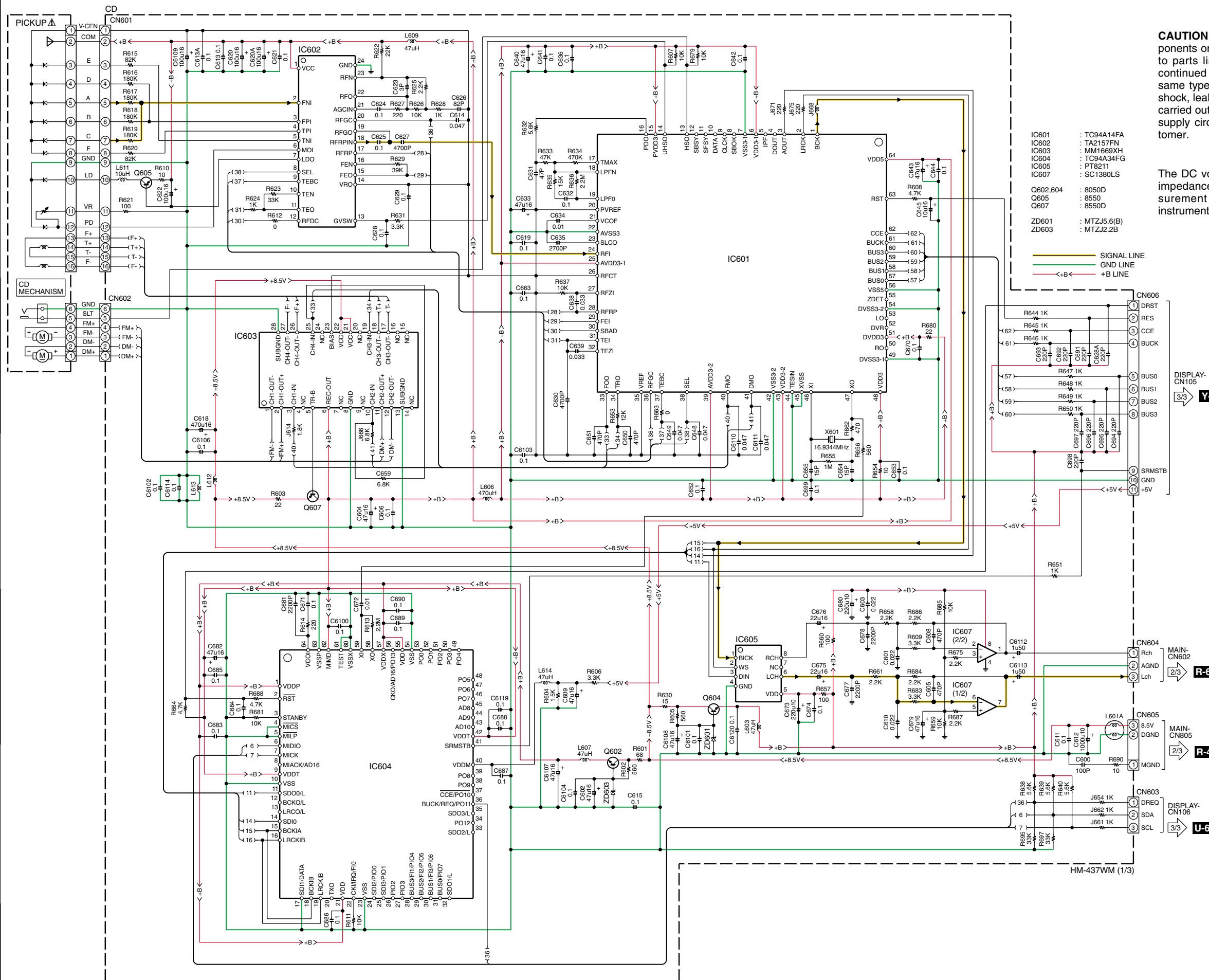
VOLTAGE CHARTS

RXD-M47WM/LS-M47WM

IC601 TC94A14FA				IC604 TC94A34FG			
PIN 1	1.6 V	PIN 33	1.6 V	PIN 1	1.5 V	PIN 33	0 V
PIN 2	1.6 V	PIN 34	1.6 V	PIN 2	3.2 V	PIN 34	0 V
PIN 3	0 V	PIN 35	1.6 V	PIN 3	0 V	PIN 35	0 V
PIN 4	0 V	PIN 36	2.0 V	PIN 4	0 V	PIN 36	0 V
PIN 5	3.2 V	PIN 37	1.6 V	PIN 5	0 V	PIN 37	0 V
PIN 6	3.2 V	PIN 38	2.1 V	PIN 6	4.4 V	PIN 38	0 V
PIN 7	0 V	PIN 39	3.1 V	PIN 7	4.9 V	PIN 39	0 V
PIN 8	0 V	PIN 40	1.7 V	PIN 8	3.2 V	PIN 40	1.5 V
PIN 9	1.9 V	PIN 41	2.0 V	PIN 9	2.2 V	PIN 41	0.5 V
PIN 10	3.1 V	PIN 42	0 V	PIN 10	0 V	PIN 42	1.1 V
PIN 11	1.0 V	PIN 43	3.1 V	PIN 11	2.3 V	PIN 43	0 V
PIN 12	0 V	PIN 44	0 V	PIN 12	0 V	PIN 44	1.1 V
PIN 13	3.1 V	PIN 45	0 V	PIN 13	0 V	PIN 45	1.1 V
PIN 14	2.9 V	PIN 46	1.4 V	PIN 14	0 V	PIN 46	0 V
PIN 15	3.2 V	PIN 47	1.4 V	PIN 15	1.7 V	PIN 47	1.2 V
PIN 16	1.6 V	PIN 48	2.0 V	PIN 16	1.6 V	PIN 48	0 V
PIN 17	0 V	PIN 49	0 V	PIN 17	0 V	PIN 49	0 V
PIN 18	1.4 V	PIN 50	1.5 V	PIN 18	1.7 V	PIN 50	0 V
PIN 19	3.1 V	PIN 51	3.1 V	PIN 19	1.6 V	PIN 51	0 V
PIN 20	1.6 V	PIN 52	1.5 V	PIN 20	0 V	PIN 52	0 V
PIN 21	1.4 V	PIN 53	0 V	PIN 21	1.5 V	PIN 53	0 V
PIN 22	0 V	PIN 54	3.2 V	PIN 22	0 V	PIN 54	0 V
PIN 23	1.5 V	PIN 55	0 V	PIN 23	0 V	PIN 55	1.6 V
PIN 24	1.6 V	PIN 56	3.6 V	PIN 24	0 V	PIN 56	0 V
PIN 25	3.1 V	PIN 57	3.5 V	PIN 25	0 V	PIN 57	1.6 V
PIN 26	1.6 V	PIN 58	3.3 V	PIN 26	0 V	PIN 58	0.8 V
PIN 27	1.6 V	PIN 59	3.2 V	PIN 27	0 V	PIN 59	1.3 V
PIN 28	3.0 V	PIN 60	3.2 V	PIN 28	0 V	PIN 60	0 V
PIN 29	1.5 V	PIN 61	3.2 V	PIN 29	0 V	PIN 61	0 V
PIN 30	1.8 V	PIN 62	3.0 V	PIN 30	0.1 V	PIN 62	3.2 V
PIN 31	1.8 V	PIN 63	3.6 V	PIN 31	0.1 V	PIN 63	0 V
PIN 32	1.6 V	PIN 64	3.2 V	PIN 32	0 V	PIN 64	0.8 V

TRANSISTOR

Ref. No.	Transistor	PIN E	PIN B	PIN C	Ref. No.	Transistor	PIN E	PIN B	PIN C
Q101	9014	0 V	0 V	4.5 V	Q312	9013	0 V	0 V	0 V
Q180	9014	0 V	0.6 V	0 V	Q313	8050	0 V	0 V	0 V
Q181	9014	0 V	0.6 V	0 V	Q314	8050	0 V	0 V	0 V
Q182	8550	5.6 V	4.8 V	5.5 V	Q315	9014	0 V	0 V	11.1 V
Q201	9018	1.1 V	1.8 V	3.7 V	Q316	8050	0 V	0 V	0 V
Q202	9014	0 V	0 V	3.4 V	Q317	8550	12 V	1.7 V	0.7 V
Q203	9014	2.0 V	2.7 V	2.6 V	Q318	9013	0 V	0 V	11.4 V
Q204	9014	0 V	0.6 V	0 V	Q319	9013	0 V	0.6 V	0 V
Q205	9013	0 V	0 V	3.1 V	Q320	8550	2.1 V	1.4 V	2.1 V
Q206	9013	0 V	0 V	3.1 V	Q321	9013	0 V	0.6 V	0 V
Q207	9013	0 V	0 V	1.2 V	Q323	9014	0 V	0.6 V	0 V
Q208	9014	0 V	0 V	2.0 V	Q401	8550D	12 V	11.45 V	0 V
Q251	8550	4.9 V	4.1 V	4.9 V	Q402	9013	0 V	0.4 V	11 V
Q252	9013	0 V	0.6 V	0 V	Q403	9013	0 V	0 V	11.8 V
Q260	9014	0.6 V	1.0 V	0.7 V	Q404	8550D	12 V	11.9 V	0 V
Q261	9014	0 V	0.6 V	0.7 V	Q602	8050D	1.7 V	2.3 V	7.1 V
Q262	9014	0.6 V	1.0 V	2.3 V	Q604	8050D	5.0 V	5.6 V	8.6 V
Q263	9014	0 V	0.6 V	2.3 V	Q605	8550	3.2 V	2.6 V	3.3 V
Q280	9013	0 V	0.6 V	0 V	Q607	8550D	7.9 V	7.3 V	3.2 V
Q281	8550D	12 V	11.2 V	12 V	Q701	9014	1.3 V	1.9 V	3.6 V
Q301	2SC2412K	0 V	0.6 V	0 V	Q702	9014	1.3 V	1.9 V	3.6 V
Q302	2SC2412K	0 V	0 V	0 V	Q801	8050	0 V	0 V	0 V
Q303	2SC2412K	0 V	0.6 V	0 V	Q802	8050	0 V	0 V	0 V
Q304	2SC2412K	0 V	0.6 V	0 V	Q803	KTD2058Y	17 V	12 V	9.3 V
Q305	2SC2412K	0 V	0 V	0 V	Q804	8550D	18 V	17.7 V	0.5 V
Q306	2SC2412K	0 V	0 V	0 V	Q805	8050	0 V	0 V	17.3 V
Q307	8050	0 V	0 V	0.5 V	Q806	2SC1383R	8.9 V	6.1 V	5.5 V
Q308	8050	0 V	0 V	0 V	Q807	8050	0 V	0 V	4.9 V
Q309	9013	0 V	0.6 V	0 V	Q902	8050D	0 V	0.6 V	0 V
Q310	9013	1 V	0.6 V	0 V	Q1001	2SC945-P	0 V	0 V	2.0 V
Q311	9013	0 V	0 V	0 V					



- IC601 : TC94A14FA
- IC602 : TA2157FN
- IC603 : MM1669XH
- IC604 : TC94A34FG
- IC605 : PT8211
- IC607 : SC1380LS
- Q602,604 : 8050D
- Q605 : 8550
- Q607 : 8550D
- ZD601 : MTZJ5.6(B)
- ZD603 : MTZJ2.2B

— SIGNAL LINE
 — GND LINE
 — +B LINE

CAUTION: For continued safety, replace safety critical components only with manufacturer's recommended parts (refer to parts list). Δ indicates safety critical components. For continued protection against risk of fire, replace only with same type and rating fuse(s). To reduce the risk of electric shock, leakage-current or resistance measurements shall be carried out (exposed parts are acceptably insulated from the supply circuit) before the appliance is returned to the customer.

The DC voltage is an actual reading measured with a high impedance type voltmeter with no signal input. The measurement value may vary depending on the measuring instruments used or on the product.

DISPLAY-
CN105
3/3 Y-7

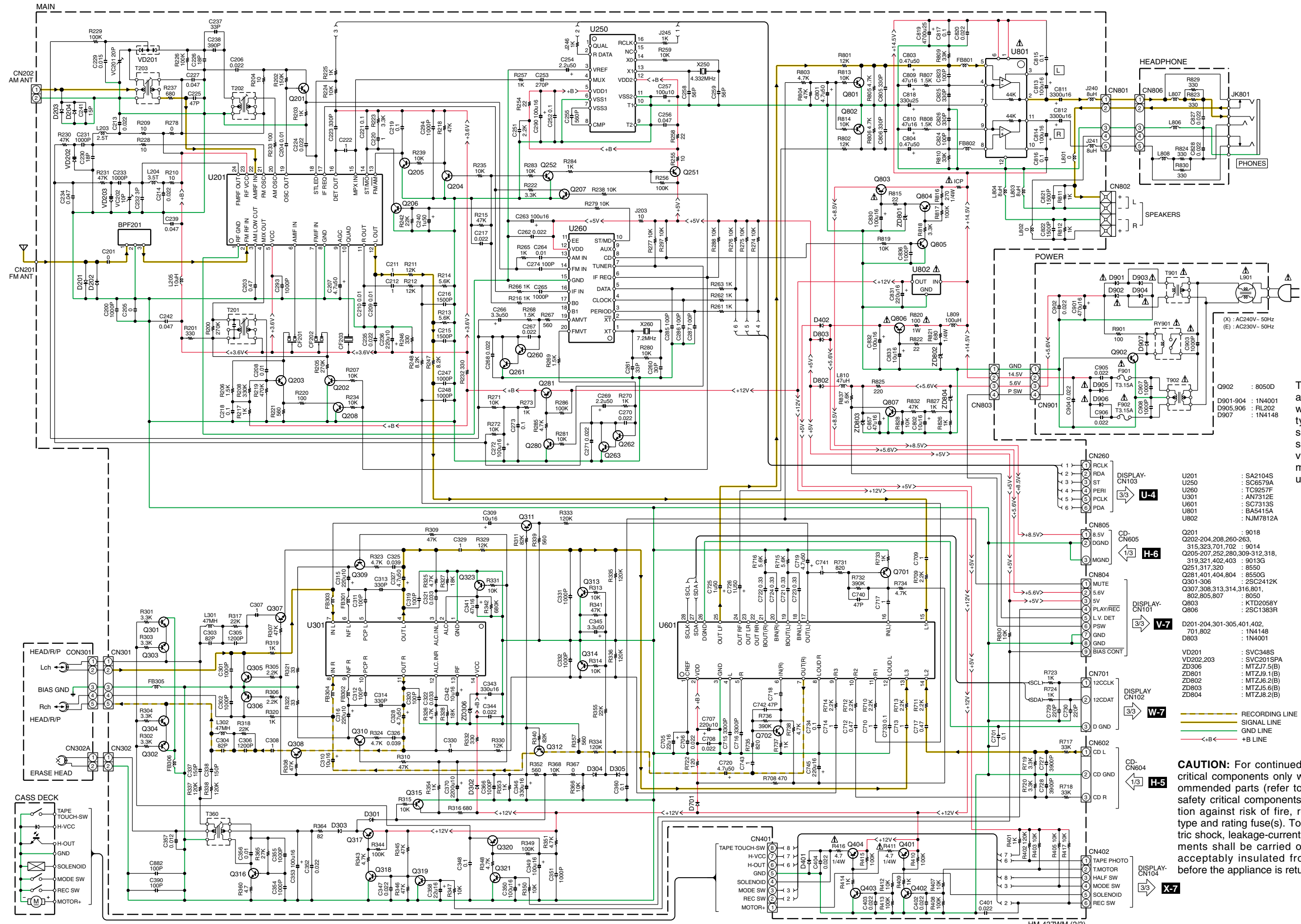
MAIN-
CN602
2/3 R-6

MAIN-
CN805
2/3 R-4

DISPLAY-
CN106
3/3 U-6

HM-437WM (1/3)

RXD-M47WM/LS-M47WM



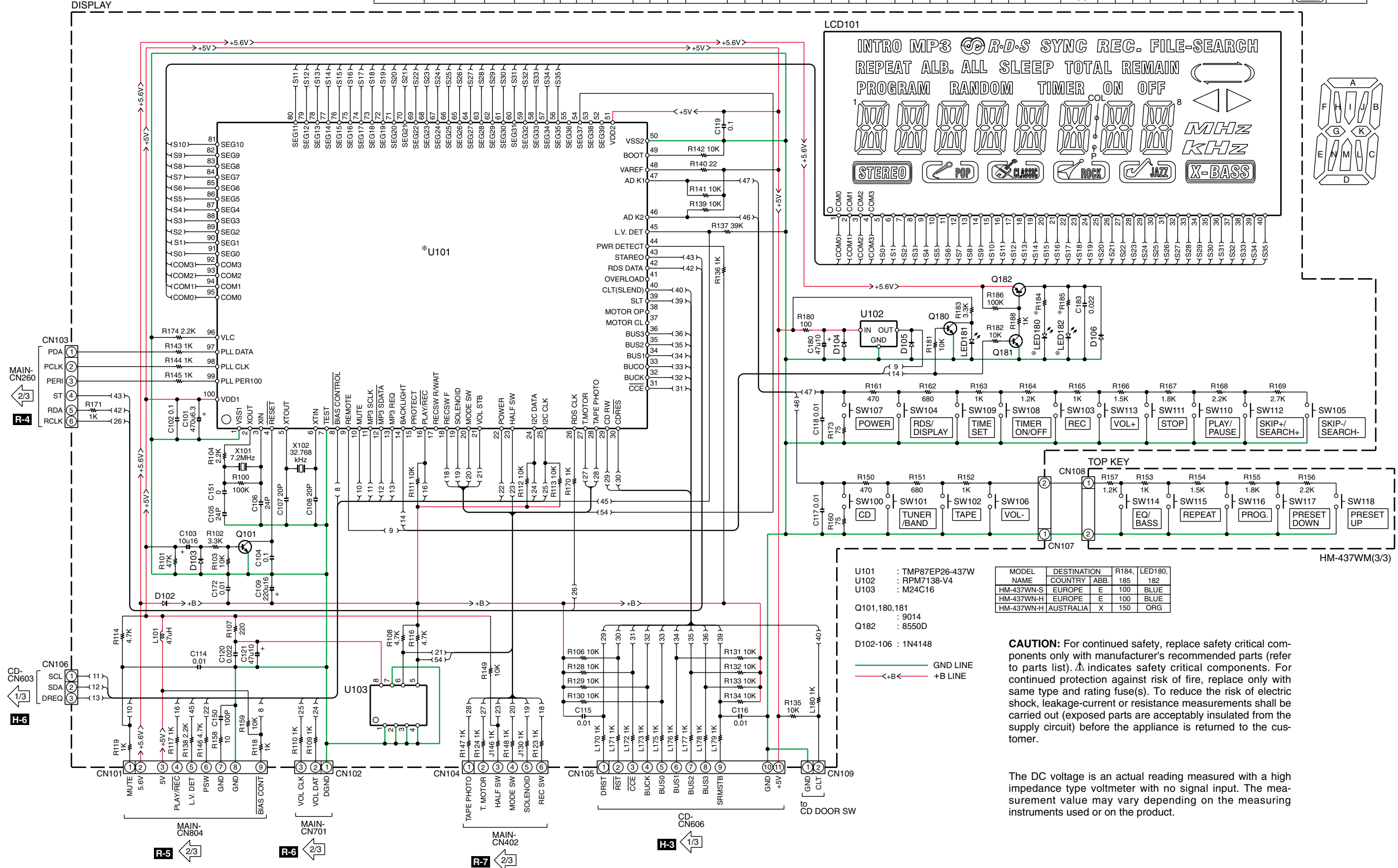
The DC voltage is an actual reading measured with a high impedance type voltmeter with no signal input. The measurement value may vary depending on the measuring instruments used or on the product.

- Q902 : 8050D
- D901-904 : 1N4001
- D905,906 : RL202
- D907 : 1N4148
- U201 : SA2104S
- U250 : SC6579A
- U260 : TC9257F
- U301 : AN7312E
- U601 : SC7313S
- U801 : BA5415A
- U802 : NJM7812A
- Q201 : 9018
- Q202-204,208,260-263,315,323,701,702 : 9014
- Q205-207,252,280,309-312,318,319,321,402,403 : 9013G
- Q251,317,320 : 8550
- Q281,401,404,804 : 8550G
- Q301-306 : 2SC242K
- Q307,308,313,314,316,801,802,805,807 : 8050
- Q803 : KTD2058Y
- Q806 : 2SC1383R
- D201-204,301-305,401,402,701,802 : 1N4148
- D803 : 1N4001
- VD201 : SVC348S
- VD202,203 : SVC201SPA
- ZD306 : MTZJ7.5(B)
- ZD801 : MTZJ9.1(B)
- ZD802 : MTZJ6.2(B)
- ZD803 : MTZJ5.6(B)
- ZD804 : MTZJ8.2(B)

- CD- CN605
- CD- CN604
- CD- CN602
- CD- CN601
- CD- CN600
- CD- CN603
- CD- CN606
- CD- CN607
- CD- CN608
- CD- CN609
- CD- CN610
- CD- CN611
- CD- CN612
- CD- CN613
- CD- CN614
- CD- CN615
- CD- CN616
- CD- CN617
- CD- CN618
- CD- CN619
- CD- CN620
- CD- CN621
- CD- CN622
- CD- CN623
- CD- CN624
- CD- CN625
- CD- CN626
- CD- CN627
- CD- CN628
- CD- CN629
- CD- CN630
- CD- CN631
- CD- CN632
- CD- CN633
- CD- CN634
- CD- CN635
- CD- CN636
- CD- CN637
- CD- CN638
- CD- CN639
- CD- CN640
- CD- CN641
- CD- CN642
- CD- CN643
- CD- CN644
- CD- CN645
- CD- CN646
- CD- CN647
- CD- CN648
- CD- CN649
- CD- CN650
- CD- CN651
- CD- CN652
- CD- CN653
- CD- CN654
- CD- CN655
- CD- CN656
- CD- CN657
- CD- CN658
- CD- CN659
- CD- CN660
- CD- CN661
- CD- CN662
- CD- CN663
- CD- CN664
- CD- CN665
- CD- CN666
- CD- CN667
- CD- CN668
- CD- CN669
- CD- CN670
- CD- CN671
- CD- CN672
- CD- CN673
- CD- CN674
- CD- CN675
- CD- CN676
- CD- CN677
- CD- CN678
- CD- CN679
- CD- CN680
- CD- CN681
- CD- CN682
- CD- CN683
- CD- CN684
- CD- CN685
- CD- CN686
- CD- CN687
- CD- CN688
- CD- CN689
- CD- CN690
- CD- CN691
- CD- CN692
- CD- CN693
- CD- CN694
- CD- CN695
- CD- CN696
- CD- CN697
- CD- CN698
- CD- CN699
- CD- CN700
- CD- CN701
- CD- CN702
- CD- CN703
- CD- CN704
- CD- CN705
- CD- CN706
- CD- CN707
- CD- CN708
- CD- CN709
- CD- CN710
- CD- CN711
- CD- CN712
- CD- CN713
- CD- CN714
- CD- CN715
- CD- CN716
- CD- CN717
- CD- CN718
- CD- CN719
- CD- CN720
- CD- CN721
- CD- CN722
- CD- CN723
- CD- CN724
- CD- CN725
- CD- CN726
- CD- CN727
- CD- CN728
- CD- CN729
- CD- CN730
- CD- CN731
- CD- CN732
- CD- CN733
- CD- CN734
- CD- CN735
- CD- CN736
- CD- CN737
- CD- CN738
- CD- CN739
- CD- CN740
- CD- CN741
- CD- CN742
- CD- CN743
- CD- CN744
- CD- CN745
- CD- CN746
- CD- CN747
- CD- CN748
- CD- CN749
- CD- CN750
- CD- CN751
- CD- CN752
- CD- CN753
- CD- CN754
- CD- CN755
- CD- CN756
- CD- CN757
- CD- CN758
- CD- CN759
- CD- CN760
- CD- CN761
- CD- CN762
- CD- CN763
- CD- CN764
- CD- CN765
- CD- CN766
- CD- CN767
- CD- CN768
- CD- CN769
- CD- CN770
- CD- CN771
- CD- CN772
- CD- CN773
- CD- CN774
- CD- CN775
- CD- CN776
- CD- CN777
- CD- CN778
- CD- CN779
- CD- CN780
- CD- CN781
- CD- CN782
- CD- CN783
- CD- CN784
- CD- CN785
- CD- CN786
- CD- CN787
- CD- CN788
- CD- CN789
- CD- CN790
- CD- CN791
- CD- CN792
- CD- CN793
- CD- CN794
- CD- CN795
- CD- CN796
- CD- CN797
- CD- CN798
- CD- CN799
- CD- CN800
- CD- CN801
- CD- CN802
- CD- CN803
- CD- CN804
- CD- CN805
- CD- CN806
- CD- CN807
- CD- CN808
- CD- CN809
- CD- CN810
- CD- CN811
- CD- CN812
- CD- CN813
- CD- CN814
- CD- CN815
- CD- CN816
- CD- CN817
- CD- CN818
- CD- CN819
- CD- CN820
- CD- CN821
- CD- CN822
- CD- CN823
- CD- CN824
- CD- CN825
- CD- CN826
- CD- CN827
- CD- CN828
- CD- CN829
- CD- CN830
- CD- CN831
- CD- CN832
- CD- CN833
- CD- CN834
- CD- CN835
- CD- CN836
- CD- CN837
- CD- CN838
- CD- CN839
- CD- CN840
- CD- CN841
- CD- CN842
- CD- CN843
- CD- CN844
- CD- CN845
- CD- CN846
- CD- CN847
- CD- CN848
- CD- CN849
- CD- CN850
- CD- CN851
- CD- CN852
- CD- CN853
- CD- CN854
- CD- CN855
- CD- CN856
- CD- CN857
- CD- CN858
- CD- CN859
- CD- CN860
- CD- CN861
- CD- CN862
- CD- CN863
- CD- CN864
- CD- CN865
- CD- CN866
- CD- CN867
- CD- CN868
- CD- CN869
- CD- CN870
- CD- CN871
- CD- CN872
- CD- CN873
- CD- CN874
- CD- CN875
- CD- CN876
- CD- CN877
- CD- CN878
- CD- CN879
- CD- CN880
- CD- CN881
- CD- CN882
- CD- CN883
- CD- CN884
- CD- CN885
- CD- CN886
- CD- CN887
- CD- CN888
- CD- CN889
- CD- CN890
- CD- CN891
- CD- CN892
- CD- CN893
- CD- CN894
- CD- CN895
- CD- CN896
- CD- CN897
- CD- CN898
- CD- CN899
- CD- CN900
- CD- CN901
- CD- CN902
- CD- CN903
- CD- CN904
- CD- CN905
- CD- CN906
- CD- CN907
- CD- CN908
- CD- CN909
- CD- CN910
- CD- CN911
- CD- CN912
- CD- CN913
- CD- CN914
- CD- CN915
- CD- CN916
- CD- CN917
- CD- CN918
- CD- CN919
- CD- CN920
- CD- CN921
- CD- CN922
- CD- CN923
- CD- CN924
- CD- CN925
- CD- CN926
- CD- CN927
- CD- CN928
- CD- CN929
- CD- CN930
- CD- CN931
- CD- CN932
- CD- CN933
- CD- CN934
- CD- CN935
- CD- CN936
- CD- CN937
- CD- CN938
- CD- CN939
- CD- CN940
- CD- CN941
- CD- CN942
- CD- CN943
- CD- CN944
- CD- CN945
- CD- CN946
- CD- CN947
- CD- CN948
- CD- CN949
- CD- CN950
- CD- CN951
- CD- CN952
- CD- CN953
- CD- CN954
- CD- CN955
- CD- CN956
- CD- CN957
- CD- CN958
- CD- CN959
- CD- CN960
- CD- CN961
- CD- CN962
- CD- CN963
- CD- CN964
- CD- CN965
- CD- CN966
- CD- CN967
- CD- CN968
- CD- CN969
- CD- CN970
- CD- CN971
- CD- CN972
- CD- CN973
- CD- CN974
- CD- CN975
- CD- CN976
- CD- CN977
- CD- CN978
- CD- CN979
- CD- CN980
- CD- CN981
- CD- CN982
- CD- CN983
- CD- CN984
- CD- CN985
- CD- CN986
- CD- CN987
- CD- CN988
- CD- CN989
- CD- CN990
- CD- CN991
- CD- CN992
- CD- CN993
- CD- CN994
- CD- CN995
- CD- CN996
- CD- CN997
- CD- CN998
- CD- CN999
- CD- CN1000

CAUTION: For continued safety, replace safety critical components only with manufacturer's recommended parts (refer to parts list). Δ indicates safety critical components. For continued protection against risk of fire, replace only with same type and rating fuse(s). To reduce the risk of electric shock, leakage-current or resistance measurements shall be carried out (exposed parts are acceptably insulated from the supply circuit) before the appliance is returned to the customer.

COM/PIN #	1	2	3	4	5	6	7	8	9	10	11	12	13	14	15	16	17	18	19	20	21	22	23	24	25	26	27	28	29	30	31	32	33	34	35	36	37	38	39	40	
COM-0	COM0				1F	1A	1B	TOTAL	2F	2A	2B	PROGRAM	3F	3A	3B	REMAIN	4F	4A	4B	SLEEP	5F	5A	5B	INTRO	6F	6A	6B	FILE-SEARCH	RANDOM	7F	7A	7B	REPEAT	8F	8A	8B	ALL	SYNC	⏪	⏩	
COM-1		COM1			1H	1I	1J	Ⓜ	2H	2I	2J	TIMER	3H	3I	3J	ON	4H	4I	4J	OFF	5H	5I	5J	COL	6H	6I	6J	STEREO	MP3	7H	7I	7J	ALB.	8H	8I	8J	⏪	⏩	⏴	⏵	
COM-2			COM2		1G	1N	1K	1C	2G	2N	2K	2C	3G	3N	3K	3C	4G	4N	4K	4C	5G	5N	5K	5C	6G	6N	6K	6C	▶	7G	7N	7K	7C	8G	8N	8K	8C	⏴	⏵	⏴	⏵
COM-3				COM3	1E	1M	1L	1D	2E	2M	2L	2D	3E	3M	3L	3D	4E	4M	4L	4D	5E	5M	5L	5D	6E	6M	6L	6D	P(o)	7E	7M	7L	7D	8E	8M	8L	8D	⏴	⏵	⏴	⏵



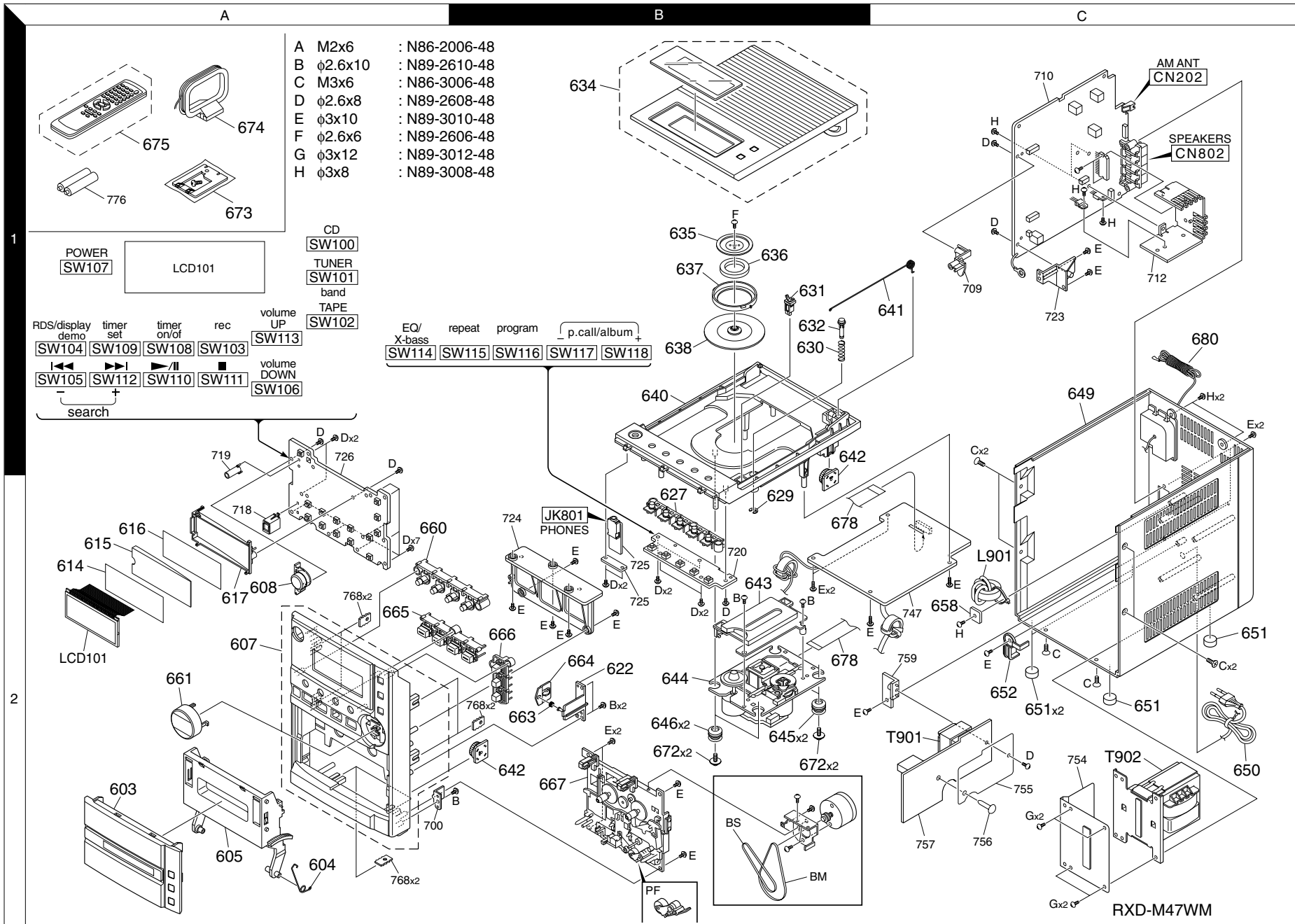
MODEL NAME	DESTINATION COUNTRY	ABB.	R184, 185	LED180, 182
HM-437WN-S	EUROPE	E	100	BLUE
HM-437WN-H	EUROPE	E	100	BLUE
HM-437WN-H	AUSTRALIA	X	150	ORG

CAUTION: For continued safety, replace safety critical components only with manufacturer's recommended parts (refer to parts list). ⚠ indicates safety critical components. For continued protection against risk of fire, replace only with same type and rating fuse(s). To reduce the risk of electric shock, leakage-current or resistance measurements shall be carried out (exposed parts are acceptably insulated from the supply circuit) before the appliance is returned to the customer.

The DC voltage is an actual reading measured with a high impedance type voltmeter with no signal input. The measurement value may vary depending on the measuring instruments used or on the product.

RXD-M47WM/LS-M47WM

EXPLODED VIEW



Parts with exploded numbers larger than 700 are not supplied.

* New Parts
Parts without **Parts No.** are not supplied.
Les articles non mentionnés dans le **Parts No.** ne sont pas fournis.
Teile ohne **Parts No.** werden nicht geliefert.

①

Ref. No	Add-ress	New Parts	Parts No.	Description	Desti-nation	Re-marks
RXD-M47WM						
-		*	B60-5570-08	INST BOOK(EN)	90300043705(4)	
		*	B60-5571-08	INST BOOK(5-LA)	90300043703(2)	
603	2A	*	A53-2482-08	CASS LID ASSY	800-900437-00	EHES
603	2A	*	A53-2483-08	CASS LID ASSY	800-900437-04	ES
604	2A	*	G01-4373-08	CASS LID SPRIN	60500033702(5)	EHXH
605	2A		A53-2452-08	CASSETTE LID	68900033713(4)	
607	2A	*	A60-2470-08	FRONT CABINET	800-900437-01	ES
607	2A	*	A60-2471-08	FRONT CABINET	800-900437-05	EHXH
608	2A	*	K29-8499-08	POWER KNOB	68400033707(7)	
614	2A	*	B11-1611-08	LCD FILTER	62100033709(6)	
615	2A		B19-1670-08	LIGHT GUIDE	62100033710(6)	
616	2A		B11-1610-08	LIGHT GUIDE PA	62000033702(6)	
617	2A		J19-6435-08	LIGHT GUIDE BR	68900033714(5)	
622	2B		J19-6433-08	CASSETT LIDLAT	69800000503(2)	
627	2B	*	K29-8500-08	EQ/BASS KNOB	68400033709(6)	
629	2B		N29-0295-08	E RING M3	61700000301(1)	
630	1B		G01-4362-08	CD EJECT SPRIN	60500000304(8)	
631	1B		J52-0047-08	CD DOOR SWITCH	18201010120(4)	
632	1B		D10-5077-08	PUSH ROD	69800014103(4)	
634	1B	*	F07-2031-08	CD COVER ASSY	800-900437-02	ES
634	1B	*	F07-2032-08	CD COVER ASSY	800-900437-06	EHXH
635	1B		J19-6420-08	METAL PLATE	65900322301(5)	
636	1B		T99-0692-08	MAGNET	39900901902(3)	
637	1B		J19-6419-08	STABILIZER RIN	69400420002(3)	
638	1B		J11-0904-08	STABILIZER	69800795304(3)	
640	1B	*	A29-1259-08	CD TRAY ASSY	800-900437-03	ES
640	1B	*	A29-1260-08	CD TRAY ASSY	800-900437-07	EHXH
641	1C		G01-4374-08	CD COVER SPRIN	60500033703(6)	
642	1B,2B		D39-0631-08	DAMPER GEAR	68200030302(8)	
643	2B		F07-2026-08	PU COVER	68900008803(2)	
644	2B	*	D40-1856-08	CD MECH DA11VF	20002000100(9)	
645	2B		J02-1563-08	CD DAMPER (BLU)	62200275011(1)	
646	2B		J02-1564-08	CD DAMPER (GRY)	62200275012(2)	
649	1C	*	A80-4535-08	REAR CABINET	69300420017(6)	
△ 650	2C		E30-7342-08	AC CORD	23402000102(4)	XH
△ 650	2C		E30-7373-08	AC CORD	23402000100(2)	EHES
651	2C		J02-1563-08	RUBBER FOOT	62200030000(3)	
△ 652	2C		J19-6436-08	AC CORD HOLDER	68900033722(3)	
658	2C		N29-0297-08	FIBER WASHER		
660	2A	*	K29-8501-08	DISPLAY/REC KN	68400033708(8)	
661	2A	*	K29-8502-08	VOLUME KNOB	68400033706(6)	
663	2B		G01-4371-08	CASSETTE LATCH	60500000502(4)	
664	2B		J22-1259-08	CASSETTE LID L	68900000502(1)	
665	2A	*	K29-8503-08	SERACH KNOB	68400033710(9)	
666	2B	*	K29-8504-08	CD/TUNER/TAPE	68400033711(1)	
667	2B		D40-1847-08	CASSETTE MECHA	20803043701(6)	
672	2B		N09-5542-08	DAMPER SCREW	61809261002(6)	
673	1A		F07-2029-08	ANT COVER	68900420040(1)	
674	1A		T90-0908-08	AM ANT, LOOP	22200491002(1)	
675	1A	*	A70-1709-08	REMOTE CONTROL	800-VREKEN-03	EHES
675	1A	*	A70-1710-08	REMOTE CONTROL	800-XREKEN-00	XH
678	2B		E41-1350-08	FFC 16P		
680	2C	*	T90-0920-08	FM ANT PIG	17300030002(7)	

L : Scandinavia K : USA P : Canada R : Mexico C : China I : Malaysia
Y : PX(Far East,Hawaii) T : England E : Europe G : Germany V : China(Shanghai)
Y : AAFES(Europe) X : Australia Q : Russia H : Korea M : Other Areas △ indicates safety critical components .

* New Parts
Parts without **Parts No.** are not supplied.
Les articles non mentionnés dans le **Parts No.** ne sont pas fournis.
Teile ohne **Parts No.** werden nicht geliefert.

②

Ref. No	Add-ress	New Parts	Parts No.	Description	Desti-nation	Re-marks
SP		*	T19-0247-08	SPEAKER UNIT	22000033704(4)	EHXH
SP		*	T19-0248-08	SPEAKER UNIT	22000033706(6)	ES
ELECTRIC PARS						
LCD101			B38-0275-08	LCD	35100043702(5)	
LED180			B30-2676-08	LED BLUE COLOR	31303033702(2)	E
LED180			B30-2682-08	LED ORG 304SCC	31303043703(9)	X
LED181		*	B30-2689-08	LED ELT-3142D	31303002204(2)	
LED182			B30-2676-08	LED BLUE COLOR	31303033702(2)	E
LED182			B30-2682-08	LED ORG 304SCC	31303043703(9)	X
C101			CD04BJ0J471M	ELECTRO	470UF	6.3WV
C102			CK73GB1H104K	CHIP C	0.10UF	K
C103			CD04BJ1C100M	ELECTRO	10UF	16WV
C104			CK73GB1H104K	CHIP C	0.10UF	K
C105,106			CC73GCH1H240J	CHIP C	24PF	J
C107,108			CC73GCH1H200J	CHIP C	20PF	J
C109			CD04BJ1A221M	ELECTRO	220UF	10WV
C114-118			CK73GB1H103K	CHIP C	0.010UF	K
C119			CK73GB1H104K	CHIP C	0.10UF	K
C120			CK73GB1H223K	CHIP C	0.022UF	K
C121			CD04BJ1A470M	ELECTRO	47UF	10WV
C150			CK73GCH1H101J	CHIP C	100PF	J
C151			RK73GB1J000J	CHIP R	0	J 1/16W
C172			CK73GB1H223K	CHIP C	0.022UF	K
C180			CD04BJ1A470M	ELECTRO	47UF	10WV
C183			CK73GB1H223K	CHIP C	0.022UF	K
C200			CK73GB1H102K	CHIP C	1000PF	K
C201			RK73GB1J000J	CHIP R	0	J 1/16W
C203			C91-1708-08	CHIP C	0.47UF	K
C204			CK73GB1H103K	CHIP C	0.010UF	K
C205			RK73GB1J000J	CHIP R	0	J 1/16W
C206			CK73GB1H223K	CHIP C	0.022UF	K
C207			CD04BJ1H4R7M	ELECTRO	4.7UF	50WV
C208-210			CK73GB1H103K	CHIP C	0.010UF	K
C211,212			CK73GB1H105Z	CHIP C	1.0UF	Z
C213,214			CK73GB1H223K	CHIP C	0.022UF	K
C215,216			CK73GB1H152K	CHIP C	1500PF	K
C217			CK73GB1H223K	CHIP C	0.022UF	K
C218,219			CK73GB1H104K	CHIP C	0.10UF	K
C220			CK73GB1H105Z	CHIP C	1.0UF	Z
C221			CK73GB1H104K	CHIP C	0.10UF	K
C222			CK73GB1H105Z	CHIP C	1.0UF	Z
C223			CK73GB1H331J	CHIP C	330PF	J
C224			CK73GB1H223K	CHIP C	0.022UF	K
C225			CC73GCH1H470J	CHIP C	47PF	J
C226			CC73GCH1H180J	CHIP C	18PF	J
C227			CK73GB1H473K	CHIP C	0.047UF	K
C229			CK73GB1H153K	CHIP C	0.015UF	K
C230			CC73GCH1H180J	CHIP C	18PF	J
C231			CK73GB1H102K	CHIP C	1000PF	K
C232			CC73GCH1H030J	CHIP C	3.0PF	J
C233			CK73GB1H102K	CHIP C	1000PF	K
C234			CK73GB1H473K	CHIP C	0.047UF	K
C235			CK73GB1H223K	CHIP C	0.022UF	K
C236			CD04BJ1A221M	ELECTRO	220UF	10WV

L : Scandinavia K : USA P : Canada R : Mexico C : China I : Malaysia
Y : PX(Far East,Hawaii) T : England E : Europe G : Germany V : China(Shanghai)
Y : AAFES(Europe) X : Australia Q : Russia H : Korea M : Other Areas △ indicates safety critical components .

* New Parts

Parts without **Parts No.** are not supplied.

Les articles non mentionnés dans le **Parts No.** ne sont pas fournis.

Teile ohne **Parts No.** werden nicht geliefert.

3

Ref. No	Add-ress	New Parts	Parts No.	Description	Desti-nation	Re-marks
C237			CC73GCH1H330J	CHIP C 33PF J		
C238			C91-1685-08	FILM C 390PF J		
C239			CK73GB1H473K	CHIP C 0.047UF K		
C240			CD04BJ1H010M	ELECTRO 1.0UF 50WV		
C241			CC73GCH1H150J	CHIP C 15PF J		
C242			CK73GB1H473K	CHIP C 0.047UF K		
C247,248			CK73GB1H102K	CHIP C 1000PF K		
C252			CK73GB1H104K	CHIP C 0.10UF K		
C253			CC73GCH1H271J	CHIP C 270PF J		
C254			CD04BJ1H2R2M	ELECTRO 2.2UF 50WV		
C255			CK73GB1H561J	CHIP C 560PF J		
C256			CK73GB1H473K	CHIP C 0.047UF K		
C257			CD04BJ1C101M	ELECTRO 100UF 16WV		
C258,259			CC73GCH1H560J	CHIP C 56PF J		
C260			CC73GCH1H300J	CHIP C 30PF J		
C261			CC73GCH1H330J	CHIP C 33PF J		
C262			CK73GB1H223K	CHIP C 0.022UF K		
C263			CD04BJ1C101M	ELECTRO 100UF 16WV		
C264			CK73GB1H103K	CHIP C 0.010UF K		
C265			CK73GB1H102K	CHIP C 1000PF K		
C266			CD04BJ1H3R3M	ELECTRO 3.3UF 50WV		
C267,268			CK73GB1H223K	CHIP C 0.022UF K		
C269			CD04BJ1H2R2M	ELECTRO 2.2UF 50WV		
C270,271			CK73GB1H223K	CHIP C 0.022UF K		
C272			CD04BJ1C101M	ELECTRO 100UF 16WV		
C273			CK73GB1H104K	CHIP C 0.10UF K		
C274			CC73GCH1H101J	CHIP C 100PF J		
C285-287			CC73GCH1H101J	CHIP C 100PF J		
C290			CD04BJ1C101M	ELECTRO 100UF 16WV		
C293			C91-0757-05	CERAMIC 1000PF K		
C294			CK73GB1H102K	CHIP C 1000PF K		
C301,302			CK73GB1H102K	CHIP C 1000PF K		
C303,304			CC73GCH1H820J	CHIP C 82PF J		
C305,306			CK73GB1H122K	CHIP C 1200PF K		
C307,308			CD04BJ1H010M	ELECTRO 1.0UF 50WV		
C309,310			CD04BJ1C100M	ELECTRO 10UF 16WV		
C311,312			CC73GCH1H101J	CHIP C 100PF J		
C313,314			CK73GB1H331J	CHIP C 330PF J		
C315,316			CD04BJ1A221M	ELECTRO 220UF 10WV		
C319,320			CC73GCH1H101J	CHIP C 100PF J		
C321,322			CK73GB1H333K	CHIP C 0.033UF K		
C325,326			CK73GB1H393K	CHIP C 0.039UF K		
C327,328			CD04BJ1H4R7M	ELECTRO 4.7UF 50WV		
C329,330			CD04BJ1H010M	ELECTRO 1.0UF 50WV		
C331,332			CK73GB1H102K	CHIP C 1000PF K		
C337,338			CK73GB1H151J	CHIP C 150PF J		
C341			CD04BJ1C470M	ELECTRO 47UF 16WV		
C342			CD04BJ1C100M	ELECTRO 10UF 16WV		
C343			CD04BJ1C331M	ELECTRO 330UF 16WV		
C344			CK73GB1H223K	CHIP C 0.022UF K		
C345			CD04BJ1H3R3M	ELECTRO 3.3UF 50WV		
C346			CD04BJ1C331M	ELECTRO 330UF 16WV		
C347			CK73GB1H223K	CHIP C 0.022UF K		
C348			CK73GB1H104K	CHIP C 0.10UF K		
C349,350			CD04BJ1C101M	ELECTRO 100UF 16WV		

L : Scandinavia K : USA P : Canada R : Mexico C : China I : Malaysia
 Y : PX(Far East,Hawaii) T : England E : Europe G : Germany V : China(Shanghai)
 Y : AAFES(Europe) X : Australia Q : Russia H : Korea M : Other Areas Δ indicates safety critical components.

* New Parts

Parts without **Parts No.** are not supplied.

Les articles non mentionnés dans le **Parts No.** ne sont pas fournis.

Teile ohne **Parts No.** werden nicht geliefert.

4

Ref. No	Add-ress	New Parts	Parts No.	Description	Desti-nation	Re-marks
C351			CK73GB1H102K	CHIP C 1000PF K		
C352			CK73GB1H223K	CHIP C 0.022UF K		
C353			CD04BJ1C101M	ELECTRO 100UF 16WV		
C354,355			CK73GB1H102K	CHIP C 1000PF K		
C356			CK73GB1H103K	CHIP C 0.010UF K		
C357			C91-1682-08	FILM 0.012UF K		
C358			CD04BJ1C220M	ELECTRO 22UF 16WV		
C360			CK73GB1H104K	CHIP C 0.10UF K		
C366			CK73GB1H102K	CHIP C 1000PF K		
C370			CD04BJ1A221M	ELECTRO 220UF 10WV		
C390			C91-0757-05	CERAMIC 1000PF K		
C401-404			CK73GB1H223K	CHIP C 0.022UF K		
C600			CC73GCH1H101J	CHIP C 100PF J		
C601			CK73GB1H223K	CHIP C 0.022UF K		
C602			CD04BJ1C470M	ELECTRO 47UF 16WV		
C603			CK73GB1H223K	CHIP C 0.022UF K		
C604			CD04BJ1C470M	ELECTRO 47UF 16WV		
C605			CC73GCH1H471J	CHIP C 470PF J		
C606			CK73GB1H104K	CHIP C 0.10UF K		
C608			CC73GCH1H471J	CHIP C 470PF J		
C609			CD04BJ1C470M	ELECTRO 47UF 16WV		
C610			CK73GB1H223K	CHIP C 0.022UF K		
C611			CK73GB1H104K	CHIP C 0.10UF K		
C612			CD04BJ1A102M	ELECTRO 1000UF 10WV		
C613			CK73GB1H104K	CHIP C 0.10UF K		
C613A			CK73GB1H104K	CHIP C 0.10UF K		
C614			CK73GB1H473K	CHIP C 0.047UF K		
C615			CK73GB1H104K	CHIP C 0.10UF K		
C618			CD04BJ1C471M	ELECTRO 470UF 16WV		
C619			CK73GB1H104K	CHIP C 0.10UF K		
C620			CD04BJ1C101M	ELECTRO 100UF 16WV		
C620A			CD04BJ1C101M	ELECTRO 100UF 16WV		
C621			CK73GB1H104K	CHIP C 0.10UF K		
C622			CD04BJ1C101M	ELECTRO 100UF 16WV		
C623			CC73GCH1H030J	CHIP C 3.0PF J		
C624,625			CK73GB1H104K	CHIP C 0.10UF K		
C626			CC73GCH1H820J	CHIP C 82PF J		
C627			CK73GB1H472K	CHIP C 4700PF K		
C628,629			CK73GB1H104K	CHIP C 0.10UF K		
C628A			CC73GCH1H221J	CHIP C 220PF J		
C630			CK73GB1H472K	CHIP C 4700PF K		
C631			CC73GCH1H470J	CHIP C 47PF J		
C632			CK73GB1H104K	CHIP C 0.10UF K		
C633			CD04BJ1C470M	ELECTRO 47UF 16WV		
C634			CK73GB1H103K	CHIP C 0.010UF K		
C635			CK73GB1H272J	CHIP C 2700PF J		
C636			CK73GB1H104K	CHIP C 0.10UF K		
C638,639			CK73GB1H333K	CHIP C 0.033UF K		
C640			CD04BJ1C470M	ELECTRO 47UF 16WV		
C641,642			CK73GB1H104K	CHIP C 0.10UF K		
C643			CD04BJ1C470M	ELECTRO 47UF 16WV		
C644			CK73GB1H104K	CHIP C 0.10UF K		
C645			CD04BJ1C100M	ELECTRO 10UF 16WV		
C648,649			CK73GB1H473K	CHIP C 0.047UF K		
C650,651			CC73GCH1H471J	CHIP C 470PF J		

L : Scandinavia K : USA P : Canada R : Mexico C : China I : Malaysia
 Y : PX(Far East,Hawaii) T : England E : Europe G : Germany V : China(Shanghai)
 Y : AAFES(Europe) X : Australia Q : Russia H : Korea M : Other Areas Δ indicates safety critical components.

PARTS LIST

RXD-M47WM/LS-M47WM

* New Parts
Parts without **Parts No.** are not supplied.
Les articles non mentionnés dans le **Parts No.** ne sont pas fournis.
Teile ohne **Parts No.** werden nicht geliefert.

5

Ref. No	Add-ress	New Parts	Parts No.	Description	Desti-nation	Re-marks
C652,653			CK73GB1H104K	CHIP C	0.10UF	K
C654,655			CC73GCH1H150J	CHIP C	15PF	J
C659			RK73GB1J682J	CHIP R	6.8K	J 1/16W
C663			CK73GB1H104K	CHIP C	0.10UF	K
C670,671			CK73GB1H104K	CHIP C	0.10UF	K
C672			CK73GB1H103K	CHIP C	0.010UF	K
C673			CD04BJ1A221M	ELECTRO	220UF	10WV
C674			CK73GB1H104K	CHIP C	0.10UF	K
C675,676			CD04BJ1C220M	ELECTRO	22UF	16WV
C677,678			CK73GB1H222K	CHIP C	2200PF	K
C679			CD04BJ1C470M	ELECTRO	47UF	16WV
C680			CD04BJ1A221M	ELECTRO	220UF	10WV
C681			CK73GB1H222K	CHIP C	2200PF	K
C682			CD04BJ1C470M	ELECTRO	47UF	16WV
C683-690			CK73GB1H104K	CHIP C	0.10UF	K
C691-698			CC73GCH1H221J	CHIP C	220PF	J
C699			CK73GB1H104K	CHIP C	0.10UF	K
C701			CK73GB1H104K	CHIP C	0.10UF	K
C705			CD04BJ1C220M	ELECTRO	22UF	16WV
C706			CK73GB1H223K	CHIP C	0.022UF	K
C707			CD04BJ1A221M	ELECTRO	220UF	10WV
C708			CK73GB1H223K	CHIP C	0.022UF	K
C709,710			CK73GB1H105Z	CHIP C	1.0UF	Z
C711,712			CD04BJ1HR47M	ELECTRO	0.47UF	50WV
C713,714			CD04BJ1H010M	ELECTRO	1.0UF	50WV
C715,716			CK73GB1H332K	CHIP C	3300PF	K
C717,718			CD04BJ1H010M	ELECTRO	1.0UF	50WV
C719,720			CD04BJ1H4R7M	ELECTRO	4.7UF	50WV
C721-724			CK73GB1H334K	CHIP C	0.33UF	K
C725,726			CD04BJ1H010M	ELECTRO	1.0UF	50WV
C727,728			CK73GB1H392K	CHIP C	3900PF	K
C729,730			CC73GCH1H221J	CHIP C	220PF	J
C733,734			CK73GB1H104K	CHIP C	0.10UF	K
C740			CC73GCH1H470J	CHIP C	47PF	J
C741			CD04BJ1H010M	ELECTRO	1.0UF	50WV
C742			CC73GCH1H470J	CHIP C	47PF	J
C743			CD04BJ1H010M	ELECTRO	1.0UF	50WV
C745			CD04BJ1C221M	ELECTRO	220UF	16WV
C801			CD04BJ1H4R7M	ELECTRO	4.7UF	50WV
C802			CD04BJ1C100M	ELECTRO	10UF	16WV
C803,804			CD04BJ1HR47M	ELECTRO	0.47UF	50WV
C805,806			CK73GB1H331J	CHIP C	330PF	J
C809,810			CD04BJ1C470M	ELECTRO	47UF	16WV
C811,812			CD04BJ1C332M	ELECTRO	3300UF	16WV
C813,814			CD04BJ1C101M	ELECTRO	100UF	16WV
C815,816			C91-1681-08	FILM	0.1UF	K
C817			CK73GB1H104K	CHIP C	0.10UF	K
C818			CD04BJ1E331M	ELECTRO	330UF	25WV
C819			CD04BJ1E472M	ELECTRO	4700UF	25WV
C820			C91-1707-08	CERAMIC	0.022UF	Z
C821,822			CK73GB1H152K	CHIP C	1500PF	K
C823,824			CC73GCH1H101J	CHIP C	100PF	J
C825,826			CK73GB1H331J	CHIP C	330PF	J
C827,828			CK73GB1H223K	CHIP C	0.022UF	K
C830			CD04BJ1C101M	ELECTRO	100UF	16WV

L : Scandinavia K : USA P : Canada R : Mexico C : China I : Malaysia
Y : PX(Far East,Hawaii) T : England E : Europe G : Germany V : China(Shanghai)
Y : AAFES(Europe) X : Australia Q : Russia H : Korea M : Other Areas Δ indicates safety critical components .

* New Parts
Parts without **Parts No.** are not supplied.
Les articles non mentionnés dans le **Parts No.** ne sont pas fournis.
Teile ohne **Parts No.** werden nicht geliefert.

6

Ref. No	Add-ress	New Parts	Parts No.	Description	Desti-nation	Re-marks
C831			CD04BJ1C221M	ELECTRO	220UF	16WV
C832			CD04BJ1C101M	ELECTRO	100UF	16WV
C833			CD04BJ1C100M	ELECTRO	10UF	16WV
C836			CK73GB1H102K	CHIP C	1000PF	K
C857			CD04BJ1C470M	ELECTRO	47UF	16WV
C882			CC73GCH1H101J	CHIP C	100PF	J
C901			CD04BJ1C471M	ELECTRO	470UF	16WV
C902			C91-1707-08	CERAMIC	0.022UF	Z
C903			C91-1686-08	CERAMIC	0.001UF	250VAC
C904-906			C91-1707-08	CERAMIC	0.022UF	Z
C907,908			C91-0757-05	CERAMIC	1000PF	K
C6100-4			CK73GB1H104K	CHIP C	0.10UF	K
C6106			CK73GB1H104K	CHIP C	0.10UF	K
C6107,8			CD04BJ1C470M	ELECTRO	47UF	16WV
C6109			CD04BJ1C101M	ELECTRO	100UF	16WV
C6110,1			CK73GB1H473K	CHIP C	0.047UF	K
C6112,3			CD04BJ1H010M	ELECTRO	1.0UF	50WV
C6114			CK73GB1H104K	CHIP C	0.10UF	K
C6119,20			CK73GB1H104K	CHIP C	0.10UF	K
VC201			C91-1684-08	TRIMMING CAP	118-200070-03(4)	
VC202			C91-1683-08	TRIMMING CAP	118-100070-05(3)	
CN202			E40-8089-08	CONNECTOR 2P	26001202005(5)	
CN601			E41-1497-08	FFC SOCKET (16	23808016014(6)	
CN802			E70-0196-08	SPEAKER TERMIN	26200000605(2)	
JK801			E63-1365-08	HEAD PHONE JAC	27002123504(9)	
Δ F901,902			F50-0262-08	FUSE 3.15A,250	37005731204(2)	
BPF201		*	L79-1309-08	FM BP FILTER	15208000105(1)	
CF201		*	L79-1303-08	CERAMIC FILTER	15905045005(9)	
CF202		*	L72-0650-08	CERAMIC FILTER	15905010715(3)	
CF203		*	L79-1302-08	DISCRIMINATOR	16005010707(6)	
CN105		*	L92-0821-08	FERRITE CORE	16900434413(9)	
CN604		*	L92-0839-08	FERRITE CORE	16900434416(3)	
CN605		*	L92-0839-08	FERRITE CORE	16900434416(3)	
FB301-306		*	L92-0840-08	FERRITE BEAD	16600434402(2)	
FB801,802		*	L92-0840-08	FERRITE BEAD	16600434402(2)	
J240,241		*	L33-1735-08	CHOCK COIL	15204008003(4)	
J668		*	L92-0841-08	FERRITE BEAD	16600434401(1)	
L101		*	L92-0818-08	INDUCTOR	16207047103(6)	
L203		*	L32-1063-08	FM COIL	15302505503(6)	
L204		*	L32-1064-08	FM COIL	15303505502(9)	
L205		*	L92-0814-08	INDUCTOR	16207010106(5)	
L301,302		*	L33-1704-08	CHOCK COIL	15204047404(9)	
L601A		*	L92-0842-08	TOROIDAL COIL	15000100000(2)	
L603		*	L92-0818-08	INDUCTOR	16207047103(6)	
L606,607		*	L92-0843-08	INDUCTOR	16207047104(7)	
L609,610		*	L92-0818-08	INDUCTOR	16207047103(6)	
L611		*	L92-0844-08	INDUCTOR	16207010105(4)	
L612,613		*	L92-0845-08	FERRITE BEAD	16800420002(3)	
L614		*	L92-0843-08	INDUCTOR	16207047104(7)	
L803,804		*	L33-1736-08	CHOCK COIL	15204008003(4)	
L806-808		*	L92-0846-08	FERRITE COIL	15200434405(5)	
L809,810		*	L92-0847-08	INDUCTOR	16207010206(4)	
L810		*	L92-0818-08	INDUCTOR	16207047103(6)	

L : Scandinavia K : USA P : Canada R : Mexico C : China I : Malaysia
Y : PX(Far East,Hawaii) T : England E : Europe G : Germany V : China(Shanghai)
Y : AAFES(Europe) X : Australia Q : Russia H : Korea M : Other Areas Δ indicates safety critical components .

* New Parts

Parts without **Parts No.** are not supplied.

Les articles non mentionnés dans le **Parts No.** ne sont pas fournis.

Teile ohne **Parts No.** werden nicht geliefert.

7

Ref. No	Add-ress	New Parts	Parts No.	Description	Desti-nation	Re-marks
Δ L901			L33-1703-08	CHOCK COIL 15500040001(5)		
T201			L30-0992-08	AM IFT 14000520001(7)		
T202			E35-3714-08	IFT 10MM RED 14000101401(5)		
T203			L33-1062-08	AM ANT COIL 15208643601(4)		
T360			L32-1060-08	REC BIAS OSC 15200005303(9)		
Δ T901			L07-3304-08	POWER TRANSFOR 17700043703(9)	E	
Δ T901		*	L07-3338-08	POWER TRANSFOR 17700043704(1)	X	
Δ T902		*	L07-3319-08	POWER TRANSFOR 17700033705(5)	E	
Δ T902		*	L07-3339-08	POWER TRANSFOR 17700033708(8)	X	
X101			L77-2443-08	CRYSTAL 7.2MHz 29000720007(2)		
X102			L77-2438-08	CRYSTAL 32.768 29003276807(8)		
X250			L77-2435-08	CRYSTAL 4.332 29000433205(1)		
X260			L77-2436-08	CRYSTAL 7.2MHz 29000720007(2)		
X601			L77-2437-08	CRYSTAL 16.934 29001693408(7)		
C251			RK73GB1J222J	CHIP R 2.2K J 1/16W		
J130			RK73GB1J102J	CHIP R 1.0K J 1/16W		
J146			RK73GB1J102J	CHIP R 1.0K J 1/16W		
J614			RK73GB1J182J	CHIP R 1.8K J 1/16W		
J616			RK73FB2B000J	CHIP R 0 J 1/8W		
J654			RK73GB1J102J	CHIP R 1.0K J 1/16W		
J661,662			RK73GB1J102J	CHIP R 1.0K J 1/16W		
J666			RK73GB1J682J	CHIP R 6.8K J 1/16W		
J671			RK73GB1J221J	CHIP R 220 J 1/16W		
J675			RK73GB1J221J	CHIP R 220 J 1/16W		
L170-173			RK73GB1J102J	CHIP R 1.0K J 1/16W		
L175-180			RK73GB1J102J	CHIP R 1.0K J 1/16W		
L801,802			RK73GB1J000J	CHIP R 0 J 1/16W		
R100			RK73GB1J104J	CHIP R 100K J 1/16W		
R101			RK73GB1J473J	CHIP R 47K J 1/16W		
R102			RK73GB1J332J	CHIP R 3.3K J 1/16W		
R103			RK73GB1J103J	CHIP R 10K J 1/16W		
R104			RK73GB1J222J	CHIP R 2.2K J 1/16W		
R106			RK73GB1J103J	CHIP R 10K J 1/16W		
R107			RK73GB1J221J	CHIP R 220 J 1/16W		
R108			RK73GB1J472J	CHIP R 4.7K J 1/16W		
R109,110			RK73GB1J102J	CHIP R 1.0K J 1/16W		
R111-113			RK73GB1J103J	CHIP R 10K J 1/16W		
R114			RK73GB1J472J	CHIP R 4.7K J 1/16W		
R116			RK73GB1J472J	CHIP R 4.7K J 1/16W		
R117-119			RK73GB1J102J	CHIP R 1.0K J 1/16W		
R123,124			RK73GB1J102J	CHIP R 1.0K J 1/16W		
R128-135			RK73GB1J103J	CHIP R 10K J 1/16W		
R136			RK73GB1J102J	CHIP R 1.0K J 1/16W		
R137			RK73GB1J393J	CHIP R 39K J 1/16W		
R138			RK73GB1J222J	CHIP R 2.2K J 1/16W		
R139			RK73GB1J103J	CHIP R 10K J 1/16W		
R140			RK73GB1J220J	CHIP R 22 J 1/16W		
R141,142			RK73GB1J103J	CHIP R 10K J 1/16W		
R143-145			RK73GB1J102J	CHIP R 1.0K J 1/16W		
R146			RK73GB1J472J	CHIP R 4.7K J 1/16W		
R147,148			RK73GB1J102J	CHIP R 1.0K J 1/16W		
R149			RK73GB1J103J	CHIP R 10K J 1/16W		
R150			RK73GB1J471J	CHIP R 470 J 1/16W		
R151			RK73GB1J681J	CHIP R 680 J 1/16W		

L : Scandinavia K : USA P : Canada R : Mexico C : China I : Malaysia
 Y : PX(Far East,Hawaii) T : England E : Europe G : Germany V : China(Shanghai)
 Y : AAFES(Europe) X : Australia Q : Russia H : Korea M : Other Areas Δ indicates safety critical components .

* New Parts

Parts without **Parts No.** are not supplied.

Les articles non mentionnés dans le **Parts No.** ne sont pas fournis.

Teile ohne **Parts No.** werden nicht geliefert.

8

Ref. No	Add-ress	New Parts	Parts No.	Description	Desti-nation	Re-marks
R152,513			RK73GB1J102J	CHIP R 1.0K J 1/16W		
R154			RK73GB1J152J	CHIP R 1.5K J 1/16W		
R155			RK73GB1J182J	CHIP R 1.8K J 1/16W		
R156			RK73GB1J222J	CHIP R 2.2K J 1/16W		
R157			RK73GB1J122J	CHIP R 1.2K J 1/16W		
R158			RK73GB1J100J	CHIP R 10 J 1/16W		
R159			RK73GB1J103J	CHIP R 10K J 1/16W		
R160			RK73GB1J750J	CHIP R 75 J 1/16W		
R161			RK73GB1J471J	CHIP R 470 J 1/16W		
R162			RK73GB1J681J	CHIP R 680 J 1/16W		
R163			RK73GB1J102J	CHIP R 1.0K J 1/16W		
R164			RK73GB1J122J	CHIP R 1.2K J 1/16W		
R165			RK73GB1J102J	CHIP R 1.0K J 1/16W		
R166			RK73GB1J152J	CHIP R 1.5K J 1/16W		
R167			RK73GB1J182J	CHIP R 1.8K J 1/16W		
R168			RK73GB1J222J	CHIP R 2.2K J 1/16W		
R169			RK73GB1J272J	CHIP R 2.7K J 1/16W		
R170			RK73GB1J102J	CHIP R 1.0K J 1/16W		
R173			RK73GB1J750J	CHIP R 75 J 1/16W		
R174			RK73GB1J222J	CHIP R 2.2K J 1/16W		
R180			RK73GB1J101J	CHIP R 100 J 1/16W		
R181,182			RK73GB1J103J	CHIP R 10K J 1/16W		
R183			RK73GB1J332J	CHIP R 3.3K J 1/16W		
R184,185			RK73GB1J101J	CHIP R 100 J 1/16W		
R184,185			RK73GB1J151J	CHIP R 150 J 1/16W		
R186			RK73GB1J104J	CHIP R 100K J 1/16W		
R188			RK73GB1J102J	CHIP R 1.0K J 1/16W		
R200			RK73GB1J274J	CHIP R 270K J 1/16W		
R201			RK73GB1J331J	CHIP R 330 J 1/16W		
R202			RK73GB1J154J	CHIP R 150K J 1/16W		
R203			RK73GB1J102J	CHIP R 1.0K J 1/16W		
R204			RK73GB1J100J	CHIP R 10 J 1/16W		
R205			RK73GB1J274J	CHIP R 270K J 1/16W		
R206			RK73GB1J152J	CHIP R 1.5K J 1/16W		
R207			RK73GB1J103J	CHIP R 10K J 1/16W		
R208			RK73GB1J334J	CHIP R 330K J 1/16W		
R209,210			RK73GB1J100J	CHIP R 10 J 1/16W		
R211,212			RK73GB1J123J	CHIP R 12K J 1/16W		
R213,214			RK73GB1J562J	CHIP R 5.6K J 1/16W		
R215			RK73GB1J473J	CHIP R 47K J 1/16W		
R216,217			RK73GB1J102J	CHIP R 1.0K J 1/16W		
R218			RK73GB1J473J	CHIP R 47K J 1/16W		
R219			RK73GB1J474J	CHIP R 470K J 1/16W		
R220			RK73GB1J101J	CHIP R 100 J 1/16W		
R221			RK73GB1J561J	CHIP R 560 J 1/16W		
R223			RK73GB1J332J	CHIP R 3.3K J 1/16W		
R226			RK73GB1J104J	CHIP R 100K J 1/16W		
R229			RK73GB1J104J	CHIP R 100K J 1/16W		
R231			RK73GB1J473J	CHIP R 47K J 1/16W		
R233			RK73GB1J101J	CHIP R 100 J 1/16W		
R234,235			RK73GB1J103J	CHIP R 10K J 1/16W		
R237			RK73GB1J681J	CHIP R 680 J 1/16W		
R238,239			RK73GB1J103J	CHIP R 10K J 1/16W		
R242			RK73GB1J223J	CHIP R 22K J 1/16W		
R247,248			RK73GB1J822J	CHIP R 8.2K J 1/16W		

L : Scandinavia K : USA P : Canada R : Mexico C : China I : Malaysia
 Y : PX(Far East,Hawaii) T : England E : Europe G : Germany V : China(Shanghai)
 Y : AAFES(Europe) X : Australia Q : Russia H : Korea M : Other Areas Δ indicates safety critical components .

PARTS LIST

RXD-M47WM/LS-M47WM

* New Parts
Parts without **Parts No.** are not supplied.
Les articles non mentionnés dans le **Parts No.** ne sont pas fournis.
Teile ohne **Parts No.** werden nicht geliefert.

9

Ref. No	Add-ress	New Parts	Parts No.	Description	Desti-nation	Re-marks
R254			RK73GB1J220J	CHIP R 22 J 1/16W		
R256			RK73GB1J104J	CHIP R 100K J 1/16W		
R258			RK73GB1J220J	CHIP R 22 J 1/16W		
R259			RK73GB1J103J	CHIP R 10K J 1/16W		
R261-263			RK73GB1J102J	CHIP R 1.0K J 1/16W		
R265,266			RK73GB1J102J	CHIP R 1.0K J 1/16W		
R267			RK73GB1J561J	CHIP R 560 J 1/16W		
R268,269			RK73GB1J152J	CHIP R 1.5K J 1/16W		
R270			RK73GB1J102J	CHIP R 1.0K J 1/16W		
R271,272			RK73GB1J103J	CHIP R 10K J 1/16W		
R274-277			RK73GB1J103J	CHIP R 10K J 1/16W		
R278			RK73GB1J000J	CHIP R 0 J 1/16W		
R280			RK73GB1J103J	CHIP R 10K J 1/16W		
R283			RK73GB1J103J	CHIP R 10K J 1/16W		
R284			RK73GB1J102J	CHIP R 1.0K J 1/16W		
R285			RK73GB1J472J	CHIP R 4.7K J 1/16W		
R286			RK73GB1J104J	CHIP R 100K J 1/16W		
R288			RK73GB1J103J	CHIP R 10K J 1/16W		
R297			RK73GB1J103J	CHIP R 10K J 1/16W		
R301-304			RK73GB1J332J	CHIP R 3.3K J 1/16W		
R305,306			RK73GB1J222J	CHIP R 2.2K J 1/16W		
R307-310			RK73GB1J473J	CHIP R 47K J 1/16W		
R311			RK73GB1J823J	CHIP R 82K J 1/16W		
R313-315			RK73GB1J103J	CHIP R 10K J 1/16W		
R316			RK73GB1J681J	CHIP R 680 J 1/16W		
R317,318			RK73GB1J223J	CHIP R 22K J 1/16W		
R319,320			RK73GB1J102J	CHIP R 1.0K J 1/16W		
R321,322			RK73GB1J330J	CHIP R 33 J 1/16W		
R323-326			RK73GB1J472J	CHIP R 4.7K J 1/16W		
R327,328			RK73GB1J183J	CHIP R 18K J 1/16W		
R331			RK73GB1J103J	CHIP R 10K J 1/16W		
R333-338			RK73GB1J124J	CHIP R 120K J 1/16W		
R339			RK73GB1J561J	CHIP R 560 J 1/16W		
R340			RK73GB1J823J	CHIP R 82K J 1/16W		
R341			RK73GB1J473J	CHIP R 47K J 1/16W		
R342			RK73GB1J684J	CHIP R 680K J 1/16W		
R343			RK73GB1J472J	CHIP R 4.7K J 1/16W		
R344			RK73GB1J104J	CHIP R 100K J 1/16W		
R345,346			RK73GB1J473J	CHIP R 47K J 1/16W		
R347			RK73GB1J103J	CHIP R 10K J 1/16W		
R348			RK73GB1J472J	CHIP R 4.7K J 1/16W		
R349			RK73GB1J104J	CHIP R 100K J 1/16W		
R350			RK73GB1J103J	CHIP R 10K J 1/16W		
R351			RK73GB1J472J	CHIP R 4.7K J 1/16W		
R352			RK73GB1J561J	CHIP R 560 J 1/16W		
R353,354			RK73GB1J102J	CHIP R 1.0K J 1/16W		
R355			RK73GB1J223J	CHIP R 22K J 1/16W		
R357			RK73GB1J561J	CHIP R 560 J 1/16W		
R360			RK73GB1J4R7J	CHIP R 4.7 J 1/16W		
R365			RK73GB1J273J	CHIP R 27K J 1/16W		
R366			RK73GB1J103J	CHIP R 10K J 1/16W		
R367			RK73GB1J000J	CHIP R 0 J 1/16W		
R368			RK73GB1J103J	CHIP R 10K J 1/16W		
R402			RK73GB1J124J	CHIP R 120K J 1/16W		
R403			RK73GB1J103J	CHIP R 10K J 1/16W		

L : Scandinavia K : USA P : Canada R : Mexico C : China I : Malaysia
Y : PX(Far East,Hawaii) T : England E : Europe G : Germany V : China(Shanghai)
Y : AAFES(Europe) X : Australia Q : Russia H : Korea M : Other Areas Δ indicates safety critical components .

* New Parts
Parts without **Parts No.** are not supplied.
Les articles non mentionnés dans le **Parts No.** ne sont pas fournis.
Teile ohne **Parts No.** werden nicht geliefert.

10

Ref. No	Add-ress	New Parts	Parts No.	Description	Desti-nation	Re-marks
R405			RK73GB1J103J	CHIP R 10K J 1/16W		
R407			RK73GB1J103J	CHIP R 10K J 1/16W		
R408			RK73GB1J104J	CHIP R 100K J 1/16W		
R409			RK73GB1J102J	CHIP R 1.0K J 1/16W		
R410			RK73GB1J104J	CHIP R 100K J 1/16W		
Δ R411			RD14BB2E4R7J	RD 4.7 J 1/4W		
R412			RK73GB1J103J	CHIP R 10K J 1/16W		
R413			RK73GB1J104J	CHIP R 100K J 1/16W		
R414			RK73GB1J102J	CHIP R 1.0K J 1/16W		
R415			RK73GB1J104J	CHIP R 100K J 1/16W		
Δ R416			RD14BB2E4R7J	RD 4.7 J 1/4W		
R417			RK73GB1J103J	CHIP R 10K J 1/16W		
R602			RK73GB1J561J	CHIP R 560 J 1/16W		
R604			RK73GB1J152J	CHIP R 1.5K J 1/16W		
R605			RK73GB1J561J	CHIP R 560 J 1/16W		
R607			RK73GB1J103J	CHIP R 10K J 1/16W		
R608			RK73GB1J472J	CHIP R 4.7K J 1/16W		
R609			RK73GB1J332J	CHIP R 3.3K J 1/16W		
R610			RK73GB1J100J	CHIP R 10 J 1/16W		
R611			RK73GB1J103J	CHIP R 10K J 1/16W		
R612			RK73GB1J000J	CHIP R 0 J 1/16W		
R613			RK73GB1J225J	CHIP R 2.2M J 1/16W		
R614			RK73GB1J221J	CHIP R 220 J 1/16W		
R615			RK73GB1J823J	CHIP R 82K J 1/16W		
R616-619			RK73GB1J184J	CHIP R 180K J 1/16W		
R620			RK73GB1J823J	CHIP R 82K J 1/16W		
R621			RK73GB1J101J	CHIP R 100 J 1/16W		
R622			RK73GB1J223J	CHIP R 22K J 1/16W		
R623			RK73GB1J333J	CHIP R 33K J 1/16W		
R624			RK73GB1J102J	CHIP R 1.0K J 1/16W		
R625			RK73GB1J222J	CHIP R 2.2K J 1/16W		
R626			RK73GB1J103J	CHIP R 10K J 1/16W		
R627			RK73GB1J221J	CHIP R 220 J 1/16W		
R628			RK73GB1J102J	CHIP R 1.0K J 1/16W		
R629			RK73GB1J393J	CHIP R 39K J 1/16W		
R631			RK73GB1J332J	CHIP R 3.3K J 1/16W		
R632			RK73GB1J562J	CHIP R 5.6K J 1/16W		
R633			RK73GB1J473J	CHIP R 47K J 1/16W		
R634			RK73GB1J474J	CHIP R 470K J 1/16W		
R635			RK73GB1J153J	CHIP R 15K J 1/16W		
R636			RK73GB1J225J	CHIP R 2.2M J 1/16W		
R637			RK73GB1J103J	CHIP R 10K J 1/16W		
R638-640			RK73GB1J562J	CHIP R 5.6K J 1/16W		
R644-651			RK73GB1J102J	CHIP R 1.0K J 1/16W		
R653			RK73GB1J123J	CHIP R 12K J 1/16W		
R654			RK73GB1J100J	CHIP R 10 J 1/16W		
R655			RK73GB1J105J	CHIP R 1.0M J 1/16W		
R656			RK73GB1J561J	CHIP R 560 J 1/16W		
R657			RK73GB1J101J	CHIP R 100 J 1/16W		
R658			RK73GB1J222J	CHIP R 2.2K J 1/16W		
R659			RK73GB1J103J	CHIP R 10K J 1/16W		
R660			RK73GB1J101J	CHIP R 100 J 1/16W		
R661			RK73GB1J222J	CHIP R 2.2K J 1/16W		
R662			RK73GB1J471J	CHIP R 470 J 1/16W		
R663			RK73GB1J000J	CHIP R 0 J 1/16W		

L : Scandinavia K : USA P : Canada R : Mexico C : China I : Malaysia
Y : PX(Far East,Hawaii) T : England E : Europe G : Germany V : China(Shanghai)
Y : AAFES(Europe) X : Australia Q : Russia H : Korea M : Other Areas Δ indicates safety critical components .

* New Parts

Parts without **Parts No.** are not supplied.
Les articles non mentionnés dans le **Parts No.** ne sont pas fournis.
Teile ohne **Parts No.** werden nicht geliefert.

11

Ref. No	Address	New Parts	Parts No.	Description	Destination	Remarks
R664			RK73GB1J472J	CHIP R 4.7K J 1/16W		
R675			RK73GB1J222J	CHIP R 2.2K J 1/16W		
R679			RK73GB1J103J	CHIP R 10K J 1/16W		
R680			RK73GB1J220J	CHIP R 22 J 1/16W		
R681			RK73GB1J103J	CHIP R 10K J 1/16W		
R683			RK73GB1J332J	CHIP R 3.3K J 1/16W		
R684			RK73GB1J222J	CHIP R 2.2K J 1/16W		
R685			RK73GB1J103J	CHIP R 10K J 1/16W		
R686,687			RK73GB1J222J	CHIP R 2.2K J 1/16W		
R688			RK73GB1J472J	CHIP R 4.7K J 1/16W		
R690			RK73GB1J100J	CHIP R 10 J 1/16W		
R695			RK73GB1J333J	CHIP R 33K J 1/16W		
R697			RK73GB1J333J	CHIP R 33K J 1/16W		
R708			RK73GB1J471J	CHIP R 470 J 1/16W		
R709-714			RK73GB1J222J	CHIP R 2.2K J 1/16W		
R715,716			RK73GB1J562J	CHIP R 5.6K J 1/16W		
R717,718			RK73GB1J333J	CHIP R 33K J 1/16W		
R719,720			RK73GB1J332J	CHIP R 3.3K J 1/16W		
R723,724			RK73GB1J102J	CHIP R 1.0K J 1/16W		
R731			RK73GB1J821J	CHIP R 820 J 1/16W		
R732			RK73GB1J394J	CHIP R 390K J 1/16W		
R733			RK73GB1J102J	CHIP R 1.0K J 1/16W		
R734			RK73GB1J472J	CHIP R 4.7K J 1/16W		
R735			RK73GB1J821J	CHIP R 820 J 1/16W		
R736			RK73GB1J394J	CHIP R 390K J 1/16W		
R737			RK73GB1J102J	CHIP R 1.0K J 1/16W		
R738			RK73GB1J472J	CHIP R 4.7K J 1/16W		
R801,802			RK73GB1J123J	CHIP R 12K J 1/16W		
R803			RK73GB1J472J	CHIP R 4.7K J 1/16W		
R804			RK73GB1J473J	CHIP R 4.7K J 1/16W		
R805,806			RK73GB1J472J	CHIP R 4.7K J 1/16W		
R807,808			RK73GB1J152J	CHIP R 1.5K J 1/16W		
R809,810			RK73GB1J333J	CHIP R 33K J 1/16W		
R811,812			RK73GB1J102J	CHIP R 1.0K J 1/16W		
R813,814			RK73GB1J103J	CHIP R 10K J 1/16W		
R815			RK73GB1J220J	CHIP R 22 J 1/16W		
R817			RK73GB1J104J	CHIP R 100K J 1/16W		
R818			RK73GB1J332J	CHIP R 3.3K J 1/16W		
R819			RK73GB1J103J	CHIP R 10K J 1/16W		
R820			RS14DB3A101J	FL-PROOF RS 100 J 1W		
R822			RK73GB1J220J	CHIP R 22 J 1/16W		
R823,824			RK73GB1J331J	CHIP R 330 J 1/16W		
R827			RK73GB1J102J	CHIP R 1.0K J 1/16W		
R828			RK73GB1J103J	CHIP R 10K J 1/16W		
R829,830			RK73GB1J331J	CHIP R 330 J 1/16W		
R832			RK73GB1J473J	CHIP R 47K J 1/16W		
R837			RK73GB1J562J	CHIP R 5.6K J 1/16W		
R902			JUMPER	TINNED WIRE 23200007501(9)		
RY901			S76-0144-08	RELAY 18205010104(6)		
SW100-118			S70-0116-08	TACT SWITCH 18201010119(4)		
D102-106			1N4148	DIODE 30000414807(2)		
D201-204			1N4148	DIODE 30000414808(3)		
D301-305			1N4148	DIODE 30000414808(3)		
D401,402			1N4148	DIODE 30000414808(3)		

L : Scandinavia K : USA P : Canada R : Mexico C : China I : Malaysia
Y : PX(Far East,Hawaii) T : England E : Europe G : Germany V : China(Shanghai)
Y : AAFES(Europe) X : Australia Q : Russia H : Korea M : Other Areas Δ indicates safety critical components .

* New Parts

Parts without **Parts No.** are not supplied.
Les articles non mentionnés dans le **Parts No.** ne sont pas fournis.
Teile ohne **Parts No.** werden nicht geliefert.

12

Ref. No	Address	New Parts	Parts No.	Description	Destination	Remarks
D701			1N4148	DIODE 30000414807(2)		
D802			1N4148	DIODE 30000414807(2)		
D803			1N4001	DIODE 30000400104(8)		
Δ D901-904			1N4001	DIODE 30000400104(8)		
Δ D905,906			RL202	DIODE 3000020206(1)		
D907			1N4148	DIODE 30000414808(3)		
Δ ICP			ICP-N25	IC(PROTECT IC) 5100002502(8)		
IC601		*	TC94A14FA	IC 51000941401(7)		
IC602		*	TA2157FN	IC 51000215701(6)		
IC603		*	MM1669XH	IC 51000166900(8)		
IC604		*	TC94A34FG	IC 51000943400(2)		
IC605		*	PT8211	IC 51000821102(3)		
IC607		*	SC1380LS	IC 51000130803(6)		
Q101			9014	TRANSISTOR 34300901406(4)		
Q180,181			9014	TRANSISTOR 34300901406(4)		
Q182			8550	TRANSISTOR 34300855009(1)		
Q201			9018	TRANSISTOR 34300901804(7)		
Q202-204			9014	TRANSISTOR 34300901406(4)		
Q205-207			9013G	TRANSISTOR 34300901303(2)		
Q208			9014	TRANSISTOR 34300901406(4)		
Q251			8550	TRANSISTOR 34300855009(1)		
Q252			9013G	TRANSISTOR 34300901303(2)		
Q260-263			9014	TRANSISTOR 34300901406(4)		
Q280			9013G	TRANSISTOR 34300901303(2)		
Q281			8550D	TRANSISTOR 34300855008(9)		
Q301-306			2SC2412K	TRANSISTOR 34300241201(8)		
Q307,308			8050	TRANSISTOR 34300805006(4)		
Q309-312			9013G	TRANSISTOR 34300901303(2)		
Q313,314			8050	TRANSISTOR 34300805006(4)		
Q315			9014	TRANSISTOR 34300901406(4)		
Q316			8050	TRANSISTOR 34300805006(4)		
Q317			8550	TRANSISTOR 34300855009(1)		
Q318,319			9013G	TRANSISTOR 34300901303(2)		
Q320			8550	TRANSISTOR 34300855009(1)		
Q321			9013G	TRANSISTOR 34300901303(2)		
Q323			9014	TRANSISTOR 34300901406(4)		
Q401			8550D	TRANSISTOR 34300855008(9)		
Q402,403			9013G	TRANSISTOR 34300901303(2)		
Q404			8550D	TRANSISTOR 34300855008(9)		
Q602			8050D	TRANSISTOR 34300805007(5)		
Q604			8050D	TRANSISTOR 34300805007(5)		
Q605			8550	TRANSISTOR 34300855009(1)		
Q607			8550D	TRANSISTOR 34300855008(9)		
Q701,702			9014	TRANSISTOR 34300901406(4)		
Q801,802			8050	TRANSISTOR 34300805006(4)		
Δ Q803			KTD2058Y	TRANSISTOR 34300205801(6)		
Q804			8550D	TRANSISTOR 34300855008(9)		
Q805			8050	TRANSISTOR 34300805006(4)		
Q806			2SC1383R	TRANSISTOR 34300138303(2)		
Q807			8050	TRANSISTOR 34300805006(4)		
Q902			8050D	TRANSISTOR 34300805007(5)		
U101		*	TMP87EP26-437W	IC 510008726123(3)		
U102			RPM7138-V4	SENSOR RPM7138 30906713801(1)		
U103			M24C16	IC 51000241602(7)		
U201		*	SA2104S	IC 51000210404(4)		

L : Scandinavia K : USA P : Canada R : Mexico C : China I : Malaysia
Y : PX(Far East,Hawaii) T : England E : Europe G : Germany V : China(Shanghai)
Y : AAFES(Europe) X : Australia Q : Russia H : Korea M : Other Areas Δ indicates safety critical components .

PARTS LIST

RXD-M47WM/LS-M47WM

HOW TO READ THE PARTS LIST
ABBREVIATION OF MODEL AND MASS
PRODUCTION'S DESTINATIONS

MODEL	ABB.	Australia	Europe
		X	E
RXD-M47WM-H	H	XH	EH
RXD-M47WM-S	S	-	ES

* New Parts
 Parts without **Parts No.** are not supplied.
 Les articles non mentionnés dans le **Parts No.** ne sont pas fournis.
 Teile ohne **Parts No.** werden nicht geliefert.

13

Ref. No	Add-ress	New Parts	Parts No.	Description	Desti-nation	Re-marks
U250			SC6579A	IC	51000657901(8)	
U260			TC9257F	IC	51000925701(2)	
U301			AN7312E	IC	51000731201(2)	
U601		*	SC7313S	IC	51000731301(1)	
U801			BA5415A	IC	51000541501(4)	
Δ U802			NJM7812A	IC	51000781207(2)	
VD201			SVC348S	CAPACITOR SVC348	30000034802(7)	
VD202,203			SVC201SPA	VARICAP SVC201	30000020101(6)	
ZD306			MTZJ7.5(B)	ZENER DIODE	30305007503(4)	
ZD601			MTZJ5.6(B)	ZENER DIODE	30305005607(2)	
ZD603			MTZJ2.2B	ZENER DIODE	30305002202(7)	
ZD801			MTZJ9.1(B)	ZENER DIODE	30305009103(4)	
ZD802			MTZJ6.2(B)	ZENER DIODE	30305006207(4)	
ZD803			MTZJ5.6(B)	ZENER DIODE	30305005607(2)	
ZD804			MTZJ8.2(B)	ZENER DIODE	30305008202(4)	
CASSETTE MECHANISM						
BM	2B		D16-0809-08	MAIN BELT		
BS	2B		D16-0810-08	SUB BELT		
PF	2B		D14-0832-08	PINCH ROLLER		
RPH	2A			R/P HEAD	HASVH5515A	

L : Scandinavia K : USA P : Canada R : Mexico C : China I : Malaysia
 Y : PX(Far East,Hawaii) T : England E : Europe G : Germany V : China(Shanghai)
 Y : AAFES(Europe) X : Australia Q : Russia H : Korea M : Other Areas Δ indicates safety critical components.

