

STEREO POWER AMPLIFIER
M-A100/A300
 SERVICE MANUAL

KENWOOD

© 1997-6/B51-5321-00 (K/K) 3668

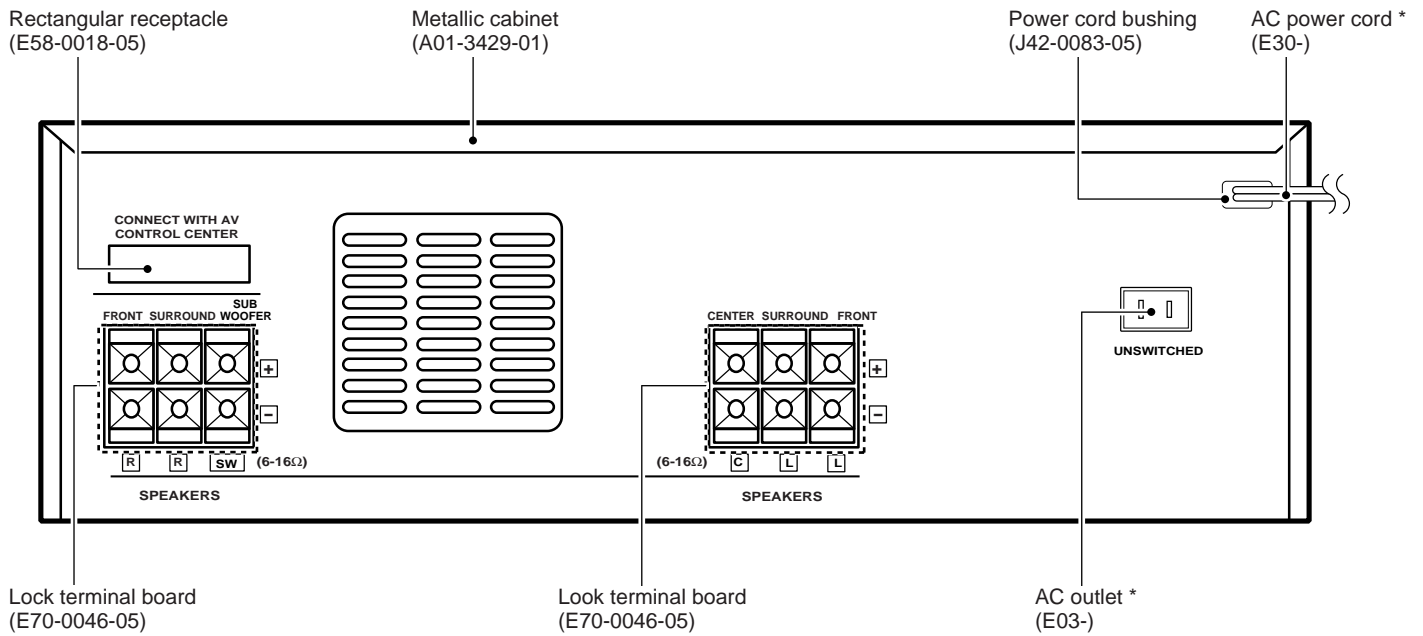
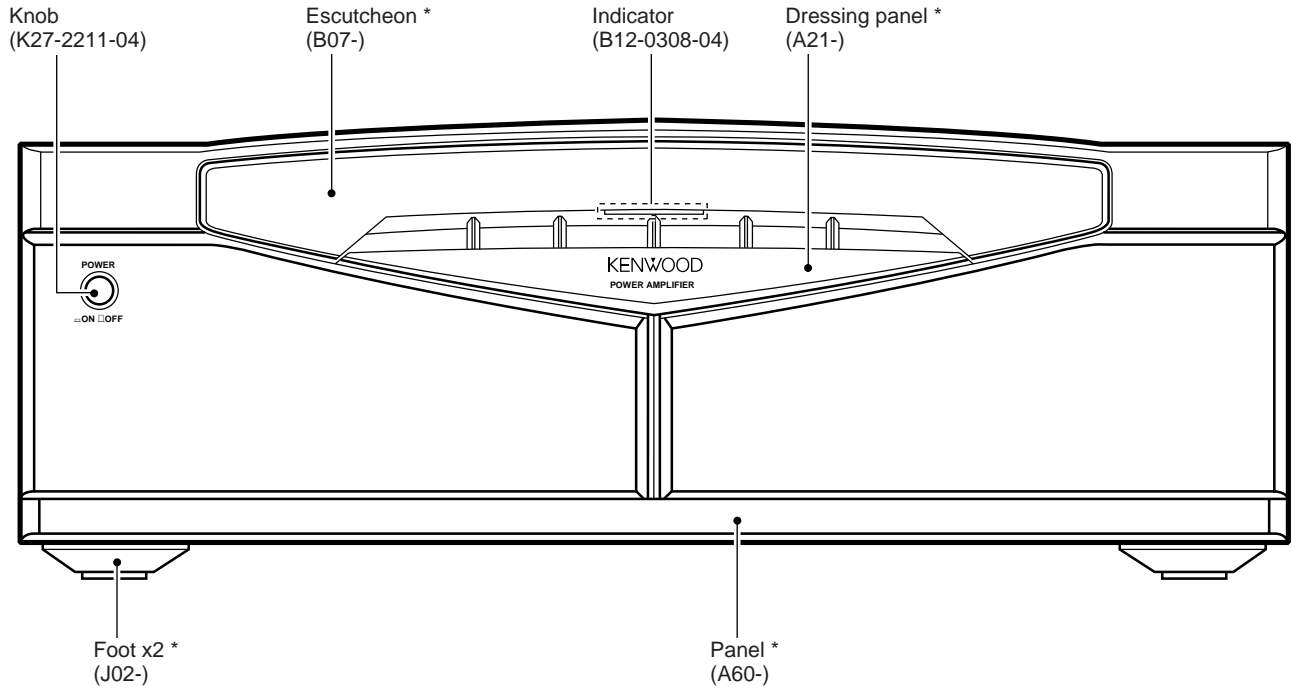


Illustration is M-A300.

* Refer to parts list on page 16.

How to power on unit only.
 Connect a lead wire between P3 (GRY) and fuse holder (CN3 of F2) or (CN10 of F3), then push power sw.



M-A100/A300

CONTENTS / ACCESSORIES

Contents

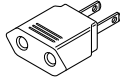
CONTENTS / ACCESSORIES	2	SCHEMATIC DIAGRAM	9
DISASSEMBLY FOR REPAIR.....	3	EXPLODED VIEW	15
ADJUSTMENT	4	PARTS LIST.....	16
PC BOARD	5	SPECIFICATIONS	21

Accessories

Parallel cord(1)
(E30-2857-05)



AC plug adaptor(1)
(E03-0115-05)

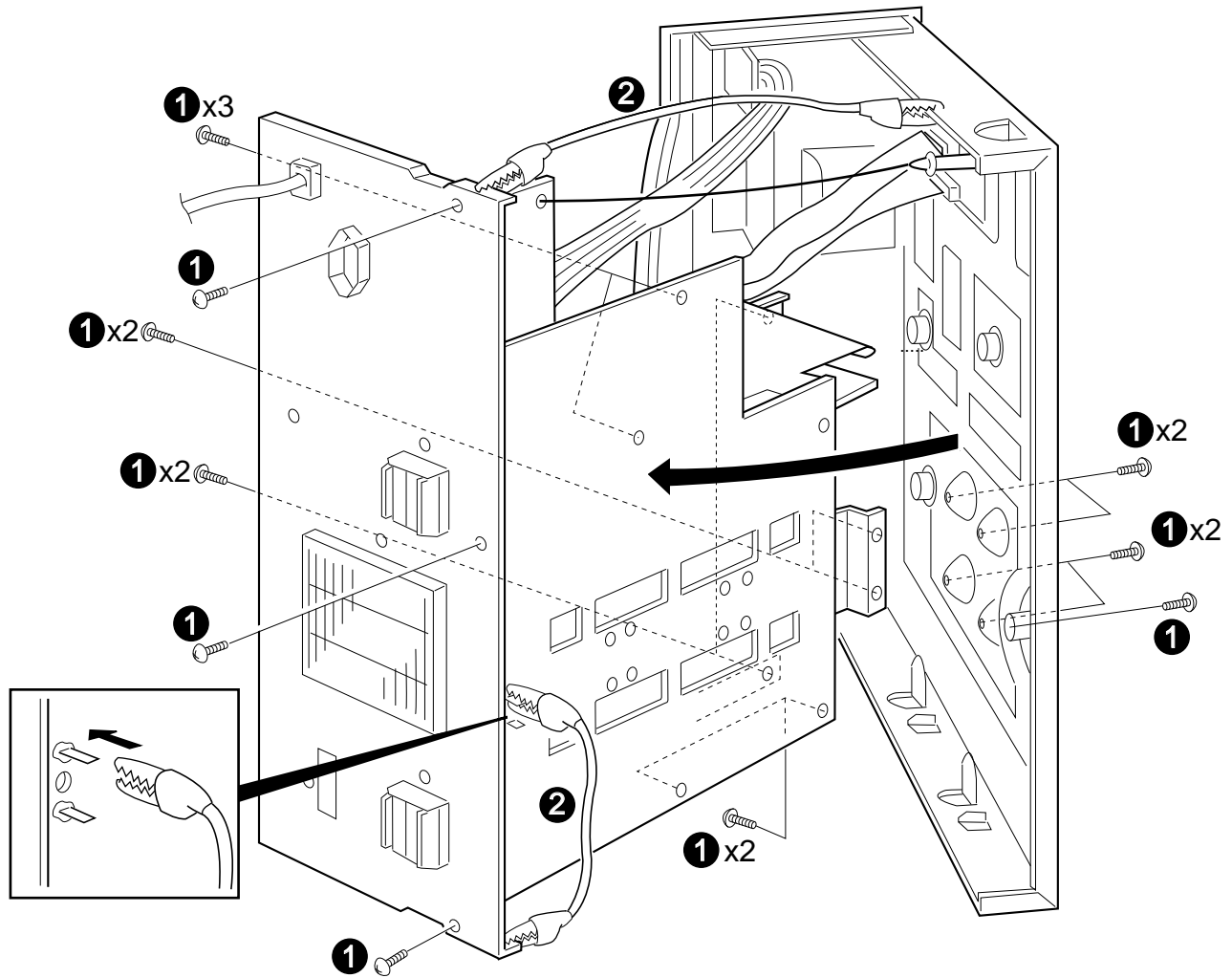


Use to adapt the plug on the power card to the shape of the wall outlet.
(Accessory only for regions where use is necessary.)

M-A100/A300

DISASSEMBLY FOR REPAIR

1. Remove the 17 screws (1), then remove main PCB.
2. Stand the set with right side downward, then connect the GND of the PCB (X07) (A/4) and the rear panel and the chassis with 2 alligator clips (2).



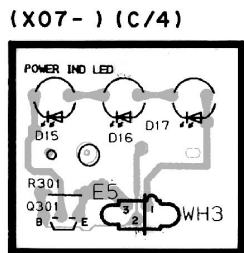
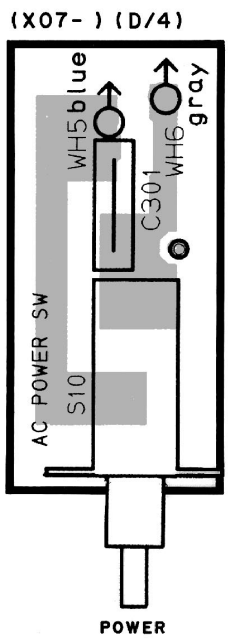
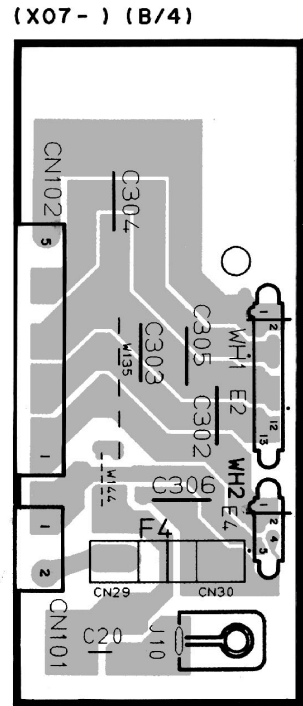
M-A100/A300

ADJUSTMENT

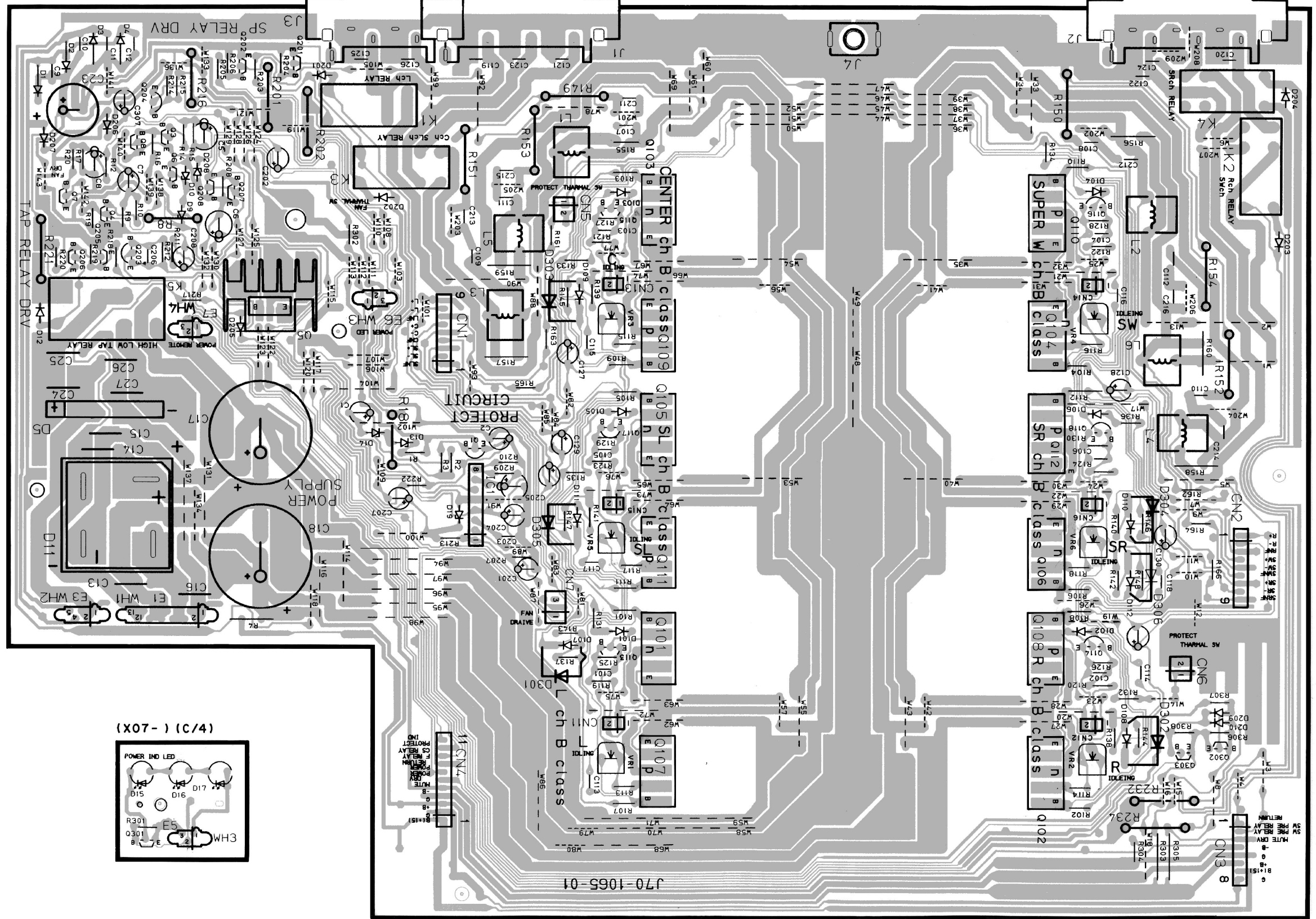
No.	ITEM	INPUT SETTINGS	OUTPUT SETTING	TUNER SETTINGS	ALIGNMENT POINTS	ALIGN FOR	FIG.
AUDIO SECTION (M-A100)							
①	Idle CURRENT		Connect a DC voltmeter across CN11(L) CN12(R) CN15(CENTER) CN16(SURROUND) (X07-)	Volume : 0	VR1(L) VR2(R) VR5(CENTER) VR6 (SURROUND) (X07-)	(L, R) 17.6mV (CENTER, SUR- ROUND) 13.2mV	
AUDIO SECTION (M-A300)							
①	Idle CURRENT		Connect a DC voltmeter across CN11(L) CN12(R) CN13(CENTER) CN14(SW) CN15(SL) CN16(SR) (X07-)	Volume : 0	VR1(L) VR2(R) VR3(CENTER) VR4(SW) VR5(SL) VR6(SR) (X07-)	(L, R) 17.6mV (CENTER, SW, SL, SR) 13.2mV	

① Turn on the unit for 5minutes before adjustment.

PC BOARD(Component side view)

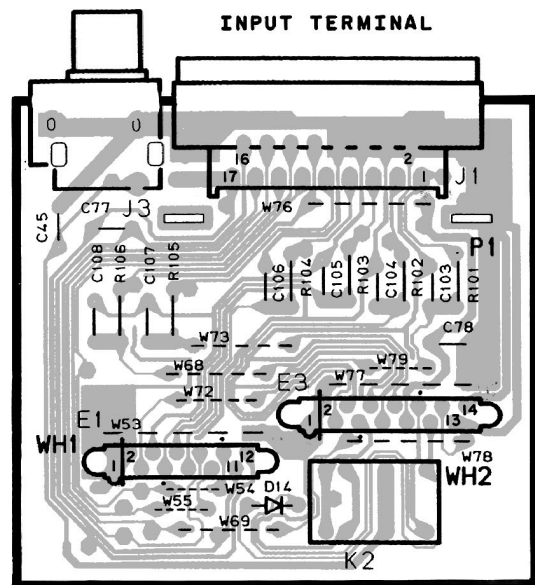


(X07-2910-10) (A/4)

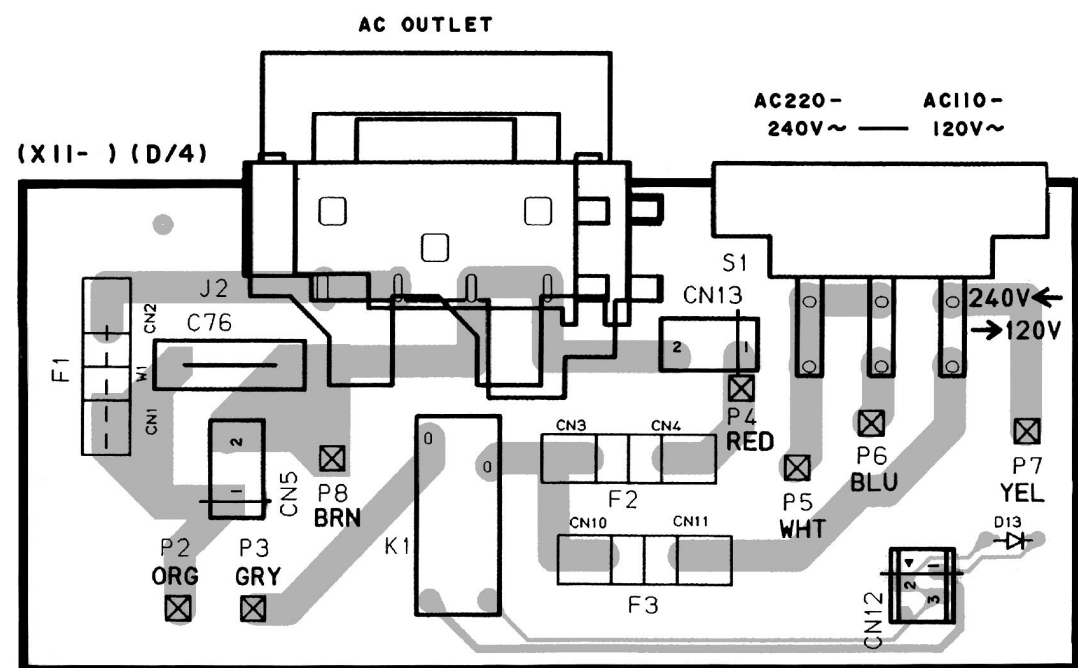


J70-1065-01

PC BOARD(Component side view)

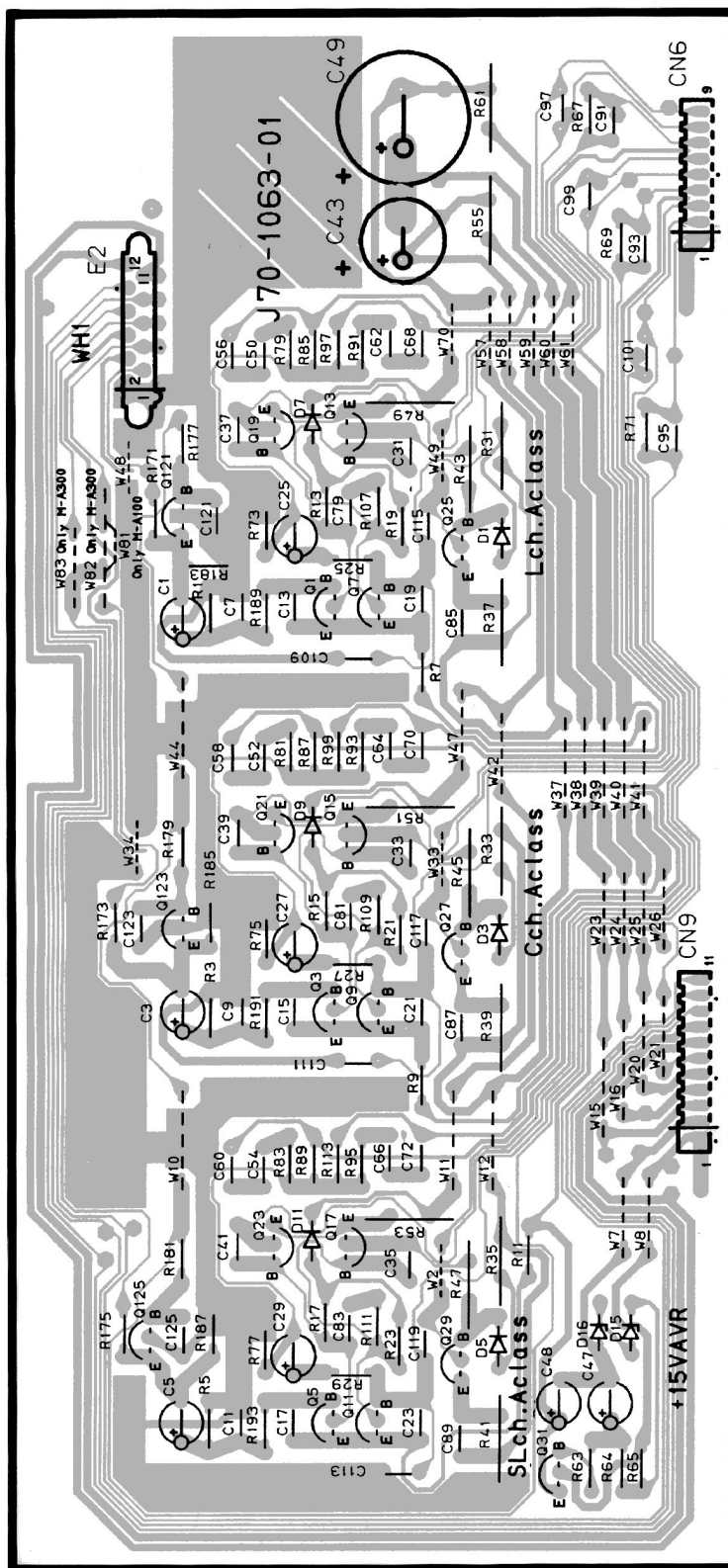


(X11-) (C/4)

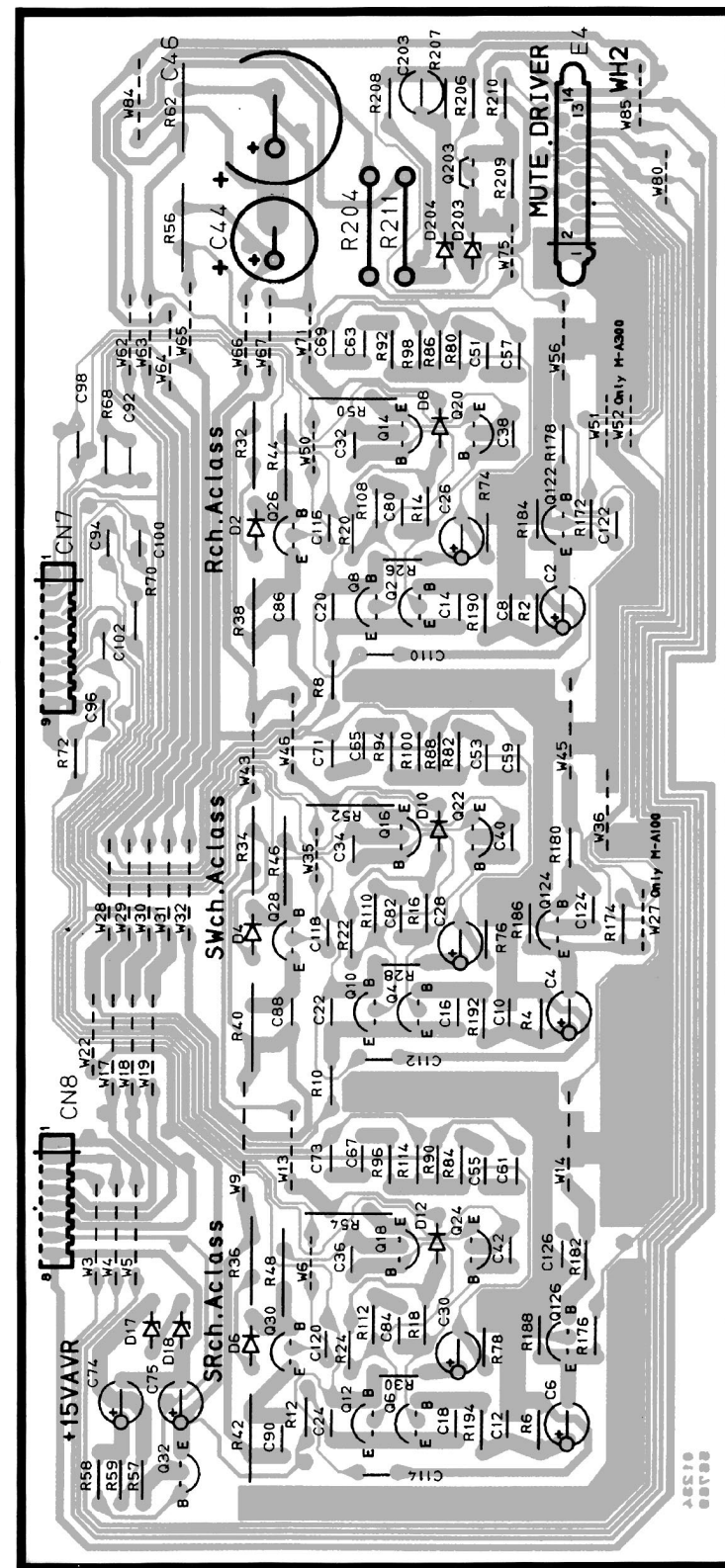


(X11-) (D/4)

(X11-3740-10) (A/4)

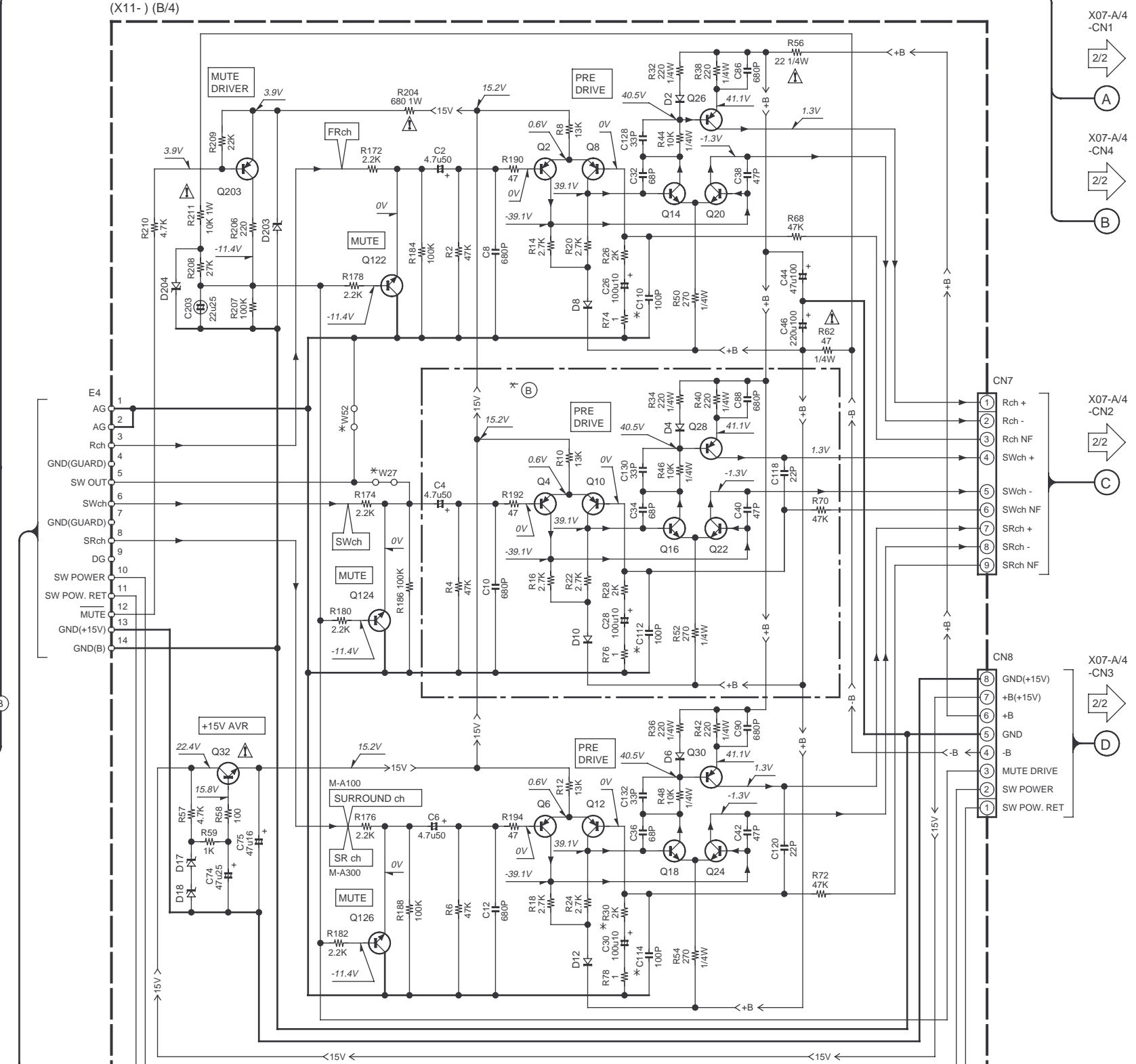
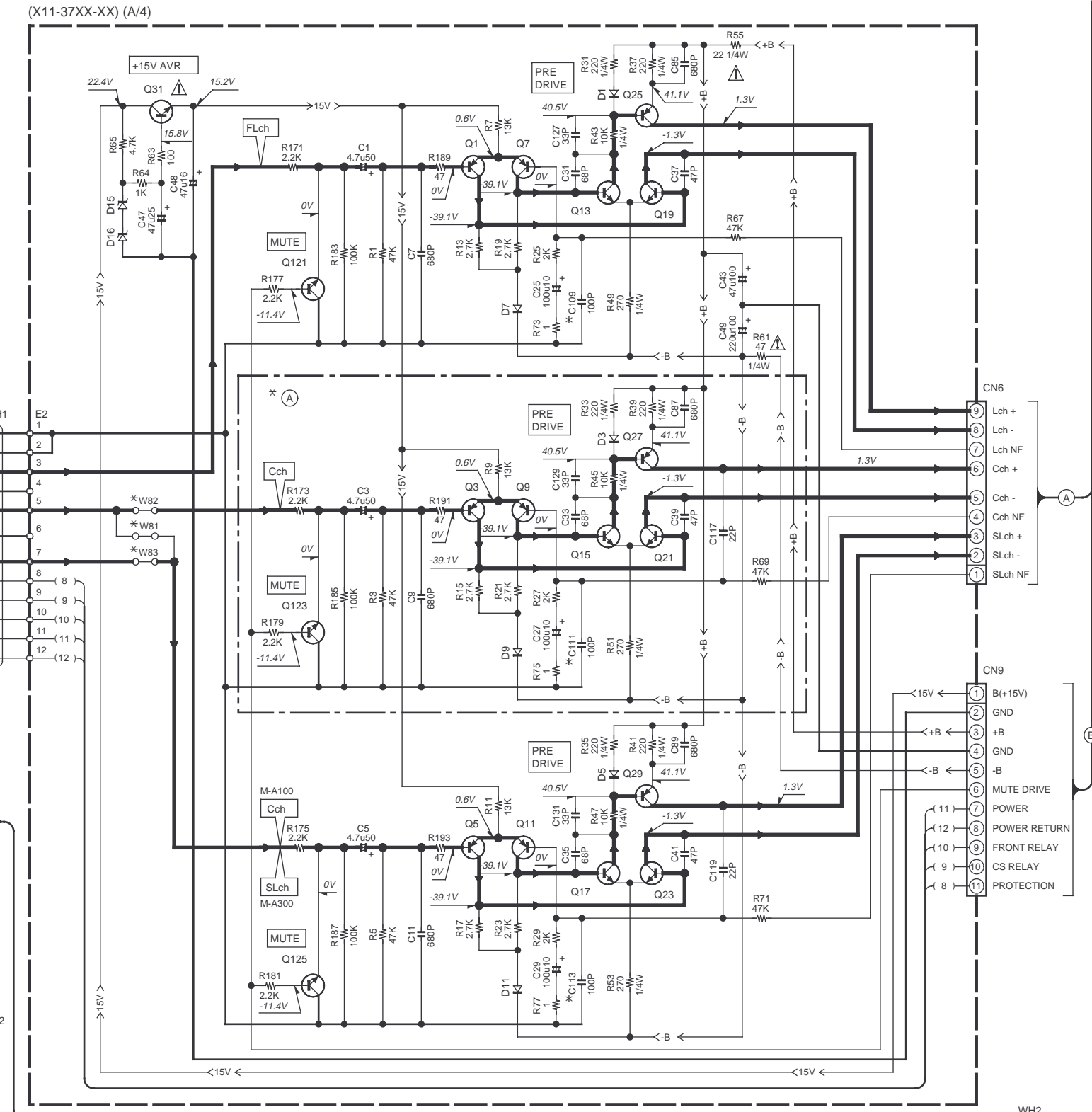
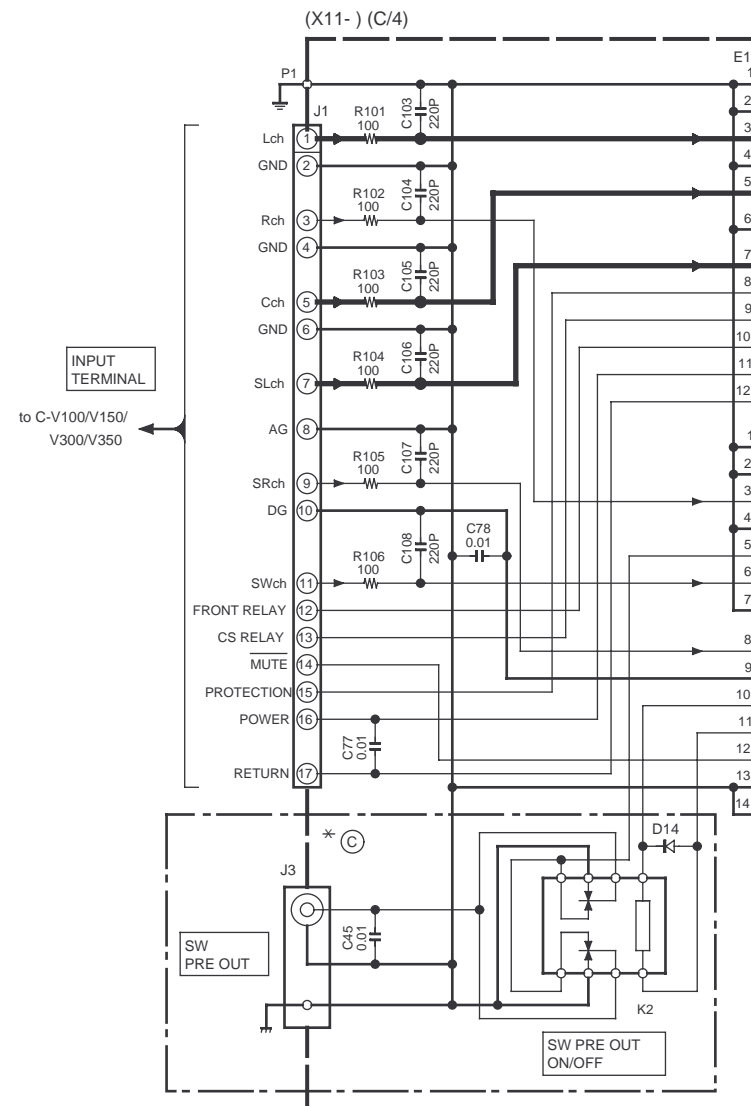


(X11-) (B/4)



CAUTION: For continued safety, replace safety critical components only with manufacturer's recommended parts (refer to parts list). indicates safety critical components. For continued protection against risk of fire, replace only with same type and rating fuse(s). To reduce the risk of electric shock, leakage-current or resistance measurements shall be carried out (exposed parts are acceptably insulated from the supply circuit) before the appliance is returned to the customer.

The DC voltage is an actual reading measured with a high impedance type voltmeter with no signal input. The measurement value may vary depending on the measuring instruments used or on the product.



M-A100

DESTINATION COUNTRY	ABB.	UNIT No.	W27, 81	W52, 82, 83	(A)	(B)	(C)	R30	C109, 110, 113, 114	C111, 112
U.S.A.	K	X11-3740-10							NO	
CANADA	P	X11-3742-71							NO	
EUROPE	E	X11-3742-72							YES	
U.K.	T	X11-3740-51							YES	
PX	Y	X11-3742-91	YES	NO	NO	YES	1.5K			NO
GENERAL MARKET	M	X11-3770-21							NO	
MALAYSIA	I	X11-3773-00								
CHINA	C	X11-3773-00								
AUSTRALIA	X	X11-3770-71								

M-A300

DESTINATION COUNTRY	ABB.	UNIT No.	W27, 81	W52, 82, 83	(A)	(B)	(C)	R30	C109-114
U.S.A.	K	X11-3740-11							NO
CANADA	P	X11-3742-72							NO
EUROPE	E	X11-3742-92							YES
U.K.	T	X11-3740-52							YES
PX	Y	X11-3742-92	NO	YES	YES	NO	2K		NO
GENERAL MARKET	M	X11-3770-22							NO
MALAYSIA	I	X11-3773-01							
CHINA	C	X11-3773-01							
AUSTRALIA	X	X11-3770-72							

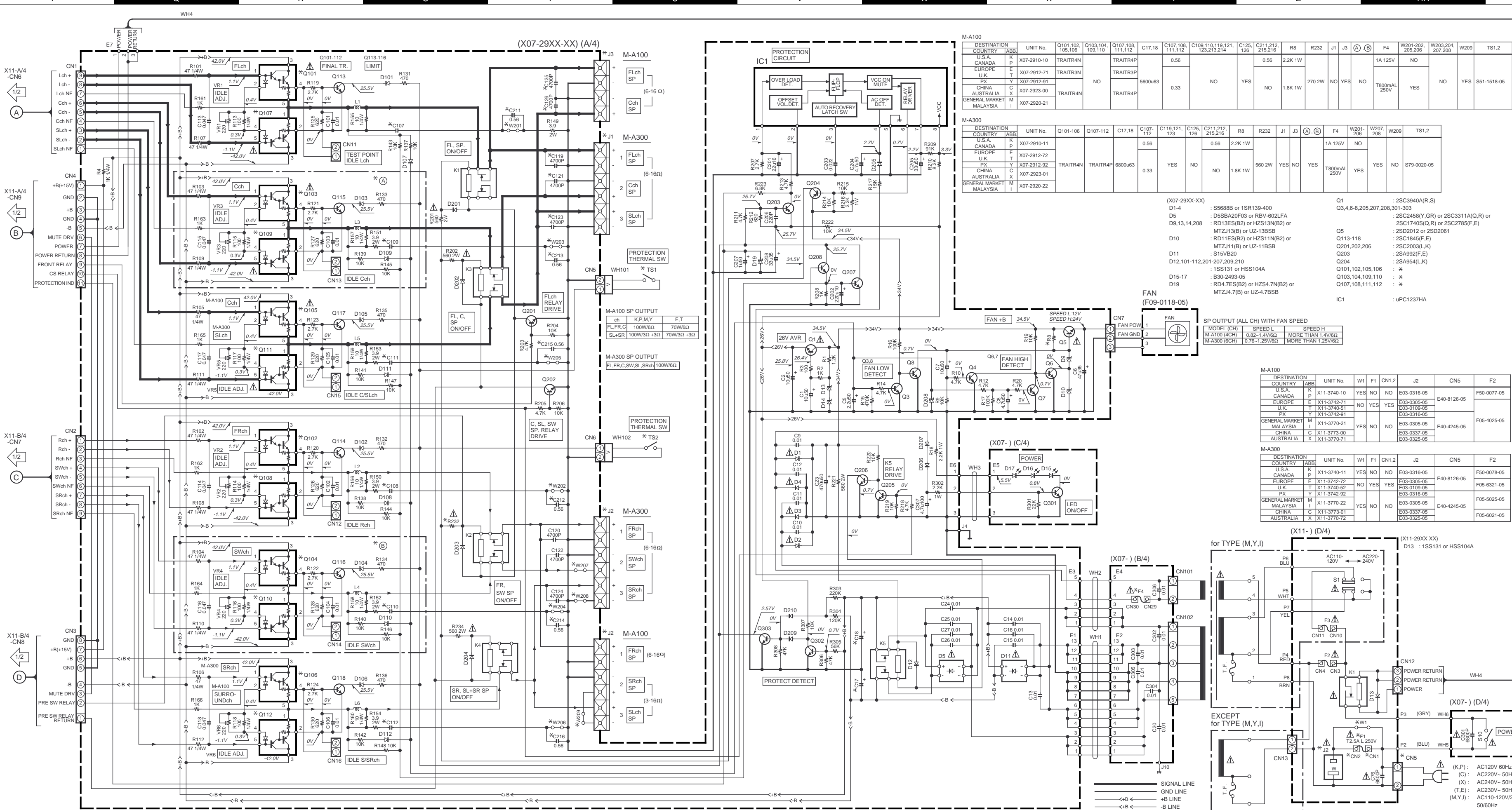
- D1-12, 14 : 1SS131 or HSS104A
- D15-18 : RD8.2ES(B2) or HZS8.2N(B2) or MTZJ8.2(B) or UZ-8.2BSB
- D203 : RD3.9ES(B2) or HZS3.9N(B2) or MTZJ3.9(B) or UZ-3.9BSB
- D204 : RD15ES(B2) or HZS15N(B2) or MTZJ15(B) or UZ-15BSB
- Q1-12 : 2SA992(F,E)
- Q13-24 : 2SC2631(R,S)
- Q25-30 : 2SA1123(R,S)
- Q31, 32 : 2SC3940A(R,S) or 2SD863(E,F)
- Q121-126 : 2SC2878(B)
- Q203 : 2SA1048(Y,GR) or 2SA1309A(Q,R) or 2SA933A(S,Q,R) or 2SA1175(F,E)

M-A100/A300(K) (1/2)

M-A100/A300

Y08-5610-10

KENWOOD



DESTINATION COUNTRY	ABB	UNIT No.	Q101,102,105,106	Q103,104,109,110	Q107,108,111,112	C17,18	C107,108,111,112	C109,110,119,121,123,213,214	C125,126	C211,212,215,216	R8	R232	J1	J3	F4	W201-202,205,206	W203,204,207,208	W209	TS1,2
U.S.A.	K	X07-2910-10	NO	NO	NO	0.56	NO	NO	NO	0.56	2.2K 1W	270 2W	NO	NO	1A 125V	NO	NO	NO	SS1-1518-05
CANADA	P	X07-2912-71	NO	NO	NO	0.33	NO	NO	NO	0.56	1.8K 1W	270 2W	NO	NO	1A 125V	NO	NO	NO	SS1-1518-05
EUROPE	E	X07-2912-72	NO	NO	NO	0.33	NO	NO	NO	0.56	1.8K 1W	270 2W	NO	NO	1A 125V	NO	NO	NO	SS1-1518-05
U.K.	T	X07-2912-91	NO	NO	NO	0.33	NO	NO	NO	0.56	1.8K 1W	270 2W	NO	NO	1A 125V	NO	NO	NO	SS1-1518-05
CHINA	Y	X07-2923-00	NO	NO	NO	0.33	NO	NO	NO	0.56	1.8K 1W	270 2W	NO	NO	1A 125V	NO	NO	NO	SS1-1518-05
AUSTRALIA	X	X07-2923-01	NO	NO	NO	0.33	NO	NO	NO	0.56	1.8K 1W	270 2W	NO	NO	1A 125V	NO	NO	NO	SS1-1518-05
GENERAL MARKET MALAYSIA	M	X07-2920-21	NO	NO	NO	0.33	NO	NO	NO	0.56	1.8K 1W	270 2W	NO	NO	1A 125V	NO	NO	NO	SS1-1518-05

DESTINATION COUNTRY	ABB	UNIT No.	Q101-106	Q107-112	C17,18	C107-112	C119,121,123	C125,126	C211,212,215,216	R8	R232	J1	J3	F4	W201-206	W207,208	W209	TS1,2
U.S.A.	K	X07-2910-11	NO	NO	NO	0.56	NO	NO	NO	2.2K 1W	270 2W	NO	NO	1A 125V	NO	NO	NO	S79-0020-05
CANADA	P	X07-2912-72	NO	NO	NO	0.33	NO	NO	NO	1.8K 1W	270 2W	NO	NO	1A 125V	NO	NO	NO	S79-0020-05
EUROPE	E	X07-2912-72	NO	NO	NO	0.33	NO	NO	NO	1.8K 1W	270 2W	NO	NO	1A 125V	NO	NO	NO	S79-0020-05
U.K.	T	X07-2912-92	NO	NO	NO	0.33	NO	NO	NO	1.8K 1W	270 2W	NO	NO	1A 125V	NO	NO	NO	S79-0020-05
PX	Y	X07-2923-01	NO	NO	NO	0.33	NO	NO	NO	1.8K 1W	270 2W	NO	NO	1A 125V	NO	NO	NO	S79-0020-05
CHINA	X	X07-2923-01	NO	NO	NO	0.33	NO	NO	NO	1.8K 1W	270 2W	NO	NO	1A 125V	NO	NO	NO	S79-0020-05
GENERAL MARKET MALAYSIA	M	X07-2920-22	NO	NO	NO	0.33	NO	NO	NO	1.8K 1W	270 2W	NO	NO	1A 125V	NO	NO	NO	S79-0020-05

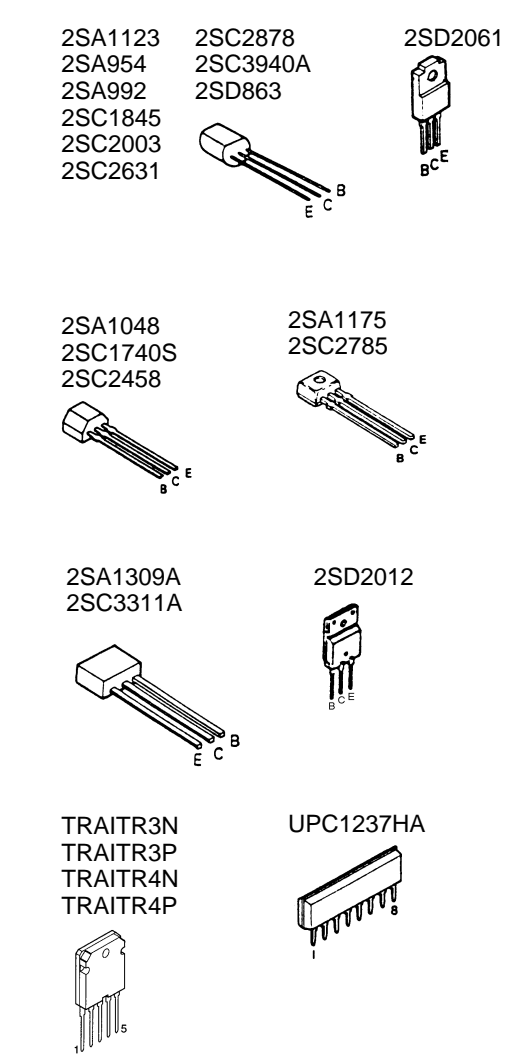
CAUTION: For continued safety, replace safety critical components only with manufacturer's recommended parts (refer to parts list). indicates safety critical components. For continued protection against risk of fire, replace only with same type and rating fuse(s). To reduce the risk of electric shock, leakage-current or resistance measurements shall be carried out (exposed parts are acceptably insulated from the supply circuit) before the appliance is returned to the customer.

The DC voltage is an actual reading measured with a high impedance type voltmeter with no signal input. The measurement value may vary depending on the measuring instruments used or on the product.

MODEL (CH)	SPEED L	SPEED H
M-A100 (4CH)	0.82-1.4V/6Ω	MORE THAN 1.4V/6Ω
M-A300 (6CH)	0.76-1.25V/6Ω	MORE THAN 1.25V/6Ω

DESTINATION COUNTRY	ABB	UNIT No.	W1	F1	CN1,2	J2	CN5	F2
U.S.A.	K	X11-3740-10	YES	NO	NO	E03-0316-05	E40-8126-05	F50-0077-05
CANADA	P	X11-3742-71	NO	YES	YES	E03-0305-05	E03-0109-05	
EUROPE	E	X11-3742-71	NO	YES	YES	E03-0305-05	E03-0109-05	
U.K.	T	X11-3740-51	NO	YES	YES	E03-0316-05	E03-0109-05	
PX	Y	X11-3742-91	NO	YES	YES	E03-0305-05	E03-0109-05	
CHINA	X	X11-3770-21	NO	NO	NO	E03-0305-05	E03-0325-05	F05-4025-05
GENERAL MARKET MALAYSIA	M	X11-3770-21	YES	NO	NO	E03-0305-05	E03-0325-05	F05-4025-05
AUSTRALIA	X	X11-3770-71	NO	NO	NO	E03-0337-05	E03-0325-05	F05-4025-05

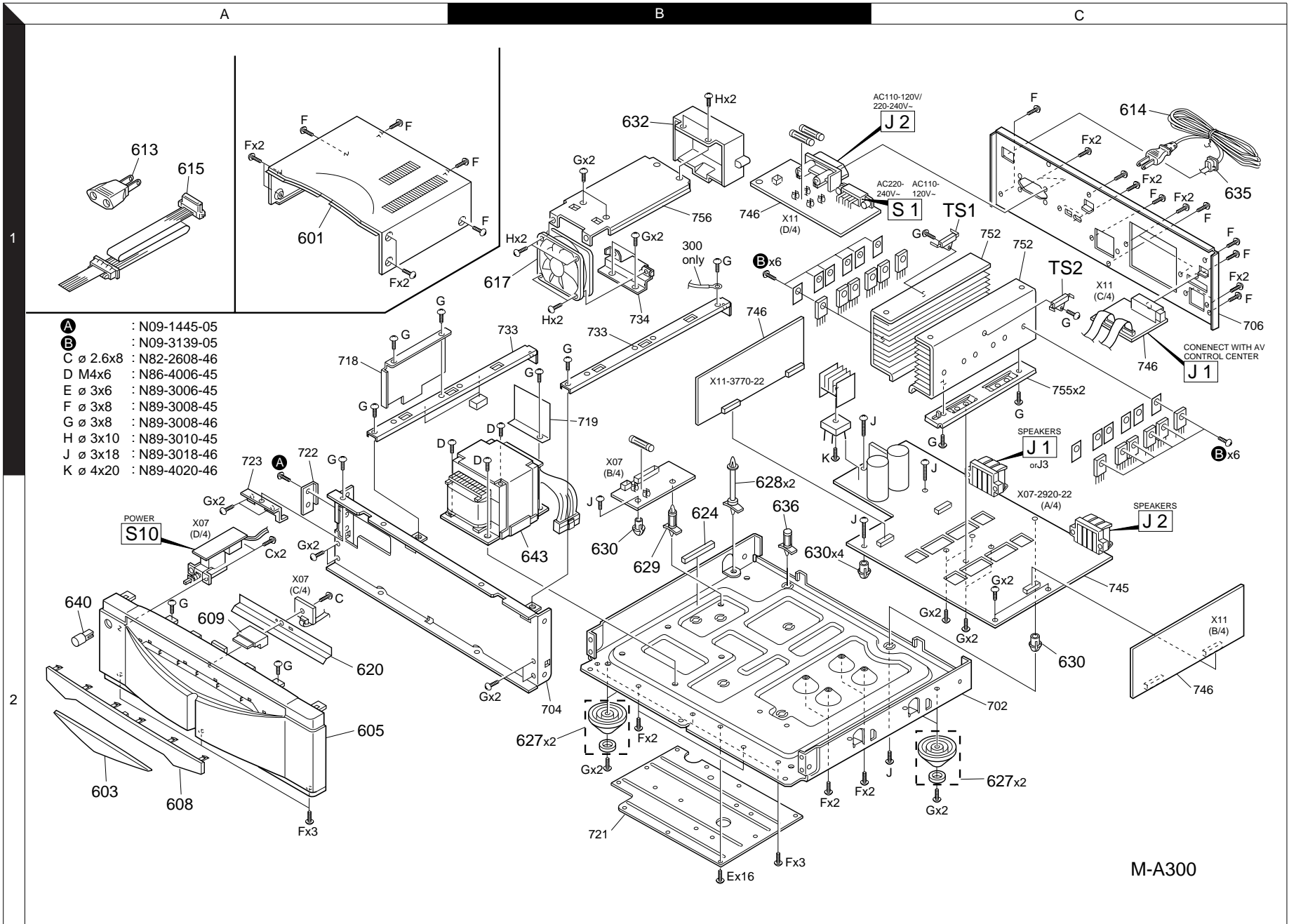
DESTINATION COUNTRY	ABB	UNIT No.	W1	F1	CN1,2	J2	CN5	F2
U.S.A.	K	X11-3740-11	YES	NO	NO	E03-0316-05	E40-8126-05	F50-0078-05
CANADA	P	X11-3742-72	NO	YES	YES	E03-0305-05	E03-0109-05	F05-6321-05
EUROPE	E	X11-3742-72	NO	YES	YES	E03-0305-05	E03-0109-05	F05-6321-05
U.K.	T	X11-3740-52	NO	YES	YES	E03-0316-05	E03-0109-05	
PX	Y	X11-3742-92	NO	YES	YES	E03-0305-05	E03-0109-05	
CHINA	X	X11-3770-22	NO	NO	NO	E03-0305-05	E03-0325-05	F05-5025-05
GENERAL MARKET MALAYSIA	M	X11-3770-22	YES	NO	NO	E03-0305-05	E03-0325-05	F05-5025-05
AUSTRALIA	X	X11-3770-72	NO	NO	NO	E03-0337-05	E03-0325-05	F05-6021-05



M-A100/A300
KENWOOD

M-A100/A300

EXPLODED VIEW(UNIT)



M-A300

M-A100/A300

PARTS LIST

New Parts
Parts without **Parts No.** are not supplied.
Les articles non mentionnés dans le **Parts No.** ne sont pas fournis.
Teile ohne **Parts No.** werden nicht geliefert.

①

Ref. No	Add-ress	New Parts	Parts No.	Description	Desti-nation	Re-marks
M-A100/A300						
601	1A		A01-3429-01	METALLIC CABINET		
603	2A		A21-1950-03	DRESSING PANEL(300)		
603	2A		A21-1956-03	DRESSING PANEL(100)		
605	2A		A60-1130-01	PANEL (300)	KPYTE	
605	2A		A60-1221-01	PANEL (100)	KPYTE	
605	2A		A60-1228-01	PANEL (300)	CIMX	
605	2A		A60-1229-01	PANEL (100)	CIMX	
608	2A		B07-2340-02	ESCUTCHEON	KPYTE	
608	2A		B07-2378-02	ESCUTCHEON	CIMX	
609	2A		B12-0308-04	INDICATOR		
-			B46-0096-53	WARRANTY CARD	X	
-			B46-0310-03	WARRANTY CARD	TE	
-			B46-0326-53	WARRANTY CARD	C	
-			B46-0328-03	WARRANTY CARD	KY	
-			B46-0336-03	WARRANTY CARD	P	
-			B58-0513-04	CAUTION CARD (PRESET220-240)	Y	
-			B58-0945-03	CAUTION CARD	T	
-			B58-0964-13	CAUTION CARD (UL)	KY	
-			B58-0965-13	CAUTION CARD (PL)	TX	
-			B58-0966-13	CAUTION CARD (PL)	EMI	
-			B58-0967-03	CAUTION CARD (PL)	F	
-			B58-1546-03	CAUTION CARD (300)	C	
-			B59-1104-00	SERVICE DIRECTORY	Y	
-			B60-3340-00	INSTRUCTION MANUAL(ENG)	KPYTCI	
-			B60-3340-00	INSTRUCTION MANUAL(ENG)	MX	
-			B60-3341-00	INSTRUCTION MANUAL(FRN)	PE	
-			B60-3342-00	INSTRUCTION MANUAL(SPN)	EM	
-			B60-3343-00	INSTRUCTION MANUAL(G/I/N)	E	
-			B60-3346-00	INSTRUCTION MANUAL(CHN)	C	
-			B60-3347-00	INSTRUCTION MANUAL(TWN)	MI	
Δ 613	1A		E03-0115-05	AC PLUG ADAPTER	MI	
Δ 614	1C		E30-2592-05	AC POWER CORD	MI	
Δ 614	1C		E30-2717-05	AC POWER CORD	X	
Δ 614	1C		E30-2787-05	AC POWER CORD	KP	
Δ 614	1C		E30-2788-05	AC POWER CORD	E	
Δ 614	1C		E30-2789-05	AC POWER CORD	Y	
Δ 614	1C		E30-2791-05	AC POWER CORD	T	
Δ 614	1C		E30-2830-05	AC POWER CORD	C	
615	1A		E30-2857-05	CORD WITH CONNECTOR		
617	1B		F09-0118-05	FAN		
620	2A		F19-1078-03	BLIND PLATE		
624	2B		G11-2320-04	CUSHION	KPYTE	
624	2B		G11-2322-04	CUSHION	CIMX	
-			H10-7284-02	POLYSTYRENE FOAMED FIXTURE	KPYE	
-			H10-7285-02	POLYSTYRENE FOAMED FIXTURE	KPYE	
-			H10-7324-02	POLYSTYRENE FOAMED FIXTURE	T	
-			H10-7325-02	POLYSTYRENE FOAMED FIXTURE	T	
-			H10-7326-02	POLYSTYRENE FOAMED FIXTURE	CIMX	
-			H10-7327-02	POLYSTYRENE FOAMED FIXTURE	CIMX	
-			H11-0082-04	POLYSTYRENE FOAMED BOARD		
-			H13-0272-04	CARTON BOARD	X	

L : Scandinavia
Y : PX(Far East, Hawaii)
Y : AAFES(Europe)

K : USA
T : Europe
X : Australia

P : Canada
E : Europe
M : Other Areas

R : Mexico
G : Germany
Q : Russia

Δ indicates safety critical components.

New Parts
Parts without **Parts No.** are not supplied.
Les articles non mentionnés dans le **Parts No.** ne sont pas fournis.
Teile ohne **Parts No.** werden nicht geliefert.

②

Ref. No	Add-ress	New Parts	Parts No.	Description	Desti-nation	Re-marks
-			H25-0232-04	PROTECTION BAG (235X350X0.03)	KPYECI	
-			H25-0232-04	PROTECTION BAG (235X350X0.03)	MX	
-			H25-0651-04	PROTECTION BAG	T	
-			H25-1516-04	PROTECTION BAG		
-			H30-0100-04	ADHESIVE DOUBLE-COATED TAPE	KPYTE	
-			H30-0602-04	ADHESIVE DOUBLE-COATED TAPE	CIMX	
-			H50-2322-04	ITEM CARTON CASE (300)	KPYE	
-			H50-2323-04	ITEM CARTON CASE (300)	T	
-			H50-2324-04	ITEM CARTON CASE (100)	KPYE	
-			H50-2325-04	ITEM CARTON CASE (100)	T	
-			H50-2445-04	ITEM CARTON CASE (300)	MI	
-			H50-2446-04	ITEM CARTON CASE (300)	C	
-			H50-2447-04	ITEM CARTON CASE (300)	X	
-			H50-2448-04	ITEM CARTON CASE (100)	MI	
-			H50-2449-04	ITEM CARTON CASE (100)	C	
-			H50-2450-04	ITEM CARTON CASE (100)	X	
627	2B,2C		J02-1188-03	FOOT	KPYTE	
627	2B,2C		J02-1189-03	FOOT	CIMX	
628	1B		J19-3208-05	UNIT HOLDER		
629	2B		J19-3325-05	UNIT HOLDER		
630	2B,2C		J19-3732-04	UNIT HOLDER	KPYTE	
630	2B,2C		J19-3751-04	UNIT HOLDER	CIMX	
632	1B		J19-5791-02	HOLDER		
635	1C		J42-0083-05	POWER CORD BUSHING		
636	2B		J19-2588-05	UNIT HOLDER		
-			J61-0098-05	WIRE BAND	KPYTE	
-			J61-0307-05	WIRE BAND	CIMX	
640	2A		K27-2211-04	KNOB (BUTTON)		
643	2B		L07-2312-05	POWER TRANSFORMER(100)	KP	
643	2B		L07-2313-05	POWER TRANSFORMER(100)	Y	
643	2B		L07-2314-05	POWER TRANSFORMER(100)	X	
643	2B		L07-2315-05	POWER TRANSFORMER(100)	TE	
643	2B		L07-2316-05	POWER TRANSFORMER(300)	KP	
643	2B		L07-2317-05	POWER TRANSFORMER(300)	Y	
643	2B		L07-2318-05	POWER TRANSFORMER(300)	X	
643	2B		L07-2319-05	POWER TRANSFORMER(300)	TE	
643	2B		L07-2347-05	POWER TRANSFORMER(100)	C	
643	2B		L07-2348-05	POWER TRANSFORMER(300)	C	
643	2B		L07-2417-05	POWER TRANSFORMER(300)	MI	
643	2B		L07-2418-05	POWER TRANSFORMER(100)	MI	
POWER (X07-2910-10/X07-2923-00)						
D15 -17			B30-2493-05	LED(RED)		
C1 ,2			CE04KW1H100M	ELECTRO 10UF 50WV		
C5			CE04KW1H2R2M	ELECTRO 2.2UF 50WV		
C6			CE04KW1V470M	ELECTRO 47UF 35WV		
C7			CE04KW1H100M	ELECTRO 10UF 50WV		
C8			CE04KW1H4R7M	ELECTRO 4.7UF 50WV		
C9 -12			CK45FF1H103Z	CERAMIC 0.010UF Z		
C13 -16			CK45FE2H103P	CERAMIC 0.010UF P		
C17 ,18	100		C90-3737-05	ELECTRO 5600UF 63WV		
C17 ,18	300		C90-3738-05	ELECTRO 6800UF 63WV		
C20			CK45FF1H103Z	CERAMIC 0.010UF Z		

L : Scandinavia
Y : PX(Far East, Hawaii)
Y : AAFES(Europe)

K : USA
T : Europe
X : Australia

P : Canada
E : Europe
M : Other Areas

R : Mexico
G : Germany
Q : Russia

Δ indicates safety critical components.

M-A100/A300

PARTS LIST

New Parts
Parts without **Parts No.** are not supplied.
Les articles non mentionnés dans le **Parts No.** ne sont pas fournis.
Teile ohne **Parts No.** werden nicht geliefert.

3

Ref. No	Add-ress	New Parts	Parts No.	Description	Desti-nation	Re-marks
C23			CE04KW1H471M	ELECTRO 470UF 50WV		
C24 -27			CK45FE2H103P	CERAMIC 0.010UF P		
C101,102			CK45FF1H103Z	CERAMIC 0.010UF Z		
C103,104	300		CK45FF1H103Z	CERAMIC 0.010UF Z		
C105,106			CK45FF1H103Z	CERAMIC 0.010UF Z		
C107,108			CF92FV1H334J	MF-C 0.33UF J	X	
C107,108			CF92FV1H334J	MF-C 0.33UF J	YTECIM	
C107,108			CF92FV1H564J	MF-C 0.56UF J	KP	
C109,110	300		CF92FV1H334J	MF-C 0.33UF J	X	
C109,110	300		CF92FV1H334J	MF-C 0.33UF J	YTECIM	
C109,110	300		CF92FV1H564J	MF-C 0.56UF J	KP	
C111,112			CF92FV1H334J	MF-C 0.33UF J	X	
C111,112			CF92FV1H334J	MF-C 0.33UF J	YTECIM	
C113,114			CQ93FMG1H473J	MYLAR 0.047UF J		
C115,116	300		CQ93FMG1H473J	MYLAR 0.047UF J		
C117,118			CQ93FMG1H473J	MYLAR 0.047UF J		
C119	300		CK45FF1H472Z	CERAMIC 4700PF Z		
C120			CK45FF1H472Z	CERAMIC 4700PF Z		
C121	300		CK45FF1H472Z	CERAMIC 4700PF Z		
C122			CK45FF1H472Z	CERAMIC 4700PF Z		
C123	300		CK45FF1H472Z	CERAMIC 4700PF Z		
C124			CK45FF1H472Z	CERAMIC 4700PF Z		
C125,126	100		CK45FF1H472Z	CERAMIC 4700PF Z		
C201			CE04KW1C220M	ELECTRO 22UF 16WV		
C202			CE04KW1A221M	ELECTRO 220UF 10WV		
C203			CK45FF1H223Z	CERAMIC 0.022UF Z		
C204			CE04KW1H4R7M	ELECTRO 4.7UF 50WV		
C205			CE04KW1H330M	ELECTRO 33UF 50WV		
C206			CC45FSL1H221J	CERAMIC 220PF J		
C207			CE04KW1H010M	ELECTRO 1.0UF 50WV		
C208			CE04KW1V330M	ELECTRO 33UF 35WV		
C211,212			CF92FV1H564J	MF-C 0.56UF J	KP	
C213,214	300		CF92FV1H564J	MF-C 0.56UF J	KP	
C215,216			CF92FV1H564J	MF-C 0.56UF J	KP	
C301			C91-1488-05	MF 6800PF 250VAC		
C302-306			CK45FE2H103P	CERAMIC 0.010UF P		
C307			CE04KW2A4R7M	ELECTRO 4.7UF 100WV		
CN1 ,2			E40-9842-05	PIN ASSY		
CN3			E40-9841-05	PIN ASSY		
CN4			E40-9844-05	PIN ASSY		
CN5 ,6			E40-3246-05	PIN ASSY		
CN7			E40-3247-05	PIN ASSY		
CN11,12			E40-4871-05	PIN ASSY		
CN13,14	300		E40-4871-05	PIN ASSY		
CN15,16			E40-4871-05	PIN ASSY		
CN101			E40-4245-05	PIN ASSY		CIMX
CN101			E40-8126-05	PIN ASSY		KPYTE
CN102			E40-4281-05	PIN ASSY		CIMX
CN102			E40-8129-05	PIN ASSY		KPYTE
J1	300		E70-0046-05	LOCK TERMINAL BOARD		
J2			E70-0046-05	LOCK TERMINAL BOARD		
J3	100		E70-0045-05	LOCK TERMINAL BOARD		CIMX
J3			E70-0053-05	LOCK TERMINAL BOARD		KPYTE
W203,204	300		E31-0001-00	JUMPER WIRE		X

L : Scandinavia K : USA P : Canada R : Mexico I : Malaysia 100 : M-A100
Y : PX(Far East, Hawaii) T : Europe E : Europe G : Germany C : China 300 : M-A300
Y : AAFES(Europe) X : Australia M : Other Areas

⚠ indicates safety critical components.

New Parts
Parts without **Parts No.** are not supplied.
Les articles non mentionnés dans le **Parts No.** ne sont pas fournis.
Teile ohne **Parts No.** werden nicht geliefert.

4

Ref. No	Add-ress	New Parts	Parts No.	Description	Desti-nation	Re-marks
W203,204	300		E31-0001-00	JUMPER WIRE		YTECIM
W207,208	300		E31-0001-00	JUMPER WIRE		
W209	100		E31-0001-00	JUMPER WIRE		
⚠ F4			F05-8013-05	FUSE (SEMKO) (250V T800MAL)		X
⚠ F4			F05-8013-05	FUSE (SEMKO) (250V T800MAL)		YTECIM
⚠ F4			F50-0066-05	FUSE(5X20)		KP
CN29,30			J13-0075-05	FUSE CLIP		
J4			J21-5845-04	MOUNTING HARDWARE		
L1 ,2			L39-0085-05	PHASE COMPENSATION COIL		
L3 ,4	300		L39-0085-05	PHASE COMPENSATION COIL		
L5 ,6			L39-0085-05	PHASE COMPENSATION COIL		
R4			RD14NB2E102J	RD 1.0K J 1/4W		
R8			RS14KB3A182J	FL-PROOF RS 1.8K J 1W		X
R8			RS14KB3A182J	FL-PROOF RS 1.8K J 1W		YTECIM
R8			RS14KB3A222J	FL-PROOF RS 2.2K J 1W		KP
R18			RS14KB3A222J	FL-PROOF RS 2.2K J 1W		
R101,102			RD14NB2E470J	RD 47 J 1/4W		
R103,104	300		RD14NB2E470J	RD 47 J 1/4W		
R105-108			RD14NB2E470J	RD 47 J 1/4W		
R109,110	300		RD14NB2E470J	RD 47 J 1/4W		
R111,112			RD14NB2E470J	RD 47 J 1/4W		
R113,114			RD14NB2E101J	RD 100 J 1/4W		
R115,116	300		RD14NB2E101J	RD 100 J 1/4W		
R117,118			RD14NB2E101J	RD 100 J 1/4W		
R121,122	300		RD14BB2C272J	RD 2.7K J 1/6W		
R127,128	300		RD14BB2C621J	RD 620 J 1/6W		
R133,134	300		RD14BB2C471J	RD 470 J 1/6W		
R139,140	300		RD14BB2C103J	RD 10K J 1/6W		
R145,146	300		RD14BB2C103J	RD 10K J 1/6W		
R149,150			RS14KB3D3R9J	FL-PROOF RS 3.9 J 2W		
R151,152	300		RS14KB3D3R9J	FL-PROOF RS 3.9 J 2W		
R153,154			RS14KB3D3R9J	FL-PROOF RS 3.9 J 2W		
R155,156	300		RD14NB2E100J	RD 10 J 1/4W		
R157,158			RD14NB2E100J	RD 10 J 1/4W		
R159,160			RD14NB2E100J	RD 10 J 1/4W		
⚠ R201,202			RS14KB3D561J	FL-PROOF RS 560 J 2W		
R216			RS14KB3A222J	FL-PROOF RS 2.2K J 1W		
R221			RS14KB3D561J	FL-PROOF RS 560 J 2W		
R232	100		RS14KB3D271J	FL-PROOF RS 270 J 2W		
⚠ R232	300		RS14KB3D561J	FL-PROOF RS 560 J 2W		
⚠ R234			RS14KB3D561J	FL-PROOF RS 560 J 2W		
R302			RS14KB3A222J	FL-PROOF RS 2.2K J 1W		
VR1 ,2	300		R12-0605-05	TRIMMING POT.(220)		
VR3 ,4			R12-0605-05	TRIMMING POT.(220)		
VR5 ,6			R12-0605-05	TRIMMING POT.(220)		
K1 -4			S76-0056-05	MAGNETIC RELAY		
K5			S76-0063-05	MAGNETIC RELAY		
⚠ S10	2A		S40-1094-05	PUSH SWITCH (POWER TYPE)		
TS1 ,2	100		S51-1518-05	RELAY ASSY		
TS1 ,2	300		S79-0020-05	THERMAL SWITCH		
⚠ D1 -4			S5688B	DIODE		
⚠ D1 -4			1SR139-400	DIODE		
⚠ D5			D5SBA20F03	DIODE		

L : Scandinavia K : USA P : Canada R : Mexico I : Malaysia 100 : M-A100
Y : PX(Far East, Hawaii) T : Europe E : Europe G : Germany C : China 300 : M-A300
Y : AAFES(Europe) X : Australia M : Other Areas

⚠ indicates safety critical components.

M-A100/A300

PARTS LIST

New Parts

Parts without **Parts No.** are not supplied.

Les articles non mentionnés dans le **Parts No.** ne sont pas fournis.

Teile ohne **Parts No.** werden nicht geliefert.

5

Ref. No	Add-ress	New Parts	Parts No.	Description	Desti-nation	Re-marks
Δ D5			RBV-602LFA	DIODE		
D9			HZS13N(B2)	ZENER DIODE	KPYTE	
D9			MTZJ13(B)	ZENER DIODE	CIMX	
D9			RD13ES(B2)	ZENER DIODE	KPYTE	
D9			UZ-13BSB	ZENER DIODE	CIMX	
D10			HZS11N(B2)	ZENER DIODE	KPYTE	
D10			MTZJ11(B)	ZENER DIODE	CIMX	
D10			RD11ES(B2)	ZENER DIODE	KPYTE	
D10			UZ-11BSB	ZENER DIODE	CIMX	
Δ D11			S15VB20	DIODE		
D12			HSS104A	DIODE		
D12			1SS131	DIODE		
D13,14			HZS13N(B2)	ZENER DIODE	KPYTE	
D13,14			MTZJ13(B)	ZENER DIODE	CIMX	
D13,14			RD13ES(B2)	ZENER DIODE	KPYTE	
D13,14			UZ-13BSB	ZENER DIODE	CIMX	
D19			HZS4.7N(B2)	ZENER DIODE	KPYTE	
D19			MTZJ4.7(B)	ZENER DIODE	CIMX	
D19			RD4.7ES(B2)	ZENER DIODE	KPYTE	
D19			UZ-4.7BSB	ZENER DIODE	CIMX	
D101,102			HSS104A	DIODE		
D101,102			1SS131	DIODE		
D103,104	300		HSS104A	DIODE		
D103,104	300		1SS131	DIODE		
D105-108			HSS104A	DIODE		
D105-108	300		1SS131	DIODE		
D109,110	300		HSS104A	DIODE		
D109,110	300		1SS131	DIODE		
D111,112			HSS104A	DIODE		
D111,112			1SS131	DIODE		
D201-207			HSS104A	DIODE		
D201-207			1SS131	DIODE		
D208			HZS13N(B2)	ZENER DIODE	KPYTE	
D208			MTZJ13(B)	ZENER DIODE	CIMX	
D208			RD13ES(B2)	ZENER DIODE	KPYTE	
D208			UZ-13BSB	ZENER DIODE	CIMX	
D209,210			HSS104A	DIODE		
D209,210			1SS131	DIODE		
IC1			UPC1237HA	IC(POWER AMP)		
Δ Q1			2SC3940A(R,S)	TRANSISTOR		
Q3,4			2SC1740S(Q,R)	TRANSISTOR	CIMX	
Q3,4			2SC2458(Y,GR)	TRANSISTOR	KPYTE	
Q3,4			2SC2785(F,E)	TRANSISTOR	CIMX	
Q3,4			2SC3311A(Q,R)	TRANSISTOR	KPYTE	
Δ Q5			2SD2012	TRANSISTOR		
Δ Q5			2SD2061	TRANSISTOR		
Q6-8			2SC1740S(Q,R)	TRANSISTOR	CIMX	
Q6-8			2SC2458(Y,GR)	TRANSISTOR	KPYTE	
Q6-8			2SC2785(F,E)	TRANSISTOR	CIMX	
Q6-8			2SC3311A(Q,R)	TRANSISTOR	KPYTE	
Δ Q101,102	100		TRAITR3N	TRANSISTOR	TE	
Δ Q101,102	300		TRAITR4N	TRANSISTOR		
Δ Q101,102	100		TRAITR4N	TRANSISTOR	KPYCIM	
Δ Q101,102	100		TRAITR4N	TRANSISTOR	X	
Δ Q103,104	300		TRAITR4N	TRANSISTOR		

L : Scandinavia
Y : PX(Far East, Hawaii)
Y : AAFES(Europe)

K : USA
T : Europe
X : Australia

P : Canada
E : Europe
M : Other Areas

R : Mexico
G : Germany
A : indicates safety critical components.

I : Malaysia
C : China
300 : M-A300

New Parts

Parts without **Parts No.** are not supplied.

Les articles non mentionnés dans le **Parts No.** ne sont pas fournis.

Teile ohne **Parts No.** werden nicht geliefert.

6

Ref. No	Add-ress	New Parts	Parts No.	Description	Desti-nation	Re-marks
Δ Q105,106	100		TRAITR3N	TRANSISTOR	TE	
Δ Q105,106	300		TRAITR4N	TRANSISTOR		
Δ Q105,106	100		TRAITR4N	TRANSISTOR	KPYCIM	
Δ Q105,106	100		TRAITR4N	TRANSISTOR	X	
Δ Q107,108	100		TRAITR3P	TRANSISTOR	TE	
Δ Q107,108	300		TRAITR4P	TRANSISTOR		
Δ Q107,108	100		TRAITR4P	TRANSISTOR	KPYCIM	
Δ Q107,108	100		TRAITR4P	TRANSISTOR	X	
Δ Q109,110	300		TRAITR4P	TRANSISTOR		
Δ Q111,112	100		TRAITR3P	TRANSISTOR	TE	
Δ Q111,112	300		TRAITR4P	TRANSISTOR		
Δ Q111,112	100		TRAITR4P	TRANSISTOR	KPYCIM	
Δ Q111,112	100		TRAITR4P	TRANSISTOR	X	
Q113,114			2SC1845(F,E)	TRANSISTOR		
Q115,116	300		2SC1845(F,E)	TRANSISTOR		
Q117,118			2SC1845(F,E)	TRANSISTOR		
Q201,202			2SC2003(L,K)	TRANSISTOR		
Q203			2SA992(F,E)	TRANSISTOR		
Q204			2SA954(L,K)	TRANSISTOR		
Q205			2SC1740S(Q,R)	TRANSISTOR	CIMX	
Q205			2SC2458(Y,GR)	TRANSISTOR		
Q205			2SC2785(F,E)	TRANSISTOR	KPYTE	
Q205			2SC3311A(Q,R)	TRANSISTOR	CIMX	
Q206			2SC2003(L,K)	TRANSISTOR	KPYTE	
Q207,208	100		2SC1740S(Q,R)	TRANSISTOR	CIMX	
Q207,208	300		2SC2458(Y,GR)	TRANSISTOR		
Q207,208	100		2SC2458(Y,GR)	TRANSISTOR	KPYTE	
Q207,208	100		2SC2785(F,E)	TRANSISTOR	CIMX	
Q207,208	300		2SC3311A(Q,R)	TRANSISTOR		
Q207,208	100		2SC3311A(Q,R)	TRANSISTOR	KPYTE	
Q301-303			2SC1740S(Q,R)	TRANSISTOR	CIMX	
Q301-303			2SC2458(Y,GR)	TRANSISTOR	KPYTE	
Q301-303			2SC2785(F,E)	TRANSISTOR	CIMX	
Q301-303			2SC3311A(Q,R)	TRANSISTOR	KPYTE	
CONTROL (X11-3740-10/X11-3773-00)						
C1,2			CE04KW1H4R7M	ELECTRO	4.7UF	50WV
C3,4	300		CE04KW1H4R7M	ELECTRO	4.7UF	50WV
C5,6			CE04KW1H4R7M	ELECTRO	4.7UF	50WV
C7,8			CK45FB1H681K	CERAMIC	680PF	K
C9,10	300		CK45FB1H681K	CERAMIC	680PF	K
C11,12			CK45FB1H681K	CERAMIC	680PF	K
C25,26			CE04KW1A101M	ELECTRO	100UF	10WV
C27,28	300		CE04KW1A101M	ELECTRO	100UF	10WV
C29,30			CE04KW1A101M	ELECTRO	100UF	10WV
C31,32			CC45FSL2H680J	CERAMIC	68PF	J
C33,34	300		CC45FSL2H680J	CERAMIC	68PF	J
C35,36			CC45FSL2H680J	CERAMIC	68PF	J
C37,38			CC45FSL2H470J	CERAMIC	47PF	J
C39,40	300		CC45FSL2H470J	CERAMIC	47PF	J
C41,42			CC45FSL2H470J	CERAMIC	47PF	J
C43,44			CE04KW2A470M	ELECTRO	47UF	100WV
C45	100		CK45FF1H103Z	CERAMIC	0.010UF	Z
C46			CE04KW2A221M	ELECTRO	220UF	100WV
C47			CE04KW1E470M	ELECTRO	47UF	25WV
C48			CE04KW1C470M	ELECTRO	47UF	16WV

L : Scandinavia
Y : PX(Far East, Hawaii)
Y : AAFES(Europe)

K : USA
T : Europe
X : Australia

P : Canada
E : Europe
M : Other Areas

R : Mexico
G : Germany
A : indicates safety critical components.

I : Malaysia
C : China
300 : M-A300

M-A100/A300

PARTS LIST

New Parts
Parts without **Parts No.** are not supplied.
Les articles non mentionnés dans le **Parts No.** ne sont pas fournis.
Teile ohne **Parts No.** werden nicht geliefert.

7

Ref. No	Add-ress	New Parts	Parts No.	Description	Desti-nation	Re-marks
C49			CE04KW2A221M	ELECTRO 220UF 100WV		
C74			CE04KW1E470M	ELECTRO 47UF 25WV		
C75			CE04KW1C470M	ELECTRO 47UF 16WV		
△ C76			C91-1488-05	MF 6800PF 250VAC		
C77 ,78			CK45FF1H103Z	CERAMIC 0.010UF Z		
C85 ,86	300		CK45FB1H681K	CERAMIC 680PF K		
C87 ,88			CK45FB1H681K	CERAMIC 680PF K		
C89 ,90			CK45FB1H681K	CERAMIC 680PF K		
C103-108			CC45FSL1H221J	CERAMIC 220PF J		
C109,110			CC45FSL1H101J	CERAMIC 100PF J	TE	
C111,112	300		CC45FSL1H101J	CERAMIC 100PF J	TE	
C113,114			CC45FSL1H101J	CERAMIC 100PF J	TE	
C117,118	300		CC45FSL1H220J	CERAMIC 22PF J		
C119,120			CC45FSL1H220J	CERAMIC 22PF J		
C127,128			CC45FSL1H330J	CERAMIC 33PF J		
C129,130	300		CC45FSL1H330J	CERAMIC 33PF J		
C131,132			CC45FSL1H330J	CERAMIC 33PF J		
C203			CE04HW1E220M	NP-ELEC 22UF 25WV		
CN5			E40-4245-05	PIN ASSY	CIMX	
CN5			E40-8126-05	PIN ASSY	KPYTE	
CN6 ,7			E40-9825-05	SOCKET FOR PIN ASSY		
CN8			E40-9824-05	SOCKET FOR PIN ASSY		
CN9			E40-9827-05	SOCKET FOR PIN ASSY		
CN12			E40-4293-05	FLAT CABLE CONNECTOR		
CN13			E40-4245-05	PIN ASSY	CX	
CN13			E40-8126-05	PIN ASSY	KPTE	
J1	1C		E58-0018-05	RECTANGULAR RECEPTACLE		
△ J2	1C		E03-0109-05	AC OUTLET	T	
△ J2	1C		E03-0305-05	AC OUTLET	EMI	
△ J2	1C		E03-0316-05	AC OUTLET	KPY	
△ J2	1C		E03-0325-05	AC OUTLET	X	
△ J2	1C		E03-0337-05	AC OUTLET	C	
J3	100		E63-0116-05	PHONO JACK	CIMX	
J3	100		E63-0164-05	PHONO JACK	KPYTE	
W27	100		E31-0001-00	JUMPER WIRE		
W52	300		E31-0001-00	JUMPER WIRE		
W81	100		E31-0001-00	JUMPER WIRE		
W82 ,83	300		E31-0001-00	JUMPER WIRE		
△ F1			F05-2525-05	FUSE (SEMKO) (250V T2.5AL)	TE	
△ F2	100		F05-4025-05	FUSE (SEMKO) (250V T4A L)	TEYCIM	
△ F2	100		F05-4025-05	FUSE (SEMKO) (250V T4A L)	X	
△ F2	300		F05-6321-05	FUSE (SEMKO) (250V T6.3AL)	TECX	
△ F2	100		F50-0077-05	FUSE(5X20)	KP	
△ F2	300		F50-0078-05	FUSE(5X20)	KP	
△ F2 ,3	300		F05-5025-05	FUSE (SEMKO) (250V T5A L)	YMI	
△ F3	100		F05-4025-05	FUSE (SEMKO) (250V T4A L)	YMI	
P1			F10-0977-14	SHIELDING PLATE	CIMX	
P1			F10-1044-04	SHIELDING PLATE	KPYTE	
CN1 ,2			J13-0075-05	FUSE CLIP	TE	
CN3 ,4			J13-0075-05	FUSE CLIP		
CN10,11			J13-0075-05	FUSE CLIP	YMI	
R3 ,4	300		RD14BB2C473J	RD 47K J 1/6W		
R9 ,10	300		RD14BB2C133J	RD 13K J 1/6W		
R15 ,16	300		RD14BB2C272J	RD 2.7K J 1/6W		

L : Scandinavia K : USA P : Canada R : Mexico I : Malaysia 100 : M-A100
Y : PX(Far East, Hawaii) T : Europe E : Europe G : Germany C : China 300 : M-A300
Y : AAFES(Europe) X : Australia M : Other Areas

19

△ indicates safety critical components.

New Parts
Parts without **Parts No.** are not supplied.
Les articles non mentionnés dans le **Parts No.** ne sont pas fournis.
Teile ohne **Parts No.** werden nicht geliefert.

8

Ref. No	Add-ress	New Parts	Parts No.	Description	Desti-nation	Re-marks
R21 ,22	300		RD14BB2C272J	RD 2.7K J 1/6W		
R27 ,28	300		RD14BB2C202J	RD 2.0K J 1/6W		
R29	300		RD14BB2C202J	RD 2.0K J 1/6W		
R30	100		RD14BB2C152J	RD 1.5K J 1/6W		
R30	300		RD14BB2C202J	RD 2.0K J 1/6W		
R31 ,32			RD14NB2E221J	RD 220 J 1/4W		
R33 ,34	300		RD14NB2E221J	RD 220 J 1/4W		
R35 -38			RD14NB2E221J	RD 220 J 1/4W		
R39 ,40	300		RD14NB2E221J	RD 220 J 1/4W		
R41 ,42			RD14NB2E221J	RD 220 J 1/4W		
R43 ,44			RD14NB2E103J	RD 10K J 1/4W		
R45 ,46	300		RD14NB2E103J	RD 10K J 1/4W		
R47 ,48			RD14NB2E103J	RD 10K J 1/4W		
R49 ,50			RD14NB2E271J	RD 270 J 1/4W		
R51 ,52	300		RD14NB2E271J	RD 270 J 1/4W		
R53 ,54			RD14NB2E271J	RD 270 J 1/4W		
△ R55 ,56			RD14NB2E220J	RD 22 J 1/4W		
△ R61 ,62			RD14NB2E470J	RD 47 J 1/4W		
R69 ,70	300		RD14BB2C473J	RD 47K J 1/6W		
R75 ,76	300		RD14BB2C1R0J	RD 1 J 1/6W		
R173	300		RD14BB2C222J	RD 2.2K J 1/6W		
R179	300		RD14BB2C222J	RD 2.2K J 1/6W		
R185	300		RD14BB2C104J	RD 100K J 1/6W		
R191,192	300		RD14BB2C470J	RD 47 J 1/6W		
△ R204			RS14KB3A681J	FL-PROOF RS 680 J 1W		
△ R211			RS14KB3A103J	FL-PROOF RS 10K J 1W		
△ K1			S76-0071-05	MAGNETIC RELAY		
△ K2	100		S76-0028-05	MAGNETIC RELAY		
△ S1	1C		S62-0001-05	SLIDE SWITCH (VOLTAGE)	YMI	
D1 ,2			HSS104A	DIODE		
D1 ,2			1SS131	DIODE		
D3 ,4	300		HSS104A	DIODE		
D3 ,4	300		1SS131	DIODE		
D5 -8			HSS104A	DIODE		
D5 -8			1SS131	DIODE		
D9 ,10	300		HSS104A	DIODE		
D9 ,10	300		1SS131	DIODE		
D11 -13			HSS104A	DIODE		
D11 -13			1SS131	DIODE		
D14	100		HSS104A	DIODE		
D14	100		1SS131	DIODE		
D15 -18			HZS8.2N(B2)	ZENER DIODE		
D15 -18			MTZJ8.2(B)	ZENER DIODE	KPYTE	
D15 -18			RD8.2ES(B2)	ZENER DIODE	CIMX	
D15 -18			UZ-8.2BSB	ZENER DIODE	KPYTE	
D203			HZS3.9N(B2)	ZENER DIODE	CIMX	
D203			MTZJ3.9(B)	ZENER DIODE	KPYTE	
D203			RD3.9ES(B2)	ZENER DIODE	CIMX	
D203			UZ-3.9BSB	ZENER DIODE	CIMX	
D204			HZS15N(B2)	ZENER DIODE	KPYTE	
D204			MTZJ15(B)	ZENER DIODE	CIMX	
D204			RD15ES(B2)	ZENER DIODE	KPYTE	
D204			UZ-15BSB	ZENER DIODE	CIMX	
Q1 ,2			2SA992(F,E)	TRANSISTOR		

L : Scandinavia K : USA P : Canada R : Mexico I : Malaysia 100 : M-A100
Y : PX(Far East, Hawaii) T : Europe E : Europe G : Germany C : China 300 : M-A300
Y : AAFES(Europe) X : Australia M : Other Areas

△ indicates safety critical components.

M-A100/A300

PARTS LIST

New Parts

Parts without **Parts No.** are not supplied.

Les articles non mentionnés dans le **Parts No.** ne sont pas fournis.

Teile ohne **Parts No.** werden nicht geliefert.

9

Ref. No	Add-ress	New Parts	Parts No.	Description	Desti-nation	Re-marks
Q3 ,4	300		2SA992(F,E)	TRANSISTOR		
Q5 -8			2SA992(F,E)	TRANSISTOR		
Q9 ,10	300		2SA992(F,E)	TRANSISTOR		
Q11 ,12			2SA992(F,E)	TRANSISTOR		
Q13 ,14			2SC2631(R,S)	TRANSISTOR		
Q15 ,16	300		2SC2631(R,S)	TRANSISTOR		
Q17 -20			2SC2631(R,S)	TRANSISTOR		
Q21 ,22	300		2SC2631(R,S)	TRANSISTOR		
Q23 ,24			2SC2631(R,S)	TRANSISTOR		
Q25 ,26			2SA1123(R,S)	TRANSISTOR		
Q27 ,28	300		2SA1123(R,S)	TRANSISTOR		
Q29 ,30			2SA1123(R,S)	TRANSISTOR		
Q31 ,32			2SC3940A(R,S)	TRANSISTOR		
Q31 ,32			2SD863(E,F)	TRANSISTOR		
Q121,122			2SC2878(B)	TRANSISTOR		
Q123	300		2SC2878(B)	TRANSISTOR		
Q124-126			2SC2878(B)	TRANSISTOR		
Q203			2SA1048(Y,GR)	TRANSISTOR	KPYTE	
Q203			2SA1175(F,E)	TRANSISTOR	CIMX	
Q203			2SA1309A(Q,R)	TRANSISTOR	KPYTE	
Q203			2SA933AS(Q,R)	TRANSISTOR	CINX	

L : Scandinavia

Y : PX(Far East, Hawaii)

Y : AAFES(Europe)

K : USA

T : Europe

X : Australia

P : Canada

E : Europe

M : Other Areas

R : Mexico

G : Germany

I : Malaysia

C : China

100 : M-A100

300 : M-A300

⚠ indicates safety critical components.

SPECIFICATIONS

M-A100

AUDIO section

Effective output power during STEREO operation

[Except for the U.S.A., Canada and the UK]

1kHz, 10% T.H.D., at 6 Ω 100 W + 100 W

Rated output power during STEREO operation

[For the U.S.A. and Canada]

100 watts per channel minimum RMS, both channels driven, at 6 Ω from 40 Hz to 20 kHz with no more than 0.09 % total harmonic distortion.(FTC)

[For the UK]

(DIN) 1 kHz, 0.7% at 6 Ω 80 W + 80 W

(IEC) 63 Hz ~ 12.5 kHz, 0.7% at 6 Ω 80 W + 80 W

[For other countries]

1kHz, 1% T.H.D., at 6 Ω 80 W + 80 W

Effective output power during SURROUND operation

[For the U.S.A. and Canada]

FRONT (1kHz, 5% T.H.D. at 6 Ω) 100 W + 100 W

CENTER (1kHz, 5% T.H.D. at 6 Ω) 100 W

SURROUND (1kHz, 5% T.H.D. at 6 Ω) 100 W

[For the UK]

FRONT (1kHz, 5% T.H.D. at 6 Ω) 75 W + 75 W

CENTER (1kHz, 5% T.H.D. at 6 Ω) 75 W

SURROUND (1kHz, 5% T.H.D. at 6 Ω) 75 W

[For other countries]

FRONT(1kHz, 10% T.H.D. at 6 Ω) 100 W + 100 W

CENTER (1kHz, 10% T.H.D. at 6 Ω) 100 W

SURROUND(1kHz, 10% T.H.D. at 6 Ω) 100 W

Rated output power during SURROUND operation

[For the U.S.A. and Canada]

FRONT (1kHz, 1% T.H.D. at 6 Ω) 60 W + 60 W

CENTER (1kHz, 1% T.H.D. at 6 Ω) 60 W

SURROUND (1kHz, 1% T.H.D. at 3 Ω) 35 W + 35 W

[For the UK]

FRONT (1kHz, 1% T.H.D. at 6 Ω) 45 W + 45 W

CENTER (1kHz, 1% T.H.D. at 6 Ω) 45 W

SURROUND (1kHz, 1% T.H.D. at 3 Ω) 23 W + 23 W

[For other countries]

FRONT (1kHz, 1% T.H.D. at 6 Ω) 55 W + 55 W

CENTER (1kHz, 1% T.H.D. at 6 Ω) 55 W

SURROUND (1kHz, 1% T.H.D. at 3 Ω) 30 W + 30 W

Total harmonic distortion

[For the UK] 0.007% (1 kHz, 40W, 6 Ω)

[For other countries] 0.007% (1 kHz, 50W, 6 Ω)

Frequency response

LINE (FRONT, CENTER, SURROUND)

20 Hz ~ 70 kHz, +0 dB, -3 dB

Signal to noise ratio (IHF'66)

LINE 105 dB

Input sensitivity / impedance

LINE 1 V / 47 kΩ

Output level / impedance

SUBWOOFER PREOUT 1.6 V / 2.2 kΩ

GENERAL

Power consumption

[For the U.S.A. and Canada] 3 A

[Except for the U.S.A. and Canada] 200 W

AC outlet

[For the U.S.A. and Canada]

UNSWITCHED 1 (total 200 W, 1.6 A max.)

[Except for the U.S.A. and Canada]

UNSWITCHED 1 (total 200 W max.)

Dimensions W : 400 mm (15-3/4")

H : 140 mm (5-1/2")

D : 383 mm (15-1/16")

Weight (Net) 9.7 kg (21.4 lb)

M-A100/A300

SPECIFICATIONS

M-A300

AUDIO section

Effective output power during STEREO operation
[Except for the U.S.A., Canada and the UK]
1kHz, 10% T.H.D., at 6 Ω100 W + 100 W

Rated output power during STEREO operation
[For the U.S.A. and Canada]

100 watts per channel minimum RMS, both channels driven,
at 6 W from 20 Hz to 20 kHz with no more than 0.09 % total
harmonic distortion.(FTC)

[For the UK]
(DIN) 1 kHz, 0.7% at 6 Ω100 W + 100 W
(IEC) 63 Hz ~ 12.5 kHz, 0.7% at 6 Ω100 W + 100 W

[For other countries]
1kHz, 1% T.H.D., at 6 Ω80 W + 80 W

Effective output power during SURROUND operation
[For the U.S.A., Canada and the UK]
FRONT (1kHz, 5% T.H.D. at 6 Ω).....100 W + 100 W
CENTER (1kHz, 5% T.H.D. at 6 Ω).....100 W
SURROUND (1kHz, 5% T.H.D. at 6 Ω) 100 W + 100 W

[For other countries]
FRONT(1kHz, 10% T.H.D. at 6 Ω).....100 W + 100 W
CENTER (1kHz, 10% T.H.D. at 6 Ω).....100 W
SURROUND(1kHz, 10% T.H.D. at 6 Ω)100 W + 100 W

Rated output power during SURROUND operation
[For the U.S.A., Canada]
FRONT (1kHz, 1% T.H.D. at 6 Ω).....60 W + 60 W
CENTER (1kHz, 1% T.H.D. at 6 Ω).....60 W
SURROUND (1kHz, 1% T.H.D. at 6 Ω)60 W + 60 W

[For the UK]
FRONT (1kHz, 1% T.H.D. at 6 Ω).....50 W + 50 W
CENTER (1kHz, 1% T.H.D. at 6 Ω).....50 W
SURROUND (1kHz, 1% T.H.D. at 6 Ω)50 W + 50 W

[For other countries]
FRONT (1kHz, 1% T.H.D. at 6 Ω).....55 W + 55 W
CENTER (1kHz, 1% T.H.D. at 6 Ω).....55 W
SURROUND (1kHz, 1% T.H.D. at 6 Ω)55 W + 55 W

Total harmonic distortion.....0.007%(1 kHz, 50W, 6 Ω)

Frequency response
LINE (FRONT, CENTER, SURROUND)
.....20 Hz ~ 70 kHz, +0 dB, -3 dB

Signal to noise ratio (IHF'66)
LINE105 dB

Input sensitivity / impedance
LINE1 V / 47 kΩ

GENERAL

Power consumption
[For the U.S.A. and Canada]4 A
[Except for the U.S.A. and Canada]330 W

AC outlet
[For the U.S.A. and Canada]
UNSWITCHED.....1 (total 200 W, 1.6 A max.)
[Except for the U.S.A. and Canada]
UNSWITCHED1 (total 200 W max.)

DimensionsW : 400 mm (15-3/4")
H : 140 mm (5-1/2")
D : 383 mm (15-1/16")

Weight (Net).....10.6 kg (23.4 lb)



1. KENWOOD follows a policy of continuous advancements in development. For this reason specifications may be changed without notice.
2. Sufficient performance may not be possible at very low temperature

Note:

Component and circuit are subject to modification to insure best operation under differing local conditions. This manual is based on Europe (E) standard, and provides information on regional circuit modification through use of alternate schematic diagrams, and information on regional component variations through use of parts list.

KENWOOD CORPORATION

14-6,Dogenzaka 1-chome, Shibuya-ku, Tokyo, 150 Japan

KENWOOD SERVICE CORPORATION

P.O BOX 22745, 2201 East Dominguez St., Long Beach, CA 90801-5745, U.S.A.

KENWOOD ELECTRONICS CANADA INC.

6070 Kestrel Road, Mississauga, Ontario, Canada L5T 1S8

KENWOOD ELECTRONICS LATIN AMERICA S.A.

P.O BOX 55-2791, Piso 6 plaza Chase, Cl. 47 y Aquilino de la Guardia Panama, Republic de Panama

KENWOOD ELECTRONICS U.K. LIMITED

KENWOOD House, Dwight Road, Watford, Herts., WD1 8EB., United Kingdom

KENWOOD ELECTRONICS BENELUX N.V.

Meachelsesteenweg 418, B-1930 Zaventem, Belgium

KENWOOD ELECTRONICS DEUTSCHLAND GMBH

Rembrücker Str. 15, 63150 Heusenstamm, Germany

KENWOOD ELECTRONICS FRANCE S.A.

13 Boulevard Ney, 75018 Paris, France

KENWOOD ELECTRONICS ITALIA S.p.A.

Via G. Sirtori, 7/9 20129, Milano, Italy

KENWOOD IBÉRICA S.A.

Bolivia, 239-08020 Barcelona, Spain

KENWOOD ELECTRONICS AUSTRALIA PTY. LTD.

(A.C.N. 001499 074)

P.O Box 504, 8 Figtree Drive, Australia Centre, Homebush, N.S.W. 2140, Australia

KENWOOD & LEE ELECTRONICS, LTD.

Unit 3712-3724, Level 37, Tower 1, Metroplaza, 223 Hing Fong Road, Kwai Fong N.T., Hong Kong

KENWOOD ELECTRONICS GULF FZE

P.O.Box 61318, Jebel Ali, Dubai, U.A.E.

KENWOOD ELECTRONICS SINGAPORE PTE LTD.

No. 1 Genting Lane #02-02, KENWOOD Building, Singapore, 349544

KENWOOD ELECTRONICS (MALAYSIA) SDN BHD.

#4.01 Level 4, Wisma Academy Lot 4A, Jalan 19/1 46300 Petaling Jaya Selangor Darul Ehsan Malaysia