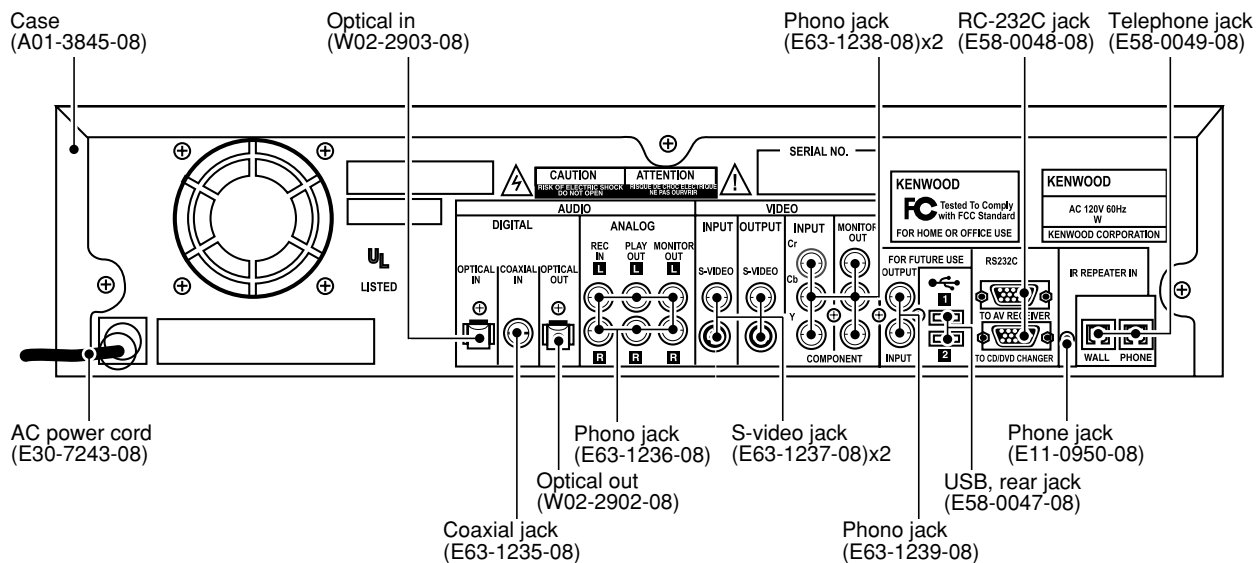
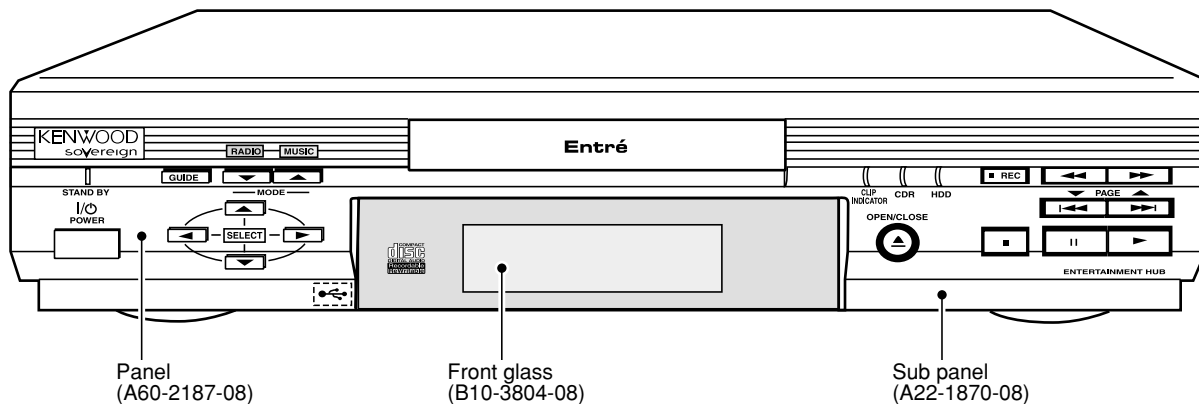


MR-H1

SERVICE MANUAL

© 2002-01 PRINTED IN KOREA
B51-5781-00 (K/K)



In compliance with Federal Regulations, following are reproduction of labels on, or inside the product relating to laser product safety.

Caution : No connection of ground line if disassemble the unit. Please connect the ground line on rear panel, PCBs, Chassis and some others.

KENWOOD-Corp. certifies this equipment conforms to DHHS Regulations No.21 CFR 1040. 10, Chapter 1, subchapter J.

DANGER : Laser radiation when open and interlock defeated.
AVOID DIRECT EXPOSURE TO BEAM.

MR-H1

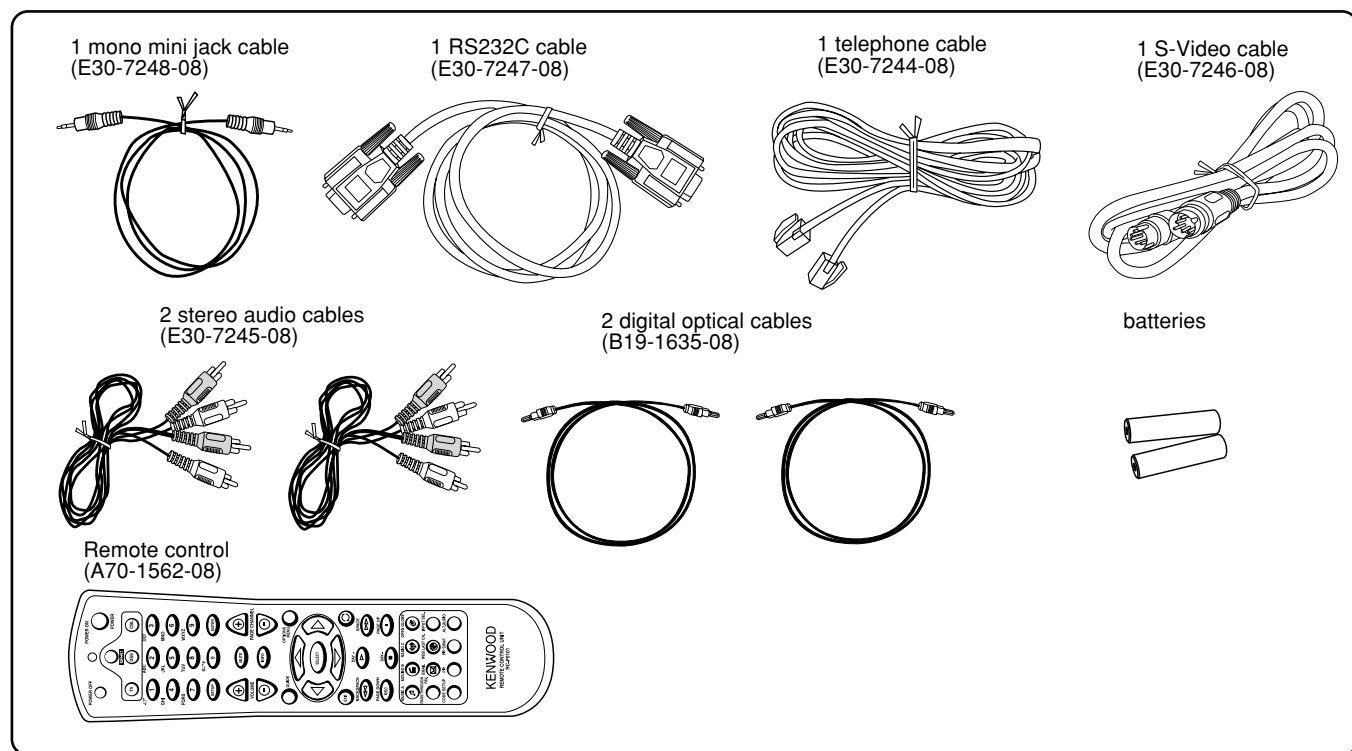
CONTENTS / ACCESSORIES

Contents

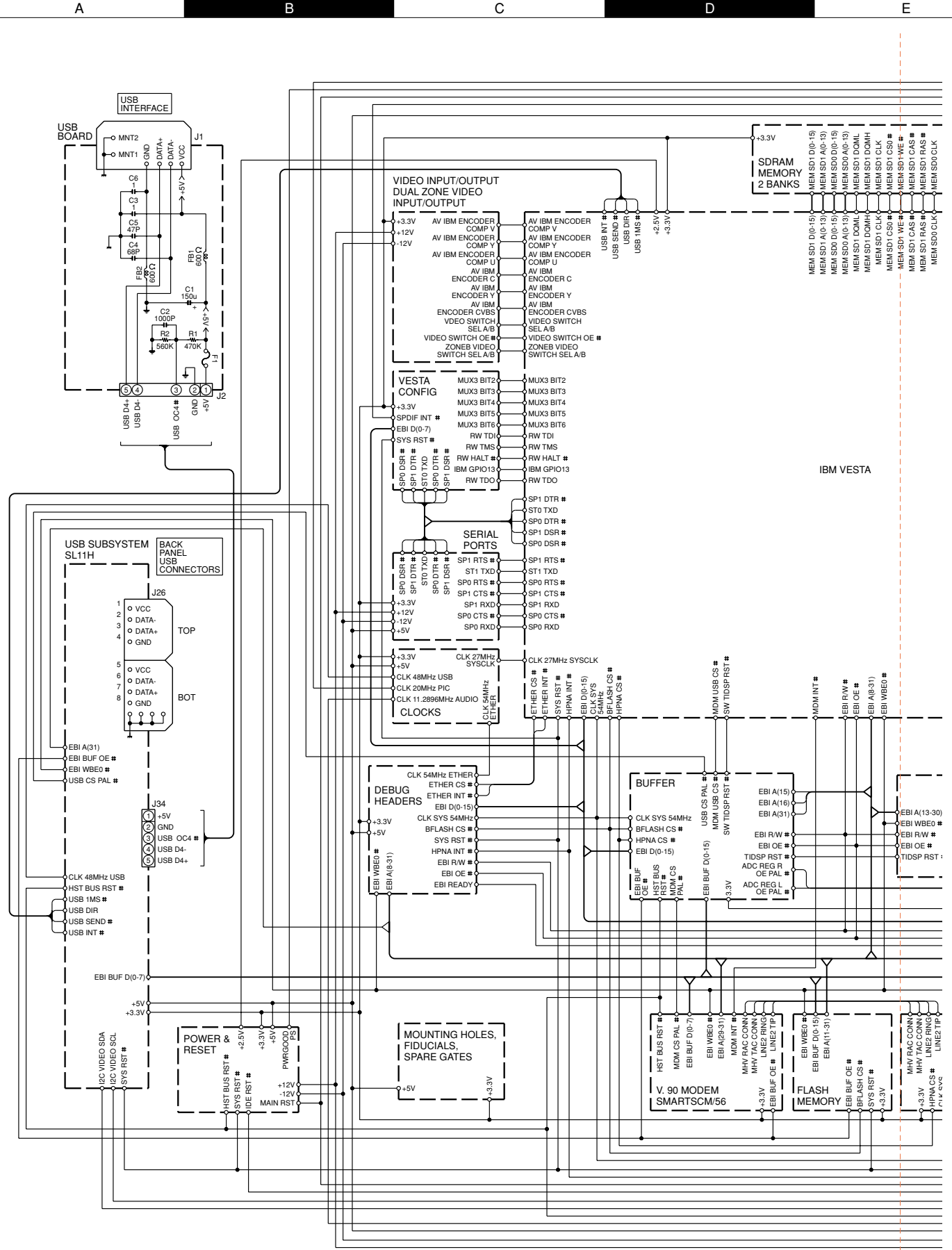
CONTENTS / ACCESSORIES	2	PARTS LIST	7
SCHEMATIC DIAGRAM	3	SPECIFICATIONS	Back cover
EXPLODED VIEW	5		

Note: This manual has only simple schematic diagram, exploded view and parts list. Schematic is available for repairing parts, front usb, both sides button boards. Parts list and exploded view is available for our stock parts. Please contact KENWOOD SERVICE if you want to get a technical information on this model.

Accessories

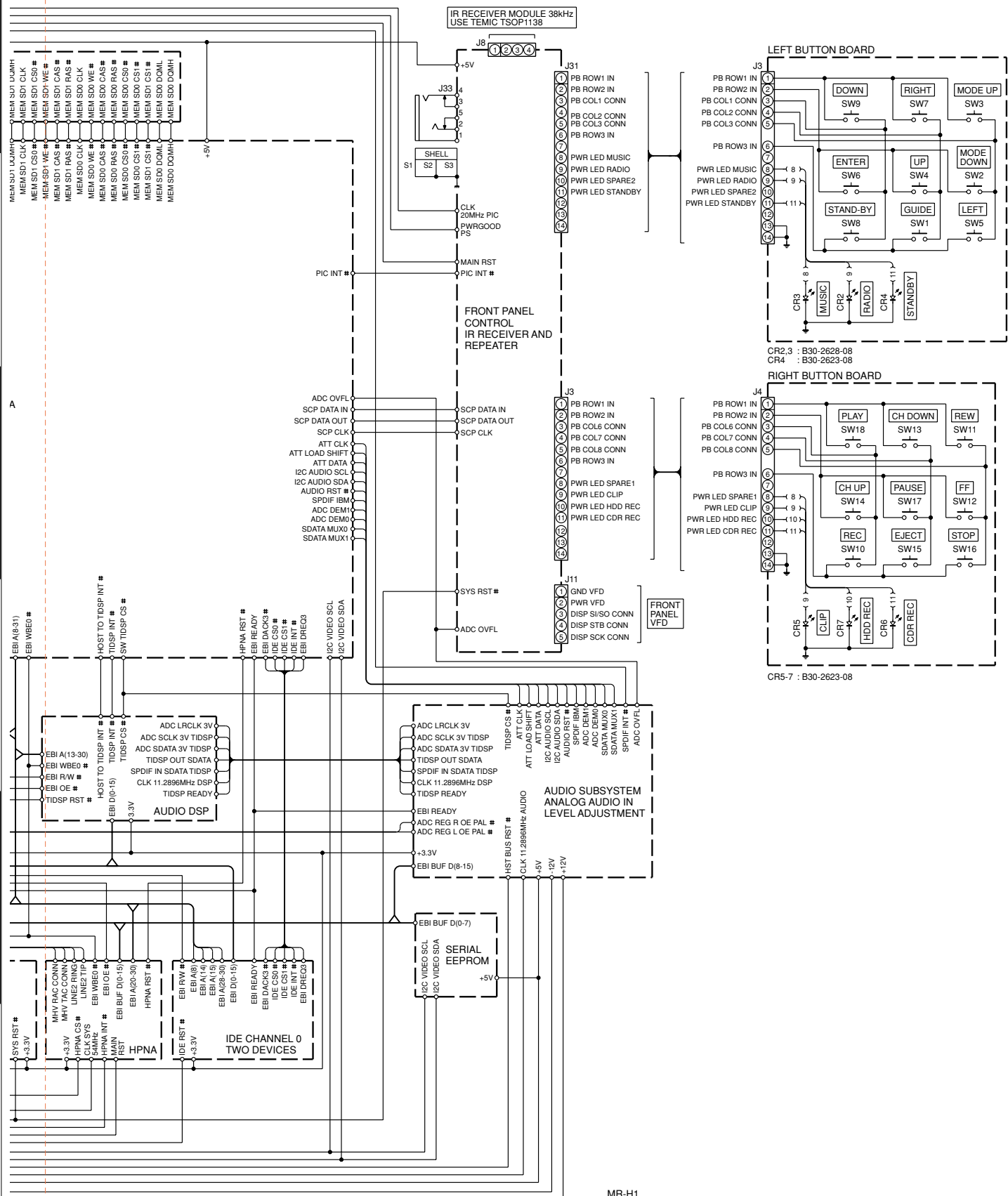


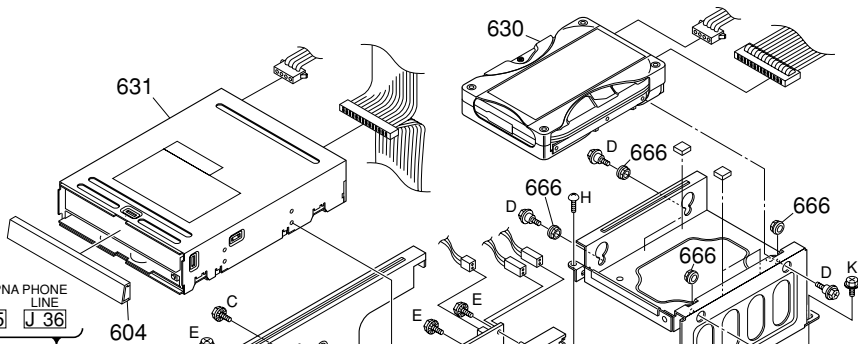
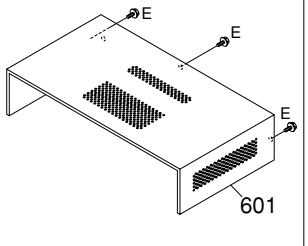
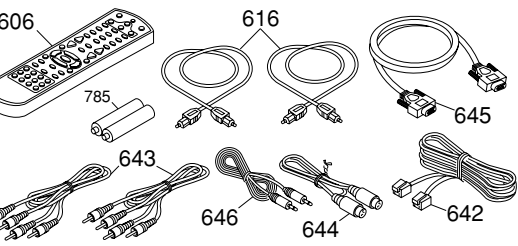
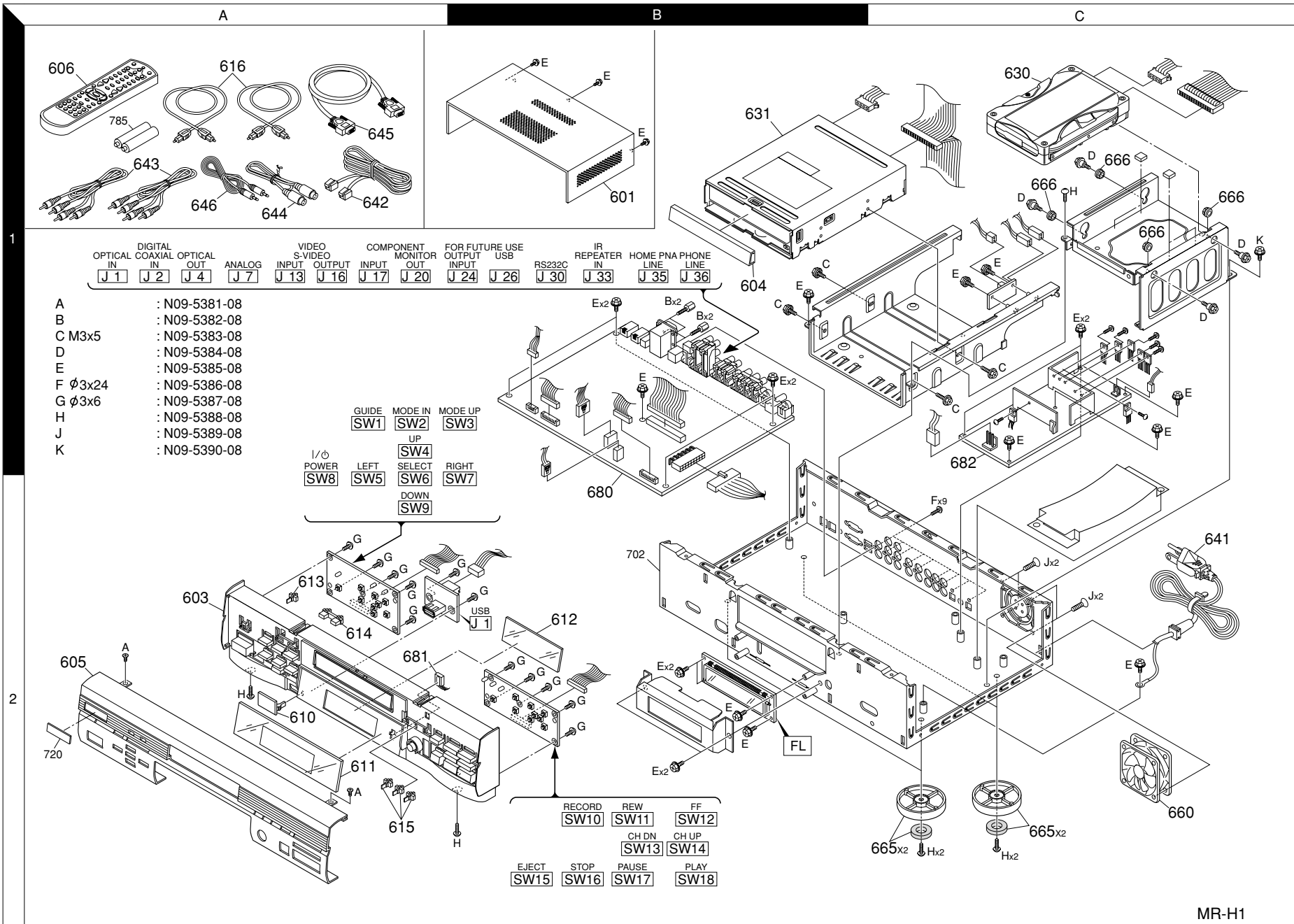
1
2
3
4
5
6
7



CAUTION: For continued safety, replace safety critical components only with manufacturer's recommended parts (refer to parts list). Δ indicates safety critical components. For continued protection against risk of fire, replace only with same type and rating fuse(s). To reduce the risk of electric shock, leakage-current or resistance measurements shall be carried out (exposed parts are acceptably insulated from the supply circuit) before the appliance is returned to the customer.

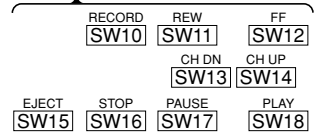
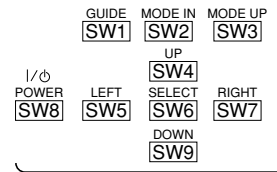
7





DIGITAL OPTICAL IN	DIGITAL OPTICAL OUT	ANALOG	VIDEO S-VIDEO INPUT	VIDEO S-VIDEO OUTPUT	COMPONENT INPUT	MONITOR OUTPUT	FOR FUTURE USE OUTPUT	USB	RS232C	IR REPEATER IN	HOME LINE	PNA LINE	PHONE LINE
J 1	J 2	J 4	J 7	J 13	J 16	J 17	J 20	J 24	J 26	J 30	J 33	J 35	J 36

- A : N09-5381-08
- B : N09-5382-08
- C M3x5 : N09-5383-08
- D : N09-5384-08
- E : N09-5385-08
- F ϕ 3x24 : N09-5386-08
- G ϕ 3x6 : N09-5387-08
- H : N09-5388-08
- J : N09-5389-08
- K : N09-5390-08



EXPLODED VIEW (UNIT)

MR-H1

MR-H1

* New Parts

Parts without **Parts No.** are not supplied.Les articles non mentionnés dans le **Parts No.** ne sont pas fournis.Teile ohne **Parts No.** werden nicht geliefert.

①

Ref. No	Add-ress	New Parts	Parts No.	Description	Desti-nation	Re-marks
MR-H1						
601	1B	*	A01-3845-08	CASE	24-44921-00	
603	2A	*	A22-1870-08	SUB PANEL	24-60906-00	
604	1B	*	A29-1170-08	PANEL ASSY	24-60921-00	
605	2A	*	A60-2187-08	PANEL	24-60907-00	
606	1A	*	A70-1562-08	REMOTE CONTROL	71-90198N00	
610	2A	*	B09-0295-08	CAP	24-60912-00	
611	2A	*	B10-3804-08	FRONT GLASS	24-60910-00	
612	2B	*	B11-1548-04	COLOR FILTER		
613	2A	*	B12-0445-08	INDICATOR,PWR	24-82725-00	
614	2A	*	B12-0446-08	INDICATOR,BLU	24-82726-00	
615	2A	*	B12-0447-08	INDICATOR,RED		
616	1A	*	B19-1635-08	OPTICAL FIBER	24-10758-01	
-	-	*	B59-1460-08	SUB INST BOOK	25-11998-05	
-	-	*	B59-1461-08	GUIDE BOOK	25-11998-04	
-	-	*	B60-5169-08	INSTRUCTION M	25-11998-00	
-	-	*	B60-5179-08	INSTRUCTION M	25-11998-07	
FL	2B	*	B30-2622-08	FLUORECENT TUBE	56-10406-03	
630	1C	*	D40-1768-08	HDD ASSY	23-20750-14	
631	1B	*	D40-1769-08	CD-RW ASSY	23-40357-02	
△ 641	2C	*	E30-7243-08	AC POWER CORD	22-30145-01	
642	1A	*	E30-7244-08	COED WITH PLUG	22-10745-01	
643	1A	*	E30-7245-08	AUDIO CORD	22-10749-01	
644	1A	*	E30-7246-08	S-CABLE	22-10751-01	
645	1A	*	E30-7247-08	RC-232C CABLE	22-10759-01	
646	1A	*	E30-7248-08	MINI JACK CABLE	22-10769-01	
660	2C	*	F09-0169-08	FAN	21-20676-01	
-	-	*	H09-0137-08	INNER PACKAGE	25-22064-00	
-	-	*	H10-7792-08	POLYSTYREN FOAM	25-22057-00	
-	-	*	H10-7793-08	POLYSTYREN FOAM	25-22057-01	
-	-	*	H25-1723-08	PROTECTION BAG	25-21977-04	
-	-	*	H25-1724-08	PROTECTION BAG	25-22063-00	
-	-	*	H50-4265-08	ITEM CARTON CAS	25-22056-01	
665	2C	*	J02-1481-13	FOOT	24-82739-00	
666	1C	*	J42-0353-08	BUSHING	24-82738-00	
A		*	N09-5381-08	SCREW6-32+3/16	24-10182-00	
B		*	N09-5382-08	SCREW,HEX	24-10189-00	
C		*	N09-5383-08	SCREW,M3X5,CD-R	24-10303-00	
D		*	N09-5384-08	SCREW,HDD,6-32	24-10503-01	
E		*	N09-5385-08	SCREW,HEX+GEAR	24-10655-00	
F		*	N09-5386-08	SCREW,TTP3X24	24-10656-01	
G		*	N09-5387-08	SCREW,TTP3X6	24-10707-00	
H		*	N09-5388-08	SCREW,#6-32+7P	24-10708-00	
J		*	N09-5389-08	SCREW,TTP5+10	24-10716-00	
K		*	N09-5390-08	SCREW,HEX+SP-W	24-10717-00	
680	2B	*	W02-2899-08	M/B MODULE	52-80482E02	
681	2B	*	W02-2900-08	IR REMOTE	71-90198N00	
△ 682	1C	*	W02-2901-08	POWER SUPPLY	71-50414-00	
MAIN BOARD						
J2		*	E63-1235-08	COAXIAL JACK	20-21488-01	

L : Scandinavia K : USA P : Canada R : Mexico C : China I : Malaysia
 Y : PX(Far East,Hawaii) T : England E : Europe G : Germany V : China(Shanghai)
 Y : AAFES(Europe) X : Australia Q : Russia H : Korea M : Other Areas △ indicates safety critical components.

* New Parts

Parts without **Parts No.** are not supplied.Les articles non mentionnés dans le **Parts No.** ne sont pas fournis.Teile ohne **Parts No.** werden nicht geliefert.

②

Ref. No	Add-ress	New Parts	Parts No.	Description	Desti-nation	Re-marks
J7		*	E63-1236-08	PHONO JACK,6P	20-21674-01	
J13		*	E63-1237-08	S-VIDEO JACK	20-21550-01	
J16		*	E63-1237-08	S-VIDEO JACK	20-21550-01	
J17		*	E63-1238-08	PHONO JACK,3P	20-21775-01	
J20		*	E63-1238-08	PHONO JACK,3P	20-21775-01	
J24		*	E63-1239-08	PHONO JACK,2P	20-21663-01	
J26		*	E58-0047-08	USB,REAR JACK	20-20833-01	
J30		*	E58-0048-08	RC-232C JACK	20-21664-01	
J33		*	E11-0950-08	PHONE JACK	20-21483-01	
J35 ,36		*	E58-0049-08	TELEPHONE JACK	20-21485-01	
J1		*	W02-2903-08	OPT IN	21-90300-01	
J4		*	W02-2902-08	OPT OUT	21-90298-01	
USB BOARD						
C1		*	C90-5760-08	CAP 150UF 6.3V	10-40621-01	
C2			CK73GB1H102K	CHIP C	1000PF	K
C3			CK73GB1H104K	CHIP C	0.10UF	K
C4 ,5			CC73GCH1H680J	CHIP C	68PF	J
C6			CK73GB1H104K	CHIP C	0.10UF	K
J1		*	E58-0050-08	CON USB-F GOLD	20-21482-01	
F1		*	F53-0274-08	CHIP FUSE	21-30041-01	
FB1 ,2		*	L92-0561-08	FER-BEAD 100MHZ	21-92001-01	
R1			RK73GB1J474J	CHIP R	470K	J 1/16W
R2			RK73GB1J564J	CHIP R	560K	J 1/16W
RIGHT BUTTON BOARD						
CR5-7		*	B30-2623-08	LED RED/GRN	21-90301-01	
SW10 -18		*	S70-0095-08	SWITCH	21-10441-01	
LEFT BUTTON BOARD						
CR2 ,3		*	B30-2628-05	LED BLUE	21-90322-01	
CR4		*	B30-2623-08	LED RED/GRN	21-90301-01	
SW1-9		*	S70-0095-08	SWITCH	21-10411-01	

L : Scandinavia K : USA P : Canada R : Mexico C : China I : Malaysia
 Y : PX(Far East,Hawaii) T : England E : Europe G : Germany V : China(Shanghai)
 Y : AAFES(Europe) X : Australia Q : Russia H : Korea M : Other Areas △ indicates safety critical components.

MR-H1

SPECIFICATIONS

Audio

Frequency Response: 20Hz - 20kHz \pm 0.5dB
THD: <0.003% (1kHz)
Signal-to-Noise Ratio: 100dB
Channel Separation: 95dB (1kHz)
Input Impedance: 47 kohms
Output Impedance: 200 ohms

Video

Bandwidth (pass-through): 45MHz (Component),
6.5MHz (Composite)

Drive

CD-ROM Read Speed: 24X
CD-R Write Speed: 10X
CD-RW Write Speed: 4X
Dimensions and Weight
Width: 17-5/16"
Height: 4-1/2"
Depth: 11-1/2"
Weight: 14.3 lb.

KENWOOD CORPORATION

14-6, Dogenzaka 1-chome, Shibuya-ku, Tokyo, 150-8501 Japan

KENWOOD SERVICE CORPORATION

P.O. BOX 22745, 2201 East Dominguez St., Long Beach, CA 90801-5745, U.S.A.

KENWOOD ELECTRONICS CANADA INC.

6070 Kestrel Road, Mississauga, Ontario, Canada L5T 1S8

KENWOOD ELECTRONICS LATIN AMERICA S.A.

P.O. BOX 55-2791, Piso 6 plaza Chase, Cl. 47 y Aquilino de la Guardia Panama, Republic de Panama

KENWOOD ELECTRONICS BRASIL LTDA.

Alameda Ministro Rocha Azevedo No. 456, Edifício Jaú, 10o Andar, Cerqueira César, Cep 0140-001, São Paulo-SP-Brasil

KENWOOD ELECTRONICS U.K. LIMITED

KENWOOD House, Dwight Road, Watford, Herts., WD1 8EB., United Kingdom

KENWOOD ELECTRONICS BELGIUM N.V.

Leuvensesteenweg 248 J, 1800 Vilvoorde, Belgium

KENWOOD ELECTRONICS DEUTSCHLAND GMBH

Rembrücker Str. 15, 63150 Heusenstamm, Germany

KENWOOD ELECTRONICS FRANCE S.A.

13 Boulevard Ney, 75018 Paris, France

KENWOOD ELECTRONICS ITALIA S.p.A.

Via G. Sirtori, 7/9 20129, Milano, Italy

KENWOOD IBÉRICA S.A.

Bolivia, 239-08020 Barcelona, Spain

KENWOOD ELECTRONICS AUSTRALIA PTY. LTD.

(A.C.N. 001 499 074)
16 Giffnock Avenue, North Ryde, N.S.W. 2113, Australia

KENWOOD ELECTRONICS (HONG KONG) LTD.

Unit 3712-3724, Level 37, Tower 1, Metroplaza, 223 Hing Fong Road, Kwai Fong N.T., Hong Kong

KENWOOD ELECTRONICS GULF FZE

P.O. Box 61318, Jebel Ali, Dubai, U.A.E.

KENWOOD ELECTRONICS SINGAPORE PTE LTD.

No. 1 Genting Lane #02-02, KENWOOD Building, Singapore, 349544

KENWOOD ELECTRONICS (MALAYSIA) SDN BHD.

#4.01 Level 4, Wisma Academy Lot 4A, Jalan 19/1 46300 Petaling Jaya Selangor Darul Ehsan Malaysia

KENWOOD ELECTRONICS (THAILAND) CO., LTD.

2019 New Pechburi Road, Bangkapi, Huaykwang, Bangkok, 10320 Thailand