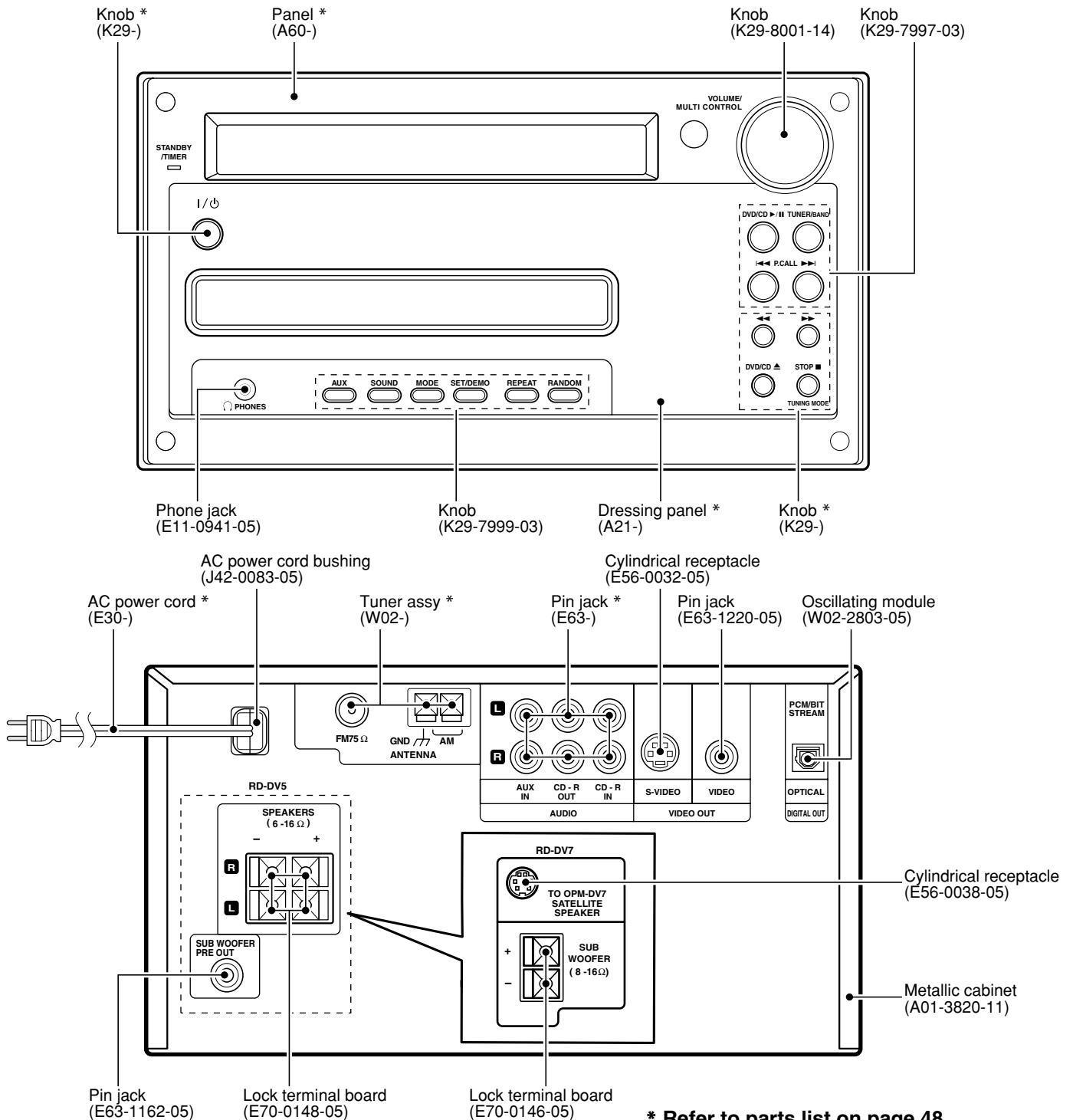


RD-DV5-S/DV7-L RD-DV5MD-S SERVICE MANUAL

© 2001-9 PRINTED IN KOREA
B51-5754-00 (K/K) 2345



*** Refer to parts list on page 48 .
Illustration is RD-DV5-S/DV7-L.**

In compliance with Federal Regulations, following are reproduction of labels on, or inside the product relating to laser product safety.

KENWOOD-Corp. certifies this equipment conforms to DHHS Regulations No.21 CFR 1040. 10, Chapter 1, subchapter J.

**DANGER : Laser radiation when open and interlock defeated.
AVOID DIRECT EXPOSURE TO BEAM.**



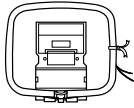
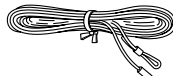
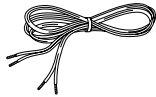
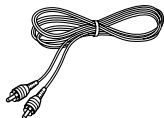
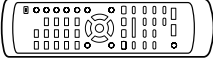
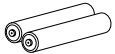
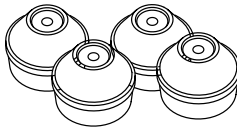
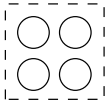
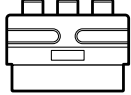
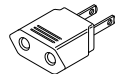
RD-DV5-S/DV7-L/DV5MD-S

CONTENTS / ACCESSORIES / CAUTIONS

Contents

CONTENTS / ACCESSORIES / CAUTIONS.....	2	PARTS DESCRIPTIONS	16
DISASSEMBLY FOR REPAIR.....	3	PC BOARD	17
BLOCK DIAGRAM	6	SCHEMATIC DIAGRAM	25
CIRCUIT DESCRIPTION	7	EXPLODED VIEW	45
ADJUSTMENT	14	PARTS LIST.....	48
WIRING DIAGRAM	15	SPECIFICATIONS	Back cover

Accessories

<p>AM loop antenna(1) (T90-0852-05)</p> 	<p>FM indoor antenna (1) (T90-0855-05)</p> 	<p>Speaker cord(2)</p> 	<p>Video cord(1) (E30-7226-05)</p> 
<p>Remote control unit(1) (A70-1521-05): M (A70-1522-05): TE (A70-1524-05): M2X2V2 (A70-1525-05): T2E2</p> 	<p>Batteries (R6/AA)(2)</p> 	<p>Feet for speaker(4) (J02-0034-08)</p> 	<p>Cushion for satellite speaker(4) (W01-1178-08)</p> 
<p>SCAT plug adaptor for TV(1) (For EUROPE and U.K.) (E69-0012-05)</p> 	<p>AC Plug Adaptor (1) (E03-0115-05)</p>  <p>Use to adapt the plug on the power cord to the shape of the wall outlet. (Accessory only for regions where use is necessary.)</p>		

System configurations

SYSTEM	MAIN UNIT	DESTINATION	SPEAKER	SP CORD PARTS No.
HM-DV6MD	RD-DV5MD-S	M	LS-DV6-S	E30-5500-05
HM-DV5	RD-DV5-S	TE	LS-DV5-S	E30-5941-04
HM-DV6	RD-DV5-S	E	LS-DV6-S	E30-5500-05
HM-DV7	RD-DV7-L	T2E2M2X2V2	OPM-DV7-L	E30-5943-08

Remote controller

REMOTE CONTROLLER	MODEL NAME	MAIN UNIT	DESTINATION
A70-1521-05	RC-M0513	RD-DV5MD-S	M
A70-1522-05	RC-F0504E	RD-DV5-S	TE
A70-1524-05	RC-F0505	RD-DV7-L	M2X2V2
A70-1525-05	RC-F0505E	RD-DV7-L	T2E2

Cautions

Operation to reset

The microcomputer may fall into malfunction (impossibility to operate, erroneous display, etc.) when the power cord is unplugged while unit is ON or due to an external factor. In this case, execute the following procedure to reset the microcomputer and return it to normal condition.

Unplug the power cord from the power outlet then, while holding the STOP ■ /TUNING MODE key depressed, plug the power cord again.

- Please note that resetting the microcomputer clears the contents stored in and it returns to condition when it left the factory.

The marking of products using lasers (For countries other than U.S.A., U.S.-Military and Canada)

**CLASS 1
LASER PRODUCT**

The marking this product has been classified as Class 1. It means that there is no danger of hazardous radiation outside the product.
Location: Back panel

**CAUTION
VISIBLE LASER RADIATION
WHEN OPEN. DO NOT
STARE INTO BEAM.**

Inside this laser product, a laser diode classified as Class 2 laser radiation is contained as alerted by the internal caution label shown above. Do not stare into beam.
Location: DVD laser pick-up unit cover inside this product

**CAUTION
VISIBLE LASER
RADIATION WHEN OPEN.
AVOID EXPOSURE TO BEAM.**

Inside this laser product, a laser diode classified as Class 3B laser radiation is contained as alerted by the internal caution label shown above. Avoid exposure to laser beams.
Location: MD laser pick-up unit cover inside this product

RD-DV5-S/DV7-L/DV5MD-S

DISASSEMBLY FOR REPAIR

How to open the tray if it does not come out.

1. Insert a jig and turn it fully ccw in the drawing through the hole on the loading chassis bottom.
2. Pull out the tray frontward by hand when it comes just out.

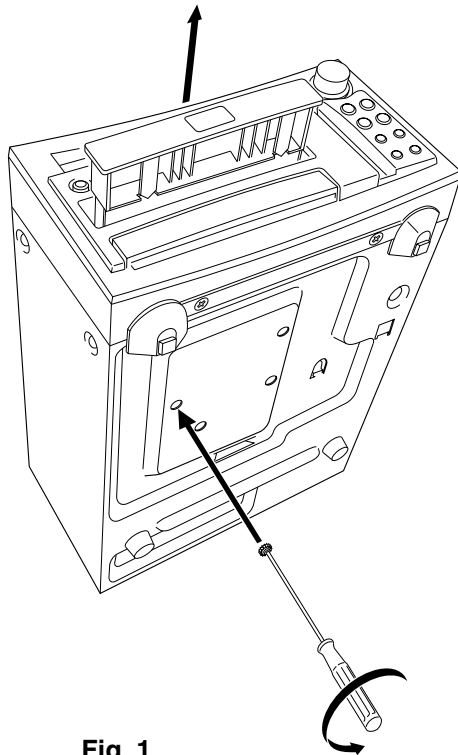


Fig.1

- * How to make a jig
Insert a hex wrench to a hole of gear (W05-0881-00) in the drawing below.
If you lost the gear use it which located on DVD mechanism in the drawing (Fig.3).

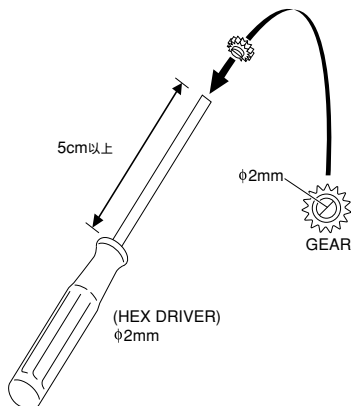


Fig.2

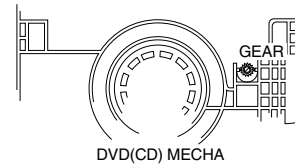


Fig.3

How to open the tray and a clamber.

1. Pull out the tray slightly frontward by hand.
(Refer to Fig.1)
2. Remove the tray.
3. Remove the clamber in the arrow direction.

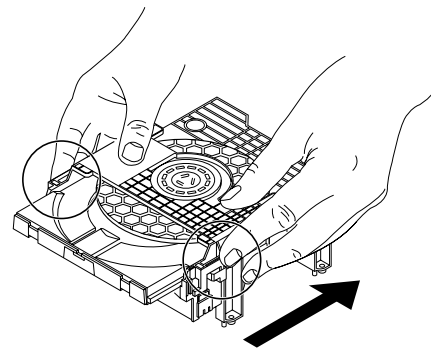


Fig.4

4. Remove the tray and clamber upward.

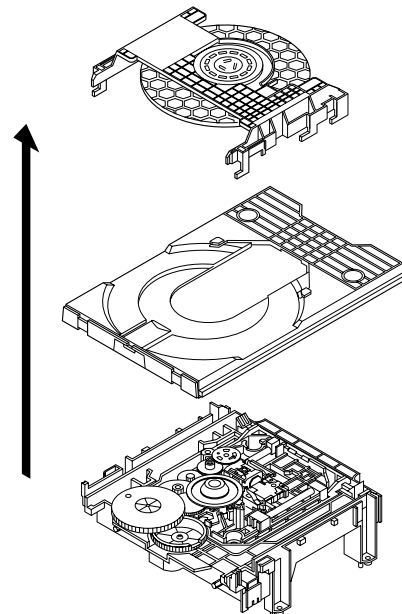


Fig.5

RD-DV5-S/DV7-L/DV5MD-S

DISASSEMBLY FOR REPAIR

How to attach the tray and the clumper.

1. Turn the traverse gear A in the direction of the arrow in the drawing so that the traverse unit will reach the highest position.

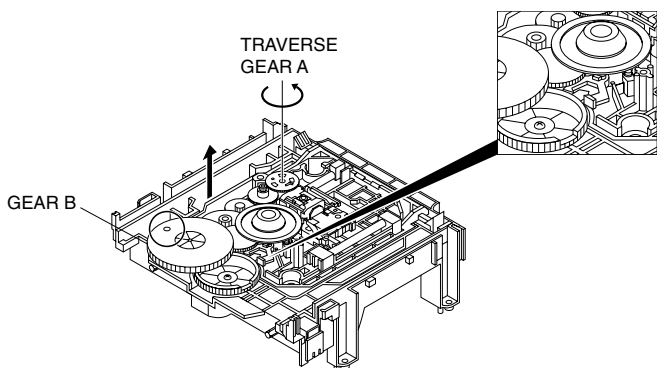


Fig. 6

2. Attach the tray in the arrow direction.

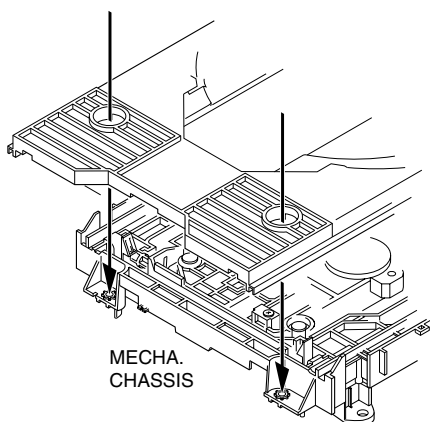


Fig. 7

3. Attach the clumper in the arrow direction.

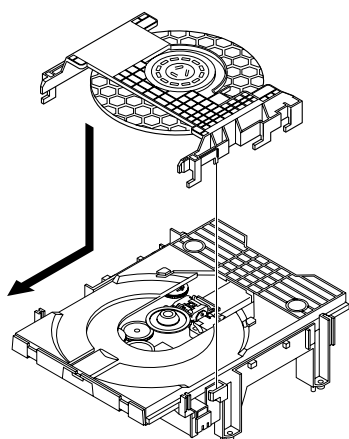


Fig. 8

Assembling and Disassembling the Optical Pickup

The optical pickup can be damaged by static electricity from your body.

Be sure to take static electricity countermeasures when working around the optical pickup.

Handling the Optical Pickup

1. The optical pickup is an extremely high-precision mechanism. Do not subject it to strong damage.
2. Testers cannot be used to check the laser diode of the optical pickup. The power supply inside the tester can easily damage the laser diode.
3. Take care when handling the flexible cable because excessive force can cause it to break.
4. To preserve the quality of the optical pickup replacement parts during transport and installation, the terminals of the laser diode are short-circuited. After replacing the parts, use the proper procedure to return the laser diode to its original condition.

Static Electricity Countermeasures

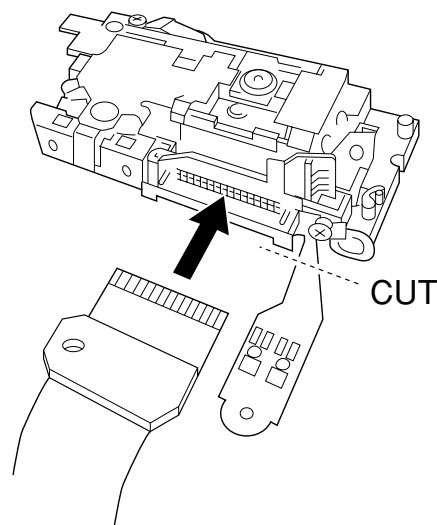
The laser diode inside the traverse unit (optical pickup) can be damaged by static electricity from your body. Be sure to take static electricity countermeasures when working around the optical pickup.

Static Electricity Countermeasure Methods

1. Ground yourself
Use an anti-static wrist strap to discharge static electricity from your body.
2. Ground the workbench
Lay a conductive material (sheet) or steel sheet on the surface where the traverse unit (optical pickup) is to be placed, then ground the sheet.

Assembling the Optical Pickup

1. Insert a flexible cable in the arrow direction in the drawing.
2. Cut the flexible cable.

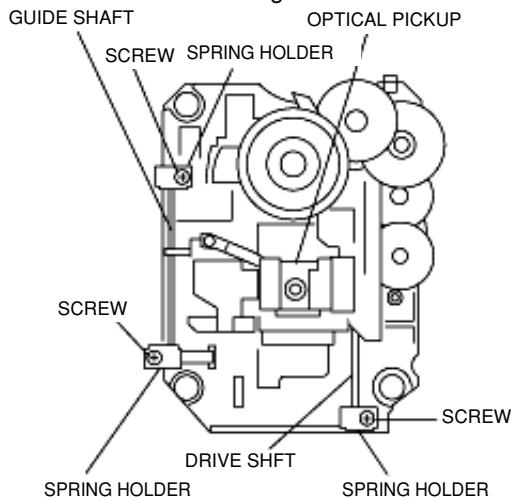


RD-DV5-S/DV7-L/DV5MD-S

DISASSEMBLY FOR REPAIR

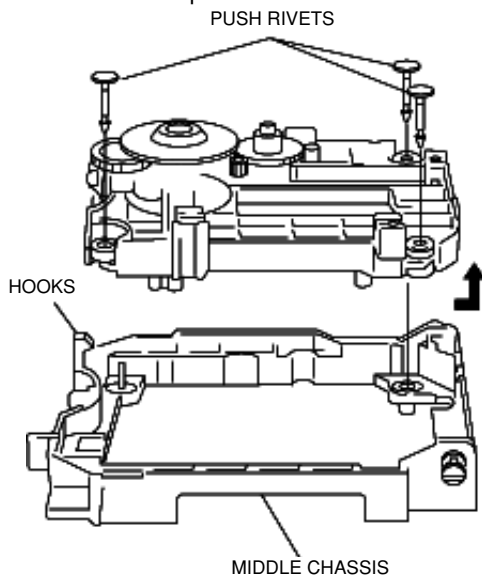
Disassembling the Optical Pickup

1. Remove screws.
2. Remove spring holder and spring.
3. Pull out the drive-shaft and guide shaft.



Disassembling the Middle Chassis

1. Remove 3 push rivets.
2. Remove the hooks.
3. Lift the traverse unit upward to remove the middle chassis.

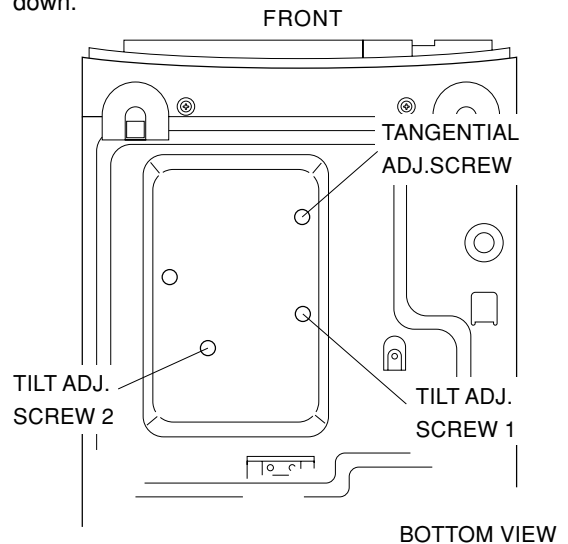


1. Optical pickup Tilt Adjustment

1-1 Adjustment

1. Insert the AC power plug to AC wall outlet with pressing the DVD/CD play key.
(The tray opens automatically)
2. Load a DVD disc and press DVD/CD play key.
3. Press "SOUND" key.
(Jitter value is displayed.)
JITT XXX % XXX is present jitter value
- *4. Play DVD disc first chapter (inner periphery).
5. Adjust to the minimum jitter value.
(Tangential adjustment screw)

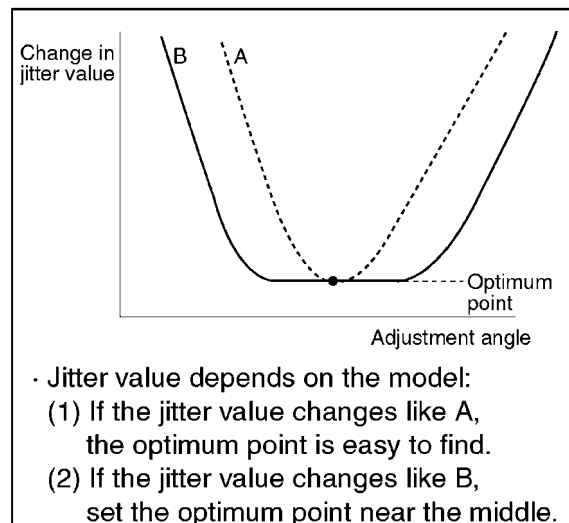
- *6. Play DVD disc last chapter (outer periphery).
7. Adjust to the minimum jitter value.
(Tilt adjustment screw1)
- *8. Play DVD disc last chapter (outer periphery).
9. Adjust to the minimum jitter value.
(Tilt adjustment screw2)
10. Repeat adjusting tilt adjustment screws 1 and 2 alternately, two or three times.
- * Press "SKIP UP/SKIP DOWN" keys for Tno. up or down.



Do item 5~10 from the bottom of the main unit using a hex wrench.

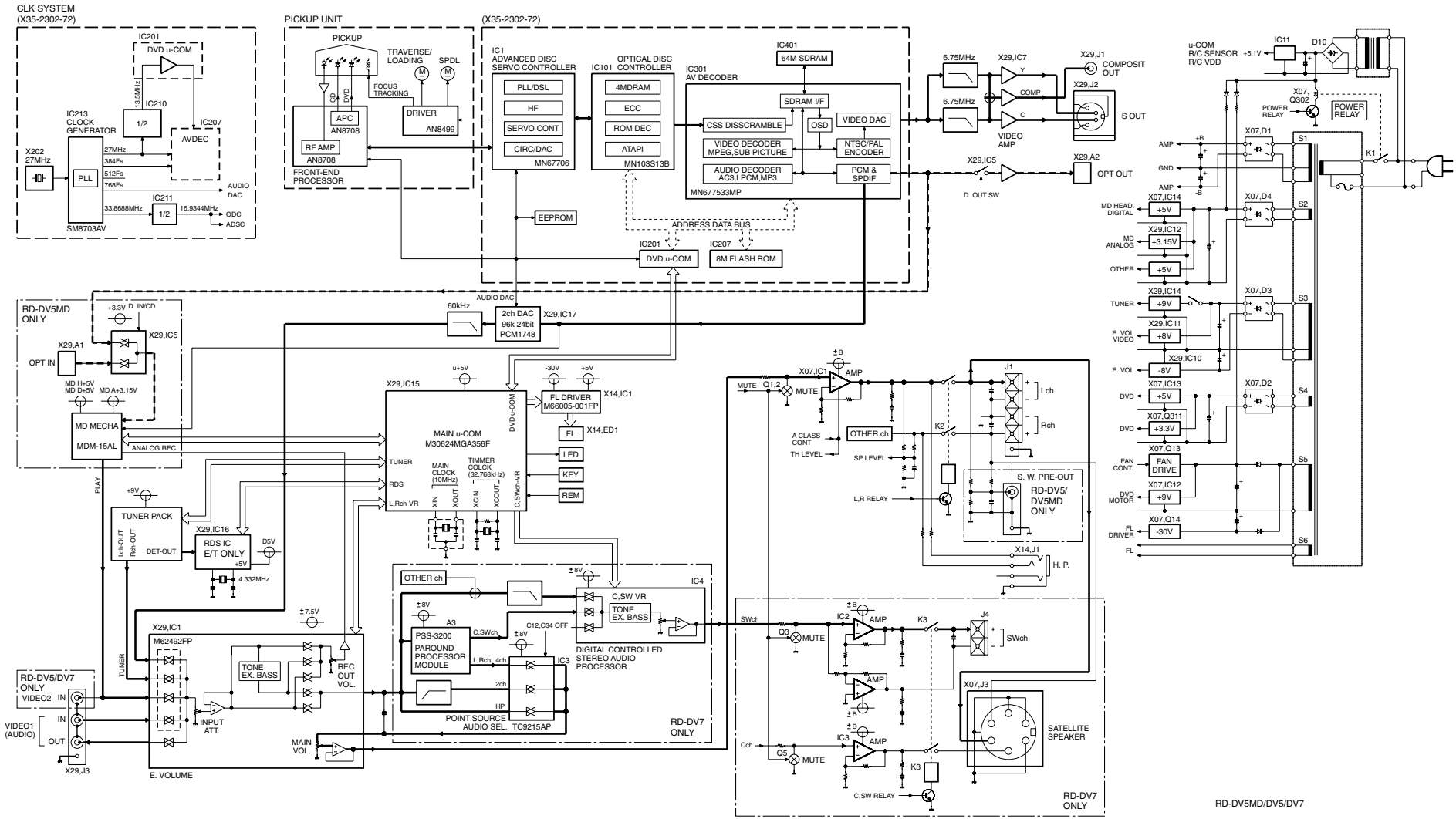
1-2 Point

1. First of all adjust tangential adjustment then adjust tilt adjustment.
2. To get optimum point, repeat item 1 adjustment alternately, two or three times.
3. Finally, adjust the tilt adjustment.



1-3 Check condition after adjustment

1. Play the disc to make sure there is no picture degradation in the inner, middle and outer peripheries, and no audio skipping.
2. Lock the adjustment screw in position using screw lock.



BLOCK DIAGRAM

RD-DV5-S/DV7-L/DV5MD-S

RD-DV5MD/DV5/DV7

RD-DV5-S/DV7-L/DV5MD-S

CIRCUIT DESCRIPTION

1. Initializing

1-1 Initialization Method

- While pressing the [STOP] key, turn the AC on.

1-2 Initialization Operation

- During the initial operation, the display shows "INITIALIZE" and after that it will be returned to standby condition.
- If any mechanisms error occurred, the error indication is displayed as "ERR" on the display.

1-3 Mechanism Initializations

① DVD Mechanism

- If a mechanism error occurred, the error indication is displayed as "DVD ERR" on the display.

② MD Mechanism

- If a mechanism error occurred, the error indication is displayed as "MD ERR" on the display.
- The disc will be unloaded from MD mechanism automatically, if a disc is its in.

2. Discrimination of the Model and Destination for Tuner

2-1 Discrimination of the Model

Models	Destination	Destination SW3	Destination SW4
RD-DV5MD	M	0	0
RD-DV5	E/T	0	0
RD-DV7	T/E1/M1/X/V	1	1

2-2 Tuner Destination

Destination	Destination SW			u-COM Destination	BAND	Receiving Frequency Range	Channel Space	IF	RF
	2	1	0						
M	0	1	1	K2	FM AM	87.5MHz~108.0MHz 530kHz~1610kHz	100kHz 10kHz	+10.7MHz +450kHz	25kHz 10kHz
				E1	FM AM	87.5MHz~108.0MHz 531kHz~1602kHz	50kHz 9kHz	+10.7MHz +450kHz	25kHz 9kHz
X	0	0	1	E1	FM AM	87.5MHz~108.0MHz 531kHz~1602kHz	50kHz 9kHz	+10.7MHz +450kHz	25kHz 9kHz
E/T (RDS)	1	0	1	E3	FM AM	87.5MHz~108.0MHz 531kHz~1602kHz	50kHz 9kHz	+10.7MHz +450kHz	25kHz 9kHz
V	1	1	1	K2	FM AM	87.5MHz~108.0MHz 530kHz~1610kHz	100kHz 10kHz	+10.7MHz +450kHz	25kHz 10kHz
				E1	FM AM	87.5MHz~108.0MHz 531kHz~1602kHz	50kHz 9kHz	+10.7MHz +450kHz	25kHz 9kHz

* Destination SW

SW0 : (78)Pin SW1 : (77)Pin SW2 : (76)Pin SW3 : (75)Pin SW4 : (74)Pin

() Pin No. of System Microcomputer : X29,IC15

3. Tuner Preset Frequency

P.CH	Frequency			P.CH	Frequency		
	K1	K2	E1/E3		K1	K2	E1/E3
1	FM 87.50MHz	FM 87.50MHz	FM 87.50MHz	21	AM 530kHz	AM 530kHz	AM 531kHz
2	FM 108.0MHz	FM 108.0MHz	FM 108.0MHz	22	FM 87.50MHz	FM 87.50MHz	FM 87.50MHz
3	FM 98.00MHz	FM 98.00MHz	FM 98.00MHz	23	FM 87.50MHz	FM 87.50MHz	FM 87.50MHz
4	FM 108.0MHz	FM 108.0MHz	FM 89.10MHz	24	FM 87.50MHz	FM 87.50MHz	FM 87.50MHz
5	FM 90.00MHz	FM 90.00MHz	FM 90.00MHz	25	FM 87.50MHz	FM 87.50MHz	FM 87.50MHz
6	FM 87.50MHz	FM 87.50MHz	FM 87.50MHz	26	FM 87.50MHz	FM 87.50MHz	FM 87.50MHz
7	FM 87.50MHz	FM 87.50MHz	FM 87.50MHz	27	FM 87.50MHz	FM 87.50MHz	FM 87.50MHz
8	AM 530kHz	AM 530kHz	AM 531kHz	28	FM 87.50MHz	FM 87.50MHz	FM 87.50MHz
9	AM 1700kHz	AM 1610kHz	AM 1602kHz	29	FM 87.50MHz	FM 87.50MHz	FM 87.50MHz
10	AM 1000kHz	AM 1000kHz	AM 999kHz	30	FM 106.0MHz	FM 106.0MHz	FM 106.0MHz
11	AM 530kHz	AM 630kHz	AM 531kHz	31	FM 87.50MHz	FM 87.50MHz	FM 87.50MHz
12	AM 1440kHz	AM 1440kHz	AM 1440kHz	32	FM 87.50MHz	FM 87.50MHz	FM 87.50MHz
13	FM 106.0MHz	FM 106.0MHz	FM 106.0MHz	33	FM 87.50MHz	FM 87.50MHz	FM 87.50MHz
14	AM 530kHz	AM 530kHz	AM 531kHz	34	FM 87.50MHz	FM 87.50MHz	FM 87.50MHz
15	FM 87.50MHz	FM 87.50MHz	FM 87.50MHz	35	FM 87.50MHz	FM 87.50MHz	FM 87.50MHz
16	FM 98.00MHz	FM 98.00MHz	FM 98.00MHz	36	FM 87.50MHz	FM 87.50MHz	FM 87.50MHz
17	FM 98.50MHz	FM 98.50MHz	FM 98.50MHz	37	FM 87.50MHz	FM 87.50MHz	FM 87.50MHz
18	FM 87.50MHz	FM 87.50MHz	FM 87.50MHz	38	FM 87.50MHz	FM 87.50MHz	FM 87.50MHz
19	AM 990kHz	AM 990kHz	AM 990kHz	39	FM 108.0MHz	FM 108.0MHz	FM 108.0MHz
20	FM 97.40MHz	FM 97.40MHz	FM 97.70MHz	40	AM 1000kHz	AM 1000kHz	AM 945kHz

RD-DV5-S/DV7-L/DV5MD-S

CIRCUIT DESCRIPTION

4. Test Mode

4-1 Setting method of the Test Mode

TEST MODE	KEY	SETTING
DVD TEST MODE	DVD PLAY/PAUSE	Insert the AC cord to AC wall outlet with pressing the left key.
MD TEST MODE	MD PLAY/PAUSE	
MD MECHA. ADJ. MODE	MD REC	
FCT & SUB CLOCK OSC DIAGNOSIS	SET/DEMO	

4-2 Cancel of the test mode

- By turning the AC off, the system is initialized and the test mode is canceled.
- Cancel the test mode only if the power switch is turned off.

4-3 Contents of the Test Mode

- The muting during mode selection is not controlled in the test mode.
- During the test mode, it can be operated in a special manner that is different from an ordinary operation by using the keys on the main body, specifically as shown in the following tables.

4-4 FCT(Factory) and Sub clock OSC Diagnosis Mode

4-4-1 Sub clock OSC Diagnosis Mode

The oscillation diagnosis (existence of oscillation and measurement of period) of a sub clock is performed before the test mode is entered. If the diagnosis result is OK, the system enters the test mode.

If the diagnosis result is NG, the oscillation of the sub clock is diagnosed again. If the result is OK, the system enters the test mode. If the diagnosis result is continuously NG 5 times, the system stops with "ERR1" and "ERR2" displayed.

4-4-2 Operation in the Test Mode

KEY	LCD	OPERATION
REPEAT	OK or **** ERROR	Self diagnosis mode (Refer to servo error code)

**** ERROR

Ex : ADSC ERROR

(Advanced Digital Servo Controller) ... X35, IC1

4-5 DVD Test Mode

KEYS	DISPLAY	OPERATION
DVD PLAY/PAUSE (Cyclically changed the mode play and pause by pressing the key.)	Usual Indication	Disc playback
STOP(in playback mode)	DVD TEST	Stop the playback and return to first step of this test mode
STOP(in stop mode)	Region code	Indicated the region code
SKIP UP/SKIP DOWN	Usual Indication	Skip up/down operation in the DVD playback.
SOUND	J ITT *** %	Shows jitter value (binary values vs time deviation of PLL clock).
MD REC	Usual Indication	FF Operation (triple speed)
REC MODE	Usual Indication	FB Operation (triple speed)

4-6 MD Test Mode

KEYS	DISPLAY	OPERATION
MD PLAY/PAUSE	Usual Indication	MD playback/pause
STOP	MD TEST	Stop the MD operation.
SKIP UP/DOWN	Usual Indication	MD track up/down
REC MODE	Usual Indication	Hi-speed O.T.E.(DVD → MD) operation in the stop mode. Start the MD recording with LP4 mode.
MD REC	Usual Indication	Start analog recording (DVD → MD).
MODE	Usual Indication	Start digital recording (D. AUX → MD).
SET	ALL ERASE	Stop the MD operation , and start operation of ALL- ERASE if disc is recordable.

4-7 MD Mecha. Adjustment

1. Preparation for Adjustment

You have to carry out the following test mode items if replace MD mechanism, pickup, head and pc board.

1-1 Procedure

1. Short-circuit #4(vss) and #7(wp) of IC1402(EEPROM).
2. Set the unit to test mode and carry out the every adjustment in test mode.
3. Stop the test mode by pressing the STOP key for 3 secs
4. Remove the short circuit of IC1402. Carry out reset start.

RD-DV5-S/DV7-L/DV5MD-S

CIRCUIT DESCRIPTION

Repair (replace)	TEMP Standard Set	EEPROM Set value check	* EEPROM data write	AUTO Pre adjustment	AUTO adjustment	AUTO AFB adjustment	* EEPROM data write	** Operation check	
	TEMP	EEPROM SET	Cancel Test Mode	AUTO YOBI	AUTO ADJ	AUTO AFB	Cancel Test Mode	TEST PLAY	TEST REC
Pickup	-	①	②	③	④	⑤	⑥	⑦	⑧
Recording head	-	-	-	-	-	-	-	-	①
Mechanism	-	①	②	③	④	⑤	⑥	⑦	⑧
PCB parts	①	②	③	④	⑤	⑥	⑦	⑧	⑨
MD microprocessor	-	①	②	-	-	-	-	③	④
MD LSI	-	-	-	①	②	③	④	⑤	⑥
RF IC	①	②	③	④	⑤	⑥	⑦	⑧	⑨
EEPROM	①	②	③	④	⑤	⑥	⑦	⑧	⑨

note: figures order of steps." -" no need.

* Result of EEPROM

- OK_EEPROM Write the data of setting values and AUTO-pre adjustment perfectly.
- WR_EEPROM Write the data of setting values perfectly however not write AUTO pre-adjustment.
Carry out AUTO pre-adjustment and write data to EEPROM.
- NG_EEPROM Not write the data of setting values.
Check the connection of MD microprocessor and EEPROM.

** Carry out the TEST-PLAY , TEST-REC and C1 error in test mode after AUTO_ADJ and AUTO_AFB.

1-2 Test disc

	Type	Test disc
1	High reflection disc	TGYS1 (SONY)
2	Low reflection disc	Recording minidisc
3	—————	Head Adjusting transparent

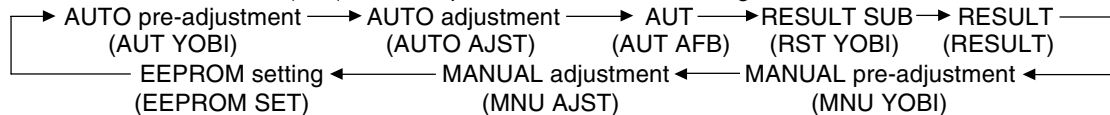
2. Test Mode

1. Holding down the MD rec button and turn the power on. (State ㉑)
2. To enter the test mode stop state(State ㉒), press the STOP button.
3. Load the playback disc 1(high reflection disc) or recording disc 2(low reflection disc).

- ㉑ MECHA TEST
↓ (Press STOP key)
- ㉒ tsm ○○○○e○○ ---- TEST MODE STOP STATE ○○ represents version of MD microcomputer
↓ (MD DISC LOAD IN)
- ㉓ LOADING
↓
- ㉔ AUTO AJST (When the STOP button is pressed in the ㉔ state, the indication ㉒ state is restored.
To restore ㉔ state again, press the SKIP DOWN key once.

Entering the specific mode

Whenever the SKIP DOWN(⏪) button is pressed, the mode is changed.



RD-DV5-S/DV7-L/DV5MD-S

CIRCUIT DESCRIPTION

• Canceling the test mode

When the POWER button is pressed, the test mode is canceled, and the POWER OFF state is set.

• Test Mode

1. AUTO pre-adjustment mode	<ul style="list-style-type: none"> Automatic pre-adjustment is performed. (After adjustment the grating adjustment mode is set.) The adjustment value is output with the aid of system controller interface.
2. AUTO adjustment mode	<ul style="list-style-type: none"> Automatic adjustment is performed. The adjustment value is output with the aid of system controller interface. Continuous playback is performed. (Error rate indication, jump test)
3. AFB adjustment	<ul style="list-style-type: none"> Focus Balance adjustment is performed auto matically.
4. RESULT sub-mode	<ul style="list-style-type: none"> The measurement value, set value and calculated value are indicated. The set value is changed manually (in servo OFF state).
5. RESULT mode (final adjustment)	<ul style="list-style-type: none"> The set value (after calculation) is indicated. The set value is changed manually (in servo OFF state).
6. MANUAL pre-adjustment mode	<ul style="list-style-type: none"> RF side manual adjustment is performed. Focus and tracking signal offset setting is performed.
7. MANUAL adjustment mode	<ul style="list-style-type: none"> Focus and tracking signal ATT manual adjustment is performed.
8. EEPROM setting mode	<ul style="list-style-type: none"> EEPROM setting
9. TEST-PLAY mode	<ul style="list-style-type: none"> Continuous playback from the specified address is performed. C1 error rate measurement.
10. TEST-REC mode	<ul style="list-style-type: none"> Continuous recording from the specified address is performed. Change of record laser output (servo gain is also changed according to laser output)
11. EJECT mode	<ul style="list-style-type: none"> TEMP setting (of EEPROM setting) Laser power adjustment

1. AUTO pre-adjustment mode (Low reflection disc only)

Step No.	Setting Method	Remarks	Display
Step 1	Test mode STOP state		[t s m○○○○ e ○○]
Step 2	Press once the SKIP DOWN(◀◀) button eight times.	AUTO pre-adjustment menu	[_ AUT_ YOBI _ _ _]
Step 3	Press once the MD PLAY button. End of adjustment	The slide moves to the innermost periphery, and automatic pre-adjustment is started. • During automatic adjustment *** changes as follows. HAo→RFg→SAg→SBg→PTG→PCH→GTG→GCH→RCG→SEG→RFG→SAG→HAO→HEO→TCO→LAO If adjustment is OK, Step 4. If adjustment is NG, Step 5.	[*** : _ _ _ _ _]
Step 4	Grating adjustment, adjustment value output Press once the MD STOP button.	STEP 2	[_ COMPLETE _]
Step 5	Adjustment value output Press once the MD STOP button.	STEP 2 AUTO pre-adjustment menu	[AUT YOBI]

• *** : Adjustment name, □□□□ : Address

2. AUTO adjustment mode

Step No.	Setting Method	Remarks	Display
Step 1	Test mode STOP state		[t s m○○○○ e ○○]
Step 2	Press the SKIP DOWN(◀◀) button one times.	AUTO adjustment menu	[A U T O _ A J S T _]
Step 3	Press once the MD PLAY button. End of adjustment	The slide moves to the innermost periphery, and automatic adjustment is started. • In case of high reflection disc *** changes as follows. PEG→HAG • In case of low reflection disc *** changes as follows. PEG→LAG→GCG→GEG→LAG If adjustment is OK, Step 4. If adjustment is NG, Step 7.	[*** : _ _ _ _ _] [COMPLETE]
Step 4	Adjustment value output Press the MD PLAY button. Press the MD STOP button.	STEP 5 STEP 2	
Step 5	Continuous playback (groove section)		[a□□□□c○○○○]
Step 6	Press the MD STOP button.	STEP 2 AUTO adjustment menu	
Step 7	Adjustment value output Press the MD STOP button.	STEP 2 AUTO adjustment menu	[C a n ' t _ A D J .]

10 • *** : Adjustment name, ○○ : Measurement value, □□□□ : Address

RD-DV5-S/DV7-L/DV5MD-S

CIRCUIT DESCRIPTION

3. AUTO FAB adjusting mode

Step No.	Setting Method	Remarks	Display
Step 1	Test mode STOP state		[tsm○○○○e○○]
Step 2	Press the SKIP DOWN(◀◀) button two times	AUTO FAB adjustment menu	[_AUT_AFB_]]
Step 3	Press the MD PLAY button 1 time	End of automatic adj. → step 4 High reflection disc → step 5	[AFB□□_△△△△]
Step 4	Press the MD STOP button	AUTO AFB adjustment menu, step 2	[●●_△△△△○○○]
Step 5		Message output for 1 sec. → AUTO AFB. Adjustment menu(high reflection disc)	[PB_DISC_ _ _]

- ○○○○: measurement value □□: AFB value in measurement, △△△△: C1 error value in measurement, ●●: AFB value
- If the STOP button is pressed twice while the AUTO AFB adjustment is displayed, the state is change to the TEST mode STOP state.

4. RESULT sub-mode

Step No.	Setting Method	Remarks	Display
Step 1	Test mode STOP state		[t s m○○○○ e ○○]
Step 2	Press the SKIP DOWN(◀◀) button three times.	RESULT sub-menu	[_ R S T _ Y O B I _]
Step 3	Press once the MD PLAY button.	Indication of measurement value	[P C H : _ _ _ _ ●●]
Step 4	Press once the SKIP DOWN(◀◀) button.	Indication of measurement value	[G C H : _ _ _ _ ●●]
Step 5	Press once the SKIP DOWN(◀◀) button.	Indication of measurement value	[S A G : _ _ _ _ ●●●]
Step 6	Press once the SKIP DOWN(◀◀) button.	Indication of measurement value	[S B G : _ _ _ _ ●●●]
Step 7	Press once the SKIP DOWN(◀◀) button.	Indication of measurement value	[S E G : _ _ _ _ ●●●]
Step 8	Press once the SKIP DOWN(◀◀) button.	Indication of measurement value	[S F G : _ _ _ _ ●●●]
Step 9	Press once the SKIP DOWN(◀◀) button.	Indication of measurement value	[H A O : ○○○ _ _ _]
Step 10	Press once the SKIP DOWN(◀◀) button.	Indication of measurement value	[H B O : ○○○ _ _ _]
Step 11	Press once the SKIP DOWN(◀◀) button.	Indication of measurement value	[H E O : ○○○ _ _ _]
Step 12	Press once the SKIP DOWN(◀◀) button.	Indication of measurement value	[H F O : ○○○ _ _ _]
Step 13	Press once the SKIP DOWN(◀◀) button.	Indication of measurement value	[T C O : _ ○○ _ _ _]
Step 14	Press once the SKIP DOWN(◀◀) button.	Indication of pre-adjustment not completed (00)/completed (4B)	[A D J : _ □□ _ _ _]
Step 15	Press once the MD STOP button.	RESULT sub-menu state	[_ R S T _ Y O B I _]

- ○○ : Measurement value, ●● : Adjustment value, □□ : Other various informations
- When the (▶▶)button in remote controller is pressed while the setting is displayed, the setting increases, and a new setting is stored in RAM.
- When the (◀◀)button in remote controller is pressed while the setting is displayed, the setting increases, and a new setting is stored in RAM.
- When the (▶▶) or (◀◀)button in remote controller is pressed continuously, steps is change by 100ms period.

5. RESULT mode (final adjustment)

Step No.	Setting Method	Remarks	Display
Step 1	Test mode STOP state		[t s m○○○○ e ○○]
Step 2	Press the SKIP DOWN(◀◀) button four times.	RESULT menu	[_ R S T U L T _ _ _]
Step 3	Press once the MD PLAY button.	Indication of set value	[H A G : _ _ _ _ ●●●]
Step 4	Press once the SKIP DOWN(◀◀) button.	Indication of set value	[H B G : _ _ _ _ ●●●]
Step 5	Press once the SKIP DOWN(◀◀) button.	Indication of set value	[L A G : _ _ _ _ ●●●]
Step 6	Press once the SKIP DOWN(◀◀) button.	Indication of set value	[L B G : _ _ _ _ ●●●]
Step 7	Press once the SKIP DOWN(◀◀) button.	Indication of set value	[P E G : _ _ _ _ ●●●]
Step 8	Press once the SKIP DOWN(◀◀) button.	Indication of set value	[P F G : _ _ _ _ ●●●]
Step 9	Press once the SKIP DOWN(◀◀) button.	Indication of set value	[G E G : _ _ _ _ ●●●]
Step 10	Press once the SKIP DOWN(◀◀) button.	Indication of set value	[G F G : _ _ _ _ ●●●]
Step 11	Press once the SKIP DOWN(◀◀) button.	Indication of set value	[G C G : _ _ _ _ ●●]
Step 12	Press once the MD STOP button.	RESULT menu state	[_ R E S U L T _ _ _]

RD-DV5-S/DV7-L/DV5MD-S

CIRCUIT DESCRIPTION

- : Measurement value
- When the (▶▶) button in remote controller is pressed while the setting is displayed, the setting increases, and a new setting is stored in RAM.
- When the (◀◀) button in remote controller is pressed while the setting is displayed, the setting decreases, and a new setting is stored in RAM.
- When the (▶▶) or (◀◀) button in remote controller is pressed continuously, steps is change by 100ms period.

6. MANUAL auxiliary adjustment mode (only low reflection disc)

Step No.	Setting Method	Remarks	Display
Step 1	Test mode STOP state		[t s m ○ ○ ○ ○ e ○ ○]
Step 2	Press SKIP DOWN (◀◀) button five times.	MANUAL auxiliary adjustment mode	[_ M N U _ Y O B I]
Step 3	Press once the MD PLAY button.	Initial setting → Temperature measuring mode	[T M P : _ Δ Δ _ _ _]
Step 4	Press SKIP DOWN (◀◀) button.	Offset "0" setting → A signal offset tentative measurement	[H A O : Δ Δ Δ * _ _]
Step 5	Press SKIP DOWN (◀◀) button.	B signal offset tentative measurement	[H B o : Δ Δ Δ * _ _]
Step 6	Press SKIP DOWN (◀◀) button.	E signal offset tentative measurement	[H E o : Δ Δ Δ * _ _]
Step 7	Press SKIP DOWN (◀◀) button.	F signal offset tentative measurement	[H F o : Δ Δ Δ * _ _]
Step 8	Press SKIP DOWN (◀◀) button.	Laser ON	[L O N : _ _ _ _ _]
Step 9	Press SKIP DOWN (◀◀) button.	ABMAXO measurement	[A B M : Δ Δ Δ * _ _]
Step 10	Press SKIP DOWN (◀◀) button.	Focus ATT (A signal) tentative setting	[S A g : Δ Δ Δ ○ ○ ○]
Step 11	Press SKIP DOWN (◀◀) button.	Focus ATT (B signal) tentative setting	[S B g : Δ Δ Δ ○ ○ ○]
Step 12	Press SKIP DOWN (◀◀) button.	Pit section LPFEFO measurement	[P E F : Δ Δ Δ * _ _]
Step 13	Press SKIP DOWN (◀◀) button.	Pit section COUT measurement	[P C H : Δ Δ Δ _ ○ ○]
Step 14	Press SKIP DOWN (◀◀) button.	Groove section LPFEFO measurement	[G E F : Δ Δ Δ * _ _]
Step 15	Press SKIP DOWN (◀◀) button.	Groove section COUT level measurement	[G C H : Δ Δ Δ _ ○ ○]
Step 16	Press SKIP DOWN (◀◀) button.	TCRMIO measurement	[T C R : Δ Δ Δ * _ _]
Step 17	Press SKIP DOWN (◀◀) button.	Tracking ATT (E signal) setting	[S E G : Δ Δ Δ ○ ○ ○]
Step 18	Press SKIP DOWN (◀◀) button.	Tracking ATT (F signal) setting	[S F G : Δ Δ Δ ○ ○ ○]
Step 19	Press SKIP DOWN (◀◀) button.	Indication of tracking EFMIO measurement	[g M I : Δ Δ Δ _ _ _]
Step 20	Press SKIP DOWN (◀◀) button.	LPFABO measurement	[A B L : Δ Δ Δ * _ _]
Step 21	Press SKIP DOWN (◀◀) button.	Focus ATT (A signal) setting	[S A G : Δ Δ Δ ○ ○ ○]
Step 22	Press SKIP DOWN (◀◀) button.	Focus ATT (B signal) setting	[S A B : Δ Δ Δ ○ ○ ○]
Step 23	Press SKIP DOWN (◀◀) button.	TCRS signal offset measurement	[T C O : Δ Δ Δ * _ _]
Step 24	Press once the MD STOP button.	MNU YOBI state	[_ M N U _ Y O B I]

- △△△ : Measurement value, ● : Set value ○○○ : Account value
 - When the (▶▶) or (◀◀) button in remote controller is pressed while the setting is displayed, the setting increases or decreases, and a new setting is stored in ROM.
 - When the (▶▶) or (◀◀) button in remote controller is pressed continuously, steps is change by 100ms period.
If the measurement value is within the OK range, "*" appears on the 8th character.
- OK range HAO, HB0, HEO, HFO : 0 0 0 h±2 0 0 h
 ABM : 1E2h ~ 9C7h PEF : 20Dh ~ 785h
 GEF : 20Dh ~ 785h TCR : 030h ~ 239h
 ABL : 1E2h ~ 9C7h TCO : 00h±20h

7. MANUAL adjustment mode High reflection disc

Step No.	Setting Method	Remarks	Display
Step 1	Test mode STOP state		[t s m ○ ○ ○ ○ e ○ ○]
Step 2	Press the SKIP DOWN (◀◀) button six times.	MANUAL adjustment menu	[_ M N U _ A J S T _]
Step 3	Press once the MD PLAY button.	Initial setting → Temperature measuring mode	[T M P : _ Δ Δ _ _ _]
Step 4	Press once the SKIP DOWN (◀◀) button.	Laser ON	[L O N : _ _ _ _ _]
Step 5	Press once the SKIP DOWN (◀◀) button.	Innermost periphery move → Tracking ATT (E signal) setting	[P E G : Δ Δ Δ ○ ○ ○]
Step 6	Press once the SKIP DOWN (◀◀) button.	Tracking ATT (F signal) setting	[P F G : Δ Δ Δ ○ ○ ○]
Step 7	Press once the SKIP DOWN (◀◀) button.	Indication of tracking EFMIO measurement	[P M I : Δ Δ Δ _ _ _]
Step 8	Press once the SKIP DOWN (◀◀) button.	Focus ATT (A signal) setting	[H A G : Δ Δ Δ ○ ○ ○]
Step 9	Press once the SKIP DOWN (◀◀) button.	Focus ATT (B signal) setting	[H B G : Δ Δ Δ ○ ○ ○]

- If the MD STOP button is pressed twice while the MANUAL adjustment menu is displayed, the state is changed to the TEST mode STOP state.

RD-DV5-S/DV7-L/DV5MD-S

CIRCUIT DESCRIPTION

Low reflection disc

Step No.	Setting Method	Remarks	Display
Step 1	Test mode STOP state		[t s m○○○○○ e ○○]
Step 2	Press the SKIP DOWN(◀◀) button six times.	MANUAL adjustment menu	[_ M N U _ A J S T _]
Step 3	Press once the MD PLAY button.	Initial setting → Temperature measuring mode	[T M P : _ ΔΔ _ _ _]
Step 4	Press once the SKIP DOWN(◀◀) button.	Laser ON	[L O N : _ _ _ _ _]
Step 5	Press once the SKIP DOWN(◀◀) button.	Innermost periphery move → Tracking ATT (E signal) setting	[P E G : ΔΔΔ○○○]
Step 6	Press once the SKIP DOWN(◀◀) button.	Tracking ATT (F signal) setting	[P F G : ΔΔΔ○○○]
Step 7	Press once the SKIP DOWN(◀◀) button.	Indication of tracking EFMIO measurement (pit section)	[P M I : ΔΔΔ _ _ _]
Step 8	Press once the SKIP DOWN(◀◀) button.	Focus ATT (A signal) setting	[L A g : ΔΔΔ○○○]
Step 9	Press once the SKIP DOWN(◀◀) button.	Focus ATT (B signal) setting	[L B g : ΔΔΔ○○○]
Step 10	Press once the SKIP DOWN(◀◀) button.	Outside periphery move → Track cross setting	[G C G : ΔΔΔ○○○]
Step 11	Press once the SKIP DOWN(◀◀) button.	Tracking ATT (E signal) setting	[G E G : ΔΔΔ○○○]
Step 12	Press once the SKIP DOWN(◀◀) button.	Tracking ATT (F signal) setting	[G F G : ΔΔΔ○○○]
Step 13	Press once the SKIP DOWN(◀◀) button.	Indication of tracking EFMIO measurement (groove section)	[G M I : ΔΔΔ _ _ _]
Step 14	Press once the SKIP DOWN(◀◀) button.	Focus ATT (A signal) setting	[L A G : ΔΔΔ○○○]
Step 15	Press once the SKIP DOWN(◀◀) button.	Focus ATT (B signal) setting	[L B G : ΔΔΔ○○○]

- If the MD STOP button is pressed twice while the MANUAL adjustment menu is displayed, the state is changed to the TEST mode STOP state.

8. TEST-PLAY mode

Step No.	Setting Method	Remarks	Display
Step 1	Test mode STOP state		[t s m○○○○○ e ○○]
Step 2	Press once the SKIP UP(▶▶)button. Press MD PLAY button.		[T E S T _ P L A Y _] ↓ [a □□□□ c ○○○○]
Step 3	Press the STOP button.		[T E S T _ P L A Y _]
Step 4	Press once the MD PLAY button. Continuous playback (groove section)	During search the search output is set to "H", and it is returned to "L" when continuous playback is started. (Address + C1 error indication)	
Step 5	Press once the MD STOP button.	TEST-PLAY menu	[T E S T _ P L A Y _]

- If the MD STOP button is pressed while the TEST-PLAY menu is displayed, TEST mode STOP state is set.
- If the MD PLAY button is pressed while the TEST-PLAY menu is displayed, continuous playback is started from the current pickup position.
- □□□□ : Address, ○○○○ : Error late

9. TEST-REC mode

Step No.	Setting Method	Remarks	Display
Step 1	Test mode STOP state		[t s m○○○○○ e ○○]
Step 2	Press the SKIP UP(▶▶)button twice. Press MD PLAY button.		[T E S T _ R E C _ _] ↓ [a □□□□ p w ▽▽]
Step 3	Press the STOP button.		[T E S T _ R E C _ _]
Step 4	Press once the MD PLAY button. Continuous playback (groove section)	During search the search output is set to "H", and it is returned on "L" when continuous playback is started. (Address+ C1 error indication)	[a □□□□ p w ▽▽]
Step 5	Press once the MD STOP button.	TEST-REC menu	[T E S T _ R E C _ _]

- If the MD STOP button is pressed while the TEST-PLAY menu is displayed, TEST mode STOP state is set.
- If the MD PLAY button is pressed while the TEST-REC menu is displayed, continuous record is started from the current pickup position.
- If the (▶▶) or (◀◀) button in remote controller is pressed in TEST-REC mode and continuous record mode, the laser record power changes.
(Servo gain changes also according to the record power.)
- □□□□ : Address, ▽▽ : Laser power cord

10. EJECT mode

Step No.	Setting Method	Remarks	Display
Step 1	Test mode STOP state		
Step 2	Test mode EJECT state	Eject of MD disc	[_ _ E J E C T _ _ _]
Step 3	Press SKIP UP(▶▶) button.	Temperature standard value setting.	[T E M P ○○ ●●]
Step 4	Press STOP button.		[_ _ E J E C T _ _ _]

- ○○ : Measurement value, ●● : Setting value.

RD-DV5-S/DV7-L/DV5MD-S

CIRCUIT DESCRIPTION

5. Port Description of Microcomputer (X29, IC15)

Port No.	Port Name	I/O	Function	Active	
				H	L
1	FL DATA	O	Data output to FL driver.		
2	FL CLK	O	Clock output to FL driver.		
3	FAN CONT	O	Fan control port.		
4	DVD MUTE4	O	Mute control port for DVD.		
5	ROM DATA	-	Unused.		
6	ROM CLK	-	Unused.		
7	NC	-	Unused.		
8	BYTE	-	Connected to ground.		
9	CNVSS	-	Connected to ground.		
10	XCIN	I	Clock input (32.768kHz).		
11	XCOUT	O	Clock output (32.768kHz).		
12	RESET	I	Reset signal input.		
13	XOUT	O	Main clock output (10MHz).		
14	VSS	-	Connected to ground.		
15	XIN	I	Main clock input (10MHz).		
16	VCC	-	Supply voltage (+5V)		
17	NMI	-	Connected to VCC.		
18	u-COM CE	I	Detection port for power failure		
19	REMOCON	I	Remote control signal input.		
20	RDS CLK	I	RDS clock signal input. (E/T type only)		
21	FL STB	O	Strobe signal output to FL driver.		
22	DVD NRST	I	Reset signal input of DAC for DVD. (Unused)		
23	DVD POWER	O	DVD power on port.		
24	DVD A	O	On/off port of high voltage for DVD tray motor.		
25	DVD TRAY/TRV	O	Control port that sense of rotation for DVD motor driver.		
26	DVD B	O	On/off port of low voltage for DVD tray motor.		
27	DVD OPEN SW	I	Input port of tray switch for DVD.		
28	DVD CLK	I	Clock signal input for DVD communication.		
29	DVD SIN	I	Data input for DVD communication.		
30	DVD SO0	O	Data output for DVD communication.		
31~34	NC	-	Unused.		
35	KDATA	O	Data output for MD communication.		
36	MD DATA	I	Data input for MD communication.		
37	MD DSCK	O	Clock output for MD communication.		
38	MD DSTR	O	Strobe output for MD communication.		
39	MD SEARCH	O	MD search output.		
40	MD RST	O	Reset signal output to MD mecha. Microprocessor.		
41	NC	-	Unused.		
42	MD ST	O	Strobe signal output to MD mecha. Microprocessor.		
43	NC	-	Unused.		
44	HP IN	I	Detection port of headphones jack.		
45	ENPH CONT	-	Unused.		
46	NC	-	Unused.		
47	RDS DT	O	RDS synchronized data output. (E/T type only)		
48	CS-SP	O	Relay control port of center and sub woofer speakers. (RD-DV7 only)	4ch SP. On	4ch SP. Off
49	F-SP	O	Relay control port of front speaker.	Front SP. On	Front SP. Off
50	AMUTE	O	Audio mute control port.	Mute off	Mute on
51	MD MUTE	O	MD search mute.	MD search	Others
52	AMP SW	O	Control port of A class amplifier.		
53	POWER	O	Control port of power relay.	Power on	Power off
54	S VIDEO SW2	O	Change-over the video switch 2.		

RD-DV5-S/DV7-L/DV5MD-S

CIRCUIT DESCRIPTION

Port No.	Port Name	I/O	Function	Active	
				H	L
55	S VIDEO SW1	O	Change-over the video switch 1.		
56	ST	I	Detection port of stereo signal for tuner.	mono	stereo
57	SD	I	Detection port of SD signal for tuner.		
58	PLL DO	I	IF count input of PLL IC for tuner.		
59	PLL CE	O	CE output of PLL IC for tuner.		
60	PLL CLK	O	Clock output of PLL IC for tuner.		
61	PLL DATA	O	Data output of PLL IC for tuner.		
62	VCC	-	Supply voltage (+5V)		
63	TU PROT(9V)	-	Protection signal input for tuner.		
64	GND	-	Ground port.		
65	V MUTE	O	Video mute control port.		
66	TU DC OFF	O	Port of supply voltage for tuner.		
67~69	SEL SW(0~2)	O	Control port of TC9215AF (X29, IC3). (RD-DV7 only)		
70	DIG SEL1	O	Digital selector 1 output.		
71	CVOL CLK	O	Clock output to TDA7309 (X29, IC4). (RD-DV7 only)		
72	CVOL DATA	O	Data output to TDA7309 (X29, IC4). (RD-DV7 only)		
73	PROTECT	I	Protection signal input.		
74	INI SW4	I	Discrimination port of MD.	without MD	with MD
75	INI SW3	I	Discrimination port of 4ch /2ch for amplifier.	4ch mode	2ch mode
76~78	INI SW2~INI SW0	I	Discrimination port of tuner destination.		
79	DIN ON/OFF SW	O	Control port of digital input on/off.	analog input	digital input
80	DOUT ON/OFF SW	O	Control port of digital output.	No digital output	digital output
81	DIG SEL2	O	Change-over the digital input selector for MD.		
82	PVOL STB	O	Strobe signal output to M62492 (X29, IC1).		
83	PVOL CLK	O	Clock output to M62492 (X29, IC1).		
84	PVOL DATA	O	Data output to M62492 (X29, IC1).		
85	STANDBY LED	O	Control port of standby led (red).	power off	power on
86	TIMER LED	O	Control port of timer led (green).	Timer standby	Others
87	ENCODER CW	I	Encoder (Vol/Multi Cont.) signal input for CW.		
88	ENCODER CCW	I	Encoder (Vol/Multi Cont.) signal input for CCW.		
89	TH PROT2	I	Detection port for temperature.		
90	PROT(3.3V)	I	Detection port of protection for current.		
91	TU SLEVEL	I	Signal level input for tuner.		
92	TH PROT2	I	Detection port of protection for temperature.		
93	SP LEVEL	I	Signal level input for audio.		
94,95	KEY0,KEY1	I	A/D key signal input.		
96	GND	-	Ground port.		
97	DVD IN SW	I	Close switch input of tray for DVD mecha.		
98	VREF	-	Port for the A/D, D/A reference voltage (+5.0V).		
99	AVCC	-	Port for the A/D, D/A supply voltage (+5.0V).		
100	FL RES	O	Reset signal output to FL driver.		

RD-DV5-S/DV7-L/DV5MD-S

CIRCUIT DESCRIPTION

6. Port Function of DVD Microcomputer : MN102L62GGB (X35, IC201)

Port No.	Port Name	I/O	Function	Active	
				H	L
1	WAIT	I	Bus wait port.		
2	NRD(ODC/AVDEC/SRAM)	O	Bus read port.		
3	NWEL	O	Unused.		
4	NWEH (ODC/AVDEC/SRAM/ROM)	O	Bus read port.		
5	RAMCS(SRAM)	O	SRAM chip select.		
6	ODCCS	O	ODC chip select.		
7	AVCS(AVDEC)	O	AV decoder chip select.		
8	ROMCS(ROM)	O	Flash ROM chip select.		
9	SCLOCK(VDAC)	O	Clock output to VDAC (X35, IC600).		
10	SDATA(VDAC)	O	Data output to VDAC (X35, IC600)		
11	FRD(ROM)	O	Flash ROM read port.		
12	WORD	-	Connected to VDD (+3.3V).		
13~16	CPUADR0~3	O	Bus address (0~3).		
17	VDD	-	Supply voltage (+3.3V).		
18	SYSCLK(AVDEC)	O	Clock output to AV decoder (X35, IC300).		
19	VSS	-	Connected to GND.		
20	XI	I	Connected to GND.		
21	XO	O	Unused.		
22	VDD	-	Supply voltage (+3.3V).		
23	OSCI(CLK135)	I	System clock input (13.5MHz).		
24	OSCO	O	Unused.		
25	MODE	I	Processor mode selection.	Expan Mode	
26~33	CPUADR4~11	O	Bus address (4~11).		
34	AVDD	-	Supply voltage (+3.3V).		
35~42	CPUADR12~19	O	Bus address (12~19).		
43	VSS	-	Connected to GND.		
44	CPUADR20	O	Bus address (20).		
45	25BSY	O	Busy data output.	Normal	Busy
46	STBPSL	O	Unused.		
47	HFMON	O	HF monitor output.		
48	KMODE	O	Selection for writing the ROM.	Writing	Normal
49	AMUTE	O	Audio mute control.		
50	CIRCEN(ENC)	O	Enable to Digital Servo Controller (X35, IC1).		
51	PROGSW	I	Change-over the component terminal.		
52	STBTI	O	Strobe output to MP3 decoder (X35, IC900).		
53	FRSW	O	Flash ROM 1, 2 (X35, IC207, 215) change-over.	Default	
54	VDD	-	Supply voltage (+3.3V).		
55	FEPEN	O	Enable to FEP (traverse).		
56	CLKSEL	O	Clock selection.		
57	STBDAC2	O	Strobe output to ADAC (X25, IC205).		
58	STBSP1	O	Strobe output to serial-parallel converter (X25, IC224).		
59	STBDAC1	O	Strobe output to ADAC (X25, IC204).		
60	ADSCEN(ENS)	O	Enable to Digital Servo Controller (X35, IC1).		
61	VSS	-	Connected to GND.		
62	WMINT	I	Interruption port from Water Mark Detector (X35, IC500).		
63	E2CS	O	Chip select to EEPROM (X33, IC206).		
64	SCSIBN	O	Enable control to jig for writing the ROM.		
65	196BSY	I	Busy data input.	Normal	Busy
66	VDD	-	Supply voltage (+3.3V).		
67	SCLK0	O	SIO0 clock output to communicate between main microcomputer and DVD system microcomputer.		

RD-DV5-S/DV7-L/DV5MD-S

CIRCUIT DESCRIPTION

Port No.	Port Name	I/O	Function	Active	
				H	L
68	SI0	I	SIO0 data input to communicate between main microcomputer and DVD system microcomputer.		
69	SO0	O	SIO0 data output to communicate between main microcomputer and DVD system microcomputer.		
70	SCLK1	O	SIO1 clock output for control ICs.		
71	SI1	I	SIO1 data input for control ICs.		
72	SO1	O	SIO1 data output for control ICs.		
73	PULL UP0	I	Unused.		
74	PULL UP1	I	Unused.		
75	NMI	I	Unused.		
76	ADSCINT	I	Interruption port from Digital Servo Controller (X33, IC1).		
77	ODCINT	I	Interruption port from Optical Disc Controller (X33, IC101).		
78	AVINT	I	Interruption port from AV decoder (X33, IC301).		
79	ICRST	O	Reset signal output to periphery ICs.		
80	MP3INT	I	Interruption port from MP3 decoder (X33, IC900).		
81	ADSEP	I	Unused.		
82	RST	I	Reset signal input.		
83	VDD	-	Supply voltage (+3.3V).		
84~91	CPUDT0~7	I/O	Bus data (0~7) input and output.		
92	VSS	-	Connected to GND.		
93~100	CPUDT8~15	I/O	Bus data (8~15) input and output.		

RD-DV5-S/DV7-L/DV5MD-S

CIRCUIT DESCRIPTION

7. Port Function of AV decoder : MN677533MP (X35, IC301)

Port No.	Port Name	I/O	Function
1,9,32,46,53,73,104 116,142,156,160,166 172,179,184,191,197 205	VDD	-	Digital supply voltage (+3.3V).
2~4,6~8,10,201 203,204,206,207	MA0~MA11	O	SDRAM address 0~11
5,14,27,42,52,60,70 83,92,105,120,147 157,163,169,176,182 186,194,200,208	VSS	-	Digital ground.
11	CLK121	-	Connected to digital ground.
12,37,66,79,96,112 145,174,188,202	LVDD	-	Digital supply voltage (+2.5V) for internal logic.
13	XRST	I	System reset input. L : Reset
15	CLK81	-	Connected to digital ground.
16	PLLAVDD	-	Main PLL supply voltage (+3.3v).
17	TCPOUT	O	Unused.
18	PLLAVSS	-	Connected to digital ground.
19	CLK27	I	System clock input (27MHz).
20	PLLTEST	I	Test input port for main PLL. L : Fixed
21	CKIO	I	Decode clock change-over.
22	PLLVDD	-	Supply voltage (+2.5V) of internal logic for main PLL..
23,24	HMD1,HMD0	-	Connected to digital supply voltage (+3.3V).
25	XHINT	O	Interruption to DVD microcomputer. L : Active
26	XDK	O	Acknowledgment to DVD microcomputer. L : Active
28	XWR	I	Write enable from DVD microcomputer.
29	XRD	I	Read enable from DVD microcomputer.
30	XCS	I	Chip select from DVD microcomputer.
31	HCLK	I	Clock input from DVD microcomputer.
33~36,38~41 43~45	HA1~HA11	I	Address input from DVD microcomputer.
47~51,54~59 61~65	HD0~HD15	I/O	DVD microcomputer data bus 0~15.
67	AUDSTR	I	Valid signal of bit stream input data.
68	ARQ	O	Unused.
69	VSTR	I	Clock signal input for bit stream.
71	VRQ	O	Request of program stream.
72	AVRTM	I	Signal input of punctuation for sector.
74~78,80~82	STD0~STD7	I	Bit stream parallel input 0~7.
84	EXTCK	I	Audio clock input. fs= 48kHz: 768fs= 36.864MHz output fs= 96kHz: 384fs= 36.864MHz output fs= 192kHz: 192fs= 36.864MHz output fs= 44.1kHz: 768fs= 33.8688MHz output fs= 88.2kHz: 384fs= 33.8688MHz output fs= 176.4kHz: 192fs= 33.8688MHz output
85	APLLVDD	-	Supply voltage (+2.5V) of internal logic for Audio PLL..
86	P5481	-	Audio PLL ground.
87	PHCOPMO	O	Audio PLL phase comparison output.
88	APLLAVSS	-	Audio PLL ground.
89	NC	-	Unused.
90	APLLAVDD	-	Supply voltage (+3.3V) for Audio PLL..
91	ACKIO	-	Connected to digital ground.
92	VSS	-	Digital ground.
93	DCTEST	-	Connected to digital ground.

RD-DV5-S/DV7-L/DV5MD-S

CIRCUIT DESCRIPTION

Port No.	Port Name	I/O	Function
94,95	TESTSEL1,0	-	Connected to digital ground.
97~102,106,108 109	TEST4~TEST9 TEST3,1,0	O	Unused.
103	CLKMON	O	Unused.
107	RFF	O	Unused.
110	IECOUT	O	IEC958 format data output.
111	DMIX	O	Audio down mix signal output.
113	DACCK	O	Over sampling DAC clock output. fs= 48kHz: 384fs= 18.432MHz output fs= 96kHz: 384fs= 36.864MHz output fs= 192kHz: 192fs= 36.864MHz output fs= 44.1kHz: 384fs= 16.9344MHz output fs= 88.2kHz: 384fs= 33.8688MHz output fs= 176.4kHz: 192fs= 33.8688MHz output
114	LRCK	O	LR clock output.
115	SRCK	O	Bit clock output.
117~119	ADOUT(0~2)	O	Audio data output (0~2).
121	XPOWD	I	DAC power down control input.
122	VREFC	I	DAC reference voltage input for C signal.
123	IREFC	I	DAC bias current setting port for C signal.
124	COMPC	I	Capacitance connection for DAC (C signal) stabilization.
125	VCOUT	O	Unused.
126,136	AVDD	-	Analog supply voltage (+3.3V) for DAC.
127	VREFCB	I	DAC reference voltage input for CB signal.
128	IREFCB	I	DAC bias current setting port for CB signal.
129	COMPCB	I	Capacitance connection for DAC (CB signal) stabilization.
130	VCBOUT	O	Unused.
131,141	AVSS	-	Analog ground for DAC.
132	VREFCR	I	DAC reference voltage input for CR signal.
133	IREFCR	I	DAC bias current setting port for CR signal.
134	COMPCR	I	Capacitance connection for DAC (CR signal) stabilization.
135	VCROUT	O	Unused.
137	VREFY	I	DAC reference voltage input for Y signal.
138	IREFY	I	DAC bias current setting port for Y signal.
139	COMPY	I	Capacitance connection for DAC (Y signal) stabilization.
140	VYOUT	O	Unused.
143	XYSYNCO	I/O	Vertical synchronizing signal input/output.
144	XHSYNCO	I/O	Horizontal synchronizing signal input/output.
146	VCLK	O	Clock output for digital video data output.
148~155	VD0~VD7	O	Digital video data output (0~7).
158,159,161,162,164 165,167,168,170,171 173,175,177,178,180 181	MDQ0~MDQ15	I/O	SDRAM data bus (0~15).
183	MCKI	I	Clock input from SDRAM.
185	MCK	O	Clock output to SDRAM.
187	DQMLE	O	Lower bite data, mask signal of expander SDRAM.
189	DQMLM	O	Lower bite data, mask signal of main SDRAM.
190	DQMUE	O	Upper bite data, mask signal of expander SDRAM.
192	DQMUM	O	Upper bite data, mask signal of main SDRAM.
193	XWE	O	Write enable signal of SDRAM.
195	XCAS	O	CAS signal of SDRAM.
196	XRAS	O	RAS signal of SDRAM.
198	XCSE	O	Chip select signal of expander SDARM.
199	XCSM	O	Chip select signal of main SDARM.

* MN677521HB X35-229, IC300 DV-5900M/DVF-R9050

* MN677533MP X35-230, IC301 DV-5050M/DVF-J6050, RMD-SJ5, RD-DV5/7

RD-DV5-S/DV7-L/DV5MD-S

CIRCUIT DESCRIPTION

8. IC Port Function

8-1 4ch/2ch/HP Control Port

Port Function List

u-com Port	Port No.	67	68	69
	Name SW0	SEL. SW1	SEL. SW2	SEL.
TC9215 Port Name	HP/4ch		2ch	2ch
P.S.A. OFF (2ch)		L	H	H
P.S.A. ON (4ch)		H	L	L
HP		L	L	L

8-2 S Video Control Port

Port Function List

u-com Port	Port No.	55	54
	Name	S VIDEO SW1	S VIDEO SW2
Video Signal		L	L
Letter Box		L	H
16 : 9		H	H

8-3 System IC : M62492FP (X29, IC1)

Port Function List

Port No.	Port Name	Function
1	TU L	TUNER Lch input
2	DVD L	DVD Lch input
3	MD/AUX2 L	MD Lch input
4	AUX1 L	AUX Lch input
5	A OUT L	AUX Lch REC output
26	REC OUT	MD analog Lch REC output
29	VOUT	Front Vol. Lch output
36	VOUT	Front Vol. Rch output
39	REC OUT	MD analog Rch REC output
60	A OUT R	AUX Lch REC output
61	AUX1 R	AUX Rch input
62	MD/AUX2 R	MD Rch input
63	DVD R	DVD Rch input
64	TU R	TUNER Rch input

8-4 Paround Processor Module : PSS3200 (X29, A3)

Port Function List

Port No.	Port Name	I/O	Function
1	VEE	I	Supply voltage (-8.0V)
2	GND	O	GND
3	VCC	I	Supply voltage (+8.0V)
4	SB00	I	Ope amp (-) input of 1st LPF and gain setting for sub woofer
5	SB01	O	Ope amp (+) input of 1st LPF and gain setting for sub woofer
6	SB02	I	Ope amp (+) input of 2nd LPF for sub woofer
7	SB03	O	Ope amp output of 2nd LPF for sub woofer
8	SB04	I	Ope amp (+) input of 2nd HPF for sub woofer
9	SB05	O	Ope amp output of 2nd HPF for sub woofer
10	PHSEL	-	GND
11	SBOUT	O	Sub woofer output
12	CPC	-	Center channel phase correction
13	CENT.OUT	O	Center channel output
14	ROUT	O	Rch output
15	CX	-	Capacitance connection for enhance band setting
16	LOUT	O	Lch output
17	RX	-	Resistance connection for enhance level setting
18	TEST	-	Unused
19	REQ	-	Rch gain balance adjusting port
20	LEQ	-	Lch gain balance adjusting port
21	RG	-	Unused
22	RIN	I	Rch input
23	LG	-	Unused
24	LIN	I	Lch input

CIRCUIT DESCRIPTION

8-5 Digital Controlled Stereo Audio Processor :
TDA7309 (X29, IC4)

Port Function List

Port No.	Port Name	I/O	Function
1	RECOUTL	O	Unused
2	SW OUT	O	Sub woofer output
3	CSM	-	Soft mute port
4	SDA	I	Data input
5	SCL	I	Clock input
6	DGND	-	GND
7	GND	-	GND
8	ADD	-	GND
9	COUT	O	Center speaker output
10	RECOUTR	O	Unused
11	NC	I	Unused
12	LOUDR	-	Unused
13	NC	I	Unused
14	CIN	I	Center speaker input
15	CREF	I	Reference voltage
16	VS	-	Supply voltage
17	SW IN1	I	Sub woofer 1 output
18	SW IN2	I	Sub woofer 2 output
19	NC	-	Unused
20	NC	-	Unused

• POWER

Display	TOC recording power	Actual power output	
		Value	Voltage
00H	2.50 mW	6E H	1.354 V
01H	2.60 mW	74 H	1.427 V
02H	2.70 mW	7B H	1.513 V
03H	2.85 mW	83 H	1.612 V
04H	3.00 mW	8A H	1.698 V
05H	3.15 mW	93 H	1.809 V
06H	3.30 mW	93 H	1.809 V
07H	3.45 mW	9C H	1.920 V
08H	3.60 mW	A6 H	2.043 V
09H	3.75 mW	AE H	2.141 V
0AH	3.95 mW	B9 H	2.289 V
0BH	4.15 mW	B9 H	2.289 V
0CH	4.35 mW	C4 H	2.412 V
0DH	4.55 mW	CF H	2.547 V
0EH	4.75 mW	DB H	2.695 V
0FH	5.00 mW	DB H	2.695 V

9. MD mechanism error message

DISPLAY	DESCRIPTION
BLANK DISC	Non Recorded disc
CAN'T COPY	Inhibit to record by SCMS
CAN'T EDIT	Inhibit to edit by MD standard
CAN'T REC	Inhibit to record by disc damage(10 or more defects/recordable cluster is 0)
DISC ERROR**	OR : UTOC read error or FTNO>LTNO (edit/record) permit ALL ERASE only DO : Start address TNO>endless TNO (playback) handle poor TNO as 1SG (edit/record) permit ALL ERASE only C0 : Write poor data in UTOC0 C1 : Write poor data in UTOC1 C2 : Write poor data in UTOC2 C4 : Write poor data in UTOC4 (play back) playback even if address roof(C0) (edit/record) permit ALL ERASE only
DISC FULL	No recordable area
MECH ERR**	10-13 : head poor down 20-23 : head poor up
no disc	No disc in the unit
NO TRACKS	Disc recorded title only
NOT AUDIO	Disc recorded audio signal.
PLAY ONLY	Record to music disc
PROTECTED	Record disc inhibited to record
READING	In mode of reading TOC or UTOC
SRCH ERR**	30 : Search time over in playback, FF or FB 31 : Search time over in REC-PAUSE 32 : Search time over in record
TEMP OVER	High temperature
TITLE FULL	Input over letter of title
UNIT ERROR	Hardware damage
UTOC W ERR	Error of writing to UTOC
WRITING	In writing to UTOC

CIRCUIT DESCRIPTION

ERROR CODE OF CIRCUIT BY SELF CHECK MODE (TEST MODE)

DEFINITION	CONTENTS	CODE	BLOCK	TIMING
<i>ODC(Optical Device Control)</i>				
MOD_NOT_CRCOK	No CRCOK signal	0x4303	(ADSC,ODC,disc ,pickup)	Read address error at lead in or focus jump.
MAS_ECC_ERR	Abnormal ODC	ODC ERROR	ODC	No emission OK on disc and host in 5 secs.
LAYER_CMP_ERR	Abnormal LAYER in seek mode	-	(ADSC,ODC,disc ,pickup)	
OUT_PB_AREA_NG	OUT of PB AREA	-		
DATA_TR_PLAY_NG	DATA Track Play	-		
SEEK_NG_CHGNV	No data caused seek error	-		
UNCORRECT_ERR	No control data by demodulator error	-		
INVALID_CMD_ERR	Out of sector ID	0xD601	ODC,disc	Over data from disc(DVD : 0xFF)(VCD : 00:02:00 less)(CD : 0xFF)
UNCORRECT_LEADIN	No lead-in data by demodulator error	0xD602		Time over in lead-in.
UNCORRECT_KEYDET	No lead-in data by demodulator error	0xD603		

DEFINITION	CONTENTS	CODE	BLOCK	TIMING
<i>SERVO</i>				
TRAY_LOADING_ERR	Tray Loading Error.	0x4000	ADSC, TRAY Mechanism, Motor LSI	DCM_TRAYCTL_T(time out 5secs)
FOCUS_SVERR	Focus Servo Error.	0x4100	ADSC, pickup & actuator, Driver LSI	DCM_FCON_T(time out 5secs), Lock NG, NG of seek.
SPINDLE_SVERR	Spindle Servo Error.	0x4101	ADSC, Driver LSI, disc Motor	DCM_DMON_T(time out 10 secs),Time out of checking stop,Time out of start to turn.
DSC_DM_ERR	DSC Disc Motor Error. Abnormal FG-period in DVD, Abnormal turn of disc motor,	0x4102	ADSC, Driver LSI, disc Motor	DCM_DMOF_T(time out 10secs), DCM_DMMODE_T(time out100ms) Abnormal turn of disc motor.,
CDC_CLV_ERR	6626 CLVS Failure. Abnormal FG-period in CD	0x4103	ADSC, Driver LSI, disc Motor	DCM_DMOF_T(time out 10secs) Setting abnormal CLV
TRAVERSE_ERR	Traverse Motor Error.	0x4104	ADSC, Driver LSI, feed Motor	DCM_INNER_T(time out 5secs)
TRACK_SVERR	Tracking Servo Error	0x4105	ADSC, pickup & actuator, Driver LSI	DCM_TRON_T(time out 1sec) Command error,Focus jump Lock NG (ReSartServo) NG of
SEEK_TIMEOUT_ERR	Seek Time Out Error	0x4106	ADSC, pickup & actuator, Driver LSI	Over 200 seek times
DSC_ERROR	DSC Error (status data error)	ADSC ERROR	ADSC	Command error
DSC_NOTREADY	DSC Not Ready Error	ADSC ERROR	ADSC	ADSC REDY time out
DSC_TIM_ERR	DSC TimeOut Error.	ADSC ERROR	ADSC	Over of CLV OK Over of command end
DSC_COM_ERR	DSC Communication Failure.	ADSC ERROR	ADSC	No use
DSC_ATN_ERR	DSC Attention Error.	ADSC ERROR	ADSC	Error of CD-trick play and CD/DVD seek. FC jump in DVD-play.
INVALID_MDTYP	Out of Media	0x4300	ADSC	No check of media, Error after servo retry. Abnormal disc.
DONOT_QREAD_ERR	6626 QCODE do not Read Error.	0x4302	ADSC	Read error in Cue or Rev play of CD
DSC_ESCAPE	DSC Command Escape	-	ADSC	Stop servo operation after setting the ESC flug in mode register of ADSC.
<i>FEP</i>				
FEP_IC_ERR	Adjustment error on data slice offset	FEP ERROR	ADSC ,FEP	jitter and data slice offset adjustment error

RD-DV5-S/DV7-L/DV5MD-S

CIRCUIT DESCRIPTION

DEFINITION	CONTENTS	CODE	BLOCK	TIMING
<i>DISC</i>				
DISERR_UDF	UDF Bridge NG	0x2100	Disc format	1. No CD-ROM Volume Descriptor Set, No Primary Volume Descriptor 2. No Beginning Extended Area Descriptor 3. No NSR Descriptor of "NSR02" 4. Length error of Main Volume Descriptor Sequence 5. Directry of length error on VIDEO_TS/AUDIO_TS after root
DISERR_TT_SRP_NO	TT_SRP=0	0x2111	Disc format	
ISERR_TT_SRP_OVER	Value >TT_SRP	0x2112	Disc code	
DISERR_TT_SRP_MISS	SRP is not meet with VTSN or VTS TTN	0x2113		
DISERR_TT_SRP_PTT_OVER	Value >TT_SRP.PTT_Ns	0x2114		
DISERR_TTU_SRP_NO	TTU_SRP=0	0x2120	Disc format	
DISERR_TTU_SRP_OVER	Value >TTU_SRP	0x2121	Disc code	
DISERR_PGCI_SRP_NO	PGCI_SRP=0	0x2131	Disc format	
DISERR_PGCI_SRP_OVER	Value>PGCI_SRP	0x2132	Disc code	
DISERR_TMAP_SRP_OVER	Value>TMAP_SRP	0x2141		
DISERR_TMAP_SA_NO	TMAP_SA=0	0x2142		
DISERR_TMAP_EN_NO	MAP_EN=0	0x2143	Disc format	
DISERR_PGC_PGMAP_NO	C_POSIT is OK, No PGMAP in PGC	0x2150		
DISERR_PGC_PG_NO	C POSIT is OK, PG=0 in PGC.	0x2151	Disc code	
DISERR_PGC_PG_OVER	Value >PG in PGC	0x2152		
DISERR_PGC_C_PBIT_NO	C_POSIT is OK, No C_PBIT in PGC	0x2153	Disc format	
DISERR_PGC_C_NO	C_POSITis OK, Cell=0 in PGC	0x2154		
DISERR_PGC_CN_NO	Cell=0	0x2155	Disc code	
DISERR_PGC_C_OVER	Value >Cell in PGC	0x2156		
DISERR_PGC_BLK_NO	Block Cell only	0x2157		
DISERR_SEARCH_CN_NO	No Cell# in search.	0x2160	Disc format	

ADJUSTMENT

No.	ITEM	INPUT SETTING	OUTPUT SETTING	ALIGNMENT POINT	ALIGNMENT FOR	FIG.
1	Y LEVEL	100% COLOR BAR DISC	Connect the oscilloscope to COMPOSITE(X29, J1) output with 75-ohms resistor	VR301	Y-signal = 1000mV ±30mV	FIG.1
2	CHROM LEVEL	100% COLOR BAR DISC PAL DISC (PAL MODE)	Connect the oscilloscope to COMPOSITE output(X29, J1) with 75- ohms resistor	VR304	Chrom-signal = 286mV ±14mV	FIG.2

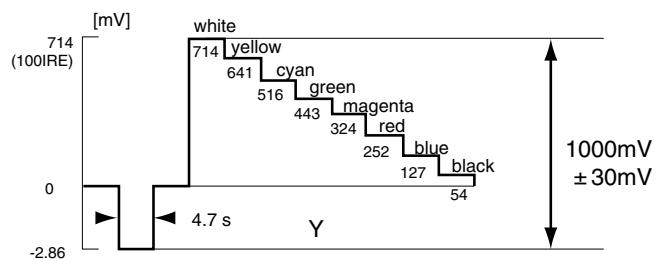


Fig. 1

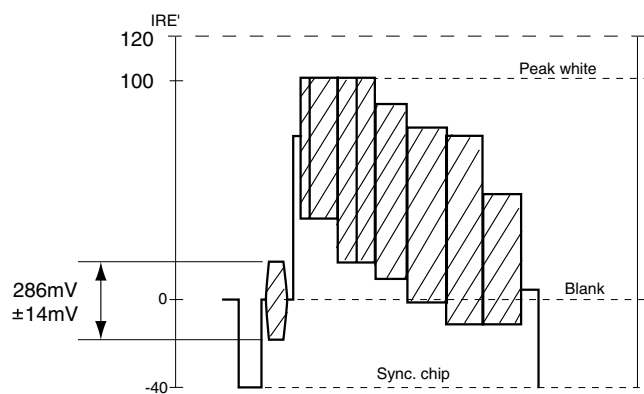
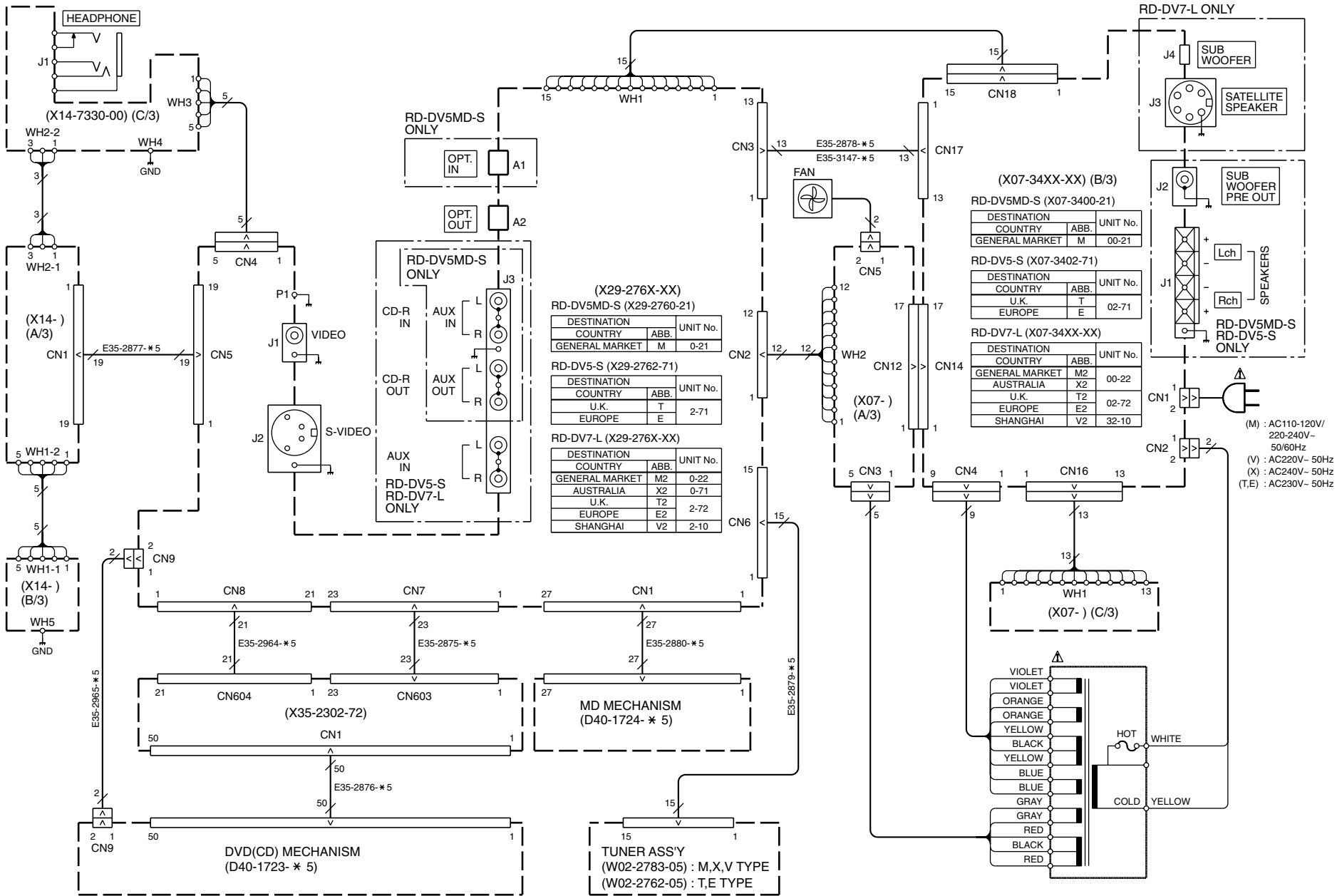


Fig. 2

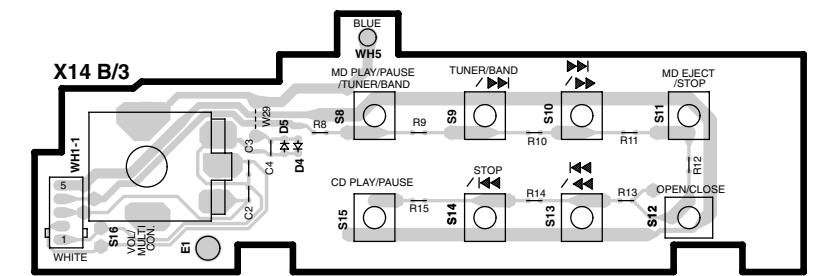
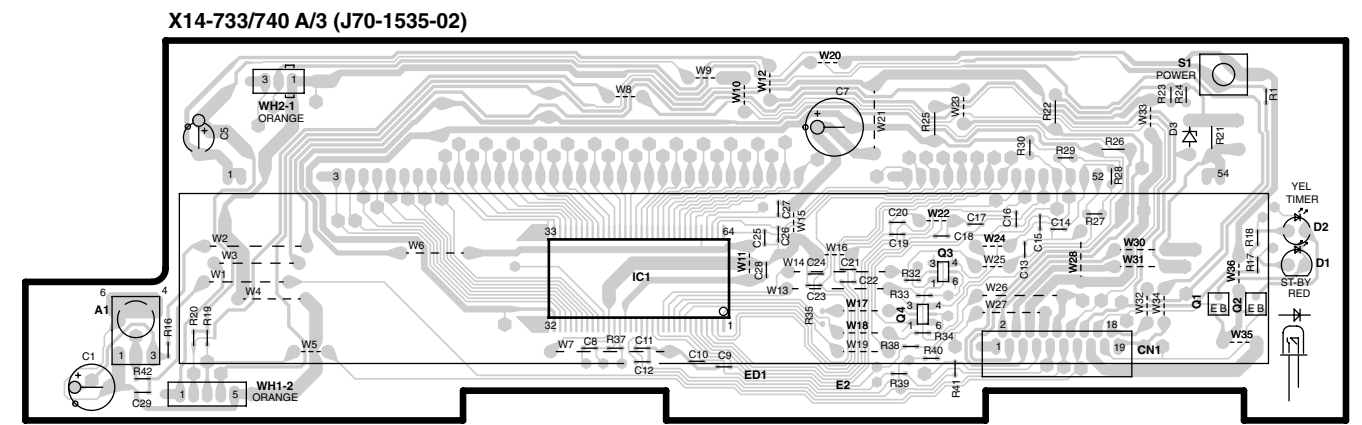
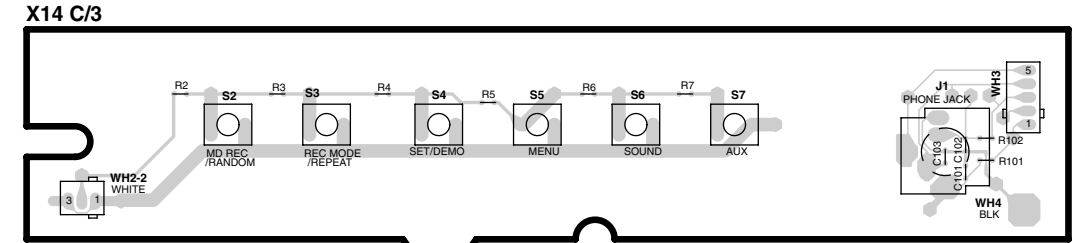
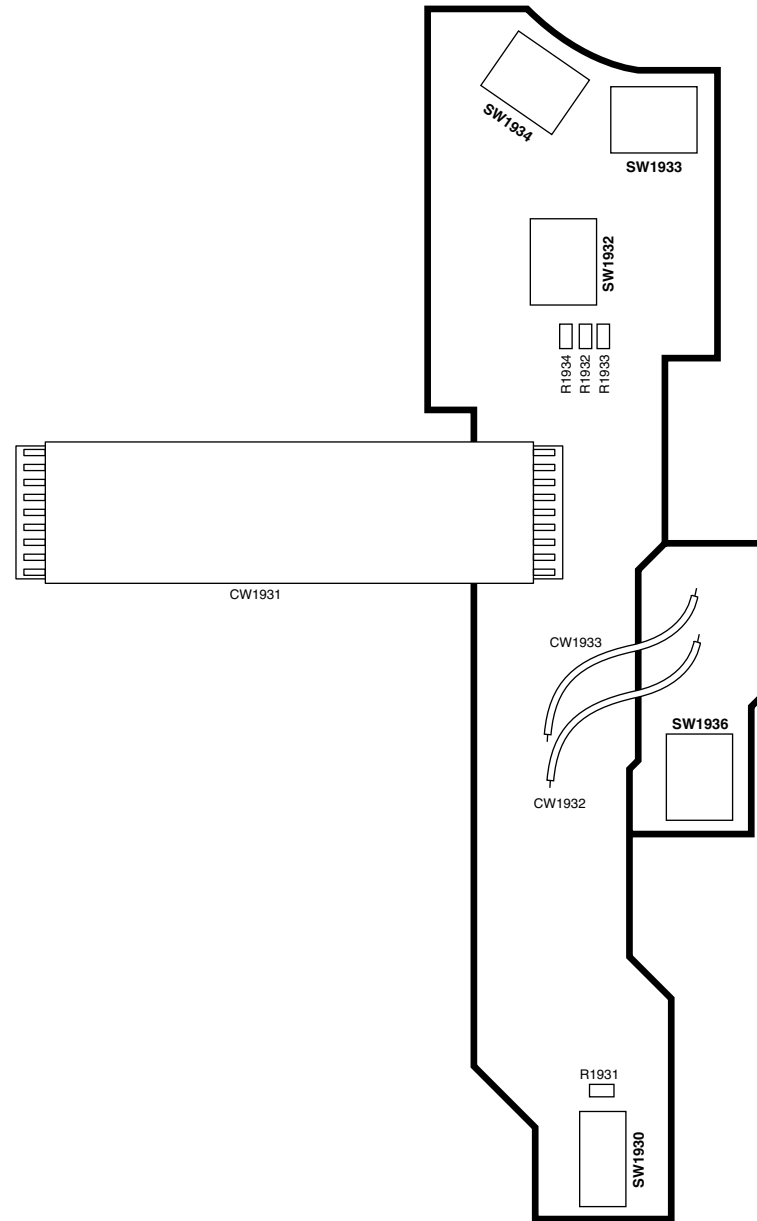
RD-DV5-S/DV7-L/DV5MD-S

WIRING DIAGRAM



PC BOARD (Parts layout) MD MECHANISM

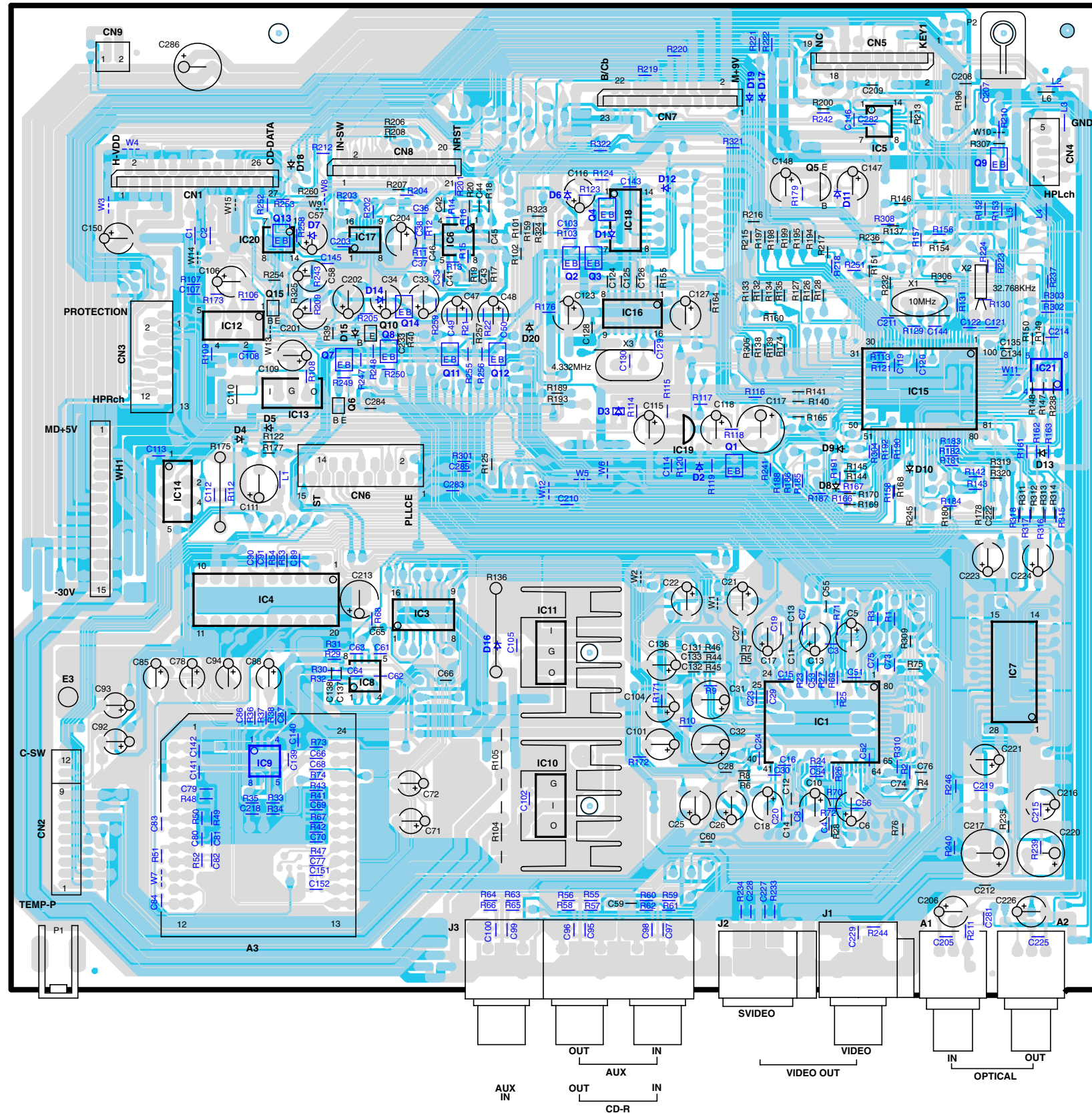
PC BOARD (Component side view)



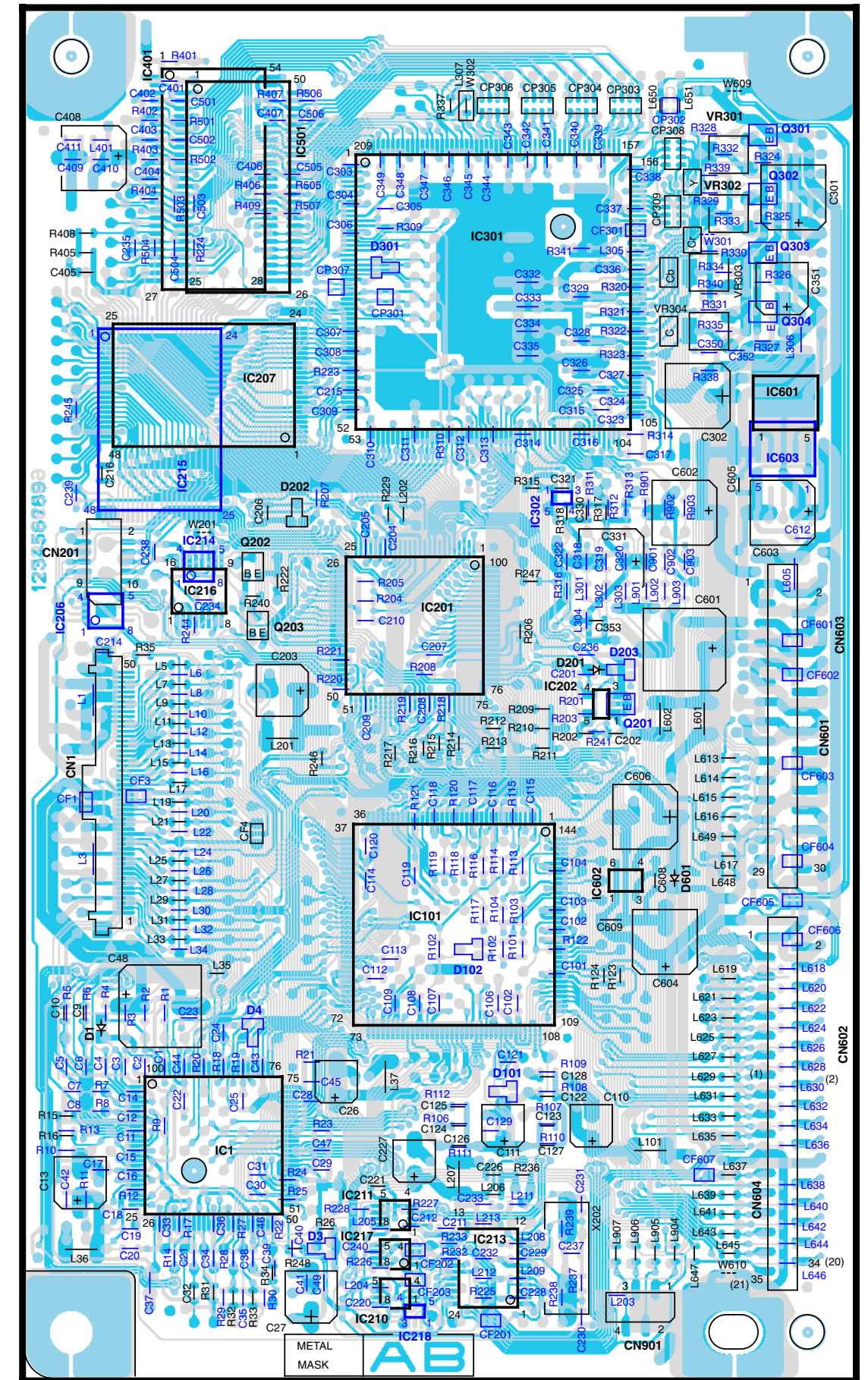
Refer to the schematic diagram for the value of resistors and capacitors.

PC BOARD(Component side view)

X29-276/283 (J70-1534-11)

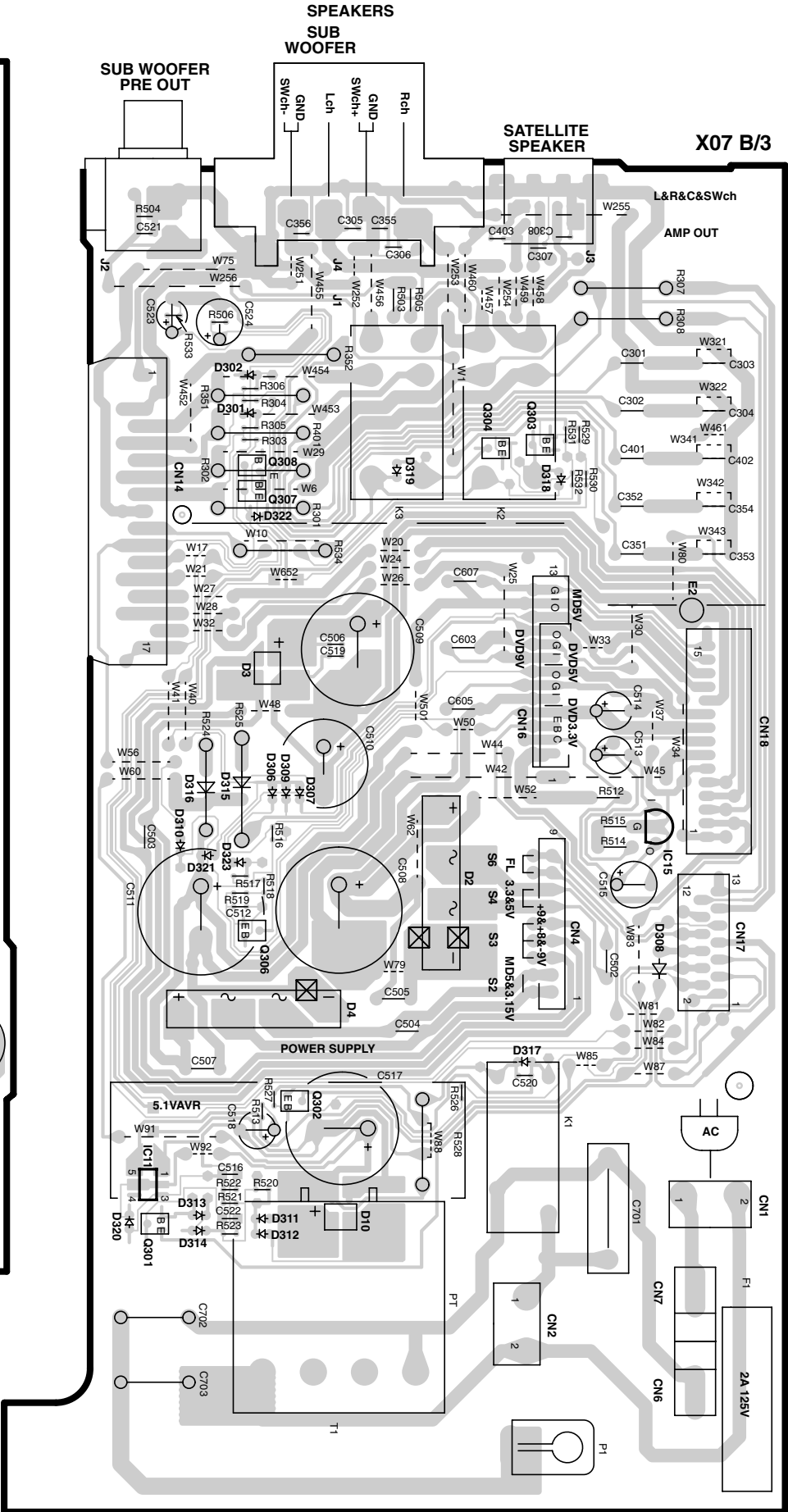
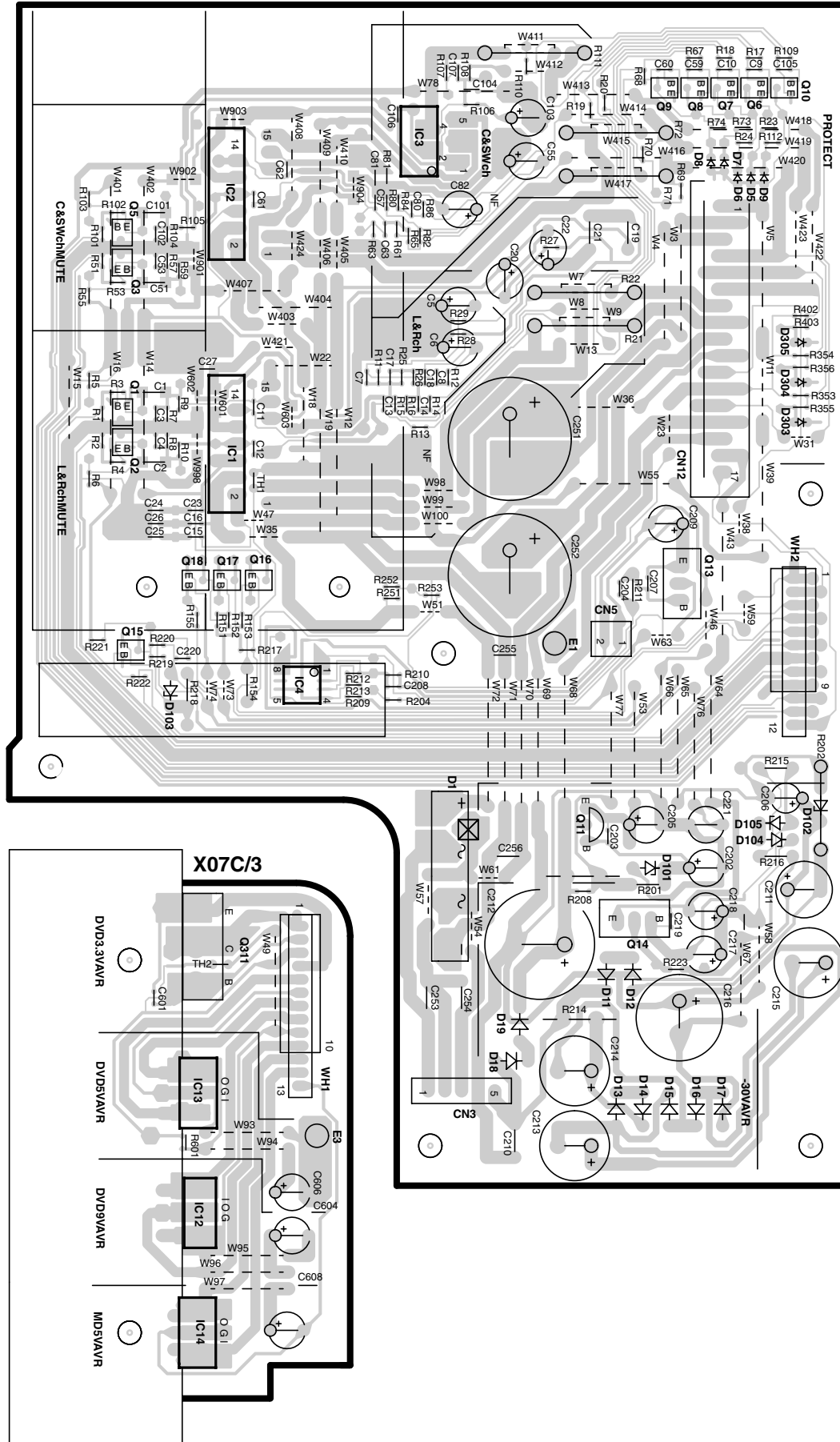


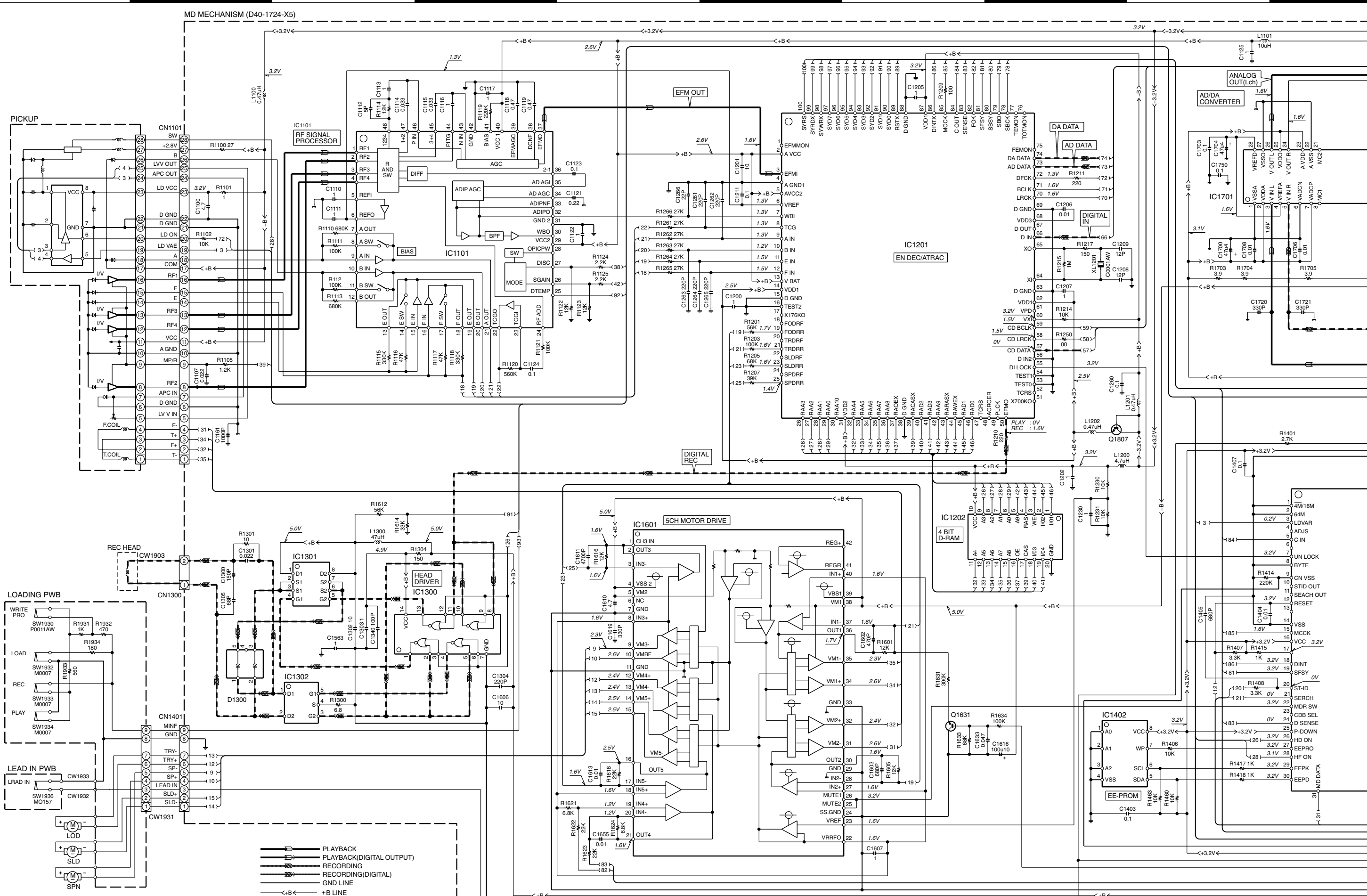
X35-230/232 (J70-1521-12)



PC BOARD (Component side view)

X07-340/343 A/3
(J70-1502-11)





2

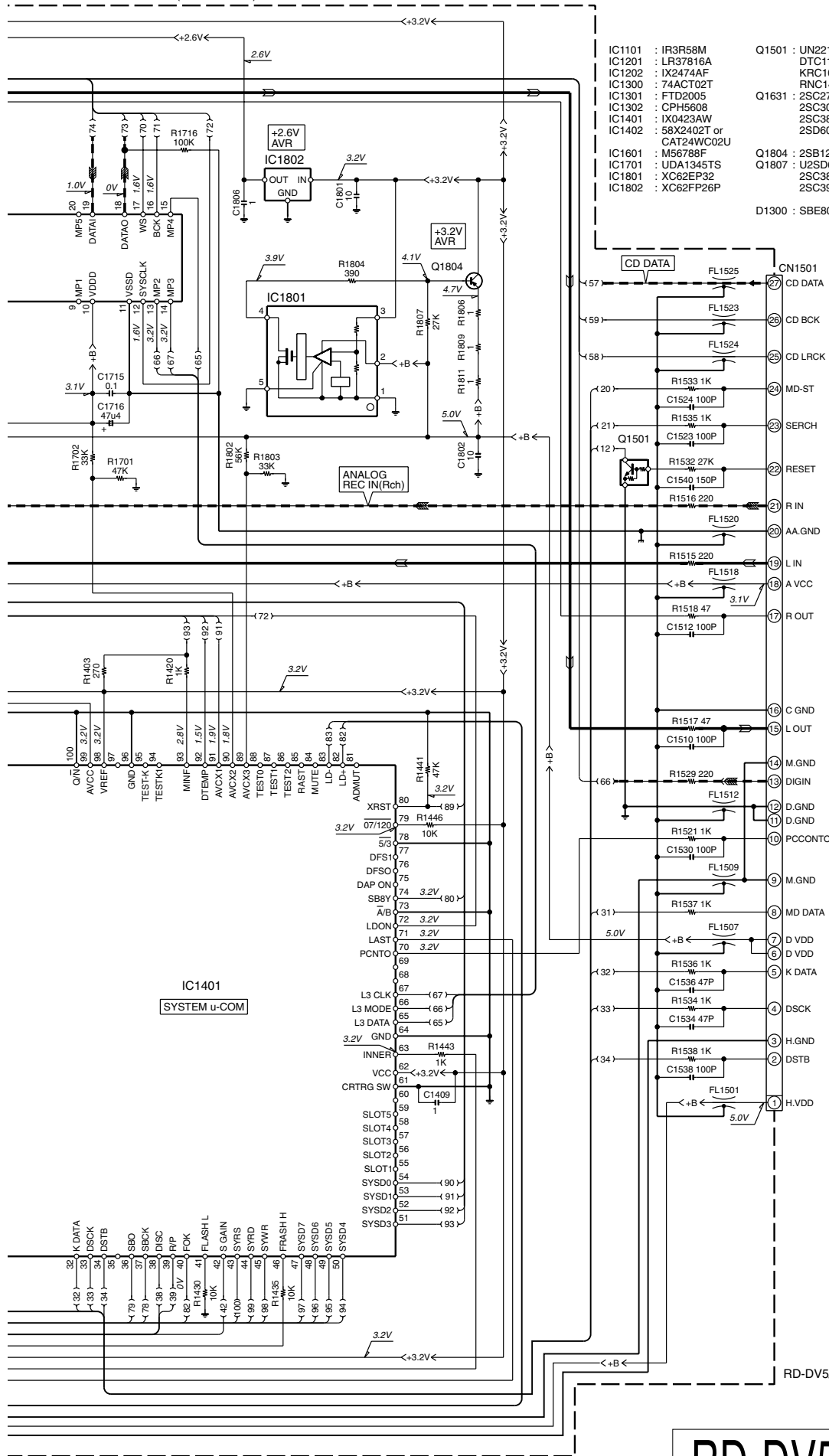
3

4

5

6

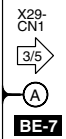
7



- IC1101 : IR3R58M
- IC1201 : LR37816A
- IC1202 : IX2474AF
- IC1300 : 74ACT02T
- IC1301 : FTD2005
- IC1302 : CPH5608
- IC1401 : IX0423AW
- IC1402 : 58X2402T or CAT24WC02U
- IC1601 : M56788F
- IC1701 : UDA1345TS
- IC1801 : XC62EP32
- IC1802 : XC62FP26P
- Q1501 : UN2214 or DTC114YK or KRC107S or RNC1407
- Q1631 : 2SC2712GR or 2SC3052F or 2SC3875GR or 2SD601AR
- Q1804 : 2SB1205
- Q1807 : U2SD601AR or 2SC3875GR or 2SC3928AR
- D1300 : SBE803

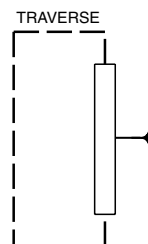
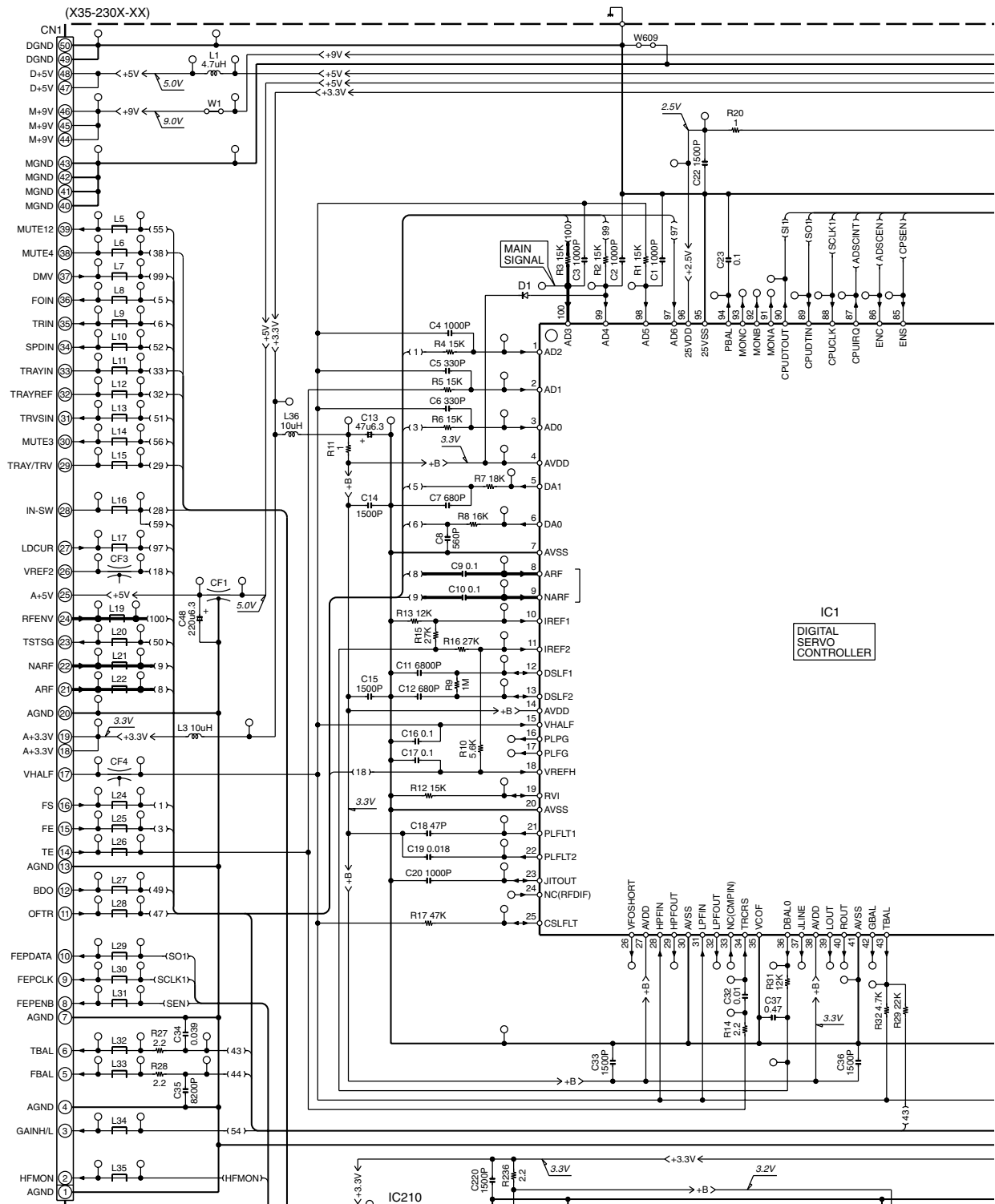
CAUTION: For continued safety, replace safety critical components only with manufacturer's recommended parts (refer to parts list). Δ indicates safety critical components. For continued protection against risk of fire, replace only with same type and rating use(s). To reduce the risk of electric shock, leakage-current or resistance measurements shall be carried out (exposed parts are acceptably insulated from the supply circuit) before the appliance is returned to the customer.

The DC voltage is an actual reading measured with a high impedance type voltmeter with no signal input. The measurement value may vary depending on the measuring instruments used or on the product.

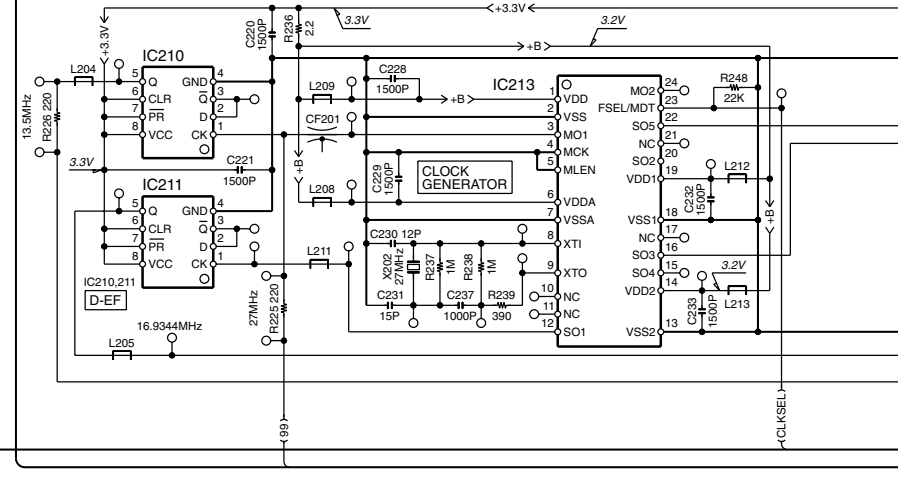


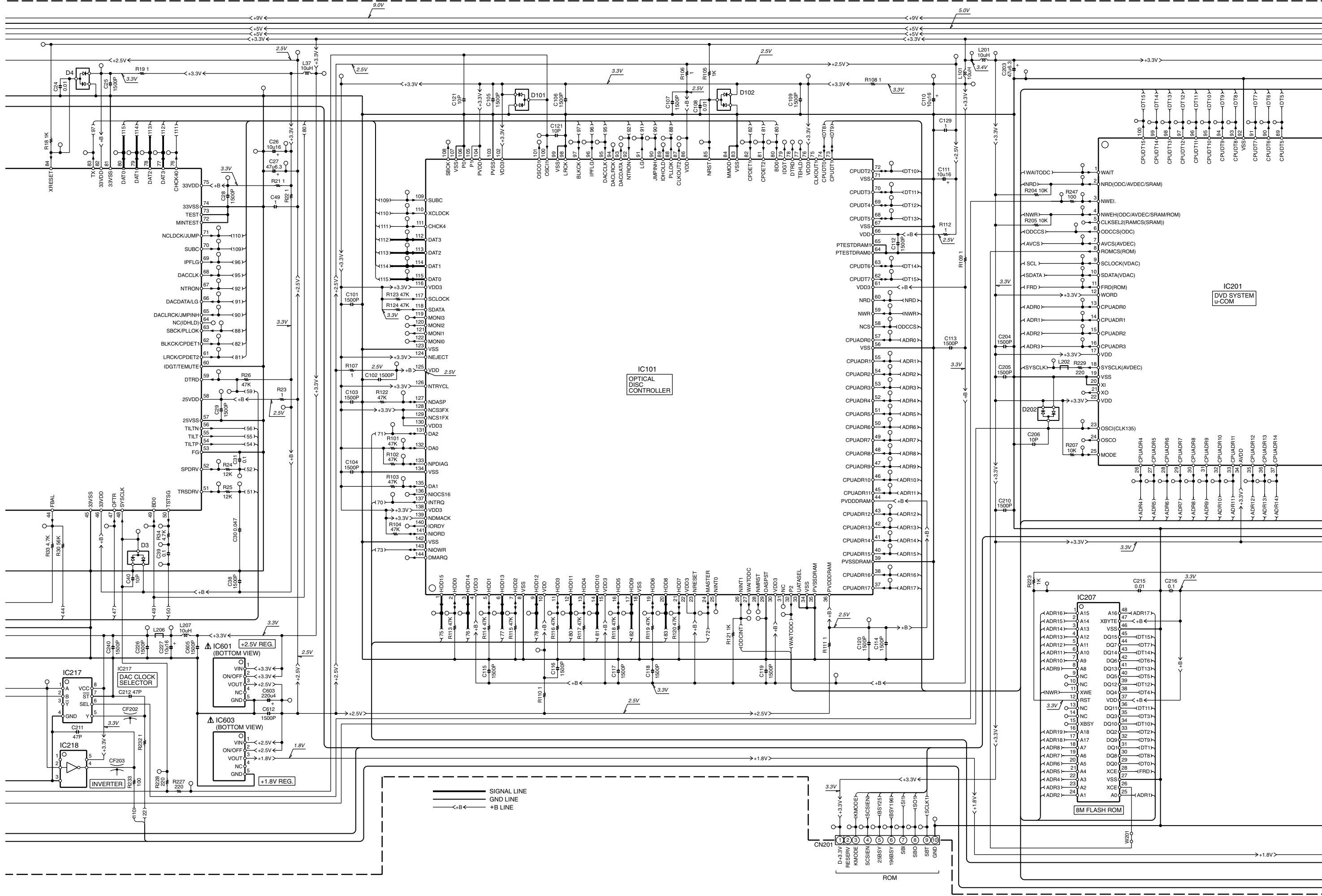
RD-DV5/DV7/DV5MD (1/5)

RD-DV5-S/DV7-L/DV5MD



- IC1 : MN67706EC
- IC101 : MN103S13BGA
- IC201 : MN120L62GGB
- IC202 : PST596JNR
- IC206 : X25057M-2.7
- IC207 : 49LV8192A90T
- IC210,211 : TC7WH74FU
- IC213 : SM8703AV
- IC217 : TC7WH157FU
- IC218,302 : TC7SHU04FU
- IC301 : MN677533MP
- IC401 : K4S641632ET75 or IS42S16400-7T or 57V641620HGTH
- IC601 : PQ025E201ZP
- IC602 : PQ1R33
- IC603 : PQ018E201ZP
- Q201 : 2SC4081(R,S)
- Q202,301,304 : 2SA1576A(R,S)
- Q203 : DTC124EUA
- D1,201,601 : MA111
- D3,4,101,102,202,203,301 : DA204U





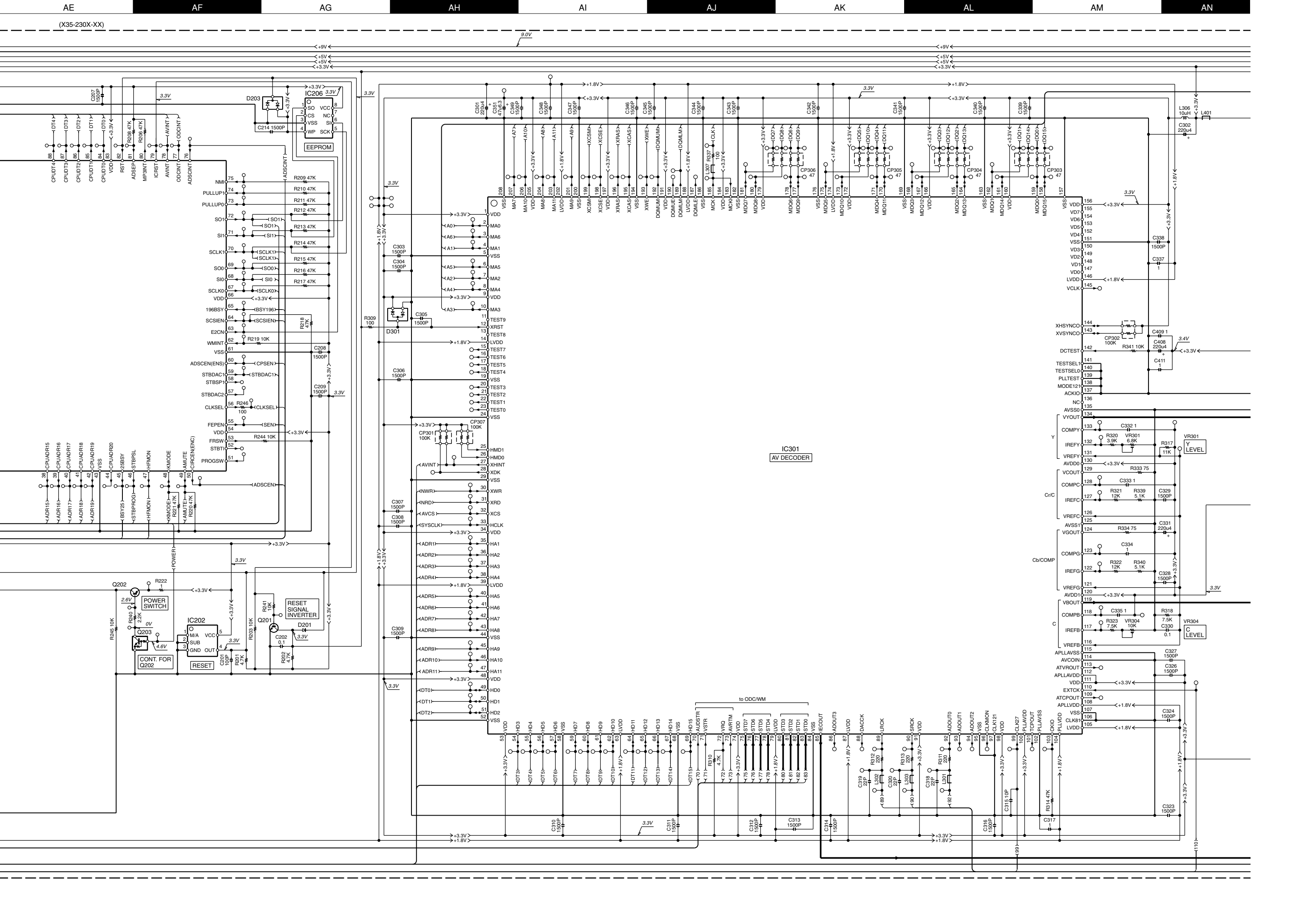
IC101
OPTICAL
DISC
CONTROLLER

IC201
DVD SYSTEM
u-COM

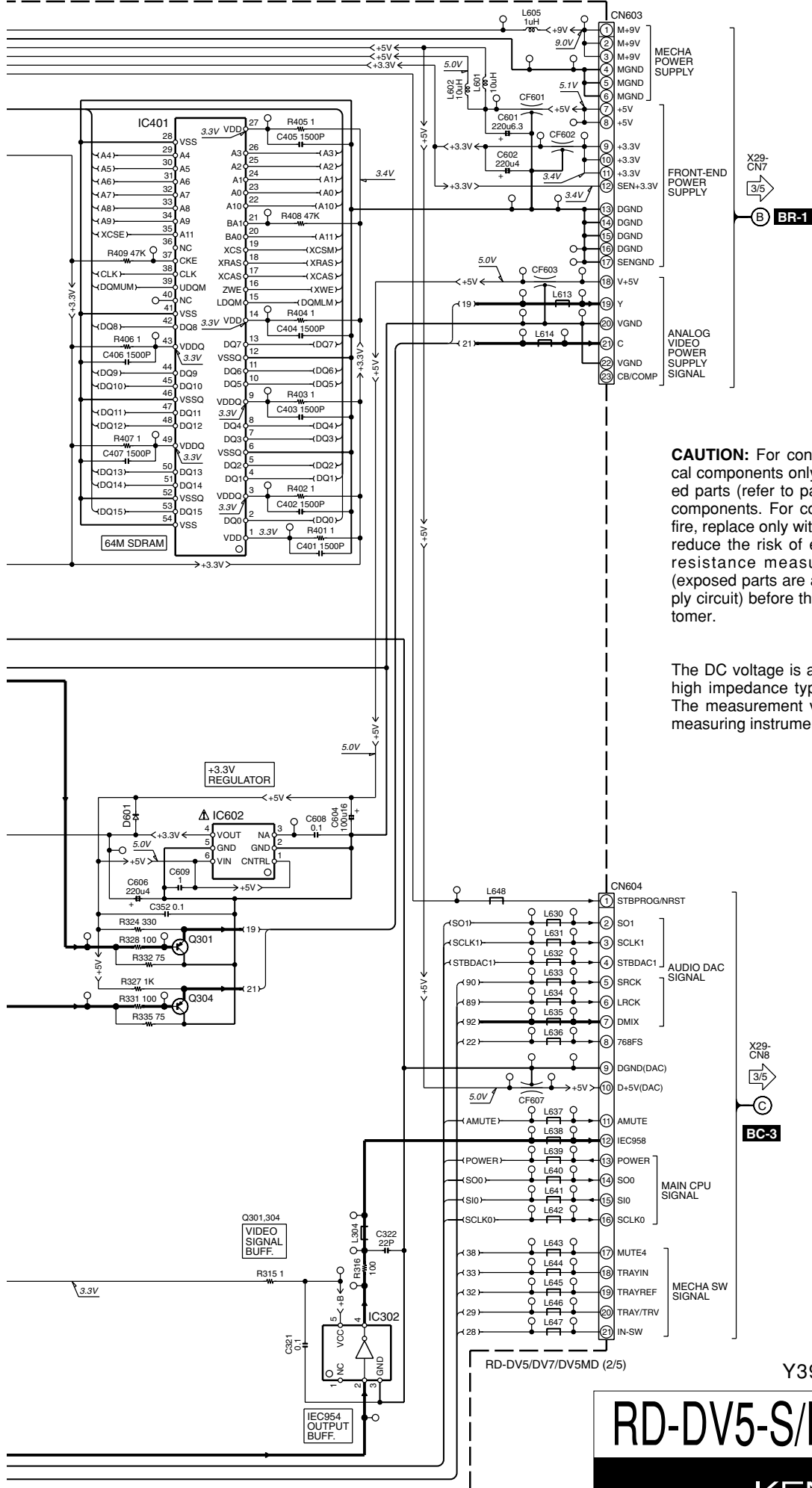
IC207
8M FLASH ROM

— SIGNAL LINE
- - - GND LINE
-- +B LINE

ROM



(X35-230X-XX)



CAUTION: For continued safety, replace safety critical components only with manufacturer's recommended parts (refer to parts list). Δ indicates safety critical components. For continued protection against risk of fire, replace only with same type and rating fuse(s). To reduce the risk of electric shock, leakage-current or resistance measurements shall be carried out (exposed parts are acceptably insulated from the supply circuit) before the appliance is returned to the customer.

The DC voltage is an actual reading measured with a high impedance type voltmeter with no signal input. The measurement value may vary depending on the measuring instruments used or on the product.

X29-CN7
3/5
BR-1

X29-CN8
3/5
BC-3

Y39-3950-21

RD-DV5-S/DV7-L/DV5MD-S

X35-CN603

B

AQ-1

RD-DV5MD-S (X29-2760-21)

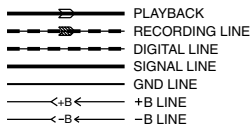
DESTINATION	UNIT No.	(A)	(B)	(C)	(D)	(E)	C145	C285	CN2	IC20	Q6, 15	R3,4	R124	R132,135,139,141,200,243,313,317,318,320,325	R301,311,312,316,319	W1,2,9
COUNTRY	ABB.															
GENERAL MARKET	M	0-21	NO	YES	YES	YES	NO	NO	9P	YES	YES	100	47K	YES	NO	YES

RD-DV5-S (X29-2762-71)

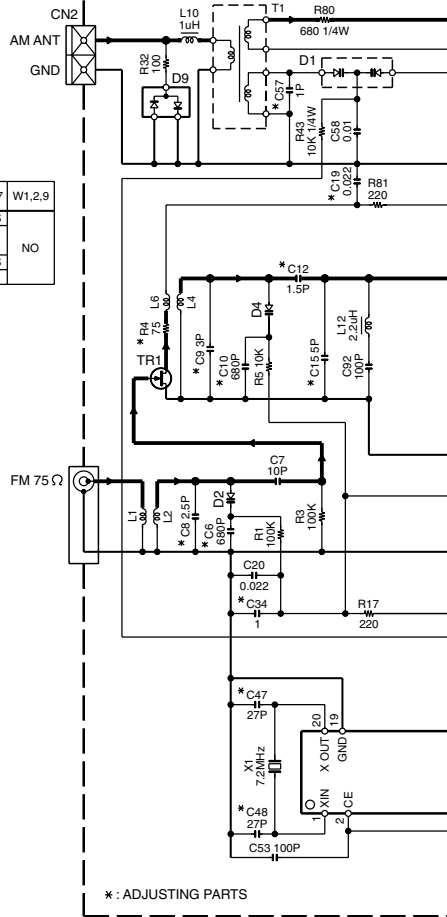
DESTINATION	UNIT No.	(A)	(B)	(C)	(D)	(E)	(B)	C145	C285	CN2	IC20	Q6, 15	R3,4	R124	R132,135,139,141,200,243,311,313,317,320,325	R301,312,316,318,319	W1,2, W9
COUNTRY	ABB.																
U.K.	T	2-71	NO	YES	NO	NO	NO	YES	12P	NO	NO	NO	8.2K	10K	NO	YES	YES
EUROPE	E2	2-72	YES	YES	NO	NO	NO	YES	12P	NO	NO	NO	8.2K	10K	NO	YES	NO
AUSTRALIA	X2	0-71	NO	NO	NO	NO	NO	NO	NO	NO	NO	NO	NO	NO	NO	YES	NO
SHANGHAI	V2	2-10	NO	NO	NO	NO	NO	NO	NO	NO	NO	NO	NO	NO	NO	YES	NO

RD-DV7-L (X29-276X-XX)

DESTINATION	UNIT No.	(A)	(B)	(C)	(D)	(E)	(B)	C145	C285	CN2	IC20	Q6, 15	R3,4	R124	R132,135,139,141,200,243,318,320,325	R301,311,319	R312	R313	R316	R317	W1,2,9	
COUNTRY	ABB.																					
GENERAL MARKET	M2	0-22	NO	NO	NO	NO	NO	NO	NO	NO	NO	NO	NO	NO	NO	NO	NO	NO	NO	NO	NO	NO
U.K.	T2	2-72	YES	YES	NO	NO	NO	YES	12P	NO	NO	NO	8.2K	10K	NO	YES	NO	YES	NO	NO	NO	NO
EUROPE	E2	2-72	YES	YES	NO	NO	NO	YES	12P	NO	NO	NO	8.2K	10K	NO	YES	NO	YES	NO	NO	NO	NO
AUSTRALIA	X2	0-71	NO	NO	NO	NO	NO	NO	NO	NO	NO	NO	NO	NO	NO	NO	NO	NO	NO	NO	NO	NO
SHANGHAI	V2	2-10	NO	NO	NO	NO	NO	NO	NO	NO	NO	NO	NO	NO	NO	NO	NO	NO	NO	NO	NO	NO

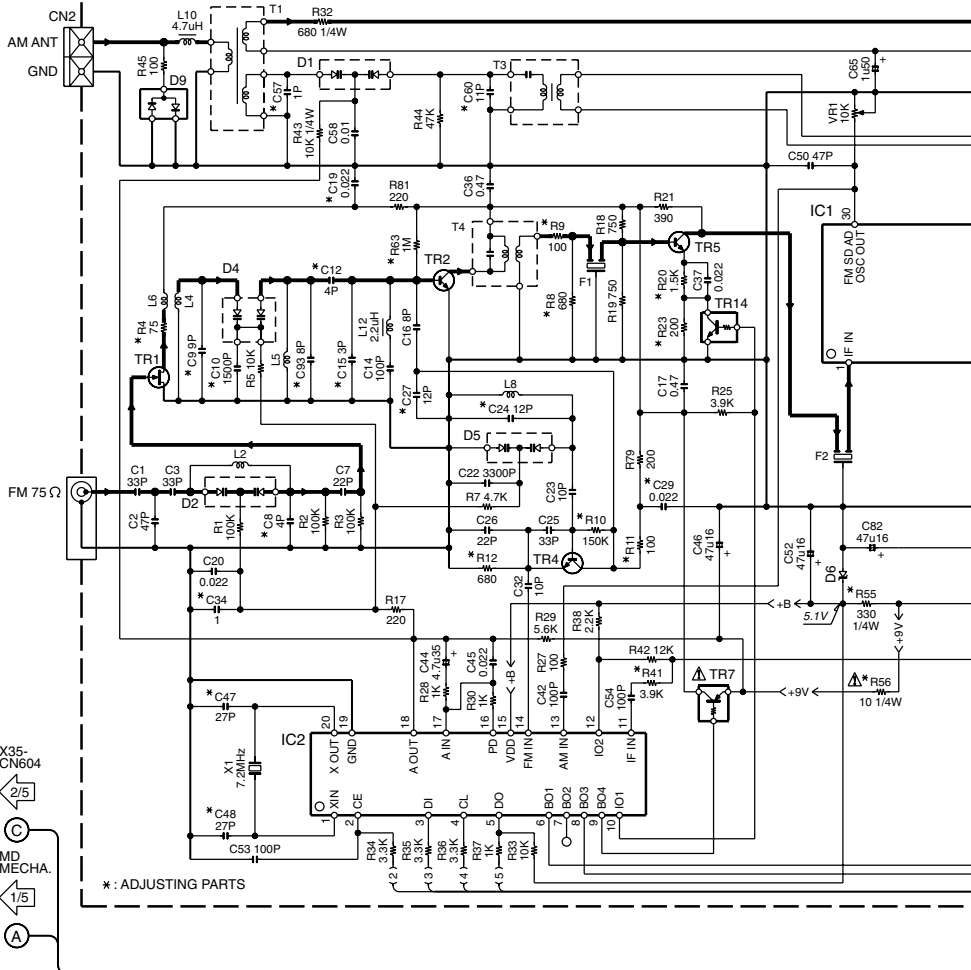


(W02-2783-05) USED M,X,V TYPE



* : ADJUSTING PARTS

(W02-2762-05) USED E,T TYPE



* : ADJUSTING PARTS

X35-CN604

N-7

MD MECHA.

1/5

AQ-5

2

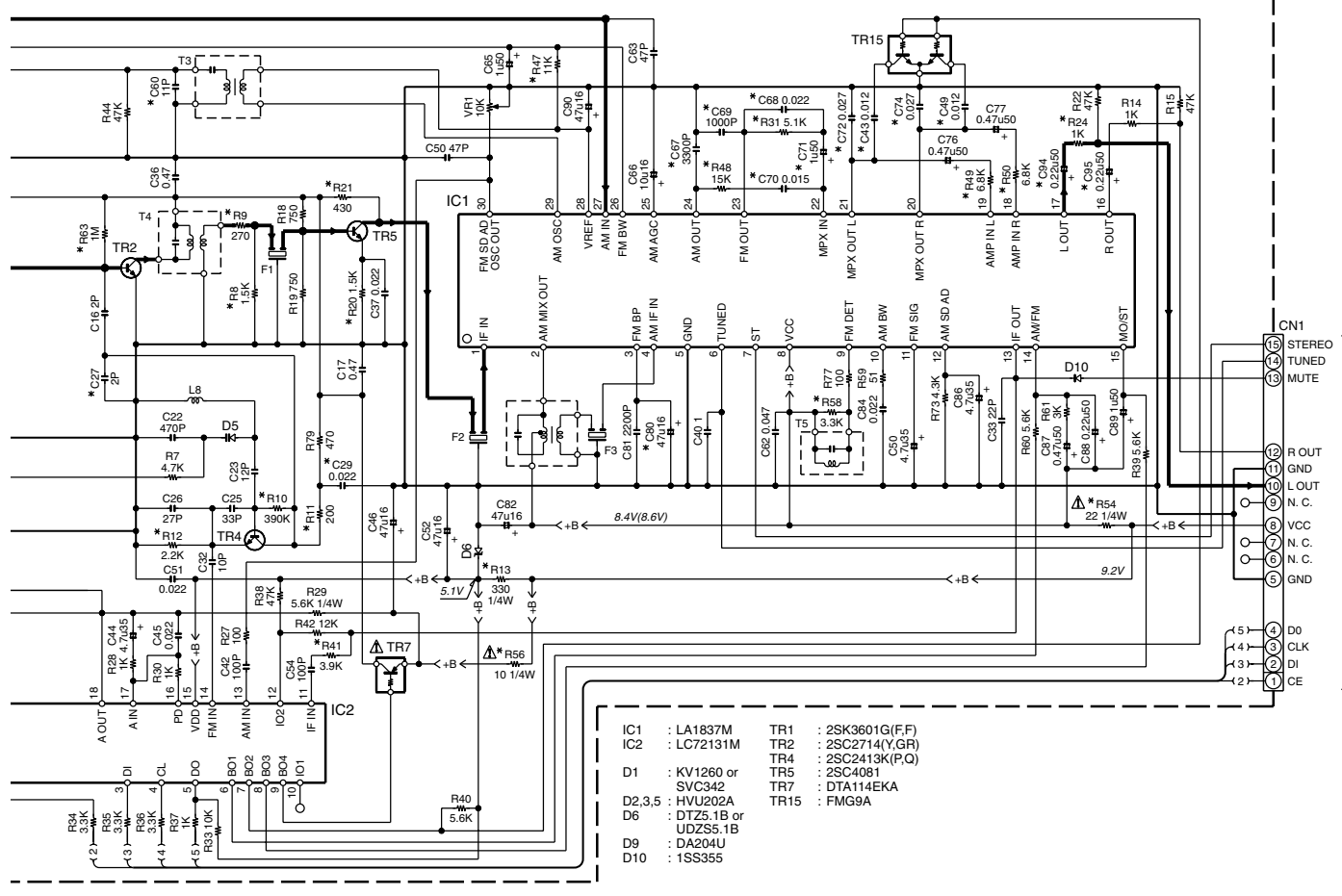
3

4

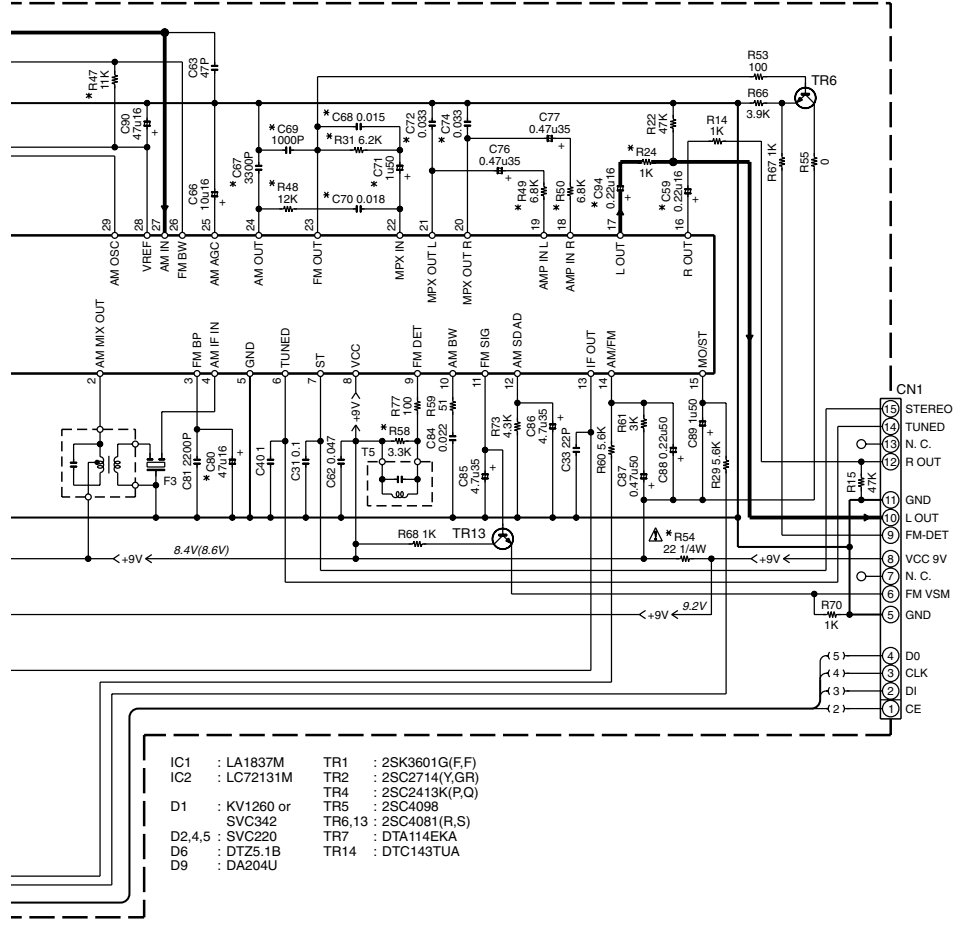
5

6

7



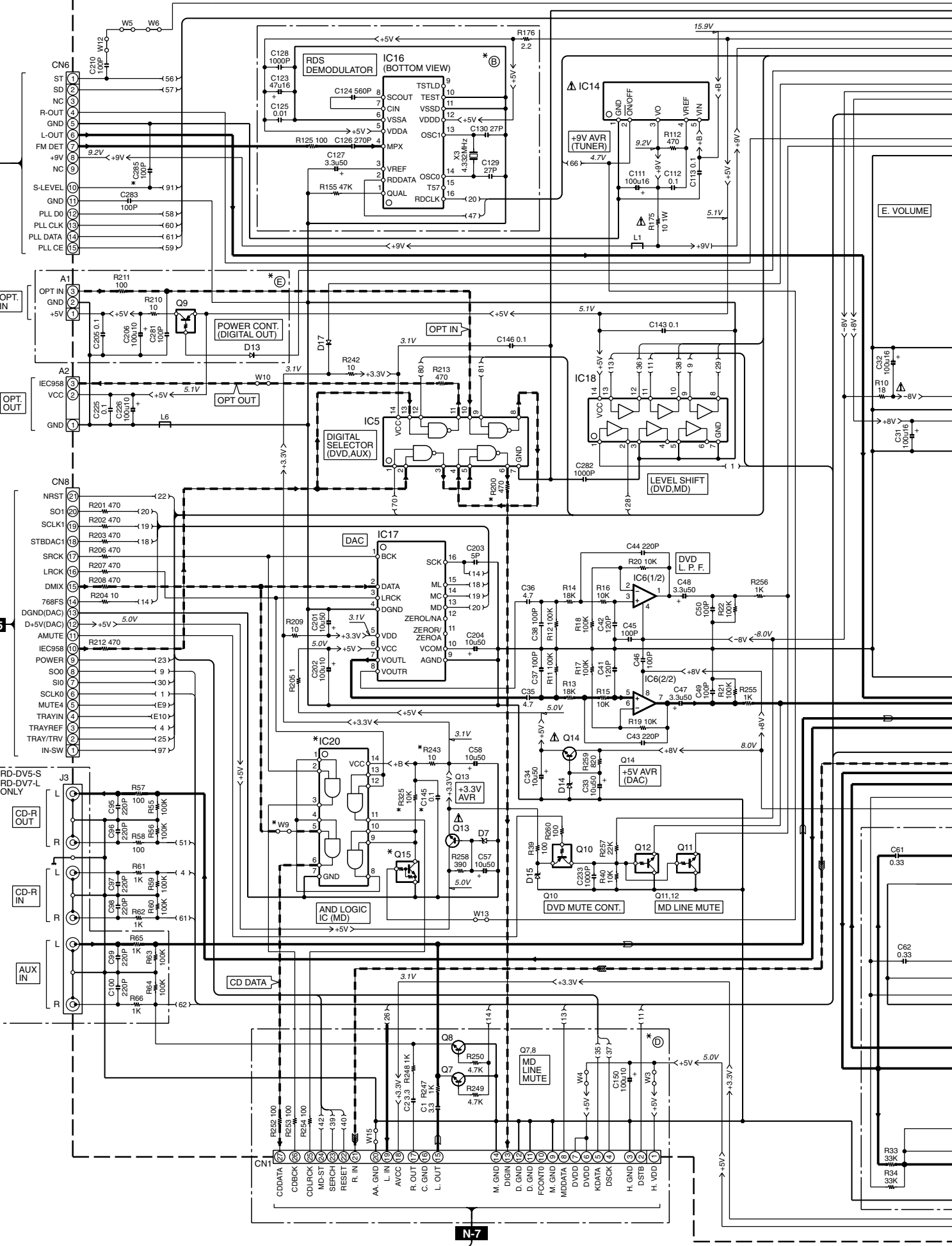
- IC1 : LA1837M
- IC2 : LC72131M
- D1 : KV1260 or SVC342
- D2,3,5 : HVU202A
- D6 : DTZ5.1B or UDZS5.1B
- D9 : DA204U
- D10 : 1SS355
- TR1 : 2SK3601G(F,F)
- TR2 : 2SC2714(Y,G,R)
- TR4 : 2SC2413K(P,Q)
- TR5 : 2SC4081
- TR7 : DTA114EKA
- TR15 : FMG9A

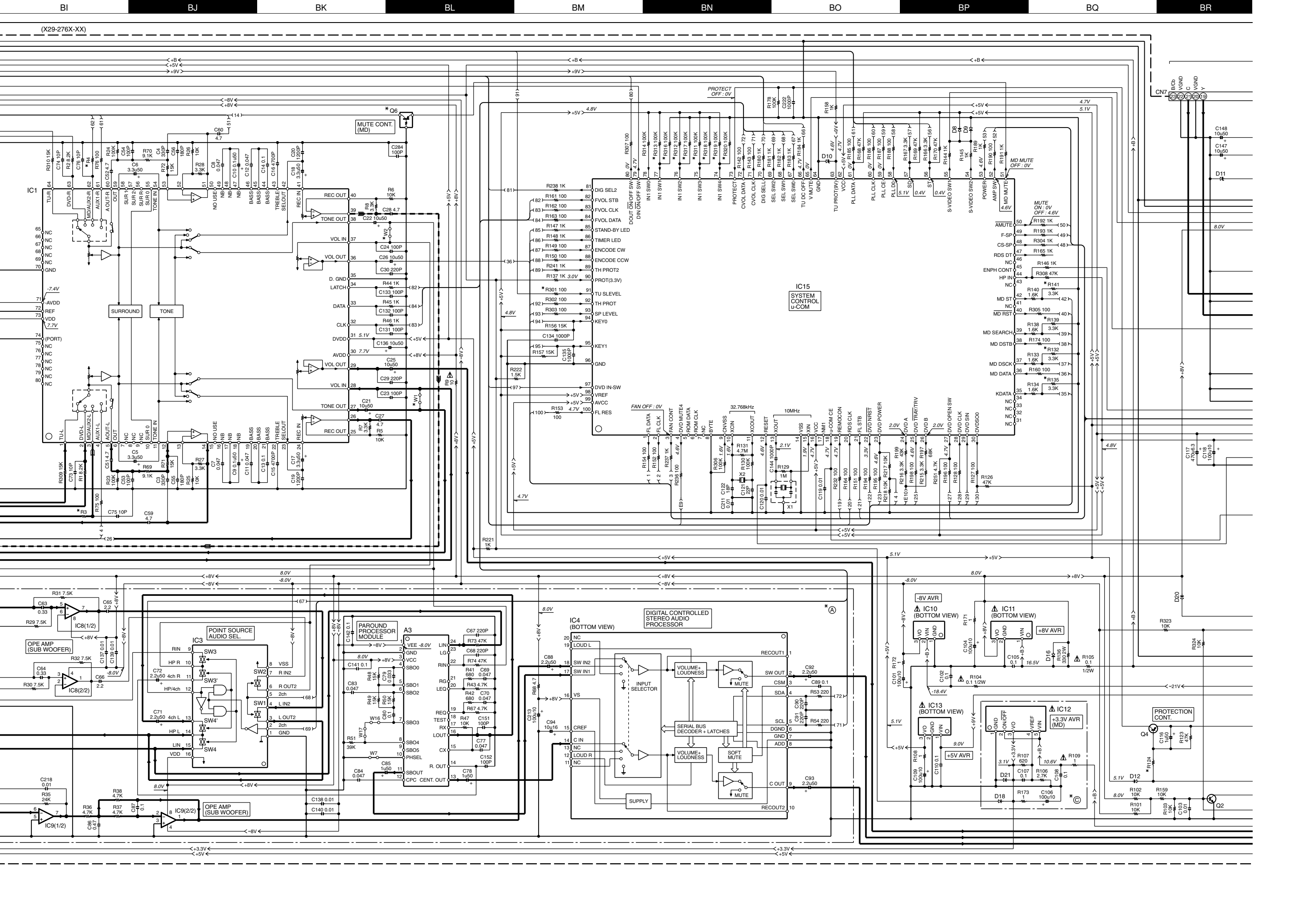


- IC1 : LA1837M
- IC2 : LC72131M
- D1 : KV1260 or SVC342
- D2,4,5 : SVC220
- D6 : DTZ5.1B
- D9 : DA204U
- TR1 : 2SK3601G(F,F)
- TR2 : 2SC2714(Y,G,R)
- TR4 : 2SC2413K(P,Q)
- TR5 : 2SC4098
- TR6,13 : 2SC4081(R,S)
- TR7 : DTA114EKA
- TR14 : DTC143TUA

- IC1 : M62492FP
- IC3 : TC9215AF
- IC4 : TDA7309
- IC5 : HD74LVC00T
- IC5,8,9 : NJM4555MD
- IC7 : MM1539AFBE
- IC10 : TA79008S
- IC11 : TA7808S
- IC12 : SI-3025F(1109)
- IC13 : UPC2905HF
- IC14 : SI-3090C(1109)
- IC15 : M30624MGA356F
- IC16 : BU1923F
- IC17 : PCM1748E
- IC18 : TC74HCT7007AF
- IC19 : S-80840ANY
- IC20 : HD74LVC08T

- Q1-3,13,14 : 2SC4081(R,S) or 2SC4116(Y,G,R)
- Q4 : 2SA1576A(R,S) or 2SA1586(Y,G,R)
- Q5 : 2SC2003(L,K)
- Q6,9,10 : DTA143TUA or UN5116
- Q7,8 : 2SC4213(B)
- Q11,12 : DTC143TUA or UN5216
- Q15 : DTC124EUA or UN5212
- D1,2,4,5,8,9,12,13,16-20 : MA111
- D3 : 1SS402
- D6,10 : UDZS4.7B or UDZ3.9B
- D7 : UDZS3.9B or UDZ3.9B
- D11,14 : UDZS5.6B or UDZ5.6B
- D15 : UDZS2.7B or UDZ2.7B or HZU2.7(B2) or RD2.7S(B2)
- D21 : MTZJ4.7(B2) or RD4.7ES(B2)





(X07-34XX-XX) (A/3)

X29-WH1

3/5

H

BU-6

*WH2

C.SW RELAY

A Cch

11

12

13

14

15

16

17

18

19

20

21

22

23

24

25

26

27

28

29

30

31

32

33

34

35

36

37

38

39

40

41

42

43

44

45

46

47

48

49

50

51

52

53

54

55

56

57

58

59

60

61

62

63

64

65

66

67

68

69

70

71

72

73

74

75

X29-CN2

3/5

G

BU-6

A Lch

6

7

8

9

10

11

12

13

14

15

16

17

18

19

20

21

22

23

24

25

26

27

28

29

30

31

32

33

34

35

36

37

38

39

X29-CN3

3/5

F

BU-5

A MUTE

A CLASS CONT

FAN CONT

A IN LEVEL

TEMP PROT

1

2

3

4

5

6

7

8

9

10

11

12

13

14

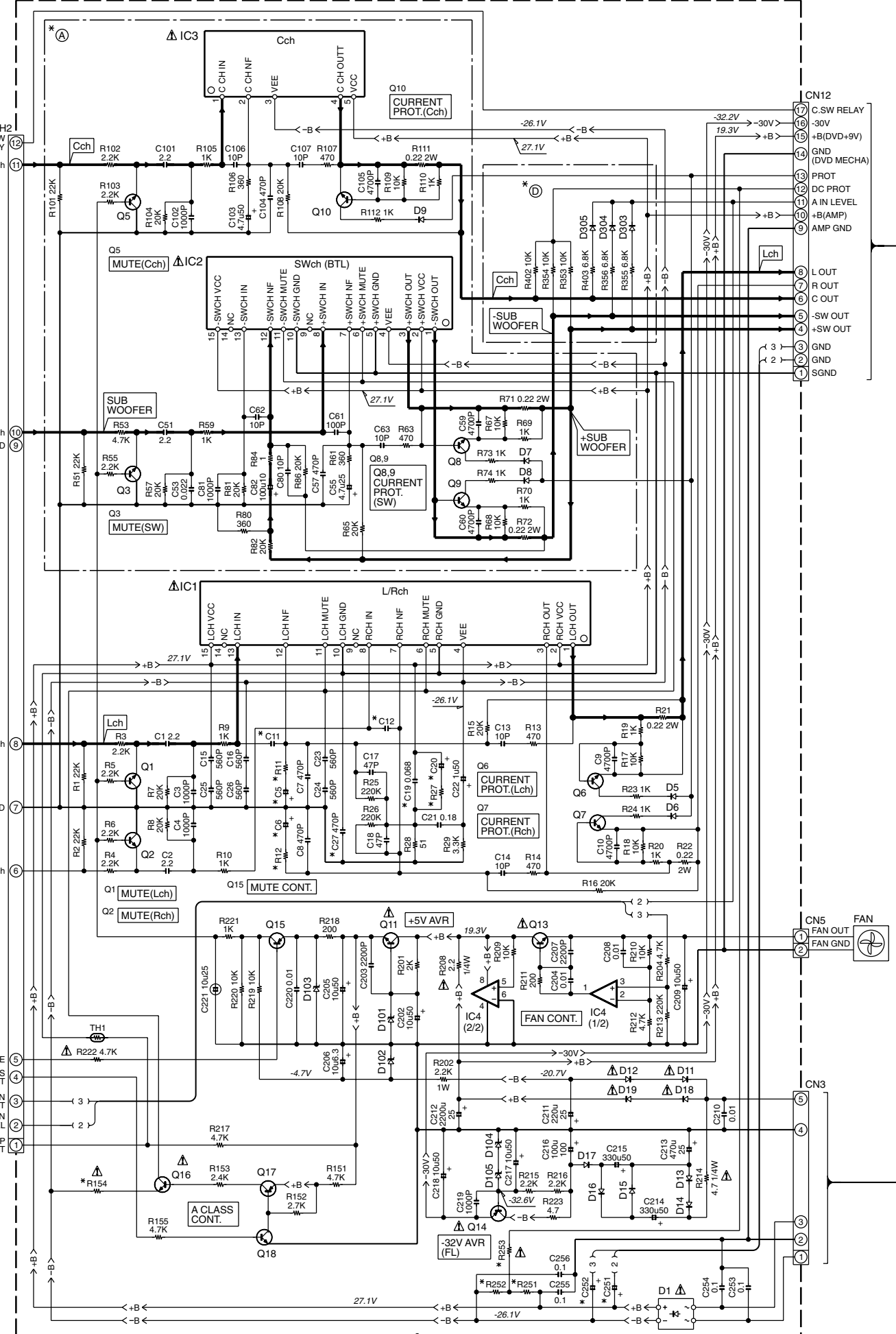
- 17 C.SW RELAY
- 16 -30V
- 15 +(DVD+9V)
- 14 GND (DVD MECHA)
- 13 PROT
- 12 DC PROT
- 11 A IN LEVEL
- 10 +(AMP)
- 9 AMP GND

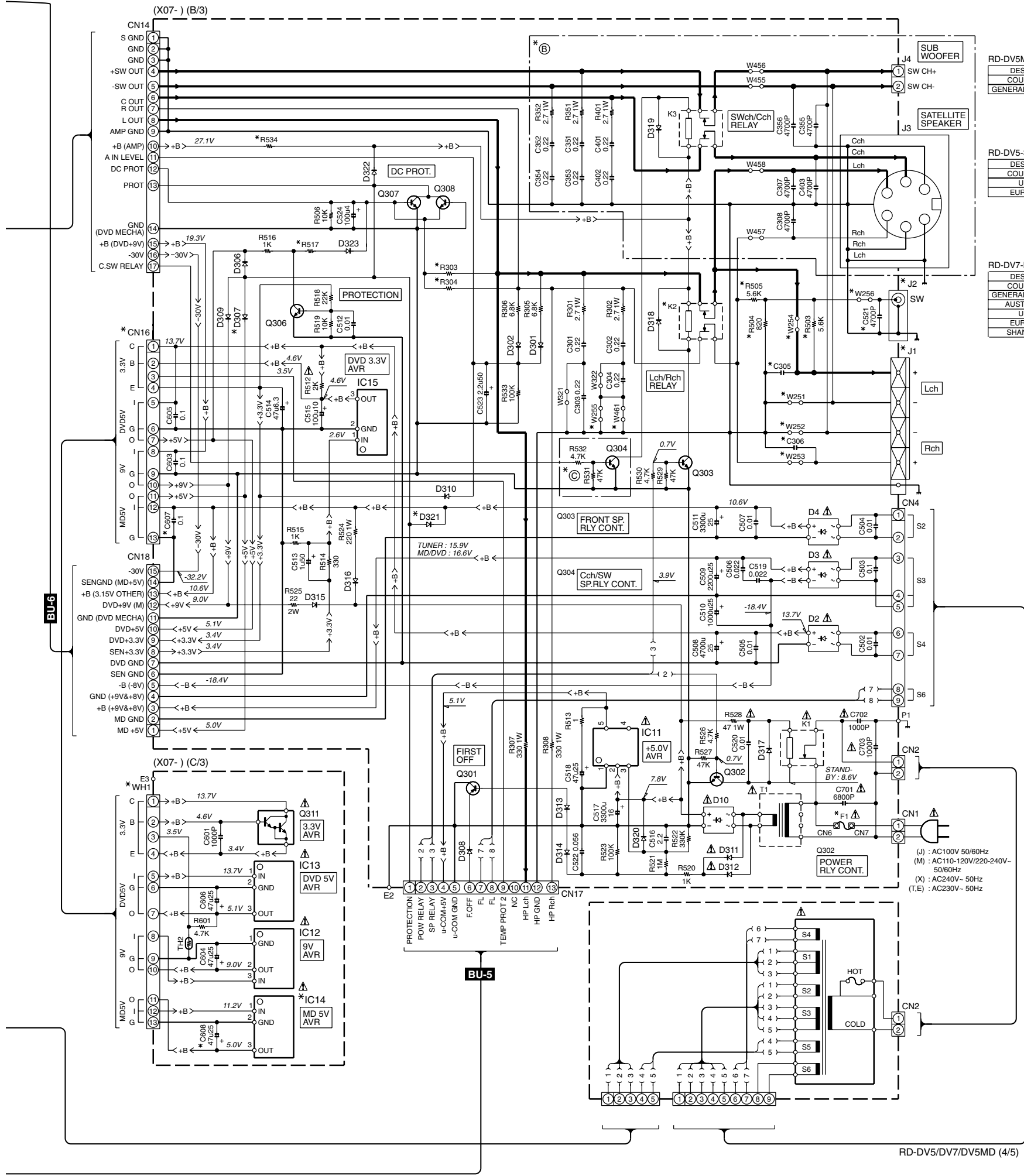
- 8 L OUT
- 7 R OUT
- 6 C OUT
- 5 -SW OUT
- 4 +SW OUT
- 3 GND
- 2 GND
- 1 SGND

- 1 FAN
- 2 FAN OUT
- 3 FAN GND

- 5
- 4
- 3
- 2
- 1

- 17
- 16
- 15
- 14
- 13
- 12
- 11
- 10
- 9
- 8
- 7
- 6
- 5
- 4
- 3
- 2
- 1





RD-DV5MD-S (X07-3400-21)

DESTINATION COUNTRY	UNIT No.	A	B	C	D	C5,6	C11,12	C19,27	C20	C251,252	C303-306,521,607,608	C305,306	CN16	D307	D321	
GENERAL MARKET	M	0-21				NO	10u50	10P	NO	1u50	3300u35	YES	4700P	13PIN	YES	NO

F1	IC14	J1,2	K2	R11,12	R27	R154,517	R251-253,303,304	R503-505	R534	WH1	WH2	W251-256	W461
F06-1022-05	YES	YES	24V	360	16K	10K	47K	YES	82 1W	13PIN	9PIN	YES	NO

RD-DV5-S (X07-3402-71)

DESTINATION COUNTRY	UNIT No.	A	B	C	D	C5,6	C11,12	C20	C19,27,607,608	C251,252	C305,306	C521	CN16	D307	D321	
U.K.	T	2-71				NO	10u50	47P	1u50	NO	3300u35	5600P	YES	10PIN	NO	YES
EUROPE	E															

F1	IC14	J1,2	K2	R11,12	R27	R154,517	R251-253,303,304	R503-505	R534	WH1	WH2	W251-256	W461
F06-1022-05	NO	YES	24V	360	16K	10K	47K	YES	82 1W	10PIN	9PIN	YES	NO

RD-DV7-L (X07-34XX-XX)

DESTINATION COUNTRY	UNIT No.	A	B	C	D	C5,6,20	C11,12	C19,27	C251	C252	C305,306,521,607,608	CN16	D307	D321	
GENERAL MARKET	M2	00-22													
AUSTRALIA	X2							YES	2700u25			NO	10PIN	NO	YES
U.K.	T2														
EUROPE	E2														
SHANGHAI	V2														

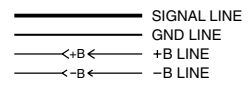
F1	IC14	J1,2	K2	R11,12	R27,251-253	R154	R303,304	R503-505	R517	R534	WH1	WH2	W251-256	W461
F06-1022-05	NO	NO	12V	560	4.7K	3.3K	10K	NO	1K	56 1W	10PIN	12PIN	NO	YES

CAUTION: For continued safety, replace safety critical components only with manufacturer's recommended parts (refer to parts list). Δ indicates safety critical components. For continued protection against risk of fire, replace only with same type and rating fuse(s). To reduce the risk of electric shock, leakage-current or resistance measurements shall be carried out (exposed parts are acceptably insulated from the supply circuit) before the appliance is returned to the customer.

The DC voltage is an actual reading measured with a high impedance type voltmeter with no signal input. The measurement value may vary depending on the measuring instruments used or the product.

- IC1,2 : LM4766TK
- IC3 : LM1875
- IC4 : NJM2904M
- IC11 : XC62HR5102P
- IC12 : SI-3092N
- IC13,14 : uPC2905HF
- IC15 : TL431CLP
- Q1-3,5 : 2SC4213(B)
- Q6-10,16,18,306-308 : 2SC4116(Y,GR) or 2SC4177(L5,L6)
- Q11 : 2SC2003(L,K)
- Q13 : 2SD2012
- Q14 : 2SB1640
- Q15,17,301 : 2SA1586(Y,GR) or 2SA1611(M5,M6)
- Q302-304 : 2SC4097(Q,R)
- Q311 : 2SD2493LF114
- D1,2,4 : D4SBL20UF03
- D3,10 : S1ZB20(4072)
- D5-9,301-307,309-314,317-323 : MA111
- D11-19,315,316 : S5688B(TPB5)
- D101 : RD5.6ES(B2) or MTZJ5.6(B)
- D102 : RD4.7ES(B2) or MTZJ4.7(B)
- D103 : RD3.9ES(B2) or MTZJ3.9(B)
- D104 : RD1.5ES(B2) or MTZJ1.5(B)
- D105 : RD1.8ES(B2) or MTZJ1.8(B)
- D308 : 1SS133 or HSS104A

- (J) : AC100V 50/60Hz
- (M) : AC110-120V/220-240V-50/60Hz
- (X) : AC240V-50Hz
- (T,E) : AC230V-50Hz



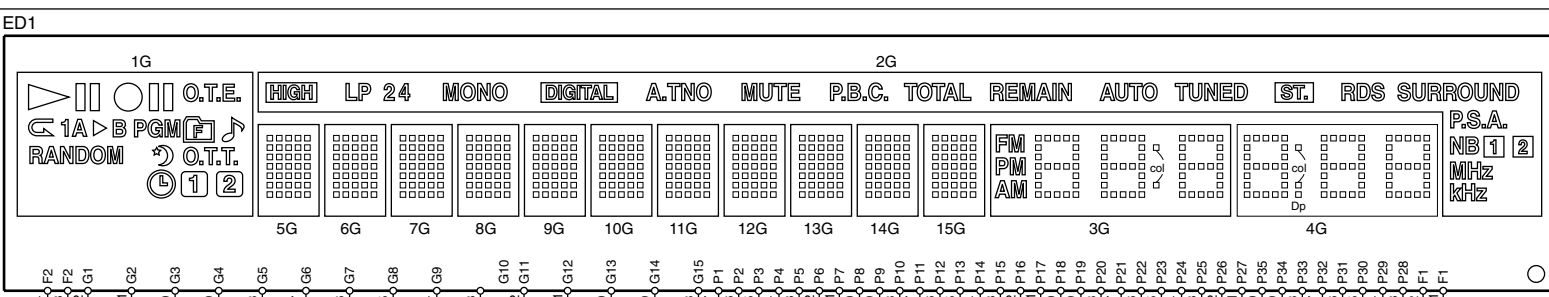
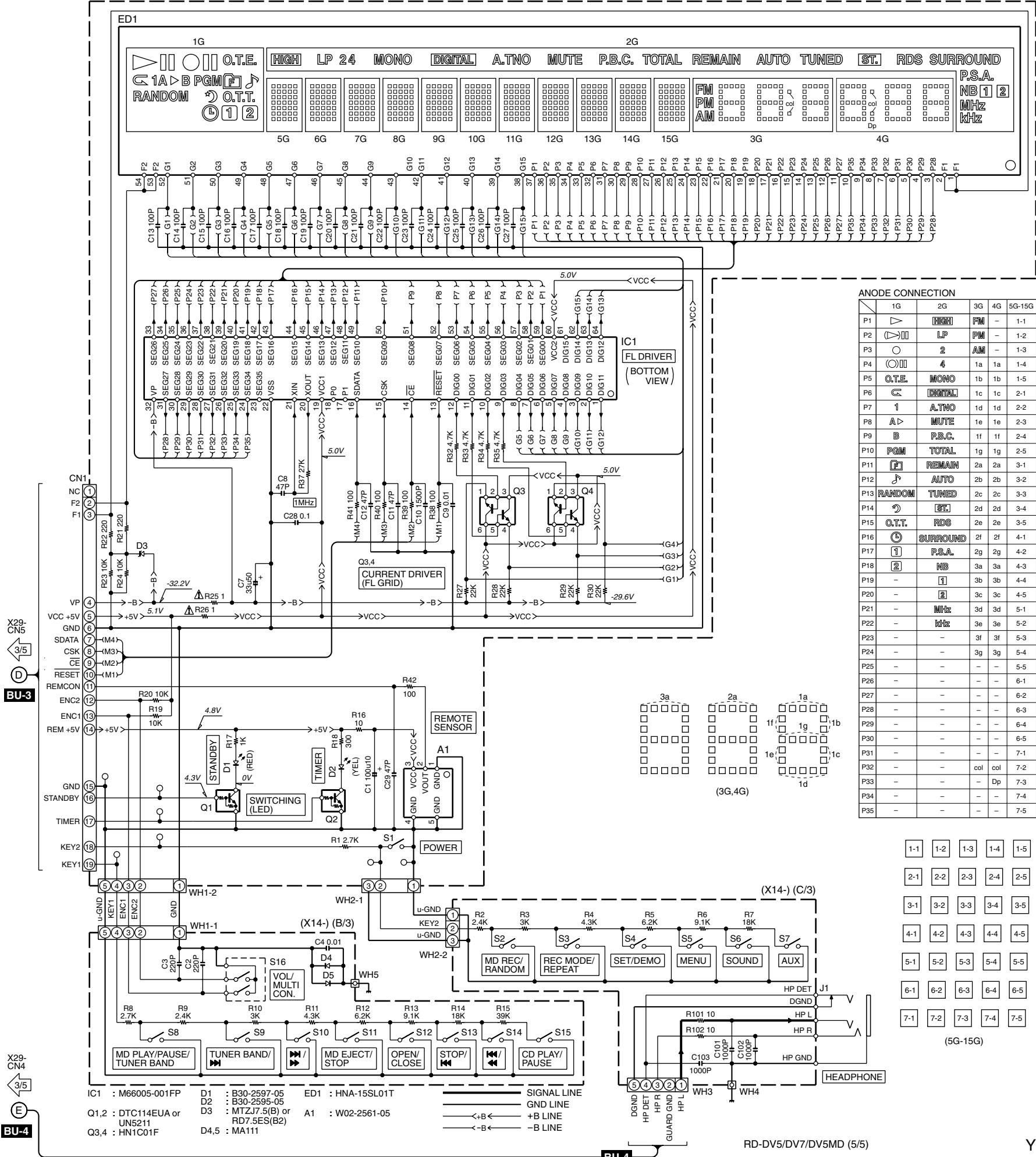
RD-DV5-S/DV7-L/DV5MD-S

Y39-3950-21

KENWOOD

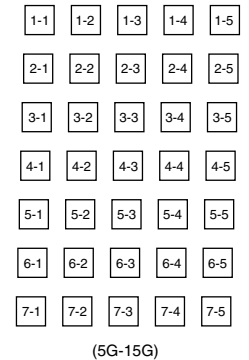
RD-DV5/DV7/DV5MD (4/5)

(X14-7330-00) (A/3)



ANODE CONNECTION

	1G	2G	3G	4G	5G-15G	
P1	▶	FM	FM	-	1-1	
P2	◀	LP	FM	-	1-2	
P3	○	2	AM	-	1-3	
P4	◻	4	1a	1a	1-4	
P5	◻	O.T.E.	MONO	1b	1b	1-5
P6	◻	1	DIGITAL	1c	1c	2-1
P7	◻	1	A.TNO	1d	1d	2-2
P8	▶	MUTE	1e	1e	2-3	
P9	◻	B	P.B.C.	1f	1f	2-4
P10	◻	PGM	TOTAL	1g	1g	2-5
P11	◻	F	REMAIN	2a	2a	3-1
P12	◻	AUTO	TUNED	2b	2b	3-2
P13	◻	RANDOM	1	2c	2c	3-3
P14	◻	O.T.T.	ST.	2d	2d	3-4
P15	◻	1	RDS	2e	2e	3-5
P16	◻	2	SURROUND	2f	2f	4-1
P17	◻	1	P.S.A.	2g	2g	4-2
P18	◻	2	NB	3a	3a	4-3
P19	◻	1	NB	3b	3b	4-4
P20	◻	2	NB	3c	3c	4-5
P21	◻	1	MHz	3d	3d	5-1
P22	◻	2	MHz	3e	3e	5-2
P23	◻	-	-	3f	3f	5-3
P24	◻	-	-	3g	3g	5-4
P25	◻	-	-	-	-	5-5
P26	◻	-	-	-	-	6-1
P27	◻	-	-	-	-	6-2
P28	◻	-	-	-	-	6-3
P29	◻	-	-	-	-	6-4
P30	◻	-	-	-	-	6-5
P31	◻	-	-	-	-	7-1
P32	◻	-	-	col	col	7-2
P33	◻	-	-	-	-	7-3
P34	◻	-	-	-	-	7-4
P35	◻	-	-	-	-	7-5



(5G-15G)

CAUTION: For continued safety, replace safety critical components only with manufacturer's recommended parts (refer to parts list). ⚠ indicates safety critical components. For continued protection against risk of fire, replace only with same type and rating fuse(s). To reduce the risk of electric shock, leakage-current or resistance measurements shall be carried out (exposed parts are acceptably insulated from the supply circuit) before the appliance is returned to the customer.

The DC voltage is an actual reading measured with a high impedance type voltmeter with no signal input. The measurement value may vary depending on the measuring instruments used or on the product.

RD-DV5-S/DV7-L/DV5MD-S

KENWOOD

RD-DV5/DV7/DV5MD (5/5)

Y39-3950-21

BU-3

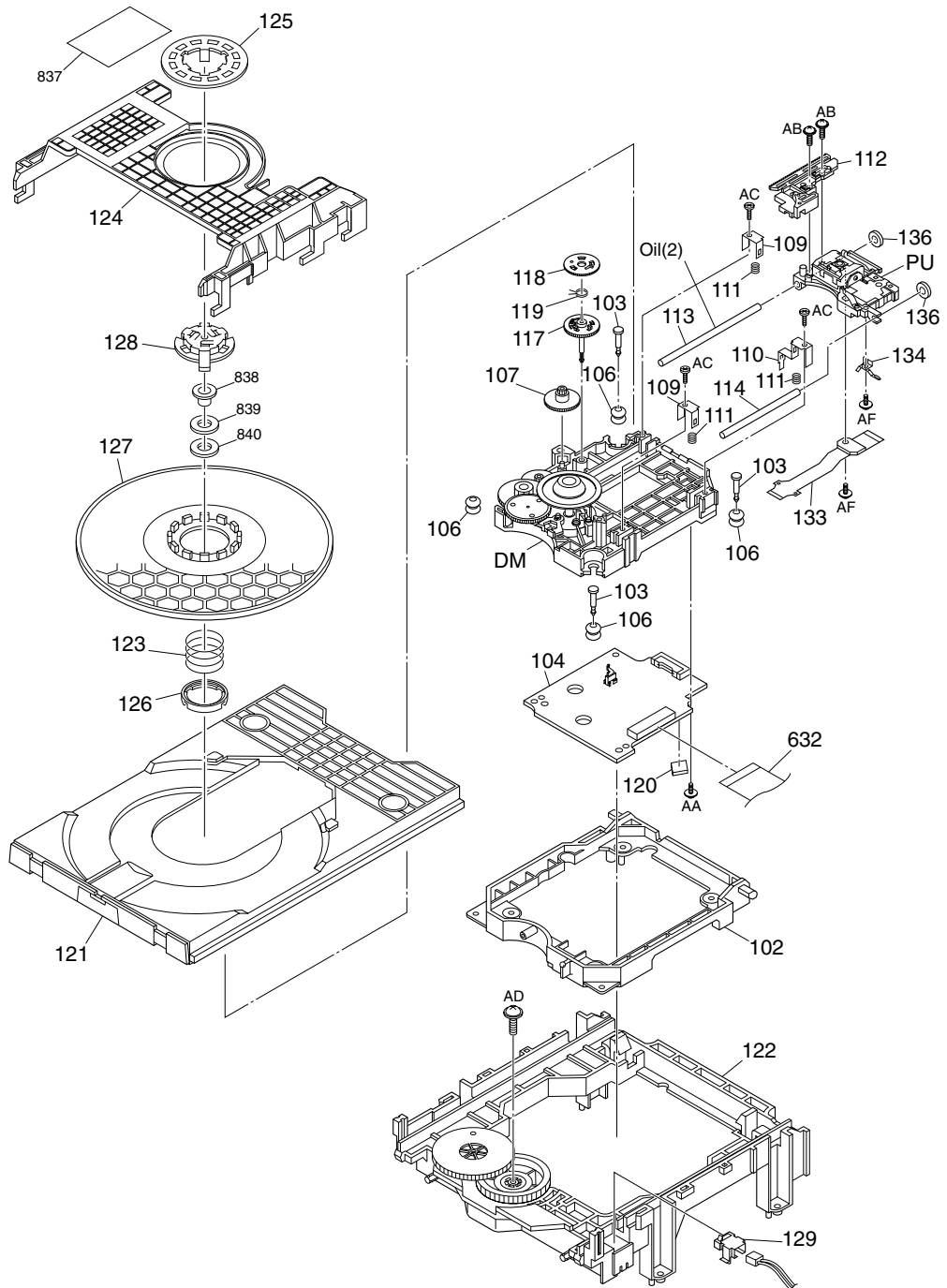
BU-4

BU-4

RD-DV5-S/DV7-L/DV5MD-S

EXPLODED VIEW(DVD MECHANISM)

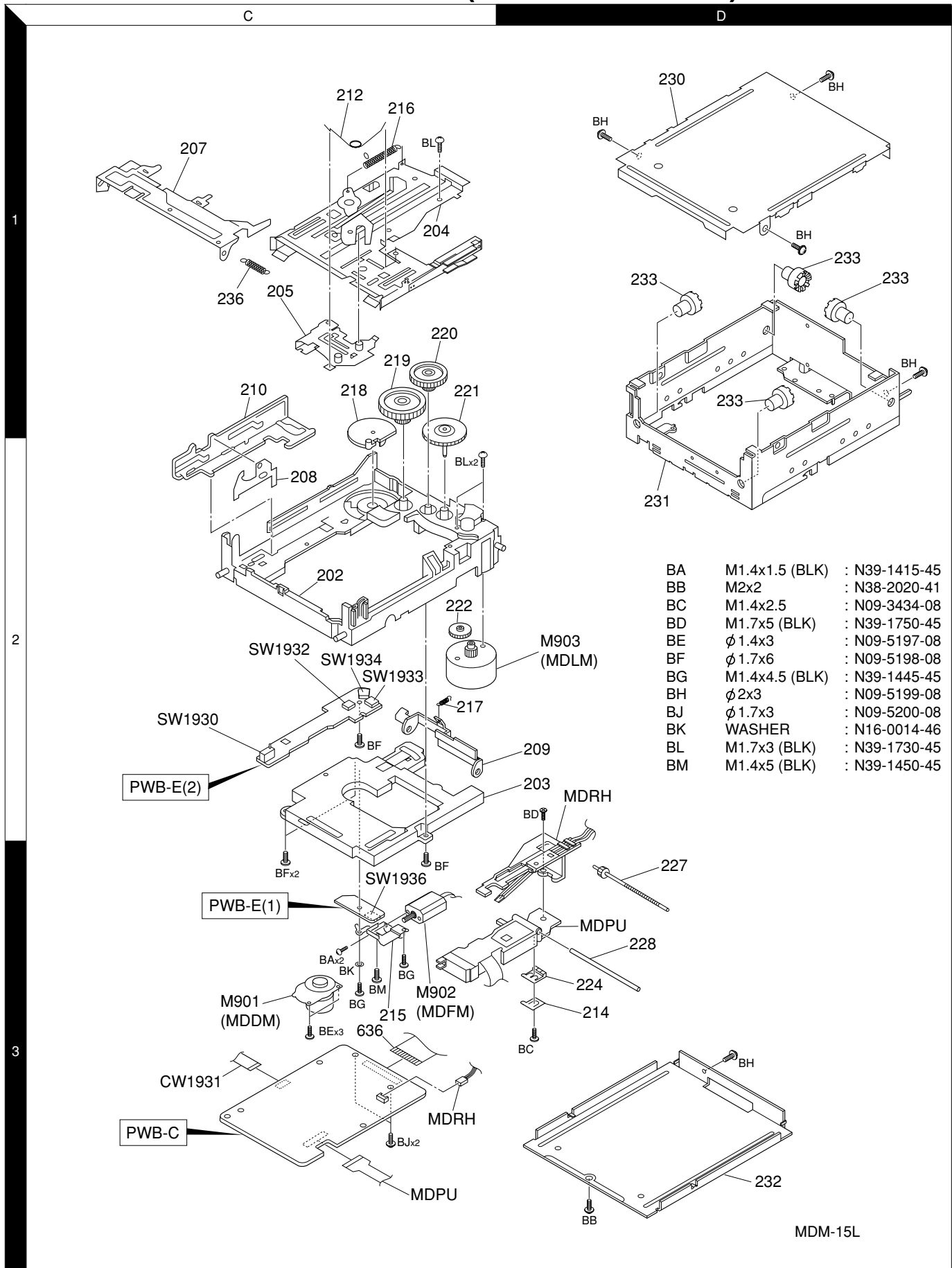
- AA $\phi 2 \times 8$: N09-5392-08
- AB M2x5 : N09-5393-08
- AC $\phi 2 \times 6$: N09-5162-08
- AD $\phi 3 \times 11$: N09-5394-08
- AF M1.5x4 : N09-3462-08



Parts with exploded numbers larger than 700 are not supplied.

RD-DV5-S/DV7-L/DV5MD-S

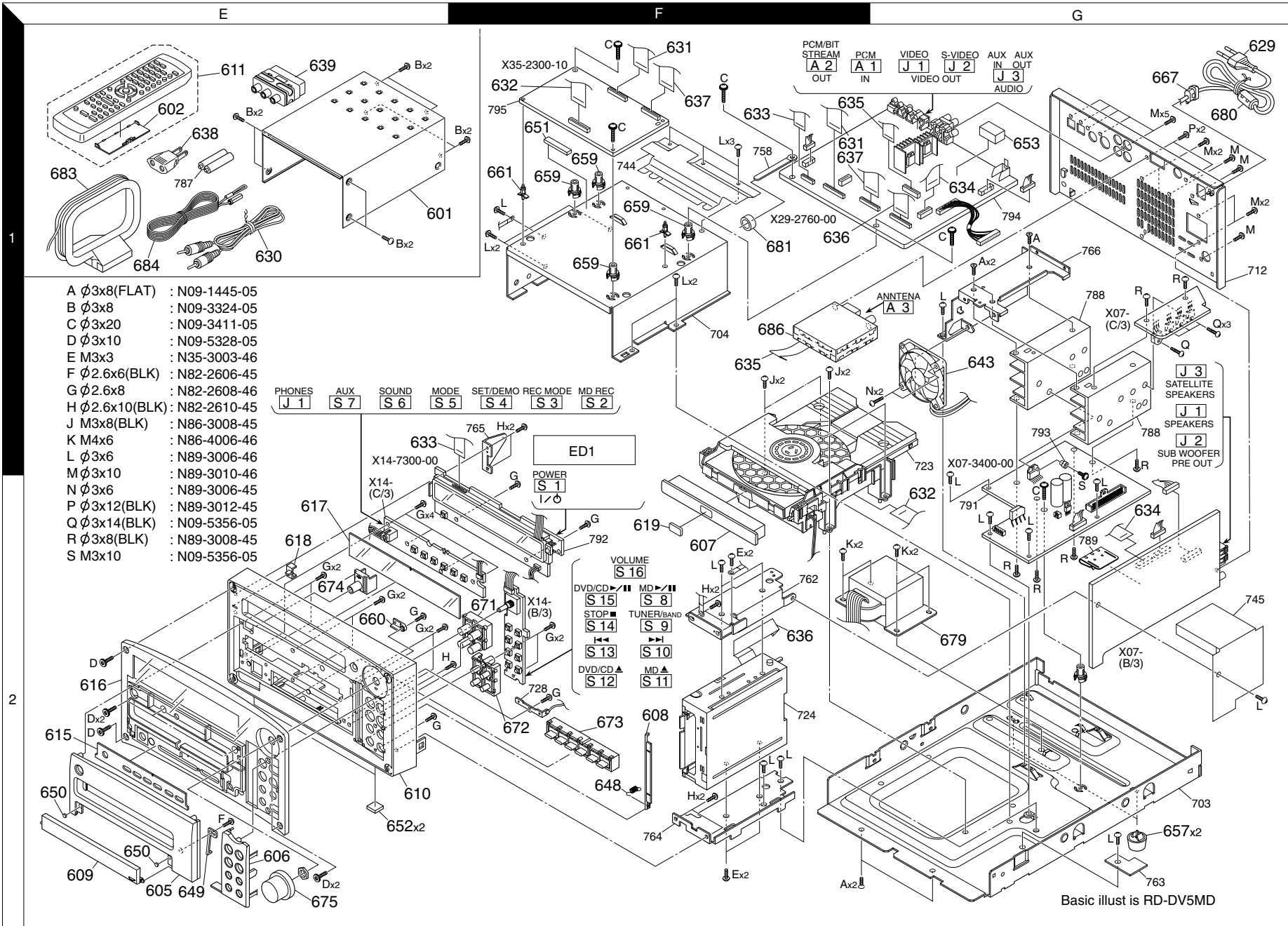
EXPLODED VIEW(MD MECHANISM)



EXPLODED VIEW(UNIT)

RD-DV5-S/DV7-L/DV5MD-S

Basic illust is RD-DV5MD



Parts with exploded numbers larger than 700 are not supplied.

* New Parts
 Parts without **Parts No.** are not supplied.
 Les articles non mentionnés dans le **Parts No.** ne sont pas fournis.
 Teile ohne **Parts No.** werden nicht geliefert.

①

Ref. No	Add-ress	New Parts	Parts No.	Description	Desti-nation	Re-marks
RD-DV5-S/RD-DV7-L/DV5MD-S						
601	1E	*	A01-3820-11	METALLIC CABINET		
602	1E	*	A09-1230-08	BATTERY COVER		
605	2E	*	A21-3948-11	DRESSING PANEL	TE	
605	2E	*	A21-3949-02	DRESSING PANEL	M	
605	2E	*	A21-3953-11	DRESSING PANEL	M2X2V2	
605	2E	*	A21-3954-11	DRESSING PANEL	T2E2	
606	2E	*	A21-3950-03	DRESSING PANEL	M	
607	2F	*	A29-1151-13	PANEL (DVD)		
608	2F	*	A29-1152-04	PANEL (MD)	M	
609	2E	*	A52-0936-03	DOOR		
610	2E	*	A60-2072-11	PANEL	MTE	
610	2E	*	A60-2073-11	PANEL	M2T2E2	
610	2E	*	A60-2073-11	PANEL	X2V2	
611	1E	*	A70-1521-05	REMOTE CONTROLLER ASSY	M	
611	1E	*	A70-1522-05	REMOTE CONTROLLER ASSY	TE	
611	1E	*	A70-1524-05	REMOTE CONTROLLER ASSY	M2X2V2	
611	1E	*	A70-1525-05	REMOTE CONTROLLER ASSY	T2E2	
615	2E	*	B03-3891-04	DRESSING PLATE	M	
615	2E	*	B03-3893-04	DRESSING PLATE	TE	
615	2E	*	B03-3894-04	DRESSING PLATE	M2T2E2	
615	2E	*	B03-3894-04	DRESSING PLATE	X2V2	
616	2E	*	B10-3713-21	FRONT GLASS	MTE	
616	2E	*	B10-3714-21	FRONT GLASS	M2T2E2	
616	2E	*	B10-3714-21	FRONT GLASS	X2V2	
617	2E	*	B11-1534-04	COLOR FILTER		
618	2E	*	B12-0426-04	INDICATOR		
619	2F	*	B43-0324-04	BADGE	MTE	
619	2F	*	B43-0325-04	BADGE	M2T2E2	
619	2F	*	B43-0325-04	BADGE	X2V2	
-	-	-	B46-0096-53	WARRANTY CARD	X2	
-	-	-	B46-0310-03	WARRANTY CARD	E2	
-	-	-	B46-0310-03	WARRANTY CARD	TET2	
-	-	*	B46-0344-03	WARRANTY CARD	V2	
-	-	*	B58-0965-13	CAUTION CARD (T,XtypePL)	TT2X2	
-	-	*	B58-0966-13	CAUTION CARD (ELMtypePL)	E2	
-	-	*	B58-0966-13	CAUTION CARD (ELMtypePL)	MEM2	
-	-	*	B58-1521-13	CAUTION CARD	V2	
-	-	*	B58-1546-03	CAUTION CARD	V2	
-	-	*	B60-5060-00	INSTRUCTION MANUAL (EN)	M	
-	-	*	B60-5061-00	INSTRUCTION MANUAL (TW)	M	
-	-	*	B60-5062-00	INSTRUCTION MANUAL (EN)	T	
-	-	*	B60-5064-00	INSTRUCTION MANUAL (GE)	E	
-	-	*	B60-5066-00	INSTRUCTION MANUAL (IT)	E	
-	-	*	B60-5069-00	INSTRUCTION MANUAL (EN)	M2T2X2	
-	-	*	B60-5070-00	INSTRUCTION MANUAL (TW)	M2	
-	-	*	B60-5119-00	INSTRUCTION MANUAL (GE)	E2	
-	-	*	B60-5121-00	INSTRUCTION MANUAL (IT)	E2	
-	-	*	B60-5123-00	INSTRUCTION MANUAL (SC)	V2	
△ 629	1G		E30-2790-05	AC POWER CORD	X2	

L : Scandinavia K : USA P : Canada R : Mexico C : China I : Malaysia
 Y : PX(Far East,Hawaii) T : England E : Europe G : Germany V : China(Shanghai)
 Y : AAFES(Europe) X : Australia Q : Russia H : Korea M : Other Areas △ indicates safety critical components .

* New Parts
 Parts without **Parts No.** are not supplied.
 Les articles non mentionnés dans le **Parts No.** ne sont pas fournis.
 Teile ohne **Parts No.** werden nicht geliefert.

②

Ref. No	Add-ress	New Parts	Parts No.	Description	Desti-nation	Re-marks
△ 629	1G		E30-2791-05	AC POWER CORD	TT2	
△ 629	1G	*	E30-2824-15	AC POWER CORD	V2	
△ 629	1G		E30-2842-05	AC POWER CORD	E2	
△ 629	1G		E30-2842-05	AC POWER CORD	MEM2	
630	1E	*	E30-7226-05	VIDEO CORD		
631	1F	*	E35-2875-05	FLAT CABLE		
632	1F,1G	*	E35-2876-05	FLAT CABLE		
633	1E,1F	*	E35-2877-05	FLAT CABLE		
634	1G,2G	*	E35-2878-05	FLAT CABLE	M	
634	1G,2G	*	E35-3147-05	FLAT CABLE	TEM2V2	
634	1G,2G	*	E35-3147-05	FLAT CABLE	T2E2X2	
635	1G,2G	*	E35-2879-05	FLAT CABLE		
636	1F,2F	*	E35-2880-05	FLAT CABLE	M	
637	1F	*	E35-2964-05	FLAT CABLE		
△ 638	1E		E03-0115-05	AC PLUG ADAPTER	MM2	
△ 639		*	E69-0012-05	ADAPTER (SCAT PLUG ADAPTER)	TET2E2	
643	1G	*	F09-0160-05	FAN		
648	2F	*	G01-4273-04	EXTENSION SPRING	M	
649	2E	*	G02-1737-04	FLAT SPRING		
650	2E	*	G11-2719-04	CUSHION		
651	1F	*	G11-2730-04	SOFT TAPE		
652	2E	*	G11-2807-04	CUSHION		
653	1G	*	G11-2840-04	SOFT TAPE	MTE	
-	-	*	H10-7759-02	POLYSTYRENE FOAMED FIXTURE(F)	V2	
-	-	*	H10-7760-12	POLYSTYRENE FOAMED FIXTURE(R)	V2	
-	-	*	H10-7778-02	POLYSTYRENE FOAMED FIXTURE(F)	TEMM2	
-	-	*	H10-7778-02	POLYSTYRENE FOAMED FIXTURE(F)	T2E2X2	
-	-	*	H10-7778-02	POLYSTYRENE FOAMED FIXTURE(R)	TEM2	
-	-	*	H10-7779-02	POLYSTYRENE FOAMED FIXTURE(R)	T2E2X2	
-	-	*	H20-0581-04	PROTECTION COVER	MM2	
-	-	*	H25-0693-04	PROTECTION BAG	E2X2V2	
-	-	*	H25-0693-04	PROTECTION BAG	TET2	
-	-	*	H25-1642-04	PROTECTION BAG		
-	-	*	H50-4160-04	ITEM CARTON CASE	M	
-	-	*	H50-4161-04	ITEM CARTON CASE	E	
-	-	*	H50-4163-04	ITEM CARTON CASE	M2	
-	-	*	H50-4164-04	ITEM CARTON CASE	E2	
-	-	*	H50-4165-04	ITEM CARTON CASE	T2X2	
-	-	*	H50-4167-04	ITEM CARTON CASE	T	
657	2G		J02-0366-15	FOOT		
659	1F		J19-6002-04	UNIT HOLDER		
660	2E	*	J19-6218-04	HOLDER	M	
△ 667	1G		J42-0083-05	POWER CORD BUSHING		
-	-		J61-0307-05	WIRE BAND		
671	2F	*	K29-7997-03	KNOB		
672	2F	*	K29-7998-03	KNOB	MTE	
672	2F	*	K29-8005-03	KNOB	M2T2E2	
672	2F	*	K29-8005-03	KNOB	X2V2	
673	2F	*	K29-7999-03	KNOB		
674	2E	*	K29-8000-04	KNOB	MTE	
674	2E	*	K29-8006-04	KNOB	M2T2E2	

L : Scandinavia K : USA P : Canada R : Mexico C : China I : Malaysia
 Y : PX(Far East,Hawaii) T : England E : Europe G : Germany V : China(Shanghai)
 Y : AAFES(Europe) X : Australia Q : Russia H : Korea M : Other Areas △ indicates safety critical components .

PARTS LIST

RD-DV5-S/DV7-L/DV5MD-S

* New Parts
Parts without **Parts No.** are not supplied.
Les articles non mentionnés dans le **Parts No.** ne sont pas fournis.
Teile ohne **Parts No.** werden nicht geliefert.

③

* New Parts
Parts without **Parts No.** are not supplied.
Les articles non mentionnés dans le **Parts No.** ne sont pas fournis.
Teile ohne **Parts No.** werden nicht geliefert.

④

Ref. No	Address	New Parts	Parts No.	Description	Destination	Remarks
674	2E	*	K29-8006-04	KNOB	X2V2	
675	2E	*	K29-8001-14	KNOB		
△679	2G	*	L07-3105-05	POWER TRANSFORMER	M	
△679	2G	*	L07-3106-05	POWER TRANSFORMER	M2X2	
△679	2G	*	L07-3107-05	POWER TRANSFORMER	TE	
△679	2G	*	L07-3108-05	POWER TRANSFORMER	T2E2	
△679	2G	*	L07-3109-05	POWER TRANSFORMER	V2	
680	1G	*	L92-0542-05	FERRITE CORE		
681	1F	*	L92-0543-05	FERRITE CORE		
683	1E		T90-0852-05	LOOP ANTENNA		
684	1E		T90-0855-05	LEAD WIRE ANTENNA		
686	1F		W02-2762-05	TUNER ASSY	E2	
686	1F		W02-2762-05	TUNER ASSY	TET2	
686	1F		W02-2783-05	TUNER ASSY	MM2X2	
686	1F		W02-2783-05	TUNER ASSY	V2	
661	1F	*	J19-6226-05	UNIT HOLDER		
POWER AMPLIFIER UNIT (X07-340/343)						
C1 ,2			CK73EB1C225K	CHIP C	2.2UF	K
C3 ,4			CC73GCH1H102J	CHIP C	1000PF	J
C5 ,6			CE04KW1H100M	ELECTRO	10UF	50WV
C5 ,6			CE04KW1H4R7M	ELECTRO	4.7UF	50WV
C5 ,6			CE04KW1H4R7M	ELECTRO	4.7UF	50WV
C7 ,8			CC73GCH1H471J	CHIP C	470PF	J
C9 ,10			CK73GB1H472K	CHIP C	4700PF	K
C11 ,12			CC73GCH1H100D	CHIP C	10PF	D
C11 ,12			CC73GCH1H100D	CHIP C	10PF	D
C11 ,12			CC73GCH1H470J	CHIP C	47PF	J
C13 ,14			CC73GCH1H100D	CHIP C	10PF	D
C15 ,16			CC73GCH1H561J	CHIP C	560PF	J
C17 ,18			CC73GCH1H470J	CHIP C	47PF	J
C19			CQ93FMG1H683J	MYLAR	0.068UF	J
C19			CQ93FMG1H683J	MYLAR	0.068UF	J
C20			CE04KW1H010M	ELECTRO	1.0UF	50WV
C20			CE04KW1H4R7M	ELECTRO	4.7UF	50WV
C20			CE04KW1H4R7M	ELECTRO	4.7UF	50WV
C21			CQ93FMG1H184J	MYLAR	0.18UF	J
C22			CE04KW1H010M	ELECTRO	1.0UF	50WV
C23 -26			CC73GCH1H561J	CHIP C	560PF	J
C27			CC73GCH1H471J	CHIP C	470PF	J
C27			CC73GCH1H471J	CHIP C	470PF	J
C51			CK73EB1C225K	CHIP C	2.2UF	K
C51			CK73EB1C225K	CHIP C	2.2UF	K
C53			CK73GF1H223Z	CHIP C	0.022UF	Z
C53			CK73GF1H223Z	CHIP C	0.022UF	Z
C55			CE04KW1E470M	ELECTRO	47UF	25WV
C55			CE04KW1E470M	ELECTRO	47UF	25WV
C57			CC73GCH1H471J	CHIP C	470PF	J
C57			CC73GCH1H471J	CHIP C	470PF	J
C59 ,60			CK73GB1H472K	CHIP C	4700PF	K
C59 ,60			CK73GB1H472K	CHIP C	4700PF	K
C61 ,62			CC73GCH1H101J	CHIP C	100PF	J
C61 ,62			CC73GCH1H101J	CHIP C	100PF	J

L : Scandinavia K : USA P : Canada R : Mexico C : China I : Malaysia
Y : PX(Far East,Hawaii) T : England E : Europe G : Germany V : China(Shanghai)
Y : AAFES(Europe) X : Australia Q : Russia H : Korea M : Other Areas △ indicates safety critical components .

Ref. No	Address	New Parts	Parts No.	Description	Destination	Remarks
C63			CC73GCH1H100D	CHIP C	10PF	D
C63			CC73GCH1H100D	CHIP C	10PF	D
C80			CC73GCH1H100D	CHIP C	10PF	D
C80			CC73GCH1H100D	CHIP C	10PF	D
C81			CC73GCH1H102J	CHIP C	1000PF	J
C81			CC73GCH1H102J	CHIP C	1000PF	J
C82			CE04KW1A101M	ELECTRO	100UF	10WV
C82			CE04KW1A101M	ELECTRO	100UF	10WV
C101			CK73EB1C225K	CHIP C	2.2UF	K
C101			CK73EB1C225K	CHIP C	2.2UF	K
C102			CC73GCH1H102J	CHIP C	1000PF	J
C102			CC73GCH1H102J	CHIP C	1000PF	J
C103			CE04KW1H4R7M	ELECTRO	4.7UF	50WV
C103			CE04KW1H4R7M	ELECTRO	4.7UF	50WV
C104			CC73GCH1H471J	CHIP C	470PF	J
C104			CC73GCH1H471J	CHIP C	470PF	J
C105			CK73GB1H472K	CHIP C	4700PF	K
C105			CK73GB1H472K	CHIP C	4700PF	K
C106,107			CC73GCH1H100D	CHIP C	10PF	D
C106,107			CC73GCH1H100D	CHIP C	10PF	D
C202			CE04PW1H100M	ELECTRO	10UF	50WV
C203			CK73GB1H222K	CHIP C	2200PF	K
C204			CK73GB1H103K	CHIP C	0.010UF	K
C205			CE04PW1H100M	ELECTRO	10UF	50WV
C206			CE04RW0J100M	ELECTRO	10UF	6.3WV
C207			CK73GB1H222K	CHIP C	2200PF	K
C208			CK73GB1H103K	CHIP C	0.010UF	K
C209			CE04PW1H100M	ELECTRO	10UF	50WV
C210			CQ93FMG1H103J	MYLAR	0.010UF	J
C211		*	CE04PW1E221M	ELECTRO	220UF	25WV
C212			CE04KW1E222M	ELECTRO	2200UF	25WV
C213			CE04KW1E471M	ELECTRO	470UF	25WV
C214,215			CE04KW1H331M	ELECTRO	330UF	50WV
C216			CE04KW2A101M	ELECTRO	100UF	100WV
C217,218			CE04PW1H100M	ELECTRO	10UF	50WV
C219			CC73GCH1H102J	CHIP C	1000PF	J
C220			CK73GB1H103K	CHIP C	0.010UF	K
C221			CE04HW1E100M	NP-ELEC	10UF	25WV
C251		*	C90-5721-05	ELECTRO	2700UF	25WV
C251		*	C90-5721-05	ELECTRO	2700UF	25WV
C251,252		*	C90-5723-05	ELECTRO	3300UF	35WV
C252		*	C90-5723-05	ELECTRO	3300UF	35WV
C252		*	C90-5735-05	ALMINIUM ELEC	TROLYTIC	C.
C253-256			C91-1567-05	FILM	0.1UF	J
C301-304			CQ93FMG1H224J	MYLAR	0.22UF	J
C305,306			CK73GB1H472K	CHIP C	4700PF	K
C305,306			CK73GB1H562K	CHIP C	5600PF	K
C307,308			CK73GB1H472K	CHIP C	4700PF	K
C307,308			CK73GB1H472K	CHIP C	4700PF	K
C351-354			CQ93FMG1H224J	MYLAR	0.22UF	J
C351-354			CQ93FMG1H224J	MYLAR	0.22UF	J
C355,356			CK73GB1H472K	CHIP C	4700PF	K
C355,356			CK73GB1H472K	CHIP C	4700PF	K
C401,402			CQ93FMG1H224J	MYLAR	0.22UF	J
C401,402			CQ93FMG1H224J	MYLAR	0.22UF	J

L : Scandinavia K : USA P : Canada R : Mexico C : China I : Malaysia
Y : PX(Far East,Hawaii) T : England E : Europe G : Germany V : China(Shanghai)
Y : AAFES(Europe) X : Australia Q : Russia H : Korea M : Other Areas △ indicates safety critical components .

* New Parts
 Parts without **Parts No.** are not supplied.
 Les articles non mentionnés dans le **Parts No.** ne sont pas fournis.
 Teile ohne **Parts No.** werden nicht geliefert.

5

Ref. No	Address	New Parts	Parts No.	Description	Destination	Remarks
C403			CK73GB1H472K	CHIP C 4700PF	K	M2T2E2
C403			CK73GB1H472K	CHIP C 4700PF	K	X2V2
C502			CK45FF1H103Z	CERAMIC 0.010UF	Z	
C503			C91-1567-05	FILM 0.1UF	J	
C504,505			CQ93FMG1H103J	MYLAR 0.010UF	J	
C506			CK73GF1H223Z	CHIP C 0.022UF	Z	
C507			CQ93FMG1H103J	MYLAR 0.010UF	J	
C508			CE04KW1E472M	ELECTRO 4700UF	25WV	
C509			CE04KW1E222M	ELECTRO 2200UF	25WV	
C510			CE04KW1E102M	ELECTRO 1000UF	25WV	
C511			GE04KW1E332M	ELECTRO 3300UF	25WV	
C512			CK73GB1H103K	CHIP C 0.010UF	K	
C513			CE04KW1H010M	ELECTRO 1.0UF	50WV	
C514			CE04RW0J470M	ELECTRO 47UF	6.3WV	
C515			CE04RW1A101M	ELECTRO 100UF	10WV	
C516			CK73FF1C225Z	CHIP C 2.2UF	Z	
C517			CE04KW1C332M	ELECTRO 3300UF	16WV	
C518			CE04PW1E470M	ELECTRO 47UF	25WV	
C519			CK73GF1H223Z	CHIP C 0.022UF	Z	
C520			CK73GB1H103K	CHIP C 0.010UF	K	
C521			CK73GB1H472K	CHIP C 4700PF	K	MTE
C522			CK73FB1H563K	CHIP C 0.056UF	K	
C523			CE04RW1H2R2M	ELECTRO 2.2UF	50WV	
C524			CE04RW0G101M	ELECTRO 100UF	4.0WV	
C601			CC73GCH1H102J	CHIP C 1000PF	J	
C603			CQ93FMG1H104J	MYLAR 0.10UF	J	
C604			CE04KW1E470M	ELECTRO 47UF	25WV	MTE
C604			CE04PW1E470M	ELECTRO 47UF	25WV	M2T2E2
C604			CE04PW1E470M	ELECTRO 47UF	25WV	X2V2
C605			CQ93FMG1H104J	MYLAR 0.10UF	J	
C606			GE04KW1E470M	ELECTRO 47UF	25WV	MTE
C606			CE04PW1E470M	ELECTRO 47UF	25WV	M2T2E2
C606			CE04PW1E470M	ELECTRO 47UF	25WV	X2V2
C607			CQ93FMG1H104J	MYLAR 0.10UF	J	M
C608			CE04PW1E470M	ELECTRO 47UF	25WV	M
C701		*	C91-1643-05	MF-C 6800PF	J	
C702,703			C91-1565-05	CERAMIC 1000PF	250VAC	
CN1 ,2			E40-4245-05	PIN ASSY		
CN3			E40-3240-05	PIN ASSY		
CN4			E40-5066-05	PIN ASSY		
CN5			E40-3246-05	PIN ASSY		
CN12			E40-4669-05	PIN ASSY		
CN14			E40-4671-05	SOCKET FOR PIN ASSY		
CN16			E40-3254-05	PIN ASSY		TEM2V2
CN16			E40-3254-05	PIN ASSY		T2E2X2
CN16			E40-3257-05	PIN ASSY		M
CN17			E40-4900-05	FLAT CABLE CONNECTOR		
CN18			E40-3259-05	PIN ASSY		
J1		*	E70-0148-05	LOCK TERMINAL BOARD		MTE
J2			E63-1162-05	PIN JACK		MTE
J3		*	E56-0036-05	CYLINDRICAL RECEPTACLE		M2T2E2
J3		*	E56-0036-05	CYLINDRICAL RECEPTACLE		X2V2
J4		*	E70-0146-05	LOCK TERMINAL BOARD		M2T2E2
J4		*	E70-0146-05	LOCK TERMINAL BOARD		X2V2

L : Scandinavia K : USA P : Canada R : Mexico C : China I : Malaysia
 Y : PX(Far East,Hawaii) T : England E : Europe G : Germany V : China(Shanghai)
 Y : AAFES(Europe) X : Australia Q : Russia H : Korea M : Other Areas Δ indicates safety critical components .

* New Parts
 Parts without **Parts No.** are not supplied.
 Les articles non mentionnés dans le **Parts No.** ne sont pas fournis.
 Teile ohne **Parts No.** werden nicht geliefert.

6

Ref. No	Address	New Parts	Parts No.	Description	Destination	Remarks
F1			F06-1022-05	FUSE (SEMKO) (250V T1AL)		
CN6 ,7			J13-0075-05	FUSE CLIP		
E1 ,2			J11-0809-05	WIRE CLAMPER		
T1			L07-2858-05	POWER TRANSFORMER		
R1 ,2			RK73GB1J223J	CHIP R 22K	J 1/16W	
R3 -6			RK73GB1J222J	CHIP R 2.2K	J 1/16W	
R7 ,8			RK73GB1J203J	CHIP R 20K	J 1/16W	
R9 ,10			RK73GB1J102J	CHIP R 1.0K	J 1/16W	
R11 ,12			RK73GB1J361J	CHIP R 360	J 1/16W	MTE
R11 ,12			RK73GB1J561J	CHIP R 560	J 1/16W	M2T2E2
R11 ,12			RK73GB1J561J	CHIP R 560	J 1/16W	X2V2
R13 ,14			RK73GB1J471J	CHIP R 470	J 1/16W	
R15 ,16			RK73GB1J203J	CHIP R 20K	J 1/16W	
R17 ,18			RK73GB1J103J	CHIP R 10K	J 1/16W	
R19 ,20			RK73GB1J102J	CHIP R 1.0K	J 1/16W	
R21 ,22			RS14KB3DR22J	FL-PROOF RS 0.22	J 2W	
R23 ,24			RK73GB1J102J	CHIP R 1.0K	J 1/16W	
R25 ,26			RK73GB1J224J	CHIP R 220K	J 1/16W	
R27			RK73GB1J163J	CHIP R 16K	J 1/16W	MTE
R27			RK73GB1J472J	CHIP R 4.7K	J 1/16W	M2T2E2
R27			RK73GB1J472J	CHIP R 4.7K	J 1/16W	X2V2
R28			RK73GB1J510J	CHIP R 51	J 1/16W	
R29			RK73GB1J332J	CHIP R 3.3K	J 1/16W	
R51			RK73GB1J223J	CHIP R 22K	J 1/16W	M2T2E2
R53			RK73GB1J472J	CHIP R 4.7K	J 1/16W	X2V2
R53			RK73GB1J472J	CHIP R 4.7K	J 1/16W	X2V2
R55			RK73GB1J222J	CHIP R 2.2K	J 1/16W	M2T2E2
R55			RK73GB1J222J	CHIP R 2.2K	J 1/16W	X2V2
R57			RK73GB1J203J	CHIP R 20K	J 1/16W	M2T2E2
R57			RK73GB1J203J	CHIP R 20K	J 1/16W	X2V2
R59			RK73GB1J102J	CHIP R 1.0K	J 1/16W	M2T2E2
R59			RK73GB1J102J	CHIP R 1.0K	J 1/16W	X2V2
R61			RK73GB1J361J	CHIP R 360	J 1/16W	M2T2E2
R61			RK73GB1J361J	CHIP R 360	J 1/16W	X2V2
R63			RK73GB1J471J	CHIP R 470	J 1/16W	M2T2E2
R63			RK73GB1J471J	CHIP R 470	J 1/16W	X2V2
R65			RK73GB1J203J	CHIP R 20K	J 1/16W	M2T2E2
R65			RK73GB1J203J	CHIP R 20K	J 1/16W	X2V2
R67 ,68			RK73GB1J103J	CHIP R 10K	J 1/16W	M2T2E2
R67 ,68			RK73GB1J103J	CHIP R 10K	J 1/16W	X2V2
R69 ,70			RK73GB1J102J	CHIP R 1.0K	J 1/16W	M2T2E2
R69 ,70			RK73GB1J102J	CHIP R 1.0K	J 1/16W	X2V2
R71 ,72			RS14KB3DR22J	FL-PROOF RS 0.22	J 2W	M2T2E2
R71 ,72			RS14KB3DR22J	FL-PROOF RS 0.22	J 2W	X2V2
R73 ,74			RK73GB1J102J	CHIP R 1.0K	J 1/16W	M2T2E2
R73 ,74			RK73GB1J102J	CHIP R 1.0K	J 1/16W	X2V2
R80			RK73GB1J361J	CHIP R 360	J 1/16W	M2T2E2
R80			RK73GB1J361J	CHIP R 360	J 1/16W	X2V2
R81 ,82			RK73GB1J203J	CHIP R 20K	J 1/16W	M2T2E2
R81 ,82			RK73GB1J203J	CHIP R 20K	J 1/16W	X2V2
R84			RK73GB1J1R0J	CHIP R 1	J 1/16W	M2T2E2
R84			RK73GB1J1R0J	CHIP R 1	J 1/16W	X2V2

L : Scandinavia K : USA P : Canada R : Mexico C : China I : Malaysia
 Y : PX(Far East,Hawaii) T : England E : Europe G : Germany V : China(Shanghai)
 Y : AAFES(Europe) X : Australia Q : Russia H : Korea M : Other Areas Δ indicates safety critical components .

PARTS LIST

RD-DV5-S/DV7-L/DV5MD-S

* New Parts
Parts without **Parts No.** are not supplied.
Les articles non mentionnés dans le **Parts No.** ne sont pas fournis.
Teile ohne **Parts No.** werden nicht geliefert.

⑦

Ref. No	Add-ress	New Parts	Parts No.	Description	Desti-nation	Re-marks
R86			RK73GB1J203J	CHIP R 20K J 1/16W	M2T2E2	
R86			RK73GB1J203J	CHIP R 20K J 1/16W	X2V2	
R101			RK73GB1J223J	CHIP R 22K J 1/16W	M2T2E2	
R101			RK73GB1J223J	CHIP R 22K J 1/16W	X2V2	
R102,103			RK73GB1J222J	CHIP R 2.2K J 1/16W	M2T2E2	
R102,103			RK73GB1J222J	CHIP R 2.2K J 1/16W	X2V2	
R104			RK73GB1J203J	CHIP R 20K J 1/16W	M2T2E2	
R104			RK73GB1J203J	CHIP R 20K J 1/16W	X2V2	
R105			RK73GB1J102J	CHIP R 1.0K J 1/16W	M2T2E2	
R105			RK73GB1J102J	CHIP R 1.0K J 1/16W	X2V2	
R106			RK73GB1J361J	CHIP R 360 J 1/16W	M2T2E2	
R106			RK73GB1J361J	CHIP R 360 J 1/16W	X2V2	
R107			RK73GB1J471J	CHIP R 470 J 1/16W	M2T2E2	
R107			RK73GB1J471J	CHIP R 470 J 1/16W	X2V2	
R108			RK73GB1J203J	CHIP R 20K J 1/16W	M2T2E2	
R108			RK73GB1J203J	CHIP R 20K J 1/16W	X2V2	
R109			RK73GB1J103J	CHIP R 10K J 1/16W	M2T2E2	
R109			RK73GB1J103J	CHIP R 10K J 1/16W	X2V2	
R110			RK73GB1J102J	CHIP R 1.0K J 1/16W	M2T2E2	
R110			RK73GB1J102J	CHIP R 1.0K J 1/16W	X2V2	
R111			RS14KB3DR22J	FL-PROOF RS 0.22 J 2W	M2T2E2	
R111			RS14KB3DR22J	FL-PROOF RS 0.22 J 2W	X2V2	
R112			RK73GB1J102J	CHIP R 1.0K J 1/16W	M2T2E2	
R112			RK73GB1J102J	CHIP R 1.0K J 1/16W	X2V2	
R151			RK73GB1J472J	CHIP R 4.7K J 1/16W		
R152			RK73GB1J272J	CHIP R 2.7K J 1/16W		
R153			RK73GB1J242J	CHIP R 2.4K J 1/16W		
R155			RK73GB1J472J	CHIP R 4.7K J 1/16W		
R202			RS14KB3A222J	FL-PROOF RS 2.2K J 1W		
R204			RK73GB1J472J	CHIP R 4.7K J 1/16W		
△ R208			RK73GB1J2R2J	CHIP R 2.2 J 1/16W		
R209,210			RK73GB1J103J	CHIP R 10K J 1/16W		
R212			RK73GB1J472J	CHIP R 4.7K J 1/16W		
R213			RK73GB1J224J	CHIP R 220K J 1/16W		
△ R214			RD14NB2E4R7J	RD 4.7 J 1/4W		
R217			RK73GB1J472J	CHIP R 4.7K J 1/16W		
R219,220			RK73GB1J103J	CHIP R 10K J 1/16W		
R221			RK73GB1J102J	CHIP R 1.0K J 1/16W		
R222			RK73GB1J472J	CHIP R 4.7K J 1/16W		
R223			RK73GB1J4R7J	CHIP R 4.7 J 1/16W		
R251-253			RK73GB1J472J	CHIP R 4.7K J 1/16W	M2T2E2	
R251-253			RK73GB1J472J	CHIP R 4.7K J 1/16W	X2V2	
R251-253			RK73GB1J473J	CHIP R 47K J 1/16W	MTE	
R301,302			RS14KB3A2R7J	FL-PROOF RS 2.7 J 1W		
R303,304			RK73GB1J103J	CHIP R 10K J 1/16W	M2T2E2	
R303,304			RK73GB1J473J	CHIP R 47K J 1/16W	X2V2	
R305,306			RK73GB1J682J	CHIP R 6.8K J 1/16W	MTE	
R307,308			RS14KB3A331J	FL-PROOF RS 330 J 1W		
R351,352			RS14KB3A2R7J	FL-PROOF RS 2.7 J 1W	M2T2E2	
R351,352			RS14KB3A2R7J	FL-PROOF RS 2.7 J 1W	X2V2	
R353,354			RK73GB1J103J	CHIP R 10K J 1/16W	M2T2E2	
R353,354			RK73GB1J103J	CHIP R 10K J 1/16W	X2V2	
R355,356			RK73GB1J682J	CHIP R 6.8K J 1/16W	M2T2E2	
R355,356			RK73GB1J682J	CHIP R 6.8K J 1/16W	X2V2	

L : Scandinavia K : USA P : Canada R : Mexico C : China I : Malaysia
Y : PX(Far East,Hawaii) T : England E : Europe G : Germany V : China(Shanghai)
Y : AAFES(Europe) X : Australia Q : Russia H : Korea M : Other Areas △ indicates safety critical components .

* New Parts
Parts without **Parts No.** are not supplied.
Les articles non mentionnés dans le **Parts No.** ne sont pas fournis.
Teile ohne **Parts No.** werden nicht geliefert.

⑧

Ref. No	Add-ress	New Parts	Parts No.	Description	Desti-nation	Re-marks
R401			RS14KB3A2R7J	FL-PROOF RS 2.7 J 1W	M2T2E2	
R401			RS14KB3A2R7J	FL-PROOF RS 2.7 J 1W	X2V2	
R402			RK73GB1J103J	CHIP R 10K J 1/16W	M2T2E2	
R402			RK73GB1J103J	CHIP R 10K J 1/16W	X2V2	
R403			RK73GB1J682J	CHIP R 6.8K J 1/16W	M2T2E2	
R403			RK73GB1J682J	CHIP R 6.8K J 1/16W	X2V2	
R504			RK73GB1J821J	CHIP R 820 J 1/16W	MTE	
R506			RK73GB1J103J	CHIP R 10K J 1/16W		
R513			RK73GB1J1R0J	CHIP R 1 J 1/16W		
R514			RN14BK2C3300F	RN 330 F 1/6W		
R515			RN14BK2C1001F	RN 1.00K F 1/6W		
R516			RK73GB1J102J	CHIP R 1.0K J 1/16W		
R517			RK73GB1J102J	CHIP R 1.0K J 1/16W	M2T2E2	
R517			RK73GB1J102J	CHIP R 1.0K J 1/16W	X2V2	
R517			RK73GB1J103J	CHIP R 10K J 1/16W	MTE	
R518			RK73GB1J223J	CHIP R 22K J 1/16W		
R519			RK73GB1J103J	CHIP R 10K J 1/16W		
R520			RK73GB1J102J	CHIP R 1.0K J 1/16W		
R521			RK73GB1J105J	CHIP R 1.0M J 1/16W		
R522			RK73GB1J334J	CHIP R 330K J 1/16W		
R523			RK73GB1J104J	CHIP R 100K J 1/16W		
R524			RS14KB3A221J	FL-PROOF RS 220 J 1W		
R525			RS14KB3D220J	FL-PROOF RS 22 J 2W		
R526			RK73GB1J472J	CHIP R 4.7K J 1/16W		
R527			RK73GB1J473J	CHIP R 47K J 1/16W		
△ R528			RS14KB3A470J	FL-PROOF RS 47 J 1W		
R529			RK73GB1J473J	CHIP R 47K J 1/16W		
R530			RK73GB1J472J	CHIP R 4.7K J 1/16W		
R531			RK73GB1J473J	CHIP R 47K J 1/16W	M2T2E2	
R531			RK73GB1J473J	CHIP R 47K J 1/16W	X2V2	
R532			RK73GB1J472J	CHIP R 4.7K J 1/16W	M2T2E2	
R532			RK73GB1J472J	CHIP R 4.7K J 1/16W	X2V2	
R533			RK73GB1J104J	CHIP R 100K J 1/16W		
R534			RS14KB3A560J	FL-PROOF RS 56 J 1W	M2T2E2	
R534			RS14KB3A560J	FL-PROOF RS 56 J 1W	X2V2	
R534			RS14KB3A820J	FL-PROOF RS 82 J 1W	MTE	
R601			RK73GB1J472J	CHIP R 4.7K J 1/16W		
W601-603			R92-0679-05	CHIP R 0 OHM		
W652			R92-0679-05	CHIP R 0 OHM		
W901-904			R92-0679-05	CHIP R 0 OHM	M2T2E2	
W901-904			R92-0679-05	CHIP R 0 OHM	X2V2	
W998			R92-0679-05	CHIP R 0 OHM		
△ K1			S76-0110-05	MAGNETIC RELAY		
K2			S76-0045-15	MAGNETIC RELAY		
K2 ,3			S76-0042-05	MAGNETIC RELAY	MTE	
K2 ,3			S76-0042-05	MAGNETIC RELAY	M2T2E2	
△ D1 ,2			D4SBL20UF03	DIODE		
△ D3			S1ZB20(4072)	DIODE		
△ D4			D4SBL20UF03	DIODE		
D5 ,6			MA111	DIODE		
D7 -9			MA111	DIODE	M2T2E2	
D7 -9			MA111	DIODE	X2V2	
△ D10			S1ZB20(4072)	DIODE		
△ D11 -19			S5688B(TPB5)	DIODE		

L : Scandinavia K : USA P : Canada R : Mexico C : China I : Malaysia
Y : PX(Far East,Hawaii) T : England E : Europe G : Germany V : China(Shanghai)
Y : AAFES(Europe) X : Australia Q : Russia H : Korea M : Other Areas △ indicates safety critical components .

* New Parts
 Parts without **Parts No.** are not supplied.
 Les articles non mentionnés dans le **Parts No.** ne sont pas fournis.
 Teile ohne **Parts No.** werden nicht geliefert.



Ref. No	Address	New Parts	Parts No.	Description	Destination	Remarks
D101			MTZJ5.6(B)	ZENER DIODE		
D101			RD5.6ES(B2)	ZENER DIODE		
D102			MTZJ4.7(B)	ZENER DIODE		
D102			RD4.7ES(B2)	ZENER DIODE		
D103			MTZJ3.9(B)	ZENER DIODE		
D103			RD3.9ES(B2)	ZENER DIODE		
D104			MTZJ15(B)	ZENER DIODE		
D104			RD15ES(B2)	ZENER DIODE		
D105			MTZJ18(B)	ZENER DIODE		
D105			RD18ES(B2)	ZENER DIODE		
D301,302			MA111	DIODE		
D303-305			MA111	DIODE	M2T2E2	
D303-305			MA111	DIODE	X2V2	
D306			MA111	DIODE		
D307			MA111	DIODE	M	
D308			HSS104A	DIODE		
D308			1SS133	DIODE		
D309-314			MA111	DIODE		
D315,316			S5688B(TPB5)	DIODE		
D317,318			MA111	DIODE		
D319			MA111	DIODE	M2T2E2	
D319			MA111	DIODE	X2V2	
D320			MA111	DIODE		
D321			MA111	DIODE	M2T2E2	
D321			MA111	DIODE	X2V2	
D322,323			MA111	DIODE		
IC1		*	LM4766TK	ANALOGUE IC		
IC2		*	LM4766TK	ANALOGUE IC	M2T2E2	
IC2		*	LM4766TK	ANALOGUE IC	X2V2	
IC3		*	LM1875	ANALOGUE IC	M2T2E2	
IC3		*	LM1875	ANALOGUE IC	X2V2	
IC4			NJM2904M	IC(OP AMP X2)		
IC11			XC62HR5102P	ANALOGUE IC		
IC12		*	SI-3092N	ANALOGUE IC		
IC13			UPC2905HF	ANALOGUE IC		
IC14			UPC2905HF	ANALOGUE IC	M	
IC15			TL431CLP	MOS-IC		
Q1 ,2			2SC4213(B)	TRANSISTOR		
Q3			2SC4213(B)	TRANSISTOR	M2T2E2	
Q3			2SC4213(B)	TRANSISTOR	X2V2	
Q5			2SC4213(B)	TRANSISTOR	M2T2E2	
Q5			2SC4213(B)	TRANSISTOR	X2V2	
Q6 ,7			2SC4116(Y,GR)	TRANSISTOR		
Q6 ,7			2SC4177(L5,L6)	TRANSISTOR		
Q8 -10			2SC4116(Y,GR)	TRANSISTOR	M2T2E2	
Q8 -10			2SC4116(Y,GR)	TRANSISTOR	X2V2	
Q8 -10			2SC4177(L5,L6)	TRANSISTOR	M2T2E2	
Q8 -10			2SC4177(L5,L6)	TRANSISTOR	X2V2	
Q11			2SC2003(L,K)	TRANSISTOR		
Q13			2SD2012	TRANSISTOR		
Q14			2SB1640	TRANSISTOR		
Q15		*	2SA1586(Y,GR)	TRANSISTOR		
Q15		*	2SA1611(M5,M6)	TRANSISTOR		
Q16			2SC4116(Y,GR)	TRANSISTOR		
Q16			2SC4177(L5,L6)	TRANSISTOR		

L : Scandinavia K : USA P : Canada R : Mexico C : China I : Malaysia
 Y : PX(Far East,Hawaii) T : England E : Europe G : Germany V : China(Shanghai)
 Y : AAFES(Europe) X : Australia Q : Russia H : Korea M : Other Areas Δ indicates safety critical components .

* New Parts
 Parts without **Parts No.** are not supplied.
 Les articles non mentionnés dans le **Parts No.** ne sont pas fournis.
 Teile ohne **Parts No.** werden nicht geliefert.



Ref. No	Address	New Parts	Parts No.	Description	Destination	Remarks
Q17		*	2SA1586(Y,GR)	TRANSISTOR		
Q17		*	2SA1611(M5,M6)	TRANSISTOR		
Q18			2SC4116(Y,GR)	TRANSISTOR		
Q18			2SC4177(L5,L6)	TRANSISTOR		
Q301			2SA1586(Y,GR)	TRANSISTOR		
Q301			2SA1611(M5,M6)	TRANSISTOR		
Q302,303			2SC4097(Q,R)	TRANSISTOR		
Q304			2SC4097(Q,R)	TRANSISTOR		
Q304			2SC4097(Q,R)	TRANSISTOR		
Q306-308			2SC4116(Y,GR)	TRANSISTOR	M2T2E2	X2V2
Q306-308			2SC4177(L5,L6)	TRANSISTOR		
Q311		*	2SD2493LF114	TRANSISTOR		
TH1 ,2			NTH20P40B473J	THERMISTOR		
DISPLAY UNIT (X14-733/740)						
D1		*	B30-2597-05	LED(RE D HI-BRIGHT)		
D2		*	B30-2595-05	LED(2.5MM YELLOW)		
C1			CE04RW1A101M	ELECTRO	100UF	10WV
C2 ,3			CC73GCH1H221J	CHIP C	220PF	J
C4			CK73GB1H103K	CHIP C	0.010UF	K
C7			CE04RW1H330M	ELECTRO	33UF	50WV
C8			CC73GCH1H470J	CHIP C	47PF	J
C9			CK73GB1H103K	CHIP C	0.010UF	K
C10			CK73GB1H152K	CHIP C	1500PF	K
C11 ,12			CC73GCH1H470J	CHIP C	47PF	J
C13 -27			CC73GCH1H101J	CHIP C	100PF	J
C28			CK73GB1C104K	CHIP C	0.10UF	K
C29			CC73GCH1H470J	CHIP C	47PF	J
C101-103			CK73GB1H102K	CHIP C	1000PF	K
CN1		*	E40-8903-05	FLAT CABLE CONNECTOR		
J1		*	E11-0941-05	PHONE JACK (NI PLATE BL)		
E1			J11-0808-05	WIRE CLAMPER		
E2		*	J19-6182-13	HOLDER		
R1			RK73GB1J272J	CHIP R	2.7K	J 1/16W
R2			RK73GB1J242J	CHIP R	2.4K	J 1/16W
R3			RK73GB1J302J	CHIP R	3.0K	J 1/16W
R4			RK73GB1J432J	CHIP R	4.3K	J 1/16W
R5			RK73GB1J622J	CHIP R	6.2K	J 1/16W
R6			RK73GB1J912J	CHIP R	9.1K	J 1/16W
R7			RK73GB1J183J	CHIP R	18K	J 1/16W
R8			RK73GB1J272J	CHIP R	2.7K	J 1/16W
R9			RK73GB1J242J	CHIP R	2.4K	J 1/16W
R10			RK73GB1J302J	CHIP R	3.0K	J 1/16W
R11			RK73GB1J432J	CHIP R	4.3K	J 1/16W
R12			RK73GB1J622J	CHIP R	6.2K	J 1/16W
R13			RK73GB1J912J	CHIP R	9.1K	J 1/16W
R14			RK73GB1J183J	CHIP R	18K	J 1/16W
R15			RK73GB1J393J	CHIP R	39K	J 1/16W
R16			RK73GB1J100J	CHIP R	10	J 1/16W
R17			RK73GB1J102J	CHIP R	1.0K	J 1/16W
R18			RK73GB1J301J	CHIP R	300	J 1/16W
R19 ,20			RK73GB1J103J	CHIP R	10K	J 1/16W
R23 ,24			RK73FB2A103J	CHIP R	10K	J 1/10W

L : Scandinavia K : USA P : Canada R : Mexico C : China I : Malaysia
 Y : PX(Far East,Hawaii) T : England E : Europe G : Germany V : China(Shanghai)
 Y : AAFES(Europe) X : Australia Q : Russia H : Korea M : Other Areas Δ indicates safety critical components .

PARTS LIST

RD-DV5-S/DV7-L/DV5MD-S

* New Parts
Parts without **Parts No.** are not supplied.
Les articles non mentionnés dans le **Parts No.** ne sont pas fournis.
Teile ohne **Parts No.** werden nicht geliefert.

11

Ref. No	Add-ress	New Parts	Parts No.	Description	Desti-nation	Re-marks
R25 ,26			RD14BB2C1R0J	RD	1	J 1/6W
R27 -30			RK73FB2A223J	CHIP R	22K	J 1/10W
R32 -35			RK73GB1J472J	CHIP R	4.7K	J 1/16W
R37			RK73GB1J273J	CHIP R	27K	J 1/16W
R38 -42			RK73GB1J101J	CHIP R	100	J 1/16W
R101,102			RK73GB1J100J	CHIP R	10	J 1/16W
S1 -15			S70-0031-05	TACT SWITCH		
S16		*	T99-0660-05	ROTARY ENCODER		
D3			MTZJ7.5(B)	ZENER DIODE		
D3			RD7.5ES(B2)	ZENER DIODE		
D4 ,5			MA111	DIODE		
ED1			HNA-15SL01T	FLUORESCENT INDICATOR TUBE		
IC1		*	M66005-001FP	MOS-IC		
Q1 ,2			DTC114EUA	DIGITAL TRANSISTOR		
Q1 ,2			UN5211	DIGITAL TRANSISTOR		
Q3 ,4			HN1C01F	DUAL TRANSISTOR		
A1			W02-2561-05	ELECTRIC CIRCUIT MODULE		
CONTROL CIRCUIT UNIT (X29-276/283)						
C1 ,2			CK73EB1A335K	CHIP C	3.3UF	K M1
C3 ,4			CC73GCH1H331J	CHIP C	330PF	J
C5 ,6			CE04KW1H3R3M	ELECTRO	3.3UF	50WV
C7 ,8			CK73GB1E473K	CHIP C	0.047UF	K
C9 ,10			CE04KW1H0R1M	ELECTRO	0.1UF	50WV
C11 ,12			CK73GB1E473K	CHIP C	0.047UF	K
C13 ,14			CK73GB1C104K	CHIP C	0.10UF	K
C15 ,16			CK73GB1H472K	CHIP C	4700PF	K
C17 ,18			CE04KW1H3R3M	ELECTRO	3.3UF	50WV
C19 ,20			CK73GB1H122K	CHIP C	1200PF	K
C21 ,22			CE04KW1H100M	ELECTRO	10UF	50WV
C23 ,24			CC73GCH1H101J	CHIP C	100PF	J
C25 ,26			CE04KW1H100M	ELECTRO	10UF	50WV
C27 ,28			CK73FF1A475Z	CHIP C	4.7UF	Z
C29 ,30			CC73GCH1H221J	CHIP C	220PF	J
C31 ,32			CE04KW1C101M	ELECTRO	100UF	16WV
C33 ,34			CE04KW1H100M	ELECTRO	10UF	50WV
C35 ,36			CK73FF1A475Z	CHIP C	4.7UF	Z
C37 ,38			CC73GCH1H101J	CHIP C	100PF	J
C41 ,42			CC73GCH1H121J	CHIP C	120PF	J
C43 ,44			CC73GCH1H221J	CHIP C	220PF	J
C45 ,46			CC73GCH1H101J	CHIP C	100PF	J
C47 ,48			CE04KW1H3R3M	ELECTRO	3.3UF	50WV
C49 ,50			CC73GCH1H101J	CHIP C	100PF	J
C51 ,52			CK73FF1A475Z	CHIP C	4.7UF	Z
C53 ,54			CC73GCH1H101J	CHIP C	100PF	J
C55 ,56			CC73GCH1H181J	CHIP C	180PF	J
C57 ,58			CE04KW1H100M	ELECTRO	10UF	50WV
C59 ,60			CK73FF1A475Z	CHIP C	4.7UF	Z
C61 -64			CK73GB1A334K	CHIP C	0.33UF	K M2T2E2
C61 -64			CK73GB1A334K	CHIP C	0.33UF	K X2V2
C65 ,66			CK73FF1C225Z	CHIP C	2.2UF	Z M2T2E2
C65 ,66			CK73FF1C225Z	CHIP C	2.2UF	Z X2V2
C67 ,68			CC73GCH1H221J	CHIP C	220PF	J M2T2E2

L : Scandinavia K : USA P : Canada R : Mexico C : China I : Malaysia
Y : PX(Far East,Hawaii) T : England E : Europe G : Germany V : China(Shanghai)
Y : AAFES(Europe) X : Australia Q : Russia H : Korea M : Other Areas Δ indicates safety critical components .

* New Parts
Parts without **Parts No.** are not supplied.
Les articles non mentionnés dans le **Parts No.** ne sont pas fournis.
Teile ohne **Parts No.** werden nicht geliefert.

12

Ref. No	Add-ress	New Parts	Parts No.	Description	Desti-nation	Re-marks
C67 ,68			CC73GCH1H221J	CHIP C	220PF	J X2V2
C69 ,70			CK73GB1E473K	CHIP C	0.047UF	K M2T2E2
C69 ,70			CK73GB1E473K	CHIP C	0.047UF	K X2V2
C71 ,72			CE04RW1H2R2M	ELECTRO	2.2UF	50WV M2T2E2
C71 ,72			CE04RW1H2R2M	ELECTRO	2.2UF	50WV X2V2
C73 -76			CC73GCH1H100D	CHIP C	10PF	D
C77			CK73GB1E473K	CHIP C	0.047UF	K M2T2E2
C77			CK73GB1E473K	CHIP C	0.047UF	K X2V2
C78			CE04RW1H010M	ELECTRO	1.0UF	50WV M2T2E2
C78			CE04RW1H010M	ELECTRO	1.0UF	50WV X2V2
C79			CK73GB1E333K	CHIP C	0.033UF	K M2T2E2
C79			CK73GB1E333K	CHIP C	0.033UF	K X2V2
C80			CK73GB1C104K	CHIP C	0.10UF	K M2T2E2
C80			CK73GB1C104K	CHIP C	0.10UF	K X2V2
C83 ,84			CK73GB1E473K	CHIP C	0.047UF	K M2T2E2
C83 ,84			CK73GB1E473K	CHIP C	0.047UF	K X2V2
C85			CE04RW1H010M	ELECTRO	1.0UF	50WV M2T2E2
C85			CE04RW1H010M	ELECTRO	1.0UF	50WV X2V2
C86			CK73GB1A474K	CHIP C	0.47UF	K M2T2E2
C86			CK73GB1A474K	CHIP C	0.47UF	K X2V2
C87			CK73GB1C104K	CHIP C	0.10UF	K M2T2E2
C87			CK73GB1C104K	CHIP C	0.10UF	K X2V2
C88			CE04RW1H2R2M	ELECTRO	2.2UF	50WV M2T2E2
C88			CE04RW1H2R2M	ELECTRO	2.2UF	50WV X2V2
C89			CK73GB1C104K	CHIP C	0.10UF	K M2T2E2
C89			CK73GB1C104K	CHIP C	0.10UF	K X2V2
C89 ,91			CC73GCH1H221J	CHIP C	220PF	J M2T2E2
C90 ,91			CC73GCH1H221J	CHIP C	220PF	J X2V2
C92 ,93			CE04RW1H2R2M	ELECTRO	2.2UF	50WV M2T2E2
C92 ,93			CE04RW1H2R2M	ELECTRO	2.2UF	50WV X2V2
C94			CE04RW1C100M	ELECTRO	10UF	16WV M2T2E2
C94			CE04RW1C100M	ELECTRO	10UF	16WV X2V2
C95 -98			CC73GCH1H221J	CHIP C	220PF	J
C99 -100			CC73GCH1H221J	CHIP C	220PF	J TEM2
C99 -100			CC73GCH1H221J	CHIP C	220PF	J T2E2X2
C101			CE04KW1A101M	ELECTRO	100UF	10WV
C102			CK73FF1E104Z	CHIP C	0.10UF	Z
C103			CK73GB1H103K	CHIP C	0.010UF	K
C104			CE04KW1A101M	ELECTRO	100UF	10WV
C105			CK73FF1E104Z	CHIP C	0.10UF	Z
C106			CE04KW1A101M	ELECTRO	100UF	10WV M
C107			CK73GB1C104K	CHIP C	0.10UF	K M
C108			CK73FF1E104Z	CHIP C	0.10UF	Z M
C109			CE04KW1A101M	ELECTRO	100UF	10WV MTE
C109			CE04PW1A101M	ELECTRO	100UF	10WV M2T2E2
C109			CE04PW1A101M	ELECTRO	100UF	10WV X2V2
C110			CQ93FMG1H104J	MYLAR	0.10UF	J
C111			CE04KW1C101M	ELECTRO	100UF	16WV MTE
C111			CE04PW1C101M	ELECTRO	100UF	16WV M2T2E2
C111			CE04PW1C101M	ELECTRO	100UF	16WV X2V2
C112			CK73GB1C104K	CHIP C	0.10UF	K
C113			CK73FF1E104Z	CHIP C	0.10UF	Z
C114			CK73GB1C104K	CHIP C	0.10UF	K
C115			CE04KW1H2R2M	ELECTRO	2.2UF	50WV MTE
C115			CE04PW1H2R2M	ELECTRO	2.2UF	50WV M2T2E2

L : Scandinavia K : USA P : Canada R : Mexico C : China I : Malaysia
Y : PX(Far East,Hawaii) T : England E : Europe G : Germany V : China(Shanghai)
Y : AAFES(Europe) X : Australia Q : Russia H : Korea M : Other Areas Δ indicates safety critical components .

* New Parts

Parts without **Parts No.** are not supplied.

Les articles non mentionnés dans le **Parts No.** ne sont pas fournis.

Teile ohne **Parts No.** werden nicht geliefert.

13

Ref. No	Add-ress	New Parts	Parts No.	Description	Desti-nation	Re-marks
C115			CE04PW1H2R2M	ELECTRO 2.2UF 50WV	X2V2	
C116			CE04KW1H010M	ELECTRO 1.0UF 50WV	MTE	
C116			CE04PW1H010M	ELECTRO 1UF 50WV	M2T2E2	
C116			CE04PW1H010M	ELECTRO 1UF 50WV	X2V2	
C117			CE04KW0J471M	ELECTRO 470UF 6.3WV	MTE	
C117		*	CE04PW0J471M	ELECTRO 470UF 6.3WV	M2T2E2	
C117		*	CE04PW0J471M	ELECTRO 470UF 6.3WV	X2V2	
C118			CE04KW1A101M	ELECTRO 100UF 10WV	MTE	
C118			CE04PW1A101M	ELECTRO 100UF 10WV	M2T2E2	
C118			CE04PW1A101M	ELECTRO 100UF 10WV	X2V2	
C119,120			CK73GB1H103K	CHIP C 0.010UF	K	
C121			CC73GCH1H220J	CHIP C 22PF	J	
C122			CC73GCH1H180J	CHIP C 18PF	J	
C123			CE04PW1C470M	ELECTRO 47UF 16WV	E2	
C123			CE04PW1C470M	ELECTRO 47UF 16WV	TET2	
C124			CC73GCH1H561J	CHIP C 560PF	J	E2
C124			CC73GCH1H561J	CHIP C 560PF	J	TET2
C125			CK73GB1H103K	CHIP C 0.010UF	K	E2
C125			CK73GB1H103K	CHIP C 0.010UF	K	TET2
C126			CC73GCH1H271J	CHIP C 270PF	J	E2
C126			CC73GCH1H271J	CHIP C 270PF	J	TET2
C127			CE04PW1H3R3M	ELECTRO 3.3UF 50WV	E2	
C127			CE04PW1H3R3M	ELECTRO 3.3UF 50WV	TET2	
C128			CC73GCH1H102J	CHIP C 1000PF	J	E2
C128			CC73GCH1H102J	CHIP C 1000PF	J	TET2
C129,130			CC73GCH1H270J	CHIP C 27PF	J	E2
C129,130			CC73GCH1H270J	CHIP C 27PF	J	TET2
C131-133			CC73GCH1H101J	CHIP C 100PF	J	
C134,135			CC73GCH1H102J	CHIP C 1000PF	J	
C136			CE04KW1H100M	ELECTRO 10UF 50WV		
C137-140			CK73GB1H103K	CHIP C 0.010UF	K	M2T2E2
C137-140			CK73GB1H103K	CHIP C 0.010UF	K	X2V2
C141-142			CK73GB1C104K	CHIP C 0.10UF	K	M2T2E2
C141-142			CK73GB1C104K	CHIP C 0.10UF	K	X2V2
C143			CK73GB1C104K	CHIP C 0.10UF	K	
C144			CC73GCH1H102J	CHIP C 1000PF	J	
C145			CK73GB1C104K	CHIP C 0.10UF	K	M
C146			CK73GB1C104K	CHIP C 0.10UF	K	
C147,148			CE04KW1H100M	ELECTRO 10UF 50WV	MTE	
C147,148			CE04PW1H100M	ELECTRO 10UF 50WV	M2T2E2	
C147,148			CE04PW1H100M	ELECTRO 10UF 50WV	X2V2	
C150			CE04KW1A101M	ELECTRO 100UF 10WV	M	
C151,152			CC73GCH1H101J	CHIP C 100PF	J	M2T2E2
C151,152			CC73GCH1H101J	CHIP C 100PF	J	X2V2
C201			CE04KW1H100M	ELECTRO 10UF 50WV		
C202			CE04KW1A101M	ELECTRO 100UF 10WV		
C203			CC73GCH1H050C	CHIP C 5.0PF	C	
C204			CE04KW1H100M	ELECTRO 10UF 50WV		
C205			CK73GB1C104K	CHIP C 0.10UF	K	M
C206			CE04KW1A101M	ELECTRO 100UF 10WV	M	
C207			CK73GB1H103K	CHIP C 0.010UF	K	
C208			CC73GCH1H101J	CHIP C 100PF	J	
C209			CK73GB1H103K	CHIP C 0.010UF	K	
C210			CC73GCH1H101J	CHIP C 100PF	J	
C211,212			CK73GB1H103K	CHIP C 0.010UF	K	

L : Scandinavia K : USA P : Canada R : Mexico C : China I : Malaysia
 Y : PX(Far East,Hawaii) T : England E : Europe G : Germany V : China(Shanghai)
 Y : AAFES(Europe) X : Australia Q : Russia H : Korea M : Other Areas Δ indicates safety critical components .

* New Parts

Parts without **Parts No.** are not supplied.

Les articles non mentionnés dans le **Parts No.** ne sont pas fournis.

Teile ohne **Parts No.** werden nicht geliefert.

14

Ref. No	Add-ress	New Parts	Parts No.	Description	Desti-nation	Re-marks
C213			CE04RW1A101M	ELECTRO 100UF 10WV	M2T2E2	
C213			CE04RW1A101M	ELECTRO 100UF 10WV	X2V2	
C215			CK73GB1H103K	CHIP C 0.010UF	K	
C216			CE04KW1A101M	ELECTRO 100UF 10WV		
C217			CE04KW1A471M	ELECTRO 470UF 10WV	MTE	
C217			CE04PW1A471M	ELECTRO 470UF 10WV	M2T2E2	
C217			CE04PW1A471M	ELECTRO 470UF 10WV	X2V2	
C218			CK73GB1H103K	CHIP C 0.010UF	K	M2T2E2
C218			CK73GB1H103K	CHIP C 0.010UF	K	X2V2
C219			CK73GB1E473K	CHIP C 0.047UF	K	
C220			CE04KW1A471M	ELECTRO 470UF 10WV	MTE	
C220			CE04PW1A471M	ELECTRO 470UF 10WV	M2T2E2	
C220			CE04PW1A471M	ELECTRO 470UF 10WV	X2V2	
C221			CE04KW1A101M	ELECTRO 100UF 10WV		
C222			CC73GCH1H102J	CHIP C 1000PF	J	
C223,224			CE04KW1H100M	ELECTRO 10UF 50WV	MTE	
C223,224			CE04PW1H100M	ELECTRO 10UF 50WV	M2T2E2	
C223,224			CE04PW1H100M	ELECTRO 10UF 50WV	X2V2	
C225			CK73GB1C104K	CHIP C 0.10UF	K	
C226			CE04KW1A101M	ELECTRO 100UF 10WV	MTE	
C226			CE04PW1A101M	ELECTRO 100UF 10WV	M2T2E2	
C226			CE04PW1A101M	ELECTRO 100UF 10WV	X2V2	
C227-229			CC73GCH1H101J	CHIP C 100PF	J	
C233			CC73GCH1H102J	CHIP C 1000PF	J	
C281			CC73GCH1H101J	CHIP C 100PF	J	M
C282			CC73GCH1H102J	CHIP C 1000PF	J	
C283,284			CC73GCH1H101J	CHIP C 100PF	J	
C285			CC73GCH1H101J	CHIP C 100PF	J	E2
C285			CC73GCH1H101J	CHIP C 100PF	J	TET2
C286			CE04KW1H101M	ELECTRO 100UF 50WV		
CN1			E40-9966-05	FLAT CABLE CONNECTOR		M
CN2			E40-3253-05	PIN ASSY		MTE
CN2			E40-3256-05	PIN ASSY		M2T2E2
CN2			E40-3256-05	PIN ASSY		X2V2
CN3			E40-4900-05	FLAT CABLE CONNECTOR		
CN4			E40-3249-05	PIN ASSY		
CN5			E40-8623-05	FLAT CABLE CONNECTOR		
CN6			E40-4902-05	FLAT CABLE CONNECTOR		
CN7	*		E40-8695-05	FLAT CABLE CONNECTOR		
CN8	*		E40-8904-05	FLAT CABLE CONNECTOR		
CN9			E40-3246-05	PIN ASSY		
J1	*		E63-1220-05	PIN JACK		
J2			E56-0032-05	CYLINDRICAL RECEPTACLE		
J3			E63-1161-05	PIN JACK		M
J3			E63-1213-05	PIN JACK		TEM2M2V2
J3			E63-1213-05	PIN JACK		T2E2X2
E3			J11-0808-05	WIRE CLAMPER		
L1 -6			L92-0089-05	CHIP FERRITE		
X1			L78-0294-05	RESONATOR (10.000M)		
X2			L77-2173-05	CRYSTAL RESONATOR(32.768KHZ)		
X3			L77-2206-05	CRYSTAL RESONATOR(4.332MHZ)		E2
X3			L77-2206-05	CRYSTAL RESONATOR(4.332MHZ)		TET2
R1 ,2			RK73GB1J822J	CHIP R 8.2K J 1/16W		

L : Scandinavia K : USA P : Canada R : Mexico C : China I : Malaysia
 Y : PX(Far East,Hawaii) T : England E : Europe G : Germany V : China(Shanghai)
 Y : AAFES(Europe) X : Australia Q : Russia H : Korea M : Other Areas Δ indicates safety critical components .

PARTS LIST

RD-DV5-S/DV7-L/DV5MD-S

* New Parts
Parts without **Parts No.** are not supplied.
Les articles non mentionnés dans le **Parts No.** ne sont pas fournis.
Teile ohne **Parts No.** werden nicht geliefert.



Ref. No	Address	New Parts	Parts No.	Description	Destination	Remarks
R3 -4			RK73GB1J822J	CHIP R	8.2K J 1/16W	TEM2V2
R3 -4			RK73GB1J822J	CHIP R	8.2K J 1/16W	T2E2X2
R3 ,4			RK73GB1J101J	CHIP R	100 J 1/16W	M
R5 ,6			RK73GB1J103J	CHIP R	10K J 1/16W	
R7 ,8			RK73GB1J332J	CHIP R	3.3K J 1/16W	
R9			RK73EB2B100J	CHIP R	10 J 1/8W	
R10			RK73EB2B180J	CHIP R	18 J 1/8W	
R11 ,12			RK73GB1J104J	CHIP R	100K J 1/16W	
R13 ,14			RK73GB1J183J	CHIP R	18K J 1/16W	
R15 ,16			RK73GB1J103J	CHIP R	10K J 1/16W	
R17 ,18			RK73GB1J104J	CHIP R	100K J 1/16W	
R19 ,20			RK73GB1J103J	CHIP R	10K J 1/16W	
R21 -24			RK73GB1J104J	CHIP R	100K J 1/16W	
R25 ,26			RK73GB1J103J	CHIP R	10K J 1/16W	
R27 ,28			RK73GB1J332J	CHIP R	3.3K J 1/16W	
R29 -32			RK73GB1J752J	CHIP R	7.5K J 1/16W	M2T2E2
R29 -32			RK73GB1J752J	CHIP R	7.5K J 1/16W	X2V2
R33 ,34			RK73GB1J333J	CHIP R	33K J 1/16W	M2T2E2
R33 ,34			RK73GB1J333J	CHIP R	33K J 1/16W	X2V2
R35			RK73GB1J243J	CHIP R	24K J 1/16W	M2T2E2
R35			RK73GB1J243J	CHIP R	24K J 1/16W	X2V2
R36 -38			RK73GB1J472J	CHIP R	4.7K J 1/16W	M2T2E2
R36 -38			RK73GB1J472J	CHIP R	4.7K J 1/16W	X2V2
R39			RK73GB1J101J	CHIP R	100 J 1/16W	
R40			RK73GB1J103J	CHIP R	10K J 1/16W	
R41 ,42			RK73GB1J681J	CHIP R	680 J 1/16W	M2T2E2
R41 ,42			RK73GB1J681J	CHIP R	680 J 1/16W	X2V2
R43			RK73GB1J472J	CHIP R	4.7K J 1/16W	M2T2E2
R43			RK73GB1J472J	CHIP R	4.7K J 1/16W	X2V2
R44 -46			RK73GB1J102J	CHIP R	1.0K J 1/16W	
R47			RK73GB1J103J	CHIP R	10K J 1/16W	M2T2E2
R47			RK73GB1J103J	CHIP R	10K J 1/16W	X2V2
R48 -50			RK73GB1J153J	CHIP R	15K J 1/16W	M2T2E2
R48 -50			RK73GB1J153J	CHIP R	15K J 1/16W	X2V2
R51			RK73GB1J393J	CHIP R	39K J 1/16W	M2T2E2
R51			RK73GB1J393J	CHIP R	39K J 1/16W	X2V2
R53 ,54			RK73GB1J221J	CHIP R	220 J 1/16W	M2T2E2
R53 ,54			RK73GB1J221J	CHIP R	220 J 1/16W	X2V2
R55 ,56			RK73GB1J104J	CHIP R	100K J 1/16W	
R57 ,58			RK73GB1J101J	CHIP R	100 J 1/16W	
R59 ,60			RK73GB1J104J	CHIP R	100K J 1/16W	
R61 ,62			RK73GB1J102J	CHIP R	1.0K J 1/16W	
R63 ,64			RK73GB1J104J	CHIP R	100K J 1/16W	TEM2V2
R63 ,64			RK73GB1J104J	CHIP R	100K J 1/16W	T2E2X2
R65 ,66			RK73GB1J102J	CHIP R	1.0K J 1/16W	TEM2V2
R65 ,66			RK73GB1J102J	CHIP R	1.0K J 1/16W	T2E2X2
R67			RK73GB1J472J	CHIP R	4.7K J 1/16W	M2T2E2
R67			RK73GB1J472J	CHIP R	4.7K J 1/16W	X2
R68			RK73GB1J4R7J	CHIP R	4.7 J 1/16W	M2T2E2
R68			RK73GB1J4R7J	CHIP R	4.7 J 1/16W	X2
R69 ,70			RK73GB1J912J	CHIP R	9.1K J 1/16W	
R71 ,72			RK73GB1J153J	CHIP R	15K J 1/16W	
R73 ,74			RK73GB1J473J	CHIP R	47K J 1/16W	M2T2E2
R73 ,74			RK73GB1J473J	CHIP R	47K J 1/16W	X2V2
R75 ,76			RK73GB1J123J	CHIP R	12K J 1/16W	

L : Scandinavia K : USA P : Canada R : Mexico C : China I : Malaysia
Y : PX(Far East,Hawaii) T : England E : Europe G : Germany V : China(Shanghai)
Y : AAFES(Europe) X : Australia Q : Russia H : Korea M : Other Areas Δ indicates safety critical components .

* New Parts
Parts without **Parts No.** are not supplied.
Les articles non mentionnés dans le **Parts No.** ne sont pas fournis.
Teile ohne **Parts No.** werden nicht geliefert.



Ref. No	Address	New Parts	Parts No.	Description	Destination	Remarks
R101-103			RK73GB1J103J	CHIP R	10K J 1/16W	
R104,105			R92-1885-05	METAL FILM	0.1 J 1/2W	
R106			RK73GB1J272J	CHIP R	2.7K J 1/16W	M
R107			RK73GB1J621J	CHIP R	620 J 1/16W	M
R108			RK73GB1J1R0J	CHIP R	1 J 1/16W	
R109			RK73GB1J1R0J	CHIP R	1 J 1/16W	M
R112			RK73GB1J471J	CHIP R	470 J 1/16W	
R113			RK73GB1J104J	CHIP R	100K J 1/16W	
R114			RK73GB1J102J	CHIP R	1.0K J 1/16W	
R115			RK73GB1J104J	CHIP R	100K J 1/16W	
R116			RK73GB1J1R0J	CHIP R	1 J 1/16W	
R117			RK73GB1J4R7J	CHIP R	4.7 J 1/16W	
R118			RK73GB1J104J	CHIP R	100K J 1/16W	
R119			RK73GB1J102J	CHIP R	1.0K J 1/16W	
R120,121			RK73GB1J104J	CHIP R	100K J 1/16W	
R122			RK73FB2A472J	CHIP R	4.7K J 1/10W	
R123			RK73GB1J473J	CHIP R	47K J 1/16W	
R124			RK73GB1J103J	CHIP R	10K J 1/16W	M2T2E2
R124			RK73GB1J103J	CHIP R	10K J 1/16W	X2V2
R124			RK73GB1J473J	CHIP R	47K J 1/16W	MTE
R125			RK73GB1J101J	CHIP R	100 J 1/16W	E2
R125			RK73GB1J101J	CHIP R	100 J 1/16W	TET2
R126			RK73GB1J473J	CHIP R	47K J 1/16W	
R127,128			RK73GB1J101J	CHIP R	100 J 1/16W	
R129			RK73GB1J105J	CHIP R	1.0M J 1/16W	
R130			RK73GB1J104J	CHIP R	100K J 1/16W	
R131			RK73GB1J475J	CHIP R	4.7M J 1/16W	
R132			RK73GB1J332J	CHIP R	3.3K J 1/16W	M
R133,134			RK73GB1J162J	CHIP R	1.6K J 1/16W	
R135			RK73GB1J332J	CHIP R	3.3K J 1/16W	M
R136			RS14KB3D331J	FL-PROOF RS	330 J 2W	
R137			RK73GB1J102J	CHIP R	1.0K J 1/16W	
R138			RK73GB1J162J	CHIP R	1.6K J 1/16W	
R139			RK73GB1J332J	CHIP R	3.3K J 1/16W	M
R140			RK73GB1J162J	CHIP R	1.6K J 1/16W	
R141			RK73GB1J332J	CHIP R	3.3K J 1/16W	M
R142,143			RK73GB1J101J	CHIP R	100 J 1/16W	
R144-148			RK73GB1J102J	CHIP R	1.0K J 1/16W	
R149-154			RK73GB1J101J	CHIP R	100 J 1/16W	
R155			RK73GB1J473J	CHIP R	47K J 1/16W	E2
R155			RK73GB1J473J	CHIP R	47K J 1/16W	TET2
R156,157			RK73GB1J153J	CHIP R	15K J 1/16W	
R158			RK73GB1J102J	CHIP R	1.0K J 1/16W	
R159			RK73GB1J103J	CHIP R	10K J 1/16W	
R160-164			RK73GB1J101J	CHIP R	100 J 1/16W	
R165			RK73GB1J102J	CHIP R	1.0K J 1/16W	
R166,167			RK73GB1J332J	CHIP R	3.3K J 1/16W	
R168-170			RK73GB1J473J	CHIP R	47K J 1/16W	
R171,172			RK73GB1J1R0J	CHIP R	1 J 1/16W	
R173			RK73GB1J1R0J	CHIP R	1 J 1/16W	M
R174			RK73GB1J101J	CHIP R	100 J 1/16W	
R175			RS14KB3A100J	FL-PROOF RS	10 J 1W	
R176			RK73GB1J2R2J	CHIP R	2.2 J 1/16W	E2
R176			RK73GB1J2R2J	CHIP R	2.2 J 1/16W	TET2
R177			RK73FB2A472J	CHIP R	4.7K J 1/10W	

L : Scandinavia K : USA P : Canada R : Mexico C : China I : Malaysia
Y : PX(Far East,Hawaii) T : England E : Europe G : Germany V : China(Shanghai)
Y : AAFES(Europe) X : Australia Q : Russia H : Korea M : Other Areas Δ indicates safety critical components .

* New Parts
 Parts without **Parts No.** are not supplied.
 Les articles non mentionnés dans le **Parts No.** ne sont pas fournis.
 Teile ohne **Parts No.** werden nicht geliefert.



Ref. No	Add-ress	New Parts	Parts No.	Description	Desti-nation	Re-marks
R178			RK73GB1J104J	CHIP R 100K J 1/16W		
R179			RK73GB1J821J	CHIP R 820 J 1/16W		
R180-184			RK73GB1J102J	CHIP R 1.0K J 1/16W		
R185-188			RK73GB1J101J	CHIP R 100 J 1/16W		
R189			RK73GB1J102J	CHIP R 1.0K J 1/16W		
R190			RK73GB1J101J	CHIP R 100 J 1/16W		
R191-193			RK73GB1J102J	CHIP R 1.0K J 1/16W		
R194-196			RK73GB1J101J	CHIP R 100 J 1/16W		
R197			RK73GB1J683J	CHIP R 68K J 1/16W		
R198			RK73GB1J101J	CHIP R 100 J 1/16W		
R199			RK73GB1J433J	CHIP R 43K J 1/16W		
R200			RK73GB1J471J	CHIP R 470 J 1/16W	M	
R201-203			RK73GB1J471J	CHIP R 470 J 1/16W		
R204			RK73GB1J100J	CHIP R 10 J 1/16W		
R205			RK73GB1J1R0J	CHIP R 1 J 1/16W		
R206-208			RK73GB1J471J	CHIP R 470 J 1/16W		
R209			RK73GB1J100J	CHIP R 10 J 1/16W	M	
R210			RK73EB2B100J	CHIP R 10 J 1/8W	M	
R211			RK73GB1J101J	CHIP R 100 J 1/16W	M	
R212,213			RK73GB1J471J	CHIP R 470 J 1/16W		
R215,216			RK73GB1J332J	CHIP R 3.3K J 1/16W		
R217,218			RK73GB1J103J	CHIP R 10K J 1/16W		
R219,220			RK73GB1J2R2J	CHIP R 2.2 J 1/16W		
R221			RK73GB1J102J	CHIP R 1.0K J 1/16W		
R222			RK73GB1J152J	CHIP R 1.5K J 1/16W		
R232			RK73GB1J101J	CHIP R 100 J 1/16W		
R233			RK73GB1J680J	CHIP R 68 J 1/16W		
R234			RK73GB1J750J	CHIP R 75 J 1/16W		
R235			RK73GB1J103J	CHIP R 10K J 1/16W		
R236			RK73GB1J101J	CHIP R 100 J 1/16W		
R237,238			RK73GB1J102J	CHIP R 1.0K J 1/16W		
R239,240			RK73GB1J104J	CHIP R 100K J 1/16W		
R241			RK73GB1J102J	CHIP R 1.0K J 1/16W		
R242			RK73GB1J100J	CHIP R 10 J 1/16W	M	
R243			RK73GB1J100J	CHIP R 10 J 1/16W		
R244			RK73GB1J750J	CHIP R 75 J 1/16W		
R245			RK73GB1J102J	CHIP R 1.0K J 1/16W		
R246			RK73GB1J1R0J	CHIP R 1 J 1/16W		
R247,248			RK73GB1J102J	CHIP R 1.0K J 1/16W	M	
R249-250			RK73GB1J472J	CHIP R 4.7K J 1/16W	M	
R251			RK73GB1J472J	CHIP R 4.7K J 1/16W		
R252-254			RK73GB1J101J	CHIP R 100 J 1/16W	M	
R255,256			RK73GB1J102J	CHIP R 1.0K J 1/16W		
R257			RK73GB1J223J	CHIP R 22K J 1/16W		
R258			RK73GB1J391J	CHIP R 390 J 1/16W		
R259			RK73GB1J821J	CHIP R 820 J 1/16W		
R260			RK73GB1J101J	CHIP R 100 J 1/16W		
R301			RK73GB1J101J	CHIP R 100 J 1/16W	E2	
R301			RK73GB1J101J	CHIP R 100 J 1/16W	TET2	
R302,303			RK73GB1J101J	CHIP R 100 J 1/16W		
R304			RK73GB1J102J	CHIP R 1.0K J 1/16W		
R305			RK73GB1J101J	CHIP R 100 J 1/16W		
R306			RK73GB1J104J	CHIP R 100K J 1/16W		
R307			RK73GB1J101J	CHIP R 100 J 1/16W		
R308			RK73GB1J473J	CHIP R 47K J 1/16W		

L : Scandinavia K : USA P : Canada R : Mexico C : China I : Malaysia
 Y : PX(Far East,Hawaii) T : England E : Europe G : Germany V : China(Shanghai)
 Y : AAFES(Europe) X : Australia Q : Russia H : Korea M : Other Areas Δ indicates safety critical components .

* New Parts
 Parts without **Parts No.** are not supplied.
 Les articles non mentionnés dans le **Parts No.** ne sont pas fournis.
 Teile ohne **Parts No.** werden nicht geliefert.



Ref. No	Add-ress	New Parts	Parts No.	Description	Desti-nation	Re-marks
R309,310			RK73GB1J153J	CHIP R 15K J 1/16W		
R311			RK73GB1J104J	CHIP R 100K J 1/16W	M2X2	
R311			RK73GB1J104J	CHIP R 100K J 1/16W	T2E2V2	
R312			RK73GB1J104J	CHIP R 100K J 1/16W	TE	
R312			RK73GB1J104J	CHIP R 100K J 1/16W	T2E2V2	
R313			RK73GB1J104J	CHIP R 100K J 1/16W	MM2V2	
R314			RK73GB1J104J	CHIP R 100K J 1/16W		
R316			RK73GB1J104J	CHIP R 100K J 1/16W	E2X2	
R316			RK73GB1J104J	CHIP R 100K J 1/16W	TET2T2	
R317			RK73GB1J104J	CHIP R 100K J 1/16W	MM2X2	
R318			RK73GB1J104J	CHIP R 100K J 1/16W	TEM	
R319			RK73GB1J104J	CHIP R 100K J 1/16W		
R320			RK73GB1J104J	CHIP R 100K J 1/16W	M	
R321			RK73GB1J1R0J	CHIP R 1 J 1/16W		
R322			RK73GB1J432J	CHIP R 4.3K J 1/16W		
R323,324			RK73GB1J103J	CHIP R 10K J 1/16W		
R325			RK73GB1J103J	CHIP R 10K J 1/16W	M	
W1 ,2			R92-0670-05	CHIP R 0 OHM	MTE	
W3 -4			R92-0679-05	CHIP R 0 OHM	M	
W5 ,6			R92-0679-05	CHIP R 0 OHM		
W7			R92-0670-05	CHIP R 0 OHM		
W9			R92-1252-05	CHIP R 0 OHM J 1/16W	M	
W10			R92-0670-05	CHIP R 0 OHM		
W12			R92-0679-05	CHIP R 0 OHM		
W13			R92-1252-05	CHIP R 0 OHM J 1/16W	M	
W15			R92-1252-05	CHIP R 0 OHM J 1/16W	MV2	
W16 ,17			R92-1252-05	CHIP R 0 OHM J 1/16W	M2T2E2	
W16 ,17			R92-1252-05	CHIP R 0 OHM J 1/16W	X2V2	
D1 ,2			MA111	DIODE		
D3			1SS402	DIODE		
D4 ,5			MA111	DIODE		
D6			UDZS4.7B	ZENER DIODE		
D6			UDZ4.7B	ZENER DIODE		
D7			UDZS3.9B	ZENER DIODE		
D7			UDZ3.9B	ZENER DIODE		
D8 ,9			MA111	DIODE		
D10			UDZS4.7B	ZENER DIODE		
D10			UDZ4.7B	ZENER DIODE		
D11			UDZS5.6B	ZENER DIODE		
D11			UDZ5.6B	ZENER DIODE		
D12			MA111	DIODE		
D13			MA111	DIODE	M	
D14			UDZS5.6B	ZENER DIODE		
D14			UDZ5.6B	ZENER DIODE		
D15			HZU2.7(B2)	ZENER DIODE		
D15			RD2.7S(B2)	ZENER DIODE		
D15			UDZS2.7B	ZENER DIODE		
D15			UDZ2.7B	ZENER DIODE		
D16 ,17			MA111	DIODE		
D18			MA111	DIODE	M	
D19 ,20			MA111	DIODE		
D21			MTZJ4.7(B)	ZENER DIODE	M	
D21			RD4.7ES(B2)	ZENER DIODE	M	
IC1			M62492FP	MOS-IC		

L : Scandinavia K : USA P : Canada R : Mexico C : China I : Malaysia
 Y : PX(Far East,Hawaii) T : England E : Europe G : Germany V : China(Shanghai)
 Y : AAFES(Europe) X : Australia Q : Russia H : Korea M : Other Areas Δ indicates safety critical components .

PARTS LIST

RD-DV5-S/DV7-L/DV5MD-S

* New Parts
Parts without **Parts No.** are not supplied.
Les articles non mentionnés dans le **Parts No.** ne sont pas fournis.
Teile ohne **Parts No.** werden nicht geliefert.

19

Ref. No	Add-ress	New Parts	Parts No.	Description	Desti-nation	Re-marks
IC3			TC9215AF	MOS-IC	M2T2E2	
IC3			TC9215AF	MOS-IC	X2V2	
IC4			TDA7309	ANALOGUE IC	M2T2E2	
IC4			TDA7309	ANALOGUE IC	X2V2	
IC5		*	HD74LVC00T	MOS-IC		
IC6			NJM4565MD	IC(OP AMP X2)		
IC7			MM1539AFBE	ANALOGUE IC		
IC8 ,9			NJM4565MD	IC(OP AMP X2)	M2T2E2	
IC8 ,9			NJM4565MD	IC(OP AMP X2)	X2V2	
IC10			TA79008S	IC(VOLTAGE REGULATOR/ -8V)		
IC11			TA7808S	ANALOGUE IC		
IC12			SI-3025F(1109)	ANALOGUE IC	M	
IC13			UPC2905HF	ANALOGUE IC		
IC14			SI-3090C(1109)	ANALOGUE IC		
IC15		*	M30624MGA356F	MI-COM IC		
IC16			BU1923F	ANALOGUE IC	E2	
IC16		*	BU1923F	ANALOGUE IC	TET2	
IC17			PCM1748E	MOS-IC		
IC18			TC74HCT7007AF	MOS-IC		
IC19			S-80840ANY	ANALOGUE IC		
IC20			HD74LVC08T	MOS-IC	M	
Q1 -3			2SC4081(R,S)	TRANSISTOR		
Q1 -3			2SC4116(Y,GR)	TRANSISTOR		
Q4			2SA1576A(R,S)	TRANSISTOR		
Q4			2SA1586(Y,GR)	TRANSISTOR		
Q5			2SC2003(L,K)	TRANSISTOR		
Q6			DTA143TUA	DIGITAL TRANSISTOR	M	
Q6			UN5116	DIGITAL TRANSISTOR	M	
Q7 ,8			2SC4213(B)	TRANSISTOR	M	
Q9			DTA143TUA	DIGITAL TRANSISTOR	M	
Q9			UN5116	DIGITAL TRANSISTOR	M	
Q10			DTA143TUA	DIGITAL TRANSISTOR		
Q10			UN5116	DIGITAL TRANSISTOR		
Q11 ,12			DTC143TUA	DIGITAL TRANSISTOR		
Q11 ,12			UN5216	DIGITAL TRANSISTOR		
Q13 ,14			2SC4081(R,S)	TRANSISTOR		
Q13 ,14			2SC4116(Y,GR)	TRANSISTOR		
Q15			DTC124EUA	DIGITAL TRANSISTOR	M	
Q15			UN5212	DIGITAL TRANSISTOR	M	
A1			W02-2802-05	OPTIC RECEIVING MODULE	M	
A2			W02-2803-05	OSCILLATING MODULE		
A3		*	W02-2861-05	ELECTRIC CIRCUIT MODULE	M2T2E2	
A3		*	W02-2861-05	ELECTRIC CIRCUIT MODULE	X2V2	
VIDEO UNIT (X35-230/232)						
C1 -4			CC73GCH1H102J	CHIP C	1000PF	J
C5 ,6			CC73GCH1H331J	CHIP C	330PF	J
C7			CC73GCH1H681J	CHIP C	680PF	J
C8			CC73GCH1H561J	CHIP C	560PF	J
C9 ,10			CK73GB1C104K	CHIP C	0.10UF	K
C11			CK73GB1H682K	CHIP C	6800PF	K
C12			CC73GCH1H681J	CHIP C	680PF	J
C13			CE32APOJ470M	CHIP EL	47UF	6.3WV
C14 ,15			CK73GB1H152K	CHIP C	1500PF	K
C16 ,17			CK73GB1C104K	CHIP C	0.10UF	K

L : Scandinavia K : USA P : Canada R : Mexico C : China I : Malaysia
Y : PX(Far East,Hawaii) T : England E : Europe G : Germany V : China(Shanghai)
Y : AAFES(Europe) X : Australia Q : Russia H : Korea M : Other Areas ⚠ indicates safety critical components .

* New Parts
Parts without **Parts No.** are not supplied.
Les articles non mentionnés dans le **Parts No.** ne sont pas fournis.
Teile ohne **Parts No.** werden nicht geliefert.

20

Ref. No	Add-ress	New Parts	Parts No.	Description	Desti-nation	Re-marks
C18			CC73GCH1H470J	CHIP C	47PF	J
C19			CK73GB1E183K	CHIP C	0.018UF	K
C20			CC73GCH1H102J	CHIP C	1000PF	J
C22			CK73GB1H152K	CHIP C	1500PF	K
C23			CK73GB1C104K	CHIP C	0.10UF	K
C24			CK73GB1H103K	CHIP C	0.010UF	K
C25			CK73GB1H152K	CHIP C	1500PF	K
C26			CE32AP1C100M	CHIP EL	10UF	16WV
C27			CE32APOJ470M	CHIP EL	47UF	6.3WV
C28 ,29			CK73GB1H152K	CHIP C	1500PF	K
C30			CK73GB1C473K	CHIP C	0.047UF	K
C31			CK73GB1C104K	CHIP C	0.10UF	K
C32			CK73GB1H103K	CHIP C	0.010UF	K
C33			CK73GB1H152K	CHIP C	1500PF	K
C34			CK73GB1C393K	CHIP C	0.039UF	K
C35			CK73GB1H822K	CHIP C	8200PF	K
C36			CK73GB1H152K	CHIP C	1500PF	K
C37			CK73FB1C474K	CHIP C	0.47UF	K
C38			CK73GB1H152K	CHIP C	1500PF	K
C39			CK73GB1C104K	CHIP C	0.10UF	K
C40			CC73GCH1H100D	CHIP C	10PF	D
C48			CE32AC0J221M	CHIP EL	220UF	6.3WV
C49			CK73GF1A105Z	CHIP C	1.0UF	Z
C101-107			CK73GB1H152K	CHIP C	1500PF	K
C108			CK73GB1H103K	CHIP C	0.010UF	K
C109			CK73GB1H152K	CHIP C	1500PF	K
C110,111			CE32AP1C100M	CHIP EL	10UF	16WV
C112-120			CK73GB1H152K	CHIP C	1500PF	K
C121			CC73GCH1H100D	CHIP C	10PF	D
C129			CK73GF1A105Z	CHIP C	1.0UF	Z
C201			CC73GCH1H101J	CHIP C	100PF	J
C202			CK73GB1C104K	CHIP C	0.10UF	K
C203			CE32APOJ470M	CHIP EL	47UF	6.3WV
C204,205			CK73GB1H152K	CHIP C	1500PF	K
C206			CC73GCH1H100D	CHIP C	10PF	D
C207-210			CK73GB1H152K	CHIP C	1500PF	K
C211,212			CC73GCH1H470J	CHIP C	47PF	J
C214			CK73GB1H152K	CHIP C	1500PF	K
C215			CK73GB1H103K	CHIP C	0.010UF	K
C216			CK73GB1C104K	CHIP C	0.10UF	K
C220,221			CK73GB1H152K	CHIP C	1500PF	K
C226			CK73GB1H152K	CHIP C	1500PF	K
C227			CE32AP1C100M	CHIP EL	10UF	16WV
C228,229			CK73GB1H152K	CHIP C	1500PF	K
C230			CC73GCH1H120J	CHIP C	12PF	J
C231			CC73GCH1H150J	CHIP C	15PF	J
C232,233			CK73GB1H152K	CHIP C	1500PF	K
C237			CC73GCH1H102J	CHIP C	1000PF	J
C240			CK73GB1H152K	CHIP C	1500PF	K
C301,302			CE32APOG221M	CHIP EL	220UF	4.0WV
C303-314			CK73GB1H152K	CHIP C	1500PF	K
C315			CC73GCH1H100D	CHIP C	10PF	D
C316			CK73GB1H152K	CHIP C	1500PF	K
C317			CK73GF1A105Z	CHIP C	1.0UF	Z
C318-320			CC73GCH1H220J	CHIP C	22PF	J

L : Scandinavia K : USA P : Canada R : Mexico C : China I : Malaysia
Y : PX(Far East,Hawaii) T : England E : Europe G : Germany V : China(Shanghai)
Y : AAFES(Europe) X : Australia Q : Russia H : Korea M : Other Areas ⚠ indicates safety critical components .

* New Parts

Parts without **Parts No.** are not supplied.

Les articles non mentionnés dans le **Parts No.** ne sont pas fournis.

Teile ohne **Parts No.** werden nicht geliefert.

21

Ref. No	Add-ress	New Parts	Parts No.	Description	Desti-nation	Re-marks
C321			CK73GB1C104K	CHIP C 0.10UF	K	
C322			CK73GCH1H220J	CHIP C 22PF	J	
C323,324			CK73GB1H152K	CHIP C 1500PF	K	
C326-329			CK73GB1H152K	CHIP C 1500PF	K	
C330			CK73GB1C104K	CHIP C 0.10UF	K	
C331			CE32AP0G221M	CHIP EL 220UF 4.0WV		
C332-335			CK73FF1C105Z	CHIP C 1.0UF	Z	
C337			CK73GF1A105Z	CHIP C 1.0UF	Z	
C338-349			CK73GB1H152K	CHIP C 1500PF	K	
C351			CE32AP0J470M	CHIP EL 47UF 6.3WV		
C352			CK73GB1C104K	CHIP C 0.10UF	K	
C401-407			CK73GB1H152K	CHIP C 1500PF	K	
C408			CE32AP0G221M	CHIP EL 220UF 4.0WV		
C409			CK73GF1A105Z	CHIP C 1.0UF	Z	
C411			CK73GF1A105Z	CHIP C 1.0UF	Z	
C601			CE32AC0J221M	CHIP EL 220UF 6.3WV		
C602,603			CE32AP0G221M	CHIP EL 220UF 4.0WV		
C604			CE32AP1C101M	CHIP EL 100UF 16WV		
C605			CK73GB1H152K	CHIP C 1500PF	K	
C606			CE32AP0G221M	CHIP EL 220UF 4.0WV		
C608			CK73GB1C104K	CHIP C 0.10UF	K	
C609			CK73FF1C105Z	CHIP C 1.0UF	Z	
C612			CK73GB1H152K	CHIP C 1500PF	K	
CN1			E40-8894-05	FLAT CABLE CONNECTOR		
CN201			E40-8881-05	SOCKET FOR PIN ASSY		
CN603		*	E40-8890-05	FLAT CABLE CONNECTOR		
CN604			E40-8631-05	FLAT CABLE CONNECTOR		
CF1			L72-0780-05	CERAMIC FILTER		
CF3 ,4			L72-0780-05	CERAMIC FILTER		
CF201-203			L72-0780-05	CERAMIC FILTER		
CF601-603			L72-0780-05	CERAMIC FILTER		
CF607			L72-0780-05	CERAMIC FILTER		
L1			L40-4792-39	SMALL FIXED INDUCTOR(4.7UH)		
L3			L40-1001-39	SMALL FIXED INDUCTOR(10UH,K)		
L5 -17			L92-0515-05	FERRITE CORE		
L19 -22			L92-0515-05	FERRITE CORE		
L24 -35			L92-0515-05	FERRITE CORE		
L36 ,37			L40-1001-39	SMALL FIXED INDUCTOR(10UH,K)		
L101			L40-1001-39	SMALL FIXED INDUCTOR(10UH,K)		
L201			L40-1001-39	SMALL FIXED INDUCTOR(10UH,K)		
L202			L92-0515-05	FERRITE CORE		
L204-206			L92-0515-05	FERRITE CORE		
L207			L40-1001-39	SMALL FIXED INDUCTOR(10UH,K)		
L208,209			L92-0515-05	FERRITE CORE		
L211-213			L92-0515-05	FERRITE CORE		
L301-304			L92-0515-05	FERRITE CORE		
L306			L40-1001-93	SMALL FIXED INDUCTOR(10UH,K)		
L307		*	L92-0545-05	CHIP FERRITE		
L401			L92-0515-05	FERRITE CORE		
L601,602			L40-1001-39	SMALL FIXED INDUCTOR(10UH,K)		
L605			L40-1092-39	SMALL FIXED INDUCTOR(1UH)		
L613,614			L92-0515-05	FERRITE CORE		
L630-635			L92-0515-05	FERRITE CORE		
L636		*	L92-0545-05	CHIP FERRITE		

L : Scandinavia K : USA P : Canada R : Mexico C : China I : Malaysia
 Y : PX(Far East,Hawaii) T : England E : Europe G : Germany V : China(Shanghai)
 Y : AAFES(Europe) X : Australia Q : Russia H : Korea M : Other Areas Δ indicates safety critical components .

* New Parts

Parts without **Parts No.** are not supplied.

Les articles non mentionnés dans le **Parts No.** ne sont pas fournis.

Teile ohne **Parts No.** werden nicht geliefert.

22

Ref. No	Add-ress	New Parts	Parts No.	Description	Desti-nation	Re-marks
L637-648			L92-0515-05	FERRITE CORE		
X202			L77-2358-05	CRYSTAL RESONATOR(27MHZ)		
CP301,302			R90-0959-05	MULTIPLE RESISTOR		
CP303-306			R90-0978-05	MULTIPLE RESISTOR		
CP307			R90-0959-05	MULTIPLE RESISTOR		
R1 -6			RK73GB1J153J	CHIP R 15K J 1/16W		
R7			RK73GB1J183J	CHIP R 18K J 1/16W		
R8			RK73GB1J163J	CHIP R 16K J 1/16W		
R9			RK73GB1J105J	CHIP R 1.0M J 1/16W		
R10			RK73GB1J562J	CHIP R 5.6K J 1/16W		
R11			RK73GB1J1R0J	CHIP R 1 J 1/16W		
R12			RN73GH1J153D	CHIP R 15K D 1/16W		
R13			RK73GB1J123J	CHIP R 12K J 1/16W		
R14			RK73GB1J2R2J	CHIP R 2.2 J 1/16W		
R15 ,16			RK73GB1J273J	CHIP R 27K J 1/16W		
R17			RK73GB1J473J	CHIP R 47K J 1/16W		
R18			RK73GB1J102J	CHIP R 1.0K J 1/16W		
R19 -23			RK73GB1J1R0J	CHIP R 1 J 1/16W		
R24 ,25			RK73GB1J123J	CHIP R 12K J 1/16W		
R26			RK73GB1J473J	CHIP R 47K J 1/16W		
R27 ,28			RK73GB1J2R2J	CHIP R 2.2 J 1/16W		
R29			RK73GB1J223J	CHIP R 22K J 1/16W		
R30			RK73GB1J563J	CHIP R 56K J 1/16W		
R31			RN73GH1J123D	CHIP R 12K D 1/16W		
R32 -34			RK73GB1J472J	CHIP R 4.7K J 1/16W		
R101-104			RK73GB1J473J	CHIP R 47K J 1/16W		
R105			RK73GB1J102J	CHIP R 1.0K J 1/16W		
R106-112			RK73GB1J1R0J	CHIP R 1 J 1/16W		
R113-120			RK73GB1J473J	CHIP R 47K J 1/16W		
R121			RK73GB1J102J	CHIP R 1.0K J 1/16W		
R122-124			RK73GB1J473J	CHIP R 47K J 1/16W		
R201,202			RK73GB1J472J	CHIP R 4.7K J 1/16W		
R203-205			RK73GB1J103J	CHIP R 10K J 1/16W		
R206			RK73GB1J473J	CHIP R 47K J 1/16W		
R207			RK73GB1J103J	CHIP R 10K J 1/16W		
R208-218			RK73GB1J473J	CHIP R 47K J 1/16W		
R219			RK73GB1J103J	CHIP R 10K J 1/16W		
R220,221			RK73GB1J473J	CHIP R 47K J 1/16W		
R222			RK73GB1J1R0J	CHIP R 1 J 1/16W		
R223			RK73GB1J102J	CHIP R 1.0K J 1/16W		
R225-229			RK73GB1J221J	CHIP R 220 J 1/16W		
R232			RK73GB1J1R0J	CHIP R 1 J 1/16W		
R233			RK73GB1J101J	CHIP R 100 J 1/16W		
R236			RK73GB1J2R2J	CHIP R 2.2 J 1/16W		
R237,238			RK73GB1J105J	CHIP R 1.0M J 1/16W		
R239			RK73GB1J391J	CHIP R 390 J 1/16W		
R240			RK73GB1J222J	CHIP R 2.2K J 1/16W		
R241			RK73GB1J103J	CHIP R 10K J 1/16W		
R244,245			RK73GB1J103J	CHIP R 10K J 1/16W		
R246,247			RK73GB1J101J	CHIP R 100 J 1/16W		
R248			RK73GB1J223J	CHIP R 22K J 1/16W		
R309			RK73GB1J101J	CHIP R 100 J 1/16W		
R310			RK73GB1J472J	CHIP R 4.7K J 1/16W		
R311-313			RK73GB1J221J	CHIP R 220 J 1/16W		

L : Scandinavia K : USA P : Canada R : Mexico C : China I : Malaysia
 Y : PX(Far East,Hawaii) T : England E : Europe G : Germany V : China(Shanghai)
 Y : AAFES(Europe) X : Australia Q : Russia H : Korea M : Other Areas Δ indicates safety critical components .

PARTS LIST

RD-DV5-S/DV7-L/DV5MD-S

* New Parts
Parts without **Parts No.** are not supplied.
Les articles non mentionnés dans le **Parts No.** ne sont pas fournis.
Teile ohne **Parts No.** werden nicht geliefert.

23

Ref. No	Add-ress	New Parts	Parts No.	Description	Desti-nation	Re-marks
R314			RK73GB1J473J	CHIP R 47K J 1/16W		
R315			RK73GB1J1R0J	CHIP R 1 J 1/16W		
R316			RK73GB1J101J	CHIP R 100 J 1/16W		
R317			RK73GB1J113J	CHIP R 11K J 1/16W		
R318			RK73GB1J752J	CHIP R 7.5K J 1/16W		
R320			RK73GB1J392J	CHIP R 3.9K J 1/16W		
R321,322			RK73GB1J123J	CHIP R 12K J 1/16W		
R323			RK73GB1J752J	CHIP R 7.5K J 1/16W		
R324			RK73GB1J331J	CHIP R 330 J 1/16W		
R327			RK73GB1J102J	CHIP R 1.0K J 1/16W		
R328			RK73GB1J101J	CHIP R 100 J 1/16W		
R331			RK73GB1J101J	CHIP R 100 J 1/16W		
R332-335			RK73GB1J750J	CHIP R 75 J 1/16W		
R337			RK73GB1J101J	CHIP R 100 J 1/16W		
R339,340			RK73GB1J512J	CHIP R 5.1K J 1/16W		
R341			RK73GB1J103J	CHIP R 10K J 1/16W		
R401-407			RK73GB1J1R0J	CHIP R 1 J 1/16W		
R408,409			RK73GB1J473J	CHIP R 47K J 1/16W		
VR301			R32-0104-05	SEMI FIXED VARIABLE RESISTOR		
VR304			R32-0108-05	SEMI FIXED VARIABLE RESISTOR		
W201			R92-1963-05	JUMPER WIRE (RESISTOR TYPE)		
W609,610			R92-1963-05	JUMPER WIRE (RESISTOR TYPE)		
D1			MA111	DIODE		
D3 ,4			DA204U	DIODE		
D101,102			DA204U	DIODE		
D201			MA111	DIODE		
D202,203			DA204U	DIODE		
D301			DA204U	DIODE		
D601			MA111	DIODE		
IC1			MN67706EC	MOS-IC		
IC101			MN103S13BGA	MOS-IC		
IC201			MN102L62GGB	MI-COM IC		
IC202			PST596JNR	ANALOGUE IC		
IC206			X25057M-2.7	MEMORY IC		
IC207			49LV8192A90T	MEMORY IC		
IC210,211			TC7WH74FU	MOS-IC		
IC213			SM8703AV	MOS-IC		
IC217			TC7WH157FU	MOS-IC		
IC218			TC7SHU04FU	MOS-IC		
IC301			MN677533MP	MOS-IC		
IC302			TC7SHU04FU	MOS-IC		
IC401			IS42S16400-7T	MEMORY IC		
IC401			K4S641632ET75	MEMORY IC		
IC401			57V641620HGTH	MEMORY IC		
IC601			PQ025EZ01ZP	ANALOGUE IC		
IC602			PQ1R33	ANALOGUE IC		
IC603			PQ018EZ01ZP	ANALOGUE IC		
Q201			2SC4081(R,S)	TRANSISTOR		
Q202			2SA1576A(R,S)	TRANSISTOR		
Q203			DTC124EUA	DIGITAL TRANSISTOR		
Q301			2SA1576A(R,S)	TRANSISTOR		
Q304			2SA1576A(R,S)	TRANSISTOR		
MD MECHANISM UNIT						
C1000			C92-0171-08	CHIP-C 4.7UF K		

L : Scandinavia K : USA P : Canada R : Mexico C : China I : Malaysia
Y : PX(Far East,Hawaii) T : England E : Europe G : Germany V : China(Shanghai)
Y : AAFES(Europe) X : Australia Q : Russia H : Korea M : Other Areas Δ indicates safety critical components .

24

* New Parts
Parts without **Parts No.** are not supplied.
Les articles non mentionnés dans le **Parts No.** ne sont pas fournis.
Teile ohne **Parts No.** werden nicht geliefert.

Ref. No	Add-ress	New Parts	Parts No.	Description	Desti-nation	Re-marks
C1107			CK73GB1C223K	CHIP C 0.022UF K		
C1110			CK73GF1A105Z	CHIP C 1.0UF Z		
C1111			CK73GF1A105Z	CHIP C 1.0UF Z		
C1112			CC73GCH1H5R0C	CHIP C 5.0PF C		
C1113			CK73GB0J105K	CHIP C 1.0UF K		
C1114			CK73GB1C333K	CHIP C 0.033UF K		
C1115			CK73GB1C333K	CHIP C 0.033UF K		
C1116			CK73GF1A105Z	CHIP C 1.0UF Z		
C1117			CK73GF1A105Z	CHIP C 1.0UF Z		
C1118			CK73GB1A474K	CHIP C 0.47UF K		
C1119			CK73GB1A474K	CHIP C 0.47UF K		
C1121			CK73GB1A224K	CHIP C 0.22UF K		
C1122			CK73GF1A105Z	CHIP C 1.0UF Z		
C1123			CK73GB1C104K	CHIP C 0.10UF K		
C1124			CK73GB1C104K	CHIP C 0.10UF K		
C1125			CK73GF1A105Z	CHIP C 1.0UF Z		
C1161			CK73GB1H102K	CHIP C 1000PF K		
C1200			CK73GF1A105Z	CHIP C 1.0UF Z		
C1201			C92-0172-08	CHIP-C 10UF K		
C1202			CK73GF1A105Z	CHIP C 1.0UF Z		
C1205			CK73GF1A105Z	CHIP C 1.0UF Z		
C1206			C93-0052-08	CHIP C 0.01UF K		
C1207			CK73GF1A105Z	CHIP C 1.0UF Z		
C1208			CC73GCH1H120J	CHIP C 12PF J		
C1209			CC73GCH1H120J	CHIP C 12PF J		
C1211			CK73GF1E104Z	CHIP C 0.10UF Z		
C1230			CK73GF1A105Z	CHIP C 1.0UF Z		
C1260			CK73GF1E104Z	CHIP C 0.10UF Z		
C1261			CC73GCH1H221J	CHIP C 220PF J		
C1262			CC73GCH1H221J	CHIP C 220PF J		
C1263			CC73GCH1H221J	CHIP C 220PF J		
C1264			CC73GCH1H221J	CHIP C 220PF J		
C1265			CC73GCH1H221J	CHIP C 220PF J		
C1266			CC73GCH1H220J	CHIP C 22PF J		
C1300			CC73GCH1H151J	CHIP C 150PF J		
C1301			CK73GB1C223K	CHIP C 0.022UF K		
C1302			C92-0172-08	CHIP-C 10UF K		
C1303			CK73GF1A105Z	CHIP C 1.0UF Z		
C1304			CC73GCH1H221J	CHIP C 220PF J		
C1305			CC73GCH1H680J	CHIP C 68PF J		
C1340			CC73GCH1H101J	CHIP C 100PF J		
C1403			CK73GF1E104Z	CHIP C 0.10UF Z		
C1404			C93-0052-08	CHIP C 0.01UF K		
C1405			CC73GCH1H681J	CHIP C 680PF J		
C1407			CK73GF1E104Z	CHIP C 0.10UF Z		
C1409			CK73GF1A105Z	CHIP C 1.0UF Z		
C1510			CC73GCH1H101J	CHIP C 100PF J		
C1512			CC73GCH1H101J	CHIP C 100PF J		
C1523			CC73GCH1H101J	CHIP C 100PF J		
C1524			CC73GCH1H101J	CHIP C 100PF J		
C1530			CC73GCH1H101J	CHIP C 100PF J		
C1534			CC73GCH1H470J	CHIP C 47PF J		
C1536			CC73GCH1H470J	CHIP C 47PF J		
C1538			CC73GCH1H101J	CHIP C 100PF J		
C1540			CC73GCH1H151J	CHIP C 150PF J		

L : Scandinavia K : USA P : Canada R : Mexico C : China I : Malaysia
Y : PX(Far East,Hawaii) T : England E : Europe G : Germany V : China(Shanghai)
Y : AAFES(Europe) X : Australia Q : Russia H : Korea M : Other Areas Δ indicates safety critical components .

* New Parts

Parts without **Parts No.** are not supplied.

Les articles non mentionnes dans le **Parts No.** ne sont pas fournis.

Teile ohne **Parts No.** werden nicht geliefert.

25

Ref. No	Add-ress	New Parts	Parts No.	Description	Desti-nation	Re-marks
C1563			CK73GF1A105Z	CHIP C	1.0UF	Z
C1602			CC73GCH1H471J	CHIP C	470PF	J
C1603			CC73GCH1H681J	CHIP C	680PF	J
C1606			C92-0172-08	CHIP-C	10UF	K
C1607			CK73GF1A105Z	CHIP C	1.0UF	Z
C1610			C92-0171-08	CHIP-C	4.7UF	K
C1611			CK73GB1H472K	CHIP C	4700PF	K
C1613			C93-0052-08	CHIP C	0.01UF	K
C1616			C92-0259-08	ELECTRO	100UF	10WV
C1619			C93-0044-08	CERAMIC	330PF	J
C1633			CK73GB1C473K	CHIP C	0.047UF	K
C1655			CK73GF1H103Z	CHIP C	0.010UF	Z
C1700			C92-0162-08	ELECTRO	47UF	4WV
C1703			CK73GF1E104Z	CHIP C	0.10UF	Z
C1704			C92-0162-08	ELECTRO	47UF	4WV
C1706			CK73GF1H103Z	CHIP C	0.010UF	Z
C1708			CK73GF1H103Z	CHIP C	0.010UF	Z
C1715			CK73GF1E104Z	CHIP C	0.10UF	Z
C1716			C92-0162-08	ELECTRO	47UF	4WV
C1720			C93-0044-08	CERAMIC	330PF	J
C1721			C93-0044-08	CERAMIC	330PF	J
C1750			CK73GF1E104Z	CHIP C	0.10UF	Z
C1801			C92-0172-08	CHIP-C	10UF	K
C1802			C92-0172-08	CHIP-C	10UF	K
C1806			CK73GF1A105Z	CHIP C	1.0UF	Z
CN1101		*	E41-0781-08	FLAT CABLE CN	QCNCWXM28AFZZ	
CN1300		*	E41-0782-08	PIN ASS'Y	QCNCM891BAFZZ	
CN1401		*	E41-0779-08	FLAT CABLE CN	QCNCWYR09AWZZ	
CN1501		*	E41-0780-08	FLAT CABLE CN	QCNCWYR27AWZZ	
CW1932		*	E35-3172-08	WIRING HARNESS	QCNNWN1744AWZZ	
CW1933		*	E35-3173-08	WIRING HARNESS	QCNNWN1745AWZZ	
FL1501		*	L92-0548-08	CHIP FERRITE	RFILN0002AWZZ	
FL1507		*	L92-0549-08	CHIP FERRITE	RFILN0003AWZZ	
FL1509		*	L92-0549-08	CHIP FERRITE	RFILN0003AWZZ	
FL1512		*	L92-0549-08	CHIP FERRITE	RFILN0003AWZZ	
FL1518		*	L92-0549-08	CHIP FERRITE	RFILN0003AWZZ	
FL1520		*	L92-0549-08	CHIP FERRITE	RFILN0003AWZZ	
FL1523		*	L92-0550-08	CHIP FERRITE	RFILN0007AWZZ	
FL1524		*	L92-0550-08	CHIP FERRITE	RFILN0007AWZZ	
FL1525		*	L92-0550-08	CHIP FERRITE	RFILN0007AWZZ	
L1100			L90-0100-08	COIL	VPBNNR47K0000	
L1101			L90-0099-08	COIL	VPBNN100K0000	
L1200			L90-0301-08	COIL	VPBNN4R7K0000	
L1201			L90-0100-08	COIL	VPBNNR47K0000	
L1202			L90-0100-08	COIL	VPBNNR47K0000	
L1300			L90-0322-08	COIL	RCILC0358AFZZ	
XL1201			L77-2224-08	CRYSTAL RESONATOR	CRSC0001AWZZ	
R1100			RK73EB2B270J	CHIP R	27	J 1/8W
R1101			RK73GB1J1R0J	CHIP R	1	J 1/16W
R1102			RK73GB1J103J	CHIP R	10K	J 1/16W
R1105			RK73GB1J122J	CHIP R	1.2K	J 1/16W
R1110		*	R92-4574-08	CHIP R	680K	F 1/16W
R1111			R92-1947-08	CHIP R	100K	F 1/16W

L : Scandinavia K : USA P : Canada R : Mexico C : China I : Malaysia
 Y : PX(Far East,Hawaii) T : England E : Europe G : Germany V : China(Shanghai)
 Y : AAFES(Europe) X : Australia Q : Russia H : Korea M : Other Areas Δ indicates safety critical components .

* New Parts

Parts without **Parts No.** are not supplied.

Les articles non mentionnes dans le **Parts No.** ne sont pas fournis.

Teile ohne **Parts No.** werden nicht geliefert.

26

Ref. No	Add-ress	New Parts	Parts No.	Description	Desti-nation	Re-marks
R1112			R92-1947-08	CHIP R	100K	F 1/16W
R1113		*	R92-4574-08	CHIP R	680K	F 1/16W
R1114			RK73GB1J123J	CHIP R	12K	J 1/16W
R1115		*	R92-4572-08	CHIP R	330K	F 1/16W
R1116		*	R92-4573-08	CHIP R	47K	F 1/16W
R1117		*	R92-4573-08	CHIP R	47K	F 1/16W
R1118		*	R92-4572-08	CHIP R	330K	F 1/16W
R1119			RK73GB1J224J	CHIP R	220K	J 1/16W
R1120			RK73GB1J564J	CHIP R	560K	J 1/16W
R1121			RK73GB1J104J	CHIP R	100K	J 1/16W
R1122			RK73GB1J123J	CHIP R	12K	J 1/16W
R1123			RK73GB1J123J	CHIP R	12K	J 1/16W
R1124			RK73GB1J222J	CHIP R	2.2K	J 1/16W
R1125			RK73GB1J222J	CHIP R	2.2K	J 1/16W
R1201			R92-1952-08	CHIP R	56K	F 1/16W
R1203			R92-1947-08	CHIP R	100K	F 1/16W
R1205			RK73GB1J683J	CHIP R	68K	J 1/16W
R1207			RK73GB1J393J	CHIP R	39K	J 1/16W
R1209			RK73GB1J101J	CHIP R	100	J 1/16W
R1210			RK73GB1J221J	CHIP R	220	J 1/16W
R1211			RK73GB1J221J	CHIP R	220	J 1/16W
R1214			RK73GB1J103J	CHIP R	10K	J 1/16W
R1215			RK73GB1J105J	CHIP R	1.0M	J 1/16W
R1217			RK73GB1J151J	CHIP R	150	J 1/16W
R1230			R92-1949-08	CHIP R	10K	F 1/16W
R1231			R92-1949-08	CHIP R	10K	F 1/16W
R1250			R92-1823-08	JUMPER R	0	J 1/16W
R1261			RK73GB1J273J	CHIP R	27K	J 1/16W
R1262			RK73GB1J273J	CHIP R	27K	J 1/16W
R1263			RK73GB1J273J	CHIP R	27K	J 1/16W
R1264			RK73GB1J273J	CHIP R	27K	J 1/16W
R1265			RK73GB1J273J	CHIP R	27K	J 1/16W
R1266			RK73GB1J273J	CHIP R	27K	J 1/16W
R1300			RK73GB1J6R8J	CHIP R	6.8	J 1/16W
R1301			RK73GB1J100J	CHIP R	10	J 1/16W
R1304			RK73GB1J151J	CHIP R	150	J 1/16W
R1401			RK73GB1J272J	CHIP R	2.7K	J 1/16W
R1403			RK73GB1J271J	CHIP R	270	J 1/16W
R1406			RK73GB1J103J	CHIP R	10K	J 1/16W
R1407			RK73GB1J332J	CHIP R	3.3K	J 1/16W
R1408			RK73GB1J332J	CHIP R	3.3K	J 1/16W
R1414			RK73GB1J224J	CHIP R	220K	J 1/16W
R1415			RK73GB1J102J	CHIP R	1.0K	J 1/16W
R1417			RK73GB1J102J	CHIP R	1.0K	J 1/16W
R1418			RK73GB1J102J	CHIP R	1.0K	J 1/16W
R1420			RK73GB1J102J	CHIP R	1.0K	J 1/16W
R1430			RK73GB1J103J	CHIP R	10K	J 1/16W
R1435			RK73GB1J103J	CHIP R	10K	J 1/16W
R1441			RK73GB1J473J	CHIP R	47K	J 1/16W
R1443			RK73GB1J102J	CHIP R	1.0K	J 1/16W
R1446			RK73GB1J103J	CHIP R	10K	J 1/16W
R1460			RK73GB1J103J	CHIP R	10K	J 1/16W
R1463			RK73GB1J103J	CHIP R	10K	J 1/16W
R1515			RK73GB1J221J	CHIP R	220	J 1/16W
R1516			RK73GB1J221J	CHIP R	220	J 1/16W

L : Scandinavia K : USA P : Canada R : Mexico C : China I : Malaysia
 Y : PX(Far East,Hawaii) T : England E : Europe G : Germany V : China(Shanghai)
 Y : AAFES(Europe) X : Australia Q : Russia H : Korea M : Other Areas Δ indicates safety critical components .

PARTS LIST

RD-DV5-S/DV7-L/DV5MD-S

* New Parts

Parts without **Parts No.** are not supplied.Les articles non mentionnés dans le **Parts No.** ne sont pas fournis.Teile ohne **Parts No.** werden nicht geliefert.

27

Ref. No	Add-ress	New Parts	Parts No.	Description	Desti-nation	Re-marks
R1517			RK73GB1J470J	CHIP R	47	J 1/16W
R1518			RK73GB1J470J	CHIP R	47	J 1/16W
R1521			RK73GB1J102J	CHIP R	1.0K	J 1/16W
R1529			RK73GB1J221J	CHIP R	220	J 1/16W
R1532			RK73GB1J273J	CHIP R	27K	J 1/16W
R1533			RK73GB1J102J	CHIP R	1.0K	J 1/16W
R1534			RK73GB1J102J	CHIP R	1.0K	J 1/16W
R1535			RK73GB1J102J	CHIP R	1.0K	J 1/16W
R1536			RK73GB1J102J	CHIP R	1.0K	J 1/16W
R1537			RK73GB1J102J	CHIP R	1.0K	J 1/16W
R1538			RK73GB1J102J	CHIP R	1.0K	J 1/16W
R1601			RK73GB1J123J	CHIP R	12K	J 1/16W
R1605			RK73GB1J123J	CHIP R	12K	J 1/16W
R1612			RK73GB1J563J	CHIP R	56K	J 1/16W
R1614			RK73GB1J333J	CHIP R	33K	J 1/16W
R1616			RK73GB1J123J	CHIP R	12K	J 1/16W
R1618			RK73GB1J223J	CHIP R	22K	J 1/16W
R1621			RK73GB1J682J	CHIP R	6.8K	J 1/16W
R1622			RK73GB1J223J	CHIP R	22K	J 1/16W
R1623			RK73GB1J223J	CHIP R	22K	J 1/16W
R1624			RK73GB1J682J	CHIP R	6.8K	J 1/16W
R1631			RK73GB1J304J	CHIP R	300K	J 1/16W
R1633			RK73GB1J683J	CHIP R	68K	J 1/16W
R1634			RK73GB1J104J	CHIP R	100K	J 1/16W
R1701			RK73GB1J473J	CHIP R	47K	J 1/16W
R1702			RK73GB1J333J	CHIP R	33K	J 1/16W
R1703			RK73GB1J3R9J	CHIP R	3.9	J 1/16W
R1704			RK73GB1J3R9J	CHIP R	3.9	J 1/16W
R1705			RK73GB1J3R9J	CHIP R	3.9	J 1/16W
R1716			RK73GB1J104J	CHIP R	100K	J 1/16W
R1802			RK73GB1J563J	CHIP R	56K	J 1/16W
R1803			RK73GB1J333J	CHIP R	33K	J 1/16W
R1804			RK73GB1J391J	CHIP R	390	J 1/16W
R1806			RK73EB2B1R0J	CHIP R	1	J 1/8W
R1807			RK73GB1J273J	CHIP R	27K	J 1/16W
R1809			RK73EB2B1R0J	CHIP R	1	J 1/8W
R1811			RK73EB2B1R0J	CHIP R	1	J 1/8W
R1931			RK73GB1J102J	CHIP R	1.0K	J 1/16W
R1932			RK73GB1J471J	CHIP R	470	J 1/16W
R1933			RK73GB1J561J	CHIP R	560	J 1/16W
R1934			RK73GB1J181J	CHIP R	180	J 1/16W
SW1930			S68-0126-08	PUSH SWITCH	QSW-P0011AWZZ	
SW1932			S64-0049-08	LEVER SWITCH	QSW-M0007AWZZ	
SW1933			S64-0049-08	LEVER SWITCH	QSW-M0007AWZZ	
SW1934			S64-0049-08	LEVER SWITCH	QSW-M0007AWZZ	
SW1936			S64-0050-08	LEVER SWITCH	QSW-M0157AFZZ	
D1300			SBE803	DIODE	VHDSBE803/-1	
IC1101			IR3R58M	MOS-IC	VHIIIR3R58M/-1	
IC1201		*	LR37816A	MOS-IC	VHILR37816A-1	
IC1202			IX2474AF	MEMORY IC	RH-IX2474AFZZ	
IC1300			74ACT02T	MOS-IC	VHI74ACT02T-1	
IC1301			FTD2005	MOS-IC	VHIFTD2005/-1	
IC1302			CPH5608	MOS-IC	VHICPH5608/-1	
IC1401		*	IX0423AW	MI-COM IC	RH-IX0423AWZZ	

L : Scandinavia K : USA P : Canada R : Mexico C : China I : Malaysia

Y : PX(Far East,Hawaii) T : England E : Europe G : Germany V : China(Shanghai)

Y : AAFES(Europe) X : Australia Q : Russia H : Korea M : Other Areas Δ indicates safety critical components.

* New Parts

Parts without **Parts No.** are not supplied.Les articles non mentionnés dans le **Parts No.** ne sont pas fournis.Teile ohne **Parts No.** werden nicht geliefert.

28

Ref. No	Add-ress	New Parts	Parts No.	Description	Desti-nation	Re-marks
IC1402		*	CAT24WC02U	MEMORY IC	VHIC24WC02U-1	
IC1402			58X2402T	MEMORY IC	VHI58X2402T-1	
IC1601			M56788F	ANALOGUE IC	VHIM56788FP-1	
IC1701		*	UDA1345TS	DI BI-POLAR IC	VHIUDA1345/-1	
IC1801			XC62EP32	ANALOGUE IC	VHIXC62EP32-1	
IC1802		*	XC62FP26P	ANALOGUE IC	VHIXC62FP26P1	
Q1501			DTC114YK	TRANSISTOR	VSDTC114YK/-1	
Q1501			KRC107S	TRANSISTOR	VSKRC107S/-1	
Q1501			RNC1407	TRANSISTOR	VSRNC1407/-1	
Q1501			UN2214	TRANSISTOR	VSUN2214/-1	
Q1631			2SC2712GR	TRANSISTOR	VS2SC2712GR-1	
Q1631		*	2SC3052F	TRANSISTOR	VS2SC3052F/-1	
Q1631		*	2SC3875GR	TRANSISTOR	VSKTC3875GR-1	
Q1631			2SD601AR	TRANSISTOR	VS2SD601AR/-1	
Q1804		*	2SB1205	TRANSISTOR	VS2SB1205++-1	
Q1807			U2SD601AR	TRANSISTOR	VS2SD601AR/-1	
Q1807		*	2SC3875GR	TRANSISTOR	VSKTC3875GR-1	
Q1807			2SC3928AR	TRANSISTOR	VS2SC3928AR-1	
DVD MECHANISM (D40-1723-05)						
102	3B	*	A11-1216-08	CHASSIS(MID)	RMR1376-K	
103	1B,2B	*	D21-2924-08	PIN(FIXED)	RMS0712	
104	2B	*	J26-0143-08	P.C.B(INTER)	REP3091A-1N	
106	2B	*	J02-1534-08	RUBBER	RMG0545-A	
107	2B	*	D13-2576-08	GEAR(A)	RDG0499	
109	1B,2B	*	J19-6289-08	HOLDER(A)	RMC0415	
110	2B	*	J19-6290-08	HOLDER(B)	RMC0416	
111	2B	*	G01-4300-08	SP(ADJ)	RMCC0320	
112	1B	*	D13-2577-08	RACK(DRIVE)	RMM0234	
113	1B	*	D10-5019-08	SHAFT(DRIVE)	RMSC0710	
114	2B	*	D10-5020-08	SHAFT(GUIDE)	RMSC0711	
117	2B	*	D13-2578-08	GEAR(B)	RDG0500	
118	1B	*	D13-2579-08	GEAR(C)	RDG0501	
119	1B	*	G01-4301-08	SP(GEAR)	RME0319	
120	2B	*	G13-2517-08	RUBBER(PCB)	RMGC0558-K	
121	3A	*	J99-0835-08	TRAY	RGQ0280-K	
122	3B	*	A10-3569-08	CHASSIS	RXQ0748	
123	2A	*	G01-4302-08	SP(CLAMPER)	RME0318	
124	1A	*	A11-1217-08	PLATE(CLAMPER)	RMR1317-K	
125	1A	*	J19-6291-08	HOOK(SP)	RMR1318-X	
126	2A	*	J19-6292-08	HOLDER(SP)	RMR1321-X	
127	2A	*	J11-0882-08	CLAMPER	RXQ0724	
128	2A	*	J19-6293-08	HOLDER(MAGN)	RXQ0729	
129	3B	*	S64-0059-08	SWITCH(OPEN)	RSH1A049-U	
133	2B	*	J80-0046-08	FPC	RJB2308A	
134	2B	*	G02-1743-08	SP(SHAFT)	RMC0418	
136	1B	*	G13-2518-08	RUBBER	RMG0561-T	
A		*	N09-5392-08	SCREW	RHD20060	
B		*	N09-5393-08	SCREW	RHD17028	
C		*	N09-5162-08	SCREW	VHD1224	
D		*	N09-5394-08	SCREW	XTW3+12S	
E		*	N09-5395-08	SCREW	HA	
F			N09-3462-08	SCREW	VHD1057	
DM	2B	*	T42-1117-08	MOTOR ASS'Y	RXQ0745	

L : Scandinavia K : USA P : Canada R : Mexico C : China I : Malaysia

Y : PX(Far East,Hawaii) T : England E : Europe G : Germany V : China(Shanghai)

Y : AAFES(Europe) X : Australia Q : Russia H : Korea M : Other Areas Δ indicates safety critical components.

HOW TO READ THE PARTS LIST

ABBREVIATION OF MODEL AND MASS PRODUCTION'S DESTINATIONS

MODEL	ABB.	Australia	Canada	China	England	Europe	Germany	Korea	Malaysia
RD-DV5MD-S	-	-	-	-	-	-	-	-	-
RD-DV5-S	-	-	-	-	T	E	-	-	-
RD-DV7-L	-	X2	-	-	T2	E2	-	-	-

MODEL	ABB.	Mexico	PX/AAFES	Russia	Scandinavia	Shanghai	USA	Other area
RD-DV5MD-S	-	-	-	-	-	-	-	M
RD-DV5-S	-	-	-	-	-	-	-	-
RD-DV7-L	-	-	-	-	-	V2	-	M2

* New Parts

Parts without **Parts No.** are not supplied.

Les articles non mentionnés dans le **Parts No.** ne sont pas fournis.

Teile ohne **Parts No.** werden nicht geliefert.

29

Ref. No	Add-ress	New Parts	Parts No.	Description	Desti-nation	Re-marks
PU	1B	*	T25-0121-08	PICK-UP RAF3020A-1C		
MD MECHANISM (D40-1724-05)						
202	2C		A10-3517-08	CHASSIS	LCHSM0089AWZZ	
203	2D		A11-1179-08	SUB CHASSIS	LCHSM0090AWZZ	
204	1C		J19-6075-08	HOLDER ASS'Y	LHLDX3009AWM1	
205	1C		D10-3941-08	SLIDER ASS'Y	MLEVF0051AWM1	
207	1C		D10-3942-08	ARM	MLEVF0046AWFW	
208	2C		D10-3943-08	ARM	MLEVF0047AWFW	
209	2D	*	D10-5022-08	ARM	MLEVF0082AWFW	
210	1C		D10-3945-08	SLIDER	MLEVP0095AWZZ	
212	1C		G01-4200-08	TORSION COIL SPMSPRD0132AWFJ		
214	3D		G02-1703-08	FLAT SP	MSPRP0030AWFJ	
215	3C		G02-1704-08	FLAT SP	MSPRP0031AWFJ	
216	1C		G01-4201-08	EXTENSION SP	MSPRT0031AWFJ	
217	2C		G01-4202-08	EXTENSION SP	MSPRT0032AWFJ	
218	1C		D13-1992-08	GEAR	NGERH0147AWZZ	
219	1C		D13-1993-08	GEAR	NGERH0086AWZZ	
220	1C		D13-1994-08	GEAR	NGERH0087AWZZ	
221	1C		D13-1995-08	GEAR	NGERH0088AWZZ	
222	2C		D13-1996-08	GEAR	NGERH0089AWZZ	
224	3D		D13-1997-08	RACK (GEAR)	NGERR0004AWZZ	
227	3D		D19-0322-08	LEAD SCREW	NSFTD0006AWM1	
228	3D		D10-3946-08	ROD	NSFTM0019AWFW	
230	1D		A01-3756-08	METALLIC CABI	PCOV3029AWFW	
231	2D	*	A01-3846-08	METALLIC CABI	PCOV3035AWFW	
232	3D	*	A01-3847-08	METALLIC CABI	PCOV3036AWFW	
233	1D		J02-1478-08	INSULATOR	PCUSG0045AWZZ	
236	1C		G01-4203-08	EXTENSION SP	MSPRT0034AWFJ	
PWB-E	2C,3C	*	J70-1579-08	PRINTED WIRING	QPWBF0649AWZZ	
CW1931	3C	*	E35-3171-08	FLAT CABLE	QCNWN1742AWZZ	
BC			N09-3434-08	MACHINE SCREW	LX-BZ0800AFZZ	
BF			N09-5198-08	MACHINE SCREW	LX-JZ0022AWZZ	
BH			N09-5199-08	MACHINE SCREW	XBPSD20P03K00	
BJ			N09-5200-08	MACHINE SCREW	XSPSN17P03K00	
DE			N09-5197-08	MACHINE SCREW	LX-JZ0020AWZZ	
M901	3C		T42-0974-08	MOTOR ASS'Y	RMOTV0038AWZZ	
M902	3C		T42-0975-08	MOTOR ASS'Y	92LMTR3167BASY	
M903	2D		T42-0976-08	MOTOR ASS'Y	92LMTR3167AASY	
MDPU	3D		T25-0099-08	OPTICAL PICKUP	RCTRH8198AFZZ	
MDRH	2D	*	T30-0032-08	RECORD HEAD	RCILH0005AWZZ	

L: Scandinavia

K: USA

P: Canada

R: Mexico

C: China

I: Malaysia

Y: PX(Far East,Hawaii)

T: England

E: Europe

G: Germany

V: China(Shanghai)

Y: AAFES(Europe)

X: Australia

Q: Russia

H: Korea

M: Other Areas

△ indicates safety critical components.

PARTS LIST

RD-DV5-S/DV7-L/DV5MD-S

RD-DV5-S/DV7-L/DV5MD-S

SPECIFICATIONS

RD-DV5

Main unit

[Amplifier section]

Effective output power (P.S.A. on, one channel driven)
(1 kHz, 10% T.H.D., at 6 Ω) (RMS) .. 20 W + 20 W

[Tuner section]

FM tuner section

Tuning frequency range 87.5 MHz ~ 108 MHz

MW (AM) tuner section

Tuning frequency range 531 kHz ~ 1,602 kHz

[DVD/CD player section]

Laser Semiconductor laser

Laser wave length 643 to 683 nm

Laser power class Class 2 (IEC)

D/A Conversion 1 Bit

Video output format NTSC/PAL

[General]

Power consumption 75 W

Dimensions W : 240 mm (9-7/16")

H : 139 mm (5-1/2")

D : 360 mm (14-3/16")

Weight (net) 5.7 kg (12.6 lb)

RD-DV7

Main unit

[Amplifier section]

Effective output power (P.S.A. on, one channel driven)
Right, Left (1 kHz, 10% T.H.D., at 8 Ω) (RMS)

..... 5 W + 5 W

Center (1 kHz, 10% T.H.D., at 8 Ω) (RMS) 5 W

Subwoofer (100 Hz, 10% T.H.D., at 8 Ω) (RMS)

..... 20 W

[Tuner section]

FM tuner section

Tuning frequency range 87.5 MHz ~ 108 MHz

MW (AM) tuner section

Tuning frequency range

9 kHz step 531 kHz ~ 1,602 kHz

10 kHz step 530 kHz ~ 1,610 kHz

[DVD/CD player section]

Laser Semiconductor laser

Laser wave length 643 to 683 nm

Laser power class Class 2 (IEC)

D/A Conversion 1 Bit

Frequency response

Sampling frequency

44.1kHz (CD only) 20 Hz~20 kHz

48 kHz 20 Hz~22 kHz

96 kHz 20 Hz~40 kHz

[General]

Power consumption 75 W

Dimensions W : 240 mm (9-7/16")

H : 139 mm (5-1/2")

D : 360 mm (14-3/16")

Weight (net) 5.7 kg (12.6 lb)

RD-DV5MD

Main unit

[Amplifier section]

Effective output power (P.S.A. on, one channel driven)
(1 kHz, 10% T.H.D., at 6 Ω) 20 W + 20 W

[Tuner section]

FM tuner section

Tuning frequency range 87.5 MHz ~ 108 MHz

MW (AM) tuner section

Tuning frequency range

9 kHz step 531 kHz ~ 1,602 kHz

10 kHz step 530 kHz ~ 1,610 kHz

[MD recorder section]

Laser Semiconductor laser

Laser wave length 770 to 800 nm

Laser power class Class 3B (IEC)

Recording method

..... Field modulation overwrite method

Audio compression ATRAC, ATRAC 3

D/A Conversion 1 Bit

[DVD/CD player section]

Laser Semiconductor laser

Laser wave length 643 to 683 nm

Laser power class Class 2 (IEC)

D/A Conversion 1 Bit

Video output format NTSC/PAL

[General]

Power consumption 75 W

Dimensions W: 240 mm (9-7/16")

H : 139 mm (5-1/2")

D : 360 mm (14-3/16")

Weight (net) 6.1 kg (13.4 lb)



KENWOOD follows a policy of continuous advancements in development. For this reason specifications may be changed without notice. Sufficient performance may not be exhibited at extremely cold locations (where water freezes).

Note:

Component and circuit are subject to modification to insure best operation under differing local conditions. This manual is based on Europe (E) standard, and provides information on regional circuit modification through use of alternate schematic diagrams, and information on regional component variations through use of parts list.

KENWOOD CORPORATION

14-6, Dogenzaka 1-chome, Shibuya-ku, Tokyo, 150-8501 Japan

KENWOOD SERVICE CORPORATION

P.O. BOX 22745, 2201 East Dominguez St., Long Beach, CA 90801-5745, U.S.A.