

RX-29/39/49/59

SERVICE MANUAL

(M-29/49/383LD/686M)

KENWOOD



© 1985-9 PRINTED IN KOREA
B51-5103-00 (K) 2241

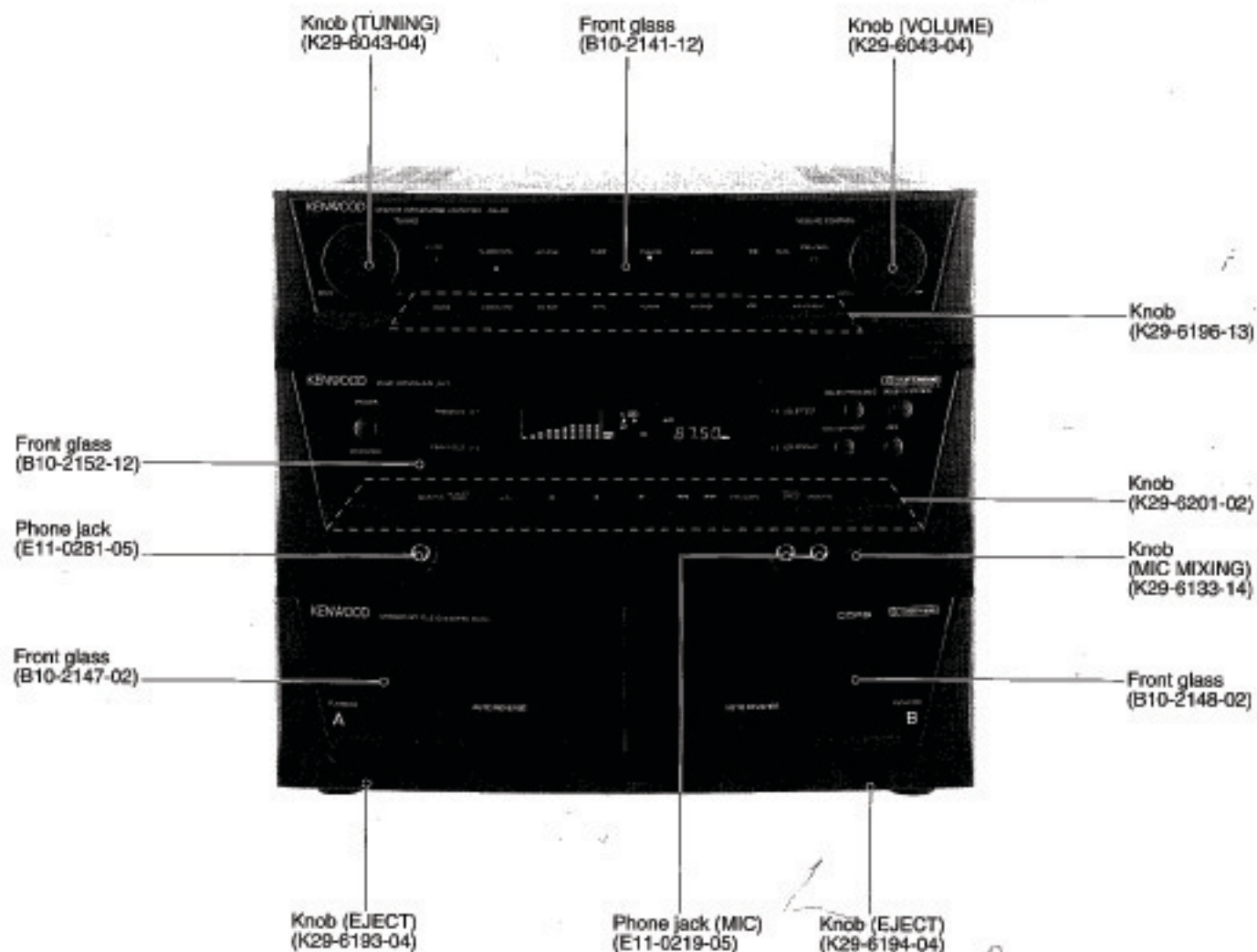


Photo is RX-49.

PRECAUTIONS FOR REPAIR

- For the operation of the cassette mechanism, see Service Manual(B51-5091-00) of RXD-F3.

CONTENTS / ACCESSORIES

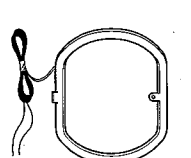

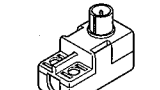
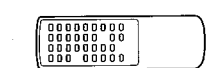

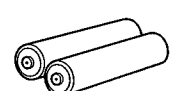
Contents

ACCESSORIES	2	PC BOARD	17
CONTROL	4	SCHEMATIC DIAGRAM	23
REMOTE CONTROL OPERATION	8	EXPLODED VIEW (MECHANISM)	43
DISASSEMBLY FOR REPAIR	10	EXPLODED VIEW (UNIT)	45
BLOCK DIAGRAM	11	PARTS LIST	47
CIRCUIT DESCRIPTION	13	SPECIFICATIONS	Back cover
ADJUSTMENT	16		

System configuration

System Name	Main unit	CD player	LD player	Speaker
M-29	RX-29	DP-29	—	LS-29
M-29M	RX-29	DP-R49	—	LS-29
M-49	RX-49	DP-29	—	LS-49
M-49M	RX-49	DP-R49	—	LS-49
M-383LD	RX-39	—	LVD-59	LS-39
M686M	RX-59	DP-R49	—	LS-59
M-686LD	RX-59	—	LVD-59	LS-59

Accessories

AM loop antenna assy.....(1) (T90-0195-05)	FM indoor antenna.....(1) (T90-0182-15)	Antenna adapter.....(1) (For U.K. and Europe) (T90-0198-05)	Remote control unit(1) RX-29 (A70-1024-05) : RC-29 RX-39 (A70-1035-05) : RC-39 RX-49 (A70-1025-05) : RC-49 RX-59 (A70-1026-05) : RC-59
			
Loop antenna stand (J19-3645-05)	AC plug adapter.....(1) (Except for the U.S.A., Canada, Mexico, Europe, U.K. and Australia) (E03-0115-05)	Batteries(R6/AA).....(2)	Battery cover : (A09-0194-08)
			

For the unit with a European AC plug in areas other than Europe.

Beware of condensation

When water vapor comes into contact with the surface of a cold material, condensation is produced. If condensation occurs, correct operation may not be possible, or the unit may not function correctly. This is not a malfunction, however, and the unit should be dried-out. (To do this, turn the POWER switch ON and leave the unit as it is for several hours.)

Be especially careful in the following conditions:

- When the unit is brought from a cold place to a warm place, and there is a large temperature difference.
- When a heater starts operating.
- When the unit is brought from an air-conditioned place to a place of high temperature with high humidity.
- When there is a large difference between the internal temperature of the unit and the ambient temperature, or in conditions where condensation occurs easily.

EXTERNAL VIEW / MAINTENANCE

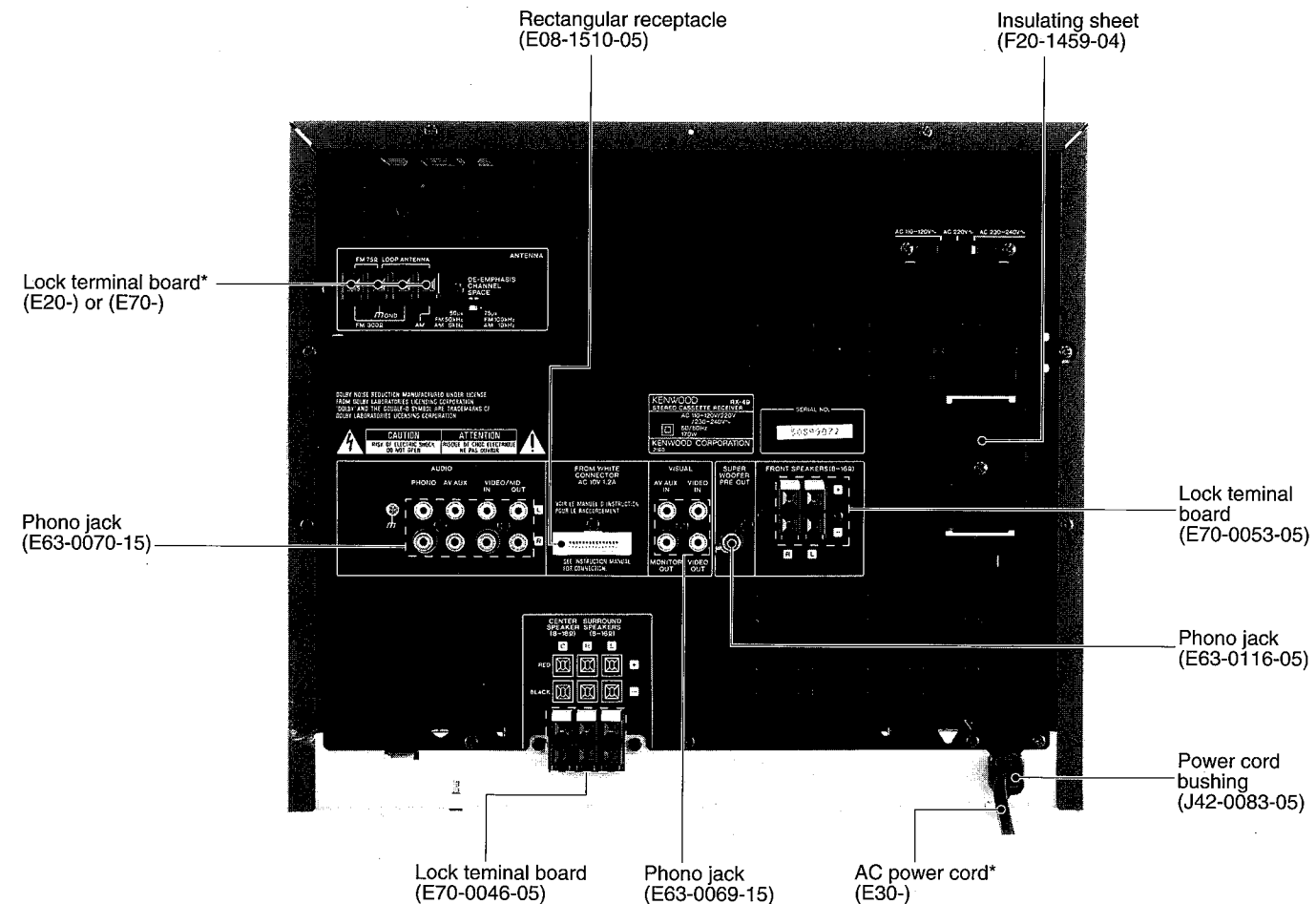


Photo is RX-49

*Refer to parts list on page 53.

Memory backup function

When the power plug is connected to an AC outlet, memory backup is executed for the following setting contents.

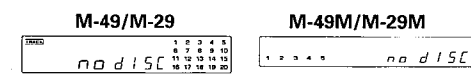
Clock display	Tuner unit
POWER status (ON or OFF)	Receiving band
	Frequency
	Preset stations
	Program settings
Amplifier unit	Cassette deck unit
Surround	Transport direction
Equalizer	DOLBY NR
	Reverse mode
	AV/B deck selection

Caution :
The time display blinks after a power failure or when the power cord has been unplugged from the AC outlet and plugged in again. In such a case, adjust the clock again. (When the other preset memory contents are lost, please enter them again.)

Note related to transportation and movement (CD player)

Before transporting or moving this unit, carry out the following operations.

1. Turn the power ON but do not load a disc.
● Press the ►/|| key to check that no disc is present on the tray.
2. Wait a few seconds and verify that the display shown appears.

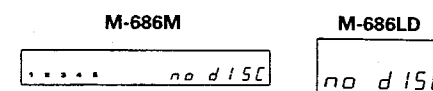


3. Turn the power OFF.

Note related to transportation and movement (CD player)

Before transporting or moving this unit, carry out the following operations.

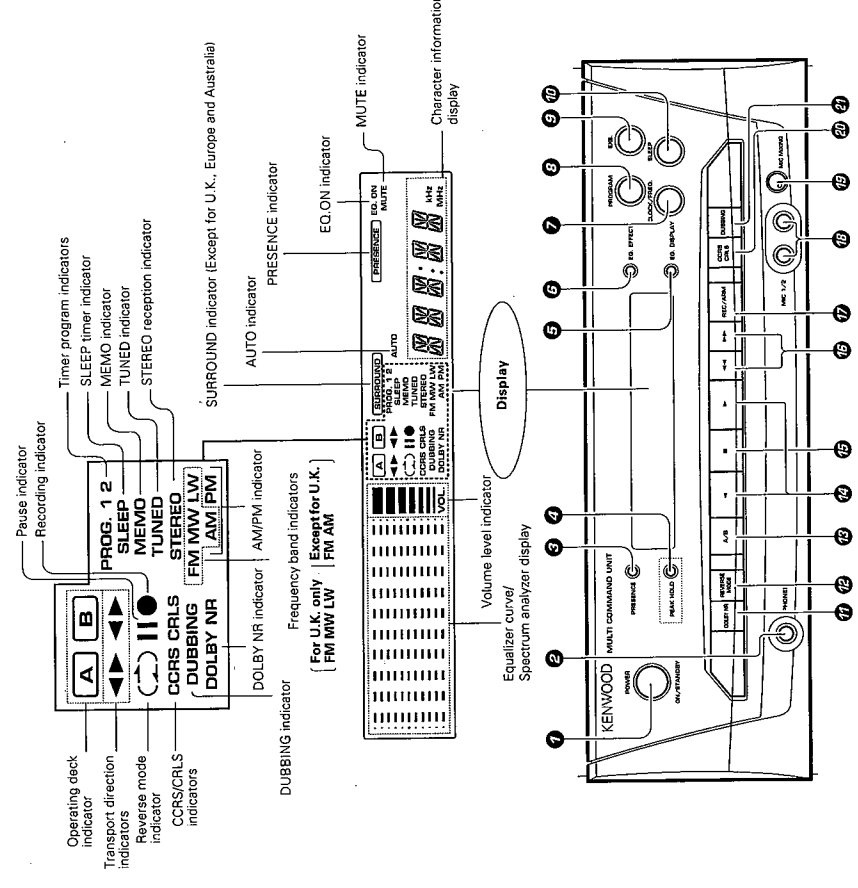
1. Turn the power ON but do not load a disc.
● Press the ►/|| key to check that no disc is present on the tray.
2. Wait a few seconds and verify that the display shown appears.



3. Turn the power OFF.

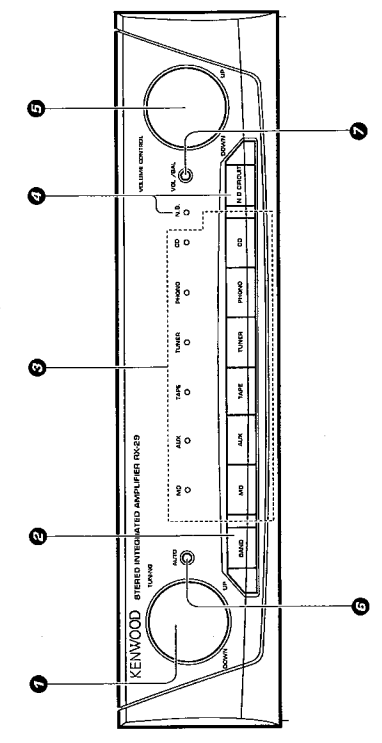
CONTROL

Multi command unit(RX-29)



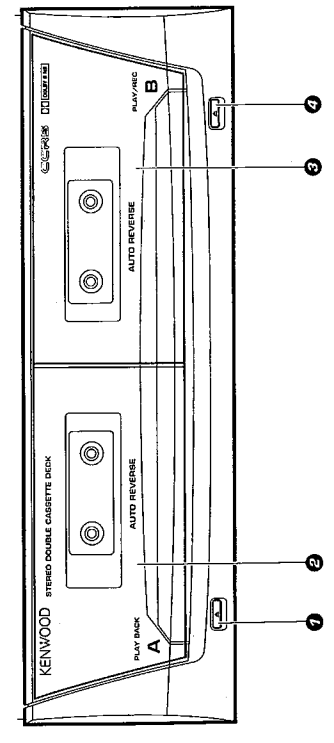
- 1 POWER key
Press to turn the POWER ON/OFF.
- 2 PHONES jack
Connect headphones for listening through them.
- 3 PRESENCE key
Press for presence play.
For U.K., Europe and Australia
For other countries
- 4 EJECT key
Press to eject the cassette.
- 5 CLOCK/FREQ. key
- 6 PROGRAM key
- 7 EXE. key
- 8 SLEEP key
- 9 DOLBY NR key
Press to switch over the play modes.
For U.K., Europe and Australia
For other countries
- 10 EJECT key
Press to eject the playback deck.
- 11 PLAY key
- 12 STOP key
- 13 Fast Forward/Rewind keys
- 14 REC/ARM key
- 15 MIC 1/2 jacks
Turn to adjust the microphone input volume.
- 16 CCRS/CRLS key
- 17 DUBBING key
Press for dubbing between tapes.

Amplifier unit(RX-29)



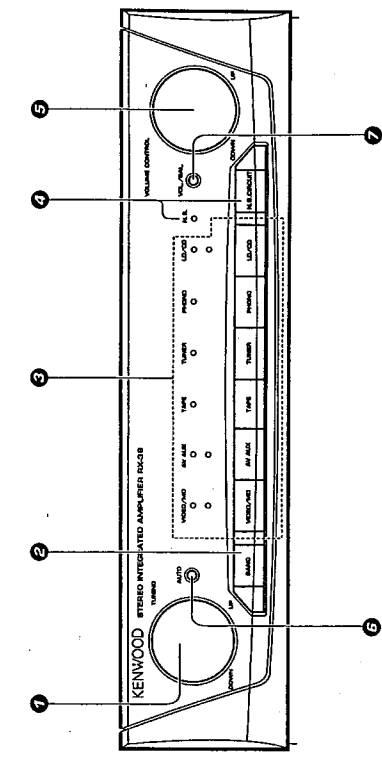
- 1 TUNING knob
Turn to select the station to be received.
- 2 BAND key
Press to select the required frequency band.
- 3 Input selector keys / Indicators
Press to select the component to be played.
- 4 N.B. CIRCUIT key
Press to ON to activate automatic compensation of bass tone.
- 5 VOLUME CONTROL knob
Turn to select stations in auto tuning mode.
- 6 VOL./BAL. key
Press to adjust the volume balance between the left and right speakers.
- 7 AUTO key

Cassette deck unit



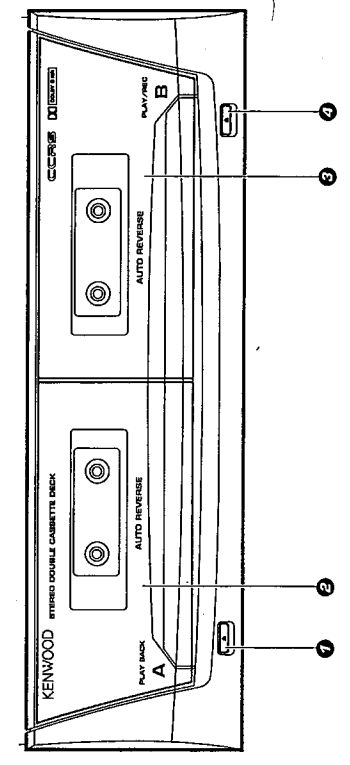
- 1 Deck A eject key
- 2 Deck A cassette holder
- 3 Deck B eject key
- 4 Deck B cassette holder

Amplifier unit(RX-39)



- 1 TUNING knob
Turn to select the station to be received.
- 2 BAND key
Press to select the required frequency band.
- 3 Input selector keys / Indicators
Press to select the component to be played.
Red : Audio system
Green : Video system
- 4 N.B. CIRCUIT key / Indicator
Press to ON to activate automatic compensation of bass tone.
- 5 VOLUME CONTROL knob
- 6 AUTO key
Press to receive stations in auto tuning mode.
- 7 VOL./BAL. key
Press to adjust the volume balance between the left and right speakers.

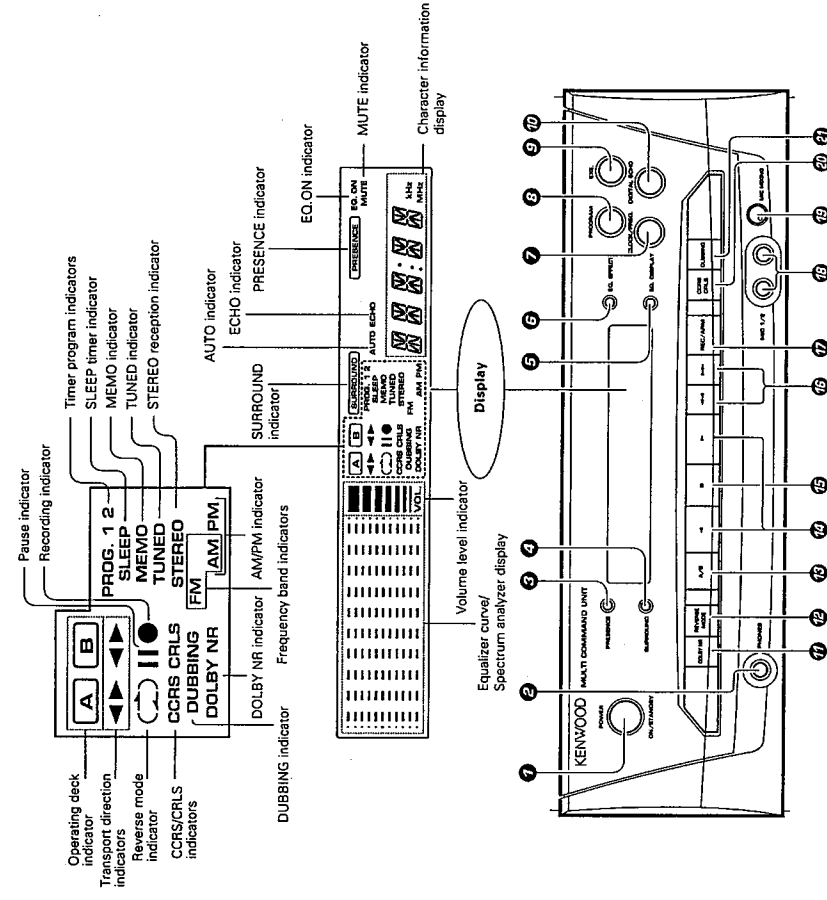
Cassette deck unit



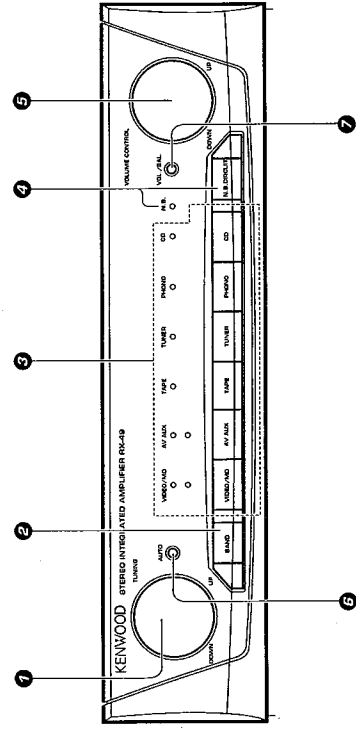
- 1 Deck A eject key
- 2 Deck A cassette holder
- 3 Deck B eject key
- 4 Deck B cassette holder

CONTROL

Multi command unit(RX-39)

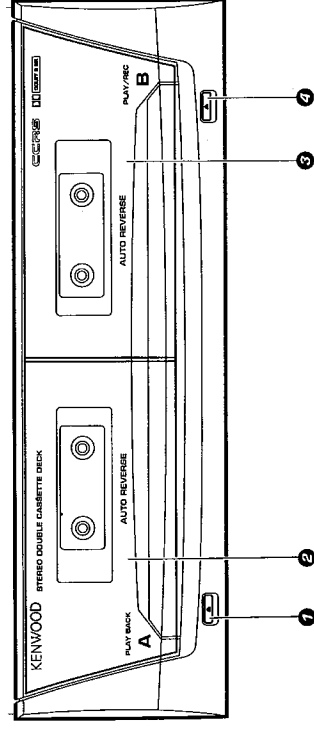


- 1 POWER key
Press to turn the POWER ON/OFF.
- 2 PHONES jack
Connect headphones for listening through them.
- 3 PRESENCE key
Press for presence play.
For U.K., Europe and Australia
For other countries
- 4 EJECT key
Press to eject the cassette.
- 5 CLOCK/FREQ. key
- 6 PROGRAM key
- 7 EXE. key
- 8 DIGITAL ECHO key
Press to apply echo to the microphone input sound.
- 9 DOLBY NR key
Press to switch over the play modes.
- 10 A/B Selector key
Press to select the playback deck.
- 11 PLAY key
- 12 STOP key
- 13 Fast Forward/Rewind keys
- 14 REC/ARM key
- 15 MIC 1/2 jacks
Turn to adjust the microphone input volume.
- 16 CCRS/CRLS key
- 17 DUBBING key
Press for dubbing between tapes.



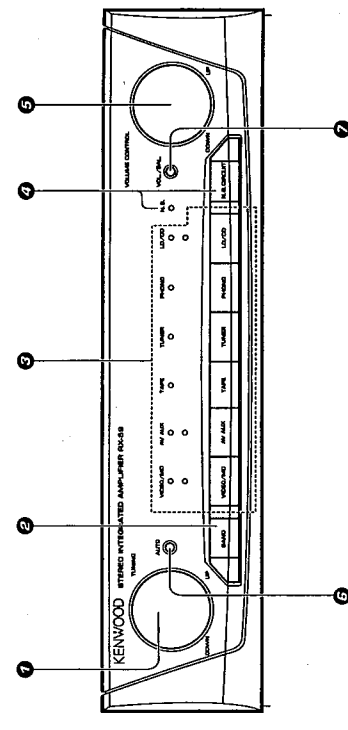
- 1 **TUNING knob**
Turn to select the station to be received.
- 2 **BAND key**
Press to select the required frequency band.
- 3 **Input selector keys / indicators**
Press to select the component to be played.
Indicators: Audio system
Red : Audio system
Green : Video system
- 4 **VOLUME CONTROL knob**
Press to activate automatic compensation of bass tone.
- 5 **N.B. CIRCUIT key**
Press to ON to activate automatic compensation of bass tone.
- 6 **AUTO key**
Press to receive stations in auto tuning mode.
- 7 **VOL/BAL key**
Press to adjust the volume balance between the left and right speakers.

Cassette deck unit



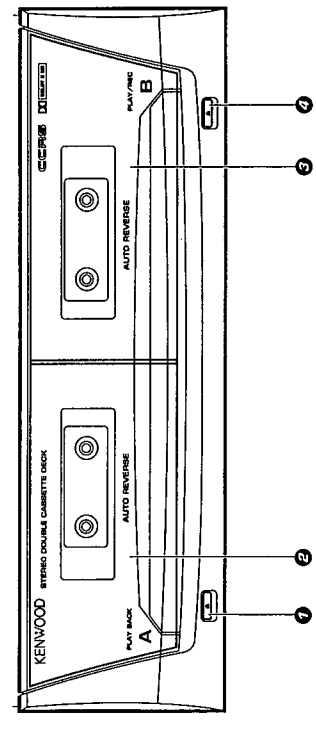
- 1 **Deck A eject key**
- 2 **Deck A cassette holder**
- 3 **Deck B eject key**
- 4 **Deck B cassette holder**

Amplifier unit(RX-59)



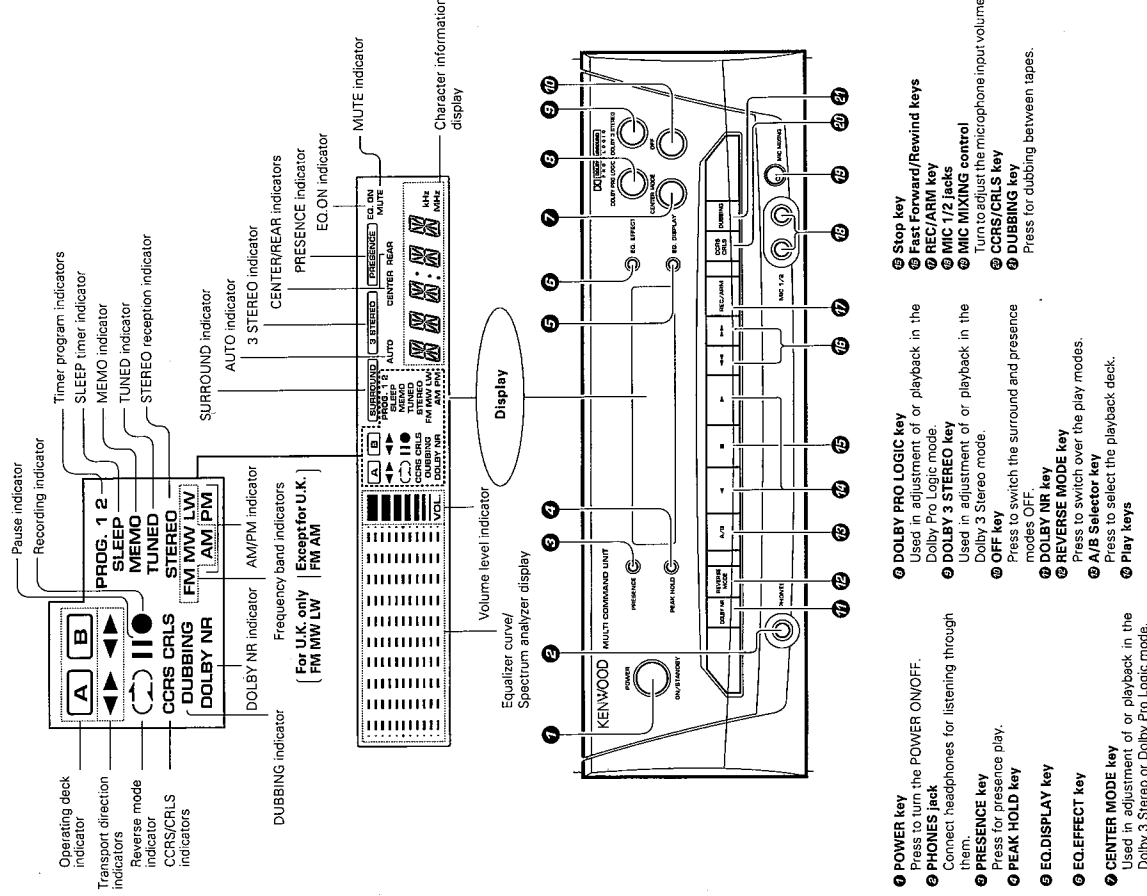
- 1 **TUNING knob**
Turn to select the station to be received.
- 2 **BAND key**
Press to select the required frequency band.
- 3 **Input selector keys / indicators**
Press to select the component to be played.
Indicators: Audio system
Red : Audio system
Green : Video system
- 4 **VOLUME CONTROL knob**
Press to activate automatic compensation of bass tone.
- 5 **N.B. CIRCUIT key**
Press to ON to activate automatic compensation of bass tone.
- 6 **AUTO key**
Press to receive stations in auto tuning mode.
- 7 **VOL/BAL key**
Press to adjust the volume balance between the left and right speakers.

Cassette deck unit



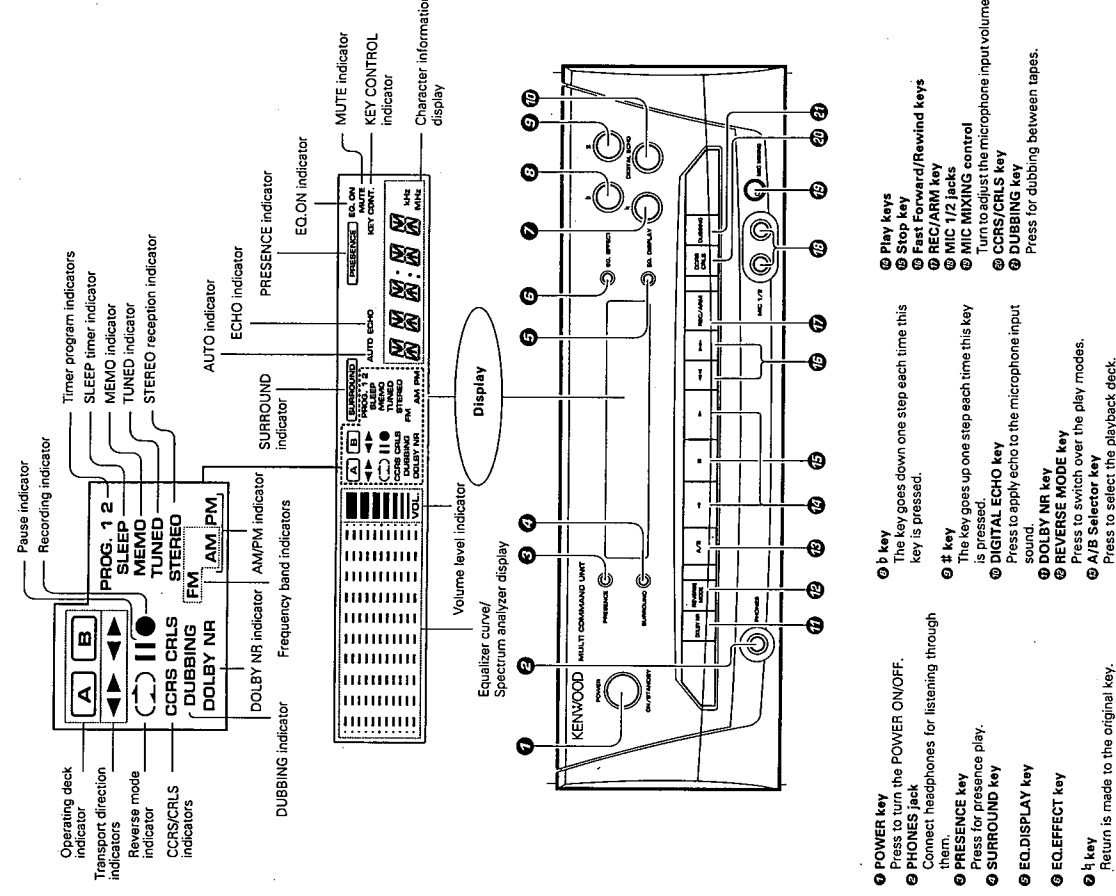
- 1 **Deck A eject key**
- 2 **Deck A cassette holder**
- 3 **Deck B eject key**
- 4 **Deck B cassette holder**

Multi command unit(RX-49)



- 1 **POWER key**
Press to turn the POWER ON/OFF.
- 2 **PHONES jack**
Connect headphones for listening through them.
- 3 **PRESENCE key**
Press for presence play.
- 4 **PEAK HOLD key**
- 5 **EQ.DISPLAY key**
- 6 **EQ.EFFECT key**
- 7 **CENTER MODE key**
Used in adjustment of or playback in the Dolby 3 Stereo or Dolby Pro Logic mode.
- 8 **Play keys**
- 9 **DOLBY PRO LOGIC key**
Used in adjustment of or playback in the Dolby Pro Logic mode.
- 10 **DOLBY 3 STEREO key**
Used in adjustment of or playback in the Dolby 3 Stereo mode.
- 11 **OFF key**
Press to switch the surround and presence modes OFF.
- 12 **DOLBY NR key**
Press to switch over the play modes.
- 13 **A/B Selector key**
Press to select the playback deck.
- 14 **Play keys**
- 15 **STOP key**
- 16 **Fast Forward/Rewind keys**
- 17 **MIC 1/2 jacks**
- 18 **MIC MIXING control**
Turn to adjust the microphone input volume.
- 19 **CCRS/CRLS key**
- 20 **DUBBING key**
Press for dubbing between tapes.
- 21 **Play keys**
- 22 **Stop key**
- 23 **Fast Forward/Rewind keys**
- 24 **MIC 1/2 jacks**
- 25 **MIC MIXING control**
Turn to adjust the microphone input volume.
- 26 **CCRS/CRLS key**
- 27 **DUBBING key**
Press for dubbing between tapes.

Multi command unit(RX-59)



- 1 **POWER key**
Press to turn the POWER ON/OFF.
- 2 **PHONES jack**
Connect headphones for listening through them.
- 3 **PRESENCE key**
Press for presence play.
- 4 **SURROUND key**
- 5 **EQ.DISPLAY key**
- 6 **EQ.EFFECT key**
- 7 **A/B key**
Return is made to the original key.
- 8 **Play keys**
- 9 **Stop key**
- 10 **Fast Forward/Rewind keys**
- 11 **MIC 1/2 jacks**
- 12 **MIC MIXING control**
Turn to adjust the microphone input volume.
- 13 **CCRS/CRLS key**
- 14 **DUBBING key**
Press for dubbing between tapes.
- 15 **Play keys**
- 16 **Stop key**
- 17 **Fast Forward/Rewind keys**
- 18 **MIC 1/2 jacks**
- 19 **MIC MIXING control**
Turn to adjust the microphone input volume.
- 20 **CCRS/CRLS key**
- 21 **DUBBING key**
Press for dubbing between tapes.
- 22 **Play keys**
- 23 **Stop key**
- 24 **Fast Forward/Rewind keys**
- 25 **MIC 1/2 jacks**
- 26 **MIC MIXING control**
Turn to adjust the microphone input volume.
- 27 **CCRS/CRLS key**
- 28 **DUBBING key**
Press for dubbing between tapes.

REMOTE CONTROL OPERATION

<RX-29 / RX-49>

Tuner operation keys
BAND key, P.CALL keys

Cassette deck operation keys
To operate deck A, set the A/B switch to A. (The ● key is invalidated.)
To operate deck B, set the A/B switch to B.

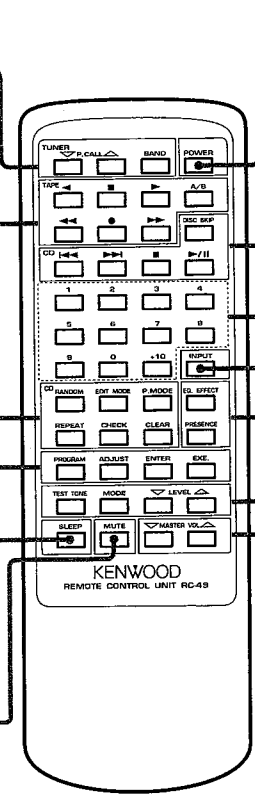
CD player operation keys
*RANDOM key, EDIT MODE key, P.MODE key, REPEAT key, CHECK key, CLEAR key

*The RANDOM key is for use with the M-49M/M-29M system.

Timer operation keys
PROGRAM key, ADJUST key, ENTER key, EXE. key

MUTE key
Press to mute the sound temporarily.

SLEEP key



Model: RC-49 (M-49/M-49M)
: RC-29 (M-29/M-29M)
Infrared ray system

POWER key
CD player basic operation keys
*DISC SKIP key, I◀◀ and ▶▶ keys, ■ key, ▶/II key

*The DISC SKIP key is for use with the M-49M/M-29M system.

Numeric keys
Function as the numeric keys of the CD player when the CD input is selected.
Function as the numeric keys of the tuner when the TUNER input is selected.

Input selector key
INPUT key: Press to select the component to be played.

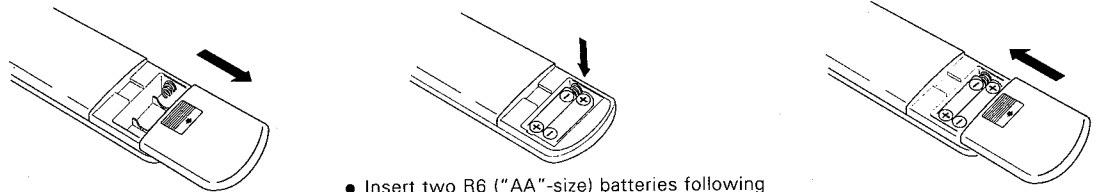
Graphic equalizer operation keys
EQ.EFFECT: Press to select a graphic equalizer effect.
PRESENCE: Press to select a presence effect.

Surround effect keys (M-49/M-49M)
TEST TONE key, MODE key, LEVEL key

VOLUME CONTROL keys
Press to adjust the volume.

Loading batteries

- 1 Remove the cover.
- 2 Insert batteries.
- 3 Close the cover.

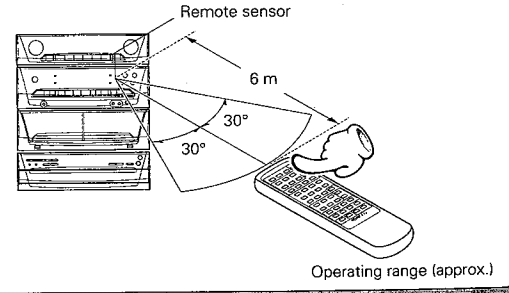


• Insert two R6 ("AA"-size) batteries following the polarity indications.

Operation

After plugging in the power cord, press the **POWER** key of the remote control unit to turn the power of the system ON. When the power is turned ON, press the key of the function to be operated.

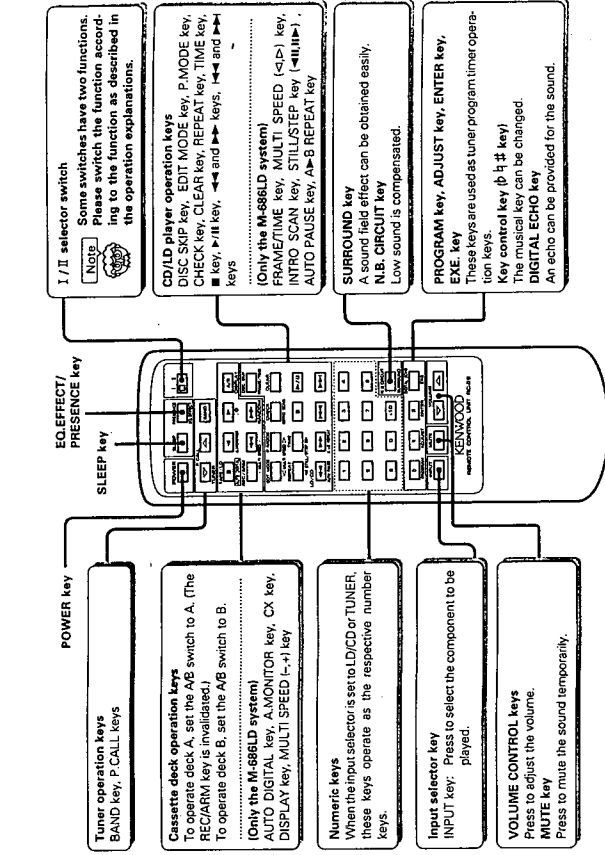
• When pressing more than one remote control key successively, press the keys securely by leaving an interval of 1 second or more between keys.



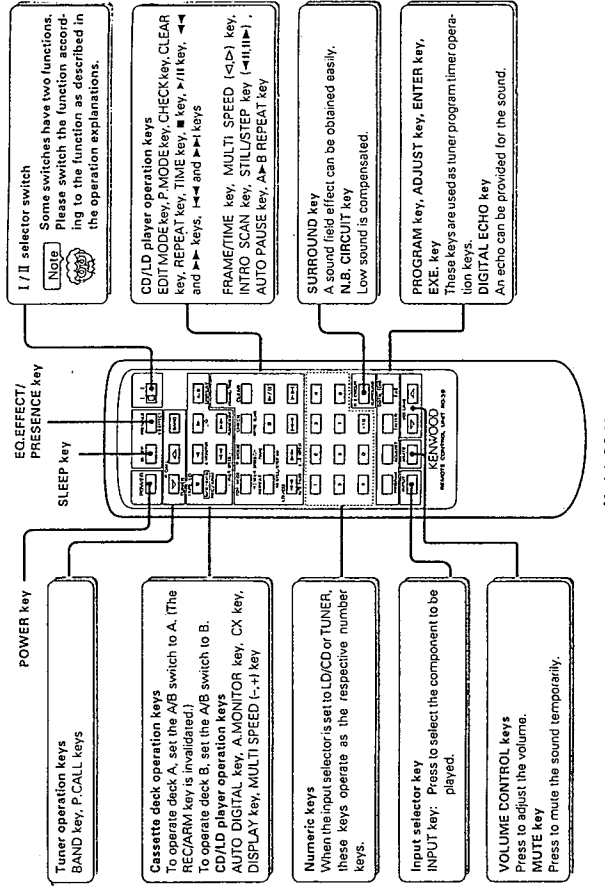
- Notes**
- The provided batteries are intended for use in operation checking, and their service life may be short.
 - When the remote controllable distance becomes short, replace both of the batteries with new ones.
 - If direct sunlight or the light of a high-frequency fluorescent lamp (inverter type, etc.) is incident to the remote sensor, malfunction may occur. In such a case, change the installation position to avoid malfunction.

<RX-59>

REMOTE CONTROL OPERATION



Model: RC-59
Infrared ray system



Model: RC-39
Infrared ray system

Loading batteries

- 1 Remove the cover.
- 2 Insert batteries.
- 3 Close the cover.

• Insert two R6 ("AA"-size) batteries following the polarity indications.

Operation

After plugging in the power cord, press the **POWER** key of the remote control unit to turn the power of the system ON. When the power is turned ON, press the key of the function to be operated.

• When pressing more than one remote control key successively, press the keys securely by leaving an interval of 1 second or more between keys.

Notes

- The provided batteries are intended for use in operation checking, and their service life may be short.
- When the remote controllable distance becomes short, replace both of the batteries with new ones.
- If direct sunlight or the light of a high-frequency fluorescent lamp (inverter type, etc.) is incident to the remote sensor, malfunction may occur. In such a case, change the installation position to avoid malfunction.

Loading batteries

- 1 Remove the cover.
- 2 Insert batteries.
- 3 Close the cover.

• Insert two R6 ("AA"-size) batteries following the polarity indications.

Operation

After plugging in the power cord, press the **POWER** key of the remote control unit to turn the power of the system ON. When the power is turned ON, press the key of the function to be operated.

• When pressing more than one remote control key successively, press the keys securely by leaving an interval of 1 second or more between keys.

Notes

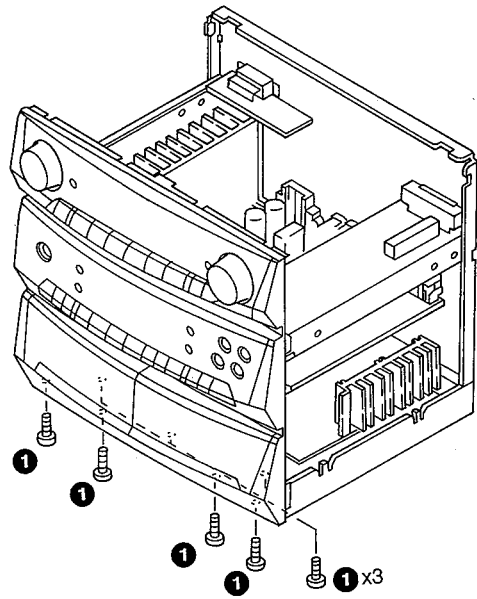
- The provided batteries are intended for use in operation checking, and their service life may be short.
- When the remote controllable distance becomes short, replace both of the batteries with new ones.
- If direct sunlight or the light of a high-frequency fluorescent lamp (inverter type, etc.) is incident to the remote sensor, malfunction may occur. In such a case, change the installation position to avoid malfunction.

<RX-39>

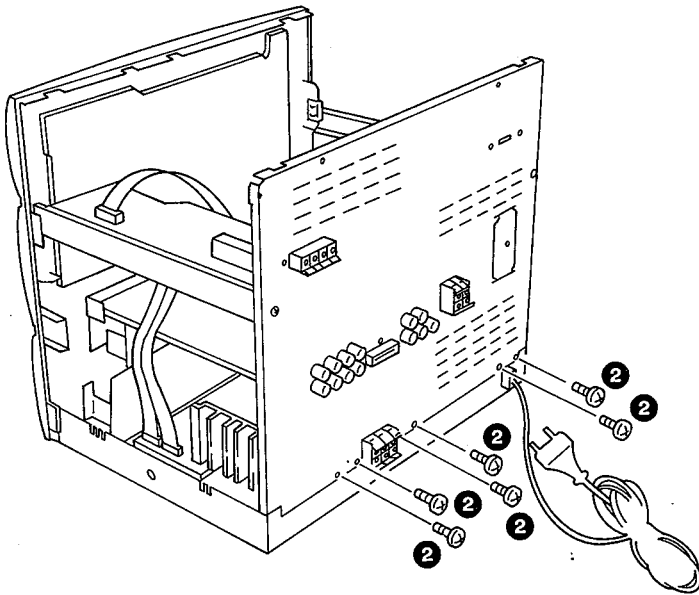
RX-29/39/49/59

DISASSEMBLY FOR REPAIR

1. Remove 7 screws(1), on bottom side.

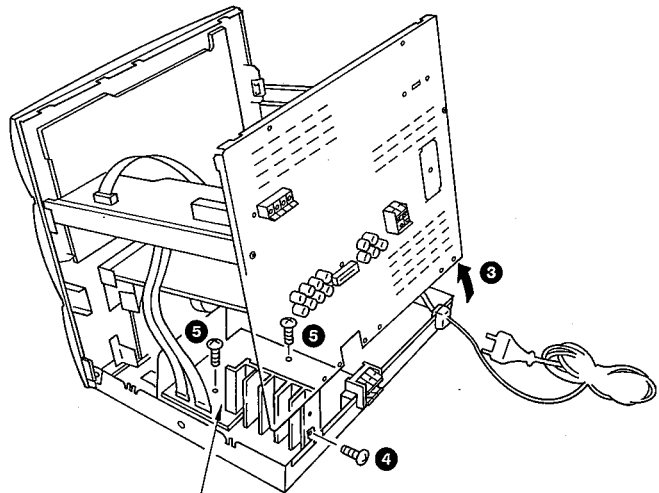


2. Remove 6 screws(2) backwards.



3. Lift up rear panel(3).

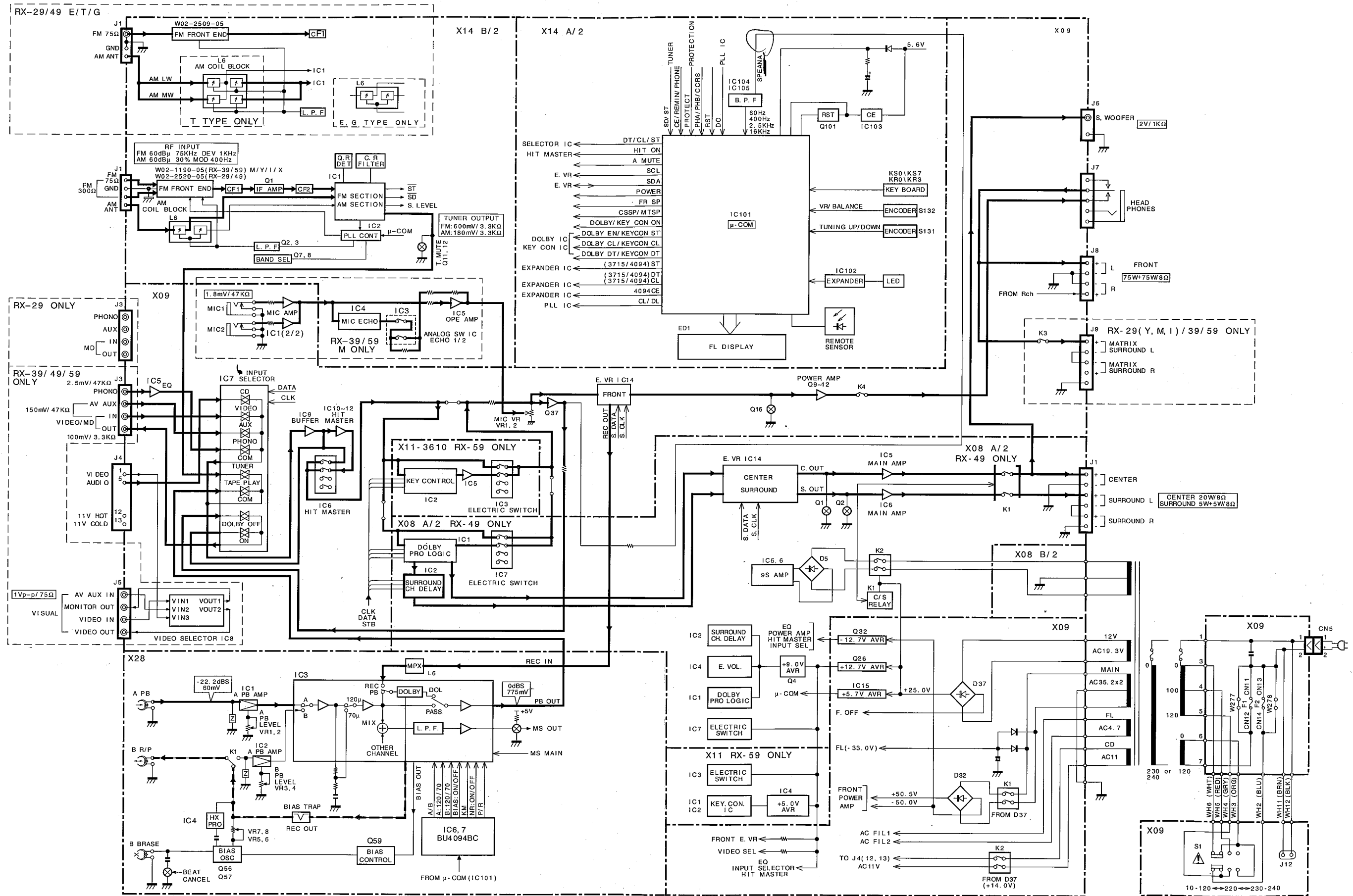
4. Remove screw(4), and 2 screws(5).



CENTER/
SURROUND UNIT
(X08-2692-70)

RX-29/39/49/59 RX-29/39/49/59

BLOCK DIAGRAM

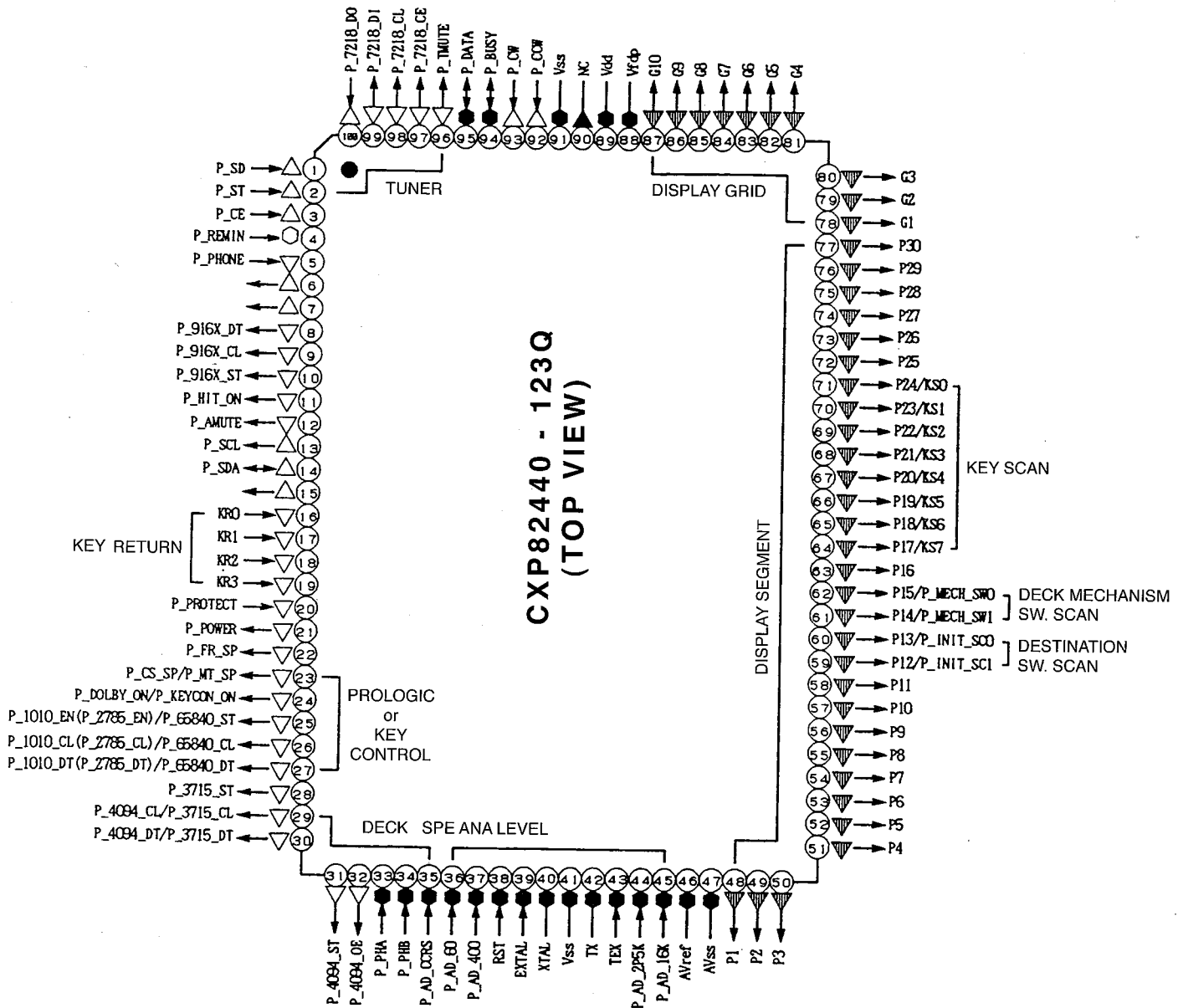
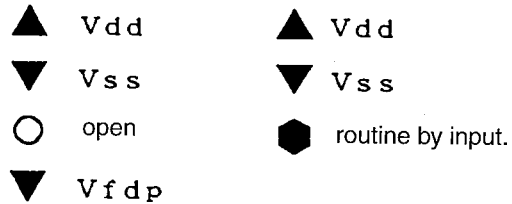


RX-29/39/49/59 BLOCK-DIAGRAM AND LEVEL-DIAGRAM

RX-29/39/49/59

CIRCUIT DESCRIPTION

Microprocessor : CPX82440-123Q(IC 101)



CIRCUIT DESCRIPTION

Pin function

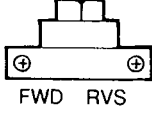
Pin NO.	Pin Name	I/O	Description
1	P_SD	I	Detection port of broadcasting from tuner unit.(H=no station/L=station)
2	P_ST	I	Detection port of stereo broadcasting signal from tuner unit.(H=no stereo/L=stereo broadcasting)
3	P_CE	I	Detection port of power supply voltage.(H=power supplied/L=no power supply)
4	P_REMAIN	I	Input port of remote controller.(H=no remocon signal/L=remocon signal)
5	P_PHONE	I	Detection port of headphone jack.(H=inserted phones/L=no phones)
6,7	NC	O	No use
8	P_916_DT	O	Data port of serial control signal from selector IC TC9164.
9	P_916_CL	O	Clock port of serial control signal from selector IC TC9164.
10	P_916_ST	O	Strobe port of serial control signal from selector IC TC9164.
11	P_HIT_ON	O	Selector port of HIT MASTER on/off. (H=on/L=off)
12	P_AMUTE	O	Control port of analog signal muting(H=off/L=on)
13	P_SCL	O	Clock port of serial control signal from electric volume IC TDA7345/7315.
14	P_SDA	I/O	Data port of serial control signal from electric volume IC TDA7345/7315.
15	NC	O	No use.
16 ~ 19	KR0 ~ 3	I	Input port of key return signal.
20	P_PROTECT	I	Detection port of speaker protection.(H=protection/L=no protection)
21	P_POWER	O	Control port of power relay by detecting AC power supply.
22	P_FR_SP	O	Control port of front speaker's relay.(H=relay on/L=relay off)
23	P_CS_SP/P_MT_SP	O	Control port of surround speaker's relay.(H=relay on/L=relay off)
24	P_DOLBY_ON/P_KEYCON_ON	O	Selector port of DOLBY SURROUND or key control>(H=Dolby or key on/L=Dolby or key off)
25	P_1010_EN(P_2785_EN)/P_6584_ST	O	Enable port of serial control signal from Dolby IC LV1010 or LA2785./Strobe port of serial control signal from key control IC M65840.
26	P_1010_EN(P_2785_EN)/P_6584_ST	O	Clock port of serial control signal from Dolby IC LV1010 and LA2785.
27	P_1010_EN(P_2785_EN)/P_6584_ST	O	Data port of serial control signal from Dolby IC LV1010 and LA2785.
28	P_3715_ST	O	Strobe port of serial control signal from expand port driver IC NJU3715.
29	P_3715_DT/P_4094_DT	O	Data port of serial control signal from expand port driver IC NJU3715 or BU4094B.
30	P_3715_CL/P_4094_CL	O	Clock port of serial control signal from expand port driver IC NJU3715 or BU4094B.
31	P_4094_ST	O	Strobe port of serial control signal from expand port driver IC BU4094B.
32	P_4094_OE	O	Output port of output control from expand port driver IC BU4094B.
33	P_PHA	I	Input port of turning photosensor in A-cassette deck.
34	P_PHB	I	Input port of turning photosensor in B -cassette deck.
35	P_AD_CCRS	I	Detection port of CCRS and DPSS level.
36	P_AD_60	I	Control port of 60Hz band spectrum analyzer.
37	P_AD_400	I	Control port of 400Hz band spectrum analyzer.
38	RST I	I	Reset port for devices.
39,40	E/XTAL	I	Input/output port of main clock (8.0MHz).
41	Vss	I	GND

CIRCUIT DESCRIPTION

Pin NO.	Pin Name	I/O	Description
42,43	TX/TEX	I	Input/output port of sub-clock (32kHz) for clocker.
44	P_AD_2P5K	I	Control port of 2.5kHz band spectrum analyzer.
45	P_AD_16K	I	Control port of 16kHz band spectrum analyzer.
46	AVref	I	Input port of reference voltage for A/D converter.
47	AVss	I	GND port of A/D converter.
48 ~ 58	P1 ~ 11	O	Output port of segments signal for display.
59,60	P12,13/P_INIT_SC1 ~ 0	O	Output port of segments signal for display and reading port of destination switches.
61,62	P14, 15/P_MECHA_SW1,2	O	Output port of segments signal for display and reading port of mechanism switches.
63	P16	O	Output port of segments signal for display .
65 ~ 71	P18 ~ 24	O	Output port of segments signal for display and key scan.
72 ~ 77	P25 ~ 30	O	Output port of segments signal for display.
78 ~ 87	G1 ~ 10	O	Output port of timing signal for display.
88	Vfdp	I	Power supply port for segments timing in display.
89	Vdd	I	Port of power supply for devices.
90	NC	-	No use.
91	Vss	I	GND
92	P_CCW	I	Input port of counterclockwise signal on rotary encoder.
93	P_CW	I	Input port of clockwise signal on rotary encoder.
94	P_BUSY	I/O	Input/output port of busy signal on serial interface.
95	P_DATA	I/O	Input/output port of data signal on serial interface.
96	P_TMUTE	O	Mute port of tuner. (H=on/L=off)
97	P_7218_CE	O	Chip enable port of PLL IC LC7218.
98	P_7218_CL	O	Clock port of PLL IC LC7218.
99	P_7218_DI	O	Data output port of PLL IC LC7218.
100	P_7218_DO	I	Data input port of PLL IC LC7218.

ADJUSTMENT

CASSETTE section

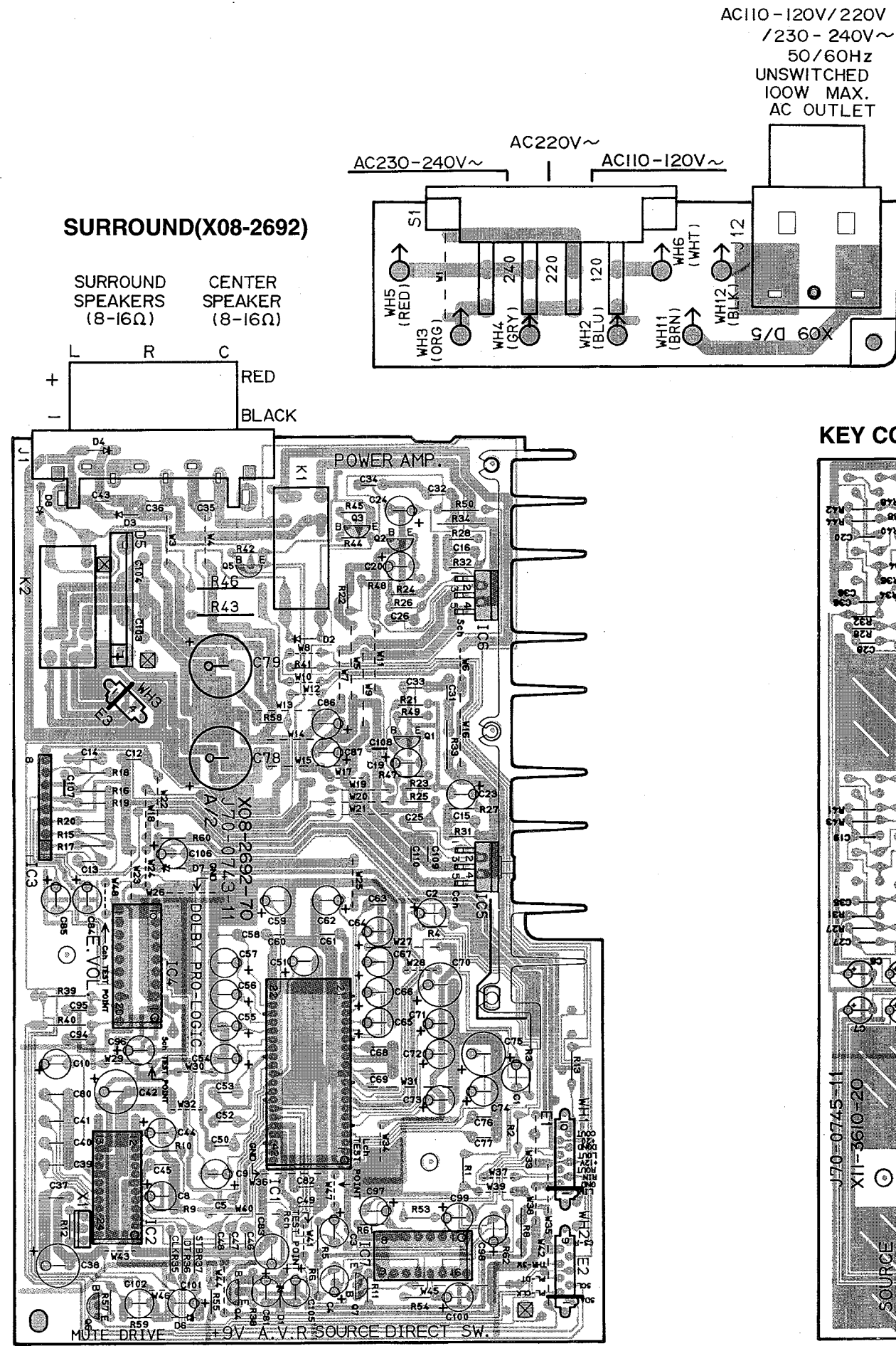
Order	Item	Input setting	Output setting	Deck settin	Adjustment points	Adjustment method	Fig.
Unless otherwise specified, set the respective switches as follows: TAPE: NORMAL DOLBY: OFF INPUT: R/P BCB (W18,W19) OUTPUT: CN5. (Lch : #1,Rch : #4)							
I. Cassette mechanism section (Recording/play head adjustment)							
<1>	Demagnetization and cleaning	—	—	Power:OFF Demagnetization, cleaning, PLAY	Recording head, erase head, capstan, pinch roller	Demagnetize the REC/PLAY head with the head eraser. Clean the REC/PLAY head, erase head, capstan and pinch roller using a cotton swab slightly damped with alcohol.	
<2>	Azimuth of the REC/PLAY head	SCC-1727 TCC-153 MTT-114 10kHz, -10dB	—	PLAY		Adjust the output to maximum and adjust the azimuth adjustment screw for the Lissajous waveform pattern of the oscilloscope to become close to a 45° straight line.	
II. Printed circuit board adjustment							
(1)	Tape speed (normal)	SCC1727 TCC-110 MTT-111 3 kHz	Connect oscilloscope and AC voltmeter to output (CN5).	PLAY	A DECK: VR 52 B DECK: VR 52	Adjust so that the frequency is 3 kHz at the tape center.	
(2)	Playback level	MTT-150 400 Hz	Connect oscilloscope and AC voltmeter to output (CN5).	PLAY	A DECK: VR1 (L) VR2 (R) B DECK: VR3 (L) VR4 (R)	Output level : 0dBs	
		MTT-256, SCC1727 315 Hz (160 mWb/m)				Output level : -3dBs	
		MTT-256U, TCC-160 315 Hz (250 mWb/m)				Output level : 1dBs	
(3)	Bias current	1 kHz, -24 dBs 10kHz, -24dBs	Connect oscilloscope and AC voltmeter to output (CN5).	REC PAUSE	B DECK: (L) VR 5 (R) VR 6	Record 1kHz and 10kHz in alternation and adjust the variable resistors which control the bias current so that the same playback level is obtained.	

TUNER section

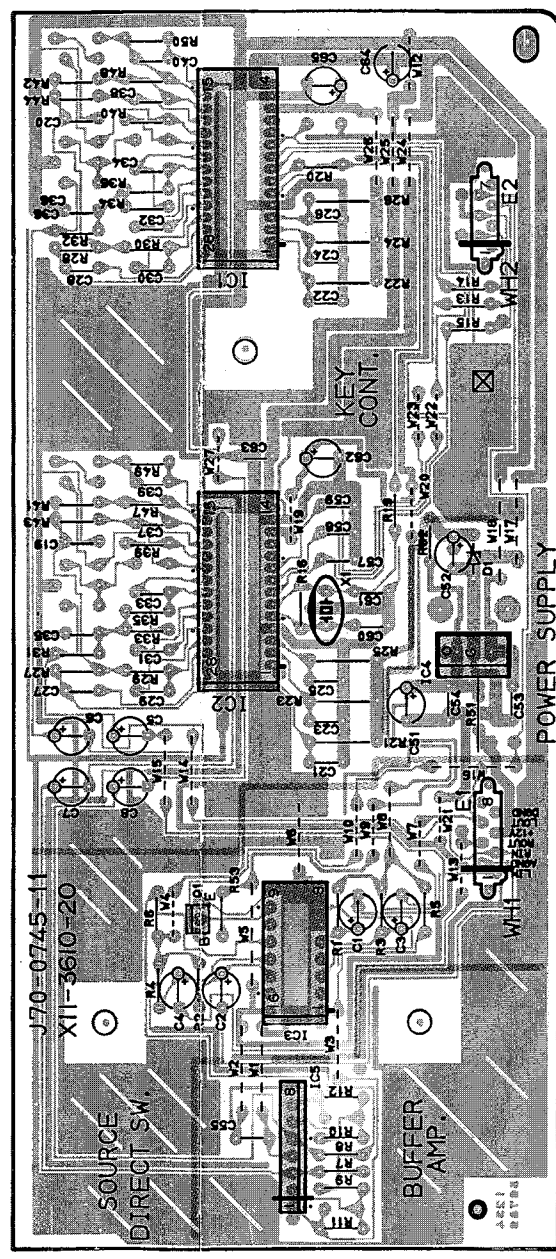
No.	ITEM	INPUT SETTING	OUTPUT SETTING	TUNER SETTING	ALIGNMENT POINTS	ALIGN FOR	FIG.
FM SECTION BAND : FM							
1	DISCRIMINATOR	(A) 98.0MHz 1kHz, ±75 kHz dev 60 dBμ(Ant input)	Connect a DC voltmeter between TP2 and TP3. (X14-)	AUTO or MONO 98.0MHz	L3 (X14-)	0V	(c)

PC BOARD (COMPONENT SIDE VIEW)

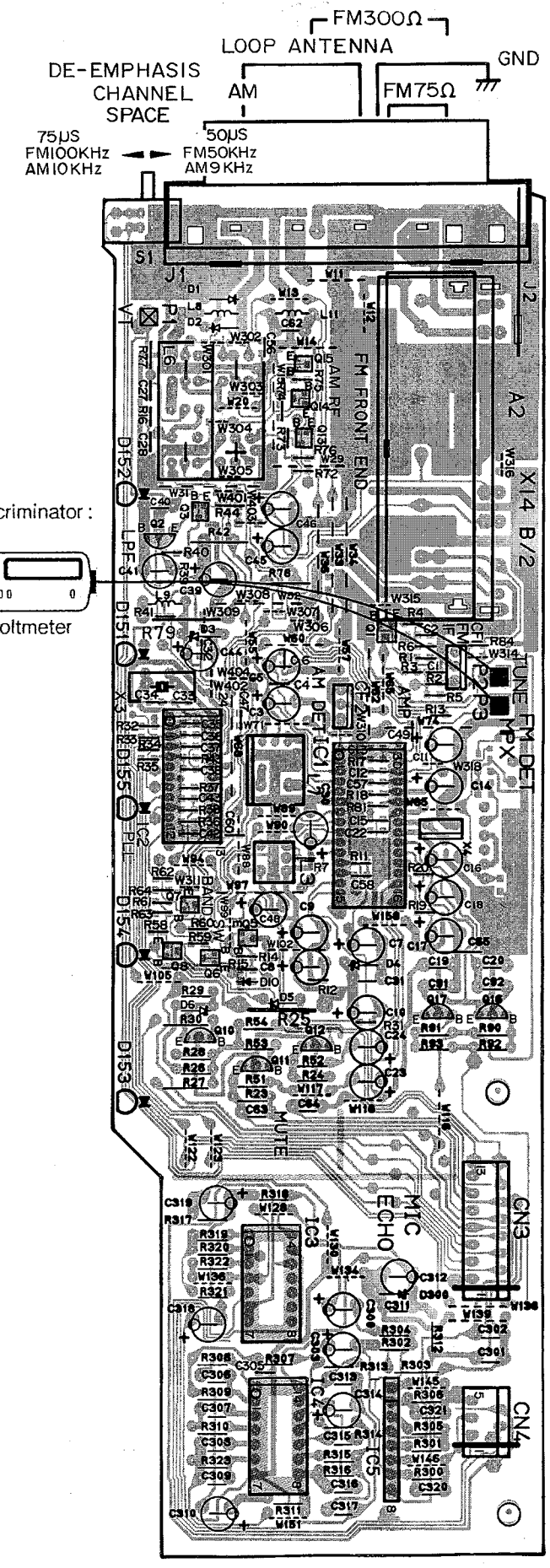
1
2
3
4
5
6
7



KEY CON.(X11-3610)

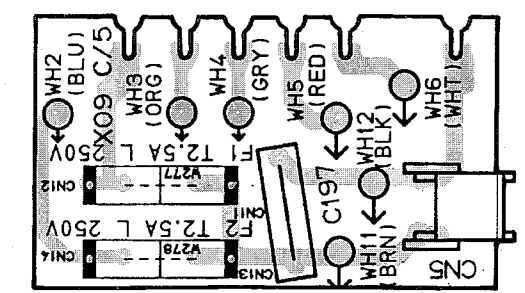
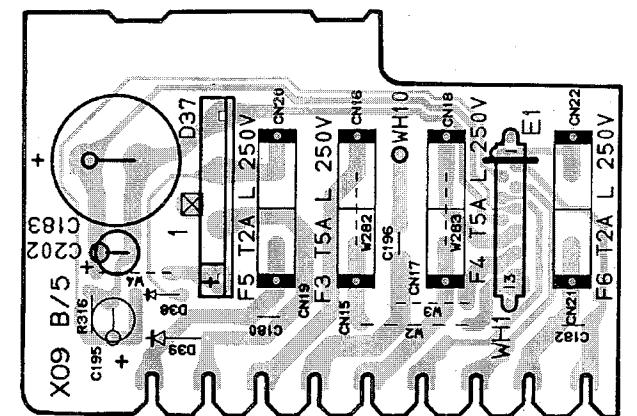
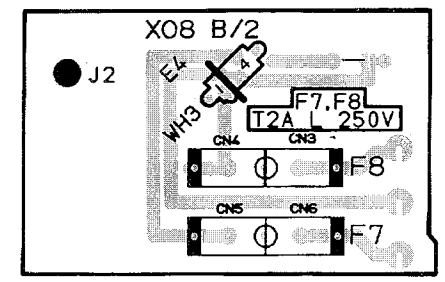
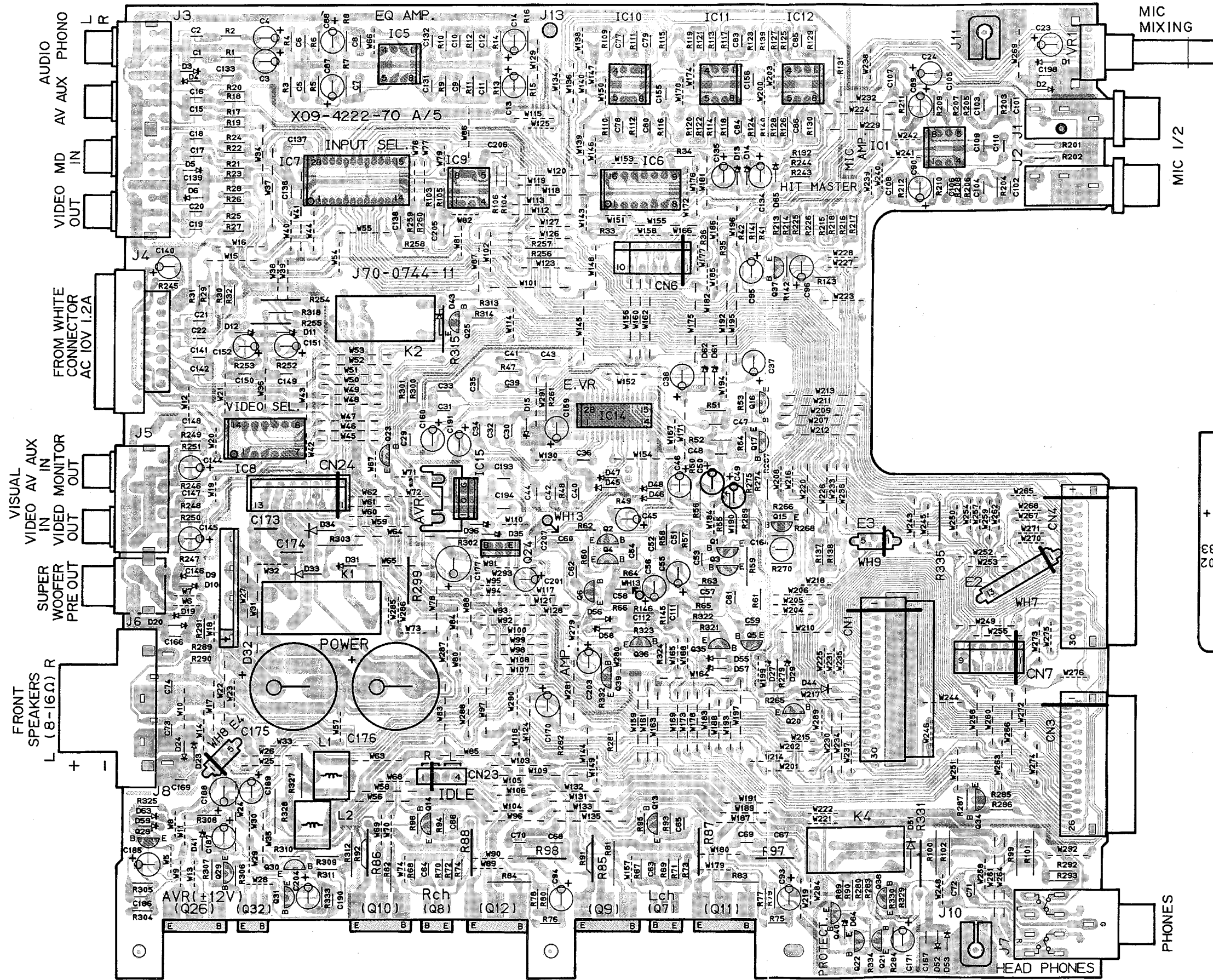


TUNER(X14-4062)



Refer to the schematic diagram for the value of resistors and capacitors.

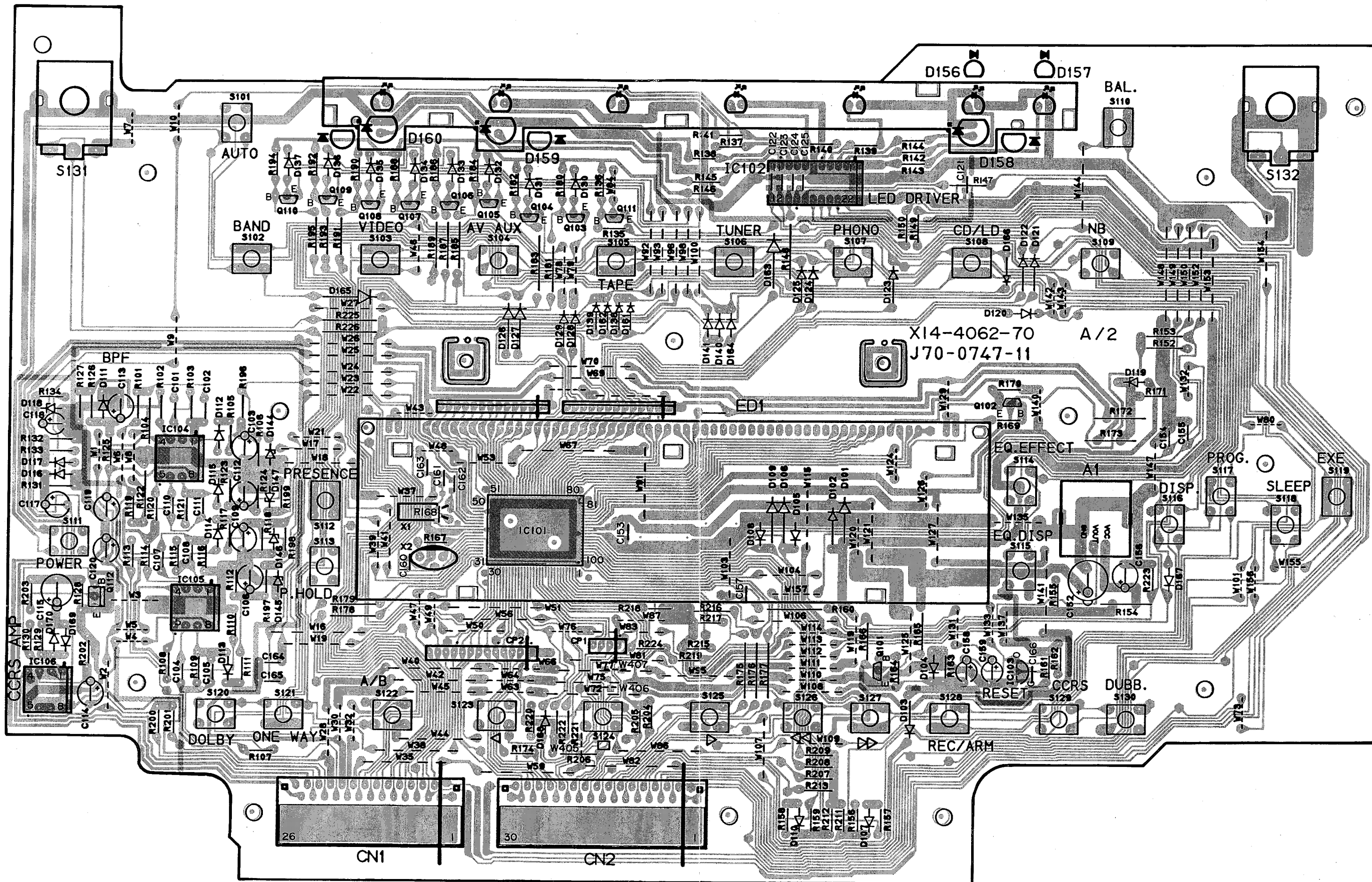
PC BOARD(COMPONENT SIDE VIEW) AUDIO(X09-4222)



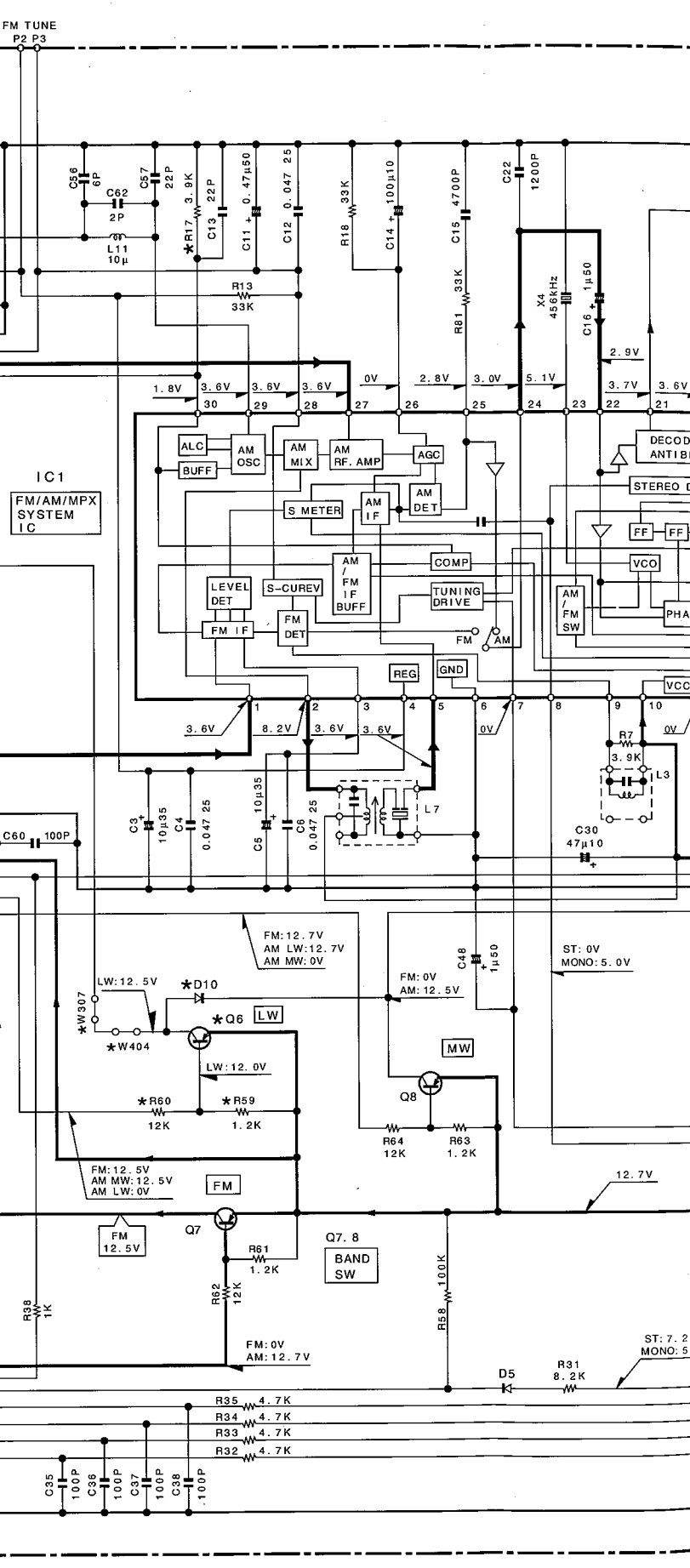
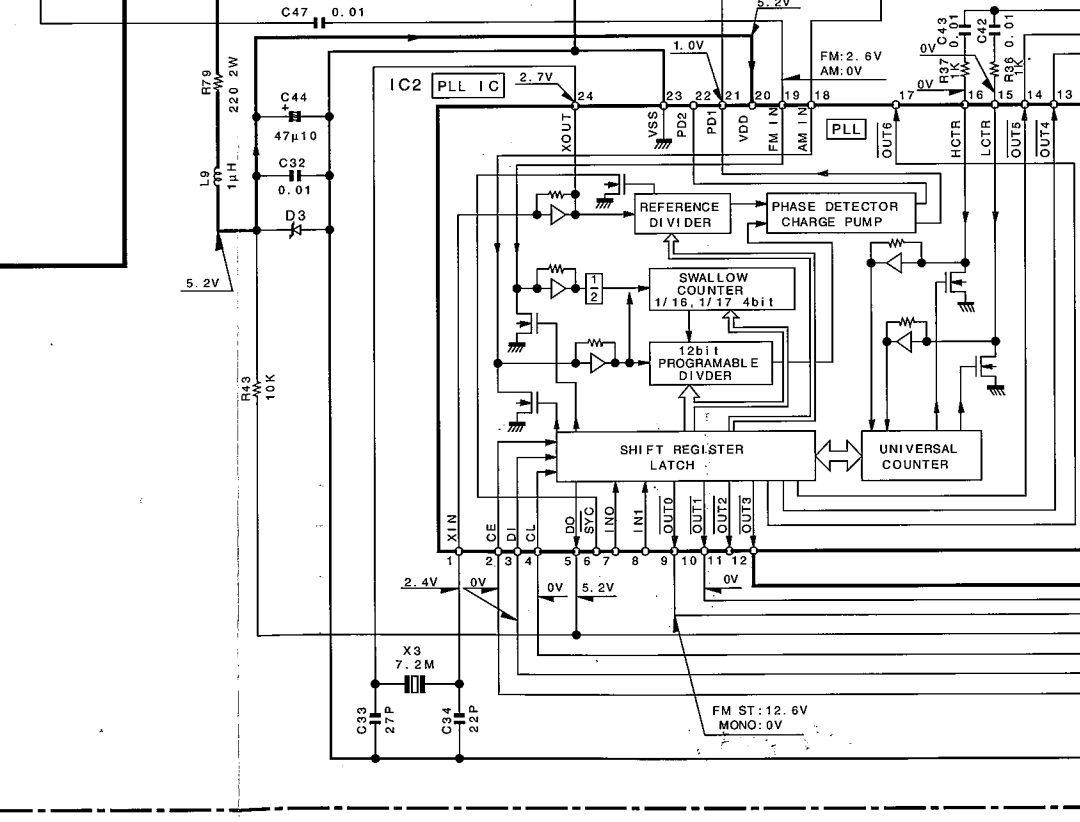
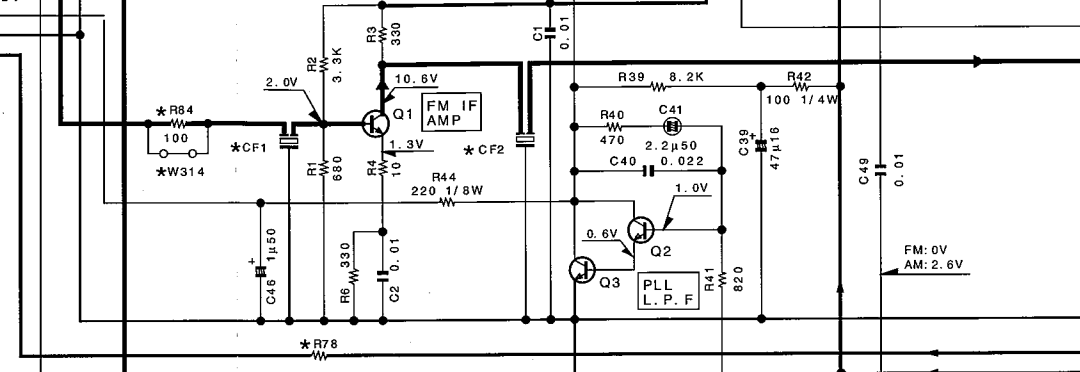
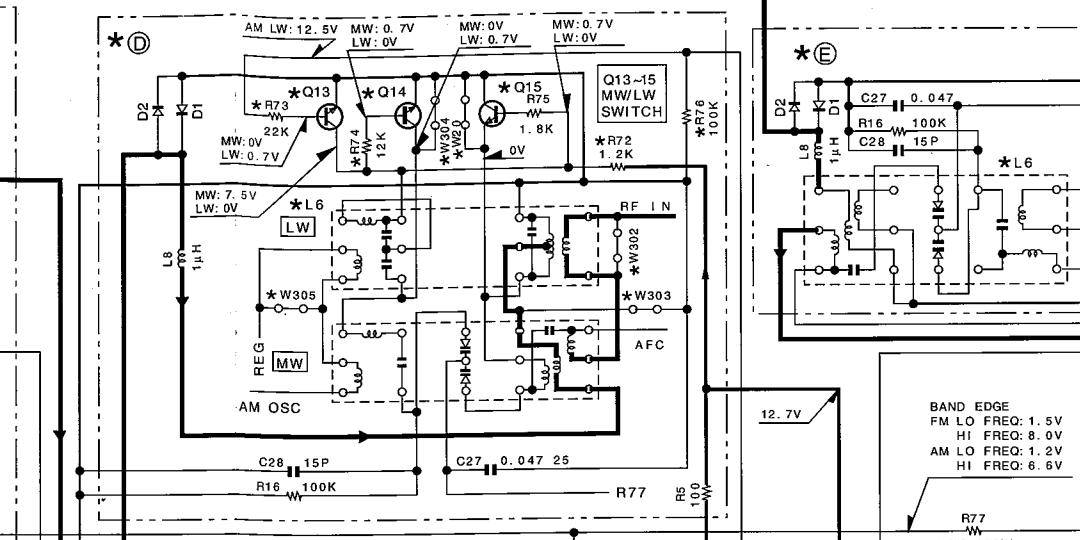
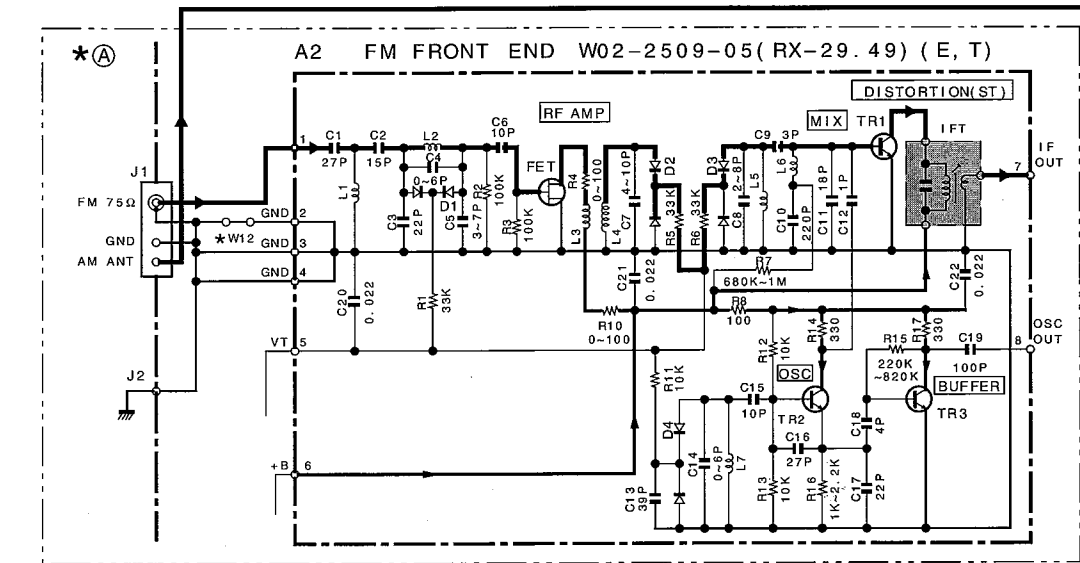
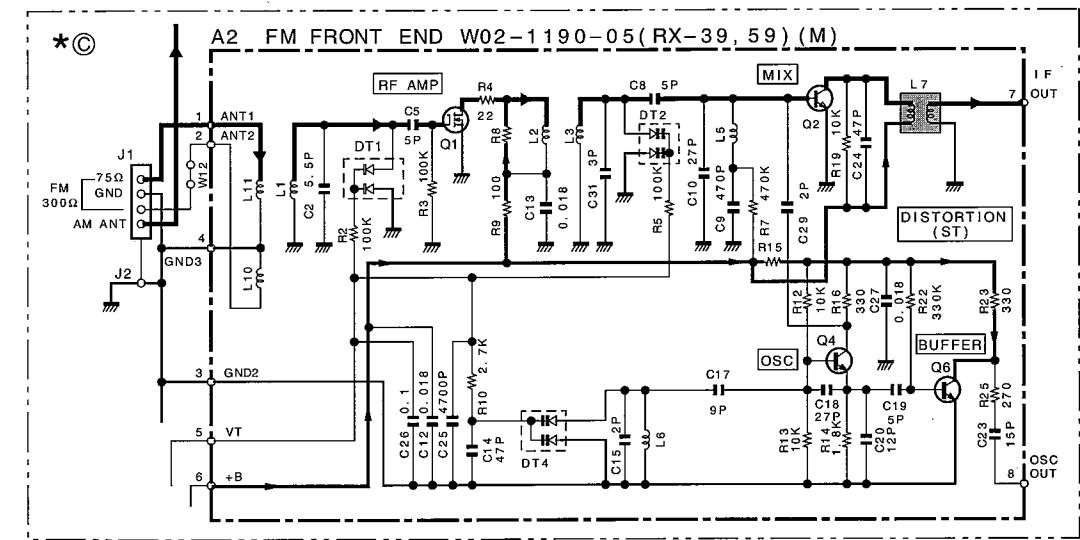
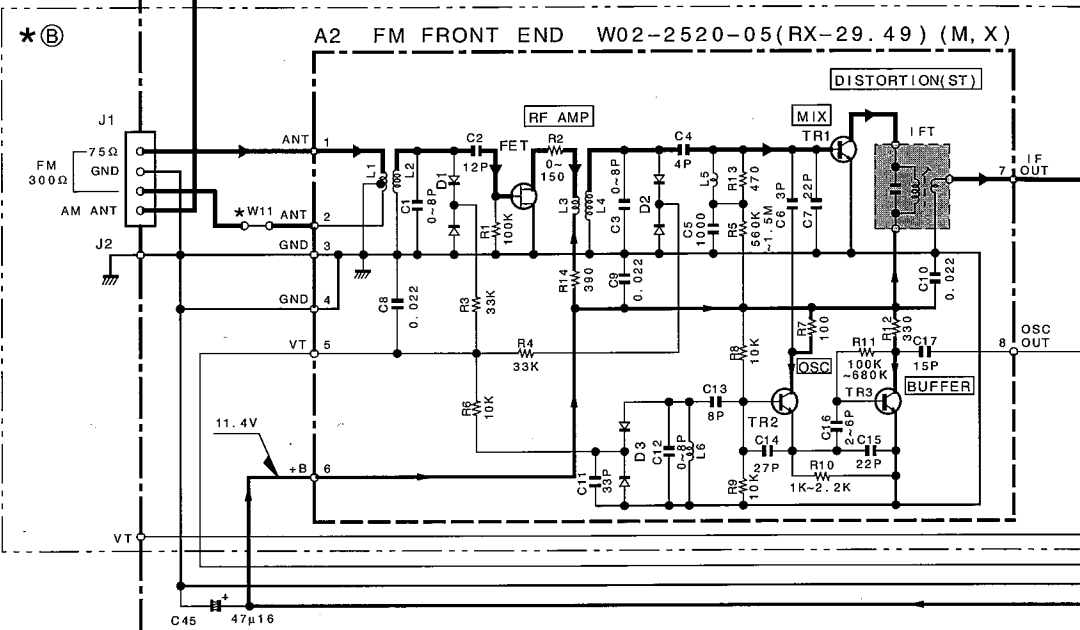
FRONT
↑

Refer to the schematic diagram for the value of resistors and capacitors.

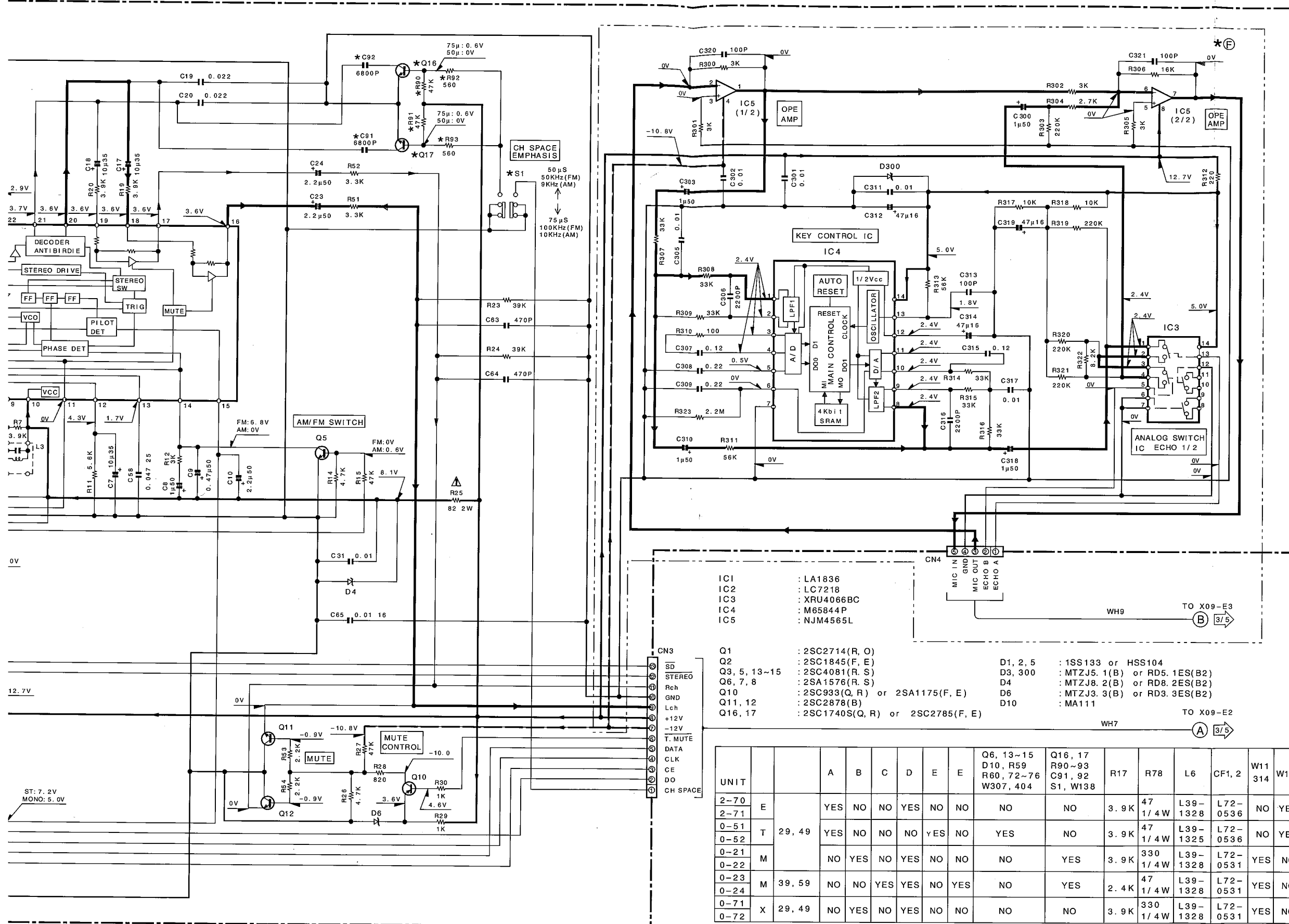
PC BOARD(COMPONENT SIDE VIEW) DISPLAY(X14-4062)



X14-406X-XX (B/2)



1
2
3
4
5
6
7



- IC1 : LA1836
- IC2 : LC7218
- IC3 : XRU4066BC
- IC4 : M65844P
- IC5 : NJM4565L

- Q1 : 2SC2714 (R, O)
- Q2 : 2SC1845 (F, E)
- Q3, 5, 13~15 : 2SC4081 (R, S)
- Q6, 7, 8 : 2SA1576 (R, S)
- Q10 : 2SC933 (Q, R) or 2SA1175 (F, E)
- Q11, 12 : 2SC2878 (B)
- Q16, 17 : 2SC1740S (Q, R) or 2SC2785 (F, E)

- D1, 2, 5 : 1SS133 or HSS104
- D3, 300 : MTZJ5. 1(B) or RD5. 1ES(B2)
- D4 : MTZJ8. 2(B) or RD8. 2ES(B2)
- D6 : MTZJ3. 3(B) or RD3. 3ES(B2)
- D10 : MA111

UNIT		A	B	C	D	E	E	Q6, 13~15 D10, R59 R60, 72~76 W307, 404	Q16, 17 R90~93 C91, 92 S1, W138	R17	R78	L6	CF1, 2	W11 314	W12	W20 302~ 305
2-70	E	YES	NO	NO	YES	NO	NO	NO	NO	3.9K	47 1/4W	L39- 1328	L72- 0536	NO	YES	YES
2-71	T	YES	NO	NO	NO	YES	NO	YES	NO	3.9K	47 1/4W	L39- 1325	L72- 0536	NO	YES	NO
0-51		YES	NO	NO	NO	YES	NO	YES	NO	3.9K	47 1/4W	L39- 1328	L72- 0536	NO	YES	NO
0-52	T	YES	NO	NO	NO	YES	NO	YES	NO	3.9K	47 1/4W	L39- 1325	L72- 0536	NO	YES	NO
0-21	M	NO	YES	NO	YES	NO	NO	NO	YES	3.9K	330 1/4W	L39- 1328	L72- 0531	YES	NO	YES
0-22		NO	YES	NO	YES	NO	NO	NO	YES	3.9K	330 1/4W	L39- 1328	L72- 0531	YES	NO	YES
0-23	M	NO	NO	YES	YES	NO	YES	NO	YES	2.4K	47 1/4W	L39- 1328	L72- 0531	YES	NO	YES
0-24		NO	NO	YES	YES	NO	YES	NO	YES	2.4K	47 1/4W	L39- 1328	L72- 0531	YES	NO	YES
0-71	X	NO	YES	NO	YES	NO	NO	NO	NO	3.9K	330 1/4W	L39- 1328	L72- 0531	YES	NO	YES
0-72	X	NO	YES	NO	YES	NO	NO	NO	NO	3.9K	330 1/4W	L39- 1328	L72- 0531	YES	NO	YES

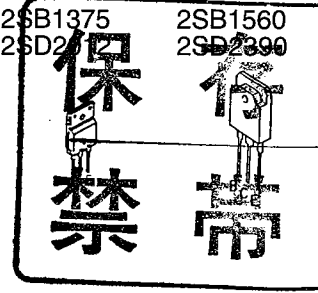
CAUTION: For continued safety, replace safety critical components only with manufacturer's recommended parts (ref to parts list). Δ indicates safety critical components. To reduce the risk of electric shock, leakage-current or resistance measurements shall be carried out (exposed parts acceptably insulated from the supply circuit) before the appliance is returned to the customer.

- 2SA992
- 2SC1845
- 2SC2003
- 2SC2878
- 2SC3246
- 2SC3940A
- 2SD1302
- 2SD863

- DTA124ES
- DTC124ES
- UN4112
- 2SA933S
- 2SC1740S

- 2SB1370
- 2SD2061
- 2SA1576
- 2SC2714
- 2SC4081
- 2SC4137

- UN4212
- 2SB1375
- 2SD2390
- 2SB1560
- 2SD2390



95.10.13

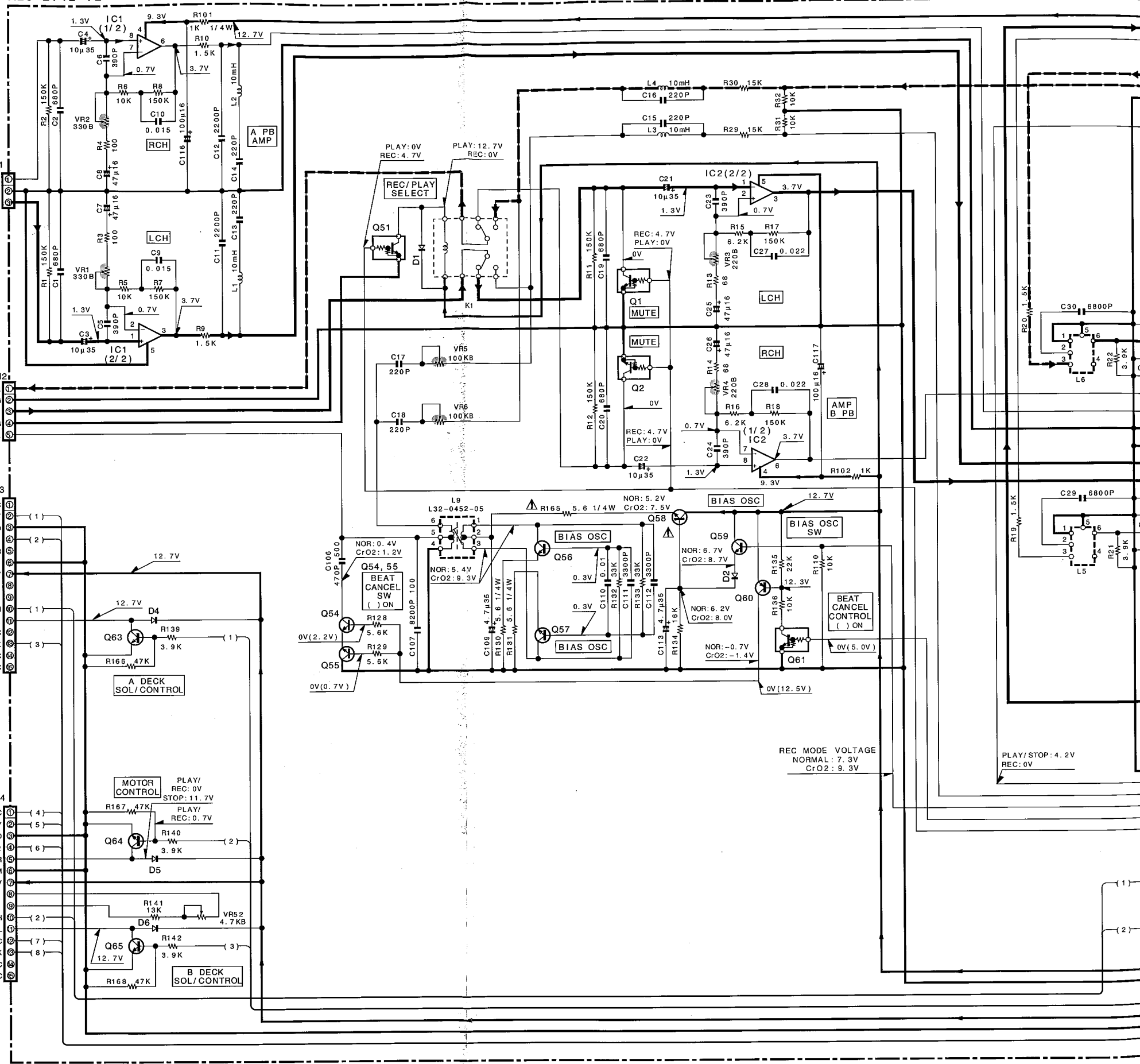
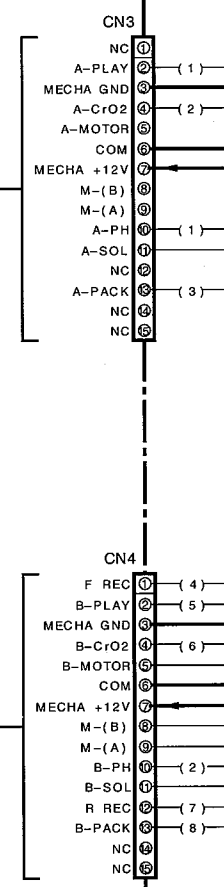
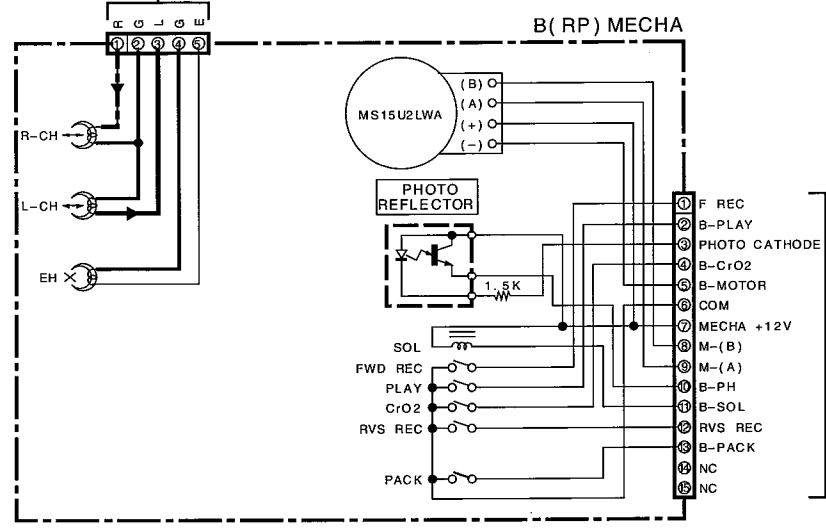
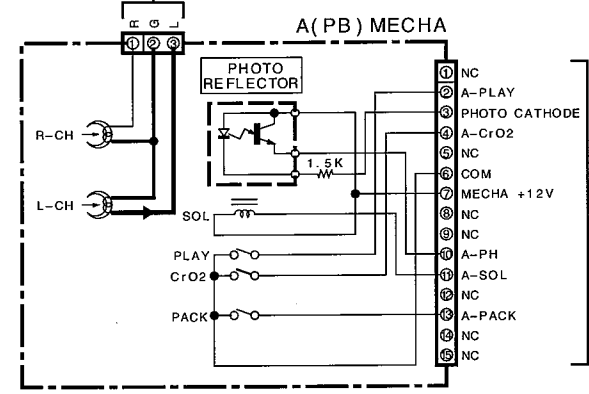
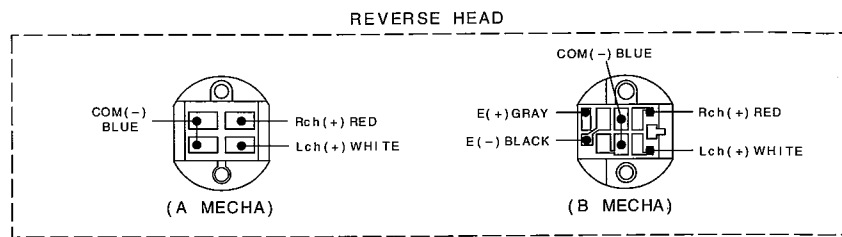
RX-29/39/49/59 (1/5)

Y09-4452-90

RX-29/39/49
KENWOOD

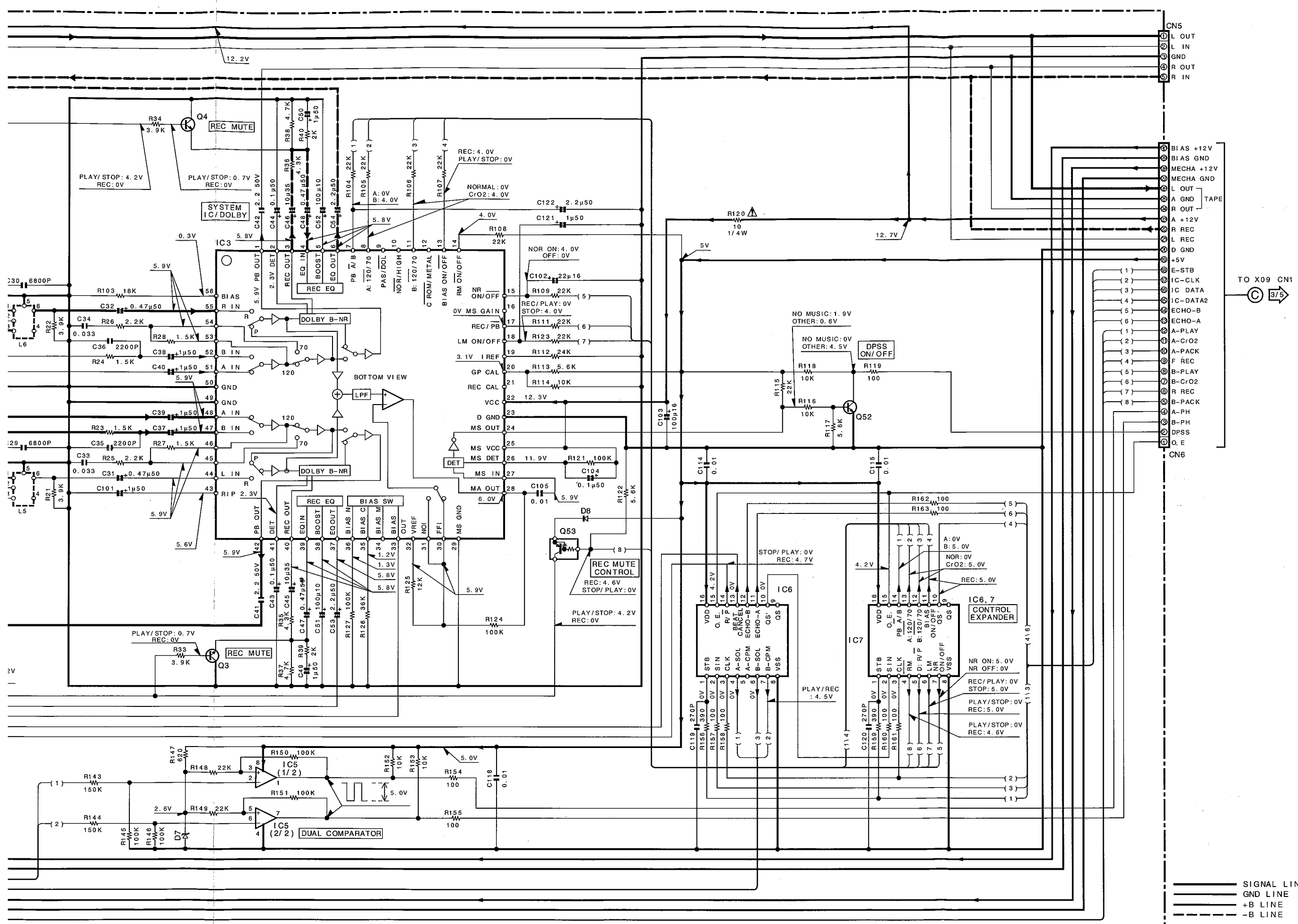
IC1, 2 : TA8125S
 IC3 : HA12182F
 IC5 : BA10393
 IC6, 7 : BU4094BC
 D1, 2, 4, 5, 6, 8 : 1SS133 or HSS104
 D7 : RD2.7ES(B2) or HZS2.7N(B)

Q1, 2, 51, 61 : UN4212 or DTC124ES
 Q3, 4 : 2SD1302(S, T) or 2SD1450(S, T)
 Q52, 56, 57, 59 : 2SC2785(F, E) or 2SC1740S(Q, R)
 Q53 : UN4112 or DTA124ES
 Q54, 55 : 2SC1845(F, E)
 Q58 : 2SC3940A(R, S)
 Q60 : 2SA992(F, E)
 Q63~65 : 2SC3246



REC MODE VOLTAGE
 NORMAL : 7.3V
 CrO2 : 9.3V

PLAY/STOP : 4.2V
 REC : 0V



CAUTION: For continued safety, replace safety components only with manufacturer's recommended parts list. Δ indicates safety critical components risk of electric shock, leakage-current or resistments shall be carried out (exposed parts are lated from the supply circuit) before the appliar the customer.

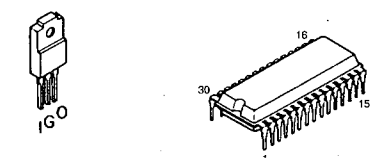
DOLBY and the double-D symbol are trademarks of Dolby Laboratories Licensing Corporation. Noise reduction under license from Dolby Laboratories Licensing Corporation.

DC voltages are as measured with a high impedance multimeter. Values may vary slightly due to variations in component tolerances or/and units.

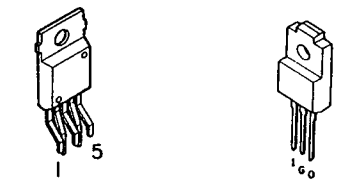
Les tensions c.c doivent être mesurées avec un multimètre à haute impédance. Les valeurs peuvent différer à cause des variations inhérentes aux appareils et aux composants de mesure individuels.

Die angegebenen Gleichspannungswerte wurden mit einem hochohmigen Spannungsmesser gemessen. Die Meßwerte aufgrund von Unterschieden zwischen Instrumenten oder Geräten u. U geringfügig.

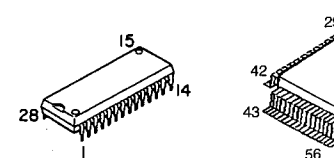
UPC7805AHF LA1836 M62



TDA2050V TA7805S NJ NJ



NJU7313AL HA1218Z



— SIGNAL LINE
 - - - GND LINE
 ——— +B LINE
 ——— -B LINE

RX-29/39/49/59(2/5)
 Y09-4452-90

RX-29/39/49
KENWOOD

2

3

4

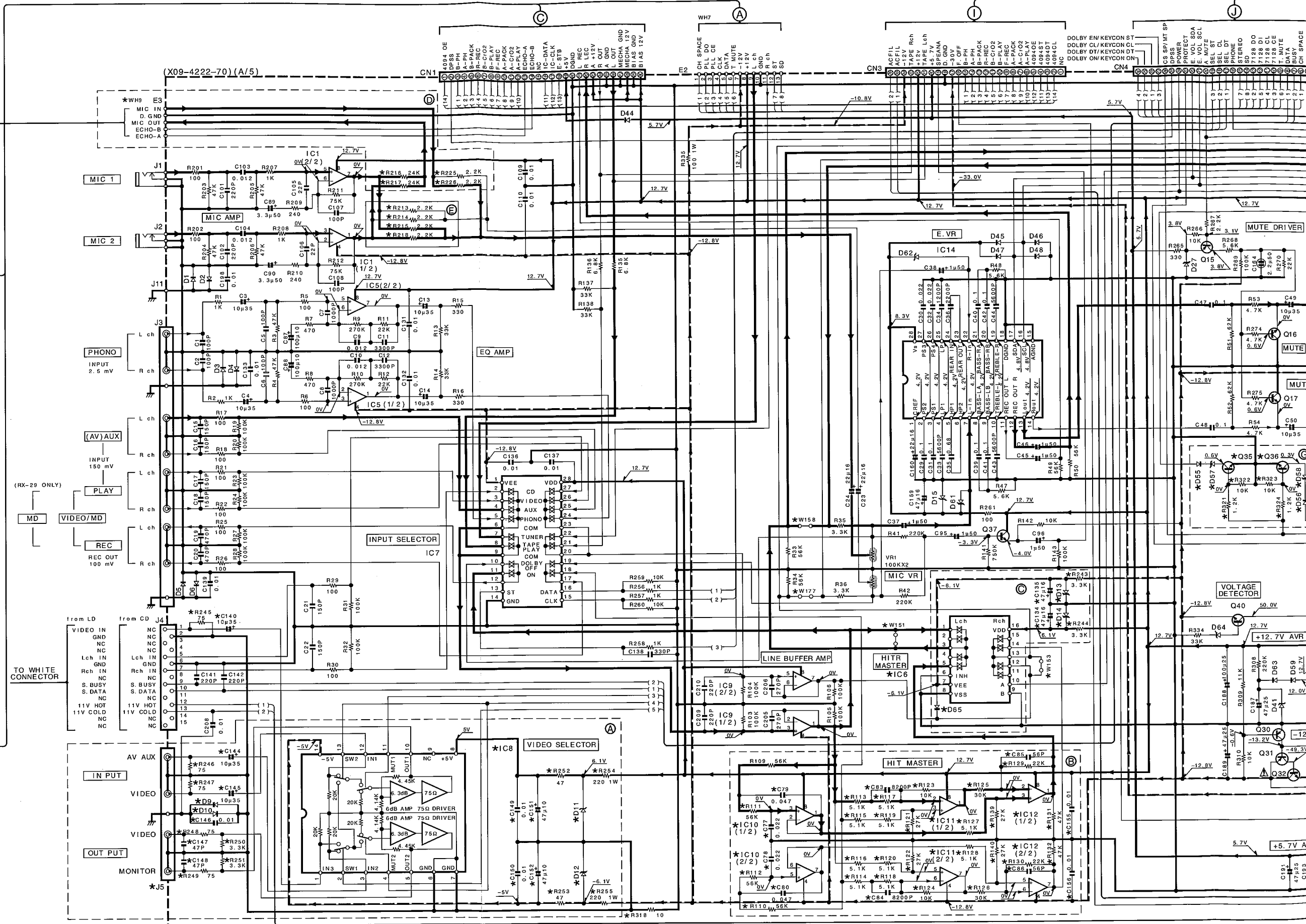
5

6

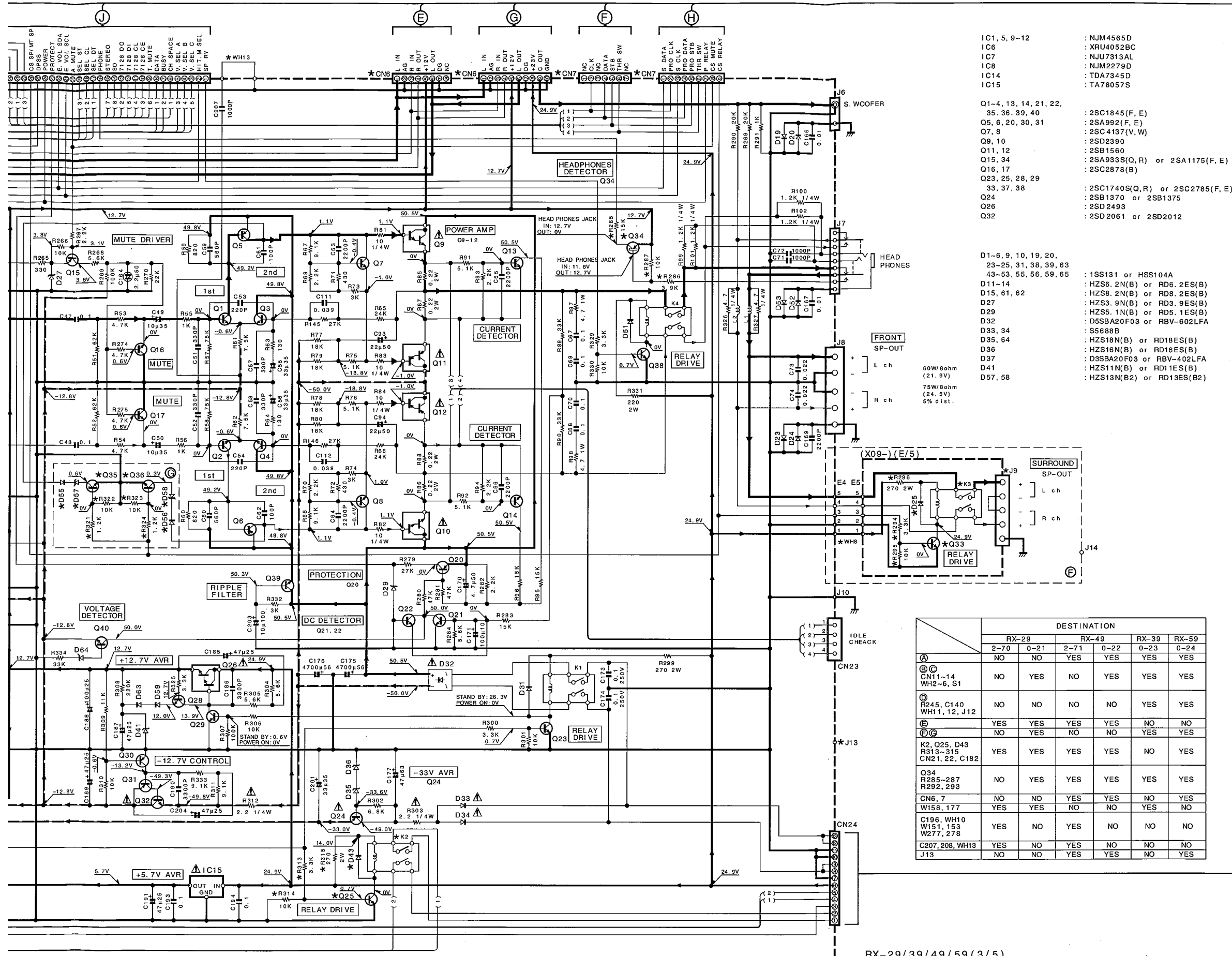
TO (X28-) CN6

TO (X14-) (B/2) CN4

TO (X14-) (B/2) CN3



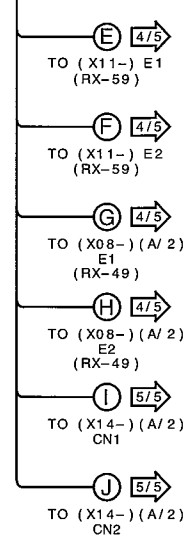
7



- IC1, 5, 9-12 : NJM4565D
 IC6 : XRU4052BC
 IC7 : NUJ7313AL
 IC8 : NJM2279D
 IC14 : TDA7345D
 IC15 : TA78057S
- Q1-4, 13, 14, 21, 22, 35, 36, 39, 40 : 2SC1845(F, E)
 Q5, 6, 20, 30, 31 : 2SA992(F, E)
 Q7, 8 : 2SC4137(V, W)
 Q9, 10 : 2SD2390
 Q11, 12 : 2SB1560
 Q15, 34 : 2SA933S(Q, R) or 2SA1175(F, E)
 Q16, 17 : 2SC2878(B)
 Q23, 25, 28, 29, 33, 37, 38 : 2SC1740S(Q, R) or 2SC2785(F, E)
 Q24 : 2SB1370 or 2SB1375
 Q26 : 2SD2493
 Q32 : 2SD2061 or 2SD2012

- D1-6, 9, 10, 19, 20, 23-25, 31, 38, 39, 63, 43-53, 55, 58, 59, 65 : 1SS131 or HSS104A
 D11-14 : HZS6.2N(B) or RD6.2ES(B)
 D15, 61, 62 : HZS8.2N(B) or RD8.2ES(B)
 D27 : HZS3.9N(B) or RD3.9ES(B)
 D29 : HZS5.1N(B) or RD5.1ES(B)
 D32 : D5SBA20F03 or RBV-602LFA
 D33, 34 : S5688B
 D35, 64 : HZS18N(B) or RD18ES(B)
 D36 : HZS16N(B) or RD16ES(B)
 D37 : D3SBA20F03 or RBV-402LFA
 D41 : HZS11N(B) or RD11ES(B)
 D57, 58 : HZS13N(B2) or RD13ES(B2)

DESTINATION	DESTINATION					
	RX-29	RX-49	RX-39	RX-59	RX-29	RX-59
(A) 2-70	0-21	2-71	0-22	0-23	0-24	
(B) NO	NO	YES	YES	YES	YES	YES
(C) CN11-14, WH2-6, S1	NO	YES	NO	YES	YES	YES
(D) R245, C140, WH1, 12, J12	NO	NO	NO	NO	YES	YES
(E) YES	YES	YES	YES	NO	NO	NO
(F) NO	YES	NO	NO	YES	YES	YES
(G) K2, Q25, D43, R313-315, CN21, 22, C182	YES	YES	YES	YES	NO	YES
(H) Q34, R285-287, R292, 293	NO	YES	YES	YES	YES	YES
(I) CN6, 7	NO	NO	YES	YES	NO	YES
(J) W158, 177	YES	YES	NO	NO	YES	NO
(K) C196, WH10, W151, 153, W277, 278	YES	NO	YES	NO	NO	NO
(L) C207, 208, WH13	YES	NO	YES	NO	NO	NO
(M) J13	NO	NO	YES	YES	NO	YES



RX-29/39/49/59 (3/5)

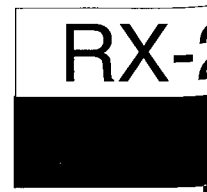
CAUTION: For continued safety, nents only with manufacturer's parts list). Δ indicates safety crit risk of electric shock, leakage-c ments shall be carried out (expos ed from the supply circuit) before customer.

DOLBY and the double-D symbol ratories Licensing Corporation. under license from Dolby Laborat

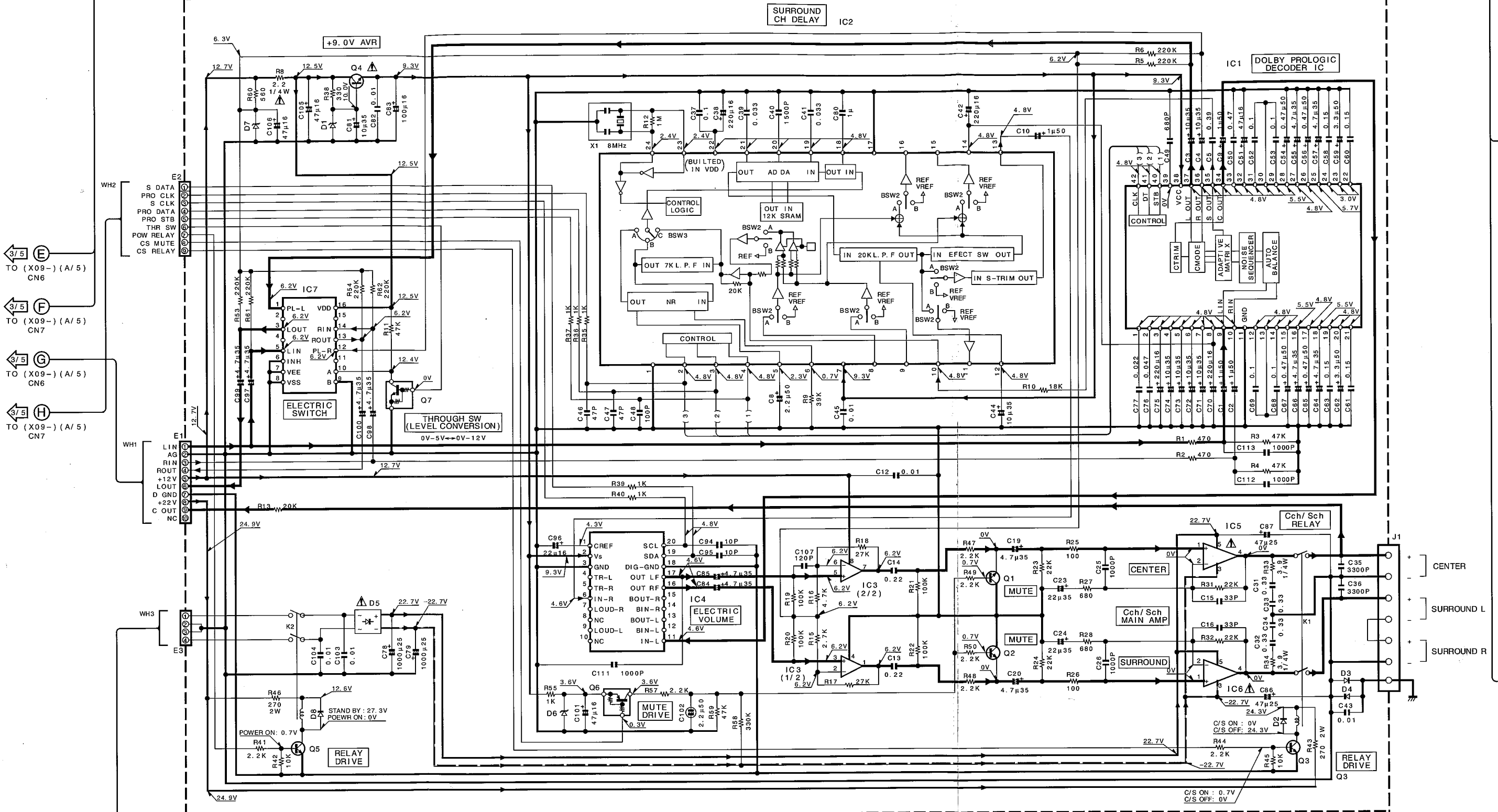
DC voltages are as measured wi Values may vary slightly due to instruments or/and units.

Les tensions c.c doivent être mes haute impédance Les valeurs p fait des variations inhérentes aux de mesure individuels

Die angegebenen Gleichspannung hochohmigen Spannungsmesser die Meßwerte aufgrund von Unt Instrumenten oder Geräten u. U c

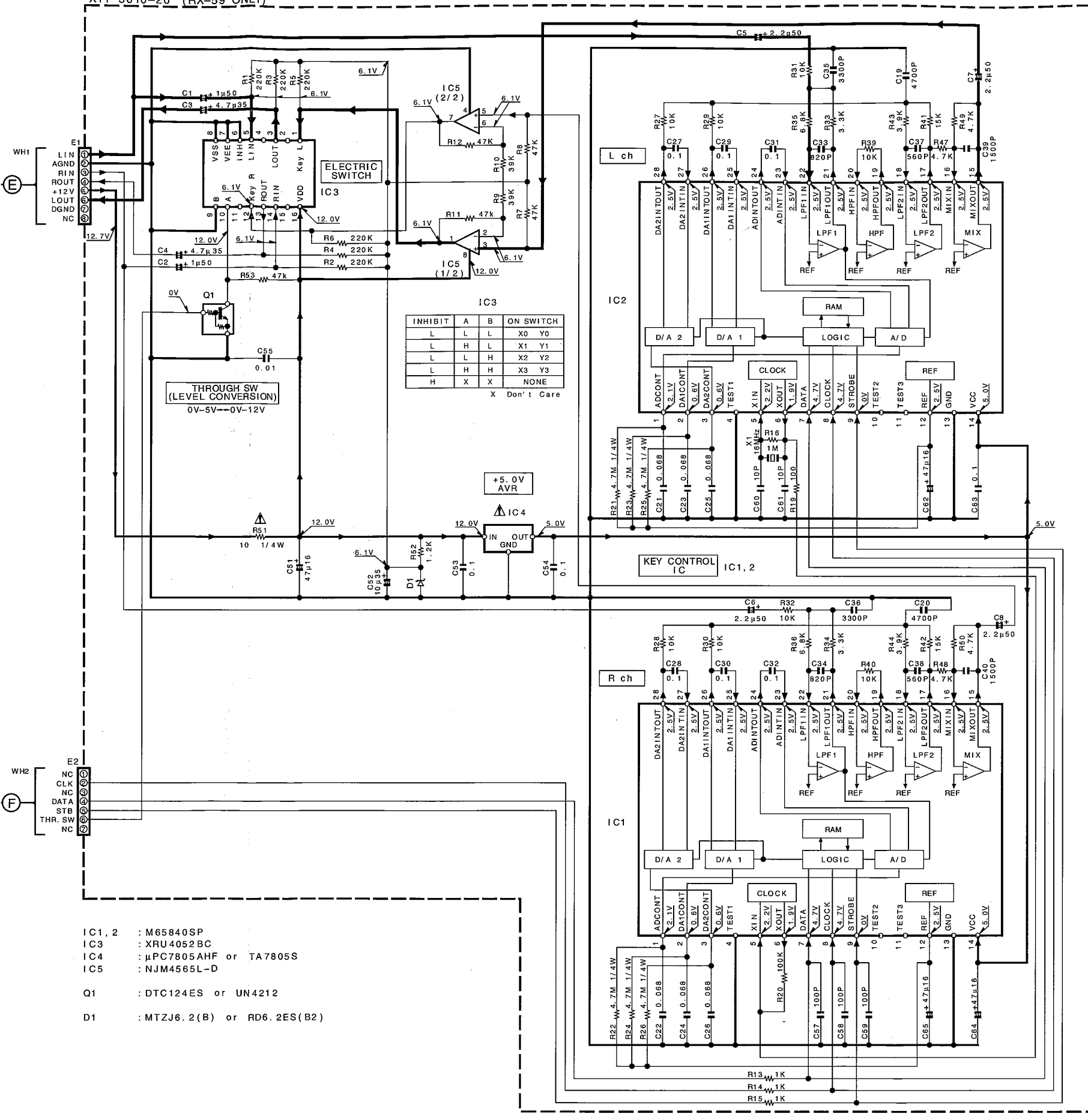


X08-2692-70(A/2) RX-49 ONLY



- | | | |
|-------------------|-------------------------------------|--------------------------------|
| IC1 : LA 2785 | Q1, 2 : 2SC2878(B) | D1 : MTZJ10(B) or RD10ES(B2) |
| IC2 : LV1011 | Q3, 5 : 2SC2003(L, K) | D2-4, 8 : HSS104A or 1SS131 |
| IC3 : NJM4565L-D | Q4 : 2SC3940A(R, S) or 2SD863(E, F) | D5 : D3SBA20F03 |
| IC4 : TDA7315 | Q6 : DTA113ZS or UN4119 | D6 : MTZJ3.9(B) or RD3.9ES(B2) |
| IC5, 6 : TDA2050V | Q7 : DTC124ES or UN4212 | D7 : MTZJ6.2(B) or RD6.2ES(B2) |
| IC7 : XRU4052BC | | |

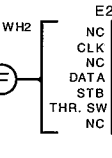
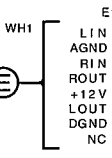
X11-3610-20 (RX-59 ONLY)



IC3

INHIBIT	A	B	ON SWITCH
L	L	L	X0 Y0
L	H	L	X1 Y1
L	L	H	X2 Y2
L	H	H	X3 Y3
H	X	X	NONE

X Don't Care



- IC1, 2 : M65840SP
- IC3 : XRU4052BC
- IC4 : μPC7805AHF or TA7805S
- IC5 : NJM4565L-D
- Q1 : DTC124ES or UN4212
- D1 : MTZJ6.2(B) or RD6.2ES(B2)

CAUTION: For continued safety, replace safety critical comp manufacturer's recommended parts (refer to parts list). ⚠ critical components. To reduce the risk of electric shock, leakage resistance measurements shall be carried out (exposed parts insulated from the supply circuit) before the appliance is returned.

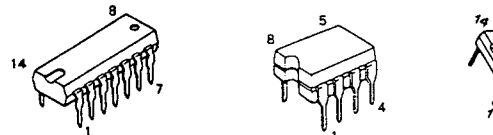
DOLBY and the double-D symbol are trademarks of Dolby Licensing Corporation. Noise reduction circuit made under license of Dolby Laboratories Licensing Corporation.

DC voltages are as measured with a high impedance voltmeter. Values may vary slightly due to variations between individual instruments.

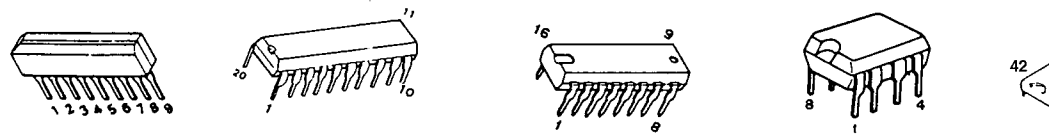
Les tensions c.c doivent être mesurées avec un voltmètre à haute impédance. Les valeurs peuvent différer légèrement des valeurs inhérentes aux appareils et aux instruments de mesure individuels.

Die angegebenen Gleichspannungswerte wurden mit einer Spannungsmesser gemessen. Dabei schwanken die Meßwerte unterschieden zwischen einzelnen Instrumenten oder Gerätegruppen.

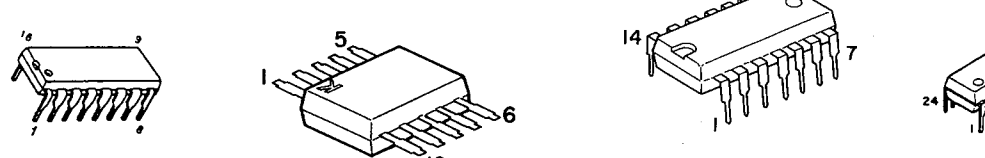
XRU4066BC NJM4565D NJM



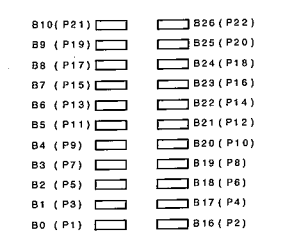
TA8125S TDA7315 BU4094BC BA10393 LA27E



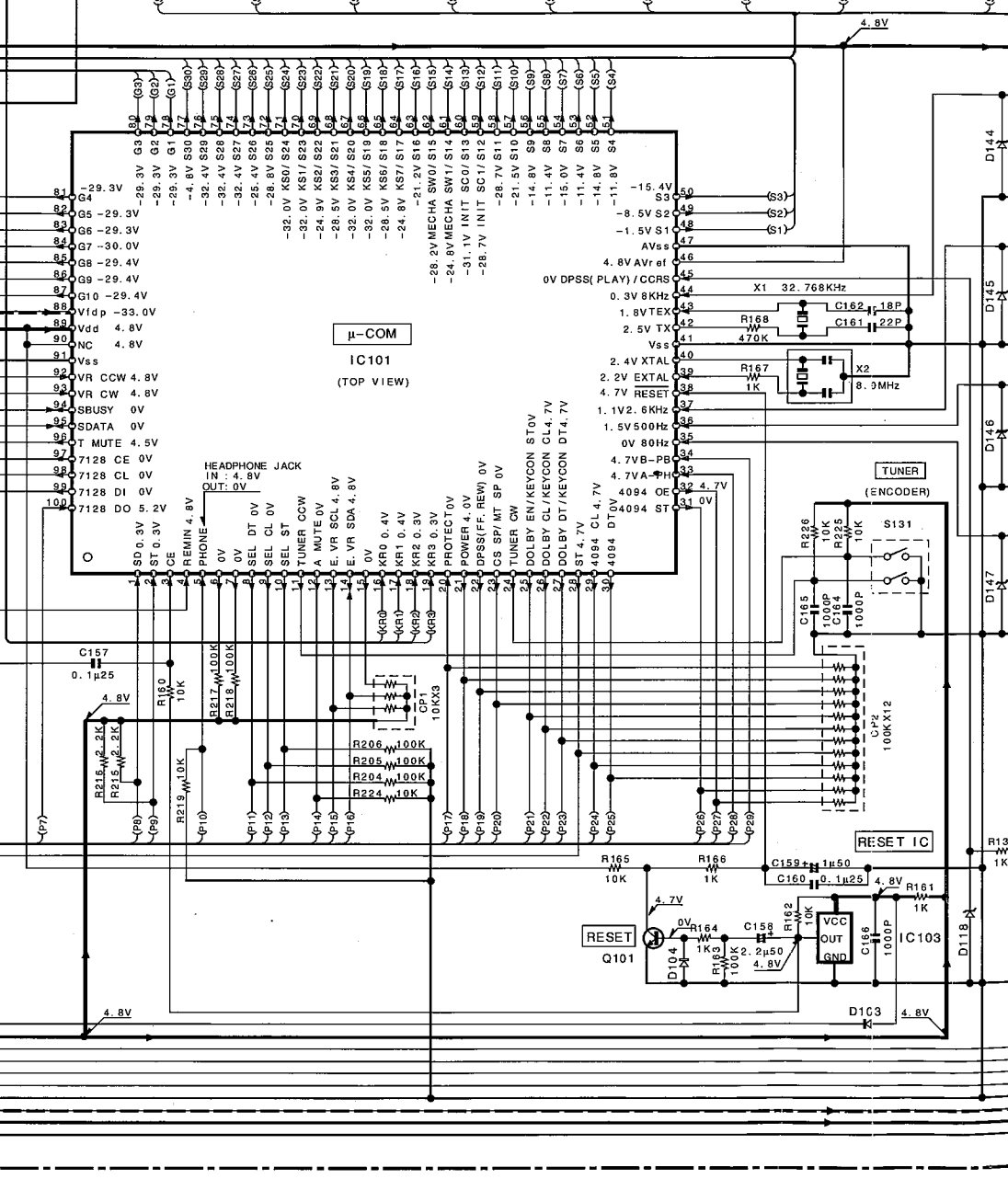
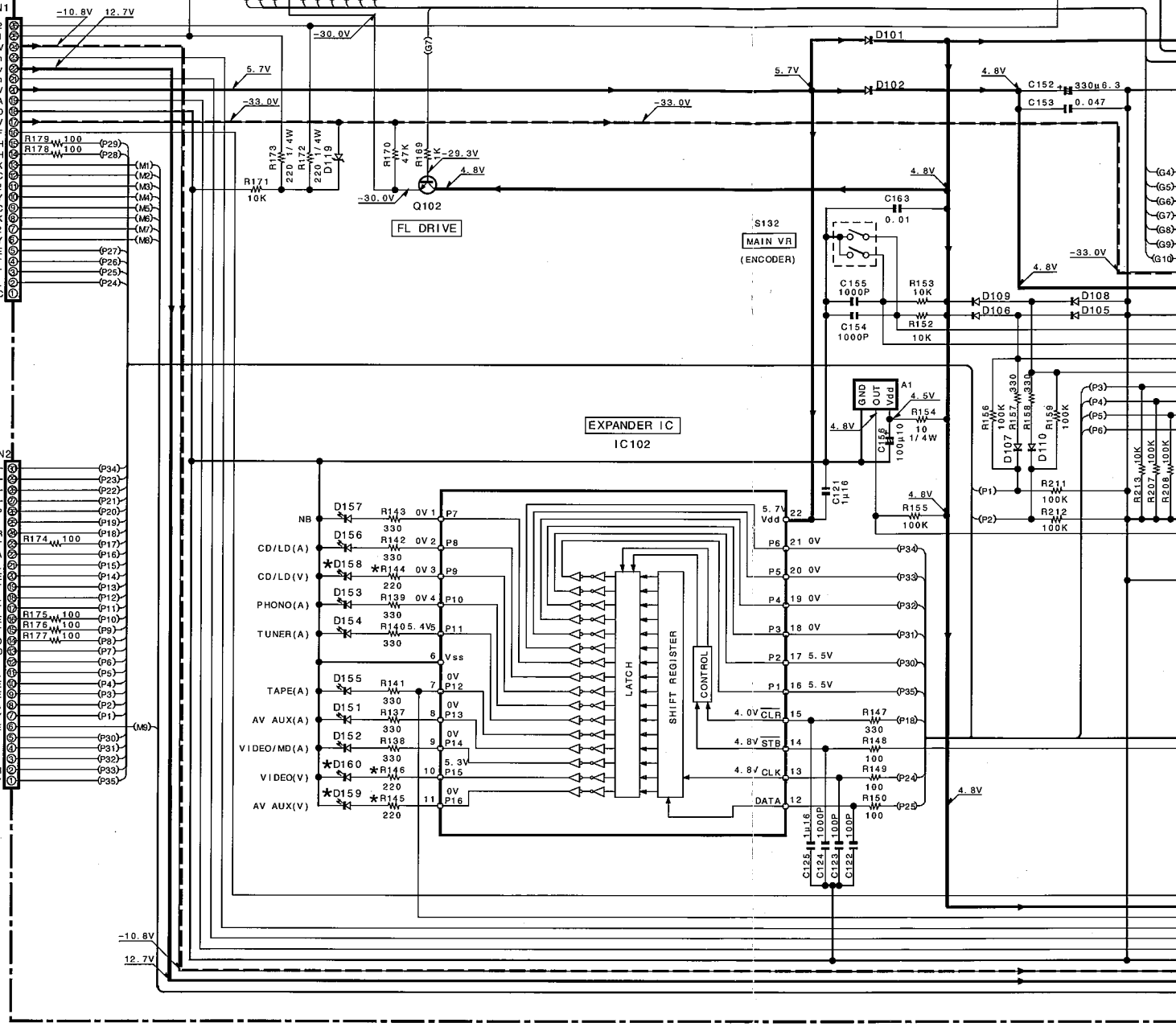
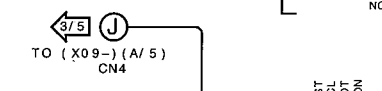
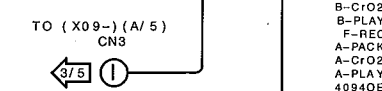
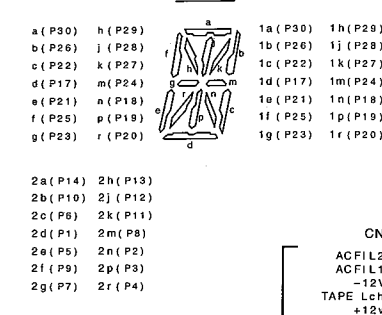
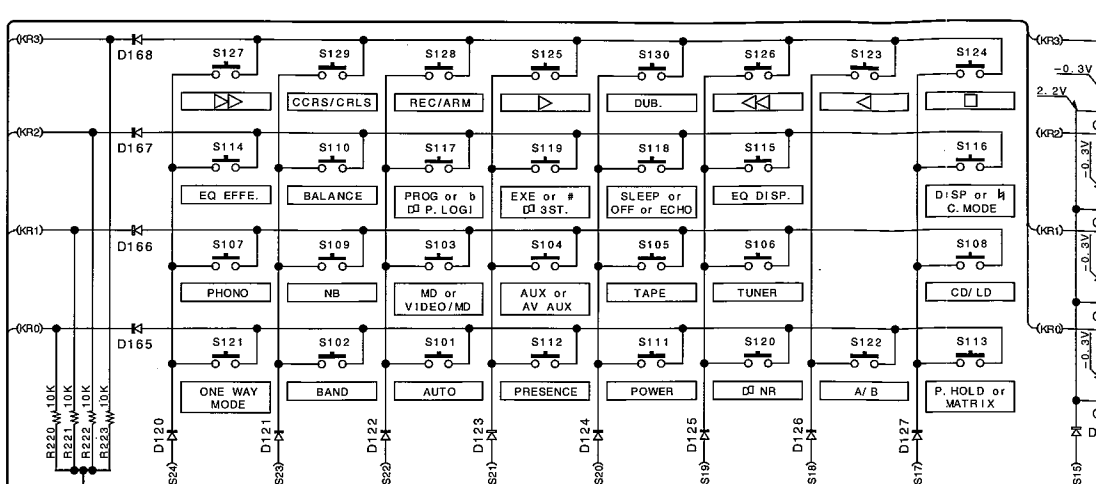
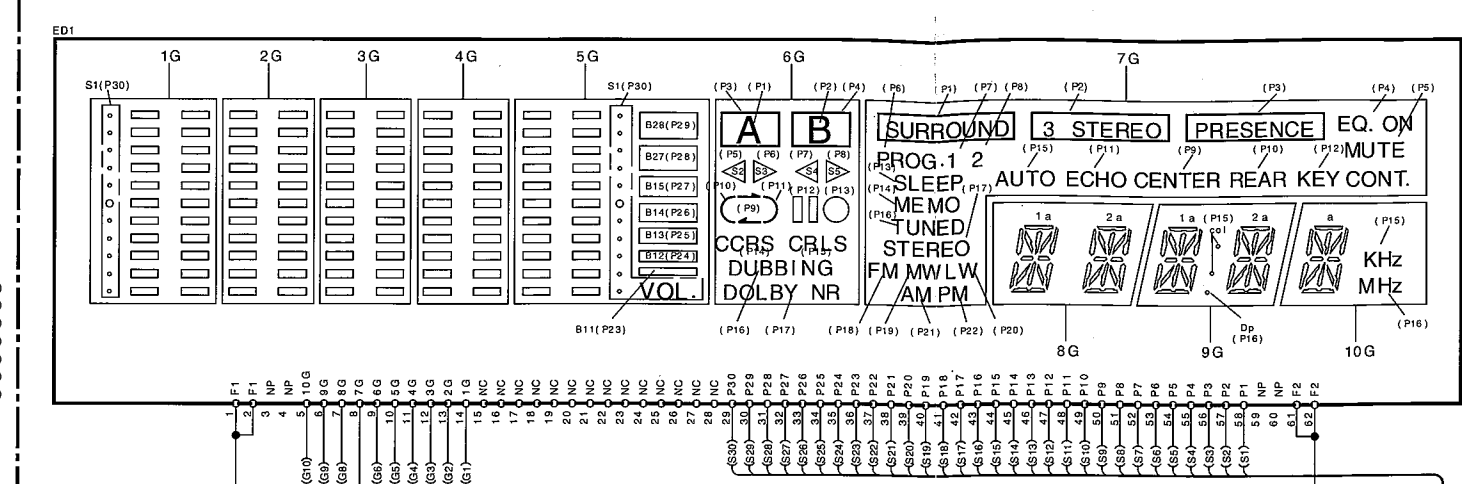
XRU4052BC NJU3715L M65844P LC7218 LV1011



1G-5G



X14-4062-70 (A/2)



2

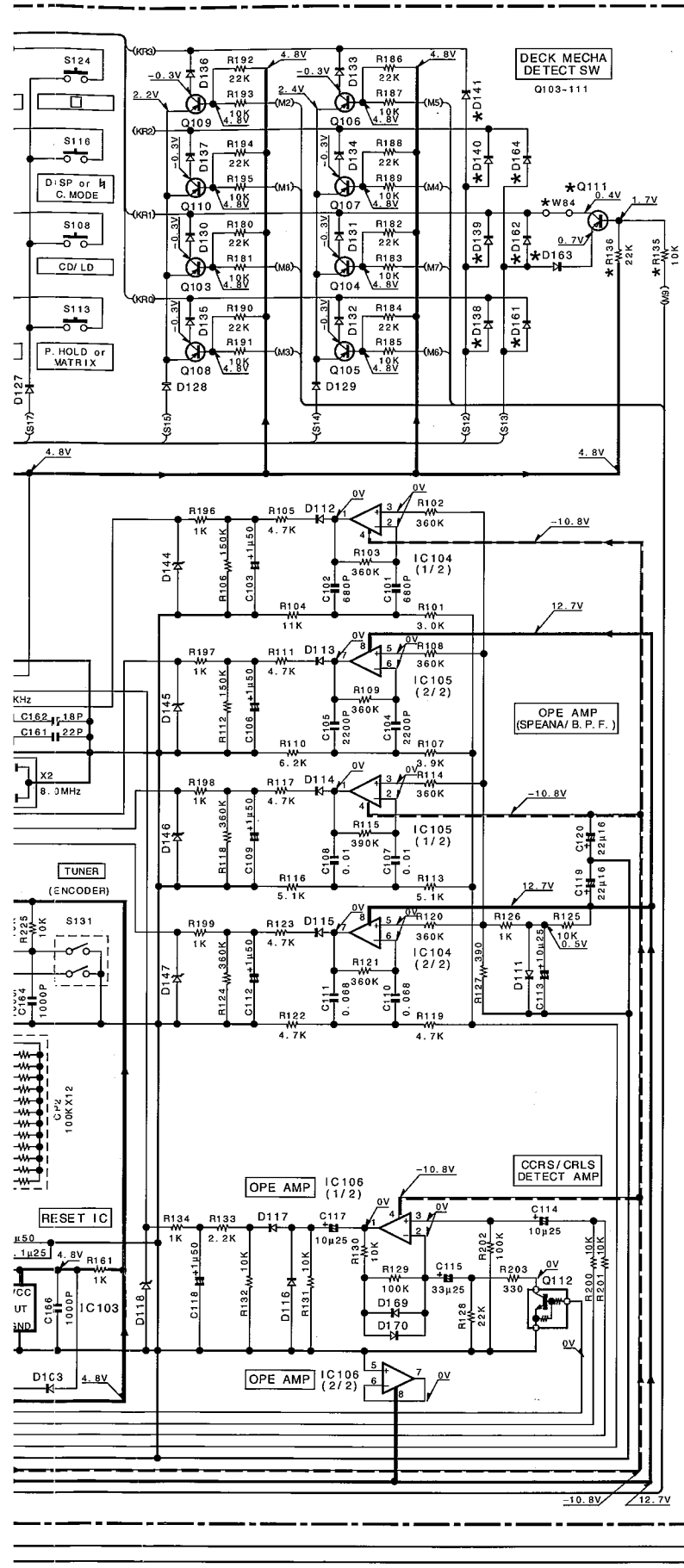
3

4

5

6

7



	2-70	2-71	0-51	0-52	0-21	0-22	0-23	0-24	0-71	0-72
D138	NO	NO	NO	NO	NO	NO	YES	YES	NO	NO
D139	NO	YES	NO	YES	NO	NO	YES	YES	NO	YES
D140	NO	NO	NO	NO	YES	YES	YES	YES	NO	NO
D141	NO	NO	NO	NO	YES	YES	YES	YES	NO	NO
D161	YES	YES	NO	NO	YES	YES	YES	YES	YES	YES
D162	YES	YES	NO	NO	NO	NO	NO	NO	NO	NO
W84, D163, Q111, R135, R136	NO	NO	NO	NO	YES	YES	YES	YES	NO	NO
D164	NO	NO	YES	YES	NO	NO	NO	NO	NO	NO
D158, R144	NO	NO	NO	NO	NO	NO	YES	YES	NO	NO
D159, R145	NO	YES	NO	YES	NO	YES	YES	YES	NO	YES
D160, R146	NO	YES	NO	YES	NO	YES	YES	YES	NO	YES

- IC101 : CXP82440A-123Q
- IC102 : NJU3715L
- IC103 : PST9140-T
- IC104, 105, 106 : NJM4565D

- Q101, 102 : 2SC1740S(Q,R) or 2SC2785(F,E)
- Q103-111 : 2SA933S(Q,R) or 2SA1175(F,E)
- Q112 : UN4212 or DTC124ES
- D120-129, 138-141, 161-164 : 1SS131 or HSS104A
- D118, 144-147 : MTZ5.1(B) or RD5.1E(B2)
- D119 : MTZJ5.6(B) or RD5.6E(B2)
- D151-157 : B30-1012-05
- D158-160, : B30-2462-05
- ED1 : BJ376GK

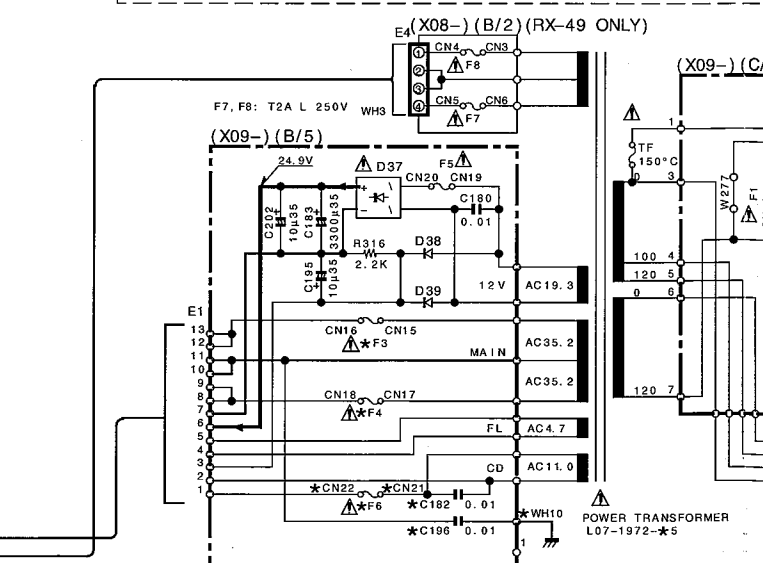
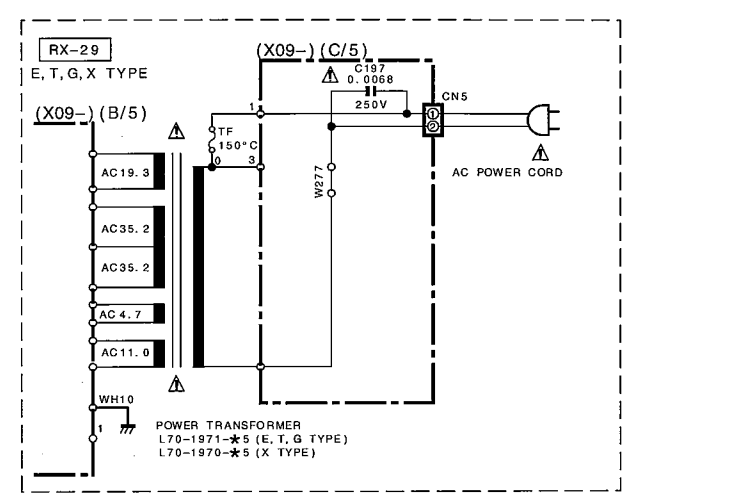
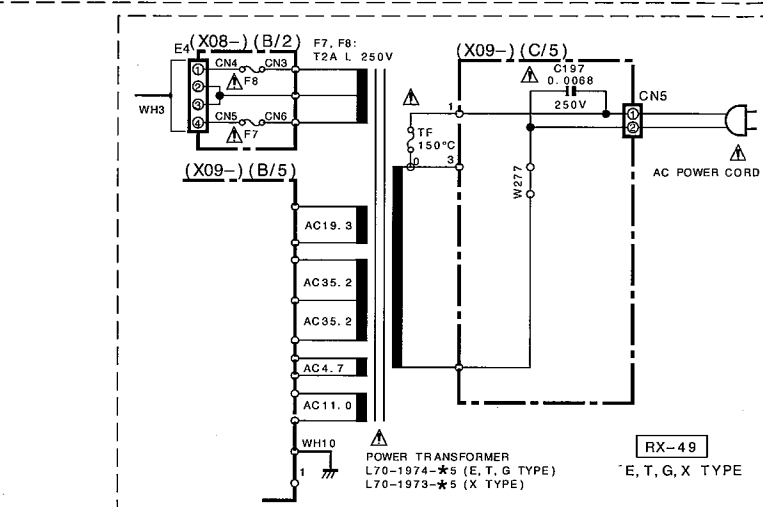
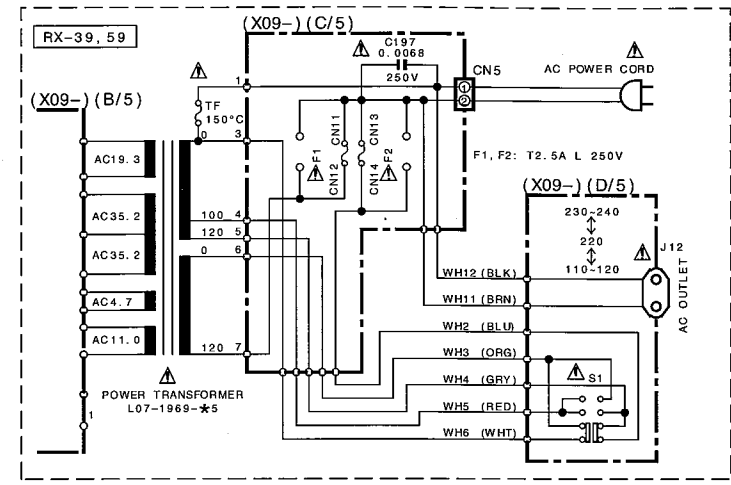
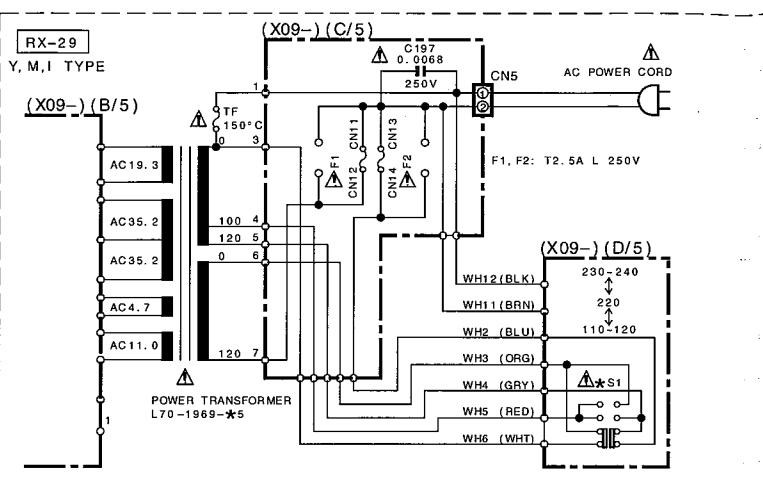
CAUTION: For continued safety, replace safety critical components with manufacturer's recommended parts (refer to parts list). To reduce the risk of electric shock, safety critical components. To reduce the risk of electric shock, safety critical components. To reduce the risk of electric shock, safety critical components. To reduce the risk of electric shock, safety critical components. To reduce the risk of electric shock, safety critical components.

DOLBY and the double-D symbol are trademarks of Dolby Licensing Corporation. Noise reduction circuit made under Dolby Laboratories Licensing Corporation.

DC voltages are as measured with a high impedance voltmeter vary slightly due to variations between individual instruments or

Les tensions c.c doivent être mesurées avec un voltmètre à haute impédance Les valeurs peuvent différer légèrement fait des variations inhérentes aux appareils et aux instruments de mesure individuels

Die angegebenen Gleichspannungswerte wurden mit einem hochohmigen Spannungsmesser gemessen. Dabei sc Meßwerte aufgrund von Unterschieden zwischen einzelnen oder Geräten u. U geringfügig.

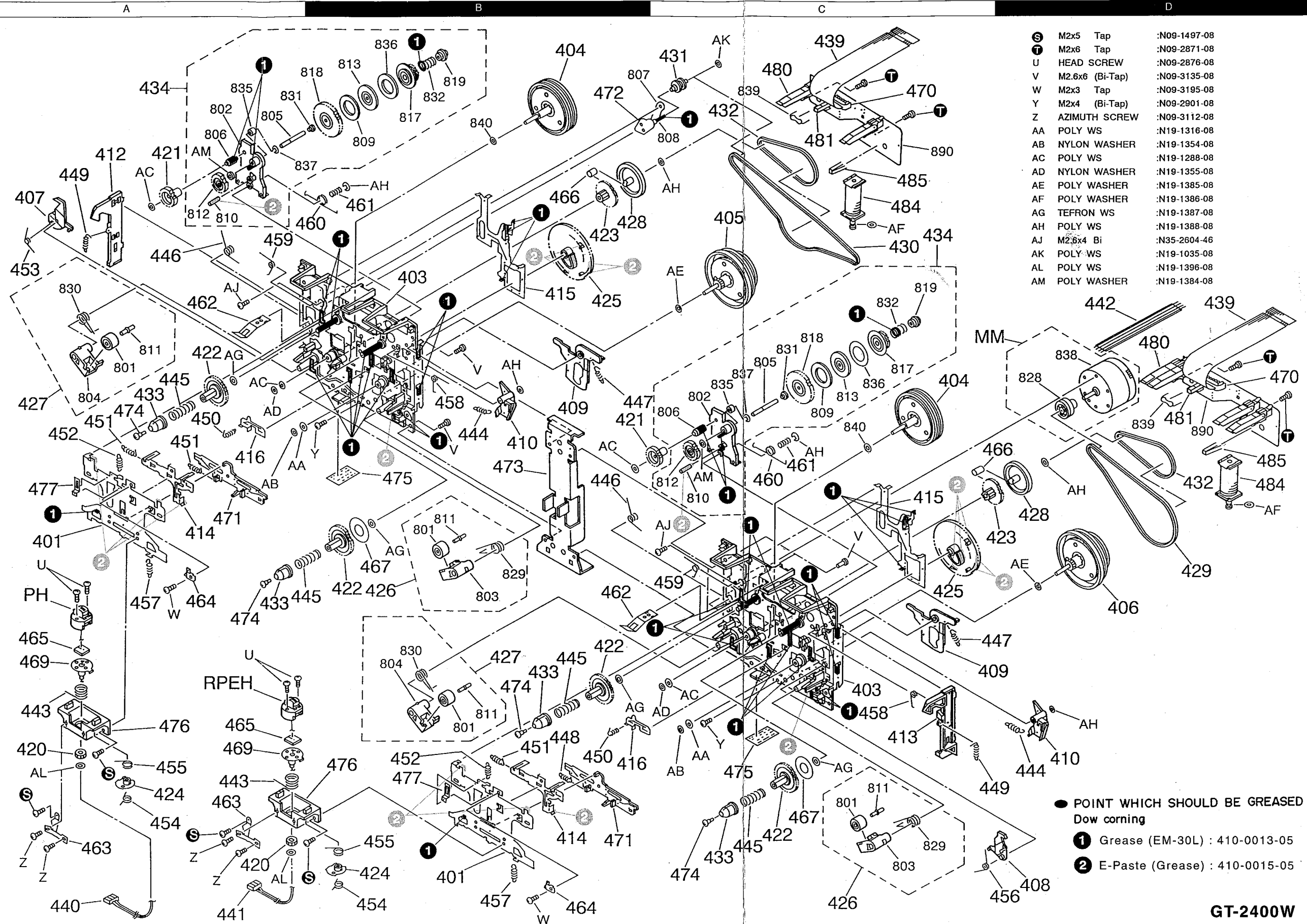


	DESTINATION			
	RX-29	RX-49	RX-39	RX-59
F3, 4	250V	T5A L 250V	T5A L 250V	T5A L 250V
F5	250V	T2A L 250V	T2A L 250V	T2A L 250V
F6	250V	T2A L 250V	T2A L 250V	NO

RX-29/39/48/59 (5/5)

RX-29/39/49/59 RX-29/39/49/59

EXPLODED VIEW (MECHANISM)



Ⓢ	M2x5 Tap	:N09-1497-08
Ⓣ	M2x6 Tap	:N09-2871-08
U	HEAD SCREW	:N09-2876-08
V	M2.6x6 (Bi-Tap)	:N09-3135-08
W	M2x3 Tap	:N09-3195-08
Y	M2x4 (Bi-Tap)	:N09-2901-08
Z	AZIMUTH SCREW	:N09-3112-08
AA	POLY WS	:N19-1316-08
AB	NYLON WASHER	:N19-1354-08
AC	POLY WS	:N19-1288-08
AD	NYLON WASHER	:N19-1355-08
AE	POLY WASHER	:N19-1385-08
AF	POLY WASHER	:N19-1386-08
AG	TEFRON WS	:N19-1387-08
AH	POLY WS	:N19-1388-08
AJ	M2.6x4 Bi	:N35-2604-46
AK	POLY WS	:N19-1035-08
AL	POLY WS	:N19-1396-08
AM	POLY WASHER	:N19-1384-08

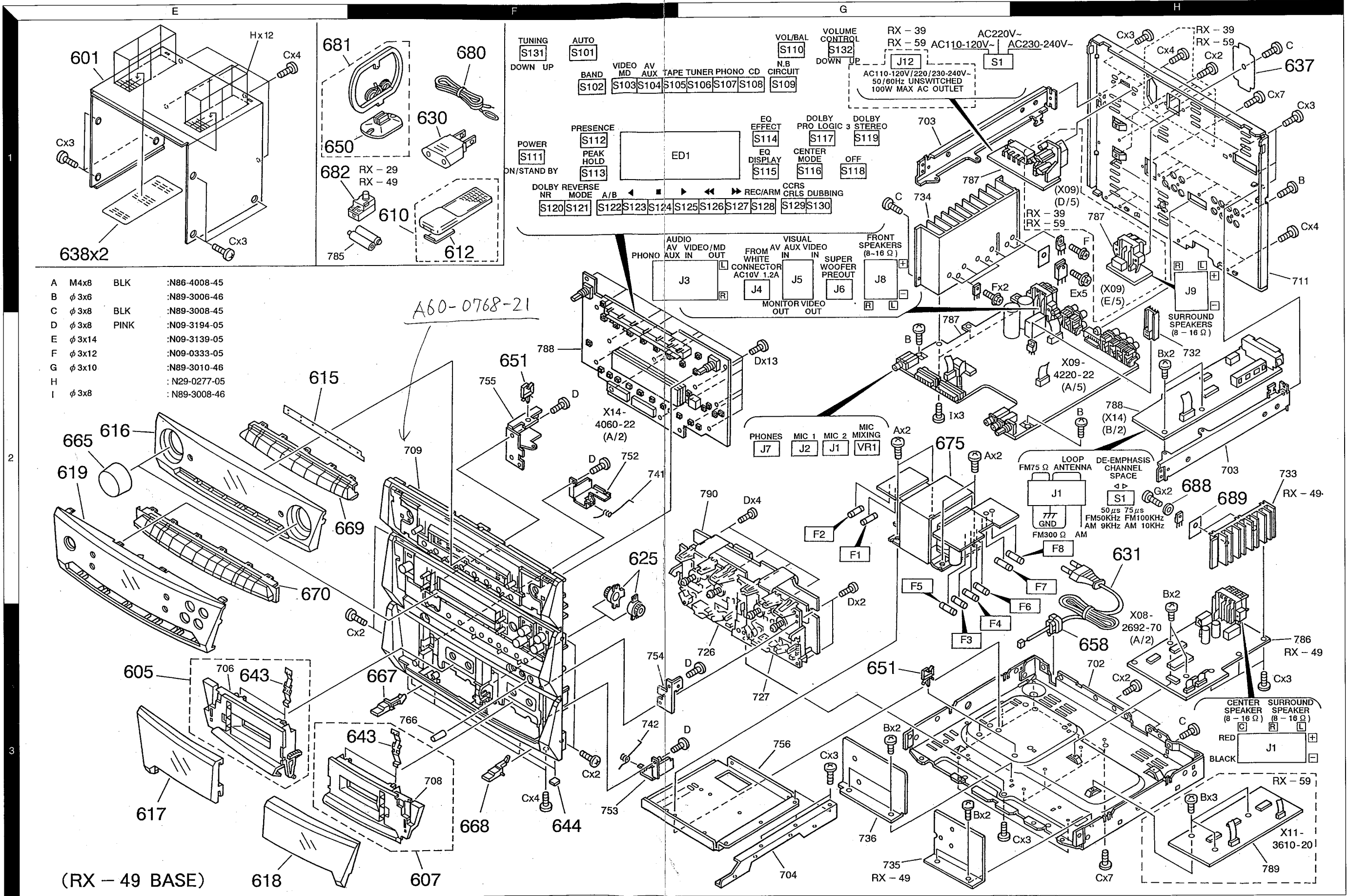
- POINT WHICH SHOULD BE GREASED
Dow corning
- ① Grease (EM-30L) : 410-0013-05
- ② E-Paste (Grease) : 410-0015-05

GT-2400W

Parts with the exploded numbers larger than 700 are not supplied.

RX-29/39/49/59 RX-29/39/49/59

EXPLODED VIEW (UNIT)



A	M4x8	BLK	:N86-4008-45
B	φ 3x6		:N89-3006-46
C	φ 3x8	BLK	:N89-3008-45
D	φ 3x8	PINK	:N09-3194-05
E	φ 3x14		:N09-3139-05
F	φ 3x12		:N09-0333-05
G	φ 3x10		:N89-3010-46
H	φ 3x8		:N29-0277-05
I	φ 3x8		:N89-3008-46

A60-0768-21

(RX - 49 BASE)

Parts with the exploded numbers larger than 700 are not supplied.

PARTS LIST

* New Parts
Parts without **Parts No.** are not supplied.
Les articles non mentionnés dans le **Parts No.** ne sont pas fournis.
Teile ohne **Parts No.** werden nicht geliefert.

NO. 2

Ref. No.	Add-ress	New Parts	Parts No.	Description	Desti-nation	Re-marks
630	1E		E03-0115-05	AC PLUG ADAPTER	MI	
631	2G		E30-2592-15	AC POWER CORD	MI	
631	2G		E30-2605-05	AC POWER CORD	Y	
631	2G		E30-2717-05	AC POWER CORD	X	
631	2G		E30-2721-05	AC POWER CORD	T	
637	1G	*	F20-1459-04	INSULATING SHEET	MI	
638	1D	*	F20-1460-03	INSULATING BOARD		
643	3D3E		G02-1040-04	FLAT SPRING		
644	3E		G11-2200-04	CUSHION		
		*	H50-1612-04	ITEM CARTON CASE	YGE	2
		*	H50-1613-04	ITEM CARTON CASE	XT	2
		*	H50-1614-04	ITEM CARTON CASE	MI	2
		*	H50-1615-04	ITEM CARTON CASE	YE	4
		*	H50-1616-04	ITEM CARTON CASE	XT	4
		*	H50-1617-04	ITEM CARTON CASE	MI	4
		*	H50-1618-04	ITEM CARTON CASE		3
		*	H50-1619-04	ITEM CARTON CASE		5
		*	H50-1656-04	ITEM CARTON CASE (SINGAPORE)	E	2
		*	H10-7081-12	POLYSTYRENE FOAMED FIXTURE(L)	YMI	
		*	H10-7082-12	POLYSTYRENE FOAMED FIXTURE(R)	YMI	
		*	H10-7083-12	POLYSTYRENE FOAMED FIXTURE(L)	XT	
		*	H10-7084-12	POLYSTYRENE FOAMED FIXTURE(R)	XT	
		*	H25-0232-04	PROTECTION BAG (235X350X0.03)	YMI	
		*	H25-0632-24	PROTECTION BAG	E	
		*	H25-0651-04	PROTECTION BAG (0232)	Y	
		*	H25-1508-04	PROTECTION BAG	XT	
		*	H25-1509-04	PROTECTION BAG	MI	
651	3F		J11-0141-05	WIRE CLAMPER		
658	3G		J42-0083-05	POWER CORD BUSHING		
	29		J61-0307-05	WIRE BAND		
665	2D		K29-6043-04	KNOB (TUNING,VOLUME)		
667	3E	*	K29-6193-04	KNOB (EJECT A)		
668	3E	*	K29-6194-04	KNOB (EJECT B)		
669	2D	*	K29-6195-13	KNOB (SELECT)		2
669	2D	*	K29-6196-13	KNOB (SELECT)		4
669	2D	*	K29-6199-13	KNOB (SELECT)		3
669	2D	*	K29-6199-13	KNOB (SELECT)		5
670	2D	*	K29-6201-02	KNOB (PLAY,STOP)		
675	2F	*	L07-1969-05	POWER TRANSFORMER	YMI	3,5
675	2F	*	L07-1970-05	POWER TRANSFORMER	X	2
675	2F	*	L07-1971-05	POWER TRANSFORMER	TGE	2
675	2F	*	L07-1972-05	POWER TRANSFORMER	YMI	4
675	2F	*	E07-1973-05	POWER TRANSFORMER	X	4
675	2F	*	L07-1974-05	POWER TRANSFORMER	TE	4
680	1E		T90-0182-15	LEAD WIRE ANTENNA		
681	1E		T90-0195-05	LOOP ANTENNA		
682	1E		T90-0198-05	ANTENNA ADAPTOR	TGE	2
682	1E		T90-0198-05	ANTENNA ADAPTOR	TE	4
SURROUND UNIT (X08-2692-70)						
C1	2		CE04LW1H010M	ELECTRO		
C3	4		CE04LW1V1700M	ELECTRO		
C5			CF92EVH394J	MF-C		
				1.0UF		50WV
				10UF		35WV
				0.39UF		J

* New Parts
Parts without **Parts No.** are not supplied.
Les articles non mentionnés dans le **Parts No.** ne sont pas fournis.
Teile ohne **Parts No.** werden nicht geliefert.

NO. 1

Ref. No.	Add-ress	New Parts	Parts No.	Description	Desti-nation	Re-marks
RX-29/39/49/59						
601	1D	*	A01-3266-01	METALLIC CABINET		
605	3D	*	A53-1902-13	CASSETTE HOLDER ASSY		2
607	3E	*	A53-1904-13	CASSETTE HOLDER ASSY		4
610	1E	*	A70-1024-05	REMOTE CONTROLLER ASSY		5
610	1E	*	A70-1025-05	REMOTE CONTROLLER ASSY		3
610	1E	*	A70-1026-05	REMOTE CONTROLLER ASSY		
610	1E	*	A70-1035-05	REMOTE CONTROLLER ASSY		
611	1E	*	A09-0194-08	BATTERY COVER		
615	2D	*	B03-2961-04	DRESSING PLATE		
616	2D	*	B10-2140-12	FRONT GLASS		2
616	2D	*	B10-2141-12	FRONT GLASS		4
616	2D	*	B10-2142-12	FRONT GLASS		3
616	2D	*	B10-2143-12	FRONT GLASS		5
617	3D	*	B10-2147-02	FRONT GLASS		
618	3D	*	B10-2148-02	FRONT GLASS		
619	2D	*	B10-2146-12	FRONT GLASS	YMI	2
619	2D	*	B10-2151-12	FRONT GLASS	XTGE	4
619	2D	*	B10-2152-12	FRONT GLASS		
619	2D	*	B10-2153-12	FRONT GLASS		3
619	2D	*	B10-2154-12	FRONT GLASS		5
		*	B46-0096-53	WARRANTY CARD	X	
		*	B46-0307-23	WARRANTY CARD	Y	
		*	B46-0310-03	WARRANTY CARD	TGE	
		*	B46-0319-00	QUESTIONNAIRE CARD	T	
		*	B58-0964-13	CAUTION CARD (UL)	Y	
		*	B58-0965-13	CAUTION CARD (PL)	XT	
		*	B58-0966-13	CAUTION CARD (PL)	MIE	
		*	B58-0968-04	CAUTION CARD	Y	
		*	B58-0970-13	CAUTION CARD	G	
		*	B59-1104-00	SERVICE DIRECTORY	Y	
		*	B60-2238-00	INST MANU(ENGLISH)	YMI	2
		*	B60-2238-00	INST MANU(ENGLISH)	XT	4
		*	B60-2239-00	INST MANU(FRENCH)	YMI	2
		*	B60-2239-00	INST MANU(FRENCH)	E	
		*	B60-2240-00	INST MANU(GERMANY)	E	4
		*	B60-2241-00	INST MANU(DUTCH)	E	2
		*	B60-2241-00	INST MANU(DUTCH)	E	4
		*	B60-2242-00	INST MANU(ITALY)	E	2
		*	B60-2242-00	INST MANU(ITALY)	E	4
		*	B60-2243-00	INST MANU(SPANISH)	ME	4
		*	B60-2243-00	INST MANU(SPANISH)	MI	2
		*	B60-2244-00	INST MANU(CHINESE)	MI	4
		*	B60-2244-00	INST MANU(CHINESE)	MI	4
		*	B60-2245-00	INST MANU(TIWAN)	M	2
		*	B60-2245-00	INST MANU(TIWAN)	M	4
		*	B60-2246-00	INST MANU(ENGLISH)	E	5
		*	B60-2246-00	INST MANU(ENGLISH)	M	5
		*	B60-2248-00	INST MANU(CHINESE)	MI	5
		*	B60-2249-00	INST MANU(TIWAN)	M	5
		*	B60-2329-00	INST MANU(ENGLISH)	MI	3
		*	B60-2331-00	INST MANU(CHINESE)	MI	3
		*	B60-2332-00	INST MANU(TIWAN)	M	3
625	2E		D39-0316-05	DAMPER		

L: Scandinavia
Y: PX(Far East, Hawaii)
Y: AAFES(Europe)
I: Malaysia
K: USA
T: England
X: Australia
R: Mexico
P: Canada
E: Europe
M: Other Areas
G: Germany
4: RX-29
3: RX-39
5: RX-59
4: RX-49
5: RX-59
A indicates safety critical components.

PARTS LIST

NO. 4

* New Parts Parts without Parts No. are not supplied. Les articles non mentionnés dans le Parts No. ne sont pas fournis. Teile ohne Parts No. werden nicht geliefert.

Table with 5 columns: Ref. No., Add-ress, New Parts, Parts No., Description, Re-marks. Contains parts for AUDIO UNIT (X09-422X-XX).

L: Scandinavia P: Canada K: USA Y: P(X)Far East, Hawaii T: England E: Europe X: Australia M: Other Areas R: Mexico G: Germany

indicates safety critical components.



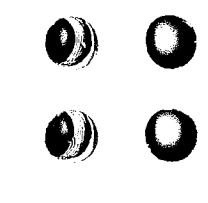
NO. 3

* New Parts Parts without Parts No. are not supplied. Les articles non mentionnés dans le Parts No. ne sont pas fournis. Teile ohne Parts No. werden nicht geliefert.

Table with 5 columns: Ref. No., Add-ress, New Parts, Parts No., Description, Re-marks. Contains parts for AUDIO UNIT (X09-422X-XX).

L: Scandinavia P: Canada K: USA Y: P(X)Far East, Hawaii T: England E: Europe X: Australia M: Other Areas R: Mexico G: Germany

indicates safety critical components.



PARTS LIST

NO. 6

* New Parts Parts without Parts No. are not supplied. Les articles non mentionnés dans le Parts No. ne sont pas fournis. Teile ohne Parts No. werden nicht geliefert.

Table with 5 columns: Ref. No., Add-ress, New Parts, Parts No., Description, Re-marks. Contains parts for AUDIO UNIT (X09-422X-XX).

L: Scandinavia P: Canada K: USA Y: P(X)Far East, Hawaii T: England E: Europe X: Australia M: Other Areas R: Mexico G: Germany

NO. 5

* New Parts Parts without Parts No. are not supplied. Les articles non mentionnés dans le Parts No. ne sont pas fournis. Teile ohne Parts No. werden nicht geliefert.

Table with 5 columns: Ref. No., Add-ress, New Parts, Parts No., Description, Re-marks. Contains parts for AUDIO UNIT (X09-422X-XX).

L: Scandinavia P: Canada K: USA Y: P(X)Far East, Hawaii T: England E: Europe X: Australia M: Other Areas R: Mexico G: Germany

PARTS LIST

NO. 8

* New Parts
Parts without Parts No. are not supplied.
Les articles non mentionnés dans le Parts No. ne sont pas fournis.
Teile ohne Parts No. werden nicht geliefert.

Table with 5 columns: Ref. No., Add-ress, Parts No., Description, Desti-nation, Re-marks. Contains parts like RS14KB3D271J, RS14KB3A152J, etc.

L : Scandinavia K : USA P : Canada 2 : RX-29 4 : RX-49
Y : PX(Far East, Hawaii) T : England 3 : RX-39 5 : RX-59
Y : AAFES(Europe) X : Australia M : Other Areas
I : Malaysia R : Mexico G : Germany
∆ indicates safety critical components.

NO. 7

* New Parts
Parts without Parts No. are not supplied.
Les articles non mentionnés dans le Parts No. ne sont pas fournis.
Teile ohne Parts No. werden nicht geliefert.

Table with 5 columns: Ref. No., Add-ress, Parts No., Description, Desti-nation, Re-marks. Contains parts like PIN ASSY, PIN ASSY, PHONE JACK (MIC), etc.

L : Scandinavia K : USA P : Canada 2 : RX-29 4 : RX-49
Y : PX(Far East, Hawaii) T : England 3 : RX-39 5 : RX-59
Y : AAFES(Europe) X : Australia M : Other Areas
I : Malaysia R : Mexico G : Germany
∆ indicates safety critical components.

PARTS LIST

NO. 10

* New Parts
Parts without Parts No. are not supplied.
Les articles non mentionnés dans le Parts No. ne sont pas fournis.
Teile ohne Parts No. werden nicht geliefert.

Table with 5 columns: Ref. No., Add-ress, Parts No., Description, Desti-nation, Re-marks. Contains parts like IC14, IC15, Q1-4, Q5,6, Q7,8, etc.

L : Scandinavia K : USA P : Canada 2 : RX-29 4 : RX-49
Y : PX(Far East, Hawaii) T : England 3 : RX-39 5 : RX-59
Y : AAFES(Europe) X : Australia M : Other Areas
I : Malaysia R : Mexico G : Germany
∆ indicates safety critical components.

NO. 9

* New Parts
Parts without Parts No. are not supplied.
Les articles non mentionnés dans le Parts No. ne sont pas fournis.
Teile ohne Parts No. werden nicht geliefert.

Table with 5 columns: Ref. No., Add-ress, Parts No., Description, Desti-nation, Re-marks. Contains parts like D32, D33,34, D35, D36, etc.

L : Scandinavia K : USA P : Canada 2 : RX-29 4 : RX-49
Y : PX(Far East, Hawaii) T : England 3 : RX-39 5 : RX-59
Y : AAFES(Europe) X : Australia M : Other Areas
I : Malaysia R : Mexico G : Germany
∆ indicates safety critical components.

PARTS LIST

NO. 12

* New Parts
Parts without Parts No. are not supplied.
Les articles non mentionnés dans le Parts No. ne sont pas fournis.
Teile ohne Parts No. werden nicht geliefert.

Table with columns: Ref. No., Add-ress, New Parts, Parts No., Description, Desti-nation, Re-marks. Includes parts like C40, C41, C42, C43, C44, C45, etc.

L: Scandinavia
Y: PX(Far East, Hawaii)
Y: AAFES(Europe)
I: Malaysia
K: USA
T: England
X: Australia
R: Mexico
P: Canada
E: Europe
M: Other Areas
G: Germany
2: RX-29
3: RX-39
4: RX-49
5: RX-59
A indicates safety critical components.

NO. 11

* New Parts
Parts without Parts No. are not supplied.
Les articles non mentionnés dans le Parts No. ne sont pas fournis.
Teile ohne Parts No. werden nicht geliefert.

Table with columns: Ref. No., Add-ress, New Parts, Parts No., Description, Desti-nation, Re-marks. Includes parts like C51, C52, C53, C54, C55, etc.

L: Scandinavia
Y: PX(Far East, Hawaii)
Y: AAFES(Europe)
I: Malaysia
K: USA
T: England
X: Australia
R: Mexico
P: Canada
E: Europe
M: Other Areas
G: Germany
2: RX-29
3: RX-39
4: RX-49
5: RX-59
A indicates safety critical components.

PARTS LIST

NO. 14

* New Parts
Parts without Parts No. are not supplied.
Les articles non mentionnés dans le Parts No. ne sont pas fournis.
Teile ohne Parts No. werden nicht geliefert.

Table with columns: Ref. No., Add-ress, New Parts, Parts No., Description, Desti-nation, Re-marks. Includes parts like X1, X2, X3, X4, CP1, CP2, etc.

L: Scandinavia
Y: PX(Far East, Hawaii)
Y: AAFES(Europe)
I: Malaysia
K: USA
T: England
X: Australia
R: Mexico
P: Canada
E: Europe
M: Other Areas
G: Germany
2: RX-29
3: RX-39
4: RX-49
5: RX-59
A indicates safety critical components.

NO. 13

* New Parts
Parts without Parts No. are not supplied.
Les articles non mentionnés dans le Parts No. ne sont pas fournis.
Teile ohne Parts No. werden nicht geliefert.

Table with columns: Ref. No., Add-ress, New Parts, Parts No., Description, Desti-nation, Re-marks. Includes parts like C306, C307, C308, C309, C310, etc.

L: Scandinavia
Y: PX(Far East, Hawaii)
Y: AAFES(Europe)
I: Malaysia
K: USA
T: England
X: Australia
R: Mexico
P: Canada
E: Europe
M: Other Areas
G: Germany
2: RX-29
3: RX-39
4: RX-49
5: RX-59
A indicates safety critical components.

PARTS LIST

* New Parts
Parts without Parts No. are not supplied.
Les articles non mentionnés dans le Parts No. ne sont pas fournis.
Teile ohne Parts No. werden nicht geliefert.

NO. 16

Table with columns: Ref. No., Add-ress, New Parts, Parts No., Description, Desti-nation, Re-marks. Contains parts like D130-137, D138, D139, etc.

L: Scandinavia
Y: PX(Far East, Hawaii)
Y: AAFES(Europe)
I: Malaysia
K: USA
P: Canada
T: England
X: Australia
R: Mexico
2: RX-29
3: RX-39
4: RX-49
5: RX-59
A: indicates safety critical components.

* New Parts
Parts without Parts No. are not supplied.
Les articles non mentionnés dans le Parts No. ne sont pas fournis.
Teile ohne Parts No. werden nicht geliefert.

NO. 15

Table with columns: Ref. No., Add-ress, New Parts, Parts No., Description, Desti-nation, Re-marks. Contains parts like R78, R79, R80, etc.

L: Scandinavia
Y: PX(Far East, Hawaii)
Y: AAFES(Europe)
I: Malaysia
K: USA
P: Canada
T: England
X: Australia
R: Mexico
2: RX-29
3: RX-39
4: RX-49
5: RX-59
A: indicates safety critical components.

PARTS LIST

* New Parts
Parts without Parts No. are not supplied.
Les articles non mentionnés dans le Parts No. ne sont pas fournis.
Teile ohne Parts No. werden nicht geliefert.

NO. 18

Table with columns: Ref. No., Add-ress, New Parts, Parts No., Description, Desti-nation, Re-marks. Contains parts like C109, C110, C111, etc.

L: Scandinavia
Y: PX(Far East, Hawaii)
Y: AAFES(Europe)
I: Malaysia
K: USA
P: Canada
T: England
X: Australia
R: Mexico
2: RX-29
3: RX-39
4: RX-49
5: RX-59
A: indicates safety critical components.

* New Parts
Parts without Parts No. are not supplied.
Les articles non mentionnés dans le Parts No. ne sont pas fournis.
Teile ohne Parts No. werden nicht geliefert.

NO. 17

Table with columns: Ref. No., Add-ress, New Parts, Parts No., Description, Desti-nation, Re-marks. Contains parts like Q11, Q12, Q13, etc.

L: Scandinavia
Y: PX(Far East, Hawaii)
Y: AAFES(Europe)
I: Malaysia
K: USA
P: Canada
T: England
X: Australia
R: Mexico
2: RX-29
3: RX-39
4: RX-49
5: RX-59
A: indicates safety critical components.

PARTS LIST

SPECIFICATIONS

NO. 20

Ref. No.	Add-ress	New Parts	Parts No.	Description	Desti-nation	Re-marks
455	3C,3D		G01-3719-08	FWD SP		
456	2D,3F		G01-3723-08	INTER LOCK SP (R)		
457	2C,3D		G01-3729-08	HEAD CHASSIS SP		
458	2D,3E		G01-3721-08	BRAKE SP (R)		
459	1C,2E		G01-3722-08	BRAKE SP (L)		
460	1C,2E		G01-3724-08	CLUTCH ARM SPRING (B)		
461	1D,2E		G01-3725-08	CLUTCH SP		
462	1C,2D		G02-0913-08	CLOCK SPRING		
463	3C		G02-1069-08	AZIMUTH SPR (B)		
464	2C,3D		G02-1071-08	LIFT BKT		
465	3C		G11-2100-08	HEAD WIRE CLAMP		
466	1D,2F		G11-2205-08	TUBE		
467	2D,3E		G16-0791-08	REFLECT SEAL		
469	3C		J21-6184-08	HEAD PLATE ASSY		
470	1E,2F		J19-3652-08	CABLE HOLDER		
471	2C,3D		J21-6135-08	HEAD RETURN PLATE		
472	1D		J21-6307-08	BKT (B) ASSY		
473	2D		J21-6308-08	MECHA BKT		
474	2C,3D		J42-0183-08	REEL BUSH		
475	2D,3E		J69-0086-08	FILAMENT TAPE		
476	3C,3D		J39-0188-08	HEAD BASE		
477	2C,3D		J90-0832-08	SHIFT SPRING GUIDE		
AA			N19-1316-08	POLY WASHER		
AB			N19-1354-08	POLY WASHER		
AC			N19-1288-08	POLY WASHER		
AD			N19-1355-08	NYLON WASHER		
AE			N19-1385-08	POLY WASHER		
AF			N19-1386-08	POLY WASHER		
AG			N19-1387-08	TEFFRON WASHER		
AH			N19-1388-08	POLY WASHER		
AK			N19-1035-08	POLY WASHER		
AL			N19-1396-08	POLY WASHER		
AM			N19-1384-08	POLY WASHER		
S			N09-1497-08	TAP TITE SCREW		
T			N09-2871-08	TAPPING SCREW		
U			N09-2876-08	HEAD SCREW (RVS)		
V			N09-3135-08	BIND TAP TITE SCREW		
W			N09-3195-08	TAP TITE SCREW		
Y			N09-2901-08	BIND TAP TITE SCREW		
Z			N09-3112-08	AZIMUTH SCREW		
480	1E,2F		S74-0033-08	REC SWITCH		
481	1E,2F		S74-0042-08	PLAY SWITCH		
484	1E,2F		T94-0233-08	SOLENOID ASSY		
485	1E,2F		T95-0125-08	PHOTO INTERRUPTER		
MM	2F		T42-0813-08	MOTOR ASSY		
PH	2C		T31-0066-08	PLAYBACK HEAD MK10P-AB215		
RPEH	3C		T31-0020-08	R/P ERASE HEAD YK56R-AA405		

L: Scandinavia
 Y: PX(Far East, Hawaii)
 Y: AAFES(Europe)
 I: Malaysia
 K: USA
 T: England
 X: Australia
 R: Mexico
 P: Canada
 E: Europe
 M: Other Areas
 G: Germany
 2: RX-29
 3: RX-39
 4: RX-49
 5: RX-59
 Δ indicates safety critical components.

NO. 19

Ref. No.	Add-ress	New Parts	Parts No.	Description	Desti-nation	Re-marks
058			2SC3940A(R,S)	TRANSISTOR		
059			2SC1740S(Q,R)	TRANSISTOR		
060			2SC2785(F,E)	TRANSISTOR		
061			2SA992(F,E)	TRANSISTOR		
061			DTC124ES	DIGITAL TRANSISTOR		
063-65			UN4212	TRANSISTOR		
401	2C,3D		2SC3246	TRANSISTOR		
403	1D,3E		A10-3174-08	HEAD CHASSIS		
404	1D,2E		A10-3240-08	CHASSIS OUTSART ASSY		
405	1E		D01-0184-08	FLYWHEEL (LW) ASSY		
406	2F		D01-0185-08	FLYWHEEL (A) ASSY		
407	1C		D10-0186-08	FLYWHEEL (B) ASSY		
408	3F		D10-3468-08	INTER LOCK ARM (L/A DECK)		
409	2D,3F		D10-3469-08	INTER LOCK ARM (R/B DECK)		
410	2D,3F		D10-3470-08	TRIGGER ARM		
411	1C		D10-3471-08	HEAD CHANGE ARM		
412	3E		D10-3476-08	EJECT LEVER (L) (A DECK)		
413	2C,3D		D10-3477-08	EJECT LEVER (R) (B DECK)		
414	1D,2E		D10-3478-08	SELET LEVER		
415	1D,2E		D10-3479-08	SHIFT LEVER		
416	2C,3D		D10-3480-08	C/R LEVER		
420	3C		D13-0981-08	ROTATION GEAR		
421	1C,2D		D13-1616-08	REW GEAR		
422	2C,2D		D13-1617-08	REEL GEAR		
423	1D,2F		D13-1618-08	IDLER GEAR		
424	3C,3D		D13-1621-08	RETURN GEAR		
425	1D,2E		D13-1622-08	CAM GEAR		
426	2D,3E		D14-0367-08	PINCH ARM (R) ASSY		
427	3C,3D		D14-0368-08	PINCH ARM (L) ASSY		
428	1D,2F		D15-0369-08	IDLER PULLEY		
429	2F		D16-0393-08	DRIVE BELT (BW)		
430	1E		D16-0392-08	DRIVE BELT (AW)		
431	1E,2F		D15-0387-08	PULLEY (A)		
432	1C,2D		D18-0391-08	CLUTCH BELT		
433	2C,3D		D19-0270-18	REEL CAP (A)		
434	1C,1E		D19-0287-08	CLUTCH ARM ASSY		
439	1E,1F		E35-0395-08	15P FLAT RIBBON WIRE		
440	3C		E35-1245-08	3P HEAD WIRE ASSY (A DECK)		
441	3C		E35-1243-08	3P HEAD WIRE ASSY (B DECK)		
442	1F		E35-0386-08	MOTOR WIRE		
443	3C		G01-3790-08	EARTH SPRING (B)		
444	2D,3F		G01-3712-08	HEAD CHANGE ARM SP		
445	2C,3D		G01-3709-08	B.T. SPRING		
446	1C,2D		G01-3710-08	SHIFT LEVER SP		
447	2D,3F		G01-3711-08	TRIGGER ARM SP		
448	2E,3D		G01-3720-08	HEAD RETURN PLAY SP		
449	1C,3F		G01-3713-08	EJECT SP		
450	2C,3D		G01-3714-08	C/R LEVER SP		
451	2C,3D		G01-3715-08	SELECT LEVER SP		
452	2C,3D		G01-3716-08	SHIFT SP		
453	3C,3D		G01-3718-08	INTER LOCK SP (L)		
454	3C,3D		G01-3718-08	RETURN SP		

L: Scandinavia
 Y: PX(Far East, Hawaii)
 Y: AAFES(Europe)
 I: Malaysia
 K: USA
 T: England
 X: Australia
 R: Mexico
 P: Canada
 E: Europe
 M: Other Areas
 G: Germany
 2: RX-29
 3: RX-39
 4: RX-49
 5: RX-59
 Δ indicates safety critical components.

Cassette receiver (RX-29) M-29/M-29M

Amplifier section
 Rated power output
66W+66W DIN(1kHz, 0.7%, 8Ω)
75W+75W RMS(1kHz, 5%, 8Ω)
 Signal to noise ratio
 PHONO.....72dB(IHF'66)
 LINE.....83dB(IHF'66)
 Input sensitivity / impedance
 LINE (MD, AUX).....150mV/47kΩ
 MIC.....1.5mV/47kΩ
 PHONO.....2.5mV/47kΩ
 Output level / Impedance
 SUPER WOOFER PRE OUT.....2.0V/1kΩ

FM Tuner section
 Tuning frequency range.....87.5MHz ~ 108MHz
 Usable sensitivity(DIN at 75Ω)
 MONO.....1.2μV/13.2dBf

MW Tuner section
 Tuning frequency range.....531kHz ~ 1,602kHz
 Usable sensitivity.....12μV/(500μV/m)

LW Tuner section (U.K. only)
 Tuning frequency range.....153kHz ~ 279kHz
 Usable sensitivity.....22μV

Cassette receiver (RX-39)

Amplifier section
 Rated power output
80W+80W(1 kHz, 10%, 8Ω)
 Signal to noise ratio
 PHONO.....72dB(IHF'66)
 LINE (VIDEO / MD, AV AUX).....83dB(IHF'66)
 Input sensitivity / Impedance
 LINE (VIDEO / MD, AV AUX).....150mV/47kΩ
 MIC.....1.5mV/47kΩ
 PHONO.....2.5mV/47kΩ
 Output level / Impedance
 SUPER WOOFER PRE OUT.....2.0V/1kΩ

Video section
 Input level / Impedance
 VIDEO (composite).....1Vp-p/75Ω
 Input (VIDEO, AV AUX)
 Output level / Impedance
 VIDEO (composite).....1Vp-p/75Ω
 Output(MONITOR, VIDEO)

FM Tuner section
 Tuning frequency range.....87.5MHz~108MHz
 Usable sensitivity (MONO at 75Ω).....1.2μV/13.2dBf

AM Tuner section
 Tuning frequency range
 9kHz step.....531kHz ~ 1,602kHz
 10kHz step.....530kHz ~ 1,610kHz
 Usable sensitivity12μV/(500μV/m)

Cassette deck section

Track4-track, 2-channel stereo
 Recording systemAC bias system
 (Frequency : 105kHz)
 Heads
 A deck Playback head.....1
 B deck Playback, recording head.....1
 Erasing head.....1
 Motors.....1
 Fast winding timeApprox. 120 seconds
 (C-60 tape)

[General]
 Power consumption.....170W
 AC OUTLET
 UNSWITCHED.....100W MAX.
 Dimensions.....W : 360mm(14-3/16")
 H : 319mm(12-9/16")
 D : 313mm(12-5/16")
 Weight(net)8.5kg(18.7lb)

* New Parts

Parts without **Parts No.** are not supplied.
 Les articles non mentionnés dans le **Parts No.** ne sont pas fournis.
 Teile ohne **Parts No.** werden nicht geliefert.

RX-29/39/49/59

SPECIFICATIONS

Cassette receiver (RX-49) M-49/M-49M

Amplifier section

Rated power output	
STEREO MODE	
.....68W+68W DIN(1kHz, 0.7%, 8Ω)	
.....75W+75W RMS(1kHz, 5%, 8Ω)	
SURROUND MODE	
CENTER.....22W RMS(1kHz, 10%, 8Ω)	
REAR.....6W+6W RMS(1kHz, 10%, 8Ω)	
Signal to noise ratio	
PHONO.....72dB (IHF'66)	
LINE (VIDEO/MD, AV AUX).....83dB (IHF'66)	
Input sensitivity / Impedance	
LINE (VIDEO/ MD, AV AUX).....150mV/47kΩ	
MIC.....1.5mV/47kΩ	
PHONO.....2.5mV/47kΩ	
Output level/Impedance	
SUPER WOOFER PRE OUT.....2.0V/1kΩ	

Video section

Input level / Impedance	
VIDEO (composite).....1Vp-p/75Ω	
Input (VIDEO, AV AUX)	
Output level/Impedance	
VIDEO (composite).....1Vp-p/75Ω	
Output (MONITOR, VIDEO)	

FM Tuner section

Tuning frequency range.....87.5 MHz ~ 108 MHz	
Usable sensitivity (DIN at 75Ω)	
MONO.....1.2 μV/13.2dBf	

MW Tuner section

Tuning frequency range.....531kHz ~ 1,602kHz	
usable sensitivity.....12μV/ (500μV/ m)	

LW Tuner section (U.K. only)

Tuning frequency range.....153kHz ~ 279kHz	
Usable sensitivity.....22μV	

Cassette deck section (M-49/M-49M/M-29/M-29M)

Track.....4-track, 2-channel stereo	
Recording system.....AC bias system	
(frequency : 105kHz)	
Heads	
A deck Playback head.....1	
B deck Playback / recording head.....1	
Erasing head.....1	
Motors.....1	
Fast winding time.....Approx. 120 seconds	
(C-60 tape)	

[General] RX-49 (M-49 / M-49M)

Power consumption.....170W	
Dimensions.....W : 360mm(14-3/16")	
H : 319mm(12-9/16")	
D : 313mm(12-5/16")	
Weight (net).....9.2kg(20.2lb)	

[General] RX-29 (M-29 / M-29M)

Power consumption.....170W	
Dimensions.....W : 360mm(14-3/16")	
H : 319mm(12-9/16")	
D : 313mm(12-5/16")	
Weight (net).....8.4kg(18.5lb)	

Cassette receiver (RX-59)

Amplifier section

Rated power output	
.....80W+80W(1kHz, 10%, 8Ω)	
Signal to noise ratio	
PHONO.....72dB(IHF'66)	
LINE (VIDEO / MD, AV AUX).....83dB(IHF'66)	
Input sensitivity / Impedance	
LINE (VIDEO / MD, AV AUX).....150mV/47kΩ	
MIC.....1.5mV/47kΩ	
PHONO.....2.5mV/47kΩ	
Output level / Impedance	
SUPER WOOFER PRE OUT.....2.0V/1kΩ	

Video section

Input level / Impedance	
VIDEO (composite).....1Vp-p/75Ω	
Input (VIDEO, AV AUX)	
Output level / Impedance	
VIDEO (composite).....1Vp-p/75Ω	
Output(MONITOR, VIDEO)	

FM Tuner section

Tuning frequency range.....87.5MHz~108MHz	
Usable sensitivity (MONO at 75Ω).....1.2μV/13.2dBf	

AM Tuner section

Tuning frequency range	
9kHz step.....531kHz ~ 1,602kHz	
10kHz step.....530kHz ~ 1,610kHz	
Usable sensitivity.....12μV/(500μV/m)	

Cassette deck section

Track.....4-track, 2-channel stereo	
Recording system.....AC bias system	
(Frequency : 105kHz)	
Heads	
A deck Playback head.....1	
B deck Playback, recording head.....1	
Erasing head.....1	
Motors.....1	
Fast winding time.....Approx. 120 seconds	
(C-60 tape)	

[General]

Power consumption.....170W	
AC OUTLET	
UNSWITCHED.....100W MAX.	
Dimensions.....W : 360mm(14-3/16")	
H : 319mm(12-9/16")	
D : 313mm(12-5/16")	
Weight(net).....8.6kg(18.9lb)	

Note:

Component and circuitry are subject to modification to insure best operation under differing local conditions. This manual is based on the U.S.A. (K) standard, and provides information on regional circuit modification through use of alternate schematic diagrams, and information on regional component variations through use of parts list.

KENWOOD CORPORATION

14-6, Dogenzaka 1-chome, Shibuya-ku, Tokyo, 150 Japan

KENWOOD SERVICE CORPORATION

P.O. BOX 22745, 2201 East Dominguez St., Long Beach, CA 90801-5745, U.S.A.

KENWOOD follows a policy of continuous advancements in development. For this reason specifications may be changed without notice.