

Illust. is RXD-351.

* Refer to parts list on page 38.

**Refer to page 2 if you want to know system configuration.

In compliance with Federal Regulations, following are reproductions of labels on, or inside the product relating to laser product safety.

KENWOOD-Crop. certifies this equipment conforms to DHHS Regulations No. 21 DFR 1040. 10, Chapter 1, Subchapter J.

DANGER : Laser radiation when open and interlock defeated. AVOID DIRECT EXPOSURE TO BEAM

RXD-251/301/351/371S/A3

CONTENTS / ACCESSORIES

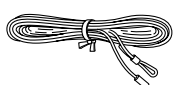
Contents

| | | | |
|--|----|--------------------------|----|
| CONTENTS / ACCESSORIES | 2 | WIRING DIAGRAM | 15 |
| EXTERNAL VIEW | 3 | PARTS DESCRIPTIONS | 16 |
| CONTROLS | 4 | PC BOARD | 17 |
| BLOCK DIAGRAM | 6 | SCHEMATIC DIAGRAM | 23 |
| CIRCUIT DESCRIPTION | 7 | EXPLODED VIEW | 37 |
| CD MECHANISM OPERATION DESCRIPTION | 9 | PARTS LIST | 38 |
| ADJUSTMENT | 11 | SPECIFICATIONS | 47 |

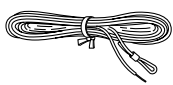
Accessories

FM indoor antenna (1)

| | |
|--|--|
| Europe and U.K. (T90-0836-05) : E1E2E3E4T1T2Q1Q2 | Other countries (T90-0801-05) : K1P1Y1M1M2M3X1X2X3 |
|--|--|

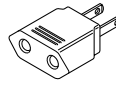


AC plug adaptor (1)
(E03-0115-05)

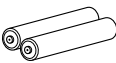


Use to adapt the plug on the power cord to the shape of the wall outlet.
(Accessory only for regions where use is necessary.)

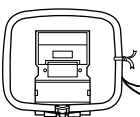
Batteries (R6/AA) (2)



AM loop antenna (1)
(T90-0815-08)



Remote control unit (1)
(A70-1260-08)



System configuration

| SYSTEM | MAIN UNIT | DESTINATION | SPEAKER |
|---------|-----------|-------------|---------|
| XD-301 | RXD-301 | E3T2X3 | LS-N301 |
| XD-301E | RXD-301E | E4 | LS-N301 |
| XD-301W | RXD-301W | Q2 | LS-N301 |
| XD-351 | RXD-351 | E1T1 | LS-N351 |
| XD-351 | RXD-351 | M1X1Y1 | LS-N371 |
| XD-351E | RXD-351E | E2 | LS-N351 |
| XD-351W | RXD-351W | Q1 | LS-N351 |
| XD-A3 | RXD-A3 | K1P1 | LS-N351 |
| XD-371S | RXD-371S | M2 | LS-N371 |
| XD-251 | RXD-251 | M3X2 | LS-N351 |

Cautions

Operation to reset

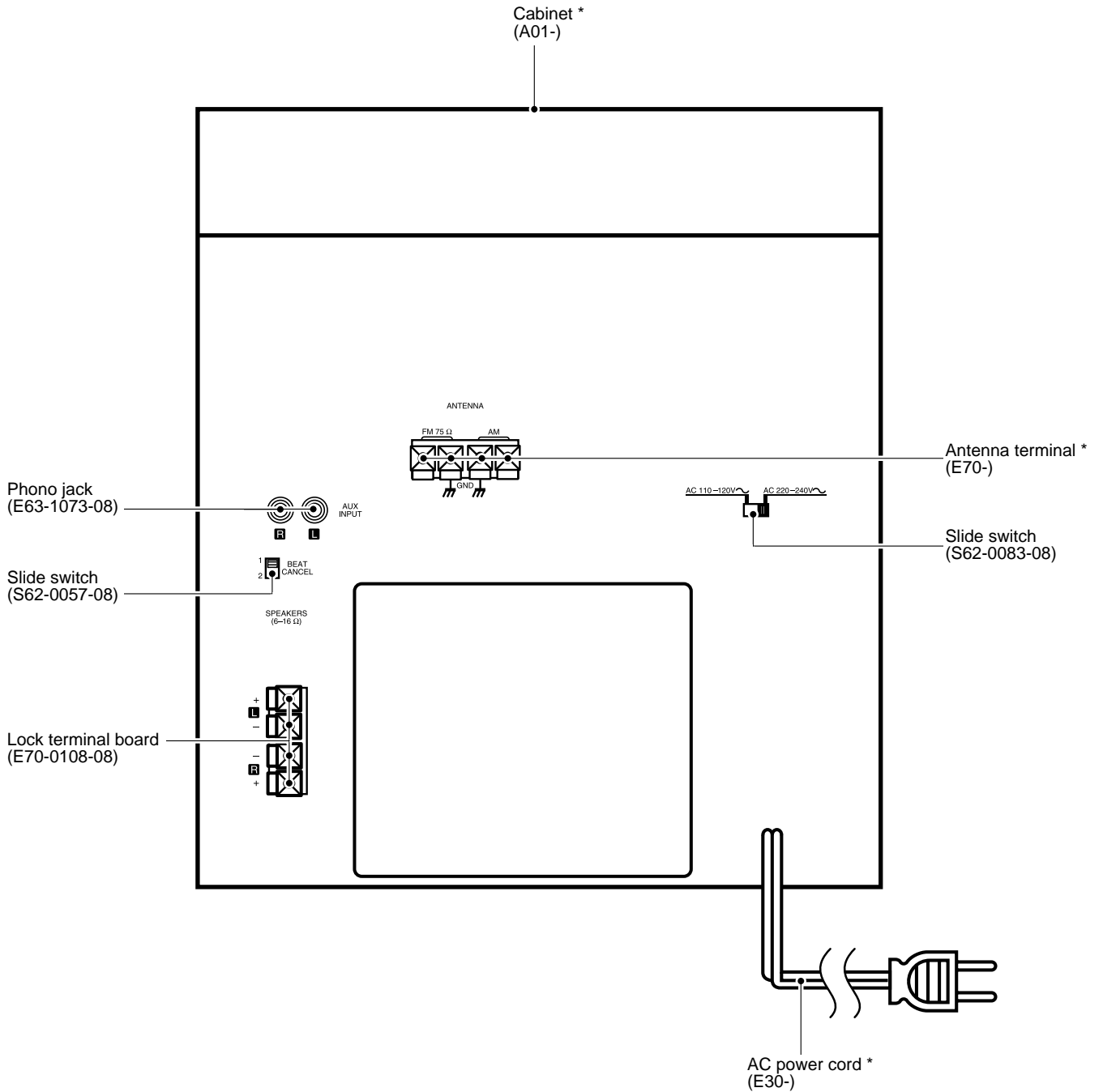
The microcomputer may fall into malfunction (impossibility to operate, erroneous display, etc.) when the power cord is unplugged while power is ON or due to an external factor. In this case, execute the following procedure to reset the microcomputer and return it to normal condition.

Press the "POWER" key while holding the Stop (■) key of the CD section pressed, to switch off the power, and then switch the power on again after a few seconds.

- Please note that resetting the microcomputer clears the contents stored in and returns and to condition when it left the factory.

RXD-251/301/351/371S/A3

EXTERNAL VIEW

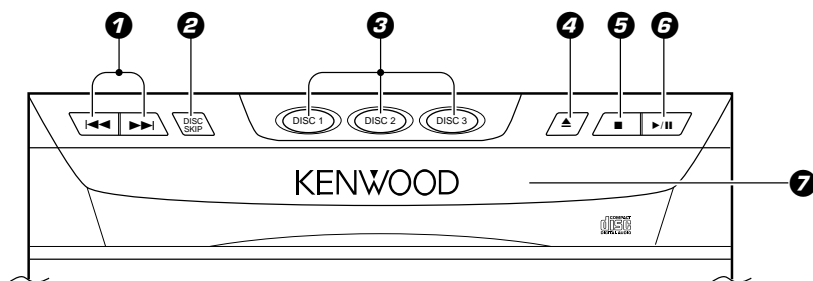


Illust. is RXD-351.

* Refer to parts list on page 38.

CONTROLS

CD unit



1 Skip (◀◀, ▶▶) keys

2 DISC SKIP key

Used to skip discs.

3 Disc selection keys

The disc number is selected directly and playback starts.

4 OPEN/CLOSE (▲) key

The disc tray is opened and closed.

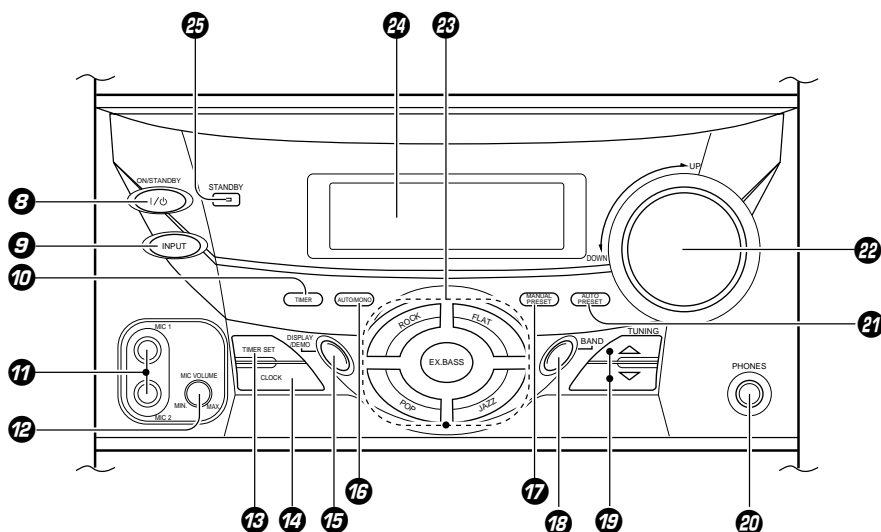
5 Stop (■) key

6 Play/pause (▶/⏸) key

7 Disc tray

Three discs can be stored.

Receiver unit



8 ON/STANDBY (1/0) key

9 INPUT key

Key for input switching.

10 TIMER key

Key for timer START/STOP switching.

11 MIC 1/MIC 2 jack (except for some areas)

12 MIC VOLUME knob (except for some areas)

13 TIMER SET key

Used for setting the timer ON/OFF time.

14 CLOCK key

Used to set the present time.

15 DISPLAY/DEMO key

Switches the display contents.

*Used for demonstration (DEMO) ON/OFF.

16 AUTO/MONO key

Switches the tuning mode.

17 MANUAL PRESET key

Used to memorize broadcasting stations in the desired order.

18 BAND key

Press to switch the receiving band.

19 TUNING/Δ/▽ keys

Used for tuning to broadcasting stations and for time settings.

20 PHONES terminal

For connection of a headphone (optional).

21 AUTO PRESET key

Used for automatic presetting of broadcasting stations.

22 VOLUME CONTROL knob

This is used for volume adjustment.

23 Sound selection keys

Used to select the desired sound type.

FLAT : For listening without changing the sound.

JAZZ : A sound quality curve suitable for jazz.

POP : A sound quality curve suitable for popular music.

ROCK : A sound quality curve suitable for rock-and-roll.

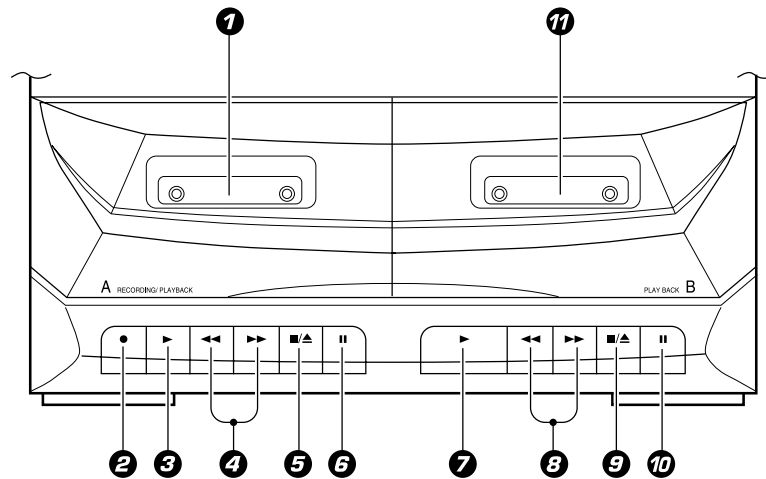
EX.BASS : For listening with abundant bass. (Can be used together with other sound selection keys.)

24 Display

25 STANDBY indicator (Except for some areas)

CONTROLS

Cassette deck unit



A deck

1 Cassette holder

Press the / key to remove and insert the tape.

2 REC (●)key

3 Play (▶) key

4 Fast forward and rewind (◀◀, ▶▶) keys

5 Stop/Eject (■/▲) key

6 Pause (||) key

B deck

7 Play (▶) key

8 Fast forward and rewind (◀◀, ▶▶) keys

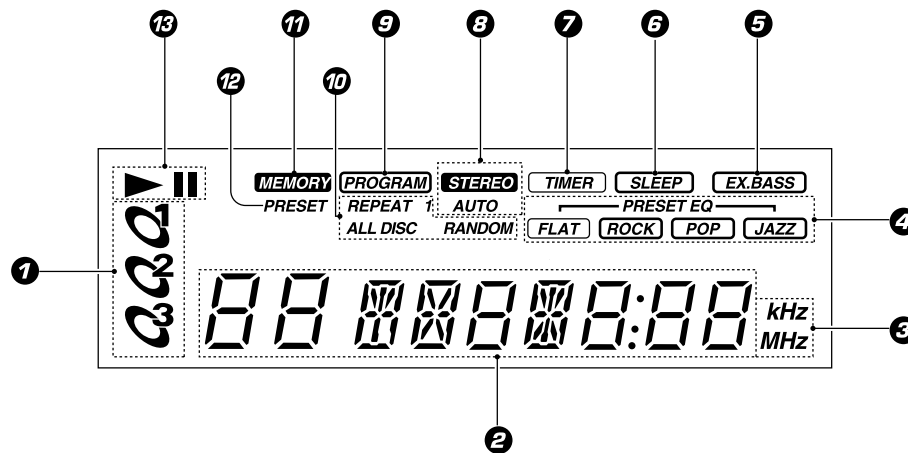
9 Stop/Eject (■/▲) key

10 Pause (||) key

11 Cassette holder

Press the / key to remove and insert the tape.

Display



1 Disc display

When CD is selected, the numbers for which a disc has been set light.

2 Letter and number display

Title number, playback time, present time, etc. are displayed.

3 Reception frequency unit indication (kHz/MHz)

4 Sound selection indication

5 Extra bass (EX.BASS) indication

6 Sleep timer (SLEEP) indication

7 Timer (TIMER) indication

8 STEREO/AUTO indication

Indication of the reception mode for stereo broadcasts

9 PROGRAM indication

Lights at the time of program mode.

10 Repeat/Random mode indication

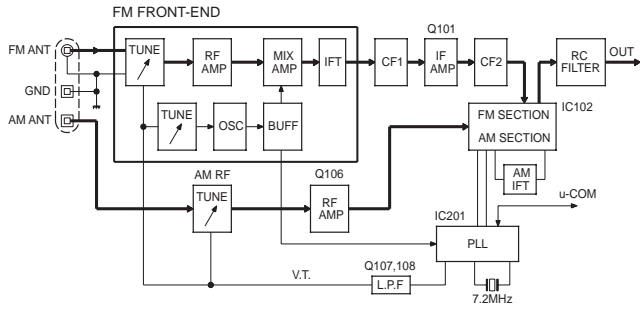
11 MEMORY indication

Shows when a broadcasting station is memorized.

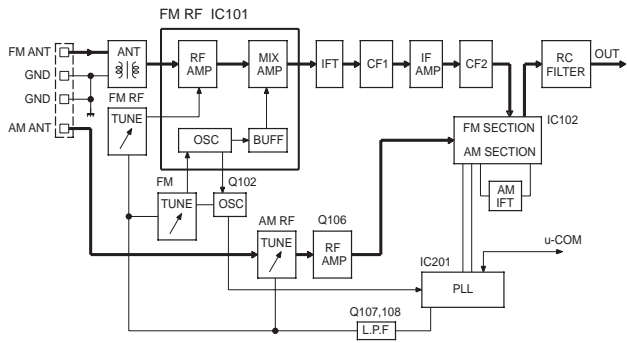
12 PRESET indication

13 Playback (▶), Pause (||) indication

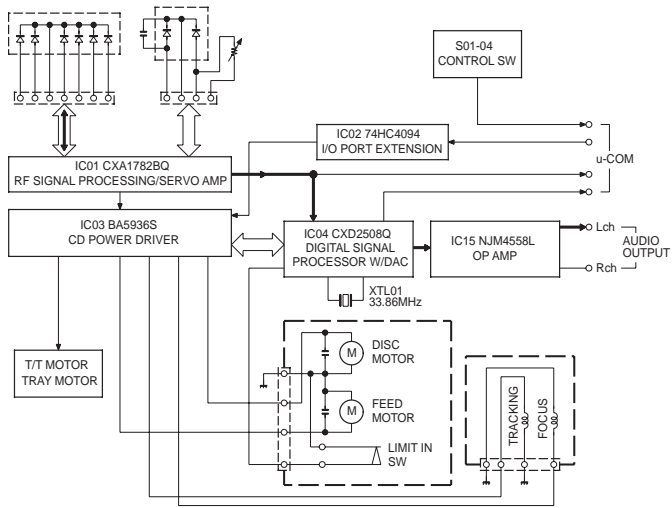
TUNER UNIT



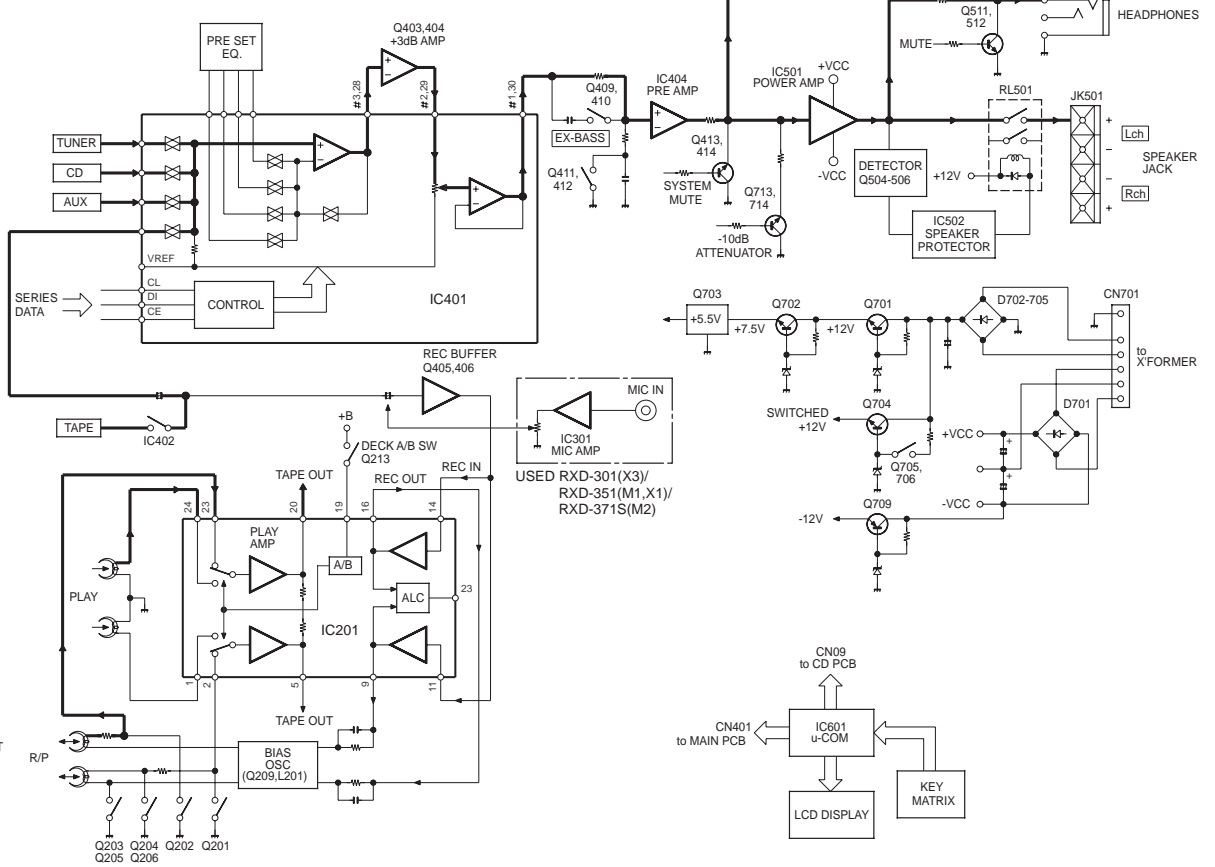
TUNER UNIT



CD MECHA. UNIT



AUDIO UNIT/DISPLAY UNIT



CIRCUIT DESCRIPTION

1. Microprocessor : (IC601, LC867224A-5H71)

1-1 Pin description

| No. | Name | I/O | Description | Active | |
|--------|----------------|-----|--------------------------------------|-----------|--------|
| | | | | H | L |
| 1 | CE | I | LC7218, LC75392 CE out | | |
| 2 | ENABLE | - | No used | | |
| 3 | DI | I | LC7218, LC75392, 74HC4094 data out | | |
| 4 | DO | O | Data output to LC7218 | | |
| 5 | CLK | I | LC 7218, LC75392, 74HC4094 clock out | | |
| 6 | DATA | O | Serial data out to CXD2508Q | | |
| 7 | SQCO | I | Serial output of SUBQ 80BIT | | |
| 8 | SQCK | O | Clock output | | |
| 9 | XLAT | O | Latch output | | |
| 10 | FOK | O | Focus OK output | | |
| 11 | GND | - | GND | | |
| 12 | RESET | I | Reset signal input | | |
| 13 | POWER - DOWN | I | Power down input | | |
| 14 | SENS | I | CXD2508Q sens | | |
| 15 | VSS | - | Vss | | |
| 16 | X1 | - | Xtal 6.0MHz | | |
| 17 | X2 | - | Xtal 6.0MHz | | |
| 18 | VDD1 | - | Vdd | | |
| 19~22 | K1~K4 | I | Key input (K1~K4) | | |
| 23, 24 | GND | - | GND | | |
| 25 | MODE - SW2 | I | Model discrimination (RXD-371S only) | | |
| 26 | MODE - SW1 | I | Model discrimination | | |
| 27 | SCOR | I | CXD2508Q Sub - code synch detect | | |
| 28 | COUNT | O | Track number count signal output | | |
| 29 | REMOTE IN | I | Remote signal input | | |
| 30 | VR + | I | VR encoder input A | | |
| 31 | VR - | I | VR encoder input B | | |
| 32 | PIC - UP | I | Pick - up SW | | |
| 33 | PIC - DOWN | I | Pick - down SW | | |
| 34 | DISC - COUNT | I | Disc counter SW | | |
| 35 | TURNTABLE - SW | I | Turntable SW | | |
| 36 | TRAY - OPEN | I | Tray open SW | | |
| 37 | TRAY - CLOSE | I | Tray close SW | | |
| 38 | N/C | - | No used | | |
| 39 | VR - 1 | O | VR step extend out | 0, 1 step | others |
| 40~51 | N/C | - | No used | | |
| 52~55 | S1 - S4 | O | Segment out (1~4) | | |
| 56 | VDD2 | - | Vdd | | |
| 57 | VSS2 | - | Vss | | |
| 58~79 | S5~S26 | O | Segment out (5~26) | | |
| 80~82 | BIAS 3~1 | - | GND | | |
| 83~86 | COM - 0~3 | O | FL Common 0~3 | | |
| 87 | FM - STEREO | I | FM stereo signal input | Mono | Stereo |
| 88 | SYN REC | I | Synchro start input | | |
| 89 | VSS3 | - | Vss | | |

CIRCUIT DESCRIPTION

| No. | Name | I/O | Description | Active | |
|-----|--------------------|-----|------------------------|--------|--------|
| | | | | H | L |
| 90 | VDD3 | – | Vdd | | |
| 91 | POWER - SW | O | Power SW out | On | Off |
| 92 | SYS - MUT | O | System mute out | Off | On |
| 93 | TU - MUT | O | Tuner mute out | On | Off |
| 94 | MODE - SW - IN | I | No used | | |
| 95 | FUNCTION - TAPE | O | Function tape out | Tape | Others |
| 96 | LCD - BACK - LIGHT | O | LCD back light control | On | Off |
| 97 | N/C | – | No used | | |
| 98 | EX - BASS | O | EX - bass control | On | Off |
| 99 | LATCH | – | No used | | |
| 100 | STB | O | 74HC4094 strobe | | |

2. Key matrix

| PORT | SW 1 | SW 2 | SW 3 | SW 4 | SW 5 | SW 6 | SW 7 | SW 8 | SW 9 | SW 10 |
|----------------|--------------|------------------|--------------|---------------|----------------|------------------|---------|--------|---------------|-------|
| Pin 19 (K1) | Power | Input | Clock Set | Timer Mode | Timer Set | Display | EQ Off | Rock | Jazz | Pop |
| Pin 20 (K2) | Tuning Up | Tuning Down | Band | Auto/ Mono | Auto Preset | Manual Preset | EX Bass | – | – | – |
| Pin 21 (K3) | CD AMS + | AMS - | – | – | Disc Skip | Disc 1 | Disc 2 | Disc 3 | Open Close | – |
| Pin 22 (K4) | CD Stop | CD Play Pause | FF | – | – | – | – | – | – | – |

3. I/O port extension (CD mecha. unit)

IC02 (74HC4094)

| PIN | NAME | I/O | DESCRIPTION | ACTIVE |
|-----|---------|-----|---------------------------------|----------------------|
| 4 | MUTE | O | CXD2508Q Muting (DAC) | H : ON L : OFF |
| 5 | CONTROL | O | CXA1782BQ, CXD2508Q Vdd control | H : Others L : CD |
| 6 | XRST | O | CXD2508Q XRST | |
| 7 | T • T + | O | T • T/U • D Motor (+) | |
| 11 | CONTROL | O | T • T Motor speed Control | |
| 12 | TRAY - | O | Tray Motor Control (-) | |
| 13 | TRAY + | O | Tray Motor Control (+) | |
| 14 | T • T - | O | T • T/U • D Motor (-) | |

4. All LCD light on mode

- The all LCD light up when the STOP key and TIMER SET key are pressed simultaneously, while the power is ON.
- When the ON/STANDBY key is pressed, the all LCD light on mode is canceled.

CD MECHANISM OPERATION DESCRIPTION

1. In case of disc 3 (Refer to figure 1 and 2)

- ① The rotary motor turns counterclockwise by pressing disc 3 key, therefore the turntable turns clockwise and disc 3 is detected by disc number detector switch.
- ② The turntable stops the position of ► marked as figure 2 and stop position of disc 3 is detected by sensor switch. At this time, the position of TR lock gear is as shown figure 1.
- ③ The rotary motor turns clockwise and the relay gear B also turns clockwise. By turning the relay gear B, the arm of relay gear B moves to arrow direction (◀ ■ ■ ■) and the TR lock gear will be locked. After that, the change gear separates from TR lock gear.
- ④ The UD reduce gear turns clockwise by turning the change gear.
- ⑤ The traverse moves up-side.
- ⑥ After finished the traverse operation, the disc motor turns and the disc 3 will be played.

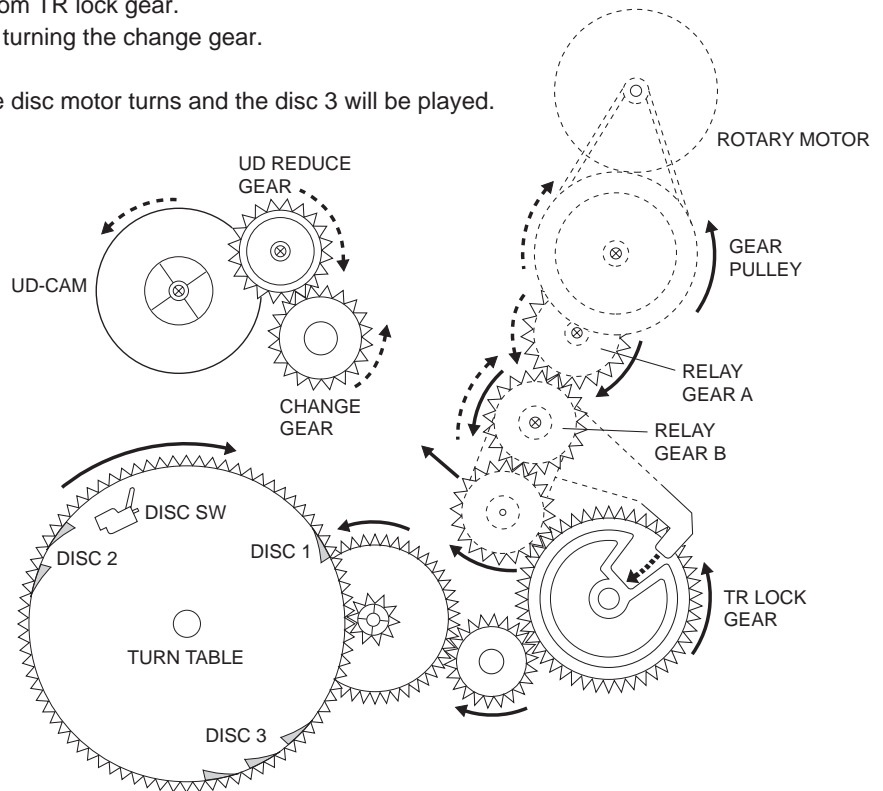


Fig.1

2. Open/Close operation of tray while playing the disc.

(Refer to figure 3)

- ① The tray motor turns clockwise by pressing open/close key while playing the disc.
- ② The change base moves to frontward by turning the TR gear.
- ③ Pushing switch C by change base, the tray motor stops.

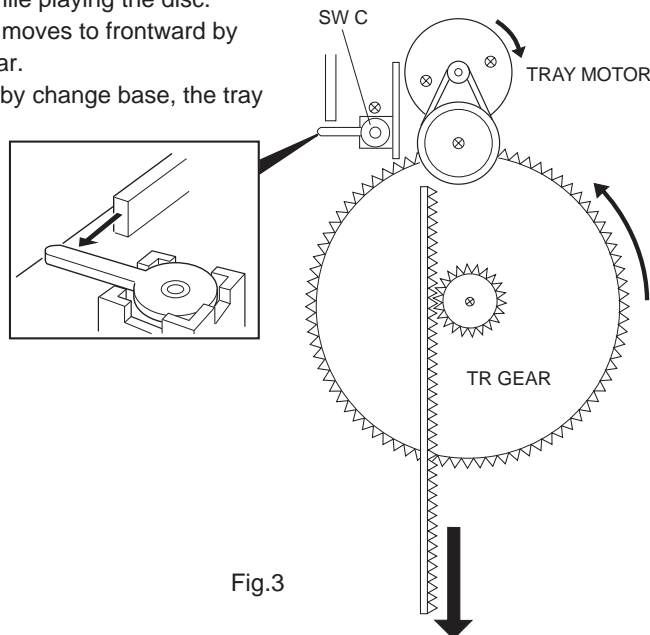


Fig.3

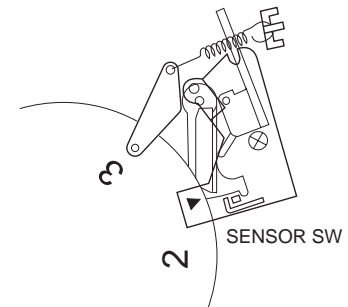


Fig.2
(STOP POSITION OF DISC 3)

RXD-251/301/351/371S/A3

CD MECHANISM OPERATION DESCRIPTION

※ How to replace the pick up. (Refer to figure 4~7)

1. Remove the screws (① x 4), top chassis and spring (② x 2).
2. Detach the traverse unit by removing shield (bottom side) and screws (③ x 2).
3. Short the short land and remove screws (④ x 4, ⑤ x 1).
4. Remove the rod and replace the pick up.

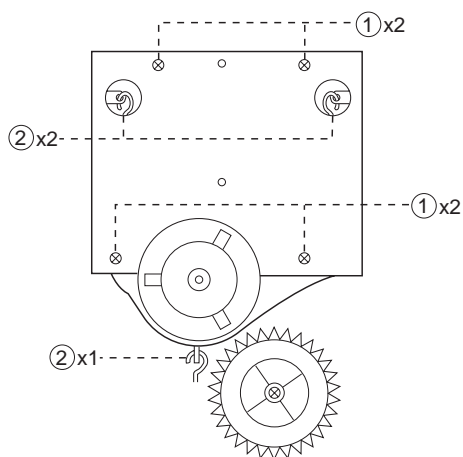


Fig.4

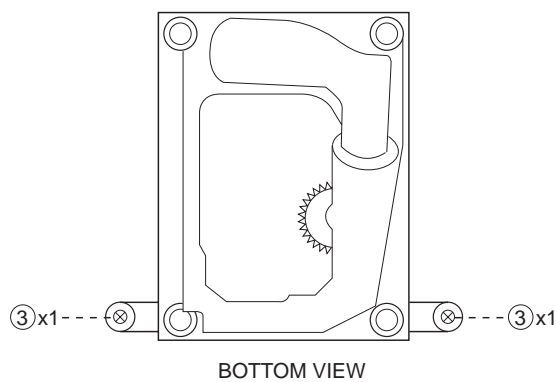


Fig.5

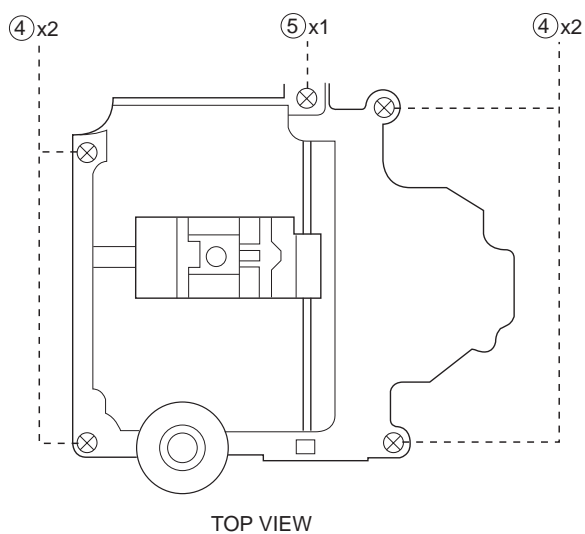


Fig.6

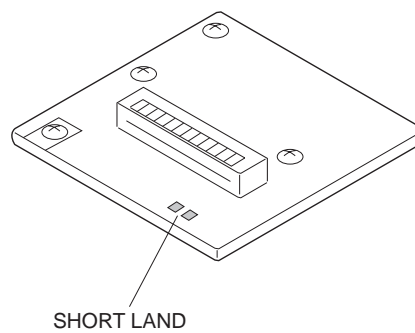


Fig.7

ADJUSTMENT

FM SECTION (Except for Europe version)

* Europe version no Adjustment

| NO. | ITEM | INPUT SETTING | OUTPUT SETTING | TUNER SETTING | ALIGNMENT POINTS | ALIGN FOR | FIG. |
|-----|-----------------|---|--------------------------------------|---------------|------------------|--|------|
| 1. | IF | (A) 98 MHz, 1 kHz MOD ±75 kHz (DEV) 60 dBu (ANT INPUT) | (B) | 98MHz | T101 | Maximum output (Minimum distortion) | |
| 2. | LOWEND TRACKING | (A) 87MHz, 1 kHz MOD ±75 kHz (DEV) 35 dBu (ANT INPUT) | (B) | 87MHz | L102 | Maximum output | |
| 3. | HIEND TRACKING | (A) 108MHz, 1 kHz MOD ±75 kHz (DEV) 35 dBu (ANT INPUT) | (B) | 108MHz | TC101 | Maximum output | |
| 4. | VT | - | Connect the DC voltage meter to TP2. | 87.5 MHz | L103 | VT=1.0V±0.05V | |
| | | | | 108 MHz | - | Check the VT=7.0V±1.0V | |

MW SECTION

| NO. | ITEM | INPUT SETTING | OUTPUT SETTING | TUNER SETTING | ALIGNMENT POINTS | ALIGN FOR | FIG. |
|-----|------------------|---|--------------------------------------|----------------------------|------------------|--|------|
| 1. | IF | (A) 531 kHz or 530 kHz 1 kHz, 30% MOD 60 dBu (ANT INPUT) | (B) | 531 kHz or 530 kHz | T102 | Maximum output (Minimum distortion) | |
| 2. | LOWEND TRACKING | (A) 531 kHz or 530 kHz 1 kHz, 30% MOD 30 dBu (ANT INPUT) | (B) | 531 kHz or 530 kHz | L104 | Maximum output | |
| 3. | HIGHEND TRACKING | (A) 1602 kHz or 1610 kHz 1 kHz, 30% MOD 30 dBu (ANT INPUT) | (B) | 1602 kHz or 1610 kHz | TC102 | Maximum output | |
| 4. | VT | - | Connect the DC voltage meter to TP2. | 531 kHz | L105 | VT=1.2V±0.05V | |
| | | | | 1602 kHz | - | Check the VT=7.3V±1.0V | |

SW SECTION

| NO. | ITEM | INPUT SETTING | OUTPUT SETTING | TUNER SETTING | ALIGNMENT POINTS | ALIGN FOR | FIG. |
|-----|------------------|---|--------------------------------------|---------------|------------------|--|------|
| 1. | IF | 5.95 MHz 1 kHz, 30% MOD 60 dBu (ANT INPUT) (D) | (B) | 5.95 MHz | T102 | Maximum output (Minimum distortion) | |
| 2. | LOWEND TRACKING | 5.95 MHz 1 kHz, 30% MOD 30 dBu (ANT INPUT) (D) | (B) | 5.95 MHz | L201 | Maximum output | |
| 3. | HIGHEND TRACKING | 17.9 MHz 1 kHz, 30% MOD 30 dBu (ANT INPUT) (D) | (B) | 17.9 MHz | TC201 | Maximum output | |
| 4. | VT | - | Connect the DC voltage meter to TP2. | 5.95 MHz | L202 | VT=1.0V±0.05V | |
| | | | | 17.9 MHz | - | Check the VT=8.4V±1V | |

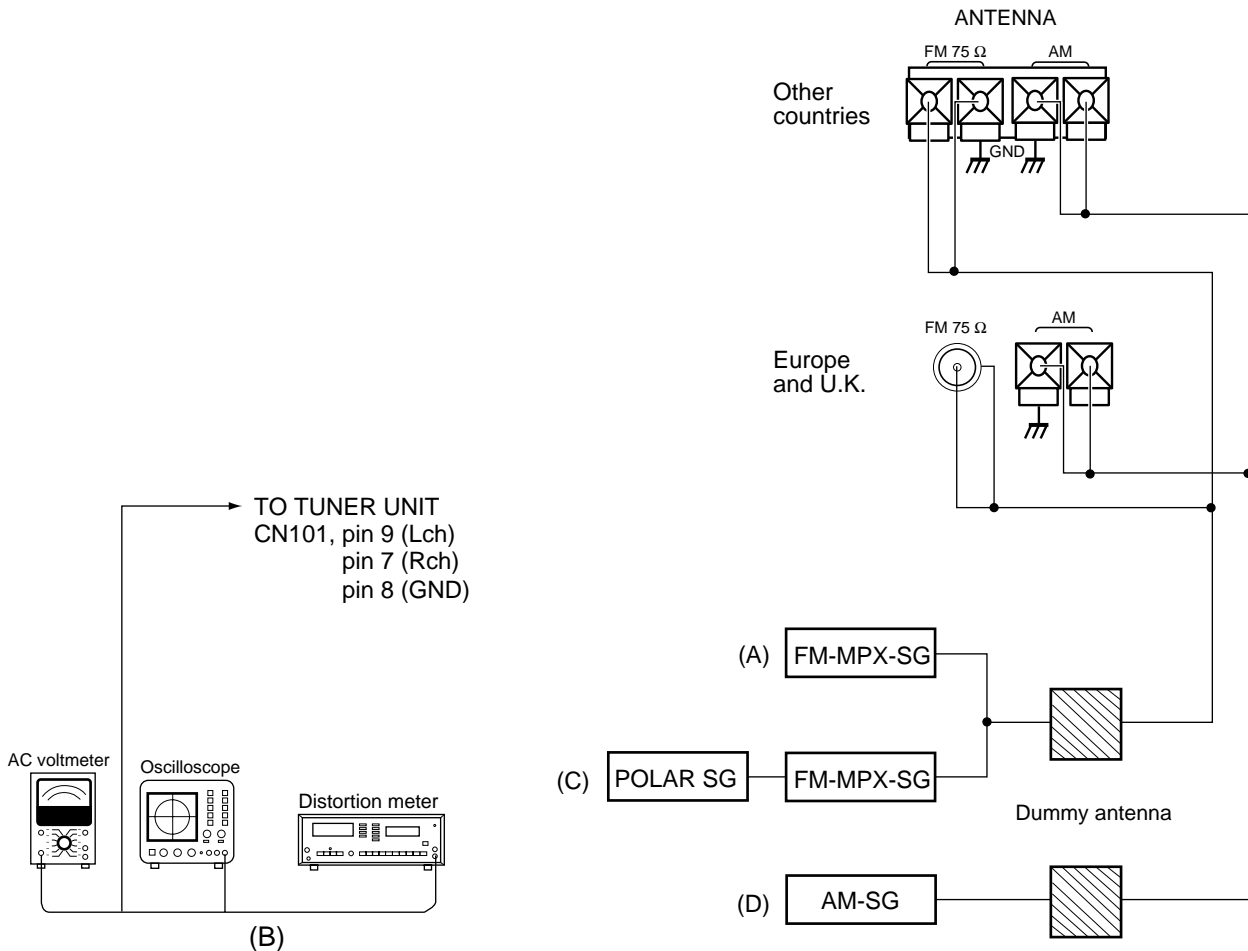
RXD-251/301/351/371S/A3

ADJUSTMENT

LW SECTION

| NO. | ITEM | INPUT SETTING | OUTPUT SETTING | TUNER SETTING | ALIGNMENT POINTS | ALIGN FOR | FIG. |
|-----|-------------------|--|--------------------------------------|---------------|------------------|--|------|
| 1. | IF | 153 kHz 1 kHz, 30% MOD 60 dBu (ANT INPUT) (D) | (B) | 153 kHz | T102 | Maximum output (Minimum distortion) | |
| 2. | LOW END TRACKING | 153 kHz 1 kHz, 30% MOD 30 dBu (ANT INPUT) (D) | (B) | 153 kHz | L201 | Maximum output | |
| 3. | HIGH END TRACKING | 279 kHz 1 kHz, 30% MOD 30 dBu (ANT INPUT) (D) | (B) | 279 kHz | TC201 | Maximum output | |
| 4. | VT | - | Connect the DC voltage meter to TP2. | 153 kHz | L202 | VT=1.0V±0.05V | |
| | | | | 279 kHz | - | Check the VT=5.0V±1.0V | |

INSTRUMENTS CONNECTION

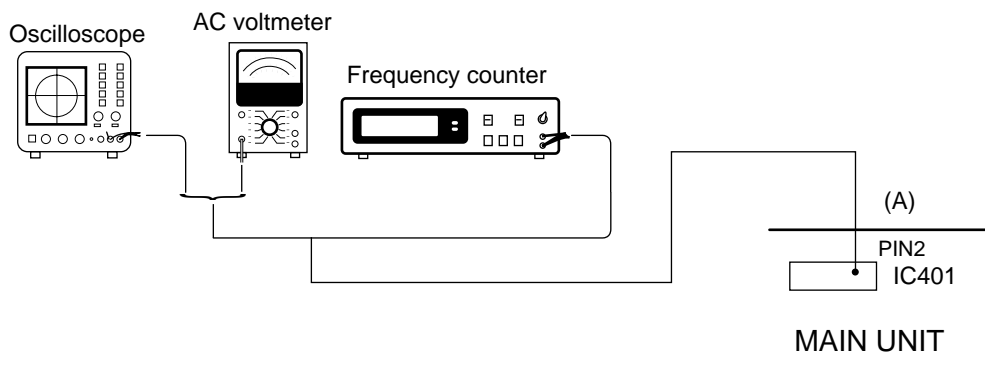


ADJUSTMENT

CASSETTE DECK SECTION

| NO. | ITEM | INPUT SETTINGS | OUTPUT SETTINGS | CASSETTE TAPE DECK SETTINGS | ALIGNMENT POINT | ALGN FOR | FIG . |
|--|------------------------------|---|-----------------|---|--|---|---------------|
| Unless otherwise specified : each ; switch should be set as follows : BEAT SW : OFF I. Cassette mechanism section (REC/PB head adjustment) | | | | | | | 0dBs = 0.775V |
| [1] | Demagnetization and cleaning | - | - | Power OFF, demagnetization, cleaning play | REC/PB head, erase head, capstan, pinch roller | Demagnetize the REC/PB head by head eraser. Clean the REC/PB head, erase head capstan and pinch roller with a cotton swab immersed in alcohol. | |
| [2] | REC/PB head azimuth | MTT-114, TCC-153 SCC-1727 10 kHz, -10dB | (A) | PLAY | Azimuth adjustment screw | In a setting wher the output is maximized, adjust the azimuth adjustment screw so that the Lissajous figure appearing on the oscilloscope screen comes near to a line slanted45° Note : The head should be installed in such a manner that it approaches the tape face. | |
| II. PC board adjustment | | | | | | | |
| < 1 > | Tape speed | MTT-111 TCC-100 SCC-1727 3 kHz, -4 dB | (A) | PLAY | SFR201 | Adjust so that Frequency is 3 kHz at the center of the tape. | |
| < 2 > | Playback level | TCC-120 315 Hz 0dB | (A) | PLAY | | Approx. -5dBm ※ reference level | |
| < 3 > | Recording level | Put standard test tape (TCC-120) into B deck. Put standard blank tape into A deck. | (A) | Dubbing and playback. | | Approx. -5dBm ※ reference level | |

INSTRUMENTS CONNECTION



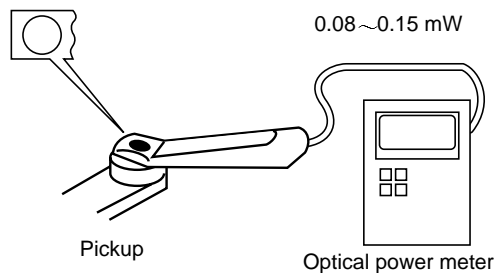
ADJUSTMENT

CD SECTION

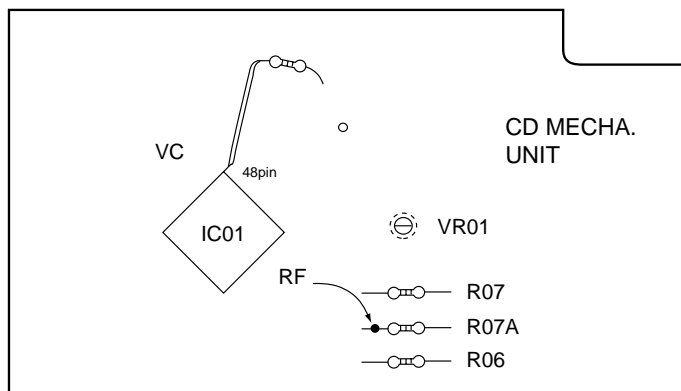
| No. | ITEM | INPUT SETTINGS | OUTPUT SETTINGS | PLAYER SETTINGS | ALIGNMENT POINTS | ALIGN FOR | FIG. |
|-----|------------------|------------------|---|---------------------------|------------------|---|------|
| 1 | LASER POWER | — | Apply the sensor section of optical power meter on the pickup lens. | Press the PLAY/PAUSE key. | — | On the power from 0.08 to 0.15 mW, when the diffraction grating is correctly aligned with the RF level of 0.6 Vp-p or more. | (a) |
| 2 | FOCUS ERROR BIAS | Test disc Type 4 | Connect an oscilloscope as follows. CH1 : RF (R07A) GND : VC (IC01, 48 pin) | Press the PLAY/PAUSE key. | FE BIAS VR01 | Optimum eye pattern | |

Note:
Type 4 disc : SONY YEDS-18 Test Disc or equivalent.(KTD-0*)

(a) Laser power



ALIGNMENT POINT



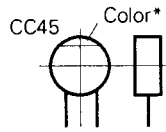
RXD-251/301/351/371S/A3

PARTS DESCRIPTIONS

CAPACITORS

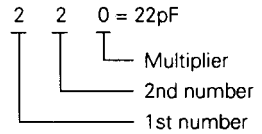
CC 45 TH 1H 220 J
1 2 3 4 5 6

- 1 = Type ... ceramic, electrolytic, etc.
- 2 = Shape ... round, square, ect.
- 3 = Temp. coefficient
- 4 = Voltage rating
- 5 = Value
- 6 = Tolerance



Capacitor value

- 010 = 1pF
- 100 = 10pF
- 101 = 100pF
- 102 = 1000pF = 0.001μF
- 103 = 0.01μF



Temperature coefficient

| 1st Word | C | L | P | R | S | T | U |
|----------|-------|-----|--------|--------|-------|------|--------|
| Color* | Black | Red | Orange | Yellow | Green | Blue | Violet |
| ppm/°C | 0 | -80 | -150 | -220 | -330 | -470 | -750 |

| 2nd Word | G | H | J | K | L |
|----------|-----|-----|------|------|------|
| ppm/°C | ±30 | ±60 | ±120 | ±250 | ±500 |

Example : CC45TH = -470 ± 60ppm/°C

Tolerance (More than 10pF)

| Code | C | D | G | J | K | M | X | Z | P | No code |
|------|-------|------|----|----|-----|-----|-----|-----|------|---------------------------|
| (%) | ±0.25 | ±0.5 | ±2 | ±5 | ±10 | ±20 | +40 | +80 | +100 | More than 10μF -10 ~ +50 |
| | | | | | | | -20 | -20 | -0 | Less than 4.7μF -10 ~ +75 |

(Less than 10pF)

| Code | B | C | D | F | G |
|------|------|-------|------|----|----|
| (pF) | ±0.1 | ±0.25 | ±0.5 | ±1 | ±2 |

Voltage rating

| 2nd word | A | B | C | D | E | F | G | H | J | K | V |
|----------|------|------|------|------|------|------|------|------|------|------|----|
| 1st word | | | | | | | | | | | |
| 0 | 1.0 | 1.25 | 1.6 | 2.0 | 2.5 | 3.15 | 4.0 | 5.0 | 6.3 | 8.0 | - |
| 1 | 10 | 12.5 | 16 | 20 | 25 | 31.5 | 40 | 50 | 63 | 80 | 35 |
| 2 | 100 | 125 | 160 | 200 | 250 | 315 | 400 | 500 | 630 | 800 | - |
| 3 | 1000 | 1250 | 1600 | 2000 | 2500 | 3150 | 4000 | 5000 | 6300 | 8000 | - |

Chip capacitors

(EX) C C 7 3 F S L 1 H 0 0 0 J
1 2 3 4 5 6 7

(Chip) (CH, RH, UJ, SL)

(EX) C K 7 3 F F 1 H 0 0 0 Z
1 2 3 4 5 6 7

(Chip) (B, F)

Refer to the table above.

- 1 = Type
- 2 = Shape
- 3 = Dimension
- 4 = Temp. coefficient
- 5 = Voltage rating
- 6 = Value
- 7 = Tolerance

Dimension (Chip capacitors)

| Dimension code | L | W | T |
|----------------|-----------|------------|----------------|
| Empty | 5.6 ± 0.5 | 5.0 ± 0.5 | Less than 2.0 |
| A | 4.5 ± 0.5 | 3.2 ± 0.4 | Less than 2.0 |
| B | 4.5 ± 0.5 | 2.0 ± 0.3 | Less than 2.0 |
| C | 4.5 ± 0.5 | 1.25 ± 0.2 | Less than 1.25 |
| D | 3.2 ± 0.4 | 2.5 ± 0.3 | Less than 1.5 |
| E | 3.2 ± 0.2 | 1.6 ± 0.2 | Less than 1.25 |
| F | 2.0 ± 0.3 | 1.25 ± 0.2 | Less than 1.25 |
| G | 1.6 ± 0.2 | 0.8 ± 0.2 | Less than 1.0 |

RESISTORS

Chip resistor (Carbon)

(EX) R K 7 3 E B 2 B 0 0 0 J
1 2 3 4 5 6 7

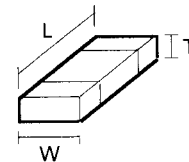
(Chip) (B,F)

Carbon resistor (Normal type)

(EX) R D 1 4 B B 2 C 0 0 0 J
1 2 3 4 5 6 7

- 1 = Type
- 2 = Shape
- 3 = Dimension
- 4 = Temp. coefficient
- 5 = Rating wattage
- 6 = Value
- 7 = Tolerance

Dimension



Dimension (Chip resistor)

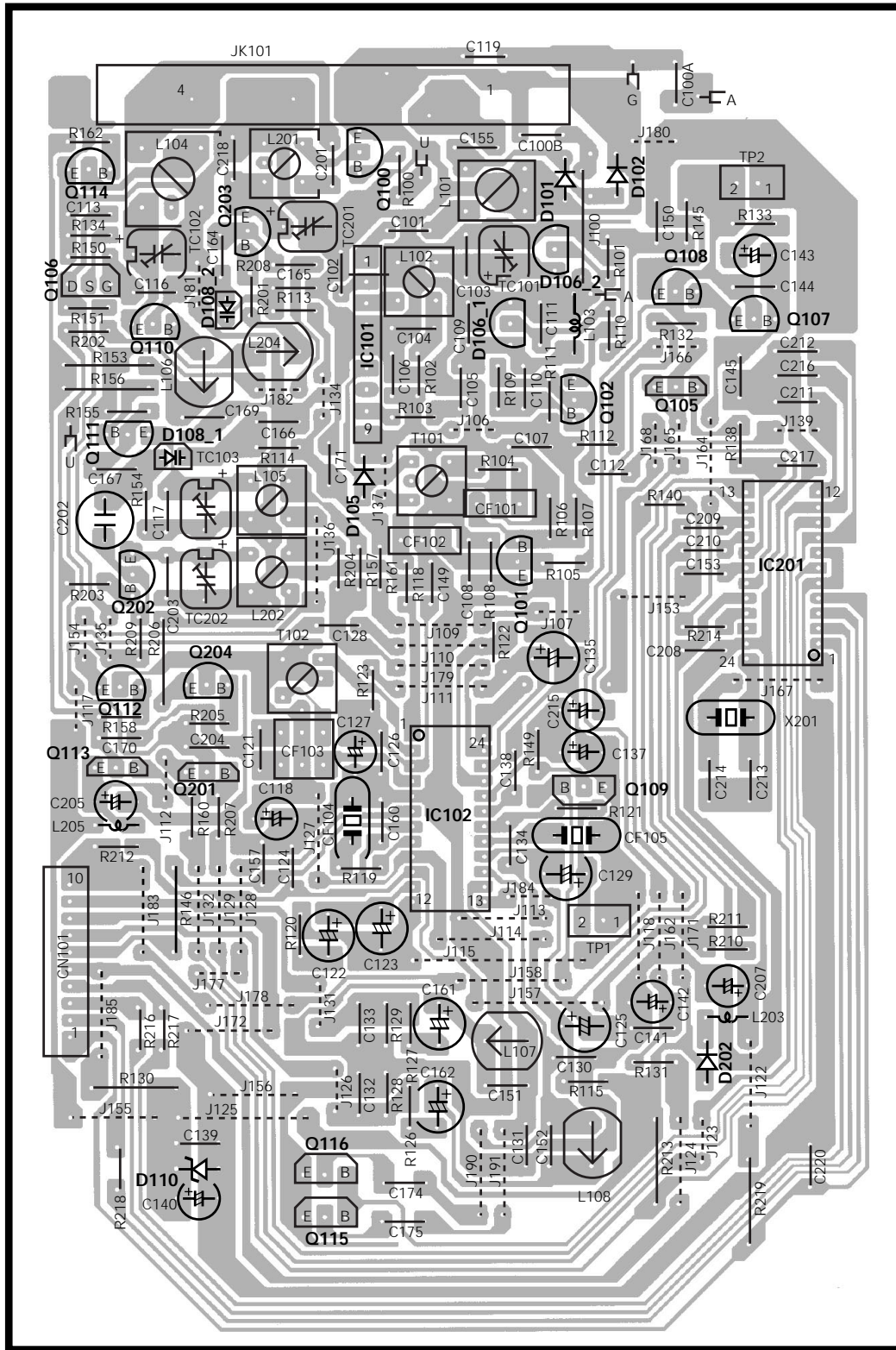
| Dimension code | L | W | T |
|----------------|-----------|------------|-----------|
| E | 3.2 ± 0.2 | 1.6 ± 0.2 | 1.0 |
| F | 2.0 ± 0.3 | 1.25 ± 0.2 | 1.0 |
| G | 1.6 ± 0.2 | 0.8 ± 0.2 | 0.5 ± 0.1 |

Rating wattage

| Code | Wattage | Code | Wattage | Code | Wattage |
|------|---------|------|---------|------|---------|
| 1J | 1/16W | 2C | 1/6W | 3A | 1W |
| 2A | 1/10W | 2E | 1/4W | 3D | 2W |
| 2B | 1/8W | 2H | 1/2W | | |

PC BOARD (Component side view)

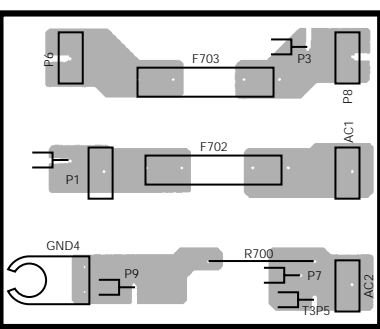
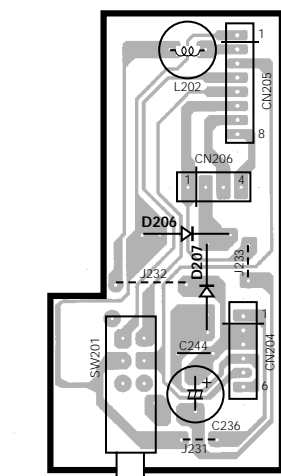
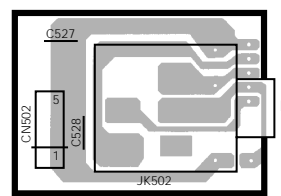
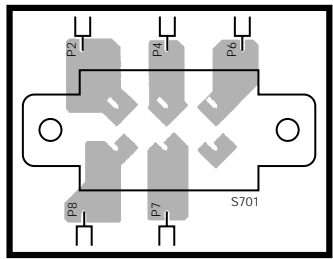
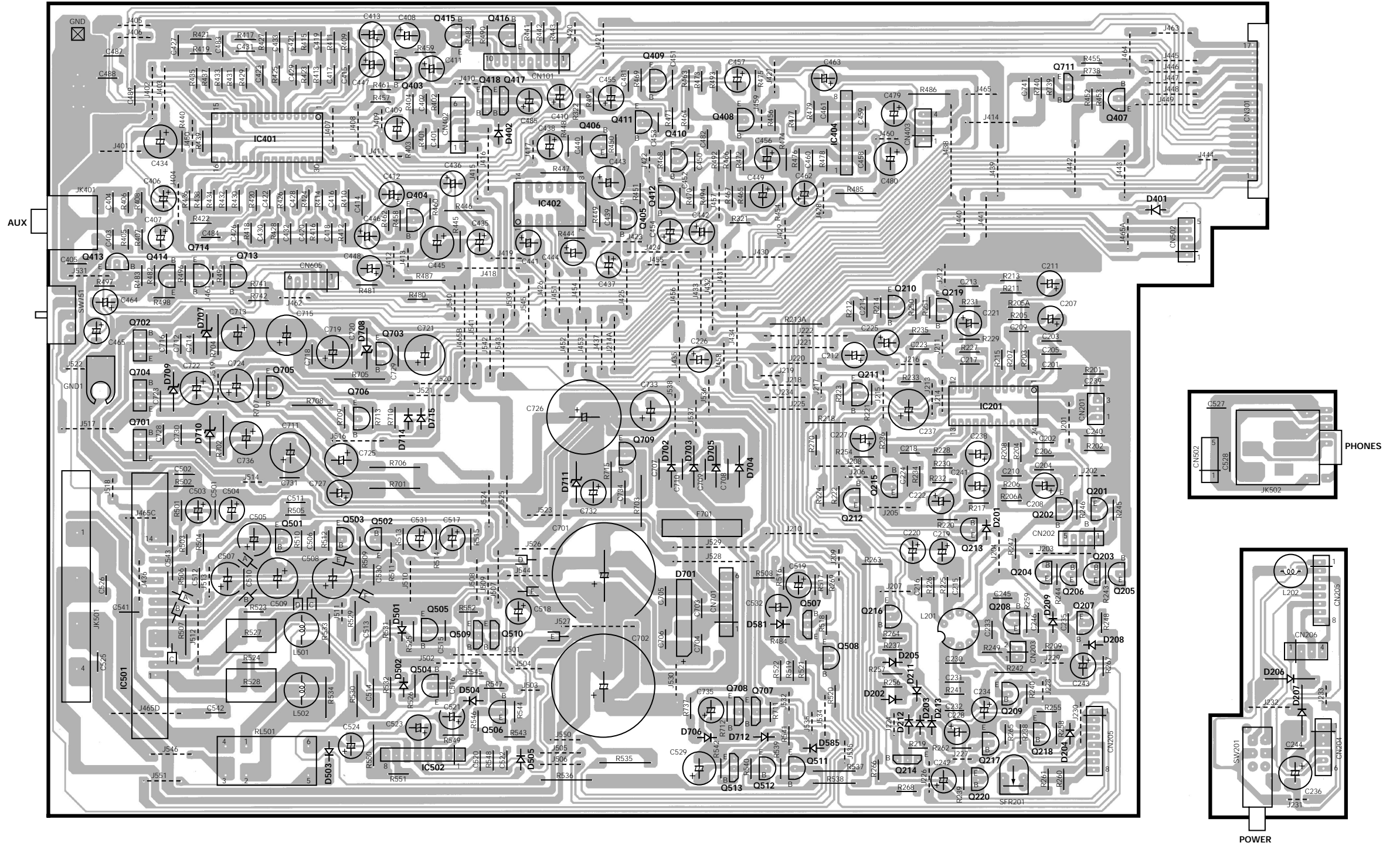
TUNER UNIT : RXD-371S (M2)



Refer to the schematic diagram for the value of resistors and capacitors.

PC BOARD (Component side view)

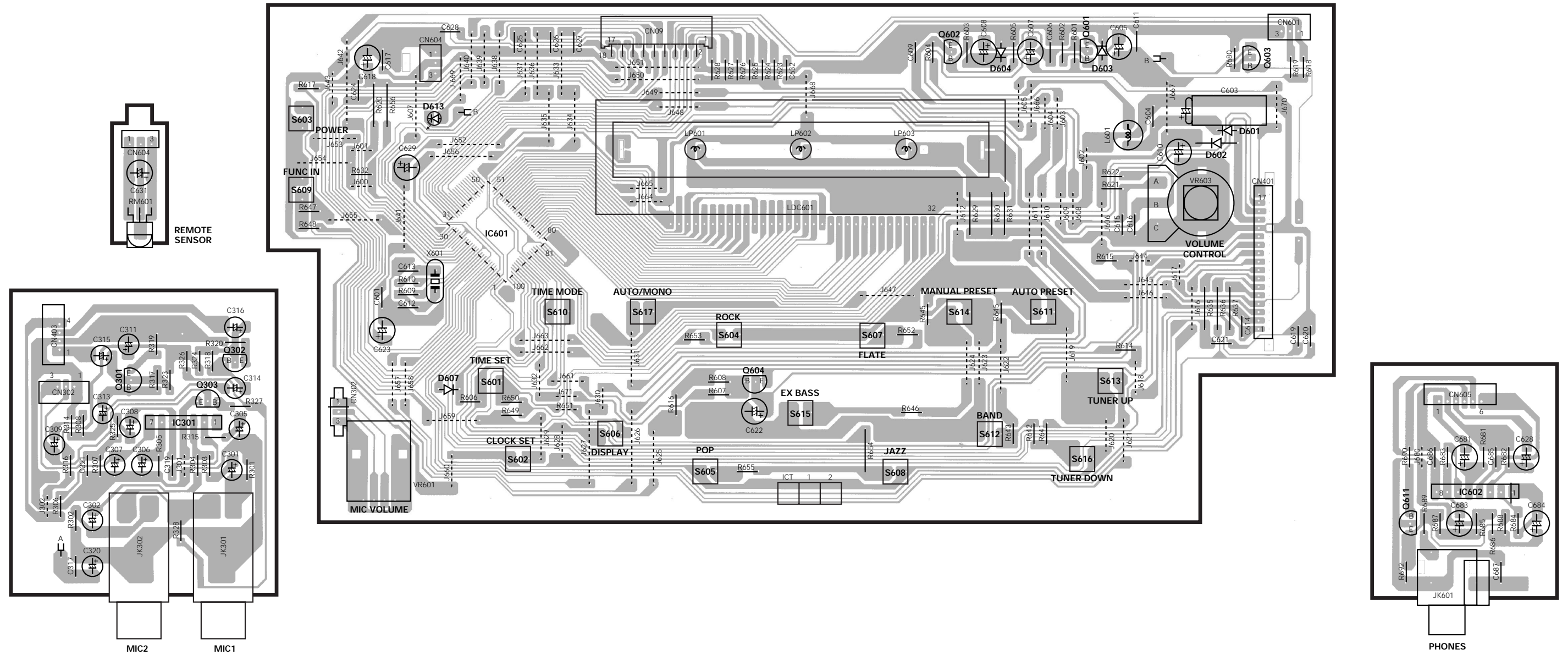
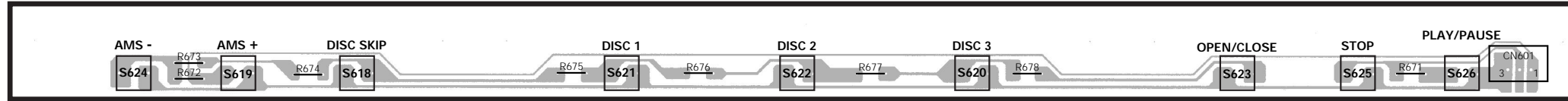
AUDIO UNIT

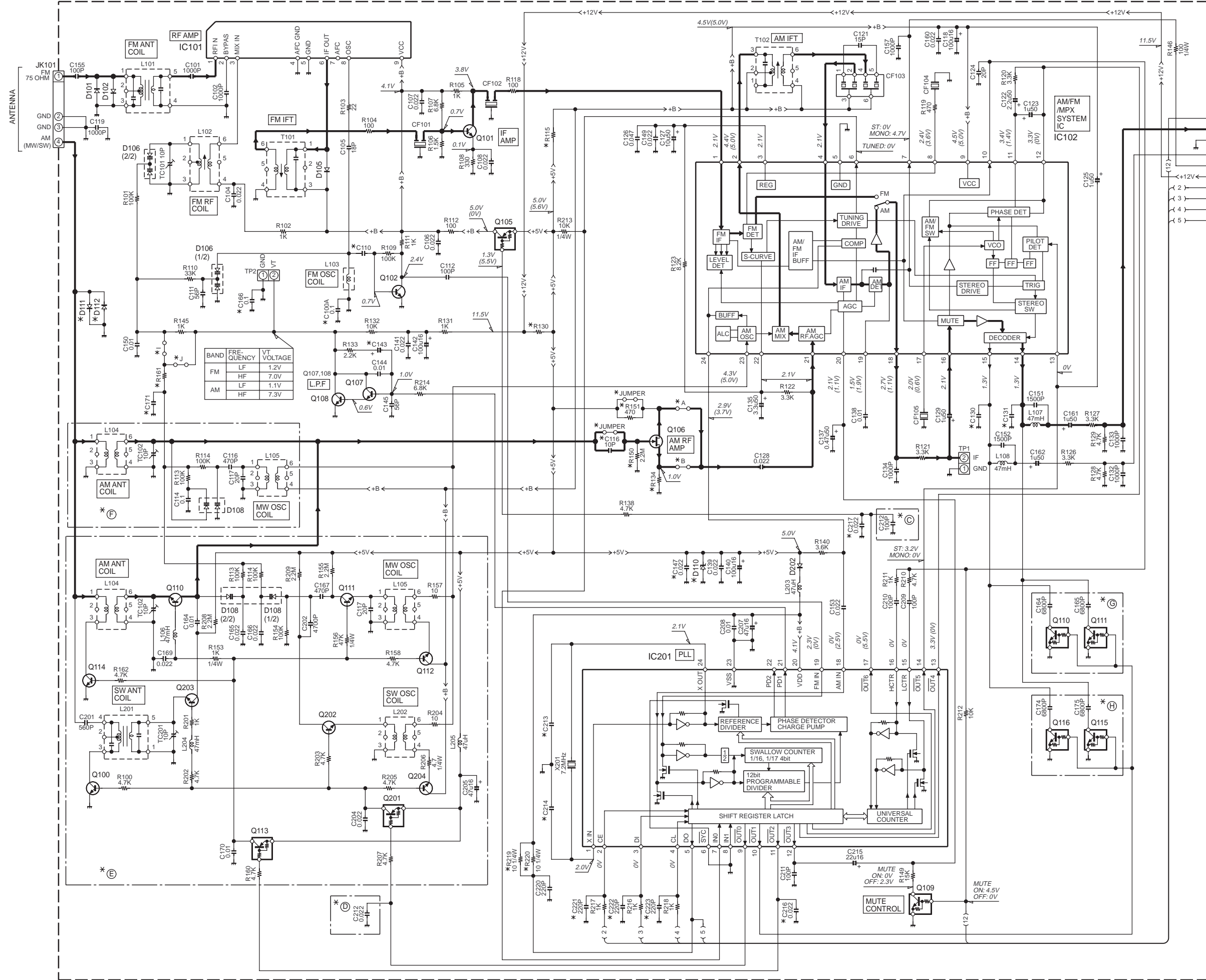


Refer to the schematic diagram for the value of resistors and capacitors.

PC BOARD (Component side view)

DISPLAY UNIT





RXD-301/351

| DESTINATION | COUNTRY | ABB. | A.D.E. | B.C. | G | D110 | D111, 112 | C100A,147, 221-223 | C110 | C116 | C117 | C130, 131 | C143 | C166, 216,217 | C171 | C213, 214 | R115 | R130 | R134 | R150, 219 | R151 | R161 | R220 | Q110, 111 | JUMPER |
|----------------|---------|------|--------|------|-----|---------|-----------|--------------------|------|------|------|-----------|------|---------------|------|-----------|------|----------|------|-----------|------|------|------|-----------|----------|
| JAPAN | X1 | | | | | | | | | | | | | | | | | | | | | | | | |
| AUSTRALIA | X3 | NO | YES | NO | NO | MT25.6B | YES | YES | 2.2P | 470P | 20P | 0.015 | 1u50 | NO | 0.1 | 24P | 22 | 150 1/2W | 3.3K | NO | NO | 2.2K | YES | NO | YES |
| U.S.A. | K1 | | | | | | | | | | | | | | | | | | | | | | | | |
| PX | Y1 | | | | | | | | | | | | | | | | | | | | | | | | |
| GENERAL MARKET | M1 | | | | YES | | | | | | | | | | | | | | | | | | | | DTC114YS |

RXD-A3

| DESTINATION | COUNTRY | ABB. | A.D.E. | B.C. | G | D110 | D111, 112 | C100A,147, 221-223 | C110 | C116 | C117 | C130, 131 | C143 | C166, 216,217 | C171 | C213, 214 | R115 | R130 | R134 | R150, 219 | R151 | R161 | R220 | Q110, 111 | JUMPER |
|-------------|---------|------|--------|------|----|---------|-----------|--------------------|------|------|------|-----------|------|---------------|------|-----------|------|----------|------|-----------|------|------|------|-----------|--------|
| JAPAN | X1 | | | | | | | | | | | | | | | | | | | | | | | | |
| AUSTRALIA | X3 | NO | YES | NO | NO | MT25.6B | YES | YES | 2.2P | 470P | 20P | 0.022 | 1u50 | NO | 0.1 | 24P | 22 | 150 1/2W | 3.3K | NO | NO | 2.2K | YES | NO | YES |
| U.S.A. | K1 | | | | | | | | | | | | | | | | | | | | | | | | |
| P1 | | | | | | | | | | | | | | | | | | | | | | | | | |

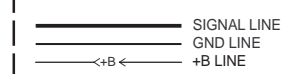
RXD-251

| DESTINATION | COUNTRY | ABB. | A.D.E. | B.C. | G | D110 | D111, 112 | C100A,147, 221-223 | C110 | C116 | C117 | C130, 131 | C143 | C166, 216,217 | C171 | C213, 214 | R115 | R130 | R134 | R150, 219 | R151 | R161 | R220 | Q110, 111 | JUMPER |
|-------------|---------|------|--------|------|----|---------|-----------|--------------------|------|------|------|-----------|------|---------------|------|-----------|------|----------|------|-----------|------|------|------|-----------|--------|
| JAPAN | X1 | | | | | | | | | | | | | | | | | | | | | | | | |
| AUSTRALIA | X3 | NO | YES | NO | NO | MT25.6B | YES | YES | 2.2P | 470P | 20P | 0.015 | 1u50 | NO | 0.1 | 24P | 22 | 150 1/2W | 3.3K | NO | NO | 2.2K | YES | NO | YES |
| U.S.A. | K1 | | | | | | | | | | | | | | | | | | | | | | | | |
| P1 | | | | | | | | | | | | | | | | | | | | | | | | | |

RXD-371S

| DESTINATION | COUNTRY | ABB. | A.D.E. | B.C. | G | D110 | D111, 112 | C100A,147, 221-223 | C110 | C116 | C117 | C130, 131 | C143 | C166, 216,217 | C171 | C213, 214 | R115 | R130 | R134 | R150, 219 | R151 | R161 | R220 | Q110, 111 | JUMPER |
|-------------|---------|------|--------|------|----|---------|-----------|--------------------|------|------|------|-----------|--------|---------------|-------|-----------|------|----------|------|-----------|------|------|------|-----------|--------|
| JAPAN | X1 | | | | | | | | | | | | | | | | | | | | | | | | |
| AUSTRALIA | X3 | NO | YES | NO | NO | MT26.2B | NO | NO | 4.7P | 10P | 5.6P | 0.015 | 3.3u50 | YES | 0.022 | 27P | 47 | 100 1/2W | 10 | YES | YES | 4.7K | NO | 25C2878A | NO |
| U.S.A. | K1 | | | | | | | | | | | | | | | | | | | | | | | | |
| P1 | | | | | | | | | | | | | | | | | | | | | | | | | |

- IC101 : LA1186N
- IC102 : LA1831
- IC201 : LC7218
- Q100,114 : 2SC2001(L)
- Q101 : 2SC1675(L)
- Q102 : 2SC1674(L)
- Q105 : DTA114YS
- Q106 : 2SK161(GR)
- Q107,108 : 2SC945(Q)
- Q109,115,116 : DTC114YS
- Q110,111 : *
- Q112,202-204 : 2SC2878A
- Q113,201 : DTA144ES
- D101,102,105,111,112,202 : 1S5133
- D106 : KV1340A
- D108 : KV1581A
- D110 : *



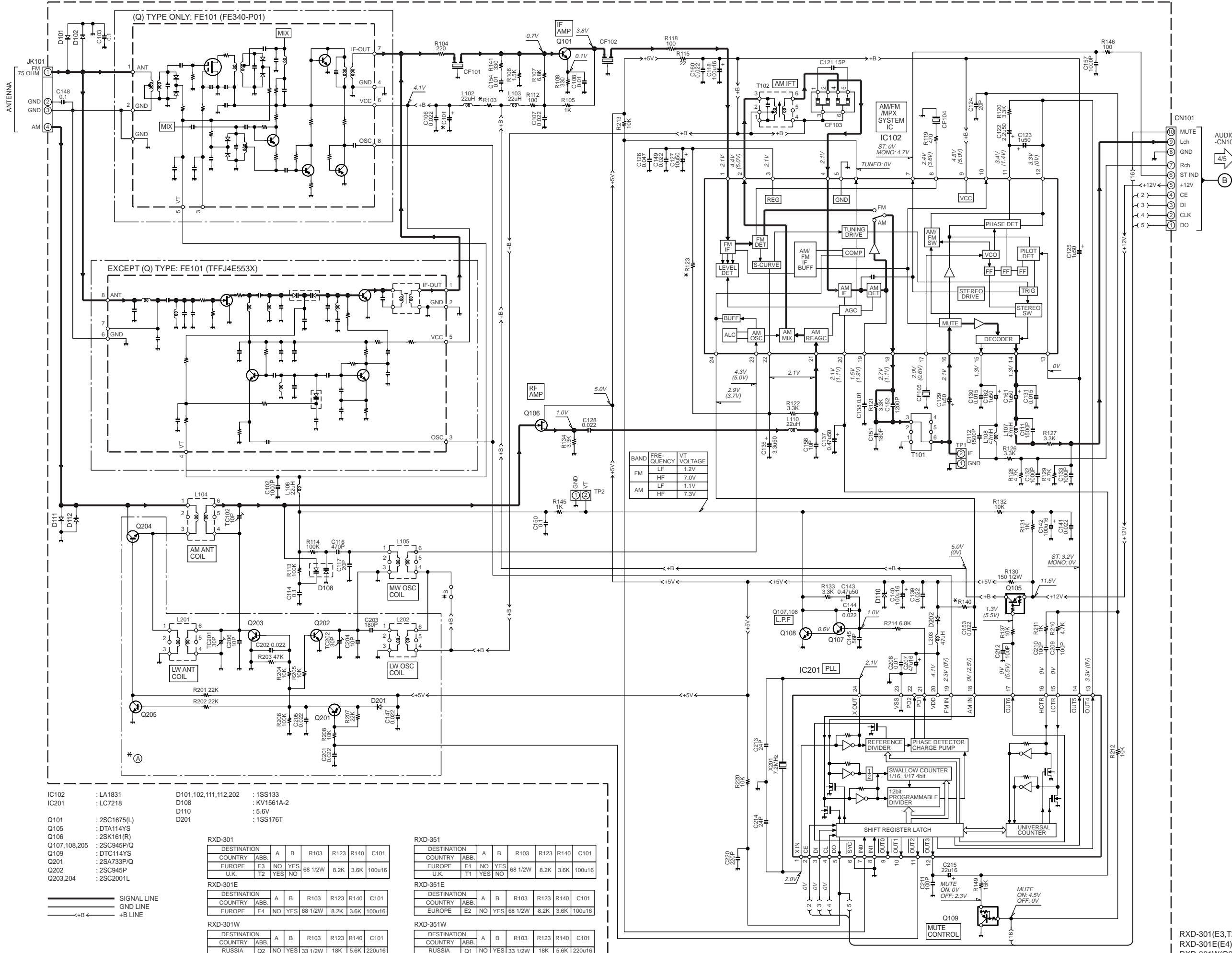
CAUTION: For continued safety, replace safety critical components only with manufacturer's recommended parts (refer to parts list). indicates safety critical components. For continued protection against risk of fire, replace only with same type and rating fuse(s). To reduce the risk of electric shock, leakage-current or resistance measurements shall be carried out (exposed parts are acceptably insulated from the supply circuit) before the appliance is returned to the customer.

The DC voltage is an actual reading measured with a high impedance type voltmeter as the AM/FM signal generator is specified to the conditions as shown in the list below. The measurement value may vary depending on the measuring instruments used or on the product. The value shown in () is actual reading measured in the AM mode.

| MODE | CARRIER | MODULATION | | ANT INPUT |
|------|--------------|------------|------------------------------|-----------|
| | | FREQUENCY | DEVIATION | |
| FM | 98MHz | 1kHz | STEREO 67.5kHz 7.5kHz(Pilot) | 60dB |
| AM | 1000(999)kHz | 400Hz | MONO 30% MOD | 60dB |

RXD-351(J,X1,Y1,M1) (1/5)
 RXD-A3(K1,P1) (1/5)
 RXD-251(X2,M3) (1/5)
 RXD-371S(M2) (1/5)

RXD-251/301/351/371S/A3



CAUTION: For continued safety, replace safety critical components only with manufacturer's recommended parts (refer to parts list). indicates safety critical components. For continued protection against risk of fire, replace only with same type and rating fuse(s). To reduce the risk of electric shock, leakage-current or resistance measurements shall be carried out (exposed parts are acceptably insulated from the supply circuit) before the appliance is returned to the customer.

The DC voltage is an actual reading measured with a high impedance type voltmeter as the AM/FM signal generator is specified to the conditions as shown in the list below. The measurement value may vary depending on the measuring instruments used or on the product. The value shown in () is actual reading measured in the AM mode.

| MODE | CARRIER | MODULATION | | ANT INPUT |
|------|--------------|------------|------------------------------|-----------|
| | | FREQUENCY | DEVIATION | |
| FM | 98MHz | 1kHz | STEREO 67.5kHz 7.5kHz(Pilot) | 60dB |
| AM | 1000(999)kHz | 400Hz | MONO 30% MOD | 60dB |

- 2SA733
- 2SA988
- 2SC1674
- 2SC1675
- 2SC1841
- 2SC2001
- 2SC2878A
- 2SC945
- 2SD882
- DTA114YS
- DTA144ES
- DTC114YS
- DTC114TS
- DTC124ES
- TC4066BP
- NJM4558L
- UPC1237HA
- LA1831
- LC7218

- IC102 : LA1831
- IC201 : LC7218
- Q101 : 2SC1675(L)
- Q105 : DTA114YS
- Q106 : 2SK161(R)
- Q107,108,205 : 2SC945P/Q
- Q109 : DTC114YS
- Q201 : 2SA733P/Q
- Q202 : 2SC945P
- Q203,204 : 2SC2001L
- D101,102,111,112,202 : 1SS133
- D108 : KV1561A-2
- D110 : 5.6V
- D201 : 1SS176T

| RXD-301 | | | | | | | | | |
|-------------|---------|------|-----|-----|---------|------|------|--------|--|
| DESTINATION | COUNTRY | ABB. | A | B | R103 | R123 | R140 | C101 | |
| EUROPE | E3 | NO | YES | YES | 68 1/2W | 8.2K | 3.6K | 100u16 | |
| U.K. | T2 | YES | NO | | | | | | |

| RXD-351 | | | | | | | | | |
|-------------|---------|------|-----|----|---------|------|------|--------|--|
| DESTINATION | COUNTRY | ABB. | A | B | R103 | R123 | R140 | C101 | |
| EUROPE | E1 | NO | YES | NO | 68 1/2W | 8.2K | 3.6K | 100u16 | |
| U.K. | T1 | YES | NO | | | | | | |

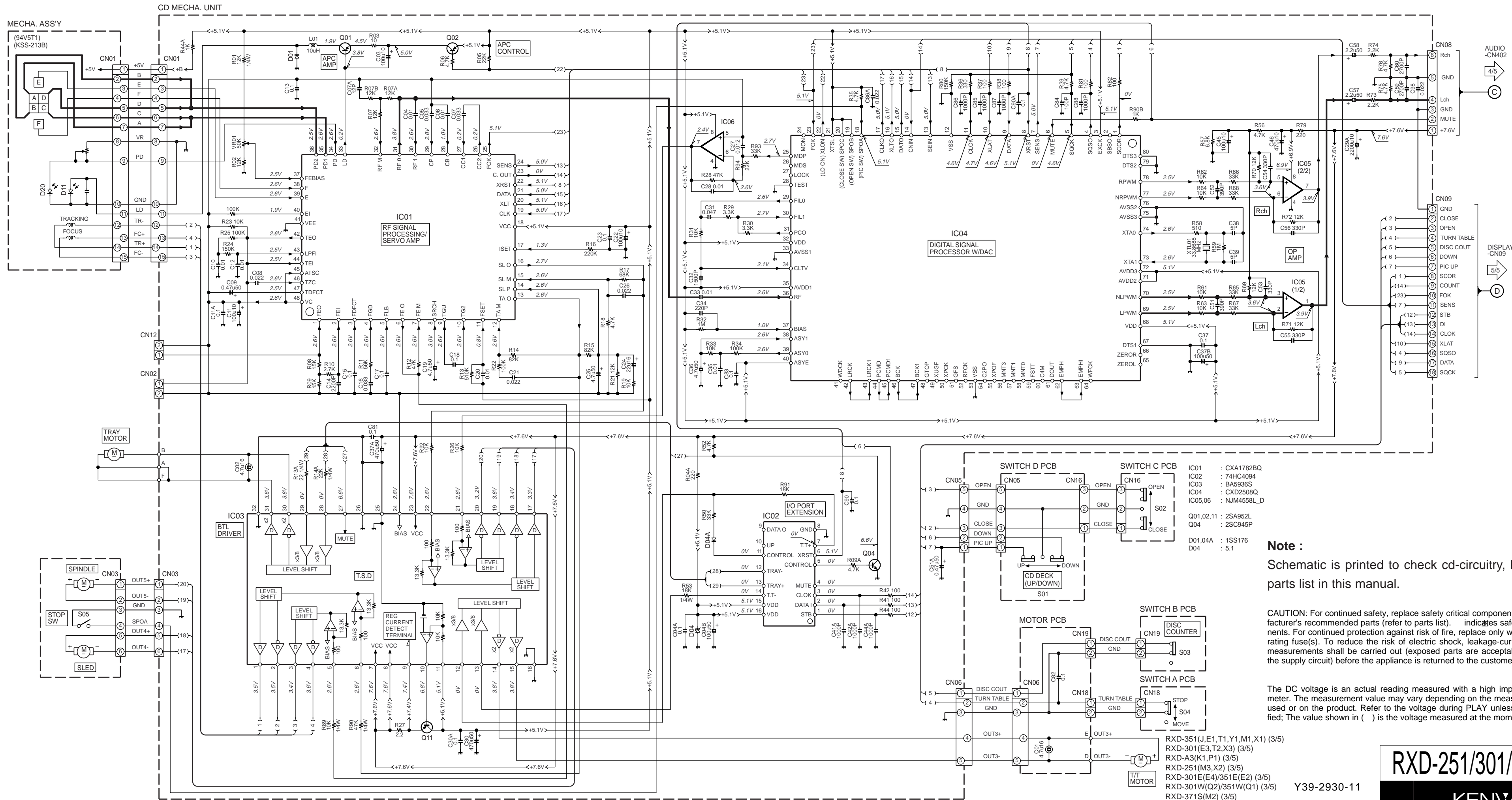
| RXD-301E | | | | | | | | | |
|-------------|---------|------|-----|-----|---------|------|------|--------|--|
| DESTINATION | COUNTRY | ABB. | A | B | R103 | R123 | R140 | C101 | |
| EUROPE | E4 | NO | YES | YES | 68 1/2W | 8.2K | 3.6K | 100u16 | |

| RXD-351E | | | | | | | | | |
|-------------|---------|------|-----|-----|---------|------|------|--------|--|
| DESTINATION | COUNTRY | ABB. | A | B | R103 | R123 | R140 | C101 | |
| EUROPE | E2 | NO | YES | YES | 68 1/2W | 8.2K | 3.6K | 100u16 | |

| RXD-301W | | | | | | | | | |
|-------------|---------|------|-----|-----|---------|------|------|--------|--|
| DESTINATION | COUNTRY | ABB. | A | B | R103 | R123 | R140 | C101 | |
| RUSSIA | Q2 | NO | YES | YES | 33 1/2W | 18K | 5.6K | 220u16 | |

RXD-301(E3,T2)/351(E1,T1) (2/5)
 RXD-301E(E4)/351E(E2) (2/5)
 RXD-301W(Q2)/351W(Q1) (2/5)

Y39-2930-11



- IC01 : CXA1782BQ
- IC02 : 74HC4094
- IC03 : BA5936S
- IC04 : CXD2508Q
- IC05,06 : NJM4558L-D
- Q01,02,11 : 2SA952L
- Q04 : 2SC945P
- D01,04A : 1SS176
- D04 : 5.1

Note :
Schematic is printed to check cd-circuitry, however, no parts list in this manual.

CAUTION: For continued safety, replace safety critical components only with manufacturer's recommended parts (refer to parts list). indicates safety critical components. For continued protection against risk of fire, replace only with same type and rating fuse(s). To reduce the risk of electric shock, leakage-current or resistance measurements shall be carried out (exposed parts are acceptably insulated from the supply circuit) before the appliance is returned to the customer.

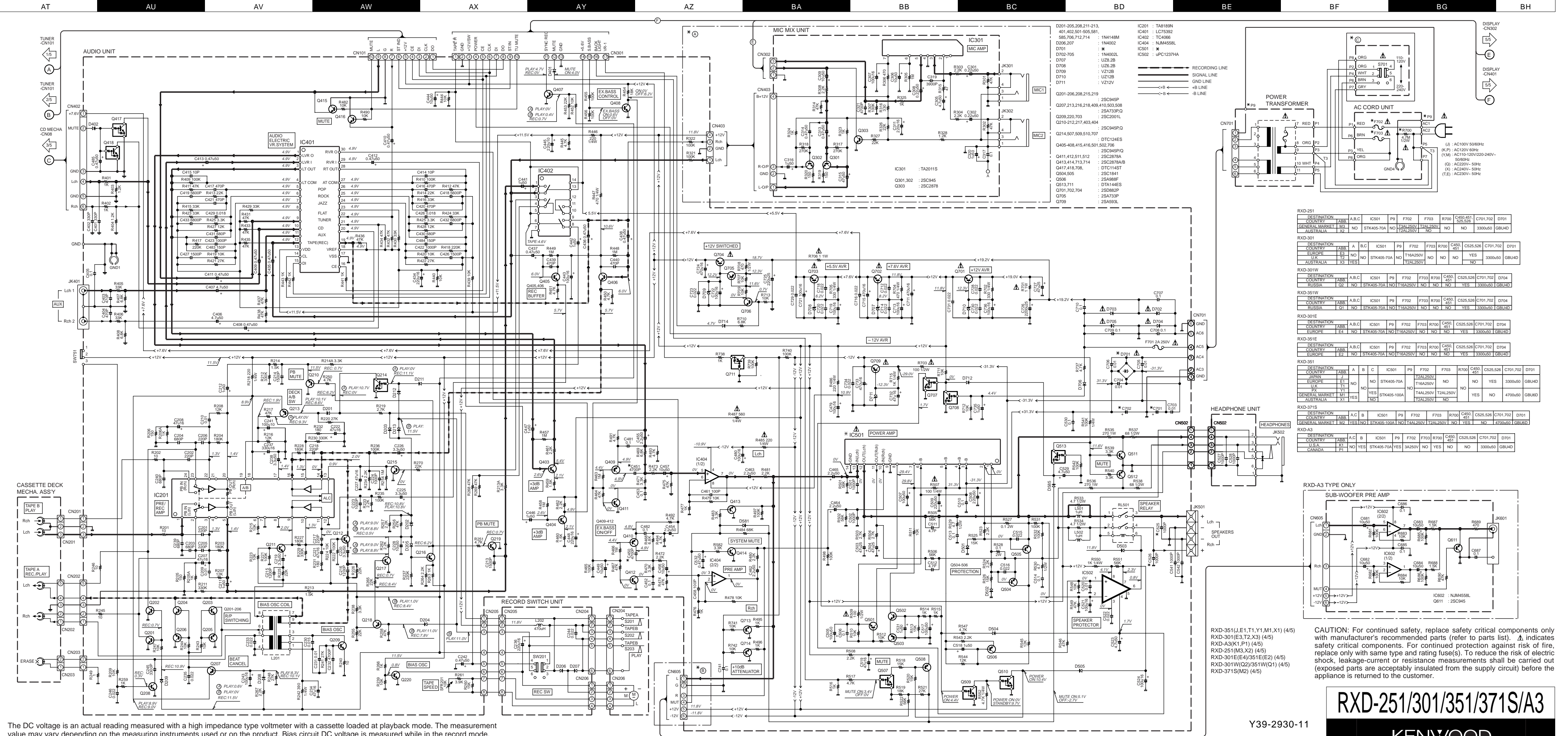
The DC voltage is an actual reading measured with a high impedance type voltmeter. The measurement value may vary depending on the measuring instruments used or on the product. Refer to the voltage during PLAY unless otherwise specified; The value shown in () is the voltage measured at the moment of STOP.

- RXD-351(J,E1,T1,Y1,M1,X1) (3/5)
- RXD-301(E3,T2,X3) (3/5)
- RXD-A3(K1,P1) (3/5)
- RXD-251(M3,X2) (3/5)
- RXD-301E(E4)/351E(E2) (3/5)
- RXD-301W(Q2)/351W(Q1) (3/5)
- RXD-371S(M2) (3/5)

Y39-2930-11

RXD-251/301/351/371S/A3

KENWOOD



The DC voltage is an actual reading measured with a high impedance type voltmeter with a cassette loaded at playback mode. The measurement value may vary depending on the measuring instruments used or on the product. Bias circuit DC voltage is measured while in the record mode.

Y39-2930-11

RXD-251/301/351/371S/A3

KENWOOD

| RXD-251 | | | | | | | | | | | | | | |
|----------------|---------|------|----|----|----|------------|----|----------|------|------|----------|----------|----------|-------|
| DESTINATION | COUNTRY | ABB. | A | B | C | IC501 | P9 | F702 | F703 | R700 | C450,451 | C525,526 | C701,702 | D701 |
| GENERAL MARKET | M1 | NO | NO | NO | NO | STK405-70A | NO | T2AL250V | NO | NO | NO | NO | 3300u50 | GBU4D |
| AUSTRALIA | X2 | NO | NO | NO | NO | STK405-70A | NO | T2AL250V | NO | NO | NO | NO | 3300u50 | GBU4D |

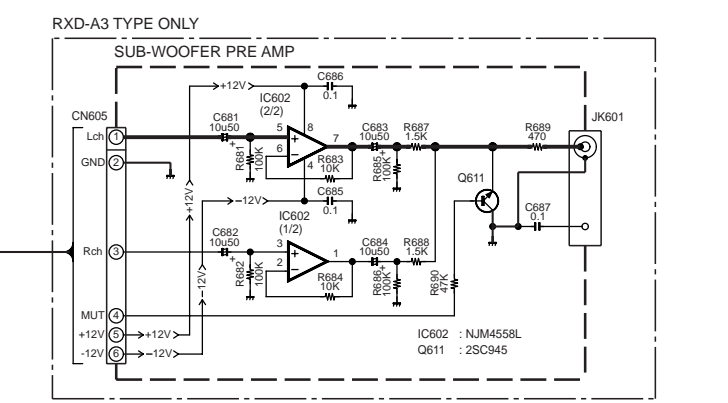
| RXD-301 | | | | | | | | | | | | | | |
|-------------|---------|------|----|----|----|------------|----|----------|------|------|----------|----------|----------|-------|
| DESTINATION | COUNTRY | ABB. | A | B | C | IC501 | P9 | F702 | F703 | R700 | C450,451 | C525,526 | C701,702 | D701 |
| EUROPE | E3 | NO | NO | NO | NO | STK405-70A | NO | T16A250V | NO | NO | NO | YES | 3300u50 | GBU4D |
| RUSSIA | G2 | NO | NO | NO | NO | STK405-70A | NO | T2AL250V | NO | NO | NO | NO | 3300u50 | GBU4D |
| AUSTRALIA | X3 | YES | NO | NO | NO | STK405-70A | NO | T2AL250V | NO | NO | NO | NO | 3300u50 | GBU4D |

| RXD-301W | | | | | | | | | | | | | | |
|-------------|---------|------|----|----|----|------------|----|----------|------|------|----------|----------|----------|-------|
| DESTINATION | COUNTRY | ABB. | A | B | C | IC501 | P9 | F702 | F703 | R700 | C450,451 | C525,526 | C701,702 | D704 |
| EUROPE | E4 | NO | NO | NO | NO | STK405-70A | NO | T16A250V | NO | NO | NO | YES | 3300u50 | GBU4D |
| RUSSIA | G1 | NO | NO | NO | NO | STK405-70A | NO | T16A250V | NO | NO | NO | NO | 3300u50 | GBU4D |

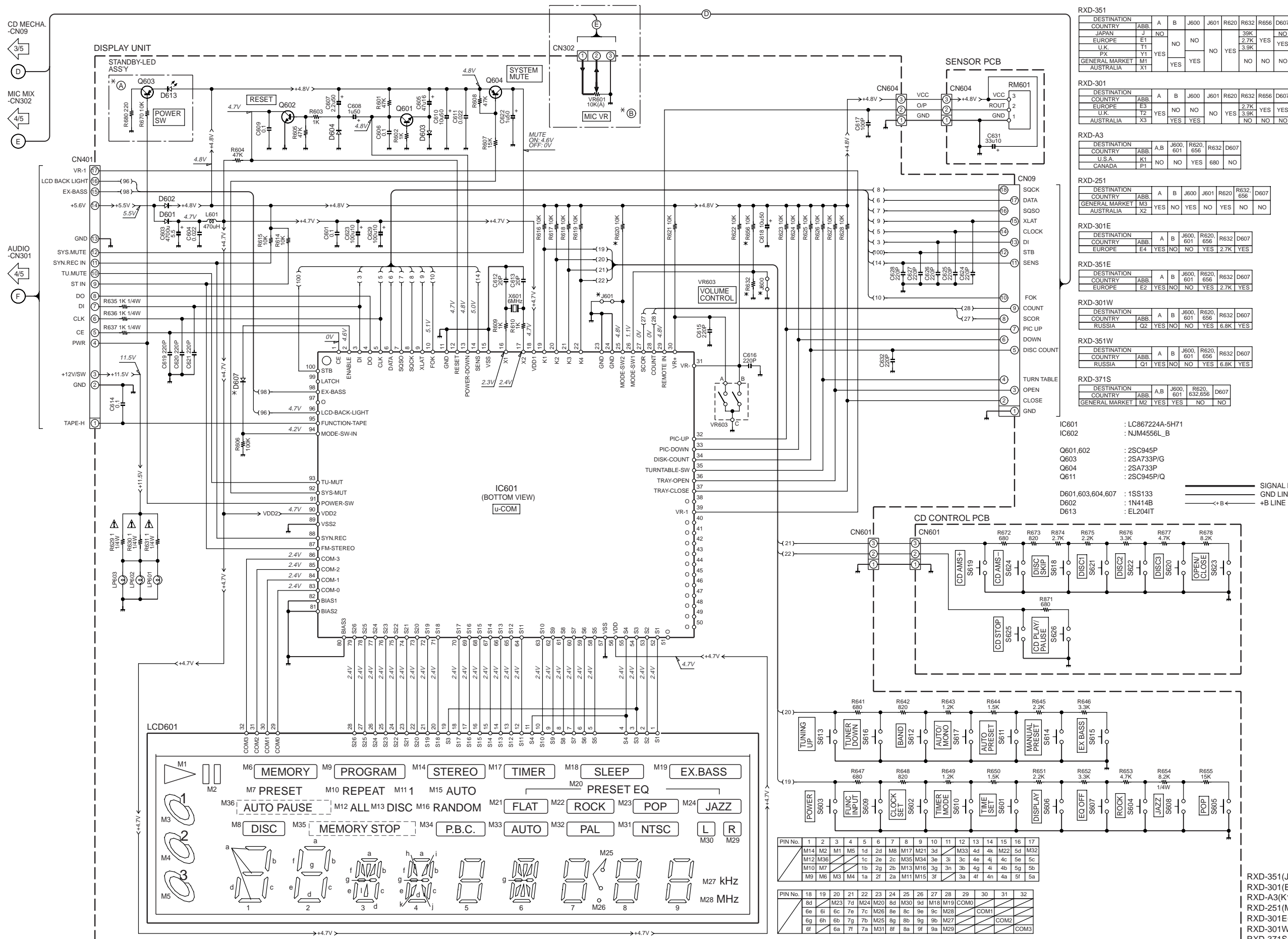
| RXD-301E | | | | | | | | | | | | | | |
|-------------|---------|------|----|----|----|------------|----|----------|------|------|----------|----------|----------|-------|
| DESTINATION | COUNTRY | ABB. | A | B | C | IC501 | P9 | F702 | F703 | R700 | C450,451 | C525,526 | C701,702 | D704 |
| EUROPE | E4 | NO | NO | NO | NO | STK405-70A | NO | T16A250V | NO | NO | NO | YES | 3300u50 | GBU4D |
| RUSSIA | E2 | NO | NO | NO | NO | STK405-70A | NO | T16A250V | NO | NO | NO | NO | 3300u50 | GBU4D |

| RXD-351 | | | | | | | | | | | | | | |
|----------------|---------|------|----|----|----|-------------|----|----------|------|------|----------|----------|----------|---------|
| DESTINATION | COUNTRY | ABB. | A | B | C | IC501 | P9 | F702 | F703 | R700 | C450,451 | C525,526 | C701,702 | D701 |
| JAPAN | J | NO | NO | NO | NO | STK405-70A | NO | T2AL250V | NO | NO | NO | NO | NO | 3300u50 |
| EUROPE | E1 | NO | NO | NO | NO | STK405-70A | NO | T16A250V | NO | NO | NO | NO | NO | 3300u50 |
| U.K. | T1 | NO | NO | NO | NO | STK405-70A | NO | T16A250V | NO | NO | NO | NO | NO | 3300u50 |
| GENERAL MARKET | M1 | NO | NO | NO | NO | STK405-100A | NO | T2AL250V | NO | NO | NO | YES | NO | 4700u50 |
| AUSTRALIA | X1 | YES | NO | NO | NO | STK405-100A | NO | T2AL250V | NO | NO | NO | NO | NO | 4700u50 |

| RXD-371S | | | | | | | | | | | | | | |
|----------------|---------|------|----|----|----|-------------|-----|----------|------|------|----------|----------|----------|---------|
| DESTINATION | COUNTRY | ABB. | A | B | C | IC501 | P9 | F702 | F703 | R700 | C450,451 | C525,526 | C701,702 | D701 |
| GENERAL MARKET | M2 | YES | NO | NO | NO | STK405-100A | NO | T4AL250V | NO | NO | NO | YES | NO | 4700u50 |
| EUROPE | E2 | NO | NO | NO | NO | STK405-70A | YES | 3A250V | NO | YES | NO | NO | NO | 3300u50 |
| CANADA | P1 | NO | NO | NO | NO | STK405-70A | YES | 3A250V | NO | YES | NO | NO | NO | 3300u50 |



CAUTION: For continued safety, replace safety critical components only with manufacturer's recommended parts (refer to parts list). Δ indicates safety critical components. For continued protection against risk of fire, replace only with same type and rating fuse(s). To reduce the risk of electric shock, leakage-current or resistance measurements shall be carried out (exposed parts are acceptably insulated from the supply circuit) before the appliance is returned to the customer.



| DESTINATION | COUNTRY | ABB. | A | B | J600 | J601 | R620 | R632 | R656 | D607 |
|----------------|---------|------|-----|----|------|------|------|------|------|------|
| JAPAN | J | NO | NO | NO | NO | NO | NO | 3.9K | NO | NO |
| EUROPE | E1 | NO | NO | NO | NO | NO | NO | 2.7K | YES | YES |
| U.K. | T1 | YES | NO | NO | NO | NO | NO | 3.9K | NO | NO |
| FX | Y1 | NO | NO | NO | NO | NO | NO | NO | NO | NO |
| GENERAL MARKET | M1 | NO | NO | NO | NO | NO | NO | NO | NO | NO |
| AUSTRALIA | X1 | YES | YES | NO | NO | NO | NO | NO | NO | NO |

| DESTINATION | COUNTRY | ABB. | A | B | J600 | J601 | R620 | R632 | R656 | D607 |
|-------------|---------|------|-----|----|------|------|------|------|------|------|
| JAPAN | J | NO | NO | NO | NO | NO | NO | NO | NO | NO |
| EUROPE | E3 | NO | NO | NO | NO | NO | NO | 2.7K | YES | YES |
| U.K. | T2 | YES | NO | NO | NO | NO | NO | 3.9K | NO | NO |
| AUSTRALIA | X3 | YES | YES | NO | NO | NO | NO | NO | NO | NO |

| DESTINATION | COUNTRY | ABB. | A | B | J600 | J601 | R620 | R632 | D607 |
|-------------|---------|------|----|----|------|------|------|------|------|
| U.S.A. | K1 | NO | NO | NO | NO | NO | NO | 680 | NO |
| CANADA | P1 | NO | NO | NO | NO | NO | NO | NO | NO |

| DESTINATION | COUNTRY | ABB. | A | B | J600 | J601 | R620 | R632 | D607 |
|-------------|---------|------|----|----|------|------|------|------|------|
| JAPAN | J | NO | NO | NO | NO | NO | NO | NO | NO |
| EUROPE | E4 | YES | NO | NO | NO | NO | NO | 2.7K | YES |

| DESTINATION | COUNTRY | ABB. | A | B | J600 | J601 | R620 | R632 | D607 |
|-------------|---------|------|----|----|------|------|------|------|------|
| EUROPE | E2 | YES | NO | NO | NO | NO | NO | 2.7K | YES |

| DESTINATION | COUNTRY | ABB. | A | B | J600 | J601 | R620 | R632 | D607 |
|-------------|---------|------|----|----|------|------|------|------|------|
| RUSSIA | Q2 | YES | NO | NO | NO | NO | NO | 6.8K | YES |

| DESTINATION | COUNTRY | ABB. | A | B | J600 | J601 | R620 | R632 | D607 |
|-------------|---------|------|----|----|------|------|------|------|------|
| RUSSIA | Q1 | YES | NO | NO | NO | NO | NO | 6.8K | YES |

| DESTINATION | COUNTRY | ABB. | A | B | J600 | J601 | R620 | R632 | D607 |
|-------------|---------|------|-----|----|------|------|------|------|------|
| RUSSIA | M2 | YES | YES | NO | NO | NO | NO | NO | NO |

| DESTINATION | COUNTRY | ABB. | A | B | J600 | J601 | R620 | R632 | D607 |
|-------------|---------|------|-----|----|------|------|------|------|------|
| RUSSIA | M2 | YES | YES | NO | NO | NO | NO | NO | NO |

IC601 : LC867224A-5H71
 IC602 : NJM4556L_B
 Q601,602 : 2SC945P
 Q603 : 2SA733P/G
 Q604 : 2SA733P
 Q611 : 2SC945P/Q
 D601,603,604,607 : 1SS133
 D602 : 1N414B
 D613 : EL204IT

— SIGNAL LINE
 — GND LINE
 — B — +B LINE

| PIN No. | 1 | 2 | 3 | 4 | 5 | 6 | 7 | 8 | 9 | 10 | 11 | 12 | 13 | 14 | 15 | 16 | 17 |
|---------|-----|----|----|----|-----|-----|-----|-----|----|-----|----|----|-----|----|-----|----|----|
| M14 | M2 | M1 | M5 | 1d | 2d | M8 | M17 | M21 | 3d | M33 | 4d | 4k | M22 | 5d | M32 | | |
| M12 | M36 | | 1c | 2c | M35 | M34 | 3e | 3i | 3c | 4e | 4i | 4c | 5e | 5c | | | |
| M10 | M7 | | 1b | 2b | M13 | M16 | 3g | 3n | 3b | 4g | 4i | 4b | 5g | 5b | | | |
| M9 | M6 | M3 | M4 | 1a | 2a | M11 | M15 | 3f | 3a | 4f | 4a | 4a | 5f | 5a | | | |

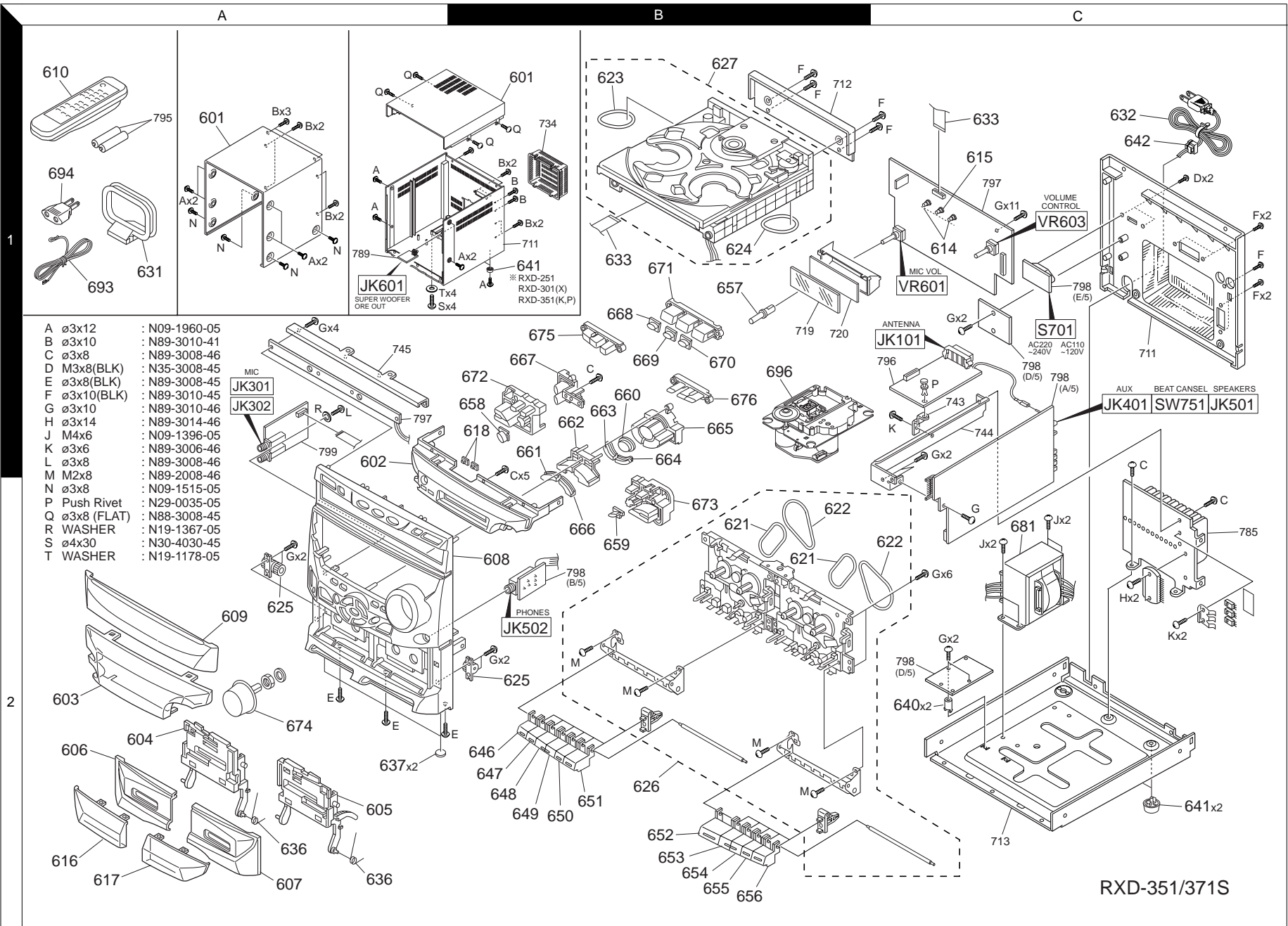
| PIN No. | 18 | 19 | 20 | 21 | 22 | 23 | 24 | 25 | 26 | 27 | 28 | 29 | 30 | 31 | 32 |
|---------|-----|----|-----|-----|-----|-----|----|-----|-----|------|----|----|----|----|----|
| 8d | M23 | 7d | M24 | M20 | 8d | M30 | 9d | M18 | M19 | COM0 | | | | | |
| 6e | 6i | 6c | 7e | 7c | M26 | 8e | 8c | 9e | 9c | M28 | | | | | |
| 6g | 6h | 6b | 7g | 7b | M25 | 8g | 8b | 9g | 9b | M27 | | | | | |
| 6f | | 6a | 7f | 7a | M31 | 8f | 8a | 9f | 9a | M29 | | | | | |

RXD-351(J,E,1,T,1,Y,1,M,1,X,1) (5/5)
 RXD-301(E,3,T,2,X,3) (5/5)
 RXD-A3(K,1,P,1) (5/5)
 RXD-251(M,3,X,2) (5/5)
 RXD-301E(E,4)/351E(E,2) (5/5)
 RXD-301W(Q,2)/351W(Q,1) (5/5)
 RXD-371S(M,2) (5/5)

CAUTION: For continued safety, replace safety critical components only with manufacturer's recommended parts (refer to parts list). Δ indicates safety critical components. For continued protection against risk of fire, replace only with same type and rating fuse(s). To reduce the risk of electric shock, leakage-current or resistance measurements shall be carried out (exposed parts are acceptably insulated from the supply circuit) before the appliance is returned to the customer.

The DC voltage is an actual reading measured with a high impedance type voltmeter with a cassette loaded at playback mode. The measurement value may vary depending on the measuring instruments used or on the product. Bias circuit DC voltage is measured while in the record mode.

EXPLODED VIEW (UNIT)



RXD-351/371S

- | | | | |
|---|-------------|---|-------------|
| A | ø3x12 | : | N09-1960-05 |
| B | ø3x10 | : | N89-3010-41 |
| C | ø3x8 | : | N89-3008-46 |
| D | M3x8(BLK) | : | N35-3008-45 |
| E | ø3x8(BLK) | : | N89-3008-45 |
| F | ø3x10(BLK) | : | N89-3010-45 |
| G | ø3x10 | : | N89-3010-46 |
| H | ø3x14 | : | N89-3014-46 |
| J | M4x6 | : | N09-1396-05 |
| K | ø3x6 | : | N89-3006-46 |
| L | ø3x8 | : | N89-3008-46 |
| M | M2x8 | : | N89-2008-46 |
| N | ø3x8 | : | N09-1515-05 |
| P | Push Rivet | : | N29-0035-05 |
| Q | ø3x8 (FLAT) | : | N88-3008-45 |
| R | WASHER | : | N19-1367-05 |
| S | ø4x30 | : | N30-4030-45 |
| T | WASHER | : | N19-1178-05 |

JK601
SUPER WOOFER
ORE OUT

641
* RXD-251
RXD-301(X)
RXD-351(K,P)

VR601
MIC VOL

VR603
VOLUME CONTROL

JK101
ANTENNA

S701
AC220 AC110
-240V -120V

JK401 AUX
SW751 BEAT CANCEL
JK501 SPEAKERS

JK502
PHONES

JK301
MIC

JK302

* New Parts

Parts without **Parts No.** are not supplied.
Les articles non mentionnés dans le **Parts No.** ne sont pas fournis.
Teile ohne **Parts No.** werden nicht geliefert.

①

| Ref. No | Add-ress | New Parts | Parts No. | Description | Desti-nation | Re-marks |
|--|----------|-----------|-------------|---------------------------|--------------|----------|
| RXD-251/301/301E/301W/351/351E/351W/371S/A5 | | | | | | |
| 601 | 1A | * | A01-3676-08 | CABINET BLACK | X3 | B |
| 601 | 1A | * | A01-3677-08 | CABINET GRAY | K1P1X2 H | |
| 601 | 1A | * | A01-3677-08 | CABINET GRAY | M3 H | |
| 601 | 1A | * | A01-3678-08 | CABINET(METAL)SILVER | E2M2 | S |
| 601 | 1A | * | A01-3678-08 | CABINET(METAL)SILVER | M1X1Y1 | S |
| 601 | 1A | * | A01-3678-08 | CABINET(METAL)SILVER | T1E1Q1 | S |
| 601 | 1A | * | A01-3679-08 | CABINET(METAL)BLACK | E4 | B |
| 601 | 1A | * | A01-3679-08 | CABINET(METAL)BLACK | T2Q2E3 | B |
| 602 | 1A | * | A22-1817-08 | SUB PANEL | K1P1 | |
| 602 | 1A | * | A22-1818-08 | SUB PANEL | M1X1Y1 | |
| 602 | 1A | * | A22-1818-08 | SUB PANEL | M2X2M3 | |
| 602 | 1A | * | A22-1818-08 | SUB PANEL | T1E1Q1 | |
| 602 | 1A | * | A22-1818-08 | SUB PANEL | T2E2Q2 | |
| 602 | 1A | * | A22-1818-08 | SUB PANEL | X3E3E4 | |
| 603 | 2A | * | A29-1040-08 | FRONT GLASS | K1P1 | |
| 603 | 2A | * | A29-1041-08 | FRONT GLASS | E3E4 | |
| 603 | 2A | * | A29-1041-08 | FRONT GLASS | T2Q2X3 | |
| 603 | 2A | * | A29-1042-08 | FRONT GLASS | E2 | |
| 603 | 2A | * | A29-1042-08 | FRONT GLASS | M1X1Y1 | |
| 603 | 2A | * | A29-1042-08 | FRONT GLASS | T1E1Q1 | |
| 603 | 2A | * | A29-1043-08 | FRONT GLASS | M2 | |
| 603 | 2A | * | A29-1044-08 | FRONT GLASS | M3X2 | |
| 604 | 2A | * | A53-2097-08 | CASSETTE HOLDER(L) | | |
| 605 | 2A | * | A53-2098-08 | CASSETTE HOLDER(R) | | |
| 606 | 2A | * | A53-2099-08 | CASSETTE LID(L) BLACK | E3E4 | B |
| 606 | 2A | * | A53-2099-08 | CASSETTE LID(L) BLACK | T2Q2X3 | B |
| 606 | 2A | * | A53-2101-08 | CASSETTE LID(L) SILVER | K1P1Y1 | S |
| 606 | 2A | * | A53-2101-08 | CASSETTE LID(L) SILVER | M1M2M3 | S |
| 606 | 2A | * | A53-2101-08 | CASSETTE LID(L) SILVER | Q1X1X2 | S |
| 606 | 2A | * | A53-2101-08 | CASSETTE LID(L) SILVER | T1E1E2 | S |
| 607 | 2A | * | A53-2100-08 | CASSETTE LID(R) BLACK | E3E4 | B |
| 607 | 2A | * | A53-2100-08 | CASSETTE LID(R) BLACK | T2Q2X3 | B |
| 607 | 2A | * | A53-2102-08 | CASSETTE LID(R) SILVER | K1P1Y1 | S |
| 607 | 2A | * | A53-2102-08 | CASSETTE LID(R) SILVER | M1M2M3 | S |
| 607 | 2A | * | A53-2102-08 | CASSETTE LID(R) SILVER | Q1X1X2 | S |
| 607 | 2A | * | A53-2102-08 | CASSETTE LID(R) SILVER | T1E1E2 | S |
| 608 | 2B | * | A60-1570-08 | FRONT PANEL BLACK | E4 | B |
| 608 | 2B | * | A60-1570-08 | FRONT PANEL BLACK | T2Q2E3 | B |
| 608 | 2B | * | A60-1571-08 | FRONT PANEL BLACK | X3 | B |
| 608 | 2B | * | A60-1572-08 | FRONT PANEL SILVER | K1P1Y1 | S |
| 608 | 2B | * | A60-1572-08 | FRONT PANEL SILVER | T1E1E2 | S |
| 608 | 2B | * | A60-1572-08 | FRONT PANEL SILVER | X2M3Q1 | S |
| 608 | 2B | * | A60-1573-08 | FRONT PANEL SILVER | M1X1M2 | S |
| 609 | 2A | * | A60-1576-08 | PANEL(CD) BLACK | E3E4 | B |
| 609 | 2A | * | A60-1576-08 | PANEL(CD) BLACK | X2Q2X3 | B |
| 609 | 2A | * | A60-1577-08 | PANEL(CD) SILVER | E2X2M3 | S |
| 609 | 2A | * | A60-1577-08 | PANEL(CD) SILVER | K1P1Y1 | S |
| 609 | 2A | * | A60-1577-08 | PANEL(CD) SILVER | M1X1M2 | S |
| 609 | 2A | * | A60-1577-08 | PANEL(CD) SILVER | T1E1Q1 | S |
| 610 | 1A | * | A70-1260-08 | REMOTE CONTROLLER(RC-301) | S | |
| 614 | 1C | * | B09-0262-08 | LAMP CAP | | |
| 615 | 1C | * | B09-0263-08 | LED COVER | | |
| 616 | 2A | * | B10-3450-08 | FRONT GLASS(CASSETTE)L | | |

L : Scandinavia K : USA P : Canada R : Mexico C : China I : Malaysia
Y : PX(Far East, Hawaii) T : Europe E : Europe G : Germany V : China (Shanghai) B : BLACK S : SILVER H : GRAY
Y : AAFES(Europe) X : Australia Q : Russia H : Korea M : Other Areas Δ indicates safety critical components.

* New Parts

Parts without **Parts No.** are not supplied.
Les articles non mentionnés dans le **Parts No.** ne sont pas fournis.
Teile ohne **Parts No.** werden nicht geliefert.

②

| Ref. No | Add-ress | New Parts | Parts No. | Description | Desti-nation | Re-marks |
|---------|----------|-----------|-------------|-------------------------------|--------------|----------|
| 617 | 2A | * | B10-3451-08 | FRONT GLASS(CASSETTE)R | | |
| 618 | 1B | * | B19-1602-08 | LED LENS | E1E2E3 | |
| 618 | 1B | * | B19-1602-08 | LED LENS | E4T1T2 | |
| 618 | 1B | * | B19-1602-08 | LED LENS | M1M2M3 | |
| 618 | 1B | * | B19-1602-08 | LED LENS | Q1Q2Y1 | |
| 618 | 1B | * | B19-1602-08 | LED LENS | X1X2X3 | |
| - | - | - | B46-0096-53 | WARRANTY CARD | X1X2X3 | |
| - | - | - | B46-0310-03 | WARRANTY CARD | E1E2E3 | |
| - | - | - | B46-0310-03 | WARRANTY CARD | E4Q1Q2 | |
| - | - | - | B46-0310-03 | WARRANTY CARD | T1T2 | |
| - | - | - | B46-0328-03 | WARRANTY CARD | K1P1 | |
| - | - | - | B46-0336-03 | WARRANTY CARD | P1 | |
| - | - | * | B60-3879-08 | INSTRUCTION MANUAL(ENGLISH) | K1P1Y1 | |
| - | - | * | B60-3879-08 | INSTRUCTION MANUAL(ENGLISH) | M1X1T1 | |
| - | - | * | B60-3879-08 | INSTRUCTION MANUAL(ENGLISH) | M3X3E4 | |
| - | - | * | B60-3879-08 | INSTRUCTION MANUAL(ENGLISH) | Q1E2M2 | |
| - | - | * | B60-3879-08 | INSTRUCTION MANUAL(ENGLISH) | T2Q2X2 | |
| - | - | * | B60-3880-08 | INSTRUCTION MANUAL(FRENCH) | P1E1E3 | |
| - | - | * | B60-3881-08 | INSTRUCTION MANUAL(GERMAN) | E1E3 | |
| - | - | * | B60-3882-08 | INSTRUCTION MANUAL(DUTCH) | E1E3 | |
| - | - | * | B60-3883-08 | INSTRUCTION MANUAL(ITALIAN) | E1E3 | |
| - | - | * | B60-3884-08 | INSTRUCTION MANUAL(SPANISH) | E1M1M2 | |
| - | - | * | B60-3884-08 | INSTRUCTION MANUAL(SPANISH) | E3M3 | |
| - | - | * | B60-3885-08 | INSTRUCTION MANUAL(PH) | E2E4 | |
| - | - | * | B60-3886-08 | INSTRUCTION MANUAL(HG) | E2E4 | |
| - | - | * | B60-3887-08 | INSTRUCTION MANUAL(CZ) | E2E4 | |
| - | - | * | B60-3888-08 | INSTRUCTION MANUAL(R) | Q1Q2 | |
| - | - | * | B60-3889-08 | INSTRUCTION MANUAL(TAIWANESE) | M1M2 | |
| 621 | 2B | * | D16-0725-08 | F BELT(CASSETTE) | | |
| 622 | 2B,2C | * | D16-0726-08 | M BELT(CASSETTE) | | |
| 623 | 1B | * | D16-0727-08 | LOADING BELT(CD) | | |
| 624 | 1B | * | D16-0728-08 | LOADING GEAR BELT(CD) | | |
| 625 | 2A,2B | * | D39-0325-08 | GEAR DAMPER | | |
| 626 | 2B | * | D40-1621-08 | CASSETTE MECHANISM ASSY | | |
| 627 | 1B | * | D40-1622-08 | CD MECHANISM ASSY | | |
| Δ 631 | 1A | * | E03-0115-05 | AC PLUG ADAPTER | M1M2M3 | |
| Δ 632 | 1C | * | E30-2895-08 | AC POWER CORD | K1P1 | |
| Δ 632 | 1C | * | E30-2905-08 | AC POWER CORD | T1T2 | |
| Δ 632 | 1C | * | E30-2906-08 | AC POWER CORD | M1E1Q1 | |
| Δ 632 | 1C | * | E30-2906-08 | AC POWER CORD | M2E2Q2 | |
| Δ 632 | 1C | * | E30-2906-08 | AC POWER CORD | M3E3E4 | |
| Δ 632 | 1C | * | E30-2907-08 | AC POWER CORD | Y1 | |
| Δ 632 | 1C | * | E30-2908-08 | AC POWER CORD | X1X2X3 | |
| 633 | 1B,1C | * | E35-2288-08 | FLAT CABLE(18P) | | |
| 636 | 2A | * | G01-4106-08 | EJECT SPRING | | |
| 637 | 2A | * | G11-2432-08 | CUSHION(FOOT RUBBER) | | |
| - | - | * | H10-7538-08 | POLYSTYRENE FOAMED FIXTURE(L) | | |
| - | - | * | H10-7539-08 | POLYSTYRENE FOAMED FIXTURE(R) | | |
| - | - | * | H21-0366-08 | SOFT SHEET(1500X700X0.5) | | |
| - | - | * | H25-1527-08 | POLY BAG | | |
| - | - | * | H50-2988-08 | ITEM CARTON CASE | T2E3 | |
| - | - | * | H50-2989-08 | ITEM CARTON CASE | E4 | |
| - | - | * | H50-2990-08 | ITEM CARTON CASE | Q2 | |

L : Scandinavia K : USA P : Canada R : Mexico C : China I : Malaysia
Y : PX(Far East, Hawaii) T : Europe E : Europe G : Germany V : China (Shanghai) B : BLACK S : SILVER H : GRAY
Y : AAFES(Europe) X : Australia Q : Russia H : Korea M : Other Areas Δ indicates safety critical components.

PARTS LIST

RXD-251/301/351/371S/A3

* New Parts
Parts without **Parts No.** are not supplied.
Les articles non mentionnés dans le **Parts No.** ne sont pas fournis.
Teile ohne **Parts No.** werden nicht geliefert.



| Ref. No | Add-ress | New Parts | Parts No. | Description | Desti-nation | Re-marks |
|---------|----------|-----------|-------------|--------------------------------|--------------|----------|
| - | | * | H50-2992-08 | ITEM CARTON CASE | T1E1 | |
| - | | * | H50-2993-08 | ITEM CARTON CASE | E2 | |
| - | | * | H50-2994-08 | ITEM CARTON CASE | Q1 | |
| - | | * | H50-2995-08 | ITEM CARTON CASE | M1 | |
| - | | * | H50-2996-08 | ITEM CARTON CASE | M2 | |
| - | | * | H50-3001-08 | ITEM CARTON CASE | M3 | |
| - | | * | H60-0685-08 | ITEM CARTON CASE | K1P1 | |
| - | | * | H60-0686-08 | ITEM CARTON CASE | X3 | |
| - | | * | H60-0687-08 | ITEM CARTON CASE | X1Y1 | |
| - | | * | H60-0771-08 | ITEM CARTON CASE | X2 | |
| 640 | 2C | * | J19-5961-08 | UNIT HOLDER | E1E2E3 | |
| 640 | 2C | * | J19-5961-08 | UNIT HOLDER | E4Q1Q2 | |
| 640 | 2C | * | J19-5961-08 | UNIT HOLDER | T1T2 | |
| 641 | 2C | * | J02-1433-08 | FOOT(REAR) | E1E2E3 | |
| 641 | 2C | * | J02-1433-08 | FOOT(REAR) | M1M2E4 | |
| 641 | 2C | * | J02-1433-08 | FOOT(REAR) | Q1Q2X1 | |
| 641 | 2C | * | J02-1433-08 | FOOT(REAR) | T1T2Y1 | |
| 641 | 2C | * | J02-1434-08 | FOOT(REAR) | K1P1X2 | |
| 641 | 2C | * | J02-1434-08 | FOOT(REAR) | M3X3 | |
| Δ 642 | 1C | * | J42-0330-08 | POWER CORD BUSHING | E1E2E3 | |
| Δ 642 | 1C | * | J42-0330-08 | POWER CORD BUSHING | E4Q1Q2 | |
| Δ 642 | 1C | * | J42-0330-08 | POWER CORD BUSHING | M1M2Y1 | |
| Δ 642 | 1C | * | J42-0330-08 | POWER CORD BUSHING | T1T2X1 | |
| 646 | 2B | * | K29-7487-08 | CASSETTE RECORD BUTTON(A) | E3E4 | B |
| 646 | 2B | * | K29-7487-08 | CASSETTE RECORD BUTTON(A) | T2Q2X3 | B |
| 646 | 2B | * | K29-7498-08 | CASSETTE RECORD BUTTON(A) | K1P1Y1 | H |
| 646 | 2B | * | K29-7498-08 | CASSETTE RECORD BUTTON(A) | M1M2M3 | H |
| 646 | 2B | * | K29-7498-08 | CASSETTE RECORD BUTTON(A) | T1E1E2 | H |
| 646 | 2B | * | K29-7498-08 | CASSETTE RECORD BUTTON(A) | X1X2Q1 | H |
| 647 | 2B | * | K29-7488-08 | CASSETTE PLAY BUTTON(A) | E3E4 | B |
| 647 | 2B | * | K29-7488-08 | CASSETTE PLAY BUTTON(A) | T2Q2X3 | B |
| 647 | 2B | * | K29-7499-08 | CASSETTE PLAY BUTTON(A) | K1P1Y1 | H |
| 647 | 2B | * | K29-7499-08 | CASSETTE PLAY BUTTON(A) | M1M2M3 | H |
| 647 | 2B | * | K29-7499-08 | CASSETTE PLAY BUTTON(A) | T1E1E2 | H |
| 647 | 2B | * | K29-7499-08 | CASSETTE PLAY BUTTON(A) | X1X2Q1 | H |
| 648 | 2B | * | K29-7489-08 | CASSETTE REWIND BUTTON(A) | E3E4 | B |
| 648 | 2B | * | K29-7489-08 | CASSETTE REWIND BUTTON(A) | T2Q2X3 | B |
| 648 | 2B | * | K29-7500-08 | CASSETTE REWIND BUTTON(A) | K1P1Y1 | H |
| 648 | 2B | * | K29-7500-08 | CASSETTE REWIND BUTTON(A) | M1M2M3 | H |
| 648 | 2B | * | K29-7500-08 | CASSETTE REWIND BUTTON(A) | T1E1E2 | H |
| 648 | 2B | * | K29-7500-08 | CASSETTE REWIND BUTTON(A) | X1X2Q1 | H |
| 649 | 2B | * | K29-7490-08 | CASSETTE FASTFORWARD BUTTON(A) | E3E4 | B |
| 649 | 2B | * | K29-7490-08 | CASSETTE FASTFORWARD BUTTON(A) | T2Q2X3 | B |
| 649 | 2B | * | K29-7501-08 | CASSETTE FASTFORWARD BUTTON(A) | K1P1Y1 | H |
| 649 | 2B | * | K29-7501-08 | CASSETTE FASTFORWARD BUTTON(A) | M1M2M3 | H |
| 649 | 2B | * | K29-7501-08 | CASSETTE FASTFORWARD BUTTON(A) | T1E1E2 | H |
| 649 | 2B | * | K29-7501-08 | CASSETTE FASTFORWARD BUTTON(A) | X1X2Q1 | H |
| 650 | 2B | * | K29-7491-08 | CASSETTE STOP/EJECT BUTTON(A) | E3E4 | B |
| 650 | 2B | * | K29-7491-08 | CASSETTE STOP/EJECT BUTTON(A) | T2Q2X3 | B |
| 650 | 2B | * | K29-7502-08 | CASSETTE STOP/EJECT BUTTON(A) | K1P1Y1 | H |
| 650 | 2B | * | K29-7502-08 | CASSETTE STOP/EJECT BUTTON(A) | M1M2M3 | H |
| 650 | 2B | * | K29-7502-08 | CASSETTE STOP/EJECT BUTTON(A) | T1E1E2 | H |
| 650 | 2B | * | K29-7502-08 | CASSETTE STOP/EJECT BUTTON(A) | X1X2Q1 | H |
| 651 | 2B | * | K29-7492-08 | CASSETTE PAUSE BUTTON(A) | E3E4 | B |

L : Scandinavia K : USA P : Canada R : Mexico C : China I : Malaysia
Y : PX(Far East, Hawaii) T : Europe E : Europe G : Germany V : China (Shanghai) B : BLACK S : SILVER H : GRAY
Y : AAFES(Europe) X : Australia Q : Russia H : Korea M : Other Areas Δ indicates safety critical components.

* New Parts
Parts without **Parts No.** are not supplied.
Les articles non mentionnés dans le **Parts No.** ne sont pas fournis.
Teile ohne **Parts No.** werden nicht geliefert.



| Ref. No | Add-ress | New Parts | Parts No. | Description | Desti-nation | Re-marks |
|---------|----------|-----------|-------------|--------------------------------|--------------|----------|
| 651 | 2B | * | K29-7492-08 | CASSETTE PAUSE BUTTON(A) | T2Q2X3 | B |
| 651 | 2B | * | K29-7503-08 | CASSETTE PAUSE BUTTON(A) | K1P1Y1 | H |
| 651 | 2B | * | K29-7503-08 | CASSETTE PAUSE BUTTON(A) | M1M2M3 | H |
| 651 | 2B | * | K29-7503-08 | CASSETTE PAUSE BUTTON(A) | T1E1E2 | H |
| 651 | 2B | * | K29-7503-08 | CASSETTE PAUSE BUTTON(A) | X1X2Q1 | H |
| 652 | 2B | * | K29-7493-08 | CASSETTE PLAY BUTTON(B) | E3E4 | B |
| 652 | 2B | * | K29-7493-08 | CASSETTE PLAY BUTTON(B) | T2Q2X3 | B |
| 652 | 2B | * | K29-7504-08 | CASSETTE PLAY BUTTON(B) | K1P1Y1 | H |
| 652 | 2B | * | K29-7504-08 | CASSETTE PLAY BUTTON(B) | M1M2M3 | H |
| 652 | 2B | * | K29-7504-08 | CASSETTE PLAY BUTTON(B) | T1E1E2 | H |
| 652 | 2B | * | K29-7504-08 | CASSETTE PLAY BUTTON(B) | X1X2Q1 | H |
| 653 | 2B | * | K29-7494-08 | CASSETTE REWIND BUTTON(B) | E3E4 | B |
| 653 | 2B | * | K29-7494-08 | CASSETTE REWIND BUTTON(B) | T2Q2X3 | B |
| 653 | 2B | * | K29-7505-08 | CASSETTE REWIND BUTTON(B) | K1P1Y1 | H |
| 653 | 2B | * | K29-7505-08 | CASSETTE REWIND BUTTON(B) | M1M2M3 | H |
| 653 | 2B | * | K29-7505-08 | CASSETTE REWIND BUTTON(B) | T1E1E2 | H |
| 653 | 2B | * | K29-7505-08 | CASSETTE REWIND BUTTON(B) | X1X2Q1 | H |
| 654 | 2B | * | K29-7495-08 | CASSETTE FASTFORWARD BUTTON(B) | E3E4 | B |
| 654 | 2B | * | K29-7495-08 | CASSETTE FASTFORWARD BUTTON(B) | T2Q2X3 | B |
| 654 | 2B | * | K29-7506-08 | CASSETTE FASTFORWARD BUTTON(B) | K1P1Y1 | H |
| 654 | 2B | * | K29-7506-08 | CASSETTE FASTFORWARD BUTTON(B) | M1M2M3 | H |
| 654 | 2B | * | K29-7506-08 | CASSETTE FASTFORWARD BUTTON(B) | T1E1E2 | H |
| 654 | 2B | * | K29-7506-08 | CASSETTE FASTFORWARD BUTTON(B) | X1X2Q1 | H |
| 655 | 2B | * | K29-7496-08 | CASSETTE STOP/EJECT BUTTON(B) | E3E4 | B |
| 655 | 2B | * | K29-7496-08 | CASSETTE STOP/EJECT BUTTON(B) | T2Q2X3 | B |
| 655 | 2B | * | K29-7507-08 | CASSETTE STOP/EJECT BUTTON(B) | K1P1Y1 | H |
| 655 | 2B | * | K29-7507-08 | CASSETTE STOP/EJECT BUTTON(B) | M1M2M3 | H |
| 655 | 2B | * | K29-7507-08 | CASSETTE STOP/EJECT BUTTON(B) | T1E1E2 | H |
| 655 | 2B | * | K29-7507-08 | CASSETTE STOP/EJECT BUTTON(B) | X1X2Q1 | H |
| 656 | 2B | * | K29-7497-08 | CASSETTE PAUSE BUTTON(B) | E3E4 | B |
| 656 | 2B | * | K29-7508-08 | CASSETTE PAUSE BUTTON(B) | T2Q2X3 | B |
| 656 | 2B | * | K29-7508-08 | CASSETTE PAUSE BUTTON(B) | K1P1Y1 | H |
| 656 | 2B | * | K29-7508-08 | CASSETTE PAUSE BUTTON(B) | M1M2M3 | H |
| 656 | 2B | * | K29-7508-08 | CASSETTE PAUSE BUTTON(B) | T1E1E2 | H |
| 656 | 2B | * | K29-7508-08 | CASSETTE PAUSE BUTTON(B) | X1X2Q1 | H |
| 657 | 1B | * | K29-7509-08 | KNOB(MIC) | M1X1M2 | H |
| 657 | 1B | * | K29-7509-08 | KNOB(MIC) | X3 | H |
| 658 | 1B | * | K29-7511-08 | KNOB(DISPLAY/DEMO) | | |
| 659 | 2B | * | K29-7519-08 | KNOB(BAND) | | |
| 660 | 1B | * | K29-7512-08 | KNOB(EX.BASS) | | |
| 661 | 1A | * | K29-7513-08 | KNOB(ROCK) | | |
| 662 | 1A | * | K29-7514-08 | KNOB(BASE ROCK) | | |
| 663 | 1A | * | K29-7515-08 | KNOB(POP) | | |
| 664 | 1A | * | K29-7516-08 | KNOB(JAZZ) | | |
| 665 | 1A | * | K29-7517-08 | KNOB(BASE JAZZ) | | |
| 666 | 2B | * | K29-7518-08 | KNOB(FLAT) | | |
| 667 | 1B | * | K29-7520-08 | KNOB(ON/STANDBY.INPUT) | E3E4 | B |
| 667 | 1B | * | K29-7520-08 | KNOB(ON/STANDBY.INPUT) | T2Q2X3 | B |
| 667 | 1B | * | K29-7549-08 | KNOB(ON/STANDBY.INPUT) | E1E2T1 | H |
| 667 | 1B | * | K29-7549-08 | KNOB(ON/STANDBY.INPUT) | M1M2M3 | H |
| 667 | 1B | * | K29-7549-08 | KNOB(ON/STANDBY.INPUT) | X1X2Q1 | H |
| 667 | 1B | * | K29-7549-08 | KNOB(ON/STANDBY.INPUT) | Y1 | H |
| 667 | 1B | * | K29-7550-08 | KNOB(POWER INPUT) | K1P1 | H |
| 668 | 1B | * | K29-7521-08 | KNOB(DISC 1) | | |
| 669 | 1B | * | K29-7522-08 | KNOB(DISC 2) | | |

L : Scandinavia K : USA P : Canada R : Mexico C : China I : Malaysia
Y : PX(Far East, Hawaii) T : Europe E : Europe G : Germany V : China (Shanghai) B : BLACK S : SILVER H : GRAY
Y : AAFES(Europe) X : Australia Q : Russia H : Korea M : Other Areas Δ indicates safety critical components.

PARTS LIST

RXD-251/301/351/371S/A3

* New Parts

Parts without **Parts No.** are not supplied.

Les articles non mentionnés dans le **Parts No.** ne sont pas fournis.

Teile ohne **Parts No.** werden nicht geliefert.

7

| Ref. No | Add-ress | New Parts | Parts No. | Description | Desti-nation | Re-marks |
|-----------|----------|-----------|---------------|------------------------------|--------------|----------|
| C151,152 | | | C91-0759-05 | CERAMIC 1500PF M | | |
| C153 | | | C91-0085-05 | CERAMIC 0.022UF N | | |
| C155 | | | C91-0745-05 | CERAMIC 100PF K | | |
| C157 | | | C91-0757-05 | CERAMIC 1000PF K | | |
| C160 | | | C91-0085-05 | CERAMIC 0.022UF N | | |
| C161,162 | | | CE04KW1H010M | ELECTRO 1.0UF 50WV | | |
| C164 | | | CK45FB1H103Z | CERAMIC 0.010UF Z | M2 | |
| C164 | | | CQ93FMG1H682J | MYLAR 6800PF J | M1M2M3 | |
| C164 | | | CQ93FMG1H682J | MYLAR 6800PF J | Y1 | |
| C165 | | | CK45FB1H223Z | CERAMIC 0.022UF Z | M2 | |
| C165 | | | CQ93FMG1H682J | MYLAR 6800PF J | K1P1Y1 | |
| C165 | | | CQ93FMG1H682J | MYLAR 6800PF J | M1X1X2 | |
| C165 | | | CQ93FMG1H682J | MYLAR 6800PF J | M3X3 | |
| C166 | | | CK45FB1H223Z | CERAMIC 0.022UF Z | M2 | |
| C167 | | | CQ93FMG1H471J | MYLAR 470PF J | M2 | |
| C169 | | | C91-0085-05 | CERAMIC 0.022UF N | M2 | |
| C170 | | | C91-0769-05 | CERAMIC 0.010UF K | M2 | |
| C171 | | | CK45FB1H104Z | CERAMIC 0.10UF Z | K1P1Y1 | |
| C171 | | | CK45FB1H104Z | CERAMIC 0.10UF Z | M1X1X2 | |
| C171 | | | CK45FB1H104Z | CERAMIC 0.10UF Z | M3X3 | |
| C171 | | | CK45FB1H223Z | CERAMIC 0.022UF Z | M2 | |
| C174,175 | | | CQ92FM1H682J | MYLAR 6800PF J | M2 | |
| C201 | | | CK45FB1H561K | CERAMIC 560PF K | M2 | |
| C202 | | | CQ09S1H472J | POLYSTY 4700PF J | M2 | |
| C204 | | | C91-0085-05 | CERAMIC 0.022UF N | M2 | |
| C205 | | | CE04KW1C470M | ELECTRO 47UF 16WV | M2 | |
| C207 | | | CE04KW1C470M | ELECTRO 47UF 16WV | | |
| C208 | | | C91-0769-05 | CERAMIC 0.010UF K | | |
| C209 | | | C91-0745-05 | CERAMIC 100PF K | | |
| C210-212 | | | C91-0745-05 | CERAMIC 100PF K | | |
| C212 | | | C91-0085-05 | CERAMIC 0.022UF N | M2 | |
| C213,214 | | | CC45FCH1H240J | CERAMIC 24PF J | K1P1Y1 | |
| C213,214 | | | CC45FCH1H240J | CERAMIC 24PF J | M1X1X2 | |
| C213,214 | | | CC45FCH1H240J | CERAMIC 24PF J | M3X3 | |
| C213,214 | | | CC45FCH1H270J | CERAMIC 27PF J | M2 | |
| C215 | | | CE04KW1C220M | ELECTRO 22UF 16WV | | |
| C216 | | | C91-0085-05 | CERAMIC 0.022UF N | M2 | |
| C217 | | | C91-0085-05 | CERAMIC 0.022UF N | M2 | |
| C220 | | | C91-0749-05 | CERAMIC 220PF K | | |
| C221-223 | | | C91-0749-05 | CERAMIC 220PF K | K1P1Y1 | |
| C221-223 | | | C91-0749-05 | CERAMIC 220PF K | | |
| C221-223 | | | C91-0749-05 | CERAMIC 220PF K | | |
| TC101,102 | | * | C05-0238-08 | TRIMMER CON 10PS TZ-03N100TR | | |
| TC201 | | * | C05-0238-08 | TRIMMER CON 10PS TZ-03N100TR | M2 | |
| CN101 | | * | E40-8336-08 | PIN ASSY (10P) | | |
| JK101 | | | E70-0070-08 | ANTENNA TERMINAL (4P) | | |
| CF101 | | | L72-0591-08 | CERAMIC F SFE10.7MA5 RED | | |
| CF102 | | | L72-0586-08 | CERAMIC F SFE10.7MSG3GYM RED | | |
| CF103 | | | L72-0587-08 | CERAMIC F SFZ450B | | |
| CF104 | | | L78-0651-08 | RESONATOR CDA10.7MG43-A | | |
| CF105 | | | L78-0641-08 | RESONATOR CSB456F15 | | |
| L101 | | | L31-0622-08 | FM ANT COIL PC-8474-1 | | |
| L102 | | | L31-0623-08 | FM RF COIL PC-8867 | | |
| L103 | | | L32-0584-08 | FM OSC COIL R22-F036X ORG | | |

L: Scandinavia K: USA P: Canada R: Mexico C: China I: Malaysia
 Y: PX(Far East, Hawaii) T: Europe E: Europe G: Germany V: China (Shanghai) B: BLACK S: SILVER H: GRAY
 Y: AAFES(Europe) X: Australia Q: Russia H: Korea M: Other Areas Δ indicates safety critical components.

* New Parts

Parts without **Parts No.** are not supplied.

Les articles non mentionnés dans le **Parts No.** ne sont pas fournis.

Teile ohne **Parts No.** werden nicht geliefert.

8

| Ref. No | Add-ress | New Parts | Parts No. | Description | Desti-nation | Re-marks |
|--------------------------------------|----------|-----------|--------------|-------------------------------|--------------|----------|
| L104 | | | L31-0618-08 | AM ANT COIL TWS-358-762 | | |
| L105 | | | L32-0581-08 | MW OSC COIL TWS-358-751 | | |
| L106 | | | L39-1340-08 | INDUCTANCE 473K | M2 | |
| L107,108 | | | L39-1340-08 | INDUCTANCE 473K | | |
| L201 | | * | L31-0634-08 | SW ANT COIL | M2 | |
| L202 | | * | L32-1005-08 | SW OSC COIL | M2 | |
| L203 | | | L39-1344-08 | P. COIL 470K-T | | |
| L204 | | | L39-1340-08 | INDUCTANCE 473K | M2 | |
| L205 | | | L39-1344-08 | P. COIL 470K-T | M2 | |
| T101 | | | L30-0926-08 | FM IFT TWS-358-412 | | |
| T102 | | | L30-0922-08 | AM IFT R22-E792 | | |
| X201 | | * | L77-2243-08 | X' TAL(7.2MHZ) | | |
| R130 | | | RS14GB2H101J | FL-PROOF RS 100 J 1/2W | M2 | |
| R130 | | * | RD14GB2H151J | RD 150 J 1/2W | K1P1Y1 | |
| R130 | | * | RD14GB2H151J | RD 150 J 1/2W | M1X1X2 | |
| R130 | | * | RD14GB2H151J | RD 150 J 1/2W | M3X3 | |
| D101,102 | | | 1SS133T | DIODE | | |
| D105 | | | 1SS133T | DIODE | | |
| D106 | | * | KV1340A-2 | DIODE | | |
| D108 | | * | KV1561A-2 | DIODE | | |
| D110 | | | MTZ5.6B | ZENER DIODE | K1P1Y1 | |
| D110 | | | MTZ5.6B | ZENER DIODE | M1X1X2 | |
| D110 | | | MTZ5.6B | ZENER DIODE | M3X3 | |
| D110 | | | MTZ6.2B | ZENER DIODE | M2 | |
| D111,112 | | | 1SS133T | DIODE | K1P1Y1 | |
| D111,112 | | | 1SS133T | DIODE | M1X1X2 | |
| D111,112 | | | 1SS133T | DIODE | M3X3 | |
| D202 | | | 1SS133T | DIODE | | |
| IC101 | | | LA1186N | IC | | |
| IC102 | | | LA1831 | IC(AM/FM TUNER) | | |
| IC201 | | | LC7218 | IC(PLL FREQUENCY SYNTHESIZER) | | |
| Q100 | | | 2SC2001L | TRANSISTOR | M2 | |
| Q101 | | | 2SC1675(L) | TRANSISTOR | | |
| Q102 | | | 2SC1674(L) | TRANSISTOR | | |
| Q105 | | | DTA114YS | TRANSISTOR | | |
| Q106 | | * | 2SK544F-T | FET | | |
| Q107,108 | | | 2SC945 | TRANSISTOR | | |
| Q109 | | | DTC114YS | TRANSISTOR | | |
| Q110-111 | | | DTC114YS | TRANSISTOR | M1Y1M3 | |
| Q110-111 | | | 2SC2878A | TRANSISTOR | M2 | |
| Q112 | | | 2SC2878A | TRANSISTOR | M2 | |
| Q113 | | | DTA144ES | TRANSISTOR | M2 | |
| Q114 | | | 2SC2001L | TRANSISTOR | M2 | |
| Q115,116 | | | DTC114YS | TRANSISTOR | M2 | |
| Q201 | | | DTA144ES | TRANSISTOR | M2 | |
| Q202,203 | | | 2SC2878A | TRANSISTOR | M2 | |
| TUNER UNIT (E1T1Q1E2T2Q2E3E4) | | | | | | |
| FE101 | | * | W02-2681-08 | FM FRONT END | E1E2E3 | |
| FE101 | | * | W02-2681-08 | FM FRONT END | E4T1T2 | |
| FE101 | | * | W02-2682-08 | FM FRONT END | Q1Q2 | |
| C101 | | | CE04KW1C101M | ELECTRO 100UF 16WV | | |
| C102 | | | CK45FB1H102K | CERAMIC 1000PF K | | |
| C103 | | | CK45FB1H104K | CERAMIC 0.10UF K | | |
| C106,107 | | | CK45FB1E223Z | CERAMIC 0.022UF Z | | |

L: Scandinavia K: USA P: Canada R: Mexico C: China I: Malaysia
 Y: PX(Far East, Hawaii) T: Europe E: Europe G: Germany V: China (Shanghai) B: BLACK S: SILVER H: GRAY
 Y: AAFES(Europe) X: Australia Q: Russia H: Korea M: Other Areas Δ indicates safety critical components.

PARTS LIST

RXD-251/301/351/371S/A3

* New Parts
Parts without **Parts No.** are not supplied.
Les articles non mentionnés dans le **Parts No.** ne sont pas fournis.
Teile ohne **Parts No.** werden nicht geliefert.

9

| Ref. No | Add-ress | New Parts | Parts No. | Description | Desti-nation | Re-marks |
|-----------|----------|-----------|---------------|----------------------|--------------|----------|
| C108 | | | CK45FB1C103K | CERAMIC 0.010UF K | | |
| C111,112 | | | CK45FB1C152K | CERAMIC 1500PF K | | |
| C114 | | | CK45FB1H104Z | CERAMIC 0.10UF Z | | |
| C116 | | | CQ93FMG1H471J | MYLAR 470PF J | | |
| C117 | | | CC45FSL1H200J | CERAMIC 20PF J | | |
| C118 | | | CE04KW1C101M | ELECTRO 100UF 16WV | | |
| C121 | | | CC45FSL1H150J | CERAMIC 15PF J | | |
| C122 | | | CE04KW1H2R2M | ELECTRO 2.2UF 50WV | | |
| C123 | | | CE04KW1H010M | ELECTRO 1.0UF 50WV | | |
| C124 | | | CC45FSL1H200J | CERAMIC 20PF J | | |
| C125 | | | CE04KW1H010M | ELECTRO 1.0UF 50WV | | |
| C126 | | | CK45FB1H473Z | CERAMIC 0.047UF Z | | |
| C127 | | | CE04KW1H100M | ELECTRO 10UF 50WV | | |
| C128 | | | CK45FB1E223Z | CERAMIC 0.022UF Z | | |
| C129 | | | CE04KW1H010M | ELECTRO 1.0UF 50WV | | |
| C130,131 | | | CQ92FM1H153J | MYLAR 0.015UF J | | |
| C132,133 | | | CQ92FM1H102J | MYLAR 1000PF J | | |
| C135 | | | CE04KW1H3R3M | ELECTRO 3.3UF 50WV | | |
| C137 | | | CE04KW1HR47M | ELECTRO 0.47UF 50WV | | |
| C138 | | | CK45FB1C103K | CERAMIC 0.010UF K | | |
| C139 | | | CK45FB1E223Z | CERAMIC 0.022UF Z | | |
| C140 | | | CE04KW1C101M | ELECTRO 100UF 16WV | | |
| C141 | | | CK45FB1E223Z | CERAMIC 0.022UF Z | | |
| C142 | | | CE04KW1C101M | ELECTRO 100UF 16WV | | |
| C143 | | | CE04KW1HR47M | ELECTRO 0.47UF 50WV | | |
| C144 | | | CK45FB1E223Z | CERAMIC 0.022UF Z | | |
| C145 | | | CC45FSL1H560J | CERAMIC 56PF J | | |
| C147 | | | CK45FB1E223Z | CERAMIC 0.022UF Z | | |
| C148 | | | CK45FB1H104Z | CERAMIC 0.10UF Z | | |
| C149 | | | CK45FB1E223Z | CERAMIC 0.022UF Z | | |
| C150 | | | CK45FB1H104Z | CERAMIC 0.10UF Z | | |
| C151 | | | CK45FB1H181K | CERAMIC 180PF K | | |
| C152 | | | CK45FB1E122K | CERAMIC 1200PF K | | |
| C153 | | | CK45FB1E223Z | CERAMIC 0.022UF Z | | |
| C154 | | | CK45FB1C103K | CERAMIC 0.010UF K | | |
| C156 | | | CC45FCH1H100J | CERAMIC 10PF J | | |
| C157 | | | CK45FB1H102K | CERAMIC 1000PF K | | |
| C160 | | | CK45FB1E223Z | CERAMIC 0.022UF Z | | |
| C161,162 | | | CE04KW1H010M | ELECTRO 1.0UF 50WV | | |
| C201,202 | | | CK45FB1E223Z | CERAMIC 0.022UF Z | T1T2 | |
| C203 | | | CQ93FMG1H181J | MYLAR 180PF J | T1T2 | |
| C204 | | | CC45FCH1H100J | CERAMIC 10PF J | T1T2 | |
| C205 | | | CK45FB1E223Z | CERAMIC 0.022UF Z | T1T2 | |
| C206 | | | CC45FCH1H100J | CERAMIC 10PF J | T1T2 | |
| C207 | | | CE04KW1C470M | ELECTRO 47UF 16WV | | |
| C208 | | | CK45FB1C103K | CERAMIC 0.010UF K | | |
| C209-212 | | | CK45FB1H101K | CERAMIC 100PF K | | |
| C213,214 | | | CC45FSL1H240J | CERAMIC 24PF J | | |
| C215 | | | CE04KW1C220M | ELECTRO 22UF 16WV | | |
| C220 | | | CK45FB1H221K | CERAMIC 220PF K | | |
| TC102 | | * | C05-0238-08 | TRIMMER 10P | | |
| TC201,202 | | * | C05-0239-08 | TRIMMER 30P | T1T2 | |
| CN101 | | * | E40-8336-08 | PIN ASSY(10P) | | |
| JK101 | | * | E20-0321-05 | ANTENNA TERMINAL(3P) | | |

L : Scandinavia K : USA P : Canada R : Mexico C : China I : Malaysia
Y : PX(Far East, Hawaii) T : Europe E : Europe G : Germany V : China (Shanghai) B : BLACK S : SILVER H : GRAY
Y : AAFES(Europe) X : Australia Q : Russia H : Korea M : Other Areas Δ indicates safety critical components.

* New Parts
Parts without **Parts No.** are not supplied.
Les articles non mentionnés dans le **Parts No.** ne sont pas fournis.
Teile ohne **Parts No.** werden nicht geliefert.

10

| Ref. No | Add-ress | New Parts | Parts No. | Description | Desti-nation | Re-marks |
|-------------------|----------|-----------|--------------|-------------------------------|--------------|----------|
| TP1 ,2 | | | E40-8111-08 | 40P PIN HEADER | | |
| CF103 | | | L72-0587-08 | CERAMIC F | | |
| CF104 | | | L78-0651-08 | RESONATOR | | |
| CF105 | | | L78-0641-08 | RESONATOR | | |
| L102,103 | | | L39-1334-08 | COIL | | |
| L104 | | | L31-0618-08 | AM ANT COIL | | |
| L105 | | | L32-0581-08 | MW OSC COIL | | |
| L106 | | | L39-1334-08 | COIL | | |
| L107,108 | | | L39-1340-08 | INDUCTANCE | | |
| L110 | | | L39-1332-08 | COIL | | |
| L201 | | * | L31-0635-08 | ANT COIL | | T1T2 |
| L202 | | | L32-0581-08 | COIL(CHOKE) 470UH | | E1E2E3 |
| L202 | | | L32-0581-08 | COIL(CHOKE) 470UH | | E4Q1Q2 |
| L202 | | * | L32-1008-08 | OSC COIL | | T1T2 |
| L203 | | | L39-1344-08 | COIL | | |
| SF101,102 | | * | L72-0615-08 | C.FILTER | | |
| T101 | | | L79-1229-08 | FTZ L.P.F | | |
| T102 | | | L30-0922-08 | AM IFT | | |
| X201 | | * | L77-2243-08 | CRYSTAL | | |
| R103 | | * | RD14GB2H330J | RD 33 J 1/2W | | Q1Q2 |
| R103 | | * | RD14GB2H680J | RD 68 J 1/2W | | E1E2E3 |
| R103 | | * | RD14GB2H680J | RD 68 J 1/2W | | E4T1T2 |
| R130 | | * | RD14GB2H151J | RD 150 J 1/2W | | |
| D101,102 | | | 1SS133T-77 | DIODE | | |
| D108 | | * | KV1561A-2 | DIODE | | |
| D110 | | | MTZ5.6B | ZENER DIODE | | |
| D111,112 | | | 1SS133T-77 | DIODE | | |
| D201 | | | 1SS133T-77 | DIODE | | T1T2 |
| D202 | | | 1SS133T-77 | DIODE | | |
| IC102 | | | LA1831A-KEN | IC(AM/FM/MPX SYSTEM IC) | | |
| IC201 | | | LC7218 | IC(PLL FREQUENCY SYNTHESIZER) | | |
| Q101 | | | 2SC1675(L) | TRANSISTOR | | |
| Q105 | | | DTA114YS | TRANSISTOR | | |
| Q106 | | * | 2SK544F-T | TRANSISTOR | | |
| Q107,108 | | | 2SC945 | TRANSISTOR | | |
| Q109 | | | DTC114YS | TRANSISTOR | | |
| Q201 | | | 2SA733 | TRANSISTOR | | T1T2 |
| Q202 | | | 2SC945 | TRANSISTOR | | T1T2 |
| Q203,204 | | | 2SC2001(L) | TRANSISTOR | | T1T2 |
| Q205 | | | 2SC945 | TRANSISTOR | | T1T2 |
| AUDIO UNIT | | | | | | |
| C201,202 | | | CK45FB1H221K | CERAMIC 220PF K | | |
| C203,204 | | | CK45FB1H681K | CERAMIC 680PF K | | |
| C205,206 | | | CK45FB1H221K | CERAMIC 220PF K | | |
| C207,208 | | | CE04KW1C470M | ELECTRO 47UF 16WV | | |
| C209,210 | | | CQ92FM1H103J | MYLAR 0.010UF J | | |
| C211,212 | | | CE04KW1H1R0M | ELECTRO 1.0UF 50WV | | |
| C213,214 | | | CK45FB1C152K | CERAMIC 1500PF K | | |
| C215,216 | | | C91-0758-05 | CERAMIC 1200PF M | | |
| C217,218 | | | CK45FB1H221K | CERAMIC 220PF K | | |
| C219,220 | | | CE04KW1H3R3M | ELECTRO 3.3UF 50WV | | |
| C221,222 | | | CE04KW1C470M | ELECTRO 47UF 16WV | | |
| C223,224 | | | CK45FB1H102K | CERAMIC 1000PF K | | |

L : Scandinavia K : USA P : Canada R : Mexico C : China I : Malaysia
Y : PX(Far East, Hawaii) T : Europe E : Europe G : Germany V : China (Shanghai) B : BLACK S : SILVER H : GRAY
Y : AAFES(Europe) X : Australia Q : Russia H : Korea M : Other Areas Δ indicates safety critical components.

* New Parts

Parts without **Parts No.** are not supplied.
Les articles non mentionnés dans le **Parts No.** ne sont pas fournis.
Teile ohne **Parts No.** werden nicht geliefert.

11

| Ref. No | Add-ress | New Parts | Parts No. | Description | Desti-nation | Re-marks |
|----------|----------|-----------|---------------|---------------------|--------------|----------|
| C225 | | | CE04KW1H3R3M | ELECTRO 3.3UF 50WV | | |
| C226 | | | CE04KW1H3R3M | ELECTRO 3.3UF 50WV | | |
| C227 | | | CE04KW1C470M | ELECTRO 47UF 16WV | | |
| C228 | | | CE04KW1H100M | ELECTRO 10UF 50WV | | |
| C230 | | | CQ93FMG2A153J | MYLAR 0.015UF J | | |
| C231 | | | CQ92FM1H103J | MYLAR 0.010UF J | | |
| C232 | | | CQ92FM1H472J | MYLAR 4700PF J | | |
| C233 | | | CQ92FM1H223J | MYLAR 0.022UF J | | |
| C234 | | | CE04KW1C470M | ELECTRO 47UF 16WV | | |
| C235 | | | CK45FB1E223Z | CERAMIC 0.022UF Z | | |
| C236 | | | CE04KW1C221M | ELECTRO 220UF 16WV | | |
| C237 | | | CE04KW1C331M | ELECTRO 330UF 16WV | | |
| C238 | | | CE04KW1H3R3M | ELECTRO 3.3UF 50WV | | |
| C239,240 | | | CK45FB1H681K | CERAMIC 680PF K | | |
| C241 | | | CE04KW1A101M | ELECTRO 100UF 10WV | | |
| C242 | | | CE04KW1HR47M | ELECTRO 0.47UF 50WV | E1E2E3 | |
| C242 | | | CE04KW1HR47M | ELECTRO 0.47UF 50WV | E4T1T2 | |
| C242 | | | CE04KW1HR47M | ELECTRO 0.47UF 50WV | M1M2X1 | |
| C242 | | | CE04KW1HR47M | ELECTRO 0.47UF 50WV | Q1Q2X3 | |
| C243 | | | CE04KW1H2R2M | ELECTRO 2.2UF 50WV | | |
| C244 | | | CK45FB1E223Z | CERAMIC 0.022UF Z | | |
| C245 | | * | CQ93FMG2A332J | MYLAR 3300PF J | | |
| C246 | | | CK45FB1E223Z | CERAMIC 0.022UF Z | | |
| C301,302 | | | CE04KW1HR22M | ELECTRO 0.22UF 50WV | M1M2X1 | |
| C301,302 | | | CE04KW1HR22M | ELECTRO 0.22UF 50WV | X3 | |
| C305 | | | CE04KW1H4R7M | ELECTRO 4.7UF 50WV | M1M2X1 | |
| C305 | | | CE04KW1H4R7M | ELECTRO 4.7UF 50WV | X3 | |
| C306 | | | CE04KW1H100M | ELECTRO 10UF 50WV | M1M2X1 | |
| C306 | | | CE04KW1H100M | ELECTRO 10UF 50WV | X3 | |
| C307 | | | CE04KW1C100M | ELECTRO 10UF 16WV | M1M2X1 | |
| C307 | | | CE04KW1C100M | ELECTRO 10UF 16WV | X3 | |
| C308 | | | CE04KW1HR22M | ELECTRO 0.22UF 50WV | M1M2X1 | |
| C308 | | | CE04KW1HR22M | ELECTRO 0.22UF 50WV | X3 | |
| C309 | | | CE04KW1H100M | ELECTRO 10UF 50WV | M1M2X1 | |
| C309 | | | CE04KW1H100M | ELECTRO 10UF 50WV | X3 | |
| C311 | | | CE04KW1C221M | ELECTRO 220UF 16WV | M1M2X1 | |
| C311 | | | CE04KW1C221M | ELECTRO 220UF 16WV | X3 | |
| C313,314 | | | CE04KW1HR47M | ELECTRO 0.47UF 50WV | M1M2X1 | |
| C313,314 | | | CE04KW1HR47M | ELECTRO 0.47UF 50WV | X3 | |
| C315 | | | CE04KW1H471M | ELECTRO 470UF 50WV | M1M2X1 | |
| C316 | | | CE04KW1H010M | ELECTRO 1.0UF 50WV | X3 | |
| C317 | | | CK45FB1H104Z | CERAMIC 0.10UF Z | M1M2X1 | |
| C317 | | | CK45FB1H104Z | CERAMIC 0.10UF Z | X3 | |
| C319 | | | CK45FB1H392K | CERAMIC 3900PF K | M1M2X1 | |
| C319 | | | CK45FB1H392K | CERAMIC 3900PF K | X3 | |
| C320 | | | CE04KW1H010M | ELECTRO 1.0UF 50WV | M1M2X1 | |
| C320 | | | CE04KW1H010M | ELECTRO 1.0UF 50WV | X3 | |
| C321 | | | CK45FB1E472K | CERAMIC 4700PF K | M1M2X1 | |
| C321 | | | CK45FB1E472K | CERAMIC 4700PF K | X3 | |
| C401,402 | | | CK45FB1H331K | CERAMIC 330PF K | | |
| C403,404 | | | CK45FB1H471K | CERAMIC 470PF K | | |
| C405 | | | C91-1525-08 | CERAMIC 0.1UF Z | | |
| C406,407 | | | CE04KW1H4R7M | ELECTRO 4.7UF 50WV | | |
| C408-413 | | | CE04KW1HR47M | ELECTRO 0.47UF 50WV | | |
| C414,415 | | | CC45FSL1H100J | CERAMIC 10PF J | | |

L : Scandinavia K : USA P : Canada R : Mexico C : China I : Malaysia
Y : PX(Far East, Hawaii) T : Europe E : Europe G : Germany V : China (Shanghai) B : BLACK S : SILVER H : GRAY
Y : AAFES(Europe) X : Australia Q : Russia H : Korea M : Other Areas Δ indicates safety critical components.

* New Parts

Parts without **Parts No.** are not supplied.
Les articles non mentionnés dans le **Parts No.** ne sont pas fournis.
Teile ohne **Parts No.** werden nicht geliefert.

12

| Ref. No | Add-ress | New Parts | Parts No. | Description | Desti-nation | Re-marks |
|----------|----------|-----------|--------------|---------------------|--------------|----------|
| C416,417 | | | CK45FB1H471K | CERAMIC 470PF K | | |
| C418,419 | | | CQ92FM1H562J | MYLAR 5600PF J | | |
| C420,421 | | | CK45FB1H471K | CERAMIC 470PF K | | |
| C422,423 | | | CK45FB1H102K | CERAMIC 1000PF K | | |
| C424 | | | CE04KW1HR47M | ELECTRO 0.47UF 50WV | K1P1Y1 | |
| C424 | | | CE04KW1HR47M | ELECTRO 0.47UF 50WV | M3X2 | |
| C426,427 | | | CK45FB1C152K | CERAMIC 1500PF K | | |
| C428,429 | | | CQ92FM1H183J | MYLAR 0.018UF J | | |
| C430,431 | | | CK45FB1H681K | CERAMIC 680PF K | | |
| C432,433 | | | C91-0767-05 | CERAMIC 6800PF M | | |
| C434 | | | CE04KW1C221M | ELECTRO 220UF 16WV | | |
| C435-438 | | | CE04KW1HR47M | ELECTRO 0.47UF 50WV | | |
| C439,440 | | | CK45FB1H471K | CERAMIC 470PF K | | |
| C441,442 | | | CE04KW1H1R0M | ELECTRO 1.0UF 50WV | | |
| C443 | | | CE04KW1C101M | ELECTRO 100UF 16WV | | |
| C444 | | | CE04KW1H100M | ELECTRO 10UF 50WV | | |
| C445 | | | CE04KW1A221M | ELECTRO 220UF 10WV | | |
| C446,447 | | | CE04KW1H1R0M | ELECTRO 1.0UF 50WV | | |
| C448 | | | CE04KW1C221M | ELECTRO 220UF 16WV | | |
| C449 | | | CE04KW1H100M | ELECTRO 10UF 50WV | | |
| C450,451 | | | CQ92FM1H472J | MYLAR 4700PF J | M1X1Y1 | |
| C450,451 | | | CQ92FM1H472J | MYLAR 4700PF J | M2 | |
| C452,453 | | | C91-1525-08 | CERAMIC 0.1UF Z | | |
| C454,455 | | | CE04KW1H2R2M | ELECTRO 2.2UF 50WV | | |
| C456,457 | | | CE04KW1H100M | ELECTRO 10UF 50WV | | |
| C458 | | | CK45FB1H101K | CERAMIC 100PF K | | |
| C461 | | | CK45FB1H101K | CERAMIC 100PF K | | |
| C462-465 | | | CE04KW1H2R2M | ELECTRO 2.2UF 50WV | | |
| C479,480 | | | CE04KW1C101M | ELECTRO 100UF 16WV | | |
| C481,482 | | | C91-1525-08 | CERAMIC 0.1UF Z | | |
| C483,484 | | | CK45FB1H151K | CERAMIC 150PF K | | |
| C485 | | | CE04KW1HR47M | ELECTRO 0.47UF 50WV | | |
| C501,502 | | | CK45FB1H102K | CERAMIC 1000PF K | | |
| C503,504 | | | CE04KW1E470M | ELECTRO 47UF 25WV | | |
| C505 | | | CE04KW1H101M | ELECTRO 100UF 50WV | | |
| C506 | | | C91-1525-08 | CERAMIC 0.1UF Z | | |
| C507 | | | CE04KW1H101M | ELECTRO 100UF 50WV | | |
| C508,509 | | | CE04KW1H221M | ELECTRO 220UF 50WV | | |
| C510 | | | C91-1525-08 | CERAMIC 0.1UF Z | | |
| C511,512 | | | C91-0717-05 | CERAMIC 4.7PF K | | |
| C513,514 | | | CQ92FM1H104J | MYLAR 0.10UF J | | |
| C515,516 | | | CK45FB1E223Z | CERAMIC 0.022UF Z | | |
| C517 | | | CE04KW1H101M | ELECTRO 100UF 50WV | | |
| C518 | | | CE04KW1H1R0M | ELECTRO 1.0UF 50WV | | |
| C519 | | | CE04KW1C470M | ELECTRO 47UF 16WV | | |
| C520 | | | CK45FB1C103K | CERAMIC 0.010UF K | | |
| C521 | | | CE04KW1C101M | ELECTRO 100UF 16WV | | |
| C522 | | | CK45FB1E223Z | CERAMIC 0.022UF Z | | |
| C523 | | | CE04KW1H4R7M | ELECTRO 4.7UF 50WV | | |
| C524 | | | CE04KW1C101M | ELECTRO 100UF 16WV | | |
| C525,526 | | | CK45FB1H102K | CERAMIC 1000PF K | E1E2E3 | |
| C525,526 | | | CK45FB1H102K | CERAMIC 1000PF K | E4T1T2 | |
| C525,526 | | | CK45FB1H102K | CERAMIC 1000PF K | Q1Q2 | |
| C527,528 | | | CK45FB1H102K | CERAMIC 1000PF K | | |
| C529 | | | CE04KW1H4R7M | ELECTRO 4.7UF 50WV | | |

L : Scandinavia K : USA P : Canada R : Mexico C : China I : Malaysia
Y : PX(Far East, Hawaii) T : Europe E : Europe G : Germany V : China (Shanghai) B : BLACK S : SILVER H : GRAY
Y : AAFES(Europe) X : Australia Q : Russia H : Korea M : Other Areas Δ indicates safety critical components.

PARTS LIST

RXD-251/301/351/371S/A3

* New Parts
Parts without **Parts No.** are not supplied.
Les articles non mentionnés dans le **Parts No.** ne sont pas fournis.
Teile ohne **Parts No.** werden nicht geliefert.

13

| Ref. No | Add-ress | New Parts | Parts No. | Description | Desti-nation | Re-marks |
|----------|----------|-----------|--------------|---------------------|--------------|----------|
| C530 | | | C91-1525-08 | CERAMIC 0.1UF Z | | |
| C531 | | | CE04KW1H1R0M | ELECTRO 1.0UF 50WV | | |
| C532 | | | CE04HW1HR47M | NP-ELEC 0.47UF 50WV | | |
| C541,542 | | | CK45FB1H102K | CERAMIC 1000PF K | | |
| C681-684 | | | CE04KW1H100M | ELECTRO 10UF 50WV | K1P1 | |
| C685-687 | | | CK45FB1H104Z | CERAMIC 0.10UF Z | K1P1 | |
| C701,702 | | | CE04KW1H332M | ELECTRO 3300UF 50WV | E1E2E3 | |
| C701,702 | | | CE04KW1H332M | ELECTRO 3300UF 50WV | E4T1T2 | |
| C701,702 | | | CE04KW1H332M | ELECTRO 3300UF 50WV | K1P1 | |
| C701,702 | | | CE04KW1H332M | ELECTRO 3300UF 50WV | M3X2X3 | |
| C701,702 | | | CE04KW1H332M | ELECTRO 3300UF 50WV | Q1Q2 | |
| C701,702 | | | CE04KW1H472M | ELECTRO 4700UF 50WV | M1M2X1 | |
| C701,702 | | | CE04KW1H472M | ELECTRO 4700UF 50WV | Y1 | |
| C703-706 | | | CK45FB1E103Z | CERAMIC 0.010UF Z | | |
| C707-710 | | | C91-1525-08 | CERAMIC 0.1UF Z | | |
| C711 | | | CE04KW1C471M | ELECTRO 470UF 16WV | | |
| C712 | | | CK45FB1E223Z | CERAMIC 0.022UF Z | | |
| C713 | | | CE04KW1C101M | ELECTRO 100UF 16WV | | |
| C714 | | | CK45FB1E223Z | CERAMIC 0.022UF Z | | |
| C715 | | | CE04KW1C471M | ELECTRO 470UF 16WV | | |
| C716 | | | CK45FB1E223Z | CERAMIC 0.022UF Z | | |
| C718 | | | CK45FB1E223Z | CERAMIC 0.022UF Z | | |
| C719 | | | CE04KW1C101M | ELECTRO 100UF 16WV | | |
| C720 | | | CK45FB1E223Z | CERAMIC 0.022UF Z | | |
| C721,722 | | | CE04KW1C101M | ELECTRO 100UF 16WV | | |
| C723 | | | CK45FB1E223Z | CERAMIC 0.022UF Z | | |
| C724 | | | CE04KW1C471M | ELECTRO 470UF 16WV | | |
| C725 | | | CE04KW1E221M | ELECTRO 220UF 25WV | | |
| C726 | | | CE04KW1E222M | ELECTRO 2200UF 25WV | | |
| C727 | | | CE04KW1E470M | ELECTRO 47UF 25WV | | |
| C728-731 | | | CK45FB1E223Z | CERAMIC 0.022UF Z | | |
| C732 | | | CE04KW1C470M | ELECTRO 47UF 16WV | | |
| C733 | | | CE04KW1C471M | ELECTRO 470UF 16WV | | |
| C734 | | | CK45FB1E223Z | CERAMIC 0.022UF Z | | |
| C735 | | | CE04KW1H1R0M | ELECTRO 1.0UF 50WV | | |
| C736 | | | CE04KW1C101M | ELECTRO 100UF 16WV | | |
| C741 | | | C91-1525-08 | CERAMIC 0.1UF Z | | |
| CN201 | | | E40-3247-05 | PIN ASSY(3P) | | |
| CN202 | | | E40-3249-05 | PIN ASSY(5P) | | |
| CN203 | | | E40-3246-05 | PIN ASSY(2P) | | |
| CN205 | | | E40-9861-08 | PIN ASSY(8P) | | |
| CN301 | | * | E40-8350-08 | PIN ASSY(17P) | | |
| CN302 | | * | E40-8334-08 | PIN ASSY(3P) | M1X1M2 | |
| CN302 | | * | E40-8334-08 | PIN ASSY(3P) | X3 | |
| CN402 | | * | E40-8351-08 | PIN ASSY(6P) | | |
| CN403 | | * | E40-8335-08 | PIN ASSY(4P) | M1X1M2 | |
| CN403 | | * | E40-8335-08 | PIN ASSY(4P) | X3 | |
| CN605 | | * | E40-8351-08 | PIN ASSY(6P) | | |
| CN701 | | * | E40-8352-08 | PIN ASSY(6P) | | |
| JK301 | | * | E11-0387-08 | JACK(MIC) | M1X1M2 | |
| JK301 | | * | E11-0387-08 | JACK(MIC) | X3 | |
| JK302 | | * | E11-0387-08 | JACK(MIC) | M1X1M2 | |
| JK302 | | * | E11-0387-08 | JACK(MIC) | X3 | |
| JK401 | | * | E63-1073-08 | PHONO JACK(2P) | | |

L : Scandinavia K : USA P : Canada R : Mexico C : China I : Malaysia
Y : PX(Far East, Hawaii) T : Europe E : Europe G : Germany V : China (Shanghai) B : BLACK S : SILVER H : GRAY
Y : AAFES(Europe) X : Australia Q : Russia H : Korea M : Other Areas Δ indicates safety critical components.

* New Parts
Parts without **Parts No.** are not supplied.
Les articles non mentionnés dans le **Parts No.** ne sont pas fournis.
Teile ohne **Parts No.** werden nicht geliefert.

14

| Ref. No | Add-ress | New Parts | Parts No. | Description | Desti-nation | Re-marks |
|------------|----------|-----------|--------------|---------------------------|--------------|----------|
| JK501 | | * | E70-0108-08 | LOCK TERMINAL BOARD(4P) | | |
| JK502 | | * | E11-0386-08 | JACK(H/P) | | |
| JK601 | | * | E63-1074-08 | PIN JACK(1P) | K1P1 | |
| Δ F701 | | | F04-2025-05 | FUSE T2AL250V | | K1P1 |
| Δ F701 | | | F06-2021-05 | FUSE T2AL250V | | E1E2E3 |
| Δ F701 | | | F06-2021-05 | FUSE T2AL250V | | M1M2M3 |
| Δ F701 | | | F06-2021-05 | FUSE T2AL250V | | Q1Q2Y1 |
| Δ F701 | | | F06-2021-05 | FUSE T2AL250V | | T1T2E4 |
| Δ F701 | | | F06-2021-05 | FUSE T2AL250V | | X1X2X3 |
| Δ F702 | | | F05-1623-05 | FUSE T1.6AL250V | | E1E2E3 |
| Δ F702 | | | F05-1623-05 | FUSE T1.6AL250V | | Q1Q2X3 |
| Δ F702 | | | F05-1623-05 | FUSE T1.6AL250V | | T1T2E4 |
| Δ F702 | | | F05-3121-05 | FUSE T3.15AL250V | | M3 |
| Δ F702 | | | F06-2021-05 | FUSE T2AL250V | | X1 |
| Δ F702 | | | F06-3027-05 | FUSE T3AL250V | | K1K2 |
| Δ F703 | | | F05-4025-05 | FUSE T4AL250V | | M1M2Y1 |
| Δ F703 | | | F06-2021-05 | FUSE T2AL250V | | M1M2Y1 |
| Δ F703 | | | F06-2021-05 | FUSE T2AL250V | | M3 |
| L201 | | * | L32-1007-08 | COIL(BIAS OSC) | | |
| L201 | | * | L32-1007-08 | COIL(BIAS OSC) | | |
| L202 | | * | L39-1375-08 | COIL(CHOKE 470UH) | | |
| L501,502 | | * | L39-1341-08 | COIL(SPRING) 1.0UH | | |
| Δ R485,486 | | | RD14BB2E221J | RD 220 J 1/4W | | |
| Δ R507 | | | RD14BB2E101J | RD 100 J 1/4W | | |
| Δ R509 | | | RS14GB2H101J | FL-PROOF RS 100 J 1/2W | | |
| R527,528 | | * | R92-1913-08 | WIRE WOUND 0.1 K 2D | | |
| R529,530 | | * | RD14GB2H4R7J | RD 4.7 J 1/2W | | |
| R533,534 | | * | RD14GB2H4R7J | RD 4.7 J 1/2W | | |
| R535,536 | | * | RS14GB3A271J | FL-PROOF RS 270 J 1W | | |
| R537,538 | | * | RD14GB2H680J | RD 68 J 1/2W | | |
| Δ R700 | | | RD14BB2H475J | RD 4.7M J 1/2W | | K1P1 |
| Δ R701 | | | RS14GB3A1R0J | FL-PROOF RS 1 J 1W | | |
| Δ R703 | | | RS14GB2H101J | FL-PROOF RS 100 J 1/2W | | |
| Δ R706 | | | RS14GB3A1R0J | FL-PROOF RS 1 J 1W | | |
| R708 | | | RS14GB2H471J | FL-PROOF RS 470 J 1/2W | | |
| SFR201 | | | R32-0006-08 | VR | | |
| VR601 | | * | R31-0099-08 | VR(MIC) | | M1X1M2 |
| VR601 | | * | R31-0099-08 | VR(MIC) | | X3 |
| Δ RL501 | | | S76-0048-08 | MAGNETIC RELAY | | |
| Δ S701 | | * | S62-0083-08 | SLIDE SWITCH | | M1Y1M2 |
| Δ S701 | | * | S62-0083-08 | SLIDE SWITCH | | M3 |
| SW201 | | * | S68-0114-08 | SWITCH(REC SW) | | |
| SW751 | | * | S62-0057-08 | SLIDE SWITCH(BEAT CANCEL) | | |
| D201-205 | | | 1SS133T-77 | DIODE | | |
| D206,207 | | | 1N4002 | DIODE | | |
| D208,209 | | | 1SS133T-77 | DIODE | | |
| D211-213 | | | 1SS133T-77 | DIODE | | |
| D401,402 | | | 1SS133T-77 | DIODE | | |
| D501-505 | | | 1SS133T-77 | DIODE | | |
| D581 | | | 1SS133T-77 | DIODE | | |
| D585 | | | 1SS133T-77 | DIODE | | |
| Δ D701 | | * | GBU4D | DIODE | | E1E2E3 |

L : Scandinavia K : USA P : Canada R : Mexico C : China I : Malaysia
Y : PX(Far East, Hawaii) T : Europe E : Europe G : Germany V : China (Shanghai) B : BLACK S : SILVER H : GRAY
Y : AAFES(Europe) X : Australia Q : Russia H : Korea M : Other Areas Δ indicates safety critical components.

* New Parts
 Parts without **Parts No.** are not supplied.
 Les articles non mentionnés dans le **Parts No.** ne sont pas fournis.
 Teile ohne **Parts No.** werden nicht geliefert.

15

| Ref. No | Add-ress | New Parts | Parts No. | Description | Desti-nation | Re-marks |
|------------|----------|-----------|--------------|------------------------|--------------|----------|
| △ D701 | | * | GBU4D | DIODE | E4T1T2 | |
| △ D701 | | * | GBU4D | DIODE | K1P1M3 | |
| △ D701 | | * | GBU4D | DIODE | Q1Q2X2 | |
| △ D701 | | * | GBU4D | DIODE | X3 | |
| △ D701 | | * | GBU6D | DIODE | M1M2X1 | |
| △ D701 | | * | GBU6D | DIODE | Y1 | |
| △ D702-705 | | | 1N4002L | DIODE | | |
| D706 | | | 1SS133T-77 | DIODE | | |
| D707 | | | MTZ8.2B | ZENER DIODE | | |
| D708 | | | MTZ6.2B | ZENER DIODE | | |
| D709-711 | | | MTZ12B | ZENER DIODE | | |
| D712 | | | 1SS133T-77 | DIODE | | |
| D714 | | | 1SS133T-77 | DIODE | | |
| IC201 | | | TA8189N | IC | | |
| IC301 | | | TA2011S | IC | M1X1M2 | |
| IC301 | | | TA2011S | IC | X3 | |
| IC401 | | * | LC75392 | IC | | |
| IC402 | | | TC4066BP | IC(ANALOG/ DIGITAL SW) | | |
| IC404 | | | NJM4558L | IC(OP AMP X2) | | |
| △ IC501 | | * | STK-405-100A | IC | M1M2X1 | |
| △ IC501 | | * | STK-405-100A | IC | Y1 | |
| △ IC501 | | * | STK-405-70A | IC | E1E2E3 | |
| △ IC501 | | * | STK-405-70A | IC | E4T1T2 | |
| △ IC501 | | * | STK-405-70A | IC | K1P1M3 | |
| △ IC501 | | * | STK-405-70A | IC | Q1Q2X2 | |
| △ IC501 | | * | STK-405-70A | IC | X3 | |
| IC502 | | | UPC1237HA | IC(POWER AMP) | | |
| IC602 | | | NJM4558L | IC(OP AMP X2) | K1P1 | |
| Q201-206 | | | 2SC945 | TRANSISTOR | | |
| Q207 | | | 2SA733 | TRANSISTOR | | |
| Q208 | | | 2SC945 | TRANSISTOR | | |
| Q209 | | | 2SC2001L | TRANSISTOR | | |
| Q210-212 | | | 2SC945 | TRANSISTOR | | |
| Q213 | | | 2SA733 | TRANSISTOR | | |
| Q214 | | | DTC124ES | TRANSISTOR | | |
| Q215 | | | 2SC945 | TRANSISTOR | | |
| Q216 | | | 2SA733 | TRANSISTOR | | |
| Q217 | | | 2SC945 | TRANSISTOR | | |
| Q218 | | | 2SA733 | TRANSISTOR | | |
| Q219 | | | 2SC945 | TRANSISTOR | | |
| Q220 | | | 2SC2001L | TRANSISTOR | | |
| Q301,302 | | | 2SC945 | TRANSISTOR | | |
| Q403-408 | | | 2SC945 | TRANSISTOR | | |
| Q409,410 | | | 2SA733 | TRANSISTOR | | |
| Q411-414 | | | 2SC2878A | TRANSISTOR | | |
| Q415,416 | | | 2SC945 | TRANSISTOR | | |
| Q417,418 | | | DTC114TS | TRANSISTOR | | |
| Q501,502 | | | 2SC945 | TRANSISTOR | | |
| Q503 | | | 2SA733 | TRANSISTOR | | |
| Q504,505 | | | 2SC1841 | TRANSISTOR | | |
| Q506 | | | 2SA988 | TRANSISTOR | | |
| Q507 | | | DTC124ES | TRANSISTOR | | |
| Q508 | | | 2SA733 | TRANSISTOR | | |
| Q509,510 | | | DTC124ES | TRANSISTOR | | |
| Q511,512 | | | 2SC2878A | TRANSISTOR | | |

L : Scandinavia K : USA P : Canada R : Mexico C : China I : Malaysia
 Y : PX(Far East, Hawaii) T : Europe E : Europe G : Germany V : China (Shanghai) B : BLACK S : SILVER H : GRAY
 Y : AAFES(Europe) X : Australia Q : Russia H : Korea M : Other Areas △ indicates safety critical components.

* New Parts
 Parts without **Parts No.** are not supplied.
 Les articles non mentionnés dans le **Parts No.** ne sont pas fournis.
 Teile ohne **Parts No.** werden nicht geliefert.

16

| Ref. No | Add-ress | New Parts | Parts No. | Description | Desti-nation | Re-marks |
|---------------------|----------|-----------|--------------|-------------------|--------------|----------|
| Q513 | | | DTA144ES | TRANSISTOR | | |
| Q611 | | | 2SC945 | TRANSISTOR | K1P1 | |
| △ Q701,702 | | | 2SD882(Q,P) | TRANSISTOR | | |
| △ Q703 | | | 2SC2001L | TRANSISTOR | | |
| △ Q704 | | | 2SD882(Q,P) | TRANSISTOR | | |
| Q705 | | | 2SA733 | TRANSISTOR | | |
| Q706 | | | 2SC945 | TRANSISTOR | | |
| Q707 | | | DTC124ES | TRANSISTOR | | |
| Q708 | | | DTC114TS | TRANSISTOR | | |
| △ Q709 | | | 2SA953(K) | TRANSISTOR | | |
| Q711 | | | DTA144ES | TRANSISTOR | | |
| Q713,714 | | | 2SC2878A | TRANSISTOR | | |
| DISPLAY UNIT | | | | | | |
| LCD601 | | * | B38-0174-08 | LCD DISPLAY | | |
| LP601-603 | | * | B30-2539-08 | PILOT LAMP | | |
| C601 | | | C91-1525-08 | CERAMIC | 0.1UF | Z |
| C603 | | * | C90-3824-08 | ELECTRO | 4700UF | 5.5WV |
| C604 | | | CK45FB1E223Z | CERAMIC | 0.022UF | Z |
| C605 | | | CE04KW1C470M | ELECTRO | 47UF | 16WV |
| C606 | | | C91-1525-08 | CERAMIC | 0.1UF | Z |
| C607 | | | CE04KW1H2R2M | ELECTRO | 2.2UF | 50WV |
| C608 | | | CE04KW1H010M | ELECTRO | 1.0UF | 50WV |
| C609 | | | C91-1525-08 | CERAMIC | 0.1UF | Z |
| C610 | | | CE04KW1H100M | ELECTRO | 10UF | 50WV |
| C611 | | | CK45FB1E223Z | CERAMIC | 0.022UF | Z |
| C612,613 | | | CC45CH1H200J | CERAMIC | 20PF | J |
| C614 | | | C91-1525-08 | CERAMIC | 0.1UF | Z |
| C615,616 | | | C91-0749-05 | CERAMIC | 220PF | K |
| C617 | | | CK45FB1H101K | CERAMIC | 100PF | K |
| C618 | | | CE04KW1H100M | ELECTRO | 10UF | 50WV |
| C619-621 | | | C91-0749-05 | CERAMIC | 220PF | K |
| C622 | | | CE04KW1H010M | ELECTRO | 1.0UF | 50WV |
| C623 | | | CE04KW1A101M | ELECTRO | 100UF | 10WV |
| C624-628 | | | C91-0749-05 | CERAMIC | 220PF | K |
| C629 | | | CE04KW1A101M | ELECTRO | 100UF | 10WV |
| C631 | | | CE04KW1A330M | ELECTRO | 33UF | 10WV |
| C632 | | | C91-0749-05 | CERAMIC | 220PF | K |
| CN09 | | * | E40-8338-08 | FFC PIN ASSY(18P) | | |
| CN401 | | * | E40-8337-08 | PIN ASSY 17P | | |
| L601 | | | L33-0521-08 | CHOKE COIL | | |
| X601 | | * | L77-2244-08 | CRYSTAL | | |
| VR603 | | * | T99-0616-08 | VR ENCODER | | |
| SW601-617 | | | S70-0036-08 | TACT SWITCH | | |
| SW618-626 | | | S70-0036-08 | TACT SWITCH | | |
| D601 | | | 1SS133T-77 | DIODE | | |
| D602 | | | 1N4148 | DIODE | | |
| D603,604 | | | 1SS133T-77 | DIODE | | |
| D607 | | | 1SS133T-77 | DIODE | | E1E2E3 |
| D607 | | | 1SS133T-77 | DIODE | | E4T1T2 |
| D607 | | | 1SS133T-77 | DIODE | | Q1Q2 |
| D613 | | * | B30-2540-08 | LED | | E1E2E3 |

L : Scandinavia K : USA P : Canada R : Mexico C : China I : Malaysia
 Y : PX(Far East, Hawaii) T : Europe E : Europe G : Germany V : China (Shanghai) B : BLACK S : SILVER H : GRAY
 Y : AAFES(Europe) X : Australia Q : Russia H : Korea M : Other Areas △ indicates safety critical components.

PARTS LIST

RXD-251/301/351/371S/A3

* New Parts
 Parts without **Parts No.** are not supplied.
 Les articles non mentionnés dans le **Parts No.** ne sont pas fournis.
 Teile ohne **Parts No.** werden nicht geliefert.



| Ref. No | Address | New Parts | Parts No. | Description | Destination | Remarks |
|----------------|---------|-----------|----------------|----------------------------|-------------|---------|
| D613 | | * | B30-2540-08 | LED | E4T1T2 | |
| D613 | | * | B30-2540-08 | LED | M1M2M3 | |
| D613 | | * | B30-2540-08 | LED | Q1Q2Y1 | |
| D613 | | * | B30-2540-08 | LED | X1X2X3 | |
| IC601 | | * | LC867224A-5H71 | IC | | |
| Q601,602 | | | 2SC945 | TRANSISTOR | E1E2E3 | |
| Q603 | | | 2SA733 | TRANSISTOR | E4T1T2 | |
| Q603 | | | 2SA733 | TRANSISTOR | M1M2M3 | |
| Q603 | | | 2SA733 | TRANSISTOR | Q1Q2Y1 | |
| Q603 | | | 2SA733 | TRANSISTOR | | |
| Q603 | | | 2SA733 | TRANSISTOR | | |
| Q603 | | | 2SA733 | TRANSISTOR | | |
| Q604 | | | 2SA733 | TRANSISTOR | X1X2X3 | |
| Q604 | | | 2SA733 | TRANSISTOR | | |
| RM601 | | * | W02-2680-08 | REMOTE RECEIVER | | |
| SPEAKER | | | | | | |
| | | * | B06-0057-08 | GRILLE ASSY(BLACK L) | E3E4 | B |
| | | * | B06-0057-08 | GRILLE ASSY(BLACK L) | T2Q2X3 | B |
| | | * | B06-0058-08 | GRILLE ASSY(BLACK R) | E3E4 | B |
| | | * | B06-0058-08 | GRILLE ASSY(BLACK R) | T2Q2X3 | B |
| | | * | B06-0059-08 | GRILLE ASSY(GRAY L) | E1E2T1 | H |
| | | * | B06-0059-08 | GRILLE ASSY(GRAY L) | K1P1Y1 | H |
| | | * | B06-0059-08 | GRILLE ASSY(GRAY L) | M1M2X1 | H |
| | | * | B06-0059-08 | GRILLE ASSY(GRAY L) | Q1 | H |
| | | * | B06-0060-08 | GRILLE ASSY(GRAY R) | E1E2T1 | H |
| | | * | B06-0060-08 | GRILLE ASSY(GRAY R) | K1P1Y1 | H |
| | | * | B06-0060-08 | GRILLE ASSY(GRAY R) | M1M2X1 | H |
| | | * | B06-0060-08 | GRILLE ASSY(GRAY R) | Q1 | H |
| | | * | H50-2991-08 | ITEM CARTON CASE(LS-N301) | E3E4T2 | |
| | | * | H50-2991-08 | ITEM CARTON CASE(LS-N301) | Q2 | |
| | | * | H50-2997-08 | ITEM CARTON CASE(LS-N351) | E2M3 | |
| | | * | H50-2997-08 | ITEM CARTON CASE(LS-N351) | T1E1Q1 | |
| | | * | H50-2998-08 | ITEM CARTON CASE(LS-N371S) | M1M2 | |
| | | * | T03-0505-08 | TWEETER UNIT(MULTIPLE) | | |
| | | * | T10-1004-08 | WOOFER UNIT(40W 5INCH) | | |
| | | * | T10-1005-08 | WOOFER UNIT(60W 6.5INCH) | | |
| | | * | W03-5839-05L | SPEAKER(LS-N301)LEFT | E3E4 | |
| | | * | W03-5839-05R | SPEAKER(LS-N301)RIGHT | E3E4 | |
| | | * | W03-5839-05L | SPEAKER(LS-N301)LEFT | T2Q2X3 | |
| | | * | W03-5839-05R | SPEAKER(LS-N301)RIGHT | T2Q2X3 | |
| | | * | W03-5840-05L | SPEAKER(LS-N351)LEFT | K1P1Q1 | |
| | | * | W03-5840-05R | SPEAKER(LS-N351)RIGHT | K1P1Q1 | |
| | | * | W03-5840-05L | SPEAKER(LS-N351)LEFT | T1E1E2 | |
| | | * | W03-5840-05R | SPEAKER(LS-N351)RIGHT | T1E1E2 | |
| | | * | W03-5840-05L | SPEAKER(LS-N351)LEFT | X2M3 | |
| | | * | W03-5840-05R | SPEAKER(LS-N351)RIGHT | X2M3 | |
| | | * | W03-5841-05L | SPEAKER(LS-N371)LEFT | M1X1Y1 | |
| | | * | W03-5841-05R | SPEAKER(LS-N371)RIGHT | M1X1Y1 | |
| | | * | W03-5841-05L | SPEAKER(LS-N371)LEFT | M2 | |
| | | * | W03-5841-05R | SPEAKER(LS-N371)RIGHT | M2 | |

L : Scandinavia K : USA P : Canada R : Mexico C : China I : Malaysia
 Y : PX(Far East, Hawaii) T : Europe E : Europe G : Germany V : China (Shanghai) B : BLACK S : SILVER H : GRAY
 Y : AAFES(Europe) X : Australia Q : Russia H : Korea M : Other Areas Δ indicates safety critical components.

HOW TO READ THE PARTS LIST

ABBREVIATION OF MODEL AND MASS PRODUCTION'S DESTINATIONS

| MODEL | ABB. | Australia | Canada | China | England | Europe | Germany | Korea | Malaysia |
|----------|------|-----------|----------|--------|-------------|----------|---------|------------|----------|
| RXD-251 | - | X2 | - | - | - | - | - | - | - |
| RXD-301 | - | X3 | - | - | T2 | E3 | - | - | - |
| RXD-301E | - | - | - | - | - | E4 | - | - | - |
| RXD-301W | - | - | - | - | - | - | - | - | - |
| RXD-351 | - | X1 | - | - | T1 | E1 | - | - | - |
| RXD-351E | - | - | - | - | - | E2 | - | - | - |
| RXD-351W | - | - | - | - | - | - | - | - | - |
| RXD-371S | - | - | - | - | - | - | - | - | - |
| RXD-A3 | - | - | P1 | - | - | - | - | - | - |
| MODEL | ABB. | Mexico | PX/AAFES | Russia | Scandinavia | Shanghai | USA | Other area | |
| RXD-251 | - | - | - | - | - | - | - | M3 | - |
| RXD-301 | - | - | - | - | - | - | - | - | - |
| RXD-301E | - | - | - | - | - | - | - | - | - |
| RXD-301W | - | - | - | Q2 | - | - | - | - | - |
| RXD-351 | - | - | Y1 | - | - | - | - | M1 | - |
| RXD-351E | - | - | - | - | - | - | - | - | - |
| RXD-351W | - | - | - | Q1 | - | - | - | - | - |
| RXD-371S | - | - | - | - | - | - | - | M2 | - |
| RXD-A3 | - | - | - | - | - | - | K1 | - | - |

Note :

Every individual parts is not available for repair parts on cassette and cd mechanisms.

Schematic is printed to check cd-circuitry, however, no parts list in this manual.

SPECIFICATIONS

Main unit

[Amplifier section]

(XD-A3)

Rated power output (U.S.A. and Canada)

30 watts per channel minimum RMS, both channels driven, at 6 Ω form 40 Hz to 14 kHz with no more than 0.9 % total harmonic distortion.

Effective output power during STEREO operation

U.S.A. and Canada

1 kHz, 10 % T.H.D., 6 Ω 40 W + 40 W

(XD-251/XD-301)

Effective output power during STEREO operation

1 kHz, 10 % T.H.D., 6 Ω 40 W + 40 W

Rated output power during STEREO operation

Europe, U.K. and Russia

(DIN) 1 kHz, 0.7 % T.H.D., 6 Ω 30 W + 30 W

Other countries

1 kHz, 1.0 % T.H.D., 6 Ω 30 W + 30 W

(XD-351/XD-371S)

Effective output power during STEREO operation

Europe, U.K. and Russia.

1 kHz, 10 % T.H.D., 6 Ω 40 W + 40 W

Other countries

1 kHz, 10 % T.H.D., 6 Ω 60 W + 60 W

Rated output power during STEREO operation

Europe, U.K. and Russia

(DIN) 1 kHz, 0.7 % T.H.D., 6 Ω 30 W + 30 W

Other countries

1 kHz, 1.0 % T.H.D., 6 Ω 40 W + 40 W

Input sensitivity / impedance

AUX 300 mV / 40 kΩ

(XD-351/XD-371S)

MIC 1, 2 (Except for some areas) 2.5 mV / 2.2 kΩ

Output level / impedance

(XD-A3)

SUPER WOOFER PREOUT 1.8 V / 0.6 kΩ

[Tuner section]

FM tuner section

Tuning frequency range 87.5 MHz ~ 108 MHz

(For Russia) (87.5 MHz ~ 108 MHz

65.0 MHz ~ 74.0 MHz

AM (MW) Tuner section

Tuning frequency range

Europe, U.K. and Russia 531 kHz ~ 1,602 kHz

U.S.A. and Canada 530 kHz ~ 1,700 kHz

Other countries

9 kHz step 531 kHz ~ 1,602 kHz

10 kHz step 530 kHz ~ 1,610 kHz

LW Tuner section (For U. K.)

Tuning frequency range 153 kHz ~ 279 kHz

SW Tuner section (XD-371S)

Tuning frequency range 5.95 MHz ~ 17.9 MHz

[Cassette deck section]

Track 4-track, 2-channel stereo

Recording system AC bias system
(Frequency: 105 kHz)

Heads

A deck Playback / recording head 1

Erasing head 1

B deck Playback head 1

Motor 1

Fast winding time Approx. 100 seconds
(C-60 tape)

[CD player section]

Laser Semiconductor laser

Wow & Flutter Less than unmeasurable Limit

[General]

Power consumption (XD-A3/XD-251/XD-301) 150 W

(XD-351 for Europe 5 and U.K.) 150 W

(XD-371S) 180 W

Dimensions W: 280 mm (11")

H: 320 mm (12-5/8")

D: 405 mm (15-15/16")

Weight (net) (XD-A3/XD-251/XD-301) 6.9kg (15.2 lb)

(XD-351 for Europe and U.K.) 6.9kg (15.2 lb)

(XD-371S) 9.1kg (20.1 lb)

(XD-371S) 9.1kg (20.1 lb)

Speakers (LS-N301/LS-N351) XD-A3/XD-251/XD-351 (Europe,

U.K. and Russia)

Enclosure Bass-reflex type

Speaker configuration

Woofers 130 mm, cone type

Tweeter 50 mm, cone type

Impedance 6 Ω

Maximum input level 40 W

Dimensions W: 220 mm (8-11/16")

H: 320 mm (12-5/8")

D: 295 mm (11-5/8")

Weight (net) 3.3 kg (7.3 lb) (1 piece)

Speakers (LS-N371) XD-351 (other countries)/XD-371S

Enclosure Bass-reflex type

Speaker configuration

Woofers 160 mm, cone type

Tweeter 50 mm, cone type

Impedance 6 Ω

Maximum input level 60 W

Dimensions W: 220 mm (8-11/16")

H: 320 mm (12-5/8")

D: 295 mm (11-5/8")

Weight (net) 3.7 kg (8.2 lb) (1 piece)



1. KENWOOD follows a policy of continuous advancements in development. For this reason specifications may be changed without notice.
2. Sufficient performance may not be possible at very low temperatures (0°C or less).

RXD-251/301/351/371S/A3

Note:

Component and circuit are subject to modification to insure best operation under differing local conditions. This manual is based on Europe (E) standard, and provides information on regional circuit modification through use of alternate schematic diagrams, and information on regional component variations through use of parts list.

KENWOOD CORPORATION

14-6, Dogenzaka 1-chome, Shibuya-ku, Tokyo, 150-8501 Japan

KENWOOD SERVICE CORPORATION

P.O. BOX 22745, 2201 East Dominguez St., Long Beach, CA 90801-5745, U.S.A.

KENWOOD ELECTRONICS CANADA INC.

6070 Kestrel Road, Mississauga, Ontario, Canada L5T 1S8

KENWOOD ELECTRONICS LATIN AMERICA S.A.

P.O. BOX 55-2791, Piso 6 plaza Chase, Cl. 47 y Aquilino de la Guardia Panama, Republic de Panama

KENWOOD ELECTRONICS BRASIL LTDA.

Av Indianópolis, 628, 04062-001 Planalto Paulista São Paulo-SP-Brasil

KENWOOD ELECTRONICS U.K. LIMITED

KENWOOD House, Dwight Road, Watford, Herts., WD1 8EB., United Kingdom

KENWOOD ELECTRONICS BELGUM N.V.

Meachelsesteenweg 418, B-1930 Zaventem, Belgium

KENWOOD ELECTRONICS DEUTSCHLAND GMBH

Rembrücker Str. 15, 63150 Heusenstamm, Germany

KENWOOD ELECTRONICS FRANCE S.A.

13 Boulevard Ney, 75018 Paris, France

KENWOOD ELECTRONICS ITALIA S.p.A.

Via G. Sirtori, 7/9 20129, Milano, Italy

KENWOOD IBÉRICA S.A.

Bolivia, 239-08020 Barcelona, Spain

KENWOOD ELECTRONICS AUSTRALIA PTY. LTD.

(A.C.N. 001499 074)

P.O. Box 504, 8 Figtree Drive, Australia Centre, Homebush, N.S.W. 2140, Australia

KENWOOD & LEE ELECTRONICS, LTD.

Unit 3712-3724, Level 37, Tower 1, Metroplaza, 223 Hing Fong Road, Kwai Fong N.T., Hong Kong

KENWOOD ELECTRONICS GULF FZE

P.O. Box 61318, Jebel Ali, Dubai, U.A.E.

KENWOOD ELECTRONICS SINGAPORE PTE LTD.

No. 1 Genting Lane #02-02, KENWOOD Building, Singapore, 349544

KENWOOD ELECTRONICS (MALAYSIA) SDN BHD.

#4.01 Level 4, Wisma Academy Lot 4A, Jalan 19/1 46300 Petaling Jaya Selangor Darul Ehsan Malaysia

KENWOOD ELECTRONICS (THAILAND) CO., LTD.

573/111 Soi Ramkhamhaeng 39, Ramkhamhaeng Road, Wangthonglang, Bangkok, Bangkok 10301 Thailand