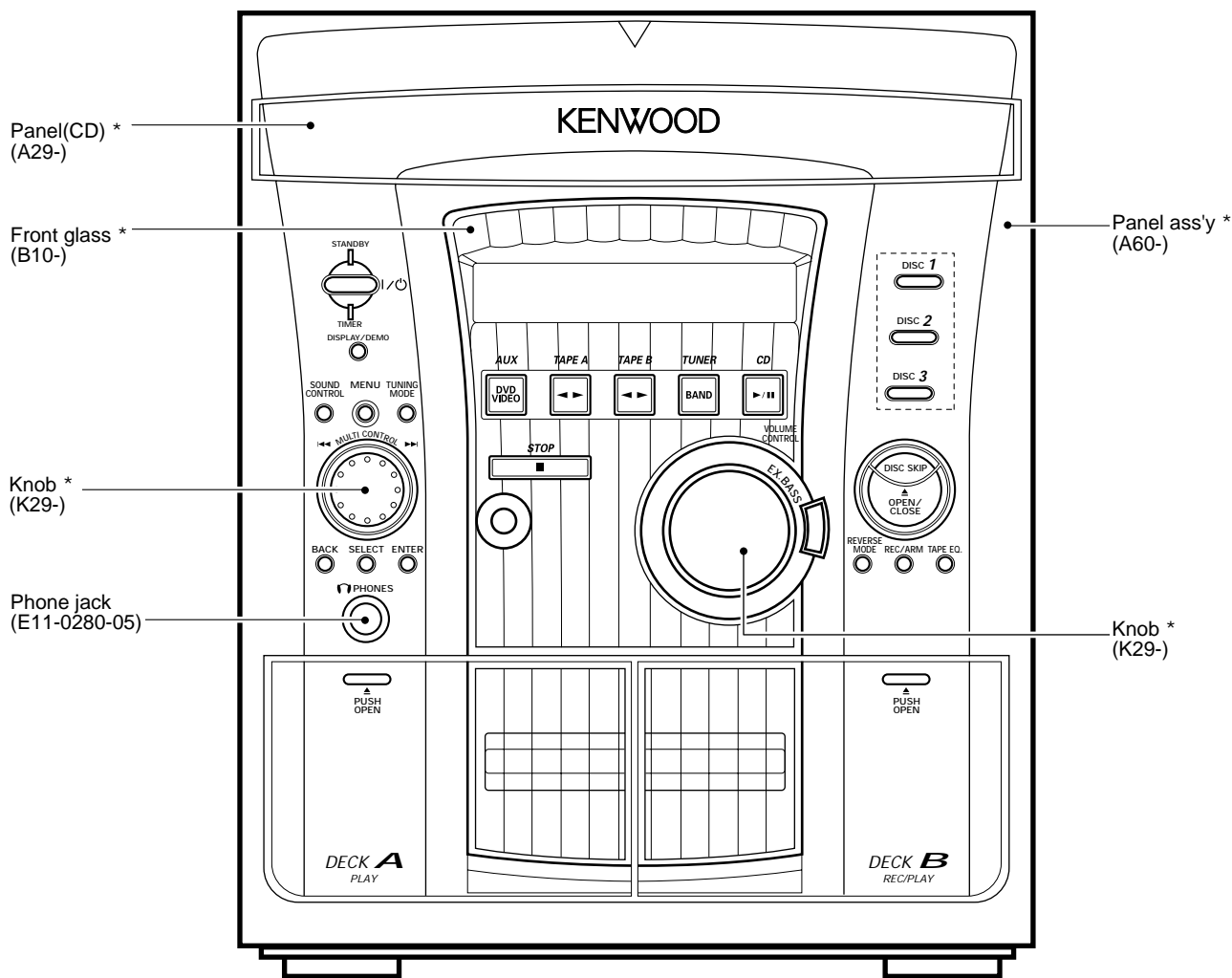


SERVICE MANUAL

(XD-303~A73) * *



**Refer to page 2 if you want to know system configuration.

In compliance with Federal Regulations, following are reproductions of labels on, or inside the product relating to laser product safety.

* Refer to parts list on page 33.

KENWOOD-Crop. certifies this equipment conforms to DHHS Regulations No. 21 DFR 1040. 10, Chapter 1, Subchapter J.

DANGER : Laser radiation when open and interlock defeated. AVOID DIRECT EXPOSURE TO BEAM

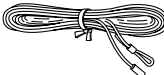
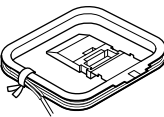
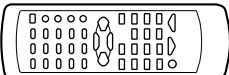
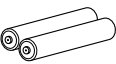
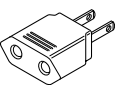
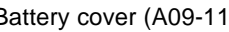



CONTENTS / ACCESSORIES / CAUTIONS

Contents

CONTENTS / ACCESSORIES / CAUTIONS.....	2	PARTS DESCRIPTIONS	13
EXTERNAL VIEW	3	PC BOARD	14
DISASSEMBLY FOR REPAIR.....	3	SCHEMATIC DIAGRAM	19
BLOCK DIAGRAM	4	EXPLODED VIEW	31
CIRCUIT DESCRIPTION	5	PARTS LIST.....	33
ADJUSTMENT	10	SPECIFICATIONS	43
WIRING DIAGRAM	12		

Accessories

<p>FM indoor antenna (1) (T90-0836-05)</p> 	<p>AM loop antenna (1) (T90-0852-05)</p> 	<p>Remote control unit (1) (A70-1337-05): RC-553...KPMXYK1P1M5 (A70-1338-05): RC-553E....TEE1T1</p> 	<p>Batteries (R6/AA) (2)</p> 
<p>AC plug adaptor (1) (E03-0115-05)</p>  <p>Use to adapt the plug on the power cord to the shape of the wall outlet. (Accessory only for regions where use is necessary.)</p>		<p>Battery cover (A09-1151-08)</p> 	
		<p>Speaker cords (2) (XD-653 only) Refer to system configuration.</p> 	<p>Provided in the speaker package</p>

SYSTEM CONFIGURATION

SYSTEM	MAIN UNIT	DESTINATION	SPEAKER	SP CORD PSRTS No
XD-303	RXD-303	KE	LS-N303	E30-5829-08
XD-303E	RXD-303E	E1	LS-N303	E30-5829-08
XD-353	RXD-353	YMXTEH	LS-N353	E30-5829-08
XD-353E	RXD-353E	E1	LS-N353	E30-5829-08
XD-353(M3)	RXD-353	M	LS-N353(M3)	E30-5829-08
XD-353(M5)	RXD-353(M5)	M5	LS-N353(M3)	E30-5829-08
XD-503	RXD-503	KPE	LS-N503	E30-5829-08
XD-503E	RXD-503E	E1	LS-N503	E30-5829-08
XD-553	RXD-553	YMXTE	LS-N553	E30-5829-08
XD-553E	RXD-553E	E1	LS-N553	E30-5829-08
XD-553(M3)	RXD-553	M	LS-N553(M3)	E30-5829-08
XD-553(M5)	RXD-553(M5)	M5	LS-N553(M3)	E30-5829-08
XD-553-GR	RXD-553-GR	ET1	LS-N553-GR	E30-5829-08
XD-553E-GR	RXD-553E-GR	E1	LS-N553-GR	E30-5829-08
XD-653	RXD-653	TEX	LS-N653	E30-5475-05
XD-653 E	RXD-653 E	E1	LS-N653	E30-5475-05
XD-753	RXD-553	MX	LS-N753	E30-5838-08
XD-753(M3)	RXD-553	M	LS-N753(M3)	E30-5838-08
XD-753(M5)	RXD-553(M5)	M5	LS-N753(M3)	E30-5838-08
XD-A33	RXD-A33	KP	LS-N353	E30-5829-08
XD-A53	RXD-A53	KP	LS-N553	E30-5829-08
XD-A73	RXD-A53	KP	LS-N753	E30-5838-08

Cautions

Operation to reset

The microcomputer may fall into malfunction (impossibility to operate, erroneous display, etc.) when the power cord is unplugged while power is ON or due to an external factor. In this case, execute the following procedure to reset the microcomputer and return it to normal condition.

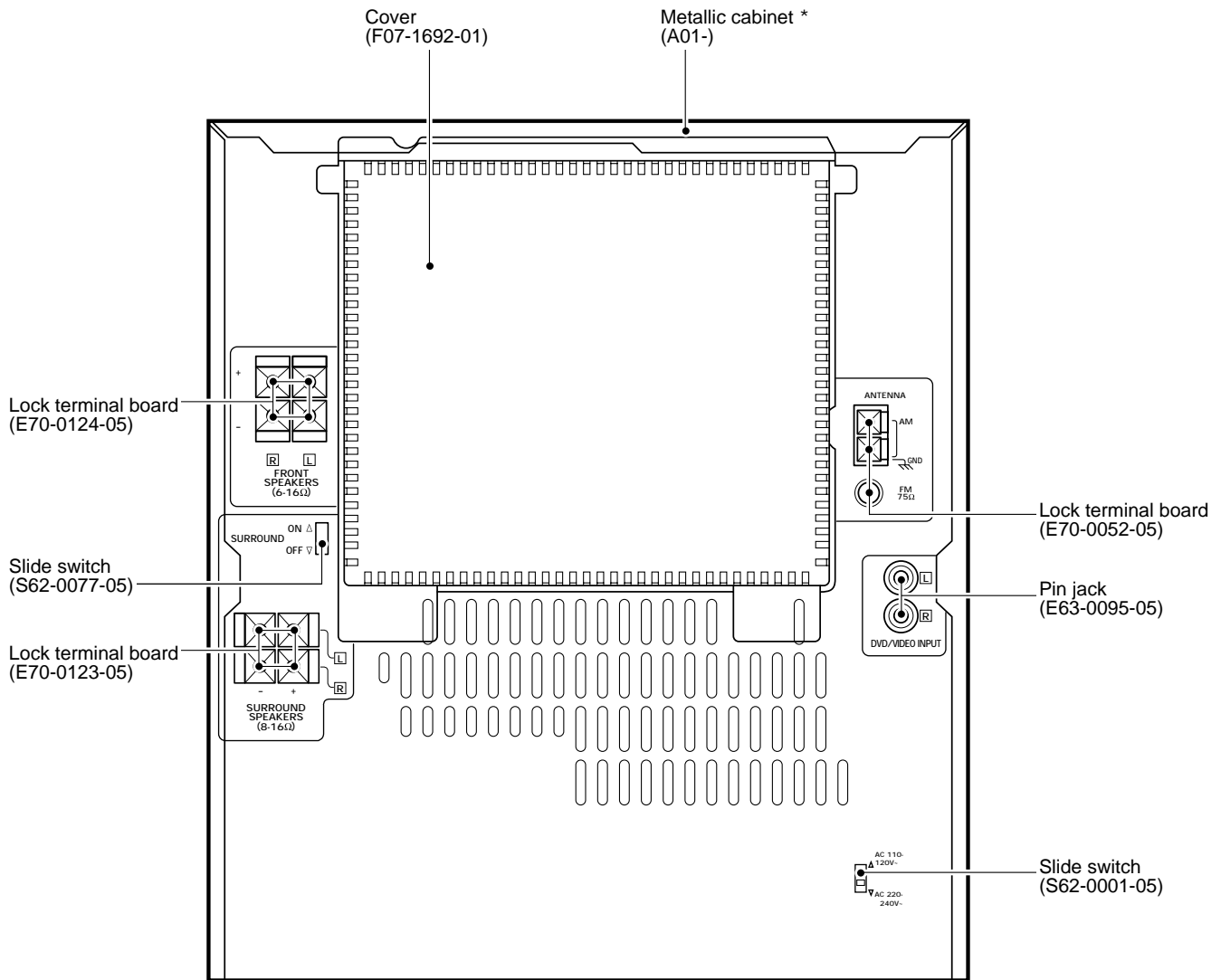
Unplug the power cord from the power outlet then, while holding the ENTER key depressed, plug the power cord again.

(Main unit only)



- Please note that resetting the microcomputer clears the stored contents and returns to the factory set condition.

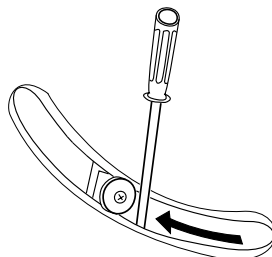
EXTERNAL VIEW



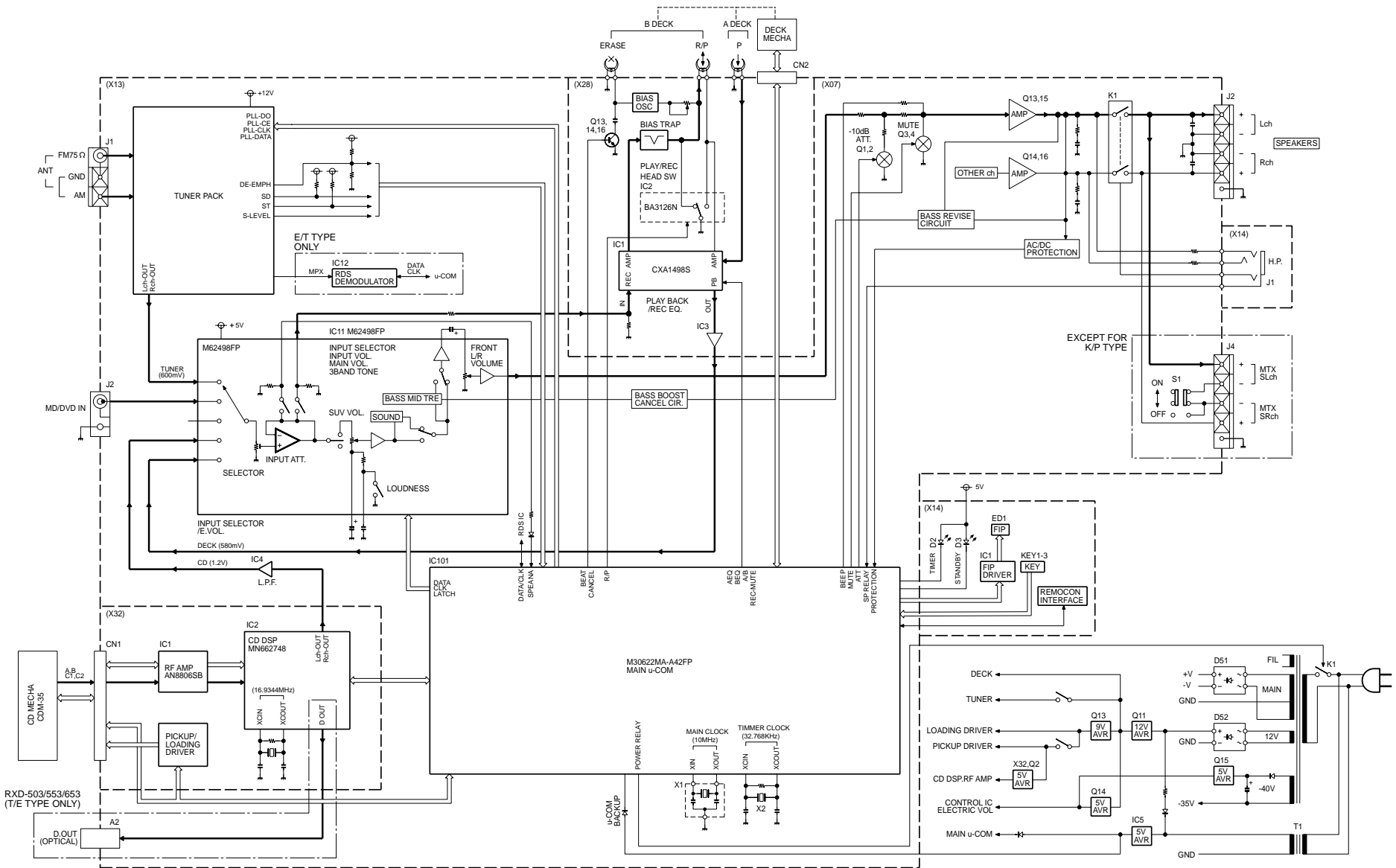
DISASSEMBLY FOR REPAIR

HOW to open the tray if not comes out.

BOTTOM SIDE



- (1) Turn the friction arm counterclockwise using a screw driver and the like.
- (2) Pull out the tray frontwards by hand when the tray comes just out.



RXD-503/553/653 (T/E TYPE ONLY)

RXD-A33/A53/A53-GR
 RXD-303/303E/353/353E
 RXD-503/503E/553/553E/553-GR/553E-GR
 RXD-653/653E

BLOCK DIAGRAM

RXD-303/353/503/553/653/A33/A53

CIRCUIT DESCRIPTION

1. Initialization

1-1 Setting of the Initial Conditions

While pressing the [ENTER] key, plug the AC cord into AC wall outlet.

1-2 Initializing Operation

- A Microcomputer is initialized for start when the AC power is turned on when pressing the [ENTER] key. At that time, CD and cassette mechanisms are also initialized.
- During the initial conditions, the display shows *INITIALIZE* and after that it will be returned to standby condition.

1-3 Initial Items

(1) AMPLIFIER

- POWER ON/STANDBY STANDBY
- VOLUME 14
- BALANCE CENTER
- INPUT SELECTOR TUNER
- SOURCE DIRECT OFF
- MUTE OFF
- AUTO POWER SAVE OFF
- AUX(DVD/VIDEO) INPUT LEVEL -3

- DISPLAY MODE AUTO
- BEEP SOUND ON

(2) TUNER

- BAND FM
- FREQUENCY LOWEST FREQUENCY
- AUTO/MONO AUTO
- PRESET CHANNEL "- -"ch

(3) CASSETTE DECK

- REVERSE MODE REVERSE
- TAPE A/B B
- TAPE DIRECTION FORWARD

(4) AUX (DEV/VIDEO)

- DVD/VIDEO DISPLAY DVD

(5) CLOCK

- CLOCK 0:00(E,E2,T)/12:00am(OTHER)
- Program Timer Recoding
 - ON TIME 0:00(E,E2,T)/12:00(OTHER)
 - OFF TIME 0:00(E,E2,T)/12:00(OTHER)
- Program Timer Play
 - ON TIME 0:00(E,E2,T)/12:00(OTHER)
 - OFF TIME 0:00(E,E2,T)/12:00(OTHER)
- Program on Mode OFF
- SLEEP TIMER OFF

(6) Equalizer

- Equalizer OFF
- CUSTOM EQ.1~3 FLAT
- EX. BASS ON
- 3D LEVEL OFF

1-4 Mechanism Initialization

1-4-1 CD Mechanism

- If a mechanism error occurs *C ERR* is indicated on the display.

1-4-2 DECK mechanism

- When the initial condition becomes NG for the third time,decide the error. The error condition is displayed as X ERR on the display.

1-4-3 Error display

- If both mechanism (CD/DECK) error occur, the display is indicated as follows.
- CD & X ERR

2. Destination List of Tuner

Set	Type	BAND	Receiving Frequency Range	Channel Space	IF	RF
K, P	K1	FM	87.5MHz ~ 108.0MHz	100kHz	+10.7MHz	25kHz
		AM	530kHz ~ 1700kHz	10kHz	+450kHz	10kHz
M, Y(1)	K2	FM	87.5MHz ~ 108.0MHz	100kHz	+10.7MHz	25kHz
		AM	530kHz ~ 1610kHz	10kHz	+450kHz	10kHz
M, Y(2), X	E1	FM	87.5MHz ~ 108.0MHz	50kHz	+10.7MHz	25kHz
		AM	531kHz ~ 1602kHz	9kHz	+450kHz	9kHz
E, E2	E3 RDS	FM	87.5MHz ~ 108.0MHz	50kHz	+10.7MHz	25kHz
		AM	531kHz ~ 1602kHz	9kHz	+450kHz	9kHz
T	E4 RDS	FM	87.5MHz ~ 108.0MHz	50kHz	+10.7MHz	25kHz
		MW	531kHz ~ 1602kHz	9kHz	+450kHz	9kHz
		LW	153kHz ~ 279kHz	9kHz	+450kHz	9kHz

CIRCUIT DESCRIPTION

3. Test Mode

3-1 Setting of the Test Mode

AUX MODE	AUX(DVD VIDEO) key+AC-ON
TUNER MODE	TUNER(BAND) key+AC-ON
TAPE MODE	TAPE A(< >) key+AC-ON
CD MODE	DISC3 key+AC-ON
SUB CLOCK OSC DIAGNOSIS	MENU key+AC-ON The oscillation diagnosis(existence of oscillation and measurement of period) of a sub clock is performed before the test mode is entered. If the diagnosis result is OK, the system enters the test mode. If the diagnosis result is NG, the oscillation of the sub clock is diagnosed again. If the result is OK, the system enters the test mode. If the diagnosis result is continuously NG 5 times, the system stops with "ERR1" and "ERR2" displayed.

3-2 Cancel of the test mode

By turning the power off, the system is initialized and the test mode is canceled.

3-3 Contents of the Test Mode

3-3-1 Tuner Test mode

KEY	DISPLAY	OPERATION
SELECT	Normal indication	→10 → 20 → 30 → 00 (- -)→
MENU	Normal indication	AUTO • STEREO ↑ MANUAL • MONO ↓
BACK SOUND CONTROL	Normal indication	TUNING DOWN TUNING UP
TUNING MODE ENTER	Normal indication	P. ch DOWN P. ch UP
DISPLAY/DEMO		FL indication ON ↔ FL indication OFF
CD OPEN/CLOSE	50Hz ↓ ↑ 100Hz	50HZ/50μ ↔ 100Hz/75μ

3-3-2 Aux Test Mode

KEY	DISPLAY	OPERATION
DISC 1	Tone] MAX]]] Tone] MIN]]] Tone] CENTE	→ MAX → MAIN → CENTER →
DISC 2	Normal indication	AUX LEVEL MAX ↔ AUX LEVEL MIN
DISC 3	Normal indication	→ Lch MAX → Rch MAX → CENTER →
EX.BASS	Normal indication	EX. BASE ON ↔ EX. BASE OFF

3-3-3 Deck Test Mode

KEY	DISPLAY	OPERATION
REC/ARM	Normal display	If the REC/ARM key is pressed, the system record for 4 seconds. Then, it rewinds to the REC starting position and plays back automatically. If the REC/ARM key is pressed, during the 4 seconds REC operation, the system records further for 4 seconds, then returns to the starting position of the first 4 seconds REC operation and plays back.

* Mechanism SW Detection

HALF SW	DISPLAY	HALF SW	DISPLAY
A PACK SW	"T" (The first dot)	A CrO2 SW	"A" (The second dot)
B PACK SW	"P" (The third dot)	B RVS REC SW	"E" (The forth dot)
B FWD SW	"T" (The sixth dot)	B CrO2 SW	"E" (The seventh dot)
A PLAY SW	"Moon" (Segment)	B PLAY SW	Sun(Segment)

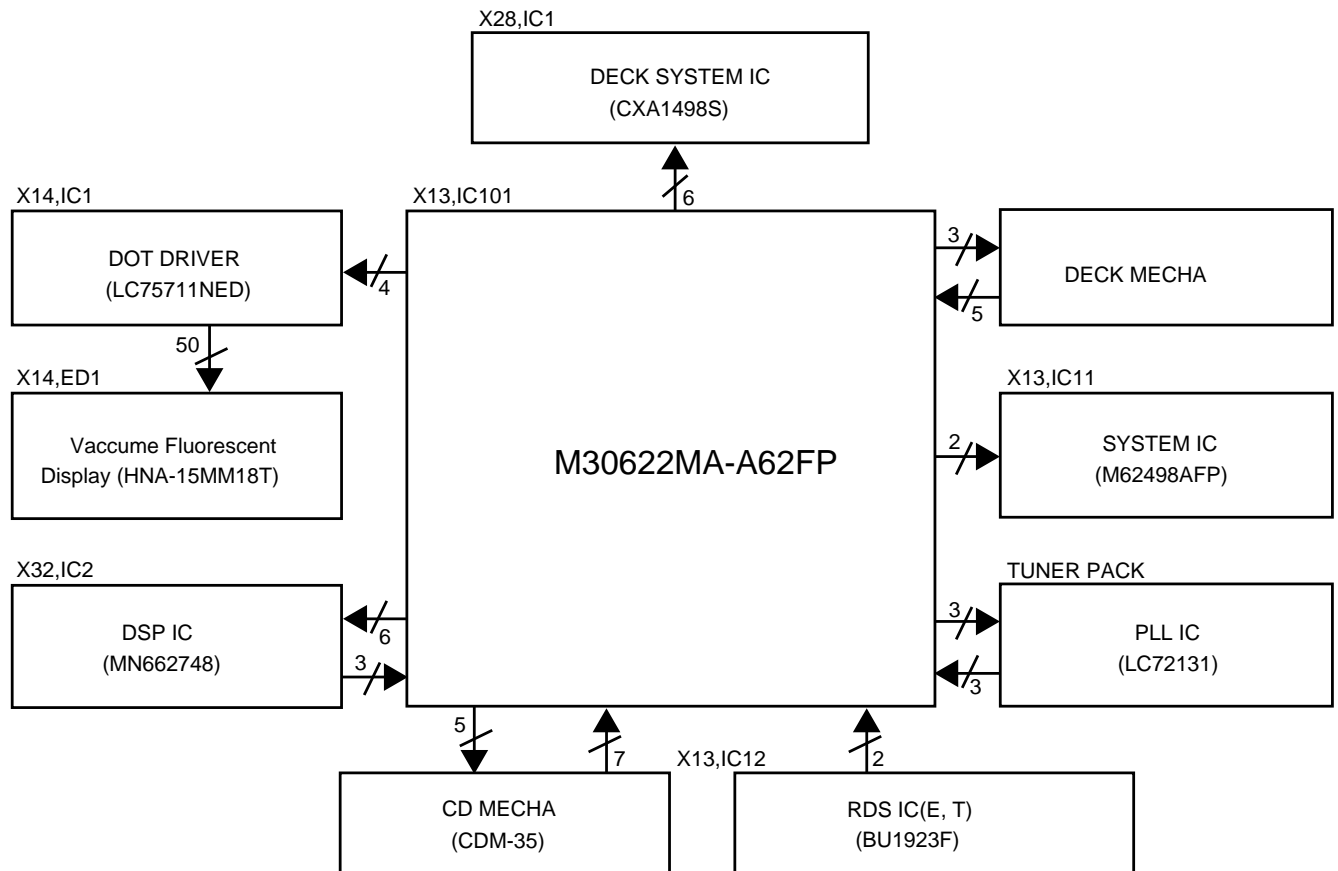
CIRCUIT DESCRIPTION

3-3-4 Test Mode

KEY	DISPLAY	OPERATION
CD-PLAY/PAUSE	05 **: ** (*: **)	Tracking-servo on.
(Change the mode alternately by the stop key.)	05 and 03 ---:---	Tracking-servo off.
DISC 1	01 ---:---	STOP
(Cyclically changed in the stop mode only.)	07 ** / ** 08 ** / ** 09 ** / **	Adjustment value/mean value TB value FB value TG value FG value TO value FO value
STOP	01 ---:---	Stop (Press it 1time.) Cancel the test mode. (Press it 2 times.)
TAPE EQ	Ex. 01~02	CD track no. up.
TAPE EQ (Press it more than 400msec.)	CD FF search.	The pickup travels outward.
REVERSE MODE	Ex. 02~01	CD track no. down.
REVERSE MODE (Press it more t han 400msec.)	—	CD FB search. The pickup travels inward.

4. Microprocessor : M30622MA-A62FP

4-1 Microprocessor Periphery Block Diagram



CIRCUIT DESCRIPTION

4-2 Key Matrix

Input Voltage (V)	KEY3 Pin94	KEY2 Pin95	KEY1 Pin97
0.00~0.23	REV. MODE	POWER	
0.26~0.75	REC	EX. BASS	DISPLAY/DEMO
0.79~1.29	TAPE EQ.	CD PLAY/ PAUSE	TUNING MODE
1.33~1.84	OPEN/CLOSE	BAND	MENU
1.88~2.38	DISC SKIP	TAPE B	SOUND
2.42~2.93	DISC 3	TAPE A	SELECT
2.96~3.45	DISC 2	AUX	BACK
3.49~3.98	DISC 1	STOP	ENTER
4.01~4.52	-	-	-
4.54~4.80	KEY OFF	KEY OFF	KEY OFF

* The input voltage value : for 4.8[V] in a standard voltage

4-3 Pin Description of Microprocessor

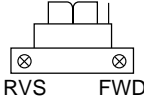
Pin No.	Pin Name	I/O	Description	ACTIVE	
				H	L
1	SLEVEL	I	RSD signal level input.		
2	CE2	I	Backup detection input 2.	AC ON	AC OFF
3	SD	I	SD detection input.		
4	ST	I	Stereo detection input.		
5	PLL CE	O	PLL IC chip enable.		
6	RDS DATA	I	RDS data input.		
7	PLL CLK	O	PLL IC clock output.		
8	BYTE	-	GND.		
9	CNVSS	-	GND.		
10	XCIN	I	Timer clock input(32.768kHz).		
11	XCOU	O	Timer clock output(32.768kHz).		
12	RST	I	Reset signal input.	NORMAL	RESET
13	X OUT	O	Main clock output(10MHz).		
14	VSS	-	GND.		
15	X IN	I	Main clock input(10MHz).		
16	VCC(BU)	-	u-com power supply(+5.0V).		
17	NMI	-	Connected to VCC.		
18	REM	I	Signal input of remote control.		
19	RDS CLK	I	RDS clock input.		
20	BLKCK	I	Sub code synchronous signal input. L→H Interrupt		
21	CE2	I	Back up detection input.	AC ON	AC OFF
22	BEEP SOUND	O	Beep sound output.		
23	PLL DO	I	PLL IC data input.		
24	B EQ	O	Equalizer control of B deck play back.		
25	REC MUTE	O	Deck recording mute control.		MUTE ON
26	R/P	O	Deck recording/playback changeover control.	RECORDING	PLAY
27	NOR	O	B deck Normal/CrO2 changeover control.	NORMAL	CrO2
28	MCLK	O	CD DSP command clock signal output.		
29	STAT	I	CD DSP status signal input.		
30	MDATA	O	CD DSP command data output.		
31	FL DATA	O	Data output to VFD dot driver.		
32	A CrO2	I	A deck CrO2 detection switch input.	NORMAL	CrO2
33	FL CLK	O	Clock output to VFD dot driver.		
34	FL CE	O	Chip enable output to VFD dot driver.		
35	FL RST	O	Reset signal output to VFD dot driver.		
36	F REC	I	B deck forward recording prohibition detection switch.		
37	B CrO2	I	B deck CrO2 detection switch input.	CrO2	Normal
38	A PACK	I	A deck cassette tape detection switch input.		
39	A PLAY	I	A deck head position detection switch input.		
40	B PACK	I	B deck cassette tape detection switch input.		

CIRCUIT DESCRIPTION

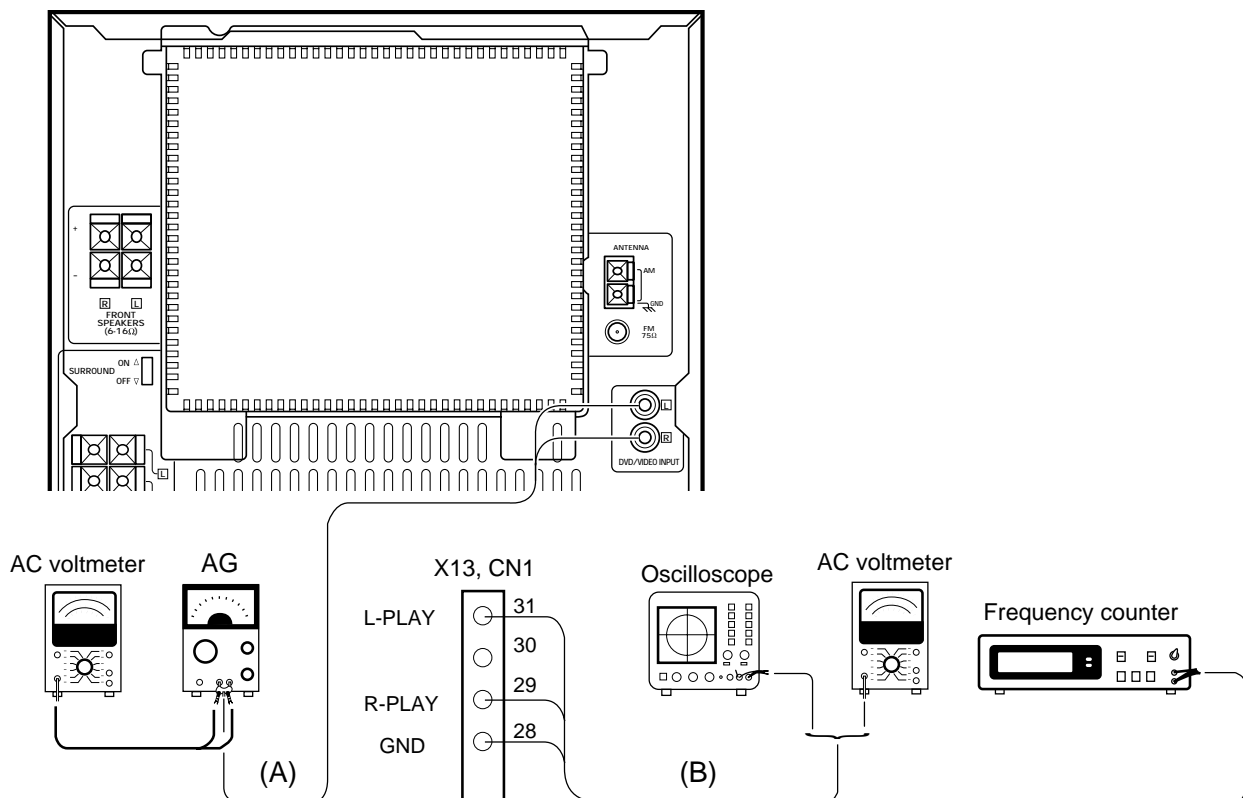
Pin No.	Pin Name	I/O	Description	ACTIVE	
				H	L
41	R REC	I	B deck reverse recording prohibition detection switch.		
42	B PLAY	I	B deck head position detection switch input.		
43	BIAS	O	Deck bias on/off changeover control.	ON	OFF
44	BEAT.C	O	Deck beat cancel on/off changeover control.	ON	OFF
45	B SOL	O	B deck solenoid control.		
46	CPM	O	Deck capstan motor control.		
47	A SOL	O	A deck solenoid control.		
48	TAPE MUTE	O	Deck line mute control.	MUTE ON	
49	A/B	O	Deck A/B changeover control.	B	A
50	A EQ	O	A deck play back equalizer control.		
51	MCONT A	I	Multi control jog input 1.		
52	MCONT B	I	Multi control jog input 2.		
53	VOL B	I	Volume encoder input 2.		
54	VOL A	I	Volume encoder input 1.		
55	LED STBY	O	Control port of standby LED.	OFF	ON
56	LED TIMER	O	Control port of timer LED.	OFF	ON
57	NC	-	Unused.		
58	OPEN SW	I	CD open detection switch input.		
59	CLOSE SW	I	CD close detection switch input.		
60	TD SW	I	Traverse down switch input port of CD mechanism.		
61	TU SW	I	Traverse up switch input port of CD mechanism.		
62	VCC(BU)	-	u-com power supply(+5.0V).		
63	OPEN	O	CD motor control output.		
64	VSS	-	GND.		
65	CLOSE	O	CD motor control output.		
66	BRKM	O	CD motor control output.		
67	RTL	O	Rotary motor opposite direction(CCW) output.		
68	RTR	O	Rotary motor positive direction(CW) output.		
69	DC OFF	O	Power control of CD DSP IC.	ON	OFF
70	CD PROT	I	CD protection input(Only at selector CD).	NORMAL	PRO. ON
71	SLT SW	I	CD start limit switch input.		
72	MLD	O	CD DSP command load signal output.		
73	SQCK	O	CD sub code clock output.		
74	SUBQ	I	CD sub code input.		
75	D MUTE	O	CD DSP muting output.		
76	XRST	O	CD DSP IC reset control.		RESET
77	PHTR	I	CD mecha. Stop switch input.		
78	PS SW	I	Tray position & disc detector switch input port of CD mechanism.		
79	TU ON/OFF	O	Tuner power on/off output.		
80	A-MUTE	O	Control port of audio muting.		
81	ATT	O	-10dB attenuation output.	ON	OFF
82	POWER	O	Power relay control.		
83	SP RELAY	O	Control port of speaker relay.		
84	EV CLK	O	Clock output to E..volume.		
85	EV DATA	O	Data output to E..volume.		
86	EMPHASIS	O	Tuner emphasis output.		
87	EPROM DATA	O	Expander ROM data output.		
88	EPROM CLK	O	Expander ROM clock output.		
89	PROTECT	I	Detection port of protection.		
90	SPEANA	I	Input port of music signal.		
91	TYPE	I	Discrimination of tuner destination.		
92	BPH	I	B deck reel sensor input.		
93	APH	I	A deck reel sensor input.		
94,95	KEY3,KEY2	I	A/D key input(key3,key2).		
96	AVSS	-	GND.		
97	KEY1	I	A/D key input(key1).		
98	VREF	-	A/D reference voltage input.		
99	AVCC(BU)	-	u-com power supply(+5.0V).		
100	PLL DATA	O	PLL IC data output.		

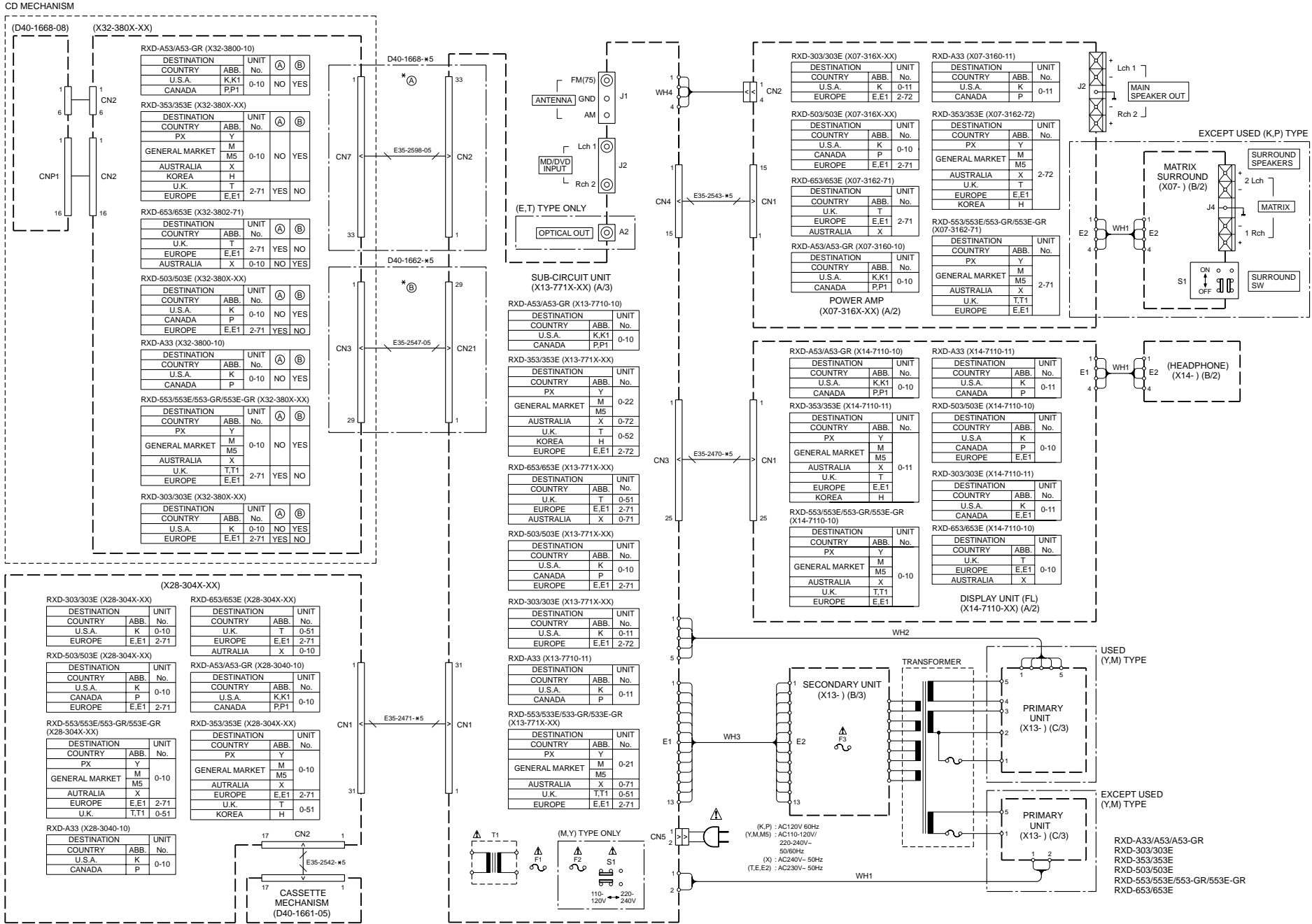
ADJUSTMENT

Cassette Deck adjustment

NO.	ITEM	INPUT SETTING	OUTPUT SETTING	CASSETTE TAPE DECK SETTING	ALIGNMENT POINTS	ALIGN FOR	FIG.
I Cassette mechanism unit (Adjustment of the REC / PLAY head)						0dBs = 0.775V	
(1)	Demagnetization and cleaning			Power : OFF Demagnetization, cleaning, PLAY	Recording head, erase head, capstan pinch roller	Demagnetize the REC / PLAY head with the head eraser. Clean the REC / PLAY head, erase head, capstan and pinch roller using a cotton swab slightly damped with alcohol.	
(2)	Azimuth of the REC / PLAY head	SCC-1727 TCC-153 MTT-114 10kHz, -10dB	(B)	PLAY		Adjust the output to maximum and adjust the azimuth adjustment screw for the Lissajours waveform pattern of the oscilloscope to become close to a 45° straight line.	
II PC BOARD ADJUSTMENT							
(1)	TAPE SPEED (NORMAL)	TCC-110 MTT-111 SCC-1727 3kHz	(B)	PLAY	VR5	Adjust the tape speed so that 3kHz is obtained at the center of the tape.	
III PC board adjustment.							
(1)	PLAYBACK LEVEL	MTT-150 400Hz	(B)	PLAY	VR 3 (L) VR 4 (R)	Adjust the playback output to -2.5dBs.	
		MTT-256, SCC-1727 315Hz				Adjust the playback output to -5.5dBs.	
		MTT-256U, TCC-120 315 Hz				Adjust the playback output to -1.5dBs.	
(2)	BIAS CURRENT	(A) Adjust the AG for the output of the DECK to become 12.5kHz -20dBs. 400Hz/12.5kHz (AC-224)	(B)	REC PLAY	VR 1 (L) VR 2 (R)	Record 400Hz and 12.5kHz alternately, and adjust the bias current adjustment potentiometer for the playback levels to become the same.	

Measurement Equipment Connections



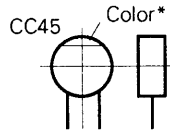


PARTS DESCRIPTIONS

CAPACITORS

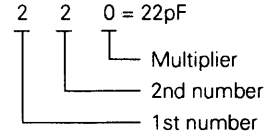
CC 45 TH 1H 220 J
 1 2 3 4 5 6

- 1 = Type ... ceramic, electrolytic, etc.
- 2 = Shape ... round, square, ect.
- 3 = Temp. coefficient
- 4 = Voltage rating
- 5 = Value
- 6 = Tolerance



Capacitor value

- 010 = 1pF
- 100 = 10pF
- 101 = 100pF
- 102 = 1000pF = 0.001μF
- 103 = 0.01μF



Temperature coefficient

1st Word	C	L	P	R	S	T	U
Color*	Black	Red	Orange	Yellow	Green	Blue	Violet
ppm/°C	0	-80	-150	-220	-330	-470	-750

2nd Word	G	H	J	K	L
ppm/°C	±30	±60	±120	±250	±500

Example : CC45TH = -470 ± 60ppm/°C

Tolerance (More than 10pF)

Code	C	D	G	J	K	M	X	Z	P	No code
(%)	±0.25	±0.5	±2	±5	±10	±20	+40 -20	+80 -20	+100 -0	More than 10μF -10 ~ +50 Less than 4.7μF -10 ~ +75

(Less than 10pF)

Code	B	C	D	F	G
(pF)	±0.1	±0.25	±0.5	±1	±2

Voltage rating

2nd word \ 1st word	A	B	C	D	E	F	G	H	J	K	V
0	1.0	1.25	1.6	2.0	2.5	3.15	4.0	5.0	6.3	8.0	-
1	10	12.5	16	20	25	31.5	40	50	63	80	35
2	100	125	160	200	250	315	400	500	630	800	-
3	1000	1250	1600	2000	2500	3150	4000	5000	6300	8000	-

Chip capacitors

(EX) C C 7 3 F S L 1 H 0 0 0 J
 1 2 3 4 5 6 7

(Chip) (CH, RH, UJ, SL)

(EX) C K 7 3 F F 1 H 0 0 0 Z
 1 2 3 4 5 6 7

(Chip) (B, F)

Refer to the table above.

- 1 = Type
- 2 = Shape
- 3 = Dimension
- 4 = Temp. coefficient
- 5 = Voltage rating
- 6 = Value
- 7 = Tolerance

Dimension (Chip capacitors)

Dimension code	L	W	T
Empty	5.6 ± 0.5	5.0 ± 0.5	Less than 2.0
A	4.5 ± 0.5	3.2 ± 0.4	Less than 2.0
B	4.5 ± 0.5	2.0 ± 0.3	Less than 2.0
C	4.5 ± 0.5	1.25 ± 0.2	Less than 1.25
D	3.2 ± 0.4	2.5 ± 0.3	Less than 1.5
E	3.2 ± 0.2	1.6 ± 0.2	Less than 1.25
F	2.0 ± 0.3	1.25 ± 0.2	Less than 1.25
G	1.6 ± 0.2	0.8 ± 0.2	Less than 1.0

RESISTORS

Chip resistor (Carbon)

(EX) R K 7 3 E B 2 B 0 0 0 J
 1 2 3 4 5 6 7

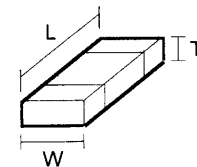
(Chip) (B, F)

Carbon resistor (Normal type)

(EX) R D 1 4 B B 2 C 0 0 0 J
 1 2 3 4 5 6 7

- 1 = Type
- 2 = Shape
- 3 = Dimension
- 4 = Temp. coefficient
- 5 = Rating wattage
- 6 = Value
- 7 = Tolerance

Dimension



Dimension (Chip resistor)

Dimension code	L	W	T
E	3.2 ± 0.2	1.6 ± 0.2	1.0
F	2.0 ± 0.3	1.25 ± 0.2	1.0
G	1.6 ± 0.2	0.8 ± 0.2	0.5 ± 0.1

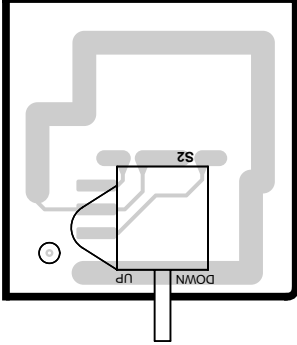
Rating wattage

Code	Wattage	Code	Wattage	Code	Wattage
1J	1/16W	2C	1/6W	3A	1W
2A	1/10W	2E	1/4W	3D	2W
2B	1/8W	2H	1/2W		

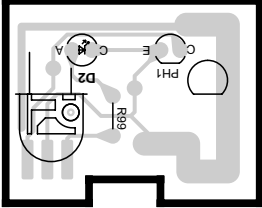
PC BOARD (Component side view)

X32-3800-10 A/4 (J70-1386-12)

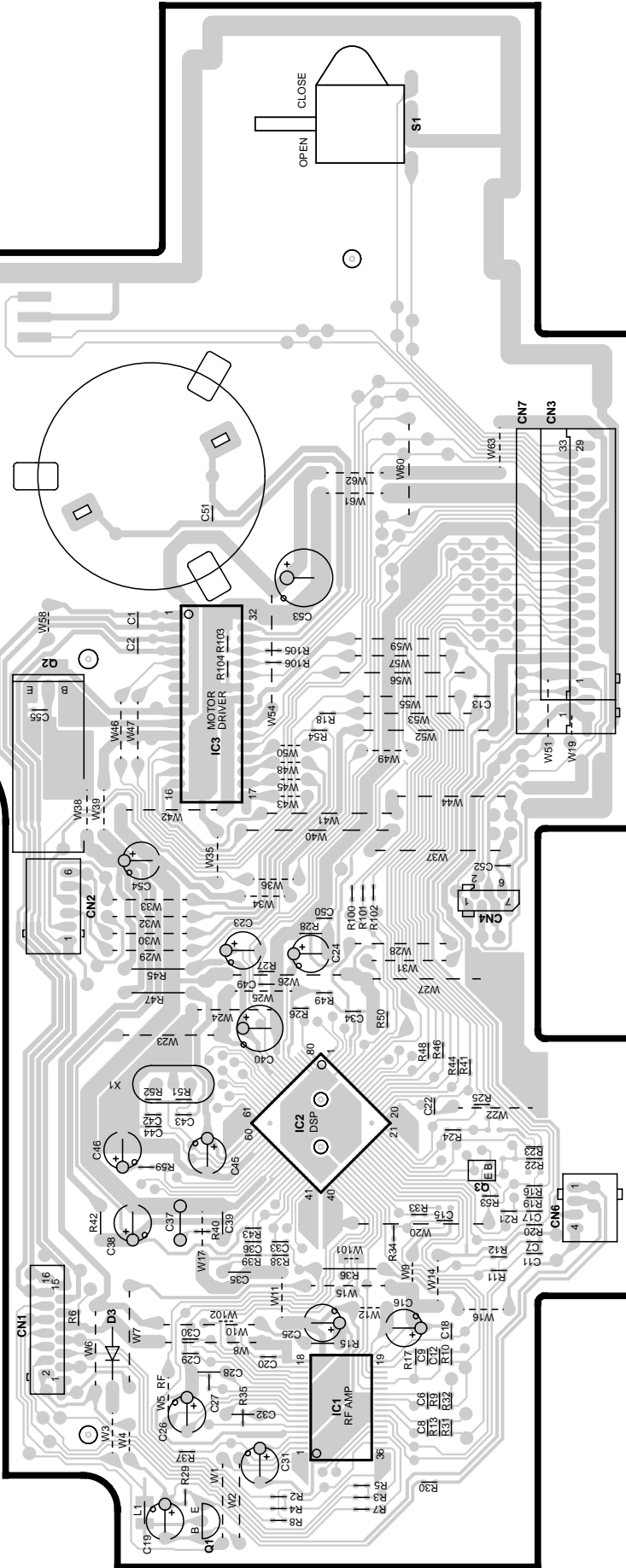
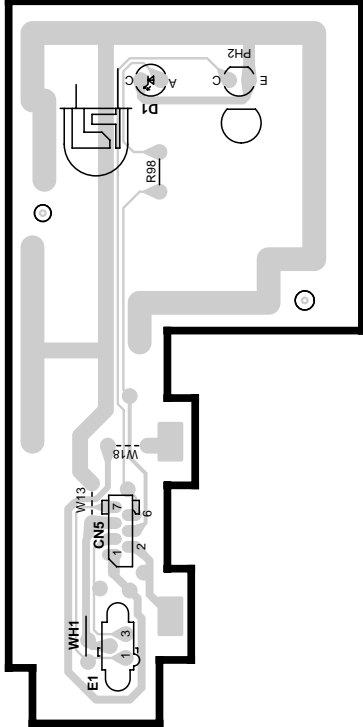
X32 D/4



X32 C/4



X32 B/4

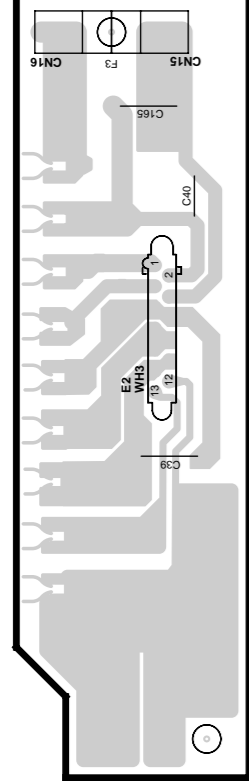


Refer to the schematic diagram for the value of resistors and capacitors.

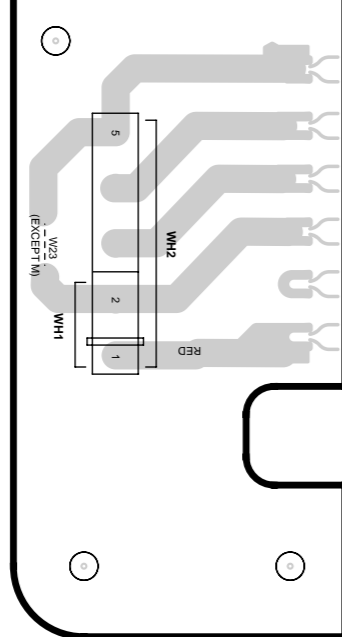
PC BOARD(Component side view)

X13-7710-10 A/2 (J70-1384-21)

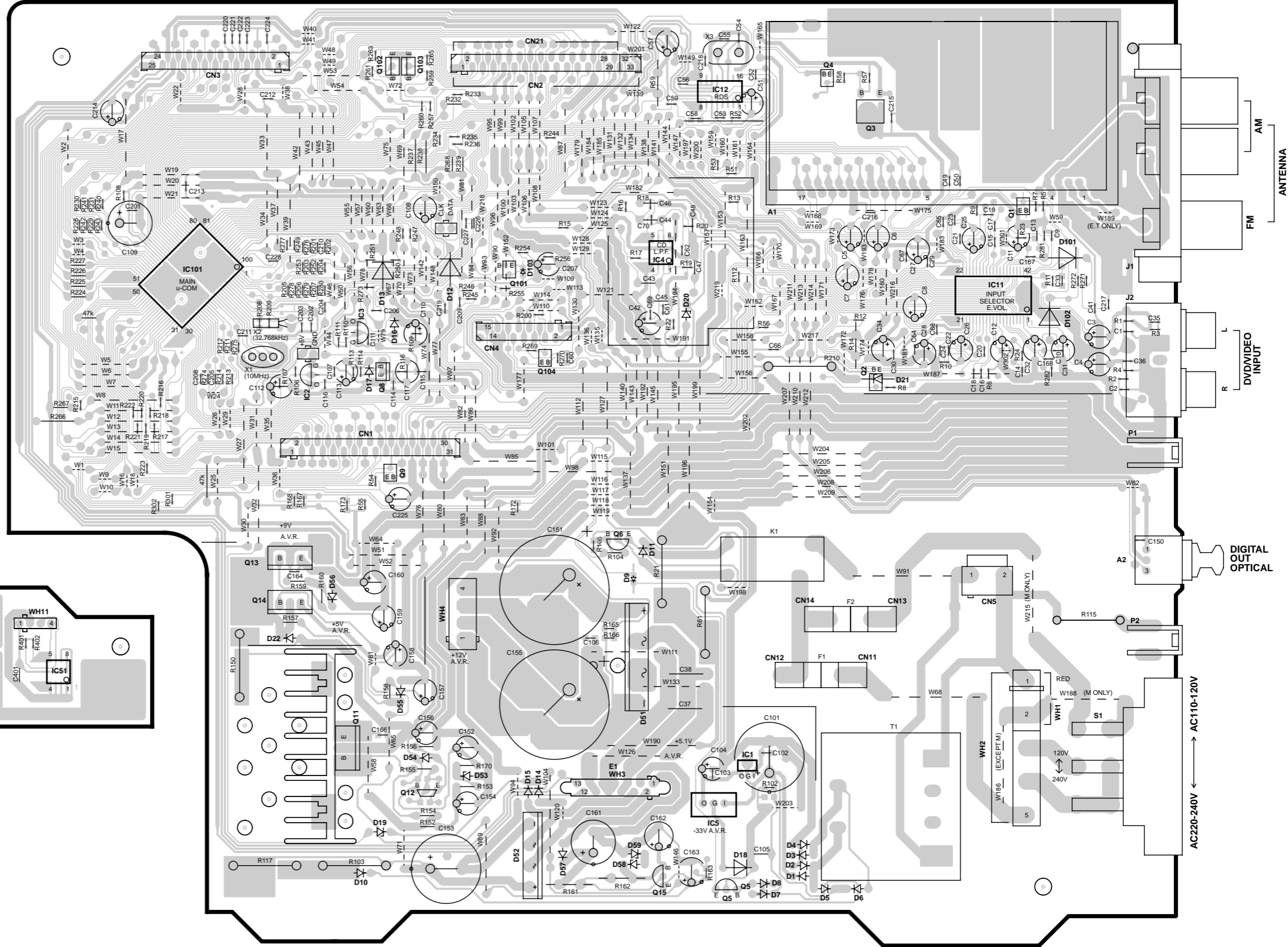
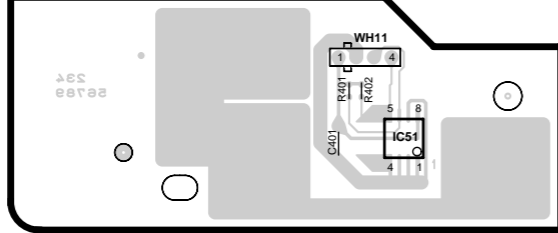
X13 B/5



X13 C/5



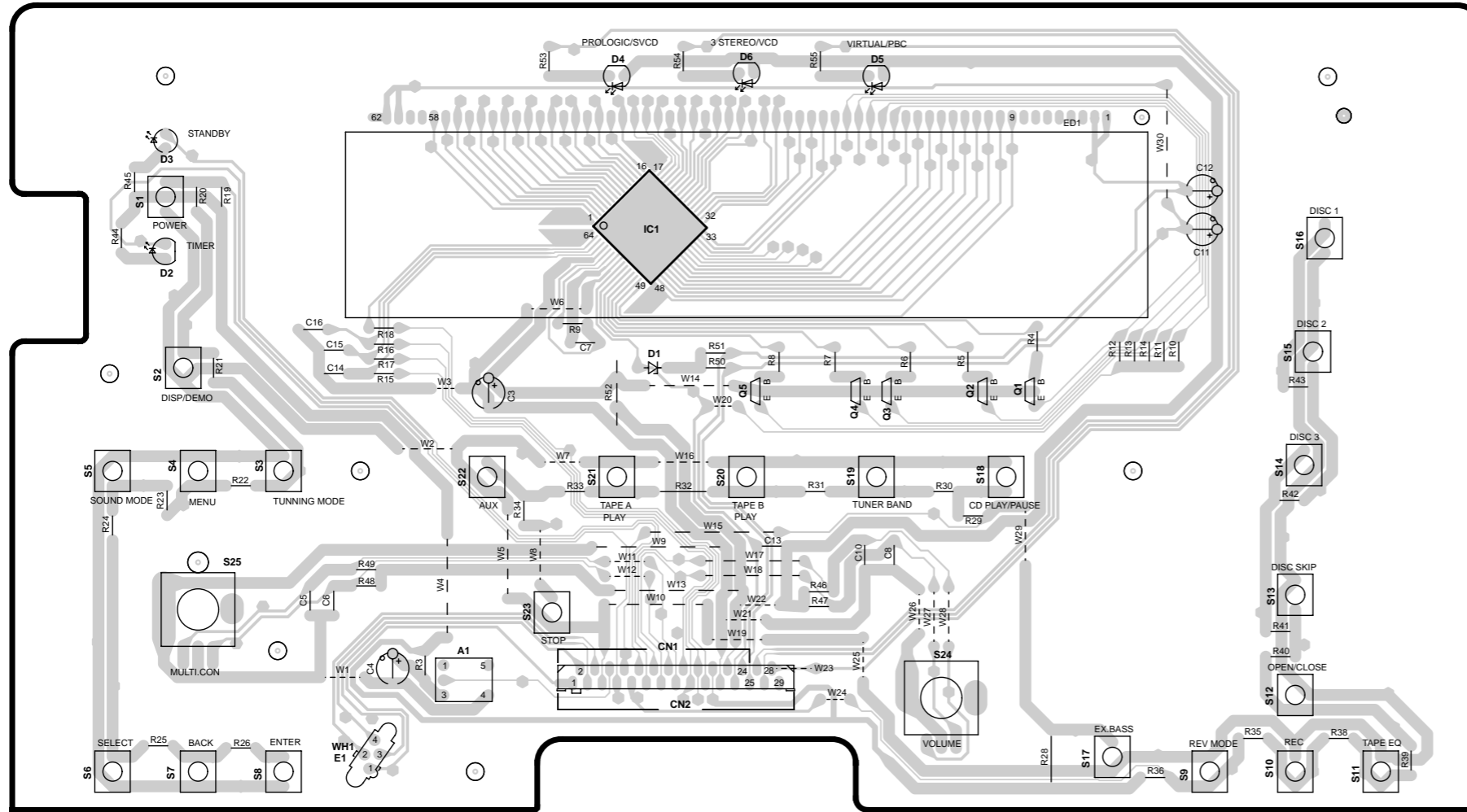
X13 D/5



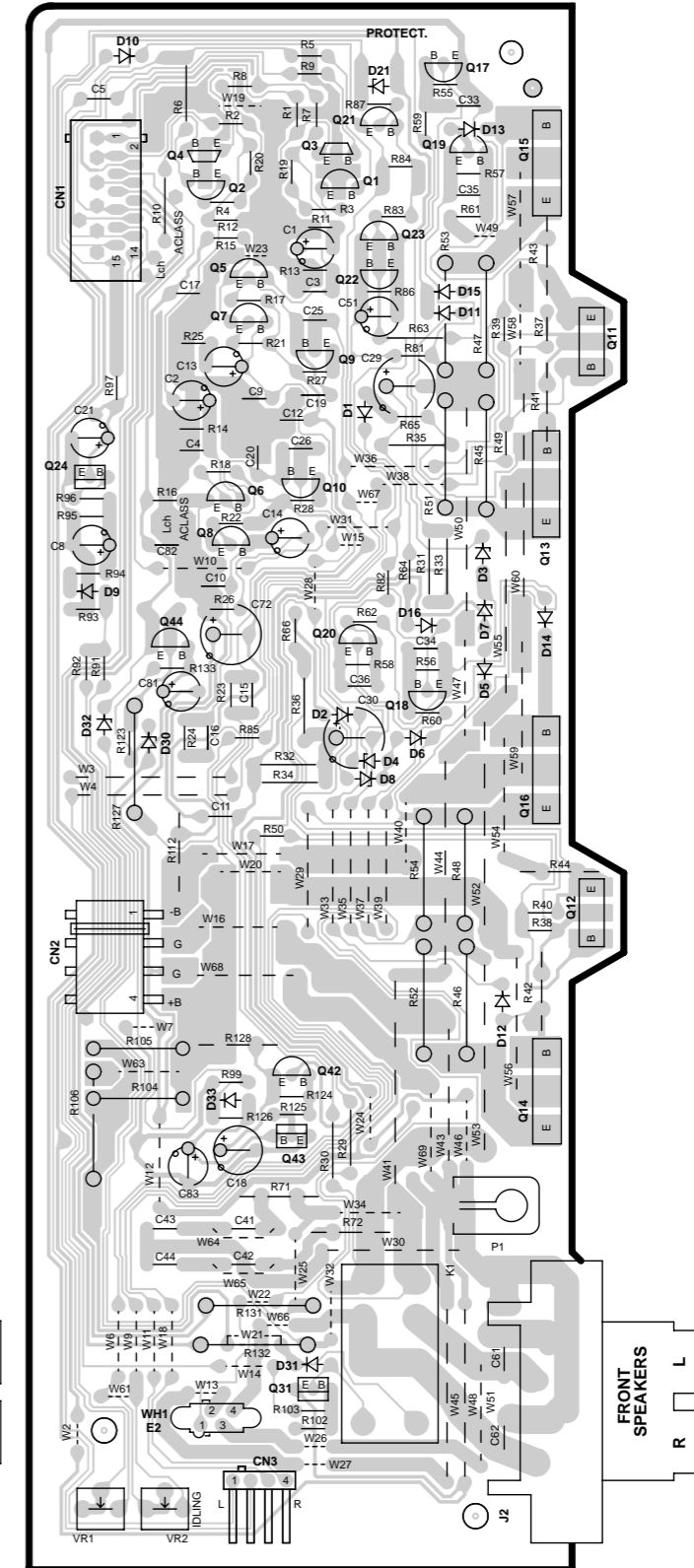
Refer to the schematic diagram for the value of resistors and capacitors.

PC BOARD(Component side view)

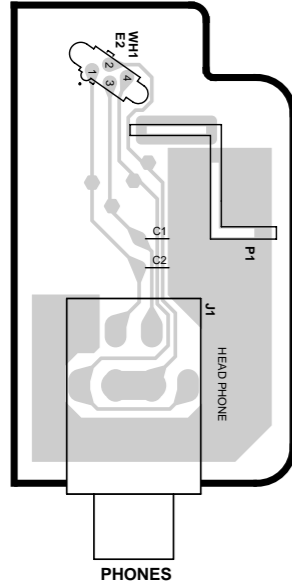
X14-7110-10 A/2 (J70-1377-22)



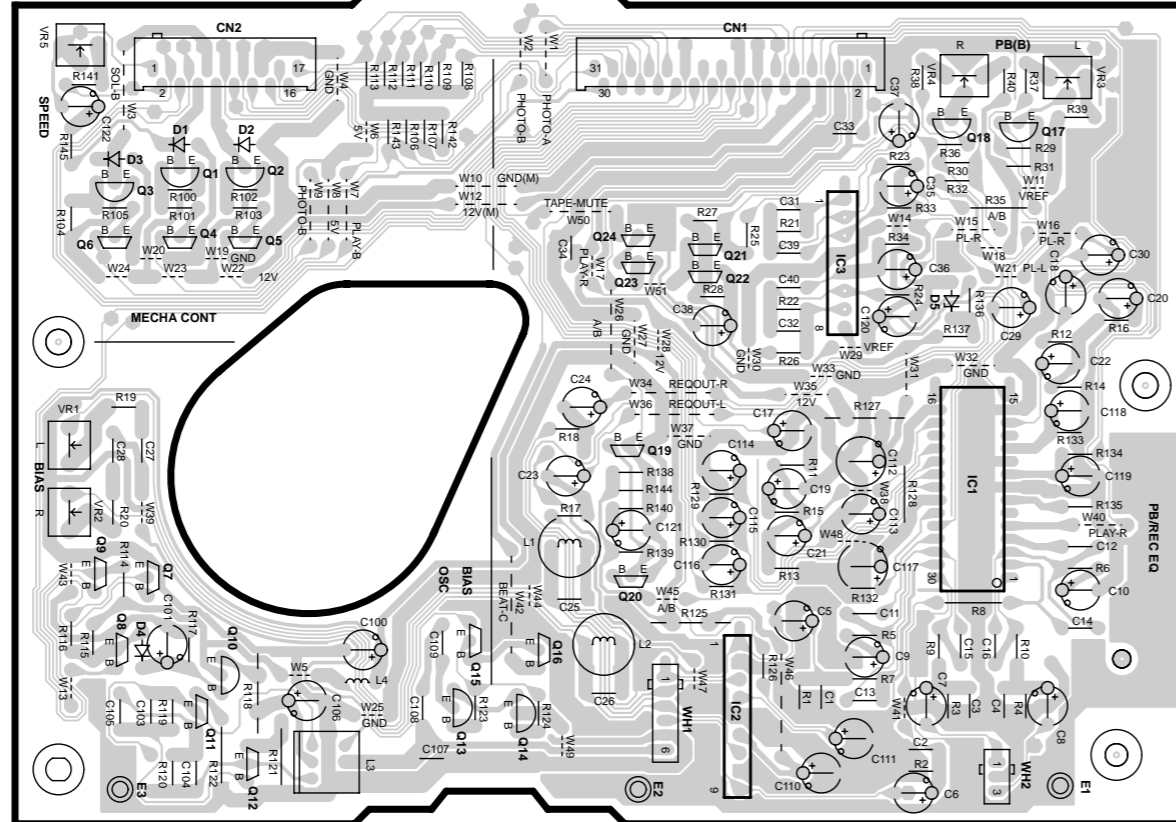
X07-3160-10 A/2 (J70-1383-11)



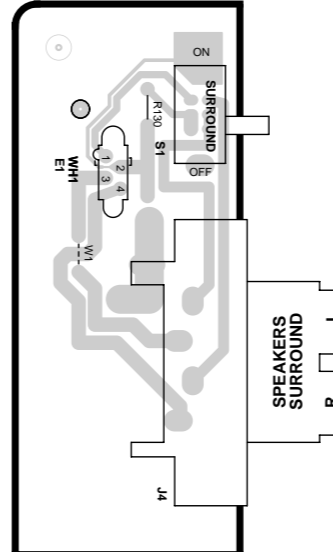
X14 B/2



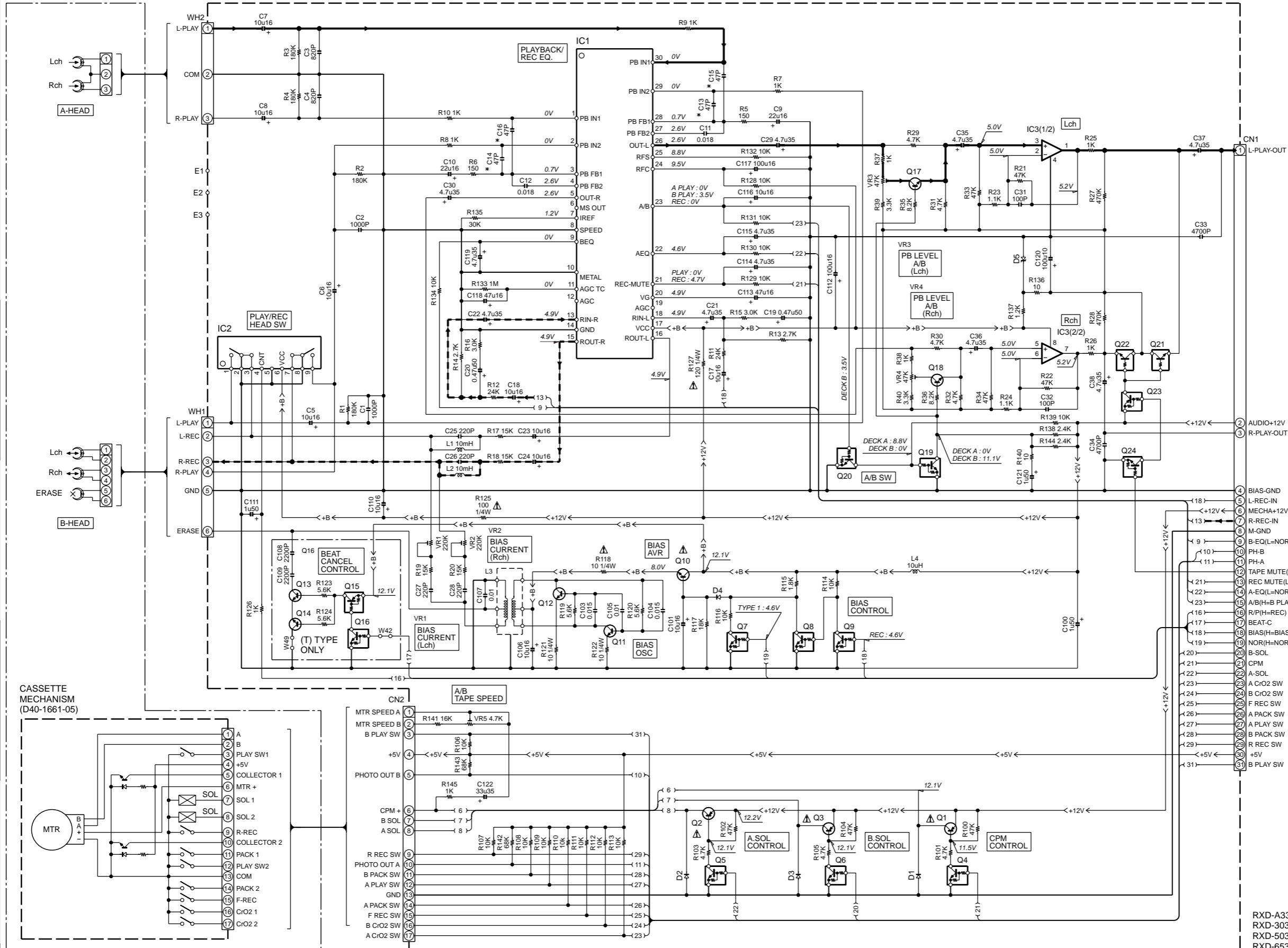
X28-3040-10 (J70-1385-12)



X07 B/2



Refer to the schematic diagram for the value of resistors and capacitors.



--- RECORDING LINE
 --- SIGNAL LINE
 --- GND LINE
 --- +B LINE

- IC1 : CXA1498S
- IC2 : BA3126N
- IC3 : NJM4565L
- IC1-3 : 2SA1286-T11
- Q4-9,16,19,20,24 : KRC103M or UN4212
- Q10 : KTC3205 or 2SC3940A(R,S)
- Q11,12 : KTC3199(Y,GR) or 2SC2785(F,E)
- Q13,14 : KTC3200 or 2SC1845(F,E)
- Q15,23 : KRA103M or UN4112
- Q17,18 : 2SC2878(B)
- Q21,22 : UN4216 or DTC143TSA
- D1-4 : 1SS133 or HSS104A
- D5 : MTZJ5.1(B) or HZS5.1N(B2)

RXD-A33 (X28-3040-10)

DESTINATION	COUNTRY	ABB.	UNIT No.	C13-16
U.S.A.	K		0-10	NO
CANADA	P		0-10	NO

RXD-303/303E (X28-304X-XX)

DESTINATION	COUNTRY	ABB.	UNIT No.	C13-16
U.S.A.	K		0-10	NO
EUROPE	E,E1		2-71	YES

RXD-503/503E (X28-304X-XX)

DESTINATION	COUNTRY	ABB.	UNIT No.	C13-16
U.S.A.	K		0-10	NO
CANADA	P		0-10	NO
EUROPE	E,E1		2-71	YES

RXD-653/653E (X28-304X-XX)

DESTINATION	COUNTRY	ABB.	UNIT No.	C13-16
U.K.	T		0-51	NO
EUROPE	E,E1		2-71	YES
AUSTRALIA	X		0-71	NO

RXD-A53/A53-GR (X28-3040-10)

DESTINATION	COUNTRY	ABB.	UNIT No.	C13-16
U.S.A.	K,K1		0-10	NO
CANADA	P,P1		0-10	NO

RXD-553/553E/553-GR/553E-GR (X28-304X-XX)

DESTINATION	COUNTRY	ABB.	UNIT No.	C13-16
PX	Y		0-10	NO
GENERAL MARKET	M,M5		0-10	NO
AUSTRALIA	X		0-10	NO
EUROPE	E,E1		2-71	YES
U.K.	T,T1		0-51	YES
KOREA	H		0-51	YES

RXD-353/353E (X28-304X-XX)

DESTINATION	COUNTRY	ABB.	UNIT No.	C13-16
PX	Y		0-10	NO
GENERAL MARKET	M,M5		0-10	NO
AUSTRALIA	X		0-10	NO
EUROPE	E,E1		2-71	YES
U.K.	T		0-51	YES

RXD-A33/A53/A53-GR (1/4)
 RXD-303/303E/353/353E (1/4)
 RXD-503/503E/553/553E/553-GR/553E-GR (1/4)
 RXD-653/653E (1/4)

CAUTION: For continued safety, replace safety critical components only with manufacturer's recommended parts (refer to parts list). Δ indicates safety critical components. For continued protection against risk of fire, replace only with same type and rating fuse(s). To reduce the risk of electric shock, leakage-current or resistance measurements shall be carried out (exposed parts are acceptably insulated from the supply circuit) before the appliance is returned to the customer.

The DC voltage is an actual reading measured with a high impedance type voltmeter with a cassette loaded at playback mode. The measurement value may vary depending on the measuring instruments used or on the product. Bias circuit DC voltage is measured while in the record mode.

DOLBY and the double-D symbol are trademarks of Dolby Laboratories Licensing Corporation. Noise reduction circuit made under license from Dolby Laboratories Licensing Corporation.

X28-CN1
1/4
A

RXD-503/503E (X32-380X-XX)												
DESTINATION	UNIT	①	②	R50	C43, 44	W19	W28, 31	CN3	CN7			
COUNTRY	ABB.	No.										
U.S.A.	K	0-10	YES	NO	NO	NO	YES	NO	YES	NO	YES	NO
CANADA	P	0-10	NO	NO	NO	NO	NO	NO	NO	NO	NO	NO
EUROPE	E,E1	2-71	NO	YES	YES	YES	NO	YES	NO	YES	NO	YES

RXD-303/303E (X32-380X-XX)												
DESTINATION	UNIT	①	②	R50	C43, 44	W19	W28, 31	CN3	CN7			
COUNTRY	ABB.	No.										
U.S.A.	K	0-10	YES	NO	NO	NO	YES	NO	YES	NO	YES	NO
EUROPE	E,E1	2-71	NO	YES	YES	YES	NO	YES	NO	YES	NO	YES

RXD-653/653E (X32-3802-71)												
DESTINATION	UNIT	①	②	R50	C43, 44	W19	W28, 31	CN3	CN7			
COUNTRY	ABB.	No.										
U.K.	T	2-71	NO	YES	YES	YES	NO	YES	NO	YES	NO	YES
EUROPE	E,E1	2-71	NO	YES	YES	YES	NO	YES	NO	YES	NO	YES
AUSTRALIA	X	0-10	YES	NO	NO	NO	YES	NO	YES	NO	YES	NO

RXD-A33 (X32-3800-10)												
DESTINATION	UNIT	①	②	R50	C43, 44	W19	W28, 31	CN3	CN7			
COUNTRY	ABB.	No.										
U.S.A.	K	0-10	YES	NO	NO	NO	YES	NO	YES	NO	YES	NO
CANADA	P	0-10	NO	NO	NO	NO	NO	NO	NO	NO	NO	NO

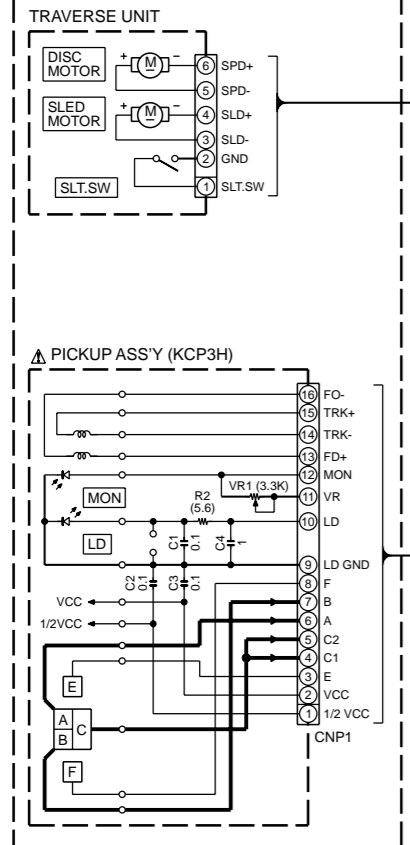
RXD-353/353E (X32-380X-XX)												
DESTINATION	UNIT	①	②	R50	C43, 44	W19	W28, 31	CN3	CN7			
COUNTRY	ABB.	No.										
PX	Y	0-10	YES	NO	NO	NO	YES	NO	YES	NO	YES	NO
GENERAL MARKET	M,M5	0-10	YES	NO	NO	NO	YES	NO	YES	NO	YES	NO
AUSTRALIA	X	0-10	YES	NO	NO	NO	YES	NO	YES	NO	YES	NO
U.K.	T	0-10	YES	NO	NO	NO	YES	NO	YES	NO	YES	NO
EUROPE	E,E1	2-71	NO	YES	YES	YES	NO	YES	NO	YES	NO	YES
KOREA	H	0-10	YES	NO	NO	NO	YES	NO	YES	NO	YES	NO

RXD-A53/A53-GR (X32-3800-10)												
DESTINATION	UNIT	①	②	R50	C43, 44	W19	W28, 31	CN3	CN7			
COUNTRY	ABB.	No.										
U.S.A.	K,K1	0-10	YES	NO	NO	NO	YES	NO	YES	NO	YES	NO
CANADA	P,P1	0-10	YES	NO	NO	NO	YES	NO	YES	NO	YES	NO

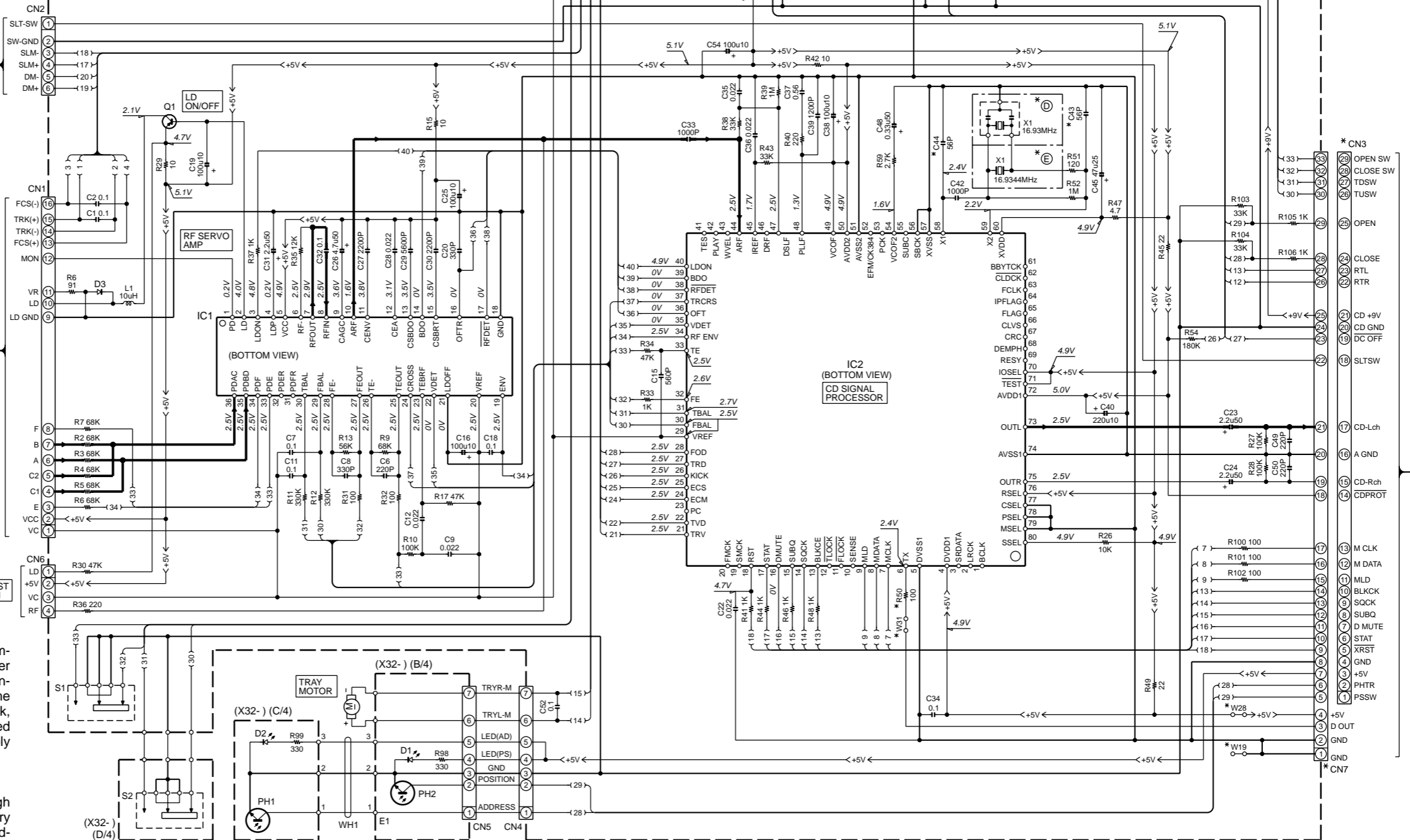
RXD-553/553E/553-GR/553E-GR (X32-380X-XX)												
DESTINATION	UNIT	①	②	R50	C43, 44	W19	W28, 31	CN3	CN7			
COUNTRY	ABB.	No.										
PX	Y	0-10	YES	NO	NO	NO	YES	NO	YES	NO	YES	NO
GENERAL MARKET	M,M5	0-10	YES	NO	NO	NO	YES	NO	YES	NO	YES	NO
AUSTRALIA	X	0-10	YES	NO	NO	NO	YES	NO	YES	NO	YES	NO
U.K.	T,T1	2-71	NO	YES	YES	YES	NO	YES	NO	YES	NO	YES
EUROPE	E,E1	2-71	NO	YES	YES	YES	NO	YES	NO	YES	NO	YES

(X32-380X-XX)
 IC1 : AN8806SB
 IC2 : MN35520 or MN662748RPMFA
 IC3 : BA5936S
 Q1 : 2SA954(L,K)
 Q2 : KTA1046 or 2SB1370 or 2SB1375
 D1,2 : SIR-34ST3F(KL)
 D3 : 1SS133 or HSS104A
 PH1,2 : RPT-37PB3F(MN)

CD MECHANISM ASSY
(D40-1668-05)

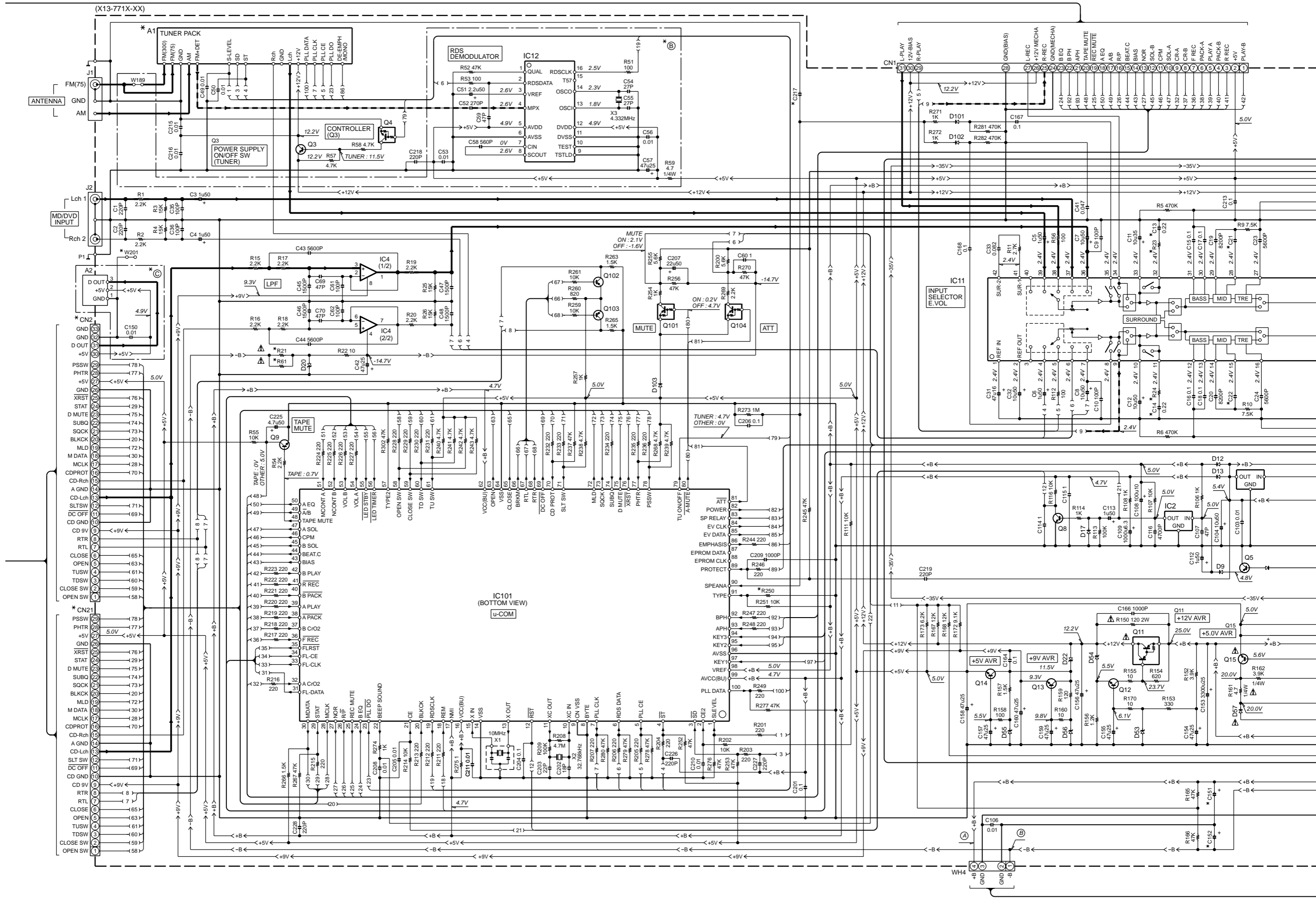


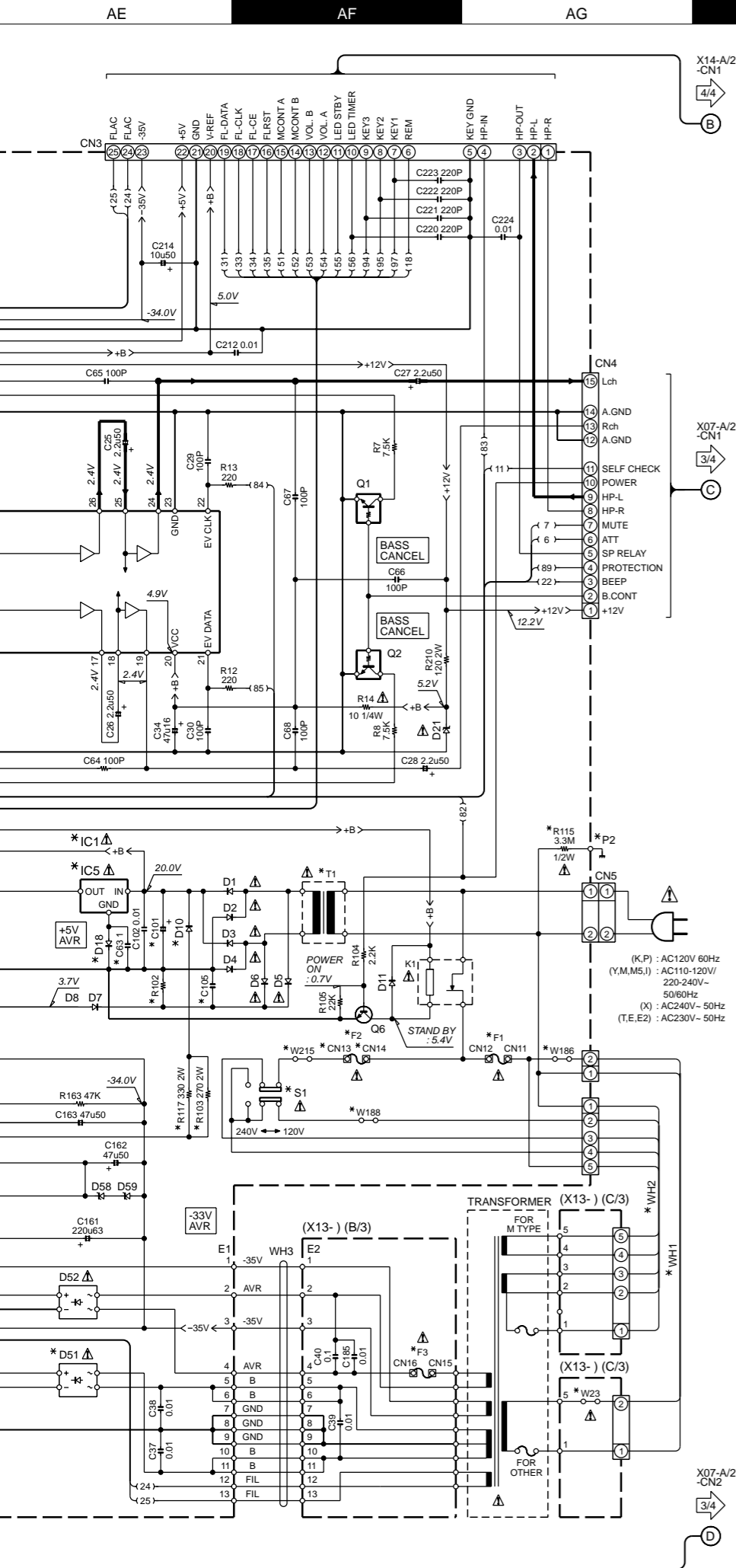
(X32-380X-XX) (A/4)



CAUTION: For continued safety, replace safety critical components only with manufacturer's recommended parts (refer to parts list). Δ indicates safety critical components. For continued protection against risk of fire, replace only with same type and rating fuse(s). To reduce the risk of electric shock, leakage-current or resistance measurements shall be carried out (exposed parts are acceptably insulated from the supply circuit) before the appliance is returned to the customer.

The DC voltage is an actual reading measured with a high impedance type voltmeter. The measurement value may vary depending on the measuring instruments used or on the product. Refer to the voltage during PLAY unless otherwise specified; The value shown in () is the voltage measured at the moment of STOP.





RXD-A53/A53-GR (X13-7710-10)																	
DESTINATION	UNIT	A1	(B)	(C)	IC1	IC5	D10	D18	D51	C13, 14	C21, 22	C63	C101	C105	C151, 152	C217	T1
COUNTRY	ABB.	No.															
U.S.A.	K,K1	0-10	W02-2743-05	NO	YES	NO	YES	NO	D4SBL20UF03	YES	6800P	NO	3300u	0.1	4700u	220P	L07-2761-05
CANADA	P,P1																

RXD-A33 (X13-7710-11)																		
DESTINATION	UNIT	A1	(B)	(C)	IC1	IC5	D10	D18	D51	C13, 14	C21, 22	C63	C101	C105	C151, 152	C217	T1	
COUNTRY	ABB.	No.																
U.S.A.	K	0-11	W02-2743-05	NO	YES	NO	YES	NO	TSS4B03G-B1	YES	8200P	NO	3300u	0.1	3300u	56	220P	L07-2761-05
CANADA	P																	

RXD-653/653E (X13-771X-XX)																			
DESTINATION	UNIT	A1	(B)	(C)	IC1	IC5	D10	D18	D51	C13, 14	C21, 22	C63	C101	C105	C151, 152	C217	T1		
COUNTRY	ABB.	No.																	
U.K.	T	0-51	W02-2745-05	YES	NO	YES	NO	YES	D4SBL20UF03	NO	6800P	YES	3300u	16	0.039	3300u	63	470P	L07-2758-05
EUROPE	E,E1	2-71	W02-2747-05	NO	NO	YES	NO	YES		YES	8200P	NO	3300u	16	0.039	3300u	63	NO	L07-2758-05
AUSTRALIA	X	0-71	W02-2746-05	NO	NO	YES	NO	YES		YES	8200P	NO	3300u	16	0.039	3300u	63	NO	L07-2758-05

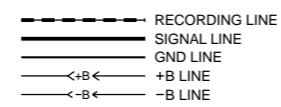
RXD-303/303E (X13-771X-XX)																			
DESTINATION	UNIT	A1	(B)	(C)	IC1	IC5	D10	D18	D51	C13, 14	C21, 22	C63	C101	C105	C151, 152	C217	T1		
COUNTRY	ABB.	No.																	
U.S.A.	K	0-11	W02-2743-05	NO	YES	NO	YES	NO	TSS4B03G-B1	YES	8200P	NO	3300u	25	0.1	3300u	56	220P	L07-2761-05
EUROPE	E,E1	2-72	W02-2747-05	YES	NO	YES	NO	YES		NO	8200P	YES	3300u	16	0.039	3300u	50	NO	L07-2758-05

RXD-503/503E (X13-771X-XX)																			
DESTINATION	UNIT	A1	(B)	(C)	IC1	IC5	D10	D18	D51	C13, 14	C21, 22	C63	C101	C105	C151, 152	C217	T1		
COUNTRY	ABB.	No.																	
U.S.A.	K	0-10	W02-2743-05	NO	YES	NO	YES	NO	D4SBL20UF03	YES	6800P	NO	3300u	25	0.1	4700u	68	220P	L07-2761-05
CANADA	P																		
EUROPE	E,E1	2-71	W02-2747-05	YES	NO	YES	NO	YES		NO	6800P	YES	3300u	16	0.039	3300u	63	NO	L07-2758-05

RXD-553/553E/553-GR/553E-GR (X13-771X-XX)																			
DESTINATION	UNIT	A1	(B)	(C)	IC1	IC5	D10	D18	D51	C13, 14	C21, 22	C63	C101	C105	C151, 152	C217	T1		
COUNTRY	ABB.	No.																	
PX	Y	0-21	W02-2744-05	NO	NO	YES	YES	NO	D4SBL20UF03	YES	6800P	YES	3300u	16	0.056	3300u	63	220P	L07-2805-05
GENERAL MARKET	M																		
AUSTRALIA	X	0-71	W02-2746-05	NO	NO	YES	NO	YES		NO	6800P	YES	3300u	16	0.039	3300u	63	470P	L07-2758-05
U.K.	T,T1	0-51	W02-2745-05	YES	NO	YES	NO	YES		NO	6800P	YES	3300u	16	0.039	3300u	63	NO	L07-2758-05
EUROPE	E,E1	2-71	W02-2747-05	YES	NO	YES	NO	YES		NO	6800P	YES	3300u	16	0.039	3300u	63	NO	L07-2758-05

RXD-353/353E (X13-771X-XX)																			
DESTINATION	UNIT	A1	(B)	(C)	IC1	IC5	D10	D18	D51	C13, 14	C21, 22	C63	C101	C105	C151, 152	C217	T1		
COUNTRY	ABB.	No.																	
PX	Y	0-22	W02-2744-05	NO	NO	YES	YES	NO	TSS4B03G-B1	YES	8200P	YES	3300u	16	0.056	3300u	50	220P	L07-2805-05
GENERAL MARKET	M																		
AUSTRALIA	X	0-72	W02-2746-05	NO	NO	YES	NO	YES		NO	8200P	YES	3300u	16	0.039	3300u	50	470P	L07-2758-05
U.K.	T	0-52	W02-2745-05	YES	NO	YES	NO	YES		NO	8200P	YES	3300u	16	0.039	3300u	50	NO	L07-2758-05
KOREA	H																		
EUROPE	E,E1	2-72	W02-2747-05	YES	NO	YES	NO	YES		NO	8200P	YES	3300u	16	0.039	3300u	50	NO	L07-2758-05

(X13-) D51			
MODELS	RXD-A33/303/353	RXD-A53/503/553/653	
	K/P TYPE	OTHERS	K/P TYPE
(A) (+B)	+53.3V	+44.0V	+58.5V
(B) (-B)	-53.3V	-44.0V	-53.3V



RXD-A33/A53/A53-GR (2/4)
 RXD-303/303E/353/353E (2/4)
 RXD-503/503E/553/553E/553-GR/553E-GR (2/4)
 RXD-653/653E (2/4)

- (X13-771X-XX)
- IC1 : XC62FP5102P
 - IC2 : S-80840ANY
 - IC4 : NJM4565M
 - IC5 : BA05T
 - IC11 : M62498AFP
 - IC12 : BU1923F
 - IC101 : M30622MA-A62FP
- Q1,2 : DTC143TUA or UN5216
 Q3 : 2SB1412F5(Q,R)
 Q4 : DTC124EUA or UN5212
 Q5 : KTA1268 or 2SA992(F,E)
 Q6 : 2SC2003(L,K)
 Q8,12 : KTC3199(Y,GR) or 2SC2785(F,E)
 Q9 : 2SC4081
 Q11 : 2SB1659*2
 Q13,14 : 2SD2012 or 2SD2061
 Q15 : 2SC3940A(R,S)
 Q101,104 : DTA1132UA or UN5119
 Q102,103 : KTA1267(Y,GR) or 2SA1175(F,E)
- D1-8,10,11,101,102,103 : 1SS133 or HSS104A
 MA111
- D9,103 : RB721Q
 D12,13,18,101,102,103 : MTZ15(B) or RD15ES(B2)
 D20 : MTZJ5.1(B) or RD5.1ES(B2)
 D21 : S5688B
 * : D2SBA20F30
 D22,57 : MTZJ6.2(B) or RD6.2ES(B2)
 D51 : MTZJ6.8(B) or RD6.8ES(B2)
 D53 : D54 : MTZ5.6(B) or RD5.6ES(B2)
 D55 : MTZJ10(B) or RD10ES(B2)
 D56 : MTZJ20(B) or RD20ES(B)
 D58,59

2SA1286-T11 2SC2878 2SB1624A 2SD2560
 2SA954 2SC3940A 2SB1647 2SD2493A
 2SA992 2SC1845 2SC2003 2SC2631

2SA1175 2SC2785 DTC143TSA UN4112 DTC143TUA UN5119 UN5216

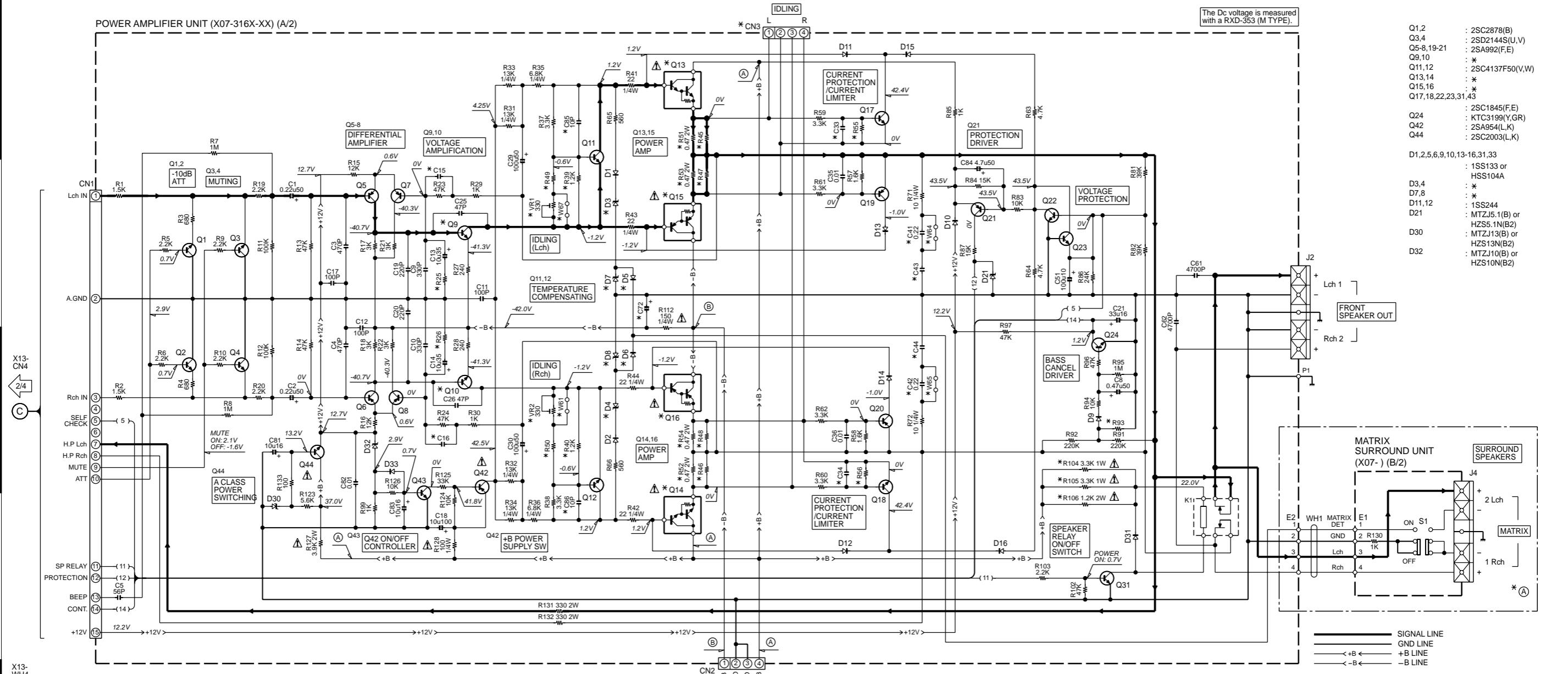
2SB1370 2SD2061 UN4212 UN4216 KTA1268 KTC3200

2SB1412F5 2SB1375 2SD2012 2SC4081 BA3126N

2SC4137F50 DTC124EUA NJM4565M KTA1046

UN5212 NJM4565L AN8806SB CXA1498S

XC62FP5102P S-80840ANY BA5936S BA05T



- Q1,2 : 2SC2878(B)
- Q3,4 : 2SD2144S(U,V)
- Q5-8,19-21 : 2SA992(F,E)
- Q9,10 : *
- Q11,12 : 2SC4137F50(V,W)
- Q13,14 : *
- Q15,16 : *
- Q17,18,22,23,31,43 : *
- Q24 : 2SC1845(F,E)
- Q42 : KTC3199(Y,GR)
- Q44 : 2SA954(L,K)
- Q44 : 2SC2003(L,K)
- D1,2,5,6,9,10,13-16,31,33 : 1SS133 or HSS104A
- D3,4 : *
- D7,8 : *
- D11,12 : 1SS244
- D21 : MTZJ5.1(B) or HZS5.1N(B2)
- D30 : MTZJ13(B) or HZS13N(B2)
- D32 : MTZJ10(B) or HZS10N(B2)

The DC voltage is an actual reading measured with a high impedance type voltmeter with no signal input. The measurement value may vary depending on the measuring instruments used or on the product.

DESTINATION		UNIT No.	A	R25	R39,40	R45	R49	R51-54	R55	R93	C15	C33	C41	C43	C72	C85	D3,4	D5	D7,8	W61	W64	Q9,10	Q13,14	Q15,16	VR1,2	CN3
COUNTRY	ABB.			26	106	48	50	104,105	56	104,105	56	16	34	42	44	7P	86	6	6	67	65	67	65	Q9,10	Q13,14	Q15,16
U.S.A.	K	0-11	NO	680	YES	0.22 2W	47K	NO	1.2K 4.3K	7P	0.022	NO	0.1	47u63	NO	MTZJ20(B) or HZS20N(B2)	NO	MTZJ16(B) or HZS16N(B2)	YES	YES	2SC1845(F,E)	2SD2493A	2SB1624A	NO	NO	
EUROPE	E,E1	2-72	YES	680	YES	0.22 2W	47K	NO	1.3K 5.1K	7P	0.022	YES	0.22	47u63	NO	MTZJ18(B) or HZS18N(B2)	YES	MTZJ13(B) or HZS13N(B2)	NO	NO	2SC1845(F,E)	2SD2493A	2SB1624A	NO	NO	

DESTINATION		UNIT No.	A	R25	R39,40	R45	R49	R51-54	R55	R93	C15	C33	C41	C43	C72	C85	D3,4	D5	D7,8	W61	W64	Q9,10	Q13,14	Q15,16	VR1,2	CN3
COUNTRY	ABB.			26	106	48	50	104,105	56	104,105	56	16	34	42	44	7P	86	6	6	67	65	67	65	Q9,10	Q13,14	Q15,16
U.S.A.	K	0-10	NO	470	NO	0.47 2W	1K	NO	1K 3.9K	3P	0.033	NO	0.1	22u100	NO	MTZJ18(B) or HZS18N(B2)	NO	MTZJ24(B) or HZS24N(B2)	NO	NO	2SC2631(R,S)	2SD2560	2SB1647	YES	YES	
CANADA	P	0-10	NO	470	NO	0.47 2W	1K	NO	1K 3.9K	3P	0.033	NO	0.1	22u100	NO	MTZJ18(B) or HZS18N(B2)	NO	MTZJ24(B) or HZS24N(B2)	NO	NO	2SC2631(R,S)	2SD2560	2SB1647	YES	YES	

DESTINATION		UNIT No.	A	R25	R39,40	R45	R49	R51-54	R55	R93	C15	C33	C41	C43	C72	C85	D3,4	D5	D7,8	W61	W64	Q9,10	Q13,14	Q15,16	VR1,2	CN3
COUNTRY	ABB.			26	106	48	50	104,105	56	104,105	56	16	34	42	44	7P	86	6	6	67	65	67	65	Q9,10	Q13,14	Q15,16
U.S.A.	K	0-11	NO	680	YES	0.22 2W	47K	NO	1.2K 4.3K	7P	0.022	NO	0.1	47u63	NO	MTZJ20(B) or HZS20N(B2)	NO	MTZJ16(B) or HZS16N(B2)	NO	YES	2SC1845(F,E)	2SD2493A	2SB1624A	NO	NO	
CANADA	P	0-11	NO	680	YES	0.22 2W	47K	NO	1.2K 4.3K	7P	0.022	NO	0.1	47u63	NO	MTZJ20(B) or HZS20N(B2)	NO	MTZJ16(B) or HZS16N(B2)	NO	YES	2SC1845(F,E)	2SD2493A	2SB1624A	NO	NO	

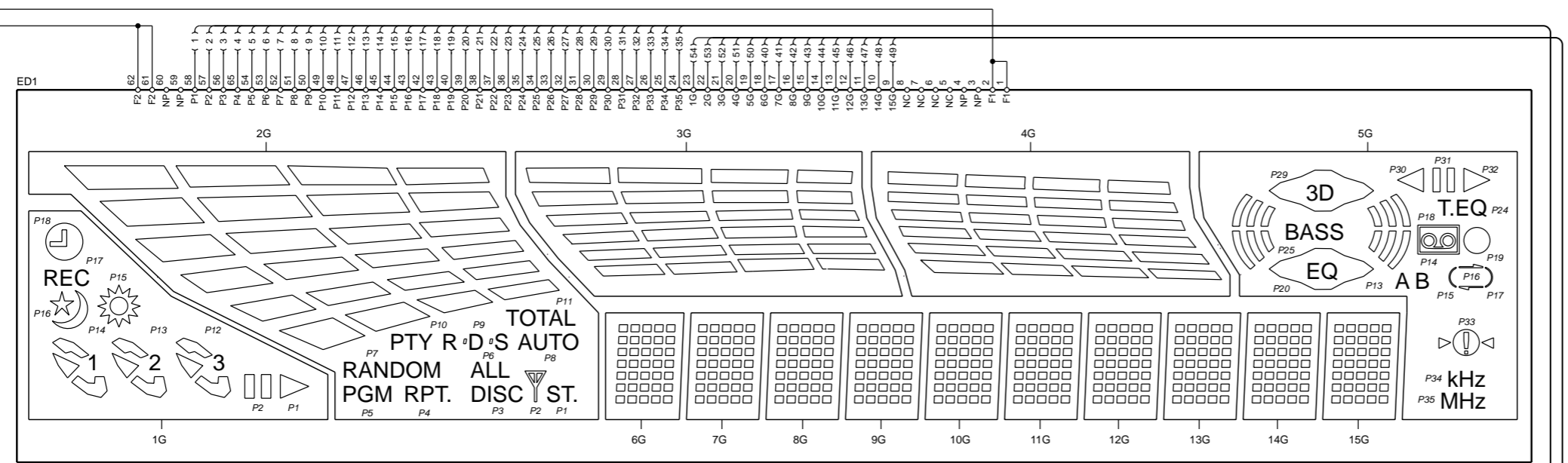
DESTINATION		UNIT No.	A	R25	R39,40	R45	R49	R51-54	R55	R93	C15	C33	C41	C43	C72	C85	D3,4	D5	D7,8	W61	W64	Q9,10	Q13,14	Q15,16	VR1,2	CN3
COUNTRY	ABB.			26	106	48	50	104,105	56	104,105	56	16	34	42	44	7P	86	6	6	67	65	67	65	Q9,10	Q13,14	Q15,16
U.S.A.	K,K1	0-10	NO	470	NO	0.47 2W	1K	YES	1K 3.9K	3P	0.033	NO	0.1	22u100	YES	MTZJ18(B) or HZS18N(B2)	NO	MTZJ24(B) or HZS24N(B2)	NO	YES	2SC2631(R,S)	2SD2560	2SB1647	YES	YES	
CANADA	P,P1	0-10	NO	470	NO	0.47 2W	1K	YES	1K 3.9K	3P	0.033	NO	0.1	22u100	YES	MTZJ18(B) or HZS18N(B2)	NO	MTZJ24(B) or HZS24N(B2)	NO	YES	2SC2631(R,S)	2SD2560	2SB1647	YES	YES	

DESTINATION		UNIT No.	A	R25	R39,40	R45	R49	R51-54	R55	R93	C15	C33	C41	C43	C72	C85	D3,4	D5	D7,8	W61	W64	Q9,10	Q13,14	Q15,16	VR1,2	CN3
COUNTRY	ABB.			26	106	48	50	104,105	56	104,105	56	16	34	42	44	7P	86	6	6	67	65	67	65	Q9,10	Q13,14	Q15,16
U.S.A.	K	0-11	NO	680	YES	0.22 2W	47K	NO	1.2K 4.3K	7P	0.022	NO	0.1	47u63	NO	MTZJ20(B) or HZS20N(B2)	NO	MTZJ16(B) or HZS16N(B2)	NO	YES	2SC1845(F,E)	2SD2493A	2SB1624A	NO	NO	
CANADA	P	0-11	NO	680	YES	0.22 2W	47K	NO	1.2K 4.3K	7P	0.022	NO	0.1	47u63	NO	MTZJ20(B) or HZS20N(B2)	NO	MTZJ16(B) or HZS16N(B2)	NO	YES	2SC1845(F,E)	2SD2493A	2SB1624A	NO	NO	

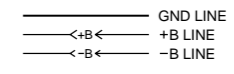
CAUTION: For continued safety, replace safety critical components only with manufacturer's recommended parts (refer to parts list). Δ indicates safety critical components. For continued protection against risk of fire, replace only with same type and rating fuse(s). To reduce the risk of electric shock, leakage-current or resistance measurements shall be carried out (exposed parts are acceptably insulated from the supply circuit) before the appliance is returned to the customer.

RXD-303/353/503/553/653/A33/A53

(X14-7110-XX) (A/2)



- IC1 : LC75711NED
- Q1-5 : KTC3199(Y,GR) or 2SC2785(F,E)
- D1 : MTZJ6.2(B) or HZS6.2N(B2)
- D2,3 : B30-2567-05
- ED1 : HNA-15MM18T



RXD-A33 (X14-7110-11)

DESTINATION	UNIT No.
COUNTRY	ABB.
U.S.A.	K
CANADA	P

RXD-503/503E (X14-7110-10)

DESTINATION	UNIT No.
COUNTRY	ABB.
U.S.A.	K
CANADA	P
EUROPE	E.E1

RXD-303/303E (X14-7110-11)

DESTINATION	UNIT No.
COUNTRY	ABB.
U.S.A.	K
CANADA	E.E1

RXD-653/653E (X14-7110-10)

DESTINATION	UNIT No.
COUNTRY	ABB.
U.K.	T
EUROPE	E.E1
AUSTRALIA	X

RXD-A53/A53-GR (X14-7110-10)

DESTINATION	UNIT No.
COUNTRY	ABB.
U.S.A.	K,K1
CANADA	P,P1

RXD-353/353E (X14-7110-11)

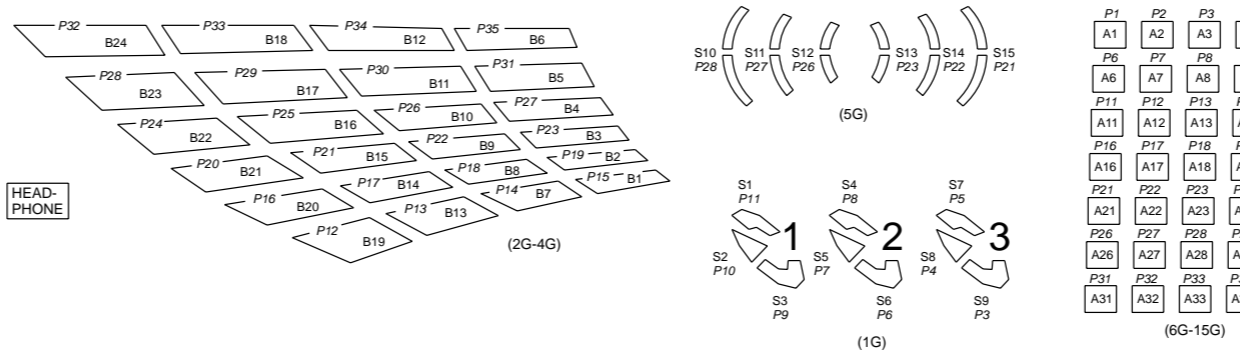
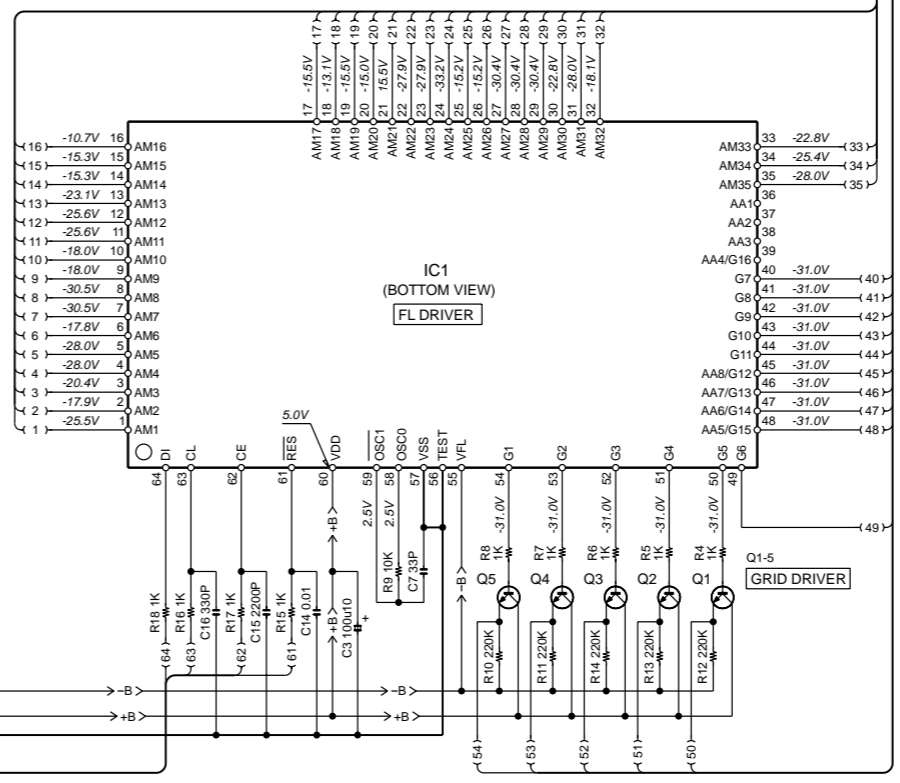
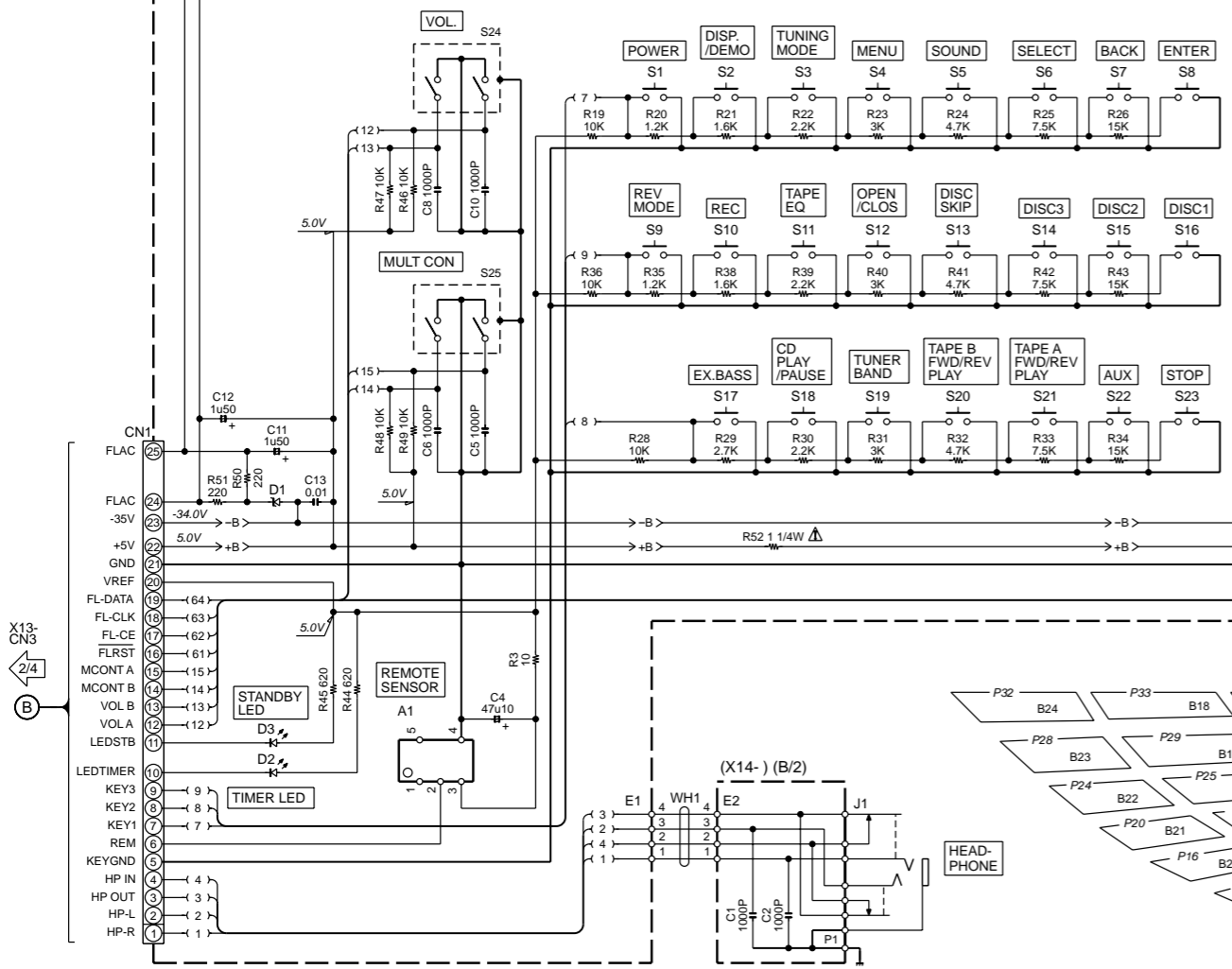
DESTINATION	UNIT No.
COUNTRY	ABB.
PX	Y
GENERAL MARKET	M
AUSTRALIA	X
U.K.	T
EUROPE	E.E1
GENERAL MARKET	M5
KOREA	H

RXD-553/553E/553-GR/553E-GR (X14-7110-10)

DESTINATION	UNIT No.
COUNTRY	ABB.
PX	Y
GENERAL MARKET	M
AUSTRALIA	X
U.K.	T,T1
EUROPE	E.E1
GENERAL MARKET	M5

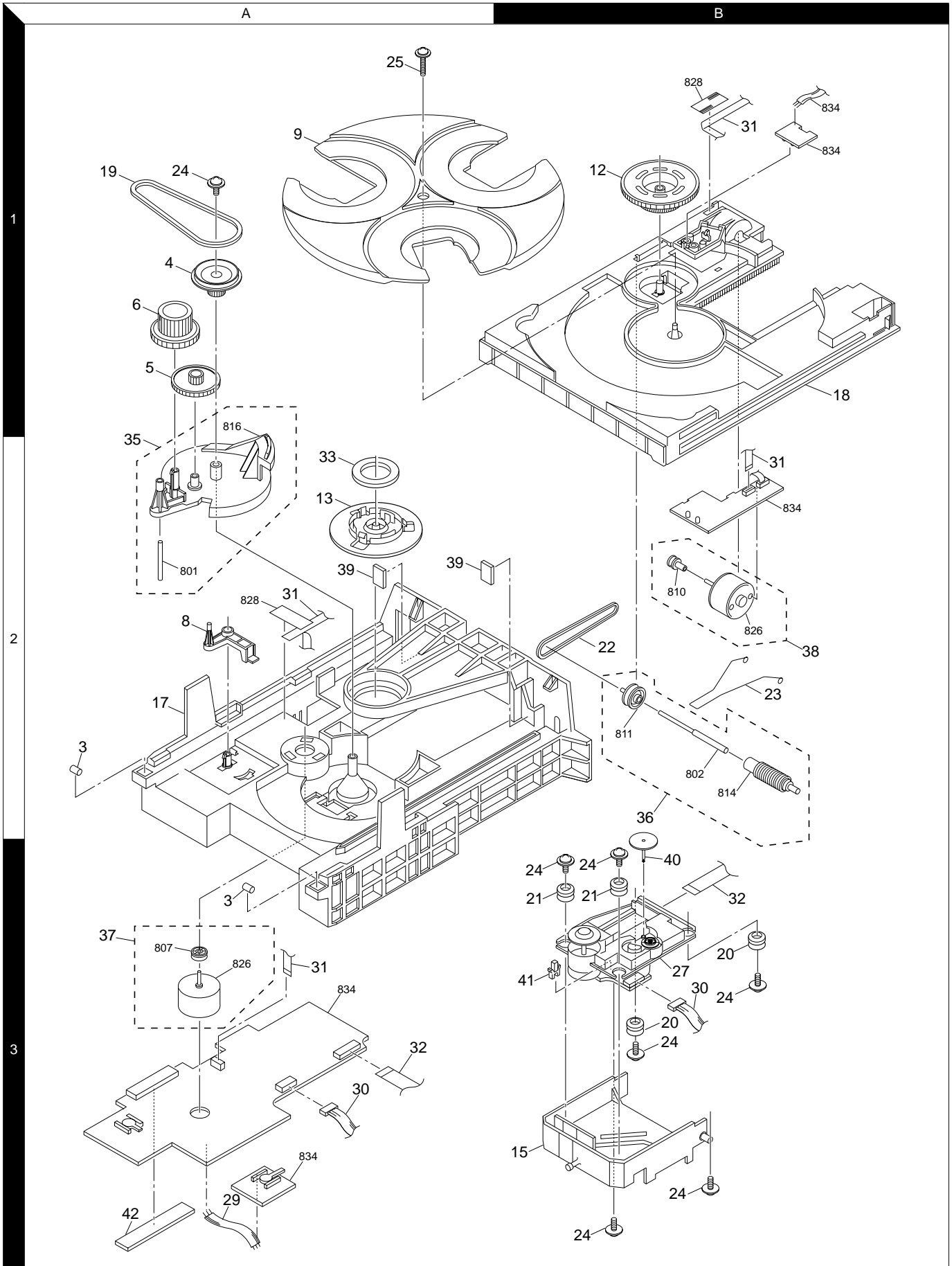
RXD-A33/A53/A53-GR (4/4)
 RXD-303/303E/353/353E (4/4)
 RXD-503/503E (4/4)
 RXD-553/553E/553-GR/553E-GR (4/4)
 RXD-653/653E (4/4)

The DC voltage is an actual reading measured with a high impedance type voltmeter with no signal input. The measurement value may vary depending on the measuring instruments used or on the product.



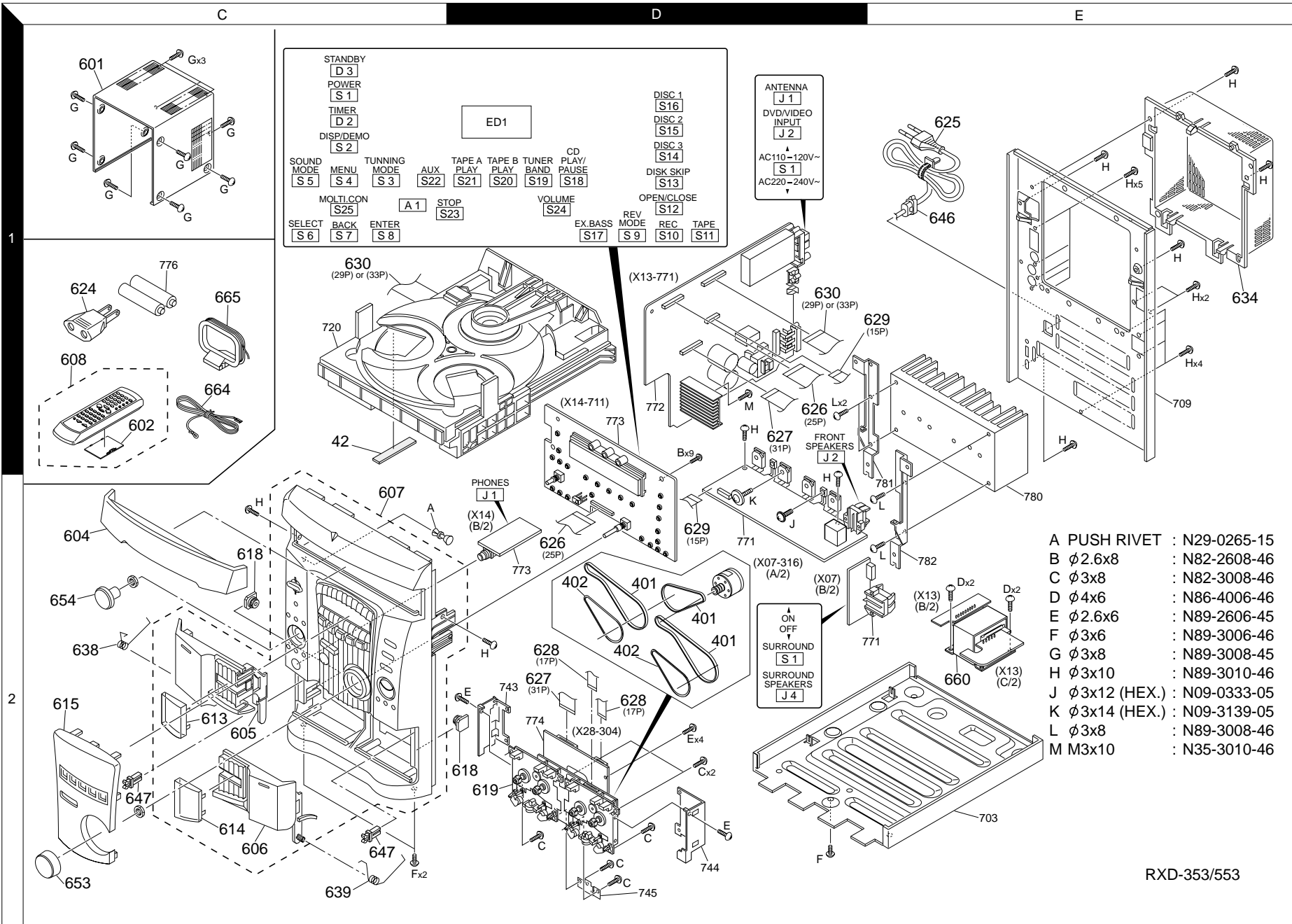
CAUTION: For continued safety, replace safety critical components only with manufacturer's recommended parts (refer to parts list). Δ indicates safety critical components. For continued protection against risk of fire, replace only with same type and rating fuse(s). To reduce the risk of electric shock, leakage-current or resistance measurements shall be carried out (exposed parts are acceptably insulated from the supply circuit) before the appliance is returned to the customer.

EXPLODED VIEW (MECHANISM)



Parts with exploded numbers larger than 700 are not supplied.

EXPLODED VIEW (UNIT)



A	PUSH RIVET	: N29-0265-15
B	φ2.6x8	: N82-2608-46
C	φ3x8	: N82-3008-46
D	φ4x6	: N86-4006-46
E	φ2.6x6	: N89-2606-45
F	φ3x6	: N89-3006-46
G	φ3x8	: N89-3008-45
H	φ3x10	: N89-3010-46
J	φ3x12 (HEX.)	: N09-0333-05
K	φ3x14 (HEX.)	: N09-3139-05
L	φ3x8	: N89-3008-46
M	M3x10	: N35-3010-46

RXD-353/553

Parts with exploded numbers larger than 700 are not supplied.

* New Parts
 Parts without **Parts No.** are not supplied.
 Les articles non mentionnés dans le **Parts No.** ne sont pas fournis.
 Teile ohne **Parts No.** werden nicht geliefert.

①

Ref. No	Address	New Parts	Parts No.	Description	Destination	Remarks
RXD-553/553E/553-GR/553E-GR/A53/A53-GR						
601	1C	*	A01-3739-01	METALLIC CABINET		
602	1C	*	A09-1151-08	BATTERY COVER		
604	2C	*	A29-1082-02	PANEL (CD)		
605	2C	*	A53-2175-11	CASSETTE HOLDER (L)		
606	2C	*	A53-2176-11	CASSETTE HOLDER (R)		
607	2C	*	A60-1769-21	PANEL ASSY (RXD-A53)	KP	
607	2C	*	A60-1771-21	PANEL ASSY (RXD-553/553E)	TEE1	
607	2C	*	A60-1771-21	PANEL ASSY (RXD-553)	YMXM5	
607	2C	*	A60-1840-21	PANEL ASSY (RXD-A53-GR)	K1P1	
607	2C	*	A60-1841-21	PANEL ASSY (RXD-553/553E-GR)	T1EE1	
608	1C	*	A70-1337-05	REMOTE CONTROLLER ASSY	KPK1P1	
608	1C	*	A70-1337-05	REMOTE CONTROLLER ASSY	YMXM5	
608	1C	*	A70-1338-05	REMOTE CONTROLLER ASSY	TT1EE1	
613	2C	*	B10-3561-03	FRONT GLASS (L) (A53)	KP	
613	2C	*	B10-3561-03	FRONT GLASS (L) (553/553E)	TEE1	
613	2C	*	B10-3600-03	FRONT GLASS (L) (A53-GR)	K1P1	
613	2C	*	B10-3600-03	FRONT GLASS (L) (553/553E-GR)	T1EE1	
614	2C	*	B10-3562-03	FRONT GLASS (R) (A53)	KP	
614	2C	*	B10-3562-03	FRONT GLASS (R) (553/553E)	TEE1	
614	2C	*	B10-3601-03	FRONT GLASS (R) (A53-GR)	K1P1	
614	2C	*	B10-3601-03	FRONT GLASS (R) (553/553E-GR)	T1EE1	
615	2C	*	B10-3563-02	FRONT GLASS (A53)	KP	
615	2C	*	B10-3564-02	FRONT GLASS (553)	YMXM5	
615	2C	*	B10-3565-02	FRONT GLASS (553/553E)	TEE1	
615	2C	*	B10-3602-02	FRONT GLASS (A53-GR)	K1P1	
615	2C	*	B10-3603-02	FRONT GLASS (553/553E-GR)	T1EE1	
-	-	-	B46-0096-53	WARRANTY CARD	X	
-	-	-	B46-0310-03	WARRANTY CARD	TT1EE1	
-	-	-	B46-0328-03	WARRANTY CARD	KK1Y	
-	-	-	B46-0347-03	WARRANTY CARD	PP1	
-	-	-	B58-0513-04	CAUTION CARD (PRESET220-240)	Y	
-	-	-	B58-1643-04	CAUTION CARD (CASSETTE EJEK)	Y	
-	-	-	B59-1104-00	SERVICE DIRECTORY	Y	
-	-	*	B60-4473-00	INSTRUCTION MANUAL (EN)	KPK1P1	
-	-	*	B60-4473-00	INSTRUCTION MANUAL (EN)	TT1E1	
-	-	*	B60-4473-00	INSTRUCTION MANUAL (EN)	YMXM5	
-	-	*	B60-4474-00	INSTRUCTION MANUAL (FR)	EPP1	
-	-	*	B60-4475-00	INSTRUCTION MANUAL (GE)	E	
-	-	*	B60-4476-00	INSTRUCTION MANUAL (NE)	E	
-	-	*	B60-4477-00	INSTRUCTION MANUAL (IT)	E	
-	-	*	B60-4478-00	INSTRUCTION MANUAL (ES)	ME	
-	-	*	B60-4478-00	INSTRUCTION MANUAL (ES)	M5	
-	-	*	B60-4479-00	INSTRUCTION MANUAL (TC)	M	
-	-	*	B60-4480-00	INSTRUCTION MANUAL (AR)	M	
-	-	*	B60-4481-00	INSTRUCTION MANUAL (PL)	E1	
-	-	*	B60-4702-00	INSTRUCTION MANUAL (HU)	E1	
-	-	*	B60-4703-00	INSTRUCTION MANUAL (GZ)	E1	
-	-	*	B60-4704-00	INSTRUCTION MANUAL (RU)	E1	
618	2C,2D	*	D39-0334-15	DAMPER		
619	2D	*	D40-1661-15	CASSETTE MECHANISM ASSY		
△ 624	1C	*	E03-0115-05	AC PLUG ADAPTER	M	
△ 625	1E	*	E30-2605-05	AC POWER CORD	Y	

L : Scandinavia K : USA P : Canada R : Mexico C : China I : Malaysia
 Y : PX(Far East,Hawaii) T : England E : Europe G : Germany V : China(Shanghai)
 Y : AAFES(Europe) X : Australia Q : Russia H : Korea M : Other Areas △ indicates safety critical components.

* New Parts
 Parts without **Parts No.** are not supplied.
 Les articles non mentionnés dans le **Parts No.** ne sont pas fournis.
 Teile ohne **Parts No.** werden nicht geliefert.

②

Ref. No	Address	New Parts	Parts No.	Description	Destination	Remarks
△ 625	1E	*	E30-2717-05	AC POWER CORD	X	
△ 625	1E	*	E30-2829-05	AC POWER CORD	TT1	
△ 625	1E	*	E30-2939-05	AC POWER CORD	M5	
△ 625	1E	*	E30-2941-05	AC POWER CORD	KPK1P1	
△ 625	1E	*	E30-2942-05	AC POWER CORD	MEE1	
626	1D,2D	*	E35-2470-15	FLAT CABLE (25P)		
627	1D,2D	*	E35-2471-05	FLAT CABLE (31P)		
628	2D	*	E35-2542-05	FLAT CABLE (17P)		
629	1E,2D	*	E35-2543-05	FLAT CABLE (15P)		
630	1C,1D	*	E35-2547-05	FLAT CABLE (29P)		KPK1P1
630	1C,1D	*	E35-2547-05	FLAT CABLE (29P)		YMXM5
630	1C,1D	*	E35-2598-05	FLAT CABLE (33P)		TT1EE1
634	1E	*	F07-1692-01	COVER		
638	2C	*	G01-4170-04	TORSION COIL SPRING		
639	2C	*	G01-4171-04	TORSION COIL SPRING		
-	-	*	H10-7634-12	POLYSTYRENE FOAMED FIXTURE		
-	-	*	H10-7635-12	POLYSTYRENE FOAMED FIXTURE		
-	-	*	H21-0373-03	PROTECTION SHEET		
-	-	*	H25-1536-04	PROTECTION BAG		KPK1P1
-	-	*	H25-1536-04	PROTECTION BAG		TT1EE1
-	-	*	H25-1536-04	PROTECTION BAG		YX
-	-	*	H25-1642-04	PROTECTION BAG		MM5
-	-	*	H25-1654-04	PROTECTION BAG		KP
-	-	*	H50-3555-04	ITEM CARTON CASE(A53)		YX
-	-	*	H50-3556-04	ITEM CARTON CASE(553)		
-	-	*	H50-3557-04	ITEM CARTON CASE(553)		TE
-	-	*	H50-3558-04	ITEM CARTON CASE(553)		MM5
-	-	*	H50-3559-04	ITEM CARTON CASE(553E)		E1
-	-	*	H50-3717-04	ITEM CARTON CASE(A53-GR)		K1P1
-	-	*	H50-3718-04	ITEM CARTON CASE(553-GR)		T1E
-	-	*	H50-3719-04	ITEM CARTON CASE(553E-GR)		E1
△ 646	1E	*	J42-0083-05	POWER CORD BUSHING		
647	2C	*	J52-0039-05	PUSH LATCH		
-	-	*	J61-0307-05	WIRE BAND		
653	2C	*	K29-7721-04	KNOB		
654	2C	*	K29-7722-04	KNOB		
△ 660	2E	*	L07-2815-05	POWER TRANSFORMER		KPK1P1
△ 660	2E	*	L07-2816-05	POWER TRANSFORMER		YMXM5
△ 660	2E	*	L07-2817-05	POWER TRANSFORMER		X
△ 660	2E	*	L07-2818-05	POWER TRANSFORMER		TT1EE1
664	1C	*	T90-0836-05	LEAD WIRE ANTENNA		
665	1C	*	T90-0852-05	LOOP ANTENNA		
RXD-353/353E/A33						
601	1C	*	A01-3739-01	METALLIC CABINET		
602	1C	*	A09-1151-08	BATTERY COVER		
604	2C	*	A29-1082-02	PANEL (CD)		
605	2C	*	A53-2175-11	CASSETTE HOLDER (L)		
606	2C	*	A53-2176-11	CASSETTE HOLDER (R)		
607	2C	*	A60-1769-21	PANEL ASSY (RXD-A33)	KP	
607	2C	*	A60-1771-21	PANEL ASSY (RXD-353/353E)	TEE1H	

L : Scandinavia K : USA P : Canada R : Mexico C : China I : Malaysia
 Y : PX(Far East,Hawaii) T : England E : Europe G : Germany V : China(Shanghai)
 Y : AAFES(Europe) X : Australia Q : Russia H : Korea M : Other Areas △ indicates safety critical components.

PARTS LIST

RXD-303/353/503/553/653/653/A33/A53

* New Parts

Parts without **Parts No.** are not supplied.
Les articles non mentionnés dans le **Parts No.** ne sont pas fournis.
Teile ohne **Parts No.** werden nicht geliefert.

③

Ref. No	Add-ress	New Parts	Parts No.	Description	Desti-nation	Re-marks
607	2C	*	A60-1771-21	PANEL ASSY (RXD-353/353E)	YMXM5	
608	1C	*	A70-1337-05	REMOTE CONTROLLER ASSY	KPY	
608	1C	*	A70-1337-05	REMOTE CONTROLLER ASSY	MXM5	
608	1C	*	A70-1338-05	REMOTE CONTROLLER ASSY	TEE1H	
613	2C	*	B10-3561-03	FRONT GLASS (L)		
614	2C	*	B10-3562-03	FRONT GLASS (R)		
615	2C	*	B10-3593-02	FRONT GLASS (RXD-A33)	KP	
615	2C	*	B10-3594-02	FRONT GLASS (RXD-353/353E)	YMXM5	
615	2C	*	B10-3595-02	FRONT GLASS (RXD-353/353E)	TEE1H	
-			B46-0096-53	WARRANTY CARD	X	
-			B46-0310-03	WARRANTY CARD	TEE1	
-			B46-0328-03	WARRANTY CARD	KY	
-			B46-0347-03	WARRANTY CARD	P	
-			B58-0513-04	CAUTION CARD (PRESET220-240)	Y	
-			B58-1643-04	CAUTION CARD (CASSETTE EJEC)		
-			B59-1104-00	SERVICE DIRECTORY	Y	
-		*	B60-4473-00	INSTRUCTION MANUAL (EN)	EM5	
-		*	B60-4473-00	INSTRUCTION MANUAL (EN)	KPY	
-		*	B60-4473-00	INSTRUCTION MANUAL (EN)	MXT	
-		*	B60-4474-00	INSTRUCTION MANUAL (FR)	PE	
-		*	B60-4475-00	INSTRUCTION MANUAL (GE)	E	
-		*	B60-4476-00	INSTRUCTION MANUAL (NE)	E	
-		*	B60-4477-00	INSTRUCTION MANUAL (IT)	E	
-		*	B60-4478-00	INSTRUCTION MANUAL (ES)	EMM5	
-		*	B60-4479-00	INSTRUCTION MANUAL (TC)	M	
-		*	B60-4480-00	INSTRUCTION MANUAL (AR)	M	
-		*	B60-4481-00	INSTRUCTION MANUAL (PL)	E1	
-		*	B60-4702-00	INSTRUCTION MANUAL (HU)	E1	
-		*	B60-4703-00	INSTRUCTION MANUAL (GZ)	E1	
-		*	B60-4704-00	INSTRUCTION MANUAL (RU)	E1	
618	2C,2D		D39-0334-15	DAMPER		
619	2D	*	D40-1661-15	CASSETTE MECHANISM ASSY		
△ 624	1C		E03-0115-05	AC PLUG ADAPTER	M	
△ 625	1E		E30-2605-05	AC POWER CORD	Y	
△ 625	1E		E30-2717-05	AC POWER CORD	X	
△ 625	1E		E30-2829-05	AC POWER CORD	T	
△ 625	1E	*	E30-2845-05	AC POWER CORD	H	
△ 625	1E	*	E30-2939-05	AC POWER CORD	M5	
△ 625	1E	*	E30-2941-05	AC POWER CORD	KP	
△ 625	1E	*	E30-2942-05	AC POWER CORD	MEE1	
626	1D,2D	*	E35-2470-15	FLAT CABLE (25P)		
627	1D,2D	*	E35-2471-05	FLAT CABLE (31P)		
628	2D	*	E35-2542-05	FLAT CABLE (17P)		
629	1E,2D	*	E35-2543-05	FLAT CABLE (15P)		
630	1C,1D	*	E35-2547-05	FLAT CABLE (29P)		
634	1E	*	F07-1692-01	COVER		
638	2C	*	G01-4170-04	TORSION COIL SPRING		
639	2C	*	G01-4171-04	TORSION COIL SPRING		
-		*	H10-7634-12	POLYSTYRENE FOAMED FIXTURE		
-		*	H10-7635-12	POLYSTYRENE FOAMED FIXTURE		
-			H21-0373-03	PROTECTION SHEET		
-			H25-1536-04	PROTECTION BAG	KPYH	

L : Scandinavia K : USA P : Canada R : Mexico C : China I : Malaysia
Y : PX(Far East,Hawaii) T : England E : Europe G : Germany V : China(Shanghai)
Y : AAFES(Europe) X : Australia Q : Russia H : Korea M : Other Areas △ indicates safety critical components.

* New Parts

Parts without **Parts No.** are not supplied.
Les articles non mentionnés dans le **Parts No.** ne sont pas fournis.
Teile ohne **Parts No.** werden nicht geliefert.

④

Ref. No	Add-ress	New Parts	Parts No.	Description	Desti-nation	Re-marks
-			H25-1536-04	PROTECTION BAG	XTEE1	
-			H25-1642-04	PROTECTION BAG		
-			H25-1654-04	PROTECTION BAG	MM5H	
-		*	H50-3703-04	ITEM CARTON CASE(RXD-A33)	KP	
-		*	H50-3704-04	ITEM CARTON CASE(RXD-353)	YX	
-		*	H50-3705-04	ITEM CARTON CASE(RXD-353)	TE	
-		*	H50-3706-04	ITEM CARTON CASE(RXD-353)	MM5	
-		*	H50-3707-04	ITEM CARTON CASE(RXD-353E)	E1	
△ 646	1E		J42-0083-05	POWER CORD BUSHING		
647	2C		J52-0039-05	PUSH LATCH		
-			J61-0307-05	WIRE BAND		
653	2C	*	K29-7721-04	KNOB		
654	2C	*	K29-7722-04	KNOB		
△ 660	2E	*	L07-2837-05	POWER TRANSFORMER	KP	
△ 660	2E	*	L07-2838-05	POWER TRANSFORMER	YMM5	
△ 660	2E	*	L07-2839-05	POWER TRANSFORMER	X	
△ 660	2E	*	L07-2840-05	POWER TRANSFORMER	TEE1H	
664	1C		T90-0836-05	LEAD WIRE ANTENNA		
665	1C		T90-0852-05	LOOP ANTENNA		
RXD-303/303E/503/503E/653/653E						
601	1C	*	A01-3739-01	METALLIC CABINET(653/653E)	TEE1X	
601	1C	*	A01-3753-01	METALLIC CABINET(303/303E)	KEE1	
601	1C	*	A01-3753-01	METALLIC CABINET(503)	KPE	
601	1C	*	A01-3753-01	METALLIC CABINET(503E)	E1	
602	1C		A09-1151-08	BATTERY COVER		
604	2C	*	A29-1082-02	PANEL (CD) (653/653E)	TEE1X	
604	2C	*	A29-1096-02	PANEL (CD) (503)	KPE	
604	2C	*	A29-1096-02	PANEL (CD) (303/303E)	KEE1	
604	2C	*	A29-1096-02	PANEL (CD) (503E)	E1	
605	2C	*	A53-2175-11	CASSETTE HOLDER (L)(653/653E)	TEE1X	
605	2C	*	A53-2192-11	CASSETTE HOLDER (L)(303/303E)	KEE1	
605	2C	*	A53-2192-11	CASSETTE HOLDER (L)(503)	KPE	
605	2C	*	A53-2192-11	CASSETTE HOLDER (L)(503E)	E1	
606	2C	*	A53-2176-11	CASSETTE HOLDER (R)(653/653E)	TEE1X	
606	2C	*	A53-2193-11	CASSETTE HOLDER (R)(303/303E)	KEE1	
606	2C	*	A53-2193-11	CASSETTE HOLDER (R)(503)	KPE	
606	2C	*	A53-2193-11	CASSETTE HOLDER (R)(503E)	E1	
607	2C	*	A60-1829-21	PANEL ASSY (503/303)	KP	
607	2C	*	A60-1831-21	PANEL ASSY (503/503E)	EE1	
607	2C	*	A60-1842-21	PANEL ASSY (653/653E)	TEE1X	
608	1C	*	A70-1337-05	REMOTE CONTROLLER ASSY	KPX	
608	1C	*	A70-1338-05	REMOTE CONTROLLER ASSY	TEE1	
613	2C	*	B10-3586-03	FRONT GLASS (L)		
614	2C	*	B10-3587-03	FRONT GLASS (R)		
615	2C	*	B10-3588-02	FRONT GLASS (503)	KP	
615	2C	*	B10-3589-02	FRONT GLASS (503/503E)	EE1	
615	2C	*	B10-3590-02	FRONT GLASS (303/303E)	EE1	
615	2C	*	B10-3599-02	FRONT GLASS (303)	K	
615	2C	*	B10-3604-02	FRONT GLASS (653/653E)	TEE1	
615	2C	*	B10-3619-02	FRONT GLASS (653)	X	
-			B46-0096-53	WARRANTY CARD	X	
-			B46-0310-03	WARRANTY CARD	TEE1	

L : Scandinavia K : USA P : Canada R : Mexico C : China I : Malaysia
Y : PX(Far East,Hawaii) T : England E : Europe G : Germany V : China(Shanghai)
Y : AAFES(Europe) X : Australia Q : Russia H : Korea M : Other Areas △ indicates safety critical components.

* New Parts
 Parts without **Parts No.** are not supplied.
 Les articles non mentionnés dans le **Parts No.** ne sont pas fournis.
 Teile ohne **Parts No.** werden nicht geliefert.

5

Ref. No	Address	New Parts	Parts No.	Description	Destination	Remarks
-			B46-0328-03	WARRANTY CARD	K	
-			B46-0347-03	WARRANTY CARD	P	
-			B58-1643-04	CAUTION CARD (CASSETTE EJEC)		
-		*	B60-4473-00	INSTRUCTION MANUAL (EN)	KPTE1X	
-		*	B60-4474-00	INSTRUCTION MANUAL (FR)	PE	
-		*	B60-4475-00	INSTRUCTION MANUAL (GE)	E	
-		*	B60-4476-00	INSTRUCTION MANUAL (NE)	E	
-		*	B60-4477-00	INSTRUCTION MANUAL (IT)	E	
-		*	B60-4478-00	INSTRUCTION MANUAL (ES)	E	
-		*	B60-4481-00	INSTRUCTION MANUAL (PL)	E1	
-		*	B60-4702-00	INSTRUCTION MANUAL (HU)	E1	
-		*	B60-4703-00	INSTRUCTION MANUAL (GZ)	E1	
-		*	B60-4704-00	INSTRUCTION MANUAL (RU)	E1	
618	2C,2D		D39-0334-15	DAMPER		
619	2D	*	D40-1661-15	CASSETTE MECHANISM ASSY		
△ 625	1E	*	E30-2717-05	AC POWER CORD	X	
△ 625	1E	*	E30-2829-05	AC POWER CORD	T	
△ 625	1E	*	E30-2941-05	AC POWER CORD	KP	
△ 625	1E	*	E30-2942-05	AC POWER CORD	EE1	
626	1D,2D	*	E35-2470-15	FLAT CABLE (25P)		
627	1D,2D	*	E35-2471-05	FLAT CABLE (31P)		
628	2D	*	E35-2542-05	FLAT CABLE (17P)		
629	1E,2D	*	E35-2543-05	FLAT CABLE (15P)		
630	1C,1D	*	E35-2547-05	FLAT CABLE (29P) (303/303E)	EE1	
630	1C,1D	*	E35-2547-05	FLAT CABLE (29P) (503/303)	KP	
630	1C,1D	*	E35-2547-05	FLAT CABLE (29P) (653/653E)	TX	
630	1C,1D	*	E35-2598-05	FLAT CABLE (33P) (503/503E)	EE1	
630	1C,1D	*	E35-2598-05	FLAT CABLE (33P) (653/653E)	EE1	
634	1E	*	F07-1692-01	COVER		
638	2C	*	G01-4170-04	TORSION COIL SPRING		
639	2C	*	G01-4171-04	TORSION COIL SPRING		
-		*	H10-7634-12	POLYSTYRENE FOAMED FIXTURE		
-		*	H10-7635-12	POLYSTYRENE FOAMED FIXTURE		
-		*	H21-0373-03	PROTECTION SHEET		
-		*	H25-1536-04	PROTECTION BAG		
-		*	H25-1642-04	PROTECTION BAG		
-		*	H50-3720-04	ITEM CARTON CASE(503)	KP	
-		*	H50-3721-04	ITEM CARTON CASE(503)	E	
-		*	H50-3722-04	ITEM CARTON CASE(503E)	E1	
-		*	H50-3723-04	ITEM CARTON CASE(303)	K	
-		*	H50-3724-04	ITEM CARTON CASE(303)	E	
-		*	H50-3725-04	ITEM CARTON CASE(303E)	E1	
-		*	H50-3726-04	ITEM CARTON CASE(653)	TE	
-		*	H50-3727-04	ITEM CARTON CASE(653E)	E1	
-		*	H50-3860-04	ITEM CARTON CASE(653)	X	
△ 646	1E		J42-0083-05	POWER CORD BUSHING		
647	2C		J52-0039-05	PUSH LATCH		
-			J61-0307-05	WIRE BAND		
653	2C	*	K29-7721-04	KNOB (653/653E)	TEE1X	
653	2C	*	K29-7778-04	KNOB (503/303)	KP	
653	2C	*	K29-7778-04	KNOB (303/303E)	EE1	
653	2C	*	K29-7778-04	KNOB (503/503E)	EE1	

L : Scandinavia K : USA P : Canada R : Mexico C : China I : Malaysia
 Y : PX(Far East,Hawaii) T : England E : Europe G : Germany V : China(Shanghai)
 Y : AAFES(Europe) X : Australia Q : Russia H : Korea M : Other Areas △ indicates safety critical components .

* New Parts
 Parts without **Parts No.** are not supplied.
 Les articles non mentionnés dans le **Parts No.** ne sont pas fournis.
 Teile ohne **Parts No.** werden nicht geliefert.

6

Ref. No	Address	New Parts	Parts No.	Description	Destination	Remarks
654	2C	*	K29-7722-04	KNOB (653/653E)	TEE1X	
654	2C	*	K29-7779-04	KNOB (503/303)	KP	
654	2C	*	K29-7779-04	KNOB (303/303E)	EE1	
654	2C	*	K29-7779-04	KNOB (503/503E)	EE1	
△ 660	2E	*	L07-2815-05	POWER TRANSFORMER(503)	KP	
△ 660	2E	*	L07-2817-05	POWER TRANSFORMER(653)	X	
△ 660	2E	*	L07-2818-05	POWER TRANSFORMER(503/503E)	EE1	
△ 660	2E	*	L07-2818-05	POWER TRANSFORMER(653/653E)	TEE1	
△ 660	2E	*	L07-2837-05	POWER TRANSFORMER(303)	K	
△ 660	2E	*	L07-2840-05	POWER TRANSFORMER(303/303E)	EE1	
664	1C		T90-0836-05	LEAD WIRE ANTENNA		
665	1C		T90-0852-05	LOOP ANTENNA		
POWER AMPLIFIER UNIT (X07-316X-XX)						
C1 ,2			CE04KW1HR22M	ELECTRO 0.22UF	50WV	
C3 ,4			CK45FB1H471K	CERAMIC 470PF	K	
C5			CC45FCH1H560J	CERAMIC 56PF	J	
C8		*	CE04PW1HR47M	ALUMINUM ELECTROLYTIC C.		
C9 ,10			CC45FSL1H331J	CERAMIC 330PF	J	
C11			CC45FSL2H101J	CERAMIC 100PF	J	
C12			CC45FCH1H101J	CERAMIC 100PF	J	
C13 ,14			CE04KW1V100M	ELECTRO 10UF	35WV	
C15 ,16			CC45FCH1H070D	CERAMIC 7.0PF	D	23457
C15 ,16			CC45FCH1H070D	CERAMIC 7.0PF	D	1
C15 ,16			CC45FSL1H030C	CERAMIC 3.0PF	C	KPK1P1 16
C17			CC45FCH1H101J	CERAMIC 100PF	J	
C18			CE04LW2A100M	ELECTRO 10UF	100WV	
C19 ,20			CC45FSL2H221J	CERAMIC 220PF	J	
C21			CE04LW1C330M	ELECTRO 33UF	16WV	
C25 ,26			CC45FSL2H470J	CERAMIC 47PF	J	
C29 ,30			CE04KW1H101M	ELECTRO 100UF	50WV	
C33 ,34			CK45FF1H223Z	CERAMIC 0.022UF	Z	23457
C33 ,34			CK45FF1H223Z	CERAMIC 0.022UF	Z	1
C33 ,34			CK45FF1H333Z	CERAMIC 0.033UF	Z	EE1 KPK1P1 16
C35 ,36			CK45FF1H103Z	CERAMIC 0.010UF	Z	
C41 ,42			CF92FV1H224J	MF-C 0.22UF	J	TT1EE1
C41 ,42			CF92FV1H224J	MF-C 0.22UF	J	YMXM5H
C41 ,42			C91-1577-05	MP-C 0.22UF	J	TT1EE1
C41 ,42			C91-1577-05	MP-C 0.22UF	J	YMXM5H
C43 ,44			CF92FV1H104J	MF-C 0.10UF	J	KPK1P1
C43 ,44			CF92FV1H224J	MF-C 0.22UF	J	TT1EE1
C43 ,44			CF92FV1H224J	MF-C 0.22UF	J	YMXM5H
C43 ,44			C91-1573-05	MP-C 0.10UF	J	KPK1P1
C43 ,44			C91-1577-05	MP-C 0.22UF	J	TT1EE1
C43 ,44			C91-1577-05	MP-C 0.22UF	J	YMXM5H
C51		*	CE04PW1A101M	ALUMINUM ELECTROLYTIC C.		
C61 ,62			CK45FF1H472Z	CERAMIC 4700PF	Z	23457
C72			CE04KW1J470M	ELECTRO 47UF	63WV	
C72			CE04KW1J470M	ELECTRO 47UF	63WV	EE1
C72			CE04KW2A220M	ELECTRO 22UF	100WV	KPK1P1 16
C81			CE04KW1C100M	ELECTRO 10UF	16WV	
C82			CK45FF1H103Z	CERAMIC 0.010UF	Z	
C83			CE04KW1C100M	ELECTRO 10UF	16WV	
C84			CE04LW1H477M	ELECTRO 4.7UF	50WV	

L : Scandinavia K : USA P : Canada R : Mexico C : China I : Malaysia
 Y : PX(Far East,Hawaii) T : England E : Europe G : Germany V : China(Shanghai)
 Y : AAFES(Europe) X : Australia Q : Russia H : Korea M : Other Areas △ indicates safety critical components .

PARTS LIST

RXD-303/353/503/553/653/A33/A53

* New Parts
Parts without **Parts No.** are not supplied.
Les articles non mentionnés dans le **Parts No.** ne sont pas fournis.
Teile ohne **Parts No.** werden nicht geliefert.



Ref. No	Add-ress	New Parts	Parts No.	Description	Desti-nation	Re-marks
C85 ,86			CC45FCH1H100D	CERAMIC 10PF D	KPK1P1	16
CN1		*	E40-8501-05	FLAT CABLE CONNECTOR		
CN2		*	E40-8614-05	PIN ASSY		
CN3		*	E40-0412-05	PIN ASSY	KPK1P1	16
J2	1D	*	E70-0124-05	LOCK TERMINAL BOARD		
J4	2D	*	E70-0123-05	LOCK TERMINAL BOARD	TT1EE1	
J4		*	E70-0123-05	LOCK TERMINAL BOARD	YMXM5H	
R25 ,26			RD14BB2C471J	RD 470 J 1/6W	KPK1P1	16
R25 ,26			RD14BB2C681J	RD 680 J 1/6W		23457
R25 ,26			RD14BB2C681J	RD 680 J 1/6W	EE1	1
R39 ,40			RD14BB2C122J	RD 1.2K J 1/6W		23457
R39 ,40			RD14BB2C122J	RD 1.2K J 1/6W	EE1	1
R41 -44			RD14NB2E220J	RD 22 J 1/4W		
R45 -48			RS14KB3DR22J	FL-PROOF RS 0.22 J 2W		23457
R45 -48			RS14KB3DR22J	FL-PROOF RS 0.22 J 2W	EE1	1
R45 -48			RS14KB3DR47J	FL-PROOF RS 0.47 J 2W	KPK1P1	16
R49 ,50			RD14BB2C102J	RD 1.0K J 1/6W	KPK1P1	16
R49 ,50			RD14BB2C473J	RD 47K J 1/6W		23457
R49 ,50			RD14BB2C473J	RD 47K J 1/6W	EE1	1
R51 -54			RS14KB3DR47J	FL-PROOF RS 0.47 J 2W	KPK1P1	16
R55 ,56			RD14BB2C102J	RD 1.0K J 1/6W	KPK1P1	16
R55 ,56			RD14BB2C122J	RD 1.2K J 1/6W		347
R55 ,56			RD14BB2C122J	RD 1.2K J 1/6W	EE1	1
R55 ,56			RD14BB2C122J	RD 1.2K J 1/6W	K	2
R55 ,56			RD14BB2C132J	RD 1.3K J 1/6W		5
R55 ,56			RD14BB2C132J	RD 1.3K J 1/6W	EE1	2
R71 ,72			RD14NB2E100J	RD 10 J 1/4W		
R93			RD14BB2C392J	RD 3.9K J 1/6W	KPK1P1	16
R93			RD14BB2C432J	RD 4.3K J 1/6W		347
R93			RD14BB2C432J	RD 4.3K J 1/6W	EE1	1
R93			RD14BB2C432J	RD 4.3K J 1/6W	K	2
R93			RD14BB2C512J	RD 5.1K J 1/6W		5
R93			RD14BB2C512J	RD 5.1K J 1/6W	EE1	2
Δ R104,105			RS14KB3A332J	FL-PROOF RS 3.3K J 1W	KPK1P1	16
Δ R106			RS14KB3D122J	FL-PROOF RS 1.2K J 2W		23457
Δ R106			RS14KB3D122J	FL-PROOF RS 1.2K J 2W	EE1	1
Δ R112			RD14NB2E151J	RD 150 J 1/4W		
Δ R127			RS14KB3D392J	FL-PROOF RS 3.9K J 2W		
R128			RD14NB2E101J	RD 100 J 1/4W		
R131 ,132			RS14KB3D331J	FL-PROOF RS 330 J 2W		
VR1 ,2			R12-0097-05	TRIMMING POT.(330 RIGHT)	KPK1P1	16
K1		*	S76-0098-05	MAGNETIC RELAY		
S1	2D		S62-0077-05	SLIDE SWITCH	TT1EE1	
S1	2D		S62-0077-05	SLIDE SWITCH	YMXM5H	
D1 ,2			HSS104A	DIODE		
D1 ,2			1SS133	DIODE		
D3 ,4			HZS18N(B2)	ZENER DIODE		5
D3 ,4			HZS18N(B2)	ZENER DIODE	EE1	2
D3 ,4			HZS18N(B2)	ZENER DIODE	KPK1P1	16
D3 ,4			HZS20N(B2)	ZENER DIODE		347
D3 ,4			HZS20N(B2)	ZENER DIODE	EE1	1
D3 ,4			HZS20N(B2)	ZENER DIODE	K	2
D3 ,4			MTZJ18(B)	ZENER DIODE	EE1	2

L : Scandinavia K : USA P : Canada R : Mexico C : China I : Malaysia
Y : PX(Far East,Hawaii) T : England E : Europe G : Germany V : China(Shanghai)
Y : AAFES(Europe) X : Australia Q : Russia H : Korea M : Other Areas Δ indicates safety critical components .

* New Parts
Parts without **Parts No.** are not supplied.
Les articles non mentionnés dans le **Parts No.** ne sont pas fournis.
Teile ohne **Parts No.** werden nicht geliefert.



Ref. No	Add-ress	New Parts	Parts No.	Description	Desti-nation	Re-marks
D3 ,4			MTZJ18(B)	ZENER DIODE	KP	5
D3 ,4			MTZJ18(B)	ZENER DIODE	KPK1P1	16
D3 ,4			MTZJ20(B)	ZENER DIODE		347
D3 ,4			MTZJ20(B)	ZENER DIODE	EE1	1
D3 ,4			MTZJ20(B)	ZENER DIODE	K	2
D5 ,6			HSS104A	DIODE	TT1EE1	
D5 ,6			HSS104A	DIODE	YMXM5H	
D5 ,6			1SS133	DIODE	TT1EE1	
D5 ,6			1SS133	DIODE	YMXM5H	
D7 ,8			HZS13N(B2)	ZENER DIODE		5
D7 ,8			HZS13N(B2)	ZENER DIODE	EE1	2
D7 ,8			HZS16N(B2)	ZENER DIODE		347
D7 ,8			HZS16N(B2)	ZENER DIODE	EE1	1
D7 ,8			HZS16N(B2)	ZENER DIODE	K	2
D7 ,8			HZS24N(B2)	ZENER DIODE	KPK1P1	16
D7 ,8			MTZJ13(B)	ZENER DIODE		5
D7 ,8			MTZJ13(B)	ZENER DIODE	EE1	2
D7 ,8			MTZJ16(B)	ZENER DIODE		347
D7 ,8			MTZJ16(B)	ZENER DIODE	EE1	1
D7 ,8			MTZJ16(B)	ZENER DIODE	K	2
D7 ,8			MTZJ16(B)	ZENER DIODE	KPK1P1	16
D7 ,8			MTZJ24(B)	ZENER DIODE		
D9 ,10			HSS104A	DIODE		
D9 ,10			1SS133	DIODE		
D11 ,12			1SS244	DIODE		
D13 -16			HSS104A	DIODE		
D13 -16			1SS133	DIODE		
D21			HZS5.1N(B2)	ZENER DIODE		
D21			MTZJ5.1(B)	ZENER DIODE		
D30			HZS13N(B2)	ZENER DIODE		
D30			MTZJ13(B)	ZENER DIODE		
D31			HSS104A	DIODE		
D31			1SS133	DIODE		
D32			HZS10N(B2)	ZENER DIODE		
D32			MTZJ10(B)	ZENER DIODE		
D33			HSS104A	DIODE		
D33			1SS133	DIODE		
Q1 ,2			2SC2878(B)	TRANSISTOR		
Q3 ,4			2SD2144S(U,V)	TRANSISTOR		
Q5 -8			2SA992(F,E)	TRANSISTOR		
Q9 ,10			2SC1845(F,E)	TRANSISTOR		23457
Q9 ,10			2SC1845(F,E)	TRANSISTOR		
Q9 ,10			2SC2631(R,S)	TRANSISTOR	EE1	1
Q11 ,12			2SC4137F50(V,W)	TRANSISTOR	KPK1P1	16
Q13 ,14			2SD2493A	TRANSISTOR		
Δ Q13 ,14			2SD2493A	TRANSISTOR		23457
Δ Q13 ,14			2SD2493A	TRANSISTOR	EE1	1
Δ Q13 ,14		*	2SD2560	TRANSISTOR	KPK1P1	16
Δ Q15 ,16			2SB1624A	TRANSISTOR		23457
Δ Q15 ,16			2SB1624A	TRANSISTOR		
Δ Q15 ,16		*	2SB1647	TRANSISTOR	EE1	1
Δ Q17 ,18			2SC1845(F,E)	TRANSISTOR	KPK1P1	16
Q19 -21			2SA992(F,E)	TRANSISTOR		
Q22 ,23			2SC1845(F,E)	TRANSISTOR		
Q24			KTC3199(Y,GR)	TRANSISTOR		
Q31			2SC1845(F,E)	TRANSISTOR		
Δ Q42			2SA954(L,K)	TRANSISTOR		

L : Scandinavia K : USA P : Canada R : Mexico C : China I : Malaysia
Y : PX(Far East,Hawaii) T : England E : Europe G : Germany V : China(Shanghai)
Y : AAFES(Europe) X : Australia Q : Russia H : Korea M : Other Areas Δ indicates safety critical components .

* New Parts
 Parts without **Parts No.** are not supplied.
 Les articles non mentionnés dans le **Parts No.** ne sont pas fournis.
 Teile ohne **Parts No.** werden nicht geliefert.

9

Ref. No	Add-ress	New Parts	Parts No.	Description	Desti-nation	Re-marks
Q43			2SC1845(F,E)	TRANSISTOR		
Q44			2SC2003(L,K)	TRANSISTOR		
SUB-CIRCUIT UNIT (X13-771X-XX)						
C1 ,2			CC73GCH1H221J	CHIP C	220PF	J
C3 -6			CE04LW1H010M	ELECTRO	1.0UF	50WV
C7 ,8			CE04KW1H100M	ELECTRO	10UF	50WV
C9 ,10			CC73GCH1H101J	CHIP C	100PF	J
C11 ,12			CE04LW1H100M	ELECTRO	10UF	50WV
C13 ,14			CK73FB1C224K	CHIP C	0.22UF	K
C13 ,14			CK73FB1C224K	CHIP C	0.22UF	K
C15 -18			CK73GB1C104K	CHIP C	0.10UF	K
C19 ,20			CK73GB1H822K	CHIP C	8200PF	K
C21 ,22			CK73GB1H682K	CHIP C	6800PF	K
C21 ,22			CK73GB1H822K	CHIP C	8200PF	K
C23 ,24			CK73GB1H562K	CHIP C	5600PF	K
C25 -28			CE04KW1H2R2M	ELECTRO	2.2UF	50WV
C25 -28			CE04LW1H2R2M	ELECTRO	2.2UF	50WV
C29 ,30			CC73GCH1H101J	CHIP C	100PF	J
C31			CE04KW1C470M	ELECTRO	47UF	16WV
C32			CE04LW1H100M	ELECTRO	10UF	50WV
C33			CK73FB1E823K	CHIP C	0.082UF	K
C34			CE04KW1C470M	ELECTRO	47UF	16WV
C35 ,36			CC73GCH1H101J	CHIP C	100PF	J
C37 -39			CK45FE2H103P	CERAMIC	0.010UF	P
C40			C91-1422-05	MP	0.10UF	250WV
C41			CK73GB1C473K	CHIP C	0.047UF	K
C42			CE04LW1E470M	ELECTRO	47UF	25WV
C43 ,44			CQ93FMG1H562J	MYLAR	5600PF	J
C45 -48			CQ93FMG1H152J	MYLAR	1500PF	J
C49 ,50			CK73GB1H103K	CHIP C	0.010UF	K
C51		*	CE04PW1H2R2M	ALUMINIUM ELECTROLYTIC C.		H
C51		*	CE04PW1H2R2M	ALUMINIUM ELECTROLYTIC C.		TT1EE1
C52		*	CC73GCH1H271J	CHIP C	270PF	J
C52			CC73GCH1H271J	CHIP C	270PF	J
C53			CK73GB1H103K	CHIP C	0.010UF	K
C53			CK73GB1H103K	CHIP C	0.010UF	K
C54 ,55			CC73GCH1H270J	CHIP C	27PF	J
C54 ,55			CC73GCH1H270J	CHIP C	27PF	J
C56			CK73GB1H103K	CHIP C	0.010UF	K
C56			CK73GB1H103K	CHIP C	0.010UF	K
C57			CE04LW1E470M	ELECTRO	47UF	25WV
C57			CE04LW1E470M	ELECTRO	47UF	25WV
C58			CK73FB1H561K	CHIP C	5600PF	K
C58			CK73FB1H561K	CHIP C	5600PF	K
C59			CC73GCH1H470J	CHIP C	47PF	J
C59			CC73GCH1H470J	CHIP C	47PF	J
C60			CK73FF1C105Z	CHIP C	1.0UF	Z
C61 ,62			CC73GCH1H101J	CHIP C	100PF	J
C63			CF92FV1H105J	MF-C	1.0UF	J
C63			CF92FV1H105J	MF-C	1.0UF	J
C64 -68			CC73GCH1H101J	CHIP C	100PF	J
C69 ,70			CC73GCH1H470J	CHIP C	47PF	J
C101			CE04LW1C332M	ELECTRO	3300UF	16WV
C101			CE04LW1C332M	ELECTRO	3300UF	16WV

L : Scandinavia K : USA P : Canada R : Mexico C : China I : Malaysia
 Y : PX(Far East,Hawaii) T : England E : Europe G : Germany V : China(Shanghai)
 Y : AAFES(Europe) X : Australia Q : Russia H : Korea M : Other Areas Δ indicates safety critical components.

* New Parts
 Parts without **Parts No.** are not supplied.
 Les articles non mentionnés dans le **Parts No.** ne sont pas fournis.
 Teile ohne **Parts No.** werden nicht geliefert.

10

Ref. No	Add-ress	New Parts	Parts No.	Description	Desti-nation	Re-marks
C101			CE04LW1E332M	ELECTRO	3300UF	25WV
C102,103			CK73FB1H103K	CHIP C	0.010UF	K
C104		*	CE04PW1H100M	ALUMINIUM ELECTROLYTIC C.		
C105			CQ93FMG1H104J	MYLAR	0.10UF	J
C105			CQ93FMG1H393J	MYLAR	0.039UF	J
C105			CQ93FMG1H563J	MYLAR	0.039UF	J
C106			CK73FB1H103K	CHIP C	0.010UF	K
C107			CC73GCH1H470J	CHIP C	47PF	J
C108		*	CE04PW1A101M	ALUMINIUM ELECTROLYTIC C.		
C109			CE04LW0J102M	ELECTRO	1000UF	6.3WV
C112,113			CE04LW1H010M	ELECTRO	1.0UF	50WV
C114,115			CK73FF1C105Z	CHIP C	1.0UF	Z
C116			CK73GB1H472K	CHIP C	4700PF	K
C150			CK73GB1H103K	CHIP C	0.010UF	K
C151,152		*	C90-3898-05	ALUMINIUM ELECTROLYTIC C.		
C151,152		*	C90-3899-05	ALUMINIUM ELECTROLYTIC C.		
C151,152		*	C90-3899-05	ALUMINIUM ELECTROLYTIC C.		
C151,152		*	C90-3900-05	ALUMINIUM ELECTROLYTIC C.		
C151,152		*	C90-3900-05	ALUMINIUM ELECTROLYTIC C.		
C151,152		*	C90-3901-05	ALUMINIUM ELECTROLYTIC C.		
C151,152		*	C90-3901-05	ALUMINIUM ELECTROLYTIC C.		
C151,152		*	C90-3901-05	ALUMINIUM ELECTROLYTIC C.		
C153			CE04LW1E332M	ELECTRO	3300UF	25WV
C154-160			CE04LW1E470M	ELECTRO	47UF	25WV
C161			CE04LW1J221M	ELECTRO	220UF	63WV
C162,163		*	CE04PW1H470M	ALUMINIUM ELECTROLYTIC C.		
C164			CK73GB1C104K	CHIP C	0.10UF	K
C165			CK45FE2H103P	CERAMIC	0.010UF	P
C166			CK73FB1H102K	CHIP C	1000PF	K
C167,168			CK73GB1C104K	CHIP C	0.10UF	K
C201			CK73GB1C104K	CHIP C	0.10UF	K
C202			CC73GCH1H180J	CHIP C	18PF	J
C203			CC73GCH1H220J	CHIP C	22PF	J
C204			CK73GB1C104K	CHIP C	0.10UF	K
C205			CK73GB1H103K	CHIP C	0.010UF	K
C206			CK73GB1C104K	CHIP C	0.10UF	K
C207			CE04LW1H220M	ELECTRO	22UF	50WV
C208			CK73GB1H103K	CHIP C	0.010UF	K
C209			CK73GB1H102K	CHIP C	1000PF	K
C210-212			CK73GB1H103K	CHIP C	0.010UF	K
C213			CK73GB1C104K	CHIP C	0.10UF	K
C214		*	CE04PW1H100M	ALUMINIUM ELECTROLYTIC C.		
C215,216			CK73GB1H103K	CHIP C	0.010UF	K
C217			CC73GCH1H221J	CHIP C	220PF	J
C217			CC73GCH1H221J	CHIP C	220PF	J
C217			CK73GB1H471K	CHIP C	470PF	J
C218-223			CC73GCH1H221J	CHIP C	220PF	J
C224			CK73GB1H103K	CHIP C	0.010UF	K
C225		*	CE04PW1H4R7M	ALUMINIUM ELECTROLYTIC C.		
C226-228			CC73GCH1H221J	CHIP C	220PF	J
CN1		*	E40-8489-05	FLAT CABLE CONNECTOR		
CN2		*	E40-8490-05	FLAT CABLE CONNECTOR		
CN3		*	E40-8486-05	FLAT CABLE CONNECTOR		

L : Scandinavia K : USA P : Canada R : Mexico C : China I : Malaysia
 Y : PX(Far East,Hawaii) T : England E : Europe G : Germany V : China(Shanghai)
 Y : AAFES(Europe) X : Australia Q : Russia H : Korea M : Other Areas Δ indicates safety critical components.

PARTS LIST

RXD-303/353/503/553/653/A33/A53

* New Parts
 Parts without **Parts No.** are not supplied.
 Les articles non mentionnés dans le **Parts No.** ne sont pas fournis.
 Teile ohne **Parts No.** werden nicht geliefert.

11

Ref. No	Add-ress	New Parts	Parts No.	Description	Desti-nation	Re-marks
CN4 CN5 CN21 CN21 CN21		*	E40-8481-05 E40-4245-05 * E40-8488-05 * E40-8488-05 * E40-8488-05	FLAT CABLE CONNECTOR PIN ASSY FLAT CABLE CONNECTOR FLAT CABLE CONNECTOR FLAT CABLE CONNECTOR	KPK1P1 TT1EE1 YMXM5H	25
J1 J2 P1	1D 1D 1D		E70-0052-05 E63-0095-05 E23-1785-04	LOCK TERMINAL BOARD PIN JACK TERMINAL		
△ F1 △ F1 △ F1 △ F1			F05-2525-05 F05-2525-05 F05-2525-05 F05-3121-05	FUSE (SEMKO) (250V T2.5AL) FUSE (SEMKO) (250V T2.5AL) FUSE (SEMKO) (250V T2.5AL) FUSE (SEMKO) (250V T3.15AL)	EE1 XTEE1H YMM5 TT1EE1	2 5 7 137
△ F1 △ F1 △ F1 △ F2 △ F2			F05-3121-05 F06-2021-05 F50-0076-05 F05-2525-05 F06-2021-05	FUSE (SEMKO) (250V T3.15AL) FUSE (SEMKO) (250V T2AL) FUSE(5X20) FUSE (SEMKO) (250V T2.5AL) FUSE (SEMKO) (250V T2AL)	X YMXM5 KPK1P1 YMM5 YMXM5	37 5 5 7 5
△ F3 △ F3 △ F3 △ F3			F06-2021-05 F06-2021-05 F06-2021-05 F50-0070-05	FUSE (SEMKO) (250V T2AL) FUSE (SEMKO) (250V T2AL) FUSE (SEMKO) (250V T2AL) FUSE(5X20)	TT1EE1 YMXM5 KPK1P1	5
CN11,12 CN13,14 CN15,16			J13-0075-05 J13-0075-05 J13-0075-05	FUSE CLIP FUSE CLIP FUSE CLIP	YMM5	
△ T1 △ T1 △ T1 △ T1 △ X1		*	L07-2758-05 L07-2758-05 L07-2761-05 L07-2805-05 L78-0294-05	POWER TRANSFORMER POWER TRANSFORMER POWER TRANSFORMER POWER TRANSFORMER RESONATOR (10.000M)	TT1EE1 XH KPK1P1 YMM5	
X2 X3 X3			L77-2173-05 L77-2002-05 L77-2002-05	CRYSTAL RESONATOR(32.768KHZ) CRYSTAL RESONATOR(4.332MHZ) CRYSTAL RESONATOR(4.332MHZ)	H TT1EE1	
R1 ,2 R3 ,4 R5 ,6 R7 -10 R11			RK73GB1J222J RK73GB1J153J RK73GB1J474J RK73GB1J752J RK73GB1J272J	CHIP R 2.2K J 1/16W CHIP R 15K J 1/16W CHIP R 470K J 1/16W CHIP R 7.5K J 1/16W CHIP R 2.7K J 1/16W		
△ R12 ,13 △ R14 △ R15 -20 △ R21 △ R21			RK73GB1J221J RD14NB2E100J RK73GB1J222J RS14KB3D472J RS14KB3D562J	CHIP R 220 J 1/16W RD 10 J 1/4W CHIP R 2.2K J 1/16W FL-PROOF RS 4.7K J 2W FL-PROOF RS 5.6K J 2W		245 1367
R22 R23 ,24 R23 ,24 R23 ,24 R23 ,24 R23 ,24			RK73GB1J100J RK73GB1J103J RK73GB1J103J RK73GB1J103J RK73GB1J682J	CHIP R 10 J 1/16W CHIP R 10K J 1/16W CHIP R 10K J 1/16W CHIP R 10K J 1/16W CHIP R 6.8K J 1/16W	K YMXM5 KP	5 2 4 16
R23 ,24 R23 ,24 R25 ,26 R51 R51			RK73GB1J682J RK73GB1J682J RK73GB1J153J RK73GB1J101J RK73GB1J101J	CHIP R 6.8K J 1/16W CHIP R 6.8K J 1/16W CHIP R 15K J 1/16W CHIP R 100 J 1/16W CHIP R 100 J 1/16W	X YMM5 H TT1EE1	37 7

L : Scandinavia K : USA P : Canada R : Mexico C : China I : Malaysia
 Y : PX(Far East,Hawaii) T : England E : Europe G : Germany V : China(Shanghai)
 Y : AAFES(Europe) X : Australia Q : Russia H : Korea M : Other Areas △ indicates safety critical components.

PARTS LIST

12

* New Parts
 Parts without **Parts No.** are not supplied.
 Les articles non mentionnés dans le **Parts No.** ne sont pas fournis.
 Teile ohne **Parts No.** werden nicht geliefert.

Ref. No	Add-ress	New Parts	Parts No.	Description	Desti-nation	Re-marks
R52 R52 R53 R53 R54			RK73GB1J473J RK73GB1J473J RK73GB1J101J RK73GB1J101J RK73GB1J222J	CHIP R 47K J 1/16W CHIP R 47K J 1/16W CHIP R 100 J 1/16W CHIP R 100 J 1/16W CHIP R 2.2K J 1/16W	H TT1EE1 H TT1EE1	
R55 R56 R57 ,58 R59 R59			RK73GB1J103J RK73GB1J101J RK73GB1J472J RD14NB2E4R7J RD14NB2E4R7J	CHIP R 10K J 1/16W CHIP R 100 J 1/16W CHIP R 4.7K J 1/16W RD 4.7 J 1/4W RD 4.7 J 1/4W	H TT1EE1	
△ R61 △ R61 R102 R102 R102			RS14KB3D472J RS14KB3D562J RK73FB2A563J RK73FB2A623J RK73FB2A623J	FL-PROOF RS 4.7K J 2W FL-PROOF RS 5.6K J 2W CHIP R 56K J 1/10W CHIP R 62K J 1/10W CHIP R 62K J 1/10W		245 1367
R103 R103 R105 R106 R107			RS14KB3D271J RS14KB3D271J RK73FB2A223J RK73GB1J102J RK73GB1J103J	FL-PROOF RS 270 J 2W FL-PROOF RS 270 J 2W CHIP R 22K J 1/10W CHIP R 1.0K J 1/16W CHIP R 10K J 1/16W	KPK1P1 YMM5	
R108 R111 R112 R113 R114			RK73GB1J102J RK73GB1J103J RK73GB1J101J RK73GB1J104J RK73GB1J102J	CHIP R 1.0K J 1/16W CHIP R 10K J 1/16W CHIP R 100 J 1/16W CHIP R 100K J 1/16W CHIP R 1.0K J 1/16W		
△ R115 △ R116 R117 R117 △ R150			R92-1844-05 RK73GB1J103J RS14KB3D331J RS14KB3D331J RS14KB3D121J	CARBON 3.3M J 1/2W CHIP R 10K J 1/16W FL-PROOF RS 330 J 2W FL-PROOF RS 330 J 2W FL-PROOF RS 120 J 2W	KPK1P1 KPK1P1 YMM5	
△ R161 R162 R163 R165,166 R167,168			RD14NB2E4R7J RD14NB2E392J RK73FB2A473J RK73FB2A473J RK73FB2A123J	RD 4.7 J 1/4W RD 3.9K J 1/4W CHIP R 47K J 1/10W CHIP R 47K J 1/10W CHIP R 12K J 1/10W		
R172 R173 R200 R201 R202			RK73FB2A912J RK73FB2A622J RK73GB1J562J RK73GB1J221J RK73GB1J103J	CHIP R 9.1K J 1/10W CHIP R 6.2K J 1/10W CHIP R 5.6K J 1/16W CHIP R 220 J 1/16W CHIP R 10K J 1/16W		
R203-207 R208 R209 R210 R210 R211-213			RK73GB1J221J RK73FB2A475J RK73GB1J104J RS14KB3D121J RK73GB1J221J	CHIP R 220 J 1/16W CHIP R 4.7M J 1/10W CHIP R 100K J 1/16W FL-PROOF RS 120 J 2W CHIP R 220 J 1/16W		
R214 R215-223 R228-231 R233-236 R240-243			RK73GB1J103J RK73GB1J221J RK73GB1J221J RK73GB1J221J RK73GB1J472J	CHIP R 10K J 1/16W CHIP R 220 J 1/16W CHIP R 220 J 1/16W CHIP R 220 J 1/16W CHIP R 4.7K J 1/16W		
R244 R245 R246-249 R250 R250			RK73GB1J221J RK73GB1J473J RK73GB1J221J RK73GB1J133J RK73GB1J393J	CHIP R 220 J 1/16W CHIP R 47K J 1/16W CHIP R 220 J 1/16W CHIP R 13K J 1/16W CHIP R 39K J 1/16W	TT1H YMM5	

L : Scandinavia K : USA P : Canada R : Mexico C : China I : Malaysia
 Y : PX(Far East,Hawaii) T : England E : Europe G : Germany V : China(Shanghai)
 Y : AAFES(Europe) X : Australia Q : Russia H : Korea M : Other Areas △ indicates safety critical components.

* New Parts
 Parts without **Parts No.** are not supplied.
 Les articles non mentionnés dans le **Parts No.** ne sont pas fournis.
 Teile ohne **Parts No.** werden nicht geliefert.

13

Ref. No	Add-ress	New Parts	Parts No.	Description	Desti-nation	Re-marks
R250			RK73GB1J472J	CHIP R	4.7K	J 1/16W
R250			RK73GB1J822J	CHIP R	8.2K	J 1/16W
R250			RK73GB1J913J	CHIP R	91K	J 1/16W
R251			RK73GB1J103J	CHIP R	10K	J 1/16W
R252,253			RK73GB1J473J	CHIP R	47K	J 1/16W
R254			RK73GB1J102J	CHIP R	1.0K	J 1/16W
R255			RK73GB1J562J	CHIP R	5.6K	J 1/16W
R256			RK73GB1J473J	CHIP R	47K	J 1/16W
R257			RK73GB1J102J	CHIP R	1.0K	J 1/16W
R259			RK73GB1J103J	CHIP R	10K	J 1/16W
R260			RK73GB1J821J	CHIP R	820	J 1/16W
R261			RK73GB1J103J	CHIP R	10K	J 1/16W
R263			RK73GB1J152J	CHIP R	1.5K	J 1/16W
R265			RK73GB1J152J	CHIP R	1.5K	J 1/16W
R269			RK73GB1J222J	CHIP R	2.2K	J 1/16W
R270			RK73GB1J473J	CHIP R	47K	J 1/16W
R271,272			RK73GB1J102J	CHIP R	1.0K	J 1/16W
R273			RK73GB1J105J	CHIP R	1.0M	J 1/16W
R274			RK73GB1J102J	CHIP R	1.0K	J 1/16W
R275			RK73GB1J1R0J	CHIP R	1	J 1/16W
R276-280			RK73GB1J473J	CHIP R	47K	J 1/16W
R281,282			RK73GB1J474J	CHIP R	470K	J 1/16W
R302			RK73GB1J473J	CHIP R	47K	J 1/16W
W301,302			R92-0670-05	CHIP R	0 OHM	
W301,302			R92-0670-05	CHIP R	0 OHM	
Δ K1			S76-0099-05	MAGNETIC RELAY		
Δ S1	1D		S62-0001-05	SLIDE SWITCH		YMM5
Δ D1 -8			HSS104A	DIODE		
Δ D1 -8			1SS133	DIODE		
Δ D9			MA111	DIODE		
D10			HSS104A	DIODE		KPK1P1
D10			HSS104A	DIODE		YMM5
D10			1SS133	DIODE		KPK1P1
D10			1SS133	DIODE		YMM5
D11			HSS104A	DIODE		
D11			1SS133	DIODE		
D12,13			RB721Q	DIODE		
D17			HSS104A	DIODE		
D17			1SS133	DIODE		
D18			RB721Q	DIODE		TT1EE1
D18			RB721Q	DIODE		YMXM5H
D20			MTZJ15(B)	ZENER DIODE		
D20			RD15ES(B2)	ZENER DIODE		
D21			MTZJ5.1(B)	ZENER DIODE		
D21			RD5.1ES(B2)	ZENER DIODE		
D22			S5688B	DIODE		
Δ D51			D4SBL20UF03	DIODE		1367
Δ D51		*	TSS4B03G-B1	DIODE		245
Δ D52			D2SBA20F03	DIODE		
D53			MTZJ6.2(B)	ZENER DIODE		
D53			RD6.2ES(B2)	ZENER DIODE		
D54			MTZJ6.8(B)	ZENER DIODE		
D54			RD6.8ES(B2)	ZENER DIODE		
D55			MTZJ5.6(B)	ZENER DIODE		

L : Scandinavia K : USA P : Canada R : Mexico C : China I : Malaysia
 Y : PX(Far East,Hawaii) T : England E : Europe G : Germany V : China(Shanghai)
 Y : AAFES(Europe) X : Australia Q : Russia H : Korea M : Other Areas Δ indicates safety critical components .

* New Parts
 Parts without **Parts No.** are not supplied.
 Les articles non mentionnés dans le **Parts No.** ne sont pas fournis.
 Teile ohne **Parts No.** werden nicht geliefert.

14

Ref. No	Add-ress	New Parts	Parts No.	Description	Desti-nation	Re-marks
D55			RD5.6ES(B2)	ZENER DIODE		
D56			MTZJ10(B)	ZENER DIODE		
Δ D56			RD10ES(B2)	ZENER DIODE		
D57			S5688B	DIODE		
Δ D58,59			MTZJ20(B)	ZENER DIODE		
D58,59			RD20ES(B)	ZENER DIODE		
D101,102			RB721Q	DIODE		
D103			MA111	DIODE		
Δ IC1			XC62FP5102P	ANALOGUE IC		KPK1P1
IC2			S-80840ANY	ANALOGUE IC		
IC4			NJM4565M	ANALOGUE IC		
IC5			BA05T	ANALOGUE IC		TT1EE1
Δ IC5			BA05T	ANALOGUE IC		YMXM5H
IC11		*	M62498AFP	ANALOGUE IC		H
IC12			BU1923F	ANALOGUE IC		TT1EE1
IC101		*	M30622MA-A62FP	MI-COM IC		
Q1,2			DTC143TUA	DIGITAL TRANSISTOR		
Q1,2			UN5216	DIGITAL TRANSISTOR		
Q3			2SB1412F5(Q,R)	TRANSISTOR		
Q4			DTC124EUA	DIGITAL TRANSISTOR		
Q4			UN5212	DIGITAL TRANSISTOR		
Q5			KTA1268	TRANSISTOR		
Q5			2SA992(F,E)	TRANSISTOR		
Q6			2SC2003(L,K)	TRANSISTOR		
Q8			KTC3199(Y,GR)	TRANSISTOR		
Q8			2SC2785(F,E)	TRANSISTOR		
Q9			2SC4081	TRANSISTOR		
Δ Q11			2SB1659*2	TRANSISTOR		
Q12			KTC3199(Y,GR)	TRANSISTOR		
Q12			2SC2785(F,E)	TRANSISTOR		
Q13,14			2SD2012	TRANSISTOR		
Q13,14			2SD2061	TRANSISTOR		
Δ Q15			2SC3940A(R,S)	TRANSISTOR		
Q101			DTA113ZUA	DIGITAL TRANSISTOR		
Q101			UN5119	DIGITAL TRANSISTOR		
Q102,103			KTA1267(Y,GR)	TRANSISTOR		
Q102,103			2SA1175(F,E)	TRANSISTOR		
Q104			DTA113ZUA	DIGITAL TRANSISTOR		
Q104			UN5119	DIGITAL TRANSISTOR		
A1		*	W02-2743-05	TUNER ASSY		KPK1P1
A1		*	W02-2744-05	TUNER ASSY		YMM5
A1		*	W02-2745-05	TUNER ASSY		TT1H
A1		*	W02-2746-05	TUNER ASSY		X
A1		*	W02-2747-05	TUNER ASSY		EE1
A2			W02-1114-15	OSCILLATING MODULE		TT1EE1 137
DISPLAY UNIT (X14-7110-XX)						
D2,3	1C		B30-2567-05	LED(RED(80) HI-BR)		
C1,2			CK45FB1H102K	CERAMIC 1000PF		K
C3		*	CE04PW1A101M	ALUMINUM ELECTROLYTIC C.		
C4		*	CE04PW1A470M	ALUMINUM ELECTROLYTIC C.		
C5,6			CK45FB1H102K	CERAMIC 1000PF		K
C7			CC45FCH1H330J	CERAMIC 33PF		J

L : Scandinavia K : USA P : Canada R : Mexico C : China I : Malaysia
 Y : PX(Far East,Hawaii) T : England E : Europe G : Germany V : China(Shanghai)
 Y : AAFES(Europe) X : Australia Q : Russia H : Korea M : Other Areas Δ indicates safety critical components .

PARTS LIST

RXD-303/353/503/553/653/A33/A53

* New Parts

Parts without **Parts No.** are not supplied.
 Les articles non mentionnés dans le **Parts No.** ne sont pas fournis.
 Teile ohne **Parts No.** werden nicht geliefert.

15

Ref. No	Add-ress	New Parts	Parts No.	Description	Desti-nation	Re-marks
C8			CK45FB1H102K	CERAMIC 1000PF	K	
C10			CK45FB1H102K	CERAMIC 1000PF	K	
C11 ,12		*	CE04PW1H010M	ALUMINUM ELECTROLYTIC C.		
C13 ,14			CK45FF1H103Z	CERAMIC 0.010UF	Z	
C15			CK45FB1H222K	CERAMIC 2200PF	K	
C16			CC45FSL1H331J	CERAMIC 330PF	J	
CN1		*	E40-8486-05	FLAT CABLE CONNECTOR		
J1	2D		E11-0280-05	PHONE JACK (1P BLK)		
		*	J21-6784-04	MOUNTING HARDWARE		
Δ R52			RD14NB2E1R0J	RD 1 J 1/4W		
S1 -23	1C,1D		S70-0031-05	TACT SWITCH		
S24	1D	*	T99-0634-05	ROTARY ENCODER		
S25	1C	*	T99-0635-05	ROTARY ENCODER		
D1			HZS6.2N(B2)	ZENER DIODE		
D1			MTZJ6.2(B)	ZENER DIODE		
ED1	1D	*	HNA-15MM18T	FLUORESCENT INDICATOR TUBE		
IC1		*	LC75711NED	MOS-IC		
Q1 -5			KTC3199(Y,GR)	TRANSISTOR		
Q1 -5			2SC2785(F,E)	TRANSISTOR		
A1	1C	*	W02-2734-05	OPTIC RECEIVING MODULE		
RECORD/PLAYBACK UNIT (X28-304X-XX)						
C1 ,2			CK45FB1H102K	CERAMIC 1000PF	K	
C3 ,4			CK45FB1H821K	CERAMIC 820PF	K	
C5 -8			CE04LW1C100M	ELECTRO 10UF	16WV	
C9 ,10			CE04LW1C220M	ELECTRO 22UF	16WV	
C11 ,12			CQ93FMG1H183J	MYLAR 0.018UF	J	
C13 -16			CC45FSL1H470J	CERAMIC 47PF	J	H
C13 -16			CC45FSL1H470J	CERAMIC 47PF	J	TT1EE1
C17 ,18			CE04LW1C100M	ELECTRO 10UF	16WV	
C19 ,20			CE04LW1HR47M	ELECTRO 0.47UF	50WV	
C21 ,22			CE04LW1V4R7M	ELECTRO 4.7UF	35WV	
C23 ,24			CE04LW1C100M	ELECTRO 10UF	16WV	
C25 -28			CC45FSL1H221J	CERAMIC 220PF	J	
C29 ,30			CE04LW1V4R7M	ELECTRO 4.7UF	35WV	
C31 ,32			CC45FSL1H101J	CERAMIC 100PF	J	
C33 ,34			CK45FF1H472Z	CERAMIC 4700PF	Z	
C35 -38			CE04LW1V4R7M	ELECTRO 4.7UF	35WV	
C100		*	CE04PW1H010M	ALUMINUM ELECTROLYTIC C.		
C101		*	CE04PW1C100M	ALUMINUM ELECTROLYTIC C.		
C103,104			CQ93FMG1H153J	MYLAR 0.015UF	J	
C105			CQ93FMG1H103J	MYLAR 0.010UF	J	
C106		*	CE04PW1C100M	ALUMINUM ELECTROLYTIC C.		
C107			CQ93HP2A103J	MYLAR 0.010UF	J	
C108,109			CK45FB1H222K	CERAMIC 2200PF	K	TT1H
C110		*	CE04PW1C100M	ALUMINUM ELECTROLYTIC C.		
C111		*	CE04PW1H010M	ALUMINUM ELECTROLYTIC C.		
C112		*	CE04PW1C101M	ALUMINUM ELECTROLYTIC C.		
C113		*	CE04PW1C470M	ALUMINUM ELECTROLYTIC C.		
C114,115		*	CE04PW1V4R7M	ALUMINUM ELECTROLYTIC C.		
C116		*	CE04PW1C100M	ALUMINUM ELECTROLYTIC C.		

L : Scandinavia K : USA P : Canada R : Mexico C : China I : Malaysia
 Y : PX(Far East,Hawaii) T : England E : Europe G : Germany V : China(Shanghai)
 Y : AAFES(Europe) X : Australia Q : Russia H : Korea M : Other Areas Δ indicates safety critical components.

* New Parts

Parts without **Parts No.** are not supplied.
 Les articles non mentionnés dans le **Parts No.** ne sont pas fournis.
 Teile ohne **Parts No.** werden nicht geliefert.

16

Ref. No	Add-ress	New Parts	Parts No.	Description	Desti-nation	Re-marks
C117		*	CE04PW1C101M	ALUMINUM ELECTROLYTIC C.		
C118		*	CE04PW1C470M	ALUMINUM ELECTROLYTIC C.		
C119		*	CE04PW1V4R7M	ALUMINUM ELECTROLYTIC C.		
C120		*	CE04PW1A101M	ALUMINUM ELECTROLYTIC C.		
C121		*	CE04PW1H010M	ALUMINUM ELECTROLYTIC C.		
C122		*	CE04PW1V330M	ALUMINUM ELECTROLYTIC C.		
CN1		*	E40-8509-05	FLAT CABLE CONNECTOR		
CN2		*	E40-8502-05	FLAT CABLE CONNECTOR		
E1 -3			J11-0808-05	WIRE CLAMPER		
L1 ,2			L40-1035-20	SMALL FIXED INDUCTOR(10MH,J)		
L3		*	L32-1022-05	BIAS OSCILLATING COIL		
L4			L40-1001-82	SMALL FIXED INDUCTOR(10UH)		
Δ R118			RD14NB2E100J	RD 10 J 1/4W		
Δ R125			RD14NB2E101J	RD 100 J 1/4W		
Δ R127			RD14NB2E121J	RD 120 J 1/4W		
VR1 ,2		*	R12-6013-05	TRIMMING POT.(330K)		
VR3 ,4			R12-3103-05	TRIMMING POT.(47K)		
VR5			R12-1073-05	TRIMMING POT.(4.7K)		
D1 -4			HSS104A	DIODE		
D1 -4			1SS133	DIODE		
D5			HZS5.1N(B2)	ZENER DIODE		
D5			MTZJ5.1(B)	ZENER DIODE		
IC1			CXA1498S	ANALOGUE IC		
IC2			BA3126N	ANALOGUE IC		
IC3			NJM4565L	ANALOGUE IC		
Δ Q1 -3			2SA1286-T11	TRANSISTOR		
Q4 -9			KRC103M	DIGITAL TRANSISTOR		
Q4 -9			UN4212	DIGITAL TRANSISTOR		
Δ Q10			KTC3205	TRANSISTOR		
Δ Q10			2SC3940A(R,S)	TRANSISTOR		
Q11 ,12			KTC3199(Y,GR)	TRANSISTOR		
Q11 ,12			2SC2785(F,E)	TRANSISTOR		TT1H
Q13 ,14			KTC3200	TRANSISTOR		
Q13 ,14			2SC1845(F,E)	TRANSISTOR		TT1H
Q15			KRA103M	DIGITAL TRANSISTOR		TT1H
Q15			UN4112	DIGITAL TRANSISTOR		TT1H
Q16			KRC103M	DIGITAL TRANSISTOR		TT1H
Q16			UN4212	DIGITAL TRANSISTOR		TT1H
Q17 ,18			2SC2878(B)	TRANSISTOR		
Q19 ,20			KRC103M	DIGITAL TRANSISTOR		
Q19 ,20			UN4212	DIGITAL TRANSISTOR		
Q21 ,22			DTC143TSA	DIGITAL TRANSISTOR		
Q21 ,22			UN4216	DIGITAL TRANSISTOR		
Q23			KRA103M	DIGITAL TRANSISTOR		
Q23			UN4112	DIGITAL TRANSISTOR		
Q24			KRC103M	DIGITAL TRANSISTOR		
Q24			UN4212	DIGITAL TRANSISTOR		
CD MECHANISM UNIT(X32-380X-XX)						
C1 ,2			CK73GB1C104K	CHIP C 0.10UF	K	
C6			CC73GCH1H221J	CHIP C 220PF	J	
C7			CK73GB1C104K	CHIP C 0.10UF	K	
C8			CC73GCH1H331J	CHIP C 330PF	J	

L : Scandinavia K : USA P : Canada R : Mexico C : China I : Malaysia
 Y : PX(Far East,Hawaii) T : England E : Europe G : Germany V : China(Shanghai)
 Y : AAFES(Europe) X : Australia Q : Russia H : Korea M : Other Areas Δ indicates safety critical components.

* New Parts
 Parts without **Parts No.** are not supplied.
 Les articles non mentionnés dans le **Parts No.** ne sont pas fournis.
 Teile ohne **Parts No.** werden nicht geliefert.

17

Ref. No	Add-ress	New Parts	Parts No.	Description	Desti-nation	Re-marks
C9			CK73GB1H223K	CHIP C 0.022UF	K	
C11			CK73GB1C104K	CHIP C 0.10UF	K	
C12			CK73GB1H223K	CHIP C 0.022UF	K	
C13			CK73GB1E333K	CHIP C 0.033UF	K	
C15			CC73GCH1H561J	CHIP C 560PF	J	
C16			CE04LW1A101M	ELECTRO 100UF	10WV	
C17			CK73GB1H153K	CHIP C 0.015UF	K	
C18			CK73GB1C104K	CHIP C 0.10UF	K	
C19			CE04LW1A101M	ELECTRO 100UF	10WV	
C20			CC73GCH1H331J	CHIP C 330PF	J	
C22			CK73GB1H223K	CHIP C 0.022UF	K	
C23 ,24			CE04KW1H2R2M	ELECTRO 2.2UF	50WV	
C25			CE04LW1A101M	ELECTRO 100UF	10WV	
C26			CE04LW1H4R7M	ELECTRO 4.7UF	50WV	
C27			CK73GB1H222K	CHIP C 2200PF	K	
C28			CQ93FMG1H223J	MYLAR 0.022UF	J	
C29			CK73GB1H562K	CHIP C 5600PF	K	
C30			CK73GB1H222K	CHIP C 2200PF	K	
C31			CE04LW1H2R2M	ELECTRO 2.2UF	50WV	
C32			CQ93FMG1H104J	MYLAR 0.10UF	J	
C33			CK73GB1H102K	CHIP C 1000PF	K	
C34			CK73GB1C104K	CHIP C 0.10UF	K	
C35			CQ93FMG1H223J	MYLAR 0.022UF	J	
C36			CK73GB1H223K	CHIP C 0.022UF	K	
C37			CF92FV1H564J	MF-C 0.56UF	J	
C38			CE04LW1A101M	ELECTRO 100UF	10WV	
C39			CQ93FMG1H122J	MYLAR 1200PF	J	
C40			CE04KW1A221M	ELECTRO 220UF	10WV	
C42			CK73GB1H102K	CHIP C 1000PF	K	
C43 ,44			CC73GCH1H560J	CHIP C 56PF	J	TT1EE1 1237
C45			CE04LW1E470M	ELECTRO 47UF	25WV	
C46			CE04LW1HR33M	ELECTRO 0.33UF	50WV	
C49 ,50			CC73GCH1H221J	CHIP C 220PF	J	
C51 ,52			CK73GB1C104K	CHIP C 0.10UF	K	
C53			CE04LW1E221M	ELECTRO 220UF	25WV	
C54			CE04LW1A101M	ELECTRO 100UF	10WV	
C55			CK73GB1H102K	CHIP C 1000PF	K	
CN1		*	E40-8621-05	FLAT CABLE CONNECTOR		
CN2		*	E40-3264-05	PIN ASSY		
CN3		*	E40-8508-05	FLAT CABLE CONNECTOR	KK1PP1	
CN3		*	E40-8508-05	FLAT CABLE CONNECTOR	TEE1	5
CN3		*	E40-8508-05	FLAT CABLE CONNECTOR	YMXM5	
CN4 ,5		*	E40-8531-05	FLAT CABLE CONNECTOR		
CN6		*	E40-3262-05	PIN ASSY	TT1EE1	1237
CN7		*	E40-8510-05	FLAT CABLE CONNECTOR		
L1			L40-1001-31	SMALL FIXED INDUCTOR(10UH,K)		
X1			L77-2190-05	CRYSTAL RESONATOR(16.9344MHZ)	TT1EE1	1237
X1			L78-0299-05	RESONATOR (16.93M)	KK1PP1	
X1			L78-0299-05	RESONATOR (16.93M)	TEE1	5
X1			L78-0299-05	RESONATOR (16.93M)	YMXM5	
R2 -5			RK73GB1J683J	CHIP R 68K	J 1/16W	
R6			RK73GB1J910J	CHIP R 91	J 1/16W	
R7 -9			RK73GB1J683J	CHIP R 68K	J 1/16W	

L : Scandinavia K : USA P : Canada R : Mexico C : China I : Malaysia
 Y : PX(Far East,Hawaii) T : England E : Europe G : Germany V : China(Shanghai)
 Y : AAFES(Europe) X : Australia Q : Russia H : Korea M : Other Areas Δ indicates safety critical components .

* New Parts
 Parts without **Parts No.** are not supplied.
 Les articles non mentionnés dans le **Parts No.** ne sont pas fournis.
 Teile ohne **Parts No.** werden nicht geliefert.

18

Ref. No	Add-ress	New Parts	Parts No.	Description	Desti-nation	Re-marks
R10			RK73GB1J104J	CHIP R 100K	J 1/16W	
R11 ,12			RK73GB1J334J	CHIP R 330K	J 1/16W	
R13			RK73GB1J563J	CHIP R 56K	J 1/16W	
R16			RK73GB1J333J	CHIP R 33K	J 1/16W	
R17			RK73GB1J473J	CHIP R 47K	J 1/16W	
R18			RK73GB1J331J	CHIP R 330	J 1/16W	
R19			RK73GB1J102J	CHIP R 1.0K	J 1/16W	
R20			RK73GB1J222J	CHIP R 2.2K	J 1/16W	
R21			RK73GB1J163J	CHIP R 16K	J 1/16W	
R22			RK73GB1J222J	CHIP R 2.2K	J 1/16W	
R23			RK73GB1J273J	CHIP R 27K	J 1/16W	
R24			RK73GB1J752J	CHIP R 7.5K	J 1/16W	
R25			RK73GB1J333J	CHIP R 33K	J 1/16W	
R26			RK73GB1J103J	CHIP R 10K	J 1/16W	
R27			RK73GB1J104J	CHIP R 100K	J 1/16W	
R29			RK73GB1J100J	CHIP R 10	J 1/16W	
R30			RK73GB1J473J	CHIP R 47K	J 1/16W	
R31 ,32			RK73GB1J101J	CHIP R 100	J 1/16W	
R33			RK73GB1J102J	CHIP R 1.0K	J 1/16W	
R34			RK73GB1J473J	CHIP R 47K	J 1/16W	
R35			RK73GB1J123J	CHIP R 12K	J 1/16W	
R37			RK73GB1J102J	CHIP R 1.0K	J 1/16W	
R38			RK73GB1J333J	CHIP R 33K	J 1/16W	
R39			RK73GB1J105J	CHIP R 1.0M	J 1/16W	
R40			RK73GB1J221J	CHIP R 220	J 1/16W	
R41			RK73GB1J102J	CHIP R 1.0K	J 1/16W	
R43			RK73GB1J333J	CHIP R 33K	J 1/16W	
R44			RK73GB1J102J	CHIP R 1.0K	J 1/16W	
R46			RK73GB1J102J	CHIP R 1.0K	J 1/16W	
R48			RK73GB1J102J	CHIP R 1.0K	J 1/16W	
R49			RK73GB1J220J	CHIP R 22	J 1/16W	
R50			RK73GB1J101J	CHIP R 100	J 1/16W	
R51			RK73GB1J121J	CHIP R 120	J 1/16W	
R52			RK73GB1J105J	CHIP R 1.0M	J 1/16W	
R54			RK73GB1J184J	CHIP R 180K	J 1/16W	
R59			RK73GB1J272J	CHIP R 2.7K	J 1/16W	
R100-102			RK73GB1J101J	CHIP R 100	J 1/16W	
R103,104			RK73GB1J333J	CHIP R 33K	J 1/16W	
R105,106			RK73GB1J102J	CHIP R 1.0K	J 1/16W	
W101,102			R92-0670-05	CHIP R 0 OHM		
S1 ,2			S64-0028-05	LEVER SWITCH		
D1 ,2		*	SIR-34ST3F(KL)	INFRARED LED		
D3		*	HSS104A	DIODE		
D3		*	1SS133	DIODE		
IC1		*	AN8806SB	ANALOGUE IC		
IC2		*	MN35520	MOS-IC		
IC2			MN662748RPMFA	MOS-IC		
IC3			BA5936S	ANALOGUE IC		
PH1 ,2		*	RPT-37PB3F(MN)	PHOTO TRANSISTOR		
Q1			2SA954(L,K)	TRANSISTOR		
Q2		*	KTA1046	TRANSISTOR		
Q2			2SB1370	TRANSISTOR		
Q2			2SB1375	TRANSISTOR		

L : Scandinavia K : USA P : Canada R : Mexico C : China I : Malaysia
 Y : PX(Far East,Hawaii) T : England E : Europe G : Germany V : China(Shanghai)
 Y : AAFES(Europe) X : Australia Q : Russia H : Korea M : Other Areas Δ indicates safety critical components .

PARTS LIST

RXD-303/353/503/553/653/A33/A53

* New Parts
Parts without **Parts No.** are not supplied.
Les articles non mentionnés dans le **Parts No.** ne sont pas fournis.
Teile ohne **Parts No.** werden nicht geliefert.

19

Ref. No	Add-ress	New Parts	Parts No.	Description	Desti-nation	Re-marks
CD MECHANISM (D40-1668-08)						
3	2A,3A		D14-0361-08	ROLLER(TRAY)		
4	1A	*	D13-1969-08	GEAR(PULLEY)		
5	1A	*	D13-1970-08	GEAR(IDLER)		
6	1A	*	D13-1971-08	GEAR(LOAD)		
8	2A	*	D10-3927-08	ARM(SW)		
9	1A	*	J99-0818-08	YRAY(ROTARY)		
12	1B	*	D13-1973-08	GEAR(HLICAL)		
13	2A	*	J11-0854-08	CLAMPER		
15	3B	*	J19-6046-08	HOLDER(TU)		
17	2A	*	A10-3501-08	CHASSIS		
18	1B	*	J99-0817-08	TRAY(SLIDE)		
19	1A	*	D16-0742-08	BELT(LOADING)		
20	3B		J02-1174-08	INSULATOR 37 DARK GREEN		
21	3B		J02-1175-08	INSULATOR 25 LIGHT GREEN		
22	2B	*	D16-0743-08	BELT(ROTARY)		
23	2B	*	G09-0677-08	WIRE SPRING		
24	1A,3B		N09-3359-08	TAP TITE SCREW(2.6X6)		
25	1A	*	N09-8014-08	SCREW		
27	3B	*	D40-1663-05	TRAVERSE UNIT(KCTB5H)		
29	3B	*	E35-2474-08	WIRE HARNESS(3P)		
30	3A,3B	*	E35-2472-08	WIRE HARNESS(6P)		
31	3A,2B	*	E35-2476-08	FFC(7P)		
32	3A,3B	*	E35-2475-08	FFC(16P)		
33	2A	*	T99-0640-08	MAGNET		
35	2A	*	D10-3947-08	ARM ASSY		
36	2B	*	D13-1998-08	GEAR(PASSY)		
37	3A	*	T42-0977-08	MOTOR ASSY(L)		
38	2B	*	T42-0978-08	MOTOR ASSY(R)		
39	2A	*	G11-2748-08	CUSHION		
40	2B	*	D13-2000-08	GEAR(FINAL)		
41	2B	*	S74-0090-08	LEAF SWITCH		
42	3A	*	G11-2732-04	CUSHION		
CASSETTE MECHANISM (D41-1661-05)						
401	2D	*	D16-0748-08	MAIN BELT		
402	2D	*	D16-0749-08	F/R BELT		

HOW TO READ THE PARTS LIST

ABBREVIATION OF MODEL AND MASS PRODUCTION'S DESTINATIONS

MODEL	CNT ABB.	Australia X	Canada P	China C	England T	Europe E	Germany G	Korea H	Malaysia I
RXD-503	1	-	P	-	-	E	-	-	-
RXD-503E		-	-	-	-	E1	-	-	-
RXD-303	2	-	-	-	-	E	-	-	-
RXD-303E		-	-	-	-	E1	-	-	-
RXD-653	3	X	-	-	T	E	-	-	-
RXD-653E		-	-	-	-	E1	-	-	-
RXD-A33	4	-	P	-	-	-	-	-	-
RXD-353	5	X	-	-	T	E	-	H	-
RXD-353E		-	-	-	-	E1	-	-	-
RXD-A53	6	-	P	-	-	-	-	-	-
RXD-A53-GR		-	P1	-	-	-	-	-	-
RXD-553	7	X	-	-	T	E	-	-	-
RXD-553E		-	-	-	-	E1	-	-	-
RXD-553-GR		-	-	-	T1	E	-	-	-
RXD-553E-GR		-	-	-	-	E1	-	-	-
MODEL	CNT ABB.	Mexico R	PX/AAFES Y	Russia Q	Scandinavia L	Shanghai V	USA K	Other area M	
RXD-503	1	-	-	-	-	-	K	-	-
RXD-503E		-	-	-	-	-	-	-	-
RXD-303	2	-	-	-	-	-	K	-	-
RXD-303E		-	-	-	-	-	-	-	-
RXD-653	3	-	-	-	-	-	-	-	-
RXD-653E		-	-	-	-	-	-	-	-
RXD-A33	4	-	-	-	-	-	K	-	-
RXD-353	5	-	Y	-	-	-	-	M,M5	-
RXD-353E		-	-	-	-	-	-	-	-
RXD-A53	6	-	-	-	-	-	K	-	-
RXD-A53-GR		-	-	-	-	-	K1	-	-
RXD-553	7	-	Y	-	-	-	-	M,M5	-
RXD-553E		-	-	-	-	-	-	-	-
RXD-553-GR		-	-	-	-	-	-	-	-
RXD-553E-GR		-	-	-	-	-	-	-	-

L : Scandinavia K : USA P : Canada R : Mexico C : China I : Malaysia
Y : PX(Far East,Hawaii) T : England E : Europe G : Germany V : China(Shanghai)
Y : AAFES(Europe) X : Australia Q : Russia H : Korea M : Other Areas Δ indicates safety critical components.

SPECIFICATIONS

Main unit (XD-5/6/7...Series)

[Amplifier section]

Rated power output
(For U.S.A. and Canada)

100 watts per channel minimum RMS, both channels driven, at 6 Ω from 70 Hz to 20 kHz with no more than 0.9 % total harmonic distortion. (FTC)

(U.K. and Europe)

1 kHz, 0.7 % T.H.D., 6 Ω (DIN) 70 W + 70 W

(Other countries)

1 kHz, 1 % T.H.D., 6 Ω (RMS) 80 W + 80 W

Effective output power during STEREO operation

(For U.S.A. and Canada)

1 kHz, 10 % T.H.D., 6 Ω (RMS) 130 W + 130 W

(Other countries)

1 kHz, 10 % T.H.D., 6 Ω (RMS) 100 W + 100 W

Signal to noise ratio

DVD/VIDEO INPUT 90 dB (IHF' 66)

Input sensitivity / impedance

(For U.S.A. and Canada)

DVD/VIDEO INPUT 300 mV / 47 k Ω

(Other countries)

DVD/VIDEO INPUT 350 mV / 47 k Ω

[Tuner section]

FM tuner section

Tuning frequency range 87.5 MHz ~ 108 MHz

MW (AM) Tuner section

Tuning frequency range

(For U.S.A. and Canada) 530 kHz ~ 1,700 kHz

(For U.K. and, Europe) 531 kHz ~ 1,602 kHz

(Other countries)

9 kHz step 531 kHz ~ 1,602 kHz

10 kHz step 530 kHz ~ 1,610 kHz

LW Tuner section (For U.K.)

Tuning frequency range 153 kHz ~ 279 kHz

[Cassette deck section]

Track 4-track, 2-channel stereo

Recording system AC bias system
(Frequency: 105 kHz)

Heads

A deck Playback head 1

B deck Playback / recording head 1

Erasing head 1

Fast winding time Approx. 115 seconds
(C-60 tape)

[CD player section]

Laser wave length 770 to 795 nm

Laser power class Class 3A

Wow & Flutter Less than unmeasurable Limit

(For Europe and U.K.)

Digital output (Optical) - 15 dBm ~ - 21 dBm
(Wave length 660 nm)

[General]

Power consumption

(For U.S.A. and Canada) 2.5 A

(Other countries) 190 W

Dimensions W : 270 mm (11")

H : 330 mm (13")

D : 390 mm (15-3/8")

Weight (net) 8.3 kg (18.3 lb)

SPECIFICATIONS

Main unit (XD-3...Series)

[Amplifier section]

Rated power output
(For U.S.A. and Canada)

70 watts per channel minimum RMS, both channels driven, at 6 Ω from 70 Hz to 20 kHz with no more than 0.9 % total harmonic distortion. (FTC)

(U.K. and Europe)

1 kHz, 0.7 % T.H.D., 6 Ω (DIN) 50 W + 50 W
(Other countries)

1 kHz, 1 % T.H.D., 6 Ω (RMS) 50 W + 50 W

Effective output power during STEREO operation

(For U.S.A. and Canada)

1 kHz, 10 % T.H.D., 6 Ω (RMS) 100 W + 100 W
(Other countries)

1 kHz, 10 % T.H.D., 6 Ω (RMS) 70 W + 70 W

Signal to noise ratio

DVD/VIDEO INPUT 90 dB (IHF' 66)

Input sensitivity / impedance

(For U.S.A. and Canada)

DVD/VIDEO INPUT 350 mV / 47 kΩ

(Other countries)

DVD/VIDEO INPUT 300 mV / 47 kΩ

[Tuner section]

FM tuner section

Tuning frequency range 87.5 MHz ~ 108 MHz

MW (AM) Tuner section

Tuning frequency range

(For U.S.A. and Canada) 530 kHz ~ 1,700 kHz

(For U.K. and, Europe) 531 kHz ~ 1,602 kHz

(Other countries)

9 kHz step 531 kHz ~ 1,602 kHz

10 kHz step 530 kHz ~ 1,610 kHz

LW Tuner section (For U.K.)

Tuning frequency range 153 kHz ~ 279 kHz

[Cassette deck section]

Track 4-track, 2-channel stereo
Recording system AC bias system
(Frequency: 105 kHz)

Heads

A deck Playback head 1

B deck Playback / recording head 1

Erasing head 1

Fast winding time Approx. 115 seconds
(C-60 tape)

[CD player section]

Laser beam length 770 to 795 nm

Laser power class Class 3A

Wow & Flutter Less than unmeasurable Limit

[General]

Power consumption

(For U.S.A. and Canada) 2 A

(Other countries) 160 W

Dimensions W : 270 mm (11")

H : 330 mm (13")

D : 390 mm (15-3/8")

Weight (net) 8.3 kg (18.3 lb)



1. KENWOOD follows a policy of continuous advancements in development. For this reason specifications may be changed without notice.
2. Sufficient performance may not be possible at very low temperatures (0°C or less).

Note:

Component and circuit are subject to modification to insure best operation under differing local conditions. This manual is based on Europe (E) standard, and provides information on regional circuit modification through use of alternate schematic diagrams, and information on regional component variations through use of parts list.

KENWOOD CORPORATION

14-6, Dogenzaka 1-chome, Shibuya-ku, Tokyo, 150-8501 Japan

KENWOOD SERVICE CORPORATION

P.O. BOX 22745, 2201 East Dominguez St., Long Beach, CA 90801-5745, U.S.A.

KENWOOD ELECTRONICS CANADA INC.

6070 Kestrel Road, Mississauga, Ontario, Canada L5T 1S8

KENWOOD ELECTRONICS LATIN AMERICA S.A.

P.O. BOX 55-2791, Piso 6 plaza Chase, Cl. 47 y Aquilino de la Guardia Panama, Republic de Panama

KENWOOD ELECTRONICS BRASIL LTDA.

Av. Moema, 170-171, Andar-Cobertura "B", Ed. Maximum Service Center, 04077-020 Moema, São Paulo-SP-Brasil

KENWOOD ELECTRONICS U.K. LIMITED

KENWOOD House, Dwight Road, Watford, Herts., WD1 8EB., United Kingdom

KENWOOD ELECTRONICS BELGIUM N.V.

Meachelsesteenweg 418, B-1930 Zaventem, Belgium

KENWOOD ELECTRONICS DEUTSCHLAND GMBH

Rembrücker Str. 15, 63150 Heusenstamm, Germany

KENWOOD ELECTRONICS FRANCE S.A.

13 Boulevard Ney, 75018 Paris, France

KENWOOD ELECTRONICS ITALIA S.p.A.

Via G. Sirtori, 7/9 20129, Milano, Italy

KENWOOD IBÉRICA S.A.

Bolivia, 239-08020 Barcelona, Spain

KENWOOD ELECTRONICS AUSTRALIA PTY. LTD.

(A.C.N. 001 499 074)
16 Giffnock Avenue, North Ryde, N.S.W. 2113, Australia

KENWOOD ELECTRONICS (HONG KONG) LTD.

Unit 3712-3724, Level 37, Tower 1, Metroplaza, 223 Hing Fong Road, Kwai Fong N.T., Hong Kong

KENWOOD ELECTRONICS GULF FZE

P.O. Box 61318, Jebel Ali, Dubai, U.A.E.

KENWOOD ELECTRONICS SINGAPORE PTE LTD.

No. 1 Genting Lane #02-02, KENWOOD Building, Singapore, 349544

KENWOOD ELECTRONICS (MALAYSIA) SDN BHD.

#4.01 Level 4, Wisma Academy Lot 4A, Jalan 19/1 46300 Petaling Jaya Selangor Darul Ehsan Malaysia

KENWOOD ELECTRONICS (THAILAND) CO., LTD.

2019 New Pechburi Road, Bangkok, Huaykwang, Bangkok, 10320 Thailand