

\*\*Refer to page 2 if you want to know system configuration.

\* Refer to parts list on page 33.

In compliance with Federal Regulations, following are reproduction of labels on, or inside the product relating to laser product safety.

KENWOOD-Crop. certifies this equipment conforms to DHHS Regulations No.21 CFR 1040. 10, Chapter 1, subchapter J.

**DANGER : Laser radiation when open and interlock defeated. AVOID DIRECT EXPOSURE TO BEAM.**



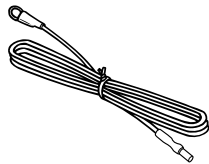
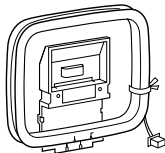
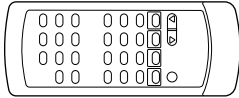
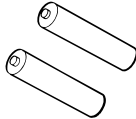
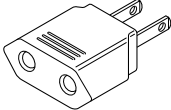
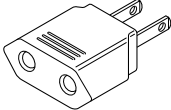
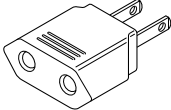
# RXD-655/755

## CONTENTS / ACCESSORIES

### Contents

CONTENTS / ACCESSORIES .....	2	PC BOARD .....	16
EXTERNAL VIEW .....	3	SCHEMATIC DIAGRAM .....	23
DISASSEMBLY FOR REPAIR .....	4	EXPLODED VIEW .....	31
BLOCK DIAGRAM .....	9	PARTS LIST .....	33
CIRCUIT DESCRIPTION .....	10	SPECIFICATIONS .....	Back cover
ADJUSTMENT .....	15		

### Accessories

<p>FM Antenna(1) (T90-0883-08)</p> 	<p>AM Loop Antenna(1) (T90-0879-08)</p> 	<p>Remote Control(1) (A70-1531-08): MXM3M5 (A70-1537-08): ETE2</p> 	<p>"AA" size battery (UM/SUM-3, R6, HP-7 or similar)(2)</p> 		
<table border="0" style="width: 100%;"> <tr> <td style="width: 30%; vertical-align: top;"> <p>AC Plug Adaptor (1) (E03-0115-05)</p>  </td> <td style="width: 70%; vertical-align: top;"> <p>Use to adapt the plug on the power cord to the shape of the wall outlet. (Accessory only for regions where use is necessary.)</p> </td> </tr> </table>				<p>AC Plug Adaptor (1) (E03-0115-05)</p> 	<p>Use to adapt the plug on the power cord to the shape of the wall outlet. (Accessory only for regions where use is necessary.)</p>
<p>AC Plug Adaptor (1) (E03-0115-05)</p> 	<p>Use to adapt the plug on the power cord to the shape of the wall outlet. (Accessory only for regions where use is necessary.)</p>				

### SYSTEM CONFIGURATION

SYSTEM	MAIN UNIT	DESTINATION	SPEAKER
XD-655	RXD-655	ET	LS-N50S
XD-655E	RXD-655E	E2	LS-N50S
XD-655-GR	RXD-655-GR	ET	LS-N50S-GR
XD-655E-GR	RXD-655E-GR	E2	LS-N50S-GR
XD-655-H	RXD-655-H	E	LS-N50S-H
XD-655E-H	RXD-655E-H	E2	LS-N50S-H
XD-655-H	RXD-655M-H	M	LS-N50S-H
XD-655	RXD-655M	MX	LS-N50S
XD-655(M3)	RXD-655L(M3)	M3	LS-N50S(M3)
XD-655(M5)	RXD-655L(M5)	M5	LS-N50S(M3)
XD-755	RXD-755	ET	LS-N70S
XD-755E	RXD-755E	E2	LS-N70S
XD-755	RXD-755M	MX	LS-N70S
XD-755(M3)	RXD-755L(M3)	M3	LS-N70S(M3)
XD-755(M5)	RXD-755L(M5)	M5	LS-N70S(M3)
XD-855	RXD-755	ET	LS-N90S
XD-855E	RXD-755E	E2	LS-N90S
XD-855	RXD-755M	MX	LS-N90S
XD-855(M3)	RXD-755L(M3)	M3	LS-N90S(M3)
XD-855(M5)	RXD-755L(M5)	M5	LS-N90S(M3)

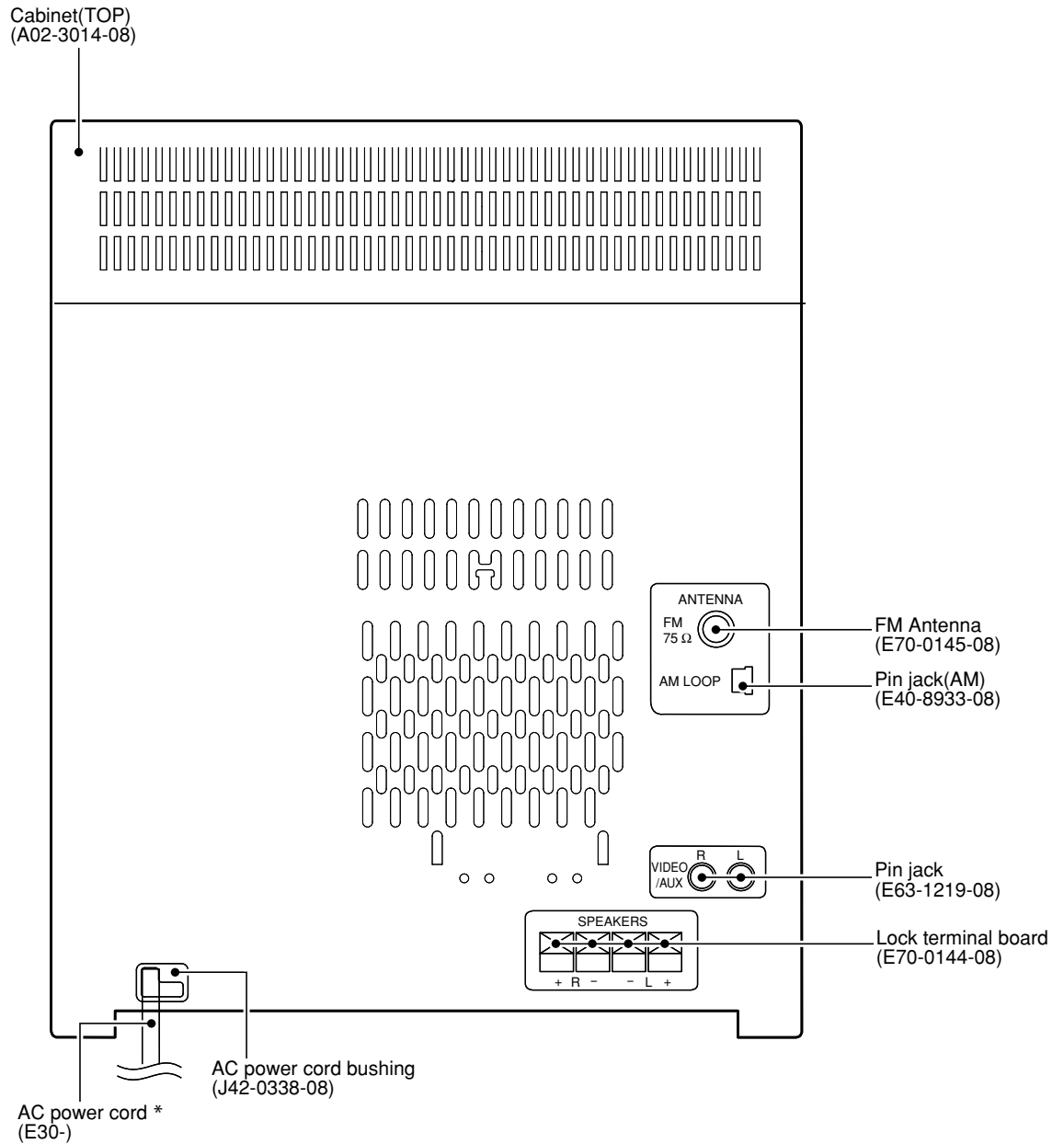
### CAUTIONS

CLASS 1  
LASER PRODUCT

The marking on this product has been classified as Class 1. It means that there is no danger of hazardous radiation from the product.

# RXD-655/755

## EXTERNAL VIEW



\* Refer to parts list on page 33 .

# RXD-655/755

## DISASSEMBLY FOR REPAIR

### Caution on Disassembly

Follow the below-mentioned notes when disassembling the unit and reassembling it, to keep it safe and ensure excellent performance:

1. Take cassette tape and compact disc out of the unit.
2. Be sure to remove the power supply plug from the wall outlet before starting to disassemble the unit.
3. Take off nylon bands or wire holders where they need be removed when disassembling the unit. After servicing the unit, be sure to rearrange the leads where they were before disassembling.
4. Take sufficient care on static electricity of integrated circuits and other circuits when servicing.

STEP	REMOVAL	PROCEDURE	FIGURE
1	Top Cabinet	1. Screw ..... (A1) x4	7-1
2	Side Panel (Left/right)	1. Screw ..... (B1) x8	7-1
3	CD Player Unit/ CD Tray Cover	1. Turn on the power supply, open the disc tray, take out the CD cover, and close. (Note 1) 2. Screw ..... (C1) x1 3. Hook ..... (C2) x3 4. Hook ..... (C3) x2 5. Socket ..... (C4) x2	7-2
4	Rear Panel	1. Screw ..... (D1) x9	7-2
5	Main PWB	1. Screw ..... (E1) x1 2. Socket ..... (E2) x3 3. Flat Cable ..... (E3) x1 4. Tip Wire ..... (E4) x1	7-2
6	Power Supply PWB	1. Screw ..... (F1) x2 2. Socket ..... (F2) x1 3. Flat Wire ..... (F3) x1	8-2
7	Front Panel	1. Screw ..... (G1) x3	8-2
8	Display PWB	1. Screw ..... (H1) x9 2. Socket ..... (H2) x1	8-3
9	Tape Mechanism	1. Open the cassette holder. 2. Screw ..... (J1) x5	8-3
10	Headphones PWB	1. Screw ..... (K1) x1	8-3
11	Turntable	1. Hook ..... (L1) x2 2. Cover ..... (L2) x1	8-4
12	Disc Tray	1. Turn fully the lock lever in the arrow direction. 2. While holding the lock lever, rotate the cam gear until the cam gear rib engages with the clamp lever. 3. Push the slide holder backward to engage the claw with the groove and remove it in the direction of the arrow. .... (M1) x6	7-3 8-1 8-5
13	CD Servo PWB (Note 2)	1. Screw ..... (N1) x1 2. Hook ..... (N2) x2 3. Socket ..... (N3) x4	8-6
14	CD Mechanism	1. Hook ..... (P1) x2 2. Hook ..... (P2) x3	9-1
15	Loading Motor PWB	1. Hook ..... (Q1) x5	9-1

### Note 1:

How to open the changer manually. (Fig. 7-3)

1. In this state, turn fully the lock lever in the arrow direction through the hole on the loading chassis bottom.
2. While holding the lock lever, rotate the cam gear anticlockwise until the cam gear rib engages with the clamp lever. (Fig. 8-1)
3. After that, push forward the CD slide holder.

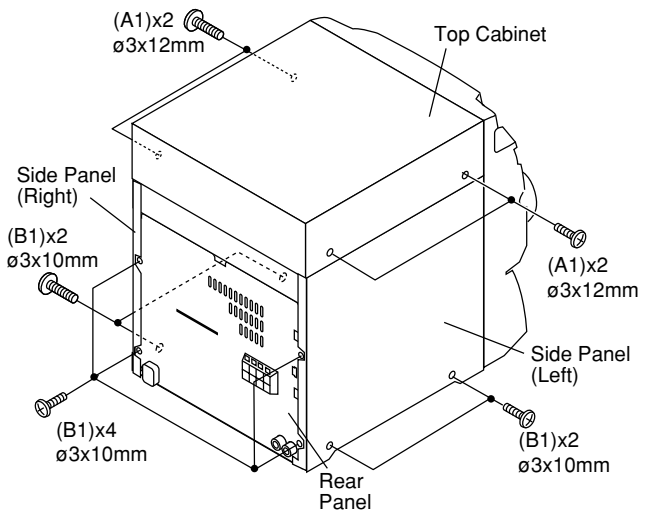


Figure 7-1

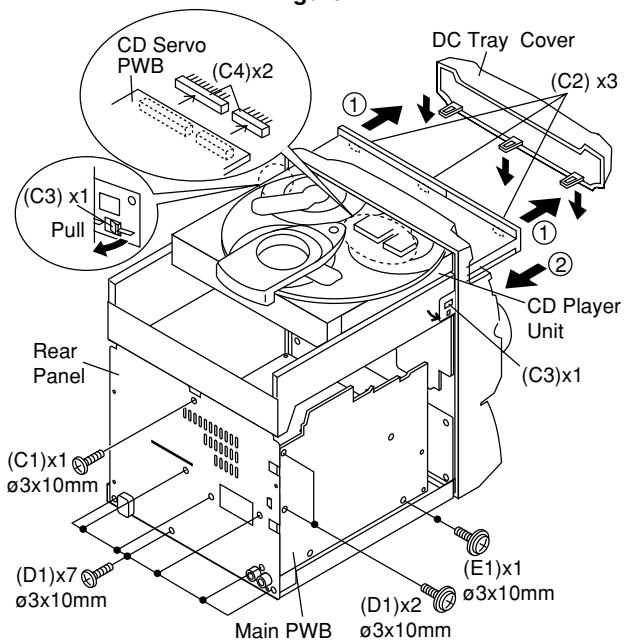


Figure 7-2

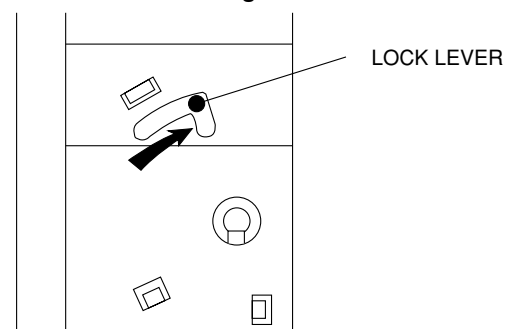


Figure 7-3

### Note 2:

1. After removing the connector for the optical pickup from the connector, wrap the conductive aluminium foil around the front end of the connector so as to protect the optical pickup from electrostatic damage.

### Note 3:

1. Be careful not to break the claw of the CD mechanism.
2. When fixing back the cam gear assembly, let it lock by front movement.

# RXD-655/755

## DISASSEMBLY FOR REPAIR

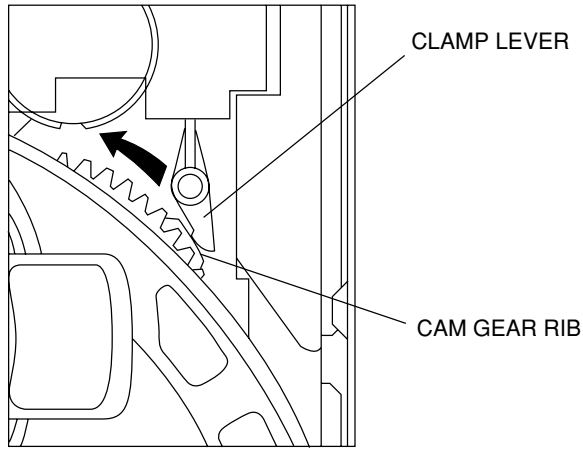


Figure 8-1

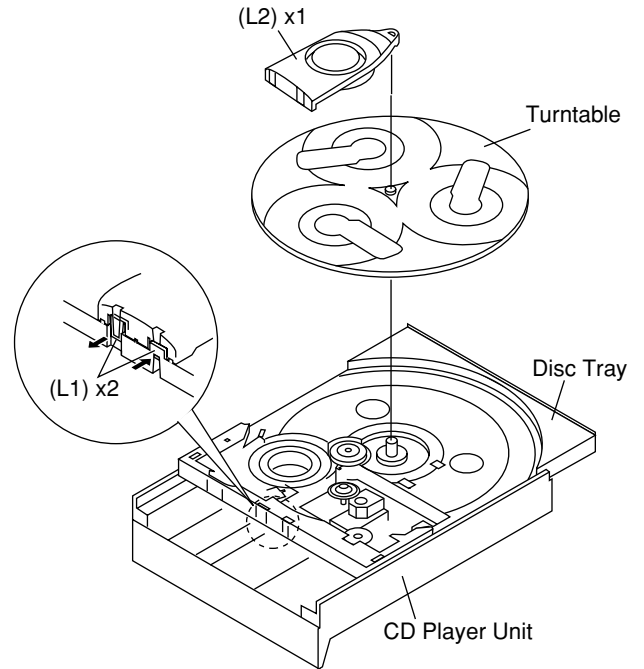


Figure 8-4

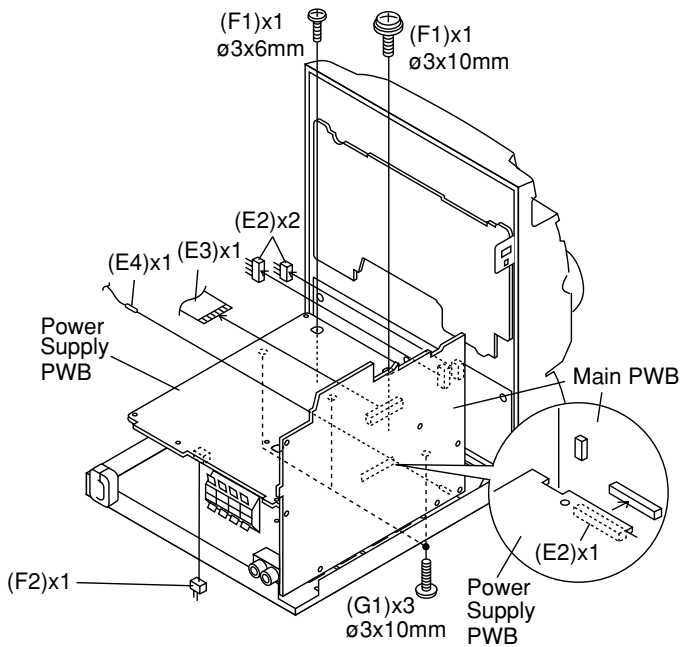


Figure 8-2

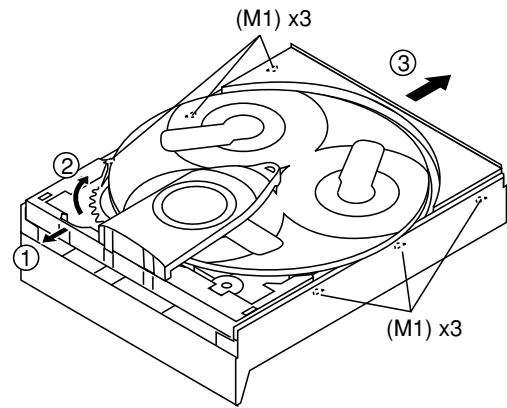


Figure 8-5

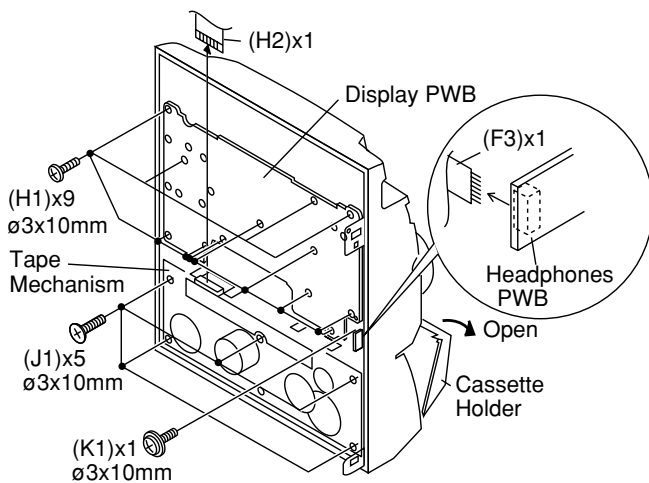


Figure 8-3

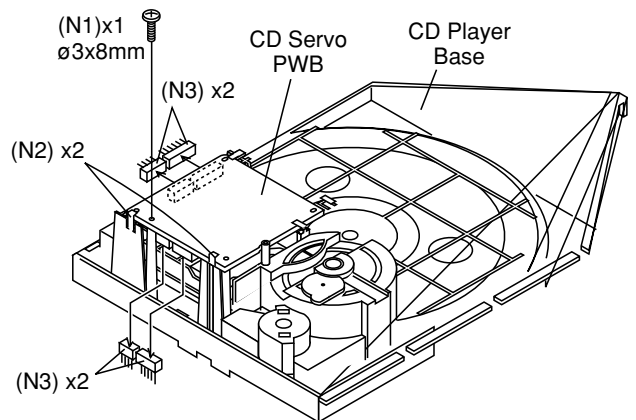


Figure 8-6

# RXD-655/755

## DISASSEMBLY FOR REPAIR

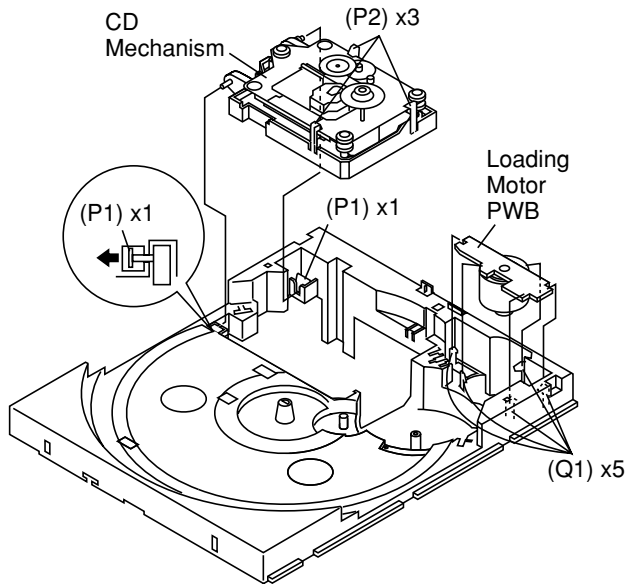


Figure 9-1

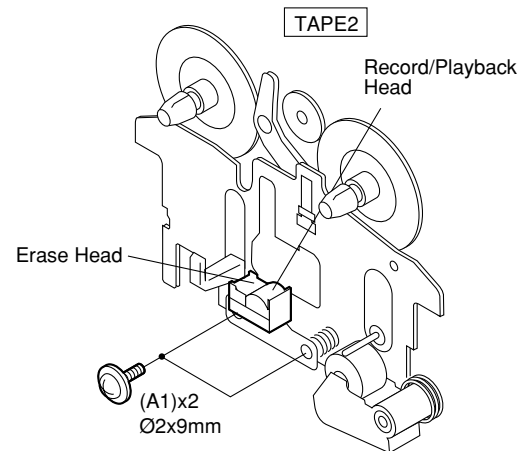


Figure 10-1

## REMOVING AND REINSTALLING THE MAIN PARTS

### TAPE MECHANISM SECTION

Perform steps 1 to 7 and 9 of the disassembly method to remove the tape mechanism.

#### How to remove the record/playback and erase heads (TAPE 2) (See Fig. 10-1)

1. When you remove the screw (A1) x 2 pcs., the recording/playback head and three-dimensional head of the erasing head can be removed.

#### How to remove the playback head (TAPE 1) (See Fig. 10-2)

1. When you remove the screw (B1) x 2 pcs., the playback head.

#### How to remove the pinch roller (TAPE 1/2) (See Fig. 10-3)

1. Carefully push the inside claw to remove it. The pinch roller pawl in the direction of the arrow <A>, and remove the pinch roller (C1) upwards.

#### Note:

When installing the pinch roller, pay attention to the spring mounting position.

#### How to remove the belt (TAPE 1) (See Fig. 10-4)

1. Remove the main belt (D1) x 1 pc., from the motor side.
2. Remove the FF/REW belt (D2) x 1 pc.

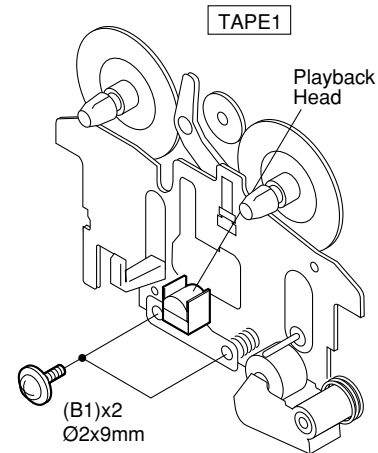


Figure 10-2

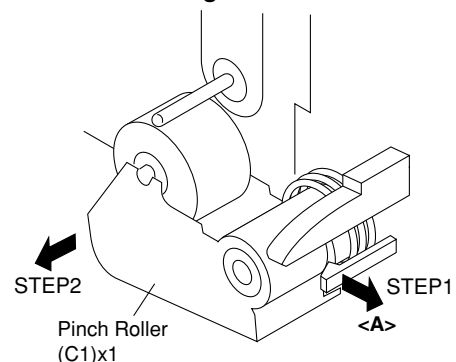


Figure 10-3

# RXD-655/755

## DISASSEMBLY FOR REPAIR

### How to remove the belt (TAPE 2) (See Fig. 10-4)

1. Remove the main belt (E1) x 1 pc., from the motor side.
2. Remove the FF/REW belt (E2) x 1 pc.

### How to remove the motor (See Fig. 10-5)

1. Remove the screws (F1) x 2 pcs., to remove the motor.

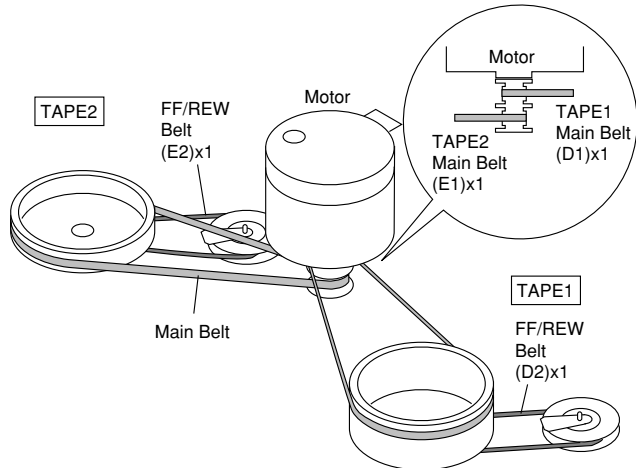


Figure 10-4

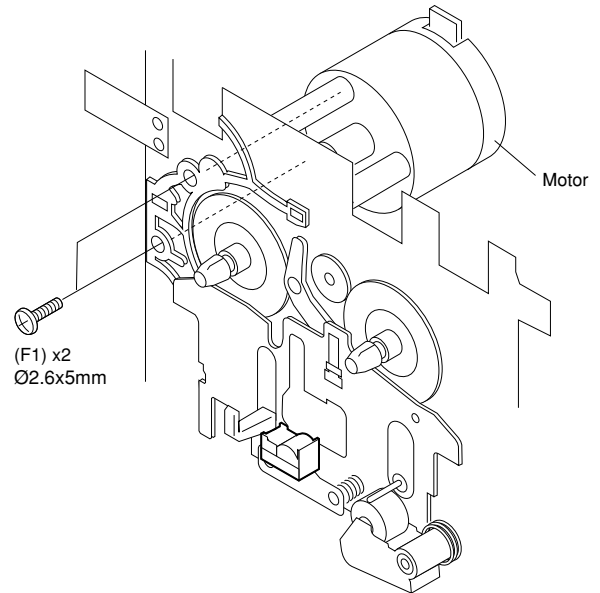


Figure 10-5

## CD MECHANISM SECTION

Perform steps 1, 2, 3, 11 and 14 of the disassembly method to remove the CD mechanism.

### How to remove the loading motor (See Fig. 11-1)

(See Fig. 11-1)

1. Bend the hooks (A1) x 5 pcs., to remove the loading motor.

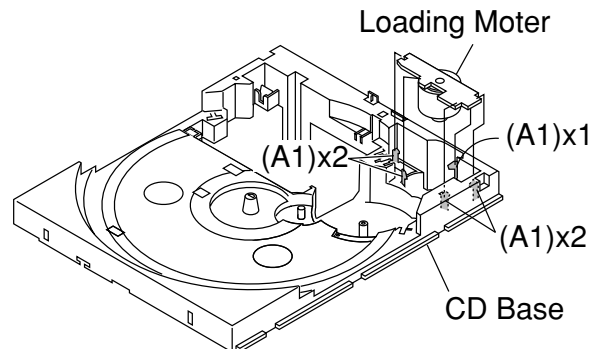


Figure 11-1

### How to remove the pickup (See Fig. 11-2)

1. Remove the stop washer (B1) x 1 pc., to remove the gear (B2).
2. Remove the screws (B3) x 2 pcs., to remove the shaft (B4).
3. Remove the pickup.

#### Note

After removing the connector for the optical pickup from the connector wrap the conductive aluminium foil around the front end of connector so as to protect the optical pickup from electrostatic damage.

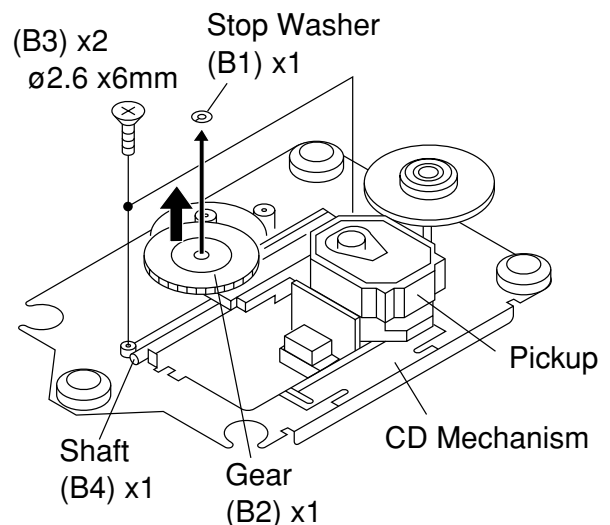
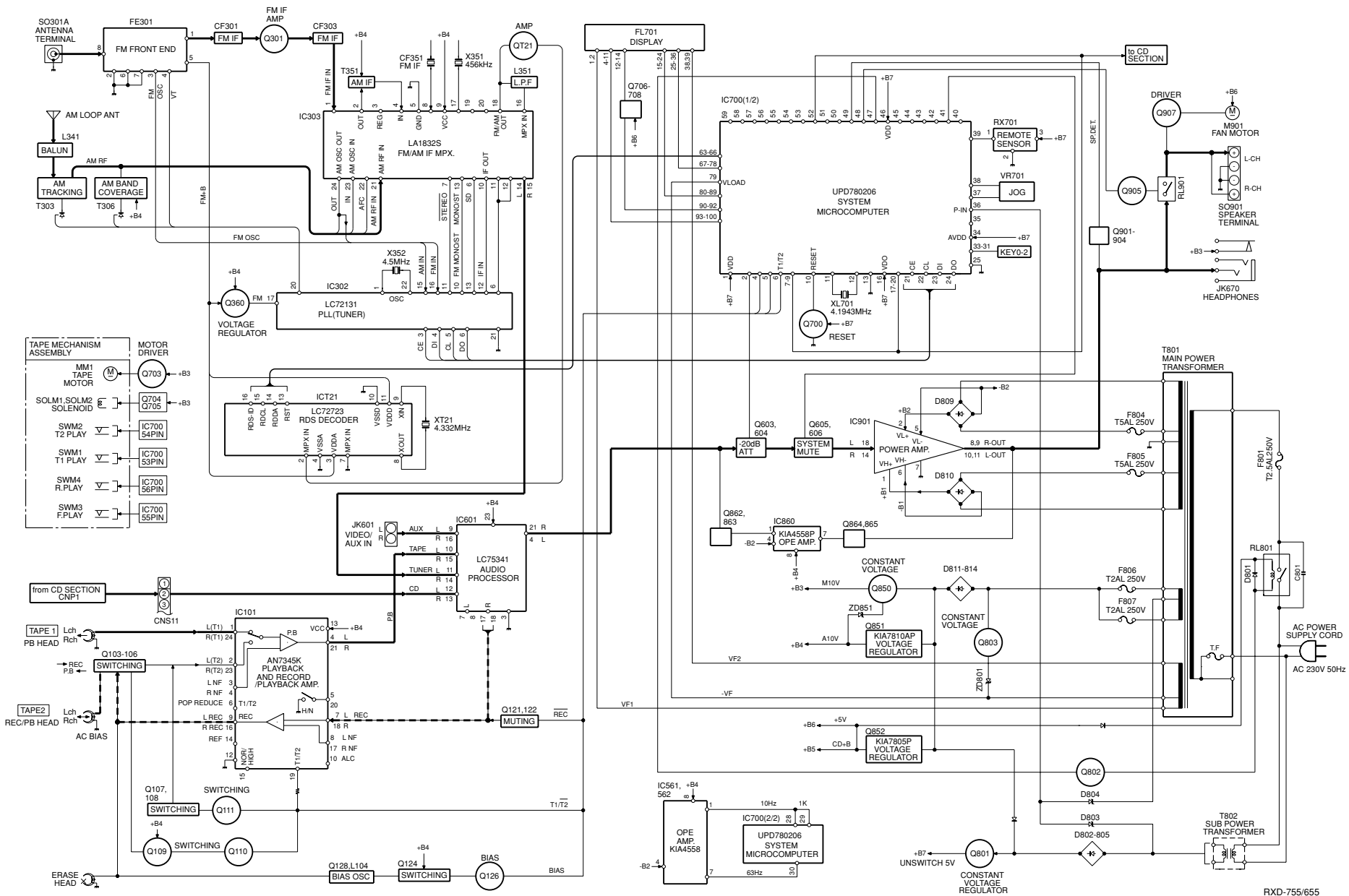


Figure 11-2



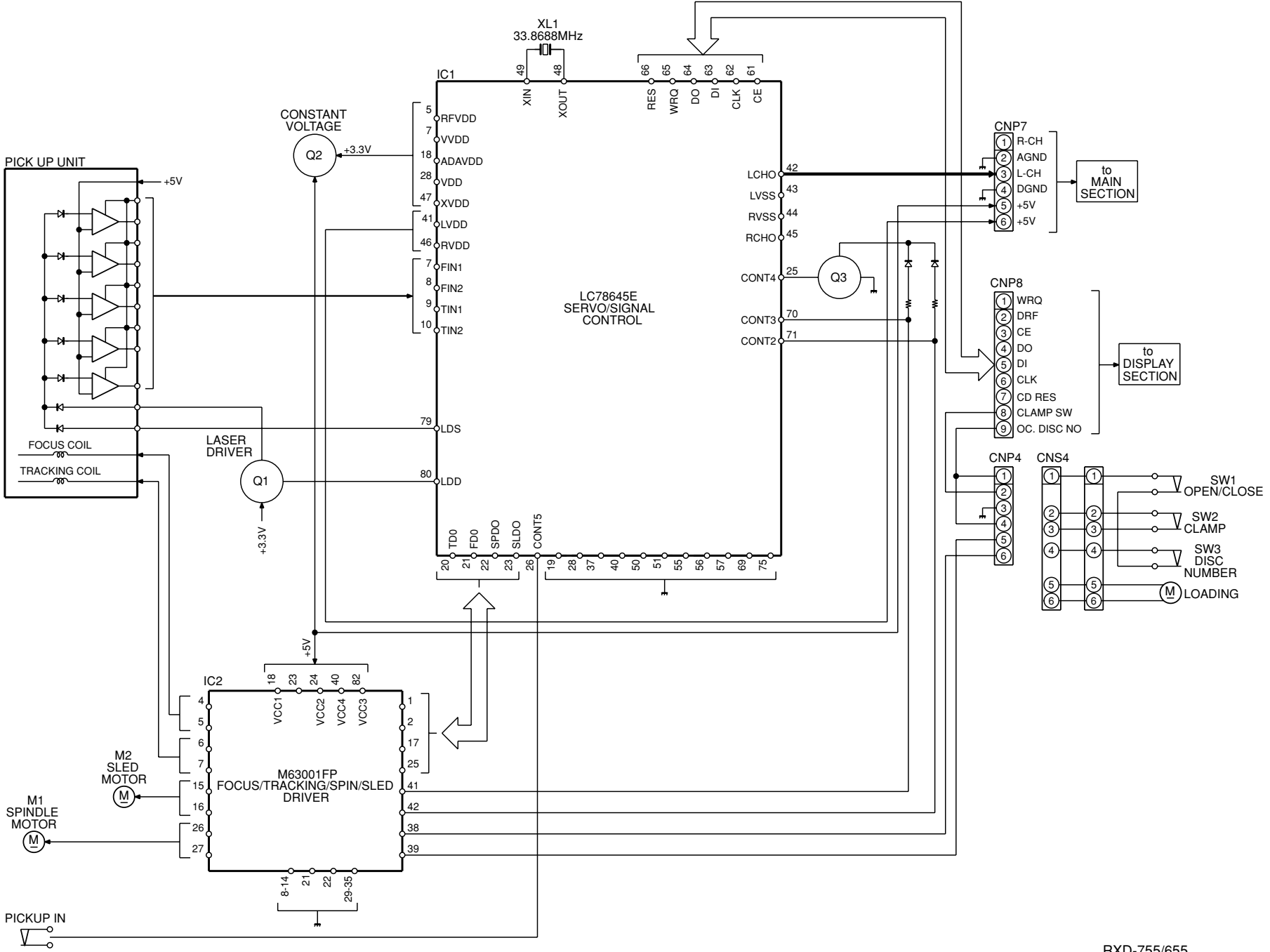
# BLOCK DIAGRAM

# RXD-655/755



# BLOCK DIAGRAM

# RXD-655/755



RXD-755/655

# RXD-655/755

## CIRCUIT DESCRIPTION

### 1. Port Description of Microprocessor

Port No.	Port Name	I/O	Function
1	VDD	-	POWER SUPPLY(+5V)
2	-20dB ATT	O	-20dB ATTENUATION
3	NO USE/DSA STB	-	GND
4	T BIAS	O	DECK BIAS CONTROL
5	T T1/T2	O	DECK T1/T2 CHANGE OVER
6	REC/PLAY	O	DECK RECORDING/PLAYBACK CHANGE OVER
7	RES OUT	O	CD DSP REQUEST
8	DRF	I	CDRF LEVEL DETECTION
9	WRQ	I	CD DSP WRITE REQUEST
10	REQUEST	I	RESET SIGNAL INPUT
11	X2	O	MAIN CLOCK OUTPUT
12	X1	I	MAIN CLOCK INPUT
13	VPP/IC	-	GND
14	XT2	-	OPEN
15	SPN	-	OPEN
16	VDD	-	POWER SUPPLY(+5V)
17	CD CLK	O	CD DSP CLOCK
18	CD DI	O	CD DSP COMMAND
19	CD DO	I	CD DSP CODE Q INPUT
20	CD CE	O	CD DSP CE OUTPUT
21	CE	O	CHIP ENABLE OUTPUT
22	CLK	O	CLOCK OUTPUT
23	DI	O	DATA OUTPUT
24	DO	I	DATA INPUT
25	AVSS	-	GND
26	O/C SW/DSA DATA	I	CD OPEN CLOSE SWITCH INPUT
27	NO USE/DSA ACK /TUN SM	I	TUNER SIGNAL METER INPUT
28	SPEANA 2	I	SPEANA DATA INPUT(16kHz)
29	SPEANA 1	I	SPEANA DATA INPUT(1kHz)
30	SPEANA 0	I	SPEANA DATA INPUT(63kHz)
31~33	KEY2~KEY0	I	KEY INPUT
34	AVDD	-	ANALOG POWER SUPPLY
35	AVREF	-	ANALOG REFERENCE VOLTAGE
36	P IN	I	POWER FAILURE DETECTION
37,38	JOG1,0	I	JOG VOLUME INPUT 1, 0
39	REMOCON	I	REMOTE CONTROL SIGNAL INPUT
40	VSS	-	GND
41	SMUTE	O	SYSTEM MUTE CONTROL
42	T SOL B	O	DECK2 SOLENOID CONTROL
43	T SOL A	O	DECK1 SOLENOID CONTROL
44	T MOTOR	O	DECK MOTOR CONTROL
45	TIMER LED	O	TIMER LED CONTROL
46	VDD	-	POWER SUPPLY(+5V)
47	AC RLY CONT.	O	AC RELAY CONTROL
48	SP RLY	O	SPEAKER OUTPUT RELAY CONTROL
49	SP DET	I	SPEAKER OUTPUT DETECTION
50	T1 RUN	I	DECK1 REEL SENSOR DETECTION PORT
51	T2 RUN	I	DECK2 REEL SENSOR DETECTION PORT
52	CD CLAMP SW	I	CD CHANGER CLAMP SWITCH INPUT
53	PLAY SW A	I	DECK PLAY SWITCH A INPUT
54	PLAY SW B	I	DECK PLAY SWITCH B INPUT
55	FPA	I	DECK FORWARD RECORDING SWITCH INPUT

## CIRCUIT DESCRIPTION

Port No.	Port Name	I/O	Function
56	FPB	I	DECK REVERSE RECORDING SWITCH INPUT
57	MIC IN	-	OPEN
58	MP3 LED	-	OPEN
59	DESTOUT	O	DISCRIMINATION PORT FOR DESTINATION
60	STANDBY LED	O	STANDBY LED CONTROL
61	KARAOKE LATCH	-	OPEN
62	NO USE/MPEG POW	-	CONNECTED TO GROUND
63	RDS RST	O	RDS RAM RESET
64	RDS RDDA	I	RDS TRANSMIT DATA INPUT
65	RDS RDCL	O	RDS CLOCK
66	RDS READY	I	READY DATA INPUT
67~70	P22~P19	O	FL DISPLAY CONTROL PORT
	DEST3~DEST0	I	DESTINATION INPUT PORT
71~78	P18~P11	O	FL DISPLAY CONTROL PORT
79	VLOAD	-	FL DRIVER POWER SUPPLY(-30V)
80~89	P10~P1	O	FL DISPLAY SEGMENT CONTROL PORT
90~100	G11~G1	O	FL DISPLAY GRID CONTROL PORT

## 2. Pin Description of IC

### 2-1 Focus/Tracking/Spin/Sled Driver : M63001FP (CD Section IC2)

Port No.	Port Name	I/O	Function
1	TO	I	CH2 inverted input.
2	FD	I	CH1 inverted input.
3	NC	O	Unused.
4	FO+	O	CH1 inverted output.
5	FO-	O	CH1 non-inverted output.
6	TR+	O	CH2 inverted output.
7	TR-	O	CH2 non-inverted output.
8~14	GND	-	GND
15	SL-	O	CH3 non-inverted output.
16	SL+	O	CH3 inverted output.
17	SLDO	I	CH3 inverted input.
18	VCC	-	Power supply 1 (CH1, CH2, CH3).
19	STANDBY	I	STANDBY signal input.
20	VREF	-	CH1~CH4 reference voltage input.
21	MUTE	I	Mute signal input (CH6).
22	GND	-	GND
23	VCC	-	Connected to power supply.
24	VCC2	-	Power supply 2 (CH4).
25	SPD	I	CH4 inverted input.
26	SP+	O	CH4 inverted output.
27	SP-	O	CH4 non-inverted output.
28	VCC3	-	Power supply 3 (CH5).
29~35	GND	-	GND
36,37	NC	O	Unused.
38	M-	O	CH6 non-inverted output.
39	M+	O	CH6 inverted output.
40	VCC4	-	Power supply 4 (CH6).
41	LDM-	I	CH6 inverted input.
42	LDM+	I	CH6 non-inverted input.

# RXD-655/755

## CIRCUIT DESCRIPTION

### 2-2 RDS Demodulation LSI(TUNER Section, ICT21)

Port No.	Port Name	I/O	Function
1	VREF	O	Reference voltage output.
2	MPXIN	I	Baseband (multiplexed) signal input.
3	VDDA	-	Analog power supply (+5V).
4	VSSA	-	Analog ground.
5	FLOUT	O	Subcarrier output (filter output).
6	CIN	I	Subcarrier input (comparator input).
7	TEST	I	Test input.
8	XOUT	O	Crystal oscillator output (4.332MHz).
9	XIN	I	Crystal oscillator input (4.332MHz).
10	VSSD	-	Digital ground.
11	VDDD	-	Digital power supply (+5V).
12	MODE	I	Read mode setting (0 : master, 1 : slave).
13	RST	I	RDS-ID/RAM reset (positive polarity).
14	RDDA	O	RDS data output.
15	RDCL	I/O	RDS clock output (master mode)/RDS clock input (slave mode).
16	RDS-ID/READY	O	RDS-ID/READY output (negative polarity).

### 3. Test Mode

#### 3-1 How to Set up the Test Mode

- During POWER OFF mode, push below each 2 keys and [POWER] key.  
Then go to each TEST MODE.

KEYS	TEST MODE
[ POWER ] [ SOUND ] + [ CD ]	CD TEST MODE
[ POWER ] [ SOUND ] + [ STOP ]	ALL CLEAR (RESET)
[ POWER ] [ TUN DOWN ] + [ TUNER ]	PRODUCTION INITIALIZE FOR CHANGER
[ POWER ] [ REC ] + [ CD ]	CD CHANGER TEST

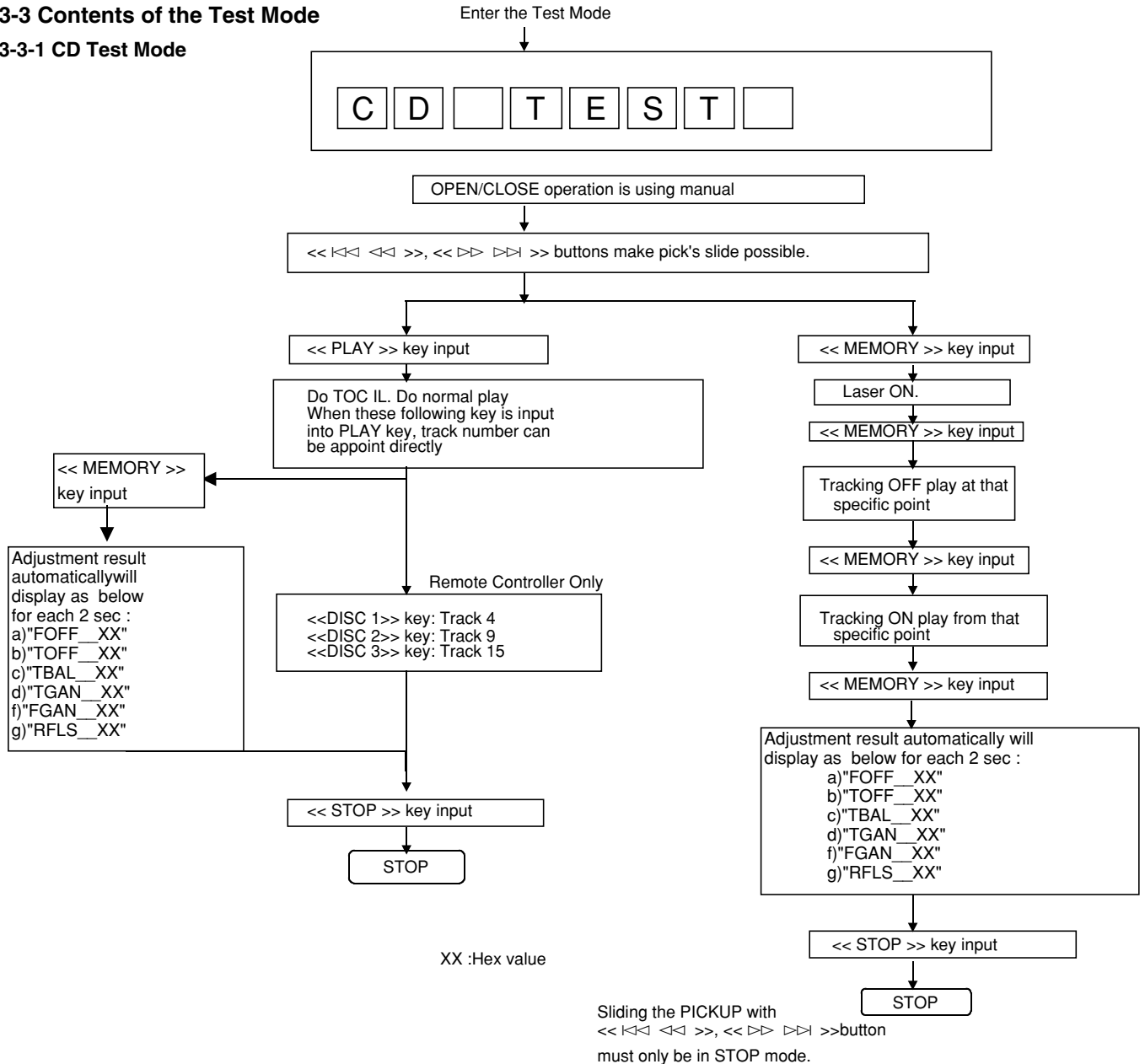
#### 3-2 Cancelling the Test Mode

- Turn the power off.

## CIRCUIT DESCRIPTON

### 3-3 Contents of the Test Mode

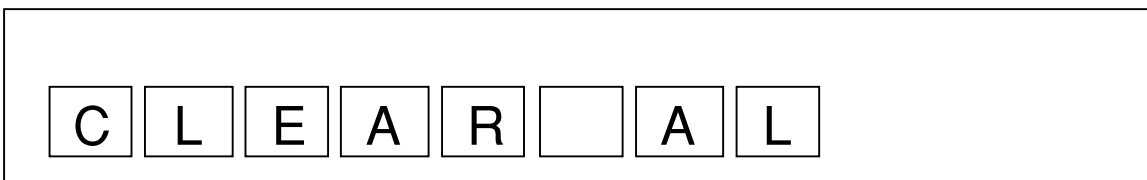
#### 3-3-1 CD Test Mode



#### 3-3-2 Software Reset

- Function:
- Software RESET.
  - All the function condition will be initialize.
  - It will jump to A operation in case of power ON.
  - After display "CLEAR ALL", power will off.
  - Forwarding condition set for CD changer.
  - Forwarding condition set for TAPE mecha.

"CLEAR\_AL" display



# RXD-655/755

## CIRCUIT DESCRIPTION

### 3-3-3 Initializing the CD changer

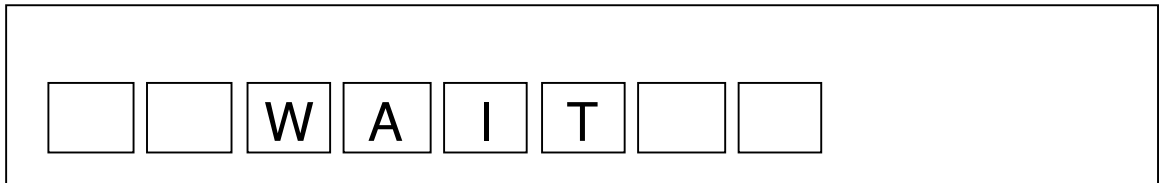
Function: The SET will  
be set to  
"shipping

- All the function, condition are initialized.
- CLEAR ALL TUNER PRESET MEMORY .
- CLOCK INITIAL
- CLEAR CD MEMORY
- Initialize the CD changer mecha and compact cassette mecha.
- For CD changer mecha, set the CD mecha in upward condition.

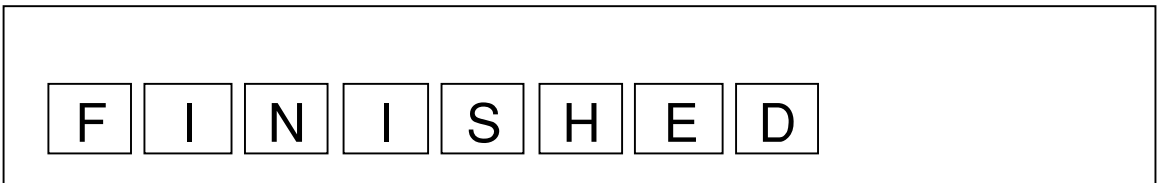
#### Display, key input

When initialize the mechanism, it will display "WAIT" and will not accept any changes in input  
After "shipping condition" setting is ended, "FINISHED" is displayed and any key input will be prohibited.  
If there are any troubles and "shipping condition" cannot be set, "ERR" will be displayed.

"WAIT" display

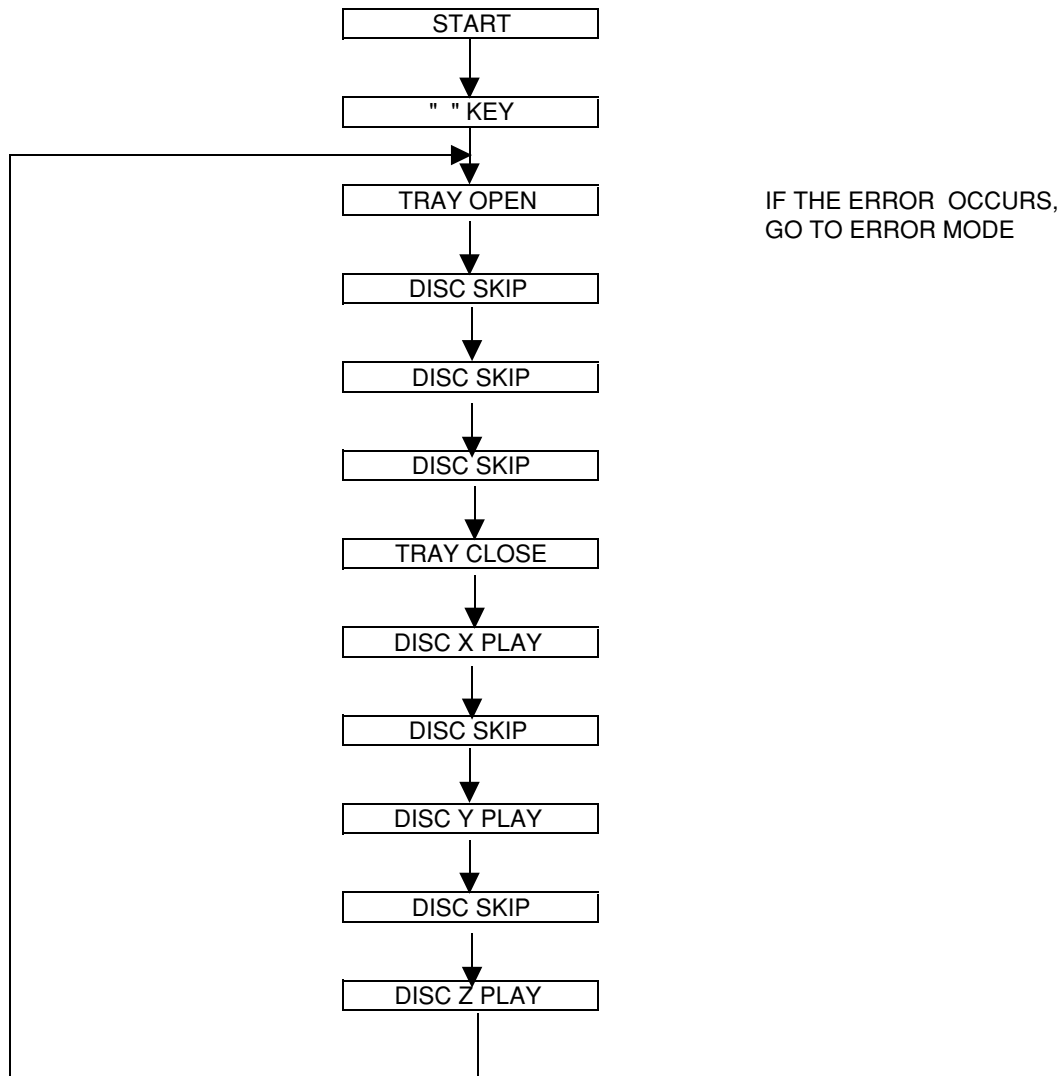


"FINISHED" display



## CIRCUIT DESCRIPTON

### 3-3-4 CD Changer Aging Test Mode



### 4. Standard Specification of Stereo System Error Message Display Contents

Error Contents		Display	Notes
Output while Device Protection Operation		'PROTECT'	Due to over current detection or unit in protect circuit operation.
DSP Control Error		'ER-AP***'	10:DSP Control Error (general)
TAPE	Mechanism Error	'ER-TA***'	00:Tape Mechanism Error 01:Initial Error
CD/VCD	Pick-Up Mechanism Error	'ER-CD***'	00:Pick-up Mechanism Error 01:PU-IN SW Detection NG
	CD Changer Mechanism Error	'ER-CD***'	10:Changer Error 11:Initial Error
	Tray Error	'ER-CD***'	20:Tray Error
	Focus Not Match	'NO DISC'	
TUNER	Micon Communication Error	'ER-CD***'	30:System-VCD 31:Syatem-CD Servo
	PLL UnLock	'ER-TU***'	00:TUN Error 01:PLL Unlock
	RDS Connection	WEAK SIG	Signal is too weak to receive.

# RXD-655/755

## ADJUSTMENT

### TUNER SECTION

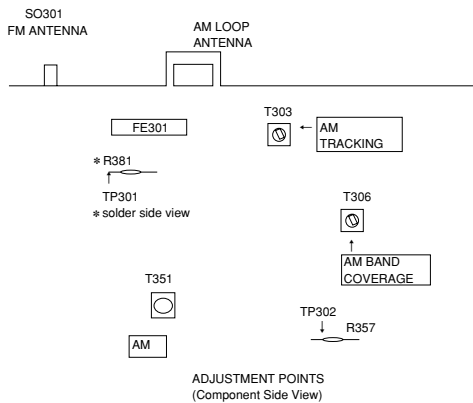
fL : Low-range frequency  
fH : High-range frequency

#### • AM IF/RF

Signal generator : 400HZ, 30%, AM modulated

Test Stage	Frequency	Frequency Display	Setting/Adjusting	Parts/Instrument Connection
AM IF	450kHz	1620kHz	T351	*1
AM Band Coverage	-	522kHz	(fL) : T306 1.1±0.1V	*2
AM Tracking	990kHz	990kHz	(fL) : T303	*1

- \* 1. Input Antenna      Output : TP302
- \* 2. Input Antenna      Output : TP301



#### • FM Notes

- Description of the "FM IF Adjustment" is not carried on this manual. It is because the IF coil in the FM front end section has been best adjusted in the factory so that its further adjustment is not needed at the field. When replacing the FM front end assembly, no adjustment is needed either.
- The parts in the FM front end section are prepared in a complete unit, so you can't obtain each part individually.

### CD SECTION

#### • Adjustment

Since this CD system incorporates the following automatic adjustment functions, readjustment is not needed when replacing the pickup. Therefore, different PWBs and pickups can be combined freely. Each time a disc is changed, these adjustments are performed automatically. Therefore, playback of each disc can be performed under optimum conditions.

#### Items adjusted automatically

- Offset adjustment (The offset voltage between the head amplifier output and the VREF reference voltage is compensated inside the IC.)
  - \* Focus offset adjustment
  - \* Tracking offset adjustment
- Tracking balance adjustment (waveform drawing 12-2 EFBL)
- Gain adjustment (The gain is compensated inside the IC so that the loop gain at the gain crossover frequency will be 0dB.)
  - \* Focus gain adjustment
  - \* Tracking gain adjustment

### CD ERROR CODE DESCRIPTION

Error	State Code
0001 0002	[Servo System Error] Cannot detect Pickup-in SW DSP access error
0101 0103	[Error during close operation] Open/Close SW not functioning (Low → High) Open/Close SW not functioning (High → Low)
0201 0203	[Error during open operation] Open/Close SW not functioning (Low → High) Open/Close SW not functioning (High → Low)
0302 0306 0307 0308	[Error during skip operation] Pickup-in SW is not detected During Disc 1 search, Open/Close SW or Clamp SW or Disc SW do not change to low. Clamp SW not function (Low → High) Clamp SW not function (High → Low)

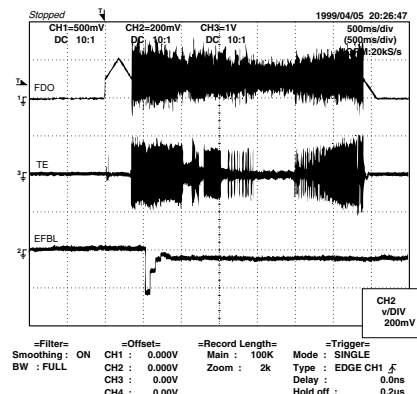
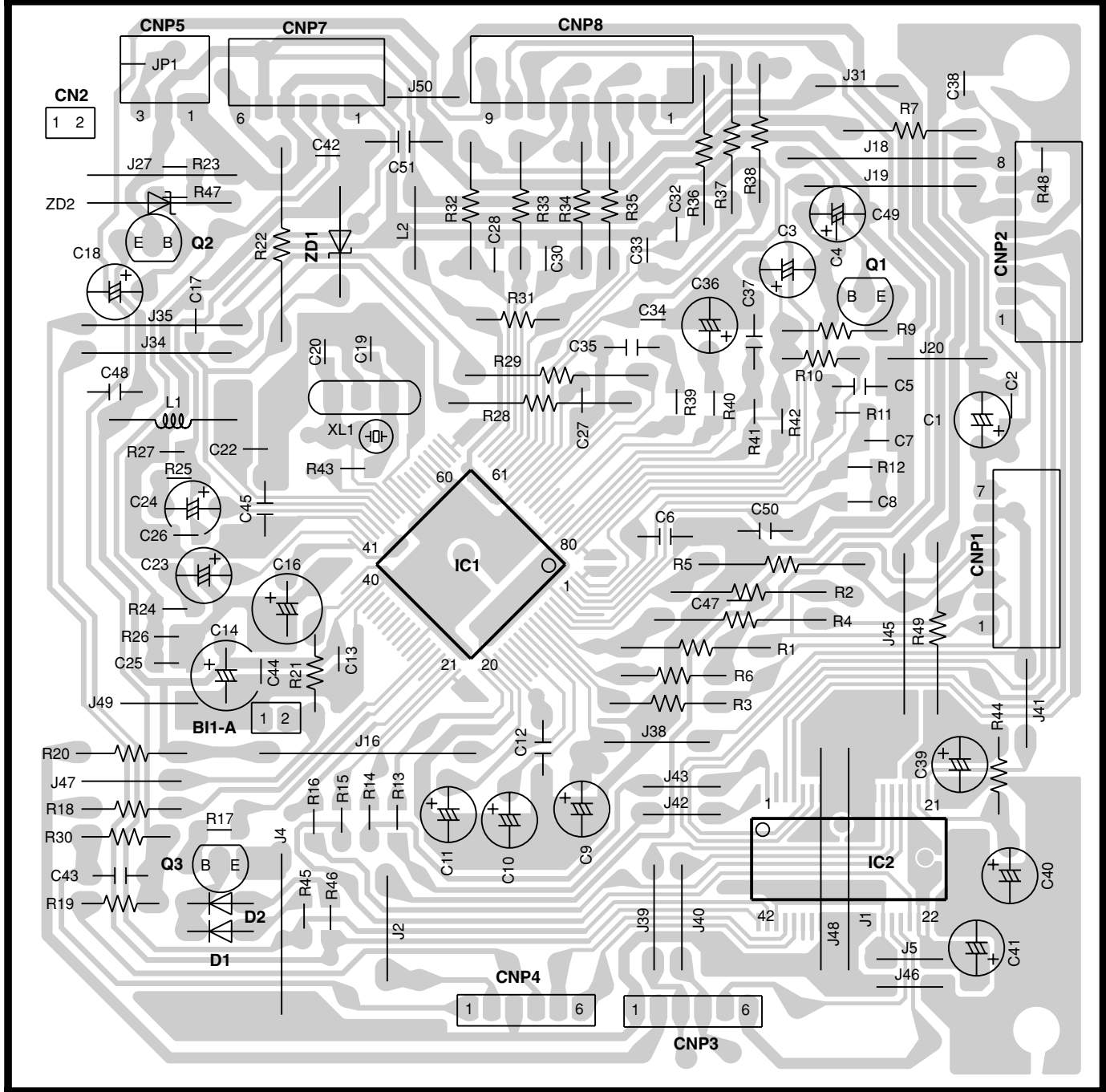


Figure 12-2



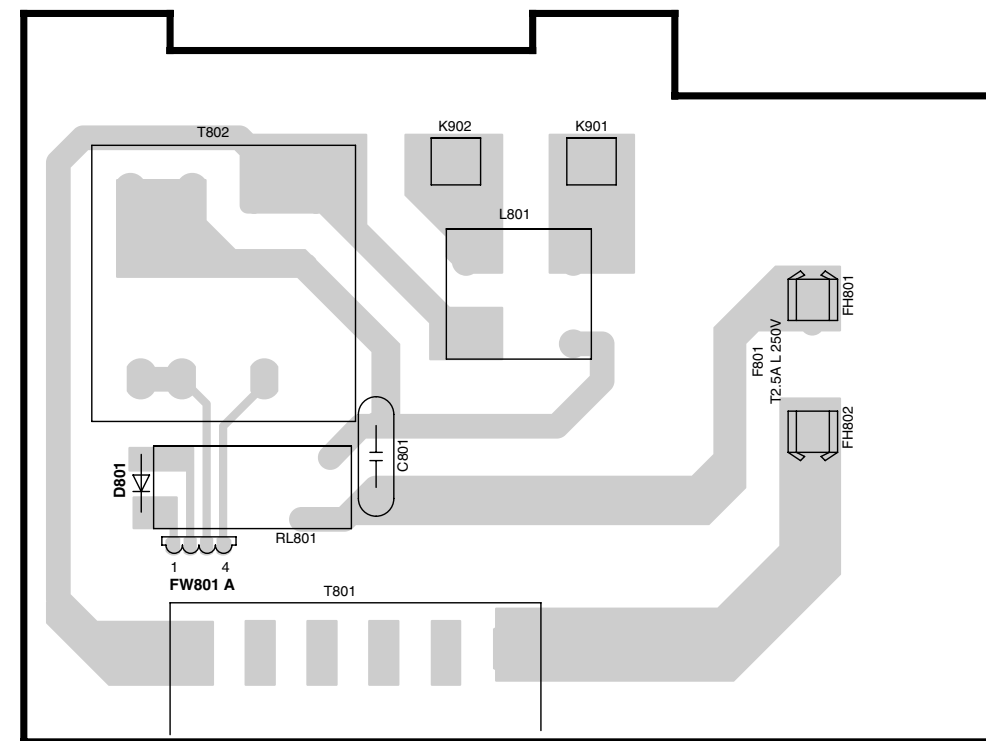
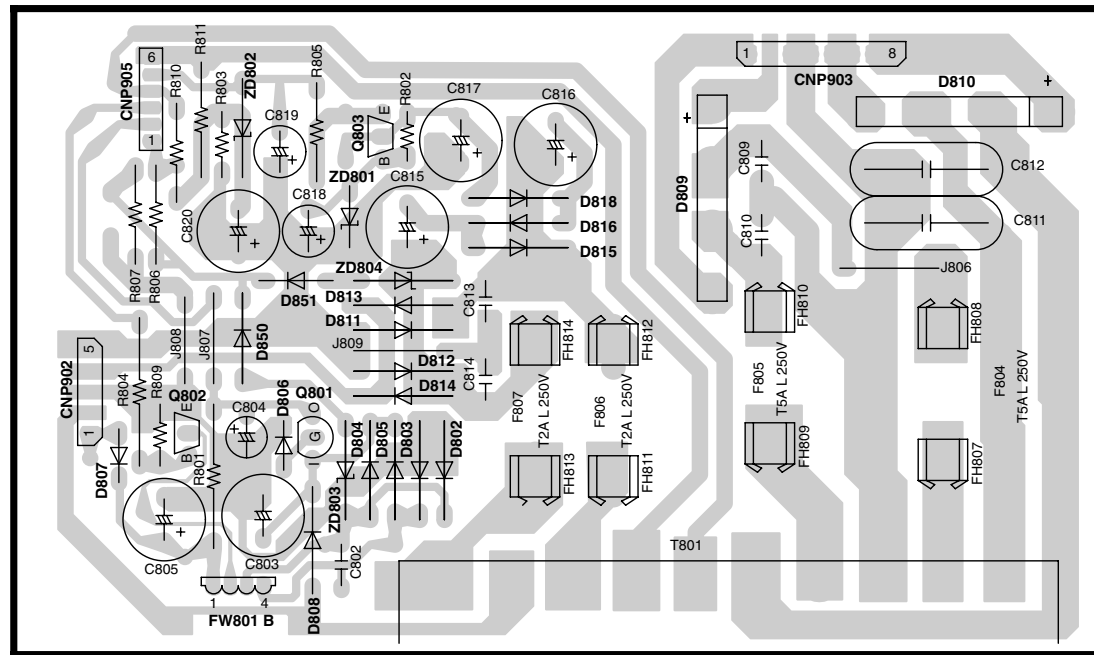
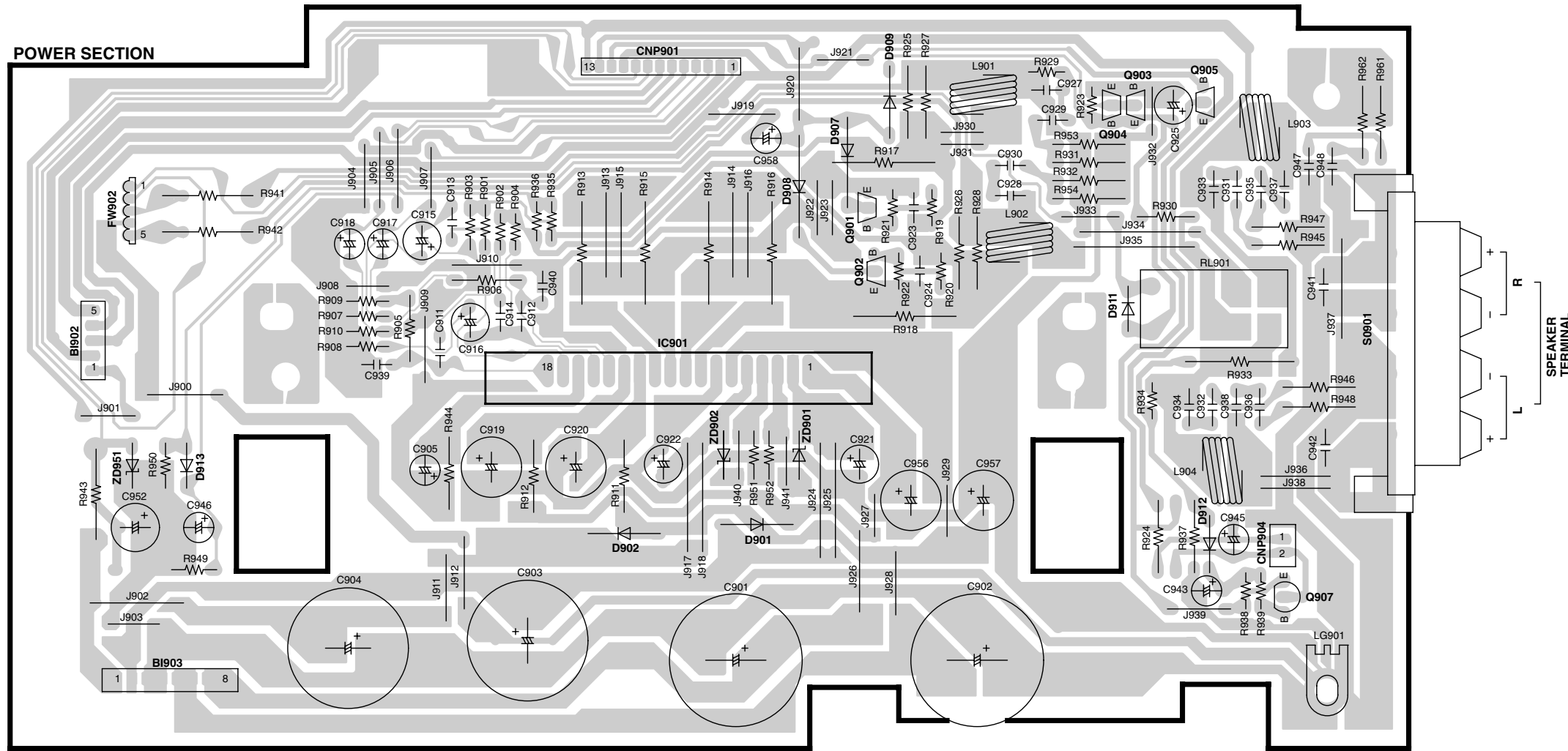
# PC BOARD (Component side view)

## CD SECTION



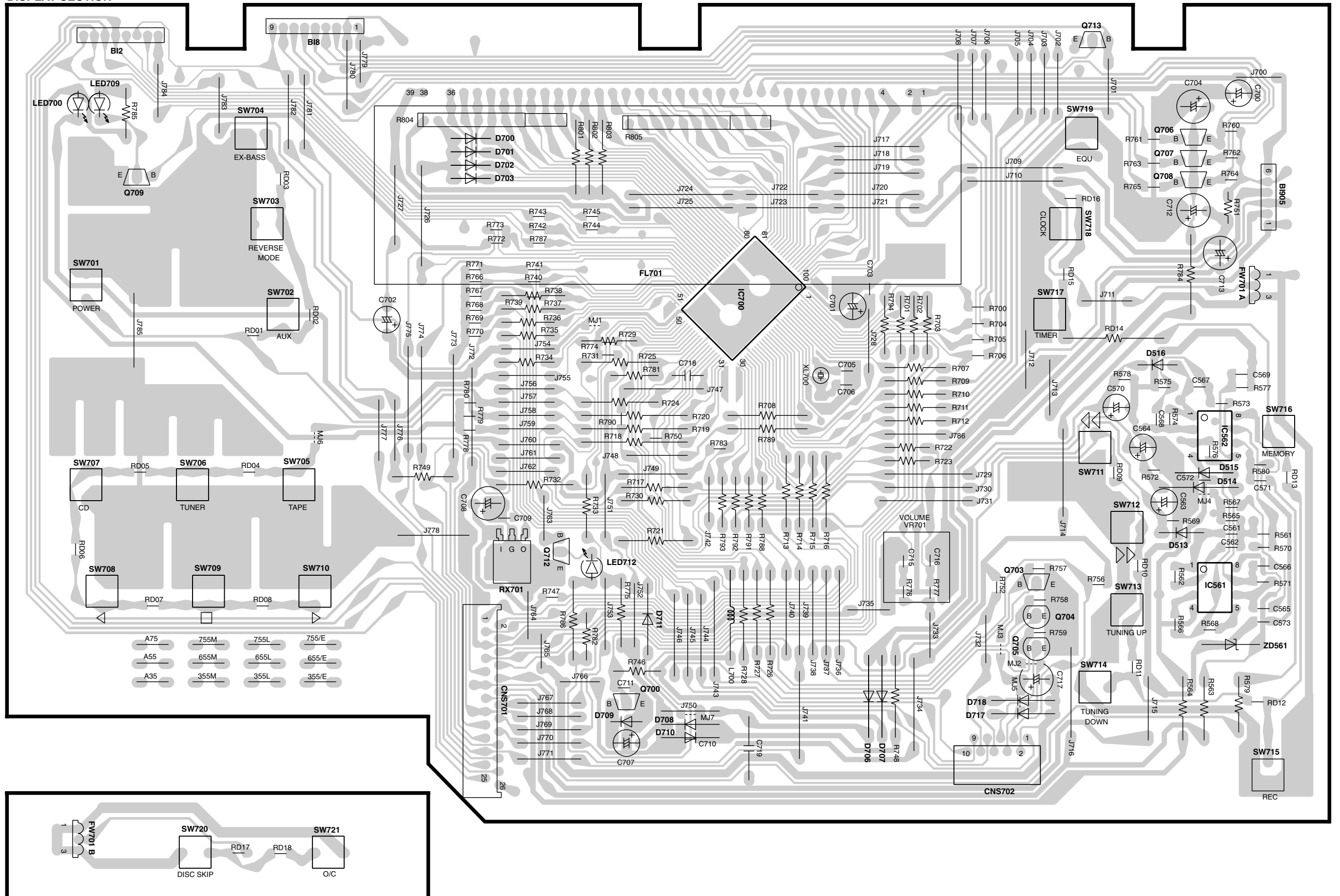


# PC BOARD (Component side view)

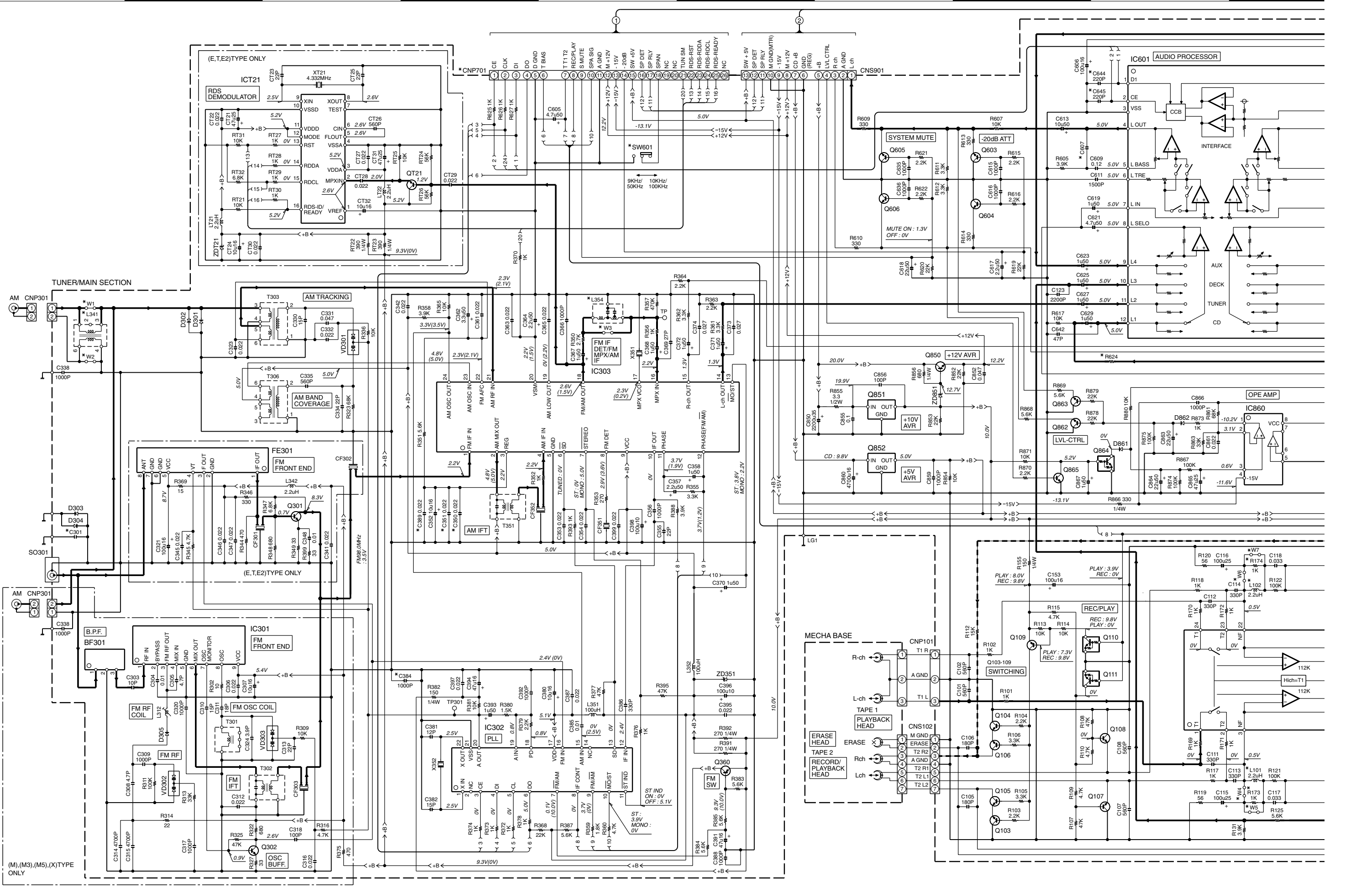


# PC BOARD (Component side view)

## DISPLAY SECTION



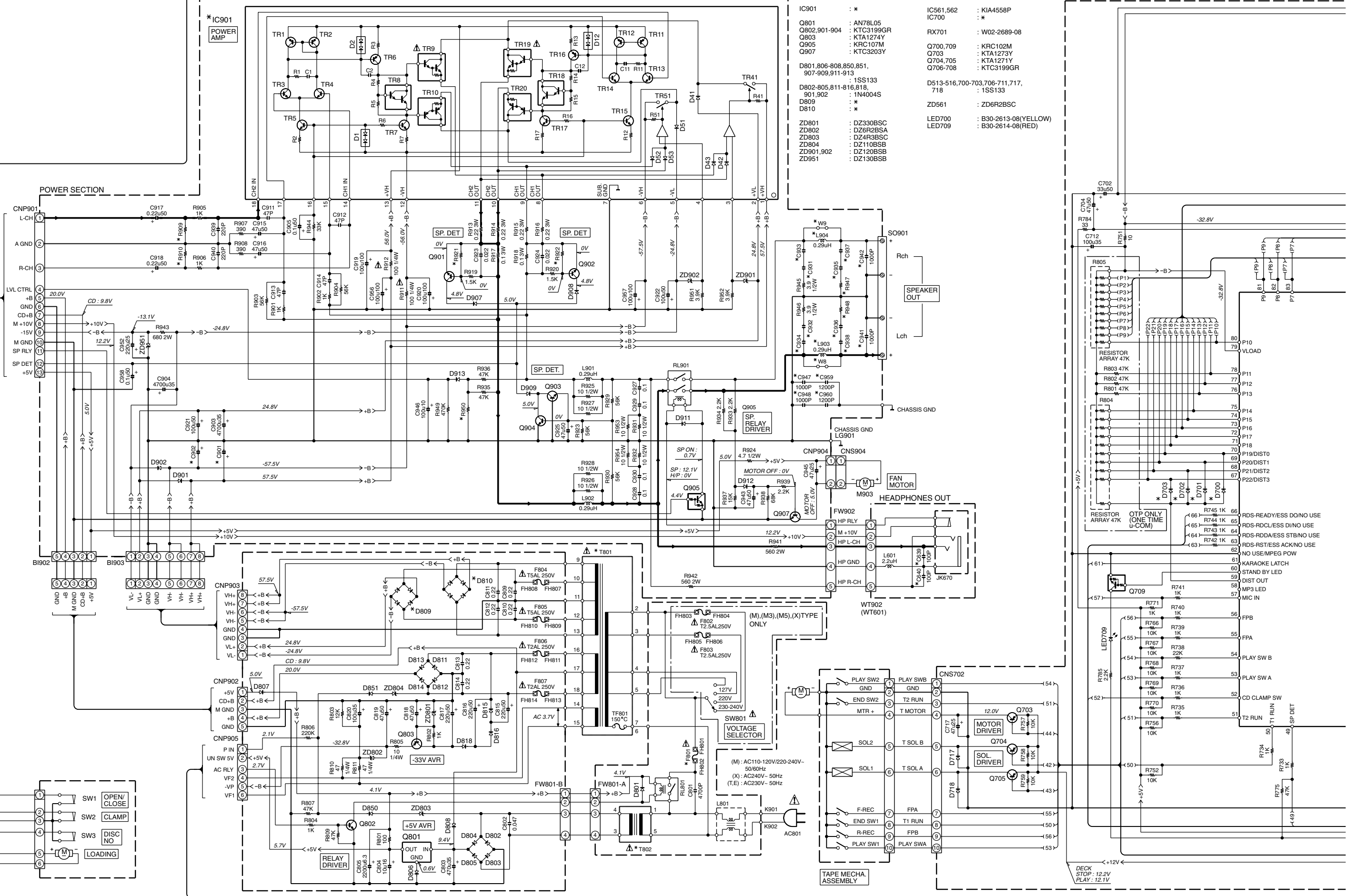
Refer to the schematic diagram for the value of resistors and capacitors.



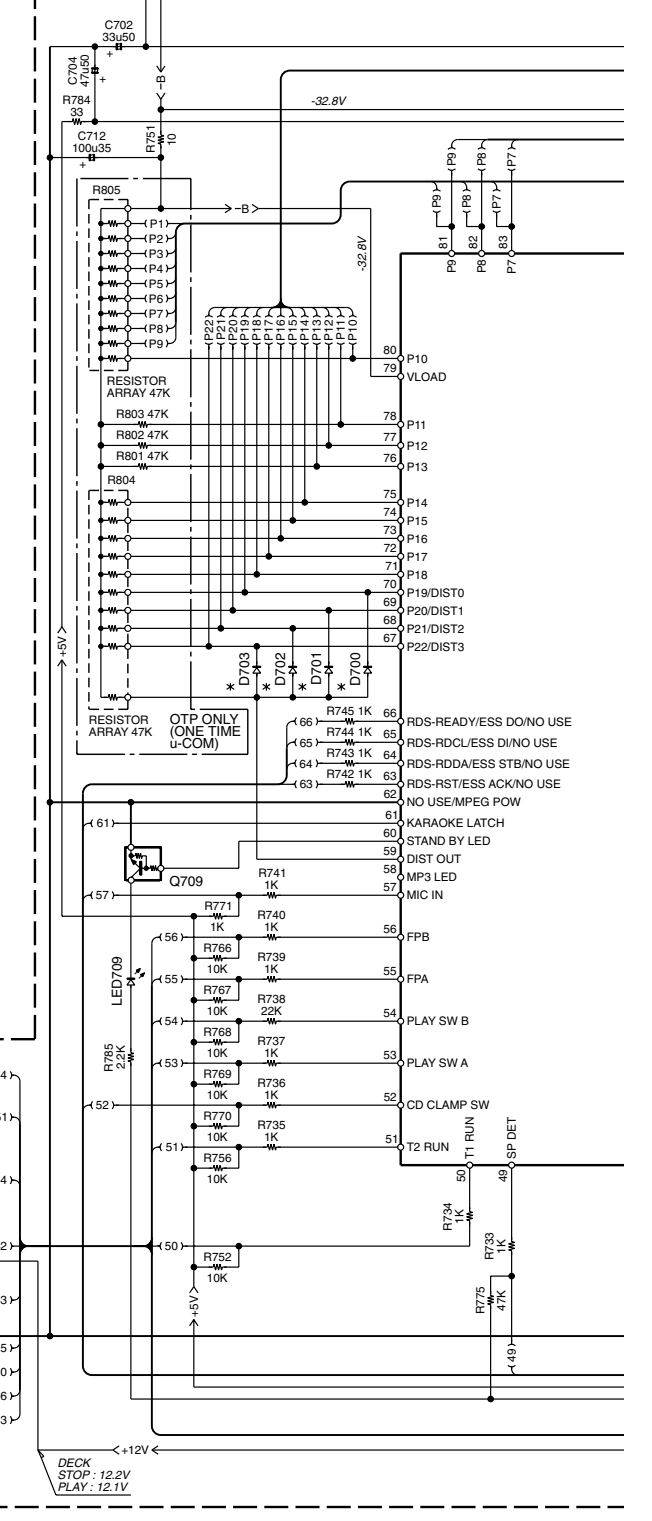
(M),(M3),(M5),(X)TYPE ONLY



DISPLAY SECTION



- |                                      |             |                                  |                       |
|--------------------------------------|-------------|----------------------------------|-----------------------|
| IC901                                | : *         | IC561,562                        | : KIA4558P            |
| Q801                                 | : AN78L05   | IC700                            | : *                   |
| Q802,901-904                         | : KTC3199GR | RX701                            | : W02-2689-08         |
| Q803                                 | : KTA1274Y  | Q700,709                         | : KRC102M             |
| Q905                                 | : KRC107M   | Q703                             | : KTA1273Y            |
| Q907                                 | : KTC3203Y  | Q704,705                         | : KTA1271Y            |
|                                      |             | Q706-708                         | : KTC3199GR           |
| D801,806-808,850,851,907-909,911-913 | : 1SS133    | D513-516,700-703,706-711,717,718 | : 1SS133              |
| D802-805,811-816,818,901,902         | : 1N4004S   | ZD561                            | : ZD6R2BSC            |
| D809                                 | : *         | LED700                           | : B30-2613-08(YELLOW) |
| D810                                 | : *         | LED709                           | : B30-2614-08(RED)    |
| ZD801                                | : DZ330BSC  |                                  |                       |
| ZD802                                | : DZ6R2BSC  |                                  |                       |
| ZD803                                | : DZ4R3BSC  |                                  |                       |
| ZD804                                | : DZ110BSB  |                                  |                       |
| ZD901,902                            | : DZ120BSB  |                                  |                       |
| ZD951                                | : DZ130BSB  |                                  |                       |



POWER SECTION

\*IC901 POWER AMP

SPEAKER OUT

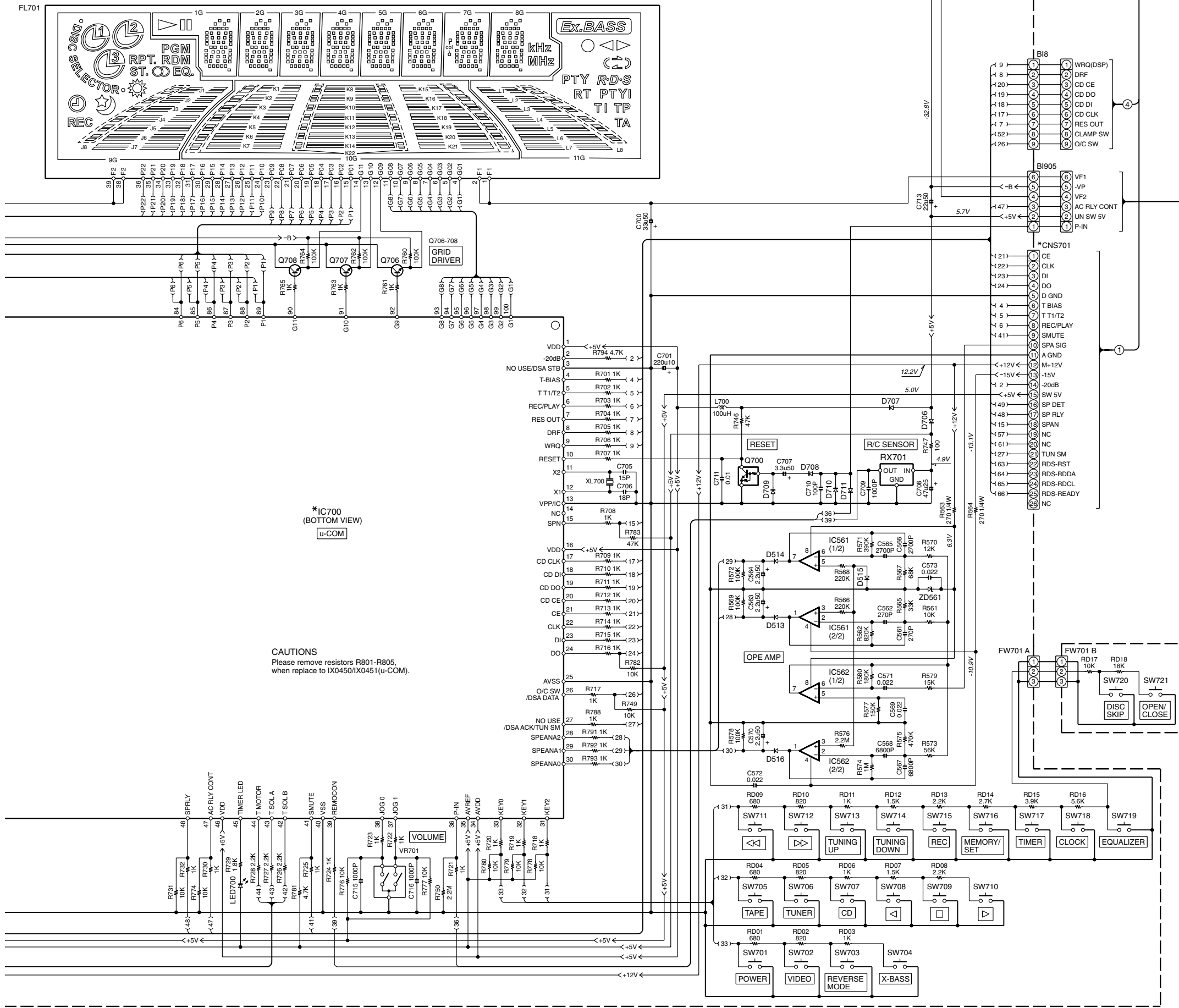
HEADPHONES OUT

MOTOR DRIVER

VOLTAGE SELECTOR

TAP MECHA. ASSEMBLY

DECK STOP: 12.2V  
PLAY: 12.1V



**CAUTIONS**  
Please remove resistors R801-R805, when replace to IX0450/IX0451(u-COM).

RXD-655		RXD-755	
DESTINATION COUNTRY	ABB. M3/M5	DESTINATION COUNTRY	ABB. M3/M5
GENERAL MARKET	1000P	GENERAL MARKET	1000P
AUSTRALIA	E2	AUSTRALIA	X
EUROPE	E2	EUROPE	E2
U.K.	T	U.K.	T

MODE	CARRIER	MODULATION		ANT INPUT
		FREQUENCY	DEVIATION	
FM	98MHz	1kHz	STEREO 67.5kHz 7.5kHz(Pilot)	60dB
AM	1000(999)kHz	400Hz	MONO 30% MOD	60dB

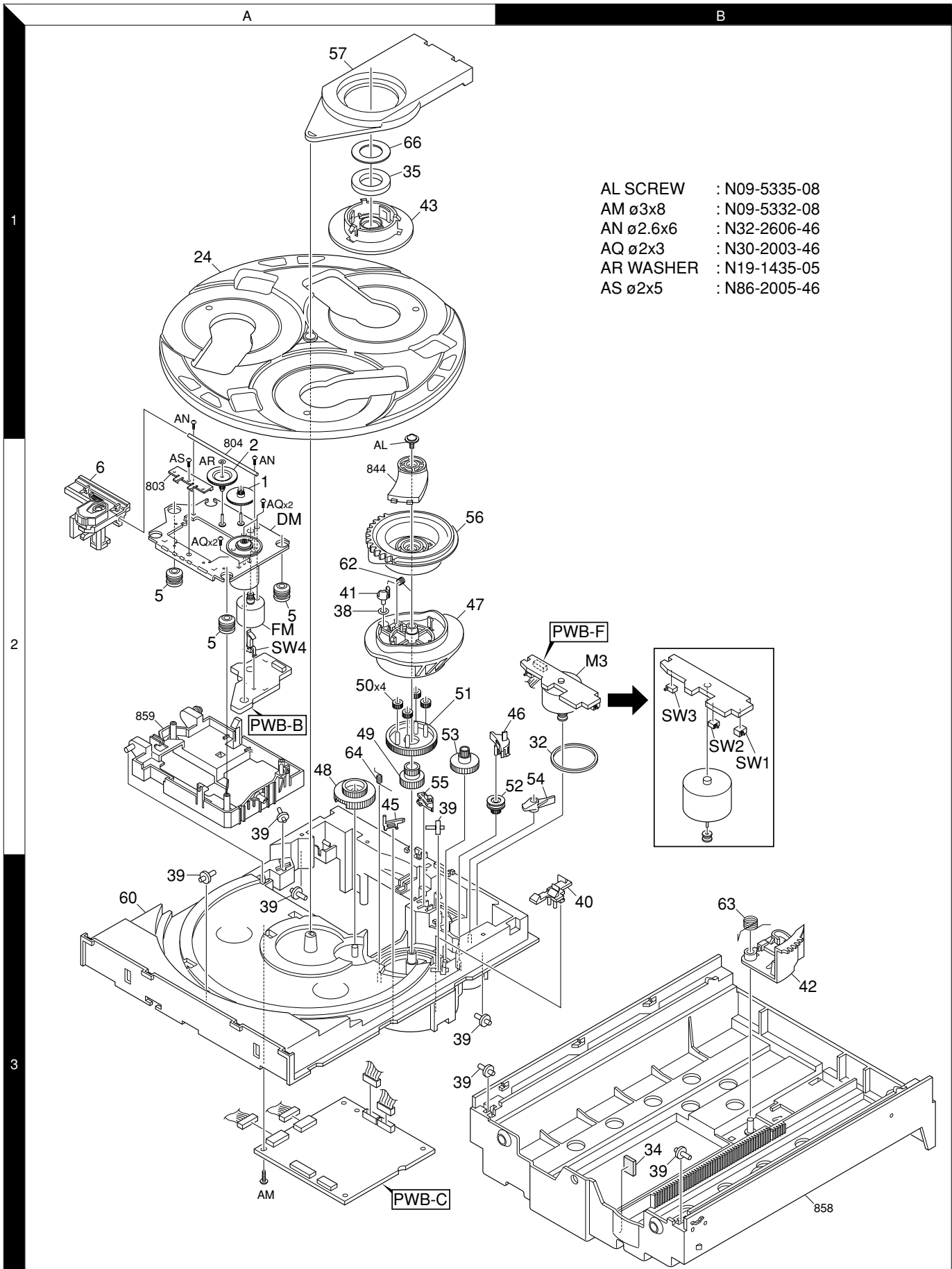
**CAUTION:** For continued safety, replace safety critical components only with manufacturer's recommended parts (refer to parts list).  $\Delta$  indicates safety critical components. For continued protection against risk of fire, replace only with same type and rating fuse(s). To reduce the risk of electric shock, leakage-current or resistance measurements shall be carried out (exposed parts are acceptably insulated from the supply circuit) before the appliance is returned to the customer.

DOLBY and the double-D symbol are trademarks of Dolby Laboratories Licensing Corporation. Noise reduction circuit made under license from Dolby Laboratories Licensing Corporation.



# RXD-655/755

## EXPLODED VIEW (CD MECHANISM)





\* New Parts

Parts without **Parts No.** are not supplied.Les articles non mentionnés dans le **Parts No.** ne sont pas fournis.Teile ohne **Parts No.** werden nicht geliefert.

①

Ref. No	Add-ress	New Parts	Parts No.	Description	Desti-nation	Re-marks
<b>RXD-655/755</b>						
601	1C	*	A02-3014-08	CABINET(TOP)	GCAB-1195AWSA	
602	1C	*	A02-3015-08	CABINET(R)	GITAS0092AWSA	
603	1C	*	A02-3016-08	CABINET(L)	GITAS0075AWSA	
607	2C	*	A21-3957-08	DRESS RING(KNOB)	HDECQ0703AWSA	
608	2C	*	A21-3958-08	CASSETTE LID(L)	GCOVA1365AWSA	
609	2C	*	A21-3959-08	CASSETTE LID(R)	GCOVA1366AWSA	
610	2C	*	A53-2251-08	CASS HOLDER(L)	GDORF0104AWSA	
611	2C	*	A53-2252-08	CASS HOLDER(R)	GDORF0105AWSA	
612	2C	*	A53-2254-08	FG(CAS L)	HDECQ0700AWSA	ETE2 1567
612	2C	*	A53-2254-08	FG(CAS L)	HDECQ0700AWSA	MXM3M5 1567
612	2C	*	A53-2280-08	FG(CAS L)	HDECQ0700AWSC	ETE2 2
612	2C	*	A53-2282-08	FG(CAS L)	HDECQ0700AWSB	EE2M 34
613	2C	*	A53-2255-08	FG(CAS R)	HDECQ0701AWSA	ETE2 1567
613	2C	*	A53-2255-08	FG(CAS R)	HDECQ0701AWSA	MXM3M5 1567
613	2C	*	A53-2281-08	FG(CAS R)	HDECQ0701AWSC	ETE2 2
613	2C	*	A53-2283-08	FG(CAS R)	HDECQ0701AWSB	EE2M 34
614	2C	*	A60-2090-08	PANEL(CD)	GCOVA1376AWSA	
615	2D	*	A60-2121-08	PANEL ASSY	CAB3577AASY2	ETE2 1
615	2D	*	A60-2122-08	PANEL ASSY	CAB3589AASY2	ETE2 2
615	2D	*	A60-2123-08	PANEL ASSY	CAB3592AASY2	EE2 3
615	2D	*	A60-2155-08	PANEL ASSY	CAB3570AASY2	ETE2 6
615	2D	*	A60-2156-08	PANEL ASSY	CAB3571AASY2	MXM3M5 7
615	2D	*	A60-2157-08	PANEL ASSY	CAB3578AASY2	MXM3M5 5
615	2D	*	A60-2158-08	PANEL ASSY	CAB3593AASY2	M 4
616	1C	*	A70-1531-08	REMOTE CONTROL	RRMCG0273AWSA	MXM3M5
616	1C	*	A70-1537-08	REMOTE CONTROL	RRMCG0274AWSA	ETE2
620	2C	*	B10-3774-08	FRONT GLASS	HDECQ0743AWSA	ETE2 1
620	2C	*	B10-3775-08	FRONT GLASS	HDECQ0743AWSB	EE2 3
620	2C	*	B10-3776-08	FRONT GLASS	HDECQ0743AWSC	ETE2 2
620	2C	*	B10-3777-08	FRONT GLASS	HDECQ0762AWSA	ETE2 6
620	2C	*	B10-3777-08	FRONT GLASS	HDECQ0762AWSA	MXM3M5 7
620	2C	*	B10-3778-08	FRONT GLASS	HDECQ0763AWSA	MXM3M5 5
620	2C	*	B10-3779-08	FRONT GLASS	HDECQ0763AWSB	M 4
-	-	*	B60-5009-00	INST MANUAL (FR/ES/GE/NE/IT)		E
-	-	*	B60-5010-00	INST MANUAL (EN)		TE2
-	-	*	B60-5011-00	INST MANUAL (RU/PL/CZ/HU)		E2
-	-	*	B60-5012-00	INST MANUAL (FR/GE/NE/IT)		E
-	-	*	B60-5013-00	INST MANUAL (ES)		EM3M5
-	-	*	B60-5014-00	INST MANUAL (EN)		MXM3M5
-	-	*	B60-5014-00	INST MANUAL (EN)		TE2
-	-	*	B60-5015-00	INST MANUAL (RU/PL/CZ/HU)		E2
-	-	*	B60-5047-00	INST MANUAL (TC/AR)		M
624	2C,2E	*	D39-0355-08	DAMPER	MLIFP0008AWZZ	
BM	2D	*	D16-0780-08	MAIN BELT	FF19N-11	
BS1	2D	*	D16-0782-08	SUB BELT	FF19S-51	
BS2	2D	*	D16-0781-08	SUB BELT	FF19S-12	
PF	2D	*	D14-0821-08	PINCH ASSY	F514-134	
PR1	2D	*	D14-0822-08	PINCH ASSY	F514-135	
PR2	2D	*	D14-0820-08	PINCH ASSY	F514-133	
RPEH	2D	*	T39-0046-08	ROTATION HEAD	F513-853	
627	1C		E03-0115-05	AC PLUG ADAPTER		MXM3M5

L : Scandinavia K : USA P : Canada R : Mexico C : China I : Malaysia  
 Y : PX(Far East,Hawaii) T : England E : Europe G : Germany V : China(Shanghai)  
 Y : AAFES(Europe) X : Australia Q : Russia H : Korea M : Other Areas  $\Delta$  indicates safety critical components.

\* New Parts

Parts without **Parts No.** are not supplied.Les articles non mentionnés dans le **Parts No.** ne sont pas fournis.Teile ohne **Parts No.** werden nicht geliefert.

②

Ref. No	Add-ress	New Parts	Parts No.	Description	Desti-nation	Re-marks
628	2E	*	E30-2915-08	AC POWER CORD	QACCB0009AW00	T
628	2E	*	E30-7227-08	AC POWER CORD	QACCE0010AW00	EE2M
628	2E	*	E30-7227-08	AC POWER CORD	QACCE0010AW00	M3M4
628	2E	*	E30-7239-08	AC POWER CORD	QACCL0005AW00	X
629	2D	*	E35-2991-08	FFC WIRE10P	QCWN1913AWZZ	
630	1E,2D	*	E35-3070-08	FFC WIRE26P	QCWN1915AWZZ	
635	1E	*	F09-0163-08	FAN	NFANP0001AWZZ	
-	-	*	F29-0132-08	TUBE(FW801)	UT05R9TP10000	
639	2D	*	G01-4280-08	SPRING	MSPRD0109AWFJ	
640	2E	*	G01-4281-08	SPRING	MSPRD0110AWFJ	
641	2C	*	G01-4284-08	SPRING	MSPRD0092AWFJ	
642	2C	*	G01-4285-08	SPRING	MSPRD0093AWFJ	
643	2C,2D	*	G13-2514-08	CUSHION(FOOT)	PCUSG0022AWZZ	
-	-	*	H10-7771-08	POLY FOAM FIXTU	SPAKA0307AWZZ	
-	-	*	H25-1706-08	BAG(UNIT)	SSAKH0061AWZZ	
-	-	*	H25-1707-08	BAG CAUTION	CAUT1513A	
-	-	*	H25-1708-08	BAG(ACCES)	SSAKA0007AWZZ	
-	-	*	H50-4231-08	ITEM CARTON	SPAKC1209AWZZ	ET 1
-	-	*	H50-4232-08	ITEM CARTON	SPAKC1210AWZZ	E2 1
-	-	*	H50-4234-08	ITEM CARTON	SPAKC1213AWZZ	ET 2
-	-	*	H50-4235-08	ITEM CARTON	SPAKC1214AWZZ	E 2
-	-	*	H50-4236-08	ITEM CARTON	SPAKC1216AWZZ	E 3
-	-	*	H50-4237-08	ITEM CARTON	SPAKC1217AWZZ	E 3
-	-	*	H50-4277-08	ITEM CARTON	SPAKC1211AWZZ	M 5
-	-	*	H50-4278-08	ITEM CARTON	SPAKC1212AWZZ	M3M5 5
-	-	*	H50-4279-08	ITEM CARTON	SPAKC1218AWZZ	M 4
-	-	*	H50-4280-08	ITEM CARTON	SPAKC1219AWZZ	E 6
-	-	*	H50-4281-08	ITEM CARTON	SPAKC1220AWZZ	E2 6
-	-	*	H50-4282-08	ITEM CARTON	SPAKC1221AWZZ	M 7
-	-	*	H50-4283-08	ITEM CARTON	SPAKC1222AWZZ	M3M5 7
-	-	*	H50-4284-08	ITEM CARTON	SPAKC1232AWZZ	X 5
-	-	*	H50-4285-08	ITEM CARTON	SPAKC1233AWZZ	X 7
-	-	*	H50-4287-08	ITEM CARTON	SPAKC1281AWZZ	T 6
649	2E	*	J19-6232-08	HOLDER	LX-LZ0012AWZZ	
654	1E	*	J19-6236-08	UNIT HOLDER	LHLD1019AWSA	
655	2E	*	J42-0338-08	POWER CORD BUSH	LBSHC0002AWZZ	
656	1E	*	J69-0223-08	RING(FAN)	CSPR1431C	
660	2C	*	K27-2470-08	KNOB (VOLUME)	JKNBZ0794AWSA	
A		*	N09-5330-08	MACHINE SCREW	XEBSD30P12000	
B		*	N09-5331-08	MACHINE SCREW	XJBSD30P10000	
C		*	N09-5334-08	MACHINE SCREW	LX-BZ2222AXZZ	
D		*	N09-5335-08	MACHINE SCREW	LX-HZ0009AWFD	
E		*	N09-5338-08	MACHINE SCREW	XESSD30P10000	
F		*	N09-5343-08	MACHINE SCREW	XBPSD20P08000	
G		*	N09-5346-08	MACHINE SCREW	XBBSD20P04000	
H		*	N09-5347-08	MACHINE SCREW	XJBSD30P14000	
J		*	N09-5348-08	MACHINE SCREW	XHBSD40P08000	
K		*	N09-5349-08	MACHINE SCREW	XEBSD30P08000	
L		*	N09-5222-08	MACHINE SCREW	LX-JZ0010AFFD	
M		*	N09-5337-08	MACHINE SCREW	XJSSD30P10000	
P		*	N09-5336-08	MACHINE SCREW	XHBSD26P04000	
674	1E	*	T41-0142-08	MOTOR(FAN)	RMOTV0027AWZZ	

L : Scandinavia K : USA P : Canada R : Mexico C : China I : Malaysia  
 Y : PX(Far East,Hawaii) T : England E : Europe G : Germany V : China(Shanghai)  
 Y : AAFES(Europe) X : Australia Q : Russia H : Korea M : Other Areas  $\Delta$  indicates safety critical components.

\* New Parts

Parts without **Parts No.** are not supplied.

Les articles non mentionnés dans le **Parts No.** ne sont pas fournis.

Teile ohne **Parts No.** werden nicht geliefert.

3

Ref. No	Add-ress	New Parts	Parts No.	Description	Desti-nation	Re-marks
675	2C	*	T90-0879-08	LOOP ANTENNA QANTL0008AWZZ		
676	2C	*	T90-0883-08	FM LEAD ANTENNA FANT1535A		
681	2D	*	W04-0019-08	MECHANISM(CAS) KMECB0020AWZZ		
<b>ELECTRICAL PARTS</b>						
FL701		*	NA11MM36	FL TUBE VVKNA11MM36-1		
LED700		*	B30-2613-08	LED(YELLOW) VHP3105UYT1-1T		
LED709		*	B30-2614-08	LED(RED) VHP31URT21+-1+		
C1			CE04KW1E470M	ELECTRO 47UF	25WV	
C2			CK73FB1E103K	CHIP C 0.010UF	K	
C3			CE04KW1E470M	ELECTRO 47UF	25WV	
C4			CK73EB1H102K	CHIP C 1000PF	K	
C5			CQ93FMG1H473J	MYLAR 0.047UF	J	
C6			CK45FB1C104K	CERAMIC 0.10UF	K	
C7			CC73ECH1H101J	CHIP C 100PF	J	
C8			CK73EB1H472K	CHIP C 4700PF	K	
C9			CE04KW1A101M	ELECTRO 100UF	10WV	
C10			CE04KW1H100M	ELECTRO 10UF	50WV	
C11			CE04KW1HR22M	ELECTRO 0.22UF	50WV	
C12			CC45FSL1H101J	CERAMIC 100PF	J	
C13			CK73EB1E223K	CHIP C 0.022UF	K	
C14			CE04KW1A101M	ELECTRO 100UF	10WV	
C16			CE04KW0J331M	ELECTRO 330UF	6.3WV	
C18			CE04KW1A101M	ELECTRO 100UF	10WV	
C23, 24			CE04KW1H100M	ELECTRO 10UF	50WV	
C25, 26			CK73EB1H152K	CHIP C 1500PF	K	
C27			CK73EB1E223K	CHIP C 0.022UF	K	
C28			CC73ECH1H101J	CHIP C 100PF	J	
C30			CC73ECH1H101J	CHIP C 100PF	J	
C32 -34			CC73ECH1H101J	CHIP C 100PF	J	
C35			CQ93FMG1H473J	MYLAR 0.047UF	J	
C36			CE04KW1H2R2M	ELECTRO 2.2UF	50WV	
C37			CK45FB1C104K	CERAMIC 0.10UF	K	
C38			CK73FB1E103K	CHIP C 0.010UF	K	
C39			CE04KW1A101M	ELECTRO 100UF	10WV	
C40			CE04KW0J221M	ELECTRO 220UF	6.3WV	
C41			CE04KW1A101M	ELECTRO 100UF	10WV	
C42			CK73FB1E103K	CHIP C 0.010UF	K	
C44			CK73EB1H102K	CHIP C 1000PF	K	
C48			CK45FF1H223Z	CERAMIC 0.022UF	Z	
C49			CE04KW1E470M	ELECTRO 47UF	25WV	
C50			CC45FSL1H220J	CERAMIC 22PF	J	
C51			CK73EB1E223K	CHIP C 0.022UF	K	
C101,102			CC73FCH1H561J	CHIP C 560PF	J	
C105,106			CC73FCH1H181J	CHIP C 180PF	J	
C107,108			CC73FCH1H561J	CHIP C 560PF	J	
C111-114			CC73FCH1H331J	CHIP C 330PF	J	
C115,116			CE04KW1E101M	ELECTRO 100UF	25WV	
C117,118			CK73EB1E333K	CHIP C 0.033UF	K	
C119,120			CC73FCH1H561J	CHIP C 560PF	J	
C121,122			CE04KW1H010M	ELECTRO 1.0UF	50WV	
C123,124			CK45FB1H222K	CERAMIC 2200PF	K	
C127			CK73EB1E223K	CHIP C 0.022UF	K	
C128			CE04KW1H3R3M	ELECTRO 3.3UF	50WV	

L : Scandinavia K : USA P : Canada R : Mexico C : China I : Malaysia  
 Y : PX(Far East,Hawaii) T : England E : Europe G : Germany V : China(Shanghai)  
 Y : AAFES(Europe) X : Australia Q : Russia H : Korea M : Other Areas Δ indicates safety critical components .

\* New Parts

Parts without **Parts No.** are not supplied.

Les articles non mentionnés dans le **Parts No.** ne sont pas fournis.

Teile ohne **Parts No.** werden nicht geliefert.

4

Ref. No	Add-ress	New Parts	Parts No.	Description	Desti-nation	Re-marks
C131,132			CC73ECH1H271J	CHIP C 270PF	J	
C133,134			CE04KW1E220M	ELECTRO 22UF	25WV	
C135,136			CK45FB1H223Z	CERAMIC 0.022UF	Z	
C139,140			CK73EB1H332K	CHIP C 3300PF	K	
C141,142			CE04KW1E470M	ELECTRO 47UF	25WV	
C145			CE04KW1H220M	ELECTRO 22UF	50WV	
C146			CE04KW1A221M	ELECTRO 220UF	10WV	
C150		*	C92-0248-08	MYLAR 8200PF	J	
C151			CQ93FMG1H393J	MYLAR 0.039UF	J	
C152			CE04KW1E470M	ELECTRO 47UF	25WV	
C153			CE04KW1C101M	ELECTRO 100UF	16WV	
C154			CK45FB1H473Z	CERAMIC 0.047UF	Z	
C301			CK73EB1H102K	CHIP C 1000PF	K	MXM3M5
C301			CK73EB1H103K	CHIP C 0.010UF	K	ETE2
C303			CC73ECH1H100D	CHIP C 10PF	D	MXM3M5
C304			CK73FB1E103K	CHIP C 0.010UF	K	MXM3M5
C305		*	C91-1641-08	CHIP C 4.7PF	J	MXM3M5
C306			CK73EB1E223K	CHIP C 0.022UF	K	MXM3M5
C307			CE04KW1C100M	ELECTRO 10UF	16WV	MXM3M5
C308		*	C91-1641-08	CHIP C 4.7PF	J	MXM3M5
C309			CK73EB1H102K	CHIP C 1000PF	K	MXM3M5
C310			CC73ECH1H150J	CHIP C 15PF	J	MXM3M5
C311			CC73ECH1H180J	CHIP C 18PF	J	MXM3M5
C312			CK73EB1E223K	CHIP C 0.022UF	K	MXM3M5
C313			CC73ECH1H220J	CHIP C 22PF	J	MXM3M5
C314,315			CK73EB1H472K	CHIP C 4700PF	K	MXM3M5
C316			CK73EB1E223K	CHIP C 0.022UF	K	MXM3M5
C317			CK73EB1H102K	CHIP C 1000PF	K	MXM3M5
C318			CC73ECH1H101J	CHIP C 100PF	J	MXM3M5
C320			CK73FB1H102K	CHIP C 1000PF	K	MXM3M5
C321			CE04KW1C101M	ELECTRO 100UF	16WV	ETE2
C323			CK73EB1E223K	CHIP C 0.022UF	K	
C324		*	C91-1642-08	CHIP C 3.9PF	J	MXM3M5
C330			CC73ECH1H150J	CHIP C 15PF	J	
C331			CK45FB1H473Z	CERAMIC 0.047UF	Z	
C332			CK73EB1E223K	CHIP C 0.022UF	K	
C334			CC73ECH1H220J	CHIP C 22PF	J	
C335			CC73FCH1H561J	CHIP C 560PF	J	
C338			CK73EB1H102K	CHIP C 1000PF	K	
C341			CK73EB1E223K	CHIP C 0.022UF	K	ETE2
C342			CK73EB1E223K	CHIP C 0.022UF	K	
C345-347			CK73EB1E223K	CHIP C 0.022UF	K	ETE2
C348			CK73FB1E103K	CHIP C 0.010UF	K	ETE2
C350,351			CK73EB1E223K	CHIP C 0.022UF	K	MXM3M5
C352			CE04KW1C100M	ELECTRO 10UF	16WV	
C353,354			CK73EB1E223K	CHIP C 0.022UF	K	
C355			CC73ECH1H220J	CHIP C 22PF	J	
C356			CK73EB1H102K	CHIP C 1000PF	K	
C357			CE04KW1H2R2M	ELECTRO 2.2UF	50WV	
C358			CE04KW1H010M	ELECTRO 1.0UF	50WV	
C361			CK73EB1E223K	CHIP C 0.022UF	K	
C362			CE04KW1H3R3M	ELECTRO 3.3UF	50WV	
C363			CK73EB1E223K	CHIP C 0.022UF	K	
C364			CE04KW1H2R2M	ELECTRO 2.2UF	50WV	
C365			CK45FB1H223K	CERAMIC 0.022UF	K	

L : Scandinavia K : USA P : Canada R : Mexico C : China I : Malaysia  
 Y : PX(Far East,Hawaii) T : England E : Europe G : Germany V : China(Shanghai)  
 Y : AAFES(Europe) X : Australia Q : Russia H : Korea M : Other Areas Δ indicates safety critical components .

PARTS LIST

RXD-655/755

\* New Parts

Parts without **Parts No.** are not supplied.Les articles non mentionnés dans le **Parts No.** ne sont pas fournis.Teile ohne **Parts No.** werden nicht geliefert.

5

Ref. No	Add-ress	New Parts	Parts No.	Description	Desti-nation	Re-marks
C366			CK73EB1H102K	CHIP C	1000PF	K
C367,368			CE04KW1H010M	ELECTRO	1.0UF	50WV
C369			CC73ECH1H270J	CHIP C	27PF	J
C370-372			CE04KW1H010M	ELECTRO	1.0UF	50WV
C373,374			CK45FB1H273K	CERAMIC	0.027UF	K
C380			CE04KW1C100M	ELECTRO	10UF	16WV
C381			CC73ECH1H120J	CHIP C	12PF	J
C382			CC73ECH1H150J	CHIP C	15PF	J
C384			CK73EB1H102K	CHIP C	1000PF	K
C385			CK73FB1E103K	CHIP C	0.010UF	K
C386			CC73FCH1H331J	CHIP C	330PF	J
C387			CK73EB1E223K	CHIP C	0.022UF	K
C388			CK73EB1H102K	CHIP C	1000PF	K
C389			CK45FB1H223K	CERAMIC	0.022UF	K
C391			CE04KW1C470M	ELECTRO	47UF	16WV
C392			CK73EB1H102K	CHIP C	1000PF	K
C393			CE04KW1H010M	ELECTRO	1.0UF	50WV
C394			CE04KW1C470M	ELECTRO	47UF	16WV
C395			CK73EB1E223K	CHIP C	0.022UF	K
C396			CE04KW1A101M	ELECTRO	100UF	10WV
C397			CK73EB1E223K	CHIP C	0.022UF	K
C398			CE04KW1A101M	ELECTRO	100UF	10WV
C399			CK73EB1E223K	CHIP C	0.022UF	K
C561,562			CC73ECH1H271J	CHIP C	270PF	J
C563,564			CE04KW1H2R2M	ELECTRO	2.2UF	50WV
C565,566			CK73EB1H272K	CHIP C	2700PF	K
C567,568			CK73EB1H682K	CHIP C	6800PF	K
C569			CK73EB1E223K	CHIP C	0.022UF	K
C570			CE04KW1H2R2M	ELECTRO	2.2UF	50WV
C571-573			CK73EB1E223K	CHIP C	0.022UF	K
C602			CE04KW1H220M	ELECTRO	22UF	50WV
C605			CE04KW1H4R7M	ELECTRO	4.7UF	50WV
C606			CE04KW1C101M	ELECTRO	100UF	16WV
C607,608			CF92FV1H124J	MF-C	0.12UF	J
C607,608			CQ93FMG1H104J	MYLAR	0.10UF	J
C609,610			CF92FV1H124J	MF-C	0.12UF	J
C611,612			CK73FB1E152K	CHIP C	1500PF	K
C613,614			CE04KW1H100M	ELECTRO	10UF	50WV
C615,616			CK73EB1H102K	CHIP C	1000PF	K
C617			CE04KW1H2R2M	ELECTRO	2.2UF	50WV
C618			CE04KW1H220M	ELECTRO	22UF	50WV
C619,620			CE04KW1H010M	ELECTRO	1.0UF	50WV
C621,622			CE04KW1H4R7M	ELECTRO	4.7UF	50WV
C623-630			CE04KW1H010M	ELECTRO	1.0UF	50WV
C631,632			CC73FCH1H391J	CHIP C	390PF	J
C635,636			CK73EB1H102K	CHIP C	1000PF	K
C639,640			CC73FCH1H101J	CHIP C	100PF	J
C641,642			CC45FSL1H470J	CERAMIC	47PF	J
C643-645			CC73FCH1H221J	CHIP C	220PF	J
C700			CE04KW1H330M	ELECTRO	33UF	50WV
C701			CE04KW1A221M	ELECTRO	220UF	10WV
C702			CE04KW1H330M	ELECTRO	33UF	50WV
C704			CE04KW1H470M	ELECTRO	47UF	50WV
C705			CC73ECH1H150J	CHIP C	15PF	J
C706			CC73ECH1H180J	CHIP C	18PF	J

L : Scandinavia K : USA P : Canada R : Mexico C : China I : Malaysia  
 Y : PX(Far East,Hawaii) T : England E : Europe G : Germany V : China(Shanghai)  
 Y : AAFES(Europe) X : Australia Q : Russia H : Korea M : Other Areas  $\Delta$  indicates safety critical components .

\* New Parts

Parts without **Parts No.** are not supplied.Les articles non mentionnés dans le **Parts No.** ne sont pas fournis.Teile ohne **Parts No.** werden nicht geliefert.

6

Ref. No	Add-ress	New Parts	Parts No.	Description	Desti-nation	Re-marks
C707			CE04KW1H3R3M	ELECTRO	3.3UF	50WV
C708			CE04KW1E470M	ELECTRO	47UF	25WV
C709			CK73EB1H102K	CHIP C	1000PF	K
C710			CC73ECH1H101J	CHIP C	100PF	J
C711			CK73FB1E103K	CHIP C	0.010UF	K
C712			CE04KW1V101M	ELECTRO	100UF	35WV
C713			CE04KW1H220M	ELECTRO	22UF	50WV
C715,716			CK73EB1H102K	CHIP C	1000PF	K
C717			CE04KW1E470M	ELECTRO	47UF	25WV
C801		*	C91-1639-08	CERAMIC	4700PF	250V
C802			CQ93FMG1H473J	MYLAR	0.047UF	J
C803			CE04KW1V471M	ELECTRO	470UF	35WV
C804			CE04KW1C100M	ELECTRO	10UF	16WV
C805			CE04KW0J222M	ELECTRO	2200UF	6.3WV
C809,810			CF92FV1H224J	MF-C	0.22UF	J
C811,812		*	C92-0249-08	MYLAR	0.22UF	J
C813,814			CF92FV1H224J	MF-C	0.22UF	J
C815-817			CE04KW1H221M	ELECTRO	220UF	50WV
C818,819			CE04KW1H470M	ELECTRO	47UF	50WV
C820			CE04KW1V101M	ELECTRO	100UF	35WV
C850			CE04KW1V222M	ELECTRO	2200UF	35WV
C852			CQ93FMG1H473J	MYLAR	0.047UF	J
C855			CQ93FMG1H104J	MYLAR	0.10UF	J
C856			CK45FB1H101K	CERAMIC	100PF	K
C859			CQ93FMG1H102J	MYLAR	1000PF	J
C860			CE04KW1C472M	ELECTRO	4700UF	16WV
C861			CK73EB1E223K	CHIP C	0.022UF	K
C863,864			CE04KW1H220M	ELECTRO	22UF	50WV
C865			CE04KW1E470M	ELECTRO	47UF	25WV
C866			CK73EB1H102K	CHIP C	1000PF	K
C867			CE04KW1H010M	ELECTRO	1.0UF	50WV
C901,902		*	C90-5727-08	ELECTRO	3300UF	63WV
C901,902		*	C91-1640-08	ELECTRO	3300UF	71WV
C903,904		*	C90-5728-08	ELECTRO	4700UF	35WV
C905			CE04KW1H0R1M	ELECTRO	0.1UF	50WV
C911-914			CC45FSL1H470J	CERAMIC	47PF	J
C915,916			CE04KW1H470M	ELECTRO	47UF	50WV
C917,918			CE04KW1HR22M	ELECTRO	0.22UF	50WV
C919,920			CE04KW2A101M	ELECTRO	100UF	100WV
C921,922			CE04KW1H101M	ELECTRO	100UF	50WV
C923,924			CQ93FMG1H223J	MYLAR	0.022UF	J
C925			CE04KW1H470M	ELECTRO	47UF	50WV
C927-930			CQ93FMG1H104K	MYLAR	0.10UF	K
C931-934			CF92FV1H104J	MF-C	0.10UF	J
C935-938			CQ93FMG1H223J	MYLAR	0.022UF	J
C939,940			CC45FSL1H221J	CERAMIC	220PF	J
C941,942			CK45FB1H102K	CERAMIC	1000PF	K
C943			CE04KW1H470M	ELECTRO	47UF	50WV
C945			CE04KW1E470M	ELECTRO	47UF	25WV
C946			CE04KW1A101M	ELECTRO	100UF	10WV
C947,948			CK45FB1H102K	CERAMIC	1000PF	K
C952			CE04KW1E221M	ELECTRO	220UF	25WV
C956,957			CE04KW2A101M	ELECTRO	100UF	100WV
C958			CE04KW1H0R1M	ELECTRO	0.1UF	50WV
C959,960			CK45FB1H122K	CERAMIC	1200PF	K

L : Scandinavia K : USA P : Canada R : Mexico C : China I : Malaysia  
 Y : PX(Far East,Hawaii) T : England E : Europe G : Germany V : China(Shanghai)  
 Y : AAFES(Europe) X : Australia Q : Russia H : Korea M : Other Areas  $\Delta$  indicates safety critical components .

12345  
67

\* New Parts

Parts without **Parts No.** are not supplied.

Les articles non mentionnés dans le **Parts No.** ne sont pas fournis.

Teile ohne **Parts No.** werden nicht geliefert.

7

Ref. No	Add-ress	New Parts	Parts No.	Description	Desti-nation	Re-marks
CT1,2			CK45FB1C102K	CERAMIC 1000PF	K	
CT21			CE04KW1E470M	ELECTRO 47UF	25WV	ETE2
CT22			CK45FB1H223K	CERAMIC 0.022UF	K	ETE2
CT23			CC45FSL1H220J	CERAMIC 22PF	J	ETE2
CT24			CE04KW1C100M	ELECTRO 10UF	16WV	ETE2
CT25			CC45FSL1H220J	CERAMIC 22PF	J	ETE2
CT26			CC73FCH1H561J	CHIP C 560PF	J	ETE2
CT27			CK73EB1E223K	CHIP C 0.022UF	K	ETE2
CT28-30			CK45FB1H223K	CERAMIC 0.022UF	K	ETE2
CT31			CE04KW1E470M	ELECTRO 47UF	25WV	ETE2
CT32			CE04KW1C100M	ELECTRO 10UF	16WV	ETE2
VD301		*	C02-0303-08	VARICAP(AM)	VHCSVC348S/-1T	
VD302,303		*	C02-0302-08	VARICAP(FM)	VHCSVC211C/-1T	MXM3M5
B18		*	E40-8932-08	FLAT CABLE CON	QCNCWN1923AWZZ	
B111		*	E35-3002-08	WIRE HARNESS	QCNCWN1924AWZZ	
B1902		*	E35-2993-08	WIRE HARNESS	QCNCWN1916AWZZ	
B1903		*	E35-2994-08	WIRE HARNESS(8P)	QCNCWN1917AWZZ	
B1905		*	E35-2997-08	WIRE HARNESS	QCNCWN1919AWZZ	
CNP1		*	E40-8920-08	PIN ASSY	QCNCM704GAWZZ	
CNS1A/B		*	E40-8917-08	WIRE HARNESS(7)	QCNCWN1537AWZZ	
CNP2		*	E40-8921-08	PIN ASSY	QCNCM704HAWZZ	
CNS2A/B		*	E40-8915-08	WIRE HARNESS(6)	QCNCWN1539AWZZ	
CNP3		*	E40-8381-08	PIN ASSY	CONE6P53253	
CNP3A		*	E40-8918-08	PIN ASSY	CONE6P53254	
CNS3A/B		*	E40-8914-08	WIRE HARNESS(8)	QCNCWN1538AWZZ	
CNP4		*	E40-8922-08	PIN ASSY	QCNCM705FAFZZ	
CNS4		*	E40-8916-08	WIRE HARNESS(6)	QCNCWN1572AWZZ	
CNP7		*	E40-8918-08	PIN ASSY	CONE6P53254	
CNP8		*	E40-8919-08	PIN ASSY	CONE9P53254	
CNP101		*	E40-8264-08	PIN ASSY	QCNCM705CAFZZ	
CNS102		*	E35-3001-08	WIRE HARNESS	QCNCWN1624AWZZ	
CNP301		*	E40-8933-08	PIN ASSY(AM)	CONE2P5268	
CNP701		*	E41-0713-08	PIN ASSY	QCNCWZG26AWZZ	ETE2
CNP701		*	E35-3000-08	PIN ASSY	QCNCWZX20AWZZ	MXM3M5
CNS701		*	E41-0714-08	PIN ASSY(FFC)	QCNCWZF26AWZZ	ETE2
CNS701		*	E40-8930-08	PIN ASSY(FFC)	QCNCWZY20AWZZ	MXM3M5
CNS702		*	E40-8929-08	PIN ASSY(FFC)	QCNCWZY10AWZZ	
CNP901		*	E40-8926-08	PIN ASSY	QCNCM010NAWZZ	
CNP902		*	E40-8924-08	PIN ASSY	CONE5P5267X	
CNP903		*	E40-8935-08	PIN ASSY	CONE8P5267	
CNP904		*	E40-8923-08	PIN ASSY	CONE2P53253	
CNP905		*	E40-8381-08	PIN ASSY	CONE6P53253	
CNS901		*	E35-2999-08	WIRE HARNESS	QCNCW010NAWZZ	
CNS904		*	E35-2990-08	WIRE HARNE(FAN)	QCNCWN1582AWZZ	
FW701		*	E35-2998-08	WIRE HARNESS(3P)	QCNCWN1922AWZZ	
FW701A/B		*	E40-8931-08	WIRE HARNESS	QCNCW015CAWZZ	
FW801		*	E35-2995-08	WIRE HARNESS(4P)	QCNCWN1918AWZZ	
FW801A		*	E40-8928-08	WIRE HARNESS	QCNCW015DAWZZ	
FW801B		*	E40-8928-08	WIRE HARNESS	QCNCW015DAWZZ	
FW902		*	E35-2996-08	WIRE HARNESS	QCNCWN1927AWZZ	
FW902A		*	E40-8927-08	WIRE HARNESS	QCNCW019EAWZZ	
JK601		*	E63-1219-08	PIN JACK	QSOCJ0224AWZZ	
JK670		*	E11-0942-08	PHONE JACK	QJAKM0004AWZZ	
K901,902		*	LUG1746A	TERMINAL(LUG)	LUG1746A	

L : Scandinavia K : USA P : Canada R : Mexico C : China I : Malaysia  
 Y : PX(Far East,Hawaii) T : England E : Europe G : Germany V : China(Shanghai)  
 Y : AAFES(Europe) X : Australia Q : Russia H : Korea M : Other Areas Δ indicates safety critical components .

\* New Parts

Parts without **Parts No.** are not supplied.

Les articles non mentionnés dans le **Parts No.** ne sont pas fournis.

Teile ohne **Parts No.** werden nicht geliefert.

8

Ref. No	Add-ress	New Parts	Parts No.	Description	Desti-nation	Re-marks
SO301		*	E70-0145-08	FM ANT	QTANC0105AWZZ	
SO901		*	E70-0144-08	LOCK TERMINAL	QTANA0415AWZZ	
WT601		*	E40-8934-08	PIN ASSY	QCNCW012EAWZZ	MXM3M5
WT902		*	E40-8934-08	PIN ASSY	QCNCW012EAWZZ	ETE2
F801		*	F50-0191-08	FUSE(5A 125V)	QFS-D502DAWNI	MXM3M5
F801		*	F50-0201-08	FUSE(T2.5AL250V)	QFS-D250CAWNI	ETE2
F802,803		*	F50-0201-08	FUSE(T2.5AL250V)	QFS-D250CAWNI	MXM3M5
F804,805		*	F50-0202-08	FUSE(T5AL250V)	QFS-D502CAWNI	
F806,807		*	F50-0199-08	FUSE(T2AL250V)	QFS-D202CAWNI	
-		*	J19-6237-08	HOLDER(FL)	LHLDZ1338AWSA	
FH801,802		*	J19-6238-08	HOLDER(FUSE)	QFSDH0001AWZZT	
FH803-806		*	J19-6238-08	HOLDER(FUSE)	QFSDH0001AWZZT	MXM3M5
FH807-814		*	J19-6238-08	HOLDER(FUSE)	QFSDH0001AWZZT	
BF301		*	L32-1040-08	FM OSC COIL	RFILR0008AWZZT	MXM3M5
CF301,302		*	L72-0641-08	FM FILTER	RFILF0072AFZZ	ETE2
CF303		*	L72-0638-08	CERAMIC FILTER	RFILF0124AFZZ	MXM3M5
CF351		*	L79-1287-08	LINE FILTER	RFILF0003AWZZT	
CF352		*	L79-1286-08	LINE FILTER	RFILA0009AWZZ	
L1		*	L90-0387-08	COIL	VP-XHR82K0000T	
L101,102		*	L90-0390-08	COIL	VP-MK2R2K0000T	ETE2
L104		*	L90-0389-08	COIL	VP-MK331K0000T	
L312		*	L90-0391-08	COIL	RCILR0056AWZZ	MXM3M5
L341		*	L90-0394-08	ANT COIL	RBLN-0002AWZZ	ETE2
L342		*	L90-0312-08	COIL	VP-DH2R2K0000T	ETE2
L351,352		*	L90-0388-08	COIL	VP-DH101K0000T	
L354		*	L79-1289-08	COIL	RFILL0001AWZZ	ETE2
L601		*	L90-0312-08	COIL	VP-DH2R2K0000T	ETE2
L700		*	L90-0388-08	COIL	VP-DH101K0000T	
L801		*	L33-1644-08	CHOKE COIL	RCILZ0022AWZZ	ETE2
L901,902		*	L39-1342-08	COIL	RCILZ0137AFZZ	
L903,904		*	L39-1342-08	COIL	RCILZ0137AFZZ	ETE2
LT21,22		*	L90-0312-08	COIL	VP-DH2R2K0000T	ETE2
T301		*	L33-1634-08	CHOKE COIL	RCILB0065AWZZ	MXM3M5
T302		*	L31-0662-08	FM-RF COIL	RCIL10017AWZZ	MXM3M5
T303		*	L31-0661-08	FM-RF COIL	RCILA0052AWZZ	
T306		*	L32-1039-08	OSC COIL(AM)	RCILB067AWZZ	
T351		*	L30-0985-08	IFT COIL(AM)	RCIL10019AWZZ	
T801	2E	*	L07-3125-08	POWER TRANS 123	RTRNP0367AWZZ	ETE2
T801	2E	*	L07-3145-08	POWER TRANS 6	RTRNP0364AWZZ	ETE2
T801	2E	*	L07-3146-08	POWER TRANS 45	RTRNP0368AWZZ	MXM3M5
T801	2E	*	L07-3147-08	POWER TRANS 7	RTRNP0365AWZZ	MXM3M5
T802		*	L07-3151-08	TRANSFORMER	RTRNP0313AWZZ	ETE2
T802		*	L07-3152-08	TRANSFORMER	RTRNP0341AWZZ	MXM3M5
X351		*	L77-2351-08	CRYSTAL RESONA	CRSTL1425A	
X352		*	L77-2352-08	CRYSTAL RESONA	RCRSP0019AWZZ	
XL1		*	L78-0739-08	RESONATOR	RCRM-0041AWZZT	
XL700		*	L77-2230-08	CRYSTAL RESONA	RCRSP0003AWZZ	
XT21		*	L77-2374-08	CRYSTAL RESONA	RCRSP0018AWZZ	ETE2
MJ1 -3			RK73EB2B000J	CHIP R	0 J 1/8W	
MJ101			RK73EB2B000J	CHIP R	0 J 1/8W	
MJ301			RK73EB2B000J	CHIP R	0 J 1/8W	ETE2
MJ306			RK73EB2B000J	CHIP R	0 J 1/8W	
MJ307,308			RK73EB2B000J	CHIP R	0 J 1/8W	MXM3M5
MJ309,310			RK73EB2B000J	CHIP R	0 J 1/8W	

L : Scandinavia K : USA P : Canada R : Mexico C : China I : Malaysia  
 Y : PX(Far East,Hawaii) T : England E : Europe G : Germany V : China(Shanghai)  
 Y : AAFES(Europe) X : Australia Q : Russia H : Korea M : Other Areas Δ indicates safety critical components .

PARTS LIST

RXD-655/755

\* New Parts

Parts without **Parts No.** are not supplied.Les articles non mentionnés dans le **Parts No.** ne sont pas fournis.Teile ohne **Parts No.** werden nicht geliefert.

9

Ref. No	Add-ress	New Parts	Parts No.	Description	Desti-nation	Re-marks
MJ311			RK73EB2B000J	CHIP R	0	J 1/8W
MJ314			RK73EB2B000J	CHIP R	0	J 1/8W
MJ315,316			RK73EB2B000J	CHIP R	0	J 1/8W
R11			RK73EB2B103J	CHIP R	10K	J 1/8W
R12			RK73EB2B331J	CHIP R	330	J 1/8W
R13-17			RK73EB2B102J	CHIP R	1.0K	J 1/8W
R23			RK73EB2B221J	CHIP R	220	J 1/8W
R24,25			RK73EB2B222J	CHIP R	2.2K	J 1/8W
R26,27			RK73EB2B103J	CHIP R	10K	J 1/8W
R39,40			RK73EB2B681J	CHIP R	680	J 1/8W
R41			RK73EB2B123J	CHIP R	12K	J 1/8W
R42			RK73EB2B122J	CHIP R	1.2K	J 1/8W
R43			RK73EB2B221J	CHIP R	220	J 1/8W
R45,46			RK73EB2B471J	CHIP R	470	J 1/8W
R47			RK73EB2B101J	CHIP R	100	J 1/8W
R48			RK73EB2B000J	CHIP R	0	J 1/8W
R101			RK73EB2B102J	CHIP R	1.0K	J 1/8W
R103,104			RK73EB2B222J	CHIP R	2.2K	J 1/8W
R105,106			RK73EB2B332J	CHIP R	3.3K	J 1/8W
R107,108			RK73EB2B473J	CHIP R	47K	J 1/8W
R109,110			RK73EB2B472J	CHIP R	4.7K	J 1/8W
R112			RK73EB2B153J	CHIP R	15K	J 1/8W
R113,114			RK73EB2B103J	CHIP R	10K	J 1/8W
R115			RK73EB2B472J	CHIP R	4.7K	J 1/8W
R120			RK73EB2B560J	CHIP R	56	J 1/8W
R121,122			RK73EB2B104J	CHIP R	100K	J 1/8W
R123,124			RK73EB2B392J	CHIP R	3.9K	J 1/8W
R125,126			RK73EB2B562J	CHIP R	5.6K	J 1/8W
R131,132			RK73EB2B392J	CHIP R	3.9K	J 1/8W
R134			RK73EB2B683J	CHIP R	68K	J 1/8W
R135,136			RK73EB2B472J	CHIP R	4.7K	J 1/8W
R137,138			RK73EB2B682J	CHIP R	6.8K	J 1/8W
R139,140			RK73EB2B102J	CHIP R	1.0K	J 1/8W
R141,142			RK73EB2B101J	CHIP R	100	J 1/8W
R145,146			RK73EB2B103J	CHIP R	10K	J 1/8W
R153			RK73EB2B103J	CHIP R	10K	J 1/8W
R156			RK73EB2B224J	CHIP R	220K	J 1/8W
R160			RN14BK2H82R0F	RN	82	F 1/2W
R162			RK73EB2B473J	CHIP R	47K	J 1/8W
R166			RK73EB2B223J	CHIP R	22K	J 1/8W
R167			RK73EB2B473J	CHIP R	47K	J 1/8W
R169-172			RK73EB2B102J	CHIP R	1.0K	J 1/8W
R169-174			RK73EB2B102J	CHIP R	1.0K	J 1/8W
R173,174			RK73EB2B100J	CHIP R	10	J 1/8W
R302			RK73EB2B100J	CHIP R	10	J 1/8W
R311			RK73EB2B104J	CHIP R	100K	J 1/8W
R313			RK73EB2B333J	CHIP R	33K	J 1/8W
R316			RK73EB2B472J	CHIP R	4.7K	J 1/8W
R322			RK73EB2B681J	CHIP R	680	J 1/8W
R323			RK73EB2B683J	CHIP R	68K	J 1/8W
R325			RK73EB2B473J	CHIP R	47K	J 1/8W
R327			RK73EB2B330J	CHIP R	33	J 1/8W
R336			RK73EB2B103J	CHIP R	10K	J 1/8W
R345			RK73EB2B472J	CHIP R	4.7K	J 1/8W
R346			RK73EB2B331J	CHIP R	330	J 1/8W

L : Scandinavia    K : USA    P : Canada    R : Mexico    C : China    I : Malaysia  
 Y : PX(Far East,Hawaii)    T : England    E : Europe    G : Germany    V : China(Shanghai)  
 Y : AAFES(Europe)    X : Australia    Q : Russia    H : Korea    M : Other Areas    Δ indicates safety critical components.

\* New Parts

Parts without **Parts No.** are not supplied.Les articles non mentionnés dans le **Parts No.** ne sont pas fournis.Teile ohne **Parts No.** werden nicht geliefert.

10

Ref. No	Add-ress	New Parts	Parts No.	Description	Desti-nation	Re-marks
R347			RK73EB2B682J	CHIP R	6.8K	J 1/8W
R348			RK73EB2B681J	CHIP R	680	J 1/8W
R349			RK73EB2B330J	CHIP R	33	J 1/8W
R350			RK73EB2B272J	CHIP R	2.7K	J 1/8W
R351			RK73EB2B562J	CHIP R	5.6K	J 1/8W
R352			RK73EB2B102J	CHIP R	1.0K	J 1/8W
R353			RK73EB2B271J	CHIP R	270	J 1/8W
R355			RK73EB2B332J	CHIP R	3.3K	J 1/8W
R356			RK73EB2B102J	CHIP R	1.0K	J 1/8W
R359			RK73EB2B182J	CHIP R	1.8K	J 1/8W
R360			RK73EB2B472J	CHIP R	4.7K	J 1/8W
R361,362			RK73EB2B332J	CHIP R	3.3K	J 1/8W
R365			RK73EB2B103J	CHIP R	10K	J 1/8W
R369			RK73EB2B150J	CHIP R	15	J 1/8W
R372-374			RK73EB2B102J	CHIP R	1.0K	J 1/8W
R376			RK73EB2B102J	CHIP R	1.0K	J 1/8W
R377			RK73EB2B473J	CHIP R	47K	J 1/8W
R378			RK73EB2B102J	CHIP R	1.0K	J 1/8W
R379			RK73EB2B222J	CHIP R	2.2K	J 1/8W
R380			RK73EB2B152J	CHIP R	1.5K	J 1/8W
R381			RK73EB2B103J	CHIP R	10K	J 1/8W
R383			RK73EB2B562J	CHIP R	5.6K	J 1/8W
R385			RK73EB2B562J	CHIP R	5.6K	J 1/8W
R388			RK73EB2B392J	CHIP R	3.9K	J 1/8W
R393			RK73EB2B102J	CHIP R	1.0K	J 1/8W
R395			RK73EB2B473J	CHIP R	47K	J 1/8W
R399			RK73EB2B330J	CHIP R	33	J 1/8W
R561			RK73EB2B103J	CHIP R	10K	J 1/8W
R562			RK73EB2B824J	CHIP R	820K	J 1/8W
R565			RK73EB2B333J	CHIP R	33K	J 1/8W
R566			RK73EB2B224J	CHIP R	220K	J 1/8W
R567			RK73EB2B683J	CHIP R	68K	J 1/8W
R568			RK73EB2B224J	CHIP R	220K	J 1/8W
R569			RK73EB2B104J	CHIP R	100K	J 1/8W
R570			RK73EB2B123J	CHIP R	12K	J 1/8W
R571			RK73EB2B394J	CHIP R	390K	J 1/8W
R572			RK73EB2B104J	CHIP R	100K	J 1/8W
R573			RK73EB2B563J	CHIP R	56K	J 1/8W
R574			RK73EB2B105J	CHIP R	1.0M	J 1/8W
R575			RK73EB2B474J	CHIP R	470K	J 1/8W
R576			RK73EB2B225J	CHIP R	2.2M	J 1/8W
R577			RK73EB2B154J	CHIP R	150K	J 1/8W
R578			RK73EB2B104J	CHIP R	100K	J 1/8W
R580			RK73EB2B184J	CHIP R	180K	J 1/8W
R605,606			RK73EB2B392J	CHIP R	3.9K	J 1/8W
R607,608			RK73EB2B103J	CHIP R	10K	J 1/8W
R611,612			RK73EB2B332J	CHIP R	3.3K	J 1/8W
R613,614			RK73EB2B331J	CHIP R	330	J 1/8W
R615,616			RK73EB2B222J	CHIP R	2.2K	J 1/8W
R617,618			RK73EB2B103J	CHIP R	10K	J 1/8W
R619,620			RK73EB2B223J	CHIP R	22K	J 1/8W
R621,622			RK73EB2B222J	CHIP R	2.2K	J 1/8W
R631,632			RK73EB2B103J	CHIP R	10K	J 1/8W
R633,634			RK73EB2B563J	CHIP R	56K	J 1/8W
R637,638			RK73EB2B474J	CHIP R	470K	J 1/8W

L : Scandinavia    K : USA    P : Canada    R : Mexico    C : China    I : Malaysia  
 Y : PX(Far East,Hawaii)    T : England    E : Europe    G : Germany    V : China(Shanghai)  
 Y : AAFES(Europe)    X : Australia    Q : Russia    H : Korea    M : Other Areas    Δ indicates safety critical components.

\* New Parts

Parts without **Parts No.** are not supplied.  
Les articles non mentionnés dans le **Parts No.** ne sont pas fournis.  
Teile ohne **Parts No.** werden nicht geliefert.

11

Ref. No	Add-ress	New Parts	Parts No.	Description	Desti-nation	Re-marks
R704-706			RK73EB2B102J	CHIP R 1.0K J 1/8W		
R731			RK73EB2B103J	CHIP R 10K J 1/8W		
R739-745			RK73EB2B102J	CHIP R 1.0K J 1/8W		
R747			RK73EB2B101J	CHIP R 100 J 1/8W		
R750			RK73EB2B225J	CHIP R 2.2M J 1/8W		
R752			RK73EB2B103J	CHIP R 10K J 1/8W		
R756-759			RK73EB2B103J	CHIP R 10K J 1/8W		
R760			RK73EB2B104J	CHIP R 100K J 1/8W		
R761			RK73EB2B102J	CHIP R 1.0K J 1/8W		
R762			RK73EB2B104J	CHIP R 100K J 1/8W		
R763			RK73EB2B102J	CHIP R 1.0K J 1/8W		
R764			RK73EB2B104J	CHIP R 100K J 1/8W		
R765			RK73EB2B102J	CHIP R 1.0K J 1/8W		
R766-770			RK73EB2B103J	CHIP R 10K J 1/8W		
R771			RK73EB2B102J	CHIP R 1.0K J 1/8W		
R774			RK73EB2B103J	CHIP R 10K J 1/8W		
R776-780			RK73EB2B103J	CHIP R 10K J 1/8W		
R783			RK73EB2B473J	CHIP R 47K J 1/8W		
R790			RK73EB2B000J	CHIP R 0 J 1/8W		
R804,805		*	R90-1325-08	ARRAY R(DISPLAY)RNL11AJB47K		
R855			RD14BB2H3R3J	RD 3.3 J 1/2W		
R861			RK73EB2B683J	CHIP R 68K J 1/8W		
R863			RK73EB2B333J	CHIP R 33K J 1/8W		
R868,869			RK73EB2B562J	CHIP R 5.6K J 1/8W		
R870			RK73EB2B222J	CHIP R 2.2K J 1/8W		
R873			RK73EB2B102J	CHIP R 1.0K J 1/8W		
R874,875			RK73EB2B104J	CHIP R 100K J 1/8W		
R878,879			RK73EB2B223J	CHIP R 22K J 1/8W		
R880			RK73EB2B103J	CHIP R 10K J 1/8W		
R911,912		*	R92-4565-08	FUSE R 100 J 1/4W		
R913-916		*	R92-4566-08	FL-PROOF RS 0.22 J 3W		
R917,918		*	R92-4567-08	FL-PROOF RS 0.1 J 3W		
R924			RD14BB2H4R7J	RD 4.7 J 1/2W		
R925-928			RD14BB2H100J	RD 10 J 1/2W		
R931,932			RD14BB2H100J	RD 10 J 1/2W		
R941,942			RS14AB3D561J	FL-PROOF RS 560 J 2W		
R943			RS14AB3D681J	FL-PROOF RS 680 J 2W		
R945,946			RD14BB2H3R9J	RD 3.9 J 1/2W		
R947,948			RD14BB2H3R9J	RD 3.9 J 1/2W		
R947,948			RD14BB2H5R6J	RD 5.6 J 1/2W	MXM3M5 ETE2	
R953,954			RD14BB2H100J	RD 10 J 1/2W		
RD01			RK73EB2B681J	CHIP R 680 J 1/8W		
RD02			RK73EB2B821J	CHIP R 820 J 1/8W		
RD03			RK73EB2B102J	CHIP R 1.0K J 1/8W		
RD04			RK73EB2B681J	CHIP R 680 J 1/8W		
RD05			RK73EB2B821J	CHIP R 820 J 1/8W		
RD06			RK73EB2B102J	CHIP R 1.0K J 1/8W		
RD07			RK73EB2B152J	CHIP R 1.5K J 1/8W		
RD08			RK73EB2B222J	CHIP R 2.2K J 1/8W		
RD09			RK73EB2B681J	CHIP R 680 J 1/8W		
RD10			RK73EB2B821J	CHIP R 820 J 1/8W		
RD11			RK73EB2B102J	CHIP R 1.0K J 1/8W		
RD12			RK73EB2B152J	CHIP R 1.5K J 1/8W		
RD13			RK73EB2B222J	CHIP R 2.2K J 1/8W		
RD15			RK73EB2B392J	CHIP R 3.9K J 1/8W		

L: Scandinavia K: USA P: Canada R: Mexico C: China I: Malaysia  
Y: PX(Far East,Hawaii) T: England E: Europe G: Germany V: China(Shanghai)  
Y: AAFES(Europe) X: Australia Q: Russia H: Korea M: Other Areas Δ indicates safety critical components.

\* New Parts

Parts without **Parts No.** are not supplied.  
Les articles non mentionnés dans le **Parts No.** ne sont pas fournis.  
Teile ohne **Parts No.** werden nicht geliefert.

12

Ref. No	Add-ress	New Parts	Parts No.	Description	Desti-nation	Re-marks
RD16			RK73EB2B562J	CHIP R 5.6K J 1/8W		
RD17			RK73EB2B103J	CHIP R 10K J 1/8W		
RD18			RK73EB2B183J	CHIP R 18K J 1/8W		
RT24			RK73EB2B563J	CHIP R 56K J 1/8W	ETE2	
RT25			RK73EB2B103J	CHIP R 10K J 1/8W	ETE2	
RT26			RK73EB2B563J	CHIP R 56K J 1/8W	ETE2	
VR701		*	R32-0106-08	VR(JOG) QSW-Z0013AWZZ		
RL801		*	S76-0124-08	MAGNETIC RELAY RRLYD0012AWZZ		
RL901		*	S76-0125-08	MAGNETIC RELAY RRLYD0014AWZZ		
SW1		*	S68-0139-08	PUSH SWITCH SWMPU10780MLB		
SW2,3		*	S68-0140-08	PUSH SWITCH SWMPU11470MLB		
SW4		*	S68-0138-08	PUSH SWITCH QSWF9001AW01		
SW601			S62-0086-08	SWITCH QSW-S0024AWZZ	MXM3M5	
SW701-721		*	S70-0091-08	TACT SWITCH SWICH1401AT		
SW801		*	S62-0106-08	SLIDE SW QSOCE0008AWZZ	MXM3M5	
D1,2			1SS133	DIODE VHDDS1SS133-1T		
D301-304			1SS133	DIODE VHDDS1SS133-1T		
D305			1SS133	DIODE VHDDS1SS133-1T	MXM3M5	
D513-516			1SS133	DIODE VHDDS1SS133-1T		
D700			1SS133	DIODE VHDDS1SS133-1T	M3M5	7
D701			1SS133	DIODE VHDDS1SS133-1T	MX	7
D701			1SS133	DIODE VHDDS1SS133-1T	M3M5	5
D702			1SS133	DIODE VHDDS1SS133-1T	M	4
D702			1SS133	DIODE VHDDS1SS133-1T	MXM3M5	5
D703			1SS133	DIODE VHDDS1SS133-1T	M	4
D703			1SS133	DIODE VHDDS1SS133-1T	MX	5
D703			1SS133	DIODE VHDDS1SS133-1T	ETE2	
D706-711			1SS133	DIODE VHDDS1SS133-1T		
D717,718			1SS133	DIODE VHDDS1SS133-1T		
D801			1SS133	DIODE VHDDS1SS133-1T		
D802-805			1N4004S	DIODE VHDDS1N404S-1T		
D806-808			1SS133	DIODE VHDDS1SS133-1T		
D809		*	D3SBA60F	DIODE VHD3SBA60F-1		12345
D809		*	TS6B04GM	DIODE VHDTS6B04GM-1		67
D810		*	D10XB60F	DIODE VHDD10XB60F-1		67
D810		*	TS6B04GM	DIODE VHDTS6B04GM-1		12345
D811-816			1N4004S	DIODE VHDDS1N404S-1T		
D818			1N4004S	DIODE VHDDS1N404S-1T		
D850,851			1SS133	DIODE VHDDS1SS133-1T		
D861,862			1SS133	DIODE VHDDS1SS133-1T		
D901,902			1N4004S	DIODE VHDDS1N404S-1T		
D907-909			1SS133	DIODE VHDDS1SS133-1T		
D911-913			1SS133	DIODE VHDDS1SS133-1T		
IC1		*	LC78645E	MI-COM IC VHILC78645E-1		
IC2		*	M63001FP	MOS-IC VHIM63001FP-1		
ICT21			LC72723M	IC(RDS DEMODULATOR IC)2723-1	ETE2	
IC101			AN7345K	MOS-IC VHIAN7345K-1		
IC301			TA7358AP	ANALOGUE IC VHIT7358AP-1	MXM3M5	
IC302			LC72131	MOS-IC VHILC72131/-1		
IC303		*	LA1832S	MOS-IC VHILA1832S/-1		
IC561,562			KIA4558P	ANALOGUE IC VHIIKIA4558P-1		
IC601		*	LC75341	MOS-IC VHILC75341/-1		
IC700		*	IX0450	MI-COM IC RH-IX0450AWZZ	MXM3M5	
IC700		*	IX0451	MI-COM IC RH-IX0451AWZZ	ETE2	

L: Scandinavia K: USA P: Canada R: Mexico C: China I: Malaysia  
Y: PX(Far East,Hawaii) T: England E: Europe G: Germany V: China(Shanghai)  
Y: AAFES(Europe) X: Australia Q: Russia H: Korea M: Other Areas Δ indicates safety critical components.

PARTS LIST

RXD-655/755



\* New Parts

Parts without **Parts No.** are not supplied.

Les articles non mentionnés dans le **Parts No.** ne sont pas fournis.

Teile ohne **Parts No.** werden nicht geliefert.

13

Ref. No	Add-ress	New Parts	Parts No.	Description	Desti-nation	Re-marks
IC860			KIA4558P	ANALOGUE IC		
IC901		*	STK41203	IC		67
IC901		*	STK4121J	IC		12345
Q1			KTA1266GR	TRANSISTOT		
Q2			KTC3203Y	TRANSISTOR		
Q3			KRC102M	TRANSISTOR		
Q103-106			2SC1845F	TRANSISTOR		
Q107,108			KTC3199GR	TRANSISTOR		
Q109			KTA1266GR	TRANSISTOT		
Q110,111			KRC104M	TRANSISTOR		
Q121,122			KTC3199GR	TRANSISTOR		
Q124			2SA1015GR	TRANSISTOR		
Q126			KRC104M	TRANSISTOR		
Q128			KTC3203Y	TRANSISTOR		
Q301		*	2SC380	TRANSISTOR	ETE2	
Q302		*	KTC3194Y	TRANSISTOR	MXM3M5	
Q360			KTA1266GR	TRANSISTOT		
Q603-606			KTC3199GR	TRANSISTOR		
Q700			KRC102M	TRANSISTOR		
Q703			KTA1273Y	TRANSISTOR		
Q704,705			KTA1271Y	TRANSISTOR		
Q706-708			KTC3199GR	TRANSISTOR		
Q709			KRC102M	TRANSISTOT		
Q801			AN78L05	IC(VOLTAGE REGULATOR/ +5V)/-1T		
Q802			KTC3199GR	TRANSISTOR		
Q803			KTA1274Y	TRANSISTOR		
Q850			KTC2026	TRANSISTOR		
Q851		*	KIA7810AP	IC		
Q852		*	KIA7805AP	MOS-IC		
Q862,863			KTC3199GR	TRANSISTOR		
Q864			KRC102M	TRANSISTOT		
Q865			KTC3199GR	TRANSISTOR		
Q901-904			KTC3199GR	TRANSISTOR		
Q905			KRC107M	TRANSISTOR		
Q907			KTC3203Y	TRANSISTOR		
QT21			KTC3199GR	TRANSISTOR		
ZD1		*	DZ3R3BSB	ZENER DIODE		
ZD2		*	DZ3R9BSB	ZENER DIODE		
ZDT21		*	DZ5R1BSB	ZENER DIODE	ETE2	
ZD351		*	DZ5R1BSB	ZENER DIODE		
ZD561		*	DZ6R2BSC	ZENER DIODE		
ZD801		*	DZ330BSC	ZENER DIODE		
ZD802		*	DZ6R2BSC	ZENER DIODE		
ZD803		*	DZ4R3BSC	ZENER DIODE		
ZD804		*	DZ110BSB	ZENER DIODE		
ZD851		*	DZ2R4BSB	ZENER DIODE		
ZD901,902		*	DZ120BSB	ZENER DIODE		
ZD951		*	DZ130BSB	ZENER DIODE		
FE301		*	W02-2876-08	TUNER PACK	ETE2	
RX701			W02-2689-08	OPTICAL MODULE		
<b>CD MECHANISM</b>						
1	2A		D13-1869-08	GEAR		
2	2A		D13-1870-08	GEAR		
5	2A	*	G13-2515-08	GUSHION		

L : Scandinavia

K : USA

P : Canada

R : Mexico

C : China

I : Malaysia

Y : PX(Far East,Hawaii)

T : England

E : Europe

G : Germany

V : China(Shanghai)

Y : AAFES(Europe)

X : Australia

Q : Russia

H : Korea

M : Other Areas

△ indicates safety critical components.

\* New Parts

Parts without **Parts No.** are not supplied.

Les articles non mentionnés dans le **Parts No.** ne sont pas fournis.

Teile ohne **Parts No.** werden nicht geliefert.

14

Ref. No	Add-ress	New Parts	Parts No.	Description	Desti-nation	Re-marks
6	2A	*	T25-0115-08	OPTICAL PICKUP		
24	1A	*	D02-0145-08	TURNTABLE		
32	2B	*	D16-0776-08	BELT		
34	3B	*	J39-1037-08	SPACER		
35	1A	*	T99-0656-08	MAGNET		
38	2A	*	J39-1036-08	SPACER		
39	2A,3A	*	D14-0818-08	ROLLER		
40	3B	*	D10-5013-08	LEVER(STOP)		
41	2A	*	D32-0370-08	STOPPER		
42	3B	*	D10-5012-08	LEVER(LOCK)		
43	1A	*	J19-6229-08	STABILIZER		
45	2A	*	D19-0329-08	PIN(LOCK)		
46	2B	*	F09-0162-08	CAP		
47	2A	*	D13-2565-08	GEAR		
48	2A	*	D13-2559-08	GEAR		
49	2A	*	D13-2561-08	GEAR		
50	2A	*	D13-2563-08	GEAR		
51	2A	*	D13-2560-08	GEAR		
52	2B	*	D15-0445-08	PULLEY(GEAR)		
53	2A	*	D13-2562-08	GEAR		
54	2B	*	D10-5014-08	LEVER(CLAMP)		
55	2A	*	D10-5015-08	LEVER(DISC )		
56	2A	*	D13-2564-08	GEAR(CAM)		
57	1A	*	J19-6227-08	HOLDER		
60	3A	*	J99-0834-08	TRAY(SLIDE)		
62	2A	*	G01-4278-08	SPRING(STOP)		
63	3B	*	G01-4277-08	SPRING(LOCK)		
64	2A	*	G01-4279-08	SPRING		
66	1A	*	D19-0330-08	METAL PLATE		
AL	2A	*	N09-5335-08	MACHINE SCREW		
AM	3A	*	N09-5332-08	MACHINE SCREW		
AR		*	N19-1526-08	FLAT WASHER		
DM	2A	*	D40-1738-08	MOTOR ASSY		
FM	2A	*	T42-1114-08	MOTOR ASSY		
M3	2B	*	T41-0140-08	MOTOR ASS'Y		

L : Scandinavia

K : USA

P : Canada

R : Mexico

C : China

I : Malaysia

Y : PX(Far East,Hawaii)

T : England

E : Europe

G : Germany

V : China(Shanghai)

Y : AAFES(Europe)

X : Australia

Q : Russia

H : Korea

M : Other Areas

△ indicates safety critical components.

HOW TO READ THE PARTS LIST

ABBREVIATION OF MODEL AND MASS PRODUCTION'S DESTINATIONS

MODEL	CNT	Australia	Canada	China	England	Europe	Germany	Korea	Malaysia
ABB.	X	P	C	T	E	G	H	I	
RXD-655	1	-	-	-	T	E	-	-	-
RXD-655E	-	-	-	-	-	E2	-	-	-
RXD-655-GR	2	-	-	-	T	E	-	-	-
RXD-655E-GR	-	-	-	-	-	E2	-	-	-
RXD-655-H	-	-	-	-	-	E	-	-	-
RXD-655E-H	3	-	-	-	-	E2	-	-	-
RXD-655M-H	4	-	-	-	-	-	-	-	-
RXD-655M	5	X	-	-	-	-	-	-	-
RXD-655L	-	-	-	-	-	-	-	-	-
RXD-755	6	-	-	-	T	E	-	-	-
RXD-755E	-	-	-	-	-	E2	-	-	-
RXD-755M	7	X	-	-	-	-	-	-	-
RXD-755L	-	-	-	-	-	-	-	-	-
MODEL	CNT	Mexico	PX/AAFES	Russia	Scandinavia	Shanghai	USA	Other area	
ABB.	R	Y	Q	L	V	K	M		
RXD-655	1	-	-	-	-	-	-	-	
RXD-655E	-	-	-	-	-	-	-	-	
RXD-655-GR	2	-	-	-	-	-	-	-	
RXD-655E-GR	3	-	-	-	-	-	-	-	
RXD-655-H	-	-	-	-	-	-	-	-	
RXD-655E-H	-	-	-	-	-	-	-	-	
RXD-655M-H	4	-	-	-	-	-	-	M	
RXD-655M	5	-	-	-	-	-	-	M	
RXD-655L	-	-	-	-	-	-	-	M3M5	
RXD-755	6	-	-	-	-	-	-	-	
RXD-755E	-	-	-	-	-	-	-	-	
RXD-755M	7	-	-	-	-	-	-	M	
RXD-755L	-	-	-	-	-	-	-	M3M5	

PARTS LIST

RXD-655/755

## SPECIFICATIONS

### ***XD-655***

#### **Main Unit**

##### **[Amplifier section]**

Rated power output  
 1 kHz, 1% T.H.D., 6 Ω ..... (RMS) 72 W + 72 W  
 Effective output power during STEREO operation  
 1 kHz, 10% T.H.D., 6 Ω . (RMS) 100 W + 100 W  
 Signal to noise ratio  
 VIDEO/AUX INPUT ..... 88 dB (IHF' 66)  
 Input sensitivity / impedance  
 VIDEO/AUX INPUT ..... 600 mV / 47 kΩ

##### **[Tuner section]**

FM tuner section  
 Tuning frequency range ..... 87.5 MHz ~ 108 MHz  
 MW (AM) Tuner section  
 Tuning frequency range  
 9 kHz step ..... 531kHz ~ 1,602kHz  
 10 kHz step ..... 530kHz ~ 1,610kHz

##### **[Cassette deck section]**

Track ..... 4-track, 2-channel stereo  
 Recording system ..... AC bias system  
 (Frequency: 100 kHz)  
 Heads  
 A deck : Playback head ..... 1  
 B deck : Playback / recording head ..... 1  
 Erasing head ..... 1  
 Fast winding time ..... Approx. 100 seconds  
 (C-60 tape)

##### **[CD player section]**

Laser wave length ..... 770 to 795 nm  
 Laser power class ..... 1 (IEC)  
 Wow & Flutter ..... Less than unmeasurable limit

##### **[General]**

Power consumption ..... 100W  
 Dimensions ..... W : 270 mm (10-5/8")  
 H : 330 mm (13")  
 D : 390 mm (15-3/8")  
 Weight (net) ..... 9.0kg (19.8 lb)

### ***XD-855 / XD-855E / XD-755 / XD-755E***

#### **Main Unit**

##### **[Amplifier section]**

Rated power output  
 (U.K. and Europe)  
 1 kHz, 0.7% T.H.D., 6 Ω .....(DIN) 120W + 120W  
 (other countries)  
 1 kHz, 1% T.H.D., 6 Ω ..... (RMS) 122W + 122W  
 Effective output power during STEREO operation  
 1 kHz, 10% T.H.D., 6 Ω .....(RMS) 150W + 150W  
 Effective Music power (DIN) (One channel driven)  
 (U.K. and Europe) ..... 260W + 260W  
 Signal to noise ratio  
 VIDEO/AUX INPUT ..... 88 dB (IHF' 66)  
 Input sensitivity / impedance  
 VIDEO/AUX INPUT ..... 600 mV / 47 kΩ

##### **[Tuner section]**

FM tuner section  
 Tuning frequency range ..... 87.5 MHz ~ 108 MHz  
 MW (AM) Tuner section  
 Tuning frequency range  
 (U.K. and Europe) ..... 531kHz ~ 1,602kHz  
 (Other countries)  
 9 kHz step ..... 531kHz ~ 1,602kHz  
 10 kHz step ..... 530kHz ~ 1,610kHz

##### **[Cassette deck section]**

Track ..... 4-track, 2-channel stereo  
 Recording system ..... AC bias system  
 (Frequency: 100 kHz)  
 Heads  
 A deck : Playback head ..... 1  
 B deck : Playback / recording head ..... 1  
 Erasing head ..... 1  
 Fast winding time ..... Approx. 100 seconds  
 (C-60 tape)

##### **[CD player section]**

Laser wave length ..... 770 to 795 nm  
 Laser power class ..... 1 (IEC)  
 Wow & Flutter ..... Less than unmeasurable limit

##### **[General]**

Power consumption ..... 130 W  
 Dimensions ..... W : 270 mm (10-5/8")  
 H : 330 mm (13")  
 D : 390 mm (15-3/8")  
 Weight (net) ..... 9.3kg ( 20.5lb)

#### **Note:**

Component and circuit are subject to modification to insure best operation under differing local conditions. This manual is based on Europe (E) standard, and provides information on regional circuit modification through use of alternate schematic diagrams, and information on regional component variations through use of parts list.

## KENWOOD CORPORATION

14-6,Dogenzaka 1-chome, Shibuya-ku, Tokyo, 150-8501 Japan

### **KENWOOD SERVICE CORPORATION**

P.O BOX 22745, 2201 East Dominguez St., Long Beach, CA 90801-5745, U.S.A.

### **KENWOOD ELECTRONICS CANADA INC.**

6070 Kestrel Road, Mississauga, Ontario, Canada L5T 1S8

### **KENWOOD ELECTRONICS LATIN AMERICA S.A.**

P.O BOX 55-2791, Piso 6 plaza Chase, Cl. 47 y Aquilino de la Guardia Panama, Republic de Panama

### **KENWOOD ELECTRONICS BRASIL LTDA.**

Av. Moema, 170-17, Andar-Cobertura "B", Ed. Maximum Service Center, 04077-020 Moema, São Paulo-SP-Brasil

### **KENWOOD ELECTRONICS U.K. LIMITED**

KENWOOD House, Dwight Road, Watford, Herts., WD1 8EB., United Kingdom

### **KENWOOD ELECTRONICS BELGIUM N.V.**

Meachelsesteenweg 418, B-1930 Zaventem, Belgium

### **KENWOOD ELECTRONICS DEUTSCHLAND GMBH**

Rembrücker Str. 15, 63150 Heusenstamm, Germany

### **KENWOOD ELECTRONICS FRANCE S.A.**

13 Boulevard Ney, 75018 Paris, France

### **KENWOOD ELECTRONICS ITALIA S.p.A.**

Via G. Sirtori, 7/9 20129, Milano, Italy

### **KENWOOD IBÉRICA S.A.**

Bolivia, 239-08020 Barcelona, Spain

### **KENWOOD ELECTRONICS AUSTRALIA PTY. LTD.**

(A.C.N. 001 499 074)  
 16 Giffnock Avenue, North Ryde, N.S.W. 2113, Australia

### **KENWOOD ELECTRONICS (HONG KONG) LTD.**

Unit 3712-3724, Level 37, Tower 1, Metroplaza, 223 Hing Fong Road, Kwai Fong N.T., Hong Kong

### **KENWOOD ELECTRONICS GULF FZE**

P.O.Box 61318, Jebel Ali, Dubai, U.A.E.

### **KENWOOD ELECTRONICS SINGAPORE PTE LTD.**

No. 1 Genting Lane #02-02, KENWOOD Building, Singapore, 349544

### **KENWOOD ELECTRONICS (MALAYSIA) SDN BHD.**

#4.01 Level 4, Wisma Academy Lot 4A, Jalan 19/1 46300 Petaling Jaya Selangor Darul Ehsan Malaysia

### **KENWOOD ELECTRONICS (THAILAND) CO., LTD.**

2019 New Pechburi Road, Bangkapi, Huaykwang, Bangkok, 10320 Thailand