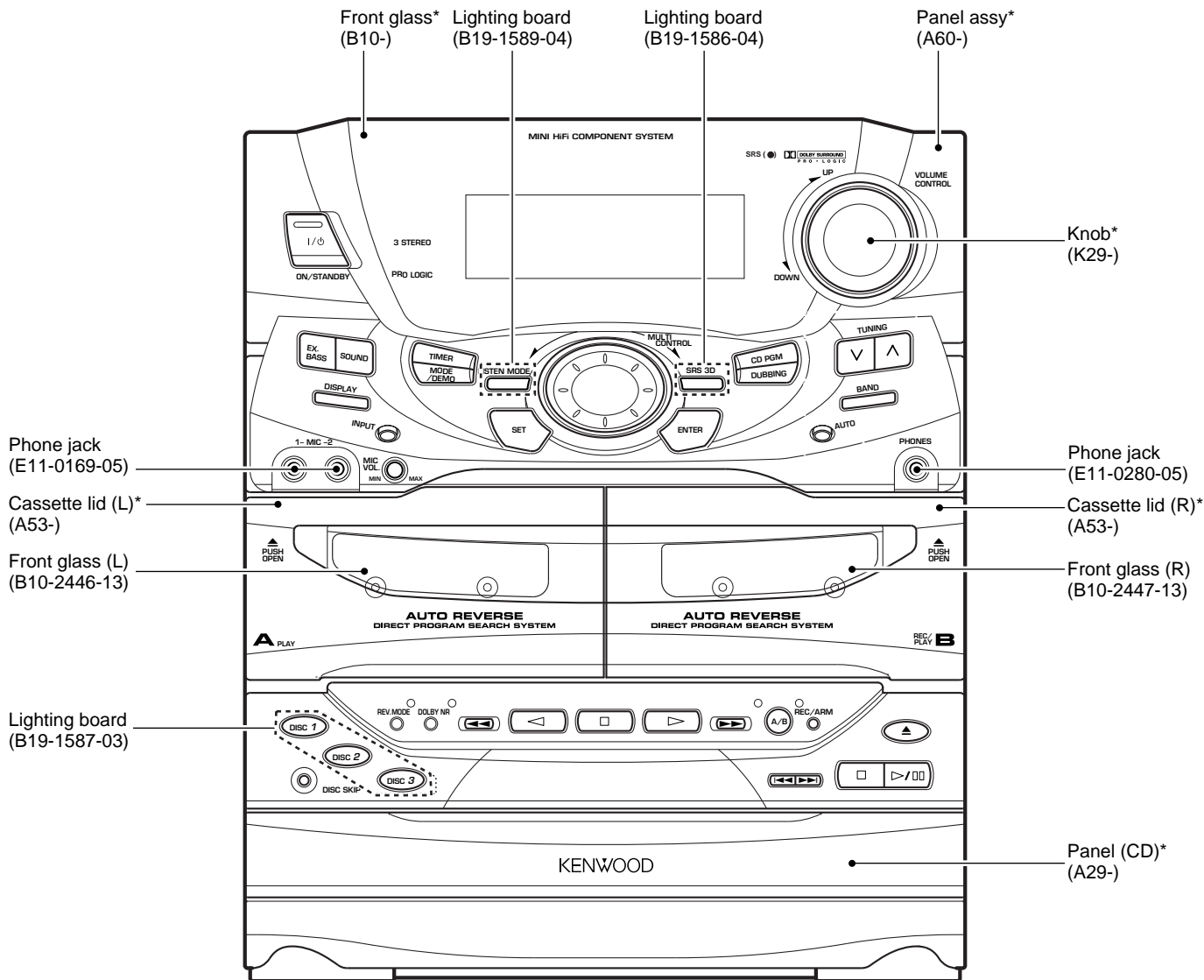


MINI HiFi COMPONENT SYSTEM
 RXD-951/951E/951W/A900/A700/
 A700E/A700W/V616/V818/V919
SERVICE MANUAL
 (XD-951~V919)**

KENWOOD

© 1998-6/B51-5444-00 (K/K) 3264



**Refer to page 2 if you want to know system configuration.

In compliance with Federal Regulations, following are reproductions of labels on, or inside the product relating to laser product safety.

Refer to RXD-500/700 (B51-5300-00), If you require TUNER preset frequency in detail.
 Refer to RXD-501/etc(B51-5420-00), if you require CIRCUIT DESCRIPTION in detail.

* Refer to parts list on page 62.

KENWOOD-Crop. certifies this equipment conforms to DHHS Regulations No. 21 DFR 1040. 10, Chapter 1, Subchapter J.

DANGER : Laser radiation when open and interlock defeated. AVOID DIRECT EXPOSURE TO BEAM

RXD-951/A700/A900/V616/V818/V919

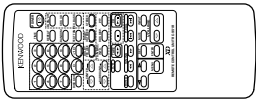
CONTENTS / ACCESSORIES

Contents

| | | | |
|------------------------------|----|-------------------------|----|
| CONTENTS / ACCESSORIES | 2 | WIRING DIAGRAM | 15 |
| EXTERNAL VIEW | 3 | PC BOARD | 18 |
| DISASSEMBLY FOR REPAIR | 4 | SCHEMATIC DIAGRAM | 27 |
| BLOCK DIAGRAM | 5 | EXPLODED VIEW | 60 |
| CIRCUIT DESCRIPTION | 6 | PARTS LIST | 62 |
| ADJUSTMENT | 11 | SPECIFICATIONS | 88 |

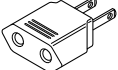
Accessories

Remote control unit (1)
(A70-1221-05) : RC-951R

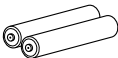


Battery cover (A09-1117-08)

AM loop antenna (1) (T90-0833-05)



Loop antenna stand (1)
(J19-3645-05)




Surround speaker system

- Surround speaker (2)
- Speaker cord (2)
- Speaker stabilizer (8)
- Wall mount hardware (2)
- Screw (4)
- Center speaker (1)
- Speaker cord (1)
- Speaker stabilizer (4)*

*Except for CRS-N551


AC plug adaptor (1)
(E03-0115-05)



Use to adapt the plug on the power cord to the shape of the wall outlet.
(Accessory only for regions where use is necessary.)

Speaker cords (4)
XD-951/XD-A900


Speaker cords (2)
XD-A700




(Provided in the speaker package)

FM indoor antenna (1)


Europe and U.K.
(T90-0836-05)



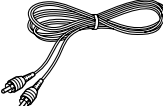
Other countries
(T90-0801-05)




Batteries (R6/AA) (2)



Video cord (1)
(E30-1427-05)



Speaker cushions (8)
(G11-2345-04)



Model name vs remote controller

| Remote controller | | Model name | Destination | Battery cover |
|-------------------|------------|------------|-------------|---------------|
| Parts number | Model name | | | |
| A70-1218-05 | RC-V919 | RXD-V919 | M2I2V2 | A09-1117-08 |
| A70-1219-05 | RC-V818 | RXD-V818 | M3I3V3 | |
| A70-1220-05 | RC-951 | RXD-V616 | M4I4V4 | |
| | | RXD-A900 | K1P1 | |
| | | RXD-A700 | K2P2X2 | |
| A70-1221-05 | RC-951R | RXD-951 | M1I1X1YIM5 | |
| | | RXD-951 | E1 | |
| | | RXD-951E | E2 | |
| | | RXD-A700E | E3 | |
| | | RXD-951W | Q1 | |
| | | RXD-A700W | Q2 | |

System configuration

| SYSTEM | MAIN UNIT | DESTINATION | SPEAKER | SPEAKER | SP CORD PARTS.NO. |
|----------|-----------|-------------|---------|----------|-------------------|
| XD-A900 | RXD-A900 | K1P1 | LS-N851 | CRS-N851 | E30-5471-05 |
| XD-951 | RXD-951 | X1Y1M1E1M5 | LS-N851 | CRS-N851 | E30-5471-05 |
| XD-951E | RXD-951E | E2 | LS-N851 | CRS-N851 | E30-5471-05 |
| XD-951W | RXD-951W | Q1 | LS-N851 | CRS-N851 | E30-5471-05 |
| XD-A700 | RXD-A700 | K2P2 | LS-N451 | CRS-N551 | E30-5120-08 |
| XD-A700 | RXD-A700 | X2 | LS-N551 | CRS-N851 | E30-5474-08 |
| XD-A700E | RXD-A700E | E3 | LS-N551 | CRS-N851 | E30-5474-08 |
| XD-A700W | RXD-A700W | Q2 | LS-N551 | CRS-N851 | E30-5474-08 |
| XD-V616 | RXD-V616 | M4I4V4 | LS-N651 | - | E30-5475-05 |
| XD-V818 | RXD-V818 | M3I3V3 | LS-N851 | - | E30-5471-05 |
| XD-V919 | RXD-V919 | M2I2V2 | LS-N851 | CRS-N851 | E30-5471-05 |

Refer to the ICs.

| Ref. No. | Parts No. | Refer to Service Manual(page) | Remarks |
|------------|----------------|-------------------------------|--------------------------------|
| (X09) IC10 | M38199MF-080FP | RXD-501/etc. (9, 10) | It is the same H38199MF-075FP. |
| (X09) IC10 | M38199MF-080FP | RXD-501/etc. (9, 10) | |
| (X14) IC1 | uPD780204-038 | RXD-501/etc. (11) | — |
| (X28) IC6 | TC74HC166AP | RXD-501/etc. (12) | |

EXTERNAL VIEW

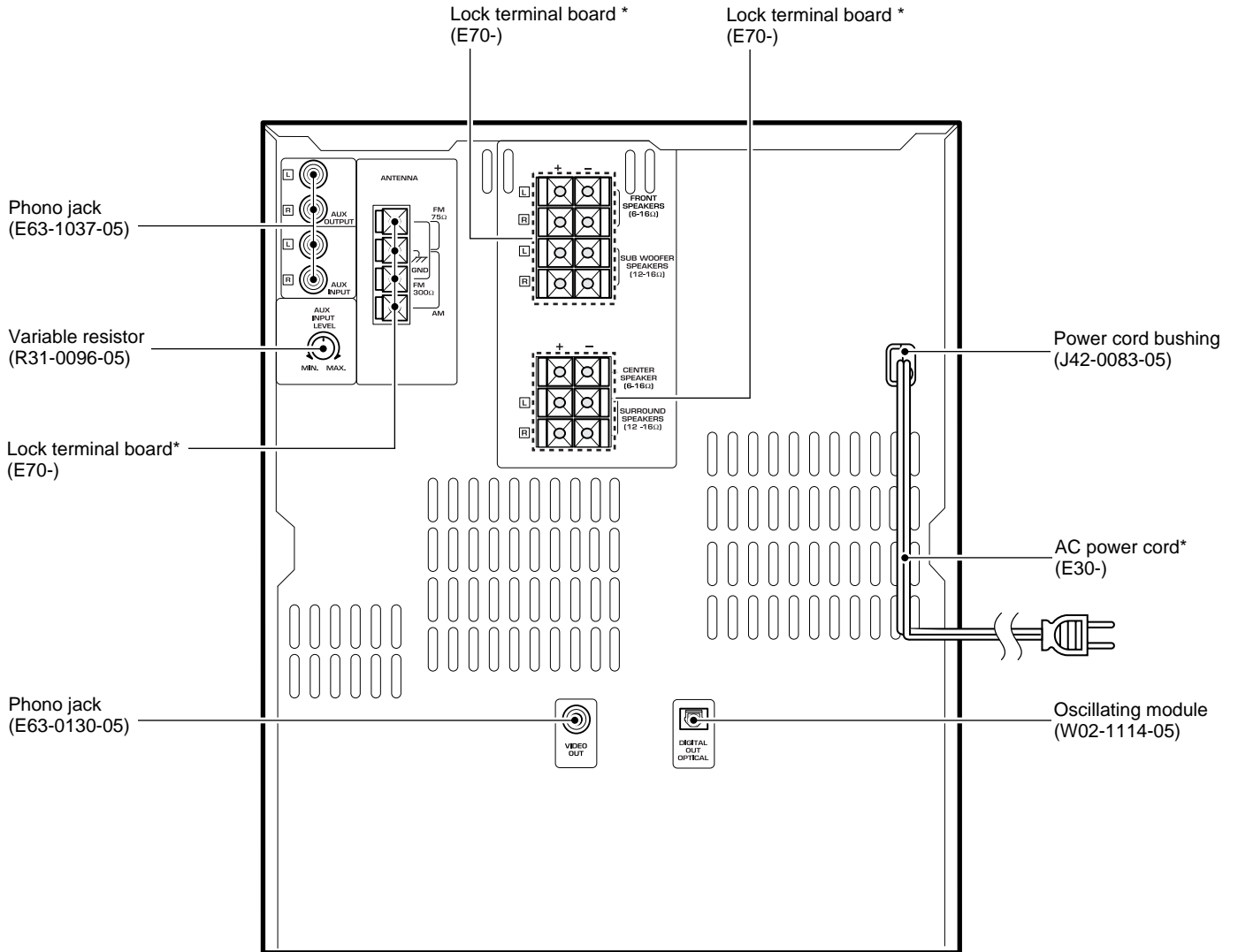


Illustration is RXD-V919.
* Refer to parts list on page 62.

DISASSEMBLY FOR REPAIR

1. How to remove the front panel.

- (1) Turn the power ON and then push the open/close key to open the tray.
- (2) After removed the tray cover, push the open/close key to close the tray and then turn the power OFF.
- (3) Remove the push rivet (①) and 4 screws (②, ③).
- (4) The front panel can be separated by removing the 3 screws (④) located at the bottom plate of the front panel.

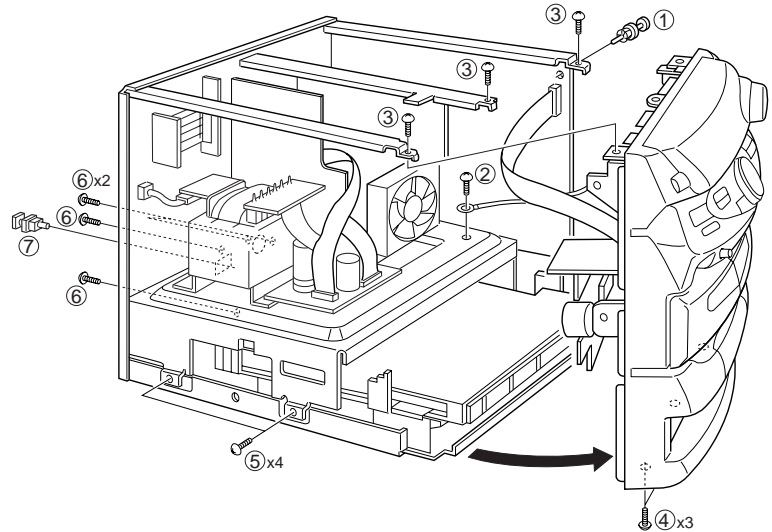


Fig.1

2. How to remove the CD mechanism

- (1) Remove 4 screws (⑤) on the left side/right side of chassis.
- (2) Remove 4 screws (⑥) and the cap (⑦) on the rear panel.
- (3) Disengage the CD mechanism as FIG.2.
- (4) Connect the GND plate of X32 PCB and the chassis with a alligator clip wire (⑧).

3. How to remove the mult control knob.

- Remove the knob by string (⑨).

4. How to open the tray if not comes out.

- (1) From the rear side of the CD mechanism, use a screw driver or the like to turn the friction arm fully counterclockwise.
- (2) Pull out the tray front wards by hand when the tray comes just out.

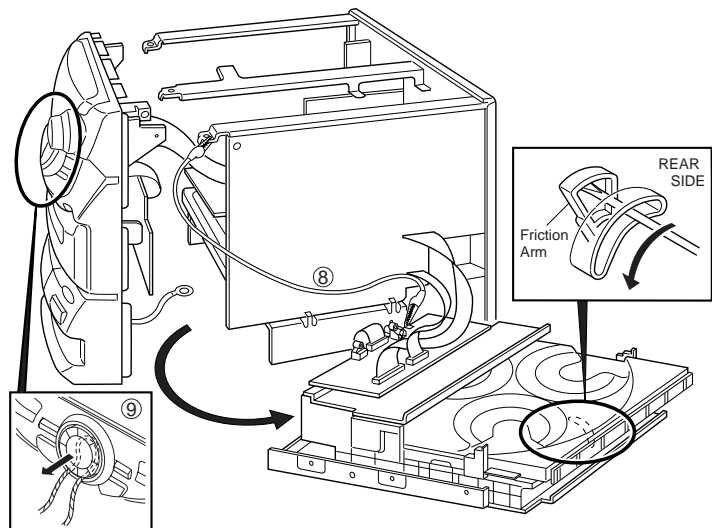


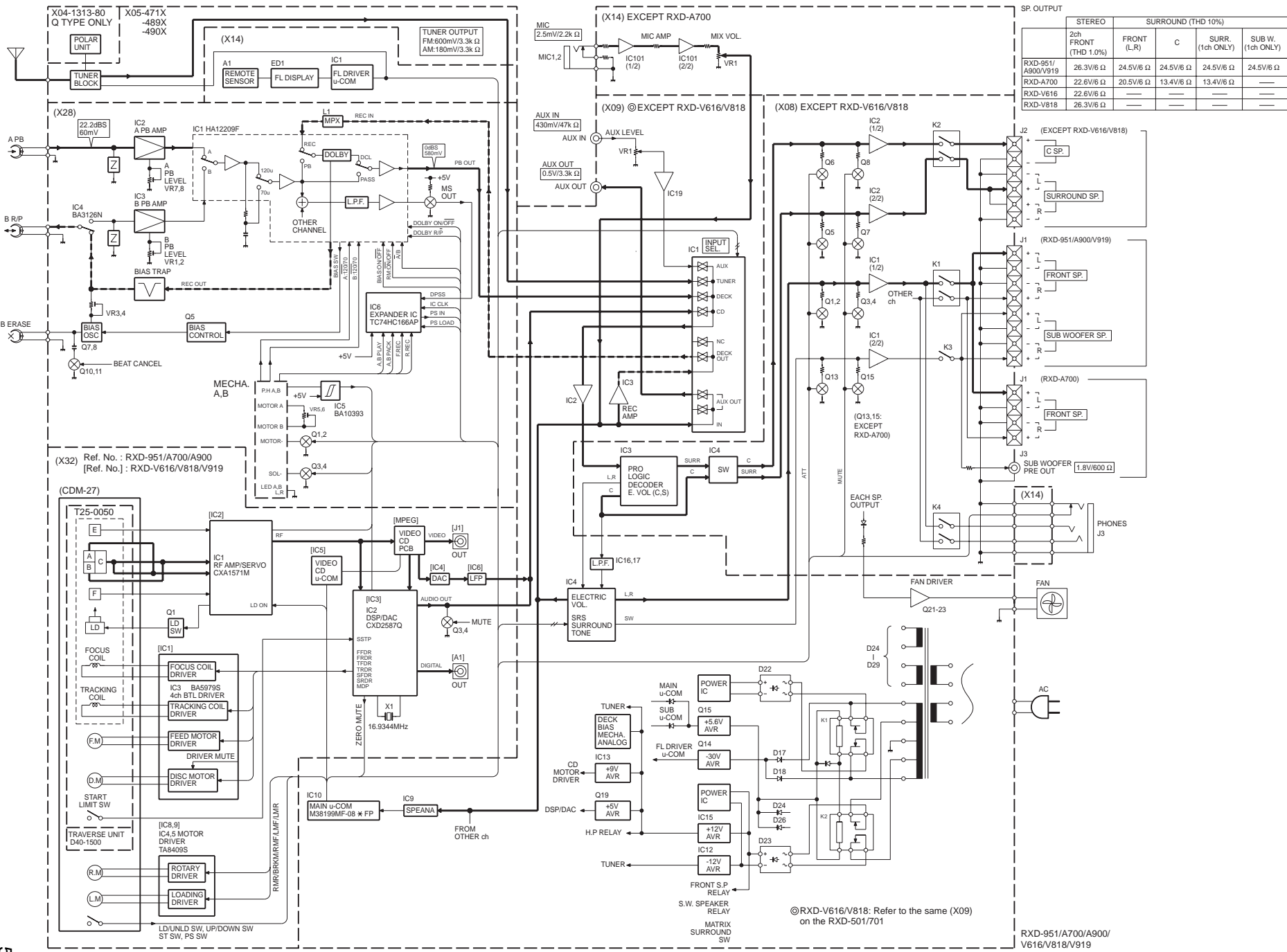
Fig.2

* As for details of items in the below, refer to RXD-F3 service manual (B51-5091-00).

- (1) How to detach the tray.
- (2) How to attach the tray.
- (3) Replacing the pickup.

RXD-951/A700/A900/V616/V818/V919

BLOCK DIAGRAM



CIRCUIT DESCRIPTION

1. Initialization

1-1 Setting of initial conditions

While pressing the [ENTER] key, plug the AC cord into the AC power outlet.

1-2 Initializing operation

- A microcomputer is initialized for start when the AC power is turned on while pressing the [ENTER] key. At that time, CD mechanism and CASSETTE mechanism are also initialized.
- During the initial operation, the display shows "INITIALIZE" and after that the clock blinks up on display.

1-3 The backup data and initial items.

| ITEMS | | |
|------------------|-------------------|------------------|
| AMP | POWER | OFF |
| | VOLUME | 45 |
| | BALANCE | CENTER |
| | * MUTING | OFF |
| | * EQ | OFF (ROCK) |
| | EQ. MANU | FLAT |
| | * EX. BASS | ON |
| | S. W. * | LEVEL3 |
| | SRS 3D | OFF |
| | 3D LEVEL | LEVEL +5 |
| | INPUT SEL | TUNER |
| | * DISPLAY MODE | DISPLAY AUTO |
| | DEMO | OFF |
| | DOLBY PRO LOGIC * | OFF |
| | DOLBY 3 STEREO * | OFF |
| | CENTER MODE * | NORMAL |
| DELAY TIME * | 20 msec | |
| CENTER LEVEL * | 0 (-10dB) | |
| SURROUND LEVEL * | 0 (-10dB) | |
| TUNER | BAND | FM |
| | LAST f | LOWEST FREQUENCY |
| | LAST Pch | — — |
| | AUTO/MONO | AUTO |
| | Pch | TEST f |
| CLOCK TIMER | * CLOCK | AM 12 : 00 *** |
| | PROG ON | AM 12 : 00 |
| | PROG OFF | AM 12 : 00 |
| | PRO MODE | TIMER PLAY |
| | SOURCE | TUNER |
| | Pch | 1 |
| | EXE | OFF |
| | OTT | OFF |
| | * SLEEP | OFF |
| | DIRECTION | FORWARD |
| DECK | RVS MODE | ▷ |
| | DOLBY NR | OFF |
| | * A/B | B |
| | * ACTIVE MODE | STOP |

| ITEMS | | |
|--------|---------------|--------|
| CD/VCD | * PLAY MODE | TRACK |
| | AUTO/NTSC/PAL | AUTO |
| | * AUTO PBC | ON |
| | * DIGEST | OFF |
| | * MEMORY STOP | OFF |
| | * REPEAT | OFF |
| | * RANDOM | OFF |
| | * ACTIVE MODE | STOP |
| | * TIME | SINGLE |

* None backup data

* Except RXD-V616

** Except RXD-V616/V818

*** Display [-- : --]

1-4 Mechanism initialization

1-4-1 CD mechanism

- Disc unclamps (traverse down)
- Rotary tray rotates (1/3 rotation)
- If a mechanism error occurs, "CD" is indicated on the display.

1-4-2 DECK mechanism

- When initial condition becomes NG for the third time, decide the error.
The error condition is displayed as "X" on the display.

1-4-3 Error display

CD X ERR

2. Test mode of the receiver

* Refer to the 3. test mode on page 7, 8 of the Service manual RXD-501/etc. (B51-5420-00).

* It makes description of addition RXD-V919 only.
(The operation of the keys)

| Push Key | Active description |
|------------------|---|
| * SKIP UP (▶▶) | Setting CENTER LEVEL -10 (Min) → 0 → +10 (Max) |
| * SKIP DOWN (◀◀) | -10 (Min) ← 0 ← +10 (Max) |
| * FF (▶▶) | Setting SURROUND LEVEL -10 (Min) → 0 → +10 (Max) |
| * RWD (◀◀) | -10 (Min) ← 0 ← +10 (Max) |
| CD PGM | DOLBY PRO LOGIC ON |
| DUBBING | DOLBY 3 STEREO ON |
| TIMER | STEREO ON |

* • Input selector : Except TUNER

• Surround mode : DOLBY mode (PRO LOGIC, 3ST)

CIRCUIT DESCRIPTION

3. Key matrix

FL driver u-COM (uPD780204-038) : (X14-) IC1

| VOLTAGE (V) | AD0 (33pin) | AD1 (32pin) | AD2 (31pin) | AD3 (30pin) | AD4 (29pin) | AD5 (28pin) | AD6 (27pin) |
|-------------|-------------|-------------|-------------|-------------|-------------|-------------|-------------|
| 0 ~ 0.82 | POWER | EX. BASS | CD PGM | TUNING UP | CD ◀◀ | A / B | DOLBY NR |
| 0.84 ~ 1.64 | – | * 1) SOUND | DUBBING | TUNING DOWN | CD ▶▶ | TAPE ▶▶ | REV MODE |
| 1.66 ~ 2.52 | – | * 2) | SRS | BAND | CD ■ | TAPE ▶ | DISC 1 |
| 2.54 ~ 3.38 | – | INPUT | * 3) | AUTO | CD ▶/ | TAPE ■ | DISC SKIP |
| 3.40 ~ 4.18 | – | MODE / DEMO | SET | ENTER | CD ▲ | TAPE ◀ | DISC 2 |
| 4.20 ~ 4.78 | – | TIMER | – | – | TAPE ● | TAPE ◀◀ | DISC 3 |

* 1) • EXCEPT : RXD-V616/V818

* 2) • RXD-V616/V818/V919 : KARAOKE

* 3) • RXD-V616/V818 : SOUND

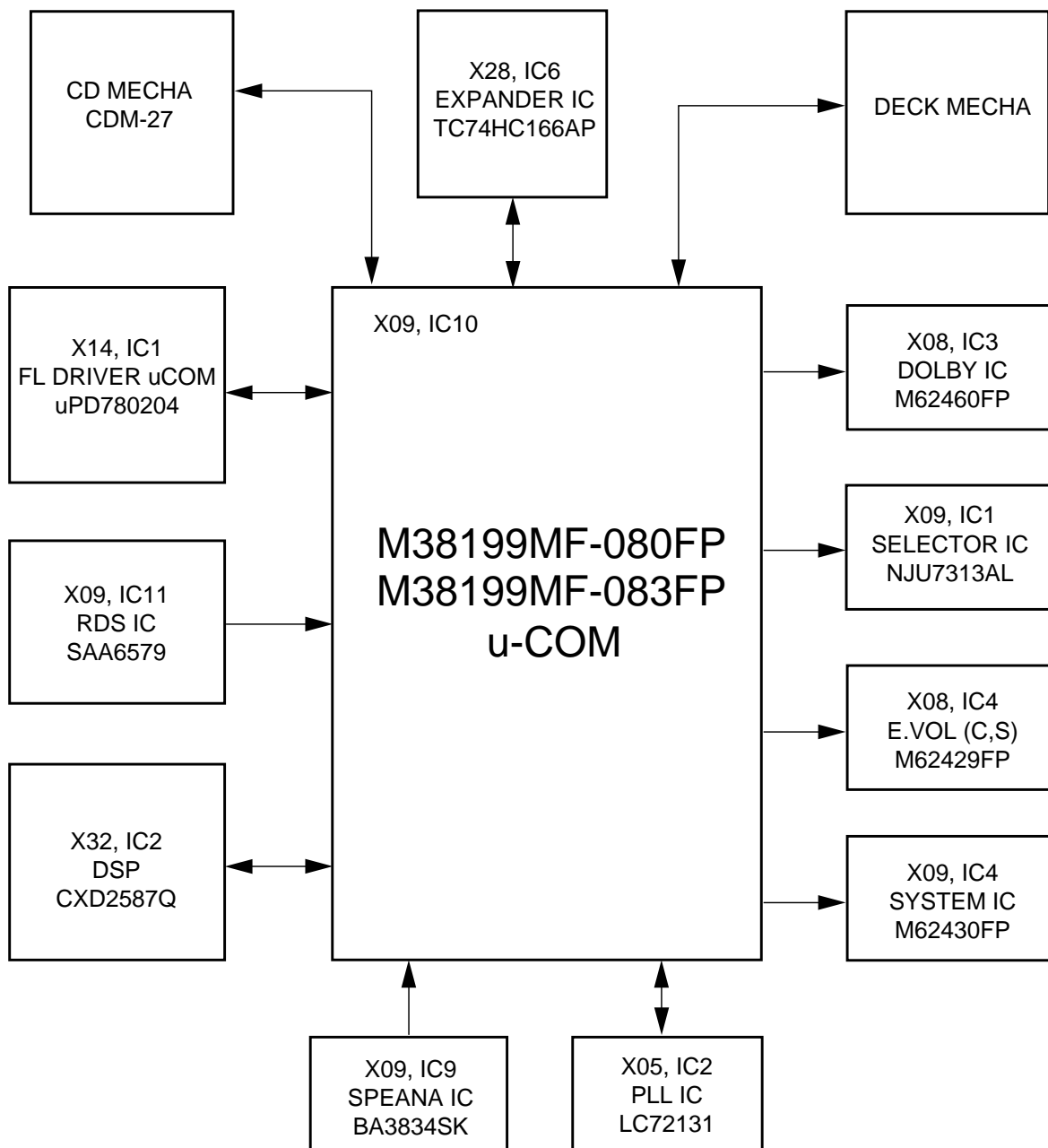
• Other : DISPLAY

• Other : LISTEN MODE

4. Main microprocessor

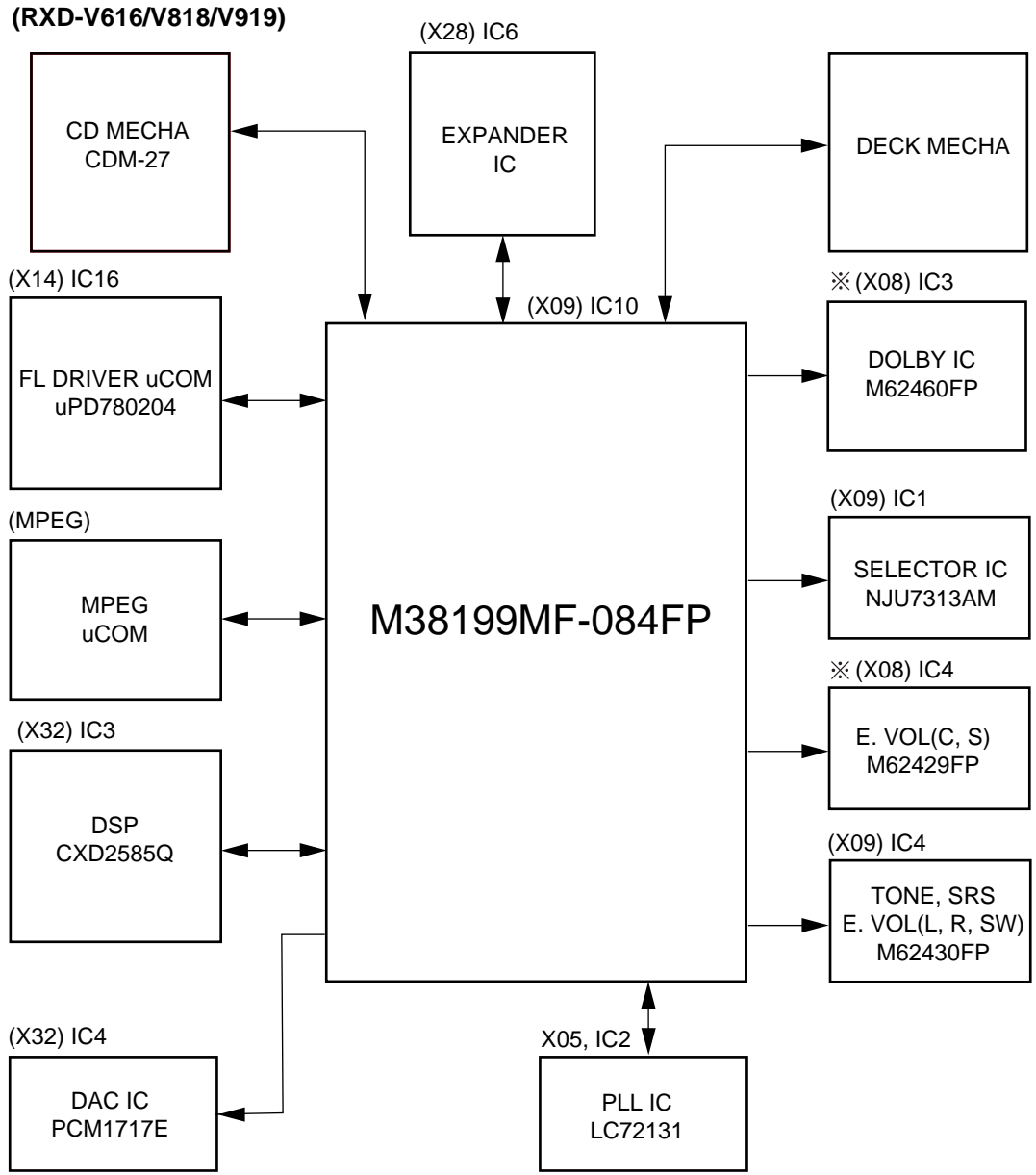
4-1 Microprocessor periphery block diagram

(RXD-951/A700/A900)



RXD-951/A700/A900/V616/V818/V919

CIRCUIT DESCRIPTION



※ EXCEPT RXD-V616/V818

CIRCUIT DESCRIPTION

4-2 Pin description

Microprocessor : M38199MF-084FP (X09, IC10)

| Pin No. | Pin name | I/O | Description | | |
|---------|----------|-----|--|-------------------|------------|
| 1 | PS IN | I | Parallel serial IC input data | | |
| 2 | PS LOAD | O | Parallel serial IC load | H : SHIFT | L : LOAD |
| 3 | A MUTE | O | Audio mute control | H : OFF | L : ON |
| 4 | BP IN | I | Speana input (A/D converter input) | | |
| 5 | JOG CW | I | Jog input B | | |
| 6 | JOG CCW | I | Jog input A | | |
| 7 | ENC CW | I | Rotary encoder input B | | |
| 8 | ENC CCW | I | Rotary encoder input A | | |
| 9 | H.P. | I | Headphones switch input | H : ON | L : OFF |
| 10 | EMPHASIS | I | Video CD emphasis | | |
| 11 | CD PROT | I | CD protect input | H : PROTECT | L : NORMAL |
| 12 | DRV CLK | O | FL driver u-COM control clock | | |
| 13 | DRV SI | O | FL driver u-COM control data output | | |
| 14 | DRV SO | I | FL driver u-COM control data input | | |
| 15 | C BUSY | O | Video CD u-COM busy output (MPEG) | | |
| 16 | VCLOCK | O | Video CD u-COM clock (MPEG) | | |
| 17 | C DATA | O | Video CD u-COM data output (MPEG) | | |
| 18 | M DATA | I | Video CD u-COM data input (MPEG) | | |
| 19 | CD CK | O | CD DSP IC clock (CXD2587Q) | | |
| 20 | SQCK | O | CD Sub code clock (CXD2587Q) | | |
| 21 | CDDT | O | CD DSP IC data (CXD2587Q) | | |
| 22 | SQSO | I | CD Sub code input (CXD2587Q) | | |
| 23 | CDXL | O | CD latch output (CXD2587Q) | | |
| 24 | SENS | I | CD sense input (CXD2587Q) | | |
| 25 | CD SCK | O | Sense data reading clock output (CXD2587Q) | | |
| 26 | LD ON | O | CD laser output | H : OFF | L : ON |
| 27 | DATA | O | SELECTOR/SYSTEM/DAC/DOLBY IC data output | | |
| 28 | CLK | O | SELECTOR/SYSTEM/DAC/DOLBY IC clock output | | |
| 29 | PROT | I | Protection input | H : PROTECTION ON | L : NORMAL |
| 30 | SCOR | I | Sub code synchronism signal (CXD2587Q) | | |
| 31 | E DATA | O | E. vol data output (M62430FP) | | |
| 32 | E CLK | O | E. vol clock output (M62430FP) | | |
| 33 | P/N-O | I | Video CD video mode | H : PAL | L : NTSC |
| 34 | M BUSY | I | Video CD u-COM busy input (MPEG) | | |
| 35 | RESET | I | Reset signal input | H : NORMAL | L : RESET |
| 36 | X CIN | I | Timer clock input (32.768kHz) | | |
| 37 | X COUT | O | Timer clock output (32.768kHz) | | |
| 38 | X IN | I | Main clock input (8.38MHz) | | |
| 39 | X OUT | O | Main clock output (8.38MHz) | | |
| 40 | VSS | - | GND | | |
| 41 | PLL DO | I | PLL data input | | |
| 42 | STEREO | I | Stereo detector input | | |
| 43 | SD | I | SD detector input | | |
| 44 | CE | I | Power failure input | H : AC ON | L : AC OFF |
| 45 | PLL CE | O | PLL IC chip enable (LC72131) | | |
| 46 | TU EMP | O | FM emphasis change-over (M type only) | H : 100kHz | L : 50kHz |
| | | | Polar/Pilot change-over (Q type only) | H : POLAR | L : PILOT |
| 47 | FL RST | O | FL driver reset control output | | |
| 48 | T MUTE | O | TUNER mute control output | | |
| 49 | DRV ST | O | FL driver u-COM control strobe output | | |
| 50 | HP RLY | O | Headphones relay control | | |
| 51 | SEL ST | O | Selector IC strobe output (NJU7313AL) | | |
| 52 | ATT | O | E. vol attenuation | H : ON | L : OFF |

CIRCUIT DESCRIPTION

| Pin No. | Pin name | I/O | Description | |
|---------|----------------------------|-----|---|--------------------------|
| 53 | SYS ST | O | System IC strobe output (M62430FP) | |
| 54 | CS RELAY | O | CS speaker relay control | H : ON L : OFF |
| 55 | SP RELAY | O | Speaker relay control | H : ON L : OFF |
| 56 | DOL ST | O | Dolby IC strobe output | |
| 57 | MON | O | PMON control | H : ON L : OFF |
| 58 | P/N-I | O | NTSC/PAL changeover | H : PAL L : NTSC |
| 59 | $\overline{\text{CDRST}}$ | O | CD DSP IC (CXD2585Q) reset control | H : NORMAL L : RESET |
| 60 | $\overline{\text{M/A}}$ | O | TV changeover control | H : MANUAL L : AUTO |
| 61 | ML | O | DAC IC (PCM1717E) strobe output | |
| 62 | P RLY | O | Power relay control | H : ON L : OFF |
| 63 | LMR | O | Loading motor control (reverse) | |
| 64 | LMF | O | Loading motor control (forward) | H : ON L : OFF |
| 65 | RMF | O | Rotary motor control (forward) | H : ON L : OFF |
| 66 | $\overline{\text{BRKM}}$ | O | Rotary motor control (brake) | H : NORMAL L : BRAKE |
| 67 | RMR | O | Rotary motor control (reverse) | H : ON L : OFF |
| 68 | DC OFF | O | CD DSP IC power control (CXD2587Q) | H : ON L : OFF |
| 69 | BEAT CANCEL | O | Beat cancel | H : ON L : OFF |
| 70 | $\overline{\text{A/B}}$ | O | A/B Playback change-over | H : B L : A |
| 71 | BIAS | O | Bias change-over | H : ON L : OFF |
| 72 | $\overline{\text{R MUTE}}$ | O | Deck rec mute control | H : OFF L : ON |
| 73 | NR | O | Dolby noise reduction change-over | H : ON L : OFF |
| 74 | $\overline{\text{D-R/P}}$ | O | Dolby rec/play change-over | H : REC L : PLAY |
| 75 | $\overline{\text{R/P}}$ | O | Rec/play change-over | H : REC L : PLAY |
| 76 | B CPM | O | B deck motor control | H : ON L : OFF |
| 77 | B SOL | O | B deck solenoid control | H : ON L : OFF |
| 78 | A CPM | O | A deck motor control | H : ON L : OFF |
| 79 | A SOL | O | A deck solenoid control | H : ON L : OFF |
| 80 | SPE3 | O | Speana out 3 | |
| 81 | TU/SPE2 | O | TUNER destination (scan)/speana out 2 | |
| 82 | TYP/SPE1 | O | Model discrimination (scan)/speana out1 | |
| 83~86 | RET4~RET1 | I | Model discrimination input 4~1 Discrimination of TUNER destination (DSW3~DSW0) | |
| 87 | A-PH | I | A deck photo sensor input | |
| 88 | B-PH | I | B deck photo sensor input | |
| 89 | UNL SW | I | CD unload switch | H : ON L : OFF |
| 90 | $\overline{\text{LO SW}}$ | I | CD load switch | H : OFF L : ON |
| 91 | VCC | - | u-COM power supply (+5V) | |
| 92 | $\overline{\text{ST SW}}$ | I | CD mechanism stop switch | H : OFF L : ON |
| 93 | $\overline{\text{UP SW}}$ | I | CD mechanism up switch | H : OFF L : ON |
| 94 | $\overline{\text{DN SW}}$ | I | CD mechanism down switch | H : OFF L : ON |
| 95 | $\overline{\text{PS SW}}$ | I | CD mechanism position switch | H : OFF L : ON |
| 96 | $\overline{\text{CD MUT}}$ | O | CD analog mute | H : OFF L : ON |
| 97 | $\overline{\text{ZERO}}$ | I | CD zero mute detection | H : MUTE OFF L : MUTE ON |
| 98 | VEE | - | GND | |
| 99 | AVSS | - | A/D GND | |
| 100 | VREF | - | A/D reference voltage | |

ADJUSTMENT

1. Tuner adjustment

X05-490x

| NO. | ITEM | INPUT SETTINGS | OUTPUT SETTINGS | TUNER SETTINGS | ALIGNMENT POINTS | ALIGN FOR | FIG. |
|-----|---------------------|---|---|------------------|---------------------|---------------------|------|
| 1 | DISCRIMINATOR | (A) 98 MHz, 70dBf (ANT INPUT) 1 kHz, ±40 kHz DEV | Connect a DC voltmeter between pin 1 and pin2 of CN2. | MONO 98.0 MHz | L31 | 0V | (a) |
| | DISTORTION | (C) 98 MHz, 70dBf (ANT INPUT) 1 kHz, ±40 kHz DEV | | | L32 (EXCEPT K/P) | Minimum distortion. | |
| 2 | DISTORTION (STEREO) | (C) 98 MHz, 70dBf (ANT INPUT) 1 kHz, ±40 kHz DEV | (B) | AUTO 98.0 MHz | T1(IF) (A1) | Minimum distortion. | (a) |

X05-4890

| NO. | ITEM | INPUT SETTINGS | OUTPUT SETTINGS | TUNER SETTINGS | ALIGNMENT POINTS | ALIGN FOR | FIG. |
|-----|---------------------|--|-----------------|------------------|------------------|---|------|
| 1 | TUNED LEVEL | (A) 98 MHz, 31.2dBf (ANT INPUT) 1 kHz, ±40 kHz DEV | | MONO 98.0 MHz | VR1 | Adjust VR1 and stop at the point where ED1 (TUNED) goes ON. | (a) |
| 2 | DISTORTION (STEREO) | (A) 98 MHz, 70dBf (ANT INPUT) 1 kHz, ±40 kHz DEV PILOT: ±6 kHz DEV | (B) | AUTO 98.0 MHz | T1(IF) (A1) | Minimum distortion. | (a) |

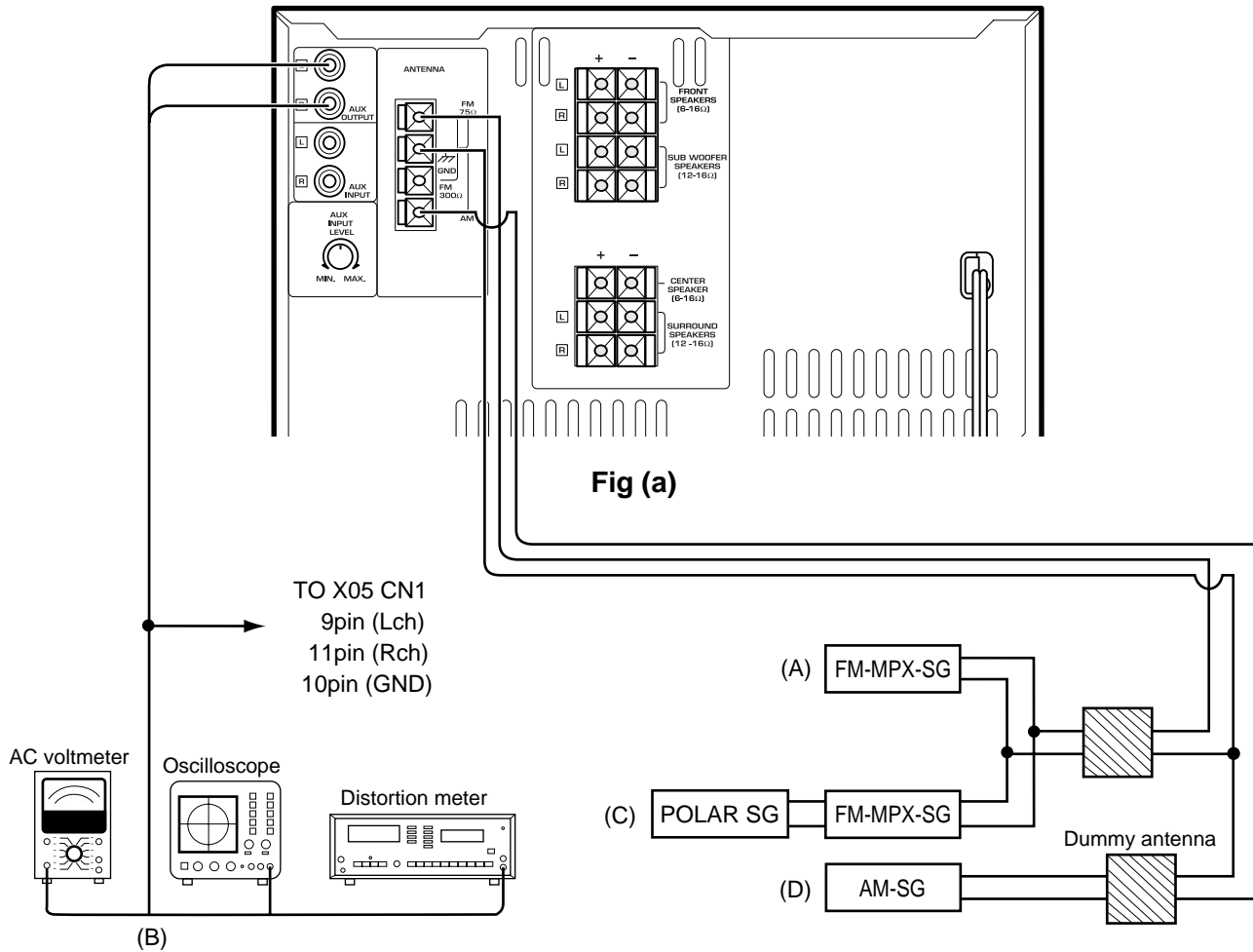
X05-4710

| No. | ITEM | INPUT SETTING | OUTPUT SETTING | TUNER MODE | ALIGNMENT POINTS | ALIGN FOR | FIG. |
|-----|---------------------|---|-------------------------------|-----------------|------------------|--------------------|------|
| 1 | DISCRIMINATOR | (A) 98MHz 1kHz, ±40kHzdev 70dBf (ANT input) | Connect a DC voltmeter to CN2 | MONO 98.0MHz | L5 | 0V | (a) |
| 2 | DISTORTION (STEREO) | (C) 98MHz 1kHz, ±40kHzdev Pilot, ±6kHzdev 70dBf (ANT input) | (B) | AUTO 98.0MHz | T1(IF) (A1) | Minimum distortion | (a) |
| 3 | SENSITIVITY (SW) | (D) 6.5MHz 400Hz 30%mod 40dBf (ANT input) | (B) | 6.5MHz | L2 | Maximum output | (a) |

X04-1313 Q TYPE (65MHz~74MHz BAND)

| NO. | ITEM | INPUT SETTINGS | OUTPUT SETTINGS | TUNER SETTINGS | ALIGNMENT POINTS | ALIGN FOR | FIG. |
|-----|-----------------|---|---|----------------|------------------|--|------|
| 1 | VCO | (E) 69 MHz, 70 dBf (ANT INPUT) 1 kHz, 0 kHz DEV SUB, 0 kHz DEV | Connect a frequency counter to VCO monitor (CN2). | AUTO 69 MHz | VR 2 | Adjust it the frequency counter reads 31.25 kHz ±100 Hz. | (a) |
| 2 | RESONANCE POINT | (E) 69 MHz, 70 dBf (ANT INPUT) 1 kHz, 40 kHz DEV SUB, 10 kHz DEV Select : L or R | Connect a oscilloscope to TUNER OUT(CN6). | AUTO 69 MHz | TC 1 | Minimum crosstalk. | (a) |
| 3 | SEPARATION | (E) SAME AS ABOVE | Connect a oscilloscope to TUNER OUT(CN6). | AUTO 69 MHz | VR 1 | Minimum crosstalk. | (a) |

ADJUSTMENT



2. Test mode of CD player

2-1 Main unit

- (1) Setting of the test mode
While pressing the [PLAY/PAUSE] key, plug the AC power cord into AC outlet.
- (2) Canceling of the test mode
Press the [STOP] key on stop mode or unplug the AC power cord from AC wall outlet.

(3) Operation

| KEY | DISPLAY | OPERATION |
|--------------------------------------|---|---|
| PLAY/PAUSE + AC IN | CD 00 | <ul style="list-style-type: none"> SETTING OF THE TEST MODE CANCEL THE CLAMP TRAY 1/3 ROTATION TRAY OPENS AUTOMATICALLY |
| STOP ■ | CD 00 | <ul style="list-style-type: none"> TRAY CLOSE CANCEL THE CLAMP |
| PLAY/PAUSE ▶/ | CD 03 CD 05 | <ul style="list-style-type: none"> TRAY CLOSE/DISC CLAMP T-SERVO OFF(03) OR ON(05) |
| DISC SKIP | | <ul style="list-style-type: none"> TRAY 1/3 ROTATION |
| DISC 1 | 07 EF/FB | <ul style="list-style-type: none"> MECHANISM STOPS WHEN THE AUTOMATIC ADJUSTMENT IS FINISHED. |
| | 08 TG•FG 09 TE/RF 10 TE/VC | <ul style="list-style-type: none"> DISPLAY CHANGES CYCLICALLY IF NG, DISPLAY BLINKS UP |
| DISC 2 (RXD-V616 V818 V919) | * AUTO (OSD 2 ON) PAL (OSD OFF) NTSC (OSD 1 ON) (SCROLL DISPLAY) | <ul style="list-style-type: none"> VIDEO OUT CHANGE OVER DISPLAY CHANGES CYCLICALLY |

* OSD 2 ON : All display except TNO. of PBC PLAY

OSD 1 ON : Display except DISC NO. and T.NO.

OSD OFF : None display

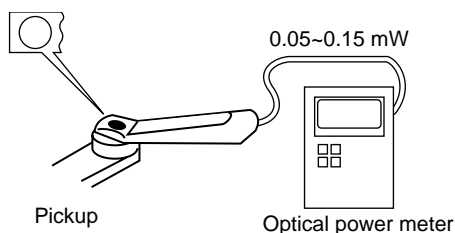
RXD-951/A700/A900/V616/V818/V919 ADJUSTMENT

3. Adjustment of CD player

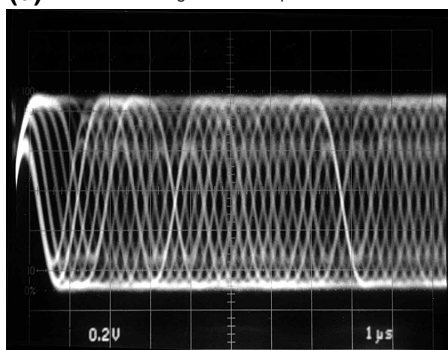
| No. | ITEM | INPUT SETTING | OUTPUT SETTING | PLAYER SETTING | ALIGNMENT POINT | ALIGN FOR | FIG. |
|--|---------------------|------------------|---|---|-----------------|--|------|
| Step 1,2 are in TEST MODE TEST MODE : While pressing the [PALY/PAUSE] key, plug the AC power cord into the AC outlet. | | | | | | | |
| 1 | LASER POWER | - | Set the sensor section of the optical power meter on the pickup lens. | Press the "PLAY" key to check that the display is "03". | - | On the power from 0.05 to 0.15mw. when the diffraction grating is correctly aligned with the RF level of 0.8Vp-p or more | (a) |
| 2 | FOCUS ERROR BALANCE | Test disc Type 4 | Connect an oscilloscope as follows. CH1 : RF(CN7 pin1) CH2 : FE(CN7 pin6) | Press the "PLAY" key. Confirm that the display is "05" | FE BALANCE VR1 | Optimum eye pattern | (d) |

Note:
 Type 4 disc : SONY YEDS-18 Test Disc or equivalent. (KTD-02)
 LPF : Around 47kΩ + 390pF or so.

(a) Laser Power



(d) RF signal : AC coupled



- RF signal in test mode (PLAY).
- Perform the tangential and focusing offset are focused into one point on the display. The crossing points above and below the center shall also be looked clearly.

4. Test mode of DECK section

(1) Setting

While pressing the PLAY key(DECK), plug the AC power cord into an AC power outlet.

(2) Resetting

- Disconnect the AC power cord from an AC power outlet or press the [ON/STANDBY] key.

(3) Operation in TEST mode

(a) Initial condition

| Item | Condition |
|--------------|--|
| Power | ON |
| Selector | TAPE |
| Main VOL. | -45dB(VOL45) |
| EX. bass | OFF |
| FL, LED, LCD | All the FLs are turned on for 10 seconds |

(b) 4-sec REC

If the REC key is pushed, the system record for 4sec. Then, it rewinds to the REC starting position and plays back automatically.

If the REC key is pushed during the 4-sec REC operation, the system records further for 4-sec, then returns to the starting position of the first 4-sec REC operation and plays back.

(c) Mechanism SW detection

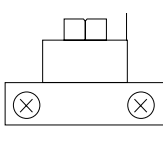
| SW | Display |
|----------------------|-----------------|
| B FWD REC Inhibit SW | CD Calendar (1) |
| B RVS REC Inhibit SW | CD Calendar (2) |
| A Pack SW | CD Calendar (3) |
| B Pack SW | CD Calendar (4) |

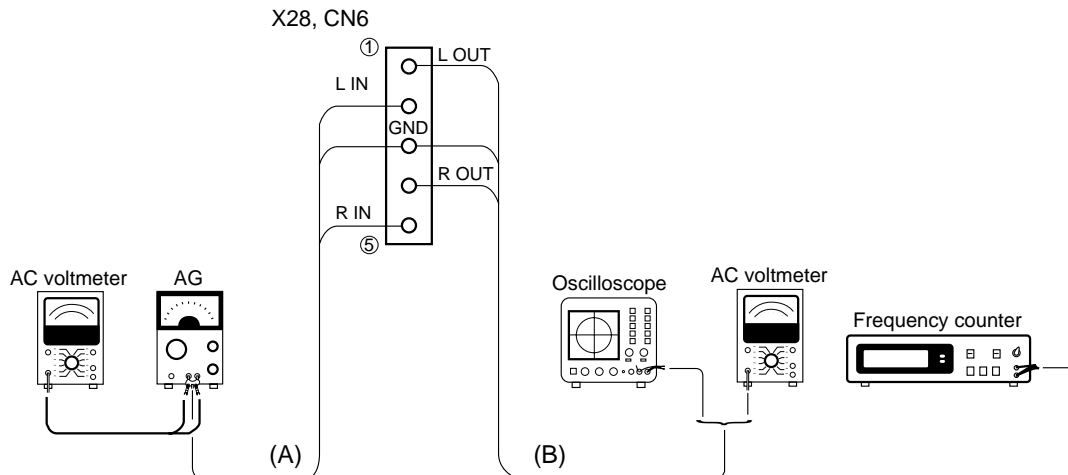
(d) Indication of A/B deck

| A/B key | Display |
|---------|---------|
| A deck | ECHO |
| B deck | SLEEP |

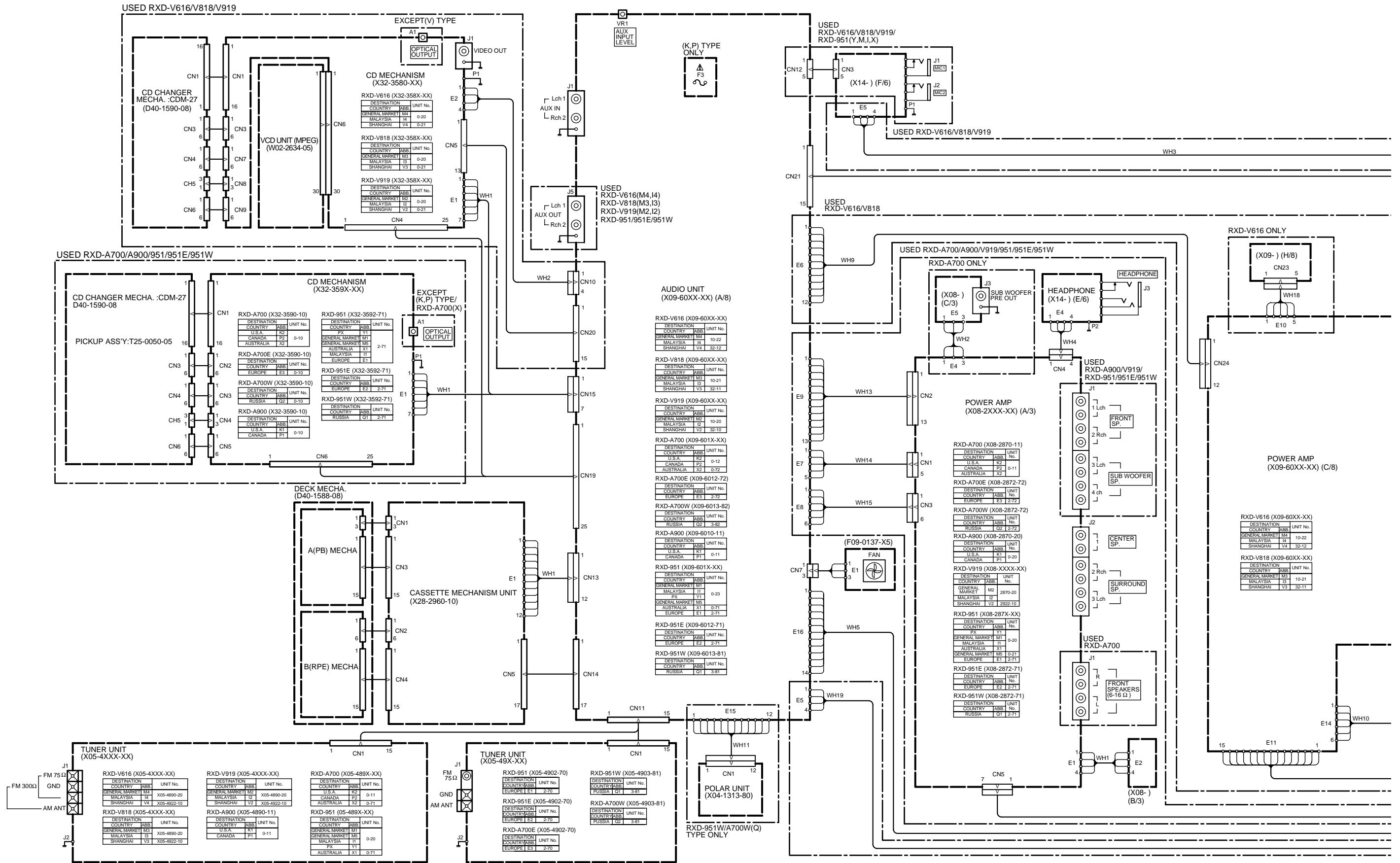
ADJUSTMENT

5. Cassette Deck adjustment

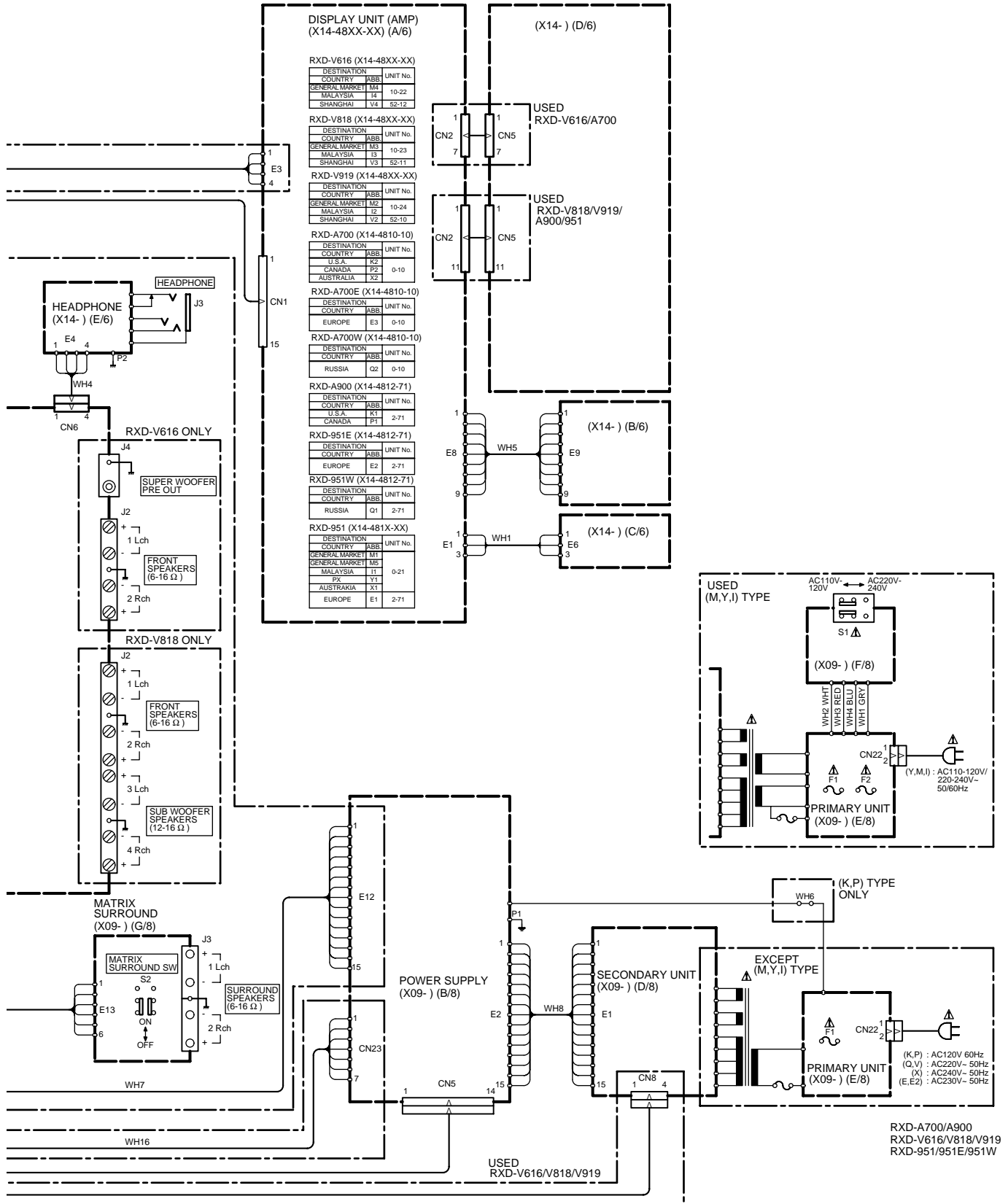
| No | ITEM | INPUT SETTING | OUTPUT SETTING | DECK SETTING | ALIGNMENT POINT | ALIGN FOR | FIG. |
|--|------------------------------|---|----------------|---|--|---|------|
| Unless otherwise specified, set the respective switches as follows: 0dBs=0.775V TAPE : NORMAL DOLBY : OFF PLAY OUT : Lch (X28,CN6 ①pin), Rch (X28,CN6 ④pin) I . Cassette mechanism unit (Adjustment of the REC / PLAY head) | | | | | | | |
| < 1 > | Demagnetization and cleaning | - | - | Power : OFF Demagnetization, cleaning, PLAY | Recording head, erase head, capstan pinch roller | Demagnetize the REC / PLAY head with the head eraser. Clean the REC / PLAY head, erase head, capstan and pinch roller using a cotton swab slightly damped with alcohol. | |
| < 2 > | Azimuth of the REC/PLAY head | TCC-153 MTT-114 10kHz, -10dB | (B) | PLAY |  FWD RVS | Adjust the output to maximum and adjust the azimuth adjustment screw for the Lissajours waveform pattern of the oscilloscope to become close to a 45° straight line. | |
| II . PC BOARD ADJUSTMENT | | | | | | | |
| < 1 > | TAPE SPEED(NORMAL) | TCC-110 MTT-111 SCC-1727 3kHz | (B) | PLAY | A DECK VR 5 B DECK VR 6 | Adjust the tape speed so that 3kHz is obtained at the center of the tape. | |
| III . PC BOARD ADJUSTMENT | | | | | | | |
| < 1 > | PLAYBACK LEVEL | MTT-150 400Hz | (B) | PLAY | A DECK VR 7 (L) VR 8 (R) B DECK VR 1 (L) VR 2 (R) | Adjust the playback output to -2.5dBs | |
| < 2 > | BIAS CURRENT | (A) Adjust the AG for the output of the DECK to become 400Hz (-20dB)/12.5kHz (-20dB) | (B) | REC ↕ PLAY | VR 3 (L) VR 4 (R) | Record 400Hz and 12.5kHz alternately, and adjust the bias current adjustment potentiometer for the playback levels to become the same. | |



WIRING DIAGRAM

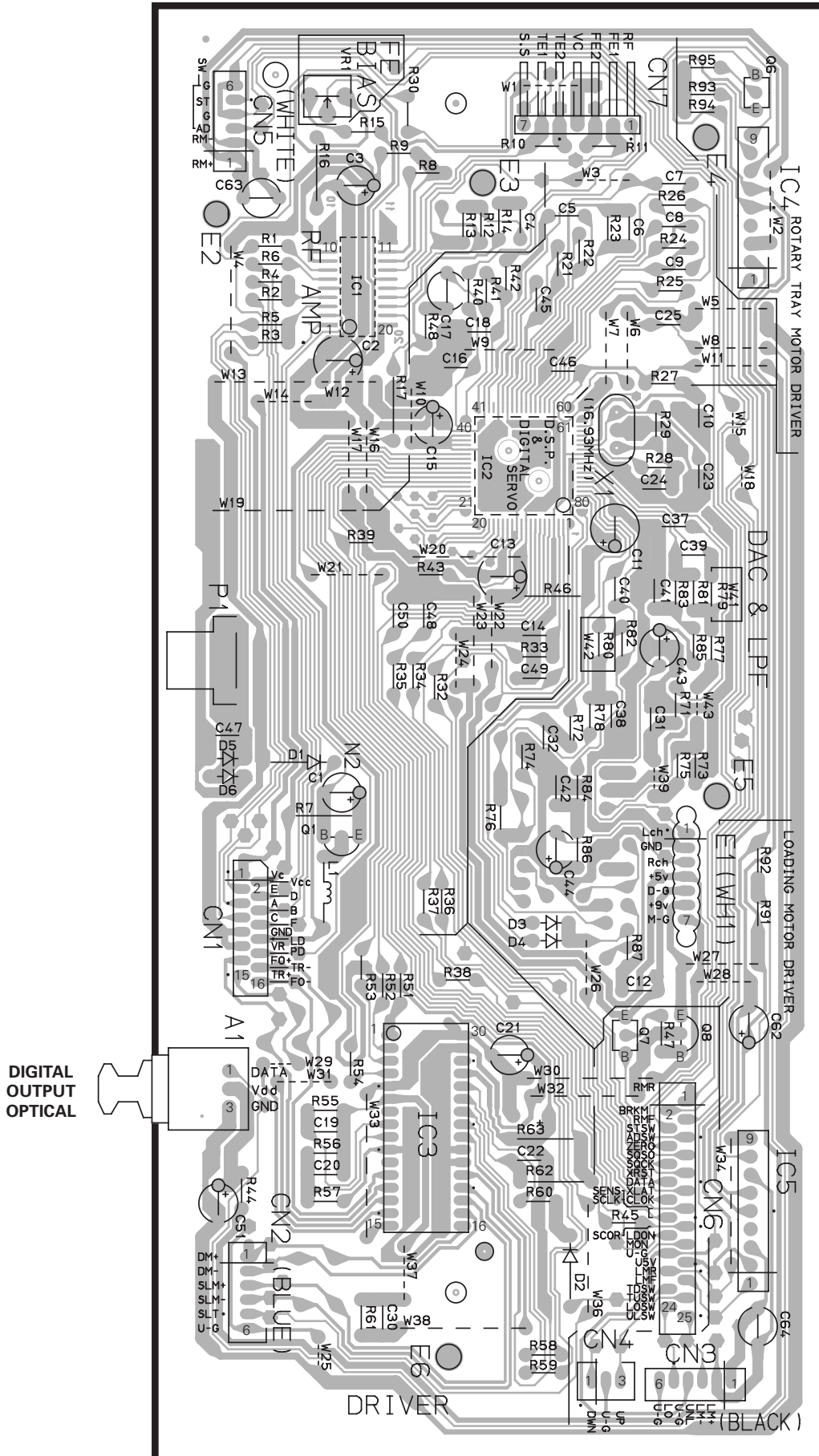


RXD-951/A700/A900/V616/V818/V919 WIRING DIAGRAM



PC BOARD (Component side view)

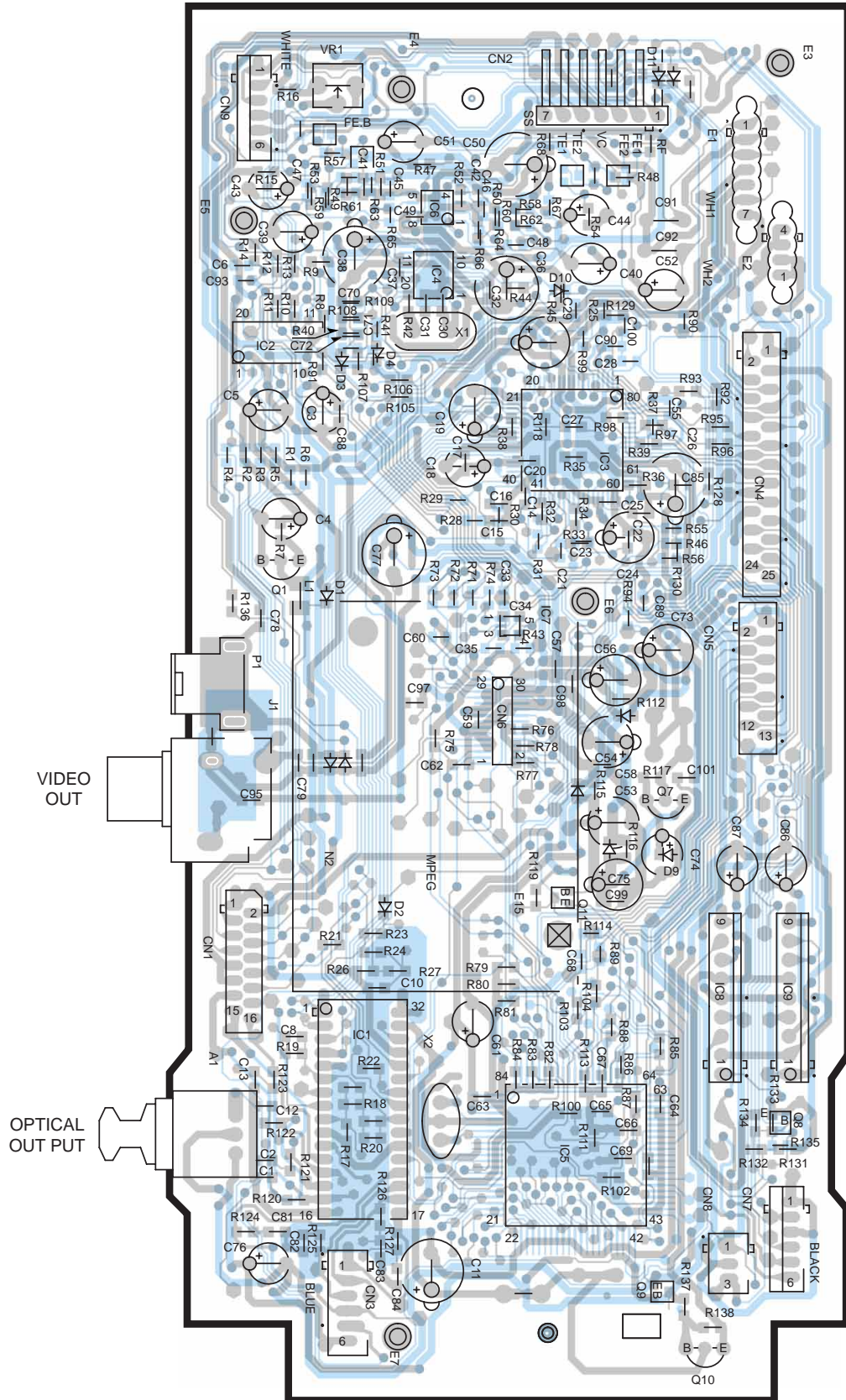
CD MECHANISM UNIT X32-359X-XX



Refer to the schematic diagram for the value of resistors and capacitors.

PC BOARD (Component side view)

CD MECHANISM UNIT X32-358X-XX

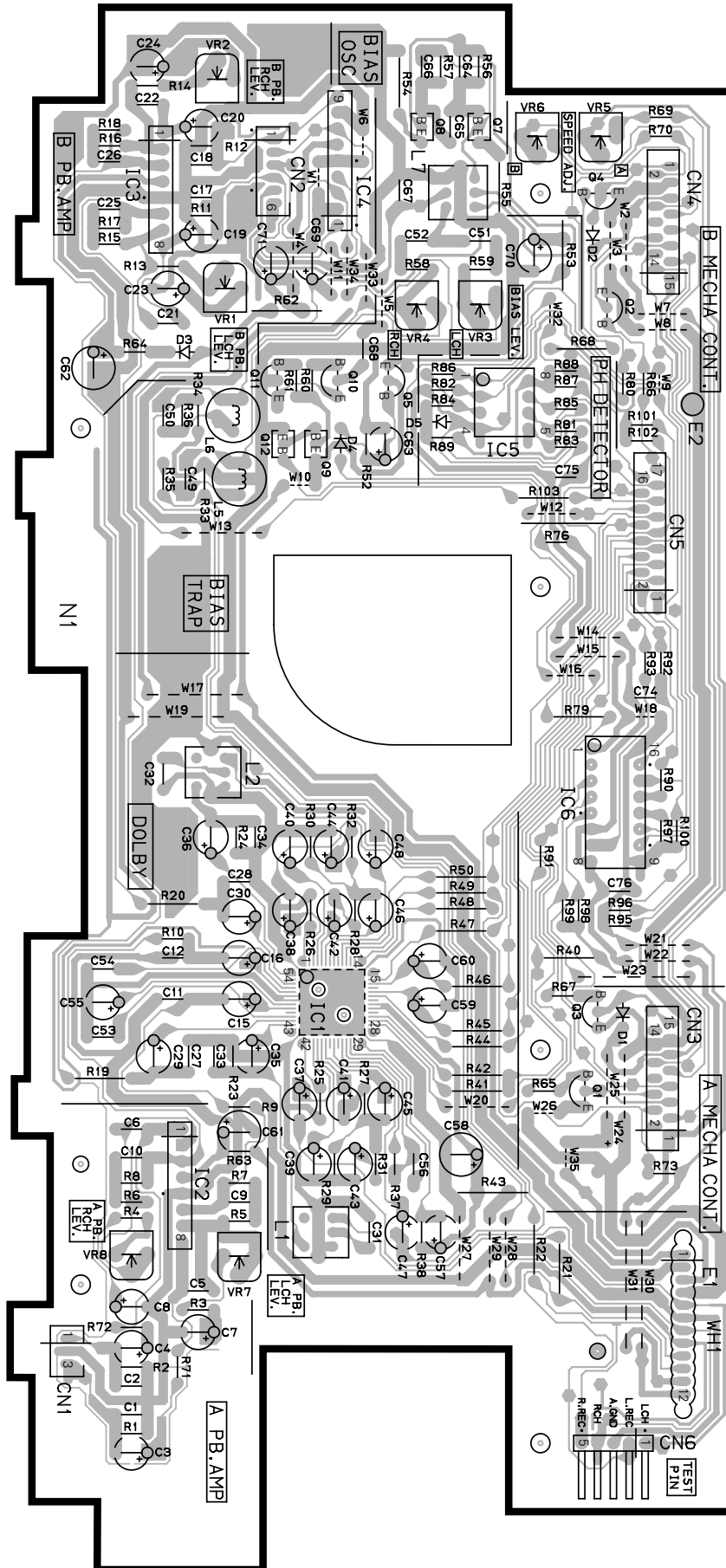


Refer to the schematic diagram for the value of resistors and capacitors.

PC BOARD (Component side view)

CASSETTE MECHANISM UNIT

X28-2960-10

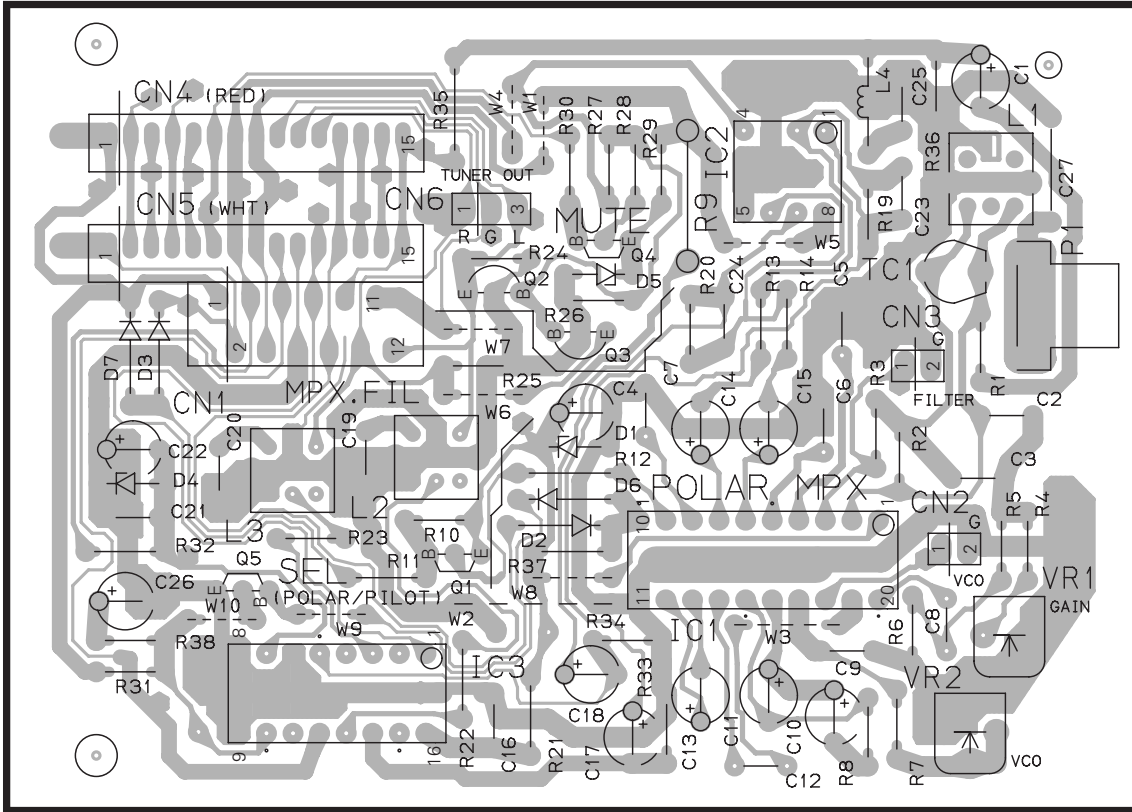


Refer to the schematic diagram for the value of resistors and capacitors.

PC BOARD (Component side view)

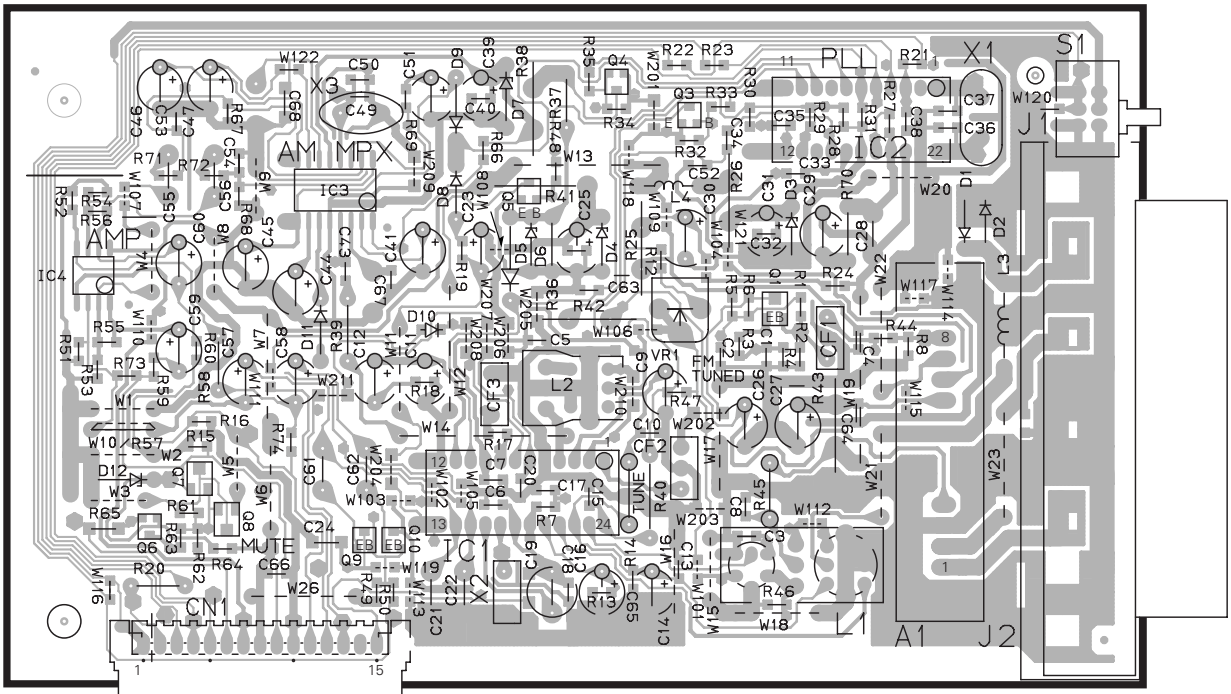
MPX UNIT

X04-1313-8X



TUNER UNIT

X05-4890-XX

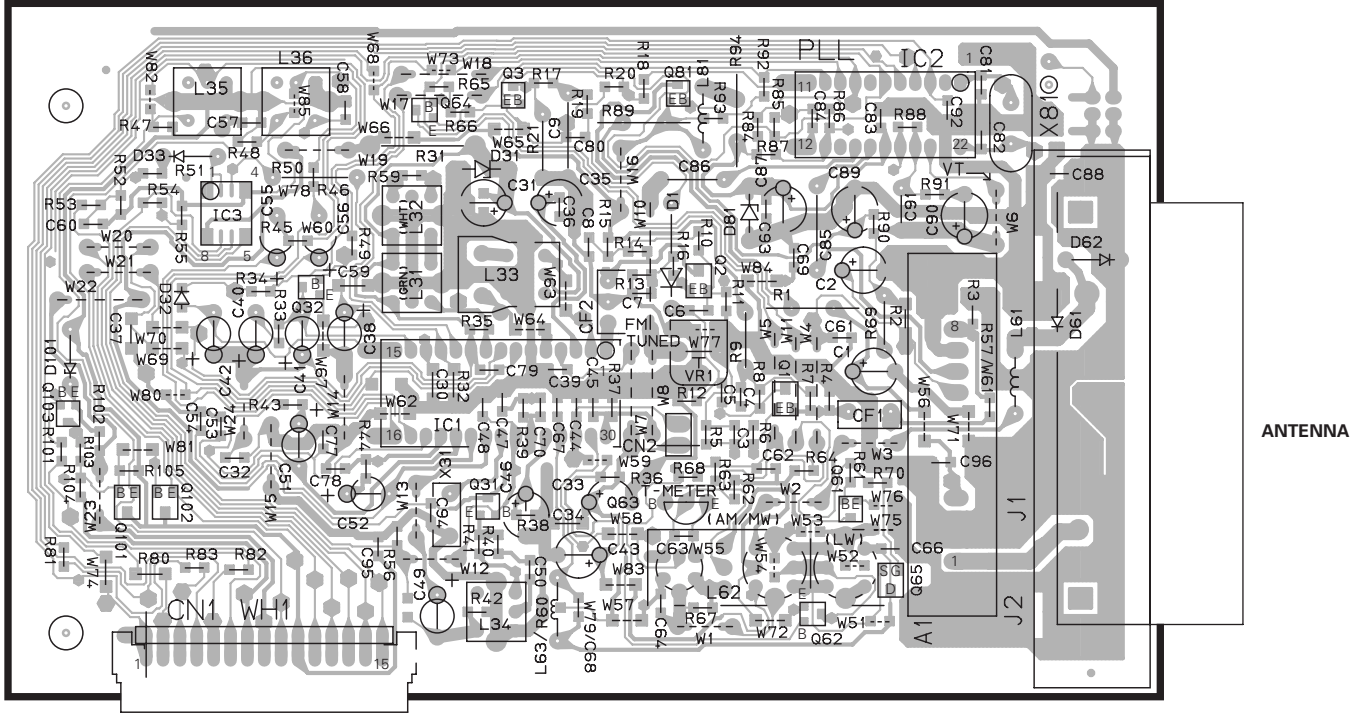


Refer to the schematic diagram for the value of resistors and capacitors.

PC BOARD (Component side view)

TUNER UNIT

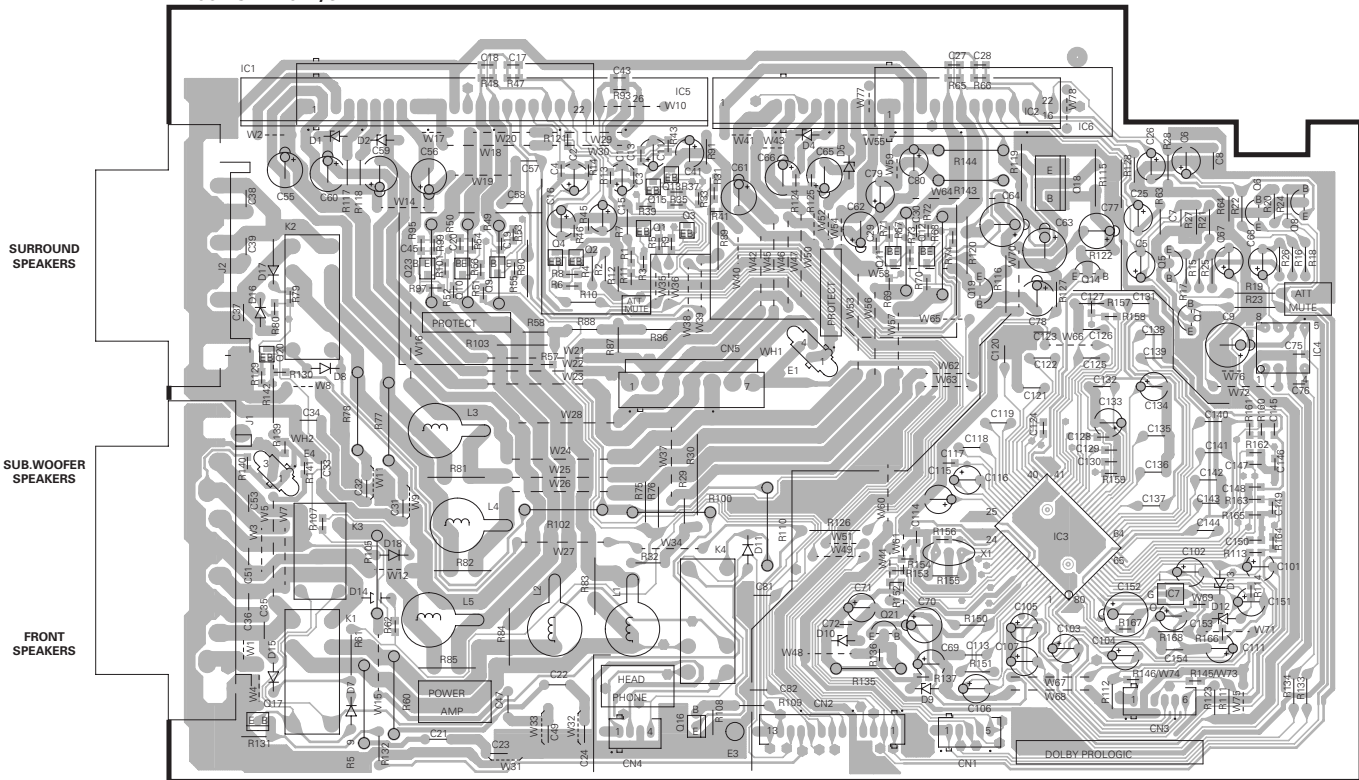
X05-490X-XX



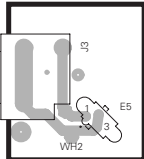
SURROUND UNIT

X08-287X-XX A/3

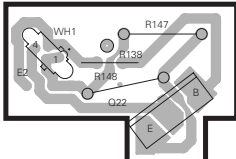
X08-2922-10 A/3



X08 C/3



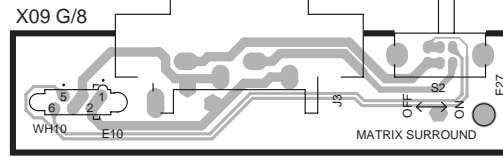
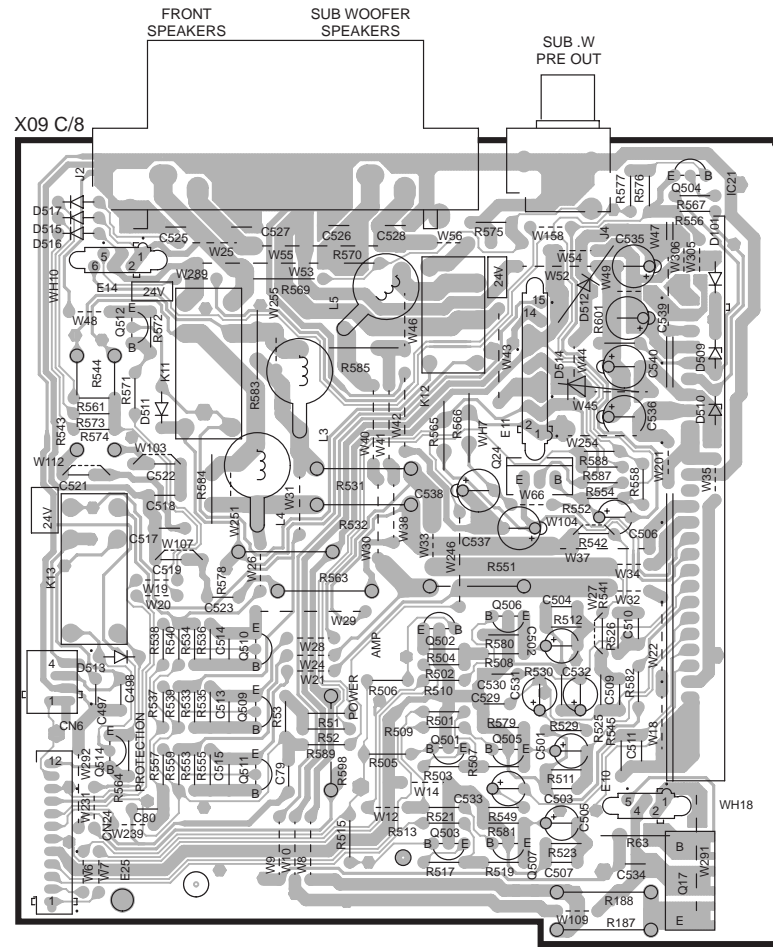
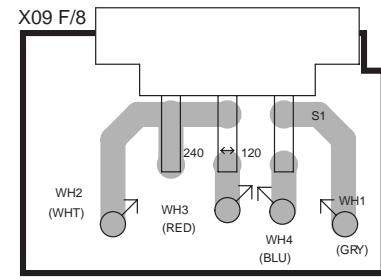
X08 B/3



SUBWOOFER PRE OUT

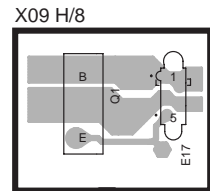
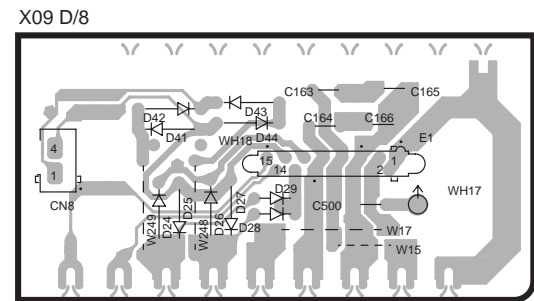
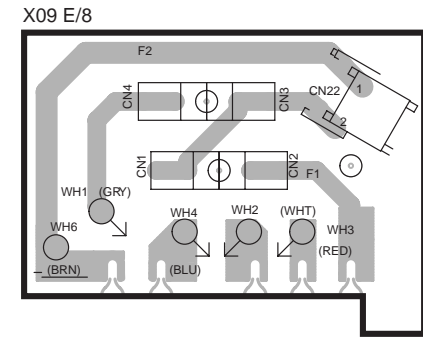
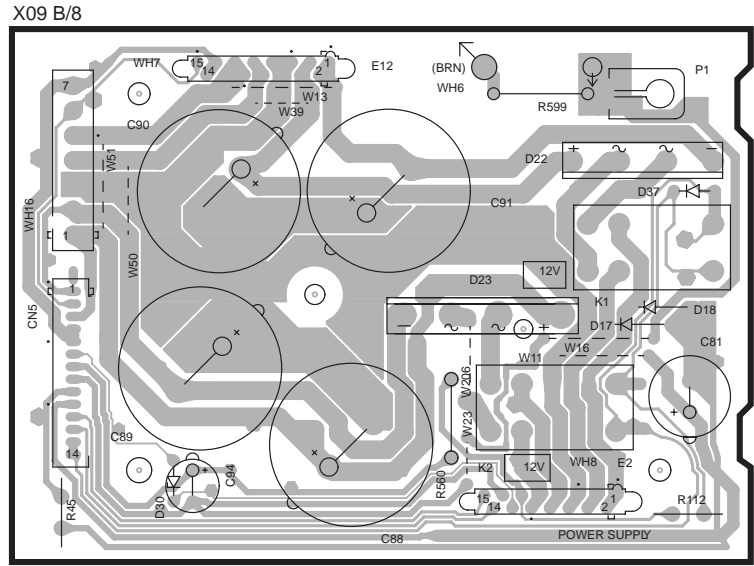
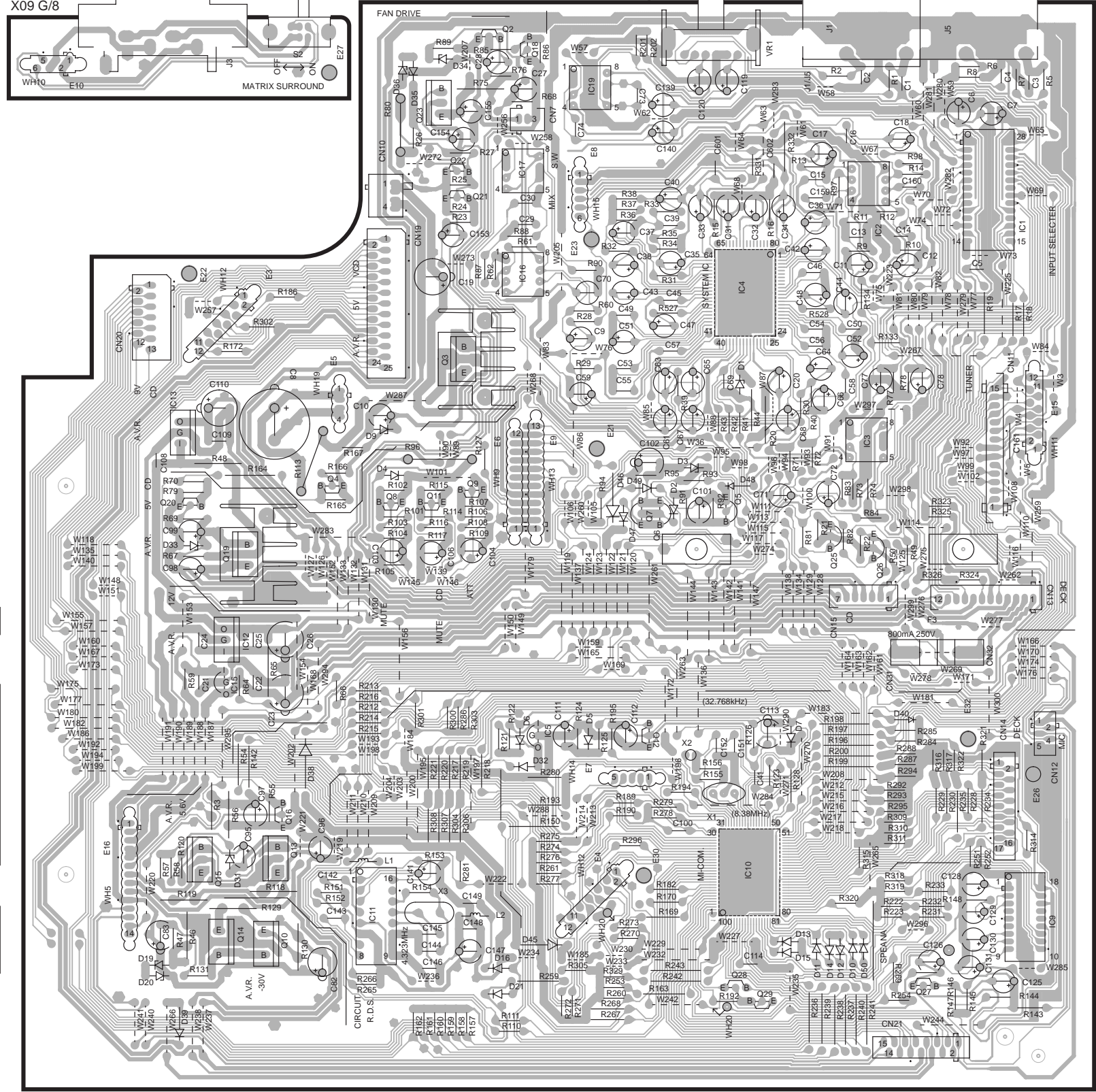
Refer to the schematic diagram for the value of resistors and capacitors.

PC BOARD(Component side view)



AUDIO UNIT

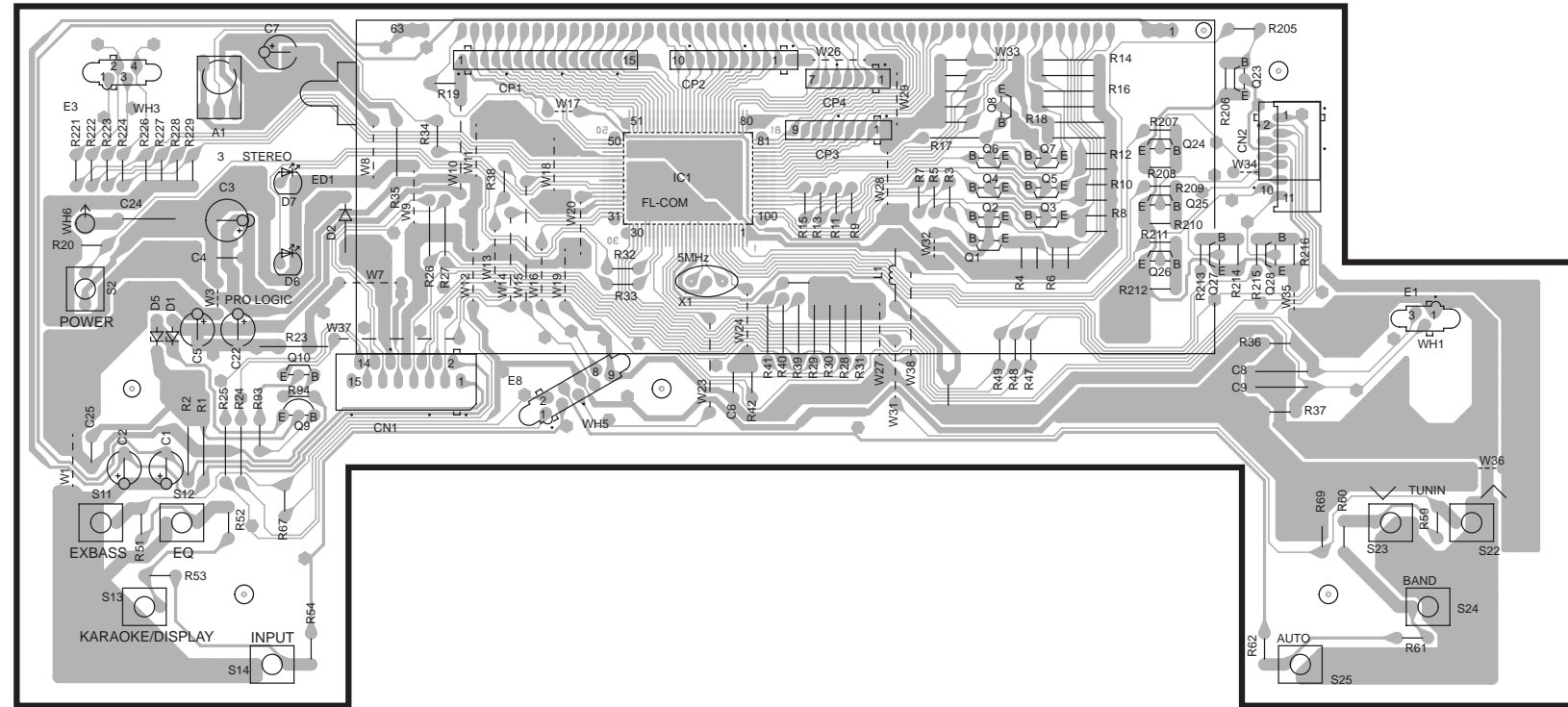
X09-601X-XX A/8



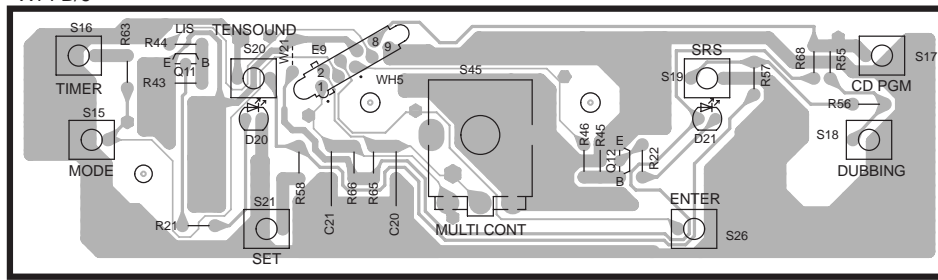
Refer to the schematic diagram for the value of resistors and capacitors.

PC BOARD(Component side view) DISPLAY UNIT

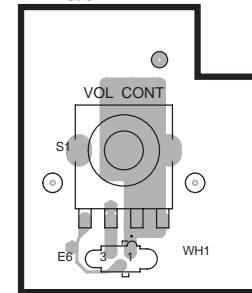
X14-481X-XX A/6



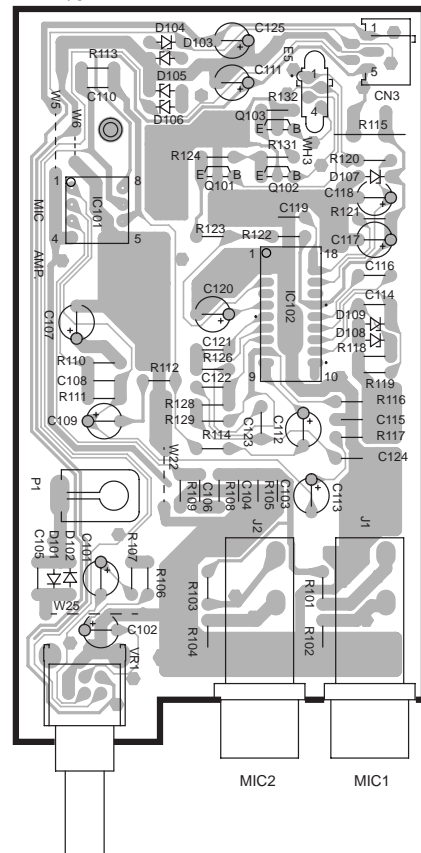
X14 B/6



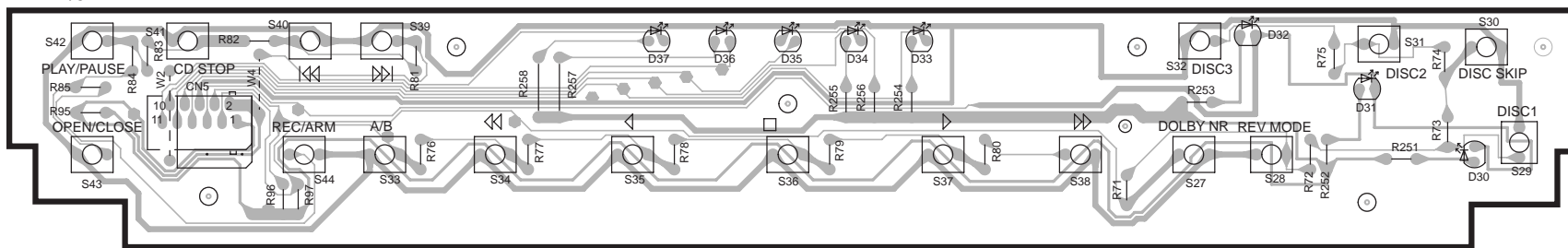
X14 C/6



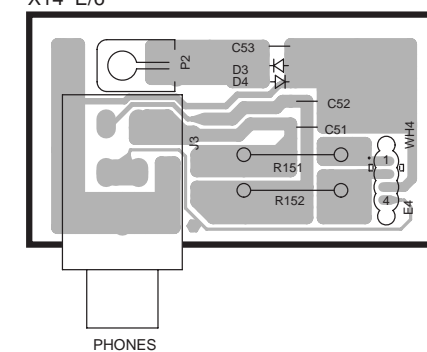
X14 F/6



X14 D/6



X14 E/6

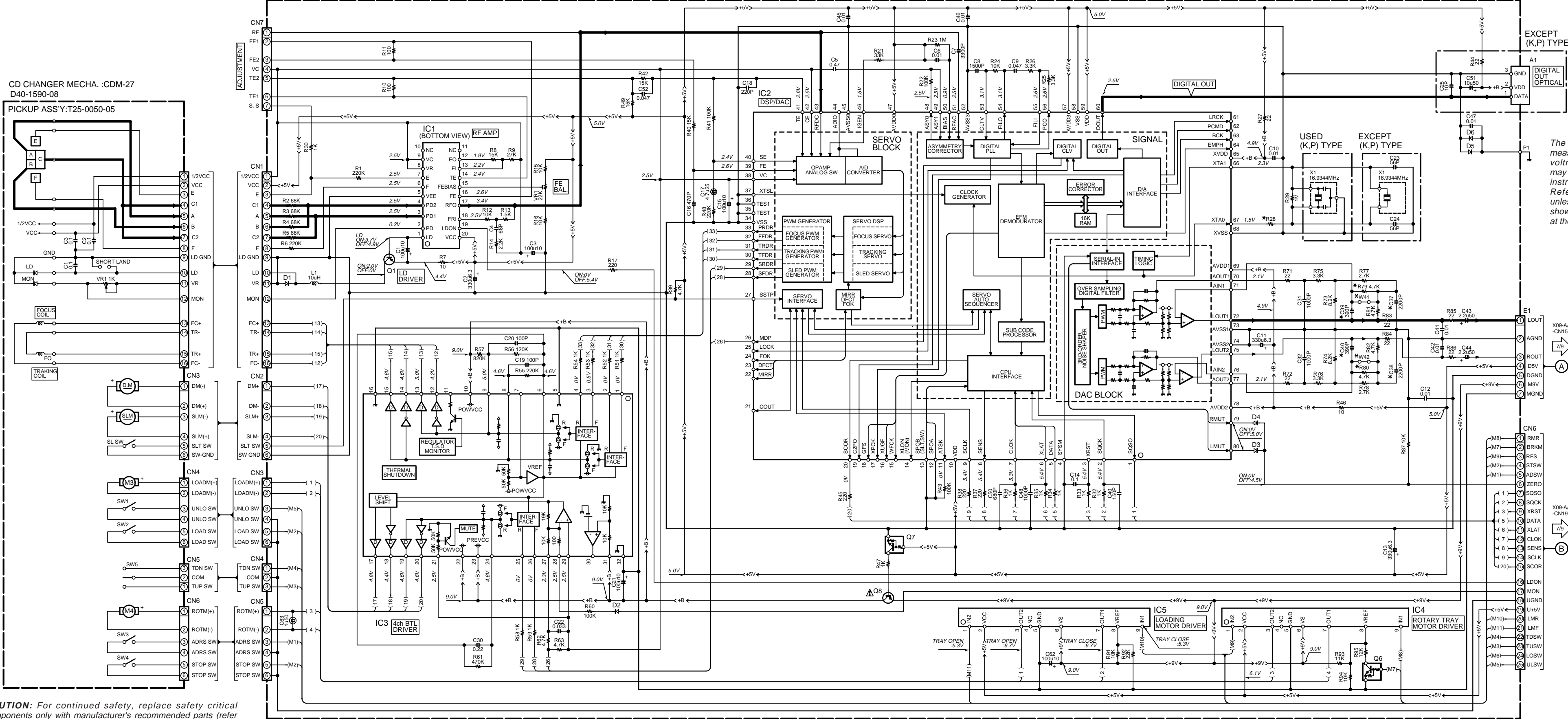


Refer to the schematic diagram for the value of resistors and capacitors.

CD CHANGER MECHA.: CDM-27
D40-1590-08

PICKUP ASS'Y: T25-0050-05

CD MECHANISM
(X32-359X-XX) 0-10: (K,P) TYPE 2-71: EXCEPT (K,P) TYPE



The DC voltage is an actual reading measured with a high impedance type voltmeter. The measurement value may vary depending on the measuring instruments used or on the product. Refer to the voltage during PLAY unless otherwise specified; The value shown in () is the voltage measured at the moment of STOP.

CAUTION: For continued safety, replace safety critical components only with manufacturer's recommended parts (refer to parts list). Δ indicates safety critical components. For continued protection against risk of fire, replace only with same type and rating fuse(s). To reduce the risk of electric shock, leakage-current or resistance measurements shall be carried out (exposed parts are acceptably insulated from the supply circuit) before the appliance is returned to the customer.

IC1 : CX14571M
IC2 : CXD2587Q
IC3 : BA5979S
IC4,5 : TA8409S

Q1 : 2SA954(L,K)
Q6,7 : DTC124ESA or UN4212
Q8 : 2SB764(E,F)
D1-6 : 1SS133 or HSS104A

RXD-A700 (X32-3590-10)

| DESTINATION | UNIT No. | C23,24 | R28 | R79 | W41 |
|-------------|----------|--------|-----|-----|-----|
| COUNTRY | ABB | 37-40 | | 80 | 42 |
| U.S.A. | K2 | | | | |
| CANADA | P2 | 0-10 | NO | 390 | NO |
| AUSTRALIA | X2 | | | | |

RXD-A900 (X32-3590-10)

| DESTINATION | UNIT No. | C23,24 | R28 | R79 | W41 |
|-------------|----------|--------|-----|-----|-----|
| COUNTRY | ABB | 37-40 | | 80 | 42 |
| U.S.A. | K1 | | | | |
| CANADA | P1 | 0-10 | NO | 390 | NO |

RXD-A700E (X32-3590-10)

| DESTINATION | UNIT No. | C23,24 | R28 | R79 | W41 |
|-------------|----------|--------|-----|-----|-----|
| COUNTRY | ABB | 37-40 | | 80 | 42 |
| U.S.A. | K2 | | | | |
| EUROPE | E3 | 0-10 | NO | 390 | NO |

RXD-A700W (X32-3590-10)

| DESTINATION | UNIT No. | C23,24 | R28 | R79 | W41 |
|-------------|----------|--------|-----|-----|-----|
| COUNTRY | ABB | 37-40 | | 80 | 42 |
| RUSSIA | O2 | 0-10 | NO | 390 | NO |

RXD-951 (X32-3592-71)

| DESTINATION | UNIT No. | C23,24 | R28 | R79 | W41 |
|-------------|----------|--------|-----|-----|-----|
| COUNTRY | ABB | 37-40 | | 80 | 42 |
| U.S.A. | K2 | | | | |
| EUROPE | E3 | 0-10 | NO | 390 | NO |

RXD-951W (X32-3592-71)

| DESTINATION | UNIT No. | C23,24 | R28 | R79 | W41 |
|-------------|----------|--------|-----|-----|-----|
| COUNTRY | ABB | 37-40 | | 80 | 42 |
| RUSSIA | O1 | 2-71 | YES | 680 | YES |

RXD-951E (X32-3592-71)

| DESTINATION | UNIT No. | C23,24 | R28 | R79 | W41 |
|-------------|----------|--------|-----|-----|-----|
| COUNTRY | ABB | 37-40 | | 80 | 42 |
| U.S.A. | K2 | | | | |
| EUROPE | E2 | 2-71 | YES | 680 | YES |

RXD-951W (X32-3592-71)

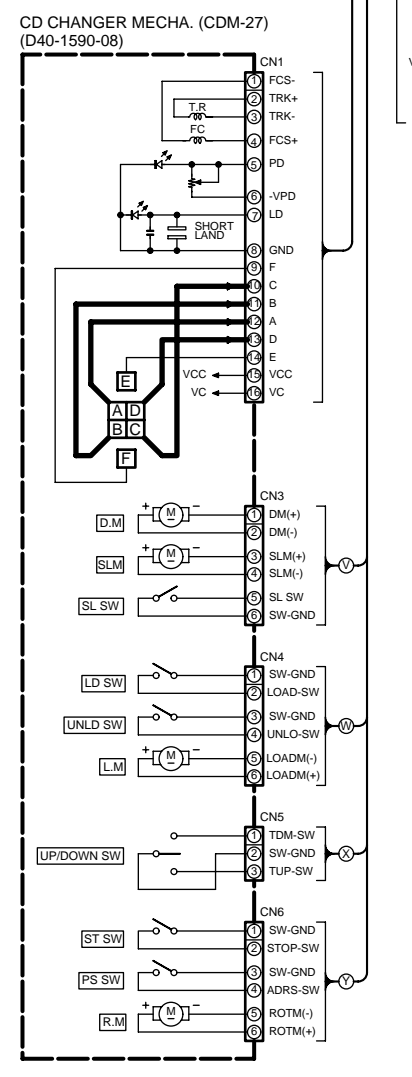
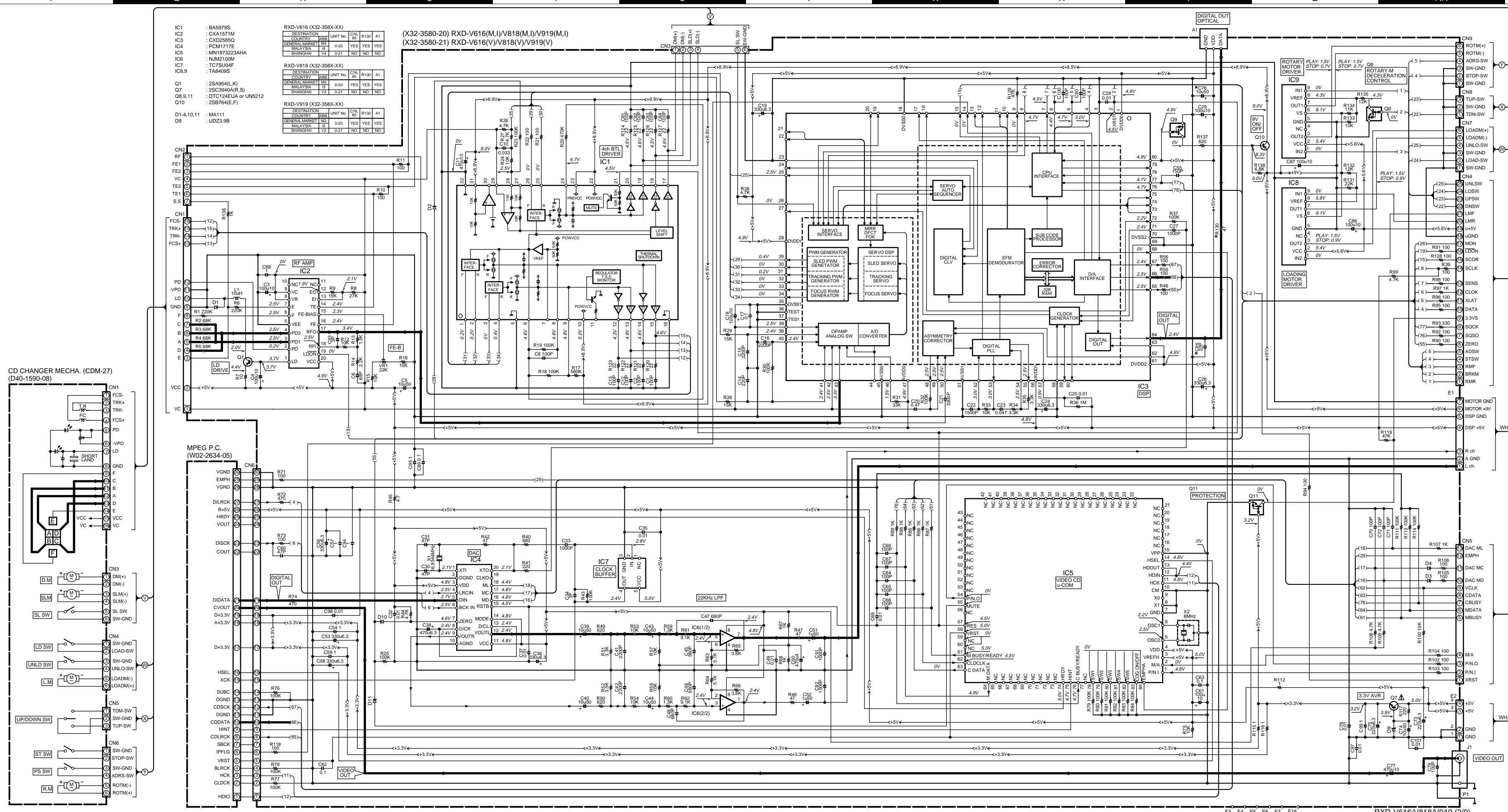
| DESTINATION | UNIT No. | C23,24 | R28 | R79 | W41 |
|-------------|----------|--------|-----|-----|-----|
| COUNTRY | ABB | 37-40 | | 80 | 42 |
| RUSSIA | O1 | 2-71 | YES | 680 | YES |

RXD-A700/A900(K) (1/9)
RXD-V616/V818/V919(E) (1/9)
RXD-951/951E/951W(E) (1/9)

RXD-951/A700/A900/V616/V818/V919

Y39-2950-10

KENWOOD



| IC1 | BA5979S |
|------------|---------------------|
| IC2 | CA14571M |
| IC3 | CA20566Q |
| IC4 | PCM1717E |
| IC5 | MN187323AHA |
| IC6 | NJM2100M |
| IC7 | TC78104F |
| IC8,9 | TAB409S |
| Q1 | 2SA954(L,K) |
| Q7 | 2SC3904(R,S) |
| Q8,9,11 | DTC124EUA or UN5212 |
| Q10 | 2SB764(E,F) |
| D1-4,10,11 | MA111 |
| D9 | UDZ3.9B |

| RXD-V616 (X32-358X-XX) | | UNIT No. | C76 | R130 | A1 |
|------------------------|-----------|----------|------|------|-----|
| DESTINATION | CHINA | 85 | 0-20 | YES | YES |
| GENERAL MARKET | CHINA | 85 | 0-20 | YES | YES |
| DESTINATION | INDONESIA | 85 | 0-20 | YES | YES |
| GENERAL MARKET | INDONESIA | 85 | 0-20 | YES | YES |
| DESTINATION | THAILAND | 85 | 0-20 | YES | YES |
| GENERAL MARKET | THAILAND | 85 | 0-20 | YES | YES |

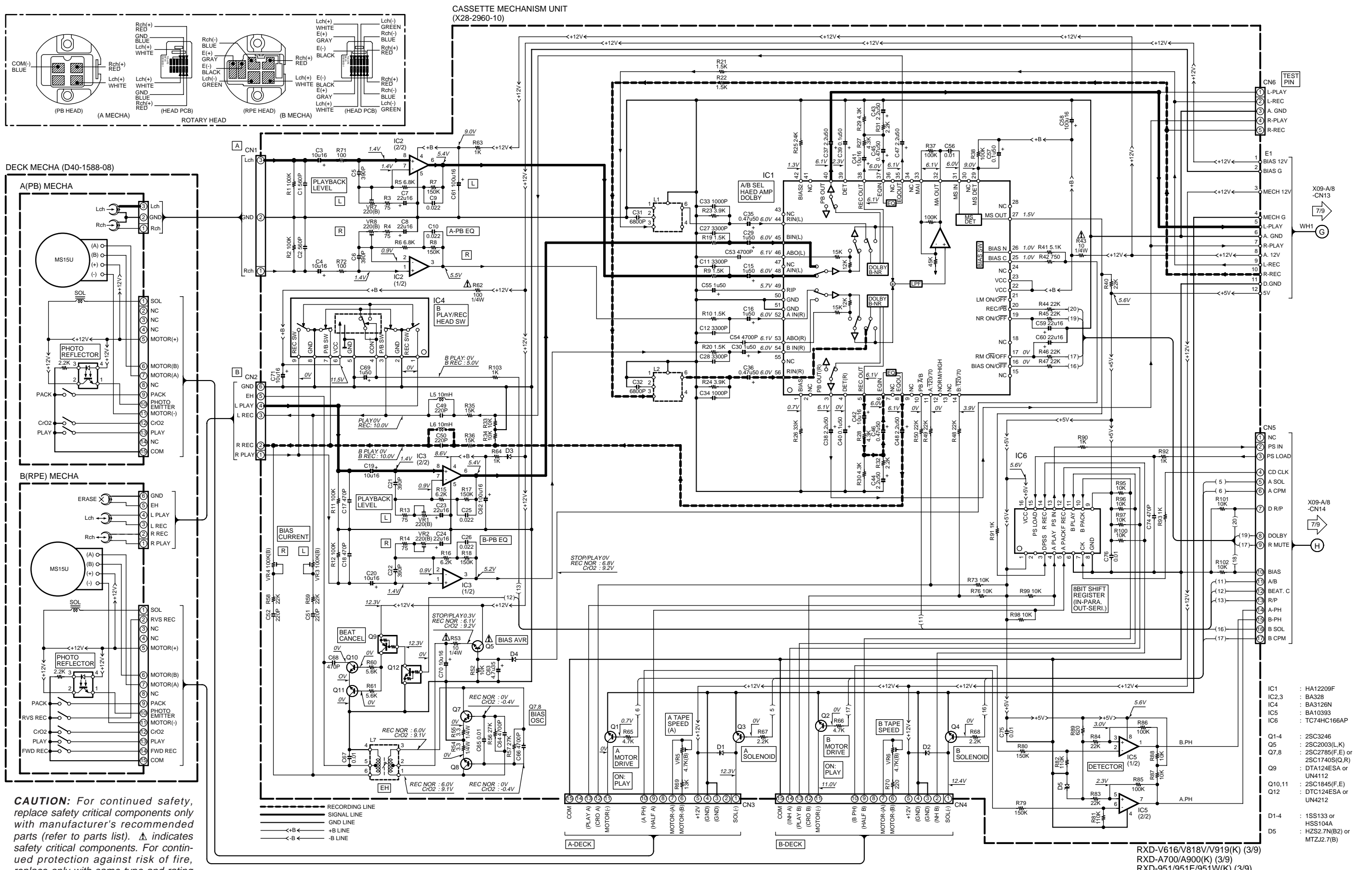
| RXD-V818 (X32-358X-XX) | | UNIT No. | C76 | R130 | A1 |
|------------------------|-----------|----------|------|------|-----|
| DESTINATION | CHINA | 85 | 0-20 | YES | YES |
| GENERAL MARKET | CHINA | 85 | 0-20 | YES | YES |
| DESTINATION | INDONESIA | 85 | 0-20 | YES | YES |
| GENERAL MARKET | INDONESIA | 85 | 0-20 | YES | YES |
| DESTINATION | THAILAND | 85 | 0-20 | YES | YES |
| GENERAL MARKET | THAILAND | 85 | 0-20 | YES | YES |

| RXD-V919 (X32-358X-XX) | | UNIT No. | C76 | R130 | A1 |
|------------------------|-----------|----------|------|------|-----|
| DESTINATION | CHINA | 85 | 0-20 | YES | YES |
| GENERAL MARKET | CHINA | 85 | 0-20 | YES | YES |
| DESTINATION | INDONESIA | 85 | 0-20 | YES | YES |
| GENERAL MARKET | INDONESIA | 85 | 0-20 | YES | YES |
| DESTINATION | THAILAND | 85 | 0-20 | YES | YES |
| GENERAL MARKET | THAILAND | 85 | 0-20 | YES | YES |

CAUTION: For continued safety, replace safety critical components only with manufacturer's recommended parts (refer to parts list). Δ indicates safety critical components. For continued protection against risk of fire, replace only with same type and rating fuse(s). To reduce the risk of electric shock, leakage-current or resistance measurements shall be carried out (exposed parts are acceptably insulated from the supply circuit) before the appliance is returned to the customer.

The DC voltage is an actual reading measured with a high impedance type voltmeter. The measurement value may vary depending on the measuring instruments used or on the product. Refer to the voltage during PLAY unless otherwise specified; The value shown in () is the voltage measured at the moment of STOP.

RXD-951/A700/A900/V616/V818/V919



CAUTION: For continued safety, replace safety critical components only with manufacturer's recommended parts (refer to parts list). Δ indicates safety critical components. For continued protection against risk of fire, replace only with same type and rating fuse(s). To reduce the risk of electric shock, leakage-current or resistance measurements shall be carried out (exposed parts are acceptably insulated from the supply circuit) before the appliance is returned to the customer.

The DC voltage is an actual reading measured with a high impedance type voltmeter. The measurement value may vary depending on the measuring instruments used or on the product. Refer to the voltage during PLAY unless otherwise specified; The value shown in () is the voltage measured at the moment of STOP.

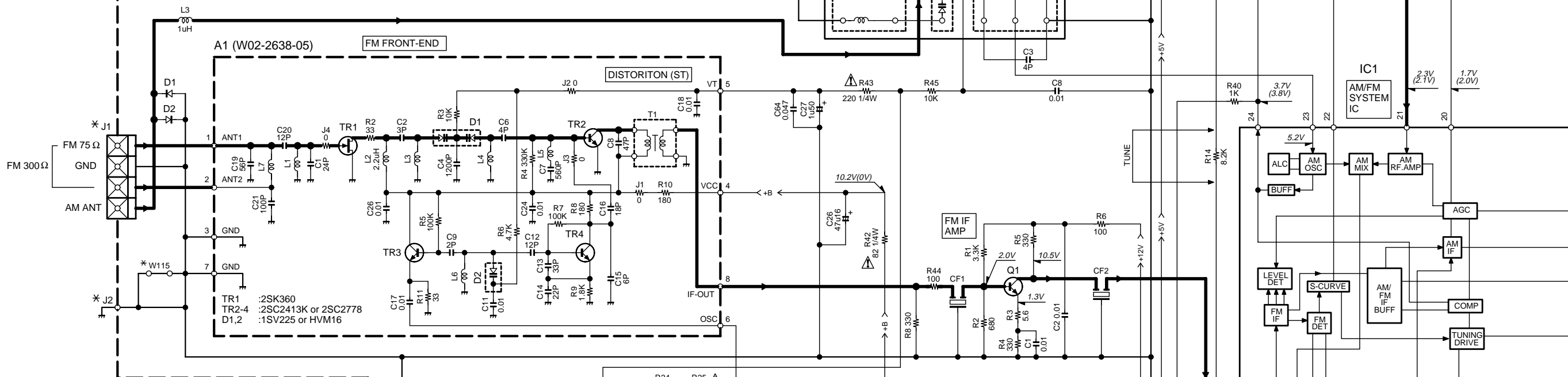
DOLBY and the double-D symbol are trademarks of Dolby Laboratories Licensing Corporation. Noise reduction circuit made under license from Dolby Laboratories Licensing Corporation.

RXD-951/A700/A900/V616/V818/V919

TUNER AP
 (X05-4890-XX) RXD-V616/V818/V919(M,I) RXD-A700/(K,P,X) RXD-A900(K,P) RXD-951(M,M5,I,Y,X)
 (X05-4922-10) RXD-V616/V818/V919(V)

The DC voltage is an actual reading measured with a high impedance type voltmeter as the AM/FM signal generator is specified to the conditions as shown in the list below. The measurement value may vary depending on the measuring instruments used or on the product. The value shown in () is actual reading measured in the AM mode.

| MODE | CARRIER | MODULATION | | ANT INPUT |
|------|--------------|------------|------------------------------|-----------|
| | | FREQUENCY | DEVIATION | |
| FM | 98MHz | 1kHz | STEREO 67.5kHz 7.5kHz(Pilot) | 60dB |
| AM | 1000(999)kHz | 400Hz | MONO 30% MOD | 60dB |



CAUTION: For continued safety, replace safety critical components only with manufacturer's recommended parts (refer to parts list). Δ indicates safety critical components. For continued protection against risk of fire, replace only with same type and rating fuse(s). To reduce the risk of electric shock, leakage-current or resistance measurements shall be carried out (exposed parts are acceptably insulated from the supply circuit) before the appliance is returned to the customer.

| RXD-V616 (X05-4XXX-XX) | | | | | | |
|------------------------|------|-------------|-----|---------|---------------|--|
| DESTINATION COUNTRY | ABB. | UNIT No. | © | C21, 22 | W115, 116,119 | J1 J2 |
| GENERAL MARKET | M4 | X05-4890-20 | YES | 0.012 | YES | E20-0476-05 or E70-0051-05 F10-0945-04 |
| MALAYSIA | I4 | X05-4890-20 | YES | 0.012 | YES | E20-0476-05 or E70-0051-05 F10-0945-04 |
| SHANGHAI | V4 | X05-4922-10 | NO | 0.018 | NO | E70-0079-05 F10-1074-04 |

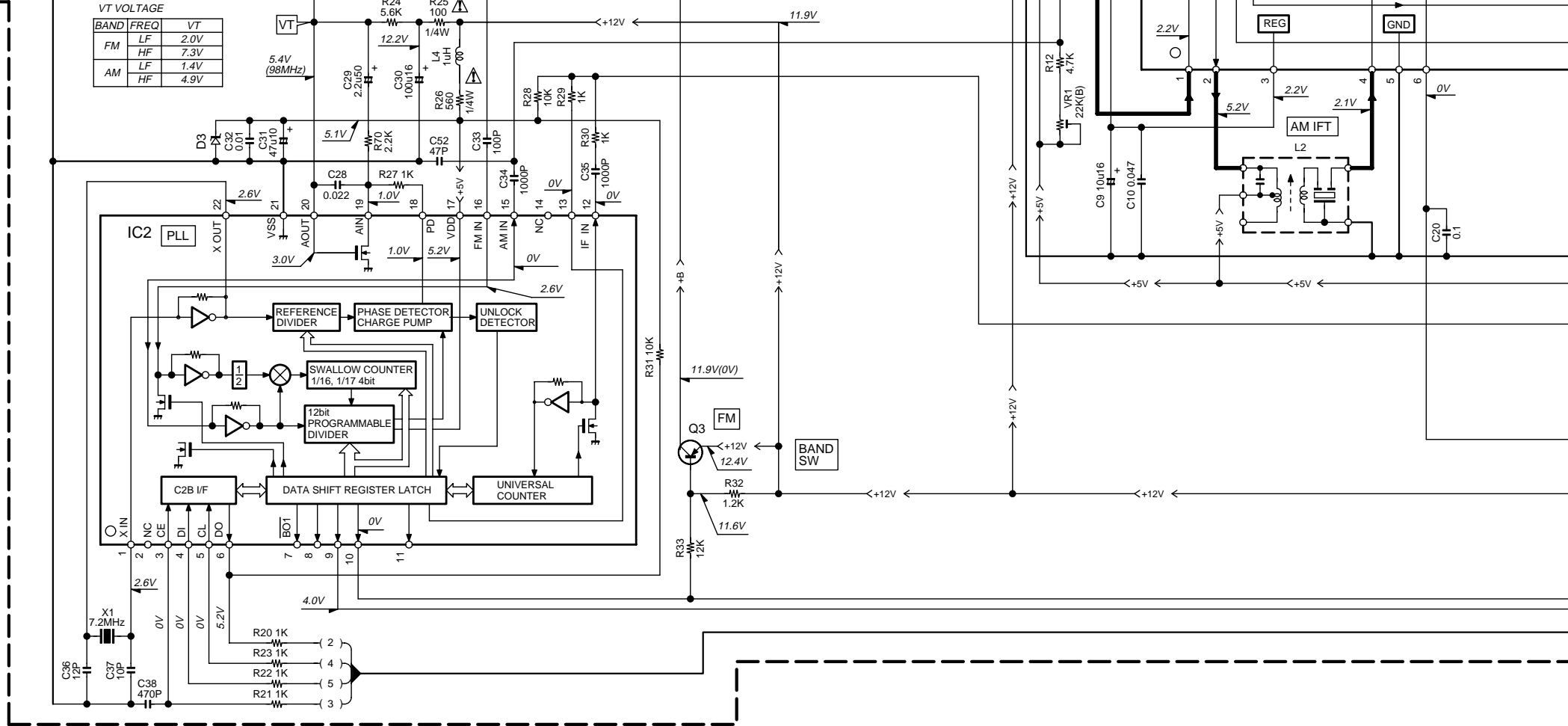
| RXD-V818 (X05-4XXX-XX) | | | | | | |
|------------------------|------|-------------|-----|---------|---------------|--|
| DESTINATION COUNTRY | ABB. | UNIT No. | © | C21, 22 | W115, 116,119 | J1 J2 |
| GENERAL MARKET | M3 | X05-4890-20 | YES | 0.012 | YES | E20-0476-05 or E70-0051-05 F10-0945-04 |
| MALAYSIA | I3 | X05-4890-20 | YES | 0.012 | YES | E20-0476-05 or E70-0051-05 F10-0945-04 |
| SHANGHAI | V3 | X05-4922-10 | NO | 0.018 | NO | E70-0079-05 F10-1074-04 |

| RXD-V919 (X05-4XXX-XX) | | | | | | |
|------------------------|------|-------------|-----|---------|---------------|--|
| DESTINATION COUNTRY | ABB. | UNIT No. | © | C21, 22 | W115, 116,119 | J1 J2 |
| GENERAL MARKET | M2 | X05-4890-20 | YES | 0.012 | YES | E20-0476-05 or E70-0051-05 F10-0945-04 |
| MALAYSIA | I2 | X05-4890-20 | YES | 0.012 | YES | E20-0476-05 or E70-0051-05 F10-0945-04 |
| SHANGHAI | V2 | X05-4922-10 | NO | 0.018 | NO | E70-0079-05 F10-1074-04 |

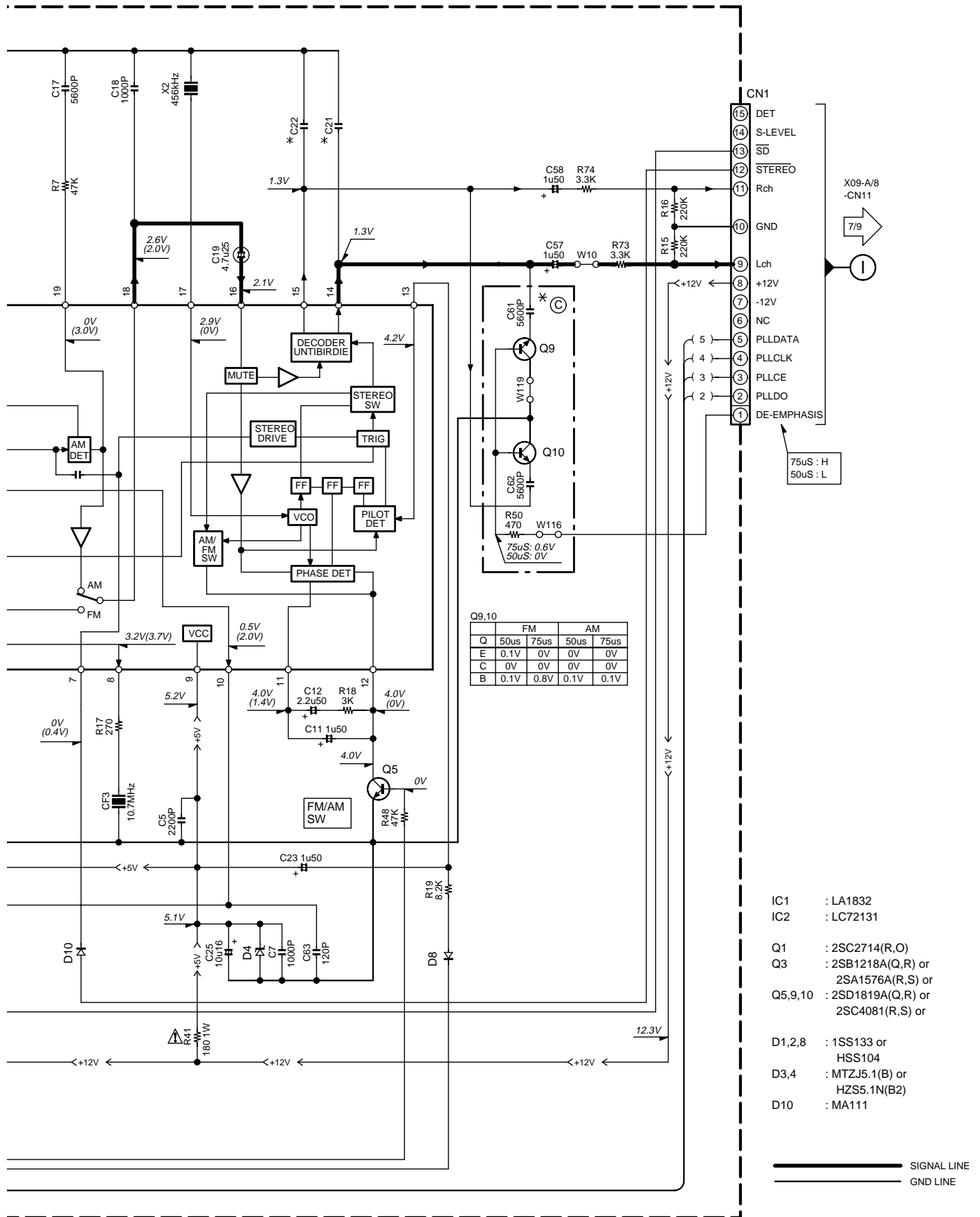
| RXD-A900 (X05-4890-11) | | | | | | |
|------------------------|------|----------|----|---------|---------------|--|
| DESTINATION COUNTRY | ABB. | UNIT No. | © | C21, 22 | W115, 116,119 | J1 J2 |
| U.S.A. | K1 | 0-11 | NO | 0.018 | NO | E20-0476-05 or E70-0051-05 F10-0945-04 |
| CANADA | P1 | 0-11 | NO | 0.018 | NO | E20-0476-05 or E70-0051-05 F10-0945-04 |

| RXD-A700 (X05-489X-XX) | | | | | | |
|------------------------|------|----------|----|---------|---------------|--|
| DESTINATION COUNTRY | ABB. | UNIT No. | © | C21, 22 | W115, 116,119 | J1 J2 |
| U.S.A. | K2 | 0-11 | NO | 0.018 | NO | E20-0476-05 or E70-0051-05 F10-0945-04 |
| CANADA | P2 | 0-11 | NO | 0.018 | NO | E20-0476-05 or E70-0051-05 F10-0945-04 |
| AUSTRALIA | X2 | 0-71 | NO | 0.012 | NO | E20-0476-05 or E70-0051-05 F10-0945-04 |

| RXD-951 (05-489X-XX) | | | | | | |
|----------------------|------|----------|-----|---------|---------------|--|
| DESTINATION COUNTRY | ABB. | UNIT No. | © | C21, 22 | W115, 116,119 | J1 J2 |
| GENERAL MARKET | M1 | 0-20 | YES | 0.012 | YES | E20-0476-05 or E70-0051-05 F10-0945-04 |
| MALAYSIA | I1 | 0-20 | YES | 0.012 | YES | E20-0476-05 or E70-0051-05 F10-0945-04 |
| PX | Y1 | 0-20 | YES | 0.012 | YES | E20-0476-05 or E70-0051-05 F10-0945-04 |
| AUSTRALIA | X1 | 0-71 | NO | 0.012 | NO | E20-0476-05 or E70-0051-05 F10-0945-04 |



| BAND | FREQ | VT |
|------|------|------|
| FM | LF | 2.0V |
| | HF | 7.3V |
| AM | LF | 1.4V |
| | HF | 4.9V |



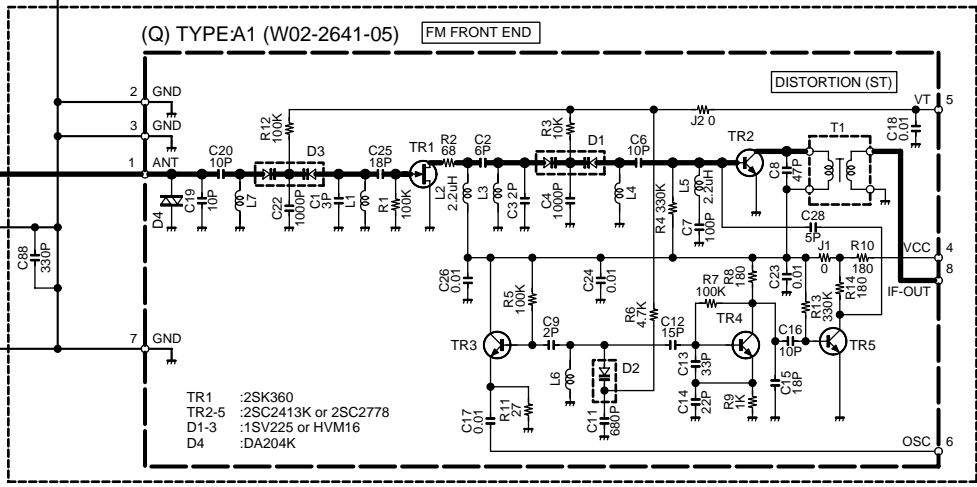
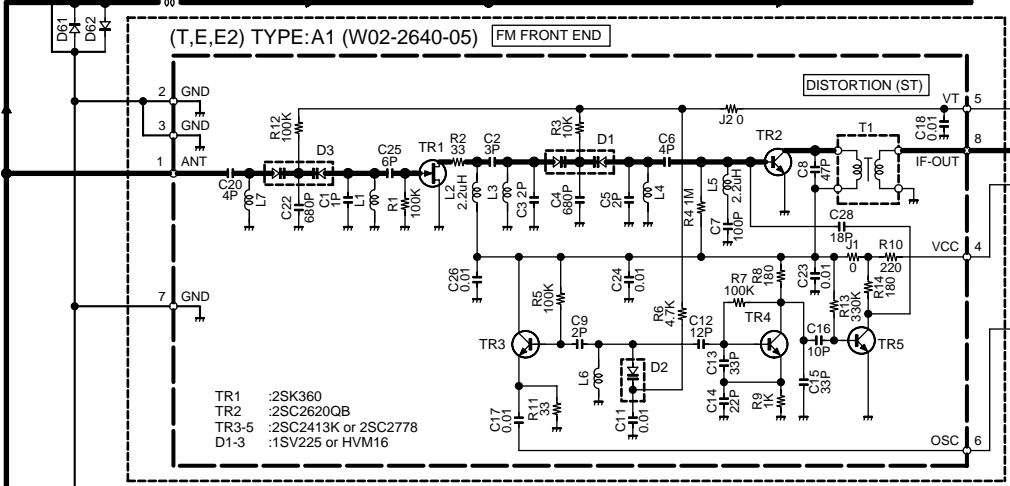
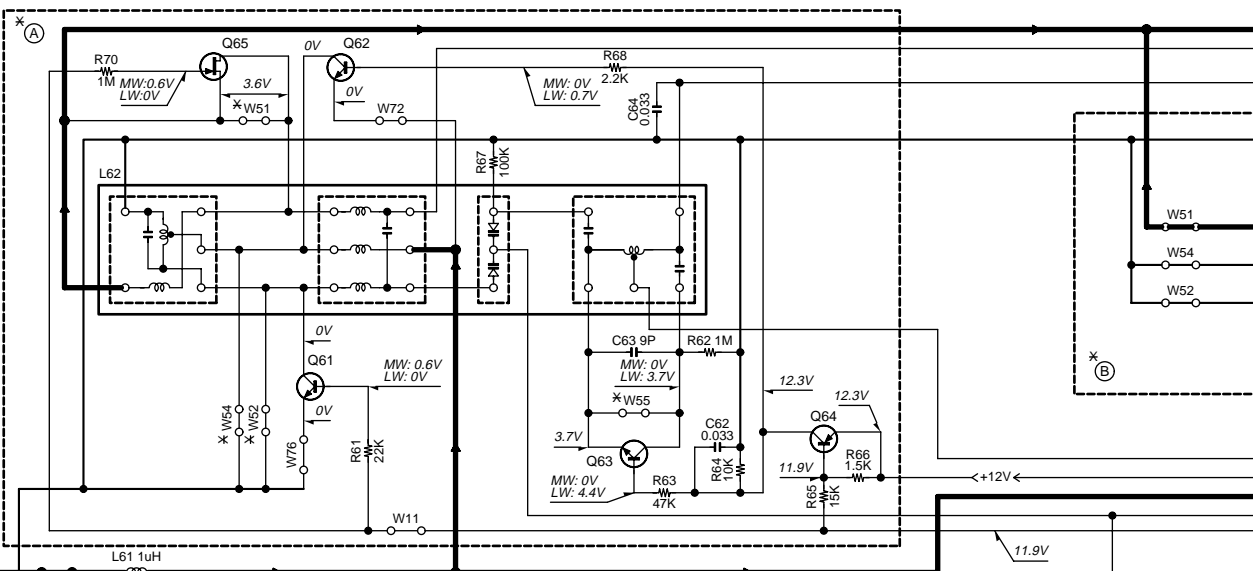
RXD-A700(K,P,X)/A900(K,P) (4/9)
 RXD-951(M,I,Y,X) (4/9)
 RXD-V616(M,I,V)/V818(M,I,V)/V919(M,I,V) (4/9)

Y39-2950-10

RXD-951/A700/A900/V616/V818/V919

KENWOOD

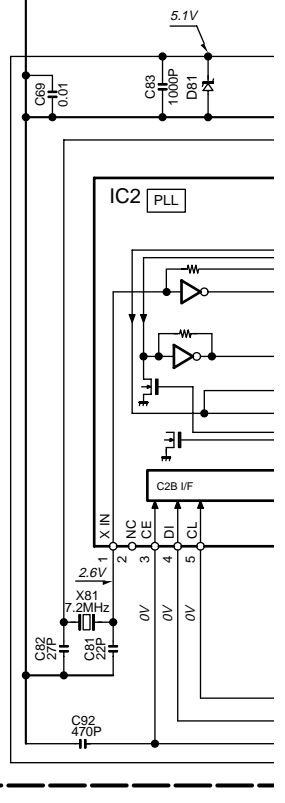
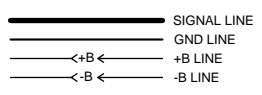
TUNER UNIT
 (X05-490X-XX) RXD-A700E(E3) RXD-A700W(Q2) RXD-951(E1) RXD-951E(E2) RXD-951W(Q1)

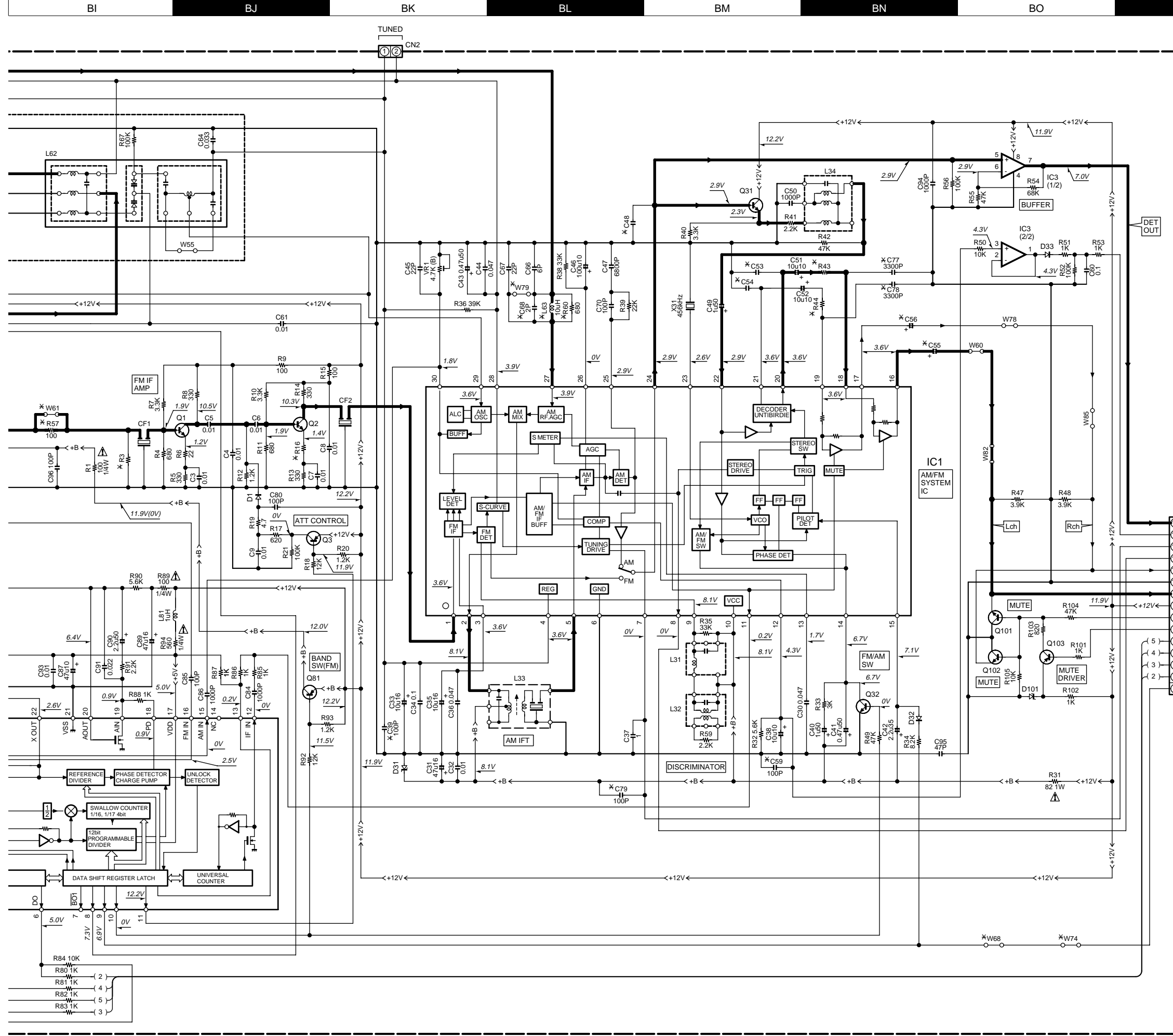


- IC1 : LA1836
- IC2 : LC72131
- IC3 : NJM2904M
- Q1,2 : 2SC2714(R,O)
- Q3,64,81,103 : 2SA1576A(R,S) or 2SB1218A(Q,R)
- Q31,32,61,62 : 2SC4081(R,S) or 2SD1819A(Q,R)
- Q63 : 2SC2878(B)
- Q65 : 2SK302(Y,GR)
- Q101,102 : 2SD2114K
- D1,33,61,62 : 1SS133 or HSS104
- D31 : MTZJ8.2(B) or HZS8.2N(B2)
- D32 : MA111
- D81 : MTZJ5.1(B) or HZS5.1N(B2)
- D101 : MTZJ3.3(B) or HZS3.3N(B2)

VT VOLTAGE

| BAND | FREQ | VT |
|---------|------|------|
| FM | LF | 2.3V |
| | HF | 7.7V |
| AM (MW) | LF | 1.2V |
| | HF | 4.6V |





RXD-951E (X05-4902-70)

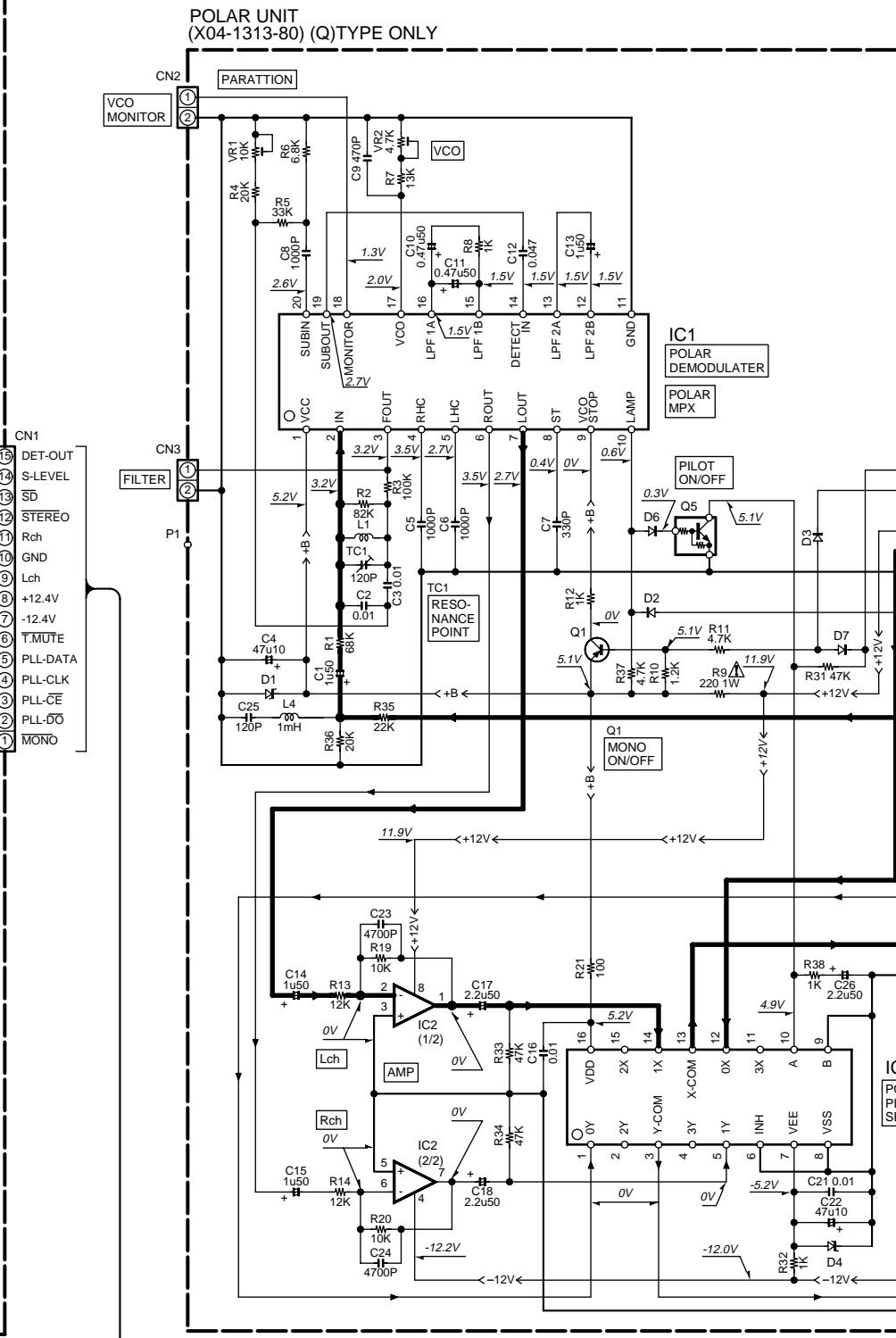
| DESTINATION | UNIT No. | (A) | (B) | (C) | C39.59 | C48 | C53 | C54 | C55 | C56 | C68.77 | R3 | R16 | R43 | R44 | R57 | L62 | L63 | W68.74 | W51.52.54 | J2 | A1 | |
|--------------|----------|-----|-----|-----|--------|-------|--------|-----|------|-----|--------|----|-----|----------|-----|-----|-----|-----|--------|-----------|----------|----|--|
| COUNTRY/JABB | 2-70 | NO | YES | NO | 820P | 0.015 | 2.2u35 | YES | 3.3K | 22 | 22K | NO | NO | L39-1367 | YES | NO | YES | NO | YES | F10-1053 | W02-2640 | | |

RXD-951E (X05-4902-70)

| DESTINATION | UNIT No. | (A) | (B) | (C) | C39.59 | C48 | C53 | C54 | C55 | C56 | C68.77 | R3 | R16 | R43 | R44 | R57 | L62 | L63 | W68.74 | W51.52.54 | J2 | A1 | |
|--------------|----------|-----|-----|-----|--------|-------|--------|-----|------|-----|--------|----|-----|----------|-----|-----|-----|-----|--------|-----------|----------|----|--|
| COUNTRY/JABB | 2-70 | NO | YES | NO | 820P | 0.015 | 2.2u35 | YES | 3.3K | 22 | 22K | NO | NO | L39-1367 | YES | NO | YES | NO | YES | F10-1053 | W02-2640 | | |

RXD-951W (X05-4903-81)

| DESTINATION | UNIT No. | (A) | (B) | (C) | C39.59 | C48 | C53 | C54 | C55 | C56 | C68.77 | R3 | R16 | R43 | R44 | R57 | L62 | L63 | W68.74 | W51.52.54 | J2 | A1 | |
|--------------|----------|-----|-----|-----|--------|-------|--------|-----|-----|-----|--------|-----|-----|----------|-----|-----|-----|-----|--------|-----------|----------|----|--|
| COUNTRY/JABB | 3-81 | YES | NO | YES | 820P | 0.018 | 3.3u25 | NO | 330 | 47 | 12K | YES | NO | L39-1368 | NO | YES | NO | YES | NO | F10-1088 | W02-2641 | | |



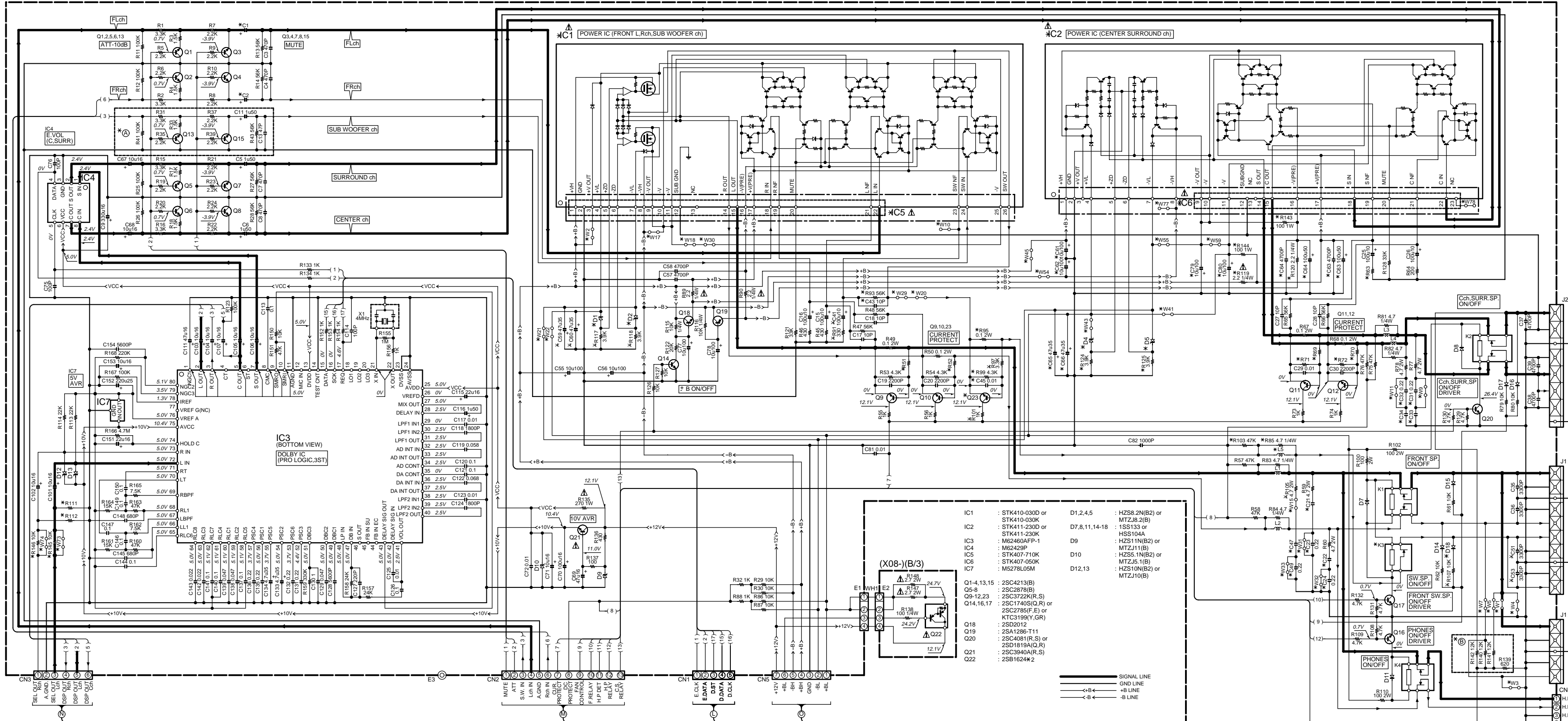
CAUTION: For continued safety, replace safety critical components only with manufacturer's recommended parts (refer to parts list). Δ indicates safety critical components. For continued protection against risk of fire, replace only with same type and rating fuse(s). To reduce the risk of electric shock, leakage-current or resistance measurements shall be carried out (exposed parts are acceptably insulated from the supply circuit) before the appliance is returned to the customer.

The DC voltage is an actual reading measured with a high impedance type voltmeter as the AM/FM signal generator is specified to the conditions as shown in the list below. The measurement value may vary depending on the measuring instruments used or on the product. The value shown in () is actual reading measured in the AM made.

| MODE | CARRIER | MODULATION | | ANT INPUT |
|------|--------------|------------|------------------------------|-----------|
| | | FREQUENCY | DEVIATION | |
| FM | 98MHz | 1kHz | STEREO 67.5kHz 7.5kHz(Pilot) | 60dB |
| AM | 1000(999)kHz | 400Hz | MONO 30% MOD | 60dB |

RXD-951/A700/A900/V616/V818/V919





| | | | | | | | | | | | | | | | | | | |
|-----|-------|----|-------|-------|-------|--------|--------|--------|--------|----|--------|-------|----|--------|-------|----|--------|----|
| 1 | 2 | 3 | 4 | 5 | 6 | 7 | 8 | 9-11 | 12-15 | 16 | 17 | 18,19 | 20 | 21,22 | 23,24 | 25 | 26 | |
| IC1 | 57.5V | 0V | 25.9V | 26.4V | 18.5V | -18.9V | -27.0V | -57.8V | -26.5V | 0V | -56.3V | 56.5V | 0V | -55.3V | 0V | 0V | -26.4V | 0V |

| | | | | | | | | | | |
|-----|-------|----|-------|--------|-------|--------|-------|-------|--------|-------|
| 1 | 2 | 3 | 4-7 | 8-11 | 12-15 | 16 | 17 | 18,19 | 20 | 21,22 |
| IC5 | 45.7V | 0V | 45.7V | -46.0V | 0V | -45.1V | 45.0V | 0V | -43.9V | 0V |

| | | | | | | | | | | | | | | | |
|-----|-------|----|-------|-------|-------|--------|--------|--------|--------|----|--------|-------|----|--------|----|
| 1 | 2 | 3 | 4 | 5 | 6 | 7 | 8 | 9-11 | 12-15 | 16 | 17 | 18,19 | 20 | 21,22 | |
| IC2 | 57.3V | 0V | 57.3V | 26.4V | 18.5V | -18.9V | -27.0V | -57.8V | -26.5V | 0V | -55.5V | 56.5V | 0V | -55.4V | 0V |

| | | | | | | | | |
|-----|-------|-------|----|--------|-------|----|--------|----|
| 1,2 | 3 | 4-7 | 8 | 9 | 10,11 | 12 | 13-15 | |
| IC6 | 27.5V | 26.4V | 0V | -26.4V | 26.4V | 0V | -25.3V | 0V |

CAUTION: For continued safety, replace safety critical components only with manufacturer's recommended parts (refer to parts list). Δ indicates safety critical components. For continued protection against risk of fire, replace only with same type and rating fuse(s). To reduce the risk of electric shock, leakage-current or resistance measurements shall be carried out (exposed parts are acceptably insulated from the supply circuit) before the appliance is returned to the customer.

The DC voltage is an actual reading measured with a high impedance type voltmeter. The measurement value may vary depending on the measuring instruments used or on the product. Refer to the voltage during PLAY unless otherwise specified; The value shown in () is the voltage measured at the moment of STOP.

| RXD-A700 (X08-2870-11) | |
|------------------------|------|
| DESTINATION | UNIT |
| COUNTRY | ABB |
| U.S.A. | K1 |
| CANADA | P1 |
| AUSTRALIA | X2 |

| RXD-A700E (X08-2872-72) | |
|-------------------------|------|
| DESTINATION | UNIT |
| COUNTRY | ABB |
| EUROPE | E3 |

| RXD-A700W (X08-2872-72) | |
|-------------------------|------|
| DESTINATION | UNIT |
| COUNTRY | ABB |
| RUSSIA | Q2 |

| RXD-V919 (X08-XXXX-XX) | |
|------------------------|------|
| DESTINATION | UNIT |
| COUNTRY | ABB |
| GENERAL MARKET | M2 |
| EUROPE | E1 |

| RXD-A900 (X08-2870-20) | |
|------------------------|------|
| DESTINATION | UNIT |
| COUNTRY | ABB |
| U.S.A. | K1 |
| CANADA | P1 |
| AUSTRALIA | X2 |

| RXD-951 (X08-287X-XX) | |
|-----------------------|------|
| DESTINATION | UNIT |
| COUNTRY | ABB |
| U.S.A. | K1 |
| CANADA | P1 |
| AUSTRALIA | X2 |
| EUROPE | E1 |

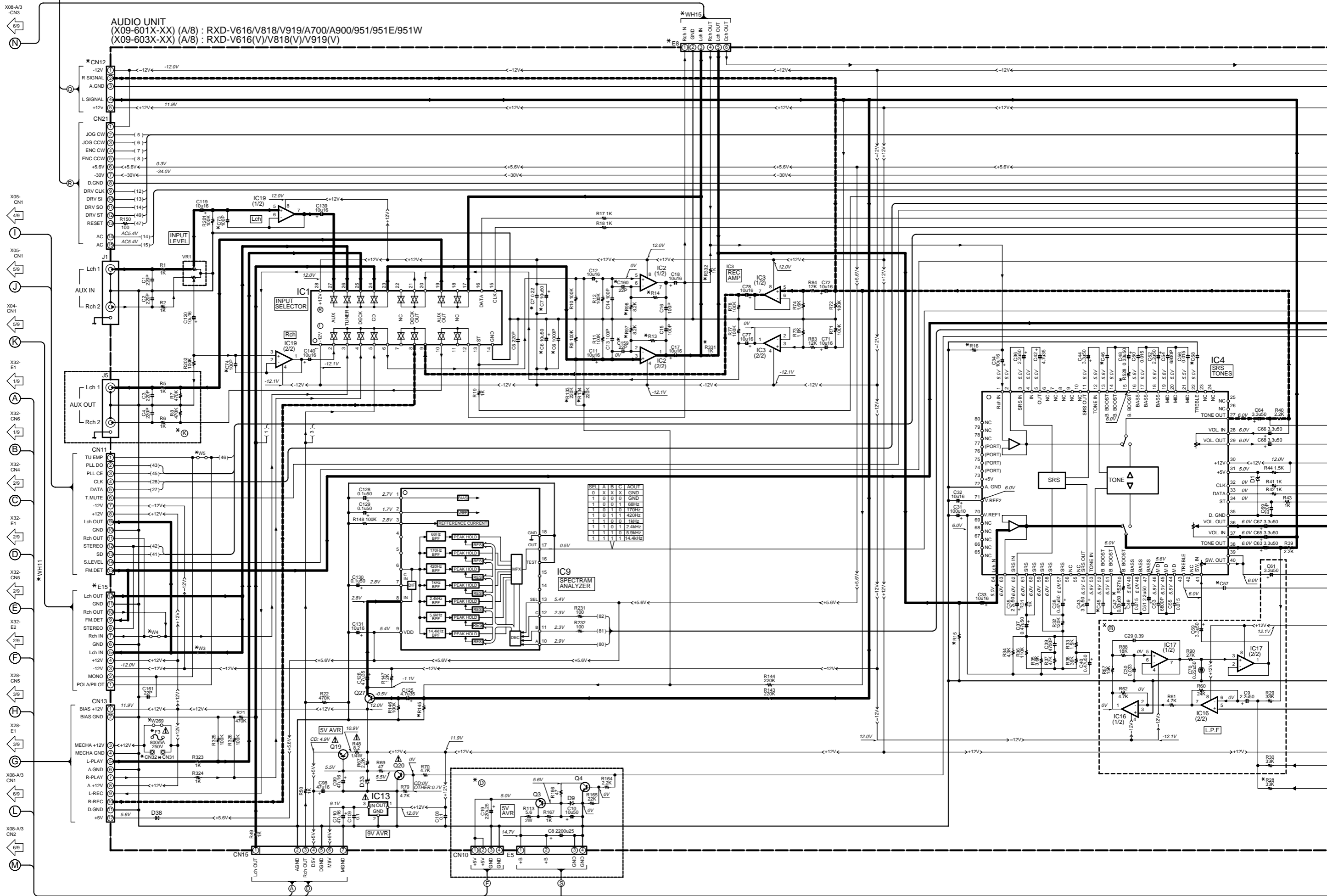
| RXD-951E (X08-2872-71) | |
|------------------------|------|
| DESTINATION | UNIT |
| COUNTRY | ABB |
| U.S.A. | K1 |
| CANADA | P1 |
| AUSTRALIA | X2 |
| EUROPE | E1 |

| RXD-951W (X08-2872-72) | |
|------------------------|------|
| DESTINATION | UNIT |
| COUNTRY | ABB |
| RUSSIA | D1 |

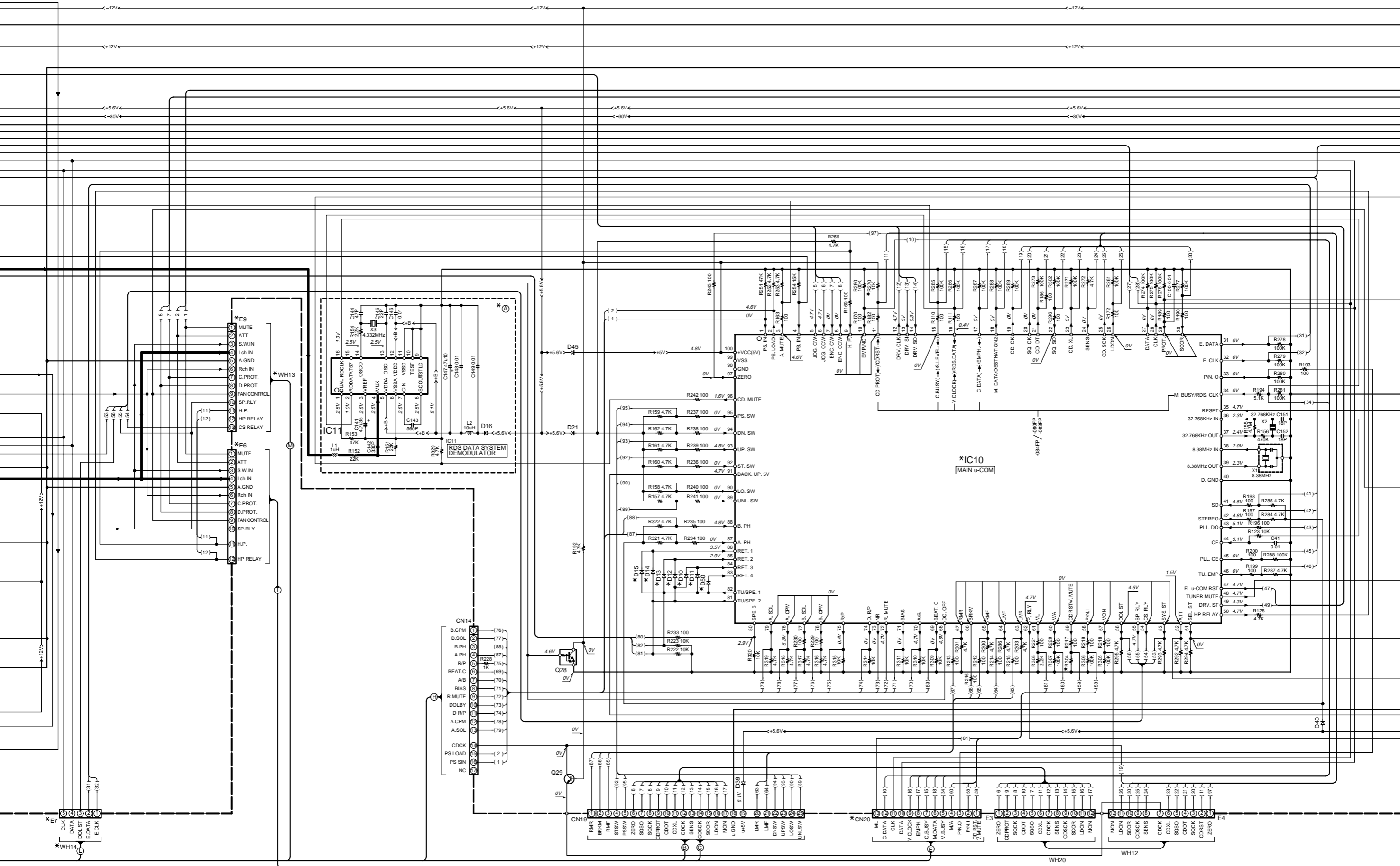
| RXD-A700/A900/V919 (6/9) | |
|--------------------------|--|
| RXD-951/951E/951W (6/9) | |

RXD-951/A700/A900/V616/V818/V919

AUDIO UNIT
 (X09-601X-XX) (A/8) : RXD-V616/V818/V919/A700/A900/951/951E/951W
 (X09-603X-XX) (A/8) : RXD-V616(V)/V818(V)/V919(V)



| SEL | A | B | C | AOUT |
|-----|---|---|---|---------|
| 0 | X | X | X | GND |
| 1 | 0 | 0 | 0 | GND |
| 1 | 0 | 1 | 0 | 170Hz |
| 1 | 0 | 1 | 1 | 420Hz |
| 1 | 1 | 0 | 0 | 1kHz |
| 1 | 1 | 0 | 1 | 2.4kHz |
| 1 | 1 | 1 | 0 | 5.9kHz |
| 1 | 1 | 1 | 1 | 14.4kHz |



IC11
RDS DATA SYSTEM DEMODULATOR

Internal components of IC11:
- OSC: 4.332MHz
- VREF: 2.5V
- VDDA: 2.5V
- VSSA: 2.5V
- VDD: 2.5V
- VSS: 2.5V
- TEST: 0V
- SCOUTSTLD: 0V
- C147: 47nF
- C148: 0.01
- C149: 0.01
- L2: 10uH
- D16: Diode
- R153: 4.7K
- R152: 2.2K
- R151: 560
- R150: 5.1V

***IC10**
MAIN u-COM

External components of IC10:
- R248: 100
- R259: 4.7K
- R258: 4.7K
- R257: 100K
- R256: 100K
- R255: 100K
- R254: 100K
- R253: 100K
- R252: 100K
- R251: 100K
- R250: 100K
- R249: 100K
- R247: 100K
- R246: 100K
- R245: 100K
- R244: 100K
- R243: 100K
- R242: 1.6V
- R241: 100
- R240: 100
- R239: 100
- R238: 100
- R237: 100
- R236: 100
- R235: 100
- R234: 100
- R233: 100
- R232: 4.7K
- R231: 4.7K
- R230: 100
- R229: 100
- R228: 100
- R227: 100
- R226: 100
- R225: 100
- R224: 100
- R223: 100
- R222: 100
- R221: 100
- R220: 100
- R219: 100
- R218: 100
- R217: 100
- R216: 100
- R215: 4.7K
- R214: 4.7K
- R213: 100
- R212: 100
- R211: 100
- R210: 100
- R209: 100
- R208: 100
- R207: 100
- R206: 100
- R205: 100
- R204: 100
- R203: 100
- R202: 100
- R201: 100
- R200: 100
- R199: 100
- R198: 100
- R197: 100
- R196: 100
- R195: 100
- R194: 5.1K
- R193: 100K
- R192: 100K
- R191: 100K
- R190: 100K
- R189: 100K
- R188: 100K
- R187: 100K
- R186: 100K
- R185: 100K
- R184: 100K
- R183: 100K
- R182: 100K
- R181: 100K
- R180: 100K
- R179: 100K
- R178: 100K
- R177: 100K
- R176: 100K
- R175: 100K
- R174: 100K
- R173: 100K
- R172: 100K
- R171: 100K
- R170: 100K
- R169: 100K
- R168: 100K
- R167: 100K
- R166: 100K
- R165: 100K
- R164: 100K
- R163: 100K
- R162: 4.7K
- R161: 4.7K
- R160: 4.7K
- R159: 4.7K
- R158: 4.7K
- R157: 4.7K
- R156: 4.7K
- R155: 4.7K
- R154: 4.7K
- R153: 4.7K
- R152: 4.7K
- R151: 4.7K
- R150: 4.7K
- R149: 4.7K
- R148: 4.7K
- R147: 4.7K
- R146: 4.7K
- R145: 4.7K
- R144: 4.7K
- R143: 4.7K
- R142: 4.7K
- R141: 4.7K
- R140: 4.7K
- R139: 4.7K
- R138: 4.7K
- R137: 4.7K
- R136: 4.7K
- R135: 4.7K
- R134: 4.7K
- R133: 4.7K
- R132: 4.7K
- R131: 4.7K
- R130: 4.7K
- R129: 4.7K
- R128: 4.7K
- R127: 4.7K
- R126: 4.7K
- R125: 4.7K
- R124: 4.7K
- R123: 4.7K
- R122: 4.7K
- R121: 4.7K
- R120: 4.7K
- R119: 4.7K
- R118: 4.7K
- R117: 4.7K
- R116: 4.7K
- R115: 4.7K
- R114: 4.7K
- R113: 4.7K
- R112: 4.7K
- R111: 4.7K
- R110: 4.7K
- R109: 4.7K
- R108: 4.7K
- R107: 4.7K
- R106: 4.7K
- R105: 4.7K
- R104: 4.7K
- R103: 4.7K
- R102: 4.7K
- R101: 4.7K
- R100: 4.7K
- R99: 4.7K
- R98: 4.7K
- R97: 4.7K
- R96: 4.7K
- R95: 4.7K
- R94: 4.7K
- R93: 4.7K
- R92: 4.7K
- R91: 4.7K
- R90: 4.7K
- R89: 4.7K
- R88: 4.7K
- R87: 4.7K
- R86: 4.7K
- R85: 4.7K
- R84: 4.7K
- R83: 4.7K
- R82: 4.7K
- R81: 4.7K
- R80: 4.7K
- R79: 4.7K
- R78: 4.7K
- R77: 4.7K
- R76: 4.7K
- R75: 4.7K
- R74: 4.7K
- R73: 4.7K
- R72: 4.7K
- R71: 4.7K
- R70: 4.7K
- R69: 4.7K
- R68: 4.7K
- R67: 4.7K
- R66: 4.7K
- R65: 4.7K
- R64: 4.7K
- R63: 4.7K
- R62: 4.7K
- R61: 4.7K
- R60: 4.7K
- R59: 4.7K
- R58: 4.7K
- R57: 4.7K
- R56: 4.7K
- R55: 4.7K
- R54: 4.7K
- R53: 4.7K
- R52: 4.7K
- R51: 4.7K
- R50: 4.7K
- R49: 4.7K
- R48: 4.7K
- R47: 4.7K
- R46: 4.7K
- R45: 4.7K
- R44: 4.7K
- R43: 4.7K
- R42: 4.7K
- R41: 4.7K
- R40: 4.7K
- R39: 4.7K
- R38: 4.7K
- R37: 4.7K
- R36: 4.7K
- R35: 4.7K
- R34: 4.7K
- R33: 4.7K
- R32: 4.7K
- R31: 4.7K
- R30: 4.7K
- R29: 4.7K
- R28: 4.7K
- R27: 4.7K
- R26: 4.7K
- R25: 4.7K
- R24: 4.7K
- R23: 4.7K
- R22: 4.7K
- R21: 4.7K
- R20: 4.7K
- R19: 4.7K
- R18: 4.7K
- R17: 4.7K
- R16: 4.7K
- R15: 4.7K
- R14: 4.7K
- R13: 4.7K
- R12: 4.7K
- R11: 4.7K
- R10: 4.7K
- R9: 4.7K
- R8: 4.7K
- R7: 4.7K
- R6: 4.7K
- R5: 4.7K
- R4: 4.7K
- R3: 4.7K
- R2: 4.7K
- R1: 4.7K

***E9**
MUTE
ATT
S.W.IN
Lch IN
A.GND
Rch IN
C.PROT.
D.PROT.
FAN CONTROL
SP.RLY
H.P.
HP RELAY
CS RELAY

***E6**
MUTE
ATT
S.W.IN
Lch IN
A.GND
Rch IN
C.PROT.
D.PROT.
FAN CONTROL
SP.RLY
H.P.
HP RELAY

CN14
B.CPM (76)
B.SOL (77)
A.PH (78)
R/P (75)
BEAT.C (74)
A/B (70)
R.MUTE (72)
DOLBY (73)
D/R/P (74)
A.CPM (78)
A.SOL (79)
CDCK (2)
PS LOAD (1)
PS SIN (1)
NC

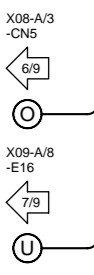
CN19
RMR (67)
BRKM (66)
RF (65)
STSW (68)
PSSW (69)
ZERO (7)
SOSO (8)
SOCK (9)
CDCK (10)
CDOT (11)
CDLX (12)
CDCK (13)
SENS (14)
CDSECK (15)
SCOR (16)
LDON (17)
MON (18)
u.GND (19)
u+5V (20)

CN20
ML (10)
C.DATA (11)
CLK (12)
DATA (13)
V.CLOCK (14)
EMPH (15)
M.BUSY (16)
M.DATA (17)
M.BUSY (18)
M.A (19)
P.N.I (20)
P.N.I (21)
V.CLOCK (22)
V.CLOCK (23)
V.CLOCK (24)
V.CLOCK (25)
V.CLOCK (26)
V.CLOCK (27)
V.CLOCK (28)
V.CLOCK (29)
V.CLOCK (30)

WH20
ZERO (6)
SOCK (7)
SOSO (8)
CDCK (9)
CDSECK (10)
LDON (11)
MON (12)

WH12
MON (28)
LDON (29)
SCOR (30)
SENS (31)
CDCK (32)
CDLX (33)
SOSO (34)
CDOT (35)
CDIST (36)
CDIST (37)
ZERO (38)

E4
E. DATA (31)
E. CLK (32)
P.N. O (33)
M. BUSY/RDS. CLK (34)
RESET (35)
32.768KHz IN (36)
32.768KHz OUT (37)
8.38MHz IN (38)
8.38MHz OUT (39)
D. GND (40)
SD (41)
STEREO (42)
PLL DO (43)
CE (44)
PLL CE (45)
TU. EMP (46)
FL u-COM RST (47)
TUNER MUTE (48)
DRV. ST (49)
HP RELAY (50)



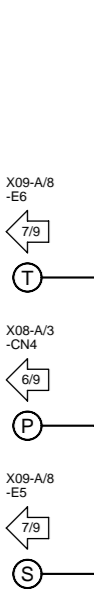
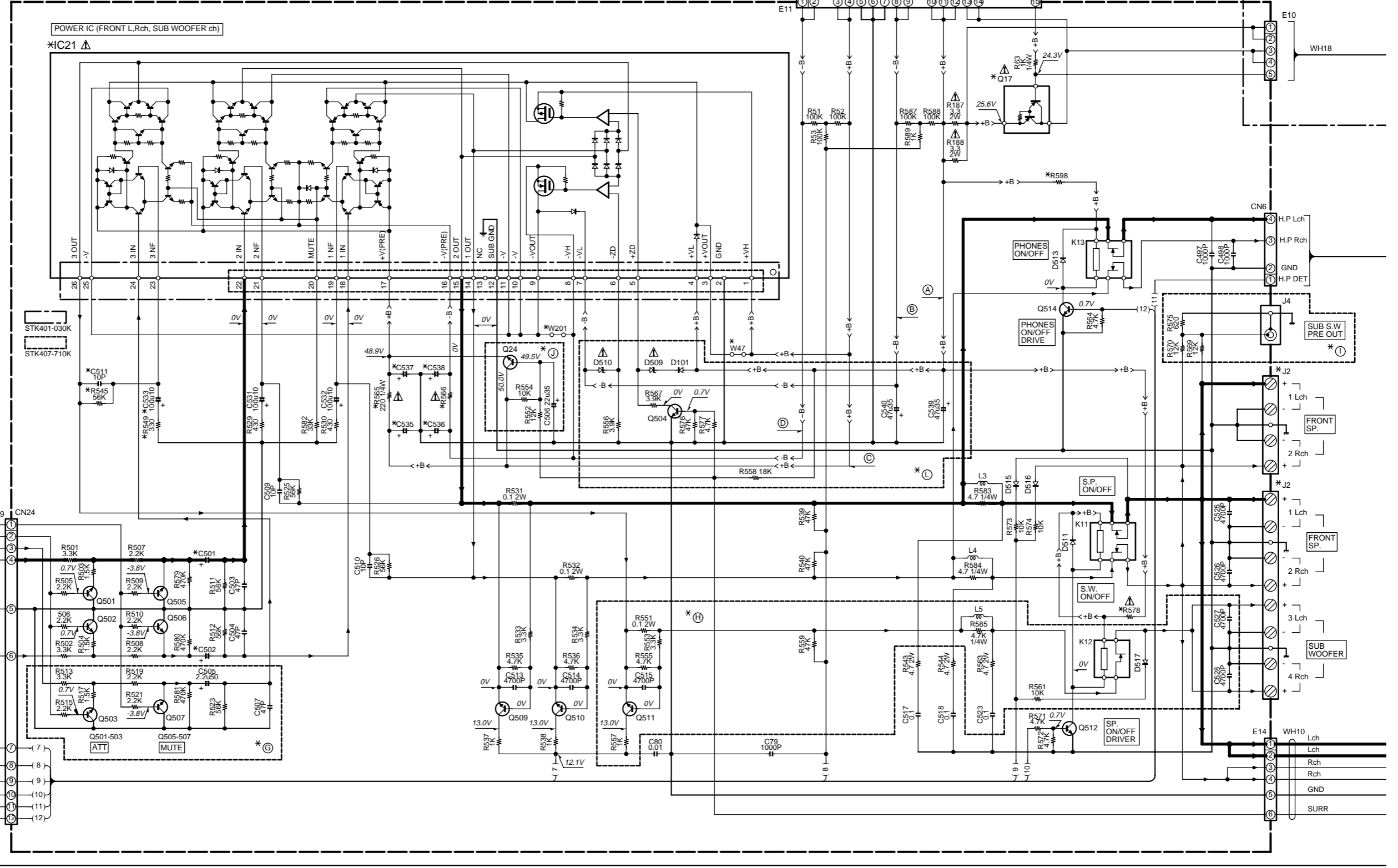
| IC21 | 1 | 2 | 3 | 4 | 5 | 6 | 7 | 8 | 9-11 | 12-15 | 16 | 17 | 18,19 | 20 | 21,22 | 23,24 | 25 | 26 |
|-------------|-------|----|-------|-------|-------|--------|--------|--------|--------|-------|--------|-------|-------|--------|-------|-------|--------|-----|
| SKT401-030K | 58.0V | 0V | 26.1V | 26.6V | 18.0V | -19.1V | -27.2V | -58.3V | -26.6V | 0V | -54.0V | 54.2V | 0V | -52.6V | 0V | 0V | -26.6V | 0V |
| SKT407-710K | 50.0V | 0V | 50.0V | 0V | 0V | 0V | 0V | -50.3V | -50.3V | 0V | -49.0V | 49.0V | 0V | -47.7V | 0V | N/C | N/C | N/C |

| D22,23 | (A) | (B) | (C) | (D) |
|----------|-------|--------|-------|--------|
| RXD-A700 | 45.9V | -46.0V | 26.9V | -27.6V |
| RXD-V616 | 57.3V | -57.4V | 25.9V | -26.3V |
| OTHER | 57.3V | -57.6V | 26.4V | -27.0V |

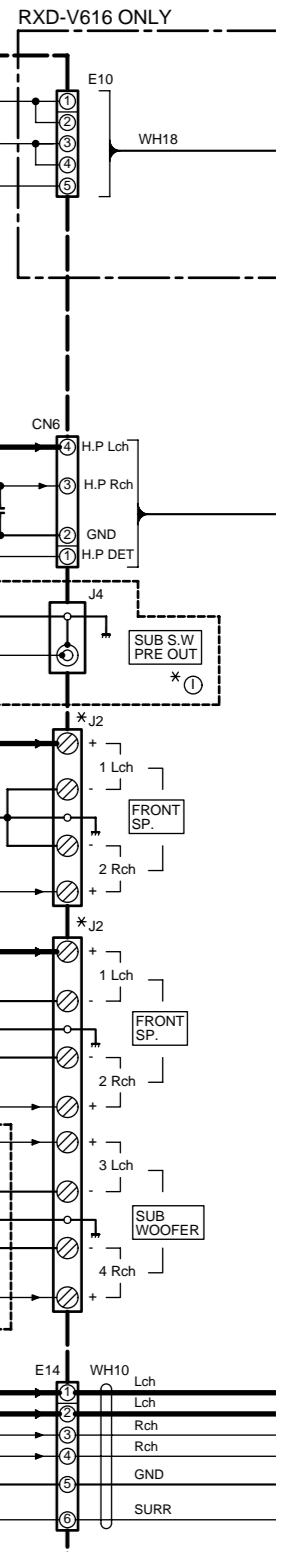
| RXD-V616 (X09-60XX-XX) | | | | | | | | | | | | | | | | | | | |
|------------------------|---------|-----|----------|-----|-----|-----|-----|-----|-------------|----|-----|----------------|----------|-----------|-----------|-----------|----------|----------|--|
| DESTINATION | COUNTRY | ABB | UNIT No. | (I) | (J) | (G) | (H) | (L) | IC21 | J2 | Q17 | R545, 549, 565 | R566 | R578, 598 | C501, 502 | C511, 533 | C535-538 | W47, 201 | |
| GENERAL MARKET | M4 | | 10-22 | YES | | | | | STK407-710K | 4P | NO | NO | 100 1/4W | 47 2W | 2.2u50 | NO | 10u63 | YES | |
| MALAYSIA | I4 | | | | | | | | | | | | | | | | | | |
| SHANGHAI | V4 | | 32-12 | | | | | | | | | | | | | | | | |

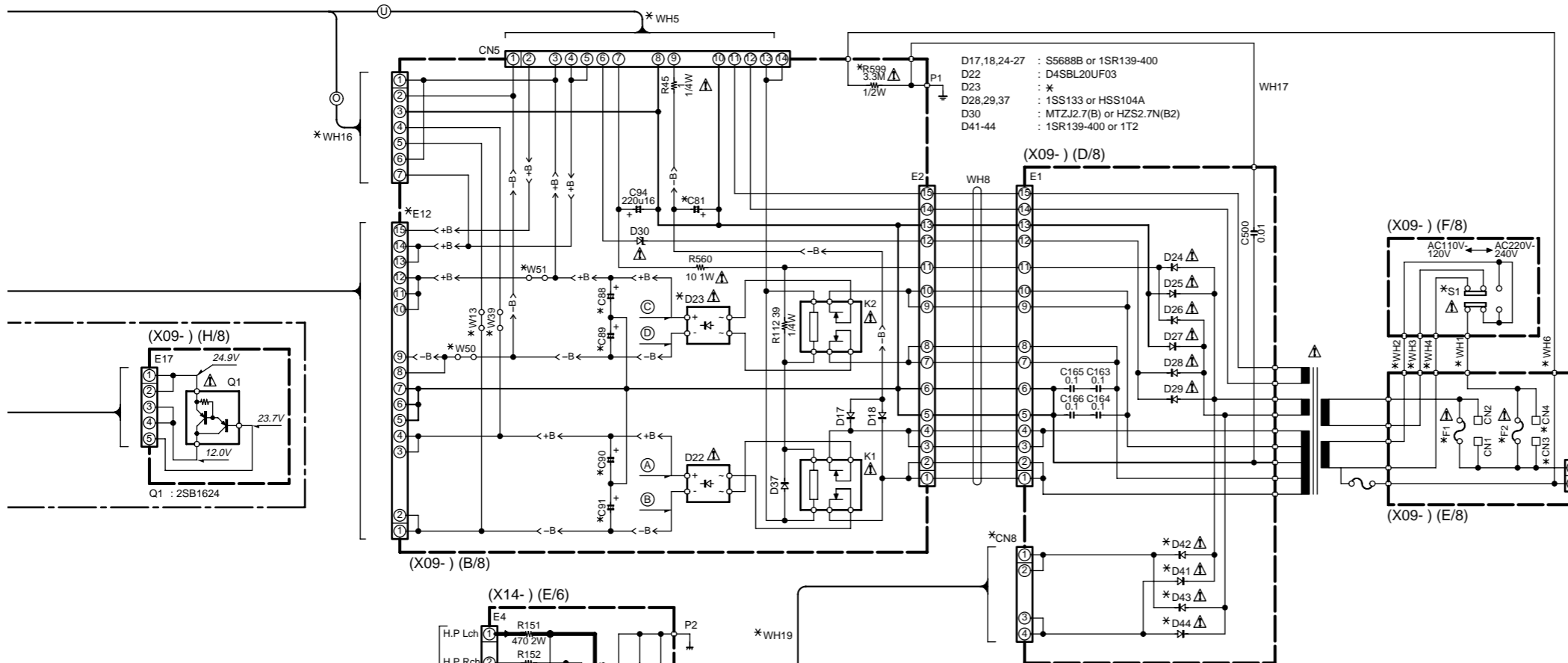
| RXD-V818 (X09-60XX-XX) | | | | | | | | | | | | | | | | | | | |
|------------------------|---------|-----|----------|-----|-----|-----|-----|-----|-------------|----|-----|----------------|----------|-----------|-----------|-----------|----------|----------|--|
| DESTINATION | COUNTRY | ABB | UNIT No. | (I) | (J) | (G) | (H) | (L) | IC21 | J2 | Q17 | R545, 549, 565 | R566 | R578, 598 | C501, 502 | C511, 533 | C535-538 | W47, 201 | |
| GENERAL MARKET | M3 | | 10-21 | NO | | | | | STK410-030K | 8P | YES | YES | 200 1/4W | 100 2W | 0.056u50 | YES | 10u100 | NO | |
| MALAYSIA | I3 | | | | | | | | | | | | | | | | | | |
| SHANGHAI | V3 | | 32-11 | | | | | | | | | | | | | | | | |

(X09-601X-XX) (C/8) : RXD-V616(M4,I4)/V818(M3,I3)
 (X09-603X-XX) (C/8) : RXD-V616(V4)/V818(V3)



CURRENT PROTECTION
 DC CONTROL
 FAN CONTROL
 SP.RLY
 H.P.
 HP RELAY

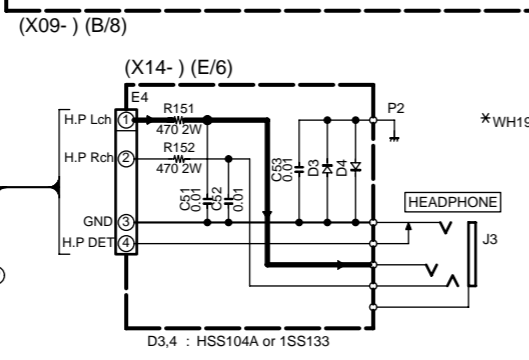
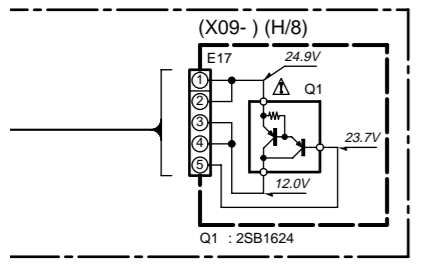




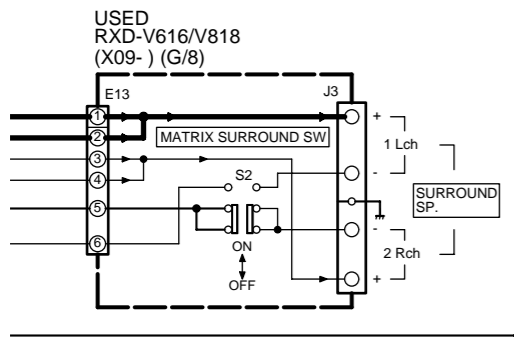
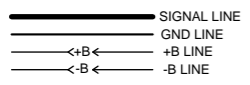
CAUTION: For continued safety, replace safety critical components only with manufacturer's recommended parts (refer to parts list). Δ indicates safety critical components. For continued protection against risk of fire, replace only with same type and rating fuse(s). To reduce the risk of electric shock, leakage-current or resistance measurements shall be carried out (exposed parts are acceptably insulated from the supply circuit) before the appliance is returned to the customer.

The DC voltage is an actual reading measured with a high impedance type voltmeter. The measurement value may vary depending on the measuring instruments used or on the product. Refer to the voltage during PLAY unless otherwise specified; The value shown in () is the voltage measured at the moment of STOP.

- (J) : AC100V 50/60Hz
- (K,P) : AC120V 60Hz
- (Y,M) : AC110-120V/220-240V-50/60Hz
- (Q) : AC220V-50Hz
- (X) : AC240V-50Hz
- (T,E,E2) : AC230V-50Hz



- IC21 : *
- Q17 : 2SB1624
- Q24 : 2SD2525 or 2SD2137(Q,P)
- Q501-503,505-507 : 2SC2878(B)
- Q509-511 : 2SC1845(F,E)
- Q504,512,514 : 2SC1740S(Q,R) or KTC3199(Y,GR) or 2SC2785(F,E)
- D101,511,513 : 1SS133 or HSS104A
- D509,510,515-517 : MTZJ8.2(B) or HZS8.2N(B2)



RXD-V616 (X09-60XX-XX)

| DESTINATION | COUNTRY | ABB. | UNIT No. | WH1-4 | WH5 | WH6, 16 | WH19 | E12 | CN3,4 | CN8 | S1 | D23 | D41-44 | F1 | F2 | R599 | C81 | C88, 89 | C90, 91 | W13, 39 | W50, 51 |
|----------------|---------|------|----------|-------|-------------|---------|------|-----|-------|-----|-----|-------------|--------|------------|------------|------|--------|---------|---------|---------|---------|
| GENERAL MARKET | M4 | | 10-22 | YES | 14P L=390MM | NO | YES | YES | YES | YES | YES | D4SBL20UF03 | YES | 250V T 2AL | 250V T 2AL | NO | 100u63 | 2200u35 | 4700u63 | NO | YES |
| MALAYSIA | I4 | | 32-12 | NO | | | | | | | | | | 250V T 2A | NO | | | | | | |
| SHANGHAI | V4 | | 32-12 | NO | | | | | | | | | | 250V T 2A | NO | | | | | | |

RXD-V818 (X09-60XX-XX)

| DESTINATION | COUNTRY | ABB. | UNIT No. | WH1-4 | WH5 | WH6, 16 | WH19 | E12 | CN3,4 | CN8 | S1 | D23 | D41-44 | F1 | F2 | R599 | C81 | C88, 89 | C90, 91 | W13, 39 | W50, 51 |
|----------------|---------|------|----------|-------|-------------|---------|------|-----|-------|-----|-----|-------------|--------|---------------|---------------|------|---------|---------|---------|---------|---------|
| GENERAL MARKET | M3 | | 10-21 | YES | 14P L=390MM | NO | YES | YES | YES | YES | YES | D4SBL20UF03 | YES | 250V T 3.15AL | 250V T 3.15AL | NO | 100u100 | 4700u35 | 4700u75 | NO | YES |
| MALAYSIA | I3 | | 32-11 | NO | | | | | | | | | | 250V T 3.15A | NO | | | | | | |
| SHANGHAI | V3 | | 32-11 | NO | | | | | | | | | | 250V T 3.15A | NO | | | | | | |

RXD-V919 (X09-60XX-XX)

| DESTINATION | COUNTRY | ABB. | UNIT No. | WH1-4 | WH5 | WH6 | WH16, 19 | E12 | CN3,4 | CN8 | S1 | D23 | D41-44 | F1 | F2 | R599 | C81 | C88, 89 | C90, 91 | W13, 39 | W50, 51 |
|----------------|---------|------|----------|-------|-------------|-----|----------|-----|-------|-----|-----|------------|--------|------------|------------|------|---------|---------|---------|---------|---------|
| GENERAL MARKET | M2 | | 10-20 | YES | 14P L=580MM | NO | YES | NO | YES | YES | YES | RBV-602LFA | YES | 250V T 4AL | 250V T 4AL | NO | 100u100 | 4700u35 | 4700u75 | YES | NO |
| MALAYSIA | I2 | | 32-10 | NO | | | | | | | | | | 250V T 4A | NO | | | | | | |
| SHANGHAI | V2 | | 32-10 | NO | | | | | | | | | | 250V T 4A | NO | | | | | | |

RXD-A700 (X09-601X-XX)

| DESTINATION | COUNTRY | ABB. | UNIT No. | WH1-4 | WH5 | WH6 | WH16 | E12 | CN3, 4, 8 | S1 | D23 | D41-44 | F1 | F2 | R599 | C81 | C88, 89 | C90, 91 | W13, 39 | W50, 51 | |
|-------------|---------|------|----------|-------|-------------|-----|------|-----|-----------|----|-----|------------|----|---------------|------|-----|---------|---------|---------|---------|----|
| U.S.A. | K2 | | 0-12 | NO | 14P L=580MM | YES | YES | NO | NO | NO | NO | RBV-602LFA | NO | 125V 6.3A | NO | YES | 100u63 | 2200u35 | 4700u63 | YES | NO |
| CANADA | P2 | | 0-12 | NO | | | | | | | | | | 250V T 3.15AL | NO | | | | | | |
| AUSTRALIA | X2 | | 0-72 | NO | | | | | | | | | | 250V T 3.15AL | NO | | | | | | |

RXD-A700E (X09-6012-72)

| DESTINATION | COUNTRY | ABB. | UNIT No. | WH1-4 | WH5 | WH16 | E12 | CN3, 4, 8 | S1 | D23 | D41-44 | F1 | F2 | R599 | C81 | C88, 89 | C90, 91 | W13, 39 | W50, 51 | |
|-------------|---------|------|----------|-------|-------------|------|-----|-----------|----|-----|------------|----|---------------|------|-----|---------|---------|---------|---------|----|
| EUROPE | E3 | | 2-72 | NO | 14P L=580MM | YES | NO | NO | NO | NO | RBV-602LFA | NO | 250V T 3.15AL | NO | NO | 100u63 | 2200u35 | 4700u63 | YES | NO |

RXD-A700W (X09-6013-82)

| DESTINATION | COUNTRY | ABB. | UNIT No. | WH1-4 | WH5 | WH16 | E12 | CN3, 4, 8 | S1 | D23 | D41-44 | F1 | F2 | R599 | C81 | C88, 89 | C90, 91 | W13, 39 | W50, 51 | |
|-------------|---------|------|----------|-------|-------------|------|-----|-----------|----|-----|------------|----|---------------|------|-----|---------|---------|---------|---------|----|
| RUSSIA | Q2 | | 3-82 | NO | 14P L=580MM | YES | NO | NO | NO | NO | RBV-602LFA | NO | 250V T 3.15AL | NO | NO | 100u63 | 2200u35 | 4700u63 | YES | NO |

RXD-A900 (X09-601X-XX)

| DESTINATION | COUNTRY | ABB. | UNIT No. | WH1-4 | WH5 | WH6, 16 | E12 | CN3, 4, 8 | S1 | D23 | D41-44 | F1 | F2 | R599 | C81 | C88, 89 | C90, 91 | W13, 39 | W50, 51 | |
|-------------|---------|------|----------|-------|-------------|---------|-----|-----------|----|-----|------------|----|----------|------------|-----|---------|---------|---------|---------|----|
| U.S.A. | K1 | | 0-11 | NO | 14P L=580MM | YES | NO | NO | NO | NO | RBV-602LFA | NO | 125V 10A | NO | YES | 100u100 | 4700u35 | 4700u75 | YES | NO |
| CANADA | P1 | | 0-11 | NO | | | | | | | | | | 250V T 10A | NO | | | | | |

RXD-951 (X09-601X-XX)

| DESTINATION | COUNTRY | ABB. | UNIT No. | WH1-4 | WH5 | WH6, 16 | WH16 | E12 | CN3, 4 | CN8 | S1 | D23 | D41-44 | F1 | F2 | R599 | C81 | C88, 89 | C90, 91 | W13, 39 | W50, 51 |
|----------------|---------|------|----------|-------|-------------|---------|------|-----|--------|-----|----|------------|--------|------------|------------|------|---------|---------|---------|---------|---------|
| GENERAL MARKET | M1 | | 0-23 | YES | 14P L=580MM | NO | YES | NO | NO | NO | NO | RBV-602LFA | NO | 250V T 4AL | 250V T 4AL | NO | 100u100 | 4700u35 | 4700u75 | YES | NO |
| MALAYSIA | I1 | | 32-23 | NO | | | | | | | | | | 250V T 4AL | NO | | | | | | |
| PX | Y1 | | 32-23 | NO | | | | | | | | | | 250V T 4AL | NO | | | | | | |
| GENERAL MARKET | M5 | | 0-71 | NO | | | | | | | | | | 250V T 4AL | NO | | | | | | |
| AUSTRALIA | X1 | | 0-71 | NO | | | | | | | | | | 250V T 4AL | NO | | | | | | |
| EUROPE | E1 | | 2-71 | NO | | | | | | | | | | 250V T 4AL | NO | | | | | | |

RXD-951E (X09-601X-XX)

| DESTINATION | COUNTRY | ABB. | UNIT No. | WH1-4 | WH5 | WH16 | E12 | CN3, 4, 8 | S1 | D23 | D41-44 | F1 | F2 | R599 | C81 | C88, 89 | C90, 91 | W13, 39 | W50, 51 | |
|-------------|---------|------|----------|-------|-------------|------|-----|-----------|----|-----|------------|----|------------|------|-----|---------|---------|---------|---------|----|
| EUROPE | E2 | | 2-71 | NO | 14P L=580MM | YES | NO | NO | NO | NO | RBV-602LFA | NO | 250V T 4AL | NO | NO | 100u100 | 4700u35 | 4700u75 | YES | NO |

RXD-951W (X09-601X-XX)

| DESTINATION | COUNTRY | ABB. | UNIT No. | WH1-4 | WH5 | WH16 | E12 | CN3, 4, 8 | S1 | D23 | D41-44 | F1 | F2 | R599 | C81 | C88, 89 | C90, 91 | W13, 39 | W50, 51 | |
|-------------|---------|------|----------|-------|-------------|------|-----|-----------|----|-----|------------|----|------------|------|-----|---------|---------|---------|---------|----|
| RUSSIA | Q1 | | 3-81 | NO | 14P L=580MM | YES | NO | NO | NO | NO | RBV-602LFA | NO | 250V T 4AL | NO | NO | 100u100 | 4700u35 | 4700u75 | YES | NO |

RXD-A700/A900 (8/9)
 RXD-951/9541E/951W (8/9)
 RXD-V616/V818/V919 (8/9)

RXD-951/A700/A900/V616/V818/V919

RXD-V616 (X14-48XX-XX)

| DESTINATION | COUNTRY | ABB | UNIT No. | (A) | (B) | (E) | (D) | R32,33 254-258 | D6,7 33-37 | D20,21, 31,32 | D30 | S12 | W2,34 |
|----------------|---------|-----|----------|-----|-----|-----|-----|-------------------|---------------|----------------------|----------------------|-----|-------|
| GENERAL MARKET | M4 | | 10-22 | YES | NO | NO | NO | NO | NO | B30-2508-05 (AMB) | B30-2535-05 (ORG) | NO | YES |
| MALAYSIA | I4 | | 52-12 | | | | | | | | | | |
| SHANGHAI | V4 | | 52-12 | | | | | | | | | | |

RXD-V818 (X14-48XX-XX)

| DESTINATION | COUNTRY | ABB | UNIT No. | (A) | (B) | (E) | (D) | R32,33 254-258 | D6,7 33-37 | D20,21, 31,32 | D30 | S12 | W2,34 |
|----------------|---------|-----|----------|-----|-----|-----|-----|-------------------|---------------|----------------------|----------------------|-----|-------|
| GENERAL MARKET | M3 | | 10-23 | YES | NO | NO | NO | YES | NO | B30-2508-05 (AMB) | B30-2535-05 (ORG) | NO | NO |
| MALAYSIA | I3 | | 52-11 | | | | | | | | | | |
| SHANGHAI | V3 | | 52-11 | | | | | | | | | | |

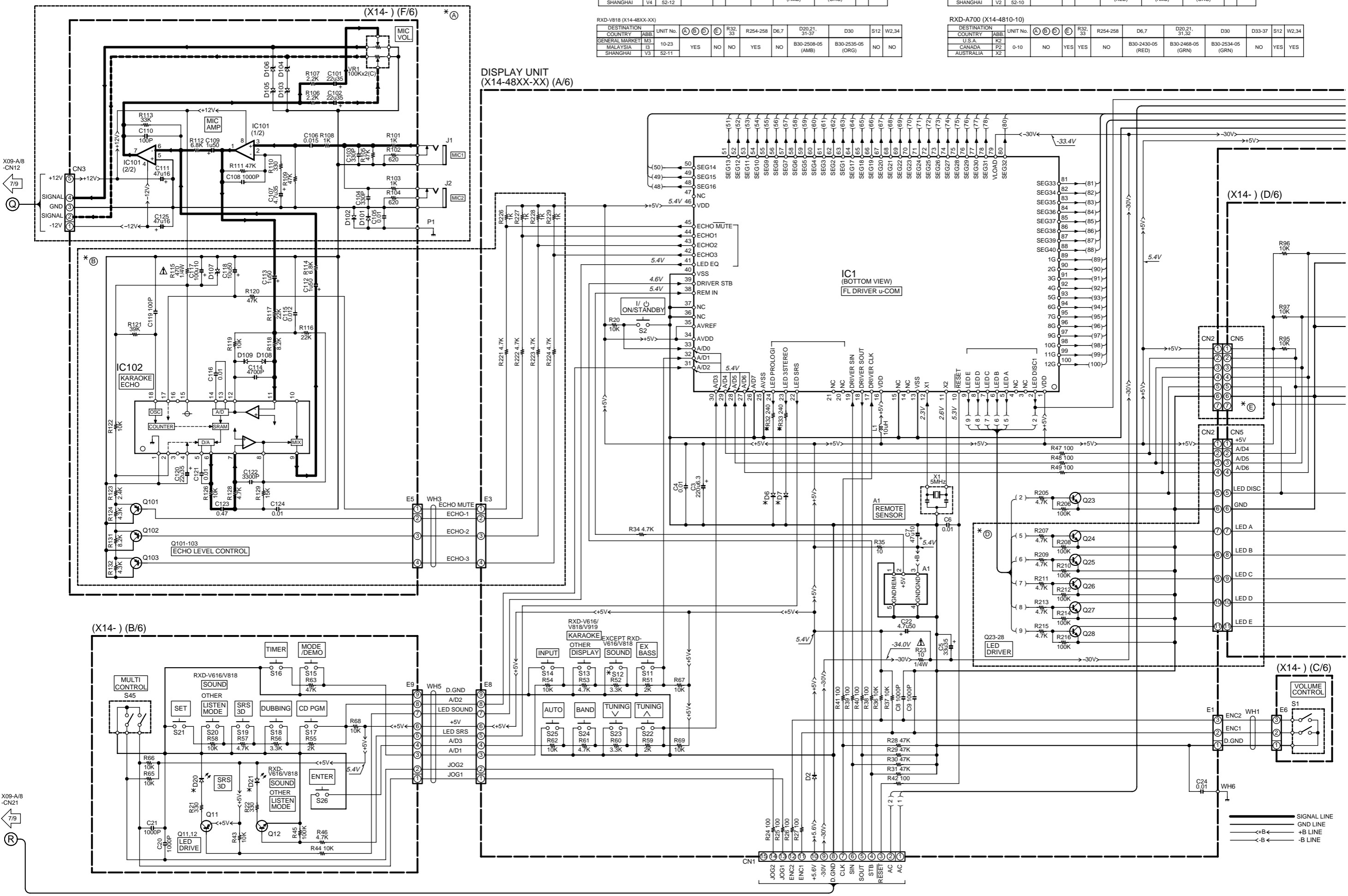
RXD-V919 (X14-48XX-XX)

| DESTINATION | COUNTRY | ABB | UNIT No. | (A) | (B) | (E) | (D) | R32,33 254-258 | D6,7 33-37 | D20,21, 31,32 | D30 | S12 | W2,34 | |
|----------------|---------|-----|----------|-----|-----|-----|-----|-------------------|---------------|----------------------|----------------------|----------------------|-------|----|
| GENERAL MARKET | M2 | | 10-24 | YES | NO | YES | NO | NO | NO | B30-2430-05 (RED) | B30-2508-05 (AMB) | B30-2535-05 (ORG) | YES | NO |
| MALAYSIA | I2 | | 52-10 | | | | | | | | | | | |
| SHANGHAI | V2 | | 52-10 | | | | | | | | | | | |

RXD-A700 (X14-4810-10)

| DESTINATION | COUNTRY | ABB | UNIT No. | (A) | (B) | (E) | (D) | R32,33 254-258 | D6,7 33-37 | D20,21, 31,32 | D30 | D33-37 | S12 | W2,34 |
|-------------|---------|-----|----------|-----|-----|-----|-----|-------------------|---------------|----------------------|----------------------|----------------------|-----|-------|
| U.S.A. | K2 | | 0-10 | NO | YES | YES | NO | NO | NO | B30-2430-05 (RED) | B30-2468-05 (GRN) | B30-2534-05 (GRN) | NO | YES |
| CANADA | P2 | | | | | | | | | | | | | |
| AUSTRALIA | X2 | | | | | | | | | | | | | |

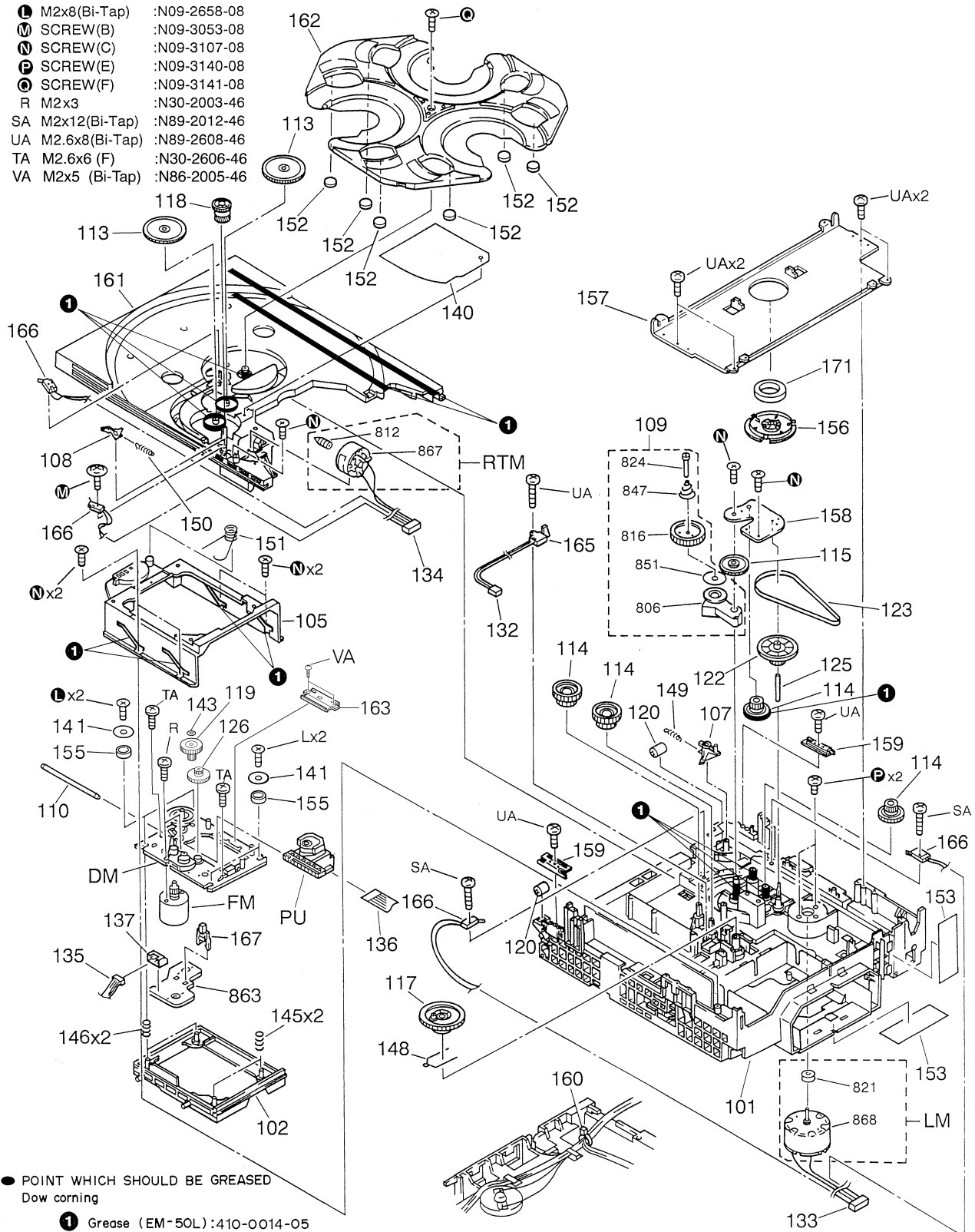
DISPLAY UNIT (X14-48XX-XX) (A/6)



————— SIGNAL LINE
 ————— GND LINE
 <-B <- +B LINE
 <-B <- -B LINE

EXPLODED VIEW (CD MECHANISM)

- L** M2x8(Bi-Tap) :N09-2658-08
- M** SCREW(B) :N09-3053-08
- N** SCREW(C) :N09-3107-08
- P** SCREW(E) :N09-3140-08
- Q** SCREW(F) :N09-3141-08
- R** M2x3 :N30-2003-46
- SA** M2x12(Bi-Tap) :N89-2012-46
- UA** M2.6x8(Bi-Tap) :N89-2608-46
- TA** M2.6x6 (F) :N30-2606-46
- VA** M2x5 (Bi-Tap) :N86-2005-46

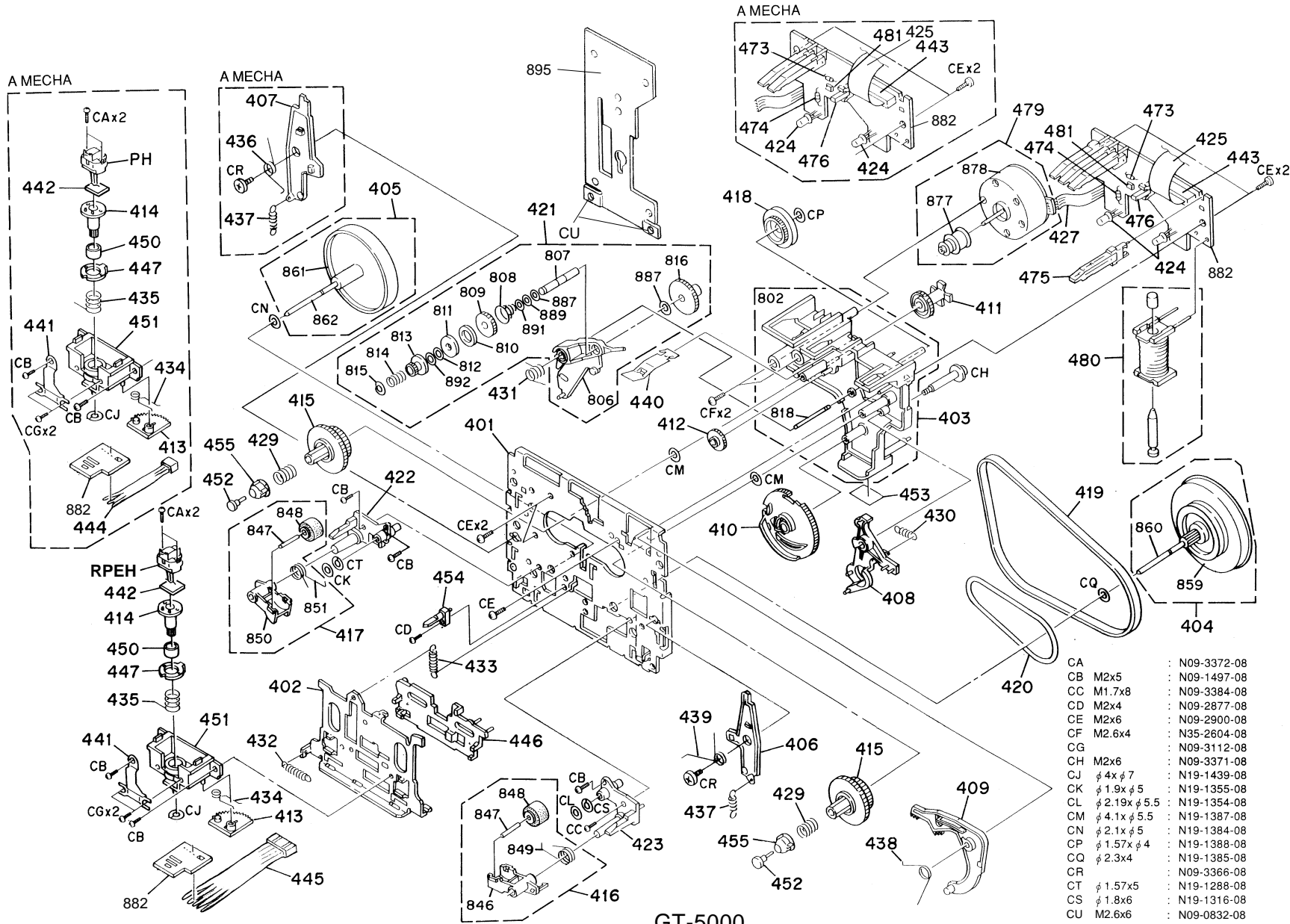


● POINT WHICH SHOULD BE GREASED
Dow corning
① Grease (EM-50L):410-0014-05

CDM-27

Parts with exploded numbers larger than 700 are not supplied.

EXPLODED VIEW (CASSETTE MECHANISM)

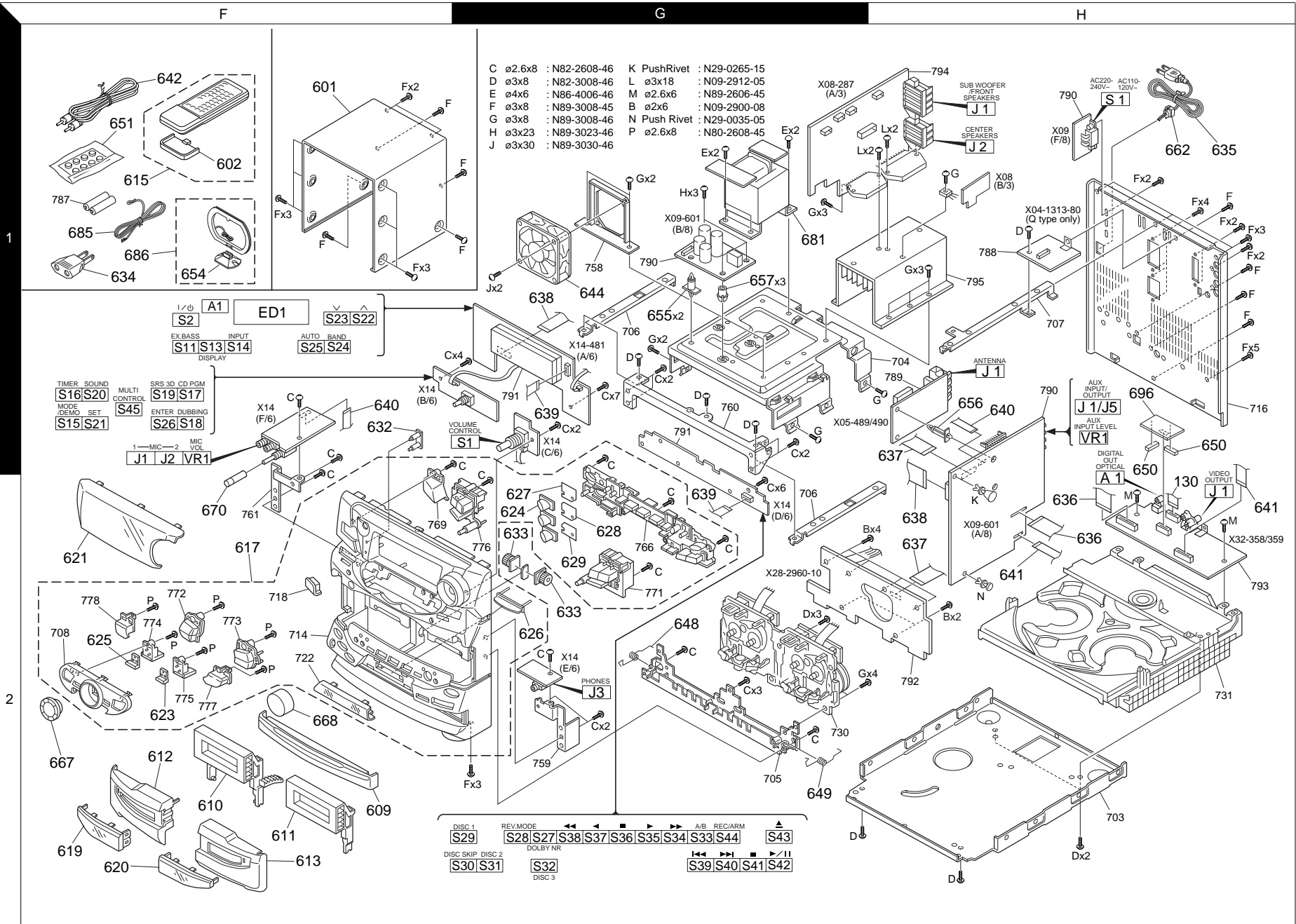


| | | |
|----|---------------|---------------|
| CA | : | N09-3372-08 |
| CB | M2x5 | : N09-1497-08 |
| CC | M1.7x8 | : N09-3384-08 |
| CD | M2x4 | : N09-2877-08 |
| CE | M2x6 | : N09-2900-08 |
| CF | M2.6x4 | : N35-2604-08 |
| CG | | : N09-3112-08 |
| CH | M2x6 | : N09-3371-08 |
| CJ | φ 4x φ 7 | : N19-1439-08 |
| CK | φ 1.9x φ 5 | : N19-1355-08 |
| CL | φ 2.19x φ 5.5 | : N19-1354-08 |
| CM | φ 4.1x φ 5.5 | : N19-1387-08 |
| CN | φ 2.1x φ 5 | : N19-1384-08 |
| CP | φ 1.57x φ 4 | : N19-1388-08 |
| CQ | φ 2.3x4 | : N19-1385-08 |
| CR | | : N09-3366-08 |
| CT | φ 1.57x5 | : N19-1288-08 |
| CS | φ 1.8x6 | : N19-1316-08 |
| CU | M2.6x6 | : N09-0832-08 |

GT-5000

Parts with exploded numbers larger than 700 are not supplied.

Parts with exploded numbers larger than 700 are not supplied.



EXPLODED VIEW (UNIT)

RXD-951/A700/A900/V616/V818/V919

* New Parts
Parts without **Parts No.** are not supplied.
Les articles non mentionnés dans le **Parts No.** ne sont pas fournis.
Teile ohne **Parts No.** werden nicht geliefert.

①

| Ref. No | Add-ress | New Parts | Parts No. | Description | Desti-nation | Re-marks |
|-------------------------------|----------|-----------|-------------|-------------------------------|--------------|----------|
| RXD-951/951E/951W/A900 | | | | | | |
| 601 | 1F | * | A01-3549-31 | METALLIC CABINET | | |
| 602 | 1F | * | A09-1117-08 | BATTERY COVER | | |
| 609 | 2F | * | A29-1019-02 | PANEL CD | | |
| 610 | 2F | * | A53-2034-12 | CASSETTE HOLDER(L) | | |
| 611 | 2F | * | A53-2035-12 | CASSETTE HOLDER(R) | | |
| 612 | 2F | * | A53-2067-02 | CASSETTE LID (L) | | |
| 613 | 2F | * | A53-2069-12 | CASSETTE LID (R) | | |
| 615 | 1F | * | A70-1220-05 | REMOTE CONTROL ASSY(RC-951) | K1P1Y1 | |
| 615 | 1F | * | A70-1220-05 | REMOTE CONTROL ASSY(RC-951) | M111X1 | |
| 615 | 1F | * | A70-1220-05 | REMOTE CONTROL ASSY(RC-951) | M5 | |
| 615 | 1F | * | A70-1221-05 | REMOTE CONTROL ASSY(RC-951R) | E1E2Q1 | |
| 617 | 2F | * | A60-1468-01 | PANEL ASSY | K1P1 | |
| 617 | 2F | * | A60-1470-01 | PANEL ASSY | X1M5 | |
| 617 | 2F | * | A60-1470-01 | PANEL ASSY | Y1M111 | |
| 617 | 2F | * | A60-1472-01 | PANEL ASSY | E1E2Q1 | |
| 619 | 2F | * | B10-2446-13 | FRONT GLASS (L) | | |
| 620 | 2F | * | B10-2447-13 | FRONT GLASS (R) | | |
| 621 | 2F | * | B10-2498-02 | FRONT GLASS | K1P1 | |
| 621 | 2F | * | B10-2499-02 | FRONT GLASS | E1E2Q1 | |
| 621 | 2F | * | B10-2500-02 | FRONT GLASS | X1M5 | |
| 621 | 2F | * | B10-2500-02 | FRONT GLASS | Y1M111 | |
| 623 | 2F | * | B19-1586-04 | LIGHTING BOARD | | |
| 624 | 2G | * | B19-1587-03 | LIGHTING BOARD | | |
| 625 | 2F | * | B19-1589-04 | LIGHTING BOARD | | |
| 626 | 2G | * | B19-1588-04 | LIGHTING BOARD | | |
| 627 | 2G | * | B11-0374-04 | SMOKED FILTER | | |
| 628 | 2G | * | B11-0378-04 | SMOKED FILTER | | |
| 629 | 2G | * | B11-0379-04 | SMOKED FILTER | | |
| 632 | 1F | * | B12-0347-04 | INDICATOR | | |
| - | | | B46-0096-53 | WARRANTY CARD | X1 | |
| - | | | B46-0310-03 | WARRANTY CARD | E1E2Q1 | |
| - | | | B46-0328-03 | WARRANTY CARD | K1Y1 | |
| - | | | B46-0336-03 | WARRANTY CARD | P1 | |
| - | | | B58-0513-04 | CAUTION CARD (PRESET220-240) | Y1 | |
| - | | | B58-0964-13 | CAUTION CARD (UL) | K1Y1 | |
| - | | * | B58-0965-13 | CAUTION CARD (T,XtypePL) | X1 | |
| - | | * | B58-0966-13 | CAUTION CARD (ELMtypePL) | E2M5 | |
| - | | * | B58-0966-13 | CAUTION CARD (ELMtypePL) | M111E1 | |
| - | | * | B58-0967-03 | CAUTION CARD (PtypePL) | P1 | |
| - | | * | B58-1526-03 | CAUTION CARD (P4,ORI,A4,1(Q)) | Q1 | |
| - | | * | B58-1569-04 | CAUTION CARD | | |
| - | | * | B59-1104-00 | SERVICE DIRECTORY | Y1 | |
| - | | * | B60-3907-00 | INSTRUCTION MANUAL(ENGLISH) | E2Q1M5 | |
| - | | * | B60-3907-00 | INSTRUCTION MANUAL(ENGLISH) | K1P1Y1 | |
| - | | * | B60-3907-00 | INSTRUCTION MANUAL(ENGLISH) | M111X1 | |
| - | | * | B60-3908-00 | INSTRUCTION MANUAL(FRENCH) | P1 | |
| - | | * | B60-3909-00 | INSTRUCTION MANUAL(SPANISH) | M1E1M5 | |
| - | | * | B60-3910-00 | INSTRUCTION MANUAL(GERMAN) | E1 | |
| - | | * | B60-3911-00 | INSTRUCTION MANUAL(ITALIAN) | E1 | |
| - | | * | B60-3912-00 | INSTRUCTION MANUAL(DUTCH) | E1 | |
| - | | * | B60-3913-00 | INSTRUCTION MANUAL(TAIWANESE) | M111M5 | |
| - | | * | B60-3914-00 | INSTRUCTION MANUAL(PH) | E2 | |
| - | | * | B60-3915-00 | INSTRUCTION MANUAL(HG) | E2 | |

L : Scandinavia K : USA P : Canada R : Mexico C : China I : Malaysia
Y : PX(Far East, Hawaii) T : Europe E : Europe G : Germany V : China(Shanghai)
Y : AAFES(Europe) X : Australia Q : Russia H : Korea M : Other Areas Δ indicates safety critical components.

* New Parts
Parts without **Parts No.** are not supplied.
Les articles non mentionnés dans le **Parts No.** ne sont pas fournis.
Teile ohne **Parts No.** werden nicht geliefert.

②

| Ref. No | Add-ress | New Parts | Parts No. | Description | Desti-nation | Re-marks |
|--------------|----------|-----------|-------------|-------------------------------|--------------|----------|
| - | | * | B60-3916-00 | INSTRUCTION MANUAL(CZ) | E2 | |
| - | | * | B60-3917-00 | INSTRUCTION MANUAL(R) | Q1 | |
| - | | * | B60-4054-00 | INSTRUCTION MANUAL(FRENCH) | E1 | |
| 633 | 2F | | D39-0334-15 | DAMPER | | |
| Δ 634 | 1F | * | E03-0115-05 | AC PLUG ADAPTER | M111M5 | |
| Δ 635 | 1H | * | E30-2592-15 | AC POWER CORD | E2Q1M5 | |
| Δ 635 | 1H | * | E30-2592-15 | AC POWER CORD | M111E1 | |
| Δ 635 | 1H | * | E30-2605-05 | AC POWER CORD | Y1 | |
| Δ 635 | 1H | * | E30-2650-05 | AC POWER CORD | K1P1 | |
| Δ 635 | 1H | * | E30-2717-05 | AC POWER CORD | X1 | |
| 636 | 2H | * | E35-2136-05 | FLAT CABLE (25P) | | |
| 637 | 1H, 2H | * | E35-2137-05 | FLAT CABLE (17P) | | |
| 638 | 1G, 2H | * | E35-2138-15 | FLAT CABLE (15P) | | |
| 639 | 1G, 2G | * | E35-2139-05 | FLAT CABLE (11P) | | |
| 640 | 1F, 1H | * | E35-2194-05 | FLAT CABLE (5P) | X1M5 | |
| 640 | 1F, 1H | * | E35-2194-05 | FLAT CABLE (5P) | Y1M111 | |
| 644 | 1G, 2G | | F09-0137-05 | FAN | | |
| 648 | 2G | * | G01-4042-24 | TORSION COIL SPRING(L) | | |
| 649 | 2G | * | G01-4043-24 | TORSION COIL SPRING(R) | | |
| 651 | 1F | * | G11-2345-04 | CUSHION (ACCESSORY) | | |
| - | | * | G10-0452-04 | NON-WOVEN FABRIC | | |
| - | | * | G11-0155-14 | SOFT TAPE (40X9X2) | | |
| - | | * | H13-0086-04 | CARTON BOARD | | |
| - | | * | H10-7435-12 | POLYSTYRENE FOAMED FIXTURE(L) | | |
| - | | * | H10-7436-12 | POLYSTYRENE FOAMED FIXTURE(R) | | |
| - | | * | H25-0632-24 | PROTECTION BAG | | |
| - | | * | H25-1536-04 | PROTECTION BAG | E2Q1 | |
| - | | * | H25-1536-04 | PROTECTION BAG | I1X1E1 | |
| - | | * | H25-1536-04 | PROTECTION BAG | K1P1Y1 | |
| - | | * | H25-1611-04 | PROTECTION BAG | M1M5 | |
| - | | * | H50-3012-04 | ITEM CARTON CASE | K1P1 | |
| - | | * | H50-3013-04 | ITEM CARTON CASE | Y1X1 | |
| - | | * | H50-3014-04 | ITEM CARTON CASE | E1 | |
| - | | * | H50-3015-04 | ITEM CARTON CASE | M111M5 | |
| - | | * | H50-3016-04 | ITEM CARTON CASE | Q1 | |
| - | | * | H50-3072-04 | ITEM CARTON CASE | E2 | |
| 654 | 1F | * | J19-3645-05 | ANTENNA STAND | | |
| 655 | 1G | * | J19-3327-05 | UNIT HOLDER | | |
| 656 | 1H | * | J19-3329-05 | UNIT HOLDER | | |
| 657 | 1G | * | J19-3752-14 | UNIT HOLDER | | |
| Δ 662 | 1H | * | J42-0083-05 | POWER CORD BUSHING | | |
| - | | * | J19-2808-05 | HOLDER | M1M5 | |
| - | | * | J52-0039-05 | PUSH LATCH | | |
| - | | * | J61-0307-05 | WIRE BAND | | |
| 667 | 2F | * | K29-6925-04 | KNOB(MULTI CONTROL) | | |
| 668 | 2F | * | K29-7343-04 | KNOB(VOLUME CONTROL) | | |
| 670 | 2F | * | K29-7344-04 | KNOB(MIC VOLUME) | X1M5 | |
| 670 | 2F | * | K29-7344-04 | KNOB(MIC VOLUME) | Y1M111 | |
| 681 | 1G | * | L07-2536-05 | POWER TRANSFORMER | K1P1 | |
| 681 | 1G | * | L07-2537-05 | POWER TRANSFORMER | E1E2Q1 | |
| 681 | 1G | * | L07-2538-05 | POWER TRANSFORMER | M5 | |
| 681 | 1G | * | L07-2538-05 | POWER TRANSFORMER | Y1M111 | |

L : Scandinavia K : USA P : Canada R : Mexico C : China I : Malaysia
Y : PX(Far East, Hawaii) T : Europe E : Europe G : Germany V : China(Shanghai)
Y : AAFES(Europe) X : Australia Q : Russia H : Korea M : Other Areas Δ indicates safety critical components.

PARTS LIST

RXD-951/A700/A900/M616/M818/M919

* New Parts

Parts without **Parts No.** are not supplied.
Les articles non mentionnés dans le **Parts No.** ne sont pas fournis.
Teile ohne **Parts No.** werden nicht geliefert.

3

| Ref. No | Add-ress | New Parts | Parts No. | Description | Desti-nation | Re-marks |
|--|----------|-----------|-------------|------------------------------|--------------|----------|
| 681 | 1G | * | L07-2539-05 | POWER TRANSFORMER | X1 | |
| 685 | 1F | | T90-0801-05 | LEAD WIRE ANTENNA | K1P1Y1 | |
| 685 | 1F | | T90-0801-05 | LEAD WIRE ANTENNA | M111X1 | |
| 685 | 1F | | T90-0801-05 | LEAD WIRE ANTENNA | M5 | |
| 685 | 1F | | T90-0836-05 | LEAD WIRE ANTENNA | E1E2Q1 | |
| 686 | 1F | | T90-0833-05 | LOOP ANTENNA | | |
| RXD-A700/A700E/A700W/V616/V818/V919 | | | | | | |
| 601 | 1F | * | A01-3549-31 | METALLIC CABINET | | |
| 602 | 2F | * | A09-1117-08 | BATTERY COVER | | |
| 609 | 2F | * | A29-0896-22 | PANEL(CD) | K2P2X2 | |
| 609 | 2F | * | A29-0896-22 | PANEL(CD) | Q2E3 | |
| 609 | 2F | * | A29-1015-02 | PANEL(CD) | I2I3I4 | |
| 609 | 2F | * | A29-1015-02 | PANEL(CD) | M2M3M4 | |
| 609 | 2F | * | A29-1015-02 | PANEL(CD) | V2V3V4 | |
| 610 | 2F | * | A53-2034-12 | CASSETTE HOLDER(L) | | |
| 611 | 2F | * | A53-2035-12 | CASSETTE HOLDER(R) | | |
| 612 | 2F | * | A53-2036-12 | CASSETTE LID (L) | K2P2X2 | |
| 612 | 2F | * | A53-2036-12 | CASSETTE LID (L) | Q2E3 | |
| 612 | 2F | * | A53-2067-02 | CASSETTE LID (L) | I2I3I4 | |
| 612 | 2F | * | A53-2067-02 | CASSETTE LID (L) | M2M3M4 | |
| 612 | 2F | * | A53-2067-02 | CASSETTE LID (L) | V2V3V4 | |
| 613 | 2F | * | A53-2037-22 | CASSETTE LID (R) | K2P2X2 | |
| 613 | 2F | * | A53-2069-12 | CASSETTE LID (R) | Q2E3 | |
| 613 | 2F | * | A53-2069-12 | CASSETTE LID (R) | I2I3I4 | |
| 613 | 2F | * | A53-2069-12 | CASSETTE LID (R) | M2M3M4 | |
| 613 | 2F | * | A53-2069-12 | CASSETTE LID (R) | V2V3V4 | |
| 615 | 1F | * | A70-1218-05 | REMOTE CONTROL ASSY(RC-V919) | M2I2V2 | |
| 615 | 1F | * | A70-1219-05 | REMOTE CONTROL ASSY(RC-V818) | M3I3V3 | |
| 615 | 1F | * | A70-1219-05 | REMOTE CONTROL ASSY(RC-V818) | M4I4V4 | |
| 615 | 1F | * | A70-1220-05 | REMOTE CONTROL ASSY(RC-951) | K2P2X2 | |
| 615 | 1F | * | A70-1221-05 | REMOTE CONTROL ASSY(RC-951R) | Q2E3 | |
| 617 | 2F | * | A60-1463-01 | PANEL ASSY | M2I2V2 | |
| 617 | 2F | * | A60-1465-01 | PANEL ASSY | M3I3V3 | |
| 617 | 2F | * | A60-1466-01 | PANEL ASSY | M4I4V4 | |
| 617 | 2F | * | A60-1467-01 | PANEL ASSY | K2P2 | |
| 617 | 2F | * | A60-1481-01 | PANEL ASSY | X2Q2E3 | |
| 619 | 2F | * | B10-2446-13 | FRONT GLASS | | |
| 620 | 2F | * | B10-2447-13 | FRONT GLASS | | |
| 621 | 2F | * | B10-2494-02 | FRONT GLASS | M2I2V2 | |
| 621 | 2F | * | B10-2495-02 | FRONT GLASS | M3I3V3 | |
| 621 | 2F | * | B10-2496-02 | FRONT GLASS | M4I4V4 | |
| 621 | 2F | * | B10-2497-02 | FRONT GLASS | K2P2X2 | |
| 621 | 2F | * | B10-3439-02 | FRONT GLASS | Q2E3 | |
| 623 | 2F | * | B19-1586-04 | LIGHTING BOARD | | |
| 624 | 2G | * | B19-1587-03 | LIGHTING BOARD | | |
| 625 | 2F | * | B19-1589-04 | LIGHTING BOARD | | |
| 626 | 2G | * | B19-1588-04 | LIGHTING BOARD | M2I2V2 | |
| 626 | 2G | * | B19-1588-04 | LIGHTING BOARD | M3I3V3 | |
| 627 | 2G | * | B11-0374-04 | SMOKED FILTER | | |
| 628 | 2G | * | B11-0378-04 | SMOKED FILTER | | |
| 629 | 2G | * | B11-0379-04 | SMOKED FILTER | | |
| 632 | 1F | * | B12-0347-04 | INDICATOR | K2P2X2 | |
| 632 | 1F | * | B12-0347-04 | INDICATOR | M4I4V4 | |
| 632 | 1F | * | B12-0347-04 | INDICATOR | Q2E3 | |

L : Scandinavia K : USA P : Canada R : Mexico C : China I : Malaysia
Y : PX(Far East, Hawaii) T : Europe E : Europe G : Germany V : China(Shanghai)
Y : AAFES(Europe) X : Australia Q : Russia H : Korea M : Other Areas Δ indicates safety critical components.

* New Parts

Parts without **Parts No.** are not supplied.
Les articles non mentionnés dans le **Parts No.** ne sont pas fournis.
Teile ohne **Parts No.** werden nicht geliefert.

4

| Ref. No | Add-ress | New Parts | Parts No. | Description | Desti-nation | Re-marks |
|--------------|----------|-----------|-------------|--------------------------------|--------------|----------|
| - | | | B46-0096-53 | WARRANTY CARD | X2 | |
| - | | | B46-0310-03 | WARRANTY CARD | Q2E3 | |
| - | | | B46-0328-03 | WARRANTY CARD | K2 | |
| - | | * | B46-0329-03 | WARRANTY CARD | V2V3V4 | |
| - | | | B46-0336-03 | WARRANTY CARD | P2 | |
| - | | | B58-0964-13 | CAUTION CARD (UL) | K2 | |
| - | | * | B58-0965-13 | CAUTION CARD (T.XtypePL) | X2 | |
| - | | * | B58-0966-13 | CAUTION CARD (ELMtypePL) | I2I3I4 | |
| - | | * | B58-0966-13 | CAUTION CARD (ELMtypePL) | M2M3M4 | |
| - | | * | B58-0966-13 | CAUTION CARD (ELMtypePL) | Q2E3 | |
| - | | * | B58-0967-03 | CAUTION CARD (PtypePL) | P2 | |
| - | | * | B58-1537-13 | CAUTION CARD | V2V3V4 | |
| - | | * | B58-1546-03 | CAUTION CARD | V2V3V4 | |
| - | | * | B58-1569-04 | CAUTION CARD | | |
| - | | * | B60-3898-00 | INSTRUCTION MANUAL(ENGLISH) | I2I3I4 | |
| - | | * | B60-3898-00 | INSTRUCTION MANUAL(ENGLISH) | M2M3M4 | |
| - | | * | B60-3899-00 | INSTRUCTION MANUAL(SPANISH) | M3 | |
| - | | * | B60-3900-00 | INSTRUCTION MANUAL(TWAIWANESE) | I2I3I4 | |
| - | | * | B60-3900-00 | INSTRUCTION MANUAL(TWAIWANESE) | M2M3M4 | |
| - | | * | B60-3901-00 | INSTRUCTION MANUAL(CHINESE) | V2V3V4 | |
| - | | * | B60-3907-00 | INSTRUCTION MANUAL(ENGLISH) | K2P2X2 | |
| - | | * | B60-3907-00 | INSTRUCTION MANUAL(ENGLISH) | Q2E3 | |
| - | | * | B60-3908-00 | INSTRUCTION MANUAL(FRENCH) | P2 | |
| - | | * | B60-3914-00 | INSTRUCTION MANUAL(PH) | E3 | |
| - | | * | B60-3915-00 | INSTRUCTION MANUAL(HG) | E3 | |
| - | | * | B60-3916-00 | INSTRUCTION MANUAL(CZ) | E3 | |
| - | | * | B60-3917-00 | INSTRUCTION MANUAL(R) | Q2 | |
| 633 | 2F | | D39-0334-15 | DAMPER | | |
| Δ 634 | 1F | | E03-0115-05 | AC PLUG ADAPTER | I2I3I4 | |
| Δ 634 | 1F | | E03-0115-05 | AC PLUG ADAPTER | M2M3M4 | |
| Δ 635 | 1H | | E30-2592-15 | AC POWER CORD | I2I3I4 | |
| Δ 635 | 1H | | E30-2592-15 | AC POWER CORD | M2M3M4 | |
| Δ 635 | 1H | | E30-2592-15 | AC POWER CORD | Q2E3 | |
| Δ 635 | 1H | | E30-2650-05 | AC POWER CORD | K2P2 | |
| Δ 635 | 1H | | E30-2717-05 | AC POWER CORD | X2 | |
| Δ 635 | 1H | | E30-2824-15 | AC POWER CORD | V2V3V4 | |
| 636 | 2H | | E35-2136-05 | FLAT CABLE | K2P2X2 | |
| 636 | 2H | | E35-2136-05 | FLAT CABLE | Q2E3 | |
| 636 | 2H | | E35-2235-05 | FLAT CABLE | I2I3I4 | |
| 636 | 2H | | E35-2235-05 | FLAT CABLE | M2M3M4 | |
| 636 | 2H | | E35-2235-05 | FLAT CABLE | V2V3V4 | |
| 637 | 1H, 2H | | E35-2137-05 | FLAT CABLE | | |
| 638 | 1G, 2H | | E35-2138-15 | FLAT CABLE | | |
| 639 | 1G, 2G | | E35-2139-05 | FLAT CABLE | M2I2V2 | |
| 639 | 1G, 2G | | E35-2139-05 | FLAT CABLE | M3I3V3 | |
| 639 | 1G, 2G | | E35-2147-05 | FLAT CABLE | K2P2X2 | |
| 639 | 1G, 2G | | E35-2147-05 | FLAT CABLE | M4I4V4 | |
| 639 | 1G, 2G | | E35-2147-05 | FLAT CABLE | Q2E3 | |
| 640 | 1F, 1H | | E35-2173-05 | FLAT CABLE | V2V3V4 | |
| 640 | 1F, 1H | | E35-2194-05 | FLAT CABLE | I2I3I4 | |
| 640 | 1F, 1H | | E35-2194-05 | FLAT CABLE | M2M3M4 | |
| 640 | 1F, 1H | | E35-2194-05 | FLAT CABLE | V2V3V4 | |
| 641 | 2H | | E35-2173-05 | FLAT CABLE | I2I3I4 | |

L : Scandinavia K : USA P : Canada R : Mexico C : China I : Malaysia
Y : PX(Far East, Hawaii) T : Europe E : Europe G : Germany V : China(Shanghai)
Y : AAFES(Europe) X : Australia Q : Russia H : Korea M : Other Areas Δ indicates safety critical components.

PARTS LIST

RXD-951/A700/A900/V616/V818/V919

* New Parts
Parts without **Parts No.** are not supplied.
Les articles non mentionnés dans le **Parts No.** ne sont pas fournis.
Teile ohne **Parts No.** werden nicht geliefert.

5

| Ref. No | Add-ress | New Parts | Parts No. | Description | Desti-nation | Re-marks |
|---------|----------|-----------|-------------|-------------------------------|--------------|----------|
| 641 | 2H | | E35-2173-05 | FLAT CABLE | M2M3M4 | |
| 642 | 1F | | E30-1427-05 | AUDIO CORD | I2I3I4 | |
| 642 | 1F | | E30-1427-05 | AUDIO CORD | M2M3M4 | |
| 642 | 1F | | E30-1427-05 | AUDIO CORD | V2V3V4 | |
| 644 | 1G, 2G | | F09-0137-05 | FAN | | |
| 648 | 2G | | G01-4042-24 | TORSION COIL SPRING | | |
| 649 | 2G | | G01-4043-24 | TORSION COIL SPRING | | |
| 650 | 1H | * | G11-2411-04 | CUSHION | I2I3I4 | |
| 650 | 1H | * | G11-2411-04 | CUSHION | M2M3M4 | |
| 650 | 1H | * | G11-2411-04 | CUSHION | V2V3V4 | |
| 651 | 1F | | G11-2345-04 | CUSHION | | |
| - | - | | G10-0452-04 | NON-WOVEN FABRIC | | |
| - | - | | G11-0155-14 | SOFT TAPE (40X9X2) | | |
| - | - | | H10-7435-12 | POLYSTYRENE FOAMED FIXTURE(L) | | |
| - | - | | H10-7436-12 | POLYSTYRENE FOAMED FIXTURE(R) | | |
| - | - | | H13-0086-04 | CARTON BOARD | | |
| - | - | | H13-0086-04 | CARTON BOARD | | |
| - | - | | H25-0632-24 | PROTECTION BAG | | |
| - | - | | H25-0632-24 | PROTECTION BAG | | |
| - | - | | H25-1536-04 | PROTECTION BAG | I2I3I4 | |
| - | - | | H25-1536-04 | PROTECTION BAG | K2P2X2 | |
| - | - | | H25-1536-04 | PROTECTION BAG | Q2E3 | |
| - | - | | H25-1611-04 | PROTECTION BAG | M2M3M4 | |
| - | - | | H25-1611-04 | PROTECTION BAG | | |
| - | - | * | H50-3008-04 | ITEM CARTON CASE | V2V3V4 | |
| - | - | * | H50-3009-04 | ITEM CARTON CASE | M2I2 | |
| - | - | * | H50-3010-04 | ITEM CARTON CASE | M3I3 | |
| - | - | * | H50-3011-04 | ITEM CARTON CASE | M4I4 | |
| - | - | * | H50-3011-04 | ITEM CARTON CASE | K2P2X2 | |
| - | - | * | H50-3024-14 | ITEM CARTON CASE | V2 | |
| - | - | * | H50-3025-14 | ITEM CARTON CASE | V3 | |
| - | - | * | H50-3026-14 | ITEM CARTON CASE | V4 | |
| - | - | * | H50-3170-04 | ITEM CARTON CASE | E3 | |
| - | - | * | H50-3171-04 | ITEM CARTON CASE | Q2 | |
| 654 | 1F | | J19-3645-05 | ANTENNA STAND | | |
| 655 | 1G | | J19-3327-05 | UNIT HOLDER | | |
| 656 | 1H | | J19-3329-05 | UNIT HOLDER | | |
| 657 | 1G | | J19-3752-14 | UNIT HOLDER | | |
| △ 662 | 1H | | J42-0083-05 | POWER CORD BUSHING | | |
| - | - | | J52-0039-05 | PUSH LATCH | | |
| - | - | | J61-0307-05 | WIRE BAND | | |
| 667 | 2F | | K29-6925-04 | KNOB(MULTI CONTROL) | | |
| 668 | 2F | | K29-6923-14 | KNOB(MAIN VOLUME CONTROL) | K2P2X2 | |
| 668 | 2F | | K29-6923-14 | KNOB(MAIN VOLUME CONTROL) | Q2E3 | |
| 668 | 2F | * | K29-7343-04 | KNOB(MAIN VOLUME CONTROL) | I2I3I4 | |
| 668 | 2F | * | K29-7343-04 | KNOB(MAIN VOLUME CONTROL) | M2M3M4 | |
| 668 | 2F | * | K29-7343-04 | KNOB(MAIN VOLUME CONTROL) | V2V3V4 | |
| 670 | 2F | * | K29-7344-04 | KNOB(MIC VOLUME) | I2I3I4 | |
| 670 | 2F | * | K29-7344-04 | KNOB(MIC VOLUME) | M2M3M4 | |
| 670 | 2F | * | K29-7344-04 | KNOB(MIC VOLUME) | V2V3V4 | |
| 681 | 1G | * | L07-2534-05 | POWER TRANSFORMER | M2I2 | |
| 681 | 1G | * | L07-2534-05 | POWER TRANSFORMER | M3I3 | |
| 681 | 1G | * | L07-2535-05 | POWER TRANSFORMER | M4I4 | |
| 681 | 1G | * | L07-2540-05 | POWER TRANSFORMER | K2P2 | |

L : Scandinavia K : USA P : Canada R : Mexico C : China I : Malaysia
Y : PX(Far East, Hawaii) T : Europe E : Europe G : Germany V : China(Shanghai)
Y : AAFES(Europe) X : Australia Q : Russia H : Korea M : Other Areas △ indicates safety critical components.

* New Parts
Parts without **Parts No.** are not supplied.
Les articles non mentionnés dans le **Parts No.** ne sont pas fournis.
Teile ohne **Parts No.** werden nicht geliefert.

6

| Ref. No | Add-ress | New Parts | Parts No. | Description | Desti-nation | Re-marks |
|--------------------------------------|----------|-----------|---------------|---------------------------|--------------|----------|
| 681 | 1G | * | L07-2570-05 | POWER TRANSFORMER | X2 | |
| 681 | 1G | * | L07-2571-05 | POWER TRANSFORMER | V4 | |
| 681 | 1G | * | L07-2572-05 | POWER TRANSFORMER | V2V3 | |
| 681 | 1G | * | L07-2642-05 | POWER TRANSFORMER | E3 | |
| 681 | 1G | * | L07-2643-05 | POWER TRANSFORMER | Q2 | |
| 685 | 1F | | T90-0801-05 | LEAD WIRE ANTENNA | | |
| 686 | 1F | | T90-0833-05 | LOOP ANTENNA | | |
| 696 | 1F | * | W02-2634-05 | ELECTRIC CIRCUIT MODULE | I2I3I4 | |
| 696 | 1F | * | W02-2634-05 | ELECTRIC CIRCUIT MODULE | M2M3M4 | |
| 696 | 1F | * | W02-2634-05 | ELECTRIC CIRCUIT MODULE | V2V3V4 | |
| MPX UNIT (X04-1313-80) Q only | | | | | | |
| C1 | | | CE04LW1H010M | ELECTRO | 1.0UF | 50WV |
| C2, 3 | | | C91-1566-05 | PF-C | 0.01UF | G |
| C4 | | | CE04LW1A470M | ELECTRO | 47UF | 10WV |
| C5, 6 | | | CQ93FMG1H102J | MYLAR | 1000PF | J |
| C7 | | | CC45FSL1H331J | CERAMIC | 330PF | J |
| C8 | | | CK45FB1H102K | CERAMIC | 1000PF | K |
| C9 | | | CC93FCH1H471J | CERAMIC | 470PF | J |
| C10, 11 | | | CE04LW1HR47M | ELECTRO | 0.47UF | 50WV |
| C12 | | | CK45FF1H473Z | CERAMIC | 0.047UF | Z |
| C13~15 | | | CE04LW1H010M | ELECTRO | 1.0UF | 50WV |
| C16 | | | CK45FF1H103Z | CERAMIC | 0.010UF | Z |
| C17, 18 | | | CE04LW1H2R2M | ELECTRO | 2.2UF | 50WV |
| C19, 20 | | | CQ93FMG1H682J | MYLAR | 6800PF | J |
| C21 | | | CK45FF1H103Z | CERAMIC | 0.010UF | Z |
| C22 | | | CE04LW1A470M | ELECTRO | 47UF | 10WV |
| C23, 24 | | | CQ93FMG1H472J | MYLAR | 4700PF | J |
| C25 | | | CC45FSL1H121J | CERAMIC | 120PF | J |
| C26 | | | CE04LW1H2R2M | ELECTRO | 2.2UF | 50WV |
| TC1 | | | C05-0463-05 | CERAMIC TRIMMER CAPACITOR | (120P) | |
| CN1 | | | E40-8288-05 | FLAT CABLE CONNECTOR | | |
| CN2, 3 | | | E40-4871-05 | PIN ASSY | | |
| CN6 | | | E40-4872-05 | PIN ASSY | | |
| L1 | | | L39-1350-05 | PEAKING COIL | | |
| L2, 3 | | | L79-1236-05 | LC FILTER | | |
| L4 | | | L40-1021-14 | SMALL FIXED INDUCTOR | (1.0MH,K) | |
| △ R9 | | | RS14KB3A221J | FL-PROOF RS | 220 | J 1W |
| VR1 | | | R12-3685-05 | TRIMMING POT. | (10K) | |
| VR2 | | | R12-1619-05 | TRIMMING POT. | (4.7K) | |
| D1 | | | HZS5.1N(B2) | ZENER DIODE | | |
| D1 | | | MTZJ5.1(B) | ZENER DIODE | | |
| D2, 3 | | | HSS104 | DIODE | | |
| D2, 3 | | | 1SS133 | DIODE | | |
| D4 | | | HZS5.1N(B2) | ZENER DIODE | | |
| D4 | | | MTZJ5.1(B) | ZENER DIODE | | |
| D6, 7 | | | HSS104 | DIODE | | |
| D6, 7 | | | 1SS133 | DIODE | | |
| IC1 | | | IR3R42 | ANALOGUE IC | | |
| IC2 | | | NJM4565D | ANALOGUE IC | | |
| IC3 | | | TC4052BP | IC(4CH MPX/DE-MPX) | | |
| Q1 | | | 2SA1175(F,E) | TRANSISTOR | | |
| Q1 | | | 2SA933AS(Q,R) | TRANSISTOR | | |
| Q5 | | | DTC124ESA | DIGITAL TRANSISTOR | | |

L : Scandinavia K : USA P : Canada R : Mexico C : China I : Malaysia
Y : PX(Far East, Hawaii) T : Europe E : Europe G : Germany V : China(Shanghai)
Y : AAFES(Europe) X : Australia Q : Russia H : Korea M : Other Areas △ indicates safety critical components.

* New Parts

Parts without **Parts No.** are not supplied.

Les articles non mentionnés dans le **Parts No.** ne sont pas fournis.

Teile ohne **Parts No.** werden nicht geliefert.

7

| Ref. No | Add-ress | New Parts | Parts No. | Description | Desti-nation | Re-marks |
|-------------------------------------|----------|-----------|---------------|-------------------------|--------------|----------|
| Q5 | | | UN4212 | DIGITAL TRANSISTOR | | |
| TUNER UNIT (X05-489/492X-XX) | | | | | | |
| C1, 2 | | | CK73FB1H103K | CHIP C | 0.010UF | K |
| C3 | | | CC73FCH1H040C | CHIP C | 4.0PF | C |
| C5 | | | CK73FB1H222K | CHIP C | 2200PF | K |
| C7 | | | CK73FB1H102K | CHIP C | 1000PF | K |
| C8 | | | CK73FB1H103K | CHIP C | 0.010UF | K |
| C9 | | | CE04LW1C100M | ELECTRO | 10UF | 16WV |
| C10 | | | CK73FB1H473K | CHIP C | 0.047UF | K |
| C11 | | | CE04LW1H010M | ELECTRO | 1.0UF | 50WV |
| C12 | | | CE04LW1H2R2M | ELECTRO | 2.2UF | 50WV |
| C13 | | | CK73FB1H102K | CHIP C | 1000PF | K |
| C14 | | | CE04LW1H010M | ELECTRO | 1.0UF | 50WV |
| C15 | | | CC73FCH1H220J | CHIP C | 22PF | J |
| C16 | | | CE04LW1C100M | ELECTRO | 10UF | 16WV |
| C17 | | | CK73FB1H562K | CHIP C | 5600PF | K |
| C18 | | | CK73FB1H102K | CHIP C | 1000PF | K |
| C19 | | | CE04HW1E4R7M | NP-ELEC | 4.7UF | 25WV |
| C20 | | | CK73FB1E104K | CHIP C | 0.10UF | K |
| C21, 22 | | | CQ93FMG1H123J | MYLAR | 0.012UF | J |
| C21, 22 | | | CQ93FMG1H123J | MYLAR | 0.012UF | J |
| C21, 22 | | | CQ93FMG1H123J | MYLAR | 0.012UF | J |
| C21, 22 | | | CQ93FMG1H123J | MYLAR | 0.012UF | J |
| C21, 22 | | | CQ93FMG1H183J | MYLAR | 0.018UF | J |
| C21, 22 | | | CQ93FMG1H183J | MYLAR | 0.018UF | J |
| C23 | | | CE04LW1H010M | ELECTRO | 1.0UF | 50WV |
| C25 | | | CE04LW1C100M | ELECTRO | 10UF | 16WV |
| C26 | | | CE04LW1C470M | ELECTRO | 47UF | 16WV |
| C27 | | | CE04LW1H010M | ELECTRO | 1.0UF | 50WV |
| C28 | | | CQ93FMG1H223J | MYLAR | 0.022UF | J |
| C29 | | | CE04LW1H2R2M | ELECTRO | 2.2UF | 50WV |
| C30 | | | CE04LW1C101M | ELECTRO | 100UF | 16WV |
| C31 | | | CE04LW1A470M | ELECTRO | 47UF | 10WV |
| C32 | | | CK73FB1H103K | CHIP C | 0.010UF | K |
| C33 | | | CC73FSL1H101J | CHIP C | 100PF | J |
| C34, 35 | | | CK73FB1H102K | CHIP C | 1000PF | K |
| C36 | | | CC73FCH1H120J | CHIP C | 12PF | J |
| C37 | | | CC73FCH1H100D | CHIP C | 10PF | D |
| C38 | | | CK73FB1H471K | CHIP C | 470PF | K |
| C52 | | | CC73FCH1H470J | CHIP C | 47PF | J |
| C57, 58 | | | CE04LW1H010M | ELECTRO | 1.0UF | 50WV |
| C61, 62 | | | CQ93FMG1H562J | MYLAR | 5600PF | J |
| C61, 62 | | | CQ93FMG1H562J | MYLAR | 5600PF | J |
| C61, 62 | | | CQ93FMG1H562J | MYLAR | 5600PF | J |
| C61, 62 | | | CQ93FMG1H562J | MYLAR | 5600PF | J |
| C61, 62 | | | CQ93FMG1H562J | MYLAR | 5600PF | J |
| C63 | | | CC73FSL1H121J | CHIP C | 120PF | J |
| C64 | | | CK73FB1H473K | CHIP C | 0.047UF | K |
| CN1 | | | E40-8052-05 | SOCKET FOR PIN ASSY | | |
| J1 | | | E20-0476-05 | LOCK TERMINAL BOARD(4P) | I2I3I4 | |
| J1 | | | E20-0476-05 | LOCK TERMINAL BOARD(4P) | K1P1Y1 | |
| J1 | | | E20-0476-05 | LOCK TERMINAL BOARD(4P) | K2P2X2 | |
| J1 | | | E20-0476-05 | LOCK TERMINAL BOARD(4P) | M11X1 | |

L : Scandinavia

K : USA

P : Canada

R : Mexico

C : China

I : Malaysia

Y : PX(Far East, Hawaii)

T : Europe

E : Europe

G : Germany

V : China(Shanghai)

Y : AAFES(Europe)

X : Australia

Q : Russia

H : Korea

M : Other Areas

Δ indicates safety critical components.

* New Parts

Parts without **Parts No.** are not supplied.

Les articles non mentionnés dans le **Parts No.** ne sont pas fournis.

Teile ohne **Parts No.** werden nicht geliefert.

8

| Ref. No | Add-ress | New Parts | Parts No. | Description | Desti-nation | Re-marks |
|---------|----------|-----------|--------------|-----------------------------|--------------|----------|
| J1 | | | E20-0476-05 | LOCK TERMINAL BOARD(4P) | M2M3M4 | |
| J1 | | | E20-0476-05 | LOCK TERMINAL BOARD(4P) | M5 | |
| J1 | | | E70-0051-05 | LOCK TERMINAL BOARD | I1I2I3 | |
| J1 | | | E70-0051-05 | LOCK TERMINAL BOARD | K1P1Y1 | |
| J1 | | | E70-0051-05 | LOCK TERMINAL BOARD | K2P2Y2 | |
| J1 | | | E70-0051-05 | LOCK TERMINAL BOARD | M11X1 | |
| J1 | | | E70-0051-05 | LOCK TERMINAL BOARD | M2M3M4 | |
| J1 | | | E70-0051-05 | LOCK TERMINAL BOARD | M5 | |
| J1 | | | E70-0079-05 | LOCK TERMINAL BOARD | V2V3V4 | |
| J2 | | | F10-0945-04 | SHIELDING PLATE | I2I3I4 | |
| J2 | | | F10-0945-04 | SHIELDING PLATE | K1P1Y1 | |
| J2 | | | F10-0945-04 | SHIELDING PLATE | K2P2X2 | |
| J2 | | | F10-0945-04 | SHIELDING PLATE | M11X1 | |
| J2 | | | F10-0945-04 | SHIELDING PLATE | M11X1 | |
| J2 | | | F10-0945-04 | SHIELDING PLATE | M2M3M4 | |
| J2 | | | F10-0945-04 | SHIELDING PLATE | M5 | |
| J2 | | | F10-1074-04 | SHIELDING PLATE | V2V3V4 | |
| CF1, 2 | | | L72-0611-05 | CERAMIC FILTER | | |
| CF3 | | | L72-0613-05 | CERAMIC FILTER | | |
| L1 | | | L39-1366-05 | COMBINATION COIL | | |
| L2 | | | L30-0911-05 | AM IFT | | |
| L3, 4 | | | L40-1091-17 | SMALL FIXED INDUCTOR(1UH) | I2I3I4 | |
| L3, 4 | | | L40-1091-17 | SMALL FIXED INDUCTOR(1UH) | K1P1Y1 | |
| L3, 4 | | | L40-1091-17 | SMALL FIXED INDUCTOR(1UH) | M11X1 | |
| L3, 4 | | | L40-1091-17 | SMALL FIXED INDUCTOR(1UH) | M2M3M4 | |
| L3, 4 | | | L40-1091-17 | SMALL FIXED INDUCTOR(1UH) | M5 | |
| L3, 4 | | | L40-1091-82 | SMALL FIXED INDUCTOR(1.0UH) | V2V3V4 | |
| X1 | | | L77-2232-05 | CRYSTAL RESONATOR | | |
| X2 | | | L78-0637-05 | RESONATOR (456KHZ) | | |
| R1 | | | RK73FB2A332J | CHIP R | 3.3K | J 1/10W |
| R2 | | | RK73FB2A681J | CHIP R | 680 | J 1/10W |
| R3 | | | RK73FB2A5R6J | CHIP R | 5.6 | J 1/10W |
| R4, 5 | | | RK73FB2A331J | CHIP R | 330 | J 1/10W |
| R6 | | | RK73FB2A101J | CHIP R | 100 | J 1/10W |
| R7 | | | RK73FB2A473J | CHIP R | 47K | J 1/10W |
| R8 | | | RK73FB2A331J | CHIP R | 330 | J 1/10W |
| R12 | | | RK73FB2A472J | CHIP R | 4.7K | J 1/10W |
| R13 | | | RK73FB2A333J | CHIP R | 33K | J 1/10W |
| R15, 16 | | | RK73FB2A224J | CHIP R | 220K | J 1/10W |
| R17 | | | RK73FB2A271J | CHIP R | 270 | J 1/10W |
| R18 | | | RK73FB2A302J | CHIP R | 3.0K | J 1/10W |
| R19 | | | RK73FB2A822J | CHIP R | 8.2K | J 1/10W |
| R21-23 | | | RK73FB2A102J | CHIP R | 1.0K | J 1/10W |
| R24 | | | RK73FB2A562J | CHIP R | 5.6K | J 1/10W |
| Δ R25 | | | RD14NB2E101J | RD | 100 | J 1/4W |
| Δ R26 | | | RD14NB2E561J | RD | 560 | J 1/4W |
| R27 | | | RK73FB2A102J | CHIP R | 1.0K | J 1/10W |
| R28 | | | RK73FB2A103J | CHIP R | 10K | J 1/10W |
| R29, 30 | | | RK73FB2A102J | CHIP R | 1.0K | J 1/10W |
| R31 | | | RK73FB2A103J | CHIP R | 10K | J 1/10W |
| R32 | | | RK73FB2A122J | CHIP R | 1.2K | J 1/10W |
| R33 | | | RK73FB2A123J | CHIP R | 12K | J 1/10W |
| Δ R41 | | | RS14KB3A181J | FL-PROOF RS | 180 | J 1W |
| Δ R42 | | | RD14NB2E820J | RD | 82 | J 1/4W |

L : Scandinavia

K : USA

P : Canada

R : Mexico

C : China

I : Malaysia

Y : PX(Far East, Hawaii)

T : Europe

E : Europe

G : Germany

V : China(Shanghai)

Y : AAFES(Europe)

X : Australia

Q : Russia

H : Korea

M : Other Areas

Δ indicates safety critical components.

PARTS LIST

RXD-951/A700/A900/V616/V818/V919

* New Parts

Parts without **Parts No.** are not supplied.Les articles non mentionnés dans le **Parts No.** ne sont pas fournis.Teile ohne **Parts No.** werden nicht geliefert.

9

| Ref. No | Add-ress | New Parts | Parts No. | Description | Desti-nation | Re-marks |
|---------------------------------|----------|-----------|---------------|------------------------------|--------------|----------|
| R43 | | | RD14NB2E221J | RD | | |
| R44 | | | RK73FB2A101J | CHIP R | | |
| R46 | | | RK73FB2A104J | CHIP R | | |
| R48 | | | RK73FB2A473J | CHIP R | | |
| R50 | | | RK73FB2A471J | CHIP R | I2I3I4 | |
| R50 | | | RK73FB2A471J | CHIP R | M2M3M4 | |
| R50 | | | RK73FB2A471J | CHIP R | M5 | |
| R50 | | | RK73FB2A471J | CHIP R | V2V3V4 | |
| R50 | | | RK73FB2A471J | CHIP R | Y1M111 | |
| R73, 74 | | | RK73FB2A332J | CHIP R | | |
| VR1 | | | R32-0038-05 | SEMI FIXED VARIABLE RESISTOR | | |
| W101~106 | | | R92-0670-05 | CHIP R | 0 OHM | KP1Y1 |
| W108, 109 | | | R92-0670-05 | CHIP R | 0 OHM | KP1Y1 |
| W111~114 | | | R92-0670-05 | CHIP R | 0 OHM | |
| W115, 116 | | | R92-0670-05 | CHIP R | 0 OHM | I2I3I4 |
| W115, 116 | | | R92-0670-05 | CHIP R | 0 OHM | M2M3M4 |
| W115, 116 | | | R92-0670-05 | CHIP R | 0 OHM | Y1M111 |
| W117, 118 | | | R92-0670-05 | CHIP R | 0 OHM | K1P1X1 |
| W121 | | | R92-0670-05 | CHIP R | 0 OHM | K2P2X2 |
| W202~208 | | | R92-0679-05 | CHIP R | 0 OHM | |
| W210, 211 | | | R92-0679-05 | CHIP R | 0 OHM | |
| D1, 2 | | | HSS104 | DIODE | | |
| D1, 2 | | | 1SS133 | DIODE | | |
| D3, 4 | | | HZS5.1N(B2) | ZENER DIODE | | |
| D3, 4 | | | MTZJ5.1(B) | ZENER DIODE | | |
| D8 | | | HSS104 | DIODE | | |
| D8 | | | 1SS133 | DIODE | | |
| DA10 | | | MA111 | DIODE | | |
| IC1 | | | LA1832 | ANALOGUE IC | | |
| IC2 | | | LC72131 | MOS-IC | | |
| Q1 | | | 2SC2714(R,O) | TRANSISTOR | | |
| Q3 | | | 2SA1576A(R,S) | TRANSISTOR | | |
| Q3 | | | 2SB1218A(Q,R) | TRANSISTOR | | |
| Q5 | | | 2SC4081(R,S) | TRANSISTOR | | |
| Q5 | | | 2SD1819A(Q,R) | TRANSISTOR | | |
| Q9, 10 | | | 2SC4081(R,S) | TRANSISTOR | I2I3I4 | |
| Q9, 10 | | | 2SC4081(R,S) | TRANSISTOR | M2M3M4 | |
| Q9, 10 | | | 2SC4081(R,S) | TRANSISTOR | M5 | |
| Q9, 10 | | | 2SC4081(R,S) | TRANSISTOR | Y1M111 | |
| Q9, 10 | | | 2SD1819A(Q,R) | TRANSISTOR | I2I3I4 | |
| Q9, 10 | | | 2SD1819A(Q,R) | TRANSISTOR | M2M3M4 | |
| Q9, 10 | | | 2SD1819A(Q,R) | TRANSISTOR | M5 | |
| Q9, 10 | | | 2SD1819A(Q,R) | TRANSISTOR | Y1M111 | |
| A1 | | | W02-2638-05 | FM FRONT-END ASSY | | |
| TUNER UNIT (X05-490X-XX) | | | | | | |
| C1 | | | CE04LW1C470M | ELECTRO | 47UF | 16WV |
| C2 | | | CE04LW1H010M | ELECTRO | 1.0UF | 50WV |
| C3~8 | | | CK73FB1H103K | CHIP C | 0.010UF | K |
| C9 | | | C91-0769-05 | CERAMIC | 0.010UF | K |
| C30 | | | CK73EB1E473K | CHIP C | 0.047UF | K |
| C31 | | | CE04LW1C470M | ELECTRO | 47UF | 16WV |
| C32 | | | CK73FB1H103K | CHIP C | 0.010UF | K |

L : Scandinavia

K : USA

P : Canada

R : Mexico

C : China

I : Malaysia

Y : PX(Far East, Hawaii)

T : Europe

E : Europe

G : Germany

V : China(Shanghai)

Y : AAFES(Europe)

X : Australia

Q : Russia

H : Korea

M : Other Areas

Δ indicates safety critical components.

* New Parts

Parts without **Parts No.** are not supplied.Les articles non mentionnés dans le **Parts No.** ne sont pas fournis.Teile ohne **Parts No.** werden nicht geliefert.

10

| Ref. No | Add-ress | New Parts | Parts No. | Description | Desti-nation | Re-marks |
|---------|----------|-----------|---------------|---------------------|--------------|----------|
| C33 | | | CE04LW1C100M | ELECTRO | 10UF | 16WV |
| C34 | | | CK73EB1E104K | CHIP C | 0.10UF | K |
| C35 | | | CE04LW1C100M | ELECTRO | 10UF | 16WV |
| C36 | | | CK73FB1E473K | CHIP C | 0.047UF | K |
| C37 | | | CK73EF1E105Z | CHIP C | 1.0UF | Z |
| C38 | | | C90-3217-05 | ELECTRO | 10UF | 10WV |
| C39 | | | CC73FSL1H101J | CHIP C | 100PF | J |
| C40 | | | C90-3253-05 | ELECTRO | 1.0UF | 50WV |
| C41 | | | C90-3251-05 | ELECTRO | 0.47UF | 50WV |
| C42 | | | C90-3240-05 | ELECTRO | 2.2UF | 35WV |
| C43 | | | CE04LW1HR47M | ELECTRO | 0.47UF | 50WV |
| C44 | | | CK73FB1E473K | CHIP C | 0.047UF | K |
| C45 | | | CC73FCH1H220J | CHIP C | 22PF | J |
| C46 | | | CE04LW1A101M | ELECTRO | 100UF | 10WV |
| C47 | | | CK73FB1H682K | CHIP C | 6800PF | K |
| C48 | | | CC73FSL1H681J | CHIP C | 680PF | J |
| C48 | | | CC73FSL1H821J | CHIP C | 820PF | J |
| C49 | | | C90-3253-05 | ELECTRO | 1.0UF | 50WV |
| C50 | | | CK73FB1H102K | CHIP C | 1000PF | K |
| C51, 52 | | | C90-3217-05 | ELECTRO | 10UF | 10WV |
| C53, 54 | | | CK73FB1H153K | CHIP C | 0.015UF | K |
| C53, 54 | | | CK73FB1H183K | CHIP C | 0.018UF | K |
| C55, 56 | | | C90-3231-05 | ELECTRO | 3.3UF | 25WV |
| C55, 56 | | | C90-3240-05 | ELECTRO | 2.2UF | 35WV |
| C59 | | | CC73ESL1H101J | CHIP C | 100PF | J |
| C60 | | | CK73FB1E104K | CHIP C | 0.10UF | K |
| C61 | | | CK73FB1H103K | CHIP C | 0.010UF | K |
| C62 | | | CK73FB1H333K | CHIP C | 0.033UF | K |
| C63 | | | CC73FCH1H090D | CHIP C | 9.0PF | D |
| C64 | | | CK73FB1H333K | CHIP C | 0.033UF | K |
| C66 | | | CC73FCH1H060D | CHIP C | 6.0PF | D |
| C67 | | | CC73FCH1H220J | CHIP C | 22PF | J |
| C68 | | | CC73FSL1H020C | CHIP C | 2.0PF | C |
| C69 | | | CK73FB1H103K | CHIP C | 0.010UF | K |
| C70 | | | CC73FSL1H101J | CHIP C | 100PF | J |
| C77, 78 | | | CK73FB1H332K | CHIP C | 3300PF | K |
| C79, 80 | | | CC73FSL1H101J | CHIP C | 100PF | J |
| C80 | | | CC73FSL1H101J | CHIP C | 100PF | J |
| C81 | | | CC73FCH1H220J | CHIP C | 22PF | J |
| C82 | | | CC73FCH1H270J | CHIP C | 27PF | J |
| C83, 84 | | | CK73FB1H102K | CHIP C | 1000PF | K |
| C85 | | | C91-0745-05 | CERAMIC | 100PF | K |
| C86 | | | C91-0757-05 | CERAMIC | 1000PF | K |
| C87 | | | CE04LW1A470M | ELECTRO | 47UF | 10WV |
| C88 | | | CC73FSL1H331J | CHIP C | 330PF | J |
| C89 | | | CE04LW1C470M | ELECTRO | 47UF | 16WV |
| C90 | | | CE04LW1H2R2M | ELECTRO | 2.2UF | 50WV |
| C91 | | | CQ93FMG1H223J | MYLAR | 0.022UF | J |
| C92 | | | CC73FSL1H471J | CHIP C | 470PF | J |
| C93 | | | CK73FB1H103K | CHIP C | 0.010UF | K |
| C94 | | | CK73FB1H102K | CHIP C | 1000PF | K |
| C95 | | | CC73FCH1H470J | CHIP C | 47PF | J |
| C96 | | | CC73FSL1H101J | CHIP C | 100PF | J |
| CN1 | | | E40-8052-05 | SOCKET FOR PIN ASSY | | |

L : Scandinavia

K : USA

P : Canada

R : Mexico

C : China

I : Malaysia

Y : PX(Far East, Hawaii)

T : Europe

E : Europe

G : Germany

V : China(Shanghai)

Y : AAFES(Europe)

X : Australia

Q : Russia

H : Korea

M : Other Areas

Δ indicates safety critical components.

* New Parts

Parts without **Parts No.** are not supplied.
Les articles non mentionnés dans le **Parts No.** ne sont pas fournis.
Teile ohne **Parts No.** werden nicht geliefert.

①

| Ref. No | Add-ress | New Parts | Parts No. | Description | Desti-nation | Re-marks |
|---------|----------|-----------|--------------|------------------------------|--------------|----------|
| CN2 | | | E40-4871-05 | PIN ASSY | | |
| J1 | | | E20-0321-05 | LOCK TERMINAL BOARD(2P,F) | | |
| J1 | | | E70-0052-05 | LOCK TERMINAL BOARD | | |
| J2 | | | F10-1053-04 | SHIELDING PLATE | E1E2E3 | |
| J2 | | | F10-1088-04 | SHIELDING PLATE | Q1Q2 | |
| CF1, 2 | | | L72-0612-05 | CERAMIC FILTER | | |
| L31 | | | L30-0929-05 | FM IFT | | |
| L32 | | | L30-0930-05 | FM IFT | | |
| L33 | | | L30-0911-05 | AM IFT | | |
| L34 | | | L79-1237-05 | LC FILTER | | |
| L61 | | | L40-1091-17 | SMALL FIXED INDUCTOR(1UH) | | |
| L62 | | | L39-1367-05 | COMBINATION COIL | E1E2E3 | |
| L62 | | | L39-1368-05 | COMBINATION COIL | Q1Q2 | |
| L63 | | | L40-1001-17 | SMALL FIXED INDUCTOR(10UH,K) | E1E2E3 | |
| L81 | | | L40-1091-17 | SMALL FIXED INDUCTOR(1UH) | | |
| X31 | | | L78-0637-05 | RESONATOR (456KHZ) | | |
| X81 | | | L77-2185-05 | CRYSTAL RESONATOR | | |
| Δ R1 | | | RD14NB2E101J | RD 100 J 1/4W | | |
| R2 | | | RK73EB2B221J | CHIP R 220 J 1/8W | Q1 | |
| R3 | | | RK73FB2A331J | CHIP R 330 J 1/10W | E1E2E3 | |
| R3 | | | RK73FB2A332J | CHIP R 3.3K J 1/10W | | |
| R4 | | | RK73FB2A681J | CHIP R 680 J 1/10W | | |
| R5 | | | RK73FB2A331J | CHIP R 330 J 1/10W | | |
| R6 | | | RK73FB2A220J | CHIP R 22 J 1/10W | | |
| R7 | | | RK73FB2A332J | CHIP R 3.3K J 1/10W | | |
| R8 | | | RK73FB2A331J | CHIP R 330 J 1/10W | | |
| R10 | | | RK73FB2A332J | CHIP R 3.3K J 1/10W | | |
| R11 | | | RK73FB2A681J | CHIP R 680 J 1/10W | | |
| R12 | | | RK73FB2A122J | CHIP R 1.2K J 1/10W | | |
| R13, 14 | | | RK73FB2A331J | CHIP R 330 J 1/10W | | |
| R15 | | | RK73FB2A101J | CHIP R 100 J 1/10W | | |
| R16 | | | RK73FB2A220J | CHIP R 22 J 1/10W | E1E2E3 | |
| R16 | | | RK73FB2A470J | CHIP R 47 J 1/10W | Q1Q2 | |
| R17 | | | RK73FB2A621J | CHIP R 620 J 1/10W | | |
| R18 | | | RK73FB2A123J | CHIP R 12K J 1/10W | | |
| R19 | | | RK73FB2A4R7J | CHIP R 4.7 J 1/10W | | |
| R20 | | | RK73FB2A122J | CHIP R 1.2K J 1/10W | | |
| Δ R31 | | | RS14KB3A820J | FL-PROOF RS 82 J 1W | | |
| R32 | | | RK73EB2B562J | CHIP R 5.6K J 1/8W | | |
| R33 | | | RK73FB2A302J | CHIP R 3.0K J 1/10W | | |
| R34 | | | RK73FB2A822J | CHIP R 8.2K J 1/10W | | |
| R35 | | | RK73FB2A333J | CHIP R 33K J 1/10W | | |
| R36 | | | RK73FB2A393J | CHIP R 39K J 1/10W | | |
| R38 | | | RK73FB2A333J | CHIP R 33K J 1/10W | | |
| R39 | | | RK73FB2A223J | CHIP R 22K J 1/10W | | |
| R40 | | | RK73FB2A332J | CHIP R 3.3K J 1/10W | | |
| R41 | | | RK73FB2A222J | CHIP R 2.2K J 1/10W | | |
| R42 | | | RK73FB2A473J | CHIP R 47K J 1/10W | | |
| R43, 44 | | | RK73FB2A123J | CHIP R 12K J 1/10W | Q1Q2 | |
| R43, 44 | | | RK73FB2A223J | CHIP R 22K J 1/10W | E1E2E3 | |
| R47, 48 | | | RK73FB2A392J | CHIP R 3.9K J 1/10W | | |
| R49 | | | RK73FB2A473J | CHIP R 47K J 1/10W | | |
| R51 | | | RK73FB2A102J | CHIP R 1.0K J 1/10W | | |

L : Scandinavia K : USA P : Canada R : Mexico C : China I : Malaysia
Y : PX(Far East, Hawaii) T : Europe E : Europe G : Germany V : China(Shanghai)
Y : AAFES(Europe) X : Australia Q : Russia H : Korea M : Other Areas Δ indicates safety critical components.

* New Parts

Parts without **Parts No.** are not supplied.
Les articles non mentionnés dans le **Parts No.** ne sont pas fournis.
Teile ohne **Parts No.** werden nicht geliefert.

②

| Ref. No | Add-ress | New Parts | Parts No. | Description | Desti-nation | Re-marks |
|-----------|----------|-----------|--------------|------------------------------|--------------|----------|
| R52 | | | RK73FB2A104J | CHIP R 100K J 1/10W | | |
| R53 | | | RK73FB2A102J | CHIP R 1.0K J 1/10W | | |
| R54 | | | RK73FB2A683J | CHIP R 68K J 1/10W | | |
| R55 | | | RK73FB2A473J | CHIP R 47K J 1/10W | | |
| R56 | | | RK73FB2A104J | CHIP R 100K J 1/10W | | |
| R57 | | | RK73FB2A101J | CHIP R 100 J 1/10W | Q1Q2 | |
| R59 | | | RK73FB2A222J | CHIP R 2.2K J 1/10W | | |
| R61 | | | RK73FB2A223J | CHIP R 22K J 1/10W | Q1Q2 | |
| R62 | | | RK73FB2A105J | CHIP R 1.0M J 1/10W | Q1Q2 | |
| R63 | | | RK73FB2A473J | CHIP R 47K J 1/10W | Q1Q2 | |
| R64 | | | RK73FB2A103J | CHIP R 10K J 1/10W | Q1Q2 | |
| R65 | | | RK73FB2A153J | CHIP R 15K J 1/10W | Q1Q2 | |
| R66 | | | RK73FB2A152J | CHIP R 1.5K J 1/10W | Q1Q2 | |
| R67 | | | RK73FB2A104J | CHIP R 100K J 1/10W | | |
| R68 | | | RK73FB2A222J | CHIP R 2.2K J 1/10W | Q1Q2 | |
| R70 | | | RK73FB2A105J | CHIP R 1.0M J 1/10W | Q1Q2 | |
| R80 | | | RK73EB2B102J | CHIP R 1.0K J 1/8W | | |
| R81-83 | | | RK73FB2A102J | CHIP R 1.0K J 1/10W | | |
| R84 | | | RK73FB2A103J | CHIP R 10K J 1/10W | | |
| R85-88 | | | RK73FB2A102J | CHIP R 1.0K J 1/10W | | |
| Δ R89 | | | RD14NB2E101J | RD 100 J 1/4W | | |
| R90 | | | RK73FB2A562J | CHIP R 5.6K J 1/10W | | |
| R91 | | | RK73FB2A222J | CHIP R 2.2K J 1/10W | | |
| R92 | | | RK73FB2A123J | CHIP R 12K J 1/10W | | |
| R93 | | | RK73FB2A122J | CHIP R 1.2K J 1/10W | | |
| Δ R94 | | | RD14NB2E561J | RD 560 J 1/4W | | |
| R101, 102 | | | RK73FB2A102J | CHIP R 1.0K J 1/10W | | |
| R103 | | | RK73FB2A821J | CHIP R 820 J 1/10W | | |
| R104 | | | RK73FB2A473J | CHIP R 47K J 1/10W | | |
| R105 | | | RK73FB2A103J | CHIP R 10K J 1/10W | | |
| VR1 | | | R32-0036-05 | SEMI FIXED VARIABLE RESISTOR | | |
| W51-55 | | | R92-0670-05 | CHIP R 0 OHM | E1E2E3 | |
| W53 | | | R92-0670-05 | CHIP R 0 OHM | Q1Q2 | |
| W56-58 | | | R92-0679-05 | CHIP R 0 OHM | | |
| W59-61 | | | R92-0670-05 | CHIP R 0 OHM | E1E2E3 | |
| W59, 60 | | | R92-0670-05 | CHIP R 0 OHM | Q1Q2 | |
| W62-67 | | | R92-0679-05 | CHIP R 0 OHM | | |
| W68 | | | R92-0670-05 | CHIP R 0 OHM | Q1Q2 | |
| W69-71 | | | R92-0679-05 | CHIP R 0 OHM | E1E2E3 | |
| W69-72 | | | R92-0679-05 | CHIP R 0 OHM | Q1Q2 | |
| W73 | | | R92-0670-05 | CHIP R 0 OHM | | |
| W74 | | | R92-0679-05 | CHIP R 0 OHM | Q1Q2 | |
| W75 | | | R92-0670-05 | CHIP R 0 OHM | E1E2E3 | |
| W75-80 | | | R92-0670-05 | CHIP R 0 OHM | Q1Q2 | |
| W77, 78 | | | R92-0670-05 | CHIP R 0 OHM | E1E2E3 | |
| W80 | | | R92-0670-05 | CHIP R 0 OHM | E1E2E3 | |
| W81 | | | R92-0679-05 | CHIP R 0 OHM | | |
| W82 | | | R92-0670-05 | CHIP R 0 OHM | | |
| W83, 84 | | | R92-0679-05 | CHIP R 0 OHM | | |
| W85 | | | R92-0670-05 | CHIP R 0 OHM | | |
| D1 | | | HSS104 | DIODE | | |
| D1 | | | 1SS133 | DIODE | | |
| D31 | | | HZS8.2N(B2) | ZENER DIODE | | |
| D31 | | | MTZJ8.2(B) | ZENER DIODE | | |
| D32 | | | MA111 | DIODE | | |

L : Scandinavia K : USA P : Canada R : Mexico C : China I : Malaysia
Y : PX(Far East, Hawaii) T : Europe E : Europe G : Germany V : China(Shanghai)
Y : AAFES(Europe) X : Australia Q : Russia H : Korea M : Other Areas Δ indicates safety critical components.

PARTS LIST

RXD-951/A700/A900/V616/V818/V919

* New Parts

Parts without **Parts No.** are not supplied.
Les articles non mentionnés dans le **Parts No.** ne sont pas fournis.
Teile ohne **Parts No.** werden nicht geliefert.

13

| Ref. No | Add-ress | New Parts | Parts No. | Description | Desti-nation | Re-marks |
|--|----------|-----------|---------------|-------------------|--------------|----------|
| D33 | | | HSS104 | DIODE | | |
| D33 | | | 1SS133 | DIODE | | |
| D61, 62 | | | HSS104 | DIODE | | |
| D61, 62 | | | 1SS133 | DIODE | | |
| D81 | | | HZS5.1N(B2) | ZENER DIODE | | |
| D81 | | | MTZJ5.1(B) | ZENER DIODE | | |
| D101 | | | HZS3.3N(B2) | ZENER DIODE | | |
| D101 | | | MTZJ3.3(B) | ZENER DIODE | | |
| IC1 | | | LA1836 | ANALOGUE IC | | |
| IC2 | | | LC72131 | MOS-IC | | |
| IC3 | | | NJM2904M | IC(OP AMP X2) | | |
| Q1, 2 | | | 2SC2714(R,O) | TRANSISTOR | | |
| Q3 | | | 2SA1576A(R,S) | TRANSISTOR | | |
| Q3 | | | 2SB1218A(Q,R) | TRANSISTOR | | |
| Q31, 32 | | | 2SC4081(R,S) | TRANSISTOR | | |
| Q31, 32 | | | 2SD1819A(Q,R) | TRANSISTOR | | |
| Q61, 62 | | | 2SC4081(R,S) | TRANSISTOR | Q1Q2 | |
| Q61, 62 | | | 2SD1819A(Q,R) | TRANSISTOR | Q1Q2 | |
| Q63 | | | 2SC2878(B) | TRANSISTOR | Q1Q2 | |
| Q64 | | | 2SA1576A(R,S) | TRANSISTOR | Q1Q2 | |
| Q64 | | | 2SB1218A(Q,R) | TRANSISTOR | Q1Q2 | |
| Q65 | | | 2SK302(Y,GR) | FET | Q1Q2 | |
| Q81 | | | 2SA1576A(R,S) | TRANSISTOR | | |
| Q81 | | | 2SB1218A(Q,R) | TRANSISTOR | | |
| Q101, 102 | | | 2SD2114K | TRANSISTOR | | |
| Q103 | | | 2SA1576A(R,S) | TRANSISTOR | | |
| Q103 | | | 2SB1218A(Q,R) | TRANSISTOR | | |
| A1 | | | W02-2640-05 | FM FRONT-END ASSY | E1E2E3 | |
| A1 | | | W02-2641-05 | FM FRONT-END ASSY | Q1Q2 | |
| SURROUND UNIT (X08-287/292X-XX) | | | | | | |
| C1, 2 | | | CE04LW1HR47M | ELECTRO | 0.47UF | 50WV |
| C1, 2 | | | CE04LW1HR47M | ELECTRO | 0.47UF | 50WV |
| C1, 2 | | | CE04LW1H100M | ELECTRO | 10UF | 50WV |
| C1, 2 | | | CE04LW1H100M | ELECTRO | 10UF | 50WV |
| C1, 2 | | | CE04LW1H100M | ELECTRO | 10UF | 50WV |
| C1, 2 | | | CE04LW1H100M | ELECTRO | 10UF | 50WV |
| C1, 2 | | | CE04LW1H100M | ELECTRO | 10UF | 50WV |
| C1, 2 | | | CE04LW1H100M | ELECTRO | 10UF | 50WV |
| C1, 2 | | | CE04LW1H100M | ELECTRO | 10UF | 50WV |
| C1, 2 | | | CE04LW1H100M | ELECTRO | 10UF | 50WV |
| C1, 2 | | | CE04LW1H100M | ELECTRO | 10UF | 50WV |
| C3, 4 | | | CC73FSL1H471J | CHIP C | 47PF | J |
| C5, 6 | | | CE04LW1H010M | ELECTRO | 1.0UF | 50WV |
| C7, 8 | | | CK45FB1H471K | CERAMIC | 470PF | K |
| C9 | | | CE04LW1C331M | ELECTRO | 330UF | 16WV |
| C11 | | | CE04LW1H010M | ELECTRO | 1.0UF | 50WV |
| C11 | | | CE04LW1H010M | ELECTRO | 1.0UF | 50WV |
| C11 | | | CE04LW1H010M | ELECTRO | 1.0UF | 50WV |
| C11 | | | CE04LW1H010M | ELECTRO | 1.0UF | 50WV |
| C11 | | | CE04LW1H010M | ELECTRO | 1.0UF | 50WV |
| C13 | | | CE04LW1H010M | ELECTRO | 1.0UF | 50WV |
| C13 | | | CC73FSL1H470J | CHIP C | 47PF | J |
| C13 | | | CC73FSL1H470J | CHIP C | 47PF | J |
| C13 | | | CC73FSL1H470J | CHIP C | 47PF | J |
| C13 | | | CC73FSL1H470J | CHIP C | 47PF | J |
| C13 | | | CC73FSL1H470J | CHIP C | 47PF | J |
| C13 | | | CC73FSL1H470J | CHIP C | 47PF | J |
| C13 | | | CC73FSL1H470J | CHIP C | 47PF | J |
| C13 | | | CC73FSL1H470J | CHIP C | 47PF | J |
| C13 | | | CC73FSL1H470J | CHIP C | 47PF | J |
| C13 | | | CC73FSL1H470J | CHIP C | 47PF | J |
| C13 | | | CC73FSL1H470J | CHIP C | 47PF | J |
| C15, 16 | | | CE04LW1A101M | ELECTRO | 100UF | 10WV |
| C17, 18 | | | CC73FSL1H100D | CHIP C | 10PF | D |
| C19, 20 | | | CK73FB1H222K | CHIP C | 2200PF | K |

L : Scandinavia K : USA P : Canada R : Mexico C : China I : Malaysia
Y : PX(Far East, Hawaii) T : Europe E : Europe G : Germany V : China(Shanghai)
Y : AAFES(Europe) X : Australia Q : Russia H : Korea M : Other Areas ▲ indicates safety critical components.

* New Parts

Parts without **Parts No.** are not supplied.
Les articles non mentionnés dans le **Parts No.** ne sont pas fournis.
Teile ohne **Parts No.** werden nicht geliefert.

14

| Ref. No | Add-ress | New Parts | Parts No. | Description | Desti-nation | Re-marks |
|---------|----------|-----------|---------------|-------------|--------------|----------|
| C21, 22 | | | CQ93FMG1H104J | MYLAR | 0.10UF | J |
| C21, 22 | | | CQ93FMG1H104J | MYLAR | 0.10UF | J |
| C21, 22 | | | CQ93FMG1H104J | MYLAR | 0.10UF | J |
| C21, 22 | | | CQ93FMG1H104J | MYLAR | 0.10UF | J |
| C21, 22 | | | CQ93FMG1H104J | MYLAR | 0.10UF | J |
| C21, 22 | | | CQ93FMG1H104J | MYLAR | 0.10UF | J |
| C21, 22 | | | CQ93FMG1H224J | MYLAR | 0.22UF | J |
| C21, 22 | | | CQ93FMG1H224J | MYLAR | 0.22UF | J |
| C21, 22 | | | CQ93FMG1H224J | MYLAR | 0.22UF | J |
| C23, 24 | | | CQ93FMG1H224J | MYLAR | 0.22UF | J |
| C23, 24 | | | CQ93FMG1H224J | MYLAR | 0.22UF | J |
| C25, 26 | | | CE04LW1A101M | ELECTRO | 100UF | 10WV |
| C27, 28 | | | CC73FSL1H100D | CHIP C | 10PF | D |
| C29 | | | CK73FB1H103K | CHIP C | 0.010UF | K |
| C30 | | | CK73FB1H222K | CHIP C | 2200PF | K |
| C31, 32 | | | CQ93FMG1H224J | MYLAR | 0.22UF | J |
| C31, 32 | | | CQ93FMG1H224J | MYLAR | 0.22UF | J |
| C33, 34 | | | CQ93FMG1H104J | MYLAR | 0.10UF | J |
| C33, 34 | | | CQ93FMG1H104J | MYLAR | 0.10UF | J |
| C33, 34 | | | CQ93FMG1H104J | MYLAR | 0.10UF | J |
| C33, 34 | | | CQ93FMG1H104J | MYLAR | 0.10UF | J |
| C33, 34 | | | CQ93FMG1H104J | MYLAR | 0.10UF | J |
| C33, 34 | | | CQ93FMG1H224J | MYLAR | 0.22UF | J |
| C33, 34 | | | CQ93FMG1H224J | MYLAR | 0.22UF | J |
| C35, 36 | | | CK45FB1H332K | CERAMIC | 3300PF | K |
| C37-39 | | | CK45FF1H472Z | CERAMIC | 4700PF | Z |
| C41 | | | CE04LW1A101M | ELECTRO | 100UF | 10W |
| C41 | | | CE04LW1A101M | ELECTRO | 100UF | 10W |
| C41 | | | CE04LW1A101M | ELECTRO | 100UF | 10W |
| C41 | | | CE04LW1A101M | ELECTRO | 100UF | 10W |
| C41 | | | CE04LW1A101M | ELECTRO | 100UF | 10W |
| C43 | | | CC73FSL1H100D | CHIP C | 10PF | D |
| C43 | | | CC73FSL1H100D | CHIP C | 10PF | D |
| C43 | | | CC73FSL1H100D | CHIP C | 10PF | D |
| C43 | | | CC73FSL1H100D | CHIP C | 10PF | D |
| C43 | | | CC73FSL1H100D | CHIP C | 10PF | D |
| C45 | | | CK73FB1H103K | CHIP C | 0.010UF | K |
| C45 | | | CK73FB1H103K | CHIP C | 0.010UF | K |
| C45 | | | CK73FB1H103K | CHIP C | 0.010UF | K |
| C45 | | | CK73FB1H103K | CHIP C | 0.010UF | K |
| C45 | | | CK73FB1H103K | CHIP C | 0.010UF | K |
| C47 | | | CQ93FMG1H104J | MYLAR | 0.10UF | J |
| C47 | | | CQ93FMG1H104J | MYLAR | 0.10UF | J |
| C47 | | | CQ93FMG1H104J | MYLAR | 0.10UF | J |
| C47 | | | CQ93FMG1H104J | MYLAR | 0.10UF | J |
| C47 | | | CQ93FMG1H224J | MYLAR | 0.22UF | J |
| C49 | | | CQ93FMG1H224J | MYLAR | 0.22UF | J |
| C51 | | | CK45FB1H332K | CERAMIC | 3300PF | K |
| C51 | | | CK45FB1H332K | CERAMIC | 3300PF | K |
| C51 | | | CK45FB1H332K | CERAMIC | 3300PF | K |
| C51 | | | CK45FB1H332K | CERAMIC | 3300PF | K |
| C51 | | | CK45FB1H332K | CERAMIC | 3300PF | K |
| C51 | | | CK45FB1H332K | CERAMIC | 3300PF | K |
| C51 | | | CK45FB1H332K | CERAMIC | 3300PF | K |
| C51 | | | CK45FB1H332K | CERAMIC | 3300PF | K |
| C51 | | | CK45FB1H332K | CERAMIC | 3300PF | K |
| C51 | | | CK45FB1H332K | CERAMIC | 3300PF | K |
| C51 | | | CK45FB1H332K | CERAMIC | 3300PF | K |
| C51 | | | CK45FB1H332K | CERAMIC | 3300PF | K |
| C51 | | | CK45FB1H332K | CERAMIC | 3300PF | K |
| C51 | | | CK45FB1H332K | CERAMIC | 3300PF | K |

L : Scandinavia K : USA P : Canada R : Mexico C : China I : Malaysia
Y : PX(Far East, Hawaii) T : Europe E : Europe G : Germany V : China(Shanghai)
Y : AAFES(Europe) X : Australia Q : Russia H : Korea M : Other Areas ▲ indicates safety critical components.

* New Parts
 Parts without **Parts No.** are not supplied.
 Les articles non mentionnés dans le **Parts No.** ne sont pas fournis.
 Teile ohne **Parts No.** werden nicht geliefert.

15

| Ref. No | Add-ress | New Parts | Parts No. | Description | Desti-nation | Re-marks |
|---------|----------|-----------|---------------|-----------------------|--------------|----------|
| C53 | | | CK45FB1H332K | CERAMIC 3300PF | K | M5 |
| C55, 56 | | * | C90-3440-05 | ALMINIUM ELECTROLYTIC | C. | |
| C57, 58 | | | CK45FE2H472P | CERAMIC 4700PF | P | |
| C59, 60 | | | C90-3396-05 | ELECTRO 47UF | 35WV | E1E2Q1 |
| C59, 60 | | | C90-3396-05 | ELECTRO 47UF | 35WV | K1P1Y1 |
| C59, 60 | | | C90-3396-05 | ELECTRO 47UF | 35WV | M111X1 |
| C59, 60 | | | C90-3396-05 | ELECTRO 47UF | 35WV | M2I2V2 |
| C59, 60 | | | C90-3396-05 | ELECTRO 47UF | 35WV | M5 |
| C61 | | * | C90-3440-05 | ALMINIUM ELECTROLYTIC | C. | E1E2Q1 |
| C61 | | * | C90-3440-05 | ALMINIUM ELECTROLYTIC | C. | K1P1Y1 |
| C61 | | * | C90-3440-05 | ALMINIUM ELECTROLYTIC | C. | M111X1 |
| C61 | | * | C90-3440-05 | ALMINIUM ELECTROLYTIC | C. | M2I2V2 |
| C61 | | * | C90-3440-05 | ALMINIUM ELECTROLYTIC | C. | M5 |
| C62 | | | CE04LW2A100M | ELECTRO 10UF | 100WV | V2 |
| C62 | | | C90-3707-05 | ALMINIUM ELECTROLYTIC | C. | E1E2Q1 |
| C62 | | | C90-3707-05 | ALMINIUM ELECTROLYTIC | C. | K1P1Y1 |
| C62 | | | C90-3707-05 | ALMINIUM ELECTROLYTIC | C. | K2P2X2 |
| C62 | | | C90-3707-05 | ALMINIUM ELECTROLYTIC | C. | M111X1 |
| C62 | | | C90-3707-05 | ALMINIUM ELECTROLYTIC | C. | M5 |
| C63, 64 | | | CK45FE2H472P | CERAMIC 4700PF | P | E1E2Q1 |
| C63, 64 | | | CK45FE2H472P | CERAMIC 4700PF | P | K1P1Y1 |
| C63, 64 | | | CK45FE2H472P | CERAMIC 4700PF | P | M111X1 |
| C63, 64 | | | CK45FE2H472P | CERAMIC 4700PF | P | M2I2V2 |
| C63, 64 | | | CK45FE2H472P | CERAMIC 4700PF | P | M5 |
| C63, 64 | | * | C90-3416-05 | | | E3Q2 |
| C63, 64 | | * | C90-3416-05 | | | K2P2X2 |
| C65, 66 | | | C90-3396-05 | ELECTRO 47UF | 35WV | E1E2Q1 |
| C65, 66 | | | C90-3396-05 | ELECTRO 47UF | 35WV | K1P1Y1 |
| C65, 66 | | | C90-3396-05 | ELECTRO 47UF | 35WV | M111X1 |
| C65, 66 | | | C90-3396-05 | ELECTRO 47UF | 35WV | M2I2V2 |
| C65, 66 | | | C90-3396-05 | ELECTRO 47UF | 35WV | M5 |
| C67, 68 | | | CE04LW1C100M | ELECTRO 10UF | 16WV | V2 |
| C69 | | | CE04LW1C470M | ELECTRO 47UF | 16WV | E1E2Q1 |
| C69 | | | C90-3649-05 | ELECTRO 47UF | 16WV | E3Q2 |
| C69 | | | C90-3649-05 | ELECTRO 47UF | 16WV | K1P1Y1 |
| C69 | | | C90-3649-05 | ELECTRO 47UF | 16WV | K2P2X2 |
| C69 | | | C90-3649-05 | ELECTRO 47UF | 16WV | M111X1 |
| C69 | | | C90-3649-05 | ELECTRO 47UF | 16WV | M2I2M5 |
| C70 | | | CE04LW1C101M | ELECTRO 100UF | 16WV | V2 |
| C70 | | | C90-3650-05 | ELECTRO 100UF | 16WV | E1E2Q1 |
| C70 | | | C90-3650-05 | ELECTRO 100UF | 16WV | E3Q2 |
| C70 | | | C90-3650-05 | ELECTRO 100UF | 16WV | K1P1Y1 |
| C70 | | | C90-3650-05 | ELECTRO 100UF | 16WV | K2P2X2 |
| C70 | | | C90-3650-05 | ELECTRO 100UF | 16WV | M111X1 |
| C70 | | | C90-3650-05 | ELECTRO 100UF | 16WV | M2I2M5 |
| C71 | | | CE04LW1C100M | ELECTRO 10UF | 16WV | V2 |
| C71 | | | C90-3658-05 | ELECTRO 10UF | 16WV | E1E2Q1 |
| C71 | | | C90-3658-05 | ELECTRO 10UF | 16WV | E3Q2 |
| C71 | | | C90-3658-05 | ELECTRO 10UF | 16WV | K1P1Y1 |
| C71 | | | C90-3658-05 | ELECTRO 10UF | 16WV | K2P2X2 |
| C71 | | | C90-3658-05 | ELECTRO 10UF | 16WV | M111X1 |
| C71 | | | C90-3658-05 | ELECTRO 10UF | 16WV | M2I2M5 |
| C72 | | | CK73FB1H103K | CHIP C 0.010UF | K | |
| C75, 76 | | | CC73FSL1H101J | CHIP C 100PF | J | |

L : Scandinavia K : USA P : Canada R : Mexico C : China I : Malaysia
 Y : PX(Far East, Hawaii) T : Europe E : Europe V : China(Shanghai)
 Y : AAFES(Europe) X : Australia Q : Russia H : Korea M : Other Areas Δ indicates safety critical components.

* New Parts
 Parts without **Parts No.** are not supplied.
 Les articles non mentionnés dans le **Parts No.** ne sont pas fournis.
 Teile ohne **Parts No.** werden nicht geliefert.

16

| Ref. No | Add-ress | New Parts | Parts No. | Description | Desti-nation | Re-marks |
|-----------|----------|-----------|----------------|-------------------------|--------------|----------|
| C77 | | * | C90-3440-05 | ALMINIUM ELECTROLYTIC | C. | |
| C78 | | | CE04LW2A100M | ELECTRO 10UF | 100WV | V2 |
| C78 | | | C90-3707-05 | ALMINIUM ELECTROLYTIC | C. | E1E2Q1 |
| C78 | | | C90-3707-05 | ALMINIUM ELECTROLYTIC | C. | E3Q2 |
| C78 | | | C90-3707-05 | ALMINIUM ELECTROLYTIC | C. | K1P1Y1 |
| C78 | | | C90-3707-05 | ALMINIUM ELECTROLYTIC | C. | K2P2X2 |
| C78 | | | C90-3707-05 | ALMINIUM ELECTROLYTIC | C. | M111X1 |
| C78 | | | C90-3707-05 | ALMINIUM ELECTROLYTIC | C. | M2I2M5 |
| C79, 80 | | | C90-3707-05 | ALMINIUM ELECTROLYTIC | C. | K2P2X2 |
| C79, 80 | | | C90-3707-05 | ALMINIUM ELECTROLYTIC | C. | Q2E3 |
| C81 | | | CQ93FMG1H103J | MYLAR 0.010UF | J | |
| C82 | | | CQ93FMG1H102J | MYLAR 1000PF | J | |
| C101-107 | | | CE04LW1C100M | ELECTRO 10UF | 16WV | |
| C111 | | | CE04LW1C470M | ELECTRO 47UF | 16WV | |
| C113 | | | CQ93FMG1H104J | MYLAR 0.10UF | J | |
| C114 | | | CC73FSL1H101J | CHIP C 100PF | J | |
| C115 | | | CE04LW1C220M | ELECTRO 22UF | 16WV | |
| C116 | | | CE04LW1H010M | ELECTRO 1.0UF | 50WV | |
| C117 | | | CK73FB1H103K | CHIP C 0.010UF | K | |
| C118 | | | CQ93FMG1H182J | MYLAR 1800PF | J | |
| C119 | | | CQ93FMG1H683J | MYLAR 0.068UF | J | |
| C120, 121 | | | CQ93FMG1H104J | MYLAR 0.10UF | J | |
| C122 | | | CQ93FMG1H683J | MYLAR 0.068UF | J | |
| C123 | | | CK45FF1H103Z | CERAMIC 0.010UF | Z | |
| C124 | | | CK73FB1H182K | CHIP C 1800PF | K | |
| C125 | | | CK45FF1H103Z | CERAMIC 0.010UF | Z | |
| C126 | | | CQ93FMG1H104J | MYLAR 0.10UF | J | |
| C127 | | | CC73FSL1H221J | CHIP C 220PF | J | |
| C128 | | | CK73FB1H562K | CHIP C 5600PF | K | |
| C129 | | | CK73FB1E473KTA | CHIP C 0.047UF | K | |
| C130 | | | CK73FF1C105Z | CHIP C 1.0UF | Z | |
| C131, 132 | | | CQ93FMG1H224J | MYLAR 0.22UF | J | |
| C133, 134 | | | CE04LW1V4R7M | ELECTRO 4.7UF | 35WV | |
| C135, 136 | | | CQ93FMG1H224J | MYLAR 0.22UF | J | |
| C137 | | | CQ93FMG1H104J | MYLAR 0.10UF | J | |
| C138, 139 | | | CQ93FMG1H473J | MYLAR 0.047UF | J | |
| C140, 141 | | | CQ93FMG1H104J | MYLAR 0.10UF | J | |
| C142, 143 | | | CQ93FMG1H223J | MYLAR 0.022UF | J | |
| C144 | | | CQ93FMG1H104J | MYLAR 0.10UF | J | |
| C145 | | | CK73FB1H681K | CHIP C 680PF | K | |
| C146, 147 | | | CK73FB1C104K | CHIP C 0.10UF | K | |
| C148 | | | CK73FB1H681K | CHIP C 680PF | K | |
| C149, 150 | | | CK73FB1C104K | CHIP C 0.10UF | K | |
| C151 | | | CE04LW1C220M | ELECTRO 22UF | 16WV | |
| C152 | | | CE04LW1E221M | ELECTRO 220UF | 25WV | |
| C153 | | | CE04LW1C100M | ELECTRO 10UF | 16WV | |
| C154 | | | CQ93FMG1H562J | MYLAR 5600PF | J | |
| CN1 | | | E40-3249-05 | PIN ASSY | | |
| CN2 | | | E40-3257-05 | PIN ASSY | | |
| CN3 | | | E40-3250-05 | PIN ASSY | | |
| CN4 | | | E40-3248-05 | PIN ASSY | | |
| CN5 | | | E40-4280-05 | PIN ASSY | | |
| J1 | | | E70-0057-05 | LOCK TERMINAL BOARD(4P) | | K2P2X2 |
| J1 | | | E70-0057-05 | LOCK TERMINAL BOARD(4P) | | Q2E3 |

L : Scandinavia K : USA P : Canada R : Mexico C : China I : Malaysia
 Y : PX(Far East, Hawaii) T : Europe E : Europe V : China(Shanghai)
 Y : AAFES(Europe) X : Australia Q : Russia H : Korea M : Other Areas Δ indicates safety critical components.

PARTS LIST

RXD-951/A700/A900/V616/V818/V919

* New Parts
Parts without **Parts No.** are not supplied.
Les articles non mentionnés dans le **Parts No.** ne sont pas fournis.
Teile ohne **Parts No.** werden nicht geliefert.

17

| Ref. No | Add-ress | New Parts | Parts No. | Description | Desti-nation | Re-marks |
|---------|----------|-----------|--------------|-------------------------|--------------|----------|
| J1 | | | E70-0099-05 | LOCK TERMINAL BOARD(8P) | E1E2Q1 | |
| J1 | | | E70-0099-05 | LOCK TERMINAL BOARD(8P) | K1P1Y1 | |
| J1 | | | E70-0099-05 | LOCK TERMINAL BOARD(8P) | M111X1 | |
| J1 | | | E70-0099-05 | LOCK TERMINAL BOARD(8P) | M212M5 | |
| J1 | | * | E70-0103-05 | LOCK TERMINAL BOARD(8P) | V2 | |
| J2 | | | E70-0046-05 | LOCK TERMINAL BOARD(6P) | E1E2Q1 | |
| J2 | | | E70-0046-05 | LOCK TERMINAL BOARD(6P) | K1P1Y1 | |
| J2 | | | E70-0046-05 | LOCK TERMINAL BOARD(6P) | K2P2X2 | |
| J2 | | | E70-0046-05 | LOCK TERMINAL BOARD(6P) | M111X1 | |
| J2 | | | E70-0046-05 | LOCK TERMINAL BOARD(6P) | M212M5 | |
| J2 | | * | E70-0102-05 | LOCK TERMINAL BOARD(6P) | V2 | |
| J3 | | | E63-0116-05 | PHONO JACK(1P) | K2P2X2 | |
| J3 | | | E63-0116-05 | PHONO JACK(1P) | Q2E3 | |
| - | | | F20-1405-15 | INSULATING SHEET | | |
| E3 | | | J11-0809-05 | WIRE CLAMPER | | |
| L1-4 | | | L39-1373-05 | PHASE COMPENSATION COIL | | |
| L5 | | | L39-1373-05 | PHASE COMPENSATION COIL | E1E2Q1 | |
| L5 | | | L39-1373-05 | PHASE COMPENSATION COIL | K1P1Y1 | |
| L5 | | | L39-1373-05 | PHASE COMPENSATION COIL | M111X1 | |
| L5 | | | L39-1373-05 | PHASE COMPENSATION COIL | M212V2 | |
| L5 | | | L39-1373-05 | PHASE COMPENSATION COIL | M5 | |
| X1 | | | L78-0244-05 | RESONATOR (4.000M) | | |
| R1 | | | RK73FB2A332J | CHIP R 3.3K J 1/10W | | |
| R3 | | | RK73FB2A152J | CHIP R 1.5K J 1/10W | | |
| R5, 6 | | | RK73FB2A222J | CHIP R 2.2K J 1/10W | | |
| R8, 9 | | | RK73FB2A222J | CHIP R 2.2K J 1/10W | | |
| R11 | | | RK73FB2A104J | CHIP R 100K J 1/10W | | |
| R13, 14 | | | RK73FB2A563J | CHIP R 56K J 1/10W | | |
| R31 | | | RK73FB2A332J | CHIP R 3.3K J 1/10W | E1E2Q1 | |
| R31 | | | RK73FB2A332J | CHIP R 3.3K J 1/10W | K1P1Y1 | |
| R31 | | | RK73FB2A332J | CHIP R 3.3K J 1/10W | M111X1 | |
| R31 | | | RK73FB2A332J | CHIP R 3.3K J 1/10W | M212V2 | |
| R31 | | | RK73FB2A332J | CHIP R 3.3K J 1/10W | M5 | |
| R33 | | | RK73FB2A152J | CHIP R 1.5K J 1/10W | E1E2Q1 | |
| R33 | | | RK73FB2A152J | CHIP R 1.5K J 1/10W | K1P1Y1 | |
| R33 | | | RK73FB2A152J | CHIP R 1.5K J 1/10W | M111X1 | |
| R33 | | | RK73FB2A152J | CHIP R 1.5K J 1/10W | M212V2 | |
| R33 | | | RK73FB2A152J | CHIP R 1.5K J 1/10W | M5 | |
| R35 | | | RK73FB2A222J | CHIP R 2.2K J 1/10W | E1E2Q1 | |
| R35 | | | RK73FB2A222J | CHIP R 2.2K J 1/10W | K1P1Y1 | |
| R35 | | | RK73FB2A222J | CHIP R 2.2K J 1/10W | M111X1 | |
| R35 | | | RK73FB2A222J | CHIP R 2.2K J 1/10W | M212V2 | |
| R35 | | | RK73FB2A222J | CHIP R 2.2K J 1/10W | M5 | |
| R37 | | | RK73FB2A222J | CHIP R 2.2K J 1/10W | E1E2Q1 | |
| R37 | | | RK73FB2A222J | CHIP R 2.2K J 1/10W | K1P1Y1 | |
| R37 | | | RK73FB2A222J | CHIP R 2.2K J 1/10W | M111X1 | |
| R37 | | | RK73FB2A222J | CHIP R 2.2K J 1/10W | M212V2 | |
| R37 | | | RK73FB2A222J | CHIP R 2.2K J 1/10W | M5 | |
| R39 | | | RK73FB2A222J | CHIP R 2.2K J 1/10W | E1E2Q1 | |
| R39 | | | RK73FB2A222J | CHIP R 2.2K J 1/10W | K1P1Y1 | |
| R39 | | | RK73FB2A222J | CHIP R 2.2K J 1/10W | M111X1 | |
| R39 | | | RK73FB2A222J | CHIP R 2.2K J 1/10W | M212V2 | |

L : Scandinavia K : USA P : Canada R : Mexico C : China I : Malaysia
Y : PX(Far East, Hawaii) T : Europe E : Europe V : China(Shanghai)
Y : AAFES(Europe) X : Australia Q : Russia H : Korea M : Other Areas Δ indicates safety critical components.

* New Parts
Parts without **Parts No.** are not supplied.
Les articles non mentionnés dans le **Parts No.** ne sont pas fournis.
Teile ohne **Parts No.** werden nicht geliefert.

18

| Ref. No | Add-ress | New Parts | Parts No. | Description | Desti-nation | Re-marks |
|---------|----------|-----------|--------------|----------------------|--------------|----------|
| R39 | | | RK73FB2A222J | CHIP R 2.2K J 1/10W | M5 | |
| R41 | | | RK73FB2A104J | CHIP R 100K J 1/10W | E1E2Q1 | |
| R41 | | | RK73FB2A104J | CHIP R 100K J 1/10W | K1P1Y1 | |
| R41 | | | RK73FB2A104J | CHIP R 100K J 1/10W | M111X1 | |
| R41 | | | RK73FB2A104J | CHIP R 100K J 1/10W | M212V2 | |
| R41 | | | RK73FB2A104J | CHIP R 100K J 1/10W | M5 | |
| R43 | | | RK73FB2A563J | CHIP R 56K J 1/10W | E1E2Q1 | |
| R43 | | | RK73FB2A563J | CHIP R 56K J 1/10W | K1P1Y1 | |
| R43 | | | RK73FB2A563J | CHIP R 56K J 1/10W | M111X1 | |
| R43 | | | RK73FB2A563J | CHIP R 56K J 1/10W | M212V2 | |
| R43 | | | RK73FB2A563J | CHIP R 56K J 1/10W | M5 | |
| R45 | | | RK73FB2A563J | CHIP R 56K J 1/10W | | |
| R45, 46 | | | RK73FB2A431J | CHIP R 430 J 1/10W | | |
| R47, 48 | | | RK73FB2A563J | CHIP R 56K J 1/10W | | |
| R49, 50 | | | R92-1866-05 | METAL FILM 0.1 2W | | |
| R51, 52 | | | RK73FB2A272J | CHIP R 2.7K J 1/10W | K2P2X2 | |
| R51, 52 | | | RK73FB2A272J | CHIP R 2.7K J 1/10W | Q2E3 | |
| R51, 52 | | | RK73FB2A432J | CHIP R 4.3K J 1/10W | E1E2Q1 | |
| R51, 52 | | | RK73FB2A432J | CHIP R 4.3K J 1/10W | K1P1Y1 | |
| R51, 52 | | | RK73FB2A432J | CHIP R 4.3K J 1/10W | M111X1 | |
| R51, 52 | | | RK73FB2A432J | CHIP R 4.3K J 1/10W | M212V2 | |
| R51, 52 | | | RK73FB2A432J | CHIP R 4.3K J 1/10W | M5 | |
| R53, 54 | | | RK73FB2A432J | CHIP R 4.3K J 1/10W | | |
| R55, 56 | | | RK73FB2A102J | CHIP R 1.0K J 1/10W | | |
| R57 | | | RK73FB2A473J | CHIP R 47K J 1/10W | | |
| R59, 60 | | | RS14KB3D4R7J | FL-PROOF RS 4.7 J 2W | | |
| R62 | | | RK73FB2A103J | CHIP R 10K J 1/10W | | |
| R65, 66 | | | RK73FB2A563J | CHIP R 56K J 1/10W | | |
| R67, 68 | | | R92-1866-05 | METAL FILM 0.1 2W | | |
| R69 | | | RK73FB2A332J | CHIP R 3.3K J 1/10W | E1E2Q1 | |
| R69 | | | RK73FB2A332J | CHIP R 3.3K J 1/10W | K1P1Y1 | |
| R69 | | | RK73FB2A332J | CHIP R 3.3K J 1/10W | M111X1 | |
| R69 | | | RK73FB2A332J | CHIP R 3.3K J 1/10W | M212V2 | |
| R69 | | | RK73FB2A332J | CHIP R 3.3K J 1/10W | M5 | |
| R69 | | | RK73FB2A431J | CHIP R 430 J 1/10W | K2P2X2 | |
| R69 | | | RK73FB2A431J | CHIP R 430 J 1/10W | Q2E3 | |
| R70 | | | RK73FB2A272J | CHIP R 2.7K J 1/10W | E1E2Q1 | |
| R70 | | | RK73FB2A272J | CHIP R 2.7K J 1/10W | K1P1Y1 | |
| R70 | | | RK73FB2A272J | CHIP R 2.7K J 1/10W | M111X1 | |
| R70 | | | RK73FB2A272J | CHIP R 2.7K J 1/10W | M212V2 | |
| R70 | | | RK73FB2A272J | CHIP R 2.7K J 1/10W | M5 | |
| R70 | | | RK73FB2A431J | CHIP R 430 J 1/10W | K2P2X2 | |
| R70 | | | RK73FB2A431J | CHIP R 430 J 1/10W | Q2E3 | |
| R70 | | | RK73FB2A202J | CHIP R 2.0K J 1/10W | K2P2X2 | |
| R71, 72 | | | RK73FB2A202J | CHIP R 2.0K J 1/10W | Q2E3 | |
| R71, 72 | | | RK73FB2A432J | CHIP R 4.3K J 1/10W | E1E2Q1 | |
| R71, 72 | | | RK73FB2A432J | CHIP R 4.3K J 1/10W | K1P1Y1 | |
| R71, 72 | | | RK73FB2A432J | CHIP R 4.3K J 1/10W | M111X1 | |
| R71, 72 | | | RK73FB2A432J | CHIP R 4.3K J 1/10W | M212V2 | |
| R71, 72 | | | RK73FB2A432J | CHIP R 4.3K J 1/10W | M5 | |
| R73, 74 | | | RK73FB2A102J | CHIP R 1.0K J 1/10W | | |
| R77, 78 | | | RS14KB3D4R7J | FL-PROOF RS 4.7 J 2W | | |
| R79, 80 | | | RK73FB2A103J | CHIP R 10K J 1/10W | | |
| R81, 84 | | | RD14NB2E4R7J | RD 4.7 J 1/4W | | |
| R85 | | | RD14NB2E4R7J | RD 4.7 J 1/4W | E1E2Q1 | |
| R85 | | | RD14NB2E4R7J | RD 4.7 J 1/4W | K1P1Y1 | |

L : Scandinavia K : USA P : Canada R : Mexico C : China I : Malaysia
Y : PX(Far East, Hawaii) T : Europe E : Europe V : China(Shanghai)
Y : AAFES(Europe) X : Australia Q : Russia H : Korea M : Other Areas Δ indicates safety critical components.

* New Parts

Parts without **Parts No.** are not supplied.
Les articles non mentionnés dans le **Parts No.** ne sont pas fournis.
Teile ohne **Parts No.** werden nicht geliefert.

19

| Ref. No | Add-ress | New Parts | Parts No. | Description | Desti-nation | Re-marks |
|-----------|----------|-----------|--------------|----------------------|--------------|----------|
| R85 | | | RD14NB2E4R7J | RD 4.7 J 1/4W | M11X1 | |
| R85 | | | RD14NB2E4R7J | RD 4.7 J 1/4W | M2I2V2 | |
| R85 | | | RD14NB2E4R7J | RD 4.7 J 1/4W | M5 | |
| R89, 90 | | | RD14NB2E2R2J | RD 2.2 J 1/4W | | |
| R93 | | | RK73FB2A563J | CHIP R 56K J 1/10W | E1E2Q1 | |
| R93 | | | RK73FB2A563J | CHIP R 56K J 1/10W | K1P1Y1 | |
| R93 | | | RK73FB2A563J | CHIP R 56K J 1/10W | M11X1 | |
| R93 | | | RK73FB2A563J | CHIP R 56K J 1/10W | M2I2V2 | |
| R93 | | | RK73FB2A563J | CHIP R 56K J 1/10W | M5 | |
| R95 | | | R92-1866-05 | METAL FILM 0.1 2W | E1E2Q1 | |
| R95 | | | R92-1866-05 | METAL FILM 0.1 2W | K1P1Y1 | |
| R95 | | | R92-1866-05 | METAL FILM 0.1 2W | M11X1 | |
| R95 | | | R92-1866-05 | METAL FILM 0.1 2W | M2I2V2 | |
| R97 | | | RK73FB2A332J | CHIP R 3.3K J 1/10W | M5 | |
| R97 | | | RK73FB2A332J | CHIP R 3.3K J 1/10W | E1E2Q1 | |
| R97 | | | RK73FB2A332J | CHIP R 3.3K J 1/10W | K1P1Y1 | |
| R97 | | | RK73FB2A332J | CHIP R 3.3K J 1/10W | M11X1 | |
| R97 | | | RK73FB2A332J | CHIP R 3.3K J 1/10W | M2I2V2 | |
| R97 | | | RK73FB2A332J | CHIP R 3.3K J 1/10W | M5 | |
| R99 | | | RK73FB2A432J | CHIP R 4.3K J 1/10W | E1E2Q1 | |
| R99 | | | RK73FB2A432J | CHIP R 4.3K J 1/10W | K1P1Y1 | |
| R99 | | | RK73FB2A432J | CHIP R 4.3K J 1/10W | M11X1 | |
| R99 | | | RK73FB2A432J | CHIP R 4.3K J 1/10W | M2I2V2 | |
| R100 | | | RS14KB3D101J | FL-PROOF RS 100 J 2W | M5 | |
| R101 | | | RK73FB2A102J | CHIP R 1.0K J 1/10W | E1E2Q1 | |
| R101 | | | RK73FB2A102J | CHIP R 1.0K J 1/10W | K1P1Y1 | |
| R101 | | | RK73FB2A102J | CHIP R 1.0K J 1/10W | M11X1 | |
| R101 | | | RK73FB2A102J | CHIP R 1.0K J 1/10W | M2I2V2 | |
| R101 | | | RK73FB2A102J | CHIP R 1.0K J 1/10W | M5 | |
| R102 | | | RS14KB3D101J | FL-PROOF RS 100 J 2W | E1E2Q1 | |
| R105 | | | RS14KB3D4R7J | FL-PROOF RS 4.7 J 2W | K1P1Y1 | |
| R105 | | | RS14KB3D4R7J | FL-PROOF RS 4.7 J 2W | M11X1 | |
| R105 | | | RS14KB3D4R7J | FL-PROOF RS 4.7 J 2W | M2I2V2 | |
| R105 | | | RS14KB3D4R7J | FL-PROOF RS 4.7 J 2W | M5 | |
| R107 | | | RK73FB2A103J | CHIP R 10K J 1/10W | E1E2Q1 | |
| R107 | | | RK73FB2A103J | CHIP R 10K J 1/10W | K1P1Y1 | |
| R107 | | | RK73FB2A103J | CHIP R 10K J 1/10W | M11X1 | |
| R107 | | | RK73FB2A103J | CHIP R 10K J 1/10W | M2I2V2 | |
| R107 | | | RK73FB2A103J | CHIP R 10K J 1/10W | M5 | |
| R110 | | | RS14KB3D101J | FL-PROOF RS 100 J 2W | | |
| R113, 114 | | | RK73FB2A223J | CHIP R 22K J 1/10W | | |
| R115, 116 | | | RD14NB2E103J | RD 10K J 1/4W | | |
| R119, 120 | | | RD14NB2E2R2J | RD 2.2 J 1/4W | E1E2Q1 | |
| R119, 120 | | | RD14NB2E2R2J | RD 2.2 J 1/4W | K1P1Y1 | |
| R119, 120 | | | RD14NB2E2R2J | RD 2.2 J 1/4W | M11X1 | |
| R119, 120 | | | RD14NB2E2R2J | RD 2.2 J 1/4W | M2I2V2 | |
| R119, 120 | | | RD14NB2E2R2J | RD 2.2 J 1/4W | M5 | |
| R121 | | | RK73FB2A333J | CHIP R 33K J 1/10W | | |
| R124, 125 | | | RK73FB2A392J | CHIP R 3.9K J 1/10W | E1E2Q1 | |
| R124, 125 | | | RK73FB2A392J | CHIP R 3.9K J 1/10W | K1P1Y1 | |
| R124, 125 | | | RK73FB2A392J | CHIP R 3.9K J 1/10W | M11X1 | |
| R124, 125 | | | RK73FB2A392J | CHIP R 3.9K J 1/10W | M2I2V2 | |
| R124, 125 | | | RK73FB2A392J | CHIP R 3.9K J 1/10W | M5 | |

L : Scandinavia K : USA P : Canada R : Mexico C : China I : Malaysia
Y : PX(Far East, Hawaii) T : Europe E : Europe G : Germany V : China(Shanghai)
Y : AAFES(Europe) X : Australia Q : Russia H : Korea M : Other Areas Δ indicates safety critical components.

* New Parts

Parts without **Parts No.** are not supplied.
Les articles non mentionnés dans le **Parts No.** ne sont pas fournis.
Teile ohne **Parts No.** werden nicht geliefert.

20

| Ref. No | Add-ress | New Parts | Parts No. | Description | Desti-nation | Re-marks |
|-----------|----------|-----------|--------------|----------------------|--------------|----------|
| R129, 130 | | | RK73FB2A472J | CHIP R 4.7K J 1/10W | | |
| R135 | | | RS14KB3A271J | FL-PROOF RS 270 J 1W | | |
| R136 | | | RK73FB2A431J | CHIP R 430 J 1/10W | | |
| R137 | | | RK73FB2A101J | CHIP R 100 J 1/10W | | |
| R138 | | | RD14NB2E101J | RD 100 J 1/4W | | |
| R139 | | | RK73FB2A621J | CHIP R 620 J 1/10W | K2P2X2 | |
| R139 | | | RK73FB2A621J | CHIP R 620 J 1/10W | Q2E3 | |
| R140, 141 | | | RK73FB2A123J | CHIP R 12K J 1/10W | K2P2X2 | |
| R140, 141 | | | RK73FB2A123J | CHIP R 12K J 1/10W | Q2E3 | |
| R142 | | | RK73FB2C123J | CHIP R 12K J 1/6W | K2P2X2 | |
| R142 | | | RK73FB2C123J | CHIP R 12K J 1/6W | Q2E3 | |
| R143, 144 | | | RS14KB3A101J | FL-PROOF RS 100 J 1W | K2P2X2 | |
| R143, 144 | | | RS14KB3A101J | FL-PROOF RS 100 J 1W | Q2E3 | |
| R145, 146 | | | RK73FB2A103J | CHIP R 10K J 1/10W | E1E2Q1 | |
| R145, 146 | | | RK73FB2A103J | CHIP R 10K J 1/10W | K1P1Y1 | |
| R145, 146 | | | RK73FB2A103J | CHIP R 10K J 1/10W | M11X1 | |
| R145, 146 | | | RK73FB2A103J | CHIP R 10K J 1/10W | M2I2V2 | |
| R147, 148 | | | RS14KB3D2R7J | FL-PROOF RS 2.7 J 2W | | |
| R152-154 | | | RK73FB2A102J | CHIP R 1.0K J 1/10W | | |
| R156 | | | RK73FB2A102J | CHIP R 1.0K J 1/10W | | |
| R158 | | | RK73FB2A243J | CHIP R 24K J 1/10W | | |
| R159 | | | RK73FB2A334J | CHIP R 330K J 1/10W | | |
| R160 | | | RK73FB2A473J | CHIP R 47K J 1/10W | | |
| R161 | | | RK73FB2A153J | CHIP R 15K J 1/10W | | |
| R162 | | | RK73FB2A752J | CHIP R 7.5K J 1/10W | | |
| R163 | | | RK73FB2A473J | CHIP R 47K J 1/10W | | |
| R164 | | | RK73FB2A153J | CHIP R 15K J 1/10W | | |
| R165 | | | RK73FB2A752J | CHIP R 7.5K J 1/10W | | |
| R166 | | | RK73FB2A475J | CHIP R 4.7M J 1/10W | | |
| R167 | | | RK73FB2A104J | CHIP R 100K J 1/10W | | |
| W69 | | | R92-0670-05 | CHIP R 0 OHM | | |
| K1, 2 | | | S76-0076-05 | MAGNETIC RELAY | | |
| K3 | | | S76-0078-05 | MAGNETIC RELAY | E1E2Q1 | |
| K3 | | | S76-0078-05 | MAGNETIC RELAY | K1P1Y1 | |
| K3 | | | S76-0078-05 | MAGNETIC RELAY | M11X1 | |
| K3 | | | S76-0078-05 | MAGNETIC RELAY | M2I2V2 | |
| K3 | | | S76-0078-05 | MAGNETIC RELAY | M5 | |
| K4 | | | S76-0076-05 | MAGNETIC RELAY | | |
| D1, 2 | | | HZS8.2N(B2) | ZENER DIODE | E1E2Q1 | |
| D1, 2 | | | HZS8.2N(B2) | ZENER DIODE | K1P1Y1 | |
| D1, 2 | | | HZS8.2N(B2) | ZENER DIODE | M11X1 | |
| D1, 2 | | | HZS8.2N(B2) | ZENER DIODE | M2I2V2 | |
| D1, 2 | | | HZS8.2N(B2) | ZENER DIODE | M5 | |
| D1, 2 | | | MTZJ8.2(B) | ZENER DIODE | E1E2Q1 | |
| D1, 2 | | | MTZJ8.2(B) | ZENER DIODE | K1P1Y1 | |
| D1, 2 | | | MTZJ8.2(B) | ZENER DIODE | M11X1 | |
| D1, 2 | | | MTZJ8.2(B) | ZENER DIODE | M2I2V2 | |
| D1, 2 | | | MTZJ8.2(B) | ZENER DIODE | M5 | |
| D4, 5 | | | HZS8.2N(B2) | ZENER DIODE | E1E2Q1 | |
| D4, 5 | | | HZS8.2N(B2) | ZENER DIODE | K1P1Y1 | |
| D4, 5 | | | HZS8.2N(B2) | ZENER DIODE | M11X1 | |
| D4, 5 | | | HZS8.2N(B2) | ZENER DIODE | M2I2V2 | |
| D4, 5 | | | HZS8.2N(B2) | ZENER DIODE | M5 | |

L : Scandinavia K : USA P : Canada R : Mexico C : China I : Malaysia
Y : PX(Far East, Hawaii) T : Europe E : Europe G : Germany V : China(Shanghai)
Y : AAFES(Europe) X : Australia Q : Russia H : Korea M : Other Areas Δ indicates safety critical components.

PARTS LIST

RXD-951/A700/A900/V616/V818/V919

* New Parts

Parts without **Parts No.** are not supplied.Les articles non mentionnés dans le **Parts No.** ne sont pas fournis.Teile ohne **Parts No.** werden nicht geliefert.

21

| Ref. No | Add-ress | New Parts | Parts No. | Description | Desti-nation | Re-marks |
|---------|----------|-----------|-------------|-------------|--------------|----------|
| D4, 5 | | | MTZJ8.2(B) | ZENER DIODE | E1E2Q1 | |
| D4, 5 | | | MTZJ8.2(B) | ZENER DIODE | K1P1Y1 | |
| D4, 5 | | | MTZJ8.2(B) | ZENER DIODE | M11X1 | |
| D4, 5 | | | MTZJ8.2(B) | ZENER DIODE | M2I2V2 | |
| D4, 5 | | | MTZJ8.2(B) | ZENER DIODE | M5 | |
| D7, 8 | | | HSS104A | DIODE | | |
| D7, 8 | | | 1S133 | DIODE | | |
| D9 | | | HZS11N(B2) | ZENER DIODE | | |
| D9 | | | MTZJ11(B) | ZENER DIODE | | |
| D10 | | | HZS5.1N(B2) | ZENER DIODE | | |
| D10 | | | MTZJ5.1(B) | ZENER DIODE | | |
| D11 | | | HSS104A | DIODE | | |
| D11 | | | 1S133 | DIODE | | |
| D12, 13 | | | HZS10N(B2) | ZENER DIODE | | |
| D12, 13 | | | MTZJ10(B) | ZENER DIODE | | |
| D14~17 | | | HSS104A | DIODE | | |
| D14~17 | | | 1S133 | DIODE | | |
| D18 | | | HSS104A | DIODE | E1E2Q1 | |
| D18 | | | HSS104A | DIODE | K1P1Y1 | |
| D18 | | | HSS104A | DIODE | M11X1 | |
| D18 | | | HSS104A | DIODE | M2I2V2 | |
| D18 | | | HSS104A | DIODE | M5 | |
| D18 | | | 1S133 | DIODE | E1E2Q1 | |
| D18 | | | 1S133 | DIODE | K1P1Y1 | |
| D18 | | | 1S133 | DIODE | M11X1 | |
| D18 | | | 1S133 | DIODE | M2I2V2 | |
| D18 | | | 1S133 | DIODE | M5 | |
| △ IC1 | | | STK410-030D | HYBRID IC | E1E2Q1 | |
| △ IC1 | | | STK410-030D | HYBRID IC | K1P1Y1 | |
| △ IC1 | | | STK410-030D | HYBRID IC | M11X1 | |
| △ IC1 | | | STK410-030D | HYBRID IC | M2I2V2 | |
| △ IC1 | | | STK410-030D | HYBRID IC | M5 | |
| △ IC1 | | | STK410-030K | HYBRID IC | E1E2Q1 | |
| △ IC1 | | | STK410-030K | HYBRID IC | K1P1Y1 | |
| △ IC1 | | | STK410-030K | HYBRID IC | M11X1 | |
| △ IC1 | | | STK410-030K | HYBRID IC | M2I2V2 | |
| △ IC2 | | | STK411-230D | HYBRID IC | E1E2Q1 | |
| △ IC2 | | | STK411-230D | HYBRID IC | K1P1Y1 | |
| △ IC2 | | | STK411-230D | HYBRID IC | M11X1 | |
| △ IC2 | | | STK411-230D | HYBRID IC | M2I2V2 | |
| △ IC2 | | | STK411-230D | HYBRID IC | M5 | |
| △ IC2 | | | STK411-230K | HYBRID IC | E1E2Q1 | |
| △ IC2 | | | STK411-230K | HYBRID IC | K1P1Y1 | |
| △ IC2 | | | STK411-230K | HYBRID IC | M11X1 | |
| △ IC2 | | | STK411-230K | HYBRID IC | M2I2V2 | |
| △ IC2 | | | STK411-230K | HYBRID IC | M5 | |
| △ IC3 | | | STK411-230K | HYBRID IC | | |
| △ IC3 | | | M62460AFP-1 | ANALOGUE IC | | |
| △ IC4 | | | M62429P | ANALOGUE IC | | |
| △ IC5 | | | STK407-710K | HYBRID IC | K2P2X2 | |
| △ IC5 | | | STK407-710K | HYBRID IC | Q2E3 | |
| △ IC6 | | | STK407-050K | HYBRID IC | K2P2X2 | |
| △ IC6 | | | STK407-050K | HYBRID IC | Q2E3 | |
| △ IC7 | | | M5278L05M | ANALOGUE IC | | |
| Q1-4 | | | 2SC4213(B) | TRANSISTOR | | |
| Q5-8 | | | 2SC2878(B) | TRANSISTOR | | |

L: Scandinavia K: USA P: Canada R: Mexico C: China I: Malaysia

Y: PX(Far East, Hawaii) T: Europe E: Europe G: Germany V: China(Shanghai)

Y: AAFES(Europe) X: Australia Q: Russia H: Korea M: Other Areas △ indicates safety critical components.

* New Parts

Parts without **Parts No.** are not supplied.Les articles non mentionnés dans le **Parts No.** ne sont pas fournis.Teile ohne **Parts No.** werden nicht geliefert.

22

| Ref. No | Add-ress | New Parts | Parts No. | Description | Desti-nation | Re-marks |
|-------------------------------------|----------|-----------|---------------|-------------|--------------|----------|
| Q9-12 | | | 2SC3722K(R,S) | TRANSISTOR | | |
| Q13 | | | 2SC4213(B) | TRANSISTOR | E1E2Q1 | |
| Q13 | | | 2SC4213(B) | TRANSISTOR | K1P1Y1 | |
| Q13 | | | 2SC4213(B) | TRANSISTOR | M11X1 | |
| Q13 | | | 2SC4213(B) | TRANSISTOR | M2I2V2 | |
| Q13 | | | 2SC4213(B) | TRANSISTOR | M5 | |
| Q14 | | | 2SC2785(F,E) | TRANSISTOR | V2 | |
| Q14 | | | KTC3199(Y,GR) | TRANSISTOR | E1E2Q1 | |
| Q14 | | | KTC3199(Y,GR) | TRANSISTOR | K1P1Y1 | |
| Q14 | | | KTC3199(Y,GR) | TRANSISTOR | K2P2X2 | |
| Q14 | | | KTC3199(Y,GR) | TRANSISTOR | | |
| Q14 | | | KTC3199(Y,GR) | TRANSISTOR | M11X1 | |
| Q14 | | | KTC3199(Y,GR) | TRANSISTOR | M2I2M5 | |
| Q14 | | | 2SC1740S(Q,R) | TRANSISTOR | | |
| Q15 | | | 2SC4213(B) | TRANSISTOR | E1E2Q1 | |
| Q15 | | | 2SC4213(B) | TRANSISTOR | K1P1Y1 | |
| Q15 | | | 2SC4213(B) | TRANSISTOR | M11X1 | |
| Q15 | | | 2SC4213(B) | TRANSISTOR | M2I2V2 | |
| Q15 | | | 2SC4213(B) | TRANSISTOR | M5 | |
| Q16, 17 | | | KTC3199(Y,GR) | TRANSISTOR | E1E2Q1 | |
| Q16, 17 | | | KTC3199(Y,GR) | TRANSISTOR | K1P1Y1 | |
| Q16, 17 | | | KTC3199(Y,GR) | TRANSISTOR | M11X1 | |
| Q16, 17 | | | KTC3199(Y,GR) | TRANSISTOR | M2I2M5 | |
| Q16, 17 | | | 2SC1740S(Q,R) | TRANSISTOR | | |
| Q16, 17 | | | 2SC2785(F,E) | TRANSISTOR | V2 | |
| Q18 | | | 2SD2012 | TRANSISTOR | | |
| Q19 | | | 2SA1286-T11 | TRANSISTOR | | |
| Q20 | | | 2SC4081(R,S) | TRANSISTOR | | |
| Q20 | | | 2SD1819A(Q,R) | TRANSISTOR | | |
| Q21 | | | 2SC3940A(R,S) | TRANSISTOR | | |
| △ Q22 | | | 2SB1624*2 | TRANSISTOR | | |
| Q23 | | | 2SC3722K(R,S) | TRANSISTOR | E1E2Q1 | |
| Q23 | | | 2SC3722K(R,S) | TRANSISTOR | K1P1Y1 | |
| Q23 | | | 2SC3722K(R,S) | TRANSISTOR | M11X1 | |
| Q23 | | | 2SC3722K(R,S) | TRANSISTOR | M2I2V2 | |
| Q23 | | | 2SC3722K(R,S) | TRANSISTOR | M5 | |
| AUDIO UNIT (X09-601/603X-XX) | | | | | | |
| C1, 2 | | | CC45FSL1H221J | CERAMIC | 220PF | J |
| C3, 4 | | | CC45FSL1H221J | CERAMIC | 220PF | J |
| C3, 4 | | | CC45FSL1H221J | CERAMIC | 220PF | J |
| C3, 4 | | | CC45FSL1H221J | CERAMIC | 220PF | J |
| C3, 4 | | | CC45FSL1H221J | CERAMIC | 220PF | J |
| C3, 4 | | | CC45FSL1H221J | CERAMIC | 220PF | J |
| C5 | | | CC45FSL1H221J | CERAMIC | 220PF | J |
| C6 | | | CE04LW1H100M | ELECTRO | 10UF | 50WV |
| C6 | | | CE04LW1H100M | ELECTRO | 10UF | 50WV |
| C6 | | | CE04LW1H100M | ELECTRO | 10UF | 50WV |
| C6 | | | CE04LW1H100M | ELECTRO | 10UF | 50WV |
| C6 | | | CK45FB1H102K | CERAMIC | 1000PF | K |
| C6 | | | CK45FB1H102K | CERAMIC | 1000PF | K |
| C6 | | | CK45FB1H102K | CERAMIC | 1000PF | K |
| C6 | | | CK45FB1H102K | CERAMIC | 1000PF | K |
| C6 | | | CK45FB1H102K | CERAMIC | 1000PF | K |
| C6 | | | CE04LW1H100M | ELECTRO | 10UF | 50WV |
| C7 | | | CE04LW1H100M | ELECTRO | 10UF | 50WV |
| C7 | | | CE04LW1H100M | ELECTRO | 10UF | 50WV |
| C7 | | | CE04LW1H100M | ELECTRO | 10UF | 50WV |

L: Scandinavia K: USA P: Canada R: Mexico C: China I: Malaysia

Y: PX(Far East, Hawaii) T: Europe E: Europe G: Germany V: China(Shanghai)

Y: AAFES(Europe) X: Australia Q: Russia H: Korea M: Other Areas △ indicates safety critical components.

* New Parts

Parts without **Parts No.** are not supplied.
Les articles non mentionnés dans le **Parts No.** ne sont pas fournis.
Teile ohne **Parts No.** werden nicht geliefert.

23

| Ref. No | Add-ress | New Parts | Parts No. | Description | Desti-nation | Re-marks |
|---------|----------|-----------|---------------|---------------------------|--------------|----------|
| C7 | | | CE04LW1H100M | ELECTRO 10UF 50WV | M111X1 | |
| C7 | | | CE04LW1H100M | ELECTRO 10UF 50WV | M2M3I2 | |
| C7 | | | CE04LW1H100M | ELECTRO 10UF 50WV | M5 | |
| C7 | | | CF92FV1H224J | MF-C 0.22UF J | K2P2X2 | |
| C7 | | | CF92FV1H224J | MF-C 0.22UF J | M4I4V4 | |
| C7 | | | CF92FV1H224J | MF-C 0.22UF J | Q2E3 | |
| C8 | | | CE04LW1E222M | ELECTRO 2200UF 25WV | V2V3V4 | |
| C8 | | | C90-3667-05 | ALUMINIUM ELECTROLYTIC C. | I2I2I4 | |
| C8 | | | C90-3667-05 | ALUMINIUM ELECTROLYTIC C. | M2M3M4 | |
| C9 | | | CE04LW1H2R2M | ELECTRO 2.2UF 50WV | E1E2Q1 | |
| C9 | | | CE04LW1H2R2M | ELECTRO 2.2UF 50WV | I3V2V3 | |
| C9 | | | CE04LW1H2R2M | ELECTRO 2.2UF 50WV | K1P1Y1 | |
| C9 | | | CE04LW1H2R2M | ELECTRO 2.2UF 50WV | M111X1 | |
| C9 | | | CE04LW1H2R2M | ELECTRO 2.2UF 50WV | M2M3I2 | |
| C9 | | | CE04LW1H2R2M | ELECTRO 2.2UF 50WV | M5 | |
| C10 | | | CE04LW1C100M | ELECTRO 10UF 16WV | V2V3V4 | |
| C10 | | | C90-3684-05 | ALUMINIUM ELECTROLYTIC C. | I2I3I4 | |
| C10 | | | C90-3684-05 | ALUMINIUM ELECTROLYTIC C. | M2M3M4 | |
| C11, 12 | | | CE04LW1C100M | ELECTRO 10UF 16WV | | |
| C13-16 | | | CC45FSL1H101J | CERAMIC 100PF J | | |
| C17, 18 | | | CE04LW1C100M | ELECTRO 10UF 16WV | | |
| C19 | | | CE04LW1E221M | ELECTRO 220UF 25WV | V2V3V4 | |
| C19 | | | C90-3663-05 | ALUMINIUM ELECTROLYTIC C. | I2I3I4 | |
| C19 | | | C90-3663-05 | ALUMINIUM ELECTROLYTIC C. | M2M3M4 | |
| C21, 22 | | | CF92FV1H104J | MF-C 0.10UF J | | |
| C23 | | | CE04LW1C221M | ELECTRO 220UF 16WV | V2V3V4 | |
| C23 | | | C90-3651-05 | ELECTRO 220UF 16WV | E1E2Q1 | |
| C23 | | | C90-3651-05 | ELECTRO 220UF 16WV | E3Q2M5 | |
| C23 | | | C90-3651-05 | ELECTRO 220UF 16WV | I2I3I4 | |
| C23 | | | C90-3651-05 | ELECTRO 220UF 16WV | K1P1Y1 | |
| C23 | | | C90-3651-05 | ELECTRO 220UF 16WV | K2P2X2 | |
| C23 | | | C90-3651-05 | ELECTRO 220UF 16WV | M111X1 | |
| C23 | | | C90-3651-05 | ELECTRO 220UF 16WV | M2M3M4 | |
| C24, 25 | | | CF92FV1H104J | MF-C 0.10UF J | | |
| C26 | | | CE04LW1C221M | ELECTRO 220UF 16WV | V2V3V4 | |
| C26 | | | C90-3651-05 | ELECTRO 220UF 16WV | E1E2Q1 | |
| C26 | | | C90-3651-05 | ELECTRO 220UF 16WV | E3Q2M5 | |
| C26 | | | C90-3651-05 | ELECTRO 220UF 16WV | I2I3I4 | |
| C26 | | | C90-3651-05 | ELECTRO 220UF 16WV | K1P1Y1 | |
| C26 | | | C90-3651-05 | ELECTRO 220UF 16WV | K2P2X2 | |
| C26 | | | C90-3651-05 | ELECTRO 220UF 16WV | M111X1 | |
| C26 | | | C90-3651-05 | ELECTRO 220UF 16WV | M2M3M4 | |
| C27 | | | CE04LW1C101M | ELECTRO 100UF 16WV | | |
| C28 | | | CE04LW1C100M | ELECTRO 10UF 16WV | | |
| C29 | | | CF92FV1H394J | MF-C 0.39UF J | E1E2Q1 | |
| C29 | | | CF92FV1H394J | MF-C 0.39UF J | I3V2V3 | |
| C29 | | | CF92FV1H394J | MF-C 0.39UF J | K1P1Y1 | |
| C29 | | | CF92FV1H394J | MF-C 0.39UF J | M111X1 | |
| C29 | | | CF92FV1H394J | MF-C 0.39UF J | M2M3I2 | |
| C29 | | | CF92FV1H394J | MF-C 0.39UF J | M5 | |
| C30 | | | CQ93FMG1H333J | MYLAR 0.033UF J | E1E2Q1 | |
| C30 | | | CQ93FMG1H333J | MYLAR 0.033UF J | I3V2V3 | |
| C30 | | | CQ93FMG1H333J | MYLAR 0.033UF J | K1P1Y1 | |
| C30 | | | CQ93FMG1H333J | MYLAR 0.033UF J | M111X1 | |
| C30 | | | CQ93FMG1H333J | MYLAR 0.033UF J | M2M3I2 | |

L : Scandinavia K : USA P : Canada R : Mexico C : China I : Malaysia
Y : PX(Far East, Hawaii) T : Europe E : Europe G : Germany V : China(Shanghai)
Y : AAFES(Europe) X : Australia Q : Russia H : Korea M : Other Areas Δ indicates safety critical components.

* New Parts

Parts without **Parts No.** are not supplied.
Les articles non mentionnés dans le **Parts No.** ne sont pas fournis.
Teile ohne **Parts No.** werden nicht geliefert.

24

| Ref. No | Add-ress | New Parts | Parts No. | Description | Desti-nation | Re-marks |
|---------|----------|-----------|---------------|---------------------|--------------|----------|
| C30 | | | CQ93FMG1H333J | MYLAR 0.033UF J | M5 | |
| C31 | | | CE04LW1A101M | ELECTRO 100UF 10WV | | |
| C32-34 | | | CE04LW1C100M | ELECTRO 10UF 16WV | | |
| C35, 36 | | | CE04LW1H2R2M | ELECTRO 2.2UF 50WV | | |
| C37, 38 | | | CE04LW1HR47M | ELECTRO 0.47UF 50WV | | |
| C39 | | | CK45FF1H472Z | CERAMIC 4700PF Z | | |
| C40 | | | CE04LW1HR47M | ELECTRO 0.47UF 50WV | | |
| C41 | | | CK45FF1H103Z | CERAMIC 0.010UF Z | | |
| C42 | | | CE04LW1V4R7M | ELECTRO 4.7UF 35WV | | |
| C43, 44 | | | CE04LW1H3R3M | ELECTRO 3.3UF 50WV | | |
| C45, 46 | | | CQ93FMG1H104J | MYLAR 0.10UF J | E1E2Q1 | |
| C45, 46 | | | CQ93FMG1H104J | MYLAR 0.10UF J | I3V2V3 | |
| C45, 46 | | | CQ93FMG1H104J | MYLAR 0.10UF J | K1P1Y1 | |
| C45, 46 | | | CQ93FMG1H104J | MYLAR 0.10UF J | M111X1 | |
| C45, 46 | | | CQ93FMG1H104J | MYLAR 0.10UF J | M2M3I2 | |
| C45, 46 | | | CQ93FMG1H104J | MYLAR 0.10UF J | M5 | |
| C45, 46 | | | CQ93FMG1H563J | MYLAR 0.056UF J | K2P2X2 | |
| C45, 46 | | | CQ93FMG1H563J | MYLAR 0.056UF J | M4I4V4 | |
| C45, 46 | | | CQ93FMG1H563J | MYLAR 0.056UF J | Q2E3 | |
| C47, 48 | | | CE04LW1HR33M | ELECTRO 0.33UF 50WV | | |
| C49, 50 | | | CQ93FMG1H153J | MYLAR 0.015UF J | | |
| C51, 52 | | | CE04LW1H2R2M | ELECTRO 2.2UF 50WV | | |
| C53, 54 | | | CQ93FMG1H682J | MYLAR 6800PF J | | |
| C55, 56 | | | CQ93FMG1H153J | MYLAR 0.015UF J | | |
| C57, 58 | | | CQ93FMG1H102J | MYLAR 1000PF J | K2P2X2 | |
| C57, 58 | | | CQ93FMG1H102J | MYLAR 1000PF J | M4I4V4 | |
| C57, 58 | | | CQ93FMG1H102J | MYLAR 1000PF J | Q2E3 | |
| C57, 58 | | | CQ93FMG1H332J | MYLAR 3300PF J | E1E2Q1 | |
| C57, 58 | | | CQ93FMG1H332J | MYLAR 3300PF J | I3V2V3 | |
| C57, 58 | | | CQ93FMG1H332J | MYLAR 3300PF J | K1P1Y1 | |
| C57, 58 | | | CQ93FMG1H332J | MYLAR 3300PF J | M111X1 | |
| C57, 58 | | | CQ93FMG1H332J | MYLAR 3300PF J | M2M3I2 | |
| C57, 58 | | | CQ93FMG1H332J | MYLAR 3300PF J | M5 | |
| C59 | | | CE04LW1H3R3M | ELECTRO 3.3UF 50WV | E1E2Q1 | |
| C59 | | | CE04LW1H3R3M | ELECTRO 3.3UF 50WV | I3V2V3 | |
| C59 | | | CE04LW1H3R3M | ELECTRO 3.3UF 50WV | K1P1Y1 | |
| C59 | | | CE04LW1H3R3M | ELECTRO 3.3UF 50WV | M111X1 | |
| C59 | | | CE04LW1H3R3M | ELECTRO 3.3UF 50WV | M2M3I2 | |
| C59 | | | CE04LW1H3R3M | ELECTRO 3.3UF 50WV | M5 | |
| C61 | | | CE04LW1H3R3M | ELECTRO 3.3UF 50WV | E1E2Q1 | |
| C61 | | | CE04LW1H3R3M | ELECTRO 3.3UF 50WV | I3V2V3 | |
| C61 | | | CE04LW1H3R3M | ELECTRO 3.3UF 50WV | K1P1Y1 | |
| C61 | | | CE04LW1H3R3M | ELECTRO 3.3UF 50WV | M111X1 | |
| C61 | | | CE04LW1H3R3M | ELECTRO 3.3UF 50WV | M2M3I2 | |
| C61 | | | CE04LW1H3R3M | ELECTRO 3.3UF 50WV | M5 | |
| C63-68 | | | CE04LW1H3R3M | ELECTRO 3.3UF 50WV | | |
| C69 | | | CC45FSL1H221J | CERAMIC 220PF J | | |
| C70 | | | CE04HW1HR22M | NP-ELEC 0.22UF 50WV | E1E2Q1 | |
| C70 | | | CE04HW1HR22M | NP-ELEC 0.22UF 50WV | I3V2V3 | |
| C70 | | | CE04HW1HR22M | NP-ELEC 0.22UF 50WV | K1P1Y1 | |
| C70 | | | CE04HW1HR22M | NP-ELEC 0.22UF 50WV | | |
| C70 | | | CE04HW1HR22M | NP-ELEC 0.22UF 50WV | | |
| C70 | | | CE04HW1HR22M | NP-ELEC 0.22UF 50WV | | |
| C71, 72 | | | CE04LW1C100M | ELECTRO 10UF 16WV | | |
| C73, 74 | | | CC45FSL1H101J | CERAMIC 100PF J | E1E2Q1 | |

L : Scandinavia K : USA P : Canada R : Mexico C : China I : Malaysia
Y : PX(Far East, Hawaii) T : Europe E : Europe G : Germany V : China(Shanghai)
Y : AAFES(Europe) X : Australia Q : Russia H : Korea M : Other Areas Δ indicates safety critical components.

PARTS LIST

RXD-951/A700/A900/V616/V818/V919

* New Parts
Parts without **Parts No.** are not supplied.
Les articles non mentionnés dans le **Parts No.** ne sont pas fournis.
Teile ohne **Parts No.** werden nicht geliefert.

25

| Ref. No | Add-ress | New Parts | Parts No. | Description | Desti-nation | Re-marks |
|---------|----------|-----------|---------------|---------------------------|--------------|----------|
| C73, 74 | | | CC45FSL1H101J | CERAMIC 100PF J | Q2E3 | |
| C77, 78 | | | CE04LW1C100M | ELECTRO 10UF 16WV | | |
| C79 | | | CK45FB1H102K | CERAMIC 1000PF K | I4V3V4 | |
| C79 | | | CK45FB1H102K | CERAMIC 1000PF K | M4M3I3 | |
| C80 | | | CK45FF1H103Z | CERAMIC 0.010UF Z | I4V3V4 | |
| C80 | | | CK45FF1H103Z | CERAMIC 0.010UF Z | M3M4I3 | |
| C81 | | | CE04LW1J101M | ELECTRO 100UF 63WV | K2P2X2 | |
| C81 | | | CE04LW1J101M | ELECTRO 100UF 63WV | M4I4V4 | |
| C81 | | | CE04LW1J101M | ELECTRO 100UF 63WV | Q2E3 | |
| C81 | | | CE04LW2A101M | ELECTRO 100UF 100WV | E1E2Q1 | |
| C81 | | | CE04LW2A101M | ELECTRO 100UF 100WV | I3V2V3 | |
| C81 | | | CE04LW2A101M | ELECTRO 100UF 100WV | K1P1Y1 | |
| C81 | | | CE04LW2A101M | ELECTRO 100UF 100WV | M111X1 | |
| C81 | | | CE04LW2A101M | ELECTRO 100UF 100WV | M2M3I2 | |
| C81 | | | CE04LW2A101M | ELECTRO 100UF 100WV | M5 | |
| C82, 83 | | | CE04LW1V470M | ELECTRO 47UF 35WV | | |
| C88, 89 | | | CE04LW1V222M | ELECTRO 2200UF 35WV | E3Q2 | |
| C88, 89 | | | CE04LW1V222M | ELECTRO 2200UF 35WV | K2P2X2 | |
| C88, 89 | | | CE04LW1V222M | ELECTRO 2200UF 35WV | M4I4V4 | |
| C88, 89 | | | C90-3790-05 | ELECTRO 4700UF 35WV | E1E2Q1 | |
| C88, 89 | | | C90-3790-05 | ELECTRO 4700UF 35WV | I3V2V3 | |
| C88, 89 | | | C90-3790-05 | ELECTRO 4700UF 35WV | K1P1Y1 | |
| C88, 89 | | | C90-3790-05 | ELECTRO 4700UF 35WV | M111X1 | |
| C88, 89 | | | C90-3790-05 | ELECTRO 4700UF 35WV | M2M3I2 | |
| C88, 89 | | | C90-3790-05 | ELECTRO 4700UF 35WV | M5 | |
| C90, 91 | | | C90-3789-05 | ELECTRO 4700UF 75WV | E1E2Q1 | |
| C90, 91 | | | C90-3789-05 | ELECTRO 4700UF 75WV | I3V2V3 | |
| C90, 91 | | | C90-3789-05 | ELECTRO 4700UF 75WV | K1P1Y1 | |
| C90, 91 | | | C90-3789-05 | ELECTRO 4700UF 75WV | M111X1 | |
| C90, 91 | | | C90-3789-05 | ELECTRO 4700UF 75WV | M2M3I2 | |
| C90, 91 | | | C90-3789-05 | ELECTRO 4700UF 75WV | M5 | |
| C90, 91 | | | C90-3791-05 | ELECTRO 4700UF 63WV | E3Q2 | |
| C90, 91 | | | C90-3791-05 | ELECTRO 4700UF 63WV | K2P2X2 | |
| C90, 91 | | | C90-3791-05 | ELECTRO 4700UF 63WV | M4I4V4 | |
| C94 | | | CE04LW1C221M | ELECTRO 220UF 16WV | V2V3V4 | |
| C94 | | | C90-3651-05 | ELECTRO 220UF 16WV | E1E2Q1 | |
| C94 | | | C90-3651-05 | ELECTRO 220UF 16WV | E3Q2M5 | |
| C94 | | | C90-3651-05 | ELECTRO 220UF 16WV | I2I3I4 | |
| C94 | | | C90-3651-05 | ELECTRO 220UF 16WV | K1P1Y1 | |
| C94 | | | C90-3651-05 | ELECTRO 220UF 16WV | K2P2X2 | |
| C94 | | | C90-3651-05 | ELECTRO 220UF 16WV | M111X1 | |
| C94 | | | C90-3651-05 | ELECTRO 220UF 16WV | M2M3M4 | |
| C95 | | | CE04LW1V4R7M | ELECTRO 4.7UF 35WV | V2V3V4 | |
| C95 | | | C90-3715-05 | ELECTRO 4.7UF 35WV | E1E2Q1 | |
| C95 | | | C90-3715-05 | ELECTRO 4.7UF 35WV | E3Q2M5 | |
| C95 | | | C90-3715-05 | ELECTRO 4.7UF 35WV | I2I3I4 | |
| C95 | | | C90-3715-05 | ELECTRO 4.7UF 35WV | K1P1Y1 | |
| C95 | | | C90-3715-05 | ELECTRO 4.7UF 35WV | K2P2X2 | |
| C95 | | | C90-3715-05 | ELECTRO 4.7UF 35WV | M111X1 | |
| C95 | | | C90-3715-05 | ELECTRO 4.7UF 35WV | M2M3M4 | |
| C96 | | | CE04LW1A470M | ELECTRO 47UF 10WV | V2V3V4 | |
| C96 | | | C90-3714-05 | ALUMINIUM ELECTROLYTIC C. | E1E2Q1 | |
| C96 | | | C90-3714-05 | ALUMINIUM ELECTROLYTIC C. | E3Q2M5 | |
| C96 | | | C90-3714-05 | ALUMINIUM ELECTROLYTIC C. | I2I3I4 | |
| C96 | | | C90-3714-05 | ALUMINIUM ELECTROLYTIC C. | K1P1Y1 | |

L : Scandinavia K : USA P : Canada R : Mexico C : China I : Malaysia
Y : PX(Far East, Hawaii) T : Europe E : Europe V : China(Shanghai)
Y : AAFES(Europe) X : Australia Q : Russia H : Korea M : Other Areas Δ indicates safety critical components.

* New Parts
Parts without **Parts No.** are not supplied.
Les articles non mentionnés dans le **Parts No.** ne sont pas fournis.
Teile ohne **Parts No.** werden nicht geliefert.

26

| Ref. No | Add-ress | New Parts | Parts No. | Description | Desti-nation | Re-marks |
|-----------|----------|-----------|--------------|---------------------------|--------------|----------|
| C96 | | | C90-3714-05 | ALUMINIUM ELECTROLYTIC C. | K2P2X2 | |
| C96 | | | C90-3714-05 | ALUMINIUM ELECTROLYTIC C. | M111X1 | |
| C96 | | | C90-3714-05 | ALUMINIUM ELECTROLYTIC C. | M2M3M4 | |
| C97 | | | CE04LW1V4R7M | ELECTRO 4.7UF 35WV | V2V3V4 | |
| C97 | | | C90-3715-05 | ELECTRO 4.7UF 35WV | E1E2Q1 | |
| C97 | | | C90-3715-05 | ELECTRO 4.7UF 35WV | E3Q2M5 | |
| C97 | | | C90-3715-05 | ELECTRO 4.7UF 35WV | I2I3I4 | |
| C97 | | | C90-3715-05 | ELECTRO 4.7UF 35WV | K1P1Y1 | |
| C97 | | | C90-3715-05 | ELECTRO 4.7UF 35WV | K2P2X2 | |
| C97 | | | C90-3715-05 | ELECTRO 4.7UF 35WV | M111X1 | |
| C97 | | | C90-3715-05 | ELECTRO 4.7UF 35WV | M2M3M4 | |
| C97 | | | C90-3715-05 | ELECTRO 4.7UF 35WV | M5 | |
| C97 | | | C90-3715-05 | ELECTRO 4.7UF 35WV | V2V3V4 | |
| C98 | | | CE04LW1C470M | ELECTRO 47UF 16WV | M2M3M4 | |
| C98 | | | C90-3649-05 | ELECTRO 47UF 16WV | V2V3V4 | |
| C98 | | | C90-3649-05 | ELECTRO 47UF 16WV | E1E2Q1 | |
| C98 | | | C90-3649-05 | ELECTRO 47UF 16WV | E3Q2M5 | |
| C98 | | | C90-3649-05 | ELECTRO 47UF 16WV | I2I3I4 | |
| C98 | | | C90-3649-05 | ELECTRO 47UF 16WV | K1P1Y1 | |
| C98 | | | C90-3649-05 | ELECTRO 47UF 16WV | K2P2X2 | |
| C98 | | | C90-3649-05 | ELECTRO 47UF 16WV | M111X1 | |
| C98 | | | C90-3649-05 | ELECTRO 47UF 16WV | M2M3M4 | |
| C98 | | | C90-3649-05 | ELECTRO 47UF 16WV | M5 | |
| C100 | | | CK45FF1H103Z | CERAMIC 0.010UF Z | | |
| C101 | | | CE04LW1V4R7M | ELECTRO 4.7UF 35WV | V2V3V4 | |
| C101 | | | C90-3715-05 | ELECTRO 4.7UF 35WV | E1E2Q1 | |
| C101 | | | C90-3715-05 | ELECTRO 4.7UF 35WV | E3Q2M5 | |
| C101 | | | C90-3715-05 | ELECTRO 4.7UF 35WV | I2I3I4 | |
| C101 | | | C90-3715-05 | ELECTRO 4.7UF 35WV | K1P1Y1 | |
| C101 | | | C90-3715-05 | ELECTRO 4.7UF 35WV | K2P2X2 | |
| C101 | | | C90-3715-05 | ELECTRO 4.7UF 35WV | M111X1 | |
| C101 | | | C90-3715-05 | ELECTRO 4.7UF 35WV | M2M3M4 | |
| C101 | | | C90-3715-05 | ELECTRO 4.7UF 35WV | M5 | |
| C102 | | | CE04LW1A221M | ELECTRO 220UF 10WV | V2V3V4 | |
| C102 | | | C90-3644-05 | ELECTRO 220UF 10WV | E1E2Q1 | |
| C102 | | | C90-3644-05 | ELECTRO 220UF 10WV | E3Q2M5 | |
| C102 | | | C90-3644-05 | ELECTRO 220UF 10WV | I2I3I4 | |
| C102 | | | C90-3644-05 | ELECTRO 220UF 10WV | K1P1Y1 | |
| C102 | | | C90-3644-05 | ELECTRO 220UF 10WV | K2P2X2 | |
| C102 | | | C90-3644-05 | ELECTRO 220UF 10WV | M111X1 | |
| C102 | | | C90-3644-05 | ELECTRO 220UF 10WV | M2M3M4 | |
| C103 | | | CE04LW1C220M | ELECTRO 22UF 16WV | | |
| C104 | | | CE04LW1H010M | ELECTRO 1.0UF 50WV | | |
| C106 | | | CE04LW1V4R7M | ELECTRO 4.7UF 35WV | V2V3V4 | |
| C106 | | | C90-3715-05 | ELECTRO 4.7UF 35WV | E1E2Q1 | |
| C106 | | | C90-3715-05 | ELECTRO 4.7UF 35WV | E3Q2M5 | |
| C106 | | | C90-3715-05 | ELECTRO 4.7UF 35WV | I2I3I4 | |
| C106 | | | C90-3715-05 | ELECTRO 4.7UF 35WV | K1P1Y1 | |
| C106 | | | C90-3715-05 | ELECTRO 4.7UF 35WV | K2P2X2 | |
| C106 | | | C90-3715-05 | ELECTRO 4.7UF 35WV | M111X1 | |
| C106 | | | C90-3715-05 | ELECTRO 4.7UF 35WV | M2M3M4 | |
| C108, 109 | | | CF92FV1H104J | MF-C 0.10UF J | | |
| C110 | | | CE04LW1C470M | ELECTRO 47UF 16WV | V2V3V4 | |
| C110 | | | C90-3649-05 | ELECTRO 47UF 16WV | E1E2Q1 | |
| C110 | | | C90-3649-05 | ELECTRO 47UF 16WV | E3Q2M5 | |
| C110 | | | C90-3649-05 | ELECTRO 47UF 16WV | I2I3I4 | |
| C110 | | | C90-3649-05 | ELECTRO 47UF 16WV | K1P1Y1 | |
| C110 | | | C90-3649-05 | ELECTRO 47UF 16WV | K2P2X2 | |
| C110 | | | C90-3649-05 | ELECTRO 47UF 16WV | M111X1 | |

L : Scandinavia K : USA P : Canada R : Mexico C : China I : Malaysia
Y : PX(Far East, Hawaii) T : Europe E : Europe V : China(Shanghai)
Y : AAFES(Europe) X : Australia Q : Russia H : Korea M : Other Areas Δ indicates safety critical components.

* New Parts

Parts without **Parts No.** are not supplied.

Les articles non mentionnés dans le **Parts No.** ne sont pas fournis.

Teile ohne **Parts No.** werden nicht geliefert.

27

| Ref. No | Add-ress | New Parts | Parts No. | Description | Desti-nation | Re-marks |
|-----------|----------|-----------|---------------|---------------------------|--------------|----------|
| C110 | | | C90-3649-05 | ELECTRO 47UF 16WV | M2M3M4 | |
| C111, 112 | | | CE04LW1H010M | ELECTRO 1.0UF 50WV | | |
| C113 | | | CE04LW0J471M | ELECTRO 470UF 6.3WV | V2V3V4 | |
| C113 | | | C90-3640-05 | ALUMINIUM ELECTROLYTIC C. | E1E2Q1 | |
| C113 | | | C90-3640-05 | ALUMINIUM ELECTROLYTIC C. | E3Q2M5 | |
| C113 | | | C90-3640-05 | ALUMINIUM ELECTROLYTIC C. | I2I3I4 | |
| C113 | | | C90-3640-05 | ALUMINIUM ELECTROLYTIC C. | K1P1Y1 | |
| C113 | | | C90-3640-05 | ALUMINIUM ELECTROLYTIC C. | K2P2X2 | |
| C113 | | | C90-3640-05 | ALUMINIUM ELECTROLYTIC C. | M11X1 | |
| C113 | | | C90-3640-05 | ALUMINIUM ELECTROLYTIC C. | M2M3M4 | |
| C114 | | | CC45FSL1H101J | CERAMIC 100PF J | | |
| C119, 120 | | | CE04LW1C100M | ELECTRO 10UF 16WV | | |
| C125, 126 | | | CE04LW1V4R7M | ELECTRO 4.7UF 35WV | V2V3V4 | |
| C125, 126 | | | C90-3715-05 | ELECTRO 4.7UF 35WV | E1E2Q1 | |
| C125, 126 | | | C90-3715-05 | ELECTRO 4.7UF 35WV | E3Q2M5 | |
| C125, 126 | | | C90-3715-05 | ELECTRO 4.7UF 35WV | I2I3I4 | |
| C125, 126 | | | C90-3715-05 | ELECTRO 4.7UF 35WV | K1P1Y1 | |
| C125, 126 | | | C90-3715-05 | ELECTRO 4.7UF 35WV | K2P2X2 | |
| C125, 126 | | | C90-3715-05 | ELECTRO 4.7UF 35WV | M11X1 | |
| C125, 126 | | | C90-3715-05 | ELECTRO 4.7UF 35WV | M2M3M4 | |
| C128-130 | | | CE04LW1H0R1M | ELECTRO 0.1UF 50WV | V2V3V4 | |
| C128-130 | | | C90-3717-05 | ALUMINIUM ELECTROLYTIC C. | E1E2Q1 | |
| C128-130 | | | C90-3717-05 | ALUMINIUM ELECTROLYTIC C. | E3Q2M5 | |
| C128-130 | | | C90-3717-05 | ALUMINIUM ELECTROLYTIC C. | I2I3I4 | |
| C128-130 | | | C90-3717-05 | ALUMINIUM ELECTROLYTIC C. | K1P1Y1 | |
| C128-130 | | | C90-3717-05 | ALUMINIUM ELECTROLYTIC C. | K2P2X2 | |
| C128-130 | | | C90-3717-05 | ALUMINIUM ELECTROLYTIC C. | M11X1 | |
| C128-130 | | | C90-3717-05 | ALUMINIUM ELECTROLYTIC C. | M2M3M4 | |
| C131 | | | CE04LW1C100M | ELECTRO 10UF 16WV | V2V3V4 | |
| C131 | | | C90-3658-05 | ELECTRO 10UF 16WV | E1E2Q1 | |
| C131 | | | C90-3658-05 | ELECTRO 10UF 16WV | E3Q2M5 | |
| C131 | | | C90-3658-05 | ELECTRO 10UF 16WV | I2I3I4 | |
| C131 | | | C90-3658-05 | ELECTRO 10UF 16WV | K1P1Y1 | |
| C131 | | | C90-3658-05 | ELECTRO 10UF 16WV | K2P2X2 | |
| C131 | | | C90-3658-05 | ELECTRO 10UF 16WV | M11X1 | |
| C131 | | | C90-3658-05 | ELECTRO 10UF 16WV | M2M3M4 | |
| C139, 140 | | | CE04LW1C100M | ELECTRO 10UF 16WV | | |
| C141 | | | C90-3715-05 | ELECTRO 4.7UF 35WV | E1E2Q1 | |
| C141 | | | C90-3715-05 | ELECTRO 4.7UF 35WV | Q2E3 | |
| C142 | | | CC45FSL1H331J | CERAMIC 330PF J | E1E2Q1 | |
| C142 | | | CC45FSL1H331J | CERAMIC 330PF J | Q2E3 | |
| C143 | | | CK45FB1H561K | CERAMIC 560PF K | E1E2Q1 | |
| C143 | | | CK45FB1H561K | CERAMIC 560PF K | Q2E3 | |
| C144 | | | CC45FCH1H470J | CERAMIC 47PF J | E1E2Q1 | |
| C144 | | | CC45FCH1H470J | CERAMIC 47PF J | Q2E3 | |
| C145 | | | CC45FCH1H220J | CERAMIC 22PF J | E1E2Q1 | |
| C145 | | | CC45FCH1H220J | CERAMIC 22PF J | Q2E3 | |
| C146 | | | CK45FF1H103Z | CERAMIC 0.010UF Z | E1E2Q1 | |
| C146 | | | CK45FF1H103Z | CERAMIC 0.010UF Z | Q2E3 | |
| C147 | | | C90-3714-05 | ALUMINIUM ELECTROLYTIC C. | E1E2Q1 | |
| C147 | | | C90-3714-05 | ALUMINIUM ELECTROLYTIC C. | Q2E3 | |
| C148, 149 | | | CK45FF1H103Z | CERAMIC 0.010UF Z | E1E2Q1 | |
| C148, 149 | | | CK45FF1H103Z | CERAMIC 0.010UF Z | Q2E3 | |
| C151, 152 | | | CC45FSL1H180J | CERAMIC 18PF J | | |
| C153 | | | CE04LW1C470M | ELECTRO 47UF 16WV | | |

L : Scandinavia K : USA P : Canada R : Mexico C : China I : Malaysia
 Y : PX(Far East, Hawaii) T : Europe E : Europe G : Germany V : China(Shanghai)
 Y : AAFES(Europe) X : Australia Q : Russia H : Korea M : Other Areas Δ indicates safety critical components.

* New Parts

Parts without **Parts No.** are not supplied.

Les articles non mentionnés dans le **Parts No.** ne sont pas fournis.

Teile ohne **Parts No.** werden nicht geliefert.

28

| Ref. No | Add-ress | New Parts | Parts No. | Description | Desti-nation | Re-marks |
|-----------|----------|-----------|---------------|---------------------------|--------------|----------|
| C154 | | | CE04LW1V100M | ELECTRO 10UF 35WV | | |
| C155 | | | CE04LW1V330M | ELECTRO 33UF 35WV | | |
| C159, 160 | | | CC45FSL1H220J | CERAMIC 22PF J | E1E2Q1 | |
| C159, 160 | | | CC45FSL1H220J | CERAMIC 22PF J | Q2E3 | |
| C161 | | | C91-0729-05 | CERAMIC 22PF J | | |
| C163-166 | | | C91-1567-05 | MP-C 0.1UF J | | |
| C497, 498 | | | CK45FB1H102K | CERAMIC 1000PF K | I4V3V4 | |
| C497, 498 | | | CK45FB1H102K | CERAMIC 1000PF K | M3M4I3 | |
| C500 | | | CK45FF1H103Z | CERAMIC 0.010UF Z | | |
| C501, 502 | | | CE04LW1H2R2M | ELECTRO 2.2UF 50WV | M4I4V4 | |
| C501, 502 | | | CQ93FMG1H563J | MYLAR 0.056UF J | M3I3V3 | |
| C503, 504 | | | CC45FSL1H470J | CERAMIC 47PF J | I4V3V4 | |
| C503, 504 | | | CC45FSL1H470J | CERAMIC 47PF J | M3M4I3 | |
| C505 | | | CE04LW1H2R2M | ELECTRO 2.2UF 50WV | M3I3V3 | |
| C506 | | | CE04LW1V220M | ELECTRO 22UF 35WV | M4I4V4 | |
| C507 | | | CC45FSL1H470J | CERAMIC 47PF J | M3I3V3 | |
| C509, 510 | | | CC45FSL1H100D | CERAMIC 10PF D | M3I3V3 | |
| C509, 510 | | | CC45FSL1H100D | CERAMIC 10PF D | M4I4V4 | |
| C511 | | | CC45FSL1H100D | CERAMIC 10PF D | M3I3V3 | |
| C513, 514 | | | CK45FF1H472Z | CERAMIC 4700PF Z | M3I3V3 | |
| C513, 514 | | | CK45FF1H472Z | CERAMIC 4700PF Z | M4I4V4 | |
| C515 | | | CF92FV1H104J | MF-C 0.10UF J | I4V3V4 | |
| C517, 518 | | | CF92FV1H104J | MF-C 0.10UF J | M3M4I3 | |
| C523 | | | CF92FV1H104J | MF-C 0.10UF J | M3I3V3 | |
| C525, 526 | | | CK45FF1H472Z | CERAMIC 4700PF Z | M3I3V3 | |
| C525, 526 | | | CK45FF1H472Z | CERAMIC 4700PF Z | M4I4V4 | |
| C527, 528 | | | CK45FF1H472Z | CERAMIC 4700PF Z | M3I3V3 | |
| C531, 532 | | | CE04LW1A101M | ELECTRO 100UF 10WV | M3I3V3 | |
| C531, 532 | | | CE04LW1A101M | ELECTRO 100UF 10WV | M4I4V4 | |
| C533 | | | CE04LW1A101M | ELECTRO 100UF 10WV | M3I3V3 | |
| C535-538 | | | CE04LW1J100M | ELECTRO 10UF 63WV | M4I4V4 | |
| C535-538 | | | C90-3707-05 | ALUMINIUM ELECTROLYTIC C. | M3I3V3 | |
| C539, 540 | | | CE04LW1V470M | ELECTRO 47UF 35WV | M3I3V3 | |
| CN5 | | | E40-3258-05 | PIN ASSY | | |
| CN6 | | | E40-3262-05 | PIN ASSY | I4V3V4 | |
| CN6 | | | E40-3262-05 | PIN ASSY | M3M4I3 | |
| CN7 | | | E40-3247-05 | PIN ASSY | | |
| CN8 | | | E40-3248-05 | PIN ASSY | I2I3I4 | |
| CN8 | | | E40-3248-05 | PIN ASSY | M2M3M4 | |
| CN8 | | | E40-3248-05 | PIN ASSY | V2V3V4 | |
| CN10 | | | E40-3262-05 | PIN ASSY | I2I3I4 | |
| CN10 | | | E40-3262-05 | PIN ASSY | M2M3M4 | |
| CN10 | | | E40-3262-05 | PIN ASSY | V2V3V4 | |
| CN11 | | | E40-8053-05 | PIN ASSY | | |
| CN12 | | | E40-8286-05 | FLAT CABLE CONNECTOR | I2I3I4 | |
| CN12 | | | E40-8286-05 | FLAT CABLE CONNECTOR | M11X1 | |
| CN12 | | | E40-8286-05 | FLAT CABLE CONNECTOR | M2M3M4 | |
| CN12 | | | E40-8286-05 | FLAT CABLE CONNECTOR | V2V3V4 | |
| CN12 | | | E40-8286-05 | FLAT CABLE CONNECTOR | Y1M5 | |
| CN12 | | | E40-3256-05 | PIN ASSY | | |
| CN13 | | | E40-8253-05 | FLAT CABLE CONNECTOR | | |
| CN14 | | | E40-3251-05 | PIN ASSY | | |
| CN15 | | | E40-8120-05 | FLAT CABLE CONNECTOR | | |
| CN19 | | | E40-8120-05 | FLAT CABLE CONNECTOR | | |

L : Scandinavia K : USA P : Canada R : Mexico C : China I : Malaysia
 Y : PX(Far East, Hawaii) T : Europe E : Europe G : Germany V : China(Shanghai)
 Y : AAFES(Europe) X : Australia Q : Russia H : Korea M : Other Areas Δ indicates safety critical components.

PARTS LIST

RXD-951/A700/A900/V616/V818/V919

* New Parts
Parts without **Parts No.** are not supplied.
Les articles non mentionnés dans le **Parts No.** ne sont pas fournis.
Teile ohne **Parts No.** werden nicht geliefert.

29

| Ref. No | Add-ress | New Parts | Parts No. | Description | Desti-nation | Re-marks |
|---------|----------|-----------|-------------|-----------------------------|--------------|----------|
| CN20 | | | E40-4724-05 | FLAT CABLE CONNECTOR | I2I3I4 | |
| CN20 | | | E40-4724-05 | FLAT CABLE CONNECTOR | M2M3M4 | |
| CN20 | | | E40-4724-05 | FLAT CABLE CONNECTOR | V2V3V4 | |
| △ CN21 | | | E40-8257-05 | FLAT CABLE CONNECTOR | | |
| △ CN22 | | | E40-4632-05 | PIN ASSY | | |
| CN24 | | | E40-3256-05 | PIN ASSY | I4V3V4 | |
| CN24 | | | E40-3256-05 | PIN ASSY | M3M4I3 | |
| J1 | | | E63-1038-05 | PHONO JACK(2P) | E3 | |
| J1 | | | E63-1038-05 | PHONO JACK(2P) | K1P1K2 | |
| J1 | | | E63-1038-05 | PHONO JACK(2P) | P2X2Q2 | |
| J2 | | | E70-0048-05 | LOCK TERMINAL BOARD(8P) | M3I3V3 | |
| J2 | | | E70-0057-05 | LOCK TERMINAL BOARD(4P) | M4I4 | |
| J2 | | * | E70-0093-05 | LOCK TERMINAL BOARD(8P) | V3 | |
| J2 | | | E70-0094-05 | LOCK TERMINAL BOARD(4P) | V4 | |
| J3 | | | E70-0045-05 | LOCK TERMINAL BOARD(4P) | I4 | |
| J3 | | | E70-0045-05 | LOCK TERMINAL BOARD(4P) | M3M4I3 | |
| J3 | | | E70-0101-05 | LOCK TERMINAL BOARD(4P) | V3V4 | |
| J4 | | | E63-0116-05 | PHONO JACK(1P) | M4I4 | |
| J4 | | * | E63-1016-05 | PHONO JACK(1P) | V4 | |
| J5 | | | E63-1037-05 | PHONO JACK(4P) | I4M5 | |
| J5 | | | E63-1037-05 | PHONO JACK(4P) | M4I2I3 | |
| J5 | | | E63-1037-05 | PHONO JACK(4P) | Q1M2M3 | |
| J5 | | | E63-1037-05 | PHONO JACK(4P) | X1E1E2 | |
| J5 | | | E63-1037-05 | PHONO JACK(4P) | Y1M1I1 | |
| - | | | F20-1405-15 | INSULATING SHEET | I4V3V4 | |
| - | | | F20-1405-15 | INSULATING SHEET | M3M4I3 | |
| △ F1 | | | F05-3121-05 | FUSE (SEMKO) (250V T3.15AL) | Q2E3 | |
| △ F1 | | | F05-3121-05 | FUSE (SEMKO) (250V T3.15AL) | X2M3I3 | |
| △ F1 | | | F05-3121-05 | FUSE (SEMKO) (250V T3.15AL) | Y1M1I1 | |
| △ F1 | | | F05-4025-05 | FUSE (SEMKO) (250V T4 L) | M5 | |
| △ F1 | | | F05-4025-05 | FUSE (SEMKO) (250V T4 L) | Q1M2I2 | |
| △ F1 | | | F05-4025-05 | FUSE (SEMKO) (250V T4 L) | X1E1E2 | |
| △ F1 | | | F06-2021-05 | FUSE (SEMKO) (250V T2AL) | M4I4 | |
| △ F1 | | | F50-0077-05 | FUSE(5X20) | K2P2 | |
| △ F1 | | | F50-0078-05 | FUSE(5X20) | K1P1 | |
| △ F1 | | | F50-0079-05 | FUSE(5X20) | V4 | |
| △ F1 | | | F50-0111-05 | FUSE(5X20) | V3 | |
| △ F1 | | | F50-0112-05 | FUSE(5X20) | V2 | |
| △ F2 | | | F05-3121-05 | FUSE (SEMKO) (250V T3.15AL) | M3I3 | |
| △ F2 | | | F05-4025-05 | FUSE (SEMKO) (250V T4 L) | M2I2 | |
| △ F2 | | | F05-4025-05 | FUSE (SEMKO) (250V T4 L) | Y1M1I1 | |
| △ F2 | | | F06-2021-05 | FUSE (SEMKO) (250V T2AL) | M4I4 | |
| △ F3 | | | F50-0062-05 | FUSE(5X20) | K1P1K2 | |
| △ F3 | | | F50-0062-05 | FUSE(5X20) | P2 | |
| - | | | J61-0307-05 | WIRE BAND | E1E2Q1 | |
| - | | | J61-0307-05 | WIRE BAND | E3Q2 | |
| - | | | J61-0307-05 | WIRE BAND | K1P1Y1 | |
| - | | | J61-0307-05 | WIRE BAND | K2P2X2 | |
| - | | | J61-0307-05 | WIRE BAND | M1I1X1 | |
| - | | | J61-0307-05 | WIRE BAND | M2I2M5 | |
| CN1, 2 | | | J13-0075-05 | FUSE CLIP | I2I3I4 | |
| CN3, 4 | | | J13-0075-05 | FUSE CLIP | M2M3M4 | |
| CN3, 4 | | | J13-0075-05 | FUSE CLIP | M5 | |

L : Scandinavia K : USA P : Canada R : Mexico C : China I : Malaysia
Y : PX(Far East, Hawaii) T : Europe E : Europe G : Germany V : China(Shanghai)
Y : AAFES(Europe) X : Australia Q : Russia H : Korea M : Other Areas △ indicates safety critical components.

* New Parts
Parts without **Parts No.** are not supplied.
Les articles non mentionnés dans le **Parts No.** ne sont pas fournis.
Teile ohne **Parts No.** werden nicht geliefert.

30

| Ref. No | Add-ress | New Parts | Parts No. | Description | Desti-nation | Re-marks |
|-------------|----------|-----------|--------------|------------------------------|--------------|----------|
| CN3, 4 | | | J13-0075-05 | FUSE CLIP | Y1M1I1 | |
| CN31, 32 | | | J13-0075-05 | FUSE CLIP | K1P1K2 | |
| CN31, 32 | | | J13-0075-05 | FUSE CLIP | P2 | |
| E21-23 | | | J11-0809-05 | WIRE CLAMPER | | |
| E25 | | | J11-0809-05 | WIRE CLAMPER | M4I4V4 | |
| E26 | | | J11-0809-05 | WIRE CLAMPER | | |
| E27 | | | J11-0809-05 | WIRE CLAMPER | I4V3V4 | |
| E27 | | | J11-0809-05 | WIRE CLAMPER | M3M4I3 | |
| E30 | | | J11-0809-05 | WIRE CLAMPER | | |
| E32 | | | J11-0809-05 | WIRE CLAMPER | E1E2Q1 | |
| E32 | | | J11-0809-05 | WIRE CLAMPER | K1P1Y1 | |
| E32 | | | J11-0809-05 | WIRE CLAMPER | K2P2X2 | |
| E32 | | | J11-0809-05 | WIRE CLAMPER | M1I1X1 | |
| E32 | | | J11-0809-05 | WIRE CLAMPER | M2I2V2 | |
| L1 | | | L40-1091-17 | SMALL FIXED INDUCTOR(1UH) | E1E2Q1 | |
| L1 | | | L40-1091-17 | SMALL FIXED INDUCTOR(1UH) | Q2E3 | |
| L2 | | | L40-1001-17 | SMALL FIXED INDUCTOR(10UH,K) | E1E2Q1 | |
| L2 | | | L40-1001-17 | SMALL FIXED INDUCTOR(10UH,K) | Q2E3 | |
| L3, 4 | | | L39-1373-05 | PHASE COMPENSATION COIL | M3I3V3 | |
| L3, 4 | | | L39-1373-05 | PHASE COMPENSATION COIL | M4I4V4 | |
| L5 | | | L39-1373-05 | PHASE COMPENSATION COIL | M3I3V3 | |
| X1 | | | L78-0605-05 | RESONATOR (8.38MHZ) | | |
| X2 | | | L77-2173-05 | CRYSTAL RESONATOR(32.768KHZ) | | |
| X3 | | | L77-2002-05 | CRYSTAL RESONATOR(4.332MHZ) | E1E2Q1 | |
| X3 | | | L77-2002-05 | CRYSTAL RESONATOR(4.332MHZ) | Q2E3 | |
| △ R3 | | | RD14NB2E680J | RD 68 J 1/4W | | |
| △ R45 | | | RD14NB2E1R0J | RD 1 J 1/4W | | |
| △ R46 | | | RD14NB2E472J | RD 4.7K J 1/4W | | |
| △ R48 | | | RD14NB2E8R2J | RD 8.2 J 1/4W | | |
| R56 | | | RD14NB2E332J | RD 3.3K J 1/4W | | |
| R63 | | | RD14NB2E102J | RD 1.0K J 1/4W | I4V3V4 | |
| R63 | | | RD14NB2E102J | RD 1.0K J 1/4W | M3M4I3 | |
| △ R75 | | | RD14NB2E100J | RD 10 J 1/4W | | |
| R80 | | | RS14KB3A222J | FL-PROOF RS 2.2K J 1W | | |
| R96 | | | RS14KB3D332J | FL-PROOF RS 3.3K J 2W | | |
| R112 | | | RD14NB2E390J | RD 39 J 1/4W | | |
| R113 | | | RS14KB3D5R6J | FL-PROOF RS 5.6 J 2W | I2I3I4 | |
| R113 | | | RS14KB3D5R6J | FL-PROOF RS 5.6 J 2W | M2M3M4 | |
| R113 | | | RS14KB3D5R6J | FL-PROOF RS 5.6 J 2W | V2V3V4 | |
| △ R118, 119 | | | RD14NB2E1R0J | RD 1 J 1/4W | | |
| △ R129, 130 | | | RD14NB2E1R0J | RD 1 J 1/4W | | |
| △ R131 | | | RD14BB2C100J | RD 10 J 1/6W | | |
| △ R142 | | | RD14BB2C101J | RD 100 J 1/6W | | |
| △ R187, 188 | | | RS14KB3D3R3J | FL-PROOF RS 3.3 J 2W | I4V3V4 | |
| △ R187, 188 | | | RS14KB3D3R3J | FL-PROOF RS 3.3 J 2W | M3M4I3 | |
| R531, 532 | | | R92-1866-05 | METAL FILM 0.1 2W | I4V3V4 | |
| R531, 532 | | | R92-1866-05 | METAL FILM 0.1 2W | M3M4I3 | |
| R543, 544 | | | RS14KB3D4R7J | FL-PROOF RS 4.7 J 2W | I4V3V4 | |
| R543, 544 | | | RS14KB3D4R7J | FL-PROOF RS 4.7 J 2W | M3M4I3 | |
| R551 | | | R92-1866-05 | METAL FILM 0.1 2W | M3I3V3 | |
| △ R560 | | | RS14KB3A100J | FL-PROOF RS 10 J 1W | | |
| R563 | | | RS14KB3D4R7J | FL-PROOF RS 4.7 J 2W | M3I3V3 | |
| △ R565 | | | RD14NB2E221J | RD 220 J 1/4W | M3I3V3 | |
| △ R566 | | | RD14NB2E101J | RD 100 J 1/4W | M4I4V4 | |

L : Scandinavia K : USA P : Canada R : Mexico C : China I : Malaysia
Y : PX(Far East, Hawaii) T : Europe E : Europe G : Germany V : China(Shanghai)
Y : AAFES(Europe) X : Australia Q : Russia H : Korea M : Other Areas △ indicates safety critical components.

* New Parts

Parts without **Parts No.** are not supplied.
Les articles non mentionnés dans le **Parts No.** ne sont pas fournis.
Teile ohne **Parts No.** werden nicht geliefert.

31

| Ref. No | Add-ress | New Parts | Parts No. | Description | Desti-nation | Re-marks |
|-----------|----------|-----------|--------------|----------------------|--------------|----------|
| △ R566 | | | RD14NB2E221J | RD 220 J 1/4W | M3I3V3 | |
| △ R578 | | | RS14KB3D101J | FL-PROOF RS 100 J 2W | M3I3V3 | |
| △ R578 | | | RS14KB3D470J | FL-PROOF RS 47 J 2W | M4I4V4 | |
| R583, 584 | | | RD14NB2E4R7J | RD 4.7 J 1/4W | M3I3V3 | |
| R583, 584 | | | RD14NB2E4R7J | RD 4.7 J 1/4W | M4I4V4 | |
| R585 | | | RD14NB2E4R7J | RD 4.7 J 1/4W | M3I3V3 | |
| R598 | | | RS14KB3D101J | FL-PROOF RS 100 J 2W | M3I3V3 | |
| △ R598 | | | RS14KB3D470J | FL-PROOF RS 47 J 2W | M4I4V4 | |
| △ R599 | | | R92-1844-05 | CARBON 3.3M J 1/2W | K1P1K2 | |
| △ R599 | | | R92-1844-05 | CARBON 3.3M J 1/2W | P2 | |
| VR1 | | | R31-0096-05 | VARIABLE RESISTOR | | |
| △ K1, 2 | | | S76-0060-05 | MAGNETIC RELAY | | |
| △ K1, 2 | | | S76-0069-15 | MAGNETIC RELAY | | |
| K11 | | | S76-0076-05 | MAGNETIC RELAY | I4V3V4 | |
| K11 | | | S76-0076-05 | MAGNETIC RELAY | M3M4I3 | |
| K12 | | | S76-0078-05 | MAGNETIC RELAY | M3I3V3 | |
| K13 | | | S76-0076-05 | MAGNETIC RELAY | I4V3V4 | |
| K13 | | | S76-0076-05 | MAGNETIC RELAY | M3M4I3 | |
| △ S1 | | | S62-0001-05 | SLIDE SWITCH | I2I3I4 | |
| △ S1 | | | S62-0001-05 | SLIDE SWITCH | M2M3M4 | |
| △ S1 | | | S62-0001-05 | SLIDE SWITCH | Y1M1I1 | |
| S2 | | | S62-0055-05 | SLIDE SWITCH | I4V3V4 | |
| S2 | | | S62-0055-05 | SLIDE SWITCH | M3M4I3 | |
| D1 | | | HZS5.1N(B2) | ZENER DIODE | | |
| D1 | | | MTZJ5.1(B) | ZENER DIODE | | |
| D2 | | | HSS104A | DIODE | | |
| D2 | | | 1SS133 | DIODE | | |
| D3 | | | HZS5.1N(B2) | ZENER DIODE | | |
| D3 | | | MTZJ5.1(B) | ZENER DIODE | | |
| D4 | | | HZS3.9N(B2) | ZENER DIODE | | |
| D4 | | | MTZJ3.9(B) | ZENER DIODE | | |
| D5-7 | | | HSS104A | DIODE | | |
| D5-7 | | | 1SS133 | DIODE | | |
| D9 | | | HZS5.6N(B2) | ZENER DIODE | I2I3I4 | |
| D9 | | | HZS5.6N(B2) | ZENER DIODE | M2M3M4 | |
| D9 | | | HZS5.6N(B2) | ZENER DIODE | V2V3V4 | |
| D9 | | | MTZJ5.6(B) | ZENER DIODE | I2I3I4 | |
| D9 | | | MTZJ5.6(B) | ZENER DIODE | M2M3M4 | |
| D9 | | | MTZJ5.6(B) | ZENER DIODE | V2V3V4 | |
| D10 | | | HSS104A | DIODE | E1E2Q1 | |
| D10 | | | HSS104A | DIODE | E3Q2 | |
| D10 | | | 1SS133 | DIODE | E1E2Q1 | |
| D10 | | | 1SS133 | DIODE | E3Q2 | |
| D11 | | | HSS104A | DIODE | M4I4V4 | |
| D11 | | | 1SS133 | DIODE | M4I4V4 | |
| D12 | | | HSS104A | DIODE | I2I3I4 | |
| D12 | | | HSS104A | DIODE | M2M3M4 | |
| D12 | | | HSS104A | DIODE | V2V3V4 | |
| D12 | | | HSS104A | DIODE | X1Q1 | |
| D12 | | | HSS104A | DIODE | X2Q2M5 | |
| D12 | | | HSS104A | DIODE | Y1M1I1 | |
| D12 | | | 1SS133 | DIODE | I2I3I4 | |
| D12 | | | 1SS133 | DIODE | M2M3M4 | |

L : Scandinavia K : USA P : Canada R : Mexico C : China I : Malaysia
Y : PX(Far East, Hawaii) T : Europe E : Europe G : Germany V : China(Shanghai)
Y : AAFES(Europe) X : Australia Q : Russia H : Korea M : Other Areas △ indicates safety critical components.

* New Parts

Parts without **Parts No.** are not supplied.
Les articles non mentionnés dans le **Parts No.** ne sont pas fournis.
Teile ohne **Parts No.** werden nicht geliefert.

32

| Ref. No | Add-ress | New Parts | Parts No. | Description | Desti-nation | Re-marks |
|---------|----------|-----------|-------------|-------------|--------------|----------|
| D12 | | | 1SS133 | DIODE | V2V3V4 | |
| D12 | | | 1SS133 | DIODE | X1Q1 | |
| D12 | | | 1SS133 | DIODE | X2Q2M5 | |
| D12 | | | 1SS133 | DIODE | Y1M1I1 | |
| D13 | | | HSS104A | DIODE | M2I2V2 | |
| D13 | | | 1SS133 | DIODE | M2I2V2 | |
| D14 | | | HSS104A | DIODE | E1E2Q1 | |
| D14 | | | HSS104A | DIODE | E3Q2 | |
| D14 | | | HSS104A | DIODE | I2I3I4 | |
| D14 | | | HSS104A | DIODE | M2M3M4 | |
| D14 | | | HSS104A | DIODE | V2V3V4 | |
| D14 | | | HSS104A | DIODE | X1X2M5 | |
| D14 | | | HSS104A | DIODE | Y1M1I1 | |
| D14 | | | 1SS133 | DIODE | E1E2Q1 | |
| D14 | | | 1SS133 | DIODE | E3Q2 | |
| D14 | | | 1SS133 | DIODE | I2I3I4 | |
| D14 | | | 1SS133 | DIODE | M2M3M4 | |
| D14 | | | 1SS133 | DIODE | V2V3V4 | |
| D14 | | | 1SS133 | DIODE | X1X2M5 | |
| D14 | | | 1SS133 | DIODE | Y1M1I1 | |
| D15 | | | HSS104A | DIODE | E1E2Q1 | |
| D15 | | | HSS104A | DIODE | K1P1Y1 | |
| D15 | | | HSS104A | DIODE | M1I1X1 | |
| D15 | | | HSS104A | DIODE | M3I3V3 | |
| D15 | | | HSS104A | DIODE | M5 | |
| D15 | | | 1SS133 | DIODE | E1E2Q1 | |
| D15 | | | 1SS133 | DIODE | K1P1Y1 | |
| D15 | | | 1SS133 | DIODE | M1I1X1 | |
| D15 | | | 1SS133 | DIODE | M3I3V3 | |
| D15 | | | 1SS133 | DIODE | M5 | |
| D16 | | | HSS104A | DIODE | E1E2Q1 | |
| D16 | | | 1SS133 | DIODE | E1E2Q1 | |
| D17, 18 | | | S5688B | DIODE | | |
| D17, 18 | | | 1SR139-400 | DIODE | | |
| D17, 18 | | | 1T2 | DIODE | E1E2Q1 | |
| D17, 18 | | | 1T2 | DIODE | E3Q2M5 | |
| D17, 18 | | | 1T2 | DIODE | I2I3I4 | |
| D17, 18 | | | 1T2 | DIODE | K1P1Y1 | |
| D17, 18 | | | 1T2 | DIODE | K2P2X2 | |
| D17, 18 | | | 1T2 | DIODE | M1I1X1 | |
| D17, 18 | | | 1T2 | DIODE | M2M3M4 | |
| D19 | | | HZS16N(B2) | ZENER DIODE | | |
| D19 | | | MTZJ16(B) | ZENER DIODE | | |
| D20 | | | HZS18N(B2) | ZENER DIODE | | |
| D20 | | | MTZJ18(B) | ZENER DIODE | | |
| D21 | | | HSS104A | DIODE | | |
| D21 | | | 1SS133 | DIODE | | |
| △ D22 | | | D4SBL20UF03 | DIODE | | |
| △ D23 | | | D4SBL20UF03 | DIODE | I4V3V4 | |
| △ D23 | | | D4SBL20UF03 | DIODE | M3M4I3 | |
| △ D23 | | | RBV-602LFA | DIODE | E1E2Q1 | |
| △ D23 | | | RBV-602LFA | DIODE | K1P1Y1 | |
| △ D23 | | | RBV-602LFA | DIODE | K2P2X2 | |
| △ D23 | | | RBV-602LFA | DIODE | M1I1X1 | |
| △ D23 | | | RBV-602LFA | DIODE | M2I2V2 | |

L : Scandinavia K : USA P : Canada R : Mexico C : China I : Malaysia
Y : PX(Far East, Hawaii) T : Europe E : Europe G : Germany V : China(Shanghai)
Y : AAFES(Europe) X : Australia Q : Russia H : Korea M : Other Areas △ indicates safety critical components.

PARTS LIST

RXD-951/A700/A900/V616/V818/V919

* New Parts

Parts without **Parts No.** are not supplied.Les articles non mentionnés dans le **Parts No.** ne sont pas fournis.Teile ohne **Parts No.** werden nicht geliefert.

33

| Ref. No | Address | New Parts | Parts No. | Description | Destination | Remarks |
|-------------|---------|-----------|-------------|-------------|-------------|---------|
| Δ D23 | | | RBV-602LFA | DIODE | Q2E3M5 | |
| Δ D24-27 | | | S5688B | DIODE | | |
| Δ D24-27 | | | 1SR139-400 | DIODE | | |
| Δ D24-27 | | | 1T2 | DIODE | E1E2Q1 | |
| Δ D24-27 | | | 1T2 | DIODE | E3Q2M5 | |
| Δ D24-27 | | | 1T2 | DIODE | I2I3I4 | |
| Δ D24-27 | | | 1T2 | DIODE | K1P1Y1 | |
| Δ D24-27 | | | 1T2 | DIODE | K2P2X2 | |
| Δ D24-27 | | | 1T2 | DIODE | M111X1 | |
| Δ D24-27 | | | 1T2 | DIODE | M2M3M4 | |
| Δ D28, 29 | | | HSS104A | DIODE | | |
| Δ D28, 29 | | | 1S5133 | DIODE | | |
| Δ D30 | | | HZS2.7N(B2) | ZENER DIODE | | |
| Δ D30 | | | MTZJ2.7(B) | ZENER DIODE | | |
| Δ D31 | | | HZS6.2N(B2) | ZENER DIODE | | |
| Δ D31 | | | MTZJ6.2(B) | ZENER DIODE | | |
| Δ D32 | | | HSS104A | DIODE | | |
| Δ D32 | | | 1S5133 | DIODE | | |
| Δ D33 | | | HZS5.6N(B2) | ZENER DIODE | | |
| Δ D33 | | | MTZJ5.6(B) | ZENER DIODE | | |
| Δ D34 | | | HZS5.1N(B2) | ZENER DIODE | | |
| Δ D34 | | | MTZJ5.1(B) | ZENER DIODE | | |
| Δ D35 | | | HZS5.6N(B2) | ZENER DIODE | | |
| Δ D35 | | | MTZJ5.6(B) | ZENER DIODE | | |
| Δ D36 | | | HZS20N(B2) | ZENER DIODE | | |
| Δ D36 | | | MTZJ20(B) | ZENER DIODE | | |
| Δ D37-40 | | | HSS104A | DIODE | | |
| Δ D37-40 | | | 1S5133 | DIODE | | |
| Δ D41-44 | | | S5688B | DIODE | I2I3I4 | |
| Δ D41-44 | | | S5688B | DIODE | M2M3M4 | |
| Δ D41-44 | | | S5688B | DIODE | V2V3V4 | |
| Δ D41-44 | | | 1SR139-400 | DIODE | I2I3I4 | |
| Δ D41-44 | | | 1SR139-400 | DIODE | M2M3M4 | |
| Δ D41-44 | | | 1SR139-400 | DIODE | V2V3V4 | |
| Δ D41-44 | | | 1T2 | DIODE | I2I3I4 | |
| Δ D41-44 | | | 1T2 | DIODE | M2M3M4 | |
| Δ D45-49 | | | HSS104A | DIODE | | |
| Δ D45-49 | | | 1S5133 | DIODE | | |
| Δ D50 | | | HSS104A | DIODE | E3Q2 | |
| Δ D50 | | | HSS104A | DIODE | K2P2X2 | |
| Δ D50 | | | 1S5133 | DIODE | E3Q2 | |
| Δ D50 | | | 1S5133 | DIODE | K2P2X2 | |
| Δ D101 | | | HSS104A | DIODE | M3I3V3 | |
| Δ D101 | | | 1S5133 | DIODE | M3I3V3 | |
| Δ D509, 510 | | | HZS8.2N(B2) | ZENER DIODE | M3I3V3 | |
| Δ D509, 510 | | | MTZJ8.2(B) | ZENER DIODE | M3I3V3 | |
| Δ D511 | | | HSS104A | DIODE | I4V3V4 | |
| Δ D511 | | | HSS104A | DIODE | M3M4I3 | |
| Δ D511 | | | 1S5133 | DIODE | I4V3V4 | |
| Δ D511 | | | 1S5133 | DIODE | M3M4I3 | |
| Δ D513 | | | HSS104A | DIODE | I4V3V4 | |
| Δ D513 | | | HSS104A | DIODE | M3M4I3 | |
| Δ D513 | | | 1S5133 | DIODE | I4V3V4 | |
| Δ D513 | | | 1S5133 | DIODE | M3M4I3 | |
| Δ D515, 516 | | | HSS104A | DIODE | M3I3V3 | |

L : Scandinavia K : USA P : Canada R : Mexico C : China I : Malaysia
 Y : PX(Far East, Hawaii) T : Europe E : Europe G : Germany V : China(Shanghai)
 Y : AAFES(Europe) X : Australia Q : Russia H : Korea M : Other Areas Δ indicates safety critical components.

* New Parts

Parts without **Parts No.** are not supplied.Les articles non mentionnés dans le **Parts No.** ne sont pas fournis.Teile ohne **Parts No.** werden nicht geliefert.

34

| Ref. No | Address | New Parts | Parts No. | Description | Destination | Remarks |
|-----------|---------|-----------|----------------|---------------|-------------|---------|
| D515, 516 | | | HSS104A | DIODE | M4I4V4 | |
| D515, 516 | | | 1S5133 | DIODE | M3I3V3 | |
| D515, 516 | | | 1S5133 | DIODE | M4I4V4 | |
| D517 | | | HSS104A | DIODE | M3I3V3 | |
| D517 | | | 1S5133 | DIODE | M3I3V3 | |
| IC1 | | | NJU7313AL | ANALOGUE IC | | |
| IC2, 3 | | | NJM4565D-D | IC(OP AMP X2) | | |
| IC4 | | | M62430FP | ANALOGUE IC | | |
| IC5 | | | S-806D-Z | ANALOGUE IC | | |
| IC9 | | | BA3834SK | ANALOGUE IC | | |
| IC10 | | | M38199MF-080FP | MI-COM IC | K2P2X2 | |
| IC10 | | | M38199MF-083FP | MI-COM IC | E1E2Q1 | |
| IC10 | | | M38199MF-083FP | MI-COM IC | K1P1Y1 | |
| IC10 | | | M38199MF-083FP | MI-COM IC | M111X1 | |
| IC10 | | | M38199MF-083FP | MI-COM IC | Q2E3M5 | |
| IC10 | | * | M38199MF-084FP | MI-COM IC | I2I3I4 | |
| IC10 | | * | M38199MF-084FP | MI-COM IC | M2M3M4 | |
| IC10 | | * | M38199MF-084FP | MI-COM IC | V2V3V4 | |
| IC11 | | | SAA6579 | ANALOGUE IC | E1E2Q1 | |
| IC11 | | | SAA6579 | ANALOGUE IC | Q2E3 | |
| IC11 | | | SAA6579/R | ANALOGUE IC | E1E2Q1 | |
| IC11 | | | SAA6579/R | ANALOGUE IC | Q2E3 | |
| Δ IC12 | | | TA79012SB | ANALOGUE IC | | |
| Δ IC13 | | | TA7809SB | ANALOGUE IC | | |
| Δ IC15 | | | TA78L012AP | ANALOGUE IC | | |
| IC16, 17 | | | NJM4565D-D | IC(OP AMP X2) | E1E2Q1 | |
| IC16, 17 | | | NJM4565D-D | IC(OP AMP X2) | I3V2V3 | |
| IC16, 17 | | | NJM4565D-D | IC(OP AMP X2) | K1P1Y1 | |
| IC16, 17 | | | NJM4565D-D | IC(OP AMP X2) | M111X1 | |
| IC16, 17 | | | NJM4565D-D | IC(OP AMP X2) | M2M3I2 | |
| IC16, 17 | | | NJM4565D-D | IC(OP AMP X2) | M5 | |
| IC19 | | | NJM4565D-D | IC(OP AMP X2) | | |
| Δ IC21 | | | STK407-710K | HYBRID IC | M4I4V4 | |
| Δ IC21 | | | STK410-030D | HYBRID IC | M3I3V3 | |
| Δ IC21 | | | STK410-030K | HYBRID IC | M3I3V3 | |
| Δ Q1 | | | 2SB1624 | TRANSISTOR | M4I4V4 | |
| Q2 | | | KTA1267(Y,GR) | TRANSISTOR | E1E2Q1 | |
| Q2 | | | KTA1267(Y,GR) | TRANSISTOR | E3Q2M5 | |
| Q2 | | | KTA1267(Y,GR) | TRANSISTOR | I2I3I4 | |
| Q2 | | | KTA1267(Y,GR) | TRANSISTOR | K1P1Y1 | |
| Q2 | | | KTA1267(Y,GR) | TRANSISTOR | K2P2X2 | |
| Q2 | | | KTA1267(Y,GR) | TRANSISTOR | M111X1 | |
| Q2 | | | KTA1267(Y,GR) | TRANSISTOR | M2M3M4 | |
| Q2 | | | 2SA1175(F,E) | TRANSISTOR | | |
| Q2 | | | 2SA933AS(Q,R) | TRANSISTOR | V2V3V4 | |
| Q3 | | | 2SD2061 | TRANSISTOR | I2I3I4 | |
| Q3 | | | 2SD2061 | TRANSISTOR | M2M3M4 | |
| Q3 | | | 2SD2061 | TRANSISTOR | V2V3V4 | |
| Q4 | | | KTC3199(Y,GR) | TRANSISTOR | I2I3I4 | |
| Q4 | | | KTC3199(Y,GR) | TRANSISTOR | M2M3M4 | |
| Q4 | | | KTC3199(Y,GR) | TRANSISTOR | V2V3V4 | |
| Q4 | | | 2SC2785(F,E) | TRANSISTOR | I2I3I4 | |
| Q4 | | | 2SC2785(F,E) | TRANSISTOR | M2M3M4 | |
| Q4 | | | 2SC2785(F,E) | TRANSISTOR | V2V3V4 | |
| Q5 | | | 2SA992(F,E) | TRANSISTOR | | |

L : Scandinavia K : USA P : Canada R : Mexico C : China I : Malaysia
 Y : PX(Far East, Hawaii) T : Europe E : Europe G : Germany V : China(Shanghai)
 Y : AAFES(Europe) X : Australia Q : Russia H : Korea M : Other Areas Δ indicates safety critical components.

PARTS LIST

RXD-951/A700/A900/M616/M818/M919

* New Parts

Parts without **Parts No.** are not supplied.
Les articles non mentionnés dans le **Parts No.** ne sont pas fournis.
Teile ohne **Parts No.** werden nicht geliefert.

35

| Ref. No | Add-ress | New Parts | Parts No. | Description | Desti-nation | Re-marks |
|----------|----------|-----------|----------------|-------------|--------------|----------|
| Q6, 7 | | | 2SC1845(F,E) | TRANSISTOR | E3Q2M5 | |
| Q8, 9 | | | KTA1267(Y,GR) | TRANSISTOR | E1E2Q1 | |
| Q8, 9 | | | KTA1267(Y,GR) | TRANSISTOR | I2I3I4 | |
| Q8, 9 | | | KTA1267(Y,GR) | TRANSISTOR | K1P1Y1 | |
| Q8, 9 | | | KTA1267(Y,GR) | TRANSISTOR | K2P2X2 | |
| Q8, 9 | | | KTA1267(Y,GR) | TRANSISTOR | M1I1X1 | |
| Q8, 9 | | | KTA1267(Y,GR) | TRANSISTOR | M2M3M4 | |
| Q8, 9 | | | 2SA1175(F,E) | TRANSISTOR | | |
| Q8, 9 | | | 2SA933A(S,Q,R) | TRANSISTOR | V2V3V4 | |
| △ Q10 | | | 2SB1417(Q,P) | TRANSISTOR | | |
| △ Q10 | | | 2SB1640 | TRANSISTOR | E3Q2M5 | |
| Q11 | | | KTA1267(Y,GR) | TRANSISTOR | E1E2Q1 | |
| Q11 | | | KTA1267(Y,GR) | TRANSISTOR | I2I3I4 | |
| Q11 | | | KTA1267(Y,GR) | TRANSISTOR | K1P1Y1 | |
| Q11 | | | KTA1267(Y,GR) | TRANSISTOR | K2P2X2 | |
| Q11 | | | KTA1267(Y,GR) | TRANSISTOR | M1I1X1 | |
| Q11 | | | KTA1267(Y,GR) | TRANSISTOR | M2M3M4 | |
| Q11 | | | 2SA1175(F,E) | TRANSISTOR | | |
| Q11 | | | 2SA933A(S,Q,R) | TRANSISTOR | V2V3V4 | |
| Q12 | | | KTC3199(Y,GR) | TRANSISTOR | E1E2Q1 | |
| Q12 | | | KTC3199(Y,GR) | TRANSISTOR | E3Q2M5 | |
| Q12 | | | KTC3199(Y,GR) | TRANSISTOR | I2I3I4 | |
| Q12 | | | KTC3199(Y,GR) | TRANSISTOR | K1P1Y1 | |
| Q12 | | | KTC3199(Y,GR) | TRANSISTOR | K2P2X2 | |
| Q12 | | | KTC3199(Y,GR) | TRANSISTOR | M1I1X1 | |
| Q12 | | | KTC3199(Y,GR) | TRANSISTOR | M2M3M4 | |
| Q12 | | | 2SC1740S(Q,R) | TRANSISTOR | V2V3V4 | |
| Q12 | | | 2SC2785(F,E) | TRANSISTOR | | |
| △ Q13 | | | 2SD2137(Q,P) | TRANSISTOR | | |
| △ Q13 | | | 2SD2525 | TRANSISTOR | | |
| △ Q14 | | | 2SB1417(Q,P) | TRANSISTOR | | |
| △ Q14 | | | 2SB1640 | TRANSISTOR | | |
| △ Q15 | | | 2SD2137(Q,P) | TRANSISTOR | | |
| △ Q15 | | | 2SD2525 | TRANSISTOR | | |
| Q16 | | | 2SC2003(L,K) | TRANSISTOR | | |
| △ Q17 | | | 2SB1624 | TRANSISTOR | M3I3V3 | |
| Q18 | | | KTC3199(Y,GR) | TRANSISTOR | E1E2Q1 | |
| Q18 | | | KTC3199(Y,GR) | TRANSISTOR | E3Q2M5 | |
| Q18 | | | KTC3199(Y,GR) | TRANSISTOR | I2I3I4 | |
| Q18 | | | KTC3199(Y,GR) | TRANSISTOR | K1P1Y1 | |
| Q18 | | | KTC3199(Y,GR) | TRANSISTOR | K2P2X2 | |
| Q18 | | | KTC3199(Y,GR) | TRANSISTOR | M1I1X1 | |
| Q18 | | | KTC3199(Y,GR) | TRANSISTOR | M2M3M4 | |
| Q18 | | | 2SC1740S(Q,R) | TRANSISTOR | V2V3V4 | |
| Q18 | | | 2SC2785(F,E) | TRANSISTOR | | |
| △ Q19 | | | 2SD2137(Q,P) | TRANSISTOR | | |
| △ Q19 | | | 2SD2525 | TRANSISTOR | | |
| △ Q20-22 | | | KTC3199(Y,GR) | TRANSISTOR | E1E2Q1 | |
| △ Q20-22 | | | KTC3199(Y,GR) | TRANSISTOR | E3Q2M5 | |
| △ Q20-22 | | | KTC3199(Y,GR) | TRANSISTOR | I2I3I4 | |
| △ Q20-22 | | | KTC3199(Y,GR) | TRANSISTOR | K1P1Y1 | |
| △ Q20-22 | | | KTC3199(Y,GR) | TRANSISTOR | K2P2X2 | |
| △ Q20-22 | | | KTC3199(Y,GR) | TRANSISTOR | M1I1X1 | |
| △ Q20-22 | | | KTC3199(Y,GR) | TRANSISTOR | M2M3M4 | |
| △ Q20-22 | | | 2SC1740S(Q,R) | TRANSISTOR | V2V3V4 | |

L : Scandinavia K : USA P : Canada R : Mexico C : China I : Malaysia
Y : PX(Far East, Hawaii) T : Europe E : Europe G : Germany V : China(Shanghai)
Y : AAFES(Europe) X : Australia Q : Russia H : Korea M : Other Areas △ indicates safety critical components.

* New Parts

Parts without **Parts No.** are not supplied.
Les articles non mentionnés dans le **Parts No.** ne sont pas fournis.
Teile ohne **Parts No.** werden nicht geliefert.

36

| Ref. No | Add-ress | New Parts | Parts No. | Description | Desti-nation | Re-marks |
|-----------------------------------|----------|-----------|---------------|--------------------|--------------|----------|
| △ Q20-22 | | | 2SC2785(F,E) | TRANSISTOR | | |
| △ Q23 | | | 2SD2137(Q,P) | TRANSISTOR | | |
| △ Q23 | | | 2SD2525 | TRANSISTOR | | |
| Q24 | | | 2SD2137(Q,P) | TRANSISTOR | M4I4V4 | |
| Q24 | | | 2SD2525 | TRANSISTOR | M4I4V4 | |
| Q25, 26 | | | 2SC2878(B) | TRANSISTOR | | |
| Q27 | | | KTC3199(Y,GR) | TRANSISTOR | E1E2Q1 | |
| Q27 | | | KTC3199(Y,GR) | TRANSISTOR | E3Q2M5 | |
| Q27 | | | KTC3199(Y,GR) | TRANSISTOR | I2I3I4 | |
| Q27 | | | KTC3199(Y,GR) | TRANSISTOR | K1P1Y1 | |
| Q27 | | | KTC3199(Y,GR) | TRANSISTOR | K2P2X2 | |
| Q27 | | | KTC3199(Y,GR) | TRANSISTOR | M1I1X1 | |
| Q27 | | | KTC3199(Y,GR) | TRANSISTOR | M2M3M4 | |
| Q27 | | | 2SC1740S(Q,R) | TRANSISTOR | V2V3V4 | |
| Q27 | | | 2SC2785(F,E) | TRANSISTOR | | |
| Q28 | | | DTC124ESA | DIGITAL TRANSISTOR | | |
| Q29 | | | KTC3199(Y,GR) | TRANSISTOR | E1E2Q1 | |
| Q29 | | | KTC3199(Y,GR) | TRANSISTOR | I2I3I4 | |
| Q29 | | | KTC3199(Y,GR) | TRANSISTOR | K1P1Y1 | |
| Q29 | | | KTC3199(Y,GR) | TRANSISTOR | K2P2X2 | |
| Q29 | | | KTC3199(Y,GR) | TRANSISTOR | M1I1X1 | |
| Q29 | | | KTC3199(Y,GR) | TRANSISTOR | M2M3M4 | |
| Q29 | | | 2SC1740S(Q,R) | TRANSISTOR | V2V3V4 | |
| Q29 | | | 2SC2785(F,E) | TRANSISTOR | | |
| Q501, 502 | | | 2SC2878(B) | TRANSISTOR | M3I3V3 | |
| Q501, 502 | | | 2SC2878(B) | TRANSISTOR | M4I4V4 | |
| Q503 | | | 2SC2878(B) | TRANSISTOR | M3I3V3 | |
| Q504 | | | KTC3199(Y,GR) | TRANSISTOR | M3I3 | |
| Q504 | | | 2SC1740S(Q,R) | TRANSISTOR | V3 | |
| Q504 | | | 2SC2785(F,E) | TRANSISTOR | M3I3V3 | |
| Q505, 506 | | | 2SC2878(B) | TRANSISTOR | M3I3V3 | |
| Q505, 506 | | | 2SC2878(B) | TRANSISTOR | M4I4V4 | |
| Q507 | | | 2SC2878(B) | TRANSISTOR | M3I3V3 | |
| Q509, 510 | | | 2SC1845(F,E) | TRANSISTOR | M3I3V3 | |
| Q509, 510 | | | 2SC1845(F,E) | TRANSISTOR | M4I4V4 | |
| Q511 | | | 2SC1845(F,E) | TRANSISTOR | M3I3V3 | |
| Q512 | | | KTC3199(Y,GR) | TRANSISTOR | I4 | |
| Q512 | | | KTC3199(Y,GR) | TRANSISTOR | M3M4I3 | |
| Q512 | | | 2SC1740S(Q,R) | TRANSISTOR | V3V4 | |
| Q512 | | | 2SC2785(F,E) | TRANSISTOR | I4V3V4 | |
| Q512 | | | 2SC2785(F,E) | TRANSISTOR | | |
| Q514 | | | 2SC2785(F,E) | TRANSISTOR | M3M4I3 | |
| Q514 | | | KTC3199(Y,GR) | TRANSISTOR | I4 | |
| Q514 | | | KTC3199(Y,GR) | TRANSISTOR | M3M4I3 | |
| Q514 | | | KTC3199(Y,GR) | TRANSISTOR | V3V4 | |
| Q514 | | | 2SC1740S(Q,R) | TRANSISTOR | I4V3V4 | |
| Q514 | | | 2SC2785(F,E) | TRANSISTOR | | |
| Q514 | | | 2SC2785(F,E) | TRANSISTOR | | |
| Q514 | | | 2SC2785(F,E) | TRANSISTOR | M3M4I3 | |
| DISPLAY UNIT (X14-485X-XX) | | | | | | |
| D6, 7 | | | B30-2430-05 | LED(RED) | E1E2Q1 | |
| D6, 7 | | | B30-2430-05 | LED(RED) | K1P1Y1 | |
| D6, 7 | | | B30-2430-05 | LED(RED) | K2P2X2 | |
| D6, 7 | | | B30-2430-05 | LED(RED) | M1I1X1 | |
| D6, 7 | | | B30-2430-05 | LED(RED) | M2I2V2 | |
| D6, 7 | | | B30-2430-05 | LED(RED) | | |
| D6, 7 | | | B30-2430-05 | LED(RED) | W3Q2M5 | |
| D20, 21 | | | B30-2468-05 | LED | E2Q1 | |

L : Scandinavia K : USA P : Canada R : Mexico C : China I : Malaysia
Y : PX(Far East, Hawaii) T : Europe E : Europe G : Germany V : China(Shanghai)
Y : AAFES(Europe) X : Australia Q : Russia H : Korea M : Other Areas △ indicates safety critical components.

PARTS LIST

RXD-951/A700/A900/V616/V818/V919

* New Parts

Parts without **Parts No.** are not supplied.
Les articles non mentionnés dans le **Parts No.** ne sont pas fournis.
Teile ohne **Parts No.** werden nicht geliefert.

39

| Ref. No | Add-ress | New Parts | Parts No. | Description | Desti-nation | Re-marks |
|---------|----------|-----------|---------------|------------------------------|--------------|----------|
| C119 | | | CC45FSL1H101J | CERAMIC 100PF J | V2V3V4 | |
| C120 | | | CE04LW1V220M | ELECTRO 22UF 35WV | I2I3I4 | |
| C120 | | | CE04LW1V220M | ELECTRO 22UF 35WV | M2M3M4 | |
| C120 | | | CE04LW1V220M | ELECTRO 22UF 35WV | V2V3V4 | |
| C121 | | | CK45FF1H103Z | CERAMIC 0.010UF Z | I2I3I4 | |
| C121 | | | CK45FF1H103Z | CERAMIC 0.010UF Z | M2M3M4 | |
| C121 | | | CK45FF1H103Z | CERAMIC 0.010UF Z | V3V3V4 | |
| C122 | | | CQ93FMG1H332J | MYLAR 3300PF J | I2I3I4 | |
| C122 | | | CQ93FMG1H332J | MYLAR 3300PF J | M2M3M4 | |
| C122 | | | CQ93FMG1H332J | MYLAR 3300PF J | V2V3V4 | |
| C123 | | | CF92FV1H474J | MF-C 0.47UF J | I2I3I4 | |
| C123 | | | CF92FV1H474J | MF-C 0.47UF J | M2M3M4 | |
| C123 | | | CF92FV1H474J | MF-C 0.47UF J | V2V3V4 | |
| C124 | | | CK45FF1H103Z | CERAMIC 0.010UF Z | I2I3I4 | |
| C124 | | | CK45FF1H103Z | CERAMIC 0.010UF Z | M2M3M4 | |
| C124 | | | CK45FF1H103Z | CERAMIC 0.010UF Z | V2V3V4 | |
| C125 | | | CE04LW1C470M | ELECTRO 47UF 16WV | I2I3I4 | |
| C125 | | | CE04LW1C470M | ELECTRO 47UF 16WV | M111X1 | |
| C125 | | | CE04LW1C470M | ELECTRO 47UF 16WV | M2M3M4 | |
| C125 | | | CE04LW1C470M | ELECTRO 47UF 16WV | V2V3V4 | |
| C125 | | | CE04LW1C470M | ELECTRO 47UF 16WV | Y1M5 | |
| CN1 | | | E40-4725-05 | FLAT CABLE CONNECTOR | | |
| CN2 | | | E40-8267-05 | FLAT CABLE CONNECTOR | E3Q2 | |
| CN2 | | | E40-8267-05 | FLAT CABLE CONNECTOR | K2P2X2 | |
| CN2 | | | E40-8267-05 | FLAT CABLE CONNECTOR | M4I4V4 | |
| CN2 | | | E40-8268-05 | FLAT CABLE CONNECTOR | E1E2Q1 | |
| CN2 | | | E40-8268-05 | FLAT CABLE CONNECTOR | I3V2V3 | |
| CN2 | | | E40-8268-05 | FLAT CABLE CONNECTOR | K1P1Y1 | |
| CN2 | | | E40-8268-05 | FLAT CABLE CONNECTOR | M111X1 | |
| CN2 | | | E40-8268-05 | FLAT CABLE CONNECTOR | M2M3I2 | |
| CN2 | | | E40-8268-05 | FLAT CABLE CONNECTOR | M5 | |
| CN3 | | | E40-8287-05 | FLAT CABLE CONNECTOR | I2I3I4 | |
| CN3 | | | E40-8287-05 | FLAT CABLE CONNECTOR | M111X1 | |
| CN3 | | | E40-8287-05 | FLAT CABLE CONNECTOR | M2M3M4 | |
| CN3 | | | E40-8287-05 | FLAT CABLE CONNECTOR | V2V3V4 | |
| CN3 | | | E40-8287-05 | FLAT CABLE CONNECTOR | Y1M5 | |
| CN5 | | | E40-4721-05 | FLAT CABLE CONNECTOR | | |
| CN5 | | | E40-4721-05 | FLAT CABLE CONNECTOR | E3Q2 | |
| CN5 | | | E40-4721-05 | FLAT CABLE CONNECTOR | K2P2X2 | |
| CN5 | | | E40-4721-05 | FLAT CABLE CONNECTOR | M4I4V4 | |
| CN5 | | | E40-4723-05 | FLAT CABLE CONNECTOR | E1E2Q1 | |
| CN5 | | | E40-4723-05 | FLAT CABLE CONNECTOR | I3V2V3 | |
| CN5 | | | E40-4723-05 | FLAT CABLE CONNECTOR | K1P1Y1 | |
| CN5 | | | E40-4723-05 | FLAT CABLE CONNECTOR | M111X1 | |
| CN5 | | | E40-4723-05 | FLAT CABLE CONNECTOR | M2M3I2 | |
| CN5 | | | E40-4723-05 | FLAT CABLE CONNECTOR | M5 | |
| J1, 2 | | | E11-0169-05 | PHONE JACK | I2I3I4 | |
| J1, 2 | | | E11-0169-05 | PHONE JACK | M111X1 | |
| J1, 2 | | | E11-0169-05 | PHONE JACK | M2M3M4 | |
| J1, 2 | | | E11-0169-05 | PHONE JACK | V2V3V4 | |
| J3 | | | E11-0280-05 | PHONE JACK | Y1M5 | |
| - | | | J19-5756-03 | HOLDER | | |
| L1 | | | L40-1001-17 | SMALL FIXED INDUCTOR(10UH,K) | E1E2Q1 | |

L: Scandinavia K: USA P: Canada R: Mexico C: China I: Malaysia
Y: PX(Far East, Hawaii) T: Europe E: Europe G: Germany V: China(Shanghai)
Y: AAFES(Europe) X: Australia Q: Russia H: Korea M: Other Areas Δ indicates safety critical components.

* New Parts

Parts without **Parts No.** are not supplied.
Les articles non mentionnés dans le **Parts No.** ne sont pas fournis.
Teile ohne **Parts No.** werden nicht geliefert.

40

| Ref. No | Add-ress | New Parts | Parts No. | Description | Desti-nation | Re-marks |
|--------------------|----------|-----------|--------------|------------------------------|--------------|----------|
| L1 | | | L40-1001-17 | SMALL FIXED INDUCTOR(10UH,K) | E3Q2M5 | |
| L1 | | | L40-1001-17 | SMALL FIXED INDUCTOR(10UH,K) | I2I3I4 | |
| L1 | | | L40-1001-17 | SMALL FIXED INDUCTOR(10UH,K) | K1P1Y1 | |
| L1 | | | L40-1001-17 | SMALL FIXED INDUCTOR(10UH,K) | K2P2X2 | |
| L1 | | | L40-1001-17 | SMALL FIXED INDUCTOR(10UH,K) | M111X1 | |
| L1 | | | L40-1001-17 | SMALL FIXED INDUCTOR(10UH,K) | M2M3M4 | |
| L1 | | | L40-1001-82 | SMALL FIXED INDUCTOR(10UH) | V2V3V4 | |
| X1 | | | L78-0284-05 | RESONATOR (5MHZ) | | |
| CP1 | | | R90-0977-05 | MULTIPLE RESISTOR | | |
| CP2 | | | R90-0908-05 | MULTI-COMP 47KX10 | | |
| CP3 | | | R90-0804-05 | MULTI-COMP 47KX8 J 1/4W | | |
| CP4 | | | R90-0819-05 | MULTI-COMP 47KX6 J 1/6W | | |
| Δ R23 | | | RD14NB2E100J | RD 10 J 1/4W | | |
| Δ R115 | | | RD14NB2E471J | RD 470 J 1/4W | I2I3I4 | |
| Δ R115 | | | RD14NB2E471J | RD 470 J 1/4W | M2M3M4 | |
| Δ R151, 152 | | | RD14NB2E471J | RD 470 J 1/4W | V2V3V4 | |
| VR1 | | | RS14KB3D471J | FL-PROOF RS 470 J 2W | | |
| VR1 | | | R31-0097-05 | VARIABLE RESISTOR | I2I3I4 | |
| VR1 | | | R31-0097-05 | VARIABLE RESISTOR | M111X1 | |
| VR1 | | | R31-0097-05 | VARIABLE RESISTOR | M2M3M4 | |
| VR1 | | | R31-0097-05 | VARIABLE RESISTOR | V2V3V4 | |
| VR1 | | | R31-0097-05 | VARIABLE RESISTOR | Y1M5 | |
| S2 | | | S70-0031-05 | TACT SWITCH | | |
| S11 | | | S70-0031-05 | TACT SWITCH | | |
| S12 | | | S70-0031-05 | TACT SWITCH | E1E2Q1 | |
| S12 | | | S70-0031-05 | TACT SWITCH | E1E2Q1 | |
| S12 | | | S70-0031-05 | TACT SWITCH | E3Q2M5 | |
| S12 | | | S70-0031-05 | TACT SWITCH | K1P1Y1 | |
| S12 | | | S70-0031-05 | TACT SWITCH | K2P2X2 | |
| S12 | | | S70-0031-05 | TACT SWITCH | M111X1 | |
| S12 | | | S70-0031-05 | TACT SWITCH | M2I2V2 | |
| S13-44 | | | S70-0031-05 | TACT SWITCH | | |
| S1 | | | T99-0559-05 | ROTARY ENCODER | | |
| S45 | | | T99-0530-05 | ROTARY ENCODER | | |
| D1 | | | HZS6.8N(B) | ZENER DIODE | | |
| D1 | | | MTZJ6.8 | ZENER DIODE | | |
| D2 | | | S5688B | DIODE | | |
| D3, 4 | | | HSS104A | DIODE | | |
| D3, 4 | | | 1SS133 | DIODE | | |
| D5 | | | HZS6.8N(B) | ZENER DIODE | | |
| D5 | | | MTZJ6.8 | ZENER DIODE | | |
| D101, 102 | | | HSS104A | DIODE | I2I3I4 | |
| D101, 102 | | | HSS104A | DIODE | M111X1 | |
| D101, 102 | | | HSS104A | DIODE | M2M3M4 | |
| D101, 102 | | | HSS104A | DIODE | V2V3V4 | |
| D101, 102 | | | HSS104A | DIODE | Y1M5 | |
| D101, 102 | | | 1SS133 | DIODE | I2I3I4 | |
| D101, 102 | | | 1SS133 | DIODE | M111X1 | |
| D101, 102 | | | 1SS133 | DIODE | M2M3M4 | |
| D101, 102 | | | 1SS133 | DIODE | V2V3V4 | |
| D101, 102 | | | 1SS133 | DIODE | Y1M5 | |
| D103-106 | | | HZS5.6N(B) | ZENER DIODE | I2I3I4 | |
| D103-106 | | | HZS5.6N(B) | ZENER DIODE | M111X1 | |
| D103-106 | | | HZS5.6N(B) | ZENER DIODE | M2M3M4 | |

L: Scandinavia K: USA P: Canada R: Mexico C: China I: Malaysia
Y: PX(Far East, Hawaii) T: Europe E: Europe G: Germany V: China(Shanghai)
Y: AAFES(Europe) X: Australia Q: Russia H: Korea M: Other Areas Δ indicates safety critical components.

PARTS LIST

RXD-951/A700/A900/V616/V818/V919

* New Parts
Parts without **Parts No.** are not supplied.
Les articles non mentionnés dans le **Parts No.** ne sont pas fournis.
Teile ohne **Parts No.** werden nicht geliefert.

41

| Ref. No | Add- ress | New Parts | Parts No. | Description | Desti- nation | Re- marks |
|-----------|--------------|--------------|---------------|----------------|------------------|--------------|
| D103-106 | | | HZS5.6N(B) | ZENER DIODE | V2V3V4 | |
| D103-106 | | | HZS5.6N(B) | ZENER DIODE | Y1M5 | |
| D103-106 | | | MTZJ5.6 | ZENER DIODE | I2I3I4 | |
| D103-106 | | | MTZJ5.6 | ZENER DIODE | M111X1 | |
| D103-106 | | | MTZJ5.6 | ZENER DIODE | M2M3M4 | |
| D103-106 | | | MTZJ5.6 | ZENER DIODE | V2V3V4 | |
| D103-106 | | | MTZJ5.6 | ZENER DIODE | Y1M5 | |
| D107 | | | HZS4.7N(B) | ZENER DIODE | I2I3I4 | |
| D107 | | | HZS4.7N(B) | ZENER DIODE | M2M3M4 | |
| D107 | | | HZS4.7N(B) | ZENER DIODE | V2V3V4 | |
| D107 | | | MTZJ4.7 | ZENER DIODE | I2I3I4 | |
| D107 | | | MTZJ4.7 | ZENER DIODE | M2M3M4 | |
| D107 | | | MTZJ4.7 | ZENER DIODE | V2V3V4 | |
| D108, 109 | | | HZS2.0N(B2) | ZENER DIODE | I2I3I4 | |
| D108, 109 | | | HZS2.0N(B2) | ZENER DIODE | M2M3M4 | |
| D108, 109 | | | HZS2.0N(B2) | ZENER DIODE | V2V3V4 | |
| D108, 109 | | | MTZJ2.0(B) | ZENER DIODE | I2I3I4 | |
| D108, 109 | | | MTZJ2.0(B) | ZENER DIODE | M2M3M4 | |
| D108, 109 | | | MTZJ2.0(B) | ZENER DIODE | V2V3V4 | |
| ED1 | | | BJ594GK | INDICATOR TUBE | | |
| ED1 | | | SVA-12LL02 | INDICATOR TUBE | E1E2Q1 | |
| ED1 | | | SVA-12LL02 | INDICATOR TUBE | E3Q2M5 | |
| ED1 | | | SVA-12LL02 | INDICATOR TUBE | I2I3I4 | |
| ED1 | | | SVA-12LL02 | INDICATOR TUBE | K1P1Y1 | |
| ED1 | | | SVA-12LL02 | INDICATOR TUBE | K2P2X2 | |
| ED1 | | | SVA-12LL02 | INDICATOR TUBE | M111X1 | |
| ED1 | | | SVA-12LL02 | INDICATOR TUBE | M2M3M4 | |
| IC1 | | | UPD780204-038 | MI-COM IC | | |
| IC101 | | | NJM4565D-D | IC(OP AMP X2) | I2I3I4 | |
| IC101 | | | NJM4565D-D | IC(OP AMP X2) | M111X1 | |
| IC101 | | | NJM4565D-D | IC(OP AMP X2) | M2M3M4 | |
| IC101 | | | NJM4565D-D | IC(OP AMP X2) | V2V3V4 | |
| IC101 | | | NJM4565D-D | IC(OP AMP X2) | Y1M5 | |
| IC102 | | | BU9253AS | MOS-IC | I2I3I4 | |
| IC102 | | | BU9253AS | MOS-IC | M2M3M4 | |
| IC102 | | | BU9253AS | MOS-IC | V2V3V4 | |
| Q1-8 | | | KTC3199(Y,GR) | TRANSISTOR | E3Q2M5 | |
| Q1-8 | | | KTC3199(Y,GR) | TRANSISTOR | E1E2Q1 | |
| Q1-8 | | | KTC3199(Y,GR) | TRANSISTOR | I2I3I4 | |
| Q1-8 | | | KTC3199(Y,GR) | TRANSISTOR | K1P1Y1 | |
| Q1-8 | | | KTC3199(Y,GR) | TRANSISTOR | K2P2X2 | |
| Q1-8 | | | KTC3199(Y,GR) | TRANSISTOR | M111X1 | |
| Q1-8 | | | KTC3199(Y,GR) | TRANSISTOR | M2M3M4 | |
| Q1-8 | | | 2SC1740S(Q,R) | TRANSISTOR | V2V3V4 | |
| Q1-8 | | | 2SC2785(F,E) | TRANSISTOR | | |
| Q9 | | | 2SC2003(L,K) | TRANSISTOR | | |
| Q10, 11 | | | KTA1267(Y,GR) | TRANSISTOR | E1E2Q1 | |
| Q10, 11 | | | KTA1267(Y,GR) | TRANSISTOR | E3Q2M5 | |
| Q10, 11 | | | KTA1267(Y,GR) | TRANSISTOR | I2I3I4 | |
| Q10, 11 | | | KTA1267(Y,GR) | TRANSISTOR | K1P1Y1 | |
| Q10, 11 | | | KTA1267(Y,GR) | TRANSISTOR | K2P2X2 | |
| Q10, 11 | | | KTA1267(Y,GR) | TRANSISTOR | M111X1 | |
| Q10, 11 | | | KTA1267(Y,GR) | TRANSISTOR | M2M3M4 | |
| Q10, 11 | | | 2SA1175(F,E) | TRANSISTOR | V2V3V4 | |

L : Scandinavia K : USA P : Canada R : Mexico C : China I : Malaysia
Y : PX(Far East, Hawaii) T : Europe E : Europe G : Germany V : China(Shanghai)
Y : AAFES(Europe) X : Australia Q : Russia H : Korea M : Other Areas Δ indicates safety critical components.

* New Parts
Parts without **Parts No.** are not supplied.
Les articles non mentionnés dans le **Parts No.** ne sont pas fournis.
Teile ohne **Parts No.** werden nicht geliefert.

42

| Ref. No | Add- ress | New Parts | Parts No. | Description | Desti- nation | Re- marks |
|--|--------------|--------------|---------------|-------------------------|------------------|--------------|
| Q10, 11 | | | 2SA933AS(Q,R) | TRANSISTOR | | |
| Q12 | | | KTC3199(Y,GR) | TRANSISTOR | E1E2Q1 | |
| Q12 | | | KTC3199(Y,GR) | TRANSISTOR | E3Q2M5 | |
| Q12 | | | KTC3199(Y,GR) | TRANSISTOR | I2I3I4 | |
| Q12 | | | KTC3199(Y,GR) | TRANSISTOR | K1P1Y1 | |
| Q12 | | | KTC3199(Y,GR) | TRANSISTOR | K2P2X2 | |
| Q12 | | | KTC3199(Y,GR) | TRANSISTOR | M111X1 | |
| Q12 | | | KTC3199(Y,GR) | TRANSISTOR | M2M3M4 | |
| Q12 | | | 2SC1740S(Q,R) | TRANSISTOR | V2V3V4 | |
| Q12 | | | 2SC2785(F,E) | TRANSISTOR | | |
| Q23 | | | KTC3199(Y,GR) | TRANSISTOR | E1E2Q1 | |
| Q23 | | | KTC3199(Y,GR) | TRANSISTOR | E3Q2M5 | |
| Q23 | | | KTC3199(Y,GR) | TRANSISTOR | I2I3I4 | |
| Q23 | | | KTC3199(Y,GR) | TRANSISTOR | K1P1Y1 | |
| Q23 | | | KTC3199(Y,GR) | TRANSISTOR | K2P2X2 | |
| Q23 | | | KTC3199(Y,GR) | TRANSISTOR | M111X1 | |
| Q23 | | | KTC3199(Y,GR) | TRANSISTOR | M2M3M4 | |
| Q24-28 | | | KTC3199(Y,GR) | TRANSISTOR | E1E2Q1 | |
| Q24-28 | | | KTC3199(Y,GR) | TRANSISTOR | I3M5 | |
| Q24-28 | | | KTC3199(Y,GR) | TRANSISTOR | K1P1Y1 | |
| Q24-28 | | | KTC3199(Y,GR) | TRANSISTOR | M111X1 | |
| Q24-28 | | | KTC3199(Y,GR) | TRANSISTOR | M2M3I2 | |
| Q24-28 | | | 2SC1740S(Q,R) | TRANSISTOR | E1E2Q1 | |
| Q24-28 | | | 2SC1740S(Q,R) | TRANSISTOR | I3V2V3 | |
| Q24-28 | | | 2SC1740S(Q,R) | TRANSISTOR | K1P1Y1 | |
| Q24-28 | | | 2SC1740S(Q,R) | TRANSISTOR | M111X1 | |
| Q24-28 | | | 2SC1740S(Q,R) | TRANSISTOR | M2M3I2 | |
| Q24-28 | | | 2SC1740S(Q,R) | TRANSISTOR | M5 | |
| Q24-28 | | | 2SC2785(F,E) | TRANSISTOR | V2V3 | |
| Q101-103 | | | KTA1267(Y,GR) | TRANSISTOR | I2I3I4 | |
| Q101-103 | | | KTA1267(Y,GR) | TRANSISTOR | M2M3M4 | |
| Q101-103 | | | KTA1267(Y,GR) | TRANSISTOR | V2V3V4 | |
| Q101-103 | | | 2SA933AS(Q,R) | TRANSISTOR | I2I3I4 | |
| Q101-103 | | | 2SA933AS(Q,R) | TRANSISTOR | M2M3M4 | |
| Q101-103 | | | 2SA933AS(Q,R) | TRANSISTOR | V2V3V4 | |
| A1 | | | W02-2561-05 | ELECTRIC CIRCUIT MODULE | | |
| CASSETTE MECHA UNIT (X28-296X-XX) | | | | | | |
| C1, 2 | | | CK45FB1H561K | CERAMIC | 560PF | K |
| C3, 4 | | | CE04LW1C100M | ELECTRO | 10UF | 16WV |
| C5, 6 | | | CK45FB1H391K | CERAMIC | 390PF | K |
| C7, 8 | | | CE04LW1C220M | ELECTRO | 22UF | 16WV |
| C9, 10 | | | CQ93FMG1H223J | MYLAR | 0.022UF | J |
| C11, 12 | | | CK45FB1H332K | CERAMIC | 330PF | K |
| C15, 16 | | | CE04LW1H010M | ELECTRO | 1.0UF | 50WV |
| C17, 18 | | | CK45FB1H471K | CERAMIC | 470PF | K |
| C19, 20 | | | CE04LW1C100M | ELECTRO | 10UF | 16WV |
| C21, 22 | | | CK45FB1H391K | CERAMIC | 390PF | K |
| C23, 24 | | | CE04LW1C220M | ELECTRO | 22UF | 16WV |
| C25, 26 | | | CQ93FMG1H223J | MYLAR | 0.022UF | J |
| C27, 28 | | | CK45FB1H332K | CERAMIC | 330PF | K |
| C29, 30 | | | CE04LW1H010M | ELECTRO | 1.0UF | 50WV |
| C31, 32 | | | CK45FB1H682K | CERAMIC | 680PF | K |
| C33, 34 | | | CK45FB1H102K | CERAMIC | 1000PF | K |
| C35, 36 | | | CE04LW1HR47M | ELECTRO | 0.47UF | 50WV |

L : Scandinavia K : USA P : Canada R : Mexico C : China I : Malaysia
Y : PX(Far East, Hawaii) T : Europe E : Europe G : Germany V : China(Shanghai)
Y : AAFES(Europe) X : Australia Q : Russia H : Korea M : Other Areas Δ indicates safety critical components.

* New Parts

Parts without **Parts No.** are not supplied.
Les articles non mentionnés dans le **Parts No.** ne sont pas fournis.
Teile ohne **Parts No.** werden nicht geliefert.

43

| Ref. No | Add-ress | New Parts | Parts No. | Description | Desti-nation | Re-marks |
|---------|----------|-----------|---------------|-------------------------------|--------------|----------|
| C37, 38 | | | CE04LW1H2R2M | ELECTRO 2.2UF 50WV | | |
| C39, 40 | | | CE04LW1H0R1M | ELECTRO 0.1UF 50WV | | |
| C41, 42 | | | CE04LW1C100M | ELECTRO 10UF 16WV | | |
| C43, 44 | | | CE04LW1H2R2M | ELECTRO 2.2UF 50WV | | |
| C45, 46 | | | CE04LW1HR47M | ELECTRO 0.47UF 50WV | | |
| C47, 48 | | | CE04LW1H2R2M | ELECTRO 2.2UF 50WV | | |
| C49-52 | | | CC45FSL1H221J | CERAMIC 220PF J | | |
| C53, 54 | | | CQ93FMG1H472J | MYLAR 4700PF J | | |
| C55 | | | CE04LW1H010M | ELECTRO 1.0UF 50WV | | |
| C56 | | | CQ93FMG1H103J | MYLAR 0.010UF J | | |
| C57 | | | CE04LW1H0R1M | ELECTRO 0.1UF 50WV | | |
| C58 | | | CE04LW1C101M | ELECTRO 100UF 16WV | | |
| C59, 60 | | | CE04LW1C220M | ELECTRO 22UF 16WV | | |
| C61, 62 | | | CE04LW1C101M | ELECTRO 100UF 16WV | | |
| C63 | | | CE04LW1V4R7M | ELECTRO 4.7UF 35WV | | |
| C64 | | | CQ93FMG1H472J | MYLAR 4700PF J | | |
| C65 | | | CQ93FMG1H103J | MYLAR 0.010UF J | | |
| C66 | | | CQ93FMG1H472J | MYLAR 4700PF J | | |
| C67 | | | CQ93HP2A103J | MYLAR 0.010UF J | | |
| C68 | | | CK45FB2H471K | CERAMIC 470PF K | | |
| C69 | | | CE04LW1H010M | ELECTRO 1.0UF 50WV | | |
| C70, 71 | | | CE04LW1C100M | ELECTRO 10UF 16WV | | |
| C74 | | | CK45FB1H471K | CERAMIC 470PF K | | |
| C75, 76 | | | CK45FF1H103Z | CERAMIC 0.010UF Z | | |
| CN1 | | | E40-3247-05 | PIN ASSY | | |
| CN2 | | | E40-3250-05 | PIN ASSY | | |
| CN3, 4 | | | E40-8257-05 | FLAT CABLE CONNECTOR | | |
| CN5 | | | E40-8253-05 | FLAT CABLE CONNECTOR | | |
| CN6 | | | E40-4977-05 | PIN ASSY | | |
| E2 | | | J11-0809-05 | WIRE CLAMPER | | |
| L1, 2 | | | L79-1242-05 | LC FILTER | | |
| L5, 6 | | | L40-1035-29 | SMALL FIXED INDUCTOR(10MH, J) | | |
| L7 | | | L32-0592-05 | BIAS OSCILLATING COIL | | |
| △ R43 | | | RD14NB2E100J | RD 10 J 1/4W | | |
| △ R53 | | | RD14NB2E100J | RD 10 J 1/4W | | |
| △ R62 | | | RD14NB2E101J | RD 100 J 1/4W | | |
| VR1, 2 | | | R32-0030-05 | SEMI FIXED VARIABLE RESISTOR | | |
| VR3, 4 | | | R32-0041-05 | SEMI FIXED VARIABLE RESISTOR | | |
| VR5, 6 | | | R32-0036-05 | SEMI FIXED VARIABLE RESISTOR | | |
| VR7, 8 | | | R32-0030-05 | SEMI FIXED VARIABLE RESISTOR | | |
| D1-4 | | | HSS104A | DIODE | | |
| D1-4 | | | 1S5133 | DIODE | | |
| D5 | | | HZS2.7N(B2) | ZENER DIODE | | |
| D5 | | | MTZJ2.7(B) | ZENER DIODE | | |
| IC1 | | | HA12209F | ANALOGUE IC | | |
| IC2, 3 | | | BA328 | IC | | |
| IC4 | | | BA3126N | ANALOGUE IC | | |
| IC5 | | | BA10393 | ANALOGUE IC | | |
| IC6 | | | TC74HC166AP | IC(8BIT SHIFT REGISTER) | | |
| Q1-4 | | | 2SC3246 | TRANSISTOR | | |
| △ Q5 | | | 2SC2003(L,K) | TRANSISTOR | | |
| Q7, 8 | | | 2SC1740S(Q,R) | TRANSISTOR | | |
| Q7, 8 | | | 2SC2785(F,E) | TRANSISTOR | | |

L : Scandinavia K : USA P : Canada R : Mexico C : China I : Malaysia
Y : PX(Far East, Hawaii) T : Europe E : Europe G : Germany V : China(Shanghai)
Y : AAFES(Europe) X : Australia Q : Russia H : Korea M : Other Areas △ indicates safety critical components.

* New Parts

Parts without **Parts No.** are not supplied.
Les articles non mentionnés dans le **Parts No.** ne sont pas fournis.
Teile ohne **Parts No.** werden nicht geliefert.

44

| Ref. No | Add-ress | New Parts | Parts No. | Description | Desti-nation | Re-marks |
|------------------------------------|----------|-----------|----------------|--------------------------|--------------|----------|
| Q9 | | | DTA124ESA | DIGITAL TRANSISTOR | | |
| Q9 | | | UN4112 | DIGITAL TRANSISTOR | | |
| Q10, 11 | | | 2SC1845(F,E) | TRANSISTOR | | |
| Q12 | | | DTC124ESA | DIGITAL TRANSISTOR | | |
| Q12 | | | UN4212 | DIGITAL TRANSISTOR | | |
| CD MECHA UNIT (X32-358X-XX) | | | | | | |
| C1, 2 | | | CC73FCH1H101J | CHIP C 100PF J | | |
| C3, 4 | | | CE04LW1A101M | ELECTRO 100UF 10WV | | |
| C5 | | | CE04LW1H100M | ELECTRO 10UF 50WV | | |
| C6 | | | CC73FCH1H680J | CHIP C 68PF J | | |
| C8 | | | CC73FCH1H101J | CHIP C 100PF J | | |
| C10 | | | CK73FB1E333KTA | CHIP C 0.033UF K | | |
| C11 | | | CE04LW1A471M | ELECTRO 470UF 10WV | | |
| C12, 13 | | | CC73FCH1H101J | CHIP C 100PF J | | |
| C14, 15 | | | CC73FCH1H221J | CHIP C 220PF J | | |
| C16 | | | CK73FB1H223KTA | CHIP C 0.022UF K | | |
| C17 | | | CK73FF1E104Z | CHIP C 0.10UF Z | | |
| C18 | | | CE04LW1A101M | ELECTRO 100UF 10WV | | |
| C19 | | | CE04LW0J331M | ELECTRO 330UF 6.3WV | | |
| C20 | | | CK73FF1E474Z | CHIP C 0.47UF Z | | |
| C21 | | | CK73FB1H332K | CHIP C 3300PF K | | |
| C22 | | | CK73FB1H152K | CHIP C 1500PF K | | |
| C23 | | | CK73FB1E473KTA | CHIP C 0.047UF K | | |
| C24 | | | CE04LW0J331M | ELECTRO 330UF 6.3WV | | |
| C25 | | | CK73FB1H103K | CHIP C 0.010UF K | | |
| C26 | | * | C90-3798-05 | ALUMINUM ELECTROLYTIC C. | | |
| C27 | | | CC73FCH1H102J | CHIP C 1000PF J | | |
| C28 | | | CK73FB1H103K | CHIP C 0.010UF K | | |
| C29 | | * | C90-3800-05 | ALUMINUM ELECTROLYTIC C. | | |
| C30, 31 | | | CC73FCH1H470J | CHIP C 47PF J | | |
| C32 | | | CK73FB1H103K | CHIP C 0.010UF K | | |
| C33 | | | CC73FCH1H102J | CHIP C 1000PF J | | |
| C34 | | | CC73FCH1H030C | CHIP C 3.0PF C | | |
| C35 | | | CK73FB1H103K | CHIP C 0.010UF K | | |
| C36 | | * | C90-3798-05 | ALUMINUM ELECTROLYTIC C. | | |
| C37 | | | CK73FB1H103K | CHIP C 0.010UF K | | |
| C38 | | | CE04LW0J471M | ELECTRO 470UF 6.3WV | | |
| C39, 40 | | | CE04LW1H100M | ELECTRO 10UF 50WV | | |
| C41, 42 | | | CK73FB1H222K | CHIP C 2200PF K | | |
| C43, 44 | | | CE04LW1H100M | ELECTRO 10UF 50WV | | |
| C45, 46 | | | CC73FCH1H561J | CHIP C 560PF J | | |
| C47, 48 | | | CC73FCH1H681J | CHIP C 680PF J | | |
| C49 | | | CK73FB1H103K | CHIP C 0.010UF K | | |
| C50 | | * | C90-3801-05 | ALUMINUM ELECTROLYTIC C. | | |
| C51, 52 | | | CE04LW1H010M | ELECTRO 1.0UF 50WV | | |
| C53 | | | CE04LW0J331M | ELECTRO 330UF 6.3WV | | |
| C54 | | | CK73FF1C105Z | CHIP C 1.0UF Z | | |
| C55 | | | CC73FCH1H151J | CHIP C 150PF J | | |
| C56 | | | CE04LW0J331M | ELECTRO 330UF 6.3WV | | |
| C57 | | | CK73FF1C105Z | CHIP C 1.0UF Z | | |
| C58 | | | CE04LW0J331M | ELECTRO 330UF 6.3WV | | |
| C59 | | | CK73FF1C105Z | CHIP C 1.0UF Z | | |
| C60 | | | CC73FCH1H470J | CHIP C 47PF J | | |
| C61 | | | CE04LW1A101M | ELECTRO 100UF 10WV | | |
| C62, 63 | | | CK73FF1E104Z | CHIP C 0.10UF Z | | |

L : Scandinavia K : USA P : Canada R : Mexico C : China I : Malaysia
Y : PX(Far East, Hawaii) T : Europe E : Europe G : Germany V : China(Shanghai)
Y : AAFES(Europe) X : Australia Q : Russia H : Korea M : Other Areas △ indicates safety critical components.

PARTS LIST

RXD-951/A700/A900/N616/N818/N919

* New Parts
Parts without **Parts No.** are not supplied.
Les articles non mentionnés dans le **Parts No.** ne sont pas fournis.
Teile ohne **Parts No.** werden nicht geliefert.

45

| Ref. No | Add-ress | New Parts | Parts No. | Description | Desti-nation | Re-marks |
|---------|----------|-----------|---------------|-------------------------------|--------------|----------|
| C64-68 | | | CC73FCH1H101J | CHIP C 100PF J | | |
| C69 | | | CK73FB1H103K | CHIP C 0.010UF K | | |
| C70-72 | | | CC73FCH1H101J | CHIP C 100PF J | | |
| C73 | | | CE04LW0J221M | ELECTRO 220UF 6.3WV | | |
| C74 | | | CE04LW1H100M | ELECTRO 10UF 50WV | | |
| C75 | | | CE04LW0J221M | ELECTRO 220UF 6.3WV | | |
| C76 | | | CE04LW1H100M | ELECTRO 10UF 50WV | I2I3I4 | |
| C76 | | | CE04LW1H100M | ELECTRO 10UF 50WV | M2M3M4 | |
| C77 | | | CE04LW1A471M | ELECTRO 470UF 10WV | | |
| C78 | | | CK73FB1H103K | CHIP C 0.010UF K | | |
| C79 | | | CC73FCH1H101J | CHIP C 100PF J | | |
| C81-84 | | | CC73FCH1H101J | CHIP C 100PF J | | |
| C85 | | | CC73FCH1H220J | CHIP C 22PF J | I2I3I4 | |
| C85 | | | CC73FCH1H220J | CHIP C 22PF J | M2M3M4 | |
| C86, 87 | | | CE04LW1A101M | ELECTRO 100UF 10WV | | |
| C88 | | | CK73FF1C105Z | CHIP C 1.0UF Z | | |
| C89 | | | CK73FF1E104Z | CHIP C 0.10UF Z | | |
| C90 | | | CC73FCH1H101J | CHIP C 100PF J | | |
| C91, 92 | | | CQ93FMG1H102J | MYLAR 1000PF J | | |
| C93 | | | CC73FCH1H030C | CHIP C 3.0PF C | | |
| C94, 95 | | | CK73FF1C105Z | CHIP C 1.0UF Z | | |
| C97, 98 | | | CK73FB1H103K | CHIP C 0.010UF K | | |
| C99 | | | CK73FF1C105Z | CHIP C 1.0UF Z | | |
| C100 | | | CC73FCH1H101J | CHIP C 100PF J | | |
| C101 | | | CK73FB1H103K | CHIP C 0.010UF K | | |
| CN1 | | | E40-8151-05 | FLAT CABLE CONNECTOR | | |
| CN2 | | | E40-4979-05 | PIN ASSY | | |
| CN3 | | | E40-4377-05 | PIN ASSY | | |
| CN4 | | | E40-8255-05 | FLAT CABLE CONNECTOR | | |
| CN5 | | | E40-8251-05 | FLAT CABLE CONNECTOR | | |
| CN6 | | * | E40-8202-05 | SOCKET FOR PIN ASSY | | |
| CN7 | | | E40-4763-05 | PIN ASSY | | |
| CN8 | | | E40-3247-05 | PIN ASSY | | |
| CN9 | | | E40-4762-05 | PIN ASSY | | |
| J1 | | | E63-0130-05 | PHONO JACK | | |
| E3-7 | | | J11-0809-05 | WIRE CLAMPER | | |
| L1 | | | L40-1001-31 | SMALL FIXED INDUCTOR(10UH,K) | | |
| X1 | | | L77-2190-05 | CRYSTAL RESONATOR(16.9344MHZ) | | |
| X2 | | | L78-0290-05 | RESONATOR (8MHZ) | | |
| R1 | | | RK73FB2A224J | CHIP R 220K J 1/10W | | |
| R2-5 | | | RK73FB2A683J | CHIP R 68K J 1/10W | | |
| R6 | | | RK73FB2A224J | CHIP R 220K J 1/10W | | |
| R7 | | | RK73FB2A100J | CHIP R 10 J 1/10W | | |
| R8 | | | RK73FB2A273J | CHIP R 27K J 1/10W | | |
| R9 | | | RK73FB2A153J | CHIP R 15K J 1/10W | | |
| R10, 11 | | | RK73FB2A101J | CHIP R 100 J 1/10W | | |
| R12 | | | RK73FB2A103J | CHIP R 10K J 1/10W | | |
| R13 | | | RK73FB2A152J | CHIP R 1.5K J 1/10W | | |
| R14 | | | RK73FB2A222J | CHIP R 2.2K J 1/10W | | |
| R15, 16 | | | RK73FB2A103J | CHIP R 10K J 1/10W | | |
| R17 | | | RK73FB2A564J | CHIP R 560K J 1/10W | | |
| R18, 19 | | | RK73FB2A104J | CHIP R 100K J 1/10W | | |
| R20 | | | RK73FB2A474J | CHIP R 470K J 1/10W | | |
| R21, 22 | | | RK73FB2A101J | CHIP R 100 J 1/10W | | |

L : Scandinavia K : USA P : Canada R : Mexico C : China I : Malaysia
Y : PX(Far East, Hawaii) T : Europe E : Europe G : Germany V : China(Shanghai)
Y : AAFES(Europe) X : Australia Q : Russia H : Korea M : Other Areas Δ indicates safety critical components.

* New Parts
Parts without **Parts No.** are not supplied.
Les articles non mentionnés dans le **Parts No.** ne sont pas fournis.
Teile ohne **Parts No.** werden nicht geliefert.

46

| Ref. No | Add-ress | New Parts | Parts No. | Description | Desti-nation | Re-marks |
|-----------|----------|-----------|--------------|---------------------|--------------|----------|
| R23 | | | RK73FB2A104J | CHIP R 100K J 1/10W | | |
| R24 | | | RK73FB2A103J | CHIP R 10K J 1/10W | | |
| R25 | | | RK73FB2A104J | CHIP R 100K J 1/10W | | |
| R26, 27 | | | RK73FB2A472J | CHIP R 4.7K J 1/10W | | |
| R28, 29 | | | RK73FB2A153J | CHIP R 15K J 1/10W | | |
| R30 | | | RK73FB2A104J | CHIP R 100K J 1/10W | | |
| R31 | | | RK73FB2A333J | CHIP R 33K J 1/10W | | |
| R32 | | | RK73FB2A104J | CHIP R 100K J 1/10W | | |
| R33 | | | RK73FB2A103J | CHIP R 10K J 1/10W | | |
| R34, 35 | | | RK73FB2A332J | CHIP R 3.3K J 1/10W | | |
| R36 | | | RK73FB2A105J | CHIP R 1.0M J 1/10W | | |
| R37 | | | RK73FB2A104J | CHIP R 100K J 1/10W | | |
| R38 | | | RK73FB2A472J | CHIP R 4.7K J 1/10W | | |
| R39 | | | RK73FB2A101J | CHIP R 100 J 1/10W | | |
| R40 | | | RK73FB2A681J | CHIP R 680 J 1/10W | | |
| R41 | | | RK73FB2A221J | CHIP R 220 J 1/10W | | |
| R42 | | | RK73FB2A470J | CHIP R 47 J 1/10W | | |
| R43 | | | RK73FB2A104J | CHIP R 100K J 1/10W | | |
| R44 | | | RK73FB2A472J | CHIP R 4.7K J 1/10W | | |
| R45 | | | RK73FB2A4R7J | CHIP R 4.7 J 1/10W | | |
| R46 | | | RK73FB2A101J | CHIP R 100 J 1/10W | | |
| R47, 48 | | | RK73FB2A470J | CHIP R 47 J 1/10W | | |
| R49, 50 | | | RK73FB2A621J | CHIP R 620 J 1/10W | | |
| R51, 52 | | | RK73FB2A332J | CHIP R 3.3K J 1/10W | | |
| R53, 54 | | | RK73FB2A103J | CHIP R 10K J 1/10W | | |
| R55, 56 | | | RK73FB2A101J | CHIP R 100 J 1/10W | | |
| R57, 58 | | | RK73FB2A103J | CHIP R 10K J 1/10W | | |
| R59, 60 | | | RK73FB2A132J | CHIP R 1.3K J 1/10W | | |
| R61, 62 | | | RK73FB2A912J | CHIP R 9.1K J 1/10W | | |
| R63, 64 | | | RK73FB2A512J | CHIP R 5.1K J 1/10W | | |
| R65, 66 | | | RK73FB2A362J | CHIP R 3.6K J 1/10W | | |
| R67, 68 | | | RK73FB2A102J | CHIP R 1.0K J 1/10W | | |
| R71 | | | RK73FB2A101J | CHIP R 100 J 1/10W | | |
| R72 | | | RK73FB2A471J | CHIP R 470 J 1/10W | | |
| R73 | | | RK73FB2A101J | CHIP R 100 J 1/10W | | |
| R74 | | | RK73FB2A471J | CHIP R 470 J 1/10W | | |
| R75 | | | RK73FB2A103J | CHIP R 10K J 1/10W | | |
| R76-84 | | | RK73FB2A104J | CHIP R 100K J 1/10W | | |
| R85-89 | | | RK73FB2A102J | CHIP R 1.0K J 1/10W | | |
| R90-92 | | | RK73FB2A101J | CHIP R 100 J 1/10W | | |
| R93 | | | RK73FB2A331J | CHIP R 330 J 1/10W | | |
| R94-96 | | | RK73FB2A101J | CHIP R 100 J 1/10W | | |
| R97 | | | RK73FB2A102J | CHIP R 1.0K J 1/10W | | |
| R98 | | | RK73FB2A101J | CHIP R 100 J 1/10W | | |
| R99 | | | RK73FB2A472J | CHIP R 4.7K J 1/10W | | |
| R100 | | | RK73FB2A103J | CHIP R 10K J 1/10W | | |
| R102-106 | | | RK73FB2A101J | CHIP R 100 J 1/10W | | |
| R107 | | | RK73FB2A102J | CHIP R 1.0K J 1/10W | | |
| R108, 109 | | | RK73FB2A472J | CHIP R 4.7K J 1/10W | | |
| R111 | | | RK73FB2A104J | CHIP R 100K J 1/10W | | |
| R112 | | | RK73FB2A1R0J | CHIP R 1 J 1/10W | | |
| R113, 114 | | | RK73FB2A104J | CHIP R 100K J 1/10W | | |
| R115, 116 | | | RK73FB2A1R0J | CHIP R 1 J 1/10W | | |
| R117 | | | RK73FB2A221J | CHIP R 220 J 1/10W | | |
| R118 | | | RK73FB2A101J | CHIP R 100 J 1/10W | | |

L : Scandinavia K : USA P : Canada R : Mexico C : China I : Malaysia
Y : PX(Far East, Hawaii) T : Europe E : Europe G : Germany V : China(Shanghai)
Y : AAFES(Europe) X : Australia Q : Russia H : Korea M : Other Areas Δ indicates safety critical components.

PARTS LIST

RXD-951/A700/A900N/616N/818N/919

* New Parts
Parts without **Parts No.** are not supplied.
Les articles non mentionnés dans le **Parts No.** ne sont pas fournis.
Teile ohne **Parts No.** werden nicht geliefert.

47

| Ref. No | Add-ress | New Parts | Parts No. | Description | | | Desti-nation | Re-marks |
|------------------------------------|----------|-----------|---------------|--------------------|---------|---|--------------|----------|
| R119 | | | RK73FB2A473J | CHIP R | 47K | J | 1/10W | |
| R120-127 | | | RK73FB2A220J | CHIP R | 22 | J | 1/10W | |
| R128 | | | RK73FB2A101J | CHIP R | 100 | J | 1/10W | |
| R129 | | | RK73FB2A473J | CHIP R | 47K | J | 1/10W | |
| R130 | | | RK73FB2A470J | CHIP R | 47 | J | 1/10W | I2I3I4 |
| R130 | | | RK73FB2A470J | CHIP R | 47 | J | 1/10W | M2M3M4 |
| R131 | | | RK73FB2A223J | CHIP R | 22K | J | 1/10W | |
| R132 | | | RK73FB2A123J | CHIP R | 12K | J | 1/10W | |
| R133 | | | RK73FB2A103J | CHIP R | 10K | J | 1/10W | |
| R134 | | | RK73FB2A113J | CHIP R | 11K | J | 1/10W | |
| R135 | | | RK73FB2A123J | CHIP R | 12K | J | 1/10W | |
| R136 | | | RK73FB2A102J | CHIP R | 1.0K | J | 1/10W | |
| R137 | | | RK73FB2A621J | CHIP R | 620 | J | 1/10W | |
| R138 | | | RK73FB2A682J | CHIP R | 6.8K | J | 1/10W | |
| VR1 | | | R12-3101-05 | TRIMMING POT. | | | | |
| D1-4 | | | MA111 | DIODE | | | | |
| D9 | | | UD23.9B | ZENER DIODE | | | | |
| D10, 11 | | | MA111 | DIODE | | | | |
| IC1 | | | BA5979S | ANALOGUE IC | | | | |
| IC2 | | | CXA1571M | IC(CD RF AMP) | | | | |
| IC3 | | * | CXD2585Q | MOS-IC | | | | |
| IC4 | | | PCM1717E | MOS-IC | | | | |
| IC5 | | * | MN1873223AHA | MI-COM IC | | | | |
| IC6 | | | NJM2100M | IC(OP AMPLIFIER) | | | | |
| IC7 | | | TC7SU04F | MOS-IC | | | | |
| IC8, 9 | | | TA8409S | MOS-IC | | | | |
| Q1 | | | 2SA954(L,K) | TRANSISTOR | | | | |
| Q7 | | | 2SC3940A(R,S) | TRANSISTOR | | | | |
| Q8, 9 | | | DTC124EUA | DIGITAL TRANSISTOR | | | | |
| Q8, 9 | | | UN5212 | DIGITAL TRANSISTOR | | | | |
| Q10 | | | 2SB764(E,F) | TRANSISTOR | | | | |
| Q11 | | | DTC124EUA | DIGITAL TRANSISTOR | | | | |
| Q11 | | | UN5212 | DIGITAL TRANSISTOR | | | | |
| A1 | | | W02-1114-05 | OSCILLATING MODULE | | | | I2I3I4 |
| A1 | | | W02-1114-05 | OSCILLATING MODULE | | | | M2M3M4 |
| CD MECHA UNIT (X32-359X-XX) | | | | | | | | |
| C1 | | | CE04KW1A101M | ELECTRO | 100UF | | 10WV | |
| C2 | | | CE04KW0J331M | ELECTRO | 330UF | | 6.3WV | |
| C3 | | | CE04KW1A101M | ELECTRO | 100UF | | 10WV | |
| C4 | | | CC45FCH1H680J | CERAMIC | 68PF | J | | |
| C5 | | | CF92FV1H474J | MF-C | 0.47UF | J | | |
| C6 | | | CK45FF1H103Z | CERAMIC | 0.010UF | Z | | |
| C7 | | | CQ93FMG1H332J | MYLAR | 3300PF | J | | |
| C8 | | | CQ93FMG1H152J | MYLAR | 1500PF | J | | |
| C9 | | | CQ93FMG1H473J | MYLAR | 0.047UF | J | | |
| C10 | | | CK45FF1H103Z | CERAMIC | 0.010UF | Z | | |
| C11 | | | CE04KW0J331M | ELECTRO | 330UF | | 6.3WV | |
| C12 | | | CK45FF1H103Z | CERAMIC | 0.010UF | Z | | |
| C13 | | | CE04KW0J331M | ELECTRO | 330UF | | 6.3WV | |
| C14 | | | CF92FV1H104J | MF-C | 0.10UF | J | | |
| C15 | | | CE04KW1A101M | ELECTRO | 100UF | | 10WV | |
| C16 | | | CK45FB1H471K | CERAMIC | 470PF | K | | |
| C17 | | | CE04HW1E4R7M | NP-ELEC | 4.7UF | | 25WV | |
| C18 | | | CC45FSL1H221J | CERAMIC | 220PF | J | | |

L: Scandinavia K: USA P: Canada R: Mexico C: China I: Malaysia
Y: PX(Far East, Hawaii) T: Europe E: Europe G: Germany V: China(Shanghai)
Y: AAFES(Europe) X: Australia Q: Russia H: Korea M: Other Areas ▲ indicates safety critical components.

* New Parts
Parts without **Parts No.** are not supplied.
Les articles non mentionnés dans le **Parts No.** ne sont pas fournis.
Teile ohne **Parts No.** werden nicht geliefert.

48

| Ref. No | Add-ress | New Parts | Parts No. | Description | | | Desti-nation | Re-marks |
|---------|----------|-----------|---------------|-------------------------------|---------|---|--------------|----------|
| C19, 20 | | | CC45FSL1H101J | CERAMIC | 100PF | J | | |
| C21 | | | CE04KW1A101M | ELECTRO | 100UF | | 10WV | |
| C22 | | | CQ93FMG1H333J | MYLAR | 0.033UF | J | | |
| C23, 24 | | | CC45FCH1H560J | CERAMIC | 56PF | J | | E2Q1 |
| C23, 24 | | | CC45FCH1H560J | CERAMIC | 56PF | J | | I1X1E1 |
| C23, 24 | | | CC45FCH1H560J | CERAMIC | 56PF | J | | Y1M1M5 |
| C25 | | | CC45FCH1H100D | CERAMIC | 10PF | D | | E2Q1 |
| C25 | | | CC45FCH1H100D | CERAMIC | 10PF | D | | I1X1E1 |
| C25 | | | CC45FCH1H100D | CERAMIC | 10PF | D | | Y1M1M5 |
| C30 | | | CF92FV1H224J | MF-C | 0.22UF | J | | |
| C31, 32 | | | CQ93FMG1H102J | MYLAR | 1000PF | J | | |
| C37, 38 | | | CQ93FMG1H222J | MYLAR | 2200PF | J | | E2Q1 |
| C37, 38 | | | CQ93FMG1H222J | MYLAR | 2200PF | J | | I1X1E1 |
| C37, 38 | | | CQ93FMG1H222J | MYLAR | 2200PF | J | | Y1M1M5 |
| C37, 40 | | | CQ93FMG1H391K | MYLAR | 390PF | K | | E2Q1 |
| C39, 40 | | | CQ93FMG1H391K | MYLAR | 390PF | K | | I1X1E1 |
| C39, 40 | | | CQ93FMG1H391K | MYLAR | 390PF | K | | Y1M1M5 |
| C41, 42 | | | CQ93FMG1H103J | MYLAR | 0.010UF | J | | |
| C43, 44 | | | CE04KW1H2R2M | ELECTRO | 2.2UF | | 50WV | |
| C45-47 | | | CK45FF1H103Z | CERAMIC | 0.010UF | Z | | |
| C48 | | | CK45FB1H102K | CERAMIC | 1000PF | K | | |
| C49 | | | CC45FSL1H151J | CERAMIC | 150PF | J | | |
| C50 | | | CK45FB1H681K | CERAMIC | 680PF | K | | |
| C51 | | | CE04KW1H100M | ELECTRO | 10UF | | 50WV | E2Q1 |
| C51 | | | CE04KW1H100M | ELECTRO | 10UF | | 50WV | I1X1E1 |
| C51 | | | CE04KW1H100M | ELECTRO | 10UF | | 50WV | Y1M1M5 |
| C62 | | | CE04KW1A101M | ELECTRO | 100UF | | 10WV | |
| C63, 64 | | | CE04HW1H010M | NP-ELEC | 1.0UF | | 50WV | |
| CN1 | | | E40-8151-05 | FLAT CABLE CONNECTOR | | | | |
| CN2 | | | E40-4377-05 | PIN ASSY | | | | |
| CN3 | | | E40-4763-05 | PIN ASSY | | | | |
| CN4 | | | E40-3247-05 | PIN ASSY | | | | |
| CN5 | | | E40-4762-05 | PIN ASSY | | | | |
| CN6 | | | E40-8255-05 | FLAT CABLE CONNECTOR | | | | |
| CN7 | | | E40-4979-05 | PIN ASSY | | | | |
| E2-6 | | | J11-0809-05 | WIRE CLAMPER | | | | |
| L1 | | | L40-1001-17 | SMALL FIXED INDUCTOR(10UH,K) | | | | |
| X1 | | | L77-2190-05 | CRYSTAL RESONATOR(16.9344MHZ) | | | | E2Q1 |
| X1 | | | L77-2190-05 | CRYSTAL RESONATOR(16.9344MHZ) | | | | I1X1E1 |
| X1 | | | L77-2190-05 | CRYSTAL RESONATOR(16.9344MHZ) | | | | Y1M1M5 |
| X1 | | | L78-0299-05 | RESONATOR (16.93M) | | | | E3 |
| X1 | | | L78-0299-05 | RESONATOR (16.93M) | | | | K1P1K2 |
| X1 | | | L78-0299-05 | RESONATOR (16.93M) | | | | P2X2Q2 |
| VR1 | | | R12-3101-05 | TRIMMING POT. | | | | |
| D1-6 | | | HSS104A | DIODE | | | | |
| D1-6 | | | 1SS133 | DIODE | | | | |
| IC1 | | | CXA1571M | ANALOGUE IC | | | | |
| IC2 | | | CXD2587Q | MOS-IC | | | | |
| IC3 | | | BA5979S | ANALOGUE IC | | | | |
| IC4, 5 | | | TA8409S | MOS-IC | | | | |
| Q1 | | | 2SA954(L,K) | TRANSISTOR | | | | |
| Q6, 7 | | | DTC124ESA | DIGITAL TRANSISTOR | | | | |

L: Scandinavia K: USA P: Canada R: Mexico C: China I: Malaysia
Y: PX(Far East, Hawaii) T: Europe E: Europe G: Germany V: China(Shanghai)
Y: AAFES(Europe) X: Australia Q: Russia H: Korea M: Other Areas ▲ indicates safety critical components.

PARTS LIST

RXD-951/A700/A900/V616/V818/V919

* New Parts
Parts without **Parts No.** are not supplied.
Les articles non mentionnés dans le **Parts No.** ne sont pas fournis.
Teile ohne **Parts No.** werden nicht geliefert.

49

| Ref. No | Add-ress | New Parts | Parts No. | Description | Desti-nation | Re-marks |
|-----------------------------------|--------------------------------|-----------|---|--|--------------------------|----------|
| Q6, 7 Q8 | | | UN4212 25B764(E,F) | DIGITAL TRANSISTOR TRANSISTOR | | |
| A1 A1 A1 | | | W02-1114-05 W02-1114-05 W02-1114-05 | OSCILLATING MODULE OSCILLATING MODULE OSCILLATING MODULE | E2Q1 I1X1E1 Y1M1M5 | |
| CD MECHANISM (D40-1590-08) | | | | | | |
| 101 102 | 3B 3A | | A10-3119-08 A15-0089-08 | CHASSIS (MAIN) FRAME (MD-B) | | |
| 105 107 108 109 110 | 2A 2B 2A 2B 2A | | D10-3538-08 D10-3459-08 D10-3638-08 D10-3496-18 D10-3659-04 | SLIDER (LIFT) LEVER (LOCK) LEVER (BRAKE) FRICTION ARM ASSY FEED SHAFT | | |
| 113 114 115 117 118 | 1A 2B 2B 3A 1A | | D13-1599-08 D13-1600-08 D13-1601-08 D13-1603-08 D13-1604-08 | GEAR (IDLER) GEAR (LOAD) GEAR (CENTER) CAM GEAR (UP/DOWN) GEAR (HELICAL) | | |
| 119 120 122 123 125 | 2A 2B, 3B 2B 2B 2B | | D13-1765-03 D14-0361-08 D15-0366-08 D16-0363-08 D21-1762-08 | GEAR ROLLER (TRAY) PULLEY (LOAD) DRIVE BELT SHAFT (PULLEY) | | |
| 126 | 2A | | D13-1763-04 | GEAR (MIDDLE) | | |
| 132 133 134 135 136 | 2A, 2B 3B 2A 3A 3A | | E35-0811-08 E35-1184-08 E35-1185-08 E35-1186-08 E35-1187-08 | 3P WIRE 6P WIRE 6P FLAT WIRE 6P WIRE (TU-D) 16P FLAT CABLE | | |
| 137 140 141 143 | 3A 1A 2A 2A | | E40-3264-05 F07-0773-08 N19-1441-08 N19-1435-05 | CONNECTOR COVER (TRAY) WASHER FLAT WASHER | | |
| 145 146 148 149 150 | 3A 3A 3A 2B 2A | | G01-3806-18 G01-3807-18 G01-3663-08 G01-3664-08 G01-3931-08 | SPRING (MD-H) SPRING (MD-G) SPRING (CAM) SPRING (LOCK) SPRING (BRAKE) | | |
| 151 152 153 | 2A 1A, 1B 3B | | G01-3768-08 G16-0821-04 G16-0856-08 | SPRING (LIFT) SHEET (TRAY) FILAMENT TAPE | | |
| 155 156 157 158 159 | 2A 2B 1B 2B 2B, 3B | | J02-1133-08 J11-0813-08 J19-3758-08 J19-3660-08 J19-3661-08 | INSULATOR CLAMPER BRACKET (CLAMP) BRACKET (GEAR) BRACKET (TRAY) | | |
| 160 161 162 163 | 3B 1A 1A 2A | | J61-0081-05 J99-0541-08 J99-0542-08 J90-0844-03 | SK BINDER SKB-100 TRAY (SLIDE) TRAY (ROTARY) GUIDE (RAIL) | | |
| L M | | | N09-2658-08 N09-3053-08 | SCREW SCREW | | |

L : Scandinavia K : USA P : Canada R : Mexico C : China I : Malaysia
Y : PX(Far East, Hawaii) T : Europe E : Europe G : Germany V : China(Shanghai)
Y : AAFES(Europe) X : Australia Q : Russia H : Korea M : Other Areas indicates safety critical components.

* New Parts
Parts without **Parts No.** are not supplied.
Les articles non mentionnés dans le **Parts No.** ne sont pas fournis.
Teile ohne **Parts No.** werden nicht geliefert.

50

| Ref. No | Add-ress | New Parts | Parts No. | Description | Desti-nation | Re-marks |
|---|--|-----------|---|--|--------------|--------------|
| N P Q | | | N09-3107-08 N09-3140-08 N09-3141-08 | SCREW SCREW SCREW | | |
| 165 166 167 | 2B 1A, 2A 3A | | S33-2061-05 S64-0025-08 S74-0065-05 | LEVER SWITCH LEVER SWITCH LEAF SWITCH | | MXS00621NLBO |
| 171 DM FM LM PU | 1B 3A 3A 3B 3A | | T99-0544-05 A11-1114-08 T42-0872-08 T42-0682-08 T25-0050-05 | MAGNET T T CHASSIS ASSY FEED MOTOR ASSY MOTOR PULLEY ASSY PICKUP (KCP1H) | | |
| RTM | 2B | | T42-0683-08 | MOTOR WORM ASSY | | |
| CASSETTE MECHANISM (D40-1588-08) | | | | | | |
| 401 402 403 404 405 | 1D 2C 1E 2E 1C | | A10-3340-08 A10-3350-08 A11-1119-08 D01-0201-08 D01-0202-08 | CHASSIS HEAD CHASSIS MECHA BASE ASSY FLYWHEEL ASSY (R) FLYWHEEL ASSY (L) | | |
| 406 407 408 409 410 | 2D 1C 2E 2E 2D | | D10-3711-08 D10-3712-08 D10-3717-08 D10-3718-08 D13-1809-08 | INTER LOCK ARM (BR)B INTER LOCK ARM (BL)A TRIGGER ARM BRAKE ARM CAM GEAR | | |
| 411 412 413 414 415 | 1E 1D 1C, 2C 1C, 2C 1C, 2E | | D13-1810-08 D13-1811-08 D13-1813-08 D13-1814-08 D13-1812-08 | IDLER GEAR (REM) IDLER GEAR RETURN GEAR ROTATOR REEL GEAR | | |
| 416 417 418 419 420 | 2D 2C0 1D 2E 2E | | D14-0387-08 D14-0388-08 D15-0400-08 D16-0716-08 D16-0717-08 | PINCH ASSY (R) PINCH ASSY (L) PULLEY GEAR DRIVE BELT CLUTCH BELT (W) | | |
| 421 422 423 424 425 | 1D 2C 2D 1D, 1E 1E | | D19-0306-08 D23-0329-08 D23-0330-08 B30-2409-08 E35-2172-08 | CLUTCH ASSY HOUSING ASSY (L) HOUSING ASSY (R) LED 15P FLAT RIBBON WIRE | | |
| 427 429 430 431 432 | 1E 1C, 2D 2E 1D 2C | | E35-1818-08 G01-3709-08 G01-3990-08 G01-3991-08 G01-3992-08 | MOTOR WIRE B.T SPRING TRIGGER ARM SP CLUTCH ARM SP HERD RETURN SP | | |
| 433 434 435 436 437 | 2D 1C, 2C 1C, 2C 1C 1C, 2D | | G01-3993-08 G01-3994-08 G01-3995-08 G01-3996-08 G01-3997-08 | HERD CHASSIS SP RETURN GEAR SP EARTH SP INTER LOCK SP (BL) INTER LOCK SP (C) | | |
| 438 439 440 441 442 | 2E 2D 1D 1C, 2C 1C, 2C | | G01-3998-08 G01-3999-08 G02-0913-08 G02-1623-08 G11-2100-08 | BRAKE ARM SP INTER LOCK SP (BR) PACK SP AZIMUTH PLATE HEAD WIRE CLAMP | | |

L : Scandinavia K : USA P : Canada R : Mexico C : China I : Malaysia
Y : PX(Far East, Hawaii) T : Europe E : Europe G : Germany V : China(Shanghai)
Y : AAFES(Europe) X : Australia Q : Russia H : Korea M : Other Areas indicates safety critical components.

HOW TO READ THE PARTS LIST

ABBREVIATION OF MODEL AND MASS PRODUCTION'S DESTINATIONS

| MODEL | ABB. | Australia | Canada | China | England | Europe | Germany | Korea | Malaysia |
|-----------|------|-----------|--------|-------|---------|--------|---------|-------|----------|
| RXD-A900 | - | - | P1 | - | - | - | - | - | - |
| RXD-951 | - | X1 | - | - | - | E1 | - | - | I1 |
| RXD-951E | - | - | - | - | - | E2 | - | - | - |
| RXD-951W | - | - | - | - | - | - | - | - | - |
| RXD-A700 | - | X2 | P2 | - | - | - | - | - | - |
| RXD-A700E | - | - | - | - | - | E3 | - | - | - |
| RXD-A700W | - | - | - | - | - | - | - | - | - |
| RXD-V616 | - | - | - | - | - | - | - | - | I4 |
| RXD-V818 | - | - | - | - | - | - | - | - | I3 |
| RXD-V919 | - | - | - | - | - | - | - | - | I2 |

| MODEL | ABB. | Mexico | PX/AAFES | Russia | Scandinavia | Shanghai | USA | Other area |
|-----------|------|--------|----------|--------|-------------|----------|-----|------------|
| RXD-A900 | - | - | - | - | - | - | K1 | - |
| RXD-951 | - | - | Y1 | Q1 | - | - | - | M1 |
| RXD-951 | - | - | - | - | - | - | - | M5 |
| RXD-951E | - | - | - | - | - | - | - | - |
| RXD-951W | - | - | - | - | - | - | - | - |
| RXD-A700 | - | - | - | - | - | - | K2 | - |
| RXD-A700E | - | - | - | - | - | - | - | - |
| RXD-A700W | - | - | - | Q2 | - | - | - | - |
| RXD-V616 | - | - | - | - | - | V4 | - | M4 |
| RXD-V818 | - | - | - | - | - | V3 | - | M3 |
| RXD-V919 | - | - | - | - | - | V2 | - | M2 |

* New Parts

Parts without **Parts No.** are not supplied.

Les articles non mentionnés dans le **Parts No.** ne sont pas fournis.

Teile ohne **Parts No.** werden nicht geliefert.

51

| Ref. No | Add-ress | New Parts | Parts No. | Description | Desti-nation | Re-marks |
|---------|----------|-----------|--------------|----------------------------|--------------|----------|
| 443 | 1E | | J19-5929-08 | CABLE HOLDER | | |
| 444 | 2C | | E35-1819-08 | HEAD WIRE | | |
| 445 | 2C | | E35-1821-08 | HEAD WIRE | | |
| 446 | 2D | | J21-6473-08 | H/D RETURN PLATE | | |
| 447 | 1C, 2C | | J21-6474-08 | HEAD PLATE | | |
| 450 | 1C, 2C | | J31-0877-08 | ROTATOR COLLAR | | |
| 451 | 1C, 2C | | J39-0200-08 | HEAD BASE | | |
| 452 | 1C, 2D | | J42-0183-08 | REEL BUSH | | |
| 453 | 2E | | J69-0086-08 | FILAMENT TAPE | | |
| 454 | 2D | | J90-0849-08 | CASSETTE GUIDE | | |
| 455 | 1C, 2D | | D19-0270-08 | REEL CAP (A) | | |
| 473 | 1D, 1E | | RD14BB2C222J | RESISTOR 2.2ohm | | |
| 475 | 1E | | S74-0033-08 | REC SWITCH | | |
| 476 | 1E | | S74-0042-08 | PLAY SWITCH | | |
| 479 | 1E | | T42-0919-08 | MOTOR ASSY | | |
| 480 | 1E | | T94-0239-08 | SOLENOID ASSY | | |
| 481 | 1E | | T95-0154-08 | PHOTO INTERRUPTER | | |
| CA | | | N09-3372-08 | HEAD SCREW | | |
| CB | | | N09-1497-08 | TAP TITE SCREW 2X5 | | |
| CC | | | N09-3384-08 | TAPPING SCREW 1.7X8 | | |
| CD | | | N09-2877-08 | TAPTITE SCREW 2X4 | | |
| CE | | | N09-2900-08 | BIND TAPPING SCREW 2X6 | | |
| CF | | | N35-2604-08 | BINDING SCREW 2.6X4 | | |
| CG | | | N09-3112-08 | AZIMUTH SCREW | | |
| CH | | | N09-3371-08 | SCREW (CAM) | | |
| CJ | | | N19-1439-08 | POLY MASHER 4X7X.04CUT | | |
| CK | | | N19-1355-08 | NYLON WASHER 1.9X5X0.5 | | |
| CL | | | N19-1354-08 | NYLON WASHER 2.19X5.5X0.5 | | |
| CM | | | N19-1387-08 | TEFLON WASHER 4.1X5.5X0.25 | | |
| CN | | | N19-1384-08 | POLY WASHER 2.1X5X0.25 | | |
| CP | | | N19-1388-08 | POLY WASHER 1.57X4X0.5CUT | | |
| CQ | | | N19-1385-08 | POLY WASHER 2.3X4X0.25 | | |
| CR | | | N09-3366-08 | SCREW (INTER LOCK) | | |
| CS | | | N19-1316-08 | POLY WASHER 1.8X6X0.5CUT | | |
| CT | | | N19-1288-08 | POLY WASHER 1.57X5X0.5CUT | | |
| CU | | | N09-0832-08 | TAPTITE SCREW 2.6X6 | | |
| PH | 1C | | T31-0077-08 | POTATION HEAD | | |
| RPEH | 2C | | T34-0352-08 | ROTATION HEAD (RP) KC9142 | | |

L : Scandinavia

K : USA

P : Canada

R : Mexico

C : China

I : Malaysia

Y : PX(Far East, Hawaii)

T : Europe

E : Europe

G : Germany

V : China(Shanghai)

Y : AAFES(Europe)

X : Australia

Q : Russia

H : Korea

M : Other Areas

▲ indicates safety critical components.

PARTS LIST

RXD-951/A700/A900/V616/V818/V919

SPECIFICATIONS

RXD-951/A900

Main unit

[Amplifier section]

Rated output power during STEREO operation
(U.S.A. and Canada)

100 watts per channel minimum RMS, both channels driven, at 6 Ω
form 14 Hz to 14 kHz with no more than 0.9 % total harmonic distortion. (FTC)

| | |
|--|----------------|
| (Europe, U.K. and Russia) | |
| (DIN) 1 kHz, 0.7 % T.H.D., 6 Ω | |
| Two channels driven | 100 W + 100 W |
| (Other countries) | |
| 1 kHz, 1.0 % T.H.D., 6 Ω | |
| Two channels driven | 115 W + 115 W |
| Effective output power during STEREO operation (Except for U.S.A. and Canada) | |
| FRONT (1 kHz, 10 % T.H.D., 6 Ω) | 135 W + 135 W |
| Effective output power during SURROUND operation (Except for U.S.A. and Canada) | |
| FRONT (1 kHz, 10 % T.H.D., 6 Ω) | |
| One channel driven | 100 W + 100 W |
| SUB WOOFER (60 Hz, 10 % T.H.D., 12 Ω // 12 Ω) | |
| One channel driven | 100 W + 100 W |
| CENTER (1 kHz, 10 % T.H.D., 6 Ω) | |
| One channel driven | 100 W |
| SURROUND (1 kHz, 10 % T.H.D., 12 Ω // 12 Ω) | |
| One channel driven | 100 W + 100 W |
| Signal to noise ratio | |
| AUX | 90 dB |
| Input sensitivity / impedance | |
| AUX | 270 mV / 47 kΩ |
| MIC 1, 2 (Except for some areas) | 1.6 mV / 22 kΩ |
| Output level / impedance | |
| AUX (Except for U.S.A. and Canada) | 1.2 V / 1 kΩ |

[Tuner section]

| | |
|---|---------------------|
| FM tuner section | |
| Tuning frequency range | 87.5 MHz ~ 108 MHz |
| (For Russia) | 65.0 MHz ~ 74.0 MHz |
| MW (AM) Tuner section | |
| Tuning frequency range (Europe, U.K. and Russia) | 531 kHz ~ 1,602 kHz |
| (Other countries) | |
| 9 kHz step | 531 kHz ~ 1,602 kHz |
| 10 kHz step | 530 kHz ~ 1,610 kHz |
| (U.S.A. and Canada) | 530 kHz ~ 1,700 kHz |
| LW tuner section (For the United Kingdom and Russia) | |
| Tuning frequency range | 153 kHz ~ 279 kHz |

[Cassette deck section]

| | |
|--|--|
| Track | 4-track, 2-channel stereo |
| Recording system | AC bias system (Frequency: 105 kHz) |
| Heads | |
| A deck Playback head | 1 |
| B deck Playback / recording head | 1 |
| Erasing head | 1 |
| Motors | 2 |
| Fast winding time | Approx. 115 seconds (C-60 tape) |

[CD player section]

| | |
|----------------------|--|
| Laser | Semiconductor laser |
| Wow & Flutter | Less than unmeasurable Limit (Except for U.S.A. and Canada) |
| Digital output | - 15 dBm ~ - 21 dBm (Wave length 660 nm) |

[General]

| | |
|-------------------------|--|
| Power consumption | 200 W |
| Dimensions | W: 280 mm (11") H: 332 mm (13-1/16") D: 350 mm (13-3/4") |
| Weight (net) | 11.8kg (26.0 lb) |

RXD-A700

Main unit

[Amplifier section]

Rated output power during STEREO operation
(U.S.A. and Canada)

70 watts per channel minimum RMS, both channels driven, at 6 Ω
form 40 Hz to 14 kHz with no more than 0.9 % total harmonic distortion.

| | |
|--|----------------|
| (Other countries) | |
| 1 kHz, 1.0 % T.H.D., 6 Ω | |
| Two channels driven | 85 W + 85 W |
| Effective output power during STEREO operation (Except for U.S.A. and Canada) | |
| FRONT (1 kHz, 10 % T.H.D., 6 Ω) | 100 W + 100 W |
| Effective output power during SURROUND operation (Except for U.S.A. and Canada) | |
| FRONT (1 kHz, 10 % T.H.D., 6 Ω) | |
| One channel driven | 70 W + 70 W |
| CENTER (1 kHz, 10 % T.H.D., 6 Ω) | |
| One channel driven | 30 W |
| SURROUND (1 kHz, 10 % T.H.D., 12 Ω // 12 Ω) | |
| One channel driven | 30 W + 30 W |
| Signal to noise ratio | |
| AUX | 90 dB |
| Input sensitivity / impedance | |
| AUX | 240 mV / 47 kΩ |
| Output level / impedance | |
| AUX (Except for U.S.A. and Canada) | 1.2 V / 1 kΩ |
| SUPER WOOFER PREOUT | 1.8 V / 600 Ω |

[Tuner section]

| | |
|---|---------------------|
| FM tuner section | |
| Tuning frequency range | 87.5 MHz ~ 108 MHz |
| (For Russia) | 65.0 MHz ~ 74.0 MHz |
| MW (AM) Tuner section | |
| Tuning frequency range (Europe, U.K. and Russia) | 531 kHz ~ 1,602 kHz |
| (Other countries) | |
| 9 kHz step | 531 kHz ~ 1,602 kHz |
| 10 kHz step | 530 kHz ~ 1,610 kHz |
| (U.S.A. and Canada) | 530 kHz ~ 1,700 kHz |
| LW tuner section (For the United Kingdom and Russia) | |
| Tuning frequency range | 153 kHz ~ 279 kHz |

[Cassette deck section]

| | |
|--|--|
| Track | 4-track, 2-channel stereo |
| Recording system | AC bias system (Frequency: 105 kHz) |
| Heads | |
| A deck Playback head | 1 |
| B deck Playback / recording head | 1 |
| Erasing head | 1 |
| Motors | 2 |
| Fast winding time | Approx. 115 seconds (C-60 tape) |

[CD player section]

| | |
|----------------------|--|
| Laser | Semiconductor laser |
| Wow & Flutter | Less than unmeasurable Limit (Except for U.S.A. and Canada) |
| Digital output | - 15 dBm ~ - 21 dBm (Wave length 660 nm) |

[General]

| | |
|-------------------------|--|
| Power consumption | 190 W |
| Dimensions | W: 280 mm (11") H: 332 mm (13-1/16") D: 350 mm (13-3/4") |
| Weight (net) | 11.7kg (25.7 lb) |



1. KENWOOD follows a policy of continuous advancements in development. For this reason specifications may be changed without notice.
2. Sufficient performance may not be possible at very low temperatures (0°C or less).

SPECIFICATIONS

RXD-V919/V818

Main unit

[Amplifier section]

| | |
|--|---------------|
| Rated output power during STEREO operation | |
| 1 kHz, 1.0 % T.H.D., 6 Ω | |
| Two channels driven | 115 W + 115 W |
| Effective output power during STEREO operation | |
| 1 kHz, 10 % T.H.D., 6 Ω | |
| Two channels driven | 135 W + 135 W |
| Effective output power during SURROUND operation | |
| (For only XD-V919) | |
| FRONT (1 kHz, 10 % T.H.D., 6 Ω) | |
| One channel driven | 100 W + 100 W |
| SUB WOOFER (60 Hz, 10 % T.H.D., 12 Ω / 12 Ω) | |
| One channel driven | 100 W + 100 W |
| CENTER (1 kHz, 10 % T.H.D., 6 Ω) | |
| One channel driven | 100 W |
| SURROUND (1 kHz, 10 % T.H.D., 12 Ω / 12 Ω) | |
| One channel driven | 100 W + 100 W |

| | |
|-------------------------------|----------------|
| Signal to noise ratio | |
| AUX | 90 dB |
| Input sensitivity / impedance | |
| AUX | 270 mV / 47 kΩ |
| Output level / impedance | |
| AUX | 1.2 V / 1 kΩ |

[Tuner section]

| | |
|------------------------------|---------------------|
| FM tuner section | |
| Tuning frequency range | 87.5 MHz ~ 108 MHz |
| MW (AM) Tuner section | |
| Tuning frequency range | |
| 9 kHz step | 531 kHz ~ 1,602 kHz |
| 10 kHz step | 530 kHz ~ 1,610 kHz |

[Cassette deck section]

| | |
|--|--|
| Track | 4-track, 2-channel stereo |
| Recording system | AC bias system (Frequency: 105 kHz) |
| Heads | |
| A deck Playback head | 1 |
| B deck Playback / recording head | 1 |
| Erasing head | 1 |
| Motors | 2 |
| Fast winding time | Approx. 115 seconds (C-60 tape) |

[CD player section]

| | |
|----------------------|---|
| Laser | Semiconductor laser |
| Wow & Flutter | Less than unmeasurable Limit |
| Digital output | - 15 dBm ~ - 21 dBm (Wave length 660 nm) |

[General]

| | |
|-----------------------------------|--|
| Power consumption (XD-V919) | 230 W |
| (XD-V818) | 210 W |
| Dimensions | W: 280 mm (11") H: 332 mm (13-1/16") D: 350 mm (13-3/4") |
| Weight (net) | 11.8 kg (26.0 lb) |

RXD-V616

Main unit

[Amplifier section]

| | |
|--|----------------|
| Rated output power during STEREO operation | |
| 1 kHz, 1.0 % T.H.D., 6 Ω | 85 W + 85 W |
| Effective output power during STEREO operation | |
| 1 kHz, 10 % T.H.D., 6 Ω | 100 W + 100 W |
| Signal to noise ratio | |
| AUX | 90 dB |
| Input sensitivity / impedance | |
| AUX | 240 mV / 47 kΩ |
| Output level / impedance | |
| AUX | 1.2 V / 1 kΩ |
| SUPER WOOFER PRE OUT | 1.8 V / 600 Ω |

[Tuner section]

| | |
|------------------------------|---------------------|
| FM tuner section | |
| Tuning frequency range | 87.5 MHz ~ 108 MHz |
| MW (AM) Tuner section | |
| Tuning frequency range | |
| 9 kHz step | 531 kHz ~ 1,602 kHz |
| 10 kHz step | 530 kHz ~ 1,610 kHz |

[Cassette deck section]

| | |
|--|--|
| Track | 4-track, 2-channel stereo |
| Recording system | AC bias system (Frequency: 105 kHz) |
| Heads | |
| A deck Playback head | 1 |
| B deck Playback / recording head | 1 |
| Erasing head | 1 |
| Motors | 2 |
| Fast winding time | Approx. 115 seconds (C-60 tape) |

[CD player section]

| | |
|----------------------|---|
| Laser | Semiconductor laser |
| Wow & Flutter | Less than unmeasurable Limit |
| Digital output | - 15 dBm ~ - 21 dBm (Wave length 660 nm) |

[General]

| | |
|-------------------------|--|
| Power consumption | 200 W |
| Dimensions | W: 280 mm (11") H: 332 mm (13-1/16") D: 350 mm (13-3/4") |
| Weight (net) | 11.7kg (25.7 lb) |



1. KENWOOD follows a policy of continuous advancements in development. For this reason specifications may be changed without notice.
2. Sufficient performance may not be possible at very low temperatures (0°C or less).

RXD-951/A700/A900/V616/V818/V919

Note:

Component and circuit are subject to modification to insure best operation under differing local conditions. This manual is based on Europe (E) standard, and provides information on regional circuit modification through use of alternate schematic diagrams, and information on regional component variations through use of parts list.

KENWOOD CORPORATION

14-6, Dogenzaka 1-chome, Shibuya-ku, Tokyo, 150-8501 Japan

KENWOOD SERVICE CORPORATION

P.O. BOX 22745, 2201 East Dominguez St., Long Beach, CA 90801-5745, U.S.A.

KENWOOD ELECTRONICS CANADA INC.

6070 Kestrel Road, Mississauga, Ontario, Canada L5T 1S8

KENWOOD ELECTRONICS LATIN AMERICA S.A.

P.O. BOX 55-2791, Piso 6 plaza Chase, Cl. 47 y Aquilino de la Guardia Panama, Republic de Panama

KENWOOD ELECTRONICS BRASIL LTDA.

Av Indianópolis, 628, 04062-001 Planalto Paullista São Paulo-SP-Brasil

KENWOOD ELECTRONICS U.K. LIMITED

KENWOOD House, Dwight Road, Watford, Herts., WD1 8EB., United Kingdom

KENWOOD ELECTRONICS BELGUM N.V.

Meachelsesteenweg 418, B-1930 Zaventem, Belgium

KENWOOD ELECTRONICS DEUTSCHLAND GMBH

Rembrücker Str. 15, 63150 Heusenstamm, Germany

KENWOOD ELECTRONICS FRANCE S.A.

13 Boulevard Ney, 75018 Paris, France

KENWOOD ELECTRONICS ITALIA S.p.A.

Via G. Sirtori, 7/9 20129, Milano, Italy

KENWOOD IBÉRICA S.A.

Bolivia, 239-08020 Barcelona, Spain

KENWOOD ELECTRONICS AUSTRALIA PTY. LTD.

(A.C.N. 001499 074)

P.O. Box 504, 8 Figtree Drive, Australia Centre, Homebush, N.S.W. 2140, Australia

KENWOOD & LEE ELECTRONICS, LTD.

Unit 3712-3724, Level 37, Tower 1, Metroplaza, 223 Hing Fong Road, Kwai Fong N.T., Hong Kong

KENWOOD ELECTRONICS GULF FZE

P.O. Box 61318, Jebel Ali, Dubai, U.A.E.

KENWOOD ELECTRONICS SINGAPORE PTE LTD.

No. 1 Genting Lane #02-02, KENWOOD Building, Singapore, 349544

KENWOOD ELECTRONICS (MALAYSIA) SDN BHD.

#4.01 Level 4, Wisma Academy Lot 4A, Jalan 19/1 46300 Petaling Jaya Selangor Darul Ehsan Malaysia

KENWOOD ELECTRONICS (THAILAND) CO., LTD.

573/111 Soi Ramkhamhaeng 39, Ramkhamhaeng Road, Wangthonglang, Bangkok, Bangkok 10301 Thailand