

MINI HiFi COMPONENT SYSTEM

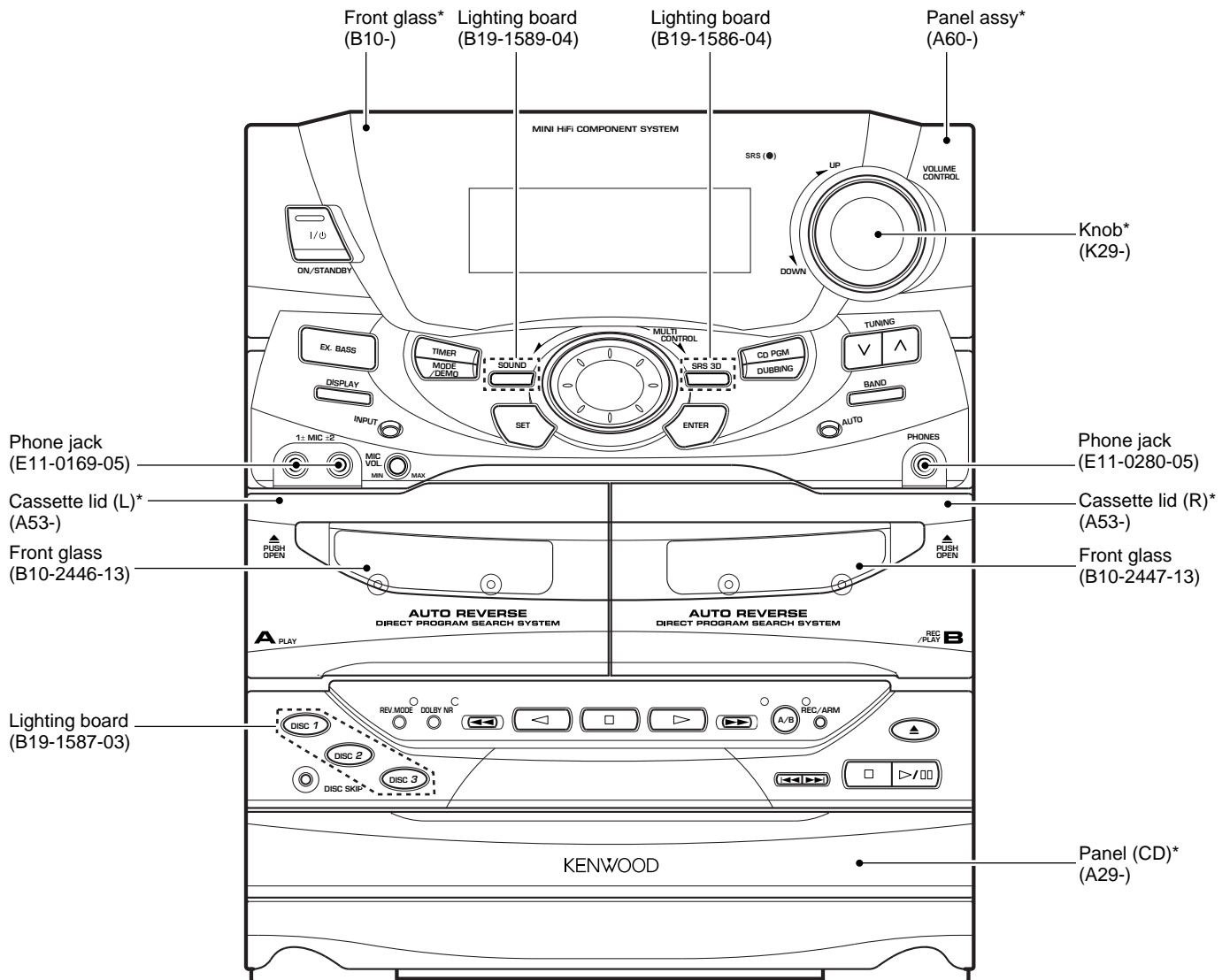
RXD-501/501E/501W/551/551E/551W/571S/A5/
701/701E/701W/751/751E/751W/771S/A8

SERVICE MANUAL

(XD-501~A8)**

KENWOOD

© 1998-3/B51-5420-00 (K/K) 3661



**Refer to page 2 if you want to know system configuration.

* Refer to parts list on page 58.

In compliance with Federal Regulations, following are reproductions of labels on, or inside the product relating to laser product safety.

Refer to RXD-500/700 (B51-5300-00), If you require TUNER preset frequency in detail.

KENWOOD-Crop. certifies this equipment conforms to DHHS Regulations No. 21 DFR 1040. 10, Chapter 1, Subchapter J.

DANGER : Laser radiation when open and interlock defeated. AVOID DIRECT EXPOSURE TO BEAM


CONTENTS / ACCESSORIES

Contents

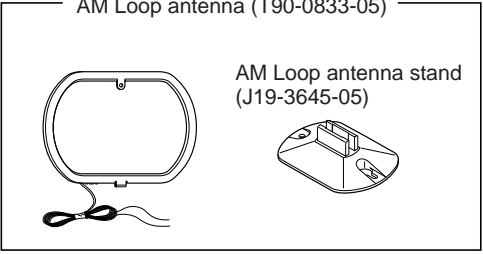
| | | | |
|------------------------------|----|-------------------------|------------|
| CONTENTS / ACCESSORIES | 2 | WIRING DIAGRAM | 17 |
| EXTERNAL VIEW | 3 | PC BOARD | 19 |
| DISASSEMBLY FOR REPAIR | 4 | SCHEMATIC DIAGRAM | 27 |
| BLOCK DIAGRAM | 5 | EXPLODED VIEW | 55 |
| CIRCUIT DESCRIPTION | 6 | PARTS LIST | 58 |
| ADJUSTMENT | 13 | SPECIFICATIONS | Back cover |
| WIRING DIAGRAM | 17 | | |

Accessories

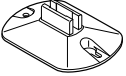
FM Indoor antenna
(T90-0801-05): KPXYMM2
(T90-0836-05): TEQE2



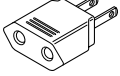
AM Loop antenna (T90-0833-05)



AM Loop antenna stand (J19-3645-05)

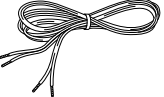


AC plug adaptor (1)
(E03-0115-05)

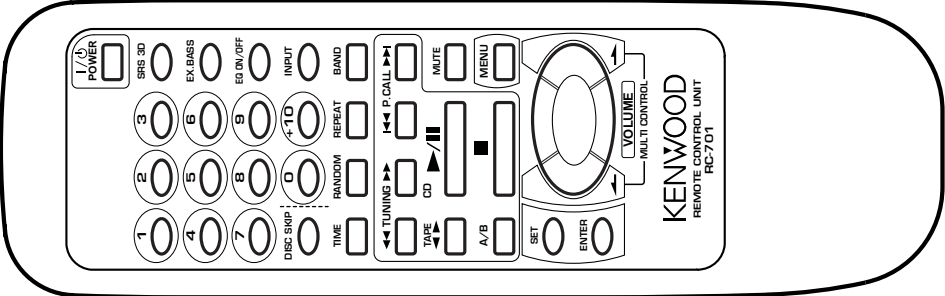


Use to adapt the plug on the power cord to the shape of the wall outlet.
(Accessory only for regions where use is necessary.)

Speaker cords (4)
XD-A8/XD-7....Series
Speaker cords (2)
XD-A5/XD-5....Series




Remote control unit (1)
(A70-1201-05) :KPMXYM2

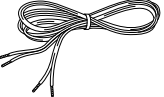


Battery cover (A09-0399-08)

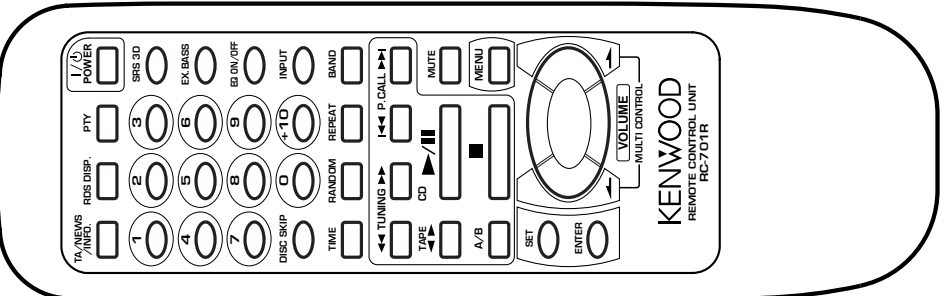
Batteries (R6/AA)



Attached with to speaker unit




Remote control unit (1)
(A70-1202-05) : QETE2



Battery cover (A09-0399-08)

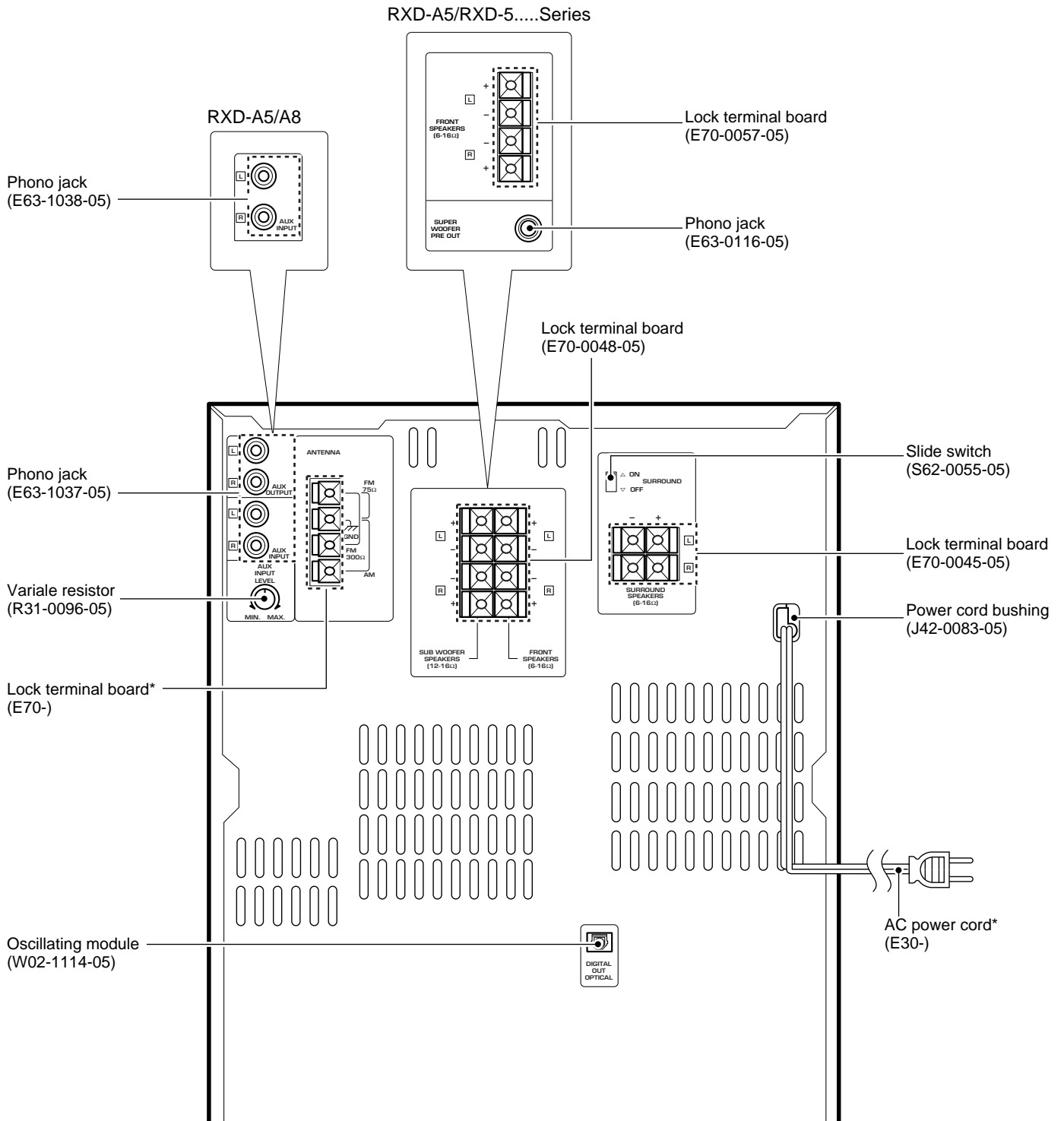
Speaker cushion (8)



System configuration

| SYSTEM | MAIN UNIT | SPEAKER | SP CORD PARTS NO. | DESTI-NATION | SYSTEM | MAIN UNIT | SPEAKER | SP CORD PARTS NO. | DESTI-NATION |
|---------|-----------|---------|-------------------|--------------|---------|-----------|---------|-------------------|--------------|
| XD-501 | RXD-501 | LS-501 | E30-5474-08 | TE | XD-A5 | RXD-A5 | LS-451 | E30-5120-08 | KP |
| XD-501 | RXD-501 | LS-501 | E30-5475-05 | X | XD-701 | RXD-701 | LS-701 | E30-5471-05 | TEX |
| XD-501W | RXD-501W | LS-501 | E30-5474-08 | Q | XD-701W | RXD-701W | LS-701 | E30-5471-05 | Q |
| XD-501E | RXD-501E | LS-501 | E30-5474-08 | E2 | XD-701E | RXD-701E | LS-701 | E30-5471-05 | E2 |
| XD-551 | RXD-551 | LS-551 | E30-5475-05 | MXY | XD-751 | RXD-751 | LS-751 | E30-5471-05 | MXYTE |
| XD-551 | RXD-551 | LS-551 | E30-5474-08 | TE | XD-751W | RXD-751W | LS-751 | E30-5471-05 | Q |
| XD-551W | RXD-551W | LS-551 | E30-5474-08 | Q | XD-751E | RXD-751E | LS-751 | E30-5471-05 | E2 |
| XD-551E | RXD-551E | LS-551 | E30-5474-08 | E2 | XD-771S | RXD-771S | LS-751 | E30-5471-05 | M2 |
| XD-571S | RXD-571S | LS-551 | E30-5475-05 | M2 | XD-A8 | RXD-A8 | LS-751 | E30-5471-05 | KP |

EXTERNAL VIEW



* Refer to parts list on page 58.

DISASSEMBLY FOR REPAIR

1. How to remove the front panel.

- (1) Turn the power ON and then push the open/close key to open the tray.
- (2) After removed the tray cover, push the open/close key to close the tray and then turn the power OFF.
- (3) Remove the push rivet (①) and 4 screws (②, ③).
- (4) The front panel can be separated by removing the 3 screws (④) located at the bottom plate of the front panel.

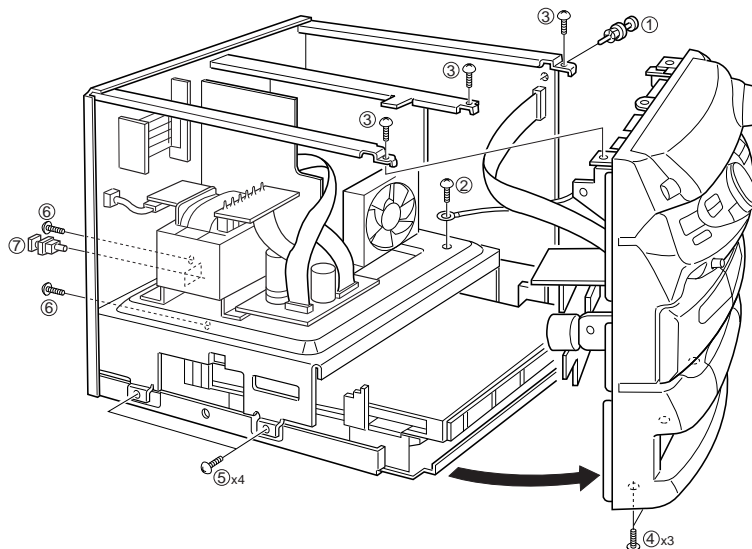


Fig.1

2. How to remove the CD mechanism

- (1) Remove 4 screws (⑤) on the left side/right side of chassis.
- (2) Remove 2 screws (⑥) and the cap (⑦) on the rear panel.
- (3) Disengage the CD mechanism as FIG.2.

3. How to open the tray if not comes out.

- (1) From the rear side of the CD mechanism, use a screw driver or the like to turn the friction arm fully counterclockwise.
- (2) Pull out the tray front wards by hand when the tray comes just out.

* As for details of items in the below, refer to RXD-F3 service manual (B51-5091-00).

- (1) How to detach the tray.
- (2) How to attach the tray.
- (3) Replacing the pickup.

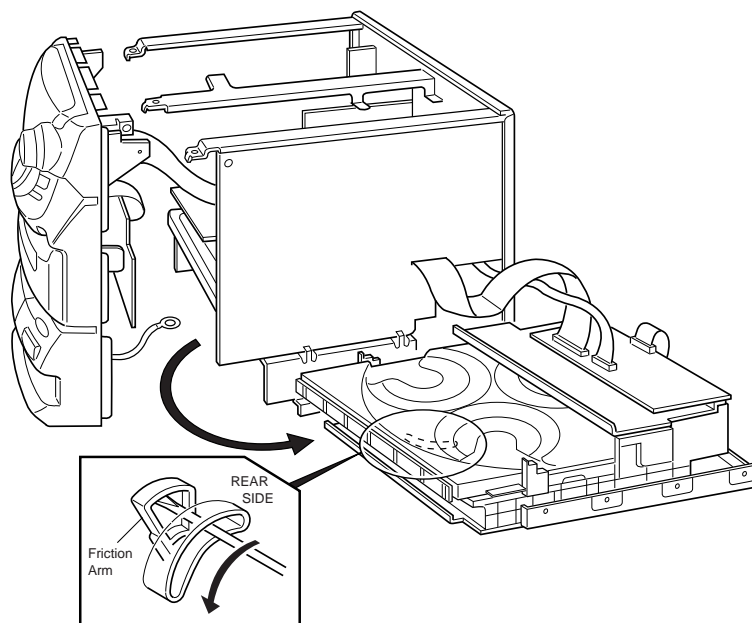
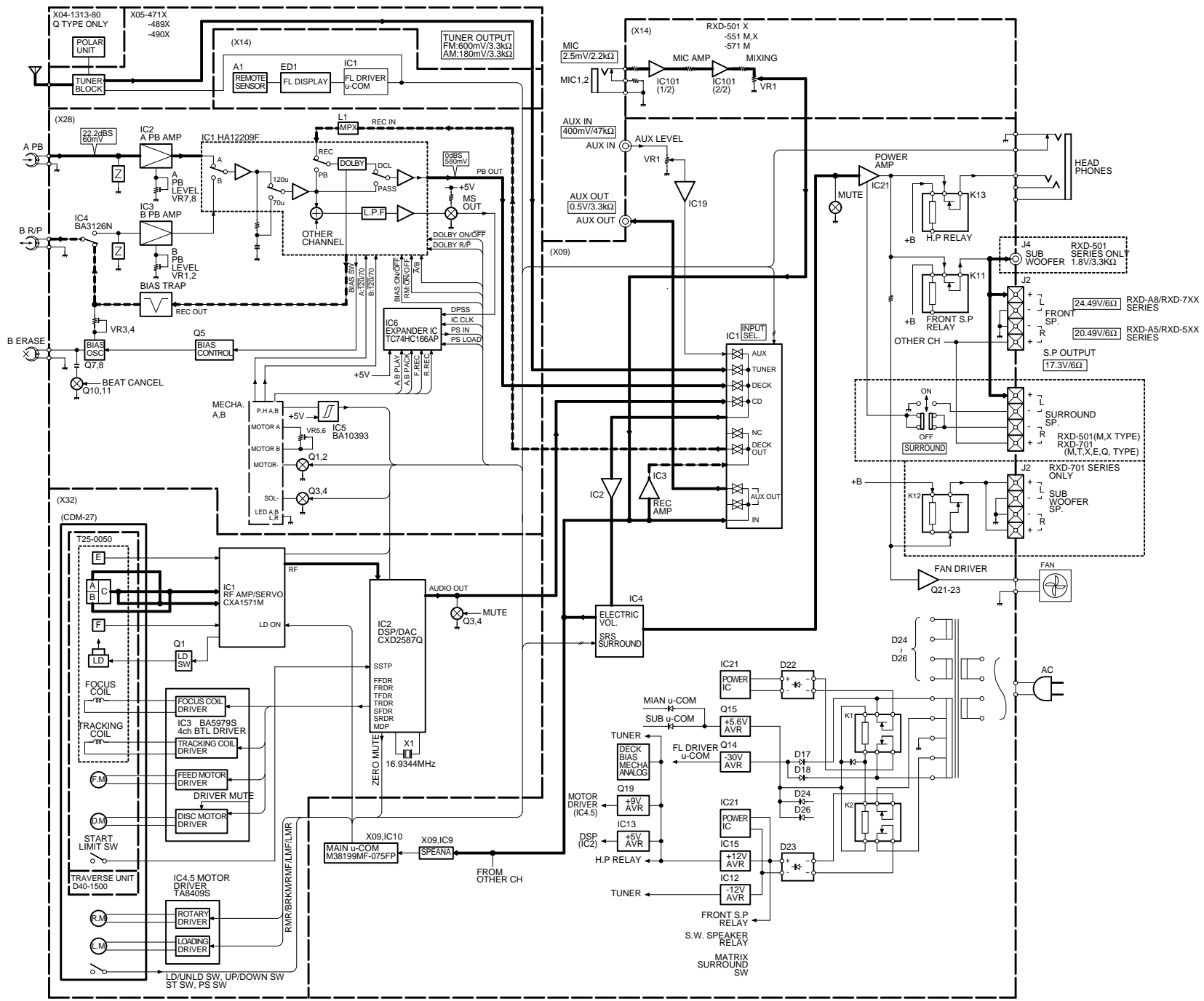


Fig.2

BLOCK DIAGRAM



RXD-501/701

CIRCUIT DESCRIPTION

1. Initialization

1-1 Setting of initial conditions

While pressing the [ENTER] key, plug the AC cord into the AC power outlet.

1-2 Initializing operation

- A microcomputer is initialized for start when the AC power is turned on while pressing the [ENTER] key. At that time, CD mechanism and CASSETTE mechanism are also initialized.
- During the initial operation, the display shows "INITIALIZE" and after that the clock blinks up on display.

1-3 Initial items and back up data

| | ITEMS | |
|-------------|-------------|----------------------------|
| AMP | ⌘ POWER | OFF |
| | ⌘ VOLUME | 45 |
| | ⌘ BALANCE | CENTER |
| | MUTING | OFF |
| | EQ | OFF (ROCK) |
| | ⌘ EQ. MANU | FLAT |
| | EX. BASS | ON |
| | ⌘ SRS 3D | OFF |
| | ⌘ S.W. | LEVEL 3 (RXD-701/751 ONLY) |
| | ⌘ INPUT SEL | TUNER |
| | ⌘ 3D LEVEL | LEVEL +5 |
| | ⌘ DEMO | ON |
| TUNER | ⌘ BAND | FM |
| | ⌘ LAST f | LOWEST FREQUENCY |
| | ⌘ LAST Pch | — — |
| | ⌘ AUTO/MONO | AUTO |
| | ⌘ Pch | TEST f |
| CLOCK TIMER | ⌘ CLOCK | AM 12 : 00 |
| | ⌘ PROG ON | AM 12 : 00 |
| | ⌘ PROG OFF | AM 12 : 00 |
| | ⌘ PRO MODE | TIMER PLAY |
| | ⌘ SOURCE | TUNER |
| | ⌘ Pch | 1 |
| | ⌘ EXE | OFF |
| | ⌘ OTT | OFF |
| | SLEEP | OFF |
| DECK | ⌘ DIRECTION | FORWARD |
| | ⌘ RVS MODE | ↷ |
| | ⌘ DOLBY NR | OFF |
| | A/B | B |
| | ACTIVE MODE | STOP |
| CD | PLAY MODE | TRACK |
| | REPEAT | OFF |
| | RANDOM | OFF |
| | PLAY MODE | STOP |
| | TIME | SINGLE |

⌘ back up data

1-4 Mechanism initialization

1-4-1 CD mechanism

- Disc unclamps (traverse down)
- Rotary tray rotates (1/3 rotation)
- If a mechanism error occurs, "C" is indicated on the display.

1-4-2 DECK mechanism

- When initial condition becomes NG for the third time, decide the error.
The error condition is displayed as "X" on the display.

1-4-3 Error display

CD X ERR

CIRCUIT DESCRIPTION

2. Destination list of tuner

| Destination | DSW | | | | Band | Receiving frequency range | Channel space | IF | RF | PORT 47 |
|-------------|----------|----------|----------|---------|------|---------------------------|---------------|----------|-------|---------|
| | 3(83pin) | 2(84pin) | 1(85pin) | (86pin) | | | | | | |
| K1 | 0 | 0 | 0 | 0 | FM | 87.5MHz~108.0MHz | 100kHz | +10.7MHz | 25kHz | 0 |
| | | | | | AM | 530kHz~1700kHz | 10kHz | +450kHz | 10kHz | 0 |
| K2 | 0 | 0 | 0 | 1 | FM | 87.5MHz~108.0MHz | 100kHz | +10.7MHz | 25kHz | 1 |
| | | | | | AM | 530kHz~1610kHz | 10kHz | +450kHz | 10kHz | 0 |
| K3 | 1 | 0 | 0 | 1 | FM | 87.5MHz~108.0MHz | 100kHz | +10.7MHz | 25kHz | 1 |
| | | | | | MW | 530kHz~1610kHz | 10kHz | +450kHz | 10kHz | 0 |
| | | | | | SW | 5.9MHz~17.9MHz | 5kHz | +450kHz | 5kHz | 0 |
| E1 | 0 | 0 | 1 | 1 | FM | 87.5MHz~108.0MHz | 50kHz | +10.7MHz | 25kHz | 0 |
| | | | | | AM | 531kHz~1602kHz | 9kHz | +450kHz | 9kHz | 0 |
| E3 | 1 | 0 | 1 | 1 | FM | 87.5MHz~108.0MHz | 50kHz | +10.7MHz | 25kHz | 0 |
| | | | | | MW | 531kHz~1602kHz | 9kHz | +450kHz | 9kHz | 0 |
| | | | | | SW | 5.9MHz~17.9MHz | 5kHz | +450kHz | 5kHz | 0 |
| E1 RDS | 0 | 1 | 0 | 1 | FM | 87.5MHz~108.0MHz | 50kHz | +10.7MHz | 25kHz | 0 |
| | | | | | AM | 531kHz~1602kHz | 9kHz | +450kHz | 9kHz | 0 |
| E2 RDS | 0 | 1 | 1 | 0 | FM | 87.5MHz~108.0MHz | 50kHz | +10.7MHz | 25kHz | 0 |
| | | | | | MW | 531kHz~1602kHz | 9kHz | +450kHz | 9kHz | 0 |
| | | | | | LW | 153kHz~279kHz | 9kHz | +450kHz | 9kHz | 0 |
| Q | 0 | 1 | 1 | 1 | FML | 65.0MHz~74.0MHz | 10kHz | +10.7MHz | 5kHz | 1 |
| | | | | | FMH | 87.5MHz~108.0MHz | 50kHz | +10.7MHz | 5kHz | 0 |
| | | | | | MW | 531kHz~1602kHz | 9kHz | +450kHz | 9kHz | 0 |
| | | | | | LW | 153kHz~279kHz | 9kHz | +450kHz | 9kHz | 0 |

3. Test mode

3-1 Test mode of the receiver

3-1-1 Setting of the test mode

While pressing the [INPUT] key or [Band] key, plug the AC power cord into AC outlet.

3-1-2 Canceling of the test mode

Unplug the AC power cord.

3-1-3 Condition in test mode

POWER ••••• ON

SELECTOR ••• AUX (in case of [INPUT] key)
TUNER (in case of [BAND] key)

FL, LED ••••• All the fluorescent display indicators and LEDs light. (The all illuminated state is cleared by pressing any main unit key or remote key.)

EX. BASS ••••• OFF

S.W. •••••••• OFF

3-1-4 Basic operation in test mode.

- (1) The muting during mode selection is not controlled in the test mode.
- (2) The test mode is cancelled when the AC power is turned OFF.
- (3) The operation of the keys in the test mode, as follows.

3-1-5 The operation of the keys in the test mode.

- (1) MODE / DEMO key

When this key is pressed in the test mode, all the fluorescent light off and normal display are indicated cyclically.

- (2) DISC 1~3 keys

With the selector on AUX, when the DISC 1~3 keys are operated, the 3D level settings can be made as follows.

- ① DISC 1 ••••• 3D ON level -8 (Min)
- ② DISC 2 ••••• 3D ON level 0 (Center)
- ③ DISC 3 ••••• 3D ON level +8 (Max)

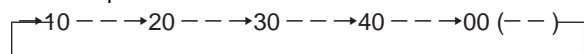
- (3) DISC SKIP key (S level display)

With the selector on TUNER, the fluorescent changes cyclically as follows by pressing the [DISC SKIP] key.

- ① ATT is switched OFF. "ATT OFF XX"
- ② ATT is switched ON. "ATT ON XX"
- ③ ATT is switched OFF. Normal display
XX means A/D value (HEX) of S.

- (4) CD STOP key

With the selector on TUNER, when the [CD STOP] key operated, the preset memory can be changed as 10 steps.



- (5) AUTO, TUNING UP/DOWN

With the selector on something other than TUNER, the E.Q (Flat, Min, Max) settings can be made by pressing the [AUTO] key and the tuning [UP] [DOWN] keys.

- | | |
|-------------------|----------|
| [AUTO] key | E.Q Flat |
| TUNING [DOWN] key | E.Q Min |
| TUNING [UP] key | E.Q Max |

CIRCUIT DESCRIPTION

(6) CD SKIP UP/DOWN keys

With the selector on TUNER, the P. CALL is operated by pressing the skip UP/DOWN keys.

SKIP [UP] key P. CALL up
 SKIP [DOWN] key P. CALL down

(7) CD OPEN/CLOSE keys

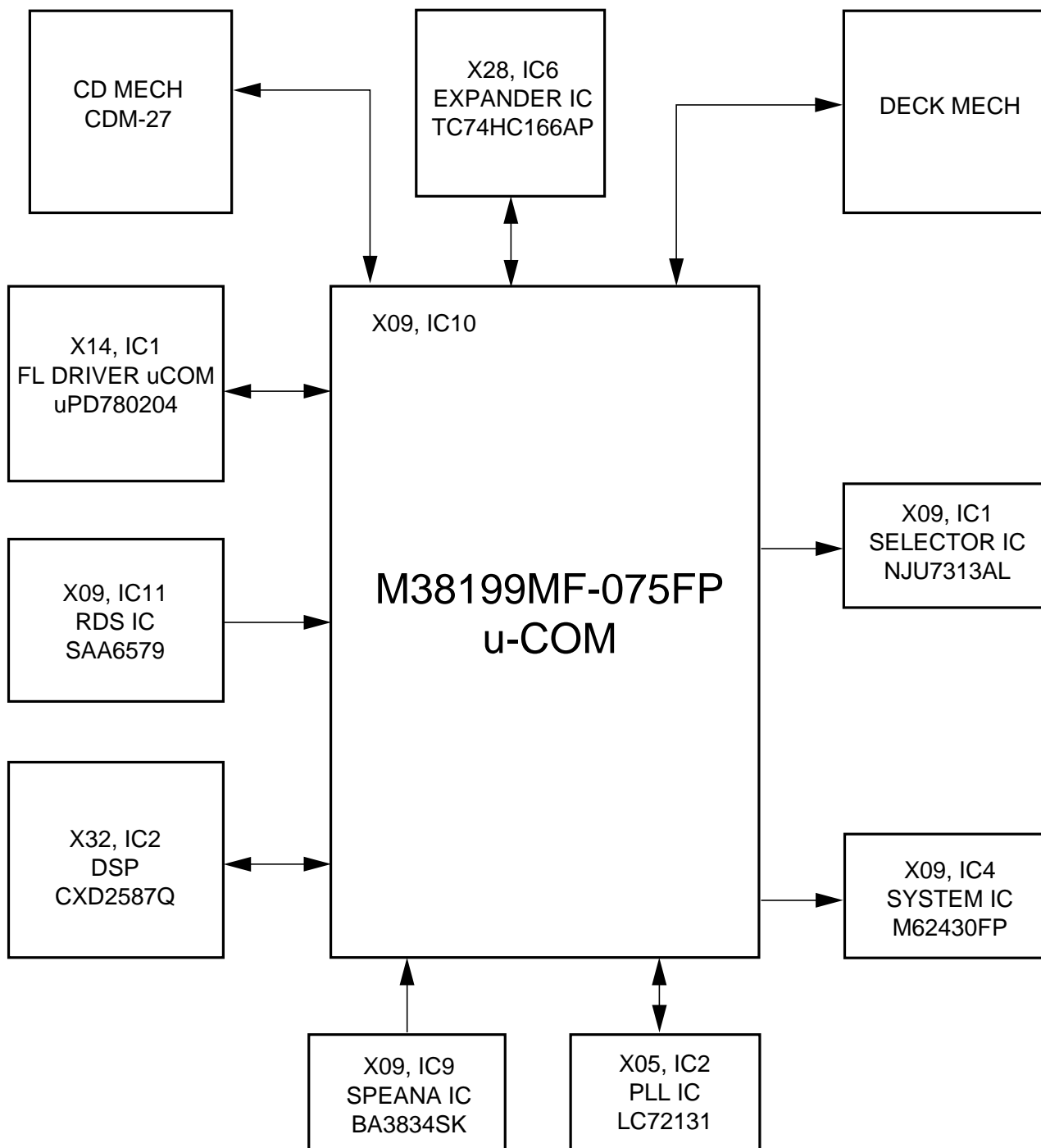
With the selector on TUNER, the channel space settings can be mad cyclically by pressing the OPEN/CLOSE keys with M version.

(8) REC/ARM

Whenever the REC/ARM key is pressed, the indication of S.W. (ON/OFF) is available.

4. Main microprocessor

4-1 Microprocessor periphery block diagram



CIRCUIT DESCRIPTION

4-2 Pin description

Microprocessor : M38199MF-075FP (X09, IC10)

| No | Name | I/O | Description | | |
|-------|----------------------|-----|--|-------------------------|------------------------|
| 1 | PS IN | I | Parallel serial IC input data | | |
| 2 | PS LOAD | O | Parallel serial IC load | H : SHIFT | L : LOAD |
| 3 | $\overline{A\ MUTE}$ | O | Audio mute control | H : OFF | L : ON |
| 4 | BP IN | I | Speana input (A/D converter input) | | |
| 5 | JOG CW | I | Jog input B | | |
| 6 | JOG CCW | I | Jog input A | | |
| 7 | ENC CW | I | Rotary encoder input B | | |
| 8 | ENC CCW | I | Rotary encoder input A | | |
| 9 | H.P. | I | Headphones switch input | H : ON | L : OFF |
| 10 | NC | I/O | No used | | |
| 11 | $\overline{CD\ RST}$ | O | CD DSP IC reset control (CXD2587Q) | H : NORMAL | L : RESET |
| 12 | DRV CLK | O | FL driver u-COM control clock | | |
| 13 | DRV SI | O | FL driver u-COM control data output | | |
| 14 | DRV SO | I | FL driver u-COM control data input | | |
| 15 | S LEVEL | I | RDS S Level input | | |
| 16 | RDS DATA | I | RDS data input | | |
| 17,18 | NC | I | No used | | |
| 19 | CD CK | O | CD DSP IC clock (CXD2587Q) | | |
| 20 | SQCK | O | CD Sub code clock (CXD2587Q) | | |
| 21 | CDDT | O | CD DSP IC data (CXD2587Q) | | |
| 22 | SQSO | I | CD Sub code input (CXD2587Q) | | |
| 23 | CDXL | O | CD latch output (CXD2587Q) | | |
| 24 | SENS | I | CD sense input (CXD2587Q) | | |
| 25 | CDSCK | O | Sense data reading clock output (CXD2587Q) | | |
| 26 | LD ON | O | CD laser output | H : OFF | L : ON |
| 27 | DATA | O | SELECTOR/SYSTEM/DAC/DOLBY IC data output | | |
| 28 | CLK | O | SELECTOR/SYSTEM/DAC/DOLBY IC clock output | | |
| 29 | PROT | I | Protection input | H : PROTECTION ON | L : NORMAL |
| 30 | SCOR | I | Sub code synchronism signal (CXD2587Q) | | |
| 31 | E DATA | O | E. vol data output (M62430FP) | | |
| 32 | E CLK | O | E. vol clock output (M62430FP) | | |
| 33 | NC | I/O | No used | | |
| 34 | RDS CLK | I | RDS clock input | | |
| 35 | \overline{RESET} | I | Reset signal input | H : NORMAL | L : RESET |
| 36 | X CIN | I | Timer clock input (32.768kHz) | | |
| 37 | X COUT | O | Timer clock output (32.768kHz) | | |
| 38 | X IN | I | Main clock input (8.38MHz) | | |
| 39 | X OUT | O | Main clock output (8.38MHz) | | |
| 40 | VSS | - | GND | | |
| 41 | $\overline{PLL\ DO}$ | I | PLL data input | | |
| 42 | \overline{STEREO} | I | Stereo detector input | | |
| 43 | \overline{SD} | I | SD detector input | | |
| 44 | \overline{CE} | I | Power failure input | H : AC ON | L : AC OFF |
| 45 | PLL CE | O | PLL IC chip enable (LC72131) | | |
| 46 | TU EMP | O | FM emphasis change-over (M type only) Polar/Pilot change-over (Q type only) | H : 100kHz H : POLAR | L : 50kHz L : PILOT |
| 47 | FL RST | O | FL driver reset control output | | |

CIRCUIT DESCRIPTION

| No | Name | I/O | Description | | |
|-------|-------------|-----|---|--------------|-------------|
| 48 | T MUTE | O | TUNER mute control output | | |
| 49 | DRV ST | O | FL driver u-COM control strobe output | | |
| 50 | HP RLY | O | Headphones relay control | | |
| 51 | SEL ST | O | Selector IC strobe output (NJU7313AL) | | |
| 52 | ATT | O | E. vol attenuation | H : ON | L : OFF |
| 53 | SYS ST | O | System IC strobe output (M62430FP) | | |
| 54 | CS RELAY | O | CS speaker relay control | H : ON | L : OFF |
| 55 | SP RELAY | O | Speaker relay control | H : ON | L : OFF |
| 56 | DOL ST | O | Dolby IC strobe output | | |
| 57 | MON | O | PMON control | H : ON | L : OFF |
| 58~61 | NC | O | No used | | |
| 62 | P RLY | O | Power relay control | H : ON | L : OFF |
| 63 | LMR | O | Loading motor control (reverse) | | |
| 64 | LMF | O | Loading motor control (forward) | H : ON | L : OFF |
| 65 | RMF | O | Rotary motor control (forward) | H : ON | L : OFF |
| 66 | BRKM | O | Rotary motor control (brake) | H : NORMAL | L : BRAKE |
| 67 | RMR | O | Rotary motor control (reverse) | H : ON | L : OFF |
| 68 | DC OFF | O | CD DSP IC power control (CXD2587Q) | H : ON | L : OFF |
| 69 | BEAT CANCEL | O | Beat cancel | H : ON | L : OFF |
| 70 | A/B | O | A/B Playback change-over | H : B | L : A |
| 71 | BIAS | O | Bias change-over | H : ON | L : OFF |
| 72 | R MUTE | O | Deck rec mute control | H : OFF | L : ON |
| 73 | NR | O | Dolby noise reduction change-over | H : ON | L : OFF |
| 74 | D-R/P | O | Dolby rec/play change-over | H : REC | L : PLAY |
| 75 | R/P | O | Rec/play change-over | H : REC | L : PLAY |
| 76 | B CPM | O | B deck motor control | H : ON | L : OFF |
| 77 | B SOL | O | B deck solenoid control | H : ON | L : OFF |
| 78 | A CPM | O | A deck motor control | H : ON | L : OFF |
| 79 | A SOL | O | A deck solenoid control | H : ON | L : OFF |
| 80 | SPE3 | O | Speana out 3 | | |
| 81 | TU/SPE2 | O | TUNER destination (scan)/speana out 2 | | |
| 82 | TYP/SPE1 | O | Model discrimination (scan)/speana out1 | | |
| 83~86 | RET4~RET1 | I | Model discrimination input 4~1 Discrimination of TUNER destination (DSW3~DSW0) | | |
| 87 | A-PH | I | A deck photo sensor input | | |
| 88 | B-PH | I | B deck photo sensor input | | |
| 89 | UNL SW | I | CD unload switch | H : ON | L : OFF |
| 90 | LO SW | I | CD load switch | H : OFF | L : ON |
| 91 | VCC | - | u-COM power supply (+5V) | | |
| 92 | ST SW | I | CD mechanism stop switch | H : OFF | L : ON |
| 93 | UP SW | I | CD mechanism up switch | H : OFF | L : ON |
| 94 | DN SW | I | CD mechanism down switch | H : OFF | L : ON |
| 95 | PS SW | I | CD mechanism position switch | H : OFF | L : ON |
| 96 | CD MUT | O | CD analog mute | H : OFF | L : ON |
| 97 | ZERO | I | CD zero mute detection | H : MUTE OFF | L : MUTE ON |
| 98 | VEE | - | GND | | |
| 99 | AVSS | - | A/D GND | | |
| 100 | VREF | - | A/D reference voltage | | |

5. FL driver Microprocessor : uPD780204-038 (X14, IC1)**5-1Pin description**

| No | Name | I/O | Description |
|--------|--------------|-----|--|
| 1 | VDD | – | u-COM power supply (+5V) |
| 2 | LED DISC1 | O | Disc LED 1~3 control |
| 3, 4 | NC | – | No used |
| 5~9 | LED A~E | O | CD running indicator control (D33~D37) |
| 10 | RESET | I | System reset |
| 11 | X2 | – | Main system clock (5MHz) |
| 12 | X1 | I | Main system clock (5MHz) |
| 13 | VSS | – | GND |
| 14 | NC | – | No used |
| 15 | NC | – | GND |
| 16 | VDD | – | u-COM power supply (+5V) |
| 17 | DRIVER CLK | I | Serial clock |
| 18 | DRIVER SOUT | O | Serial data output |
| 19 | SIN | I | Serial data input |
| 20,21 | NC | – | No used |
| 22 | LED SRS | O | LED control terminal (SRS) |
| 23 | LED 3 STEREO | – | No used |
| 24 | LED PROLOGIC | – | No used |
| 25 | AVSS | – | GND |
| 26 | A/D7 | – | GND |
| 27~33 | A/D6~A/D0 | I | Key return signal (6~0) |
| 34 | AVDD | – | A/D power supply |
| 35 | AVREF | – | A/D reference voltage |
| 36,37 | NC | – | GND |
| 38 | REM IN | I | Remocon signal input |
| 39 | DRIVER ST | I | Strobe signal input |
| 40 | VSS | – | GND |
| 41 | LED EQ | O | LED control terminal (SOUND) |
| 42~44 | ECHO 3~1 | – | No used |
| 45 | ECHO MUTE | – | No used |
| 46 | VDD | – | u-COM power supply (+5V) |
| 47 | NC | – | No used |
| 48~63 | SEG16~SEG1 | O | FL segment control (SEG16~SEG1) |
| 64~70 | SEG17~SEG23 | O | FL segment control (SEG17~SEG23) |
| 71~78 | SEG24~SEG31 | O | FL segment control (SEG24~SEG31) |
| 79 | VLOAD | – | Vload (-30V) |
| 80~88 | SEG32~SEG40 | O | FL segment control (SEG32~SEG40) |
| 89~100 | 1G~12G | O | FL grid control (1G~12G) |

CIRCUIT DESCRIPTION

6. Input expander IC (parallel-serial)

• X28, IC6 (TC74HC166AP)

| Pin No. | Name | I/O | Description | | |
|---------|---------|-----|-----------------------|---------------------|-------------------|
| 1 | – | I | +5V | | |
| 2 | – | I | N. C. | | |
| 3 | DPSS | I | DECK DPSS DETECTION | H = MUSIC | L = NO MUSIC |
| 4 | A-PLAY | I | A DECK PLAY SW | H = NOT PLAY | L = PLAY |
| 5 | A-PACK | I | A DECK PACK DETECTION | H = PACK OUT | L = PACK IN |
| 6 | – | I | GND | | |
| 7 | CD CLK | I | CD CLOCK INPUT | | |
| 8 | GND | I | GND | | |
| 9 | – | I | + 5V | | |
| 10 | B-PACK | I | B DECK PACK DETECTION | H = PACK OUT | L = PACK IN |
| 11 | B-PLAY | I | B DECK PLAY SW | H = NOT PLAY | L = PLAY |
| 12 | R REC | I | REVERSE REC DETECTION | H = REC PROHIBITION | L = REC PERMITTED |
| 13 | PS IN | I | PS IN | | |
| 14 | F REC | I | FORWARD REC DETECTION | H = REC PROHIBITION | L = REC PERMITTED |
| 15 | PS LOAD | I | PS LOAD | | |
| 16 | Vcc | I | +5V | | |

7. Key matrix

FL driver u-COM (uPD780204-038)

• X14, IC1

| VOLTAGE (V) | AD0 (33pin) | AD1 (32pin) | AD2 (31pin) | AD3 (30pin) |
|-------------|-------------|-------------|-------------|-------------|
| 0 ~ 0.82 | POWER | EX. BASS | CD PGM | TUNING UP |
| 0.84 ~ 1.64 | – | – | DUBBING | TUNING DOWN |
| 1.66 ~ 2.52 | – | DISPLAY | SRS | BAND |
| 2.54 ~ 3.38 | – | INPUT | SOUND | AUTO |
| 3.40 ~ 4.18 | – | MODE / DEMO | SET | ENTER |
| 4.20 ~ 4.78 | – | TIMER | – | – |

| VOLTAGE (V) | AD4 (29pin) | AD5 (28pin) | AD6 (27pin) |
|-------------|-------------|-------------|-------------|
| 0 ~ 0.82 | CD ◀◀ | A / B | DOLBY NR |
| 0.84 ~ 1.64 | CD ▶▶ | TAPE ▶▶ | REV MODE |
| 1.66 ~ 2.52 | CD ■ | TAPE ▶ | DISC 1 |
| 2.54 ~ 3.38 | CD ▶/ | TAPE ■ | DISC SKIP |
| 3.40 ~ 4.18 | CD ▲ | TAPE ◀ | DISC 2 |
| 4.20 ~ 4.78 | TAPE ● | TAPE ◀◀ | DISC 3 |

ADJUSTMENT

1. Tuner adjustment

X05-490x

| NO. | ITEM | INPUT SETTINGS | OUTPUT SETTINGS | TUNER SETTINGS | ALIGNMENT POINTS | ALIGN FOR | FIG. |
|-----|---------------------|--|---|------------------|---------------------|---------------------|------|
| 1 | DISCRIMINATOR | (A) 98 MHz, 70dBf (ANT INPUT) 1 kHz, ± 40 kHz DEV | Connect a DC voltmeter between pin 1 and pin2 of CN2. | MONO 98.0 MHz | L31 | 0V | (a) |
| | DISTORTION | (C) 98 MHz, 70dBf (ANT INPUT) 1 kHz, ± 40 kHz DEV | | | L32 (EXCEPT K/P) | Minimum distortion. | |
| 2 | DISTORTION (STEREO) | (C) 98 MHz, 70dBf (ANT INPUT) 1 kHz, ± 40 kHz DEV | (B) | AUTO 98.0 MHz | IFT (A1) | Minimum distortion. | (a) |

X05-4890

| NO. | ITEM | INPUT SETTINGS | OUTPUT SETTINGS | TUNER SETTINGS | ALIGNMENT POINTS | ALIGN FOR | FIG. |
|-----|---------------------|--|-----------------|------------------|------------------|---|------|
| 1 | TUNED LEVEL | (A) 98 MHz, 31.2dBf (ANT INPUT) 1 kHz, ± 40 kHz DEV | | MONO 98.0 MHz | VR1 | Adjust VR1 and stop at the point where ED1 (TUNED) goes ON. | (a) |
| 2 | DISTORTION (STEREO) | (A) 98 MHz, 70dBf (ANT INPUT) 1 kHz, ± 40 kHz DEV PILOT: ± 6 kHz DEV | (B) | AUTO 98.0 MHz | IFT (A1) | Minimum distortion. | (a) |

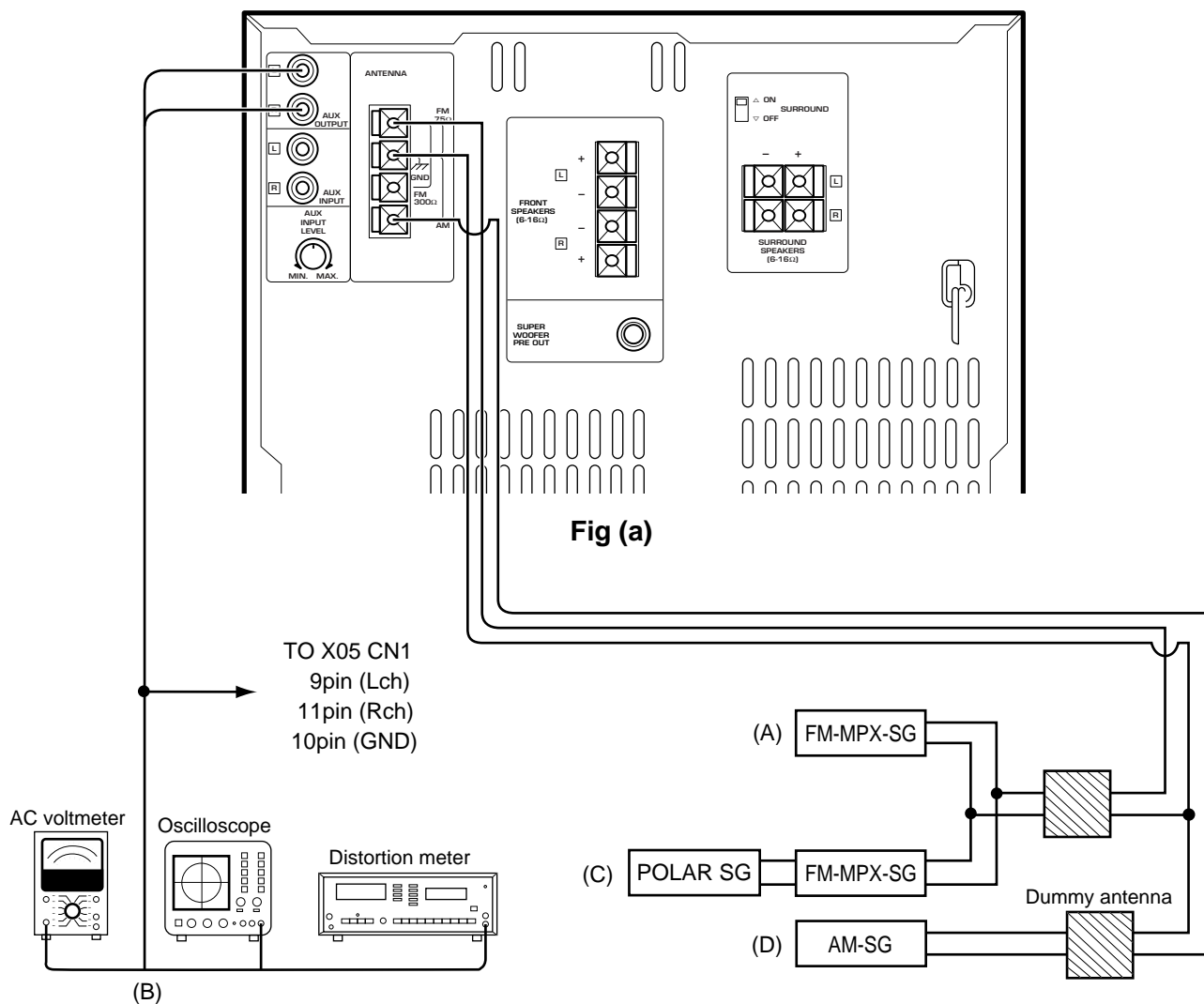
X05-4710

| No. | ITEM | INPUT SETTING | OUTPUT SETTING | TUNER MODE | ALIGNMENT POINTS | ALIGN FOR | FIG. |
|-----|---------------------|---|-------------------------------|-----------------|------------------|--------------------|------|
| 1 | DISCRIMINATOR | (A) 98MHz 1kHz, ± 40 kHzdev 70dBf (ANT input) | Connect a DC voltmeter to CN2 | MONO 98.0MHz | L5 | 0V | (a) |
| 2 | DISTORTION (STEREO) | (C) 98MHz 1kHz, ± 40 kHzdev Pilot, ± 6 kHzdev 70dBf (ANT input) | (B) | AUTO 98.0MHz | IFT (A1) | Minimum distortion | (a) |
| 3 | SENSITIVITY (SW) | (D) 6.5MHz 400Hz30%mod 40dBf (ANT input) | (B) | 6.5MHz | L2 | Maximum output | (a) |

X04-1313 Q TYPE (65MHz~74MHz BAND)

| NO. | ITEM | INPUT SETTINGS | OUTPUT SETTINGS | TUNER SETTINGS | ALIGNMENT POINTS | ALIGN FOR | FIG. |
|-----|-----------------|---|---|----------------|------------------|---|------|
| 1 | VCO | (E) 69 MHz, 70 dBf (ANT INPUT) 1 kHz, 0 kHz DEV SUB, 0 kHz DEV | Connect a frequency counter to VCO monitor (CN2). | AUTO 69 MHz | VR 2 | Adjust it the frequency counter reads 31.25 kHz ± 100 Hz. | (a) |
| 2 | RESONANCE POINT | (E) 69 MHz, 70 dBf (ANT INPUT) 1 kHz, 40 kHz DEV SUB, 10 kHz DEV Select : L or R | Connect a oscilloscope to TUNER OUT(CN6). | AUTO 69 MHz | TC 1 | Minimum crosstalk. | (a) |
| 3 | SEPARATION | (E) SAME AS ABOVE | Connect a oscilloscope to TUNER OUT(CN6). | AUTO 69 MHz | VR 1 | Minimum crosstalk. | (a) |

ADJUSTMENT



2. Test mode of CD player

2-1 Main unit

- (1) Setting of the test mode
While pressing the [PLAY/PAUSE] key, plug the AC power cord into AC outlet.
- (2) Canceling of the test mode
Press the [STOP] key on stop mode or unplug the AC power code from AC wall outlet.

(3) Operation

| KEY | DISPLAY | OPERATION |
|-----------------------|--|--|
| PLAY/PAUSE + AC IN | CD 00 | <ul style="list-style-type: none"> • SETTING OF THE TEST MODE • CANCEL THE CLAMP • TRAY 1/3 ROTATION • TRAY OPENS AUTOMATICALLY |
| STOP ■ | CD 00 | <ul style="list-style-type: none"> • TRAY CLOSE • CANCEL THE CLAMP |
| PLAY/PAUSE ▶/ | CD 03 CD 05 | <ul style="list-style-type: none"> • TRAY CLOSE/DISC CLAMP • T-SERVO OFF(03) OR ON(05) |
| DISC SKIP | | <ul style="list-style-type: none"> • TRAY 1/3ROTATION |
| DISC 1 | 07 EF/FB 08 TG*FG 09 TE/RF 10 TE/VC | <ul style="list-style-type: none"> • MECHANISM STOPS WHEN THE AUTOMATIC ADJUSTMENT IS FINISHED. • DISPLAY CHANGES CYCLICALLY • IF NG, DISPLAY BLINKS UP |

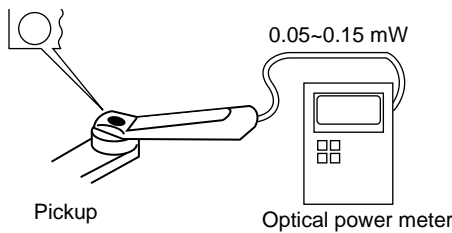
ADJUSTMENT

3. Adjustment of CD player

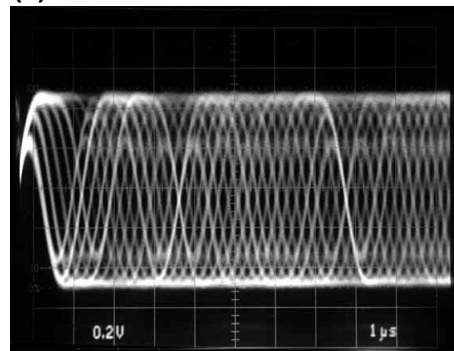
| No. | ITEM | INPUT SETTING | OUTPUT SETTING | PLAYER SETTING | ALIGNMENT POINT | ALIGN FOR | FIG. |
|--|---------------------|------------------|--|---|-----------------|--|------|
| Step 1,2 are in TEST MODE | | | | | | | |
| TEST MODE : While pressing the [PALY/PAUSE] key, plug the AC power cord into the AC outlet. | | | | | | | |
| 1 | LASER POWER | - | Set the sensor section of the optical power meter on the pickup lens. | Press the "PLAY" key to check that the display is "03". | - | On the power from 0.05 to 0.15mw. when the diffraction grating is correctly aligned with the RF level of 0.8Vp-p or more | (a) |
| 2 | FOCUS ERROR BALANCE | Test disc Type 4 | Connect an oscilloscope as follows. CH1 : RF (CN7 pin1) CH2 : FE (CN7 pin6) GND : VC (CN7 pin4) | Press the "PLAY" key. Confirm that the display is "05" | FE BALANCE VR1 | Optimum eye pattern | (d) |

Note:
Type 4 disc : SONY YEDS-18 Test Disc or equivalent. (KTD-02)
LPF : Around 47kΩ + 390pF or so.

(a) Laser Power



(d) RF signal : AC coupled



- RF signal in test mode (PLAY).
- Perform the tangential and focusing offset are focused into one point on the display. The crossing points above and below the center shall also be looked clearly.

4. Test mode of DECK section

(1) Setting

While pressing the PLAY key (DECK), plug the AC power cord into an AC power outlet.

(2) Resetting

- Disconnect the AC power cord from an AC power outlet or press the [ON/STANDBY] key.

(3) Operation in TEST mode

(a) Initial condition

| Item | Condition |
|--------------|--|
| Power | ON |
| Selector | TAPE |
| Main VOL. | -45dB (VOL45) |
| EX. bass | OFF |
| FL, LED, LCD | All the FLs are turned on for 10 seconds |

(b) 4-sec REC

If the REC key is pushed, the system record for 4sec. Then, it rewinds to the REC starting position and plays back automatically.

If the REC key is pushed during the 4-sec REC operation, the system records further for 4-sec, then returns to the starting position of the first 4-sec REC operation and plays back.

(c) Mechanism SW detection

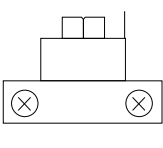
| SW | Display |
|----------------------|-----------------|
| B FWD REC Inhibit SW | CD Calendar (1) |
| B RVS REC Inhibit SW | CD Calendar (2) |
| A Pack SW | CD Calendar (3) |
| B Pack SW | CD Calendar (4) |

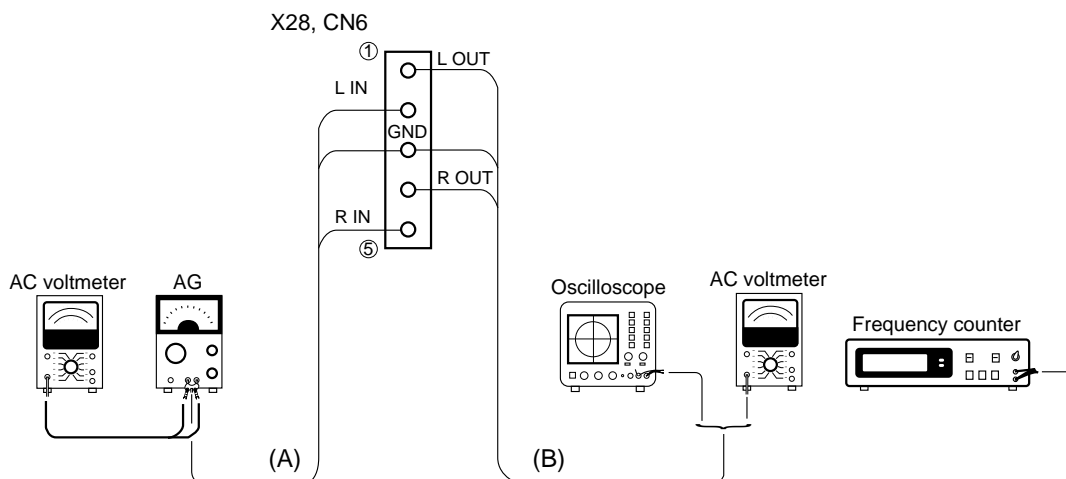
(d) Indication of A/B deck

| A/B key | Display |
|---------|---------|
| A deck | ECHO |
| B deck | SLEEP |

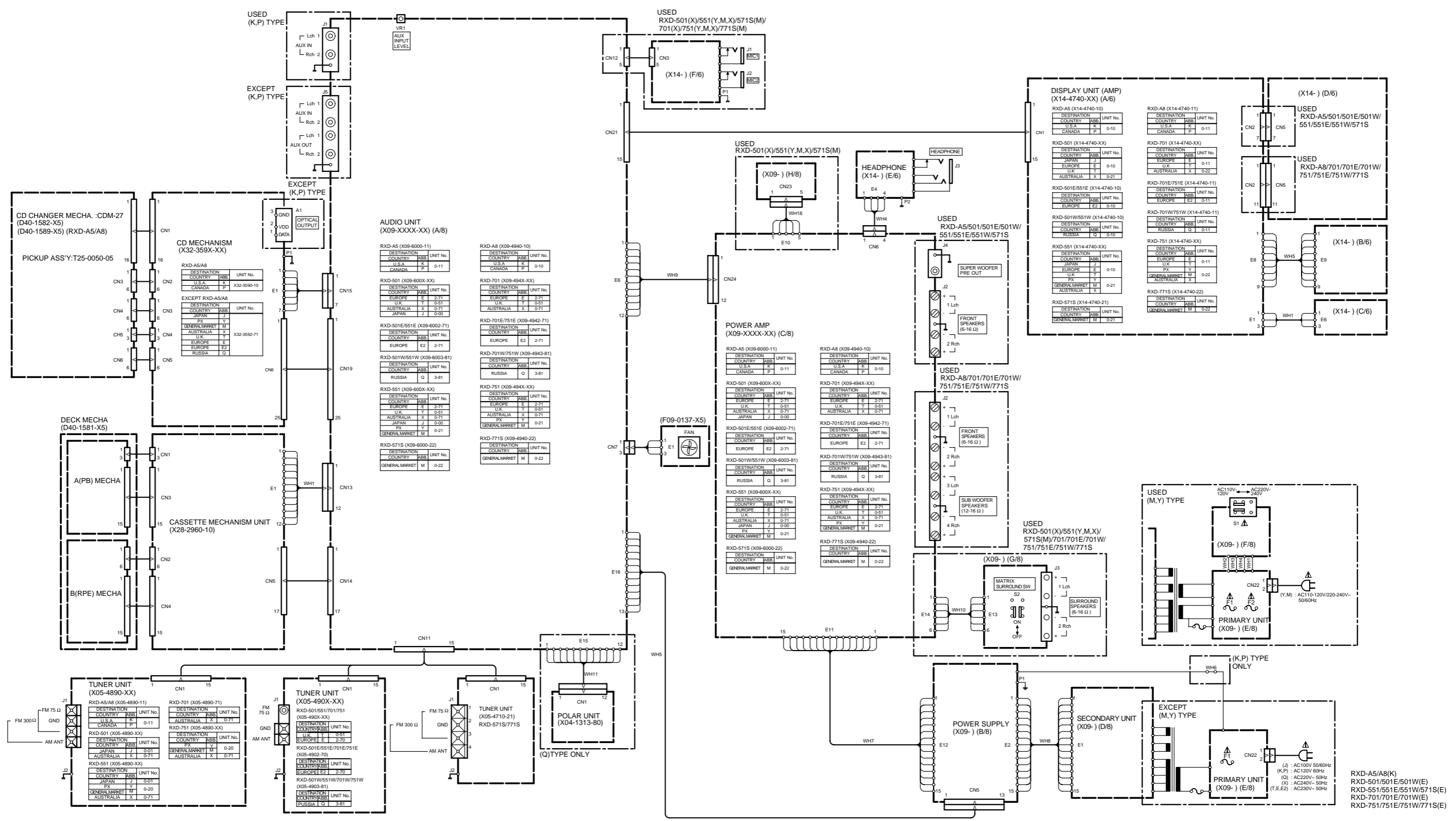
ADJUSTMENT

5. Cassette Deck adjustment

| No | ITEM | INPUT SETTING | OUTPUT SETTING | DECK SETTING | ALIGNMENT POINT | ALIGN FOR | FIG. |
|---|------------------------------|---|----------------|---|--|---|-------------|
| Unless otherwise specified, set the respective switches as follows: TAPE : NORMAL DOLBY : OFF PLAY OUT : Lch (X28,CN6 ①pin), Rch (X28,CN6 ④pin) I . Cassette mechanism unit (Adjustment of the REC / PLAY head) | | | | | | | 0dBs=0.775V |
| < 1 > | Demagnetization and cleaning | - | - | Power : OFF Demagnetization, cleaning, PLAY | Recording head, erase head, capstan pinch roller | Demagnetize the REC / PLAY head with the head eraser. Clean the REC / PLAY head, erase head, capstan and pinch roller using a cotton swab slightly damped with alcohol. | |
| < 2 > | Azimuth of the REC/PLAY head | TCC-153 MTT-114 10kHz, -10dB | (B) | PLAY |  FWD RVS | Adjust the output to maximum and adjust the azimuth adjustment screw for the Lissajours waveform pattern of the oscilloscope to become close to a 45° straight line. | |
| II . PC BOARD ADJUSTMENT | | | | | | | |
| < 1 > | TAPE SPEED(NORMAL) | TCC-110 MTT-111 SCC-1727 3kHz | (B) | PLAY | A DECK VR 5 B DECK VR 6 | Adjust the tape speed so that 3kHz is obtained at the center of the tape. | |
| III . PC BOARD ADJUSTMENT | | | | | | | |
| < 1 > | PLAYBACK LEVEL | MTT-150 400Hz | (B) | PLAY | A DECK VR 7 (L) VR 8 (R) B DECK VR 1 (L) VR 2 (R) | Adjust the playback output to -2.5dBs | |
| < 2 > | BIAS CURRENT | (A) Adjust the AG for the output of the DECK to become 400Hz (-20dB)/12.5kHz (-20dB) | (B) | REC ↕ PLAY | VR 3 (L) VR 4 (R) | Record 400Hz and 12.5kHz alternately, and adjust the bias current adjustment potentiometer for the playback levels to become the same. | |

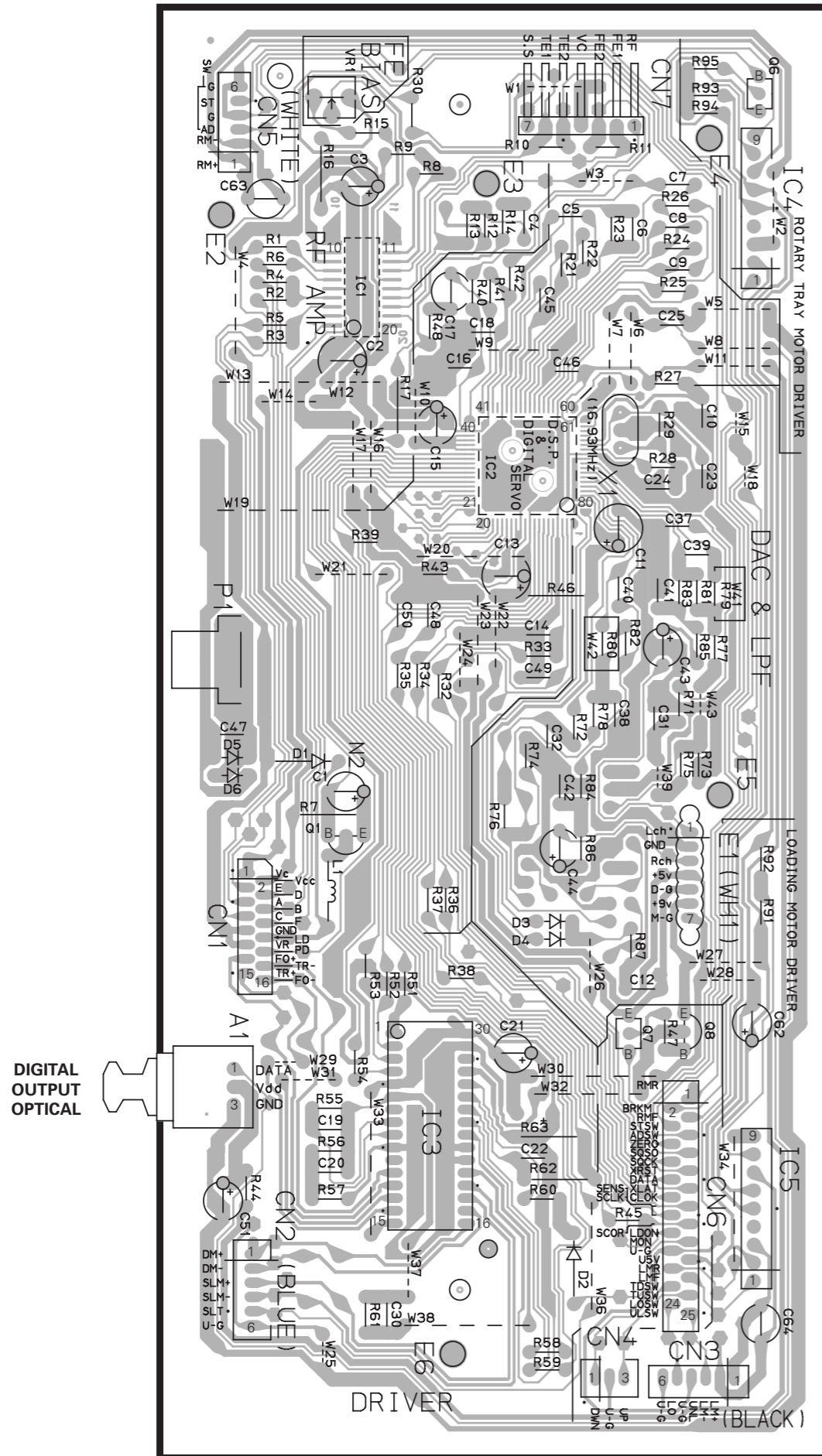


WIRING DIAGRAM



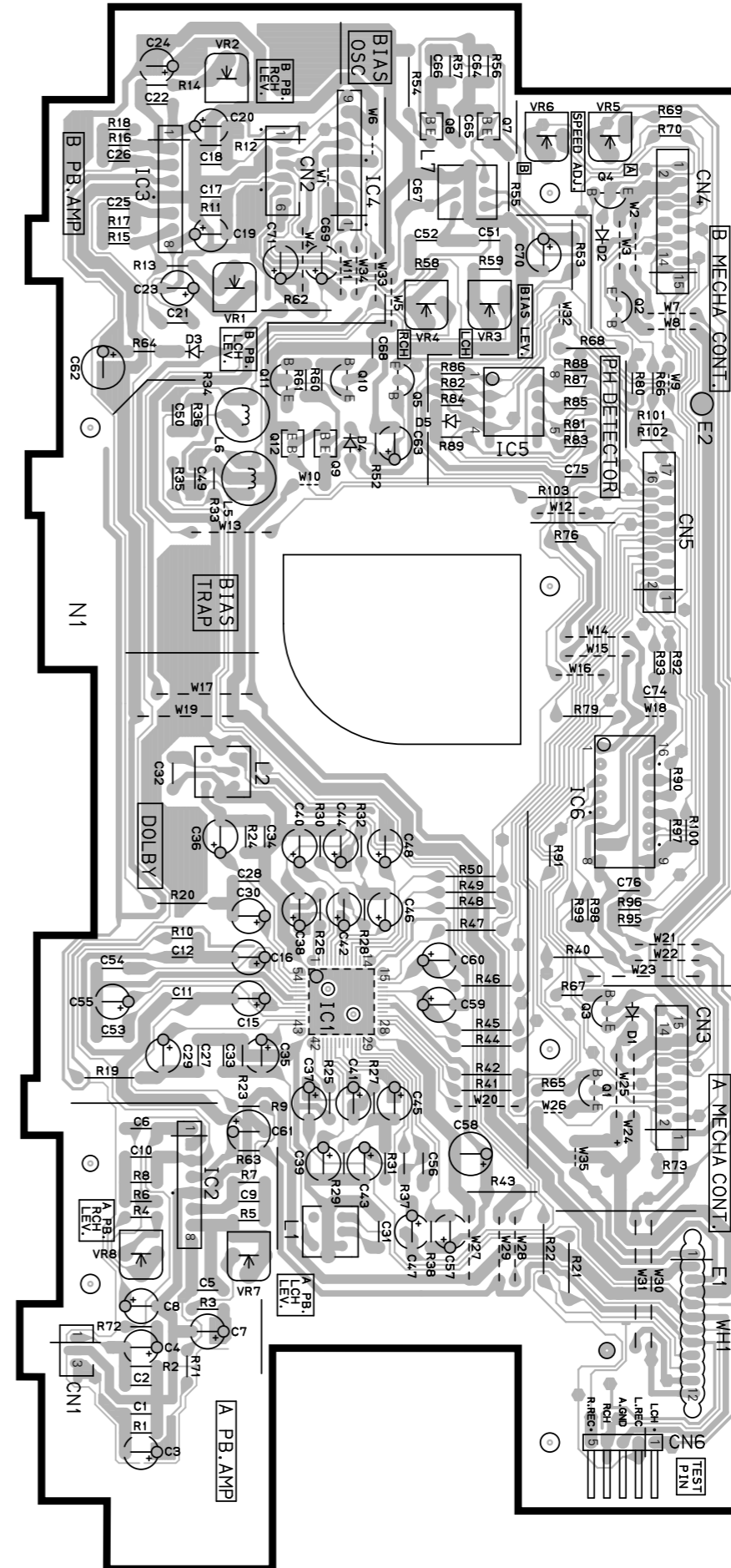
PC BOARD(Component side view)

CD MECHANISM UNIT X32-359X-XX



CASSETTE MECHANISM UNIT

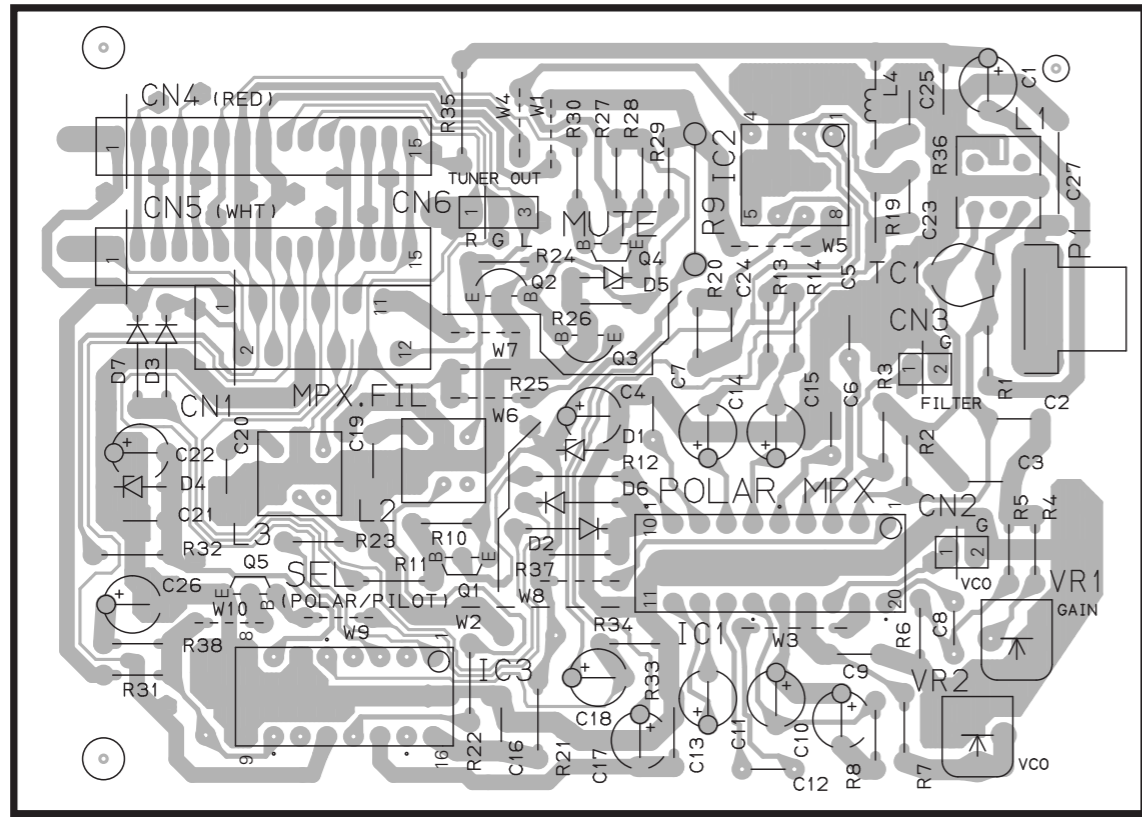
X28-2960-10



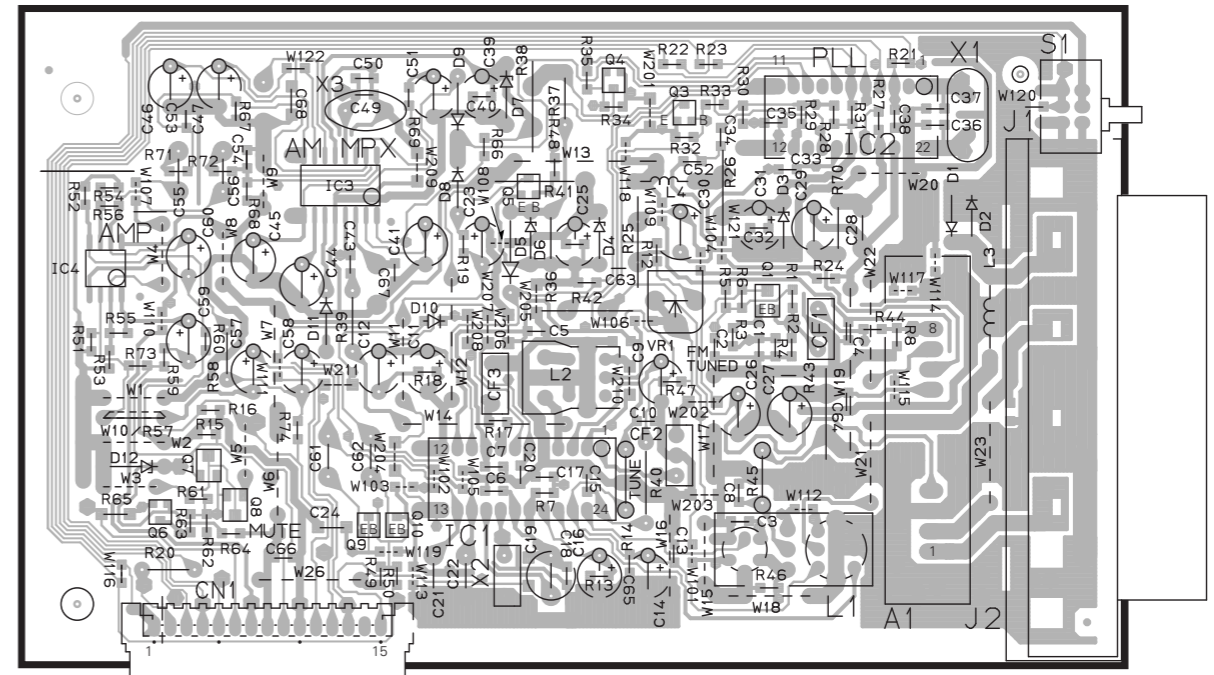
Refer to the schematic diagram for the value of resistors and capacitors.

PC BOARD(Component side view)

MPX UNIT X04-1313-8X

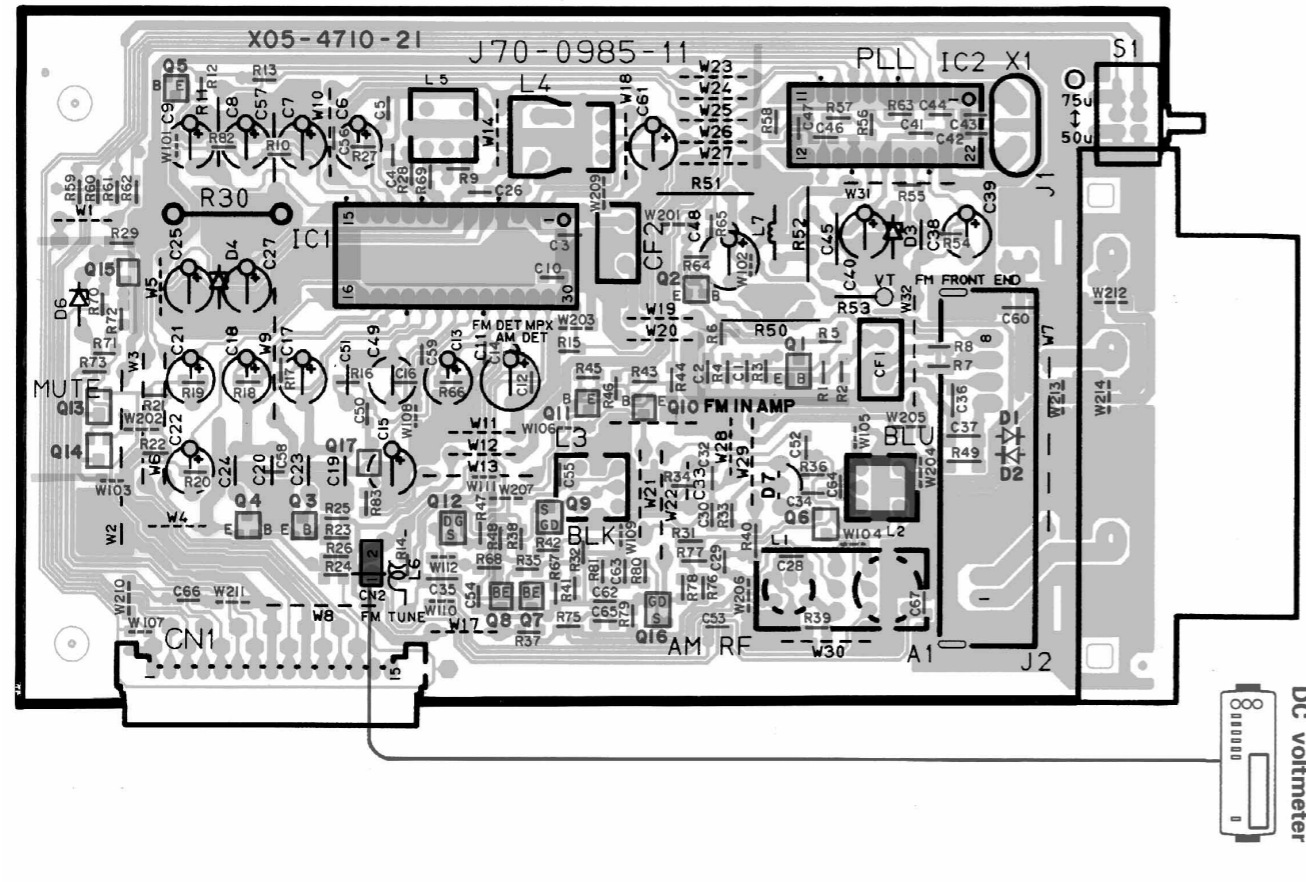


TUNER UNIT X05-4890-XX



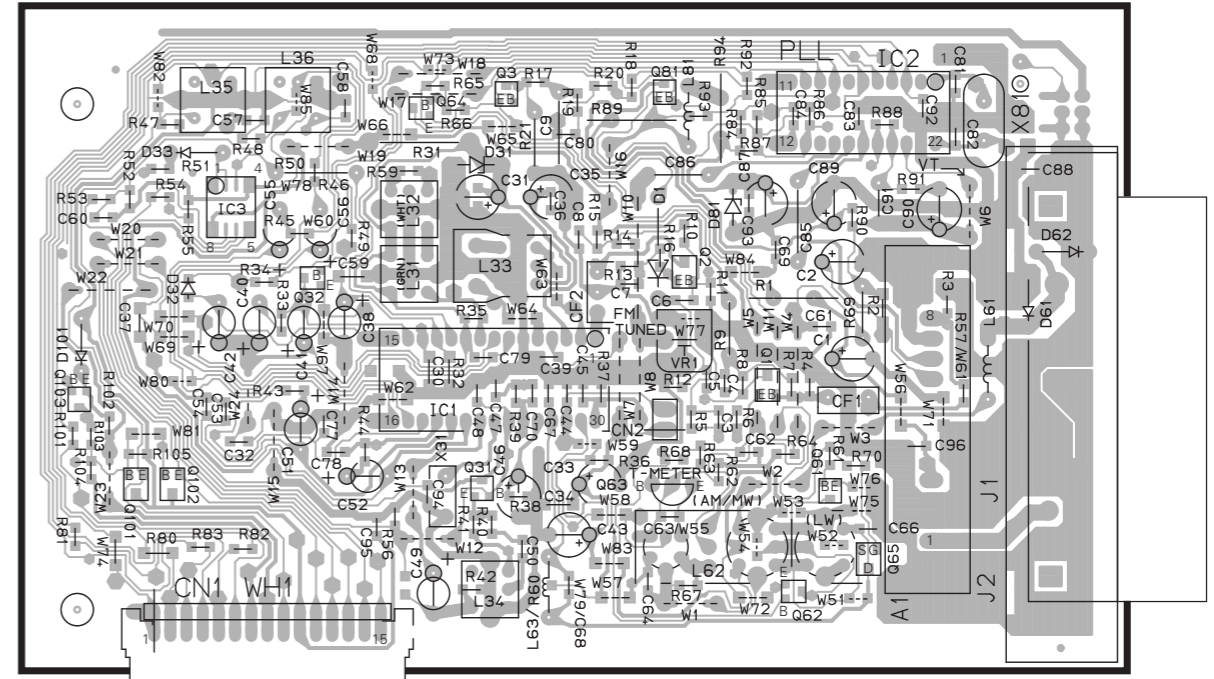
ANTENNA

TUNER UNIT (X05-4710-21)



DISCRIMINATOR : 0V
DC voltmeter

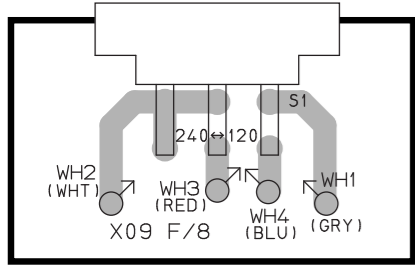
TUNER UNIT X05-490X-XX



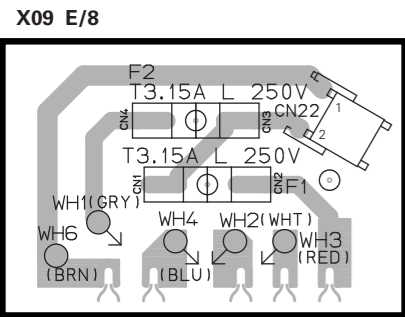
ANTENNA

Refer to the schematic diagram for the value of resistors and capacitors.

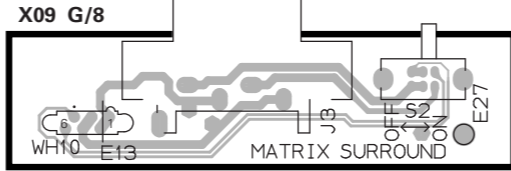
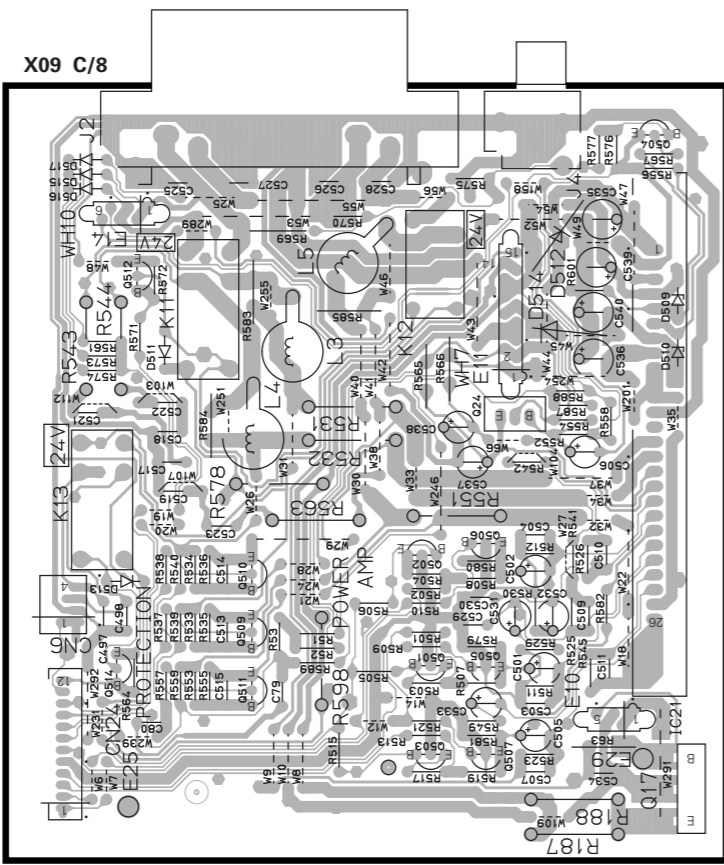
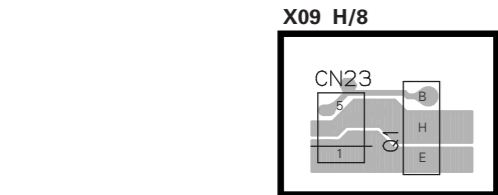
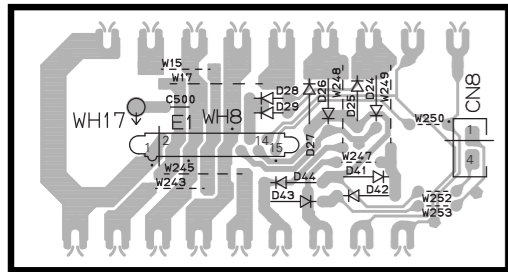
PC BOARD(Component side view)



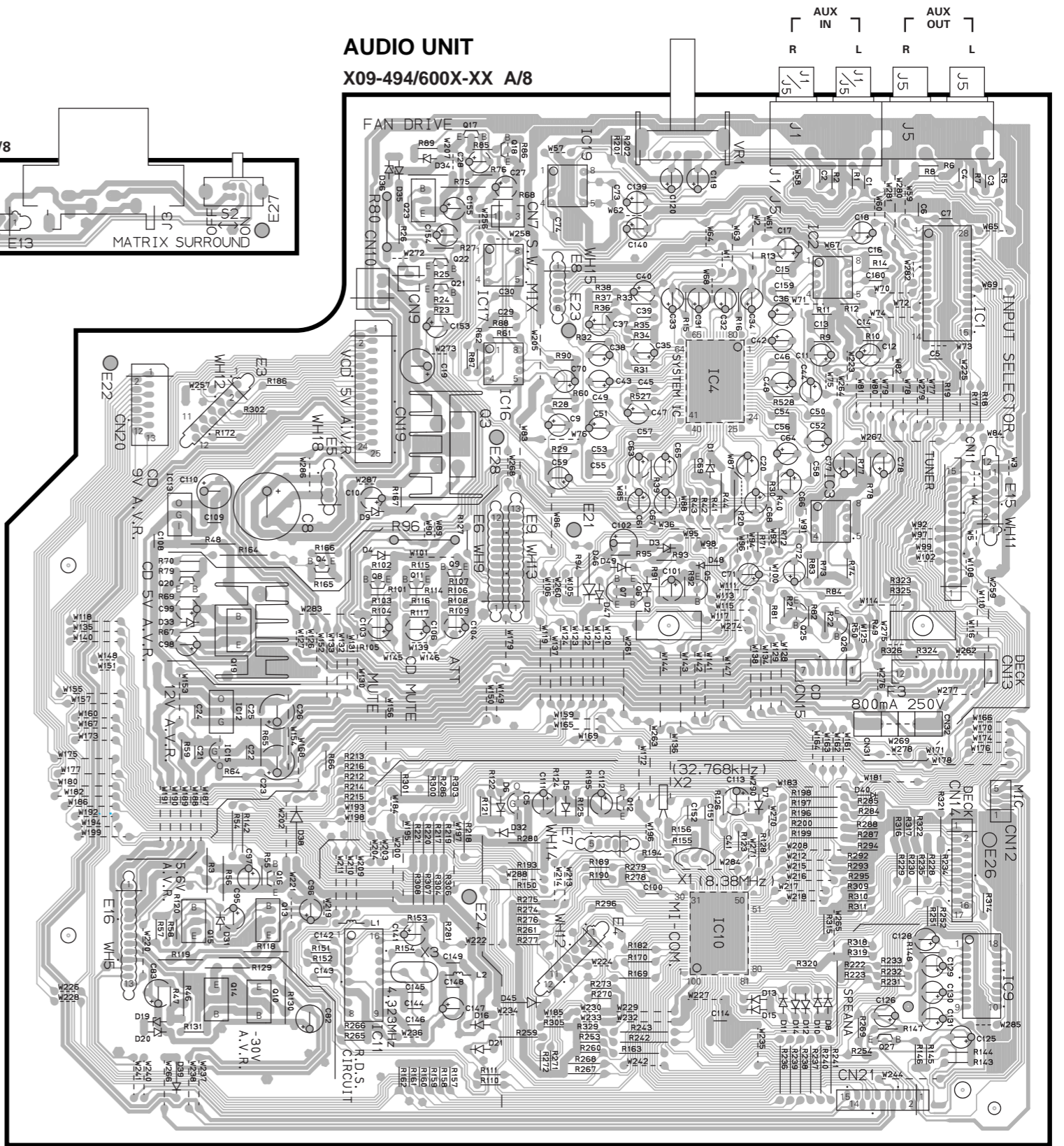
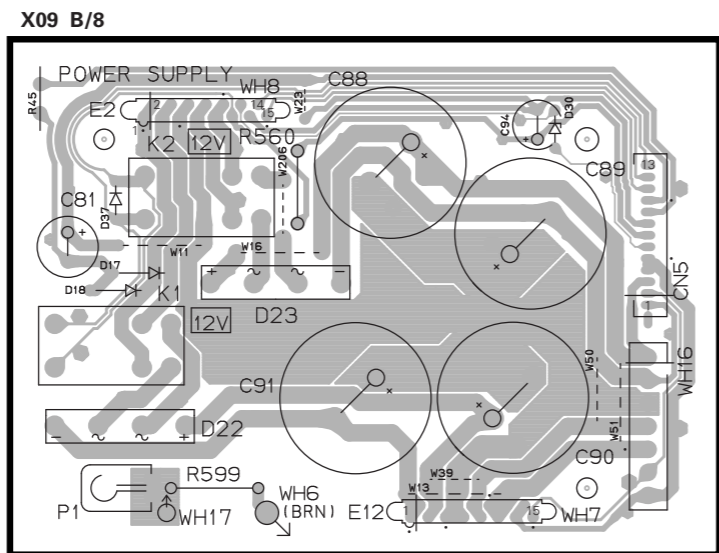
X09 F/8



X09 E/8

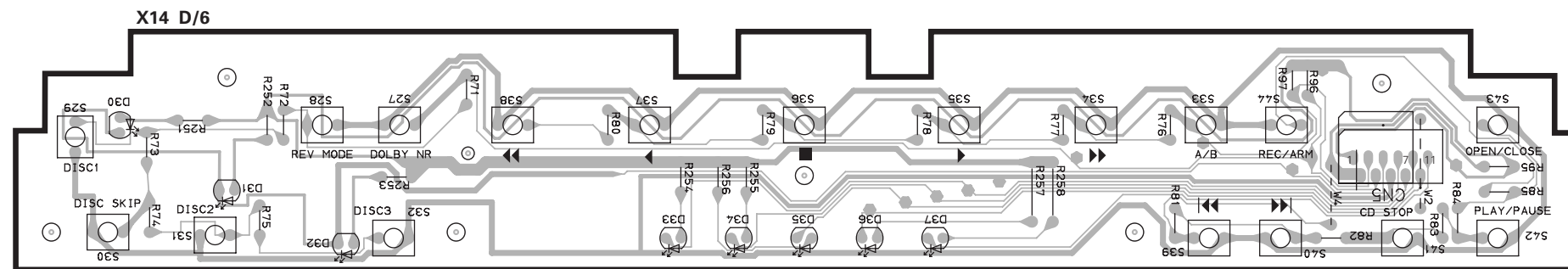
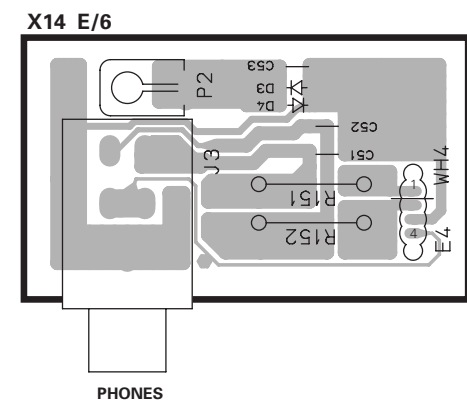
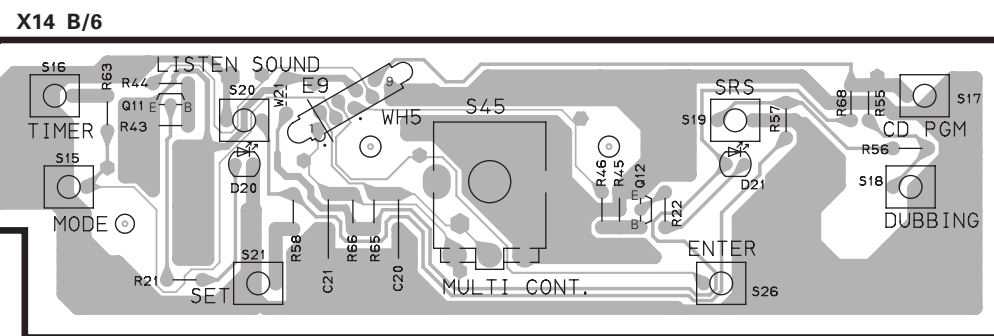
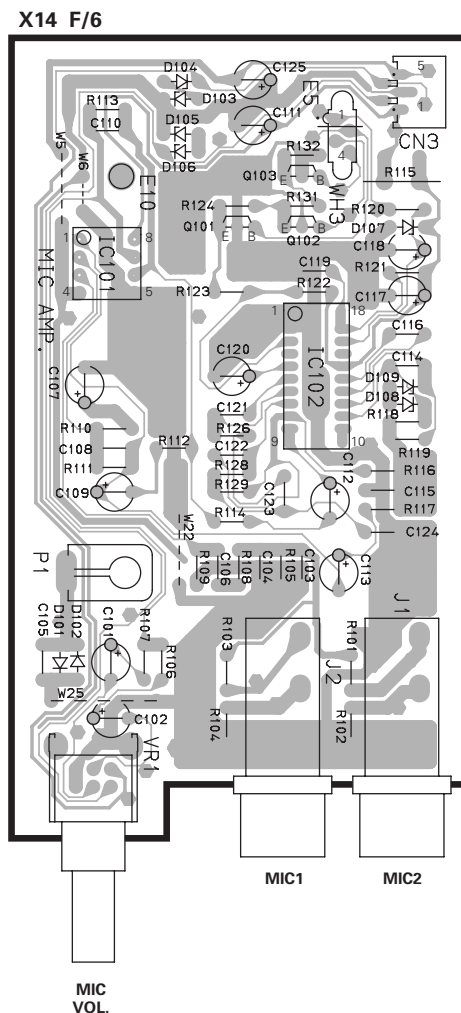
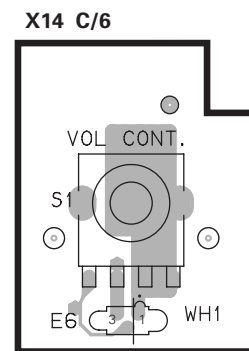
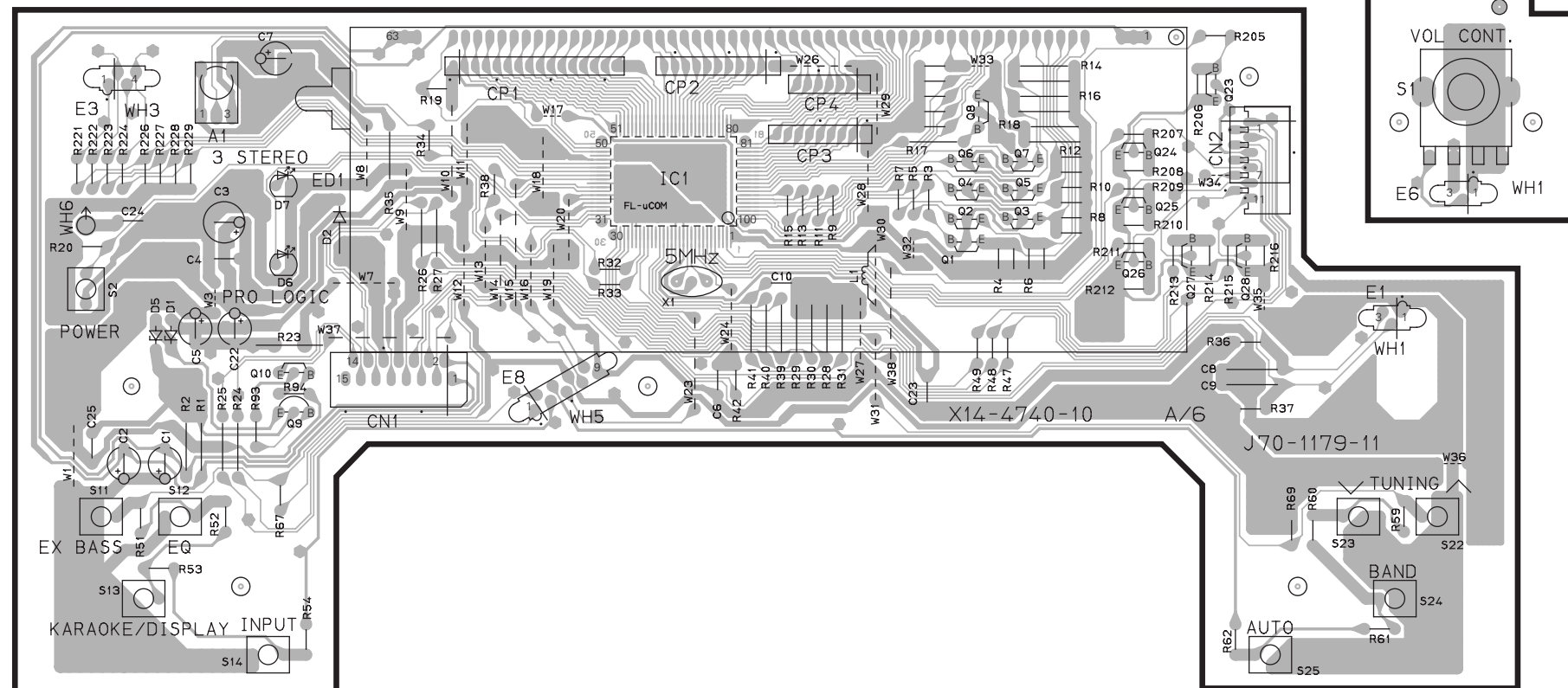


X09 G/8



PC BOARD(Component side view)

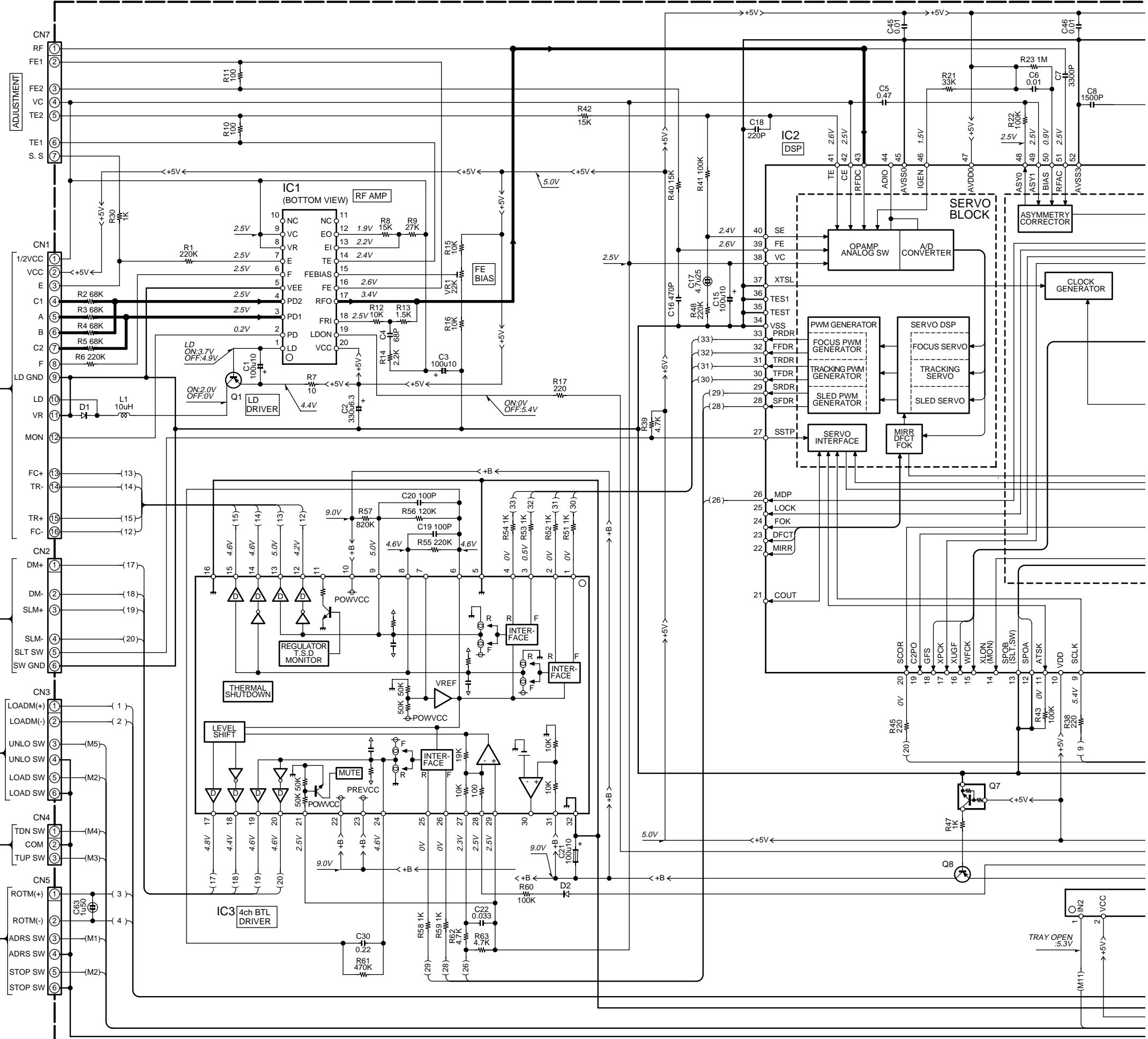
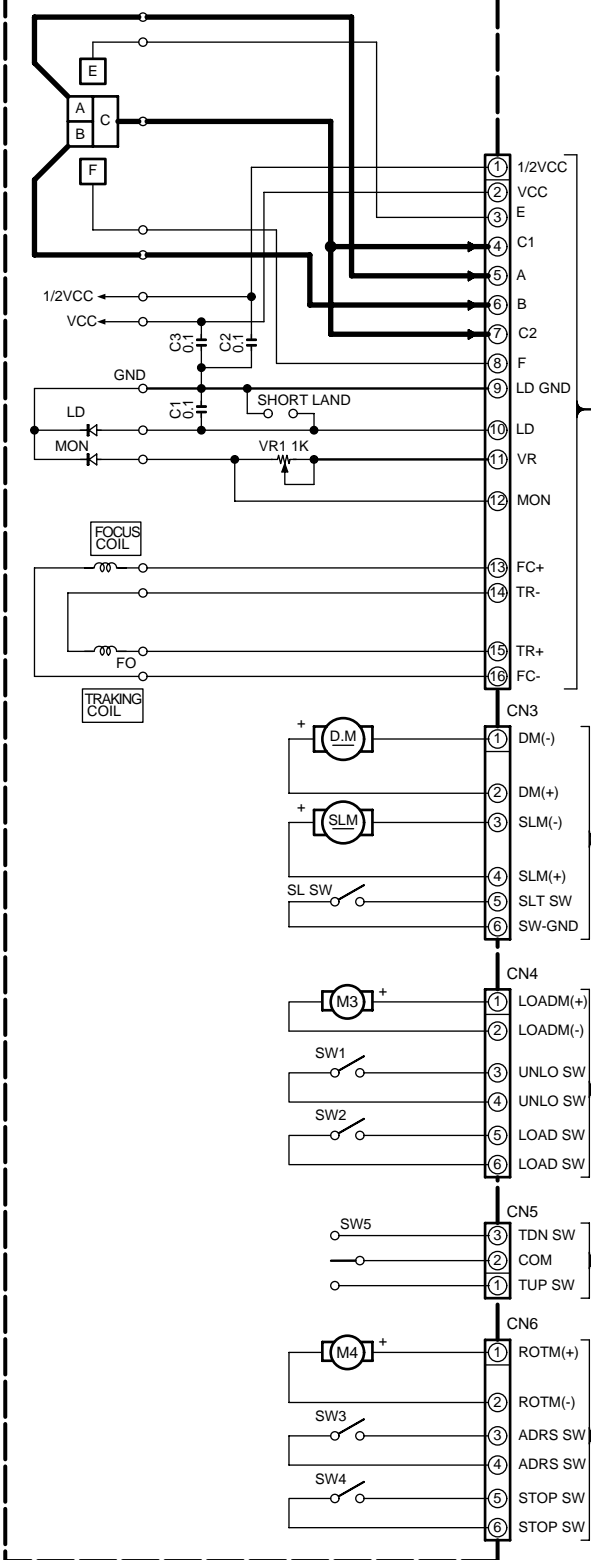
DISPLAY UNIT X14-474X-XX A/6

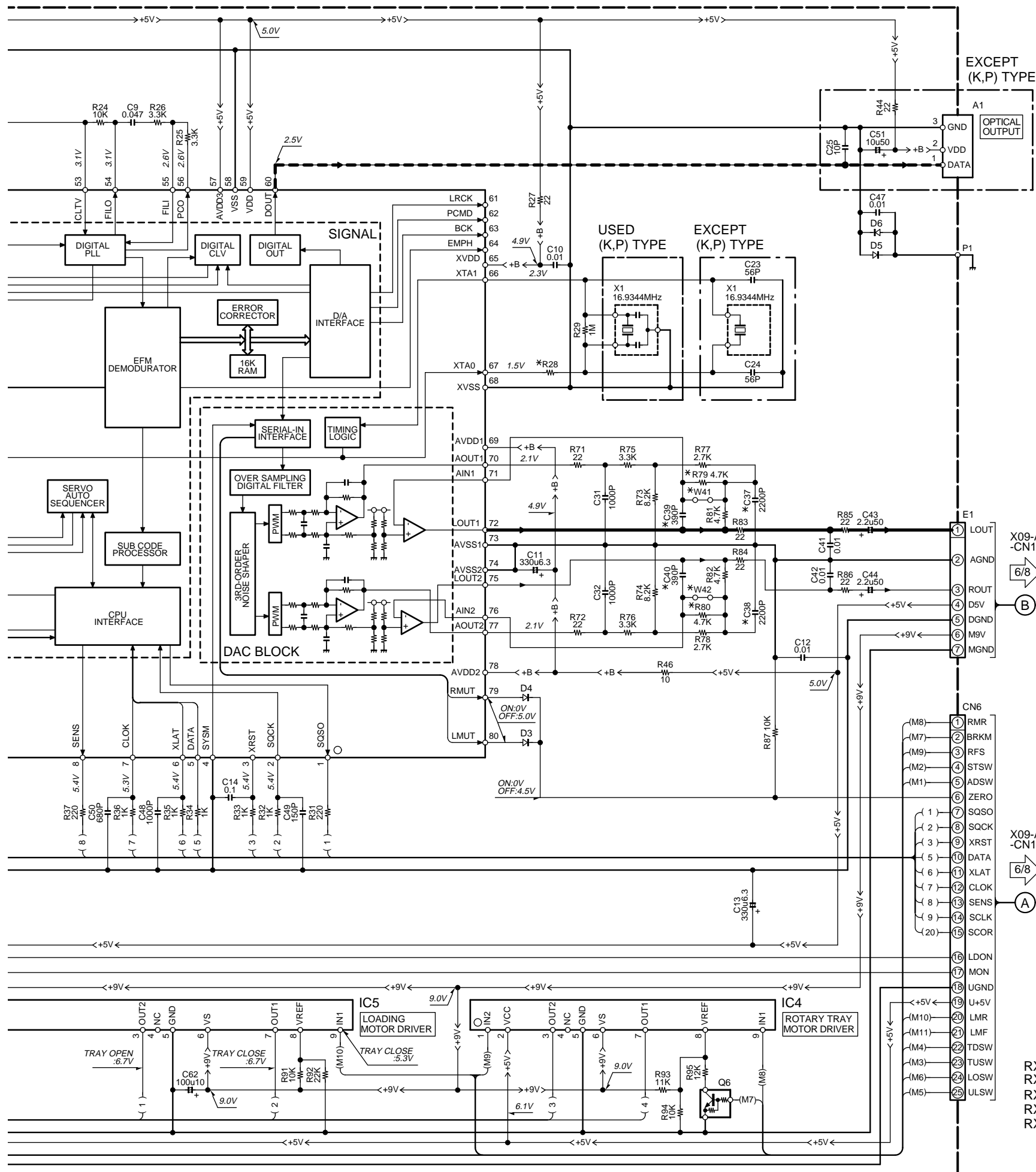


CD MECHANISM
(X32-359X-XX) 0-10: (K,P) TYPE 2-71: EXCEPT (K,P) TYPE

CD CHANGER MECHA.: CDM-27
(D40-1582-X5)
(D40-1589-X5) (RXD-A5/A8)

PICKUP ASS'Y: T25-0050-05





- IC1 : CXA1571M
 IC2 : CXD2587Q
 IC3 : BA5979S
 IC4,5 : TA8409S
- Q1 : 2SA954(L,K)
 Q6,7 : DTC124ESA or UN4212
 Q8 : 2SB764(E,F)
- D1-6 : 1SS133 or HSS104A

RXD-A5/A8 (X32-3590-10)

| DESTINATION COUNTRY | ABB | UNIT No. | C23,24,37-40 | R28 | R79,80 | W41,42 |
|---------------------|-----|----------|--------------|-----|--------|--------|
| U.S.A. | K | 0-10 | NO | 390 | NO | YES |
| CANADA | P | | | | | |

EXCEPT RXD-A5/A8 (X32-3592-71)

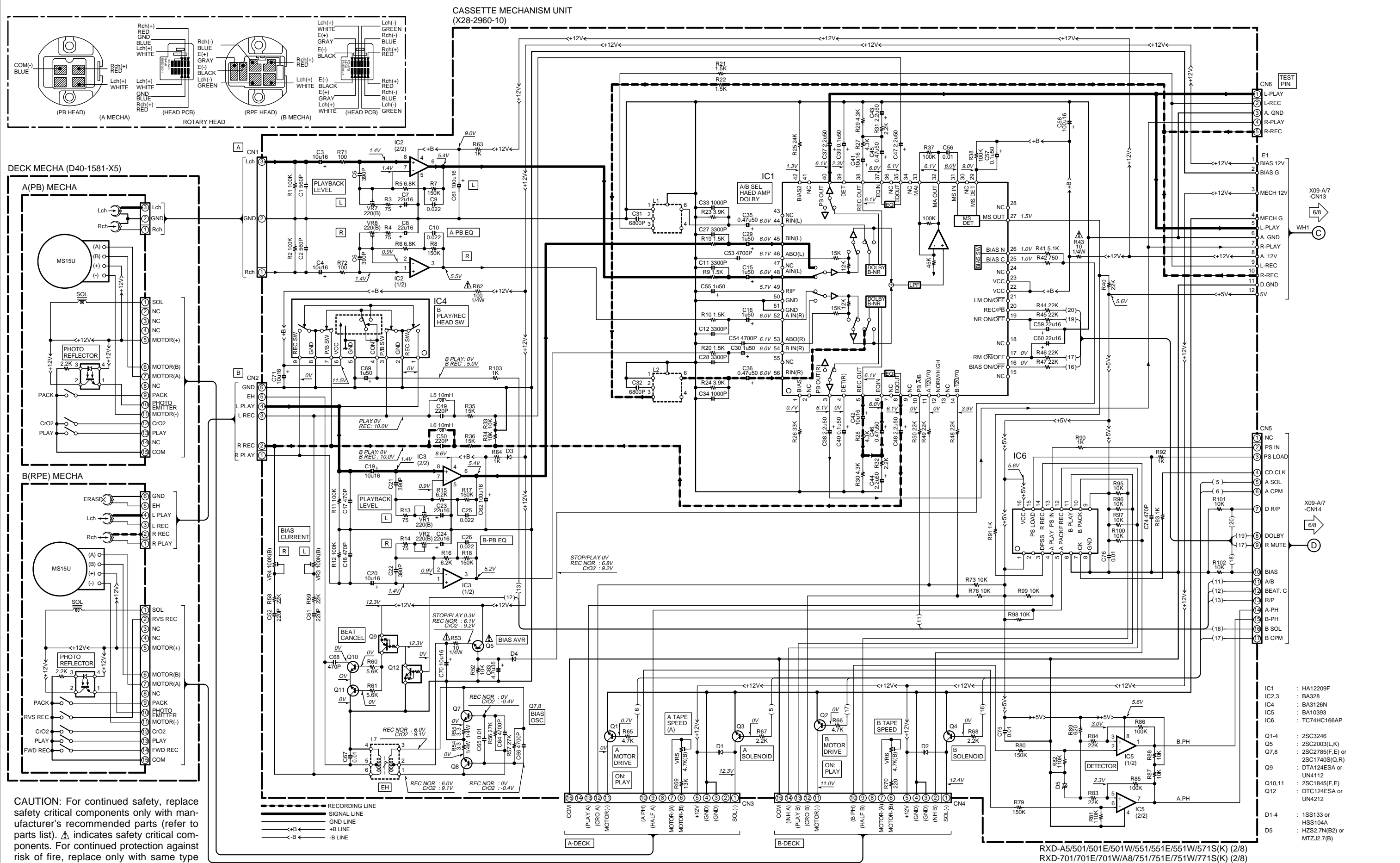
| DESTINATION COUNTRY | ABB | UNIT No. | C23,24,37-40 | R28 | R79,80 | W41,42 |
|---------------------|-----|----------|--------------|-----|--------|--------|
| JAPAN | J | | | | | |
| PX | Y | | | | | |
| GENERAL MARKET | M | | | | | |
| AUSTRALIA | X | 2-71 | YES | 680 | YES | NO |
| U.K. | T | | | | | |
| EUROPE | E | | | | | |
| EUROPE | E2 | | | | | |
| RUSSIA | Q | | | | | |

CAUTION: For continued safety, replace safety critical components only with manufacturer's recommended parts (refer to parts list). ⚠ indicates safety critical components. For continued protection against risk of fire, replace only with same type and rating fuse(s). To reduce the risk of electric shock, leakage-current or resistance measurements shall be carried out (exposed parts are acceptably insulated from the supply circuit) before the appliance is returned to the customer.

The DC voltage is an actual reading measured with a high impedance type voltmeter. The measurement value may vary depending on the measuring instruments used or on the product. Refer to the voltage during PLAY unless otherwise specified; The value shown in () is the voltage measured at the moment of STOP.

- RXD-A5/A8(K) (1/8)
 RXD-501/501E/501W(E) (1/8)
 RXD-551/551E/551W/571S(E) (1/8)
 RXD-701/701E/701W(E) (1/8)
 RXD-751/751E/751W/771S(E) (1/8)

RXD-501/551/571/A5/701/751/771/A8



CAUTION: For continued safety, replace safety critical components only with manufacturer's recommended parts (refer to parts list). Δ indicates safety critical components. For continued protection against risk of fire, replace only with same type and rating fuse(s). To reduce the risk of electric shock, leakage-current or resistance measurements shall be carried out (exposed parts are acceptably insulated from the supply circuit) before the appliance is returned to the customer.

The DC voltage is an actual reading measured with a high impedance type voltmeter with a cassette loaded at playback mode. The measurement value may vary depending on the measuring instruments used or on the product. Bias circuit DC voltage is measured while in the record mode.

DOLBY and the double-D symbol are trademarks of Dolby Laboratories Licensing Corporation. Noise reduction circuit made under license from Dolby Laboratories Licensing Corporation.

Y39-2850-10

RXD-A5/501/501E/501W/551/551E/551W/571S(K) (2/8)
 RXD-701/701E/701W/A8/751/751E/751W/771S(K) (2/8)

RXD-501/551/571/A5/701/751/771/A8

KENWOOD

TUNER UNIT
(X05-4890-XX) RXD-A5/A8(K,P), RXD-501(J,X), RXD-551(J,Y,M,X), RXD-701(X), RXD-751(Y,M,X)

RXD-A5/A8 (X05-4890-11)

| DESTINATION | COUNTRY | ABB | UNIT No. | C4 | C21, 22 | C28 | W115 | A1 |
|-------------|---------|-----|----------|----|---------|-------|------|-------------|
| U.S.A | K | | 0-11 | NO | NO | 0.018 | YES | NO |
| CANADA | P | | | | | | | W02-2638-05 |

RXD-501 (X05-4890-XX)

| DESTINATION | COUNTRY | ABB | UNIT No. | C4 | C21, 22 | C28 | W115 | A1 |
|----------------|---------|-----|----------|-----|---------|-------|------|-----|
| JAPAN | J | | 0-01 | NO | YES | 0.012 | NO | NO |
| GENERAL MARKET | Y | | 0-20 | YES | NO | 0.012 | YES | YES |
| AUSTRALIA | X | | 0-71 | NO | NO | 0.012 | YES | NO |

RXD-551 (X05-4890-XX)

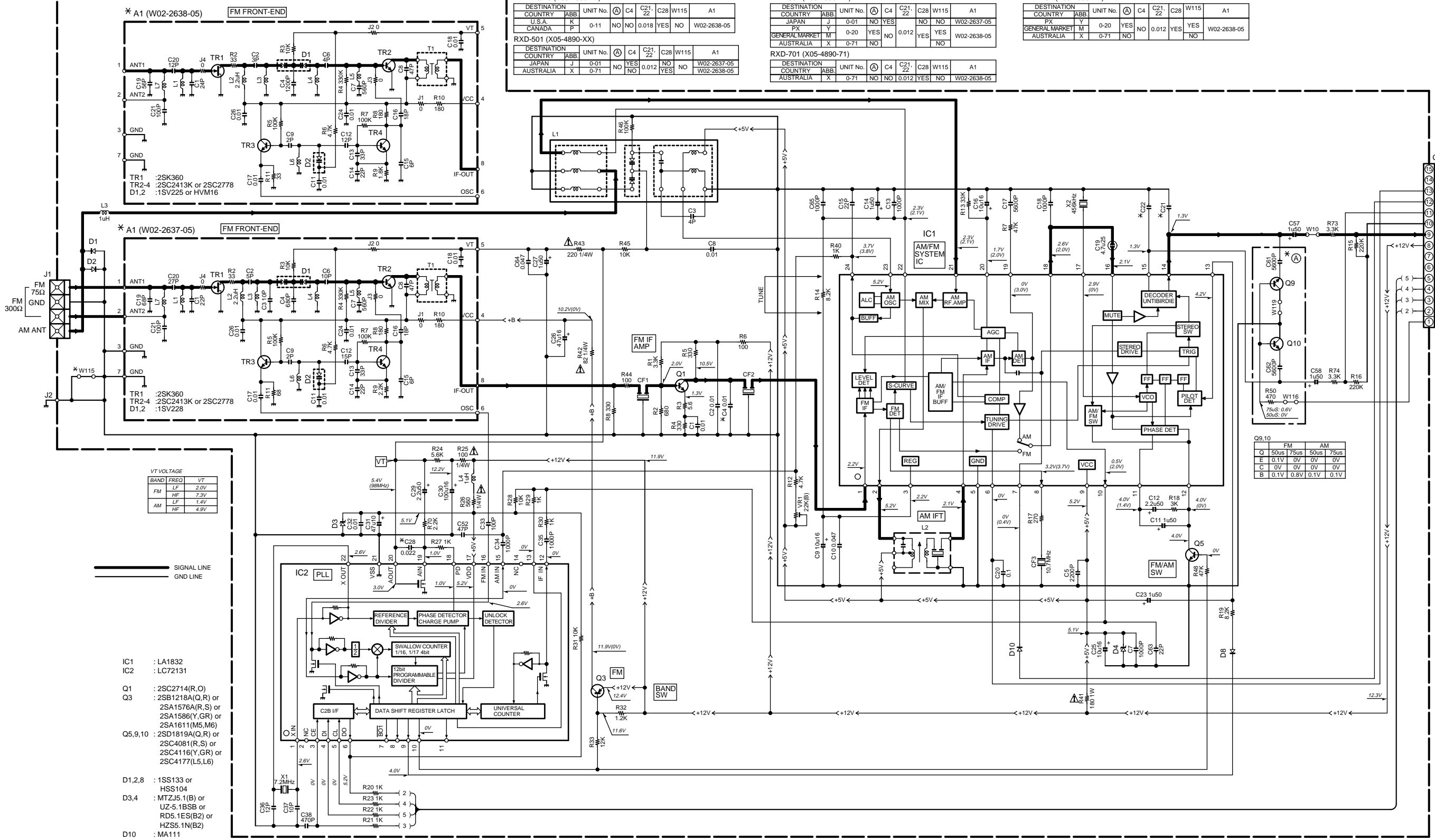
| DESTINATION | COUNTRY | ABB | UNIT No. | C4 | C21, 22 | C28 | W115 | A1 |
|----------------|---------|-----|----------|-----|---------|-------|------|-------------|
| JAPAN | J | | 0-01 | NO | YES | NO | NO | W02-2637-05 |
| GENERAL MARKET | Y | | 0-20 | YES | NO | 0.012 | YES | YES |
| AUSTRALIA | X | | 0-71 | NO | NO | 0.012 | YES | NO |

RXD-701 (X05-4890-71)

| DESTINATION | COUNTRY | ABB | UNIT No. | C4 | C21, 22 | C28 | W115 | A1 |
|-------------|---------|-----|----------|----|---------|-------|------|----|
| AUSTRALIA | X | | 0-71 | NO | NO | 0.012 | YES | NO |

RXD-751 (X05-4890-XX)

| DESTINATION | COUNTRY | ABB | UNIT No. | C4 | C21, 22 | C28 | W115 | A1 |
|-------------|---------|-----|----------|----|---------|-------|------|-------------|
| U.S.A | K | | 0-11 | NO | NO | 0.018 | YES | NO |
| CANADA | P | | | | | | | W02-2638-05 |



VT VOLTAGE

| BAND | FREQ | VT |
|------|------|------|
| FM | LF | 2.0V |
| FM | HF | 7.3V |
| AM | LF | 1.4V |
| AM | HF | 4.9V |

SIGNAL LINE
GND LINE

- IC1 : LA1832
- IC2 : LC72131
- Q1 : 2SC2714(R,O)
- Q3 : 2SB1218A(Q,R) or 2SA1576A(R,S) or 2SA1586(Y,GR) or 2SA1611(M5,M6)
- Q5,9,10 : 2SD1819A(Q,R) or 2SC4081(R,S) or 2SC4116(Y,GR) or 2SC4177(L5,L6)
- D1,2,8 : 1SS133 or HSS104
- D3,4 : MTZJ5.1(B) or UZ-5.1BSB or RD5.1ES(B2) or HZS5.1N(B2)
- D10 : MA111

RXD-A5/A8(K) (3/8)
RXD-501(J,X)/RXD-551(J,Y,M,X) (3/8)
RXD-701(X)/RXD-751(Y,M,X) (3/8)

CAUTION: For continued safety, replace safety critical components only with manufacturer's recommended parts (refer to parts list). Δ indicates safety critical components. For continued protection against risk of fire, replace only with same type and rating fuse(s). To reduce the risk of electric shock, leakage-current or resistance measurements shall be carried out (exposed parts are acceptably insulated from the supply circuit) before the appliance is returned to the customer.

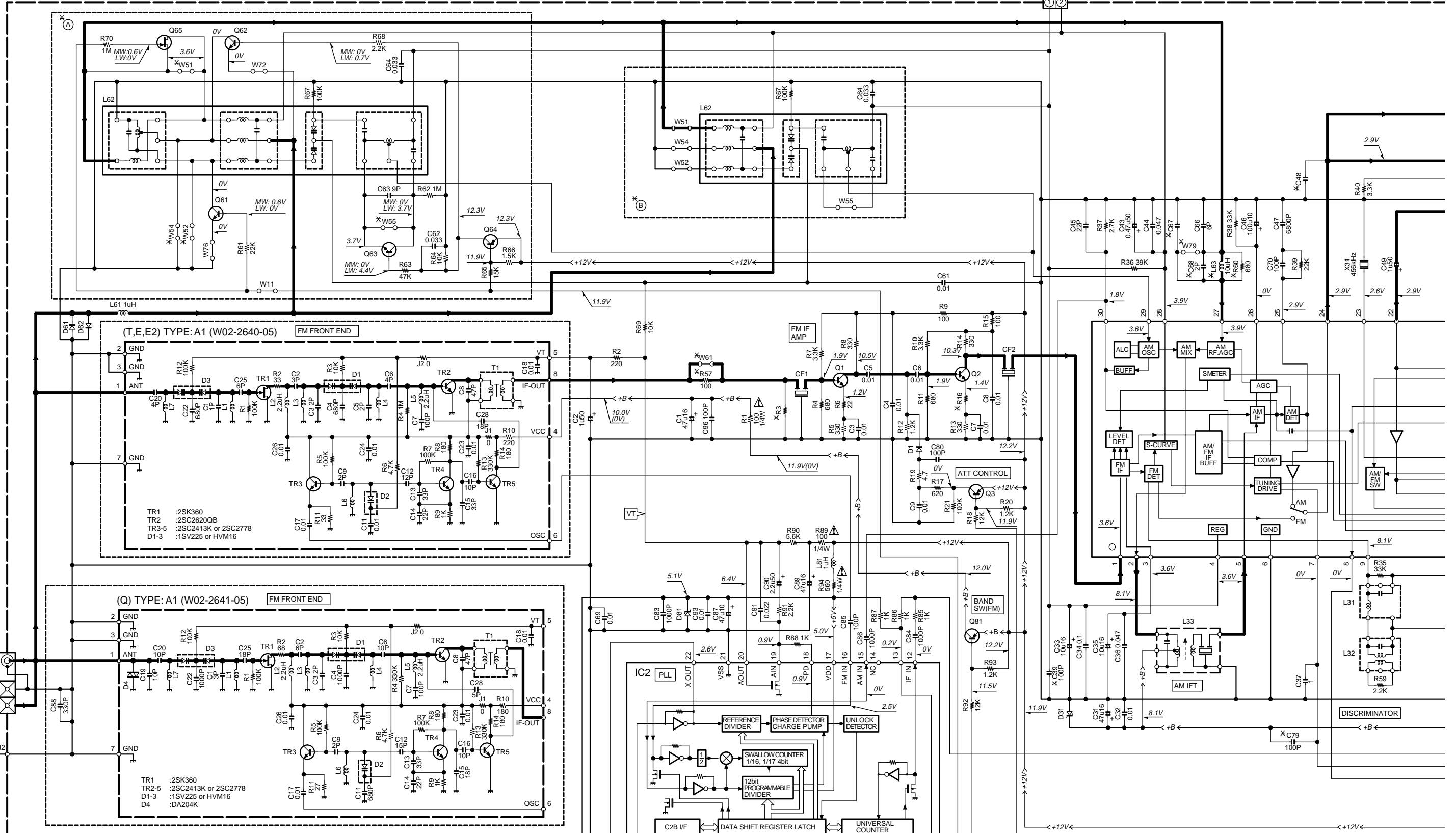
The DC voltage is an actual reading measured with a high impedance type voltmeter as the AM/FM signal generator is specified to the conditions as shown in the list below. The measurement value may vary depending on the measuring instruments used or the product. The value shown in () is actual reading measured in the AM mode.

| MODE | CARRIER | MODULATION | | ANT INPUT |
|------|--------------|------------|------------------------------|-----------|
| | | FREQUENCY | DEVIATION | |
| FM | 98MHz | 1kHz | STEREO 67.5kHz 7.5kHz(Pilot) | 60dB |
| AM | 1000(999)kHz | 400Hz | MONO 30% MOD | 60dB |

Y39-2850-10

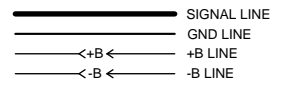
RXD-501/551/571/A5/701/751/771/A8

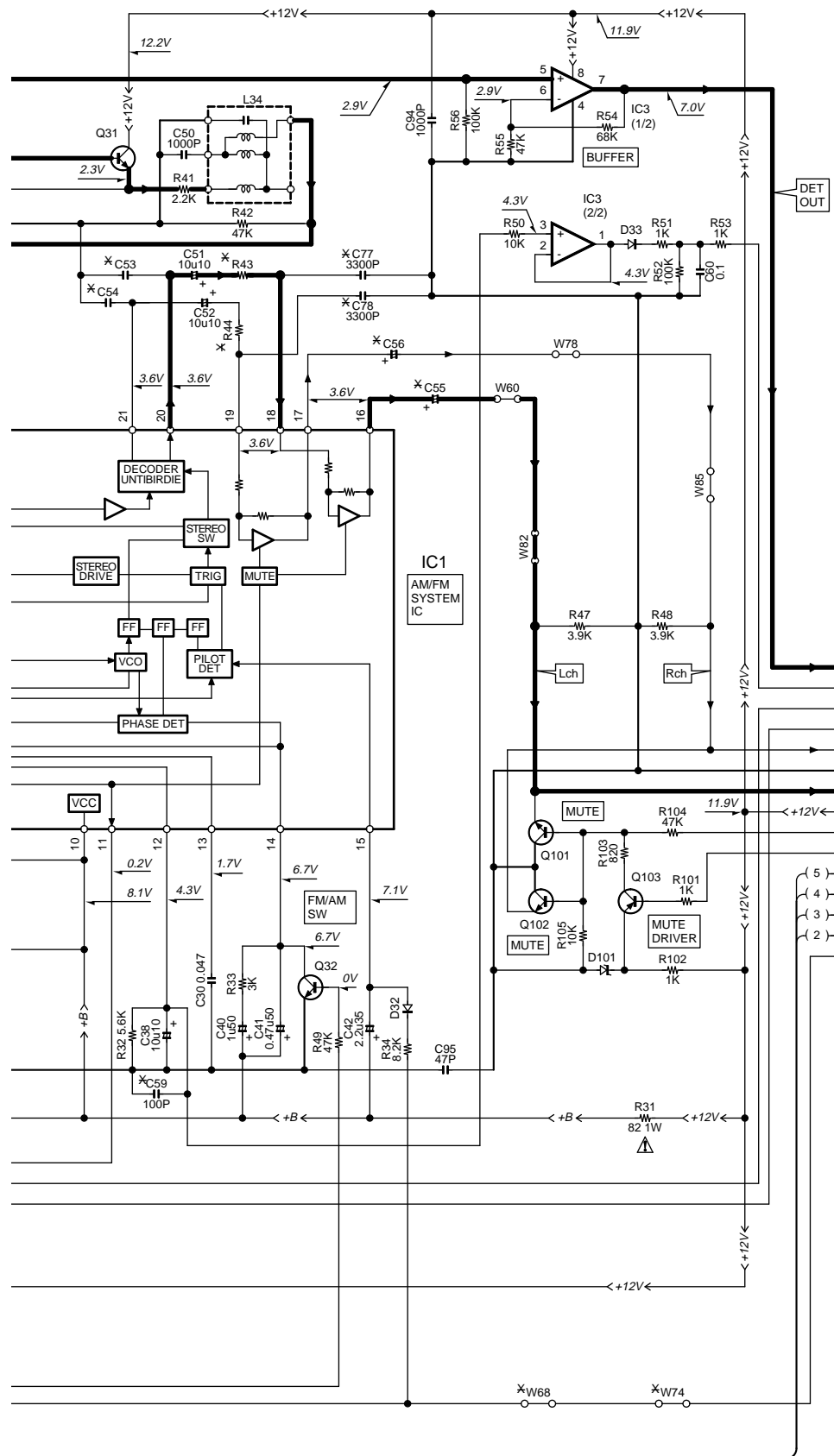
KENWOOD



- IC1 : LA1836
- IC2 : LC72131
- IC3 : NJM2904M
- Q1,2 : 2SC2714(R,O)
- Q3,81,64,103 : 2SA1576A(R,S) or 2SB1218A(Q,R) or 2SA1586(Y,GR)
- Q31,32,61,62 : 2SC4081(R,S) or 2SD1819A(Q,R) or 2SC4116(Y,GR)
- Q63 : 2SC2878(B)
- Q101,102 : 2SD2114K
- D1,33,61,62 : 1SS133 or HSS104
- D31 : MTZJ8.2(B) or UZ-8.2BSB or RD8.2ES(B) or HZS8.2N(B)
- D32 : MA111
- D81 : MTZJ5.1(B) or UZ-5.1BSB or RD5.1ES(B) or HZS5.1N(B)
- D101 : MTZJ3.3(B) or HZS3.3N(B2)

| VT VOLTAGE | | |
|------------|------|------|
| BAND | FREQ | VT |
| FM | LF | 2.3V |
| FM | HF | 7.7V |
| AM | LF | 1.2V |
| AM | HF | 4.6V |





RXD-501/551/701/751 (X05-490X-XX)

| DESTINATION COUNTRY ABB. | UNIT No. | (A) | (B) | C39,59,79,88 | C48 | C53,54 | C55,56 | C67 | C68 | C77,78 | R3 | R16 | R43,44 | R57 | R60 | L62 | L63 | W51,52,54,55,61 | W61 | W68,74,79 | J2 | A1 | |
|--------------------------|----------|------|-----|--------------|-----|--------|--------|--------|-----|--------|------|------|--------|-----|-----|----------|----------|-----------------|-----|-----------|----|----------|----------|
| U.K. | T | 0-51 | YES | NO | NO | 560P | 0.015 | 2.2u35 | 33P | NO | YES | 3.3K | 22 | 22K | NO | YES | L39-1368 | NO | NO | YES | NO | F10-1053 | W02-2640 |
| EUROPE | E | 2-70 | NO | YES | NO | 560P | 0.015 | 2.2u35 | 22P | YES | 3.3K | 22 | 22K | NO | NO | L39-1367 | YES | YES | NO | NO | NO | F10-1053 | W02-2640 |

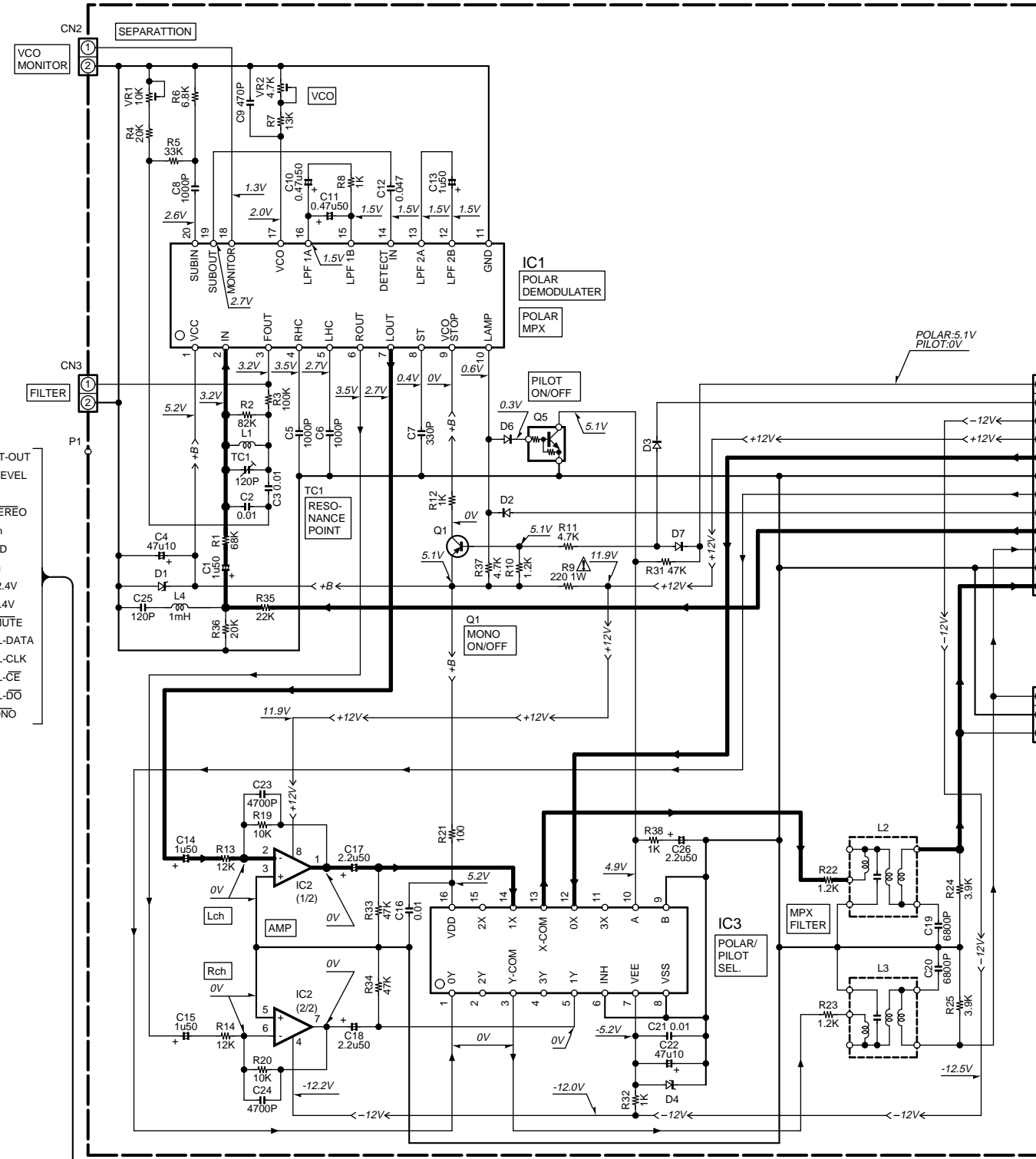
RXD-501E/551E/701E/751E (X05-4902-70)

| DESTINATION COUNTRY ABB. | UNIT No. | (A) | (B) | C39,59,79,88 | C48 | C53,54 | C55,56 | C67 | C68,77,78 | R3 | R16 | R43,44 | R57,80 | R60 | L62 | L63 | W68,74,79 | W51,52,54,55,61 | J2 | A1 | | |
|--------------------------|----------|------|-----|--------------|-----|--------|--------|--------|-----------|-----|------|--------|--------|-----|-----|----------|-----------|-----------------|-----|----|----------|----------|
| EUROPE | E2 | 2-70 | NO | YES | NO | 560P | 0.015 | 2.2u35 | 22P | YES | 3.3K | 22 | 22K | NO | NO | L39-1367 | YES | NO | YES | NO | F10-1053 | W02-2640 |

RXD-501W/551W/701W/751W (X05-4903-81)

| DESTINATION COUNTRY ABB. | UNIT No. | (A) | (B) | C39,59,79,88 | C48 | C53,54 | C55,56 | C67 | C68,77,78 | R3 | R16 | R43,44 | R57,80 | R60 | L62 | L63 | W68,74,79 | W51,52,54,55,61 | J2 | A1 | | |
|--------------------------|----------|------|-----|--------------|-----|--------|--------|--------|-----------|----|-----|--------|--------|-----|-----|----------|-----------|-----------------|----|----|----------|----------|
| RUSSIA | Q | 3-81 | YES | NO | YES | 470P | 0.018 | 3.3u25 | 22P | NO | 330 | 47 | 12K | YES | NO | L39-1368 | NO | NO | NO | NO | F10-1088 | W02-2641 |

POLAR UNIT (X04-1313-80) (Q)TYPE ONLY



- (X04-) IC1 : IR3R42
- IC2 : NJM4565D
- IC3 : TC4052BP
- Q1 : 2SA933AS(Q,R) or 2SA1175(F,E)
- Q5 : DTC124ESA or UN4212
- D1,4 : MTZJ5.1(B) or UZ5.1BSB or HZS5.1N(B2)
- D2,3,6,7 : 1SS133 or HSS104

- CN1 1 POLAR/PILOT (POLAR H/PILOT L)
- 2 MONO
- 3 -12V
- 4 +12V
- 5 L(IN)
- 6 GND
- 7 R(IN)
- 8 ST
- 9 FM DET
- 10 R(OUT)
- 11 GND
- 12 L(OUT)

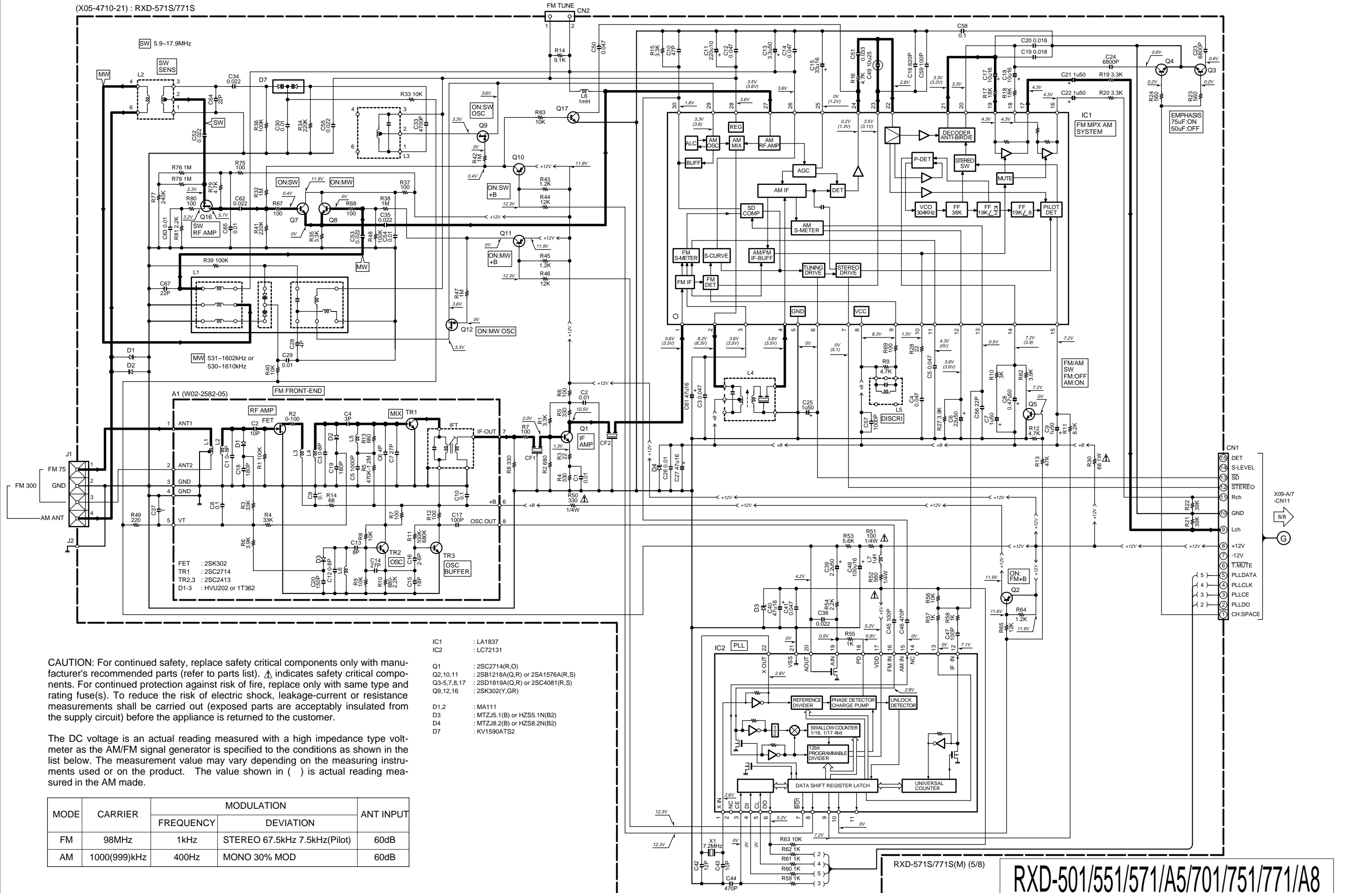
CAUTION: For continued safety, replace safety critical components only with manufacturer's recommended parts (refer to parts list). ⚠ indicates safety critical components. For continued protection against risk of fire, replace only with same type and rating fuse(s). To reduce the risk of electric shock, leakage-current or resistance measurements shall be carried out (exposed parts are acceptably insulated from the supply circuit) before the appliance is returned to the customer.

RED-501/551/701/751(T,E) (4/8)
 RXD-501E/551E/701E/751E(E2) (4/8)
 RXD-501W/551W/701W/751W(Q) (4/8)

The DC voltage is an actual reading measured with a high impedance type voltmeter as the AM/FM signal generator is specified to the conditions as shown in the list below. The measurement value may vary depending on the measuring instruments used or on the product. The value shown in () is actual reading measured in the AM mode.

| MODE | CARRIER | MODULATION | | ANT INPUT |
|------|--------------|------------|------------------------------|-----------|
| | | FREQUENCY | DEVIATION | |
| FM | 98MHz | 1kHz | STEREO 67.5kHz 7.5kHz(Pilot) | 60dB |
| AM | 1000(999)kHz | 400Hz | MONO 30% MOD | 60dB |

RXD-501/551/571/A5/701/751/771/A8



- IC1 : LA1837
- IC2 : LC72131
- Q1 : 2SC2714(R,O)
- Q2,10,11 : 2SB1218A(Q,R) or 2SA1576A(R,S)
- Q3-5,7,8,17 : 2SD1819A(Q,R) or 2SC4081(R,S)
- Q9,12,16 : 2SK302(Y,GR)
- D1,2 : MA111
- D3 : MTZJ5.1(B) or HZS5.1N(B2)
- D4 : MTZJ8.2(B) or HZS8.2N(B2)
- D7 : KV1590ATS2

CAUTION: For continued safety, replace safety critical components only with manufacturer's recommended parts (refer to parts list). Δ indicates safety critical components. For continued protection against risk of fire, replace only with same type and rating fuse(s). To reduce the risk of electric shock, leakage-current or resistance measurements shall be carried out (exposed parts are acceptably insulated from the supply circuit) before the appliance is returned to the customer.

The DC voltage is an actual reading measured with a high impedance type voltmeter as the AM/FM signal generator is specified to the conditions as shown in the list below. The measurement value may vary depending on the measuring instruments used or on the product. The value shown in () is actual reading measured in the AM mode.

| MODE | CARRIER | MODULATION | | ANT INPUT |
|------|--------------|------------|------------------------------|-----------|
| | | FREQUENCY | DEVIATION | |
| FM | 98MHz | 1kHz | STEREO 67.5kHz 7.5kHz(Pilot) | 60dB |
| AM | 1000(999)kHz | 400Hz | MONO 30% MOD | 60dB |

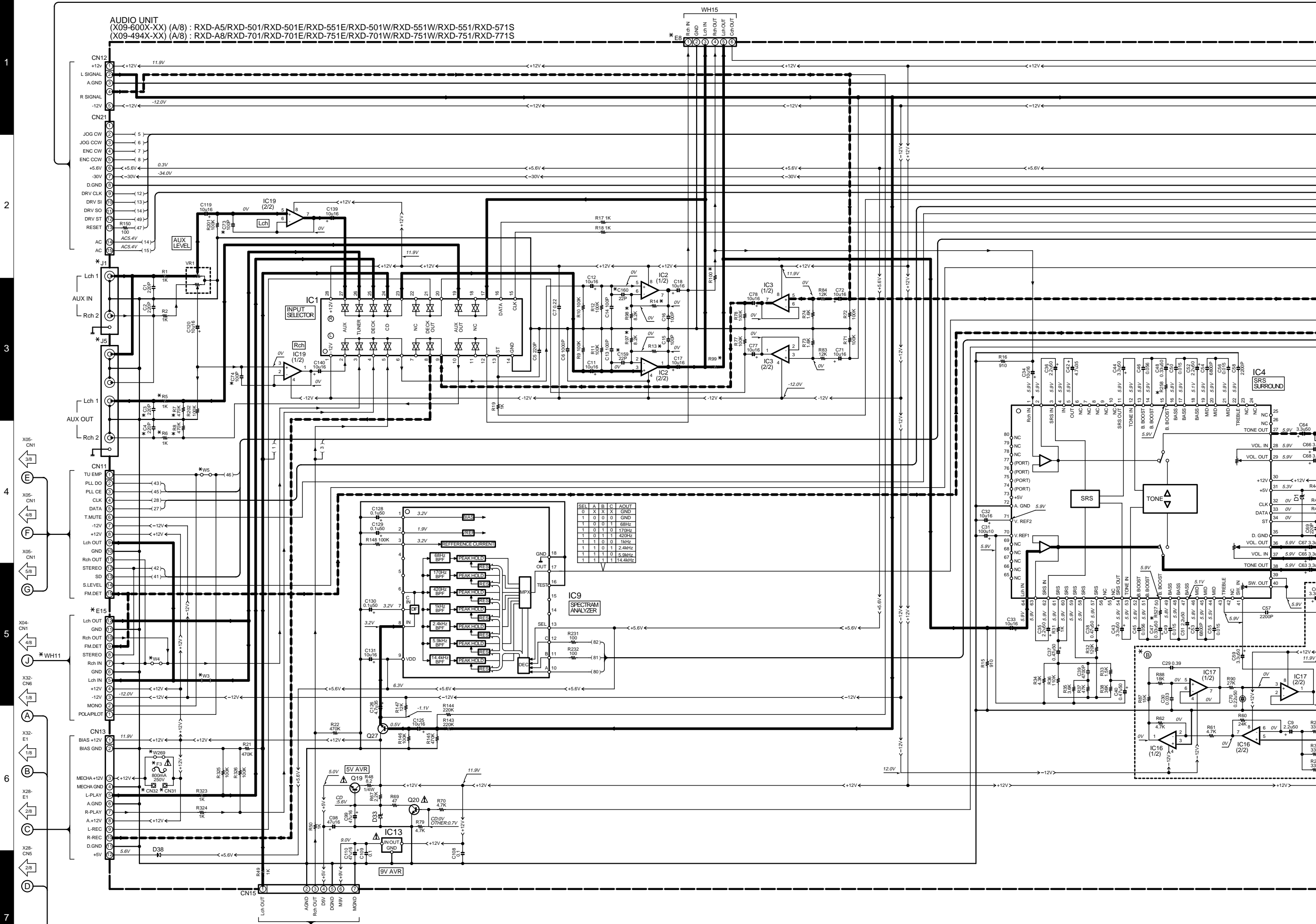
RXD-571S/771S(M) (5/8)

RXD-501/551/571/A5/701/751/771/A8

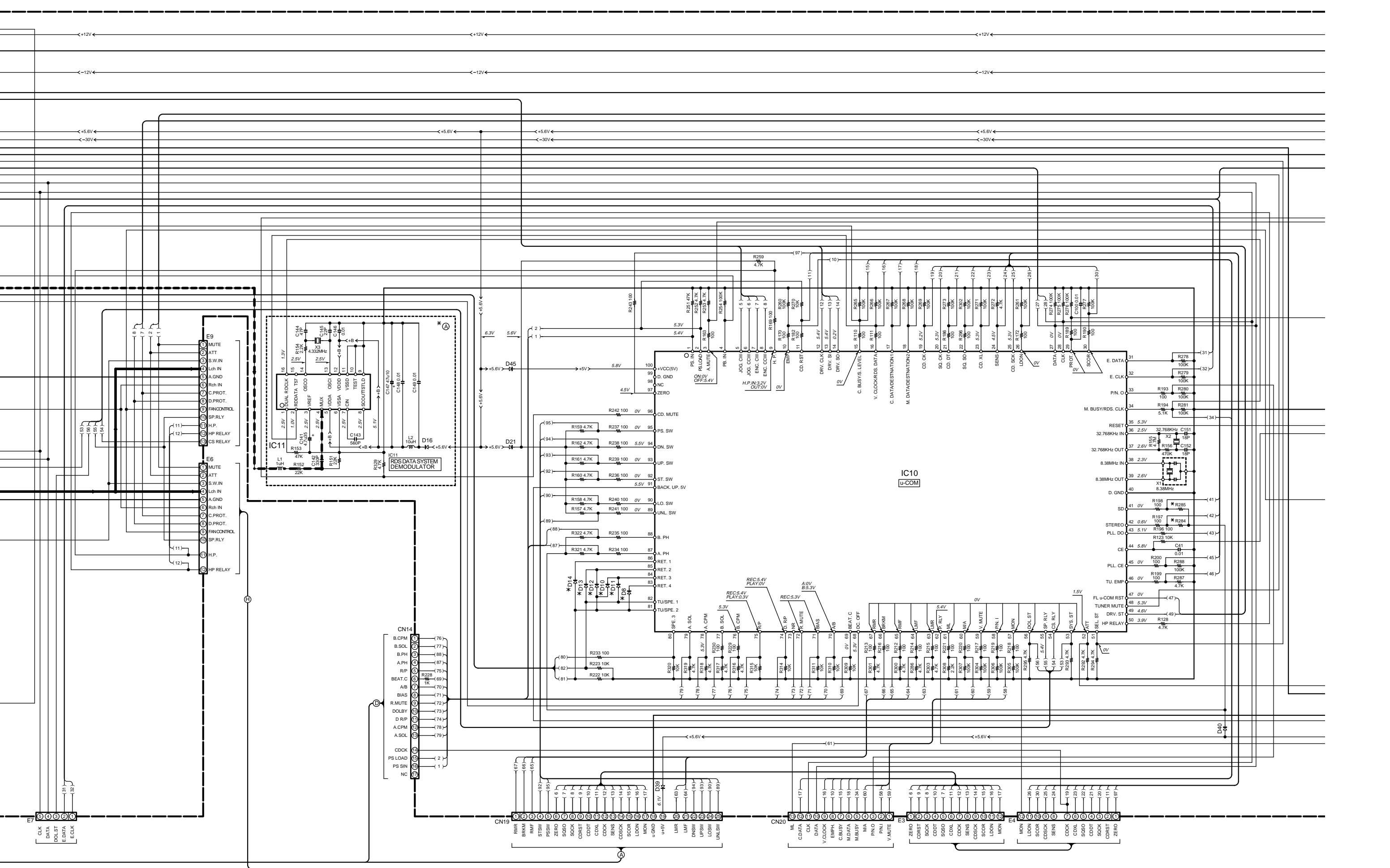
Y39-2850-10

KENWOOD

AUDIO UNIT
 (X09-600X-XX) (A/8) : RXD-A5/RXD-501/RXD-501E/RXD-551E/RXD-501W/RXD-551W/RXD-551/RXD-571S
 (X09-494X-XX) (A/8) : RXD-A8/RXD-701/RXD-701E/RXD-751E/RXD-701W/RXD-751W/RXD-751/RXD-771S



| SEL | A | B | C | AOUT |
|-----|---|---|---|---------|
| 0 | X | X | X | GND |
| 1 | 0 | 0 | 0 | GND |
| 1 | 0 | 0 | 1 | 68Hz |
| 1 | 0 | 1 | 0 | 170Hz |
| 1 | 0 | 1 | 1 | 420Hz |
| 1 | 1 | 0 | 0 | 1kHz |
| 1 | 1 | 0 | 1 | 2.4kHz |
| 1 | 1 | 1 | 0 | 5.9kHz |
| 1 | 1 | 1 | 1 | 14.4kHz |



IC11
RDS DATA SYSTEM DEMODULATOR

Pin 1: 1.0V
Pin 2: 2.5V
Pin 3: 2.5V
Pin 4: 2.5V
Pin 5: 2.5V
Pin 6: 2.5V
Pin 7: 2.5V
Pin 8: 2.5V
Pin 9: 5.1V
Pin 10: 5.1V
Pin 11: 5.1V
Pin 12: 5.1V
Pin 13: 5.1V
Pin 14: 5.1V
Pin 15: 5.1V
Pin 16: 5.1V

IC10
U-COM

- CN14**
- (76) B.CPM
 - (77) B.SOL
 - (78) B.PH
 - (79) A.PH
 - (80) R/P
 - (81) BEAT C
 - (82) A/B
 - (83) BIAS
 - (84) R.MUTE
 - (85) DOLBY
 - (86) D.R/P
 - (87) A.CPM
 - (88) A.SOL
 - (89) C.DCK
 - (90) PS LOAD
 - (91) PS SIN
 - (92) NC

- CN19**
- (67) RMR
 - (68) BRKM
 - (69) RMF
 - (70) STSW
 - (71) PSSW
 - (72) ZERO
 - (73) S0S0
 - (74) S0CK
 - (75) CDST
 - (76) CDXT
 - (77) CDXL
 - (78) CDCK
 - (79) SENS
 - (80) SCOR
 - (81) MON
 - (82) u-GND
 - (83) u+5V
 - (84) LMR
 - (85) LMF
 - (86) DNSW
 - (87) LPSW
 - (88) LOSW
 - (89) UNLSW

- CN20**
- (17) ML
 - (18) CDATA
 - (19) CLK
 - (20) DATA
 - (21) V.CLOCK
 - (22) EMPH
 - (23) C.BUSY
 - (24) M.DATA
 - (25) M.BUSY
 - (26) MA
 - (27) P.N.O
 - (28) P.N.I
 - (29) V.MUTE
 - (30) ZERO
 - (31) CDST
 - (32) S0CK
 - (33) CDXT
 - (34) S0S0
 - (35) CDXL
 - (36) CDCK
 - (37) SENS
 - (38) SCOR
 - (39) MON
 - (40) LON
 - (41) SEL ST
 - (42) CS RLY
 - (43) SF RLY
 - (44) CS RLY
 - (45) SVS ST
 - (46) PART
 - (47) R292 4.7K
 - (48) R294 4.7K

- E4**
- (28) MON
 - (29) SCOR
 - (30) CDCK
 - (31) SENS
 - (32) S0S0
 - (33) CDXT
 - (34) CDXL
 - (35) S0CK
 - (36) CDST
 - (37) ZERO



IC21 PIN VOLTAGE

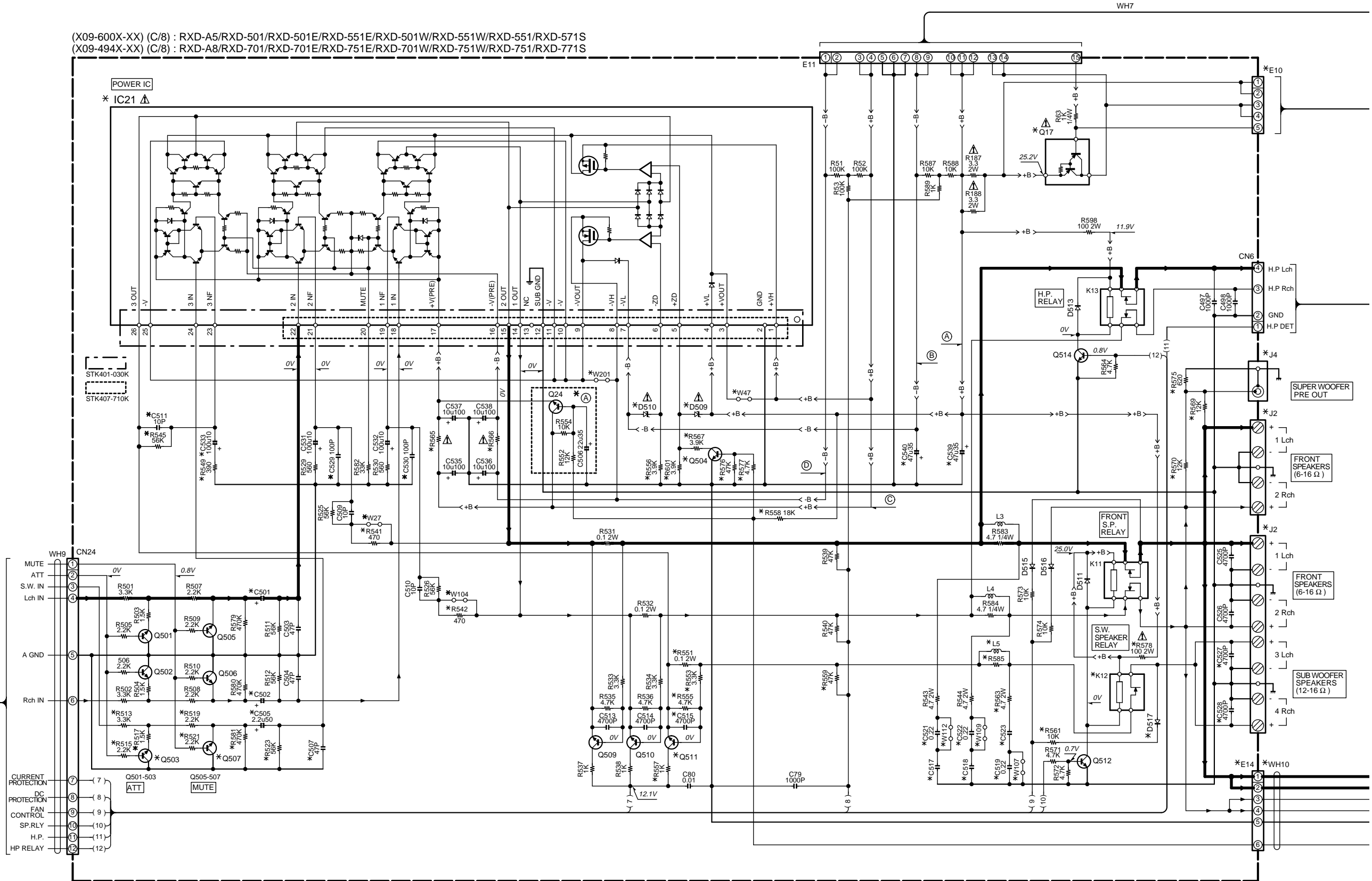
| MODELS | 1 | 2 | 3 | 4 | 5 | 6 | 7 | 8 | 9-11 | 12-15 | 16 | 17 | 18,19 | 20 | 21,22 | 23,24 | 25 | 26 |
|-----------------------|-------|----|-------|-------|-------|--------|--------|--------|--------|-------|--------|-------|-------|--------|-------|-------|--------|-----|
| RXD-A5 RXD-501/551 | 54.3V | 0V | 54.3V | 0V | 0V | 0V | 0V | -54.8V | -54.8V | 0V | -53.0V | 53.0V | 0V | -51.8V | 0V | N/C | N/C | N/C |
| RXD-A8 RXD-701/751 | 64.3V | 0V | 29.6V | 29.8V | 22.4V | -22.8V | -30.8V | -64.3V | -30.6V | 0V | -60.7V | 60.5V | 0V | -59.4V | 0V | 0V | -30.6V | 0V |

| MODELS | (A) | (B) | (C) | (D) |
|-----------------------|-------|--------|-------|--------|
| RXD-A5 RXD-501/551 | 26.0V | -27.0V | 55.0V | -55.0V |
| RXD-A8 RXD-701/751 | 29.8V | -30.4V | 64.3V | -64.3V |

(X09-) (B/7) CN5 TERMINAL VOLTAGE

| MODELS | (1) | (2) | (3) | (4) | (5) | (6) | (7) | (8) | (9) | (10) | (11) | (12) | (13) |
|-----------------------|--------|-------|-------|-------|-------|-------|-----|--------|-----|--------|------|------|------|
| RXD-A5 RXD-501/551 | -27.0V | 24.3V | 26.0V | 12.2V | 10.5V | 12.4V | 0V | -54.0V | 0V | AC5.0V | 0V | | |
| RXD-A8 RXD-701/751 | -30.4V | 28.0V | 29.8V | 11.9V | 11.8V | 13.7V | 0V | -63.2V | 0V | AC5.4V | 0V | | |

(X09-600X-XX) (C/8) : RXD-A5/RXD-501/RXD-501E/RXD-551E/RXD-501W/RXD-551W/RXD-551/RXD-571S
 (X09-494X-XX) (C/8) : RXD-A8/RXD-701/RXD-701E/RXD-751E/RXD-701W/RXD-751W/RXD-751/RXD-771S



- (7) MUTE
- (8) ATT
- (9) DC PROTECTION
- (10) FAN CONTROL
- (11) SP.RLY
- (12) H.P.
- (13) HP RELAY

| RXD-A5 (X14-4740-10) | | | | | | | | | | |
|----------------------|---------|-----|----------|-----|-----|-----|----------|--------------|--------|------|
| DESTINATION | COUNTRY | ABB | UNIT No. | (A) | (D) | (E) | R254-258 | D20,21,30-32 | D33-37 | W1,4 |
| U.S.A | K | | 0-10 | NO | YES | NO | | B30-2468-05 | NO | YES |
| CANADA | P | | | | | | | | | |

| RXD-501 (X14-4740-XX) | | | | | | | | | | |
|-----------------------|---------|-----|----------|-----|-----|-----|----------|--------------|--------|------|
| DESTINATION | COUNTRY | ABB | UNIT No. | (A) | (D) | (E) | R254-258 | D20,21,30-32 | D33-37 | W1,4 |
| JAPAN | J | | 0-10 | NO | NO | YES | NO | B30-2468-05 | NO | YES |
| EUROPE | E | | | | | | | | | |
| U.K | T | | | | | | | B30-2508-05 | | |
| AUSTRALIA | X | | | | | | | | | |

| RXD-501E/551E (X14-4740-10) | | | | | | | | | | |
|-----------------------------|---------|-----|----------|-----|-----|-----|----------|--------------|--------|------|
| DESTINATION | COUNTRY | ABB | UNIT No. | (A) | (D) | (E) | R254-258 | D20,21,30-32 | D33-37 | W1,4 |
| EUROPE | E2 | | 0-10 | NO | YES | NO | | B30-2468-05 | NO | YES |

| RXD-501W/551W (X14-4740-10) | | | | | | | | | | |
|-----------------------------|---------|-----|----------|-----|-----|-----|----------|--------------|--------|------|
| DESTINATION | COUNTRY | ABB | UNIT No. | (A) | (D) | (E) | R254-258 | D20,21,30-32 | D33-37 | W1,4 |
| RUSSIA | Q | | 0-10 | NO | YES | NO | | B30-2468-05 | NO | YES |

| RXD-551 (X14-4740-XX) | | | | | | | | | | |
|-----------------------|---------|-----|----------|-----|-----|-----|----------|--------------|--------|------|
| DESTINATION | COUNTRY | ABB | UNIT No. | (A) | (D) | (E) | R254-258 | D20,21,30-32 | D33-37 | W1,4 |
| JAPAN | J | | 0-10 | NO | NO | YES | NO | B30-2468-05 | NO | YES |
| EUROPE | E | | | | | | | | | |
| U.K | T | | | | | | | B30-2508-05 | | |
| PX | Y | | | | | | | | | |
| GENERAL MARKET | M | | 0-21 | YES | NO | YES | | | | |
| AUSTRALIA | X | | | | | | | | | |

| RXD-571S (X14-4740-21) | | | | | | | | | | |
|------------------------|---------|-----|----------|-----|-----|-----|----------|--------------|--------|------|
| DESTINATION | COUNTRY | ABB | UNIT No. | (A) | (D) | (E) | R254-258 | D20,21,30-32 | D33-37 | W1,4 |
| GENERAL MARKET | M | | 0-21 | YES | NO | NO | | B30-2508-05 | NO | YES |

| RXD-A8 (X14-4740-11) | | | | | | | | | |
|----------------------|---------|-----|----------|-----|-----|-----|----------|--------------|------|
| DESTINATION | COUNTRY | ABB | UNIT No. | (A) | (D) | (E) | R254-258 | D20,21,30-32 | W1,4 |
| U.S.A | K | | 0-11 | NO | YES | YES | | B30-2468-05 | NO |
| CANADA | P | | | | | | | | |

| RXD-701 (X14-4740-XX) | | | | | | | | | |
|-----------------------|---------|-----|----------|-----|-----|-----|----------|--------------|------|
| DESTINATION | COUNTRY | ABB | UNIT No. | (A) | (D) | (E) | R254-258 | D20,21,30-32 | W1,4 |
| JAPAN | J | | 0-11 | NO | NO | YES | NO | B30-2468-05 | NO |
| EUROPE | E | | | | | | | | |
| U.K | T | | | | | | | B30-2508-05 | NO |
| AUSTRALIA | X | | 0-22 | YES | YES | NO | YES | | |

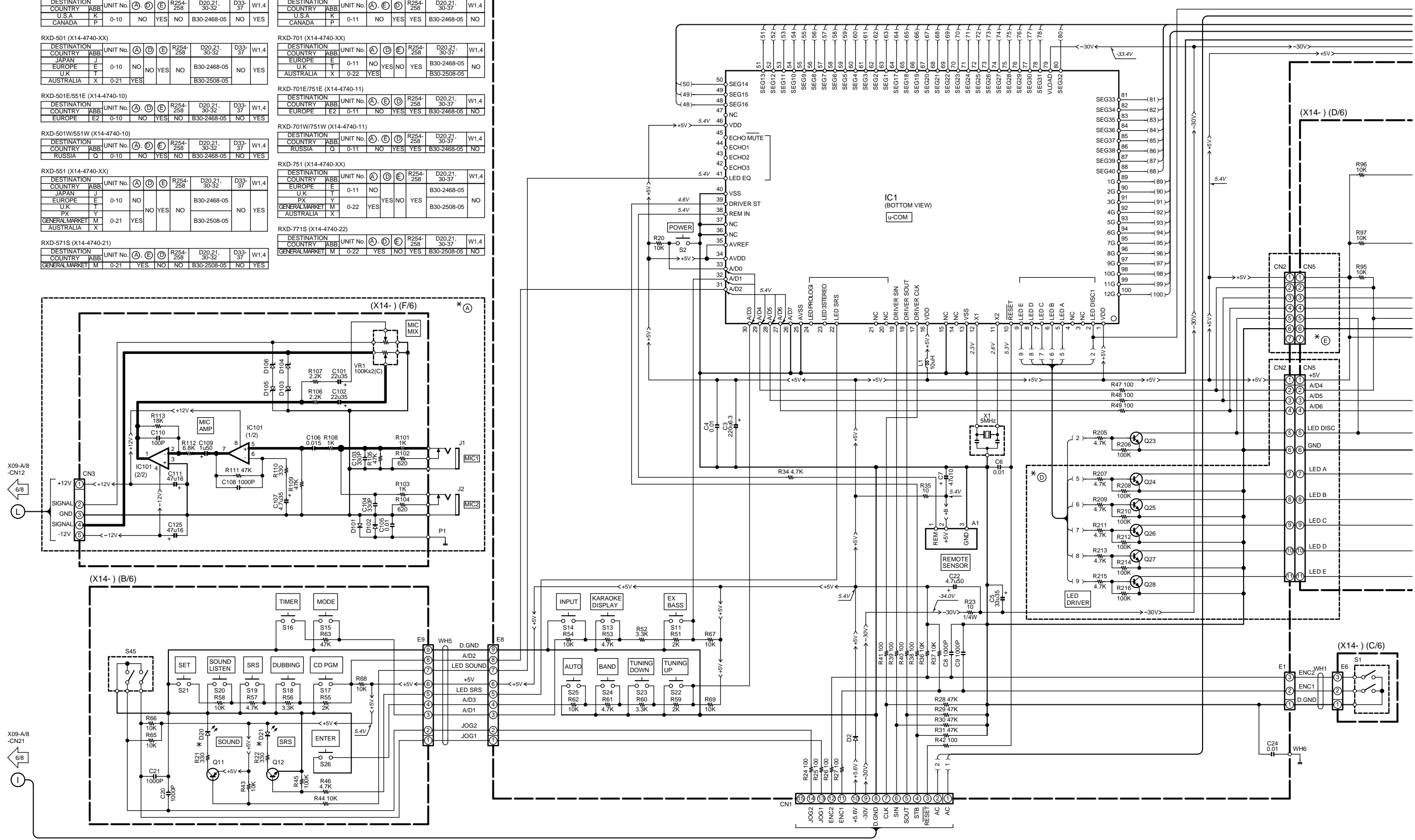
| RXD-701E/751E (X14-4740-11) | | | | | | | | | |
|-----------------------------|---------|-----|----------|-----|-----|-----|----------|--------------|------|
| DESTINATION | COUNTRY | ABB | UNIT No. | (A) | (D) | (E) | R254-258 | D20,21,30-32 | W1,4 |
| EUROPE | E2 | | 0-11 | NO | YES | YES | | B30-2468-05 | NO |

| RXD-701W/751W (X14-4740-11) | | | | | | | | | |
|-----------------------------|---------|-----|----------|-----|-----|-----|----------|--------------|------|
| DESTINATION | COUNTRY | ABB | UNIT No. | (A) | (D) | (E) | R254-258 | D20,21,30-32 | W1,4 |
| RUSSIA | Q | | 0-11 | NO | YES | YES | | B30-2468-05 | NO |

| RXD-751 (X14-4740-XX) | | | | | | | | | |
|-----------------------|---------|-----|----------|-----|-----|-----|----------|--------------|------|
| DESTINATION | COUNTRY | ABB | UNIT No. | (A) | (D) | (E) | R254-258 | D20,21,30-32 | W1,4 |
| EUROPE | E | | 0-11 | NO | NO | YES | NO | B30-2468-05 | NO |
| U.K | T | | | | | | | | |
| PX | Y | | | | | | | B30-2508-05 | NO |
| GENERAL MARKET | M | | 0-22 | YES | NO | YES | | | |
| AUSTRALIA | X | | | | | | | | |

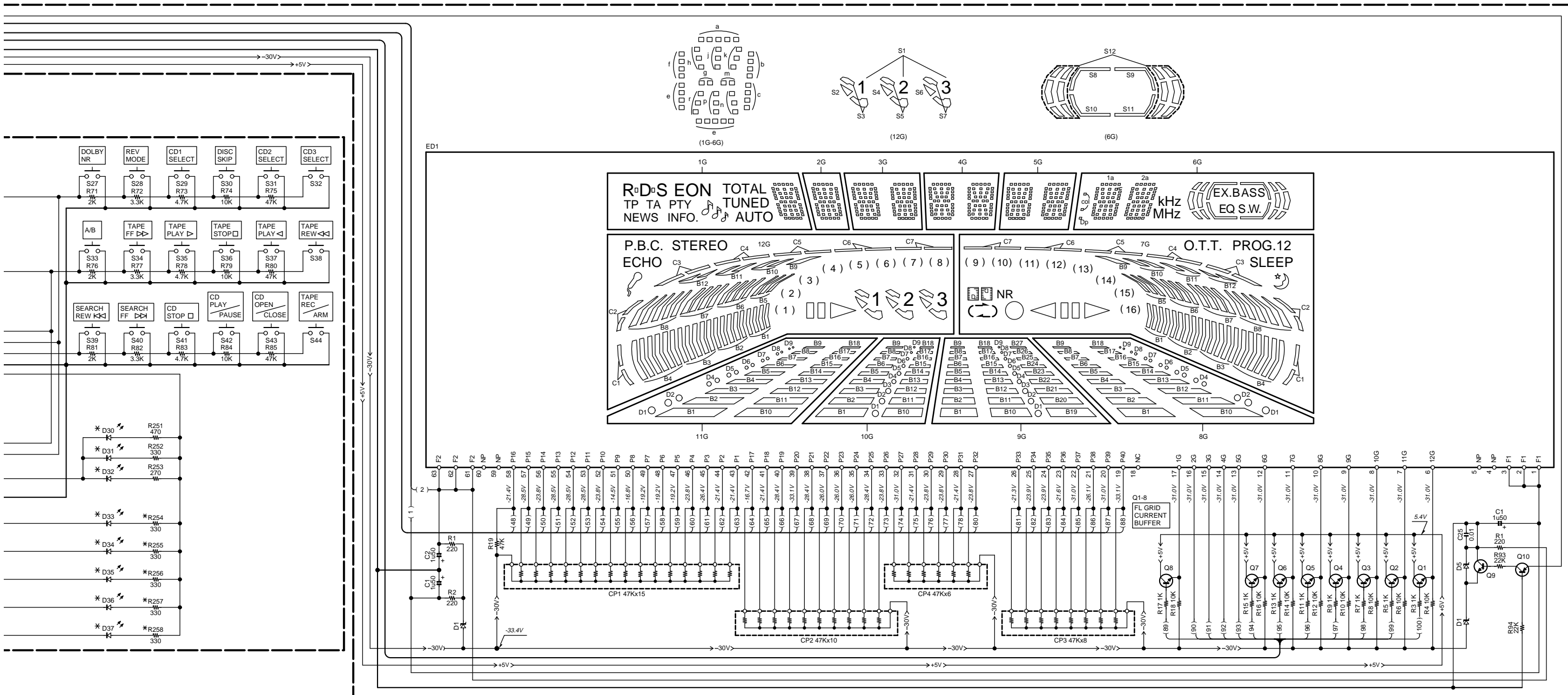
| RXD-771S (X14-4740-22) | | | | | | | | | |
|------------------------|---------|-----|----------|-----|-----|-----|----------|--------------|------|
| DESTINATION | COUNTRY | ABB | UNIT No. | (A) | (D) | (E) | R254-258 | D20,21,30-32 | W1,4 |
| GENERAL MARKET | M | | 0-22 | YES | NO | YES | | B30-2508-05 | NO |

DISPLAY UNIT (X14-4740-XX) (A/6)

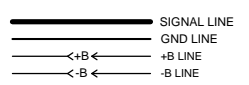


CAUTION: For continued safety, replace safety critical components only with manufacturer's recommended parts (refer to parts list). Δ indicates safety critical components. For continued protection against risk of fire, replace only with same type and rating fuse(s). To reduce the risk of electric shock, leakage-current or resistance measurements shall be carried out (exposed parts are acceptably insulated from the supply circuit) before the appliance is returned to the customer.

The DC voltage is an actual reading measured with a high impedance type voltmeter. The measurement value may vary depending on the measuring instruments used or on the product. Refer to the voltage during PLAY unless otherwise specified; The value shown in () is the voltage measured at the moment of STOP.



- IC1 : uPD780204-038
- IC101 : NJM4565D-D
- Q1-8,12,23-28 : KTC3199(Y,GR) or 2SC1740S(Q,R)
- Q9 : 2SC2003(L,K)
- Q10,11 : KTA1267(Y,GR) or 2SA933AS(Q,R)
- ED1 : BJ594GK
- D1,5 : HZS6.8N(B) or MTZJ6.8(B)
- D2 : S5688B
- D6,7 : B30-2468-05
- D20,21,30-37 : *
- D101,102 : HSS104A or 1SS133
- D103-106 : HZS5.6N(B) or MTZJ5.6(B)



| | 1G | 2G | 3G | 4G | 5G | 6G | 7G | 8G | 9G | 10G | 11G | 12G |
|-----|-------|----|----|----|----|-----|------|-----|-----|-----|-----|-----|
| P1 | a | a | 1a | 1a | 1a | 1a | B1 | B1 | B1 | B1 | B1 | B1 |
| P2 | h | h | 1h | 1h | 1h | 1h | B2 | B2 | B2 | B2 | B2 | B2 |
| P3 | j | j | 1j | 1j | 1j | 1j | B3 | B3 | B3 | B3 | B3 | B3 |
| P4 | k | k | 1k | 1k | 1k | 1k | B4 | B4 | B4 | B4 | B4 | B4 |
| P5 | b | b | 1b | 1b | 1b | 1b | B5 | B5 | B5 | B5 | B5 | B5 |
| P6 | f | f | 1f | 1f | 1f | 1f | B6 | B6 | B6 | B6 | B6 | B6 |
| P7 | m | m | 1m | 1m | 1m | 1m | B7 | B7 | B7 | B7 | B7 | B7 |
| P8 | g | g | 1g | 1g | 1g | 1g | B8 | B8 | B8 | B8 | B8 | B8 |
| P9 | c | c | 1c | 1c | 1c | 1c | B9 | B9 | B9 | B9 | B9 | B9 |
| P10 | e | e | 1e | 1e | 1e | 1e | B10 | B10 | B10 | B10 | B10 | B10 |
| P11 | r | r | 1r | 1r | 1r | 1r | B11 | B11 | B11 | B11 | B11 | B11 |
| P12 | p | p | 1p | 1p | 1p | 1p | B12 | B12 | B12 | B12 | B12 | B12 |
| P13 | n | n | 1n | 1n | 1n | 1n | C1 | B13 | B13 | B13 | B13 | C1 |
| P14 | d | d | 1d | 1d | 1d | 1d | C2 | B14 | B14 | B14 | B14 | C2 |
| P15 | R-D-S | - | - | - | - | col | C3 | B15 | B15 | B15 | B15 | C3 |
| P16 | EON | - | - | - | - | Dp | C4 | B16 | B16 | B16 | B16 | C4 |
| P17 | TP | - | 2a | 2a | 2a | 2a | C5 | B17 | B17 | B17 | B17 | C5 |
| P18 | TA | - | 2h | 2h | 2h | 2h | C6 | B18 | B18 | B18 | B18 | C6 |
| P19 | PTY | - | 2j | 2j | 2j | 2j | C7 | - | B19 | - | - | C7 |
| P20 | NEWS | - | 2k | 2k | 2k | 2k | (9) | - | B20 | - | - | (1) |
| P21 | INFO. | - | 2b | 2b | 2b | 2b | (10) | - | B21 | - | - | (2) |
| P22 | TOTAL | - | 2f | 2f | 2f | 2f | (11) | - | B22 | - | - | (3) |
| P23 | TUNED | - | 2m | 2m | 2m | 2m | (12) | - | B23 | - | - | (4) |

| | 1G | 2G | 3G | 4G | 5G | 6G | 7G | 8G | 9G | 10G | 11G | 12G |
|-----|----------|----|----|----|----|----|---------|-------|-----|-----|-----|--------|
| P24 | AUTO | - | 2g | 2g | 2g | 2g | (13) | - | B24 | - | - | (5) |
| P25 | (UPPER) | - | 2c | 2c | 2c | 2c | (14) | - | B25 | - | - | (6) |
| P26 | (MIDDLE) | - | 2e | 2e | 2e | 2e | (15) | - | B26 | - | - | (7) |
| P27 | (LOWER) | - | 2r | 2r | 2r | 2r | (16) | - | B27 | - | - | (8) |
| P28 | - | - | 2p | 2p | 2p | 2p | O.T.T. | D1 | D1 | D1 | D1 | S1 |
| P29 | - | - | 2n | 2n | 2n | 2n | PROG. | D2 | D2 | D2 | D2 | S2 |
| P30 | - | - | 2d | 2d | 2d | 2d | 1 | - | D3 | D3 | D3 | S3 |
| P31 | - | - | - | - | - | - | MHz | 2 | D4 | D4 | D4 | S4 |
| P32 | - | - | - | - | - | - | kHz | SLEEP | D5 | D5 | D5 | S5 |
| P33 | - | - | - | - | - | - | NR | D6 | D6 | D6 | D6 | S6 |
| P34 | - | - | - | - | - | - | S9 | D7 | D7 | D7 | D7 | S7 |
| P35 | - | - | - | - | - | - | S10 | D8 | D8 | D8 | D8 | S8 |
| P36 | - | - | - | - | - | - | S11 | D9 | D9 | D9 | D9 | S9 |
| P37 | - | - | - | - | - | - | S12 | D10 | D10 | D10 | D10 | S10 |
| P38 | - | - | - | - | - | - | EX.BASS | - | - | - | - | P.B.C. |
| P39 | - | - | - | - | - | - | EQ | - | - | - | - | STEREO |
| P40 | - | - | - | - | - | - | S.W. | - | - | - | - | ECHO |

- RXD-A5/A8(K) (8/8)
- RXD-501/501E/501W(E) (8/8)
- RXD-551/551E/551W571S(E) (8/8)
- RXD-701/701E/701W(E) (8/8)
- RXD-751/751E/751W/771S(E) (8/8)

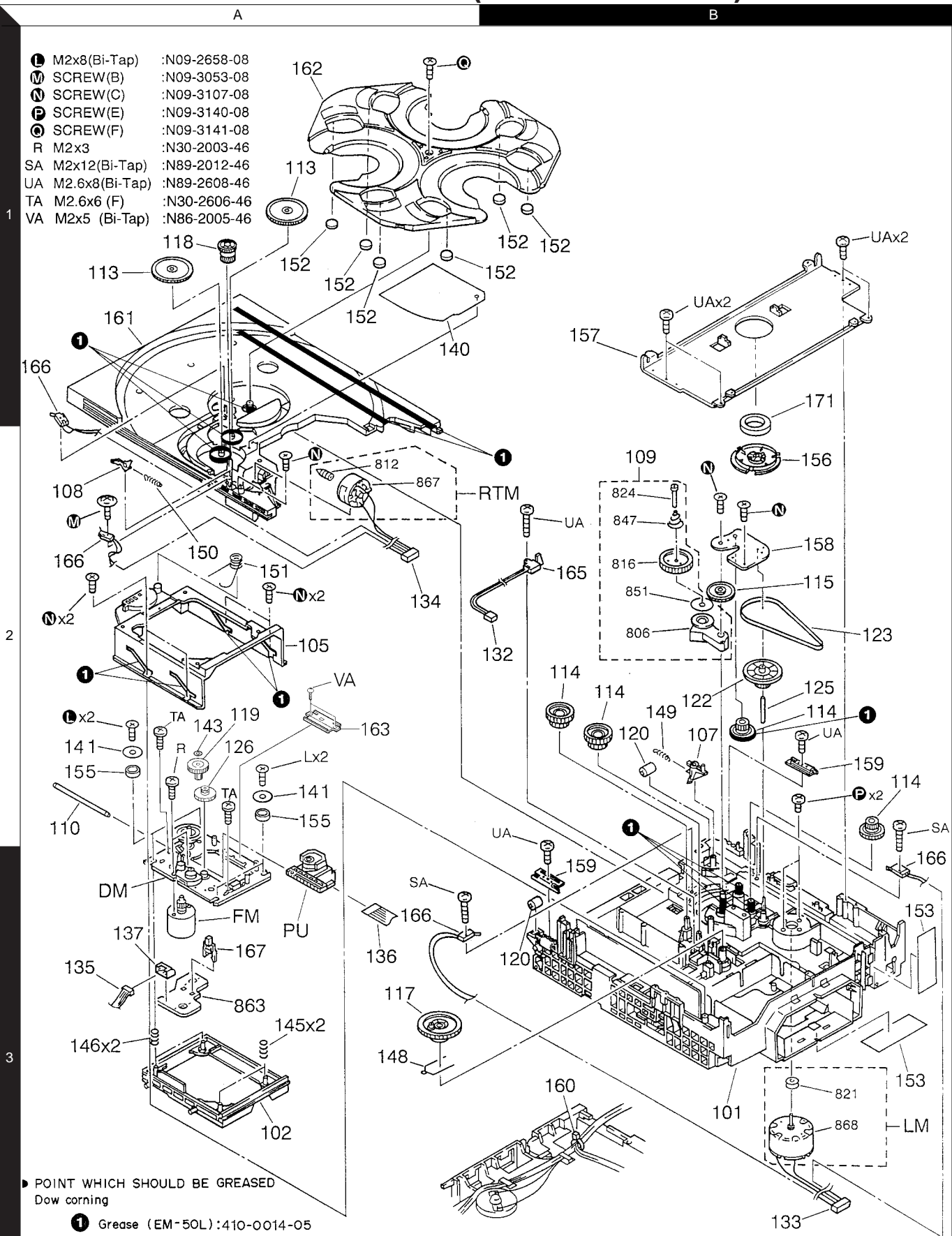
RXD-501/551/571/A5/701/751/771/A8

Y39-2850-10

KENWOOD

EXPLODED VIEW (CD MECHANISM)

- L** M2x8(Bi-Tap) :N09-2658-08
- M** SCREW(B) :N09-3053-08
- N** SCREW(C) :N09-3107-08
- P** SCREW(E) :N09-3140-08
- Q** SCREW(F) :N09-3141-08
- R** M2x3 :N30-2003-46
- SA** M2x12(Bi-Tap) :N89-2012-46
- UA** M2.6x8(Bi-Tap) :N89-2608-46
- TA** M2.6x6 (F) :N30-2606-46
- VA** M2x5 (Bi-Tap) :N86-2005-46



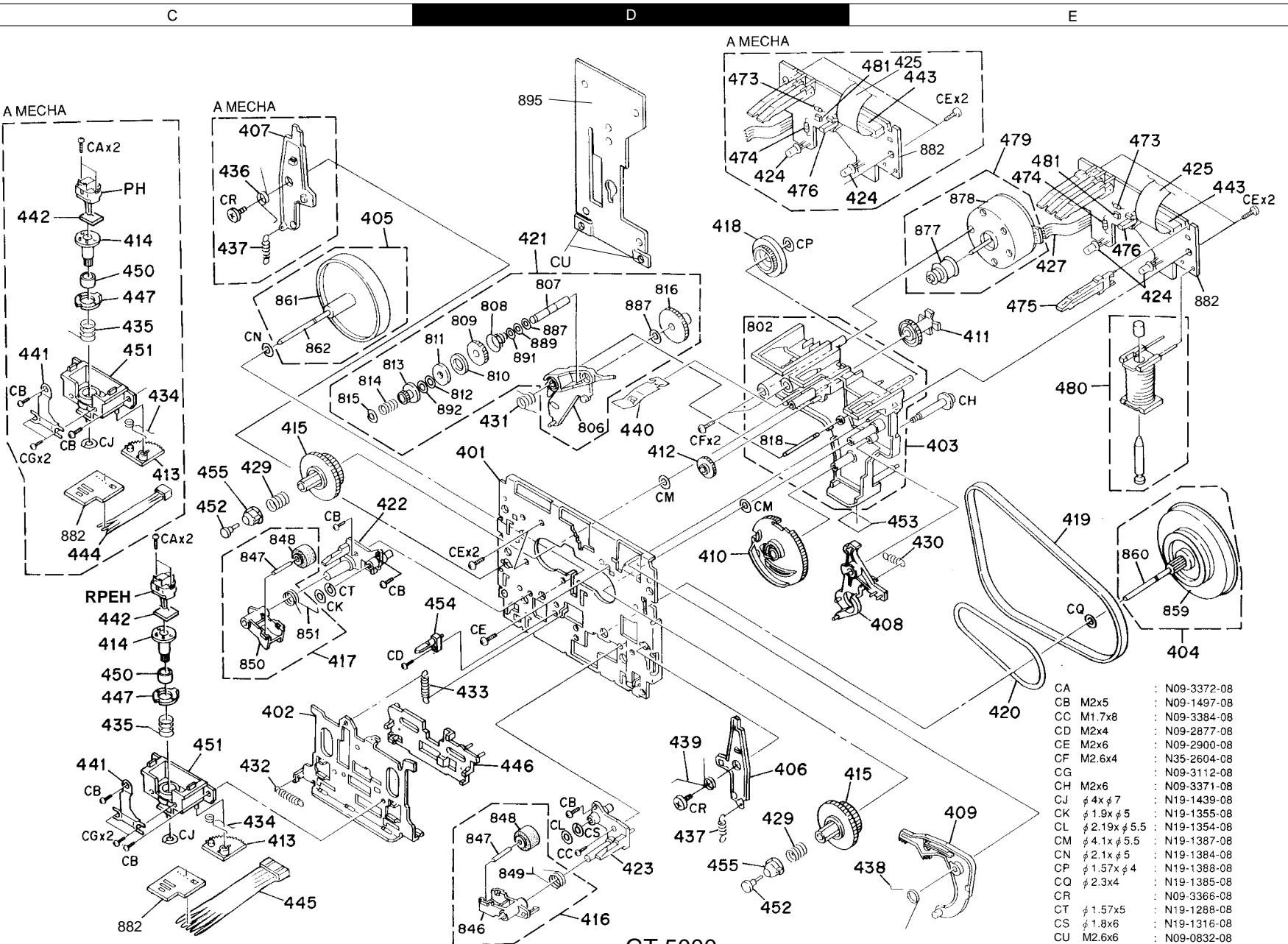
POINT WHICH SHOULD BE GREASED
Dow corning

1 Grease (EM-50L):410-0014-05

CDM-27

Parts with exploded numbers larger than 700 are not supplied.

EXPLODED VIEW (CASSETTE MECHANISM)



| | | |
|----|---------------|---------------|
| CA | : | N09-3372-08 |
| CB | M2x5 | : N09-1497-08 |
| CC | M1.7x8 | : N09-3384-08 |
| CD | M2x4 | : N09-2877-08 |
| CE | M2x6 | : N09-2900-08 |
| CF | M2.6x4 | : N35-2604-08 |
| CG | | : N09-3112-08 |
| CH | M2x6 | : N09-3371-08 |
| CJ | φ 4x φ 7 | : N19-1439-08 |
| CK | φ 1.9x φ 5 | : N19-1355-08 |
| CL | φ 2.19x φ 5.5 | : N19-1354-08 |
| CM | φ 4.1x φ 5.5 | : N19-1387-08 |
| CH | φ 2.1x φ 5 | : N19-1384-08 |
| CN | φ 1.57x φ 4 | : N19-1388-08 |
| CP | φ 1.57x φ 4 | : N19-1388-08 |
| CQ | φ 2.3x4 | : N19-1385-08 |
| CR | | : N09-3366-08 |
| CT | φ 1.57x5 | : N19-1288-08 |
| CS | φ 1.8x6 | : N19-1316-08 |
| CU | M2.6x6 | : N09-0832-08 |

GT-5000

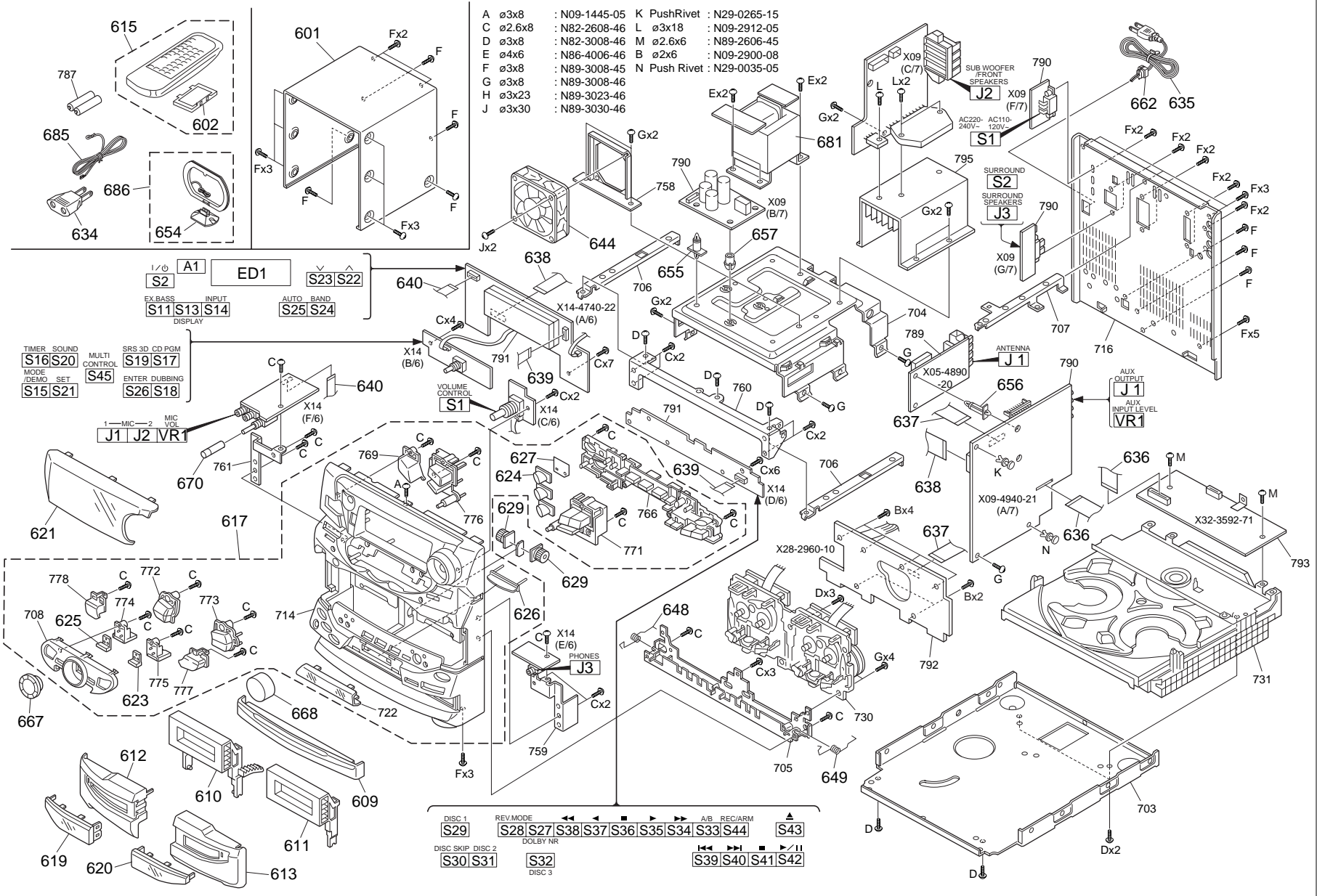
Parts with exploded numbers larger than 700 are not supplied.

F

G

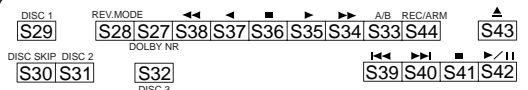
H

- A \varnothing 3x8 : N09-1445-05
- C \varnothing 2.6x8 : N82-2608-46
- D \varnothing 3x8 : N82-3008-46
- E \varnothing 4x6 : N86-4006-46
- F \varnothing 3x8 : N89-3008-45
- G \varnothing 3x8 : N89-3008-46
- H \varnothing 3x23 : N89-3023-46
- J \varnothing 3x30 : N89-3030-46
- K PushRivet : N29-0265-15
- L \varnothing 3x18 : N09-2912-05
- M \varnothing 2.6x6 : N89-2606-45
- B \varnothing 2x6 : N09-2900-08
- N Push Rivet : N29-0035-05



EXPLODED VIEW (UNIT)

RXD-501/551/571/A5701/751/771/A8



* New Parts
Parts without **Parts No.** are not supplied.
Les articles non mentionnés dans le **Parts No.** ne sont pas fournis.
Teile ohne **Parts No.** werden nicht geliefert.

①

| Ref. No | Add-ress | New Parts | Parts No. | Description | Desti-nation | Re-marks |
|----------------------------------|----------|-----------|-------------|-------------------------------|--------------|----------|
| RXD-551/551E/551W/571S/A5 | | | | | | |
| 601 | 1F | * | A01-3550-11 | METALLIC CABINET | | |
| 602 | 1F | * | A09-0399-08 | BATTERY COVER | | |
| 609 | 2F | * | A29-0896-12 | PANEL | | |
| 610 | 2F | * | A53-2034-12 | CASSETTE HOLDER | | |
| 611 | 2F | * | A53-2035-12 | CASSETTE HOLDER | | |
| 612 | 2F | * | A53-2036-12 | CASSETTE LID | | |
| 613 | 2F | * | A53-2037-12 | CASSETTE LID | | |
| 615 | 1F | * | A70-1201-05 | REMOTE CONTROLLER ASSY | KPY | |
| 615 | 1F | * | A70-1201-05 | REMOTE CONTROLLER ASSY | MXM2 | |
| 615 | 1F | * | A70-1202-05 | REMOTE CONTROLLER ASSY | TEQE2 | |
| 617 | 2F | * | A60-1395-11 | PANEL ASSY | YMXM2 | |
| 617 | 2F | * | A60-1396-11 | PANEL ASSY | TEQE2 | |
| 617 | 2F | * | A60-1405-11 | PANEL ASSY | KP | |
| 619 | 2F | * | B10-2446-13 | FRONT GLASS | | |
| 620 | 2F | * | B10-2447-13 | FRONT GLASS | | |
| 621 | 2F | * | B10-2459-12 | FRONT GLASS | TEQE2 | |
| 621 | 2F | * | B10-2474-12 | FRONT GLASS | YMX | |
| 621 | 2F | * | B10-2475-12 | FRONT GLASS | KP | |
| 621 | 2F | * | B10-2476-12 | FRONT GLASS | M2 | |
| 623 | 2F | * | B19-1586-04 | LIGHTING BOARD | | |
| 624 | 1G,2G | * | B19-1587-03 | LIGHTING BOARD | | |
| 625 | 2F | * | B19-1589-04 | LIGHTING BOARD | | |
| 627 | 2G | * | B11-0374-04 | SMOKED FILTER | | |
| - | | | B46-0096-53 | WARRANTY CARD | X | |
| - | | | B46-0310-03 | WARRANTY CARD | E2 | |
| - | | | B46-0310-03 | WARRANTY CARD | TEQE2 | |
| - | | | B46-0328-03 | WARRANTY CARD | KY | |
| - | | | B46-0336-03 | WARRANTY CARD | P | |
| - | | | B58-0513-04 | CAUTION CARD (PRESET220-240) | Y | |
| - | | | B58-0964-13 | CAUTION CARD (UL) | KY | |
| - | | | B58-0965-13 | CAUTION CARD (T.XtypePL) | XT | |
| - | | | B58-0966-13 | CAUTION CARD (ELMtypePL) | MEM2 | |
| - | | | B58-0967-03 | CAUTION CARD (PtypePL) | P | |
| - | | | B58-1526-03 | CAUTION CARD (P4,ORI,A4,1(Q) | Q | |
| - | | | B58-1569-04 | CAUTION CARD | | |
| - | | | B58-1607-03 | CAUTION CARD | E2 | |
| - | | | B59-1104-00 | SERVICE DIRECTORY | Y | |
| - | | * | B60-3768-00 | INSTRUCTION MANUAL(ENGLISH) | TQM2E2 | |
| - | | * | B60-3768-00 | INSTRUCTION MANUAL(ENGLISH) | YMX | |
| - | | * | B60-3771-00 | INSTRUCTION MANUAL(SPANISH) | ME | |
| - | | * | B60-3774-00 | INSTRUCTION MANUAL(TAIWANESE) | M | |
| - | | * | B60-3776-00 | INSTRUCTION MANUAL(FRENCH) | PE | |
| - | | * | B60-3777-00 | INSTRUCTION MANUAL(GERMAN) | E | |
| - | | * | B60-3778-00 | INSTRUCTION MANUAL(DUTCH) | E | |
| - | | * | B60-3779-00 | INSTRUCTION MANUAL(ITALIAN) | E2 | |
| - | | * | B60-3780-00 | INSTRUCTION MANUAL(PH) | Q | |
| - | | * | B60-3781-00 | INSTRUCTION MANUAL(R) | KP | |
| - | | * | B60-3782-00 | INSTRUCTION MANUAL(ENGLISH) | | |
| - | | * | B60-3831-00 | INSTRUCTION MANUAL(HG) | E2 | |
| - | | * | B60-3832-00 | INSTRUCTION MANUAL(CZ) | E2 | |
| 629 | 2G | * | D39-0334-05 | DAMPER | | |

L : Scandinavia K : USA P : Canada R : Mexico C : China I : Malaysia
Y : PX(Far East, Hawaii) T : Europe E : Europe G : Germany V : China (Shanghai)
Y : AAFES(Europe) X : Australia Q : Russia H : Korea M : Other Areas

△ indicates safety critical components.

* New Parts
Parts without **Parts No.** are not supplied.
Les articles non mentionnés dans le **Parts No.** ne sont pas fournis.
Teile ohne **Parts No.** werden nicht geliefert.

②

| Ref. No | Add-ress | New Parts | Parts No. | Description | Desti-nation | Re-marks |
|---------|----------|-----------|-------------|-----------------------------|--------------|----------|
| △ 634 | 1F | | E03-0115-05 | AC PLUG ADAPTER | MM2 | |
| △ 635 | 1H | | E30-2592-15 | AC POWER CORD | MEQ | |
| △ 635 | 1H | | E30-2592-15 | AC POWER CORD | M2E2 | |
| △ 635 | 1H | | E30-2605-05 | AC POWER CORD | Y | |
| △ 635 | 1H | | E30-2650-05 | AC POWER CORD | KP | |
| △ 635 | 1H | | E30-2717-05 | AC POWER CORD | X | |
| △ 635 | 1H | | E30-2829-05 | AC POWER CORD | T | |
| 636 | 2H | * | E35-2136-05 | FLAT CABLE(25P) | | |
| 637 | 1H,2H | * | E35-2137-05 | FLAT CABLE(17P) | | |
| 638 | 2H | * | E35-2138-15 | FLAT CABLE(19P) | | |
| 639 | 1G,2G | * | E35-2147-05 | FLAT CABLE(7P) | | |
| 640 | 1F | * | E35-2194-05 | FLAT CABLE | YMXM2 | |
| 644 | 1G | * | F09-0137-05 | FAN | | |
| 648 | 2G | * | G01-4042-04 | TORSION COIL SPRING | | |
| 649 | 2G | * | G01-4043-04 | TORSION COIL SPRING | | |
| - | | | G10-0452-04 | NON-WOVEN FABRIC | | |
| - | | | G11-0155-14 | SOFT TAPE (40X9X2) | | |
| - | | | G11-2345-04 | CUSHION | | |
| - | | * | H10-7435-12 | POLYSTYRENE FOAMED FIXTURE | EQM2E2 | |
| - | | * | H10-7435-12 | POLYSTYRENE FOAMED FIXTURE | KPYMXT | |
| - | | * | H10-7436-12 | POLYSTYRENE FOAMED FIXTURE | EQM2E2 | |
| - | | * | H10-7436-12 | POLYSTYRENE FOAMED FIXTURE | KPYMXT | |
| - | | | H13-0086-04 | CARTON BOARD | | |
| - | | | H25-0632-24 | PROTECTION BAG | KPYMXE | |
| - | | | H25-0632-24 | PROTECTION BAG | QM2E2 | |
| - | | | H25-0644-04 | PROTECTION BAG (0632 PRINT) | T | |
| - | | | H25-1536-04 | PROTECTION BAG | KPXY | |
| - | | | H25-1536-04 | PROTECTION BAG | TEQE2 | |
| - | | | H25-1611-04 | PROTECTION BAG | MM2 | |
| - | | * | H50-2891-04 | ITEM CARTON CASE | YX | |
| - | | * | H50-2892-04 | ITEM CARTON CASE | KP | |
| - | | * | H50-2893-04 | ITEM CARTON CASE | TE | |
| - | | * | H50-2894-04 | ITEM CARTON CASE | M | |
| - | | * | H50-2895-04 | ITEM CARTON CASE | E2 | |
| - | | * | H50-2917-04 | ITEM CARTON CASE | Q | |
| - | | * | H50-2918-04 | ITEM CARTON CASE | M2 | |
| 654 | 1F | | J19-3645-05 | ANTENNA STAND | | |
| 655 | 1G | | J19-3327-05 | UNIT HOLDER | | |
| 656 | 1H | | J19-3329-05 | UNIT HOLDER | | |
| 657 | 1G | | J19-3752-14 | UNIT HOLDER | | |
| △ 662 | 2H | | J42-0083-05 | POWER CORD BUSHING | | |
| - | | | J52-0039-05 | PUSH LATCH | | |
| - | | | J61-0307-05 | WIRE BAND | | |
| 667 | 1F | * | K29-6925-04 | KNOB (JOG) | | |
| 668 | 2F | * | K29-6923-04 | KNOB (MULTI CONTROL VOLUME) | | |
| 670 | 2F | * | K29-6926-04 | KNOB (MIC VOLUME) | YMXM2 | |
| 681 | 1G | * | L07-2522-05 | POWER TRANSFORMER | KP | |
| △ 681 | 1G | * | L07-2523-05 | POWER TRANSFORMER | YMM2 | |
| △ 681 | 1G | * | L07-2525-05 | POWER TRANSFORMER | X | |
| △ 681 | 1G | * | L07-2526-05 | POWER TRANSFORMER | TEE2 | |
| △ 681 | 1G | * | L07-2527-05 | POWER TRANSFORMER | Q | |
| 685 | 1F | | T90-0801-05 | LEAD WIRE ANTENNA | KPXY | |

L : Scandinavia K : USA P : Canada R : Mexico C : China I : Malaysia
Y : PX(Far East, Hawaii) T : Europe E : Europe G : Germany V : China (Shanghai)
Y : AAFES(Europe) X : Australia Q : Russia H : Korea M : Other Areas

△ indicates safety critical components.

PARTS LIST

RXD-501/551/571/A5/701/751/771/A8

* New Parts
 Parts without **Parts No.** are not supplied.
 Les articles non mentionnés dans le **Parts No.** ne sont pas fournis.
 Teile ohne **Parts No.** werden nicht geliefert.



| Ref. No | Add-ress | New Parts | Parts No. | Description | Desti-nation | Re-marks |
|----------------------------------|----------|-----------|-------------|-------------------------------|--------------|----------|
| 685 | 1F | | T90-0801-05 | LEAD WIRE ANTENNA | MM2 | |
| 685 | 1F | | T90-0836-05 | LEAD WIRE ANTENNA | TEQE2 | |
| 686 | 1F | | T90-0833-05 | LOOP ANTENNA | | |
| RXD-751/751E/751W/771S/A8 | | | | | | |
| 601 | 1F | | A01-3550-11 | METALLIC CABINET | | |
| 602 | 2F | | A09-0399-08 | BATTERY COVER | | |
| 609 | 2F | | A29-0896-12 | PANEL(CD) | | |
| 610 | 2F | | A53-2034-12 | CASSETTE HOLDER(L) | | |
| 611 | 2F | | A53-2035-12 | CASSETTE HOLDER(R) | | |
| 612 | 2F | | A53-2036-12 | CASSETTE LID(L) | | |
| 613 | 2F | | A53-2037-12 | CASSETTE LID(R) | | |
| 615 | 1F | | A70-1201-05 | REMOTE CONTROLLER ASSY | KPY | |
| 615 | 1F | | A70-1201-05 | REMOTE CONTROLLER ASSY | MXM2 | |
| 615 | 1F | | A70-1202-05 | REMOTE CONTROLLER ASSY | TEQE2 | |
| 617 | 2F | * | A60-1391-11 | PANEL ASSY | YMXM2 | |
| 617 | 2F | * | A60-1392-11 | PANEL ASSY | TEQE2 | |
| 617 | 2F | * | A60-1409-11 | PANEL ASSY | KP | |
| 619 | 2F | | B10-2446-13 | FRONT GLASS(L) | | |
| 620 | 2F | | B10-2447-13 | FRONT GLASS(R) | | |
| 621 | 2F | * | B10-2445-12 | FRONT GLASS | YMX | |
| 621 | 2F | * | B10-2479-12 | FRONT GLASS | KP | |
| 621 | 2F | * | B10-2480-12 | FRONT GLASS | TEQE2 | |
| 621 | 2F | * | B10-2481-12 | FRONT GLASS | M2 | |
| 623 | 2F | | B19-1586-04 | LIGHTING BOARD (SRS 3D) | | |
| 624 | 2G | | B19-1587-03 | LIGHTING BOARD (DISC1,2,3) | | |
| 625 | 2F | | B19-1589-04 | LIGHTING BOARD (SOUND) | | |
| 626 | 2G | | B19-1588-04 | LIGHTING BOARD | | |
| 627 | 2G | | B11-0374-04 | SMOKED FILTER | | |
| - | | | B46-0096-53 | WARRANTY CARD | X | |
| - | | | B46-0310-03 | WARRANTY CARD | E2 | |
| - | | | B46-0310-03 | WARRANTY CARD | TEQ | |
| - | | | B46-0328-03 | WARRANTY CARD | KY | |
| - | | | B46-0336-03 | WARRANTY CARD | P | |
| - | | | B58-0513-04 | CAUTION CARD (PRESET220-240) | Y | |
| - | | | B58-0964-13 | CAUTION CARD (UL) | KY | |
| - | | | B58-0965-13 | CAUTION CARD (T,XtypePL) | XT | |
| - | | | B58-0966-13 | CAUTION CARD (ELMtypePL) | E2 | |
| - | | | B58-0966-13 | CAUTION CARD (ELMtypePL) | MEM2 | |
| - | | | B58-0967-03 | CAUTION CARD (PtypePL) | P | |
| - | | | B58-1526-03 | CAUTION CARD (P4,ORI,A4,1(Q) | Q | |
| - | | | B58-1569-04 | CAUTION CARD | | |
| - | | | B58-1607-03 | CAUTION CARD | E2 | |
| - | | | B59-1104-00 | SERVICE DIRECTORY | Y | |
| - | | | B60-3768-00 | INSTRUCTION MANUAL(ENGLISH) | TQM2E2 | |
| - | | | B60-3768-00 | INSTRUCTION MANUAL(ENGLISH) | YMX | |
| - | | | B60-3771-00 | INSTRUCTION MANUAL(SPANISH) | ME | |
| - | | | B60-3774-00 | INSTRUCTION MANUAL(TAIWANESE) | M | |
| - | | | B60-3776-00 | INSTRUCTION MANUAL(FRENCH) | PE | |
| - | | | B60-3777-00 | INSTRUCTION MANUAL(GERMAN) | E | |
| - | | | B60-3778-00 | INSTRUCTION MANUAL(DUTCH) | E | |
| - | | | B60-3779-00 | INSTRUCTION MANUAL(ITALIAN) | E | |
| - | | | B60-3780-00 | INSTRUCTION MANUAL(PH) | E2 | |
| - | | | B60-3781-00 | INSTRUCTION MANUAL(R) | Q | |
| - | | | B60-3782-00 | INSTRUCTION MANUAL(ENGLISH) | KP | |

L : Scandinavia K : USA P : Canada R : Mexico C : China I : Malaysia
 Y : PX(Far East, Hawaii) T : Europe E : Europe G : Germany V : China (Shanghai)
 Y : AAFES(Europe) X : Australia Q : Russia H : Korea M : Other Areas

△ indicates safety critical components.

* New Parts
 Parts without **Parts No.** are not supplied.
 Les articles non mentionnés dans le **Parts No.** ne sont pas fournis.
 Teile ohne **Parts No.** werden nicht geliefert.



| Ref. No | Add-ress | New Parts | Parts No. | Description | Desti-nation | Re-marks |
|---------|----------|-----------|-------------|-----------------------------|--------------|----------|
| - | | | B60-3831-00 | INSTRUCTION MANUAL(HG) | E2 | |
| - | | | B60-3832-00 | INSTRUCTION MANUAL(CZ) | E2 | |
| 629 | 2G | | D39-0334-05 | DAMPER | | |
| △ 634 | 1F | | E03-0115-05 | AC PLUG ADAPTER | MM2 | |
| △ 635 | 1H | | E30-2592-15 | AC POWER CORD | MEQ | |
| △ 635 | 1H | | E30-2592-15 | AC POWER CORD | M2E2 | |
| △ 635 | 1H | | E30-2605-05 | AC POWER CORD | Y | |
| △ 635 | 1H | | E30-2650-05 | AC POWER CORD | KP | |
| △ 635 | 1H | | E30-2717-05 | AC POWER CORD | X | |
| △ 635 | 1H | | E30-2829-05 | AC POWER CORD | T | |
| 636 | 2H | | E35-2136-05 | FLAT CABLE(25P) | | |
| 637 | 1H,2H | | E35-2137-05 | FLAT CABLE(17P) | | |
| 638 | 2H | | E35-2138-15 | FLAT CABLE(19P) | | |
| 639 | 1G,2G | | E35-2139-05 | FLAT CABLE(11P) | | |
| 640 | 1F | | E35-2194-05 | FLAT CABLE | YMXM2 | |
| 644 | 1G | | F09-0137-05 | FAN | | |
| 648 | 2G | | G01-4042-04 | TORSION COIL SPRING | | |
| 649 | 2F | | G01-4043-04 | TORSION COIL SPRING | | |
| - | | | G10-0452-04 | NON-WOVEN FABRIC | | |
| - | | | G11-0155-14 | SOFT TAPE (40X9X2) | | |
| - | | | G11-2345-04 | CUSHION | | |
| - | | | H13-0086-04 | CARTON BOARD | | |
| - | | | H10-7435-12 | POLYSTYRENE FOAMED FIXTURE | EQM2E2 | |
| - | | | H10-7435-12 | POLYSTYRENE FOAMED FIXTURE | KPYMXT | |
| - | | | H10-7436-12 | POLYSTYRENE FOAMED FIXTURE | EQM2E2 | |
| - | | | H10-7436-12 | POLYSTYRENE FOAMED FIXTURE | KPYMXT | |
| - | | | H25-0632-24 | PROTECTION BAG | KPYMXE | |
| - | | | H25-0632-24 | PROTECTION BAG | QM2E2 | |
| - | | | H25-0644-04 | PROTECTION BAG (0632 PRINT) | T | |
| - | | | H25-1536-04 | PROTECTION BAG | KPXY | |
| - | | | H25-1536-04 | PROTECTION BAG | TEQE2 | |
| - | | | H25-1611-04 | PROTECTION BAG | MM22 | |
| - | | | H50-2787-04 | ITEM CARTON CASE | KP | |
| - | | * | H50-2788-04 | ITEM CARTON CASE | YX | |
| - | | * | H50-2789-04 | ITEM CARTON CASE | TE | |
| - | | * | H50-2887-04 | ITEM CARTON CASE | M | |
| - | | * | H50-2888-04 | ITEM CARTON CASE | E2 | |
| - | | * | H50-2919-04 | ITEM CARTON CASE | Q | |
| - | | * | H50-2920-04 | ITEM CARTON CASE | M2 | |
| 654 | 1F | | J19-3645-05 | ANTENNA STAND | | |
| 655 | 1G | | J19-3327-05 | UNIT HOLDER | | |
| 656 | 1H | | J19-3329-05 | UNIT HOLDER | | |
| 657 | 1G | | J19-3752-14 | UNIT HOLDER | | |
| △ 662 | 2H | | J42-0083-05 | POWER CORD BUSHING | | |
| - | | | J52-0039-05 | PUSH LATCH | | |
| - | | | J61-0307-05 | WIRE BAND | | |
| 667 | 1F | | K29-6925-04 | KNOB(JOG) | | |
| 668 | 2F | | K29-6923-04 | KNOB(MULTI CONTROL VOLUME) | | |
| 670 | 2F | | K29-6926-04 | KNOB(MIC VOLUME) | M2 | |
| 670 | 2F | | K29-6926-04 | KNOB(MIC VOLUME) | YMXTEQ | |
| 681 | 1G | | L07-2528-05 | POWER TRANSFORMER | KP | |

L : Scandinavia K : USA P : Canada R : Mexico C : China I : Malaysia
 Y : PX(Far East, Hawaii) T : Europe E : Europe G : Germany V : China (Shanghai)
 Y : AAFES(Europe) X : Australia Q : Russia H : Korea M : Other Areas

△ indicates safety critical components.

PARTS LIST

RXD-501/551/571/A5/701/751/771/A8

* New Parts

Parts without **Parts No.** are not supplied.Les articles non mentionnés dans le **Parts No.** ne sont pas fournis.Teile ohne **Parts No.** werden nicht geliefert.

5

| Ref. No | Add-ress | New Parts | Parts No. | Description | Desti-nation | Re-marks |
|--------------------------|----------|-----------|-------------|-------------------------------|--------------|----------|
| 681 | 1G | | L07-2529-05 | POWER TRANSFORMER | YMM2 | |
| 681 | 1G | | L07-2531-05 | POWER TRANSFORMER | X | |
| 681 | 1G | | L07-2532-05 | POWER TRANSFORMER | TEE2 | |
| 681 | 1G | | L07-2533-05 | POWER TRANSFORMER | Q | |
| 685 | 1G | | T90-0801-05 | LEAD WIRE ANTENNA | KPXY | |
| 685 | 1G | | T90-0801-05 | LEAD WIRE ANTENNA | MM2 | |
| 685 | 1G | | T90-0836-05 | LEAD WIRE ANTENNA | TEQE2 | |
| 686 | 1G | | T90-0833-05 | LOOP ANTENNA | | |
| RXD-501/501E/501W | | | | | | |
| 601 | 1F | * | A01-3563-11 | METALLIC CABINET | | |
| 602 | 1F | * | A09-0399-08 | BATTERY COVER | | |
| 609 | 2F | * | A29-0899-12 | PANEL(CD) | | |
| 610 | 2F | * | A53-2034-12 | CASSETTE HOLDER(L) | | |
| 611 | 2F | * | A53-2035-12 | CASSETTE HOLDER(R) | | |
| 612 | 2F | * | A53-2044-12 | CASSETTE LID(L) | | |
| 613 | 2F | * | A53-2045-12 | CASSETTE LID(R) | | |
| 615 | 1F | * | A70-1201-05 | REMOTE CONTROLLER ASSY | X | |
| 615 | 1F | * | A70-1202-05 | REMOTE CONTROLLER ASSY | EQTE2 | |
| 617 | 2F | * | A60-1393-11 | PANEL ASSY | EQTE2 | |
| 617 | 2F | * | A60-1402-11 | PANEL ASSY | X | |
| 619 | 2F | * | B10-2446-13 | FRONT GLASS(L) | | |
| 619 | 2F | * | B10-2447-13 | FRONT GLASS(R) | | |
| 619 | 2F | * | B10-2472-12 | FRONT GLASS | X | |
| 619 | 2F | * | B10-2473-12 | FRONT GLASS | EQTE2 | |
| 619 | 2F | * | B10-2473-12 | FRONT GLASS | E2 | |
| 623 | 2F | * | B19-1586-04 | LIGHTING BOARD(CD) | | |
| 624 | 2G | * | B19-1587-03 | LIGHTING BOARD(DISC1,2,3) | | |
| 625 | 2F | * | B19-1589-04 | LIGHTING BOARD(SOUND) | | |
| 627 | 2G | * | B11-0374-04 | SMOKED FILTER | | |
| - | | | B46-0096-53 | WARRANTY CARD | X | |
| - | | | B46-0310-03 | WARRANTY CARD | EQTE2 | |
| - | | | B58-0965-13 | CAUTION CARD (T,XtypePL) | XT | |
| - | | | B58-0966-13 | CAUTION CARD (ELMtypePL) | EE2 | |
| - | | * | B58-1526-03 | CAUTION CARD (P4,ORI,A4,1(Q)) | Q | |
| - | | * | B58-1569-04 | CAUTION CARD | | |
| - | | * | B58-1607-03 | CAUTION CARD | E | |
| - | | * | B60-3768-00 | INSTRUCTION MANUAL(ENGLISH) | EQXTE2 | |
| - | | * | B60-3771-00 | INSTRUCTION MANUAL(SPANISH) | E | |
| - | | * | B60-3776-00 | INSTRUCTION MANUAL(FRENCH) | E | |
| - | | * | B60-3777-00 | INSTRUCTION MANUAL(GERMAN) | E | |
| - | | * | B60-3778-00 | INSTRUCTION MANUAL(DUTCH) | E | |
| - | | * | B60-3779-00 | INSTRUCTION MANUAL(ITALIAN) | E | |
| - | | * | B60-3780-00 | INSTRUCTION MANUAL(PH) | E2 | |
| - | | * | B60-3781-00 | INSTRUCTION MANUAL(R) | E2 | |
| - | | * | B60-3831-00 | INSTRUCTION MANUAL(HG) | E2 | |
| - | | * | B60-3832-00 | INSTRUCTION MANUAL(CZ) | E2 | |
| 629 | 2G | | D39-0334-05 | DAMPER | | |
| 635 | 1H | | E30-2592-15 | AC POWER CORD | EQE2 | |
| 635 | 1H | | E30-2717-05 | AC POWER CORD | X | |
| 635 | 1H | | E30-2829-05 | AC POWER CORD | T | |
| 636 | 2H | * | E30-2136-05 | FLAT CABLE(25P) | | |
| 637 | 1H,2H | * | E35-2137-05 | FLAT CABLE(17P) | | |

L : Scandinavia K : USA P : Canada R : Mexico C : China I : Malaysia
 Y : PX(Far East, Hawaii) T : Europe E : Europe G : Germany V : China (Shanghai)
 Y : AAFES(Europe) X : Australia Q : Russia H : Korea M : Other Areas

Δ indicates safety critical components.

* New Parts

Parts without **Parts No.** are not supplied.Les articles non mentionnés dans le **Parts No.** ne sont pas fournis.Teile ohne **Parts No.** werden nicht geliefert.

6

| Ref. No | Add-ress | New Parts | Parts No. | Description | Desti-nation | Re-marks |
|--------------------------|----------|-----------|-------------|-------------------------------|--------------|----------|
| 638 | 2H | * | E35-2138-15 | FLAT CABLE(19P) | | |
| 639 | 1G,2G | * | E35-2147-05 | FLAT CABLE(7P) | | |
| 640 | 1F | * | E35-2194-05 | FLAT CABLE | X | |
| 644 | 1G | * | F09-0137-05 | FAN | | |
| 648 | 2G | * | G01-4042-04 | TORSION COIL SPRING(A) | | |
| 649 | 2G | * | G01-4043-04 | TORSION COIL SPRING(B) | | |
| - | | | G10-0452-04 | NON-WOVEN FABRIC | | |
| - | | | G11-0155-14 | SOFT TAPE (40X9X2) | | |
| - | | | G11-2345-04 | CUSHION | | |
| - | | * | H10-7435-12 | POLYSTYRENE FOAMED FIXTURE(L) | | |
| - | | * | H10-7436-12 | POLYSTYRENE FOAMED FIXTURE(R) | | |
| - | | | H13-0086-04 | CARTON BOARD | | |
| - | | | H25-0632-24 | PROTECTION BAG | | EQXE2 |
| - | | | H25-0644-04 | PROTECTION BAG (0632 PRINT) | | T |
| - | | | H25-1536-04 | PROTECTION BAG | | |
| - | | * | H50-2896-04 | ITEM CARTON CASE | X | |
| - | | * | H50-2897-04 | ITEM CARTON CASE | ET | |
| - | | * | H50-2898-04 | ITEM CARTON CASE | E2 | |
| - | | * | H50-2923-04 | ITEM CARTON CASE | Q | |
| 654 | 1F | | J19-3645-05 | ANTENNA STAND | | |
| 655 | 1G | | J19-3327-05 | UNIT HOLDER | | |
| 656 | 1H | | J19-3329-05 | UNIT HOLDER | | |
| 657 | 1G | | J19-3752-14 | UNIT HOLDER | | |
| 662 | 1H | | J42-0083-05 | POWER CORD BUSHING | | |
| - | | | J61-0307-05 | WIRE BAND | | |
| 667 | 1F | * | K29-6925-04 | KNOB(JOG) | | |
| 668 | 2F | * | K29-6950-04 | KNOB(MULTI CONTROL VOLUME) | | |
| 670 | 2F | * | K29-6953-04 | KNOB(MIC) | X | |
| 681 | 1G | * | L07-2525-05 | POWER TRANSFORMER | X | |
| 681 | 1G | * | L07-2526-05 | POWER TRANSFORMER | ETE2 | |
| 681 | 1G | * | L07-2527-05 | POWER TRANSFORMER | Q | |
| 685 | 1G | | T90-0801-05 | LEAD WIRE ANTENNA | X | |
| 685 | 1G | | T90-0836-05 | LEAD WIRE ANTENNA | EQTE2 | |
| 686 | 1G | | T90-0833-05 | LOOP ANTENNA | | |
| RXD-701/701E/701W | | | | | | |
| 601 | 1F | * | A01-3563-11 | METALLIC CABINET | | |
| 602 | 1F | * | A09-0399-08 | BATTERY COVER | | |
| 609 | 2F | * | A29-0899-12 | PANEL | | |
| 610 | 2F | * | A53-2034-12 | CASSETTE HOLDER(L) | | |
| 611 | 2F | * | A53-2035-12 | CASSETTE HOLDER(R) | | |
| 612 | 2F | * | A53-2044-12 | CASSETTE LID(L) | | |
| 613 | 2F | * | A53-2045-12 | CASSETTE LID(R) | | |
| 615 | 1F | * | A70-1201-05 | REMOTE CONTROLLER ASSY | X | |
| 615 | 1F | * | A70-1202-05 | REMOTE CONTROLLER ASSY | EQTE2 | |
| 617 | 2F | * | A60-1394-11 | PANEL ASSY | EQTE2 | |
| 617 | 2F | * | A60-1408-11 | PANEL ASSY | X | |
| 619 | 2F | * | B10-2446-13 | FRONT GLASS | | |
| 620 | 2F | * | B10-2447-13 | FRONT GLASS | | |
| 621 | 2F | * | B10-2458-12 | FRONT GLASS | X | |
| 621 | 2F | * | B10-2478-12 | FRONT GLASS | EQT | |
| 623 | 2F | * | B19-1586-04 | LIGHTING BOARD | | |

L : Scandinavia K : USA P : Canada R : Mexico C : China I : Malaysia
 Y : PX(Far East, Hawaii) T : Europe E : Europe G : Germany V : China (Shanghai)
 Y : AAFES(Europe) X : Australia Q : Russia H : Korea M : Other Areas

Δ indicates safety critical components.

* New Parts
Parts without **Parts No.** are not supplied.
Les articles non mentionnés dans le **Parts No.** ne sont pas fournis.
Teile ohne **Parts No.** werden nicht geliefert.

7

| Ref. No | Add-ress | New Parts | Parts No. | Description | Desti-nation | Re-marks |
|---------|----------|-----------|-------------|-------------------------------|--------------|----------|
| 624 | 2G | * | B19-1587-03 | LIGHTING BOARD | | |
| 625 | 2F | * | B19-1589-04 | LIGHTING BOARD | | |
| 626 | 2G | * | B19-1588-04 | LIGHTING BOARD | | |
| 627 | 2G | * | B11-0374-04 | SMOKED FILTER | | |
| - | | * | B46-0096-53 | WARRANTY CARD | X | |
| - | | * | B46-0310-03 | WARRANTY CARD | EQTE2 | |
| - | | * | B58-0965-13 | CAUTION CARD (T,XtypePL) | TX | |
| - | | * | B58-0966-13 | CAUTION CARD (ELMtypePL) | EE2 | |
| - | | * | B58-1526-03 | CAUTION CARD (P4,ORI,A4,1(Q)) | Q | |
| - | | * | B58-1569-04 | CAUTION CARD | | |
| - | | * | B58-1607-03 | CAUTION CARD | E2 | |
| - | | * | B60-3768-00 | INSTRUCTION MANUAL(ENGLISH) | QTXE2 | |
| - | | * | B60-3771-00 | INSTRUCTION MANUAL(SPANISH) | E | |
| - | | * | B60-3776-00 | INSTRUCTION MANUAL(FRENCH) | E | |
| - | | * | B60-3777-00 | INSTRUCTION MANUAL(GERMAN) | E | |
| - | | * | B60-3778-00 | INSTRUCTION MANUAL(DUTCH) | E | |
| - | | * | B60-3779-00 | INSTRUCTION MANUAL(ITALIAN) | E | |
| - | | * | B60-3780-00 | INSTRUCTION MANUAL(PH) | E2 | |
| - | | * | B60-3781-00 | INSTRUCTION MANUAL(R) | Q | |
| - | | * | B60-3831-00 | INSTRUCTION MANUAL(HG) | E2 | |
| - | | * | B60-3832-00 | INSTRUCTION MANUAL(CZ) | E2 | |
| 629 | 2G | | D39-0334-05 | DAMPER | | |
| △ 635 | 1H | | E30-2592-15 | AC POWER CORD | EQE2 | |
| △ 635 | 1H | | E30-2717-05 | AC POWER CORD | X | |
| △ 635 | 1H | | E30-2829-05 | AC POWER CORD | T | |
| 636 | 2H | * | E35-2136-05 | FLAT CABLE | | |
| 637 | 1H,2H | * | E35-2137-05 | FLAT CABLE | | |
| 638 | 2H | * | E35-2138-15 | FLAT CABLE | | |
| 639 | 1G,2G | * | E35-2139-05 | FLAT CABLE(11P) | | |
| 640 | 1F | * | E35-2194-05 | FLAT CABLE | X1 | |
| 644 | 1G | * | F09-0137-05 | FAN | | |
| 648 | 2G | * | G01-4042-04 | TORSION COIL SPRING | | |
| 649 | 2G | * | G01-4043-04 | TORSION COIL SPRING | | |
| - | | | G10-0452-04 | NON-WOVEN FABRIC | | |
| - | | | G11-0155-14 | SOFT TAPE (40X9X2) | | |
| - | | | G11-2345-04 | CUSHION | | |
| - | | * | H10-7435-12 | POLYSTYRENE FOAMED FIXTURE(L) | | |
| - | | * | H10-7436-12 | POLYSTYRENE FOAMED FIXTURE(R) | | |
| - | | * | H13-0086-04 | CARTON BOARD | | |
| - | | * | H25-0632-24 | PROTECTION BAG | EQXE2 | |
| - | | * | H25-0644-04 | PROTECTION BAG (0632 PRINT) | T | |
| - | | * | H25-1536-04 | PROTECTION BAG | | |
| - | | * | H50-2889-04 | ITEM CARTON CASE | X | |
| - | | * | H50-2890-04 | ITEM CARTON CASE | ET | |
| - | | * | H50-2909-04 | ITEM CARTON CASE | E2 | |
| - | | * | H50-2910-04 | ITEM CARTON CASE | Q | |
| 654 | 1F | | J19-3645-05 | ANTENNA STAND | | |
| 655 | 1G | | J19-3327-05 | UNIT HOLDER | | |
| 656 | 1H | | J19-3329-05 | UNIT HOLDER | | |
| 657 | 1G | | J19-3752-14 | UNIT HOLDER | | |
| △ 662 | 2H | | J42-0083-05 | POWER CORD BUSHING | | |
| - | | | J52-0039-05 | PUSH LATCH | | |

L : Scandinavia K : USA P : Canada R : Mexico C : China I : Malaysia
Y : PX(Far East, Hawaii) T : Europe E : Europe G : Germany V : China (Shanghai)
Y : AAFES(Europe) X : Australia Q : Russia H : Korea M : Other Areas

△ indicates safety critical components.

* New Parts
Parts without **Parts No.** are not supplied.
Les articles non mentionnés dans le **Parts No.** ne sont pas fournis.
Teile ohne **Parts No.** werden nicht geliefert.

8

| Ref. No | Add-ress | New Parts | Parts No. | Description | Desti-nation | Re-marks |
|--|----------|-----------|---------------|---------------------------------|--------------|----------|
| - | | | J61-0307-05 | WIRE BAND | | |
| 667 | 1F | * | K29-6925-04 | KNOB(JOG) | | |
| 668 | 2F | * | K29-6950-04 | KNOB(MULTI CONTROL VOLUME) | | |
| 670 | 2F | * | K29-6953-04 | KNOB(MIC) | X | |
| 681 | 1G | * | L07-2531-05 | POWER TRANSFORMER | X | |
| 681 | 1G | * | L07-2532-05 | POWER TRANSFORMER | ETE2 | |
| 681 | 1G | | L07-2533-05 | POWER TRANSFORMER | Q | |
| 685 | 1G | | T90-0801-05 | LEAD WIRE ANTENNA | X | |
| 685 | 1G | | T90-0836-05 | LEAD WIRE ANTENNA | EQTE2 | |
| 686 | 1G | | T90-0833-05 | LOOP ANTENNA | | |
| MPX UNIT (X04-1313-80) : Q only | | | | | | |
| C1 | | | CE04LW1H010M | ELECTRO | 1.0UF | 50WV |
| C2 ,3 | | * | C91-1566-05 | PF-C | 0.01UF | G |
| C4 | | | CE04LW1A470M | ELECTRO | 47UF | 10WV |
| C5 ,6 | | | CQ93FMG1H102J | MYLAR | 1000PF | J |
| C7 | | | CC45FSL1H331J | CERAMIC | 330PF | J |
| C8 | | | CK45FB1H102K | CERAMIC | 1000PF | K |
| C9 | | | CC93FCH1H471J | CERAMIC | 470PF | J |
| C10 ,11 | | | CE04LW1HR47M | ELECTRO | 0.47UF | 50WV |
| C12 | | | CK45FF1H473Z | CERAMIC | 0.047UF | Z |
| C13 -15 | | | CE04LW1H010M | ELECTRO | 1.0UF | 50WV |
| C16 | | | CK45FF1H103Z | CERAMIC | 0.010UF | Z |
| C17 ,18 | | | CE04LW1H2R2M | ELECTRO | 2.2UF | 50WV |
| C19 ,20 | | | CQ93FMG1H682J | MYLAR | 6800PF | J |
| C21 | | | CK45FF1H103Z | CERAMIC | 0.010UF | Z |
| C22 | | | CE04LW1A470M | ELECTRO | 47UF | 10WV |
| C23 ,24 | | | CQ93FMG1H472J | MYLAR | 4700PF | J |
| C25 | | | CC45FSL1H121J | CERAMIC | 120PF | J |
| C26 | | | CE04LW1H2R2M | ELECTRO | 2.2UF | 50WV |
| TC1 | | * | C05-0463-05 | CERAMIC TRIMMER CAPACITOR(120P) | | |
| CN1 | | * | E40-8288-05 | FLAT CABLE CONNECTOR | | |
| CN2 ,3 | | * | E40-4871-05 | PIN ASSY | | |
| CN6 | | * | E40-4872-05 | PIN ASSY | | |
| L1 | | * | L39-1350-05 | PEAKING COIL | | |
| L2 ,3 | | | L79-1236-05 | LC FILTER | | |
| L4 | | | L40-1021-14 | SMALL FIXED INDUCTOR(1.0MH,K) | | |
| △ R9 | | | RS14KB3A221J | FL-PROOF RS | 220 | J 1W |
| VR1 | | | R12-3685-05 | TRIMMING POT.(10K) | | |
| VR2 | | | R12-1619-05 | TRIMMING POT.(4.7K) | | |
| D1 | | | HZS5.1N(B2) | ZENER DIODE | | |
| D1 | | | MTZJ5.1(B) | ZENER DIODE | | |
| D2 ,3 | | | HSS104 | DIODE | | |
| D2 ,3 | | | 1SS133 | DIODE | | |
| D4 | | | HZS5.1N(B2) | ZENER DIODE | | |
| D4 | | | MTZJ5.1(B) | ZENER DIODE | | |
| D6 ,7 | | | HSS104 | DIODE | | |
| D6 ,7 | | | 1SS133 | DIODE | | |
| IC1 | | * | IR3R42 | ANALOGUE IC | | |
| IC2 | | | NJM4565D | ANALOGUE IC | | |
| IC3 | | | TC4052BP | IC(4CH MPX/DE-MPX) | | |
| Q1 | | | 2SA1175(F,E) | TRANSISTOR | | |
| Q1 | | | 2SA933AS(Q,R) | TRANSISTOR | | |

L : Scandinavia K : USA P : Canada R : Mexico C : China I : Malaysia
Y : PX(Far East, Hawaii) T : Europe E : Europe G : Germany V : China (Shanghai)
Y : AAFES(Europe) X : Australia Q : Russia H : Korea M : Other Areas

△ indicates safety critical components.

PARTS LIST

RXD-501/551/571/A5/701/751/771/A8

PARTS LIST

* New Parts
Parts without **Parts No.** are not supplied.
Les articles non mentionnés dans le **Parts No.** ne sont pas fournis.
Teile ohne **Parts No.** werden nicht geliefert.

9

| Ref. No | Add-ress | New Parts | Parts No. | Description | Desti-nation | Re-marks |
|---|----------|-----------|---------------|--------------------|--------------|----------|
| Q5 | | | DTC124ESA | DIGITAL TRANSISTOR | | |
| Q5 | | | UN4212 | DIGITAL TRANSISTOR | | |
| TUNER UNIT (X05-4710-21) : M2 only | | | | | | |
| C1 | .2 | | CK73FB1H103K | CHIP C | 0.010UF | K |
| C3 | .5 | | CK73FB1H473K | CHIP C | 0.047UF | K |
| C6 | | | CE04LW1H220M | ELECTRO | 22UF | 50WV |
| C7 | | | CE04LW1H010M | ELECTRO | 1.0UF | 50WV |
| C8 | | | CE04LW1HR47M | ELECTRO | 0.47UF | 50WV |
| C9 | | | CE04LW1H010M | ELECTRO | 1.0UF | 50WV |
| C10 | | | CC73FCH1H470J | CHIP C | 47PF | J |
| C11 | | | CE04LW1A221M | ELECTRO | 220UF | 10WV |
| C12 | | | CK73FB1H473K | CHIP C | 0.047UF | K |
| C13 | | | CE04LW1H3R3M | ELECTRO | 3.3UF | 50WV |
| C14 | | | CK73FB1H473K | CHIP C | 0.047UF | K |
| C15 | | | CE04LW1C330M | ELECTRO | 33UF | 16WV |
| C16 | | | CC73FSL1H821J | CHIP C | 820PF | J |
| C17 | .18 | | CE04LW1C100M | ELECTRO | 10UF | 16WV |
| C19 | .20 | | CQ93FMG1H183J | MYLAR | 0.018UF | J |
| C21 | .22 | | CE04LW1H010M | ELECTRO | 1.0UF | 50WV |
| C23 | .24 | | CQ93FMG1H682J | MYLAR | 6800PF | J |
| C25 | | | CE04LW1H010M | ELECTRO | 1.0UF | 50WV |
| C26 | | | CK73FB1H103K | CHIP C | 0.010UF | K |
| C27 | | | CE04LW1C470M | ELECTRO | 47UF | 16WV |
| C28 | | | CC73FCH1H040C | CHIP C | 4.0PF | C |
| C29 | .30 | | CK73FB1H103K | CHIP C | 0.010UF | K |
| C33 | | * | CC93FCH1H472J | CERAMIC | 4700PF | J |
| C34 | | | CK73FB1H223K | CHIP C | 0.022UF | K |
| C35 | | | CK73EB1H223K | CHIP C | 0.022UF | K |
| C37 | | | CK73EF1C105Z | CHIP C | 1.0UF | Z |
| C38 | | | CQ93FMG1H223J | MYLAR | 0.022UF | J |
| C39 | | | CE04LW1H2R2M | ELECTRO | 2.2UF | 50WV |
| C40 | | | CE04LW1C470M | ELECTRO | 47UF | 16WV |
| C41 | | | CK73FB1H473K | CHIP C | 0.047UF | K |
| C42 | | | CC73FCH1H120J | CHIP C | 12PF | J |
| C43 | | | CC73FCH1H100D | CHIP C | 10PF | D |
| C44 | | | CC73FSL1H471J | CHIP C | 470PF | J |
| C45 | | | C91-0745-05 | CERAMIC | 100PF | K |
| C46 | | | CC73FSL1H471J | CHIP C | 470PF | J |
| C47 | | | CC73FSL1H101J | CHIP C | 100PF | J |
| C48 | | | CE04LW1C101M | ELECTRO | 100UF | 16WV |
| C49 | | | CE04HW1E100M | NP-ELEC | 10UF | 25WV |
| C50 | | | CK73FB1H473K | CHIP C | 0.047UF | K |
| C51 | | | CQ93FMG1H333J | MYLAR | 0.033UF | J |
| C52 | .53 | | CK73FB1H223K | CHIP C | 0.022UF | K |
| C54 | | | CK73FB1H103K | CHIP C | 0.010UF | K |
| C55 | | | CK73FB1H223K | CHIP C | 0.022UF | K |
| C56 | | | CC73FCH1H220J | CHIP C | 22PF | J |
| C57 | | | C91-0757-05 | CERAMIC | 1000PF | K |
| C58 | | | CK73FF1E104Z | CHIP C | 0.10UF | Z |
| C59 | | | CC73FSL1H101J | CHIP C | 100PF | J |
| C61 | | | CE04LW1C470M | ELECTRO | 47UF | 16WV |
| C62 | | | CK73FB1H223K | CHIP C | 0.022UF | K |
| C63 | | | CK73FB1H103K | CHIP C | 0.010UF | K |
| C64 | | | CC73FCH1H220J | CHIP C | 22PF | J |

L : Scandinavia K : USA P : Canada R : Mexico C : China I : Malaysia
Y : PX(Far East, Hawaii) T : Europe E : Europe G : Germany V : China (Shanghai)
Y : AAFES(Europe) X : Australia Q : Russia H : Korea M : Other Areas

△ indicates safety critical components.

* New Parts
Parts without **Parts No.** are not supplied.
Les articles non mentionnés dans le **Parts No.** ne sont pas fournis.
Teile ohne **Parts No.** werden nicht geliefert.

10

| Ref. No | Add-ress | New Parts | Parts No. | Description | Desti-nation | Re-marks |
|---------|----------|-----------|---------------|-------------------------------|--------------|----------|
| C65 | | | CK73FB1H103K | CHIP C | 0.010UF | K |
| C67 | | | CC73FCH1H220J | CHIP C | 22PF | J |
| CN1 | | | E40-8052-05 | SOCKET FOR PIN ASSY | | |
| CN2 | | | E40-4871-05 | PIN ASSY | | |
| J1 | | | E20-0476-05 | LOCK TERMINAL BOARD(4P) | | |
| J1 | | | E70-0051-05 | LOCK TERMINAL BOARD | | |
| CF1 | .2 | * | L72-0611-05 | CERAMIC FILTER | | |
| L1 | | * | L39-1372-05 | COMBINATION COIL | | |
| L2 | | * | L31-0627-05 | SW-RF COIL | | |
| L3 | | * | L32-0593-05 | SW OSCILLATING COIL | | |
| L4 | | * | L30-0911-05 | AM IFT | | |
| L5 | | * | L30-0933-05 | FM IFT | | |
| L6 | | | L40-1021-14 | SMALL FIXED INDUCTOR(1.0MH,K) | | |
| L7 | | | L40-1091-17 | SMALL FIXED INDUCTOR(1UH) | | |
| X1 | | * | L77-2232-05 | CRYSTAL RESONATOR | | |
| R1 | | | RK73FB2A332J | CHIP R | 3.3K | J 1/10W |
| R2 | | | RK73FB2A681J | CHIP R | 680 | J 1/10W |
| R3 | | | RK73FB2A220J | CHIP R | 22 | J 1/10W |
| R4 | .5 | | RK73FB2A331J | CHIP R | 330 | J 1/10W |
| R6 | .7 | | RK73FB2A101J | CHIP R | 100 | J 1/10W |
| R8 | | | RK73FB2A331J | CHIP R | 330 | J 1/10W |
| R9 | | | RK73FB2A472J | CHIP R | 4.7K | J 1/10W |
| R10 | | | RK73FB2A302J | CHIP R | 3.0K | J 1/10W |
| R12 | | | RK73FB2A472J | CHIP R | 4.7K | J 1/10W |
| R13 | | | RK73FB2A473J | CHIP R | 47K | J 1/10W |
| R14 | | | RK73FB2A912J | CHIP R | 9.1K | J 1/10W |
| R15 | | | RK73FB2A332J | CHIP R | 3.3K | J 1/10W |
| R16 | | | RK73FB2A472J | CHIP R | 4.7K | J 1/10W |
| R17 | .18 | | RK73FB2A183J | CHIP R | 18K | J 1/10W |
| R19 | .20 | | RK73FB2A332J | CHIP R | 3.3K | J 1/10W |
| R21 | .22 | | RK73FB2A393J | CHIP R | 39K | J 1/10W |
| R23 | .24 | | RK73FB2A561J | CHIP R | 560 | J 1/10W |
| R27 | | | RK73FB2A392J | CHIP R | 3.9K | J 1/10W |
| R28 | | | RK73FB2A220J | CHIP R | 22 | J 1/10W |
| R30 | | | RS14KB3A680J | FL-PROOF RS | 68 | J 1W |
| R32 | | | RK73FB2A105J | CHIP R | 1.0M | J 1/10W |
| R33 | | | RK73FB2A103J | CHIP R | 10K | J 1/10W |
| R34 | | | RK73FB2A224J | CHIP R | 220K | J 1/10W |
| R35 | | | RK73FB2A332J | CHIP R | 3.3K | J 1/10W |
| R36 | | | RK73FB2A104J | CHIP R | 100K | J 1/10W |
| R37 | | | RK73FB2A101J | CHIP R | 100 | J 1/10W |
| R38 | | | RK73FB2A105J | CHIP R | 1.0M | J 1/10W |
| R39 | | | RK73FB2A104J | CHIP R | 100K | J 1/10W |
| R40 | | | RK73EB2B103J | CHIP R | 10K | J 1/8W |
| R41 | | | RK73FB2A224J | CHIP R | 220K | J 1/10W |
| R42 | | | RK73FB2A105J | CHIP R | 1.0M | J 1/10W |
| R43 | | | RK73FB2A122J | CHIP R | 1.2K | J 1/10W |
| R44 | | | RK73FB2A123J | CHIP R | 1.2K | J 1/10W |
| R45 | | | RK73FB2A122J | CHIP R | 1.2K | J 1/10W |
| R46 | | | RK73FB2A123J | CHIP R | 1.2K | J 1/10W |
| R47 | | | RK73FB2A105J | CHIP R | 1.0M | J 1/10W |
| R48 | | | RK73FB2A104J | CHIP R | 100K | J 1/10W |
| R49 | | | RK73EB2B221J | CHIP R | 220 | J 1/8W |
| R50 | | | RD14NB2E331J | RD | 330 | J 1/4W |

L : Scandinavia K : USA P : Canada R : Mexico C : China I : Malaysia
Y : PX(Far East, Hawaii) T : Europe E : Europe G : Germany V : China (Shanghai)
Y : AAFES(Europe) X : Australia Q : Russia H : Korea M : Other Areas

△ indicates safety critical components.

* New Parts
Parts without **Parts No.** are not supplied.
Les articles non mentionnés dans le **Parts No.** ne sont pas fournis.
Teile ohne **Parts No.** werden nicht geliefert.

11

| Ref. No | Add-ress | New Parts | Parts No. | Description | Desti-nation | Re-marks |
|---|----------|-----------|---------------|----------------------------|--------------|----------|
| R51 | | | RD14NB2E101J | RD 100 J 1/4W | | |
| R52 | | | RD14NB2E561J | RD 560 J 1/4W | | |
| R54 | | | RK73FB2A222J | CHIP R 2.2K J 1/10W | | |
| R55 | | | RK73FB2A102J | CHIP R 1.0K J 1/10W | | |
| R56 | | | RK73FB2A103J | CHIP R 10K J 1/10W | | |
| R57 -62 | | | RK73FB2A102J | CHIP R 1.0K J 1/10W | | |
| R63 | | | RK73FB2A103J | CHIP R 10K J 1/10W | | |
| R64 | | | RK73FB2A122J | CHIP R 1.2K J 1/10W | | |
| R65 | | | RK73FB2A123J | CHIP R 12K J 1/10W | | |
| R67 -69 | | | RK73FB2A101J | CHIP R 100 J 1/10W | | |
| R75 | | | RK73FB2A101J | CHIP R 100 J 1/10W | | |
| R76 | | | RK73FB2A105J | CHIP R 1.0M J 1/10W | | |
| R77 | | | RK73FB2A244J | CHIP R 240K J 1/10W | | |
| R78 | | | RK73FB2A105J | CHIP R 1.0M J 1/10W | | |
| R79 | | | RK73FB2A472J | CHIP R 4.7K J 1/10W | | |
| R80 | | | RK73FB2A101J | CHIP R 100 J 1/10W | | |
| R81 | | | RK73FB2A222J | CHIP R 2.2K J 1/10W | | |
| R82 | | | RK73FB2A392J | CHIP R 3.9K J 1/10W | | |
| R83 | | | RK73FB2A103J | CHIP R 10K J 1/10W | | |
| W101,102 | | | R92-0670-05 | CHIP R 0 OHM | | |
| W104-112 | | | R92-0670-05 | CHIP R 0 OHM | | |
| W201 | | | R92-0679-05 | CHIP R 0 OHM | | |
| W203-207 | | | R92-0679-05 | CHIP R 0 OHM | | |
| W209 | | | R92-0679-05 | CHIP R 0 OHM | | |
| W213,214 | | | R92-0679-05 | CHIP R 0 OHM | | |
| D1 ,2 | | | MA111 | DIODE | | |
| D3 | | | HZS5.1N(B2) | ZENER DIODE | | |
| D3 | | | MTZJ5.1(B) | ZENER DIODE | | |
| D4 | | | HZS8.2N(B2) | ZENER DIODE | | |
| D4 | | | MTZJ8.2(B) | ZENER DIODE | | |
| D7 | | | KV1590ATS2 | VARIABLE CAPACITANCE DIODE | | |
| IC1 | | * | LA1837 | ANALOGUE IC | | |
| IC2 | | | LC72131 | MOS-IC | | |
| Q1 | | | 2SC2714(R,O) | TRANSISTOR | | |
| Q2 | | | 2SA1576A(R,S) | TRANSISTOR | | |
| Q2 | | | 2SB1218A(Q,R) | TRANSISTOR | | |
| Q3 -5 | | | 2SC4081(R,S) | TRANSISTOR | | |
| Q3 -5 | | | 2SD1819A(Q,R) | TRANSISTOR | | |
| Q7 ,8 | | | 2SC4081(R,S) | TRANSISTOR | | |
| Q7 ,8 | | | 2SD1819A(Q,R) | TRANSISTOR | | |
| Q9 | | | 2SK302(Y,GR) | FET | | |
| Q10 ,11 | | | 2SA1576A(R,S) | TRANSISTOR | | |
| Q10 ,11 | | | 2SB1218A(Q,R) | TRANSISTOR | | |
| Q12 | | | 2SK302(Y,GR) | FET | | |
| Q16 | | | 2SK302(Y,GR) | FET | | |
| Q17 | | | 2SC4081(R,S) | TRANSISTOR | | |
| Q17 | | | 2SD1819A(Q,R) | TRANSISTOR | | |
| A1 | | * | W02-2582-05 | FM FRONT-END ASSY | | |
| TUNER UNIT (X05-489X-XX) : KPVMX | | | | | | |
| C1 ,2 | | | CK73FB1H103K | CHIP C 0.010UF K | | |
| C3 | | | CC73FCH1H040C | CHIP C 4.0PF C | | |
| C5 | | | CK73FB1H222K | CHIP C 2200PF K | | |
| C7 | | | CK73FB1H102K | CHIP C 1000PF K | | |
| C8 | | | CK73FB1H103K | CHIP C 0.010UF K | | |

L : Scandinavia K : USA P : Canada R : Mexico C : China I : Malaysia
Y : PX(Far East, Hawaii) T : Europe E : Europe G : Germany V : China (Shanghai)
Y : AAFES(Europe) X : Australia Q : Russia H : Korea M : Other Areas

Δ indicates safety critical components.

* New Parts
Parts without **Parts No.** are not supplied.
Les articles non mentionnés dans le **Parts No.** ne sont pas fournis.
Teile ohne **Parts No.** werden nicht geliefert.

12

| Ref. No | Add-ress | New Parts | Parts No. | Description | Desti-nation | Re-marks |
|-------------|----------|-----------|---------------|---------------------------|--------------|----------|
| C9 | | | CE04LW1C100M | ELECTRO 10UF 16WV | | |
| C10 | | | CK73FB1H473K | CHIP C 0.047UF K | | |
| C11 | | | CE04LW1H010M | ELECTRO 1.0UF 50WV | | |
| C12 | | | CE04LW1H2R2M | ELECTRO 2.2UF 50WV | | |
| C13 | | | CK73FB1H102K | CHIP C 1000PF K | | |
| C14 | | | CE04LW1H010M | ELECTRO 1.0UF 50WV | | |
| C15 | | | CC73FCH1H220J | CHIP C 22PF J | | |
| C16 | | | CE04LW1C100M | ELECTRO 10UF 16WV | | |
| C17 | | | CK73FB1H562K | CHIP C 5600PF K | | |
| C18 | | | CK73FB1H102K | CHIP C 1000PF K | | |
| C19 | | | CE04HW1E4R7M | NP-ELEC 4.7UF 25WV | | |
| C20 | | | CK73FB1E104K | CHIP C 0.10UF K | | |
| C21 ,22 | | | CQ93FMG1H123J | MYLAR 0.012UF J | YMX | |
| C21 ,22 | | | CQ93FMG1H183J | MYLAR 0.018UF J | KP | |
| C23 | | | CE04LW1H010M | ELECTRO 1.0UF 50WV | | |
| C25 | | | CE04LW1C100M | ELECTRO 10UF 16WV | | |
| C26 | | | CE04LW1C470M | ELECTRO 47UF 16WV | | |
| C27 | | | CE04LW1H010M | ELECTRO 1.0UF 50WV | | |
| C28 | | | CQ93FMG1H223J | MYLAR 0.022UF J | | |
| C29 | | | CE04LW1H2R2M | ELECTRO 2.2UF 50WV | | |
| C30 | | | CE04LW1C101M | ELECTRO 100UF 16WV | | |
| C31 | | | CE04LW1A470M | ELECTRO 47UF 10WV | | |
| C32 | | | CK73FB1H103K | CHIP C 0.010UF K | | |
| C33 | | | CC73FSL1H101J | CHIP C 100PF J | | |
| C34 ,35 | | | CK73FB1H102K | CHIP C 1000PF K | | |
| C36 | | | CC73FCH1H120J | CHIP C 12PF J | | |
| C37 | | | CC73FCH1H100D | CHIP C 10PF D | | |
| C38 | | | CK73FB1H471K | CHIP C 470PF K | | |
| C52 | | | CC73FCH1H470J | CHIP C 47PF J | | |
| C57 ,58 | | | CE04LW1H010M | ELECTRO 1.0UF 50WV | | |
| C61 ,62 | | | CQ93FMG1H562J | MYLAR 5600PF J | YM | |
| C63 | | | CC73FSL1H121J | CHIP C 120PF J | | |
| C64 | | | CK73FB1H473K | CHIP C 0.047UF K | | |
| CN1 | | | E40-8052-05 | SOCKET FOR PIN ASSY | | |
| E20-0476-05 | | | E70-0051-05 | LOCK TERMINAL BOARD(4P) | | |
| J1 | | | | LOCK TERMINAL BOARD | | |
| CF1 ,2 | | * | L72-0611-05 | CERAMIC FILTER | | |
| CF3 | | * | L72-0613-05 | CERAMIC FILTER | | |
| L1 | | | L39-1366-05 | COMBINATION COIL | | |
| L2 | | | L30-0911-05 | AM IFT | | |
| L3 ,4 | | | L40-1091-17 | SMALL FIXED INDUCTOR(1UH) | | |
| X1 | | | L77-2232-05 | CRYSTAL RESONATOR | | |
| X2 | | | L78-0637-05 | RESONATOR (456KHZ) | | |
| R1 | | | RK73FB2A332J | CHIP R 3.3K J 1/10W | | |
| R2 | | | RK73FB2A681J | CHIP R 680 J 1/10W | | |
| R3 | | | RK73FB2A5R6J | CHIP R 5.6 J 1/10W | | |
| R4 ,5 | | | RK73FB2A331J | CHIP R 330 J 1/10W | | |
| R6 | | | RK73FB2A101J | CHIP R 100 J 1/10W | | |
| R7 | | | RK73FB2A473J | CHIP R 47K J 1/10W | | |
| R8 | | | RK73FB2A331J | CHIP R 330 J 1/10W | | |
| R12 | | | RK73FB2A472J | CHIP R 4.7K J 1/10W | | |
| R13 | | | RK73FB2A333J | CHIP R 33K J 1/10W | | |
| R15 ,16 | | | RK73FB2A224J | CHIP R 220K J 1/10W | | |

L : Scandinavia K : USA P : Canada R : Mexico C : China I : Malaysia
Y : PX(Far East, Hawaii) T : Europe E : Europe G : Germany V : China (Shanghai)
Y : AAFES(Europe) X : Australia Q : Russia H : Korea M : Other Areas

Δ indicates safety critical components.

PARTS LIST

RXD-501/551/571/A5/701/751/771/A8

* New Parts

Parts without **Parts No.** are not supplied.
Les articles non mentionnés dans le **Parts No.** ne sont pas fournis.
Teile ohne **Parts No.** werden nicht geliefert.



| Ref. No | Add-ress | New Parts | Parts No. | Description | Desti-nation | Re-marks |
|---|----------|-----------|---------------|------------------------------|--------------|----------|
| R17 | | | RK73FB2A271J | CHIP R 270 J 1/10W | | |
| R18 | | | RK73FB2A302J | CHIP R 3.0K J 1/10W | | |
| R19 | | | RK73FB2A822J | CHIP R 8.2K J 1/10W | | |
| R21 -23 | | | RK73FB2A102J | CHIP R 1.0K J 1/10W | | |
| R24 | | | RK73FB2A562J | CHIP R 5.6K J 1/10W | | |
| △ R25 | | | RD14NB2E101J | RD 100 J 1/4W | | |
| △ R26 | | | RD14NB2E561J | RD 560 J 1/4W | | |
| R27 | | | RK73FB2A102J | CHIP R 1.0K J 1/10W | | |
| R28 | | | RK73FB2A103J | CHIP R 10K J 1/10W | | |
| R29 ,30 | | | RK73FB2A102J | CHIP R 1.0K J 1/10W | | |
| R31 | | | RK73FB2A103J | CHIP R 10K J 1/10W | | |
| R32 | | | RK73FB2A122J | CHIP R 1.2K J 1/10W | | |
| R33 | | | RK73FB2A123J | CHIP R 12K J 1/10W | | |
| △ R41 | | | RS14KB3A181J | FL-PROOF RS 180 J 1W | | |
| △ R42 | | | RD14NB2E820J | RD 82 J 1/4W | | |
| △ R43 | | | RD14NB2E221J | RD 220 J 1/4W | | |
| R44 | | | RK73FB2A101J | CHIP R 100 J 1/10W | | |
| R46 | | | RK73FB2A104J | CHIP R 100K J 1/10W | | |
| R48 | | | RK73FB2A473J | CHIP R 47K J 1/10W | | |
| R50 | | | RK73FB2A471J | CHIP R 470 J 1/10W | YM | |
| VR3 | | | RK73FB2A332J | CHIP R 3.3K J 1/10W | | |
| W108,109 | | | R32-0038-05 | SEMI FIXED VARIABLE RESISTOR | | |
| W111-114 | | | R92-0670-05 | CHIP R 0 OHM | | |
| W111-119 | | | R92-0670-05 | CHIP R 0 OHM | YM | |
| W117,118 | | | R92-0670-05 | CHIP R 0 OHM | | |
| W121 | | | R92-0670-05 | CHIP R 0 OHM | | |
| W202-208 | | | R92-0679-05 | CHIP R 0 OHM | | |
| W210,211 | | | R92-0679-05 | CHIP R 0 OHM | | |
| D1 ,2 | | | HSS104 | DIODE | | |
| D1 ,2 | | | 1SS133 | DIODE | | |
| D3 ,4 | | | HZS5.1N(B2) | ZENER DIODE | | |
| D3 ,4 | | | MTZJ5.1(B) | ZENER DIODE | | |
| D8 | | | HSS104 | DIODE | | |
| D8 | | | 1SS133 | DIODE | | |
| D10 | | | MA111 | DIODE | | |
| IC1 | | | LA1832 | ANALOGUE IC | | |
| IC2 | | | LC72131 | MOS-IC | | |
| Q1 | | | 2SC2714(R,O) | TRANSISTOR | | |
| Q3 | | | 2SA1576A(R,S) | TRANSISTOR | | |
| Q3 | | | 2SB1218A(Q,R) | TRANSISTOR | | |
| Q5 | | | 2SC4081(R,S) | TRANSISTOR | | |
| Q5 | | | 2SD1819A(Q,R) | TRANSISTOR | | |
| Q9 ,10 | | | 2SC4081(R,S) | TRANSISTOR | YM | |
| Q9 ,10 | | | 2SD1819A(Q,R) | TRANSISTOR | YM | |
| A1 | | | W02-2638-05 | FM FRONT-END ASSY | | |
| TUNER UNIT (X05-490X-XX) : TEQE2 | | | | | | |
| C1 | | | CE04LW1C470M | ELECTRO 47UF 16WV | | |
| C2 | | | CE04LW1H010M | ELECTRO 1.0UF 50WV | | |
| C3 -8 | | | CK73FB1H103K | CHIP C 0.010UF K | | |
| C9 | | | C91-0769-05 | CERAMIC 0.010UF K | | |
| C30 | | | CK73EB1E473K | CHIP C 0.047UF K | | |
| C31 | | | CE04LW1C470M | ELECTRO 47UF 16WV | | |

L : Scandinavia K : USA P : Canada R : Mexico C : China I : Malaysia
Y : PX(Far East, Hawaii) T : Europe E : Europe G : Germany V : China (Shanghai)
Y : AAFES(Europe) X : Australia Q : Russia H : Korea M : Other Areas

△ indicates safety critical components.

* New Parts

Parts without **Parts No.** are not supplied.
Les articles non mentionnés dans le **Parts No.** ne sont pas fournis.
Teile ohne **Parts No.** werden nicht geliefert.



| Ref. No | Add-ress | New Parts | Parts No. | Description | Desti-nation | Re-marks |
|---------|----------|-----------|---------------|---------------------|--------------|----------|
| C32 | | | CK73EF1H103K | CHIP C 0.010UF K | | |
| C33 | | | CE04LW1C100M | ELECTRO 10UF 16WV | | |
| C34 | | | CK73EB1E104K | CHIP C 0.10UF K | | |
| C35 | | | CE04LW1C100M | ELECTRO 10UF 16WV | | |
| C36 | | | CK73FB1E473K | CHIP C 0.047UF K | | |
| C37 | | | CK73EF1E105Z | CHIP C 1.0UF Z | | |
| C38 | | | C90-3217-05 | ELECTRO 10UF 10WV | | |
| C39 | | | CC73FSL1H101J | CHIP C 100PF J | Q | |
| C40 | | | C90-3253-05 | ELECTRO 1.0UF 50WV | | |
| C41 | | | C90-3251-05 | ELECTRO 0.47UF 50WV | | |
| C42 | | | C90-3240-05 | ELECTRO 2.2UF 35WV | | |
| C43 | | | CE04LW1HR47M | ELECTRO 0.47UF 50WV | | |
| C44 | | | CK73FB1E473K | CHIP C 0.047UF K | | |
| C45 | | | CC73FCH1H220J | CHIP C 22PF J | | |
| C46 | | | CE04LW1A101M | ELECTRO 100UF 10WV | | |
| C47 | | | CK73FB1H682K | CHIP C 6800PF K | | |
| C48 | | | CC73FSL1H681J | CHIP C 680PF J | Q | |
| C48 | | | CC73FSL1H821J | CHIP C 820PF J | | |
| C49 | | | C90-3253-05 | ELECTRO 1.0UF 50WV | | |
| C50 | | | CK73FB1H102K | CHIP C 1000PF K | | |
| C51 ,52 | | | C90-3217-05 | ELECTRO 10UF 10WV | | |
| C53 ,54 | | | CK73FB1H153K | CHIP C 0.015UF K | TEE2 | |
| C53 ,54 | | | CK73FB1H183K | CHIP C 0.018UF K | Q | |
| C55 ,56 | | | C90-3231-05 | ELECTRO 3.3UF 25WV | Q | |
| C55 ,56 | | | C90-3240-05 | ELECTRO 2.2UF 35WV | TEE2 | |
| C59 | | | CC73ESL1H101J | CHIP C 100PF J | Q | |
| C60 | | | CK73FB1E104K | CHIP C 0.10UF K | | |
| C61 | | | CK73FB1H103K | CHIP C 0.010UF K | | |
| C62 | | | CK73FB1H333K | CHIP C 0.033UF K | TQ | |
| C63 | | | CC73FCH1H090D | CHIP C 9.0PF D | TQ | |
| C64 | | | CK73FB1H333K | CHIP C 0.033UF K | | |
| C66 | | | CC73FCH1H060D | CHIP C 6.0PF D | | |
| C67 | | | CC73FCH1H220J | CHIP C 22PF J | EEQ2 | |
| C67 | | | CC73FCH1H330J | CHIP C 33PF J | T | |
| C68 | | | CC73FSL1H020C | CHIP C 2.0PF C | EE2 | |
| C69 | | | CK73FB1H103K | CHIP C 0.010UF K | | |
| C70 | | | CC73FSL1H101J | CHIP C 100PF J | | |
| C77 ,78 | | | CK73FB1H332K | CHIP C 3300PF K | TEE2 | |
| C79 ,80 | | | CC73FSL1H101J | CHIP C 100PF J | Q | |
| C80 | | | CC73FSL1H101J | CHIP C 100PF J | TEE2 | |
| C81 | | | CC73FCH1H220J | CHIP C 22PF J | | |
| C82 | | | CC73FCH1H270J | CHIP C 27PF J | | |
| C83 ,84 | | | CK73FB1H102K | CHIP C 1000PF K | | |
| C85 | | | C91-0745-05 | CERAMIC 100PF K | | |
| C86 | | | C91-0757-05 | CERAMIC 1000PF K | | |
| C87 | | | CE04LW1A470M | ELECTRO 47UF 10WV | | |
| C88 | | | CC73FSL1H331J | CHIP C 330PF J | Q | |
| C89 | | | CE04LW1C470M | ELECTRO 47UF 16WV | | |
| C90 | | | CE04LW1H2R2M | ELECTRO 2.2UF 50WV | | |
| C91 | | | CQ93FMG1H223J | MYLAR 0.022UF J | | |
| C92 | | | CC73FSL1H471J | CHIP C 470PF J | | |
| C93 | | | CK73FB1H103K | CHIP C 0.010UF K | | |
| C94 | | | CK73FB1H102K | CHIP C 1000PF K | | |
| C95 | | | CC73FCH1H470J | CHIP C 47PF J | | |
| C96 | | | CC73FSL1H101J | CHIP C 100PF J | | |

L : Scandinavia K : USA P : Canada R : Mexico C : China I : Malaysia
Y : PX(Far East, Hawaii) T : Europe E : Europe G : Germany V : China (Shanghai)
Y : AAFES(Europe) X : Australia Q : Russia H : Korea M : Other Areas

△ indicates safety critical components.

* New Parts
 Parts without **Parts No.** are not supplied.
 Les articles non mentionnés dans le **Parts No.** ne sont pas fournis.
 Teile ohne **Parts No.** werden nicht geliefert.



| Ref. No | Address | New Parts | Parts No. | Description | Destination | Remarks |
|---------|---------|-----------|--------------|------------------------------|-------------|---------|
| CN1 | | | E40-8052-05 | SOCKET FOR PIN ASSY | | |
| CN2 | | | E40-4871-05 | PIN ASSY | | |
| J1 | | | E20-0321-05 | LOCK TERMINAL BOARD(2P,F) | | |
| J1 | | | E70-0052-05 | LOCK TERMINAL BOARD | | |
| CF1 ,2 | | * | L72-0612-05 | CERAMIC FILTER | | |
| L31 | | | L30-0929-05 | FM IFT | | |
| L32 | | | L30-0930-05 | FM IFT | | |
| L33 | | | L30-0911-05 | AM IFT | | |
| L34 | | | L79-1237-05 | LC FILTER | | |
| L61 | | | L40-1091-17 | SMALL FIXED INDUCTOR(1UH) | | |
| L62 | | * | L39-1367-05 | COMBINATION COIL | EE2 | |
| L62 | | * | L39-1368-05 | COMBINATION COIL | TQ | |
| L63 | | | L40-1001-17 | SMALL FIXED INDUCTOR(10UH,K) | EE2 | |
| L81 | | | L40-1091-17 | SMALL FIXED INDUCTOR(1UH) | | |
| X31 | | | L78-0637-05 | RESONATOR (456KHZ) | | |
| X81 | | | L77-2185-05 | CRYSTAL RESONATOR | | |
| R1 | | | RD14NB2E101J | RD 100 J 1/4W | | |
| R2 | | | RK73EB2B221J | CHIP R 220 J 1/8W | | |
| R3 | | | RK73FB2A332J | CHIP R 3.3K J 1/10W | | |
| R4 | | | RK73FB2A681J | CHIP R 680 J 1/10W | | |
| R5 | | | RK73FB2A331J | CHIP R 330 J 1/10W | | |
| R6 | | | RK73FB2A220J | CHIP R 22 J 1/10W | | |
| R7 | | | RK73FB2A332J | CHIP R 3.3K J 1/10W | | |
| R8 | | | RK73FB2A331J | CHIP R 330 J 1/10W | | |
| R10 | | | RK73FB2A332J | CHIP R 3.3K J 1/10W | | |
| R11 | | | RK73FB2A681J | CHIP R 680 J 1/10W | | |
| R12 | | | RK73FB2A122J | CHIP R 1.2K J 1/10W | | |
| R13 ,14 | | | RK73FB2A331J | CHIP R 330 J 1/10W | | |
| R15 | | | RK73FB2A101J | CHIP R 100 J 1/10W | | |
| R16 | | | RK73FB2A220J | CHIP R 22 J 1/10W | TEE2 | |
| R16 | | | RK73FB2A470J | CHIP R 47 J 1/10W | Q | |
| R17 | | | RK73FB2A621J | CHIP R 620 J 1/10W | | |
| R18 | | | RK73FB2A123J | CHIP R 12K J 1/10W | | |
| R19 | | | RK73FB2A4R7J | CHIP R 4.7 J 1/10W | | |
| R20 | | | RK73FB2A122J | CHIP R 1.2K J 1/10W | | |
| R31 | | | RS14KB3A820J | FL-PROOF RS 82 J 1W | | |
| R32 | | | RK73EB2B562J | CHIP R 5.6K J 1/8W | | |
| R33 | | | RK73FB2A302J | CHIP R 3.0K J 1/10W | | |
| R34 | | | RK73FB2A822J | CHIP R 8.2K J 1/10W | | |
| R35 | | | RK73FB2A333J | CHIP R 33K J 1/10W | | |
| R36 | | | RK73FB2A393J | CHIP R 39K J 1/10W | | |
| R38 | | | RK73FB2A333J | CHIP R 33K J 1/10W | | |
| R39 | | | RK73FB2A223J | CHIP R 22K J 1/10W | | |
| R40 | | | RK73FB2A332J | CHIP R 3.3K J 1/10W | | |
| R41 | | | RK73FB2A222J | CHIP R 2.2K J 1/10W | | |
| R42 | | | RK73FB2A473J | CHIP R 47K J 1/10W | | |
| R43 ,44 | | | RK73FB2A123J | CHIP R 12K J 1/10W | Q | |
| R43 ,44 | | | RK73FB2A223J | CHIP R 22K J 1/10W | TEE2 | |
| R47 ,48 | | | RK73FB2A392J | CHIP R 3.9K J 1/10W | | |
| R49 | | | RK73FB2A473J | CHIP R 47K J 1/10W | | |
| R51 | | | RK73FB2A102J | CHIP R 1.0K J 1/10W | | |
| R52 | | | RK73FB2A104J | CHIP R 100K J 1/10W | | |
| R53 | | | RK73FB2A102J | CHIP R 1.0K J 1/10W | | |
| R54 | | | RK73FB2A683J | CHIP R 68K J 1/10W | | |

L: Scandinavia K: USA P: Canada R: Mexico C: China I: Malaysia
 Y: PX(Far East, Hawaii) T: Europe E: Europe G: Germany V: China (Shanghai)
 Y: AAFES(Europe) X: Australia Q: Russia H: Korea M: Other Areas

△ indicates safety critical components.

* New Parts
 Parts without **Parts No.** are not supplied.
 Les articles non mentionnés dans le **Parts No.** ne sont pas fournis.
 Teile ohne **Parts No.** werden nicht geliefert.



| Ref. No | Address | New Parts | Parts No. | Description | Destination | Remarks |
|----------|---------|-----------|--------------|------------------------------|-------------|---------|
| R55 | | | RK73FB2A473J | CHIP R 47K J 1/10W | | |
| R56 | | | RK73FB2A104J | CHIP R 100K J 1/10W | | |
| R57 | | | RK73FB2A101J | CHIP R 100 J 1/10W | Q | |
| R59 | | | RK73FB2A222J | CHIP R 2.2K J 1/10W | | |
| R61 | | | RK73FB2A223J | CHIP R 22K J 1/10W | TQ | |
| R62 | | | RK73FB2A105J | CHIP R 1.0M J 1/10W | TQ | |
| R63 | | | RK73FB2A473J | CHIP R 47K J 1/10W | TQ | |
| R64 | | | RK73FB2A103J | CHIP R 10K J 1/10W | TQ | |
| R65 | | | RK73FB2A153J | CHIP R 15K J 1/10W | TQ | |
| R66 | | | RK73FB2A152J | CHIP R 1.5K J 1/10W | TQ | |
| R67 | | | RK73FB2A104J | CHIP R 100K J 1/10W | | |
| R68 | | | RK73FB2A222J | CHIP R 2.2K J 1/10W | TQ | |
| R70 | | | RK73FB2A105J | CHIP R 1.0M J 1/10W | TQ | |
| R80 | | | RK73EB2B102J | CHIP R 1.0K J 1/8W | | |
| R81 -83 | | | RK73FB2A102J | CHIP R 1.0K J 1/10W | | |
| R84 | | | RK73FB2A103J | CHIP R 10K J 1/10W | | |
| R85 -88 | | | RK73FB2A102J | CHIP R 1.0K J 1/10W | | |
| R89 | | | RD14NB2E101J | RD 100 J 1/4W | | |
| R90 | | | RK73FB2A562J | CHIP R 5.6K J 1/10W | | |
| R91 | | | RK73FB2A222J | CHIP R 2.2K J 1/10W | | |
| R92 | | | RK73FB2A123J | CHIP R 12K J 1/10W | | |
| R93 | | | RK73FB2A122J | CHIP R 1.2K J 1/10W | | |
| R94 | | | RD14NB2E561J | RD 560 J 1/4W | | |
| R101,102 | | | RK73FB2A102J | CHIP R 1.0K J 1/10W | | |
| R103 | | | RK73FB2A821J | CHIP R 820 J 1/10W | | |
| R104 | | | RK73FB2A473J | CHIP R 47K J 1/10W | | |
| R105 | | | RK73FB2A103J | CHIP R 10K J 1/10W | E2 | |
| R105 | | | RK73FB2A103J | CHIP R 10K J 1/10W | | |
| VR1 | | | R32-0036-05 | SEMI FIXED VARIABLE RESISTOR | | |
| W51 -55 | | | R92-0670-05 | CHIP R 0 OHM | EE2 | |
| W53 | | | R92-0670-05 | CHIP R 0 OHM | TQ | |
| W56 -58 | | | R92-0679-05 | CHIP R 0 OHM | | |
| W59 -61 | | | R92-0670-05 | CHIP R 0 OHM | TEE2 | |
| W59 ,60 | | | R92-0670-05 | CHIP R 0 OHM | Q | |
| W62 -67 | | | R92-0679-05 | CHIP R 0 OHM | | |
| W68 | | | R92-0670-05 | CHIP R 0 OHM | Q | |
| W69 -71 | | | R92-0679-05 | CHIP R 0 OHM | EE2 | |
| W69 -72 | | | R92-0679-05 | CHIP R 0 OHM | TQ | |
| W73 | | | R92-0670-05 | CHIP R 0 OHM | | |
| W74 | | | R92-0679-05 | CHIP R 0 OHM | Q | |
| W75 | | | R92-0670-05 | CHIP R 0 OHM | EE2 | |
| W75 -78 | | | R92-0670-05 | CHIP R 0 OHM | T | |
| W75 -80 | | | R92-0670-05 | CHIP R 0 OHM | Q | |
| W77 ,78 | | | R92-0670-05 | CHIP R 0 OHM | EE2 | |
| W80 | | | R92-0670-05 | CHIP R 0 OHM | | |
| W81 | | | R92-0679-05 | CHIP R 0 OHM | | |
| W82 | | | R92-0670-05 | CHIP R 0 OHM | | |
| W83 ,84 | | | R92-0679-05 | CHIP R 0 OHM | | |
| W85 | | | R92-0670-05 | CHIP R 0 OHM | | |
| D1 | | | HSS104 | DIODE | | |
| D1 | | | 1SS133 | DIODE | | |
| D31 | | | HZS8.2N(B2) | ZENER DIODE | | |
| D31 | | | MTZJ8.2(B) | ZENER DIODE | | |
| D32 | | | MA111 | DIODE | | |

L: Scandinavia K: USA P: Canada R: Mexico C: China I: Malaysia
 Y: PX(Far East, Hawaii) T: Europe E: Europe G: Germany V: China (Shanghai)
 Y: AAFES(Europe) X: Australia Q: Russia H: Korea M: Other Areas

△ indicates safety critical components.

PARTS LIST

RXD-501/551/571/A5/701/751/771/A8

* New Parts
 Parts without **Parts No.** are not supplied.
 Les articles non mentionnés dans le **Parts No.** ne sont pas fournis.
 Teile ohne **Parts No.** werden nicht geliefert.

17

| Ref. No | Add-ress | New Parts | Parts No. | Description | Desti-nation | Re-marks |
|---|----------|-----------|---------------|---------------------|--------------|----------|
| D33 | | | HSS104 | DIODE | | |
| D33 | | | 1S133 | DIODE | | |
| D61 ,62 | | | HSS104 | DIODE | | |
| D61 ,62 | | | 1S133 | DIODE | | |
| D81 | | | HZS5.1N(B2) | ZENER DIODE | | |
| D81 | | | MTZJ5.1(B) | ZENER DIODE | | |
| D101 | | | HZS3.3N(B2) | ZENER DIODE | | |
| D101 | | | MTZJ3.3(B) | ZENER DIODE | | |
| IC1 | | | LA1836 | ANALOGUE IC | | |
| IC2 | | | LC72131 | MOS-IC | | |
| IC3 | | | NJM2904M | IC(OP AMP X2) | | |
| Q1 ,2 | | | 2SC2714(R,O) | TRANSISTOR | | |
| Q3 | | | 2SA1576A(R,S) | TRANSISTOR | | |
| Q3 | | | 2SB1218A(Q,R) | TRANSISTOR | | |
| Q31 ,32 | | | 2SC4081(R,S) | TRANSISTOR | | |
| Q31 ,32 | | | 2SD1819A(Q,R) | TRANSISTOR | TQ | |
| Q61 ,62 | | | 2SC4081(R,S) | TRANSISTOR | TQ | |
| Q61 ,62 | | | 2SD1819A(Q,R) | TRANSISTOR | TQ | |
| Q63 | | | 2SC2878(B) | TRANSISTOR | TQ | |
| Q64 | | | 2SA1576A(R,S) | TRANSISTOR | TQ | |
| Q64 | | | 2SB1218A(Q,R) | TRANSISTOR | TQ | |
| Q65 | | | 2SK302(Y,GR) | FET | TQ | |
| Q81 | | | 2SA1576A(R,S) | TRANSISTOR | | |
| Q81 | | | 2SB1218A(Q,R) | TRANSISTOR | | |
| Q101,102 | | | 2SD2114K | TRANSISTOR | | |
| Q103 | | | 2SA1576A(R,S) | TRANSISTOR | | |
| Q103 | | | 2SB1218A(Q,R) | TRANSISTOR | | |
| A1 | | | W02-2640-05 | FM FRONT-END ASSY | TEE2 | |
| A1 | | | W02-2641-05 | FM FRONT-END ASSY | Q | |
| AUDIO UNIT (X09-494X-XX) : RXD-701/701E/701W/751/751E/751W/771S/A8 | | | | | | |
| C1 -5 | | | CC45FSL1H221J | CERAMIC 220PF J | M2E2 | |
| C1 -5 | | | CC45FSL1H221J | CERAMIC 220PF J | YMXTEQ | |
| C1 ,2 | | | CC45FSL1H221J | CERAMIC 220PF J | KP | |
| C5 | | | CC45FSL1H221J | CERAMIC 220PF J | KP | |
| C6 | | | CK45FB1H102K | CERAMIC 1000PF K | KP | |
| C7 | | | CF92FV1H224J | MF-C 0.22UF J | | |
| C9 | | | CE04KW1H2R2M | ELECTRO 2.2UF 50WV | | |
| C11 ,12 | | | CE04KW1C100M | ELECTRO 10UF 16WV | | |
| C13 -16 | | | CC45FSL1H101J | CERAMIC 100PF J | | |
| C17 ,18 | | | CE04KW1C100M | ELECTRO 10UF 16WV | | |
| C21 ,22 | | | CF92FV1H104J | MF-C 0.10UF J | | |
| C23 | | | CE04KW1C221M | ELECTRO 220UF 16WV | | |
| C24 ,25 | | | CF92FV1H104J | MF-C 0.10UF J | | |
| C26 | | | CE04KW1C221M | ELECTRO 220UF 16WV | | |
| C27 | | | CE04KW1C101M | ELECTRO 100UF 16WV | | |
| C28 | | | CE04KW1C100M | ELECTRO 10UF 16WV | | |
| C29 | | | CF92FV1H394J | MF-C 0.39UF J | | |
| C30 | | | CQ93FMG1H333J | MYLAR 0.033UF J | | |
| C31 | | | CE04KW1A101M | ELECTRO 100UF 10WV | | |
| C32 -34 | | | CE04KW1C100M | ELECTRO 10UF 16WV | | |
| C35 ,36 | | | CE04KW1H2R2M | ELECTRO 2.2UF 50WV | | |
| C37 ,38 | | | CE04KW1HR47M | ELECTRO 0.47UF 50WV | | |
| C39 | | | CK45FF1H472Z | CERAMIC 4700PF Z | | |
| C40 | | | CE04KW1HR47M | ELECTRO 0.47UF 50WV | | |

L : Scandinavia K : USA P : Canada R : Mexico C : China I : Malaysia
 Y : PX(Far East, Hawaii) T : Europe E : Europe G : Germany V : China (Shanghai)
 Y : AAFES(Europe) X : Australia Q : Russia H : Korea M : Other Areas

▲ indicates safety critical components.

* New Parts
 Parts without **Parts No.** are not supplied.
 Les articles non mentionnés dans le **Parts No.** ne sont pas fournis.
 Teile ohne **Parts No.** werden nicht geliefert.

18

| Ref. No | Add-ress | New Parts | Parts No. | Description | Desti-nation | Re-marks |
|----------|----------|-----------|---------------|---------------------|--------------|----------|
| C41 | | | CK45FF1H103Z | CERAMIC 0.010UF Z | | |
| C42 | | | CE04KW1V4R7M | ELECTRO 4.7UF 35WV | | |
| C43 ,44 | | | CE04KW1H3R3M | ELECTRO 3.3UF 50WV | | |
| C45 ,46 | | | CQ93FMG1H563J | MYLAR 0.056UF J | | |
| C47 ,48 | | | CE04KW1HR33M | ELECTRO 0.33UF 50WV | | |
| C49 ,50 | | | CQ93FMG1H153J | MYLAR 0.015UF J | | |
| C51 ,52 | | | CE04KW1H2R2M | ELECTRO 2.2UF 50WV | | |
| C53 ,54 | | | CQ93FMG1H682J | MYLAR 6800PF J | | |
| C55 ,56 | | | CQ93FMG1H153J | MYLAR 0.015UF J | | |
| C57 ,58 | | | CQ93FMG1H222J | MYLAR 2200PF J | | |
| C59 | | | CE04KW1H3R3M | ELECTRO 3.3UF 50WV | | |
| C61 | | | CE04KW1H3R3M | ELECTRO 3.3UF 50WV | | |
| C63 -68 | | | CE04KW1H3R3M | ELECTRO 3.3UF 50WV | | |
| C69 | | | CC45FSL1H221J | CERAMIC 220PF J | | |
| C70 | | | CE04HW1HR22M | NP-ELEC 0.22UF 50WV | | |
| C71 ,72 | | | CE04KW1C100M | ELECTRO 10UF 16WV | TEQE2 | |
| C73 ,74 | | | CC45FSL1H101J | CERAMIC 100PF J | | |
| C77 ,78 | | | CE04KW1C100M | ELECTRO 10UF 16WV | | |
| C79 | | | CK45FB1H102K | CERAMIC 1000PF K | | |
| C80 | | | CK45FF1H103Z | CERAMIC 0.010UF Z | | |
| C81 | | | CE04KW2A101M | ELECTRO 100UF 100WV | | |
| C82 ,83 | | | CE04KW1V470M | ELECTRO 47UF 35WV | | |
| C88 ,89 | | | C90-3790-05 | ELECTRO 4700UF 35WV | | |
| C90 ,91 | | | C90-3789-05 | ELECTRO 4700UF 75WV | | |
| C94 | | | CE04KW1C221M | ELECTRO 220UF 16WV | | |
| C95 | | | CE04KW1V4R7M | ELECTRO 4.7UF 35WV | | |
| C96 | | | CE04KW1A470M | ELECTRO 47UF 10WV | | |
| C97 | | | CE04KW1V4R7M | ELECTRO 4.7UF 35WV | | |
| C98 ,99 | | | CE04KW1C470M | ELECTRO 47UF 16WV | | |
| C100 | | | CK45FF1H103Z | CERAMIC 0.010UF Z | | |
| C101 | | | CE04KW1V4R7M | ELECTRO 4.7UF 35WV | | |
| C102 | | | CE04KW1A221M | ELECTRO 220UF 10WV | | |
| C103 | | | CE04KW1C220M | ELECTRO 22UF 16WV | | |
| C104 | | | CE04KW1H010M | ELECTRO 1.0UF 50WV | | |
| C106 | | | CE04KW1V4R7M | ELECTRO 4.7UF 35WV | | |
| C108,109 | | | CF92FV1H104J | MF-C 0.10UF J | | |
| C110 | | | CE04KW1C470M | ELECTRO 47UF 16WV | | |
| C111,112 | | | CE04KW1H010M | ELECTRO 1.0UF 50WV | | |
| C113 | | | CE04KW0J471M | ELECTRO 470UF 6.3WV | | |
| C114 | | | CK45FF1H103Z | CERAMIC 0.010UF Z | | |
| C119,120 | | | CE04KW1C100M | ELECTRO 10UF 16WV | | |
| C125,126 | | | CE04KW1V4R7M | ELECTRO 4.7UF 35WV | | |
| C128-130 | | | CE04KW1H0R1M | ELECTRO 0.1UF 50WV | | |
| C131 | | | CE04KW1C100M | ELECTRO 10UF 16WV | | |
| C139,140 | | | CE04KW1C100M | ELECTRO 10UF 16WV | | |
| C141 | | | CE04KW1V4R7M | ELECTRO 4.7UF 35WV | TEQE2 | |
| C142 | | | CC45FSL1H331J | CERAMIC 330PF J | TEQE2 | |
| C143 | | | CK45FB1H561K | CERAMIC 560PF K | TEQE2 | |
| C144 | | | CC45FCH1H470J | CERAMIC 47PF J | TEQE2 | |
| C145 | | | CC45FCH1H220J | CERAMIC 22PF J | TEQE2 | |
| C146 | | | CK45FF1H103Z | CERAMIC 0.010UF Z | TEQE2 | |
| C147 | | | CE04KW1A470M | ELECTRO 47UF 10WV | TEQE2 | |
| C148,149 | | | CK45FF1H103Z | CERAMIC 0.010UF Z | TEQE2 | |
| C151,152 | | | CC45FSL1H180J | CERAMIC 18PF J | | |
| C153 | | | CE04KW1C470M | ELECTRO 47UF 16WV | | |

L : Scandinavia K : USA P : Canada R : Mexico C : China I : Malaysia
 Y : PX(Far East, Hawaii) T : Europe E : Europe G : Germany V : China (Shanghai)
 Y : AAFES(Europe) X : Australia Q : Russia H : Korea M : Other Areas

▲ indicates safety critical components.

* New Parts
 Parts without **Parts No.** are not supplied.
 Les articles non mentionnés dans le **Parts No.** ne sont pas fournis.
 Teile ohne **Parts No.** werden nicht geliefert.

19

| Ref. No | Add-ress | New Parts | Parts No. | Description | Desti-nation | Re-marks |
|----------|----------|-----------|---------------|-----------------------------|--------------|----------|
| C154 | | | CE04KW1V100M | ELECTRO 10UF 35VV | | |
| C155 | | | CE04KW1V330M | ELECTRO 33UF 35VV | | |
| C159,160 | | | CC45FSL1H220J | CERAMIC 22PF J | TEQE2 | |
| C497,498 | | | CK45FB1H102K | CERAMIC 1000PF K | | |
| C500 | | | CK45FF1H103Z | CERAMIC 0.010UF Z | TEQE2 | |
| C501,502 | | | CQ93FMG1H563J | MYLAR 0.056UF J | | |
| C503,504 | | | CC45FSL1H470J | CERAMIC 47PF J | | |
| C505 | | | CE04KW1H2R2M | ELECTRO 2.2UF 50VV | | |
| C507 | | | CC45FSL1H470J | CERAMIC 47PF J | | |
| C509-511 | | | CC45FSL1H100D | CERAMIC 10PF D | | |
| C513-515 | | | CK45FF1H472Z | CERAMIC 4700PF Z | | |
| C517-519 | | | CF92FV1H224J | MF-C 0.22UF J | M2E2 | |
| C517,519 | | | CF92FV1H224J | MF-C 0.22UF J | YMXTEQ | |
| C517,518 | | | CF92FV1H104J | MF-C 0.10UF J | KP | |
| C521-523 | | | CF92FV1H224J | MF-C 0.22UF J | M2E2 | |
| C521-523 | | | CF92FV1H224J | MF-C 0.22UF J | YMXTEQ | |
| C523 | | | CF92FV1H104J | MF-C 0.10UF J | KP | |
| C525-528 | | | CK45FF1H472Z | CERAMIC 4700PF Z | | |
| C529,530 | | | CC45FSL1H101J | CERAMIC 100PF J | TEQE2 | |
| C531-533 | | | CE04KW1A101M | ELECTRO 100UF 10VV | | |
| C535-538 | | | CE04KW2A100M | ELECTRO 10UF 100VV | | |
| C539,540 | | | CE04KW1V470M | ELECTRO 47UF 35VV | | |
| CN5 | | | E40-3257-05 | PIN ASSY | | |
| CN6 | | | E40-3262-05 | PIN ASSY | | |
| CN7 | | | E40-3247-05 | PIN ASSY | | |
| CN11 | | * | E40-8053-05 | PIN ASSY | YMXM2 | |
| CN12 | | * | E40-8286-05 | FLAT CABLE CONNECTOR | | |
| CN13 | | | E40-3256-05 | PIN ASSY | | |
| CN14 | | | E40-8253-05 | FLAT CABLE CONNECTOR | | |
| CN15 | | | E40-3251-05 | PIN ASSY | | |
| CN19 | | * | E40-8120-05 | FLAT CABLE CONNECTOR | | |
| CN21 | | * | E40-8257-05 | FLAT CABLE CONNECTOR | | |
| CN22 | | | E40-4632-05 | PIN ASSY | | |
| CN24 | | * | E40-3256-05 | PIN ASSY | KP | |
| J1 | | | E63-1038-05 | PHONO JACK | | |
| J2 | | | E70-0048-05 | LOCK TERMINAL BOARD | | |
| J3 | | | E70-0045-05 | LOCK TERMINAL BOARD | M2E2 | |
| J3 | | * | E70-0045-05 | LOCK TERMINAL BOARD | YMXTEQ | |
| J5 | | * | E63-1037-05 | PHONO JACK | M2E2 | |
| J5 | | * | E63-1037-05 | PHONO JACK | YMXTEQ | |
| F1 | | | F20-1405-15 | INSULATING SHEET | | |
| F1 | | | F05-3121-05 | FUSE (SEMKO) (250V T3.15AL) | XTEQE2 | |
| F1 ,2 | | | F50-0074-05 | FUSE(5X20) | KP | |
| F3 | | | F05-3121-05 | FUSE (SEMKO) (250V T3.15AL) | YMXM2 | |
| F3 | | | F50-0062-05 | FUSE(5X20) | KP | |
| CN1 -4 | | | J13-0075-05 | FUSE CLIP | YMXM2 | |
| CN1 ,2 | | | J13-0075-05 | FUSE CLIP | E2 | |
| CN1 ,2 | | | J13-0075-05 | FUSE CLIP | KPXTEQ | |
| CN31,32 | | | J13-0075-05 | FUSE CLIP | KP | |
| E21 -24 | | | J11-0809-05 | WIRE CLAMPER | | |
| E26 ,27 | | | J11-0809-05 | WIRE CLAMPER | YMXM2 | |
| E27 | | | J11-0809-05 | WIRE CLAMPER | TEQE2 | |
| L1 | | | L40-1091-17 | SMALL FIXED INDUCTOR(1UH) | TEQE2 | |

L : Scandinavia K : USA P : Canada R : Mexico C : China I : Malaysia
 Y : PX(Far East, Hawaii) T : Europe E : Europe G : Germany V : China (Shanghai)
 Y : AAFES(Europe) X : Australia Q : Russia H : Korea M : Other Areas

Δ indicates safety critical components.

* New Parts
 Parts without **Parts No.** are not supplied.
 Les articles non mentionnés dans le **Parts No.** ne sont pas fournis.
 Teile ohne **Parts No.** werden nicht geliefert.

20

| Ref. No | Add-ress | New Parts | Parts No. | Description | Desti-nation | Re-marks |
|------------|----------|-----------|--------------|------------------------------|--------------|----------|
| L2 | | | L40-1001-17 | SMALL FIXED INDUCTOR(10UH,K) | TEQE2 | |
| L3 -5 | | | L39-1373-05 | PHASE COMPENSATION COIL | | |
| X1 | | | L78-0605-05 | RESONATOR (8.38MHZ) | | |
| X2 | | | L77-2173-05 | CRYSTAL RESONATOR(32.768KHZ) | | |
| X3 | | | L77-2002-05 | CRYSTAL RESONATOR(4.332MHZ) | TEQE2 | |
| Δ R3 | | | RD14NB2E680J | RD 68 J 1/4W | | |
| Δ R45 | | | RD14NB2E1R0J | RD 1 J 1/4W | | |
| Δ R46 | | | RD14NB2E472J | RD 4.7K J 1/4W | | |
| R48 | | | RD14NB2E8R2J | RD 8.2 J 1/4W | | |
| R56 | | | RD14NB2E332J | RD 3.3K J 1/4W | | |
| R63 | | | RD14NB2E102J | RD 1.0K J 1/4W | | |
| Δ R75 | | | RD14NB2E100J | RD 10 J 1/4W | | |
| R80 | | | RS14KB3A222J | FL-PROOF RS 2.2K J 1W | | |
| R96 | | | RS14KB3D332J | FL-PROOF RS 3.3K J 2W | | |
| Δ R118,119 | | | RD14NB2E1R0J | RD 1 J 1/4W | | |
| Δ R129,130 | | | RD14NB2E1R0J | RD 1 J 1/4W | | |
| Δ R131 | | | RD14BB2C100J | RD 10 J 1/6W | | |
| Δ R142 | | | RD14BB2C101J | RD 100 J 1/6W | | |
| Δ R187,188 | | | RS14KB3D3R3J | FL-PROOF RS 3.3 J 2W | | |
| R531,532 | | | R92-1866-05 | METALFILM 0.1 2W | | |
| R543,544 | | | RS14KB3D4R7J | FL-PROOF RS 4.7 J 2W | | |
| R551 | | | R92-1866-05 | METALFILM 0.1 2W | | |
| Δ R560 | | | RS14KB3D5R6J | FL-PROOF RS 5.6 J 2W | | |
| R563 | | | RS14KB3D4R7J | FL-PROOF RS 4.7 J 2W | | |
| Δ R565,566 | | | RD14NB2E221J | RD 220 J 1/4W | | |
| Δ R578 | | | RS14KB3D101J | FL-PROOF RS 100 J 2W | | |
| R583-585 | | | RD14NB2E4R7J | RD 4.7 J 1/4W | | |
| R598 | | | RS14KB3D101J | FL-PROOF RS 100 J 2W | | |
| Δ R599 | | * | R92-1844-05 | CARBON 3.3M J 1/2W | KP | |
| VR1 | | | R31-0096-05 | VARIABLE RESISTOR | | |
| Δ K1 ,2 | | * | S76-0060-05 | MAGNETIC RELAY | | |
| Δ K1 ,2 | | * | S76-0069-15 | MAGNETIC RELAY | | |
| K11 | | | S76-0076-05 | MAGNETIC RELAY | | |
| K12 | | | S76-0078-05 | MAGNETIC RELAY | | |
| K13 | | | S76-0076-05 | MAGNETIC RELAY | | |
| Δ S1 | | | S62-0001-05 | SLIDE SWITCH | YMXM2 | |
| S2 | | | S62-0055-05 | SLIDE SWITCH | M2E2 | |
| S2 | | | S62-0055-05 | SLIDE SWITCH | YMXTEQ | |
| D1 | | | HZS5.1N(B2) | ZENER DIODE | | |
| D1 | | | MTZJ5.1(B) | ZENER DIODE | | |
| D2 | | | HSS104A | DIODE | | |
| D2 | | | 1SS133 | DIODE | | |
| D3 | | | HZS5.1N(B2) | ZENER DIODE | | |
| D3 | | | MTZJ5.1(B) | ZENER DIODE | | |
| D4 | | | HZS3.9N(B2) | ZENER DIODE | | |
| D4 | | | MTZJ3.9(B) | ZENER DIODE | | |
| D5 -7 | | | HSS104A | DIODE | EQE2 | |
| D5 -7 | | | HSS104A | DIODE | KPYMXT | |
| D5 -7 | | | 1SS133 | DIODE | EQE2 | |
| D5 -7 | | | 1SS133 | DIODE | KPYMXT | |
| D5 -8 | | | HSS104A | DIODE | M2 | |
| D5 -8 | | | 1SS133 | DIODE | M2 | |
| D10 | | | HSS104A | DIODE | TEQE2 | |
| D10 | | | 1SS133 | DIODE | TEQE2 | |

L : Scandinavia K : USA P : Canada R : Mexico C : China I : Malaysia
 Y : PX(Far East, Hawaii) T : Europe E : Europe G : Germany V : China (Shanghai)
 Y : AAFES(Europe) X : Australia Q : Russia H : Korea M : Other Areas

Δ indicates safety critical components.

PARTS LIST

RXD-501/551/571/A5/701/751/771/A8

* New Parts

Parts without **Parts No.** are not supplied.
 Les articles non mentionnés dans le **Parts No.** ne sont pas fournis.
 Teile ohne **Parts No.** werden nicht geliefert.

21

| Ref. No | Add-ress | New Parts | Parts No. | Description | Desti-nation | Re-marks |
|----------|----------|-----------|----------------|---------------|--------------|----------|
| D12 -14 | | | HSS104A | DIODE | YMXQM2 | |
| D12-14 | | | 1SS133 | DIODE | YMXQM2 | |
| D12, .13 | | | HSS104A | DIODE | T | |
| D12, .13 | | | 1SS133 | DIODE | T | |
| D13 | | | HSS104A | DIODE | KP | |
| D13 | | | 1SS133 | DIODE | KP | |
| D13, .14 | | | HSS104A | DIODE | EE2 | |
| D13, .14 | | | 1SS133 | DIODE | EE2 | |
| D16 | | | HSS104A | DIODE | TEQE2 | |
| D16 | | | 1SS133 | DIODE | TEQE2 | |
| D17, .18 | | | S5688B | DIODE | | |
| D17, .18 | | | 1SR139-400 | DIODE | | |
| D19 | | | HZS16N(B2) | ZENER DIODE | | |
| D19 | | | MTZJ16(B) | ZENER DIODE | | |
| D20 | | | HZS18N(B2) | ZENER DIODE | | |
| D20 | | | MTZJ18(B) | ZENER DIODE | | |
| D21 | | | HSS104A | DIODE | | |
| D21 | | | 1SS133 | DIODE | | |
| D22, .23 | | | D4SBL20UF03 | DIODE | | |
| D24 -27 | | | S5688B | DIODE | | |
| D24 -27 | | | 1SR139-400 | DIODE | | |
| D28, .29 | | | HSS104A | DIODE | | |
| D28, .29 | | | 1SS133 | DIODE | | |
| D30 | | | HZS2,7N(B2) | ZENER DIODE | | |
| D30 | | | MTZJ2,7(B) | ZENER DIODE | | |
| D31 | | | HZS6,2N(B2) | ZENER DIODE | | |
| D31 | | | MTZJ6,2(B) | ZENER DIODE | | |
| D32 | | | HSS104A | DIODE | | |
| D32 | | | 1SS133 | DIODE | | |
| D33 | | | HZS5,6N(B2) | ZENER DIODE | | |
| D33 | | | MTZJ5,6(B) | ZENER DIODE | | |
| D34 | | | HZS5,1N(B2) | ZENER DIODE | | |
| D34 | | | MTZJ5,1(B) | ZENER DIODE | | |
| D35 | | | HZS5,6N(B2) | ZENER DIODE | | |
| D35 | | | MTZJ5,6(B) | ZENER DIODE | | |
| D36 | | | HZS20N(B2) | ZENER DIODE | | |
| D36 | | | MTZJ20(B) | ZENER DIODE | | |
| D37 -40 | | | HSS104A | DIODE | | |
| D37 -40 | | | 1SS133 | DIODE | | |
| D45 -49 | | | HSS104A | DIODE | | |
| D45 -49 | | | 1SS133 | DIODE | | |
| D509,510 | | | HZS8,2N(B2) | ZENER DIODE | | |
| D509,510 | | | MTZJ8,2(B) | ZENER DIODE | | |
| D511 | | | HSS104A | DIODE | | |
| D511 | | | 1SS133 | DIODE | | |
| D513 | | | HSS104A | DIODE | | |
| D513 | | | 1SS133 | DIODE | | |
| D515-517 | | | HSS104A | DIODE | | |
| D515-517 | | | 1SS133 | DIODE | | |
| IC1 | | | NJU7313AL | ANALOGUE IC | | |
| IC2, .3 | | | NJM4565D-D | IC(OP AMP X2) | | |
| IC4 | | | M62430FP | ANALOGUE IC | | |
| IC5 | | | S-806D-Z | ANALOGUE IC | | |
| IC9 | | * | BA3834SK | ANALOGUE IC | | |
| IC10 | | * | M38199MF-075FP | MI-COM IC | | |

L : Scandinavia K : USA P : Canada R : Mexico C : China I : Malaysia
 Y : PX(Far East, Hawaii) T : Europe E : Europe G : Germany V : China (Shanghai)
 Y : AAFES(Europe) X : Australia Q : Russia H : Korea M : Other Areas

Δ indicates safety critical components.

* New Parts

Parts without **Parts No.** are not supplied.
 Les articles non mentionnés dans le **Parts No.** ne sont pas fournis.
 Teile ohne **Parts No.** werden nicht geliefert.

22

| Ref. No | Add-ress | New Parts | Parts No. | Description | Desti-nation | Re-marks |
|---|----------|-----------|----------------|---------------|--------------|----------|
| IC10 | | * | M38199MF-078FP | MI-COM IC | | |
| IC11 | | | SAA6579 | ANALOGUE IC | | TEQE2 |
| IC11 | | | SAA6579/R | ANALOGUE IC | | TEQE2 |
| Δ IC12 | | * | TA79012SB | ANALOGUE IC | | |
| Δ IC13 | | * | TA7809SB | ANALOGUE IC | | |
| IC15 | | | TA78L012AP | ANALOGUE IC | | |
| IC16, .17 | | | NJM4565D-D | IC(OP AMP X2) | | |
| IC19 | | | NJM4565D-D | IC(OP AMP X2) | | |
| Δ IC21 | | | STK410-030D | HYBRID IC | | |
| Δ IC21 | | | STK410-030K | HYBRID IC | | |
| Q2 | | | 2SA1175(F,E) | TRANSISTOR | | |
| Q2 | | | 2SA933AS(Q,R) | TRANSISTOR | | |
| Q5 | | | 2SA992(F,E) | TRANSISTOR | | |
| Q6, .7 | | | 2SC1845(F,E) | TRANSISTOR | | |
| Q8, .9 | | | 2SA1175(F,E) | TRANSISTOR | | |
| Δ Q8, .9 | | * | 2SA933AS(Q,R) | TRANSISTOR | | |
| Δ Q10 | | | 2SB1417(Q,P) | TRANSISTOR | | |
| Δ Q10 | | | 2SB1640 | TRANSISTOR | | |
| Q11 | | | 2SA1175(F,E) | TRANSISTOR | | |
| Q11 | | | 2SA933AS(Q,R) | TRANSISTOR | | |
| Q12 | | | 2SC1740S(Q,R) | TRANSISTOR | | |
| Q12 | | | 2SC2785(F,E) | TRANSISTOR | | |
| Q13 | | | 2SD2137(Q,P) | TRANSISTOR | | |
| Q13 | | | 2SD2525 | TRANSISTOR | | |
| Δ Q14 | | | 2SB1417(Q,P) | TRANSISTOR | | |
| Δ Q14 | | | 2SB1640 | TRANSISTOR | | |
| Δ Q15 | | | 2SD2137(Q,P) | TRANSISTOR | | |
| Δ Q15 | | | 2SD2525 | TRANSISTOR | | |
| Q16 | | | 2SC2003(L,K) | TRANSISTOR | | |
| Δ Q17 | | | 2SB1624 | TRANSISTOR | | |
| Q18 | | | 2SC1740S(Q,R) | TRANSISTOR | | |
| Q18 | | | 2SC2785(F,E) | TRANSISTOR | | |
| Δ Q19 | | | 2SD2137(Q,P) | TRANSISTOR | | |
| Δ Q19 | | | 2SD2525 | TRANSISTOR | | |
| Δ Q20 -22 | | | 2SC1740S(Q,R) | TRANSISTOR | | |
| Δ Q20 -22 | | | 2SC2785(F,E) | TRANSISTOR | | |
| Δ Q23 | | | 2SD2137(Q,P) | TRANSISTOR | | |
| Δ Q23 | | | 2SD2525 | TRANSISTOR | | |
| Q25, .26 | | | 2SC2878(B) | TRANSISTOR | | |
| Q27 | | | 2SC1740S(Q,R) | TRANSISTOR | | |
| Q27 | | | 2SC2785(F,E) | TRANSISTOR | | |
| Q501-503 | | | 2SC2878(B) | TRANSISTOR | | |
| Q504 | | | 2SC1740S(Q,R) | TRANSISTOR | | M2E2 |
| Q504 | | | 2SC1740S(Q,R) | TRANSISTOR | | YMXTEQ |
| Q504 | | | 2SC2785(F,E) | TRANSISTOR | | M2E2 |
| Q504 | | | 2SC2785(F,E) | TRANSISTOR | | YMXTEQ |
| Q505-507 | | | 2SC2878(B) | TRANSISTOR | | |
| Q509-511 | | | 2SC1845(F,E) | TRANSISTOR | | |
| Q512 | | | 2SC1740S(Q,R) | TRANSISTOR | | |
| Q512 | | | 2SC2785(F,E) | TRANSISTOR | | |
| Q514 | | | 2SC1740S(Q,R) | TRANSISTOR | | |
| Q514 | | | 2SC2785(F,E) | TRANSISTOR | | |
| AUDIO UNIT (X09-600X-XX) : RXD-501/501E/501W/551/551E/551W/571S/A5 | | | | | | |
| C1 -5 | | | CC45FSL1H221J | CERAMIC | 220PF J | M2E2 |

L : Scandinavia K : USA P : Canada R : Mexico C : China I : Malaysia
 Y : PX(Far East, Hawaii) T : Europe E : Europe G : Germany V : China (Shanghai)
 Y : AAFES(Europe) X : Australia Q : Russia H : Korea M : Other Areas

Δ indicates safety critical components.

* New Parts
Parts without **Parts No.** are not supplied.
Les articles non mentionnés dans le **Parts No.** ne sont pas fournis.
Teile ohne **Parts No.** werden nicht geliefert.

25

| Ref. No | Add-ress | New Parts | Parts No. | Description | Desti-nation | Re-marks |
|------------|----------|-----------|--------------|------------------------------|--------------|----------|
| J5 | | * | E63-1037-05 | PHONO JACK | YMXTEQ | |
| - | | | F20-1405-15 | INSULATING SHEET | | |
| Δ F1 | | | F06-2021-05 | FUSE (SEMKO) (250V T2AL) | XTEQE2 | |
| Δ F1 | | | F50-0073-05 | FUSE(5X20) | KP | |
| Δ F1 ,2 | | | F06-2021-05 | FUSE (SEMKO) (250V T2AL) | YMM2 | |
| Δ F3 | | | F50-0062-05 | FUSE(5X20) | KP | |
| CN1 -4 | | | J13-0075-05 | FUSE CLIP | YMM2 | |
| CN1 ,2 | | | J13-0075-05 | FUSE CLIP | KPX | |
| CN1 ,2 | | | J13-0075-05 | FUSE CLIP | TEQE2 | |
| CN31,32 | | | J13-0075-05 | FUSE CLIP | KP | |
| E21 -24 | | | J11-0809-05 | WIRE CLAMPER | EQE2 | |
| E21 -27 | | | J11-0809-05 | WIRE CLAMPER | KPT | |
| | | | J11-0809-05 | WIRE CLAMPER | YMX | |
| L1 | | | L40-1091-17 | SMALL FIXED INDUCTOR(1UH) | TEQE2 | |
| L2 | | | L40-1001-17 | SMALL FIXED INDUCTOR(10UH,K) | TEQE2 | |
| L3 ,4 | | | L39-1373-05 | PHASE COMPENSATION COIL | | |
| X1 | | | L78-0605-05 | RESONATOR (8.38MHZ) | | |
| X2 | | | L77-2173-05 | CRYSTAL RESONATOR(32.768KHZ) | | |
| X3 | | | L77-2002-05 | CRYSTAL RESONATOR(4.332MHZ) | TEQE2 | |
| Δ R3 | | | RD14NB2E680J | RD 68 J 1/4W | | |
| Δ R45 | | | RD14NB2E1R0J | RD 1 J 1/4W | | |
| Δ R46 | | | RD14NB2E472J | RD 4.7K J 1/4W | | |
| Δ R48 | | | RD14NB2E8R2J | RD 8.2 J 1/4W | | |
| R56 | | | RD14NB2E332J | RD 3.3K J 1/4W | | |
| R63 | | | RD14NB2E102J | RD 1.0K J 1/4W | | |
| Δ R75 | | | RD14NB2E100J | RD 10 J 1/4W | | |
| R80 | | | RS14KB3A222J | FL-PROOF RS 2.2K J 1W | | |
| R96 | | | RS14KB3D332J | FL-PROOF RS 3.3K J 2W | | |
| Δ R118,119 | | | RD14NB2E1R0J | RD 1 J 1/4W | | |
| Δ R129,130 | | | RD14NB2E1R0J | RD 1 J 1/4W | | |
| Δ R131 | | | RD14BB2C100J | RD 10 J 1/6W | | |
| Δ R142 | | | RD14BB2C101J | RD 100 J 1/6W | | |
| Δ R187,188 | | | RS14KB3D4R7J | FL-PROOF RS 4.7 J 2W | | |
| R531,532 | | | R92-1866-05 | METALFILM 0.1 2W | | |
| R543,544 | | | RS14KB3D4R7J | FL-PROOF RS 4.7 J 2W | | |
| Δ R560 | | | RS14KB3A5R6J | FL-PROOF RS 5.6 J 1W | | |
| Δ R565,566 | | | RD14NB2E101J | RD 100 J 1/4W | EQE2 | |
| Δ R565,566 | | | RD14NB2E101J | RD 100 J 1/4W | KPT | |
| Δ R566 | | | RD14NB2E101J | RD 100 J 1/4W | YMXM2 | |
| Δ R578 | | | RS14KB3D470J | FL-PROOF RS 47 J 2W | | |
| R583,584 | | | RD14NB2E4R7J | RD 4.7 J 1/4W | | |
| R598 | | | RS14KB3D470J | FL-PROOF RS 47 J 2W | | |
| Δ R599 | | | R92-1844-05 | CARBON 3.3M J 1/2W | KP | |
| VR1 | | * | R31-0096-05 | VARIABLE RESISTOR | | |
| Δ K1 ,2 | | | S76-0060-05 | MAGNETIC RELAY | | |
| Δ K1 ,2 | | * | S76-0069-15 | MAGNETIC RELAY | | |
| K11 | | | S76-0076-05 | MAGNETIC RELAY | | |
| K13 | | | S76-0076-05 | MAGNETIC RELAY | | |
| Δ S1 | | | S62-0001-05 | SLIDE SWITCH | YMM2 | |
| S2 | | | S62-0055-05 | SLIDE SWITCH | TMXM2 | |
| D1 | | | HZS5.1N(B2) | ZENER DIODE | | |
| D1 | | | MTZJ5.1(B) | ZENER DIODE | | |

L : Scandinavia K : USA P : Canada R : Mexico C : China I : Malaysia
Y : PX(Far East, Hawaii) T : Europe E : Europe G : Germany V : China (Shanghai)
Y : AAFES(Europe) X : Australia Q : Russia H : Korea M : Other Areas

Δ indicates safety critical components.

* New Parts
Parts without **Parts No.** are not supplied.
Les articles non mentionnés dans le **Parts No.** ne sont pas fournis.
Teile ohne **Parts No.** werden nicht geliefert.

26

| Ref. No | Add-ress | New Parts | Parts No. | Description | Desti-nation | Re-marks |
|-----------|----------|-----------|-------------|-------------|--------------|----------|
| D2 | | | HSS104A | DIODE | | |
| D2 | | | 1SS133 | DIODE | | |
| D3 | | | HZS5.1N(B2) | ZENER DIODE | | |
| D3 | | | MTZJ5.1(B) | ZENER DIODE | | |
| D4 | | | HZS3.9N(B2) | ZENER DIODE | | |
| D4 | | | MTZJ3.9(B) | ZENER DIODE | | |
| D5 -7 | | | HSS104A | DIODE | | EQE2 |
| D5 -7 | | | HSS104A | DIODE | | KPYMXT |
| D5 -7 | | | 1SS133 | DIODE | | EQE2 |
| D5 -7 | | | 1SS133 | DIODE | | KPYMXT |
| D5 -8 | | | HSS104A | DIODE | | M2 |
| D5 -8 | | | 1SS133 | DIODE | | M2 |
| D10 -12 | | | HSS104A | DIODE | | TQ |
| D10 -12 | | | 1SS133 | DIODE | | TQ |
| D10 ,11 | | | HSS104A | DIODE | | EE2 |
| D10 ,11 | | | 1SS133 | DIODE | | EE2 |
| D11 | | | HSS104A | DIODE | | KP |
| D11 | | | 1SS133 | DIODE | | KP |
| D11 ,12 | | | HSS104A | DIODE | | YMXM2 |
| D11 ,12 | | | 1SS133 | DIODE | | YMXM2 |
| D14 | | | HSS104A | DIODE | | EQM2E2 |
| D14 | | | HSS104A | DIODE | | YMX |
| D14 | | | 1SS133 | DIODE | | EQM2E2 |
| D14 | | | 1SS133 | DIODE | | YMX |
| D16 | | | HSS104A | DIODE | | TEQE2 |
| D16 | | | 1SS133 | DIODE | | TEQE2 |
| D17 ,18 | | | S5688B | DIODE | | |
| D17 ,18 | | | 1SR139-400 | DIODE | | |
| D19 | | | HZS16N(B2) | ZENER DIODE | | |
| D19 | | | MTZJ16(B) | ZENER DIODE | | |
| D20 | | | HZS18N(B2) | ZENER DIODE | | |
| D20 | | | MTZJ18(B) | ZENER DIODE | | |
| D21 | | | HSS104A | DIODE | | |
| D21 | | | 1SS133 | DIODE | | |
| Δ D22 ,23 | | | D4SBL20UF03 | DIODE | | |
| Δ D24 -27 | | | S5688B | DIODE | | |
| Δ D24 -27 | | | 1SR139-400 | DIODE | | |
| Δ D28 ,29 | | | HSS104A | DIODE | | |
| Δ D28 ,29 | | | 1SS133 | DIODE | | |
| D30 | | | HZS2.7N(B2) | ZENER DIODE | | |
| D30 | | | MTZJ2.7(B) | ZENER DIODE | | |
| D31 | | | HZS6.2N(B2) | ZENER DIODE | | |
| D31 | | | MTZJ6.2(B) | ZENER DIODE | | |
| D32 | | | HSS104A | DIODE | | |
| Δ D32 | | | 1SS133 | DIODE | | |
| D33 | | | HZS5.6N(B2) | ZENER DIODE | | |
| D33 | | | MTZJ5.6(B) | ZENER DIODE | | |
| D34 | | | HZS5.1N(B2) | ZENER DIODE | | |
| D34 | | | MTZJ5.1(B) | ZENER DIODE | | |
| D35 | | | HZS5.6N(B2) | ZENER DIODE | | |
| D35 | | | MTZJ5.6(B) | ZENER DIODE | | |
| D36 | | | HZS20N(B2) | ZENER DIODE | | |
| D36 | | | MTZJ20(B) | ZENER DIODE | | |
| D37 -40 | | | HSS104A | DIODE | | |
| D37 -40 | | | 1SS133 | DIODE | | |

L : Scandinavia K : USA P : Canada R : Mexico C : China I : Malaysia
Y : PX(Far East, Hawaii) T : Europe E : Europe G : Germany V : China (Shanghai)
Y : AAFES(Europe) X : Australia Q : Russia H : Korea M : Other Areas

Δ indicates safety critical components.

PARTS LIST

RXD-501/551/571/A5/701/751/771/A8

* New Parts
Parts without **Parts No.** are not supplied.
Les articles non mentionnés dans le **Parts No.** ne sont pas fournis.
Teile ohne **Parts No.** werden nicht geliefert.

27

| Ref. No | Add-ress | New Parts | Parts No. | Description | Desti-nation | Re-marks |
|----------|----------|-----------|----------------|---------------|--------------|----------|
| D45 -49 | | | HSS104A | DIODE | | |
| D45 -49 | | | 1SS133 | DIODE | | |
| D511 | | | HSS104A | DIODE | | |
| D511 | | | 1SS133 | DIODE | | |
| D513 | | | HSS104A | DIODE | | |
| D513 | | | 1SS133 | DIODE | | |
| D515,516 | | | HSS104A | DIODE | | |
| D515,516 | | | 1SS133 | DIODE | | |
| IC1 | | | NJU7313AL | ANALOGUE IC | | |
| IC2 ,3 | | | NJM4565D-D | IC(OP AMP X2) | | |
| IC4 | | | M62430FP | ANALOGUE IC | | |
| IC5 | | | S-806D-Z | ANALOGUE IC | | |
| IC9 | | * | BA3834SK | ANALOGUE IC | | |
| IC10 | | * | M38199MF-075FP | MI-COM IC | | |
| IC10 | | * | M38199MF-078FP | MI-COM IC | | |
| IC11 | | | SAA6579 | ANALOGUE IC | TEQE2 | |
| IC11 | | | SAA6579/R | ANALOGUE IC | TEQE2 | |
| IC12 | | * | TA79012SB | ANALOGUE IC | | |
| IC13 | | * | TA7809SB | ANALOGUE IC | | |
| IC15 | | | TA78L012AP | ANALOGUE IC | | |
| IC19 | | | NJM4565D-D | IC(OP AMP X2) | | |
| IC21 | | * | STK407-710K | HYBRID IC | | |
| Q1 | | | 2SB1624 | TRANSISTOR | YMXM2 | |
| Q2 | | | 2SA1175(F,E) | TRANSISTOR | | |
| Q2 | | | 2SA933AS(Q,R) | TRANSISTOR | | |
| Q5 | | | 2SA992(F,E) | TRANSISTOR | | |
| Q6 ,7 | | | 2SC1845(F,E) | TRANSISTOR | | |
| Q8 ,9 | | | 2SA1175(F,E) | TRANSISTOR | | |
| Q8 ,9 | | | 2SA933AS(Q,R) | TRANSISTOR | | |
| Q10 | | * | 2SB1417(Q,P) | TRANSISTOR | | |
| Q10 | | | 2SB1640 | TRANSISTOR | | |
| Q11 | | | 2SA1175(F,E) | TRANSISTOR | | |
| Q11 | | | 2SA933AS(Q,R) | TRANSISTOR | | |
| Q12 | | | 2SC1740S(Q,R) | TRANSISTOR | | |
| Q12 | | | 2SC2785(F,E) | TRANSISTOR | | |
| Q13 | | | 2SD2137(Q,P) | TRANSISTOR | | |
| Q13 | | | 2SD2525 | TRANSISTOR | | |
| Q14 | | * | 2SB1417(Q,P) | TRANSISTOR | | |
| Q14 | | | 2SB1640 | TRANSISTOR | | |
| Q15 | | | 2SD2137(Q,P) | TRANSISTOR | | |
| Q15 | | | 2SD2525 | TRANSISTOR | | |
| Q16 | | | 2SC2003(L,K) | TRANSISTOR | | |
| Q17 | | | 2SB1624 | TRANSISTOR | EQE2 | |
| Q17 | | | 2SB1624 | TRANSISTOR | KPT | |
| Q18 | | | 2SC1740S(Q,R) | TRANSISTOR | | |
| Q18 | | | 2SC2785(F,E) | TRANSISTOR | | |
| Q19 | | | 2SD2137(Q,P) | TRANSISTOR | | |
| Q19 | | | 2SD2525 | TRANSISTOR | | |
| Q20 -22 | | | 2SC1740S(Q,R) | TRANSISTOR | | |
| Q20 -22 | | | 2SC2785(F,E) | TRANSISTOR | | |
| Q23 | | | 2SD2137(Q,P) | TRANSISTOR | EQE2 | |
| Q23 | | | 2SD2137(Q,P) | TRANSISTOR | KPT | |
| Q23 | | | 2SD2525 | TRANSISTOR | EQE2 | |
| Q23 | | | 2SD2525 | TRANSISTOR | KPT | |
| Q23 ,24 | | | 2SD2137(Q,P) | TRANSISTOR | YMXM2 | |

L : Scandinavia K : USA P : Canada R : Mexico C : China I : Malaysia
Y : PX(Far East, Hawaii) T : Europe E : Europe G : Germany V : China (Shanghai)
Y : AAFES(Europe) X : Australia Q : Russia H : Korea M : Other Areas

Δ indicates safety critical components.

* New Parts
Parts without **Parts No.** are not supplied.
Les articles non mentionnés dans le **Parts No.** ne sont pas fournis.
Teile ohne **Parts No.** werden nicht geliefert.

28

| Ref. No | Add-ress | New Parts | Parts No. | Description | Desti-nation | Re-marks |
|-----------------------------------|----------|-----------|---------------|------------------------------|--------------|----------|
| Q23 ,24 | | | 2SD2525 | TRANSISTOR | YMXM2 | |
| Q25 ,26 | | | 2SC2878(B) | TRANSISTOR | | |
| Q27 | | | 2SC1740S(Q,R) | TRANSISTOR | | |
| Q27 | | | 2SC2785(F,E) | TRANSISTOR | | |
| Q501,502 | | | 2SC2878(B) | TRANSISTOR | | |
| Q505,506 | | | 2SC2878(B) | TRANSISTOR | | |
| Q509,510 | | | 2SC1845(F,E) | TRANSISTOR | | |
| Q512 | | | 2SC1740S(Q,R) | TRANSISTOR | | |
| Q512 | | | 2SC2785(F,E) | TRANSISTOR | | |
| Q514 | | | 2SC1740S(Q,R) | TRANSISTOR | | |
| Q514 | | | 2SC2785(F,E) | TRANSISTOR | | |
| DISPLAY UNIT (X14-474X-XX) | | | | | | |
| D20 ,21 | | | B30-2468-05 | LED | EQE2 | |
| D20 ,21 | | | B30-2468-05 | LED | KPT | |
| D20 ,21 | | | B30-2508-05 | LED(AMBER,D=3,P=2) | YMXM2 | |
| D30 -37 | | | B30-2468-05 | LED | EQE2 | |
| D30 -37 | | | B30-2508-05 | LED(AMBER,D=3,P=2) | YMXM2 | |
| C1 ,2 | | | CE04LW1H010M | ELECTRO | 1.0UF | 50WV |
| C3 | | | CE04LW0J221M | ELECTRO | 220UF | 6.3WV |
| C4 | | | CK45FF1H103Z | CERAMIC | 0.010UF | Z |
| C5 | | | CE04LW1V330M | ELECTRO | 33UF | 35WV |
| C6 | | | CK45FF1H103Z | CERAMIC | 0.010UF | Z |
| C7 | | | CE04LW1A470M | ELECTRO | 47UF | 10WV |
| C8 ,9 | | | C91-0757-05 | CERAMIC | 1000PF | K |
| C20 ,21 | | | C91-0757-05 | CERAMIC | 1000PF | K |
| C22 | | | CE04LW1H4R7M | ELECTRO | 4.7UF | 50WV |
| C24 ,25 | | | CK45FF1H103Z | CERAMIC | 0.010UF | Z |
| C51 -53 | | | CK45FF1H103Z | CERAMIC | 0.010UF | Z |
| C101,102 | | | CE04LW1V220M | ELECTRO | 22UF | 35WV |
| C103,104 | | | CC45FSL1H331J | CERAMIC | 330PF | J |
| C105 | | | CK45FF1H103Z | CERAMIC | 0.010UF | Z |
| C106 | | | CQ93FMG1H153J | MYLAR | 0.015UF | J |
| C107 | | | CE04LW1V4R7M | ELECTRO | 4.7UF | 35WV |
| C108 | | | CK45FB1H102K | CERAMIC | 1000PF | K |
| C109 | | | CE04LW1H010M | ELECTRO | 1.0UF | 50WV |
| C110 | | | CC45FSL1H101J | CERAMIC | 100PF | J |
| C111 | | | CE04LW1C470M | ELECTRO | 47UF | 16WV |
| C125 | | | CE04LW1C470M | ELECTRO | 47UF | 16WV |
| CN1 | | | E40-4725-05 | FLAT CABLE CONNECTOR | | |
| CN2 | | | E40-8267-05 | FLAT CABLE CONNECTOR | | |
| CN2 | | | E40-8268-05 | FLAT CABLE CONNECTOR | YMXM2 | 5 |
| CN3 | | | E40-8287-05 | FLAT CABLE CONNECTOR | | |
| CN5 | | | E40-4721-05 | FLAT CABLE CONNECTOR | | 5 |
| CN5 | | * | E40-4723-05 | FLAT CABLE CONNECTOR | | 7 |
| J1 ,2 | | | E11-0169-05 | PHONE JACK | YMXM2 | |
| J3 | | | E11-0280-05 | PHONE JACK | | |
| - | | | J19-5756-03 | HOLDER | | |
| L1 | | | L40-1001-17 | SMALL FIXED INDUCTOR(10UH,K) | | |
| X1 | | | L78-0284-05 | RESONATOR (5MHZ) | | |
| CP1 | | * | R90-0977-05 | MULTIPLE RESISTOR | | |
| CP2 | | | R90-0908-05 | MULTI-COMP | 47KX10 | |
| CP3 | | | R90-0804-05 | MULTI-COMP | 47KX8 | J 1/4W |

L : Scandinavia K : USA P : Canada R : Mexico C : China I : Malaysia
Y : PX(Far East, Hawaii) T : Europe E : Europe G : Germany V : China (Shanghai) 5: RXD-501/501E/501W/551/551E/551W/571S/A5
Y : AAFES(Europe) X : Australia Q : Russia H : Korea M : Other Areas 7: RXD-701/701E/701W/751/751E/751W/771S/A8

Δ indicates safety critical components.

PARTS LIST

RXD-501/551/571/A5/701/751/771/A8

* New Parts
Parts without **Parts No.** are not supplied.
Les articles non mentionnés dans le **Parts No.** ne sont pas fournis.
Teile ohne **Parts No.** werden nicht geliefert.

29

| Ref. No | Add-ress | New Parts | Parts No. | Description | Desti-nation | Re-marks |
|---|----------|-----------|--|--|-----------------------------|-------------------------|
| CP4 R23 R151,152 VR1 | | * | R90-0819-05 RD14NB2E100J RS14KB3D471J R31-0097-05 | MULTI-COMP 47KX6 RD 10 FL-PROOF RS 470 VARIABLE RESISTOR | J 1/6W J 1/4W J 2W | YMXM2 |
| S2 S11 S13 -44 | | | S70-0031-05 S70-0031-05 S70-0031-05 | TACT SWITCH TACT SWITCH TACT SWITCH | | |
| S1 S45 | | | T99-0559-05 T99-0530-05 | ROTARY ENCODER ROTARY ENCODER | | |
| D1 D1 D2 D3 ,4 D3 ,4 | | | HZS6.8N(B) MTZJ6.8 S5688B HSS104A 1SS133 | ZENER DIODE ZENER DIODE DIODE DIODE DIODE | | |
| D5 D5 D101,102 D101,102 D103-106 | | | HZS6.8N(B) MTZJ6.8 HSS104A 1SS133 HZS5.6N(B) | ZENER DIODE ZENER DIODE DIODE DIODE ZENER DIODE | | YMXM2 YMXM2 YMXM2 |
| D103-106 ED1 IC1 IC101 Q1 -8 | | * | MTZJ5.6 BJ594GK UPD780204-038 NJM4565D-D KTC3199(Y,GR) | ZENER DIODE INDICATOR TUBE MI-COM IC IC(OP AMP X2) TRANSISTOR | | YMXM2 YMXM2 |
| Q1 -8 Q9 Q10 ,11 Q10 ,11 Q12 | | * | 2SC1740S(Q,R) 2SC2003(L,K) KTA1267(Y,GR) 2SA933AS(Q,R) KTC3199(Y,GR) | TRANSISTOR TRANSISTOR TRANSISTOR TRANSISTOR TRANSISTOR | | |
| Q12 Q23 -28 Q23 -28 | | * | 2SC1740S(Q,R) KTC3199(Y,GR) 2SC1740S(Q,R) | TRANSISTOR TRANSISTOR TRANSISTOR | | |
| A1 | | | W02-2561-05 | ELECTRIC CIRCUIT MODULE | | |
| CASSETTE MECHANISM UNIT (X28-2960-10) | | | | | | |
| C1 ,2 C3 ,4 C5 ,6 C7 ,8 C9 ,10 | | | CK45FB1H561K CE04LW1C100M CK45FB1H391K CE04LW1C220M CQ93FMG1H223J | CERAMIC 560PF ELECTRO 10UF CERAMIC 390PF ELECTRO 22UF MYLAR 0.022UF | K 16WV K 16WV J | |
| C11 ,12 C15 ,16 C17 ,18 C19 ,20 C21 ,22 | | | CK45FB1H332K CE04LW1H010M CK45FB1H471K CE04LW1C100M CK45FB1H391K | CERAMIC 3300PF ELECTRO 1.0UF CERAMIC 470PF ELECTRO 10UF CERAMIC 390PF | K 50WV K 16WV K | |
| C23 ,24 C25 ,26 C27 ,28 C29 ,30 C31 ,32 | | | CE04LW1C220M CQ93FMG1H223J CK45FB1H332K CE04LW1H010M CK45FB1H682K | ELECTRO 22UF MYLAR 0.022UF CERAMIC 3300PF ELECTRO 1.0UF CERAMIC 6800PF | 16WV J K 50WV K | |
| C33 ,34 C35 ,36 C37 ,38 C39 ,40 | | | CK45FB1H102K CE04LW1HR47M CE04LW1H2R2M CE04LW1H0R1M | CERAMIC 1000PF ELECTRO 0.47UF ELECTRO 2.2UF ELECTRO 0.1UF | K 50WV 50WV 50WV | |

L: Scandinavia K: USA P: Canada R: Mexico C: China I: Malaysia
Y: PX(Far East, Hawaii) T: Europe E: Europe G: Germany V: China (Shanghai)
Y: AAFES(Europe) X: Australia Q: Russia H: Korea M: Other Areas

△ indicates safety critical components.

* New Parts
Parts without **Parts No.** are not supplied.
Les articles non mentionnés dans le **Parts No.** ne sont pas fournis.
Teile ohne **Parts No.** werden nicht geliefert.

30

| Ref. No | Add-ress | New Parts | Parts No. | Description | Desti-nation | Re-marks |
|---|----------|-----------|--|--|-----------------------------------|----------|
| C41 ,42 C43 ,44 C45 ,46 C47 ,48 C49 -52 | | | CE04LW1C100M CE04LW1H2R2M CE04LW1HR47M CE04LW1H2R2M CC45FSL1H221J | ELECTRO 10UF ELECTRO 2.2UF ELECTRO 0.47UF ELECTRO 2.2UF CERAMIC 220PF | 16WV 50WV 50WV 50WV J | |
| C53 ,54 C55 C56 C57 C58 | | | CQ93FMG1H472J CE04LW1H010M CQ93FMG1H103J CE04LW1H0R1M CE04LW1C101M | MYLAR 4700PF ELECTRO 1.0UF MYLAR 0.010UF ELECTRO 0.1UF ELECTRO 100UF | J 50WV J 50WV 16WV | |
| C59 ,60 C61 ,62 C63 C64 C65 | | | CE04LW1C220M CE04LW1C101M CE04LW1V4R7M CQ93FMG1H472J CQ93FMG1H103J | ELECTRO 22UF ELECTRO 100UF ELECTRO 4.7UF MYLAR 4700PF MYLAR 0.010UF | 16WV 16WV 35WV J J | |
| C66 C67 C68 C69 C70 ,71 | | | CQ93FMG1H472J CQ93HP2A103J CK45FB2H471K CE04LW1H010M CE04LW1C100M | MYLAR 4700PF MYLAR 0.010UF CERAMIC 470PF ELECTRO 1.0UF ELECTRO 10UF | J J K 50WV 16WV | |
| C74 C75 ,76 | | | CK45FB1H471K CK45FF1H103Z | CERAMIC 470PF CERAMIC 0.010UF | K Z | |
| CN1 CN2 CN3 ,4 CN5 CN6 | | * | E40-3247-05 E40-3250-05 E40-8257-05 E40-8253-05 E40-4977-05 | PIN ASSY PIN ASSY FLAT CABLE CONNECTOR FLAT CABLE CONNECTOR PIN ASSY | | |
| E2 | | | J11-0809-05 | WIRE CLAMPER | | |
| L1 ,2 L5 ,6 L7 | | | L79-1242-05 L40-1035-29 L32-0592-05 | LC FILTER SMALL FIXED INDUCTOR(10MH, J) BIAS OSCILATING COIL | | |
| △ R43 △ R53 △ R62 VR1 ,2 VR3 ,4 | | | RD14NB2E100J RD14NB2E100J RD14NB2E101J R32-0030-05 R32-0041-05 | RD 10 RD 10 RD 100 SEMI FIXED VARIABLE RESISTOR SEMI FIXED VARIABLE RESISTOR | J 1/4W J 1/4W J 1/4W | |
| VR5 ,6 VR7 ,8 | | | R32-0036-05 R32-0030-05 | SEMI FIXED VARIABLE RESISTOR SEMI FIXED VARIABLE RESISTOR | | |
| D1 -4 D1 -4 D5 D5 IC1 | | | HSS104A 1SS133 HZS2.7N(B2) MTZJ2.7(B) HA12209F | DIODE DIODE ZENER DIODE ZENER DIODE ANALOGUE IC | | |
| IC2 ,3 IC4 IC5 IC6 Q1 -4 | | | BA328 BA3126N BA10393 TC74HC166AP 2SC3246 | IC ANALOGUE IC ANALOGUE IC IC(8BIT SHIFT REGISTER) TRANSISTOR | | |
| △ Q5 Q7 ,8 Q7 ,8 Q9 Q9 | | | 2SC2003(L,K) 2SC1740S(Q,R) 2SC2785(F,E) DTA124ESA UN4112 | TRANSISTOR TRANSISTOR TRANSISTOR DIGITAL TRANSISTOR DIGITAL TRANSISTOR | | |

L: Scandinavia K: USA P: Canada R: Mexico C: China I: Malaysia
Y: PX(Far East, Hawaii) T: Europe E: Europe G: Germany V: China (Shanghai)
Y: AAFES(Europe) X: Australia Q: Russia H: Korea M: Other Areas

△ indicates safety critical components.

* New Parts
 Parts without **Parts No.** are not supplied.
 Les articles non mentionnés dans le **Parts No.** ne sont pas fournis.
 Teile ohne **Parts No.** werden nicht geliefert.



| Ref. No | Add-ress | New Parts | Parts No. | Description | Desti-nation | Re-marks |
|--|----------|-----------|---------------|----------------------|--------------|----------|
| Q10 ,11 | | | 2SC1845(F,E) | TRANSISTOR | | |
| Q12 | | | DTC124ESA | DIGITAL TRANSISTOR | | |
| Q12 | | | UN4212 | DIGITAL TRANSISTOR | | |
| CD MECHANISM UNIT (X32-359X-XX) | | | | | | |
| C1 | | | CE04KW1A101M | ELECTRO | 100UF | 10WV |
| C2 | | | CE04KW0J331M | ELECTRO | 330UF | 6.3WV |
| C3 | | | CE04KW1A101M | ELECTRO | 100UF | 10WV |
| C4 | | | CC45FCH1H680J | CERAMIC | 68PF | J |
| C5 | | | CF92FV1H474J | MF-C | 0.47UF | J |
| C6 | | | CK45FF1H103Z | CERAMIC | 0.010UF | Z |
| C7 | | | CQ93FMG1H332J | MYLAR | 3300PF | J |
| C8 | | | CQ93FMG1H152J | MYLAR | 1500PF | J |
| C9 | | | CQ93FMG1H473J | MYLAR | 0.047UF | J |
| C10 | | | CK45FF1H103Z | CERAMIC | 0.010UF | Z |
| C11 | | | CE04KW0J331M | ELECTRO | 330UF | 6.3WV |
| C12 | | | CK45FF1H103Z | CERAMIC | 0.010UF | Z |
| C13 | | | CE04KW0J331M | ELECTRO | 330UF | 6.3WV |
| C14 | | | CF92FV1H104J | MF-C | 0.10UF | J |
| C15 | | | CE04KW1A101M | ELECTRO | 100UF | 10WV |
| C16 | | | CK45FB1H471K | CERAMIC | 470PF | K |
| C17 | | | CE04HW1E4R7M | NP-ELEC | 4.7UF | 25WV |
| C18 | | | CC45FSL1H221J | CERAMIC | 220PF | J |
| C19 ,20 | | | CC45FSL1H101J | CERAMIC | 100PF | J |
| C21 | | | CE04KW1A101M | ELECTRO | 100UF | 10WV |
| C22 | | | CQ93FMG1H333J | MYLAR | 0.033UF | J |
| C23 ,24 | | | CC45FCH1H560J | CERAMIC | 56PF | J |
| C23 ,24 | | | CC45FCH1H560J | CERAMIC | 56PF | J |
| C25 | | | CC45FCH1H100D | CERAMIC | 10PF | D |
| C25 | | | CC45FCH1H100D | CERAMIC | 10PF | D |
| C30 | | | CF92FV1H224J | MF-C | 0.22UF | J |
| C31 ,32 | | | CQ93FMG1H102J | MYLAR | 1000PF | J |
| C37 ,38 | | | CQ93FMG1H222J | MYLAR | 2200PF | J |
| C37 ,38 | | | CQ93FMG1H222J | MYLAR | 2200PF | J |
| C39 ,40 | | | CQ93FMG1H391K | MYLAR | 390PF | K |
| C41 ,42 | | | CQ93FMG1H103J | MYLAR | 0.010UF | J |
| C43 ,44 | | | CE04KW1H2R2M | ELECTRO | 2.2UF | 50WV |
| C45 -47 | | | CK45FF1H103Z | CERAMIC | 0.010UF | Z |
| C48 | | | CK45FB1H102K | CERAMIC | 1000PF | K |
| C49 | | | CC45FSL1H151J | CERAMIC | 150PF | J |
| C50 | | | CK45FB1H681K | CERAMIC | 680PF | K |
| C51 | | | CE04KW1H100M | ELECTRO | 10UF | 50WV |
| C51 | | | CE04KW1H100M | ELECTRO | 10UF | 50WV |
| C62 | | | CE04KW1A101M | ELECTRO | 100UF | 10WV |
| C63 ,64 | | | CE04HW1H010M | NP-ELEC | 1.0UF | 50WV |
| CN1 | | | E40-8151-05 | FLAT CABLE CONNECTOR | | |
| CN2 | | | E40-4377-05 | PIN ASSY | | |
| CN3 | | | E40-4763-05 | PIN ASSY | | |
| CN4 | | | E40-3247-05 | PIN ASSY | | |
| CN5 | | | E40-4762-05 | PIN ASSY | | |
| CN6 | | * | E40-8255-05 | FLAT CABLE CONNECTOR | | |
| CN7 | | | E40-4979-05 | PIN ASSY | | |
| E2 -6 | | | J11-0809-05 | WIRE CLAMPER | | |

L : Scandinavia K : USA P : Canada R : Mexico C : China I : Malaysia
 Y : PX(Far East, Hawaii) T : Europe E : Europe G : Germany V : China (Shanghai)
 Y : AAFES(Europe) X : Australia Q : Russia H : Korea M : Other Areas

Δ indicates safety critical components.

* New Parts
 Parts without **Parts No.** are not supplied.
 Les articles non mentionnés dans le **Parts No.** ne sont pas fournis.
 Teile ohne **Parts No.** werden nicht geliefert.



| Ref. No | Add-ress | New Parts | Parts No. | Description | Desti-nation | Re-marks |
|--|----------|-----------|-------------|-------------------------------|--------------|----------|
| L1 | | | L40-1001-17 | SMALL FIXED INDUCTOR(10UH,K) | | |
| X1 | | | L77-2190-05 | CRYSTAL RESONATOR(16.9344MHZ) | | |
| X1 | | | L77-2190-05 | CRYSTAL RESONATOR(16.9344MHZ) | | |
| X1 | | | L78-0299-05 | RESONATOR (16.93M) | | |
| VR1 | | | R12-3101-05 | TRIMMING POT. | | |
| D1 -6 | | | HSS104A | DIODE | | M2E2 |
| D1 -6 | | | 1SS133 | DIODE | | YMXT EQ |
| IC1 | | | CXA1571M | ANALOGUE IC | | KP |
| IC2 | | | CXD2587Q | MOS-IC | | |
| IC3 | | | BA5979S | ANALOGUE IC | | |
| IC4 ,5 | | | TA8409S | MOS-IC | | |
| Q1 | | | 2SA954(L,K) | TRANSISTOR | | |
| Q6 ,7 | | | DTC124ESA | DIGITAL TRANSISTOR | | |
| Q6 ,7 | | | UN4212 | DIGITAL TRANSISTOR | | |
| Q8 | | | 2SB764(E,F) | TRANSISTOR | | |
| A1 | | | W02-1114-05 | OSCILLATING MODULE | E | |
| CD MECHANISM UNIT (D40-1590-08) | | | | | | |
| 101 | 3B | | A10-3119-08 | CHASIS (MAIN) | | |
| 102 | 3A | | A15-0089-08 | FRAME (MD-B) | | |
| 105 | 2A | | D10-3538-08 | SLIDER (LIFT) | | |
| 107 | 2B | | D10-3459-08 | LEVER (LOCK) | | |
| 108 | 2A | | D10-3638-08 | LEVER (BRAKE) | | |
| 109 | 2B | | D10-3496-18 | FRICTION ARM ASSY | | |
| 110 | 2A | | D10-3659-04 | FEED SHAFT | | |
| 113 | 1A | | D13-1599-08 | GEAR (IDLER) | | |
| 114 | 2B | | D13-1600-08 | GEAR (LOAD) | | |
| 115 | 2B | | D13-1601-08 | GEAR (CENTER) | | |
| 117 | 3A | | D13-1603-08 | CAM GEAR(UP/DOWN) | | |
| 118 | 1A | | D13-1604-08 | GEAR (HELICAL) | | |
| 119 | 2A | | D13-1765-03 | GEAR | | |
| 120 | 2B,3B | | D14-0361-08 | ROLLER (TRAY) | | |
| 122 | 2B | | D15-0366-08 | PULLEY (LOAD) | | |
| 123 | 2B | | D16-0363-08 | DRIVE BELT | | |
| 125 | 2B | | D21-1762-08 | SHAFT (PULLEY) | | |
| 126 | 2A | | D13-1763-04 | GEAR (MIDLLE) | | |
| 132 | 2A,2B | | E35-0811-08 | 3P WIRE | | |
| 133 | 3B | | E35-1184-08 | 6P WIRE | | |
| 134 | 2A | | E35-1185-08 | 6P FLAT WIRE | | |
| 135 | 3A | | E35-1186-08 | 6P WIRE (TU-D) | | |
| 136 | 3A | | E35-1187-08 | 16P FLAT CABLE | | |
| 137 | 3A | | E40-3264-05 | CONNECTOR | | |
| 140 | 1A | | F07-0773-08 | COVER (TRAY) | | |
| 141 | 2A | | N19-1441-08 | WASHER | | |
| 143 | 2A | | N19-1435-05 | FLAT WASHER | | |
| 145 | 3A | | G01-3806-18 | SPRING (MD-H) | | |
| 146 | 3A | | G01-3807-18 | SPRING (MD-G) | | |
| 148 | 3A | | G01-3663-08 | SPRING (CAM) | | |
| 149 | 2B | | G01-3664-08 | SPRING (LOCK) | | |
| 150 | 2A | | G01-3931-08 | SPRING (BRAKE) | | |
| 151 | 2A | | G01-3768-08 | SPRING (LIFT) | | |
| 152 | 1A,1B | | G16-0821-04 | SHEET (TRAY) | | |
| 153 | 3B | | G16-0856-08 | FILAMENT TAPE | | |

L : Scandinavia K : USA P : Canada R : Mexico C : China I : Malaysia
 Y : PX(Far East, Hawaii) T : Europe E : Europe G : Germany V : China (Shanghai)
 Y : AAFES(Europe) X : Australia Q : Russia H : Korea M : Other Areas

Δ indicates safety critical components.

PARTS LIST

RXD-501/551/571/A5/701/751/771/A8

* New Parts
Parts without **Parts No.** are not supplied.
Les articles non mentionnés dans le **Parts No.** ne sont pas fournis.
Teile ohne **Parts No.** werden nicht geliefert.

33

| Ref. No | Add-ress | New Parts | Parts No. | Description | Desti-nation | Re-marks |
|--|----------|-----------|-------------|---------------------------|--------------|----------|
| 155 | 2A | | J02-1133-08 | INSULATOR | | |
| 156 | 2B | | J11-0813-08 | CLAMPER | | |
| 157 | 1B | | J19-3758-08 | BRACKET (CLAMP) | | |
| 158 | 2B | | J19-3660-08 | BRACKET (GEAR) | | |
| 159 | 2B,3B | | J19-3661-08 | BRACKET (TRAY) | | |
| 160 | 3B | | J61-0081-05 | SK BINDER SKB-100 | | |
| 161 | 1A | | J99-0541-08 | TRAY (SLIDE) | | |
| 162 | 1A | | J99-0542-08 | TRAY (ROTARY) | | |
| 163 | 2A | | J90-0844-03 | GUIDE (RAIL) | | |
| L | | | N09-2658-08 | SCREW | | |
| M | | | N09-3053-08 | SCREW | | |
| N | | | N09-3107-08 | SCREW | | |
| P | | | N09-3140-08 | SCREW | | |
| Q | | | N09-3141-08 | SCREW | | |
| 165 | 2B | | S33-2061-05 | LEVER SWITCH | | |
| 166 | 1A,2A | | S64-0025-08 | LEVER SWITCH MXS00621NLBO | | |
| 167 | 3A | | S74-0065-05 | LEAF SWITCH | | |
| 171 | 1B | | T99-0544-05 | MAGNET | | |
| DM | 3A | | A11-1114-08 | T T CHASSIS ASSY | | |
| FM | 3A | | T42-0872-08 | FEED MOTOR ASSY | | |
| LM | 3B | | T42-0682-08 | MOTOR PULLEY ASSY | | |
| PU | 3A | | T25-0050-05 | PICKUP (KCP1H) | | |
| RTM | 2B | | T42-0683-08 | MOTOR WORM ASSY | | |
| CASSETTE DECK MECHANISM (D40-1588-08) | | | | | | |
| 401 | 1D | | A10-3340-08 | CHASSIS | | |
| 402 | 2C | | A10-3350-08 | HEAD CHASSIS | | |
| 403 | 1E | | A11-1119-08 | MECHA BASE ASSY | | |
| 404 | 2E | | D01-0201-08 | FLYFWHEEL ASSY (R) | | |
| 405 | 1C | | D01-0202-08 | FLYFWHEEL ASSY (L) | | |
| 406 | 2D | | D10-3711-08 | INTER LOCK ARM (BR)B | | |
| 407 | 1C | | D10-3712-08 | INTER LOCK ARM (BL)A | | |
| 408 | 2E | | D10-3717-08 | TRIGGER ARM | | |
| 409 | 2E | | D10-3718-08 | BRAKE ARM | | |
| 410 | 2D | | D13-1809-08 | CAM GEAR | | |
| 411 | 1E | | D13-1810-08 | IDLER GEAR (REM) | | |
| 412 | 1D | | D13-1811-08 | IDLER GEAR | | |
| 413 | 1C,2C | | D13-1813-08 | RETURN GEAR | | |
| 414 | 1C,2C | | D13-1814-08 | ROTATOR | | |
| 415 | 1C,2E | | D13-1812-08 | REEL GEAR | | |
| 416 | 2D | | D14-0387-08 | PINCH ASSY (R) | | |
| 417 | 2C0 | | D14-0388-08 | PINCH ASSY (L) | | |
| 418 | 1D | | D15-0400-08 | PULLEY GEAR | | |
| 419 | 2E | | D16-0716-08 | DRIVE BELT | | |
| 420 | 2E | | D16-0717-08 | CLUTCH BELT (W) | | |
| 421 | 1D | | D19-0306-08 | CLUTCH ASSY | | |
| 422 | 2C | | D23-0329-08 | HOUSING ASSY (L) | | |
| 423 | 2D | | D23-0330-08 | HOUSING ASSY (R) | | |
| 424 | 1D,1E | | B30-2409-08 | LED | | |
| 425 | 1E | | E35-2172-08 | 15P FLAT RIBBON WIRE | | |
| 427 | 1E | | E35-1818-08 | MOTOR WIRE | | |
| 429 | 1C,2D | | G01-3709-08 | B.T SPRING | | |
| 430 | 2E | | G01-3990-08 | TRIGGER ARM SP | | |
| 431 | 1D | | G01-3991-08 | CLUTCH ARM SP | | |
| 432 | 2C | | G01-3992-08 | HERD RETURN SP | | |

L : Scandinavia K : USA P : Canada R : Mexico C : China I : Malaysia
Y : PX(Far East, Hawaii) T : Europe E : Europe G : Germany V : China (Shanghai)
Y : AAFES(Europe) X : Australia Q : Russia H : Korea M : Other Areas

▲ indicates safety critical components.

* New Parts
Parts without **Parts No.** are not supplied.
Les articles non mentionnés dans le **Parts No.** ne sont pas fournis.
Teile ohne **Parts No.** werden nicht geliefert.

34

| Ref. No | Add-ress | New Parts | Parts No. | Description | Desti-nation | Re-marks |
|---------|----------|-----------|--------------|----------------------------|--------------|----------|
| 433 | 2D | | G01-3993-08 | HERD CHASSIS SP | | |
| 434 | 1C,2C | | G01-3994-08 | RETURN GEAR SP | | |
| 435 | 1C,2C | | G01-3995-08 | EARTH SP | | |
| 436 | 1C | | G01-3996-08 | INTER LOCK SP (BL) | | |
| 437 | 1C,2D | | G01-3997-08 | INTER LOCK SP (C) | | |
| 438 | 2E | | G01-3998-08 | BRAKE ARM SP | | |
| 439 | 2D | | G01-3999-08 | INTER LOCK SP (BR) | | |
| 440 | 1D | | G02-0913-08 | PACK SP | | |
| 441 | 1C,2C | | G02-1623-08 | AZIMUTH PLATE | | |
| 442 | 1C,2C | | G11-2100-08 | HEAD WIRE CLAMP | | |
| 443 | 1E | | J19-5929-08 | CABLE HOLDER | | |
| 444 | 2C | | E35-1819-08 | HEAD WIRE | | |
| 445 | 2C | | E35-1821-08 | HEAD WIRE | | |
| 446 | 2D | | J21-6473-08 | H/D RETURN PLATE | | |
| 447 | 1C,2C | | J21-6474-08 | HEAD PLATE | | |
| 450 | 1C,2C | | J31-0877-08 | ROTATOR COLLAR | | |
| 451 | 1C,2C | | J39-0200-08 | HEAD BASE | | |
| 452 | 1C,2D | | J42-0183-08 | REEL BUSH | | |
| 453 | 2E | | J69-0086-08 | FILAMENT TAPE | | |
| 454 | 2D | | J90-0849-08 | CASSETTE GUIDE | | |
| 455 | 1C,2D | | D19-0270-08 | REEL CAP (A) | | |
| 473 | 1D,1E | | RD14BB2C222J | RESISTOR 2.2ohm | | |
| 475 | 1E | | S74-0033-08 | REC SWITCH | | |
| 476 | 1E | | S74-0042-08 | PLAY SWITCH | | |
| 479 | 1E | | T42-0919-08 | MOTOR ASSY | | |
| 480 | 1E | | T94-0239-08 | SOLENOID ASSY | | |
| 481 | 1E | | T95-0154-08 | PHOTO INTERRUPTER | | |
| CA | | | N09-3372-08 | HEAD SCREW | | |
| CB | | | N09-1497-08 | TAP TITE SCREW 2X5 | | |
| CC | | | N09-3384-08 | TAPPING SCREW 1.7X8 | | |
| CD | | | N09-2877-08 | TAPTITE SCREW 2X4 | | |
| CE | | | N09-2900-08 | BIND TAPPING SCREW 2X6 | | |
| CF | | | N35-2604-08 | BINDING SCREW 2.6X4 | | |
| CG | | | N09-3112-08 | AZIMUTH SCREW | | |
| CH | | | N09-3371-08 | SCREW (CAM) | | |
| CJ | | | N19-1439-08 | POLY MASHER 4X7X.04CUT | | |
| CK | | | N19-1355-08 | NYLON WASHER 1.9X5X0.5 | | |
| CL | | | N19-1354-08 | NYLON WASHER 2.19X5.5X0.5 | | |
| CM | | | N19-1387-08 | TEFRON WASHER 4.1X5.5X0.25 | | |
| CN | | | N19-1384-08 | POLY WASHER 2.1X5X0.25 | | |
| CP | | | N19-1388-08 | POLY WASHER 1.57X4X0.5CUT | | |
| CQ | | | N19-1385-08 | POLEY WASHER 2.3X4X0.25 | | |
| CR | | | N09-3366-08 | SCREW (INTER LOCK) | | |
| CS | | | N19-1316-08 | POLY WASHER 1.8X6X0.5CUT | | |
| CT | | | N19-1288-08 | POLY WASHER 1.57X5X0.5CUT | | |
| CU | | | N09-0832-08 | TAPTITE SCREW 2.6X6 | | |
| PH | 1C | | T31-0077-08 | POTATION HEAD | | |
| RPEH | 2C | | T34-0352-08 | ROTATION HEAD (RP) KC9142 | | |

L : Scandinavia K : USA P : Canada R : Mexico C : China I : Malaysia
Y : PX(Far East, Hawaii) T : Europe E : Europe G : Germany V : China (Shanghai)
Y : AAFES(Europe) X : Australia Q : Russia H : Korea M : Other Areas

▲ indicates safety critical components.

HOW TO READ THE PARTS LIST

ABBREVIATION OF MODEL AND MASS PRODUCTION'S DESTINATIONS

| MODEL | ABB. | Australia | Canada | China | England | Europe | Germany | Korea | Malaysia |
|----------|------|-----------|----------|--------|-------------|----------|---------|------------|----------|
| RXD-501 | 5 | X | - | - | T | E | - | - | - |
| RXD-501W | | - | - | - | - | - | - | - | - |
| RXD-501E | | - | - | - | - | E2 | - | - | - |
| RXD-551 | | X | - | - | T | E | - | - | - |
| RXD-551W | | - | - | - | - | - | - | - | - |
| RXD-551E | | - | - | - | - | E2 | - | - | - |
| RXD-571S | | - | - | - | - | - | - | - | - |
| RXD-A5 | | - | P | - | - | - | - | - | - |
| RXD-701 | 7 | X | - | - | T | E | - | - | - |
| RXD-701W | | - | - | - | - | - | - | - | - |
| RXD-701E | | - | - | - | - | E2 | - | - | - |
| RXD-751 | | X | - | - | T | E | - | - | - |
| RXD-751W | | - | - | - | - | - | - | - | - |
| RXD-751E | | - | - | - | - | E2 | - | - | - |
| RXD-771S | | - | - | - | - | - | - | - | - |
| RXD-A8 | | - | P | - | - | - | - | - | - |
| MODEL | ABB. | Mexico | PX/AAFES | Russia | Scandinavia | Shanghai | USA | Other area | |
| RXD-501 | 5 | - | - | - | - | - | - | - | - |
| RXD-501W | | - | - | Q | - | - | - | - | - |
| RXD-501E | | - | - | - | - | - | - | - | - |
| RXD-551 | | - | Y | - | - | - | - | M | - |
| RXD-551W | | - | - | Q | - | - | - | - | - |
| RXD-551E | | - | - | - | - | - | - | - | - |
| RXD-571S | | - | - | - | - | - | - | M2 | - |
| RXD-A5 | | - | - | - | - | - | K | - | - |
| RXD-701 | 7 | - | - | - | - | - | - | - | - |
| RXD-701W | | - | - | Q | - | - | - | - | - |
| RXD-701E | | - | - | - | - | - | - | - | - |
| RXD-751 | | - | Y | - | - | - | - | M | - |
| RXD-751W | | - | - | Q | - | - | - | - | - |
| RXD-751E | | - | - | - | - | - | - | - | - |
| RXD-771S | | - | - | - | - | - | - | M2 | - |
| RXD-A8 | | - | - | - | - | - | K | - | - |

SPECIFICATIONS

Main unit

[Amplifier section]

(RXD-A8/RXD-7...Series)

Rated power output (U.S.A. and Canada)

100 watts per channel minimum RMS, both channels driven, at 6 Ω from 40Hz to 14kHz with no more than 0.9 % total harmonic distortion.

Effective output power during STEREO operation

U.S.A. and Canada

FRONT (1 kHz , 0.9 % T.H.D.,6 Ω) 100 W + 100 W

Sub woofer (60 Hz , 0.9 % T.H.D.,12Ω // 12 Ω) 100 W

Other countries

FRONT (1 kHz , 10 % T.H.D.,6 Ω) 135 W + 135 W

Sub woofer (60 Hz , 10 % T.H.D.,12Ω // 12 Ω) 135 W

Rated output power during STEREO operation

Europe, U.K. and Russia

(DIN)1 kHz , 0.7 % T.H.D.,6 Ω, 100 W + 100 W

Other countries

1 kHz , 1.0 % T.H.D.,6 Ω, 115 W + 115 W

(RXD-A5/RXD-5...Series)

Rated power output (U.S.A. and Canada)

70 watts per channel minimum RMS, both channels driven, at 6 Ω from 40Hz to 14kHz with no more than 0.9 % total harmonic distortion.

Effective output power during STEREO operation

1 kHz , 10 % T.H.D.,6 Ω, 100 W + 100 W

Rated output power during STEREO operation

Europe, U.K. and Russia

(DIN)1 kHz , 0.7 % T.H.D.,6 Ω, 80 W + 80 W

Other countries

1 kHz , 1.0 % T.H.D.,6 Ω, 95 W + 95 W

Signal to noise ratio

AUX 90 dB

Input sensitivity / impedance

AUX 400 mV / 47kΩ

MIC 1, 2 (Except for some arears) 2.5 mV / 22 kΩ

Output level / impedance

AUX (Except for U.S.A. and Canada) 0.5 V / 3.3 kΩ

(RXD-A5/RXD-5...Series)

SUPER WOOFER PREOUT 1.8 V / 3.3 kΩ

[Tuner section]

FM tuner section

Tuning frequency range 87.5 MHz ~ 108 MHz
(For Russia) 65.0 MHz ~74.0 MHz

MW (AM) tuner section

Tuning frequency range

Europe, U.K. and Russia 531 kHz ~ 1,602 kHz

Other countries

9kHz step 531 kHz ~ 1,602 kHz

10kHz step 530 kHz ~ 1,610 kHz

U.S.A. and Canada 530 kHz ~ 1,700 kHz

LW tuner section (For the United Kingdom and Russia)

Tuning frequency range 153 kHz ~ 279 kHz

SW tuner section (RXD-771S/RXD-571S)

Tuning frequency range 5.9MHz ~17.9MHz

[Csette deck section]

Track 4-track,2-channel stereo

Recording system AC bias system
(Frequency: 105 kHz)

Heads

A deck Playback head 1

B deck Playback / recording head 1

Erasing head 1

Motors 2

Fast winding time Approx. 115 seconds
(C-60 tape)

[CD player section]

Laser Semiconductor laser

Wow & flutter Less than unmeasurable limit
(Except for U.S.A. and Canada)

Digital output (Optical) -15 dBm ~ -21 dBm
(Wave length 660 nm)

[General]

Power consumption (RXD-7...Series) 210 W
(RXD-A8/RXD-A5/RXD-5...Series) 200 W

Dimensions W : 280 mm (11")

H : 332 mm (13-1/16")

D : 344 mm (13-9/16")

Weight (net) (RXD-A8/RXD-7...Series) 11.1 kg (24.5 lb)
(RXD-A5/RXD-5...Series) 10.5 kg (23.1 lb)



1. KENWOOD follows a policy of continuous advancements in development. For this reason specifications may be changed without notice.
2. The full performance may not be exhibited in extremely cold location (under a water-freezing temperature).

Note:

Component and circuit are subject to modification to insure best operation under differing local conditions. This manual is based on Europe (E) standard, and provides information on regional circuit modification through use of alternate schematic diagrams, and information on regional component variations through use of parts list.

KENWOOD CORPORATION

14-6,Dogenzaka 1-chome, Shibuya-ku, Tokyo, 150-8501 Japan

KENWOOD SERVICE CORPORATION

P.O BOX 22745, 2201 East Dominguez St., Long Beach, CA 90801-5745, U.S.A.

KENWOOD ELECTRONICS CANADA INC.

6070 Kestrel Road, Mississauga, Ontario, Canada L5T 1S8

KENWOOD ELECTRONICS LATIN AMERICA S.A.

P.O BOX 55-2791, Piso 6 plaza Chase, Cl. 47 y Aquilino de la Guardia Panama, Republic de Panama

KENWOOD ELECTRONICS BRASIL LTDA.

Av Indianópolis, 628, 04062-001 Planalto Paullista São Paulo-SP-Brasil

KENWOOD ELECTRONICS U.K. LIMITED

KENWOOD House, Dwight Road, Watford, Herts., WD1 8EB., United Kingdom

KENWOOD ELECTRONICS BELGIUM N.V.

Meachelsesteenweg 418, B-1930 Zaventem, Belgium

KENWOOD ELECTRONICS DEUTSCHLAND GMBH

Rembrücker Str. 15, 63150 Heusenstamm, Germany

KENWOOD ELECTRONICS FRANCE S.A.

13 Boulevard Ney, 75018 Paris, France

KENWOOD ELECTRONICS ITALIA S.p.A.

Via G. Sirtori, 7/9 20129, Milano, Italy

KENWOOD IBÉRICA S.A.

Bolivia, 239-08020 Barcelona, Spain

KENWOOD ELECTRONICS AUSTRALIA PTY. LTD.

(A.C.N. 001499 074)

P.O Box 504, 8 Figtree Drive, Australia Centre, Homebush, N.S.W. 2140, Australia

KENWOOD & LEE ELECTRONICS, LTD.

Unit 3712-3724, Level 37, Tower 1, Metroplaza, 223 Hing Fong Road, Kwai Fong N.T., Hong Kong

KENWOOD ELECTRONICS GULF FZE

P.O.Box 61318, Jebel Ali, Dubai, U.A.E.

KENWOOD ELECTRONICS SINGAPORE PTE LTD.

No. 1 Genting Lane #02-02, KENWOOD Building, Singapore, 349544

KENWOOD ELECTRONICS (MALAYSIA) SDN BHD.

#4.01 Level 4, Wisma Academy Lot 4A, Jalan 19/1 46300 Petaling Jaya Selangor Darul Ehsan Malaysia

KENWOOD ELECTRONICS (THAILAND) CO., LTD.

573/111 Soi Ramkhamhaeng 39, Ramkhamhaeng Road, Wangthonglang, Bangkok, Bankok 10301 Thailand