

**Refer to page 2 if you want to know system configuration.

In compliance with Federal Regulations, following are reproductions of labels on, or inside the product relating to laser product safety.

* Refer to parts list on page 55~.

KENWOOD-Crop. certifies this equipment conforms to DHHS Regulations No. 21 DFR 1040. 10, Chapter 1, Subchapter J.

DANGER : Laser radiation when open and interlock defeated. AVOID DIRECT EXPOSURE TO BEAM

RXD-652/702/752/772S/852/A81/A601/A701

CONTENTS / ACCESSORIES

Contents

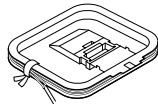
CONTENTS/ACCESSORIES	2	PARTS DESCRIPTIONS	13
EXTERNAL VIEW/DISASSEMBLY FOR REPAIR.....	3	PC BOARD	14
BLOCK DIAGRAM	4	SCHEMATIC DIAGRAM	25
CIRCUIT DESCRIPTION	5	EXPLODED VIEW	51
ADJUSTMENT	10	PARTS LIST	55
WIRING DIAGRAM	12	SPECIFICATIONS	68

Accessories

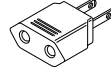
FM indoor antenna (1)
(T90-0836-05)



AM loop antenna (1)
(T90-0837-05)

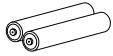


AC plug adaptor (1)
(E03-0115-05)



Use to adapt the plug on the power cord to the shape of the wall outlet.
(Accessory only for regions where use is necessary.)

Batteries (R6/AA) (2)



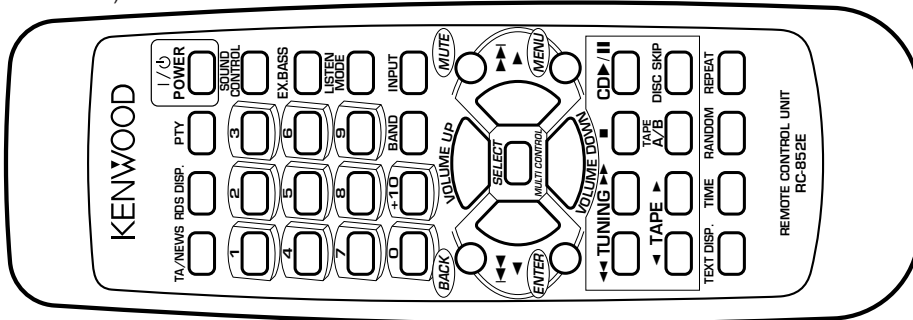
Speaker cords (2)



Provided in the speaker package

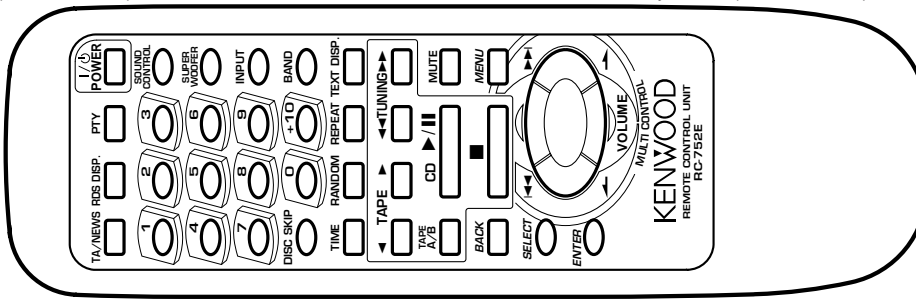
Remote control unit (1)
(A70-1289-05): RC-852E

Battery cover (A09-1135-08)



Remote control unit (1)
(A70-1298-05): RC-752E

Battery cover (A09-0399-08)



System configuration

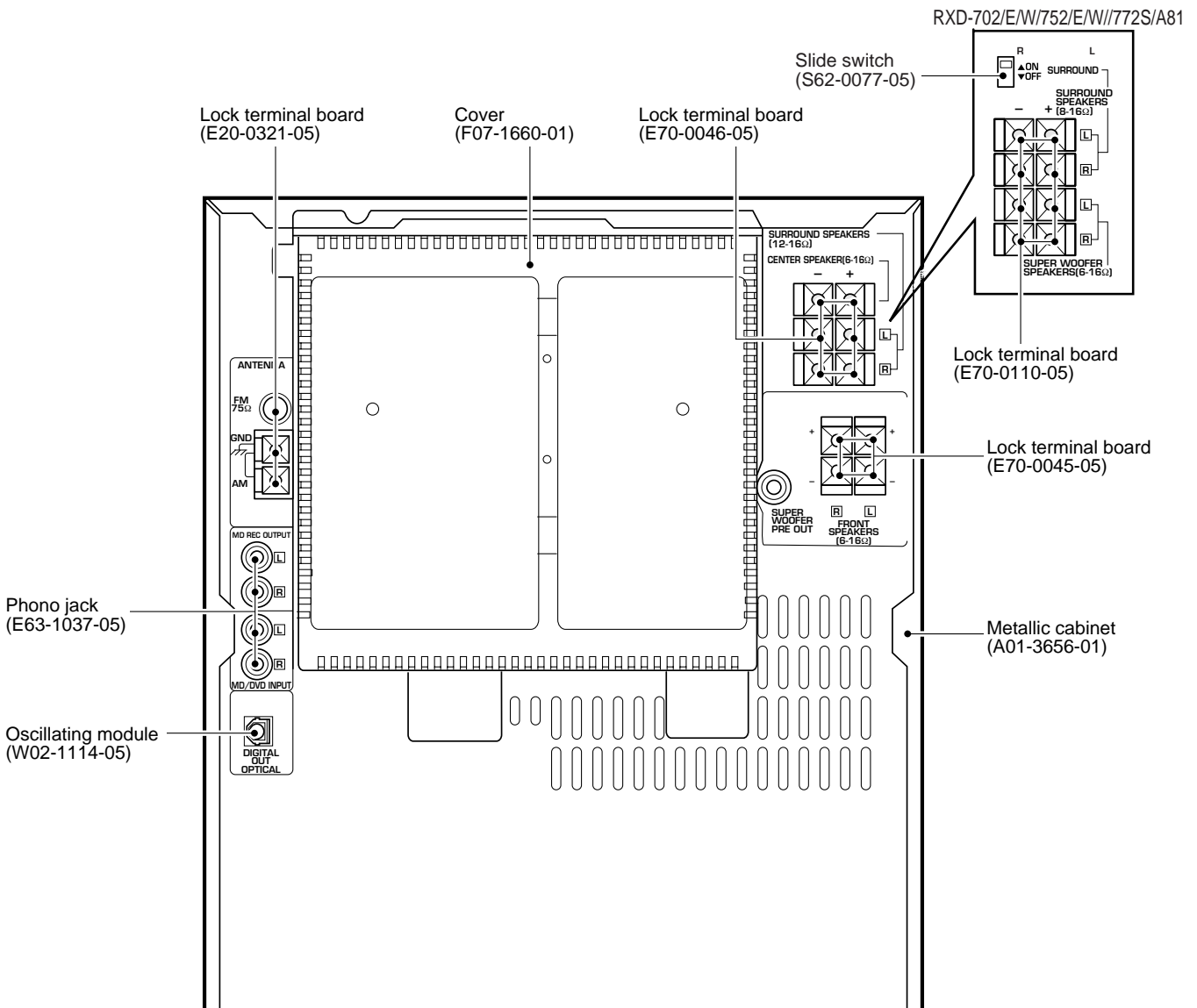
SYSTEM	MAIN UNIT	DESTINATION	SPEAKER	SPEAKER	SP CORD PARTS No
XD-A601	RXD-A601	KP	LS-N472	CRS-N572	E30-5535-05
XD-652	RXD-652	MXE	LS-N472	CRS-N572	E30-5535-05
XD-652E	RXD-652E	E1	LS-N472	CRS-N572	E30-5535-05
XD-652W	RXD-652W	Q	LS-N472	CRS-N572	E30-5535-05
XD-A81	RXD-A81	KP	LS-N752	-	E30-5549-05
XD-752	RXD-752	YMXTE	LS-N752	-	E30-5549-05
XD-752E	RXD-752E	E1	LS-N752	-	E30-5549-05
XD-752W	RXD-752W	Q	LS-N752	-	E30-5549-05
XD-702	RXD-702	E	LS-N702	-	E30-5549-05
XD-702E	RXD-702E	E1	LS-N702	-	E30-5549-05
XD-702W	RXD-702W	Q	LS-N702	-	E30-5549-05
XD-772S	RXD-772S	M1	LS-N752	-	E30-5549-05
XD-A701	RXD-A701	KP	LS-N572	CRS-N572	E30-5535-05
XD-852	RXD-852	YMXTE	LS-N572	CRS-N572	E30-5535-05
XD-852E	RXD-852E	E1	LS-N572	CRS-N572	E30-5535-05
XD-852W	RXD-852W	Q	LS-N572	CRS-N572	E30-5535-05

Remocon configuration

MAIN UNIT	DESTINATION	REMOTE CONTROLLER	BATTERY COVER	MODEL NAME
RXD-A601	KP	A70-1288-05	A09-1135-08	RC-852
RXD-652	MX	A70-1288-05	A09-1135-08	RC-852
RXD-A701	KP	A70-1288-05	A09-1135-08	RC-852
RXD-852	YMX	A70-1288-05	A09-1135-08	RC-852
RXD-652	E	A70-1289-05	A09-1135-08	RC-852E
RXD-652E	E1	A70-1289-05	A09-1135-08	RC-852E
RXD-652W	Q	A70-1289-05	A09-1135-08	RC-852E
RXD-852	TE	A70-1289-05	A09-1135-08	RC-852E
RXD-852E	E1	A70-1289-05	A09-1135-08	RC-852E
RXD-852W	Q	A70-1289-05	A09-1135-08	RC-852E
RXD-A81	KP	A70-1297-05	A09-0399-08	RC-752
RXD-752	YMX	A70-1297-05	A09-0399-08	RC-752
RXD-772S	M1	A70-1297-05	A09-0399-08	RC-752
RXD-702	E	A70-1298-05	A09-0399-08	RC-752E
RXD-702E	E1	A70-1298-05	A09-0399-08	RC-752E
RXD-702W	Q	A70-1298-05	A09-0399-08	RC-752E
RXD-752	TE	A70-1298-05	A09-0399-08	RC-752E
RXD-752E	E1	A70-1298-05	A09-0399-08	RC-752E
RXD-752W	Q	A70-1298-05	A09-0399-08	RC-752E

EXTERNAL VIEW / DISASSEMBLY FOR REPAIR

EXTERNAL VIEW



DISASSEMBLY FOR REPAIR

Check the X07 PCB

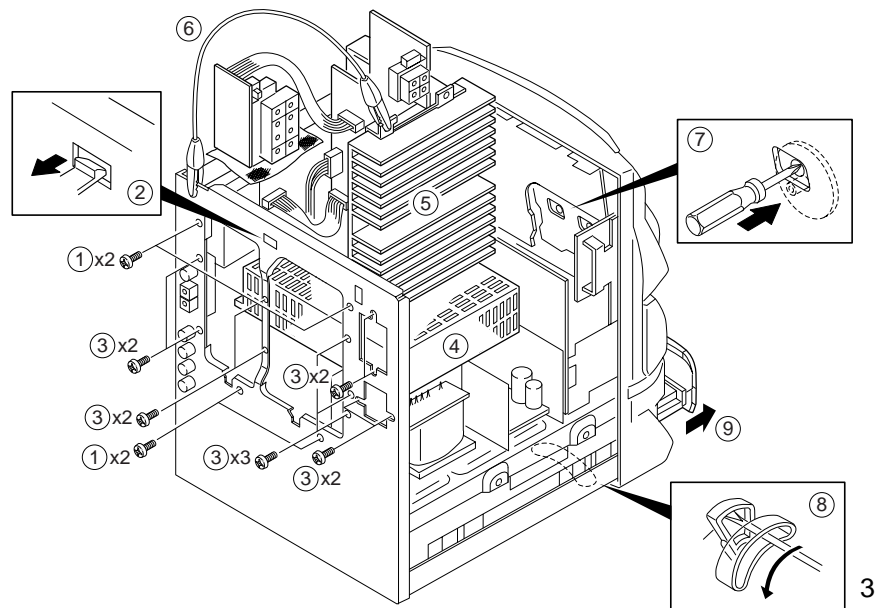
1. Remove the 4 screws (①), then remove the hook (②) of the cover and the cover.
2. Remove the 11 screws (③), then remove the X07PCB.
3. Put the cover (④) and the X07PCB (⑤) on the power transformer.
4. Connect GND between the rear panel and the X07PCB with an alligator clip wire (⑥).

How to remove the JOG knob

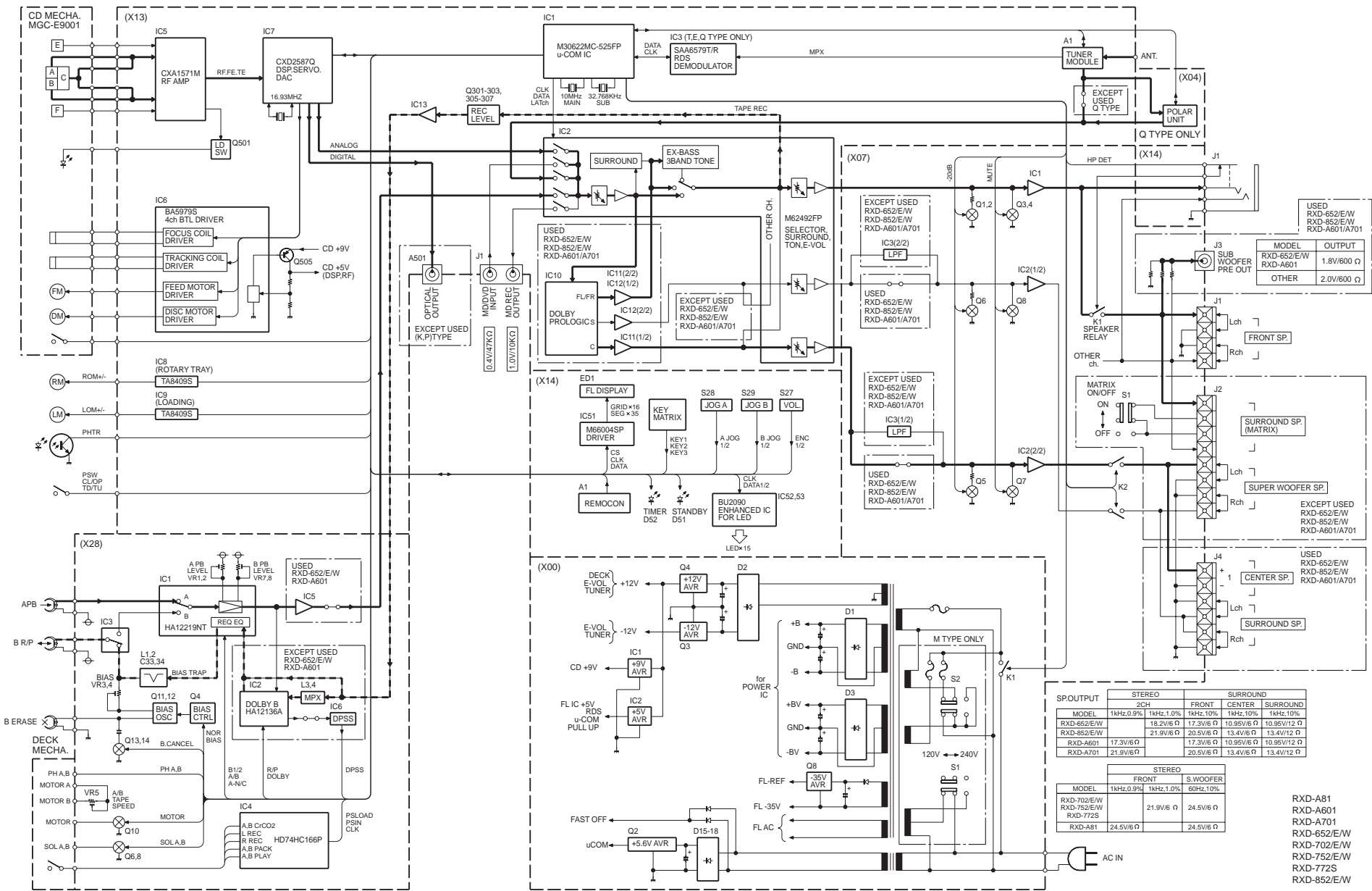
5. Push the JOG knob by inserting a screwdriver in the hole of the front panel back (⑦).

How to the tray if not comes out

6. Turn the friction arm fully counterclockwise using a screwdriver and the like (⑧).
7. Pull out the tray front wards by hand when the tray just comes out (⑨).



BLOCK DIAGRAM



SPOUTPUT	STEREO		SURROUND		
	2CH	FRONT	CENTER	SURROUND	
MODEL	1kHz,0.9%	1kHz,1.0%	1kHz,10%	1kHz,10%	1kHz,10%
RXD-652/E/W	18.2V/6 Ω	17.3V/6 Ω	10.95V/6 Ω	10.95V/12 Ω	
RXD-852/E/W	21.9V/6 Ω	20.5V/6 Ω	13.4V/6 Ω	13.4V/12 Ω	
RXD-A601	17.3V/6 Ω	17.3V/6 Ω	10.95V/6 Ω	10.95V/12 Ω	
RXD-A701	21.9V/6 Ω	20.5V/6 Ω	13.4V/6 Ω	13.4V/12 Ω	

STEREO	FRONT		S.WOOFER
	1kHz,0.9%	1kHz,1.0%	60Hz,10%
MODEL			
RXD-702/E/W	21.9V/6 Ω		24.5V/6 Ω
RXD-752/E/W			
RXD-772S			
RXD-A81	24.5V/6 Ω		24.5V/6 Ω

- RXD-A81
- RXD-A601
- RXD-A701
- RXD-652/E/W
- RXD-702/E/W
- RXD-752/E/W
- RXD-772S
- RXD-852/E/W

CIRCUIT DESCRIPTION

1. Initialization

1-1 Setting of initial conditions

While pressing the [ENTER] key, put the plug into an AC power outlet.

1-2 Initializing operation

- A microcomputer is initialized for start when the AC power is turned on when pressing the [ENTER] key. At that time, CD mechanism and CASSETTE mechanism are also initialized.
- During the initial operation, the display shows INITIALIZE and after that it will be returned to STANDBY condition.

1-3 Initial items and back up data

ITEMS		
AMP	*POWER	STANDBY
	*VOLUME	14
	*BALANCE	CENTER
	MUTING	OFF
	PROTECTION	OFF
	S. DIRECT	OFF
	SUPER WOOFER (RXD-752/E/W)	+3
	DISPLAY MODE	AUTO
	*AUTO POWER SAVE	OFF
	*MD/DVD INPUT LEVEL	-3
	*INPUT SEL. (LISTEM MODE)	TUNER
	DOLBY PROLOGIC	OFF
	DOLBY 3STEREO	OFF
	DOLBY VIRTUAL SURROUND	OFF
	CENTER SP. SURROUND SP. DELAY TIME	EXIST(SMALL) EXIST 20 msec.
	TUNER	*BAND FM *FREQUENCY LOWEST FREQUENCY *AUTO/MONO AUTO *P.CH --CH
CLOCK	*CLOCK 0:00 (E/T/Q) 12:00 (OTHERS) *PROG. RECORDING ON/OFF TIME 0:00 (E/T/Q) 12:00 (OTHERS) *PROG. TIMER PLAY ON/OFF TIME 0:00 (E/T/Q) 12:00 (OTHERS) *PROG. EXECUTION OFF SLEEP TIMER OFF O.T.T. OFF	
DECK	*DIRECTION FORWARD *RVS MODE REVERSE (U MODE) *A/B B	

*BACKED UP DATA

1-4 Mechanism initialization

1-4-1 CD mechanism

- Disc unclamps(traverse down).
- Rotary tray rotates(1/3 rotation).
- If a mechanism error occurs, CD ERR is indicated on the display.

1-4-2 DECK mechanism

- When initial condition becomes NG for the third time, decide the error. The error condition is displayed as X ERR on the display.

1-4-3 Error display

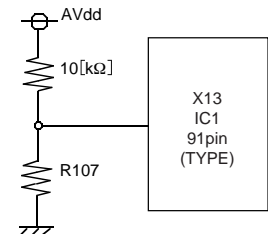
- If both mechanism (CD/DECK) error occur, the display is indicated as follows. CD & X ERR

2. Destination list of TUNER

Destinat-ion	Tuner type	BAND	Receiving frequency range	Channel space	IF	RF
K,P	K1	FM	87.5MHz~108.0MHz	100kHz	+10.7MHz	25kHz
		AM	530kHz~1700kHz	10kHz	+450kHz	10kHz
M,V,X,Y	K2	FM	87.5MHz~108.0MHz	100kHz	+10.7MHz	25kHz
		AM	530kHz~1610kHz	10kHz	+450kHz	10kHz
M	K3	FM	87.5MHz~108.0MHz	100kHz	+10.7MHz	25kHz
		MW	530kHz~1610kHz	10kHz	+450kHz	10kHz
		SW	5.9MHz~17.9MHz	5kHz	+450kHz	5kHz
M,V,X,Y	E1	FM	87.5MHz~108.0MHz	50kHz	+10.7MHz	25kHz
		AM	531kHz~1602kHz	9kHz	+450kHz	9kHz
M	E3	FM	87.5MHz~108.0MHz	50kHz	+10.7MHz	25kHz
		MW	531kHz~1602kHz	9kHz	+450kHz	9kHz
		SW	5.9MHz~17.9MHz	5kHz	+450kHz	5kHz
E	E1 RDS	FM	87.5MHz~108.0MHz	50kHz	+10.7MHz	25kHz
		AM	531kHz~1602kHz	9kHz	+450kHz	9kHz
T	E2 RDS	FM	87.5MHz~108.0MHz	50kHz	+10.7MHz	25kHz
		MW	531kHz~1602kHz	9kHz	+450kHz	9kHz
		LW	153kHz~279kHz	9kHz	+450kHz	9kHz
Q	Q	FML	65.0MHz~74.0MHz	10kHz	+10.7MHz	5kHz
		FMH	87.5MHz~108.0MHz	50kHz	+10.7MHz	5kHz
		MW	531kHz~1602kHz	9kHz	+450kHz	9kHz
		LW	153kHz~279kHz	9kHz	+450kHz	9kHz

2-1 Discrimination of TUNER destination

Destinat-ion	R107 [Ω]	Voltage [V]
K	91k	4.51
M1	39k	3.98
M2	22k	3.44
T	13k	2.83
E	8.2k	2.25
Q	4.7k	1.60



3. Test mode

3-1 Test mode of the receiver

3-1-1 Setting of the test mode

While pressing the [INPUT] key or [EX. BASS or S. WOOFER] key, put the plug into an AC power outlet.

3-1-2 Canceling of the test mode

Unplug an AC power cord from an AC power outlet.

3-1-3 Selector mode or FL indication

KEY	SELECTOR MODE	FL INDICATION
[EX.BASS] + AC ON	TUNER	<ul style="list-style-type: none"> All the fluorescent display indicators and LEDs light on. STANDBY and TIMER LEDs blink up. The all illuminated state is cleared by pressing any main unit keys or remocon keys.
[S.WOOFER] +AC ON		
[INPUT] + AC ON	AUX	<ul style="list-style-type: none"> AUX TEST

CIRCUIT DESCRIPTION

3-1-4 Basic operation in test mode

- (1) The muting during mode selection is not controlled in the test mode.
- (2) The test mode is cancelled when the AC power is turned off.
- (3) The operation of the keys in the test mode as follows.

3-1-5 The operation of the keys in the test mode

- (1) common (TUNER. AUX mode.)

KEY	FUNCTION
Display/DEMO	FL&LEDs ON/OFF
REV. MODE	Volume 1
DOLBY NR or TAPE EQ	Volume 28
REC/ARM	Volume MAX
A/B	REC level H ↔ L
DISC 3	BALANCE LEVEL <div style="text-align: center;"> → Lch MAX → Rch MAX → ← Center ← </div>

- (2) TUNER mode

KEY	FUNCTION
TAPE ■	10STEP P.CALL UP. <div style="text-align: center;"> → 10 → 20 → 30 → ← -- (00) ← </div>
TAPE ▷	P.CALL DOWN
TAPE ◁	P.CALL UP
DISC SKIP	S.LEVEL ATT. <div style="text-align: center;"> → ATT Off → ATT On → ← FREQUENCY (NORMAL) ← </div>
OPEN/CLOSE	(M TYPE) CHANNEL SPACE/EMPHASIS

- (3) AUX mode (AMP,GE)

KEY	FUNCTION
DISC 2	DVD OUTPUT Level O (MAX) ↔ -7
DISC 1	EQ ALL BAND <div style="text-align: center;"> → MAX → MIN → FLAT → </div>
DISC SKIP	MUTE ON/OFF (FL "TESTMODE" blink up)
* TAPE ■	S.direct ↔ Effect off
* TAPE ▷	DOLBY SURROUND MODE <div style="text-align: center;"> → pro logic → 3 stereo → ← Effect off (2ch) ← Virtual surround </div>
* TAPE ◁	CENTER MODE <div style="text-align: center;"> → nomal → wideband → ← phantom ← </div>
* TAPE ►►	CENTER LEVEL up
* TAPE ◄◄	CENTER LEVEL DOWN
* CD ▷/▢	SURROUND LEVEL UP
* CD ■	SURROUND LEVEL DOWN
* TUNING MODE	DELAY TIME 20ms → 30ms ↔ 15ms
** BACK	3D Level <div style="text-align: center;"> → Level 1 → Level 2 → ← Effect off ← </div>
** OPEN/CLOSE	SUPER WOOFER Level <div style="text-align: center;"> → Level 3 → Level 5 (MAX) → ← Level off (MIN) ← </div>

S M U O R D R E O O N N L Y

* USED RXD-652/E/W
RXD-852/E/W
RXD-A601/A701

** EXCEPT USED
RXD-652/E/W
RXD-852/E/W
RXD-A601/A701

3-2 Test mode of cassette deck

3-2-1 Setting of the test mode

While pressing the [deck play] key, put the plug into an AC power outlet.

3-2-2 Canceling of the test mode

Unplug an AC power cord from an AC power outlet.

3-2-3 Condition in test mode

- (1) Initial condition
 - DOLBY-OFF
 - AUDIO-MUTE OFF
- (2) Mechanism SW detection

	DISPLAY
A pack SW	E.Q
A -CRO2	PROG.12
B-FWD	O.T.T
B pack SW	AUTO
B-CRO2	ST
B-RVS	ANTENNA

- (3) 4-sec recording

If the REC key is pressed, the system record for 4 sec. Then, it rewinds to the recording starting position and plays back automatically.

If the REC key is pressed, during the 4-sec recording operation, the system records further for 4-sec, then return to the starting position of the first 4-sec recording operation and plays back.

- (4) TUNING MODE key

REC Level H ↔ L

3-3 Test mode of CD player

3-3-1 Setting of the test mode

While the pressing the [CD PLAY/PAUSE] key, put the plug into an AC power outlet.

3-3-2 Canceling the test mode

Press the stop key on stop mode or unplug the AC cord from an AC power outlet.

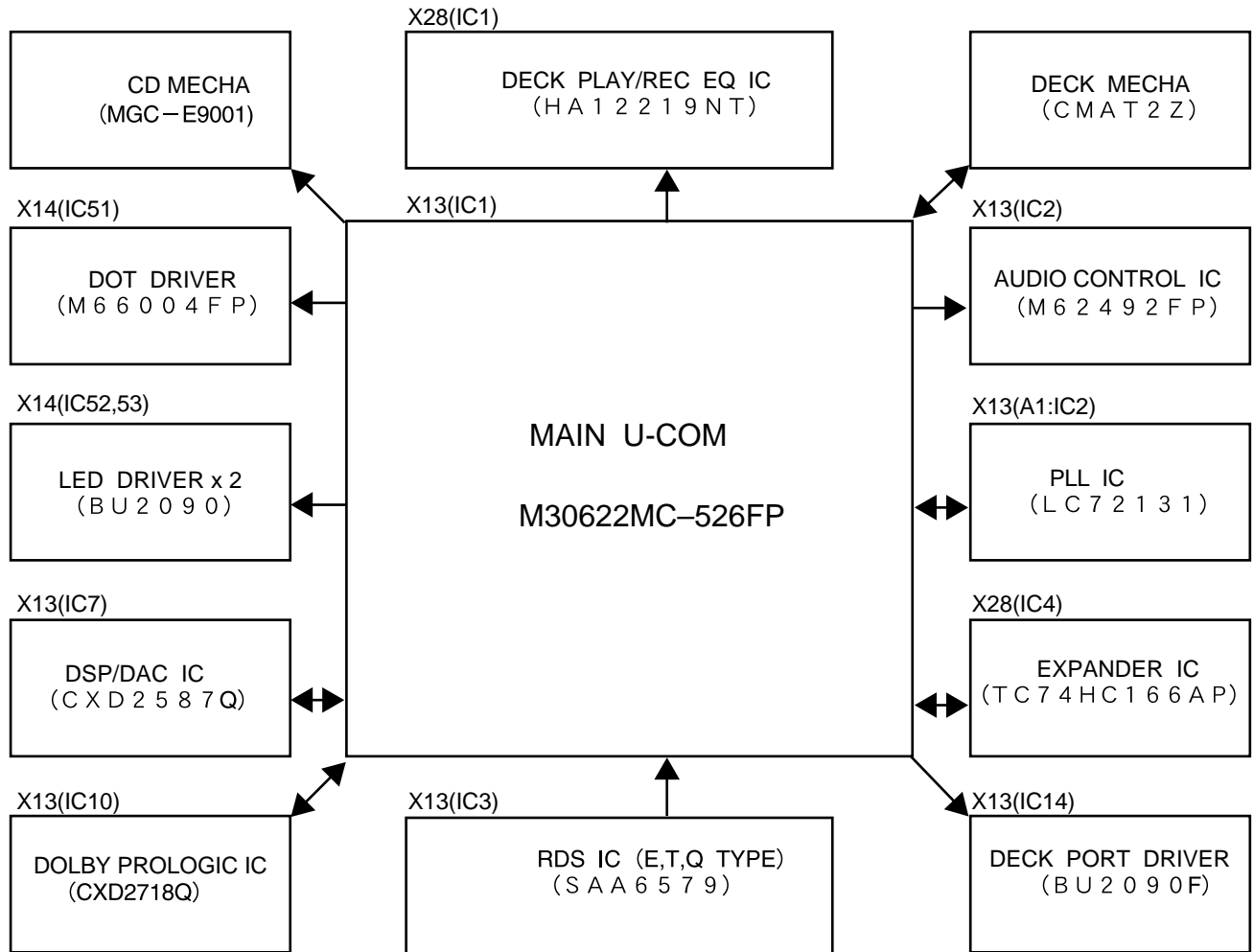
3-3-3 The operation of the keys in the test mode.

KEY	DISPLAY	OPERATION
PLAY/PAUSE +AC IN	CD TEST	<ul style="list-style-type: none"> • Setting of the test mode. • Tray 1/3 rotation. • Tray opens automatically.
STOP	0	<ul style="list-style-type: none"> • Tray closes. • Change or cancel the test mode.
PLAY/PAUSE	03 --:-- 05 **:*	<ul style="list-style-type: none"> • Tray closes/disc clamps. • T-servo off(03) or on (05).
◄◄	FINISH	• Tray 1/3 rotation.
DISC3	07 EF/FB 08 TG/FG 09 TE/RF 10 TE/VC	<ul style="list-style-type: none"> • Mechanism stops when the automatic adjustment is finished. • Display changes cyclically. • If NG, display blinks up.
DISC2	216**.*	<ul style="list-style-type: none"> • Tray closes. • Disc2 clamps. • Plays track 16.
DISC1		<ul style="list-style-type: none"> • Tray closes/disc clamps. • Plays track 32.

CIRCUIT DESCRIPTION

4. Main microprocessor M30622MC-526FP (X13:IC1)

4-1 Microprocessor periphery block diagram



4-2 VOLTAGE KEY MATRIX

INPUT VOLTAGE		KEY1	KEY2	KEY3
(V)	(HEX)	Pin97	Pin95	Pin94
0.00~0.26	00H~0DH	DISC SKIP	BAND	TUNING
0.27~0.81	0EH~29H	DISC2	EX. BASS (SW)	DISP./DEMO
0.82~1.37	2AH~46H	CD STOP	ENTER	INPUT
1.38~1.94	47H~63H	OPEN/CLOSE	RWD	SELECT
1.95~2.51	64H~80H	A/B	FF	RVS. MODE
2.52~3.07	81H~9DH	FWD PLAY	PLAY/PAUSE	TAPE STOP
3.08~3.62	9EH~B9H	RVS PLAY	DISC1	REC
3.63~4.16	BA~D5H	DOLBY(T.EQ.)	POWER	DISC3
4.17~4.73	D5~F2H	NO KEY	MENU	BACK
4.74~5.00	F3H~FFH	KEY OFF	KEY OFF	KEY OFF

CIRCUIT DESCRIPTION

4-3 Pin description

Pin	Name	I/O	Connect	Description
1	D-DATA	O	PD	DOLBY DIGITAL IC (CXD2724Q) DATA OUTPUT
2	D-CLK	O	-	DOLBY DIGITAL IC (CXD2724Q) CLOCK OUTPUT
3	PLLDATA	O	PD	PLL IC DATA (LC72131)
4	ST	I	PU	STEREO INPUT
5	PLLCE	O	PD	PLL IC CE (LC72131)OUTPUT
6	RDSDATA	I	PD	RDS DATA (SAA6579)INPUT
7	PLLCLK	O	PD	PLL IC CLOCK (LC72131)OUTPUT
8	BYTE	I	VSS	8/16 BIT CHANGEOVER
9	CNVSS	-	VSS	GND
10	XCIN	-	-	TIMER CLOCK INPUT(32.768kHz)
11	XCOUT	-	-	TIMER CLOCK OUTPUT (32.768kHz)
12	RESET	I	PU	uCOM RESET H:NORMAL L:RESET
13	XOUT	-	-	MAIN CLOCK OUTPUT 10MHz (CERAMICS)
14	VSS	-	VSS	GND
15	XIN	-	-	MAIN CLOCK OUTPUT 10MHz (CERAMICS)
16	VCC	-	VCC	+5V
17	NC	I	VCC	NOT USED(+5V)
18	REM	I	PD	REMOCON SIGNAL INPUT
19	RDSCLK	I	PD	RDS CLOCK (SAA6579)
20	SCOR	I	PD	SUB CODESYNCHRONISUM SIGNAL INPUT (CXD2587) L→H: THRUST
21	LEDDT3	O	PD	LED DRIVER IC(BU2090) DATA3 OUTPUT
22	LOSW	I	PD	CD LOAD(CLOSE) SW
23	UNLOSW	I	PD	CD UNLOAD(OPEN) SW
24	RTL	O	PD	CD MOTOR CONTROL OUTPUT(LEFT)
25	BRKM	O	PD	CD MOTOR CONTROL OUTPUT(BREAK)
26	CLOSE	O	PD	CD MOTOR CONTROL OUTPUT(CLOSE)
27	OPEN	O	PD	CD MOTOR CONTROL OUTPUT(OPEN)
28	SQCK	O	PD	SUB CODE CLOCK(CXD2587)
29	SQSO	I	PD	SUB CODE INPUT(CXD2587)
30	NC	O	PU	NOT USED
31	FLDATA	O	PD	FL DOT DRIVER(M66004FP) DATA
32	CE	I	PU	BACK UP CE H:AC ON L: AC OFF
33	FLCLK	O	PD	FL DOT DRIVER(M66004FP) CLOCK
34	FLCS	O	PD	FL DOT DRIVER(M66004FP) STROBE
35	RTR	O	PD	MOTOR CONTROL OUTPUT (RIGHT)
36	TDSW	I	PU	TRAVERSE DOWN SW
37	TUSW	I	PU	TRAVERSE UP SW
38	PHTR	I	PU	CD MECHA STOP SW
39	PSSW	I	PU	POSITION & DISC DETECT SW
40	XRST	O	PU	DSP RESET(CXD2587)
41	FL RESET	O	PD	FL DOT DRIVER (M66004FP) RESET
42	DCOFF	O	PD	DSP POWER ON/OFF(CXD2587) H:ON L:OFF
43	MON	O	PD	DISC MOTOR ON/OFF SW OUTPUT
44	LCD	O	PU	LASER SIGNAL OUTPUT(ON/OFF) L : ON H : OFF
45	SCLK	O	PD	SENS READ CLOCK OUTPUT
46	SENS	I	PD	CD DSP SENS INPUT(CXD2587)
47	CLOCK	O	PD	CD DSP CLOCK OUTPUT (CXD2587)
48	XLAT	O	PD	DSP LATCH OUTPUT(CXD2587)
49	CDDATA	O	PD	DSP DATA OUTPUT(CXD2587)
50	EVCLK	O	PD	SOUND CONTROL IC(M62492FP)CLOCK
51	EVLAT	O	PD	SOUND CONTROL IC(M62492FP)STROBE
52	EVDATA	O	PD	SOUND CONTROL IC(M62492FP)DATA

Pin	Name	I/O	Connect	Description
53,54	A-JOG1,2	I	PU	JOG A (SOUND CONTROL)INPUT1,2
55,56	B-JOG1,2	I	PU	JOG B (MULTI CONTROL)INPUT1,2
57,58	ENC1,2	I	PU	VOLUME ENCODER INPUT1,2
59	LEDCLK	O	PD	LED DRIVER IC(BU2090) CLOCK OUTPUT
60,61	LEDDT1,2	O	PD	LED DRIVER IC(BU2090) DATA1,2 OUTPUT
62	VCC	-	VCC	POWER SUPPLY(+5V)
63	SR-LIMIT	O	PU	CENTER/SURROUND(SUPER WOOFER) SP RELAY CONTROL H:ON L:OFF
64	VSS	-	VSS	GND
65	B-PH	I	PD	B DECK REEL SENSOR INPUT
66	A-PH	I	PU	A DECK REEL SENSOR INPUT
67	A/B2	O	PD	DECK A/B CHANGEOVER CONTROL1
68	A/B1	O	PD	DECK A/B CHANGEOVER CONTROL2
69	PLLDO	I	PU	PLL IC(LC72131) DATA INPUT
70	D-RST	O	PU	DOLBY DIGITAL IC(CXD2724Q) RESET OUTPUT
71	D-REDY	I	PU	DOLBY DIGITAL IC(CXD2724Q) READY INPUT
72	D-XLAT	O	PD	DOLBY DIGITAL IC(CXD2724Q) LATCH OUTPUT
73	HP-DET-IN	I	PD	HEAD PHONE DETECT INPUT H:OFF L:ON
74	BIAS	O	PD	BIAS ON/OFF CHANGEOVER CONTROL H:ON L:OFF
75	R/P	O	PD	R/P CHANGEOVER CONTROL H:REC L:PLAY
76	B.SOL	O	PD	B DECK SOLENOID CONTROL
77	CPM	O	PD	DECK MOTOR CONTROL
78	PSCLK	O	PD	EXPANDER IC(HD74HC166P) CLOCK OUTPUT
79	PSIN	I	PD	EXPANDER IC(HD74HC166P) DATA OUTPUT
80	PSLOAD	O	PD	EXPANDER IC(HD74HC166P) DATA LOAD OUTPUT
81	AMUTE	O	PD	AUDIO MUTE
82	ATT	O	PD	10dB ATTENUATOR L: ON H : OFF
83	POWER	O	PD	POWER RELAY CONTROL H: ON
84	PROTECT	I	PD	PROTECT DETECT (VOLTAGE DETECT) L: OFF H:ON
85	SPRELAY	O	PD	SPEAKER RELAY CONTROL H: ON
86	STBY-LED	O	PD	STANDBY LED CONTROL H:ON L:OFF
87	TIMER-LED	O	PD	TIMER LED CONTROL H:ON L:OFF
88	A.SOL	O	PD	A DECK SOLENOID CONTROL
89	SPEANA	I	PD	AUDIO SIGNAL INPUT(A-D)
90	MODEL	I	PD	MODEL DISTINCTION INPUT(A-D) 3.5up:XD-752 1.0 down:XD-652 Other:XD-852
91	TYPE	I	PD	TUNER DESTINATION DISTINCTION INPUT(A-D)
92	DPSS	I	PD	DPSS INPUT(A-D)
93	SLEVEL	I	PD	RDS S LEVEL INPUT
94,95	KEY3,2	I	PU	A-D KEY INPUT 3,2
96	AVSS	-	VSS	GND
97	KEY1	I	PU	A-D KEY INPUT 1
98	VREF	-	-	A-D CONVERTER REFERENCE VOLTAGE (+5V)
99	AVCC	-	VCC	A-D CONVERTER POWER SUPPLY(+5V)
100	SD	I	PU	SD INPUT

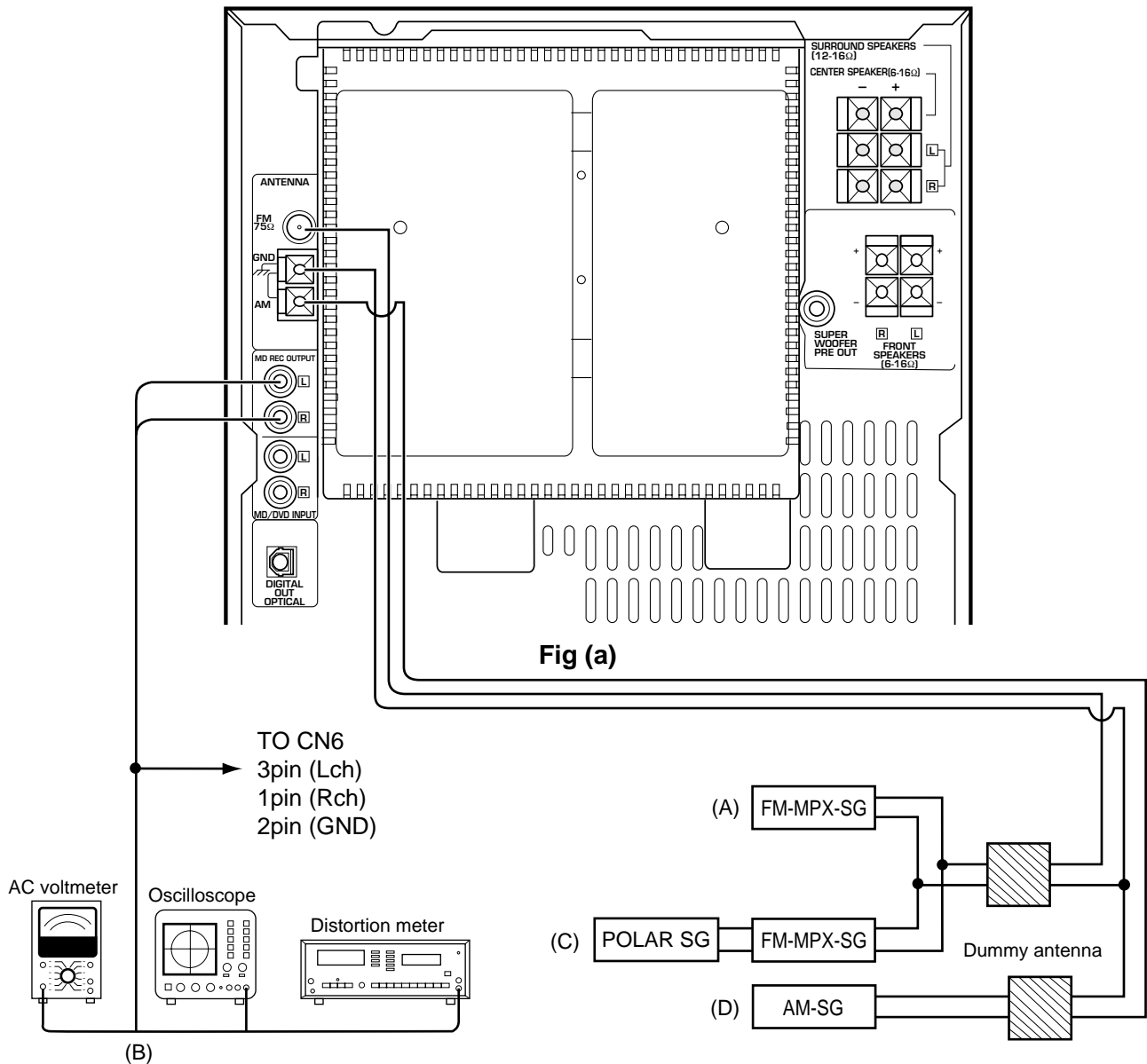
RXD-652/702/752/772S/852/A81/A601/A701

ADJUSTMENT

Tuner adjustment

X04-1313 Q TYPE (65MHz~74MHz BAND)

NO.	ITEM	INPUT SETTINGS	OUTPUT SETTINGS	TUNER SETTINGS	ALIGNMENT POINTS	ALIGN FOR	FIG.
1	VCO	(C) 69 MHz, 70 dBf (ANT INPUT) 1 kHz, 0 kHz DEV SUB, 0 kHz DEV	Connect a frequency counter to VCO monitor X04 (CN2).	AUTO 69 MHz	VR 2	Adjust it the frequency counter reads 31.25 kHz \pm 100 Hz.	(a)
2	RESONANCE POINT	(C) 69 MHz, 70 dBf (ANT INPUT) 1 kHz, 40 kHz DEV SUB, 10 kHz DEV Select : L or R	Connect an oscilloscope to TUNER OUT (CN6).	AUTO 69 MHz	TC 1	Minimum crosstalk.	(a)
3	SEPARATION	(C) SAME AS ABOVE	Connect an oscilloscope to TUNER OUT (CN6).	AUTO 69 MHz	VR 1	Minimum crosstalk.	(a)



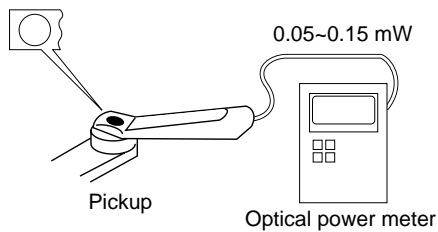
ADJUSTMENT

CD player adjustment

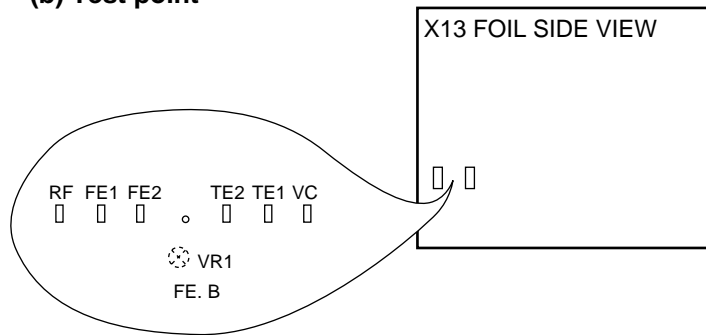
No.	ITEM	INPUT SETTING	OUTPUT SETTING	PLAYER SETTING	ALIGNMENT POINT	ALIGN FOR	FIG.
Step 1,2 are in TEST MODE TEST MODE : While pressing the [CD PALY] key, plug the AC power cord into the AC power wall outlet.							
1	LASER POWER	-	Set the sensor section of the optical power meter on the pickup lens.	Press the "PLAY" key to check that the display is "03".	-	On the power from 0.05 to 0.15mw. when the diffraction grating is correctly aligned with the RF level of 0.8Vp-p or more	(a)
2	FOCUS ERROR BIAS	Test disc Type 4	Connect an oscilloscope as follows. CH1 : RF CH2 : FE1 GND : VC	Press the "PLAY" key. Confirm that the display is "05"	FE BIAS VR1	Optimum eye pattern (DC=±330mV)	(b) (d)

Note:
 Type 4disc :SONY YEDS-18 Test Disc or equivalent. (KTD-02)
 LPF : Around 47kΩ + 390pF or so.

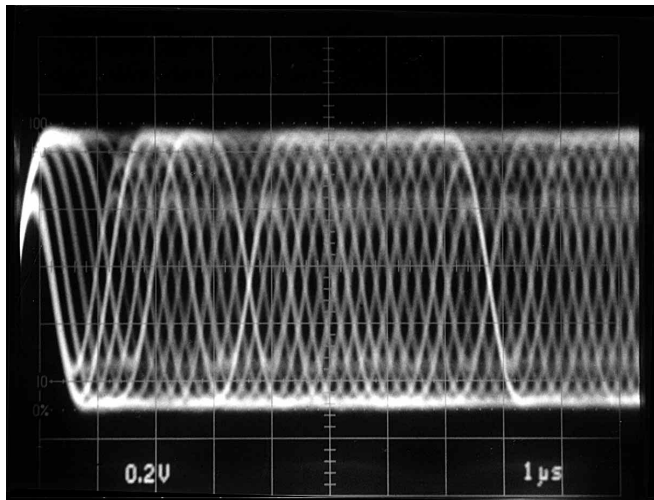
(a) Laser Power



(b) Test point



(d) RF signal AC coupled

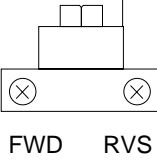


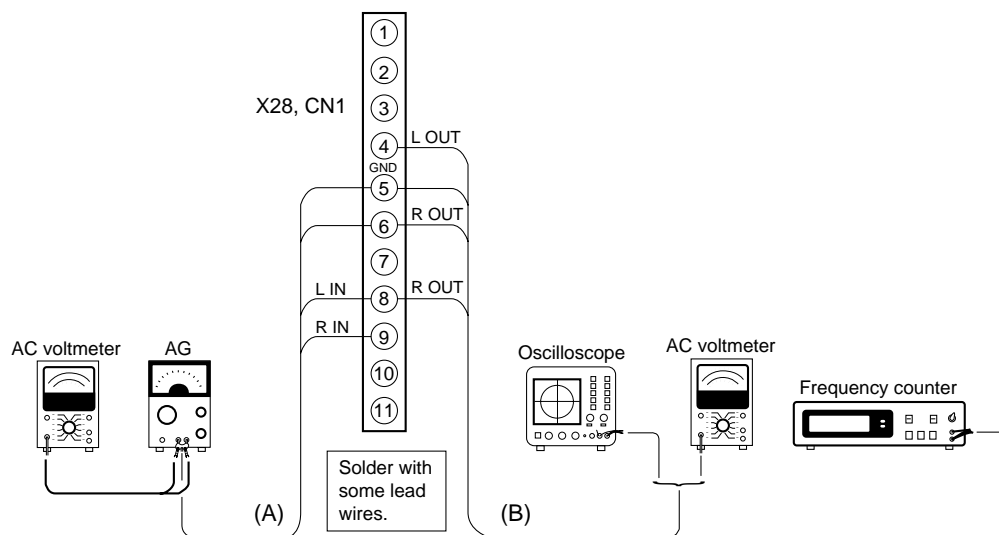
RF signal in test mode (PLAY).
 Perform the tangential and focusing offset are focused into one point on the display. The crossing points above and below the center shall also be looked clearly.

RXD-652/702/752/772S/852/A81/A601/A701

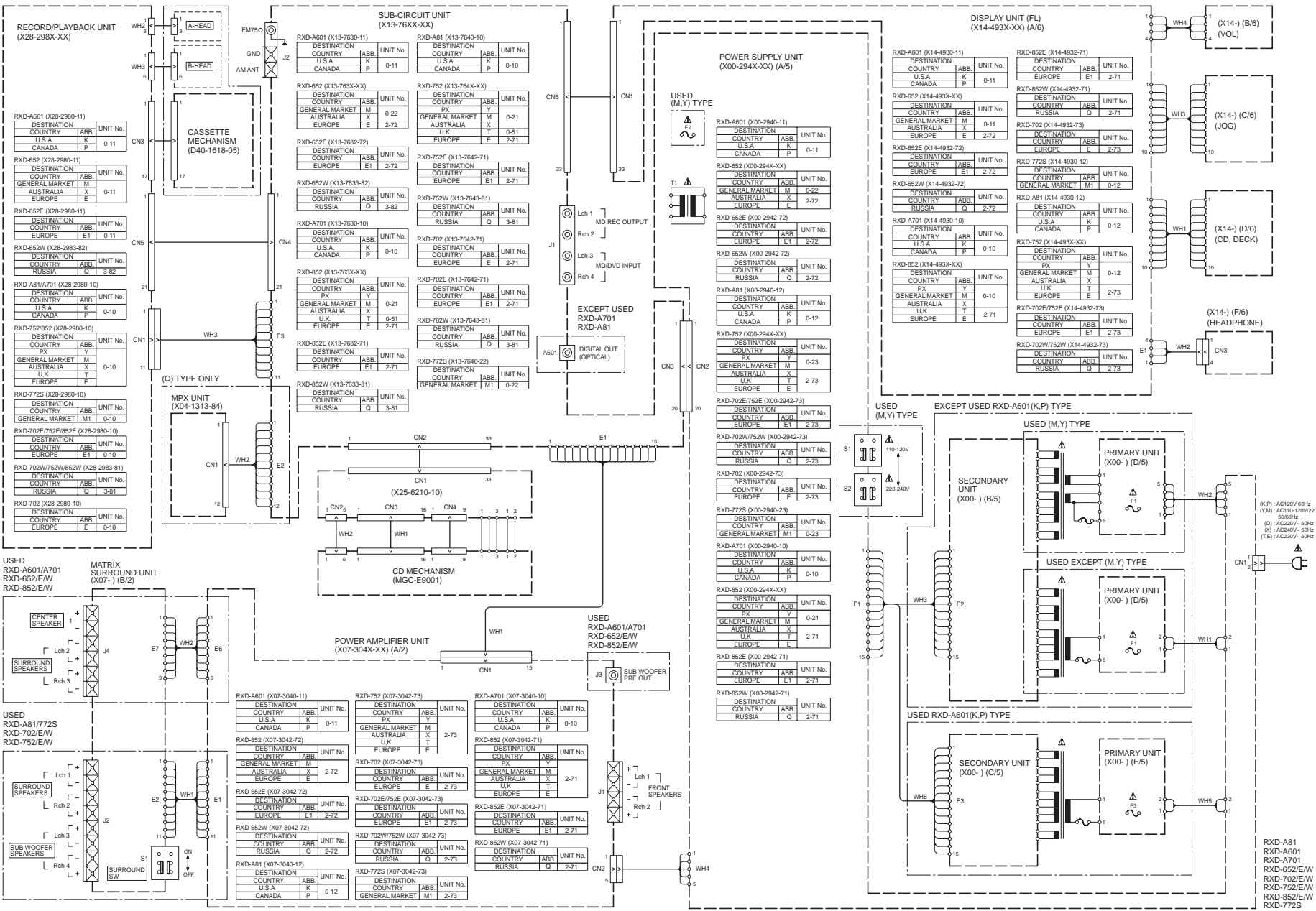
ADJUSTMENT

Cassette Deck adjustment

No	ITEM	INPUT SETTING	OUTPUT SETTING	DECK SETTING	ALIGNMENT POINT	ALIGN FOR	FIG.
Unless otherwise specified, set the respective switches as follows: TAPE : NORMAL DOLBY : OFF PLAY OUT : Lch (X28,CN6④pin), Rch (X28,CN6⑥pin) I . Cassette mechanism unit (Adjustment of the REC / PLAY head)							0dBs=0.775V
① r	Demagnetization and cleaning	\	\	Demagnetization: POWER OFF Cleaning: PLAY	Recording head, erase head, capstan pinch roller	Demagnetize the REC / PLAY head with the head eraser. Clean the REC / PLAY head, erase head, capstan and pinch roller using a cotton swab slightly damped with alcohol.	
② r	Azimuth of the REC/PLAY head	TCC-153 MTT-114 10kHz, -10dB	iB j	PLAY	 FWD RVS	Adjust the output to maximum and adjust the azimuth adjustment screw for the Lissajours waveform pattern of the oscilloscope to become close to a 45° straight line.	
II . PC BOARD ADJUSTMENT							
① r	TAPE SPEED(NORMAL)	TCC-110 MTT-111 SCC-1727 3kHz	iB j	PLAY	A/B DECK VR 5	Adjust the tape speed so that 3kHz is obtained at the center of the tape.	
III . PC BOARD ADJUSTMENT							
① r	PLAYBACK LEVEL	MTT-256U, TCC-160 315Hz, 0dB	iB j	PLAY	A DECK VR 1 (L) VR 2 (R) B DECK VR 7 (L) VR 8 (R)	Adjust the playback output to -6.0dBs	
② r	BIAS CURRENT	(A) Adjust the AG for the output of the DECK to become 1kHz(-30dBs)/10kHz(-30dBs).	iB j	Adjust the REC VR level so that the line out is -2.6dBs at 1kHz, and record and playback 1kHz/10kHz alternately.	VR 3 (L) VR 4 (R)	Record 1kHz and 10kHz alternately, and adjust the bias current adjustment potentiometer for the playback levels to become the same.	



WIRING DIAGRAM



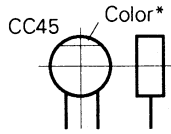
RXD-A81
 RXD-A601
 RXD-A701
 RXD-652/E/W
 RXD-702/E/W
 RXD-752/E/W
 RXD-852/E/W
 RXD-772S

PARTS DESCRIPTIONS

CAPACITORS

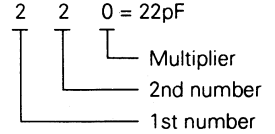
CC 45 TH 1H 220 J
 1 2 3 4 5 6

- 1 = Type ... ceramic, electrolytic, etc.
- 2 = Shape ... round, square, ect.
- 3 = Temp. coefficient
- 4 = Voltage rating
- 5 = Value
- 6 = Tolerance



• Capacitor value

- 010 = 1pF
- 100 = 10pF
- 101 = 100pF
- 102 = 1000pF = 0.001μF
- 103 = 0.01μF



• Temperature coefficient

1st Word	C	L	P	R	S	T	U
Color*	Black	Red	Orange	Yellow	Green	Blue	Violet
ppm/°C	0	-80	-150	-220	-330	-470	-750

2nd Word	G	H	J	K	L
ppm/°C	±30	±60	±120	±250	±500

Example : CC45TH = -470 ± 60ppm/°C

• Tolerance (More than 10pF)

Code	C	D	G	J	K	M	X	Z	P	No code
(%)	±0.25	±0.5	±2	±5	±10	±20	+40 -20	+80 -20	+100 -0	More than 10μF -10 ~ +50 Less than 4.7μF -10 ~ +75

(Less than 10pF)

Code	B	C	D	F	G
(pF)	±0.1	±0.25	±0.5	±1	±2

• Voltage rating

2nd word \ 1st word	A	B	C	D	E	F	G	H	J	K	V
0	1.0	1.25	1.6	2.0	2.5	3.15	4.0	5.0	6.3	8.0	-
1	10	12.5	16	20	25	31.5	40	50	63	80	35
2	100	125	160	200	250	315	400	500	630	800	-
3	1000	1250	1600	2000	2500	3150	4000	5000	6300	8000	-

• Chip capacitors

(EX) C C 7 3 F S L 1 H 0 0 0 J
 1 2 3 4 5 6 7

(Chip) (CH, RH, UJ, SL)

(EX) C K 7 3 F F 1 H 0 0 0 Z
 1 2 3 4 5 6 7

(Chip) (B, F)

Refer to the table above.

- 1 = Type
- 2 = Shape
- 3 = Dimension
- 4 = Temp. coefficient
- 5 = Voltage rating
- 6 = Value
- 7 = Tolerance

Dimension (Chip capacitors)

Dimension code	L	W	T
Empty	5.6 ± 0.5	5.0 ± 0.5	Less than 2.0
A	4.5 ± 0.5	3.2 ± 0.4	Less than 2.0
B	4.5 ± 0.5	2.0 ± 0.3	Less than 2.0
C	4.5 ± 0.5	1.25 ± 0.2	Less than 1.25
D	3.2 ± 0.4	2.5 ± 0.3	Less than 1.5
E	3.2 ± 0.2	1.6 ± 0.2	Less than 1.25
F	2.0 ± 0.3	1.25 ± 0.2	Less than 1.25
G	1.6 ± 0.2	0.8 ± 0.2	Less than 1.0

RESISTORS

• Chip resistor (Carbon)

(EX) R K 7 3 E B 2 B 0 0 0 J
 1 2 3 4 5 6 7

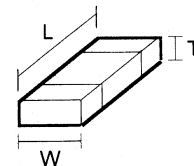
(Chip) (B,F)

• Carbon resistor (Normal type)

(EX) R D 1 4 B B 2 C 0 0 0 J
 1 2 3 4 5 6 7

- 1 = Type
- 2 = Shape
- 3 = Dimension
- 4 = Temp. coefficient
- 5 = Rating wattage
- 6 = Value
- 7 = Tolerance

Dimension



Dimension (Chip resistor)

Dimension code	L	W	T
E	3.2 ± 0.2	1.6 ± 0.2	1.0
F	2.0 ± 0.3	1.25 ± 0.2	1.0
G	1.6 ± 0.2	0.8 ± 0.2	0.5 ± 0.1

Rating wattage

Code	Wattage	Code	Wattage	Code	Wattage
1J	1/16W	2C	1/6W	3A	1W
2A	1/10W	2E	1/4W	3D	2W
2B	1/8W	2H	1/2W		

PC BOARD(Component side view)

1

2

3

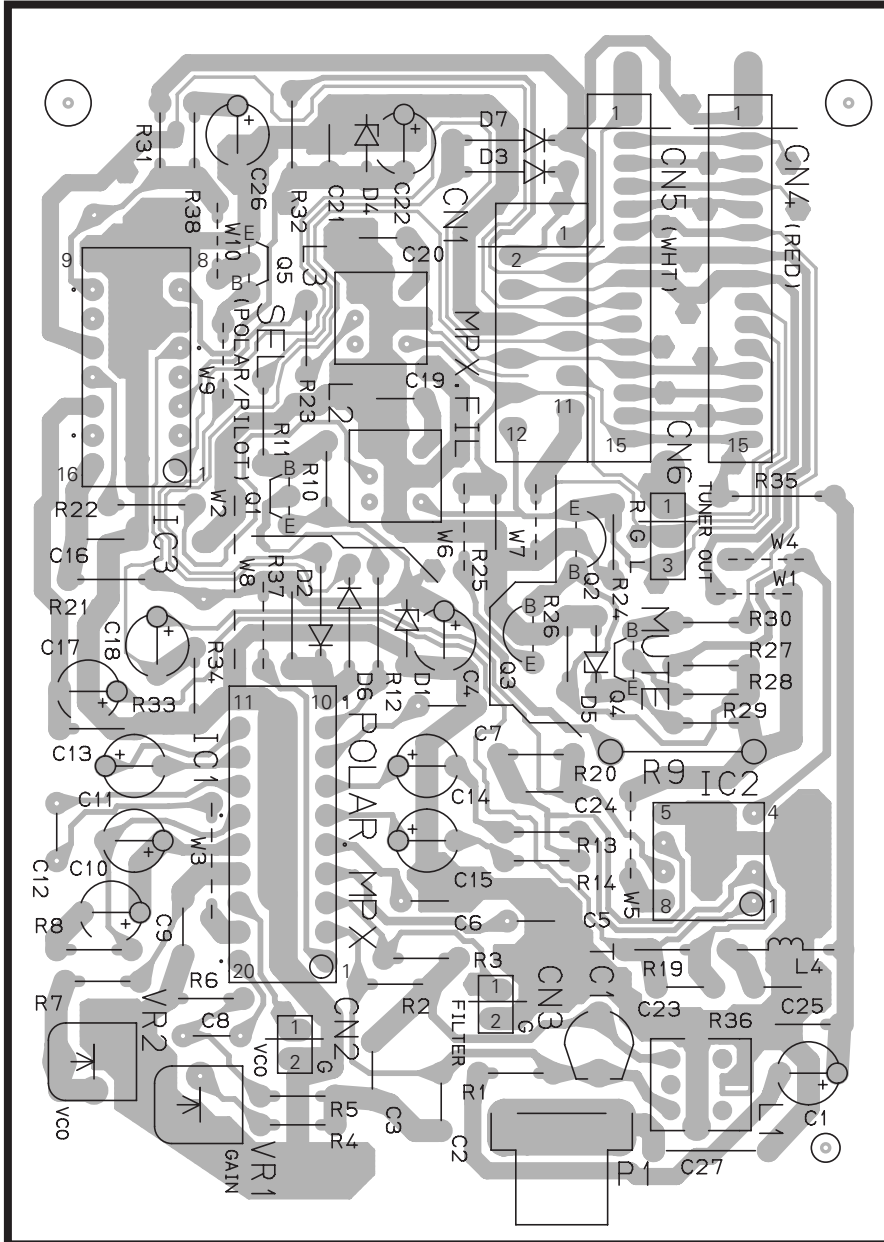
4

5

6

7

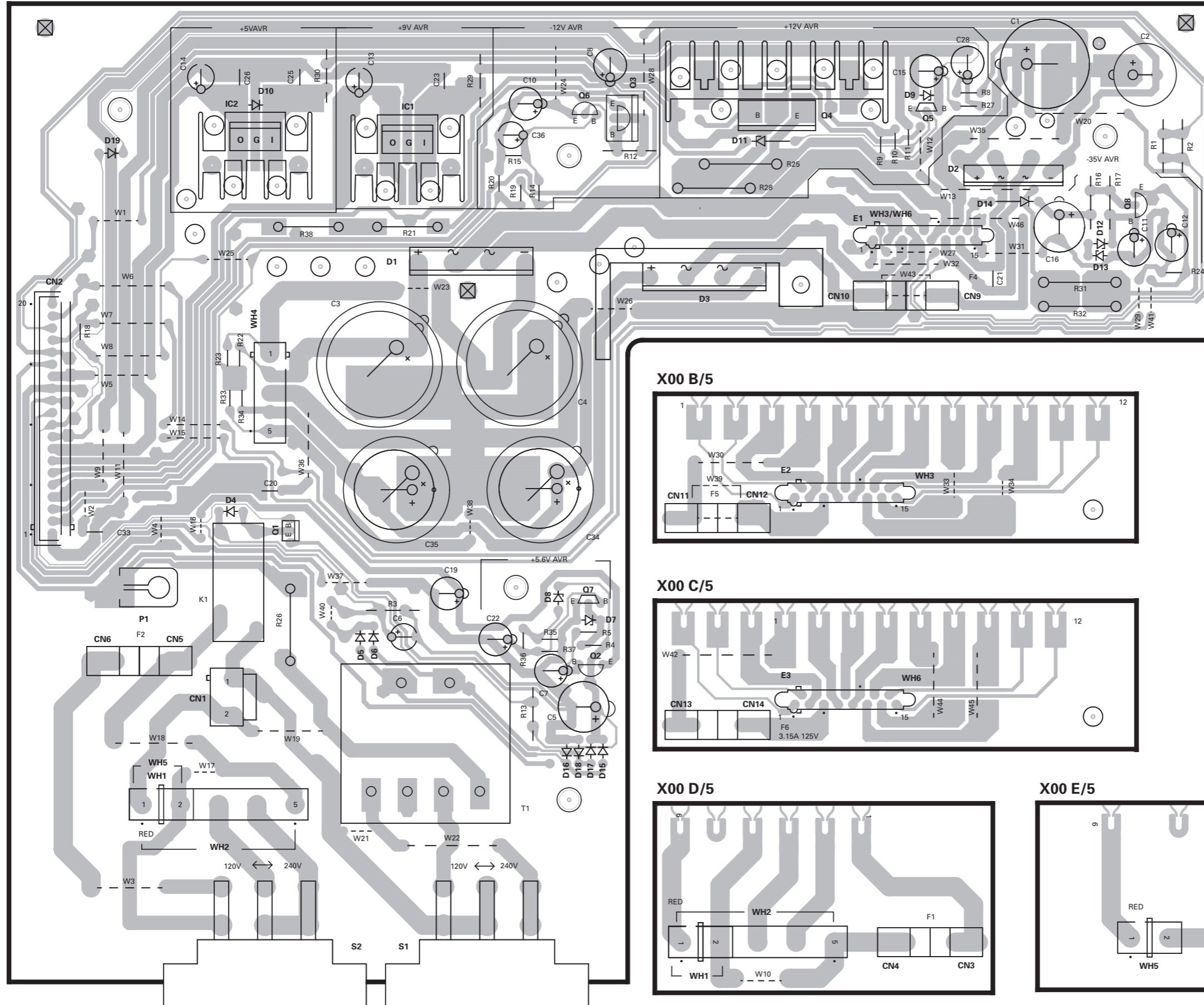
MPX UNIT X04-1313-8X



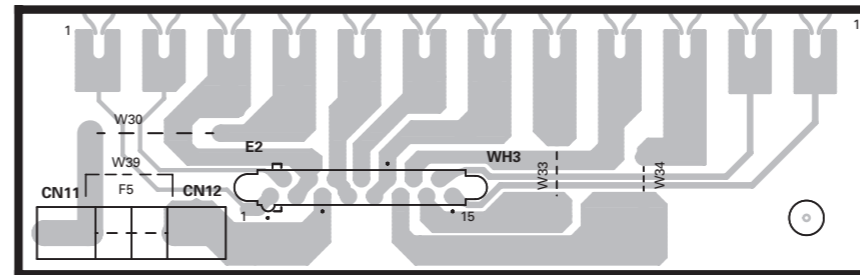
Refer to the schematic diagram for the value of resistors and capacitors.

PC BOARD(Component side view)

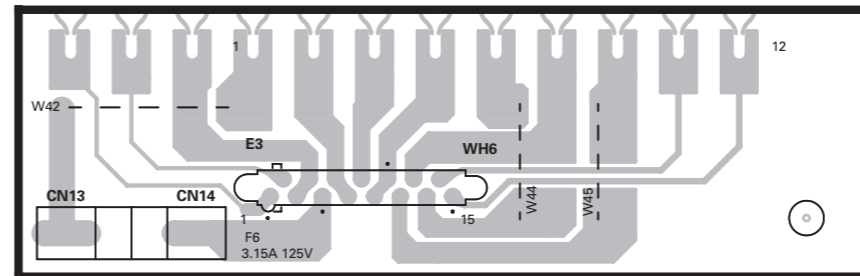
POWER SUPPLY UNIT
X00-2940-10 A/5 (J70-1298-11)



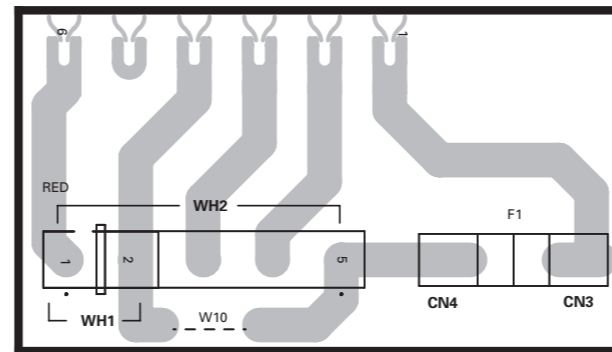
X00 B/5



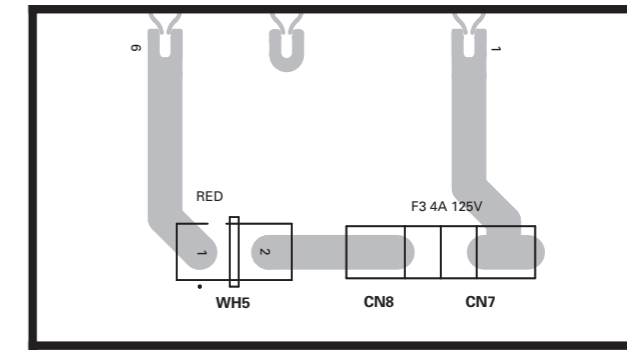
X00 C/5



X00 D/5



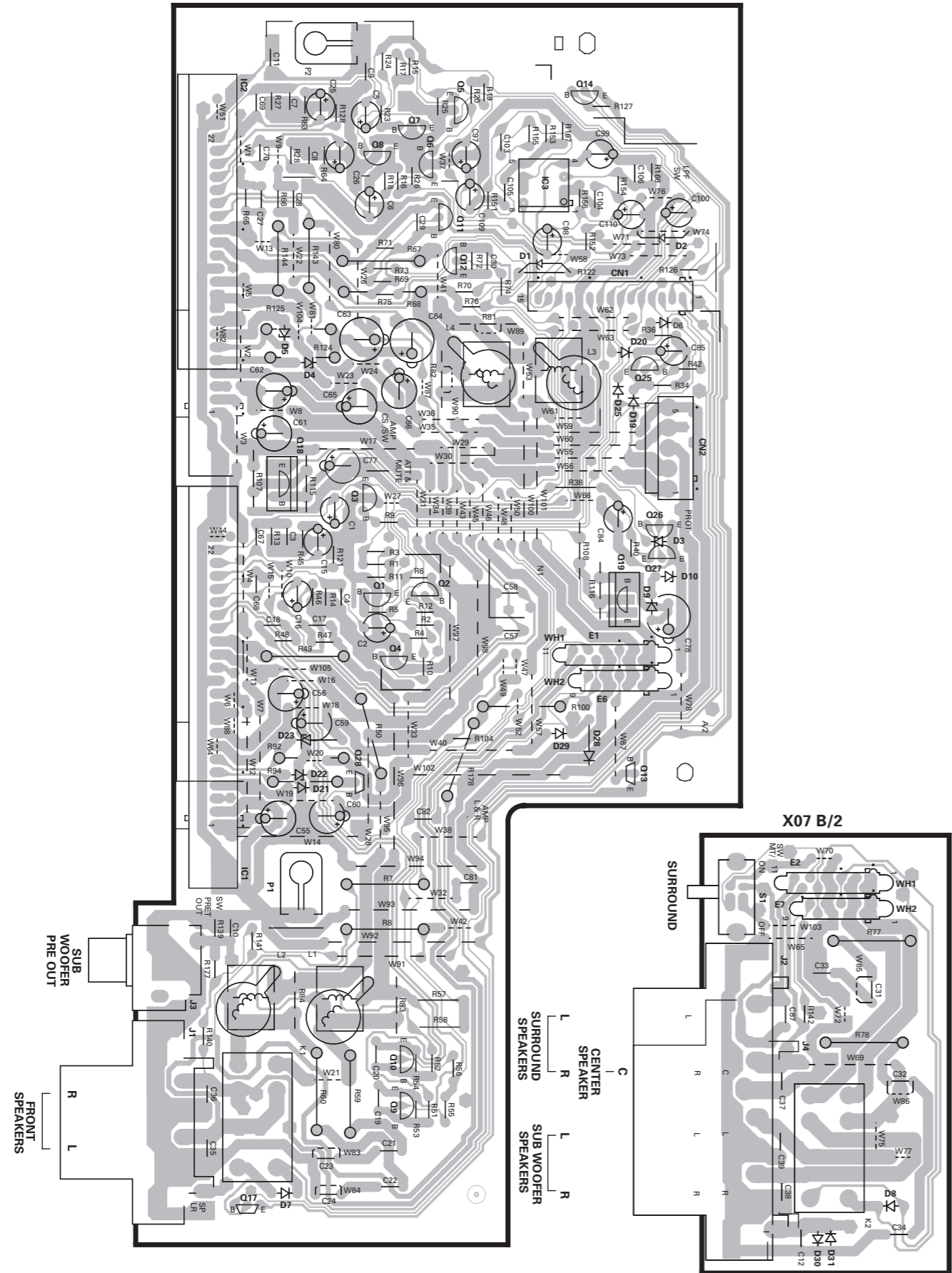
X00 E/5



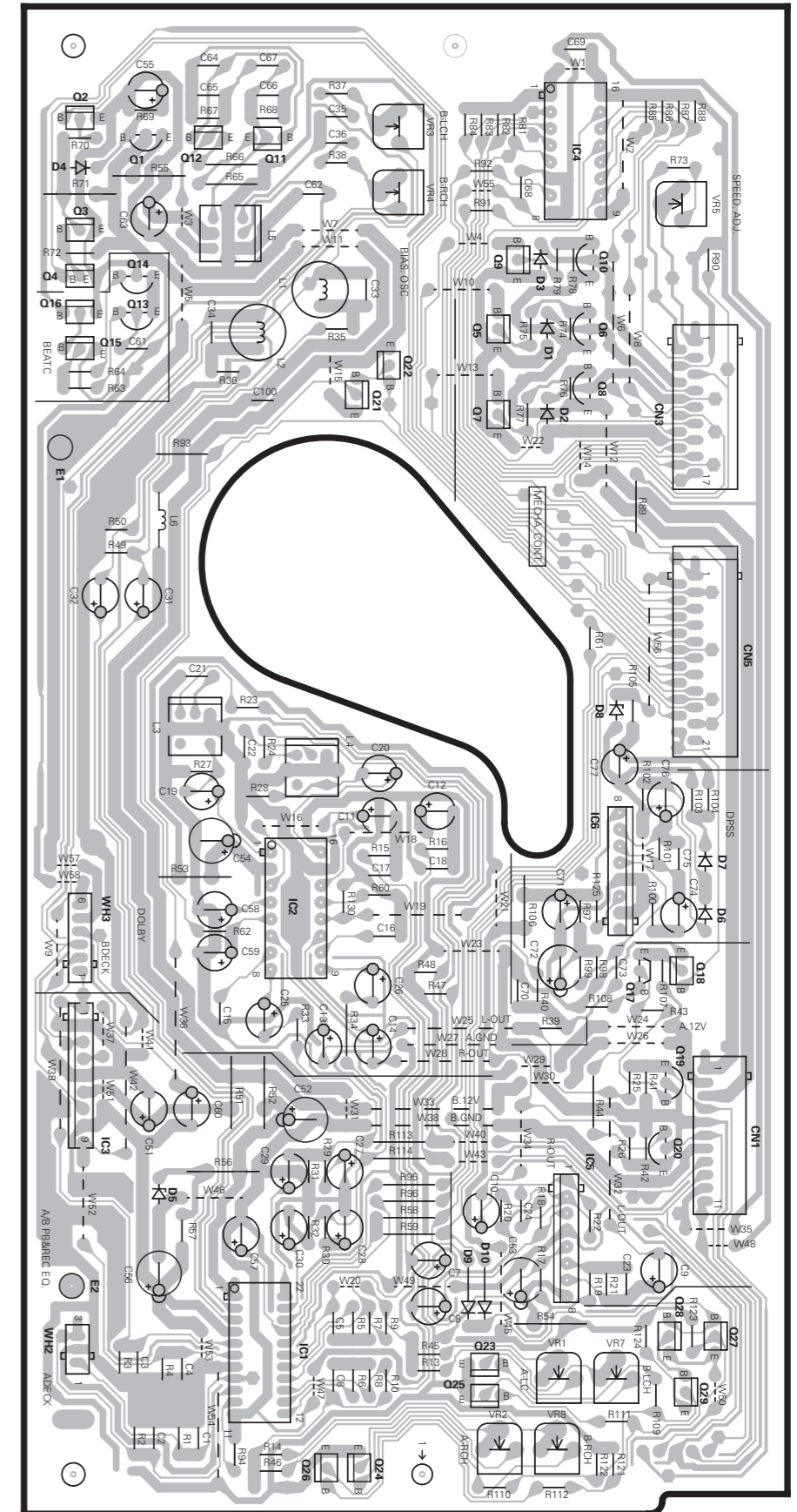
Refer to the schematic diagram for the value of resistors and capacitors.

PC BOARD(Component side view)

POWER AMPLIFIER UNIT X07-3040-10 A/2 (J70-1300-11)

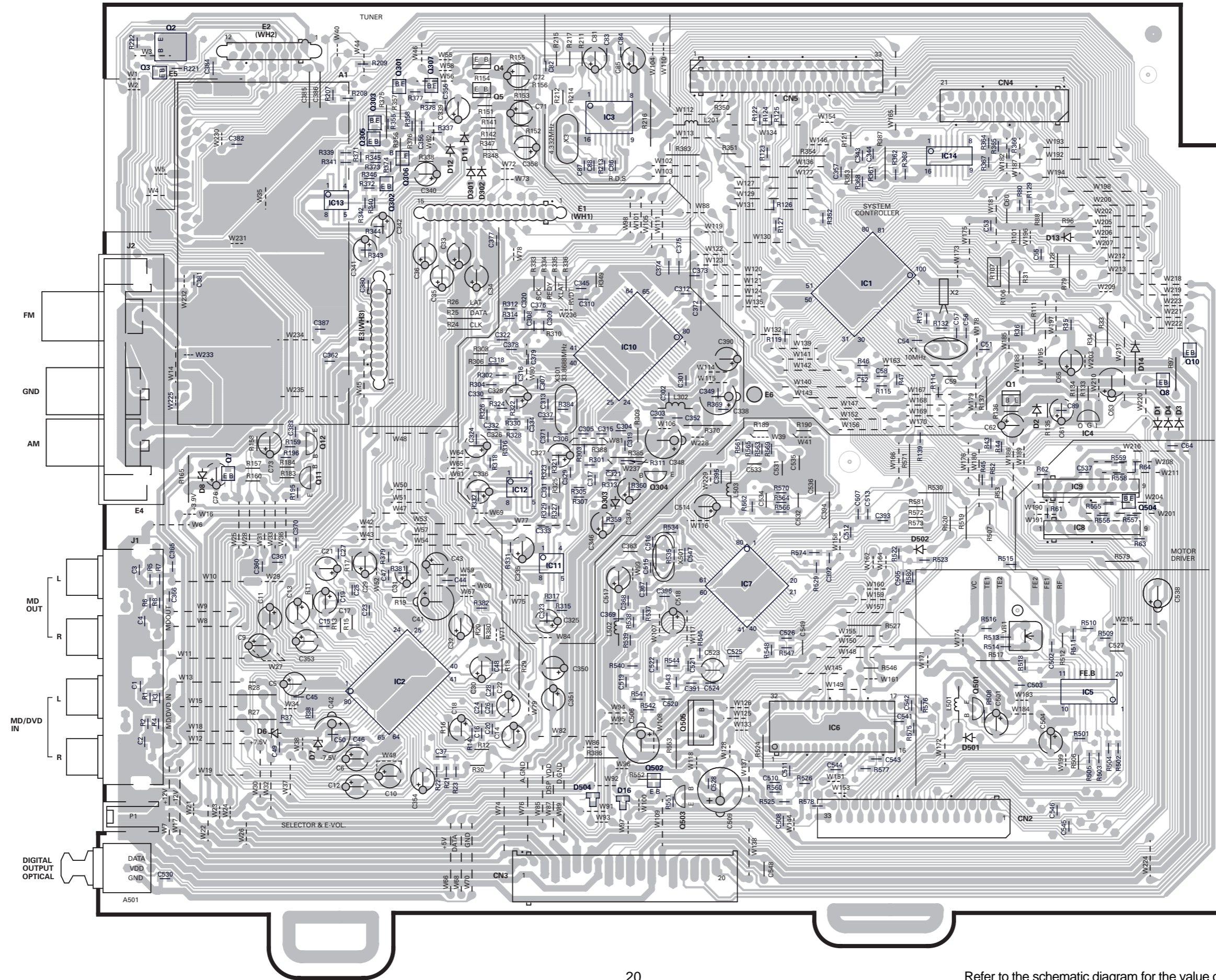


RECORD/PLAYBACK UNIT X28-298X-XX



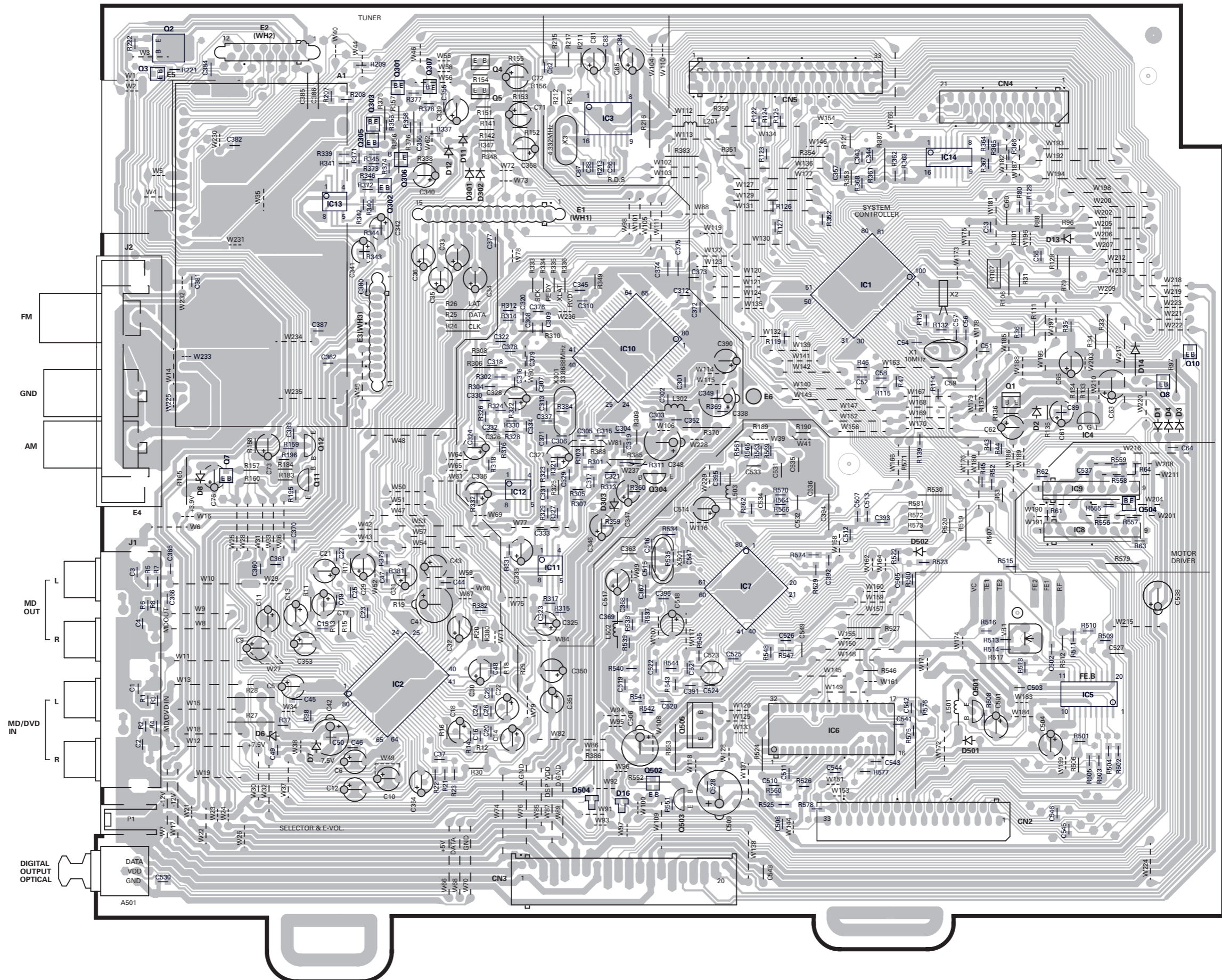
PC BOARD(Component side view) SUB-CIRCUIT UNIT

X13-7630-10 (J70-1294-11)



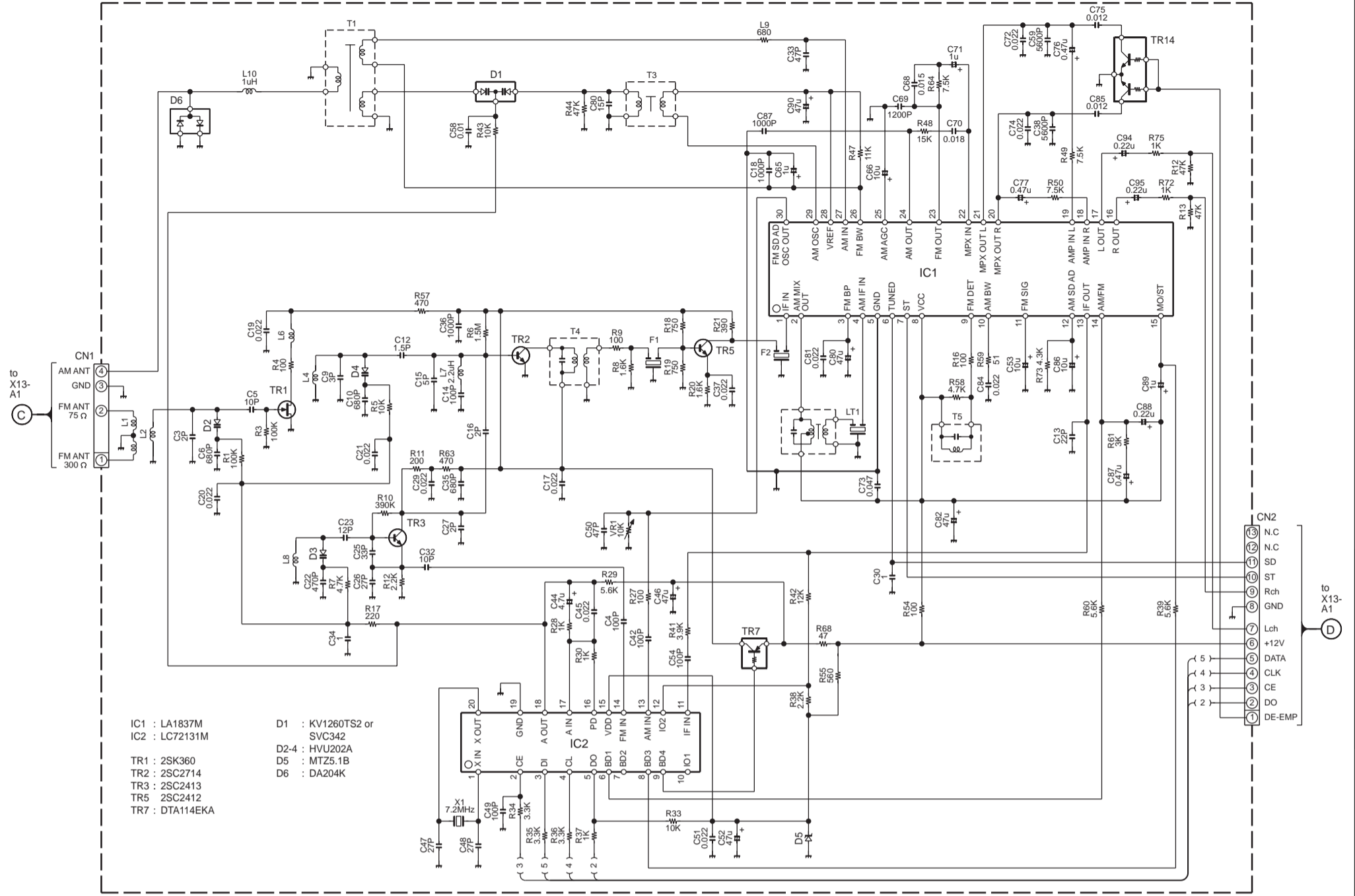
PC BOARD(Component side view) SUB-CIRCUIT UNIT

X13-7640-10 (J70-1295-11)

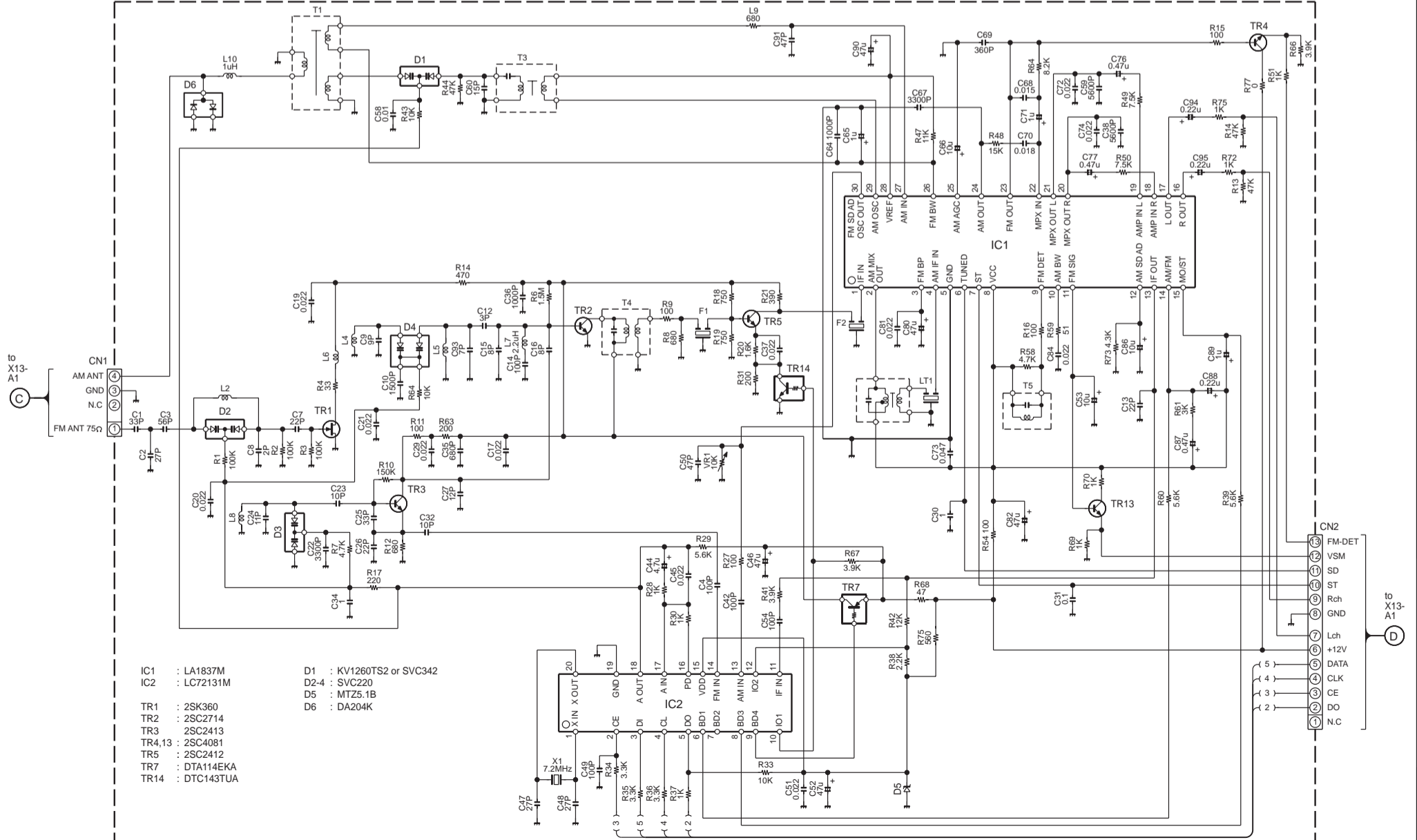


1
2
3
4
5
6
7

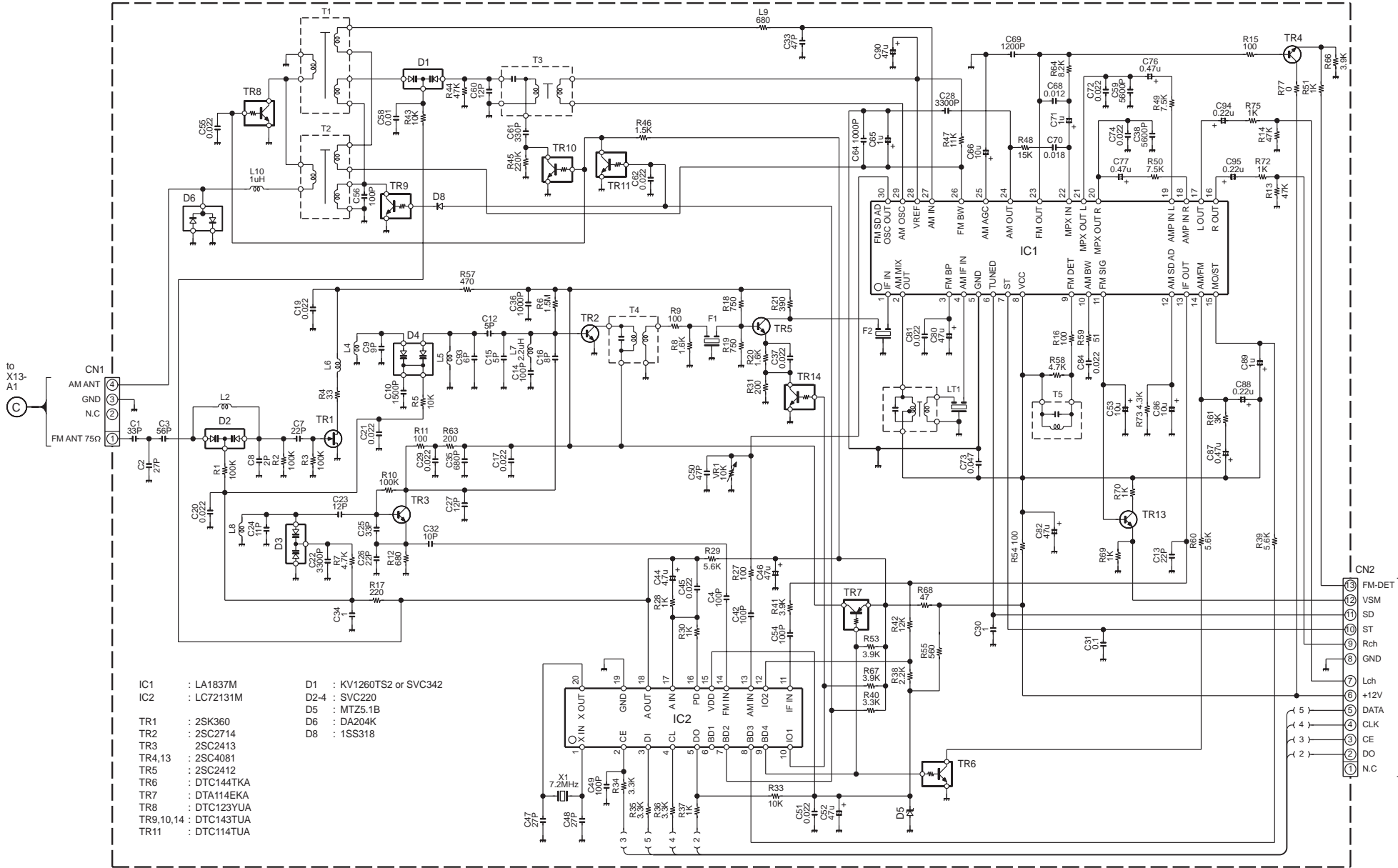
TUNER PACK
(W02-2673-05) : (K,P)TYPE



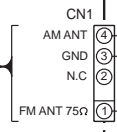
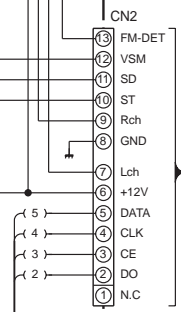
TUNER PACK
(W02-2674-05) : (E)TYPE



TUNER PACK
(W02-2685-05) : (T)TYPE

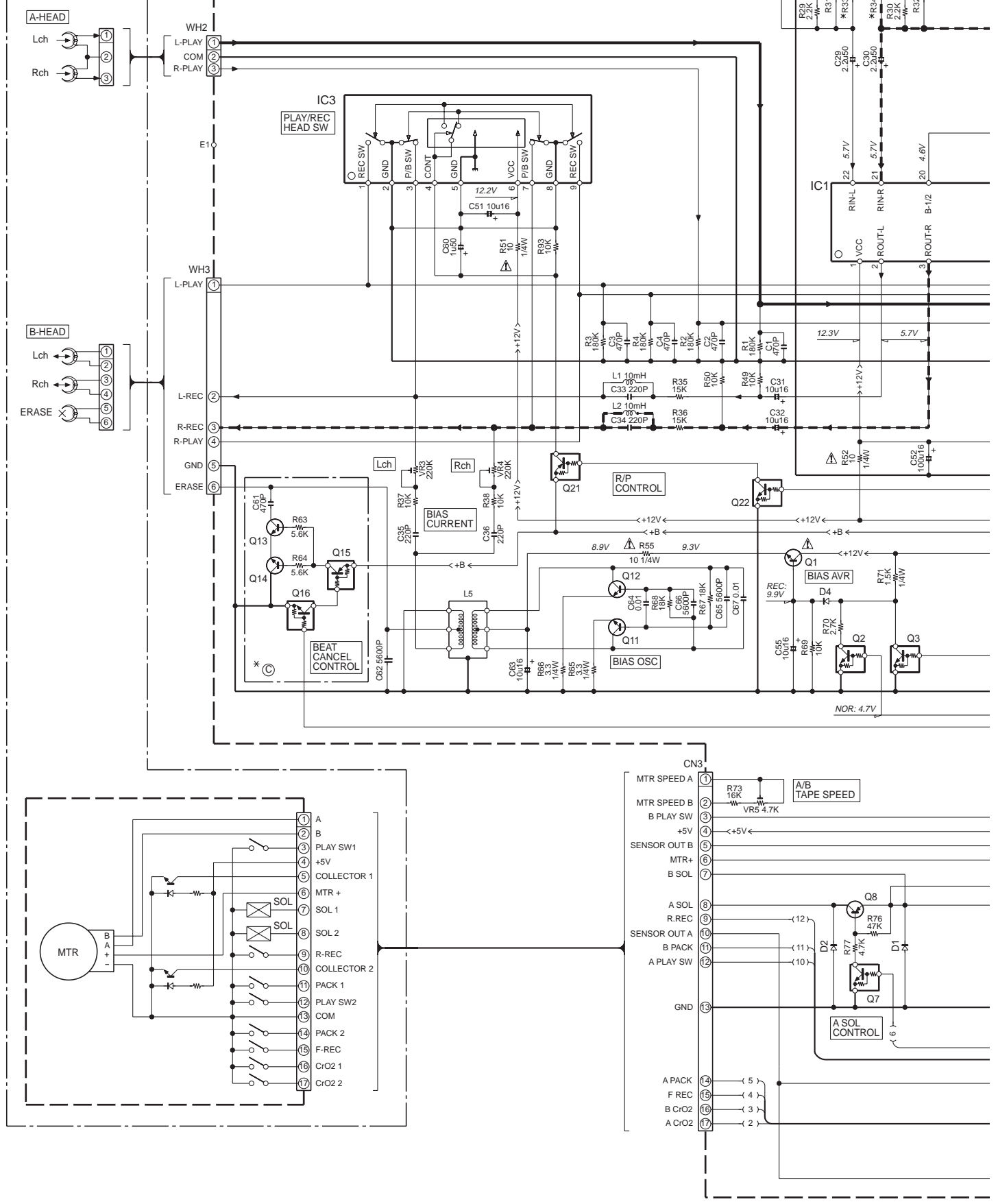


- | | | | |
|-----------|-------------|------|-----------------------|
| IC1 | : LA1837M | D1 | : KV1260TS2 or SVC342 |
| IC2 | : LC72131M | D2-4 | : SVC220 |
| TR1 | : 2SK360 | D5 | : MTZ5.1B |
| TR2 | : 2SC2714 | D6 | : DA204K |
| TR3 | : 2SC2413 | D8 | : 1SS318 |
| TR4,13 | : 2SC4081 | | |
| TR5 | : 2SC2412 | | |
| TR6 | : DTC144TKA | | |
| TR7 | : DTA114EKA | | |
| TR8 | : DTC123YUA | | |
| TR9,10,14 | : DTC143TUA | | |
| TR11 | : DTC114TUA | | |



RECORD/PLAYBACK UNIT (X28-298X-XX)

CASSETTE MECHANISM (D40-1618-05)



Q23,24,28,29
A PB VR
ON/OFF CONTROL

Q25-27
B PB VR
ON/OFF CONTROL

A/B TAPE SPEED
R73 16K
VR5 4.7K

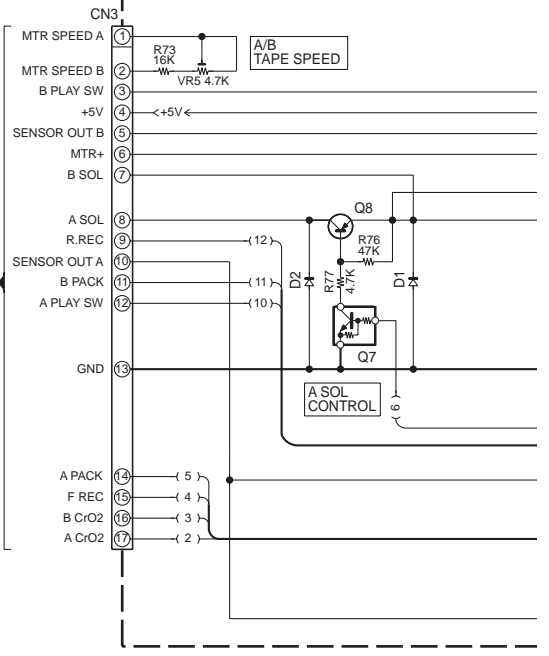
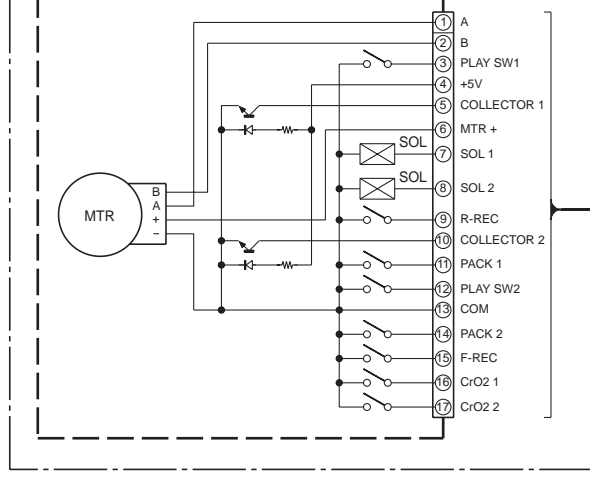
A SOL CONTROL
Q8
R76 47K
Q7
R77 4.7K

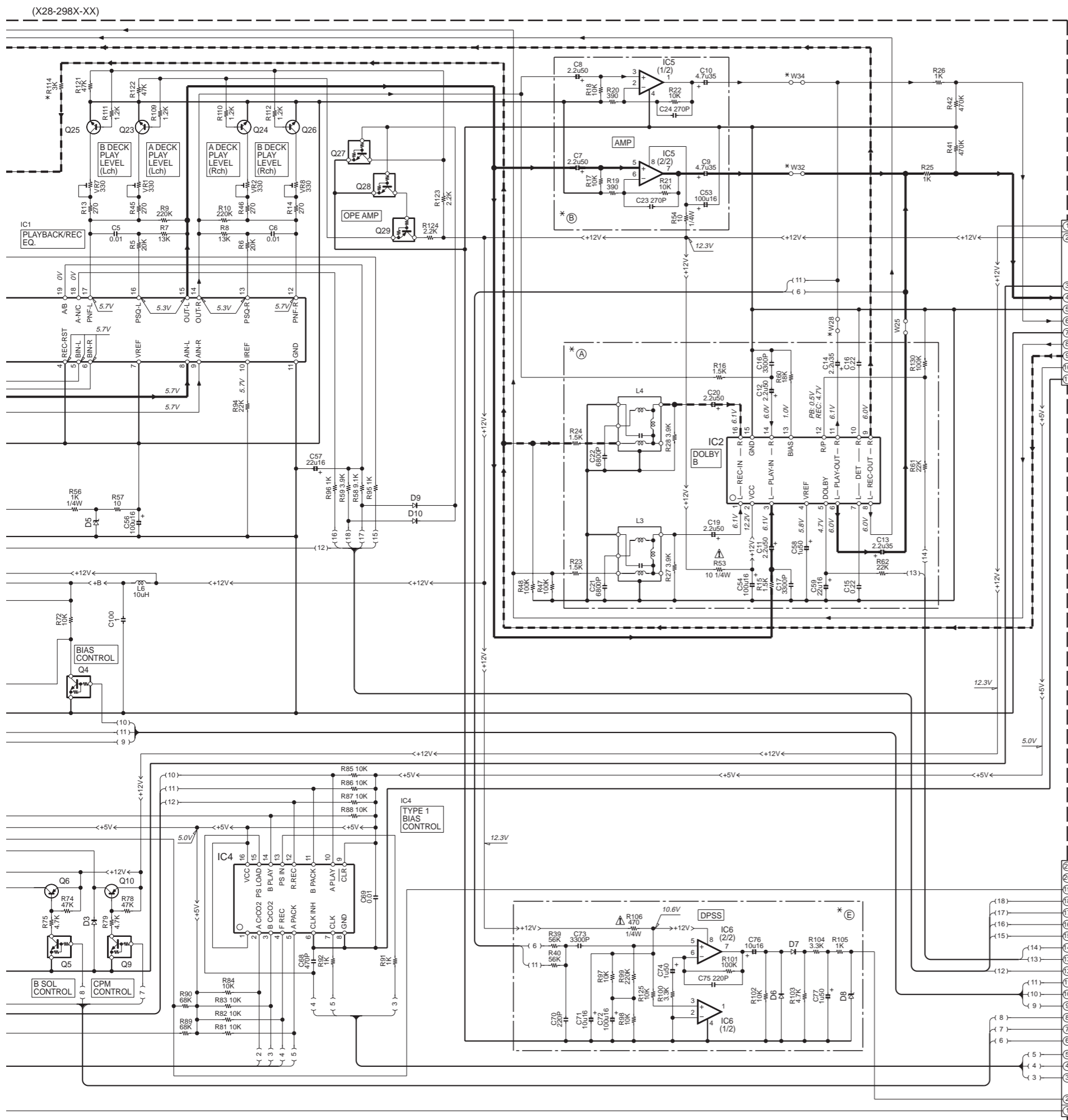
BIAS AVR
Q1
R71 15K
1/4W

BIAS OSC
Q11
R67 18K
R68 5.6K
C64 0.01
C65 0.01
C66 0.01
C67 0.01

R/P CONTROL
Q21

BIAS CURRENT
Q13
Q14
Q15
Q16
R63 5.6K
R64 5.6K
R65 1/4W
R66 3.3K
R67 18K
R68 5.6K
R69 1/4W
R70 1/4W
R71 15K
R72 1/4W
R73 16K
R74 1/4W
R75 4.7K
R76 47K
R77 4.7K
R78 1/4W
R79 1/4W
R80 10K
R81 10K
R82 10K
R83 180K
R84 5.6K
R85 1/4W
R86 3.3K
R87 10K
R88 10K
R89 1/4W
R90 1/4W
R91 1/4W
R92 1/4W
R93 10K
R94 10K
R95 1/4W
R96 1/4W
R97 10K
R98 10K
R99 10K
R100 10K
R101 10K
R102 10K
R103 10K
R104 10K
R105 10K
R106 10K
R107 10K
R108 10K
R109 10K
R110 10K
R111 10K
R112 10K
R113 10K
R114 10K
R115 10K
R116 10K
R117 10K
R118 10K
R119 10K
R120 10K
R121 10K
R122 10K
R123 10K
R124 10K
R125 10K
R126 10K
R127 10K
R128 10K
R129 10K
R130 10K
R131 10K
R132 10K
R133 10K
R134 10K
R135 10K
R136 10K
R137 10K
R138 10K
R139 10K
R140 10K
R141 10K
R142 10K
R143 10K
R144 10K
R145 10K
R146 10K
R147 10K
R148 10K
R149 10K
R150 10K
R151 10K
R152 10K
R153 10K
R154 10K
R155 10K
R156 10K
R157 10K
R158 10K
R159 10K
R160 10K
R161 10K
R162 10K
R163 10K
R164 10K
R165 10K
R166 10K
R167 10K
R168 10K
R169 10K
R170 10K
R171 10K
R172 10K
R173 10K
R174 10K
R175 10K
R176 10K
R177 10K
R178 10K
R179 10K
R180 10K
R181 10K
R182 10K
R183 10K
R184 10K
R185 10K
R186 10K
R187 10K
R188 10K
R189 10K
R190 10K
R191 10K
R192 10K
R193 10K
R194 10K
R195 10K
R196 10K
R197 10K
R198 10K
R199 10K
R200 10K
R201 10K
R202 10K
R203 10K
R204 10K
R205 10K
R206 10K
R207 10K
R208 10K
R209 10K
R210 10K
R211 10K
R212 10K
R213 10K
R214 10K
R215 10K
R216 10K
R217 10K
R218 10K
R219 10K
R220 10K
R221 10K
R222 10K
R223 10K
R224 10K
R225 10K
R226 10K
R227 10K
R228 10K
R229 10K
R230 10K
R231 10K
R232 10K
R233 10K
R234 10K
R235 10K
R236 10K
R237 10K
R238 10K
R239 10K
R240 10K
R241 10K
R242 10K
R243 10K
R244 10K
R245 10K
R246 10K
R247 10K
R248 10K
R249 10K
R250 10K
R251 10K
R252 10K
R253 10K
R254 10K
R255 10K
R256 10K
R257 10K
R258 10K
R259 10K
R260 10K
R261 10K
R262 10K
R263 10K
R264 10K
R265 10K
R266 10K
R267 10K
R268 10K
R269 10K
R270 10K
R271 10K
R272 10K
R273 10K
R274 10K
R275 10K
R276 10K
R277 10K
R278 10K
R279 10K
R280 10K
R281 10K
R282 10K
R283 10K
R284 10K
R285 10K
R286 10K
R287 10K
R288 10K
R289 10K
R290 10K
R291 10K
R292 10K
R293 10K
R294 10K
R295 10K
R296 10K
R297 10K
R298 10K
R299 10K
R300 10K
R301 10K
R302 10K
R303 10K
R304 10K
R305 10K
R306 10K
R307 10K
R308 10K
R309 10K
R310 10K
R311 10K
R312 10K
R313 10K
R314 10K
R315 10K
R316 10K
R317 10K
R318 10K
R319 10K
R320 10K
R321 10K
R322 10K
R323 10K
R324 10K
R325 10K
R326 10K
R327 10K
R328 10K
R329 10K
R330 10K
R331 10K
R332 10K
R333 10K
R334 10K
R335 10K
R336 10K
R337 10K
R338 10K
R339 10K
R340 10K
R341 10K
R342 10K
R343 10K
R344 10K
R345 10K
R346 10K
R347 10K
R348 10K
R349 10K
R350 10K
R351 10K
R352 10K
R353 10K
R354 10K
R355 10K
R356 10K
R357 10K
R358 10K
R359 10K
R360 10K
R361 10K
R362 10K
R363 10K
R364 10K
R365 10K
R366 10K
R367 10K
R368 10K
R369 10K
R370 10K
R371 10K
R372 10K
R373 10K
R374 10K
R375 10K
R376 10K
R377 10K
R378 10K
R379 10K
R380 10K
R381 10K
R382 10K
R383 10K
R384 10K
R385 10K
R386 10K
R387 10K
R388 10K
R389 10K
R390 10K
R391 10K
R392 10K
R393 10K
R394 10K
R395 10K
R396 10K
R397 10K
R398 10K
R399 10K
R400 10K
R401 10K
R402 10K
R403 10K
R404 10K
R405 10K
R406 10K
R407 10K
R408 10K
R409 10K
R410 10K
R411 10K
R412 10K
R413 10K
R414 10K
R415 10K
R416 10K
R417 10K
R418 10K
R419 10K
R420 10K
R421 10K
R422 10K
R423 10K
R424 10K
R425 10K
R426 10K
R427 10K
R428 10K
R429 10K
R430 10K
R431 10K
R432 10K
R433 10K
R434 10K
R435 10K
R436 10K
R437 10K
R438 10K
R439 10K
R440 10K
R441 10K
R442 10K
R443 10K
R444 10K
R445 10K
R446 10K
R447 10K
R448 10K
R449 10K
R450 10K
R451 10K
R452 10K
R453 10K
R454 10K
R455 10K
R456 10K
R457 10K
R458 10K
R459 10K
R460 10K
R461 10K
R462 10K
R463 10K
R464 10K
R465 10K
R466 10K
R467 10K
R468 10K
R469 10K
R470 10K
R471 10K
R472 10K
R473 10K
R474 10K
R475 10K
R476 10K
R477 10K
R478 10K
R479 10K
R480 10K
R481 10K
R482 10K
R483 10K
R484 10K
R485 10K
R486 10K
R487 10K
R488 10K
R489 10K
R490 10K
R491 10K
R492 10K
R493 10K
R494 10K
R495 10K
R496 10K
R497 10K
R498 10K
R499 10K
R500 10K
R501 10K
R502 10K
R503 10K
R504 10K
R505 10K
R506 10K
R507 10K
R508 10K
R509 10K
R510 10K
R511 10K
R512 10K
R513 10K
R514 10K
R515 10K
R516 10K
R517 10K
R518 10K
R519 10K
R520 10K
R521 10K
R522 10K
R523 10K
R524 10K
R525 10K
R526 10K
R527 10K
R528 10K
R529 10K
R530 10K
R531 10K
R532 10K
R533 10K
R534 10K
R535 10K
R536 10K
R537 10K
R538 10K
R539 10K
R540 10K
R541 10K
R542 10K
R543 10K
R544 10K
R545 10K
R546 10K
R547 10K
R548 10K
R549 10K
R550 10K
R551 10K
R552 10K
R553 10K
R554 10K
R555 10K
R556 10K
R557 10K
R558 10K
R559 10K
R560 10K
R561 10K
R562 10K
R563 10K
R564 10K
R565 10K
R566 10K
R567 10K
R568 10K
R569 10K
R570 10K
R571 10K
R572 10K
R573 10K
R574 10K
R575 10K
R576 10K
R577 10K
R578 10K
R579 10K
R580 10K
R581 10K
R582 10K
R583 10K
R584 10K
R585 10K
R586 10K
R587 10K
R588 10K
R589 10K
R590 10K
R591 10K
R592 10K
R593 10K
R594 10K
R595 10K
R596 10K
R597 10K
R598 10K
R599 10K
R600 10K
R601 10K
R602 10K
R603 10K
R604 10K
R605 10K
R606 10K
R607 10K
R608 10K
R609 10K
R610 10K
R611 10K
R612 10K
R613 10K
R614 10K
R615 10K
R616 10K
R617 10K
R618 10K
R619 10K
R620 10K
R621 10K
R622 10K
R623 10K
R624 10K
R625 10K
R626 10K
R627 10K
R628 10K
R629 10K
R630 10K
R631 10K
R632 10K
R633 10K
R634 10K
R635 10K
R636 10K
R637 10K
R638 10K
R639 10K
R640 10K
R641 10K
R642 10K
R643 10K
R644 10K
R645 10K
R646 10K
R647 10K
R648 10K
R649 10K
R650 10K
R651 10K
R652 10K
R653 10K
R654 10K
R655 10K
R656 10K
R657 10K
R658 10K
R659 10K
R660 10K
R661 10K
R662 10K
R663 10K
R664 10K
R665 10K
R666 10K
R667 10K
R668 10K
R669 10K
R670 10K
R671 10K
R672 10K
R673 10K
R674 10K
R675 10K
R676 10K
R677 10K
R678 10K
R679 10K
R680 10K
R681 10K
R682 10K
R683 10K
R684 10K
R685 10K
R686 10K
R687 10K
R688 10K
R689 10K
R690 10K
R691 10K
R692 10K
R693 10K
R694 10K
R695 10K
R696 10K
R697 10K
R698 10K
R699 10K
R700 10K
R701 10K
R702 10K
R703 10K
R704 10K
R705 10K
R706 10K
R707 10K
R708 10K
R709 10K
R710 10K
R711 10K
R712 10K
R713 10K
R714 10K
R715 10K
R716 10K
R717 10K
R718 10K
R719 10K
R720 10K
R721 10K
R722 10K
R723 10K
R724 10K
R725 10K
R726 10K
R727 10K
R728 10K
R729 10K
R730 10K
R731 10K
R732 10K
R733 10K
R734 10K
R735 10K
R736 10K
R737 10K
R738 10K
R739 10K
R740 10K
R741 10K
R742 10K
R743 10K
R744 10K
R745 10K
R746 10K
R747 10K
R748 10K
R749 10K
R750 10K
R751 10K
R752 10K
R753 10K
R754 10K
R755 10K
R756 10K
R757 10K
R758 10K
R759 10K
R760 10K
R761 10K
R762 10K
R763 10K
R764 10K
R765 10K
R766 10K
R767 10K
R768 10K
R769 10K
R770 10K
R771 10K
R772 10K
R773 10K
R774 10K
R775 10K
R776 10K
R777 10K
R778 10K
R779 10K
R780 10K
R781 10K
R782 10K
R783 10K
R784 10K
R785 10K
R786 10K
R787 10K
R788 10K
R789 10K
R790 10K
R791 10K
R792 10K
R793 10K
R794 10K
R795 10K
R796 10K
R797 10K
R798 10K
R799 10K
R800 10K
R801 10K
R802 10K
R803 10K
R804 10K
R805 10K
R806 10K
R807 10K
R808 10K
R809 10K
R810 10K
R811 10K
R812 10K
R813 10K
R814 10K
R815 10K
R816 10K
R817 10K
R818 10K
R819 10K
R820 10K
R821 10K
R822 10K
R823 10K
R824 10K
R825 10K
R826 10K
R827 10K
R828 10K
R829 10K
R830 10K
R831 10K
R832 10K
R833 10K
R834 10K
R835 10K
R836 10K
R837 10K
R838 10K
R839 10K
R840 10K
R841 10K
R842 10K
R843 10K
R844 10K
R845 10K
R846 10K
R847 10K
R848 10K
R849 10K
R850 10K
R851 10K
R852 10K
R853 10K
R854 10K
R855 10K
R856 10K
R857 10K
R858 10K
R859 10K
R860 10K
R861 10K
R862 10K
R863 10K
R864 10K
R865 10K
R866 10K
R867 10K
R868 10K
R869 10K
R870 10K
R871 10K
R872 10K
R873 10K
R874 10K
R875 10K
R876 10K
R877 10K
R878 10K
R879 10K
R880 10K
R881 10K
R882 10K
R883 10K
R884 10K
R885 10K
R886 10K
R887 10K
R888 10K
R889 10K
R890 10K
R891 10K
R892 10K
R893 10K
R894 10K
R895 10K
R896 10K
R897 10K
R898 10K
R899 10K
R900 10K
R901 10K
R902 10K
R903 10K
R904 10K
R905 10K
R906 10K
R907 10K
R908 10K
R909 10K
R910 10K
R911 10K
R912 10K
R913 10K
R914 10K
R915 10K
R916 10K
R917 10K
R918 10K
R919 10K
R920 10K
R921 10K
R922 10K
R923 10K
R924 10K
R925 10K
R926 10K
R927 10K
R928 10K
R929 10K
R930 10K
R931 10K
R932 10K
R933 10K
R934 10K
R935 10K
R936 10K
R937 10K
R938 10K
R939 10K
R940 10K
R941 10K
R942 10K
R943 10K
R944 10K
R945 10K
R946 10K
R947 10K
R948 10K
R949 10K
R950 10K
R951 10K
R952 10K
R953 10K
R954 10K
R955 10K
R956 10K
R957 10K
R958 10K
R959 10K
R960 10K
R961 10K
R962 10K
R963 10K
R964 10K
R965 10K
R966 10K
R967 10K
R968 10K
R969 10K
R970 10K
R971 10K
R972 10K
R973 10K
R974 10K
R975 10K
R976 10K
R977 10K
R978 10K
R979 10K
R980 10K
R981 10K
R982 10K
R983 10K
R984 10K
R985 10K
R986 10K
R987 10K
R988 10K
R989 10K
R990 10K
R991 10K
R992 10K
R993 10K
R994 10K
R995 10K
R996 10K
R997 10K
R998 10K
R999 10K
R1000 10K





RXD-A601 (X28-2980-11)

DESTINATION	COUNTRY	ABB.	UNIT No.	A	C	E	B	R33, 34	R113, 114	C25, 26	W16-19, 21, 25, 28	W32, 34
U.S.A.	K		0-11	NO	YES	NO	YES	NO	YES	NO	YES	NO
CANADA	P											

RXD-652 (X28-2980-11)

DESTINATION	COUNTRY	ABB.	UNIT No.	A	C	E	B	R33, 34	R113, 114	C25, 26	W16-19, 21, 25, 28	W32, 34
U.S.A.	K		0-11	NO	YES	NO	YES	NO	YES	NO	YES	NO
EUROPE	E											

RXD-652E (X28-2980-11)

DESTINATION	COUNTRY	ABB.	UNIT No.	A	C	E	B	R33, 34	R113, 114	C25, 26	W16-19, 21, 25, 28	W32, 34
EUROPE	E1		0-11	NO	YES	NO	YES	NO	YES	NO	YES	NO

RXD-652W (X28-2980-82)

DESTINATION	COUNTRY	ABB.	UNIT No.	A	C	E	B	R33, 34	R113, 114	C25, 26	W16-19, 21, 25, 28	W32, 34
RUSSIA	Q		3-82	NO	YES	NO	YES	NO	YES	NO	YES	NO

RXD-A81/A701 (X28-2980-10)

DESTINATION	COUNTRY	ABB.	UNIT No.	A	C	E	B	R33, 34	R113, 114	C25, 26	W16-19, 21, 25, 28	W32, 34
U.S.A.	K		0-10	YES	NO	YES	NO	YES	NO	YES	YES	NO
CANADA	P											

RXD-752/852 (X28-2980-10)

DESTINATION	COUNTRY	ABB.	UNIT No.	A	C	E	B	R33, 34	R113, 114	C25, 26	W16-19, 21, 25, 28	W32, 34
PX	Y											
GENERAL MARKET	M											
AUSTRALIA	X		0-10	YES	NO	YES	NO	YES	NO	YES	YES	NO
U.K.	T											
EUROPE	E											

RXD-772S (X28-2980-10)

DESTINATION	COUNTRY	ABB.	UNIT No.	A	C	E	B	R33, 34	R113, 114	C25, 26	W16-19, 21, 25, 28	W32, 34
GENERAL MARKET	M1		0-10	YES	NO	YES	NO	YES	NO	YES	YES	NO

RXD-702E/752E/852E (X28-2980-10)

DESTINATION	COUNTRY	ABB.	UNIT No.	A	C	E	B	R33, 34	R113, 114	C25, 26	W16-19, 21, 25, 28	W32, 34
EUROPE	E1		0-10	YES	NO	YES	NO	YES	NO	YES	YES	NO

RXD-702W/752W/852W (X28-2983-81)

DESTINATION	COUNTRY	ABB.	UNIT No.	A	C	E	B	R33, 34	R113, 114	C25, 26	W16-19, 21, 25, 28	W32, 34
RUSSIA	Q		3-81	YES	NO	YES	NO	YES	NO	YES	NO	YES

RXD-702E (X28-2980-10)

DESTINATION	COUNTRY	ABB.	UNIT No.	A	C	E	B	R33, 34	R113, 114	C25, 26	W16-19, 21, 25, 28	W32, 34
EUROPE	E1		0-10	YES	NO	YES	NO	YES	NO	YES	YES	NO

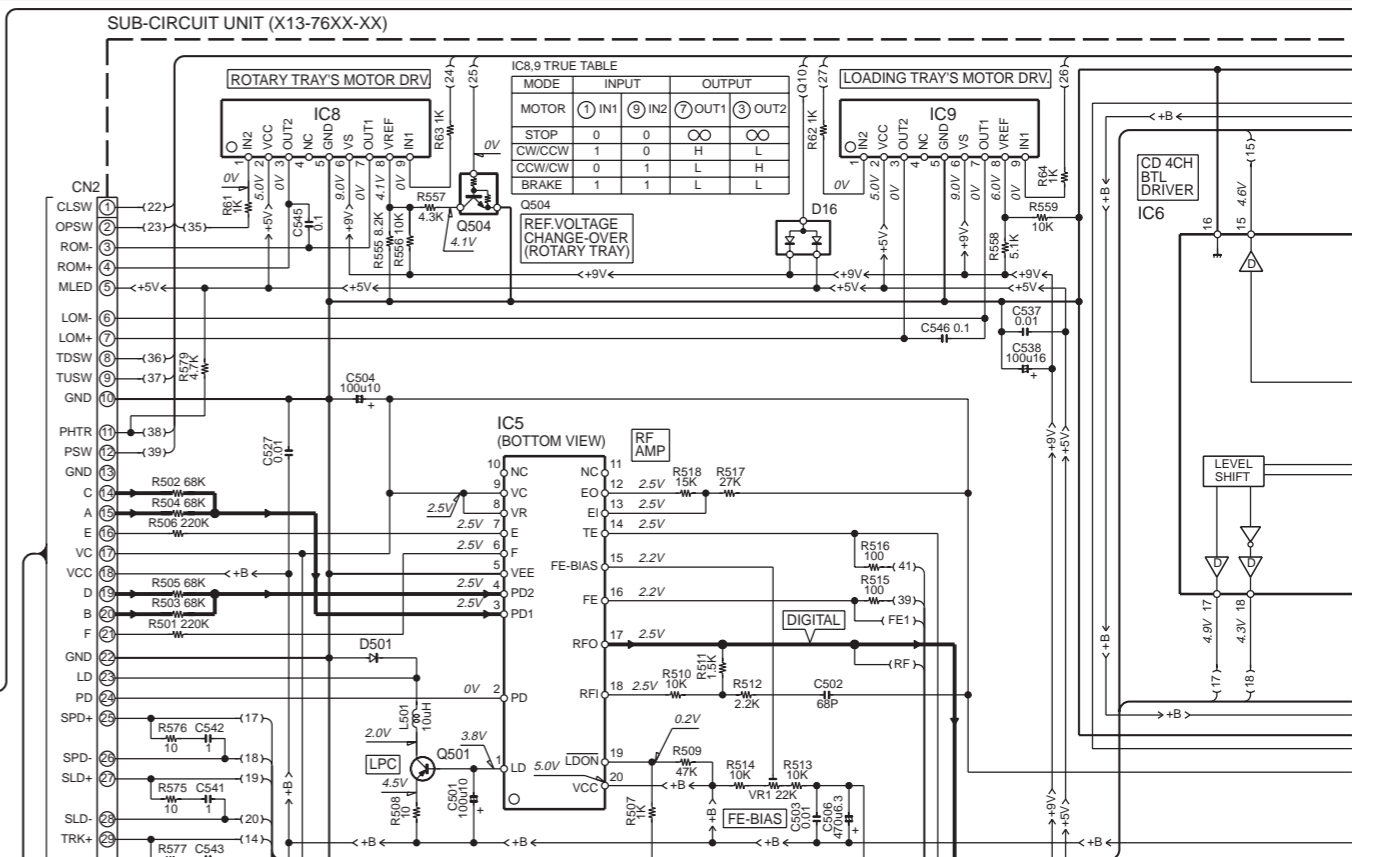
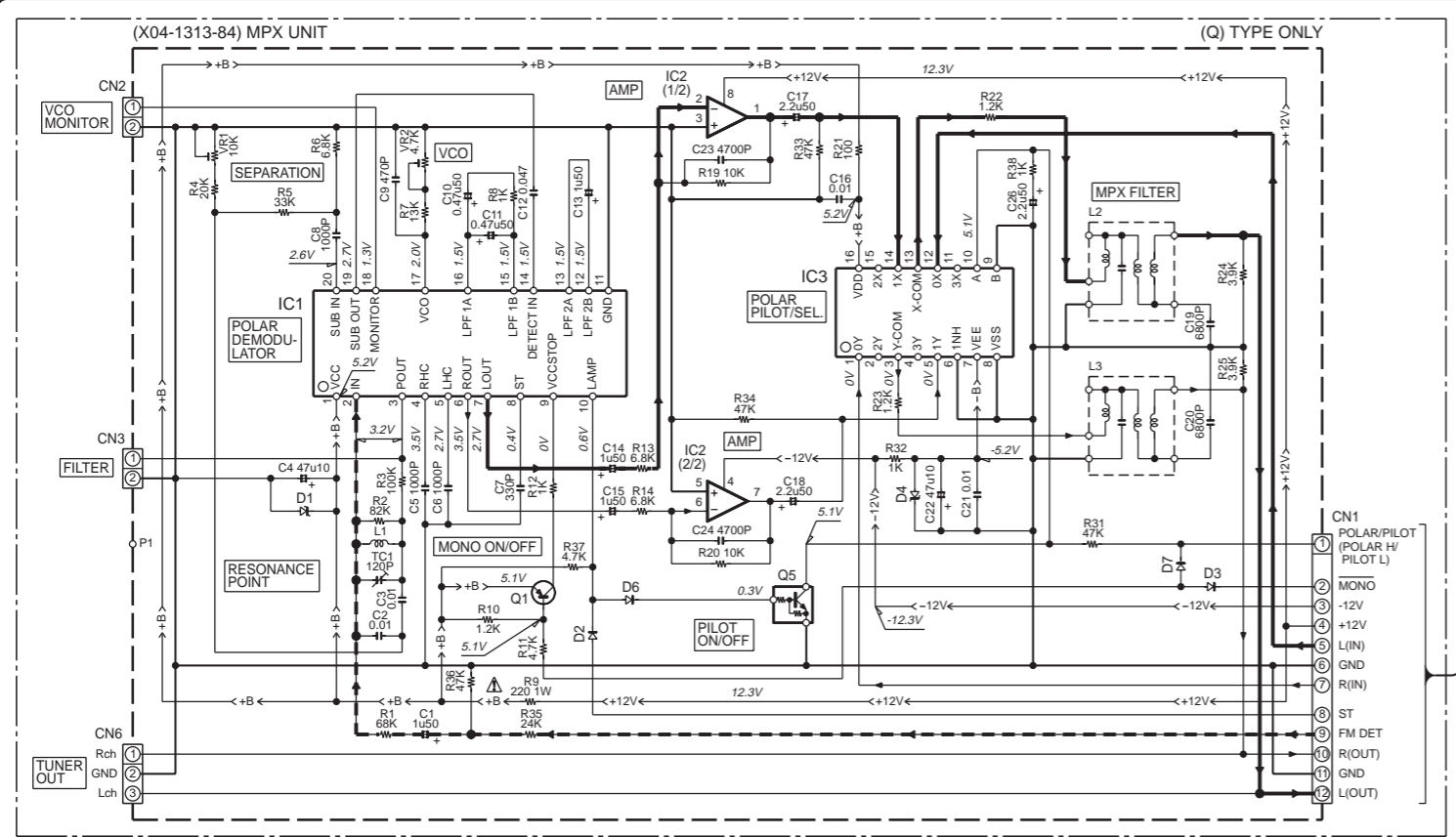
- IC1 : HA12219NT
- IC2 : HA12136A
- IC3 : BA3126N
- IC4 : HD74HC166P or TC74HC166AP
- IC5,6 : NUM4565L
- Q1 : KTC3205 or 2SC3940A(R,S)
- Q2-5,7,9,16, 22,27,28 : KRC103M or DTC124ESA
- Q6,8,10 : 2SA1286-T11
- Q11,12,23-26 : KTC3199(Y,GR) or 2SC2785(F,E)
- Q13,14 : 2SC1845(F,E)
- Q15,21,29 : KRA103M or DTA124ESA
- D1-4,6,7,9,10 : 1SS133 or HSS104A
- D5 : HZS5.6N(B2) or MTZJ5.6(B)
- D8 : HZS5.1N(B2) or MTZJ5.1(B)

CAUTION: For continued safety, replace safety critical components only with manufacturer's recommended parts (refer to parts list). Δ indicates safety critical components. For continued protection against risk of fire, replace only with same type and rating fuse(s). To reduce the risk of electric shock, leakage-current or resistance measurements shall be carried out (exposed parts are acceptably insulated from the supply circuit) before the appliance is returned to the customer.

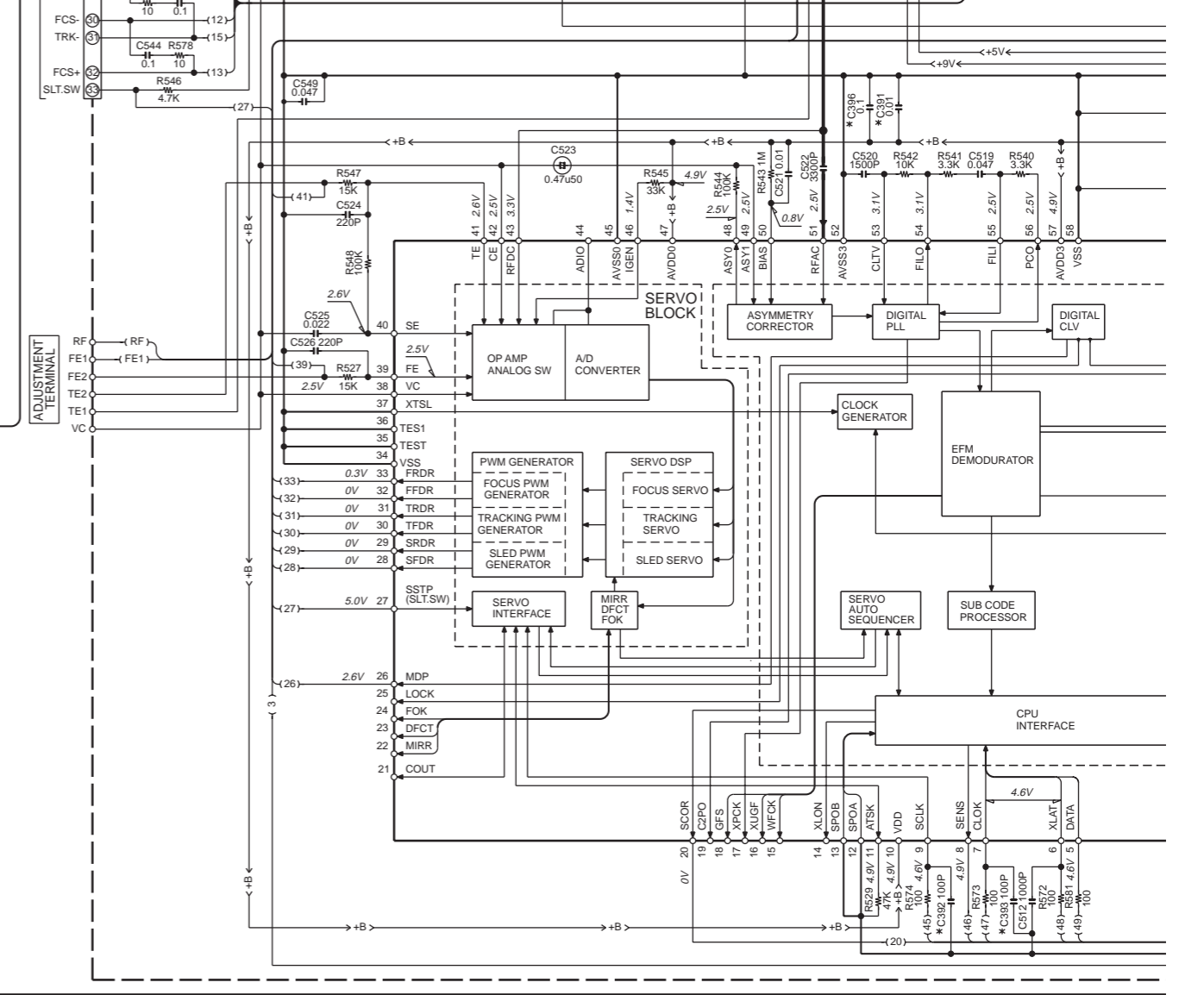
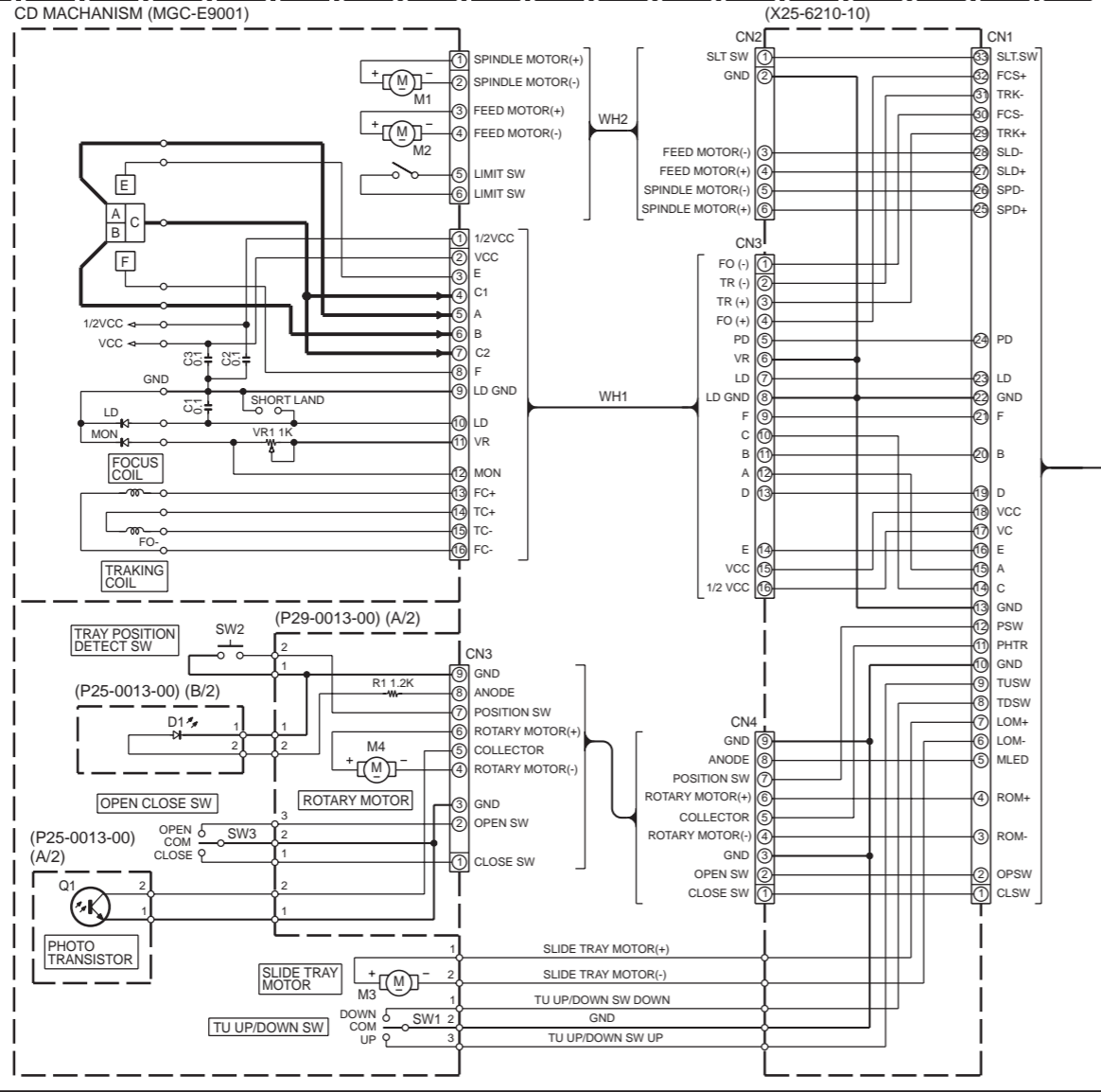
The DC voltage is an actual reading measured with a high impedance type voltmeter with a cassette loaded at playback mode. The measurement value may vary depending on the measuring instruments used or on the product. Bias circuit DC voltage is measured while in the record mode.

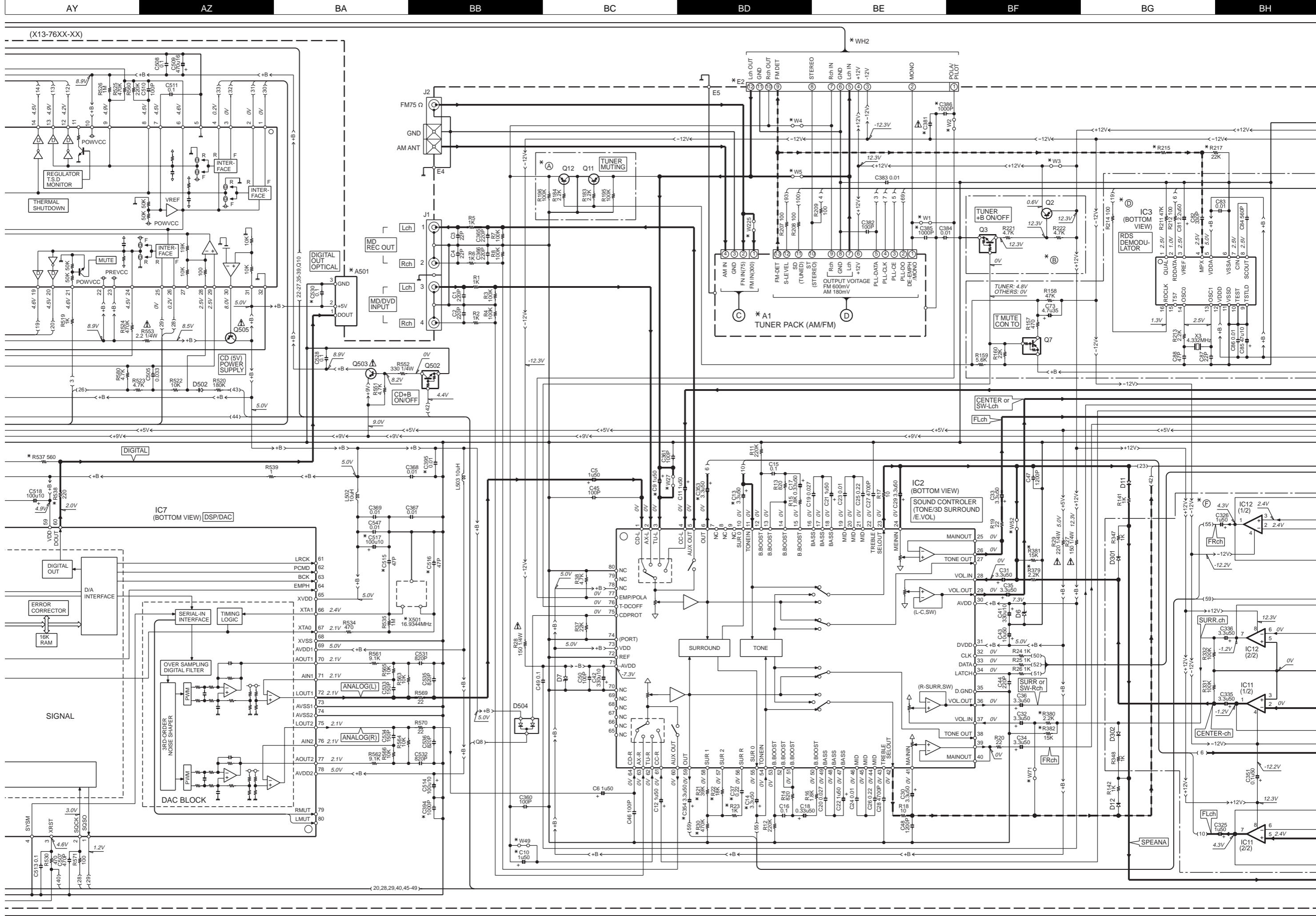
DOLBY and the double-D symbol are trademarks of Dolby Laboratories Licensing Corporation. Noise reduction circuit made under license from Dolby Laboratories Licensing Corporation.

- RECORDING LINE
 - SIGNAL LINE
 - GND LINE
 - <+B> +B LINE
 - <-B> -B LINE
- RXD-A601 (1/5)
 RXD-652/E/W (1/5)
 RXD-A81 (1/5)
 RXD-752/E/W (1/5)
 RXD-702/E/W (1/5)
 RXD-772S (1/5)
 RXD-A701 (1/5)
 RXD-852/E/W (1/5)



- IC1 : IR3R42
- IC2 : NJM4565D
- IC3 : TC4052BP
- Q1 : 2SA933AS(Q,R) or 2SA1175(F,E)
- Q5 : DTC144ESA or UN4213 or KRC104M
- D1,4 : MTZJ5.1(B) or HZS5.1N(B2) or TC4052BP
- D2 : RB721Q
- D3,6,7 : 1SS133 or HSS104





(X13-76XX-XX)

*WH2

IC7 (BOTTOM VIEW) DSP/DAC

IC2 (BOTTOM VIEW) SOUND CONTROLLER (TONE/3D SURROUND E.VOL)

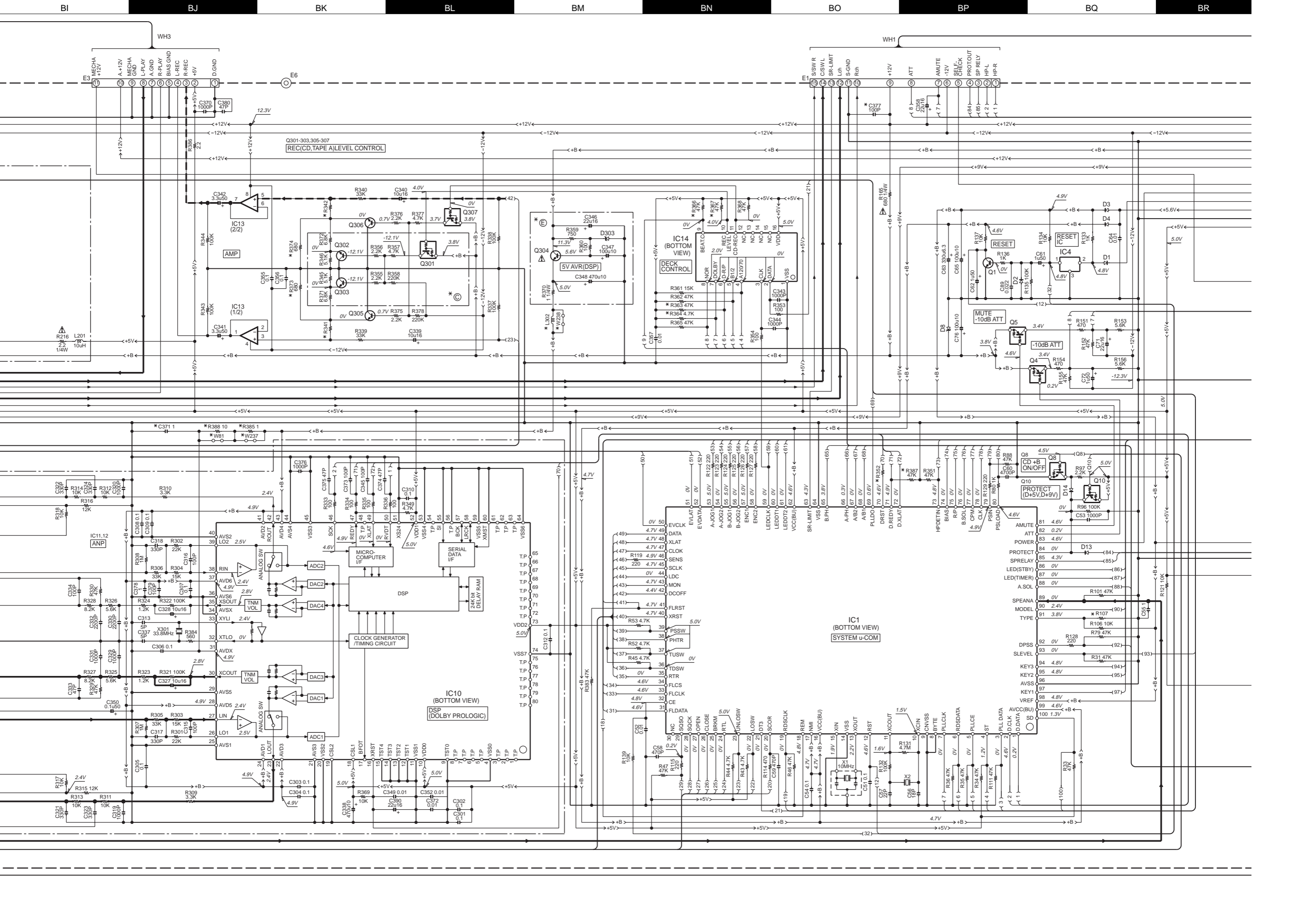
IC3 (BOTTOM VIEW) RDS DEMODULATOR

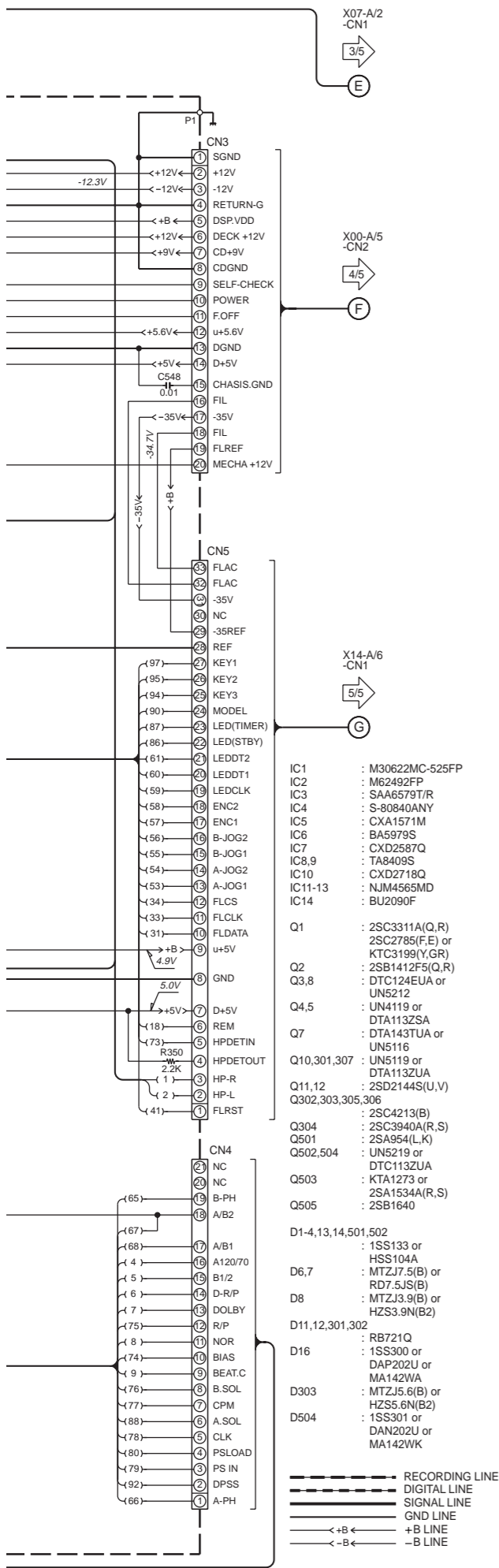
*A1 TUNER PACK (AM/FM)

DAC BLOCK

SIGNAL

SPEANA





RXD-A601 (X13-7630-11)

DESTINATION	UNIT No.	A	D	B	C	E	F	R21-23,30,215,217,363,364,366,373,374,385,387,388	R107	R341,342	R352	R367,379-382,517,537,538	C9,10,13,14,37,371,381,385,386,391-396,515,516,530	C353,354,530	W1,4,5,27,49,81,237	W2,3,52,71,225,238	A1	A501	X501	E2	WH2	L302	
U.S.A.	K	0-11	NO	YES				NO	91K	15K	1K	YES	NO	YES	YES	NO	W02-2673-05	NO	L78-0299-05	NO	NO	YES	
CANADA	P																						

RXD-652 (X13-763X-XX)

DESTINATION	UNIT No.	A	D	B	C	E	F	R21-23,30,217,363,364,366,373,374,385,387,388	R107	R215	R341,342	R352	R367,379-382,537,538	C9,10,391-396	C13,14,37,371,385,386	C353,354,375,377,380,515,516,530	C381	C517	W1,27,49	W2,3,52,71	W4,5,81,237,238	W225	A1	A501	X501	E2	WH2	L302	
GENERAL MARKET	M	0-22	NO	YES				NO	39K	NO	15K	1K	YES	NO	NO	YES	NO	NO	YES	YES	NO	NO	NO	W02-2673-05	YES	L77-2190-05	NO	NO	NO
AUSTRALIA	X																												
EUROPE	E	2-72	YES	NO				NO	8.2K	100				YES	NO	YES	NO	NO	NO	NO	YES		YES	W02-2674-05	YES	W02-2674-05			

RXD-652E (X13-7632-72)

DESTINATION	UNIT No.	A	D	B	C	E	F	R21-23,30,217,363,364,366,373,374,385,387,388	R107	R215	R341,342	R352	R367,379-382,537,538	C9,10,353,354,391-396,515,516,530	C13,14,37,371,385,386	C381	W1,3,27,49,52,71	W4,5,81,225,238	A1	A501	X501	E2	WH2	L302
EUROPE	E1	2-72	YES	NO				NO	8.2K	100	15K	1K	YES	YES	NO	100P	NO	YES	W02-2674-05	YES	L77-2190-05	NO	NO	NO

RXD-652W (X13-7633-82)

DESTINATION	UNIT No.	A	D	B	C	E	F	R21-23,30,363,364,373,374,387	R107	R215	R217,366,367,379-382,385,388,537,538	R341,342	R352	C9,10,353,354,371,385,386,391-396,515,516,530	C13,14,37,517	C381	W1,4,5,27,49,52,71,81,237	W2,3,225,238	A1	A501	X501	E2	WH2	L302
RUSSIA	Q	3-82	YES	NO				NO	4.7K	22K				YES	NO	1000P	NO	YES	W02-2675-05	YES	L77-2190-05	YES	YES	NO

RXD-A701 (X13-7630-10)

DESTINATION	UNIT No.	A	D	B	C	E	F	R21-23,30,215,217,366,367,385,387,388,537,538	R107	R341,342	R352	R363,364,373,374,379-382,537,538	C9,10,13,14,37,371,381,385,386,391-396,515,516,530	C353,354,379-382,517	W1,4,5,27,49,81,237	W2,3,52,71,225,238	A1	A501	X501	E2	WH2	L302	
U.S.A.	K	0-10	NO	YES				NO	91K	1.3K	1K	YES	NO	YES	YES	NO	W02-2673-05	NO	L78-0299-05	NO	NO	YES	
CANADA	P																						

RXD-852 (X13-763X-XX)

DESTINATION	UNIT No.	A	D	B	C	E	F	R21-23,30,217,366,367,385,387,388	R107	R215	R341,342	R352	R363,364,373,374,379-382,537,538	C9,10,391-396	C13,14,37,371,385,386	C353,354,515,516,530	C381	C517	W1,27,49	W2,3,52,71	W4,5,81,237,238	W225	A1	A501	X501	E2	WH2	L302	
GENERAL MARKET	M	0-21	NO	YES				NO	39K	NO	1.3K	1K	YES	NO	NO	YES	NO	NO	YES	YES	NO	NO	NO	W02-2673-05	YES	L77-2190-05	NO	NO	NO
AUSTRALIA	X																												
U.K.	T	0-51	YES	NO				NO	13K	100				YES	NO	YES	NO	NO	NO	NO	YES		YES	W02-2685-05					
EUROPE	E	2-71	YES	NO				NO	8.2K	100				YES	NO	YES	NO	NO	NO	NO	YES		YES	W02-2674-05					

RXD-852E (X13-7632-71)

DESTINATION	UNIT No.	A	D	B	C	E	F	R21-23,30,217,366,367,385,387,388	R107	R215	R341,342	R352	R363,364,373,374,379-382,537,538	C9,10,353,354,391-396,515,516,530	C13,14,37,517	C381	W1,3,27,49,52,71	W4,5,81,225,238	A1	A501	X501	E2	WH2	L302
EUROPE	E1	2-71	YES	NO				NO	8.2K	100	1.3K	1K	YES	YES	NO	100P	NO	YES	W02-2674-05	YES	L77-2190-05	NO	NO	NO

RXD-852W (X13-7633-81)

DESTINATION	UNIT No.	A	D	B	C	E	F	R21-23,30,367,387	R107	R215	R217,363,364,366,373,374,379-382,385,388,537,538	R341,342	R352	C9,10,353,354,371,385,386,391-396,515,516,530	C13,14,37,517	C381	W1,4,5,27,49,52,71,81,237	W2,3,225,238	A1	A501	X501	E2	WH2	L302
RUSSIA	Q	3-81	YES	NO				NO	4.7K	22K				YES	NO	1000P	NO	YES	W02-2675-05	YES	L77-2190-05	YES	YES	NO

RXD-A81 (X13-7640-10)

DESTINATION	UNIT No.	A	D	B	C	E	F	R21-23,30,363,364,373,374,387,537,538	R107	R215	R217,366,367,379-382,385,388	R341,342	R352	C9,10,353,354,371,381,385,386,391-396,515,516,530	C13,14,37,517	W1,4,5,27,49,52,71,81,237	W2,3,225,238	A1	A501	X501	E2	WH2	L302
U.S.A.	K	0-10	NO	YES				YES	91K	NO				NO	YES	YES	NO	W02-2673-05	NO	L78-0299-05	NO	NO	NO
CANADA	P																						

RXD-752 (X13-764X-XX)

DESTINATION	UNIT No.	A	D	B	C	E	F	R21-23,30,363,364,373,374,387,537,538	R107	R215	R217,366,367,379-382,385,388	R341,342	R352	C9,10,391-396	C13,14,37,515,516,530	C353,354,371,385,386	C381	C517	W1,27,49	W2,3,3,238	W4,5,52,71,81,237	W225	A1	A501	X501	E2	WH2	L302	
GENERAL MARKET	M	0-21	NO	YES				YES	39K	NO				NO	YES	NO	NO	YES	YES	NO	NO	NO	NO	W02-2673-05	YES	L77-2190-05	NO	NO	NO
AUSTRALIA	X																												
U.K.	T	0-51	YES	NO				YES	13K	100				YES	NO	YES	NO	NO	NO	NO	YES		YES	W02-2685-05					
EUROPE	E	2-71	YES	NO				YES	8.2K	100				YES	NO	YES	NO	NO	NO	NO	YES		YES	W02-2674-05					

RXD-752E (X13-7642-71)

DESTINATION	UNIT No.	A	D	B	C	E	F	R21-23,30,363,364,373,374,387,537,538	R107	R215	R217,366,367,379-382,385,388	R341,342	R352	C9,10,13,14,37,391-396,515,516,530	C353,354,371,385,386,517	C381	W1-3,27,49,238	W4,5,52,71,81,225,237	A1	A501	X501	E2	WH2	L302
EUROPE	E1	2-71	YES	NO				YES	8.2K	100	NO	1.3K		YES	NO	100P	NO	YES	W02-2674-05	YES	L77-2190-05	NO	NO	NO

RXD-752W (X13-7643-81)

DESTINATION	UNIT No.	A	D	B	C	E	F	R21-23,30,217,363,364,366,373,374,387,537,538	R107	R215	R217,366,367,382,385,388	R341,342	R352	C9,10,13,14,37,391-396,515,516,530	C353,354,371,517	C381	W1,4,5,27,49,238	W2,3,52,71,81,225,237	A1	A501	X501	E2	WH2	L302
RUSSIA	Q	3-81	YES	NO				YES	4.7K	22K	1.3K	NO		YES	NO	1000P	NO	YES	W02-2675-05	YES	L77-2190-05	YES	YES	NO

RXD-702 (X13-7642-71)

DESTINATION	UNIT No.	A	D	B	C	E	F	R21-23,30,363,364,373,374,387,537,538	R107	R215	R217,366,367,382,385,388	R341,342	R352	C9,10,13,14,37,391-396,515,516,530	C353,354,371,517	C381	W1-3,27,49,238	W4,5,52,71,81,225,237	A1	A501	X501	E2	WH2	L302
EUROPE	E	2-71	YES	NO				YES	8.2K	100	NO	1.3K		YES	NO	100P	NO	YES	W02-2674-05	YES	L77-2190-05	NO	NO	NO

RXD-702E (X13-7642-71)

DESTINATION	UNIT No.	A	D	B	C	E	F	R21-23,30,363,364,373,374,387,537,538	R107	R215	R217,366,367,379-382,385,388	R341,342	R352	C9,10,13,14,37,391-396,515,516,530	C353,354,371,385,386,517	C381	W1-3,27,49,238	W4,5,52,71,81,225,237	A1	A501	X501	E2	WH2	L302
EUROPE	E1	2-71	YES	NO				YES	8.2K	100	NO	1.3K		YES	NO	100P	NO	YES	W02-2674-05	YES	L77-2190-05	NO	NO	NO

RXD-702W (X13-7643-81)

DESTINATION	UNIT No.	A	D	B	C	E	F	R21-23,30,217,363,364,366,373,374,387,537,538	R107	R215	R341,342	R367,379-382,385,388	R352	C9,10,13,14,37,391-396,515,516,530	C353,354,371,517	C381	W1,4,5,27,49,238	W2,3,52,71,81,225,237	A1	A501	X501	E2	WH2	L302	
RUSSIA	Q	3-81	YES	NO				YES	4.7K	22K	1.3K	NO		100	YES	NO	1000P	NO	YES	W02-2675-05	YES	L77-2190-05	YES	YES	NO

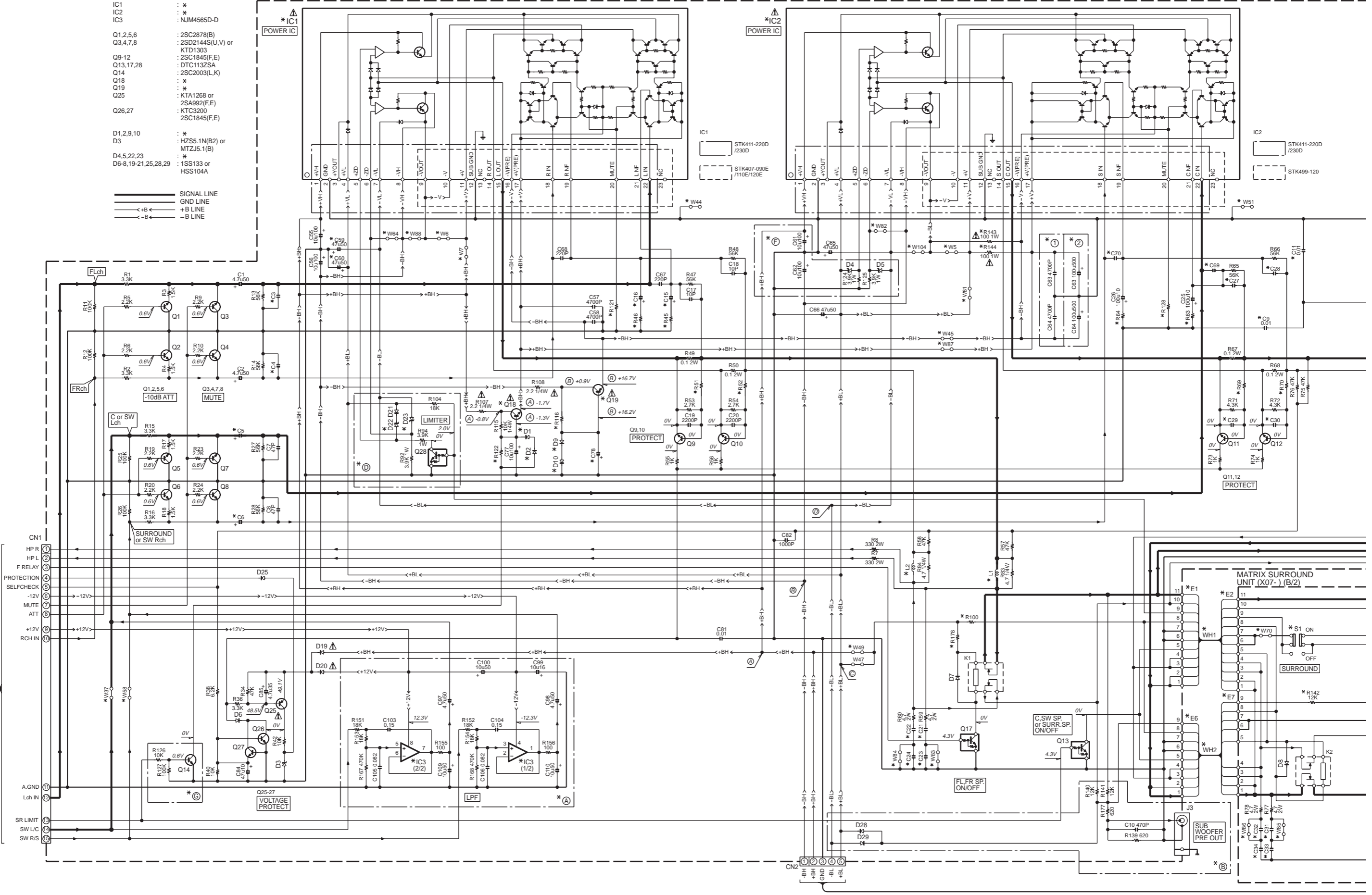
RXD-772S (X13-7640-22)

DESTINATION	UNIT No.	A	D	B	C	E	F	R21-23,30,363,364,373,374,387,537,538	R107	R215	R217,366,367,379-382,385,388	R341,342	R352	C9,10,353,354,371,381,385,386,391-396	C13,14,37,515,517,530	W1,4,5,27,49,52,71,81,237	W2,3,225,238	A1	A501	X501	E2	WH2	L302
GENERAL MARKET	M1	0-22	NO	YES				YES	22K	NO	1.3K	100		NO	YES	YES	NO	NO	W02-2676-05	YES	L77-2190-05		

POWER AMPLIFIER UNIT (X07-304X-XX) (A/2)

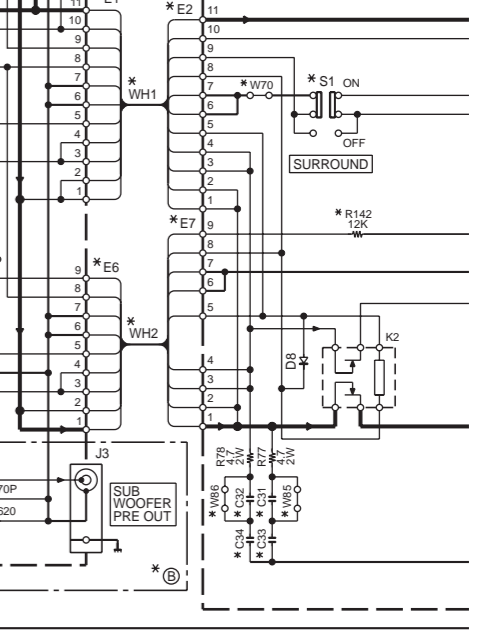
- IC1 : *
- IC2 : *
- IC3 : NJM4565D-D
- Q1,2,5,6 : 2SC2878(B)
- Q3,4,7,8 : 2SD2144S(U,V) or KTD1303
- Q9-12 : 2SC1845(F,E)
- Q13,17,28 : DTC113ZSA
- Q14 : 2SC2003(L,K)
- Q18 : *
- Q19 : *
- Q25 : KTA1268 or 2SA992(F,E)
- Q26,27 : KTC3200 2SC1845(F,E)
- D1,2,9,10 : *
- D3 : HZS5.1N(B2) or MTZJ5.1(B)
- D4,5,22,23 : *
- D6-8,19-21,25,28,29 : 1SS133 or HSS104A

——— SIGNAL LINE
 ——— GND LINE
 ——— +B LINE
 ——— -B LINE



- CN1
- HP R
- HP L
- F RELAY
- PROTECTION
- SELF CHECK
- 12V
- MUTE
- ATT
- +12V
- RCH IN
- X13-E1
- E
- A.GND
- Lch IN
- SR LIMIT
- SW L/C
- SW R/S

MATRIX SURROUND UNIT (X07-) (B/2)



RXD-A81 (X00-2940-12)

DESTINATION	COUNTRY	ABB.	UNIT No.	(A)	T1	S1, 2	CN5, 6, 9-12	W17, 19, 39, 43	C1	C2	C3, 4	C20, 22	C33	C34, 35	R1	R21, 25, 38	R26	Q3	Q7	D1, 3	D8	F1	F2, 4, 5
U.S.A	K		0-12	NO	L07-2654-05	NO	NO	YES	3300u25	1000u25	4700u75	NO	YES	3300u42	1.0 1/4W	NO	YES	KTA1273 or 2SA1534A(R,S)	NO	D4SBL20UF03	NO	8A 125V	NO
CANADA	P																						

RXD-752 (X00-294X-XX)

DESTINATION	COUNTRY	ABB.	UNIT No.	(A)	T1	S1, 2	CN5, 6	CN9-12	W17, 21	W39, 43	C1	C2	C3, 4	C20	C22	C33	C34, 35	R1	R21, 26, 38	R25	Q3	Q7	D1, 3	D8	F1, 4, 5	F2
FX	Y		0-23	YES	L07-2657-05	YES	YES		NO						NO	YES									YES	T4AL 250V
GENERAL MARKET	M																									
AUSTRALIA	X		2-73	NO	L07-2661-05	NO	NO	YES	YES	NO	3300u35	1000u35	4700u63			NO	NO	3300u35	1.5 1/4W	NO	YES	2SB1370(E,F) or 2SB1375	YES	D4SBL20UF03	NO	T4AL 250V
U.K	T																									
EUROPE	E																									

RXD-702E/752E (X00-2942-73)

DESTINATION	COUNTRY	ABB.	UNIT No.	(A)	T1	S1, 2	CN5, 6	CN9-12	W17, 21	W39, 43	C1, 34, 35	C2	C3, 4	C20	C22, 33	R1	R21, 26, 38	R25	Q3	Q7	D1, 3	D8	F1, 4, 5	F2
EUROPE	E1		2-73	NO	L07-2661-05	NO	NO	YES	YES	NO	3300u35	1000u35	4700u63	YES	NO	1.5 1/4W	NO	YES	2SA1534A(R,S) KTA1273 or	NO	D4SBL20UF03	NO	T4AL 250V	NO

RXD-702W/752W (X00-2942-73)

DESTINATION	COUNTRY	ABB.	UNIT No.	(A)	T1	S1, 2	CN5, 6	CN9-12	W17, 21	W39, 43	C1, 34, 35	C2	C3, 4	C20	C22, 33	R1	R21, 26, 38	R25	Q3	Q7	D1, 3	D8	F1, 4, 5	F2
RUSSIA	Q		2-73	NO	L07-2661-05	NO	NO	YES	YES	NO	3300u35	1000u35	4700u63	YES	NO	1.5 1/4W	NO	YES	2SA1534A(R,S) KTA1273 or	NO	D4SBL20UF03	NO	T4AL 250V	NO

RXD-702 (X00-2942-73)

DESTINATION	COUNTRY	ABB.	UNIT No.	(A)	T1	S1, 2	CN5, 6	CN9-12	W17, 21	W39, 43	C1, 34, 35	C2	C3, 4	C20	C22, 33	R1	R21, 26, 38	R25	Q3	Q7	D1, 3	D8	F1, 4, 5	F2
EUROPE	E		2-73	NO	L07-2661-05	NO	NO	YES	YES	NO	3300u35	1000u35	4700u63	YES	NO	1.5 1/4W	NO	YES	2SA1534A(R,S) KTA1273 or	NO	D4SBL20UF03	NO	T4AL 250V	NO

RXD-772S (X00-2940-23)

DESTINATION	COUNTRY	ABB.	UNIT No.	(A)	T1	S1, 2	CN5, 6, 9-12	W17, 21, 39, 43	C1, 34, 35	C2	C3, 4	C20, 33	C22	R1	R21, 26, 38	R25	Q3	Q7	D1, 3	D8	F1, 2, 4, 5
GENERAL MARKET	M1		0-23	YES	L07-2657-05	YES	YES	NO	3300u35	1000u35	4700u63	NO	YES	1.5 1/4W	NO	YES	2SB1370(E,F) or 2SB1375	YES	D4SBL20UF03	YES	T4AL 250V

RXD-A701 (X00-2940-10)

DESTINATION	COUNTRY	ABB.	UNIT No.	(A)	T1	S1, 2	CN5, 6	CN9-12	W17, 21	W39, 43	C1	C2	C3, 4	C20, 22	C33	C34, 35	R1	R21, 25, 38	R26	Q3	Q7	D1, 3	D8	F1	F2	F4, 5	
U.S.A	K		0-10	NO	L07-2654-05	NO	NO	YES	YES	NO	3300u25	1000u25	4700u63	NO	YES	2200u35	1.0 1/4W	YES			KTA1273 or 2SA1534A(R,S)	NO	D4SBL20UF03 or TS4B03G	NO	6.3A 125V	NO	4A 125V
CANADA	P																										

RXD-852 (X00-294X-XX)

DESTINATION	COUNTRY	ABB.	UNIT No.	(A)	T1	S1, 2	CN5, 6	CN9-12	W17, 21	W39, 43	C1	C2	C3, 4	C20	C22	C33	C34, 35	R1	R21, 25, 38	R26	Q3	Q7	D1, 3	D8	F1	F2	F4, 5
FX	Y		0-21	YES	L07-2657-05	YES	YES		NO						NO	YES									YES	T3.15AL 250V	T4AL 250V
GENERAL MARKET	M																										
AUSTRALIA	X		2-71	NO	L07-2661-05	NO	NO	YES	YES	NO	3300u35	1000u35	3900u63			NO	NO	2200u35	1.5 1/4W	YES	NO	2SB1370(E,F) or 2SB1375	YES	D4SBL20UF03 or TS4B03G	NO	T3.15AL 250V	T4AL 250V
U.K	T																										
EUROPE	E																										

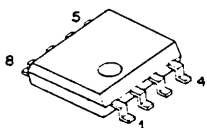
RXD-852E (X00-2942-71)

DESTINATION	COUNTRY	ABB.	UNIT No.	(A)	T1	S1, 2	CN5, 6	CN9-12	W17, 21	W39, 43	C1	C2	C3, 4	C20	C22, 33	C34, 35	R1	R21, 25, 38	R26	Q3	Q7	D1, 3	D8	F1	F2	F4, 5	
EUROPE	E1		2-71	NO	L07-2661-05	NO	NO	YES	YES	NO	3300u35	1000u35	3900u63	YES	NO	2200u35	1.5 1/4W	YES	NO			KTA1273 or 2SA1534A(R,S)	NO	D4SBL20UF03 or TS4B03G	NO	T3.15AL 250V	T4AL 250V

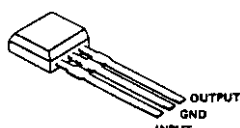
RXD-852W (X00-2942-71)

DESTINATION	COUNTRY	ABB.	UNIT No.	(A)	T1	S1, 2	CN5, 6	CN9-12	W17, 21	W39, 43	C1	C2	C3, 4	C20	C22, 33	C34, 35	R1	R21, 25, 38	R26	Q3	Q7	D1, 3	D8	F1	F2	F4, 5	
RUSSIA	Q		2-71	NO	L07-2661-05	NO	NO	YES	YES	NO	3300u35	1000u35	3900u63	YES	NO	2200u35	1.5 1/4W	YES	NO			KTA1273 or 2SA1534A(R,S)	NO	D4SBL20UF03 or TS4B03G	NO	T3.15AL 250V	T4AL 250V

NJM4565MD



TA7805SB



DAN202U



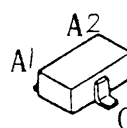
DAP202U



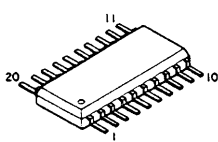
MA142WA
MA142WK
UN5212



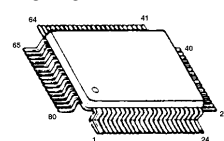
1SS301



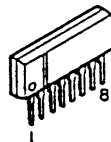
CXA1571M



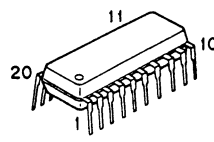
CXD2718Q
M62492FP



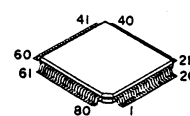
NJM4565L



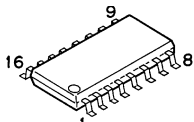
IR3R42



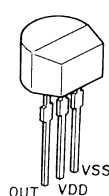
CXD2587Q



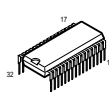
BU2090F



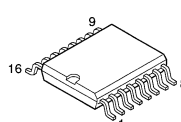
S-80840ANY



BA5979S



SAA6579T/R



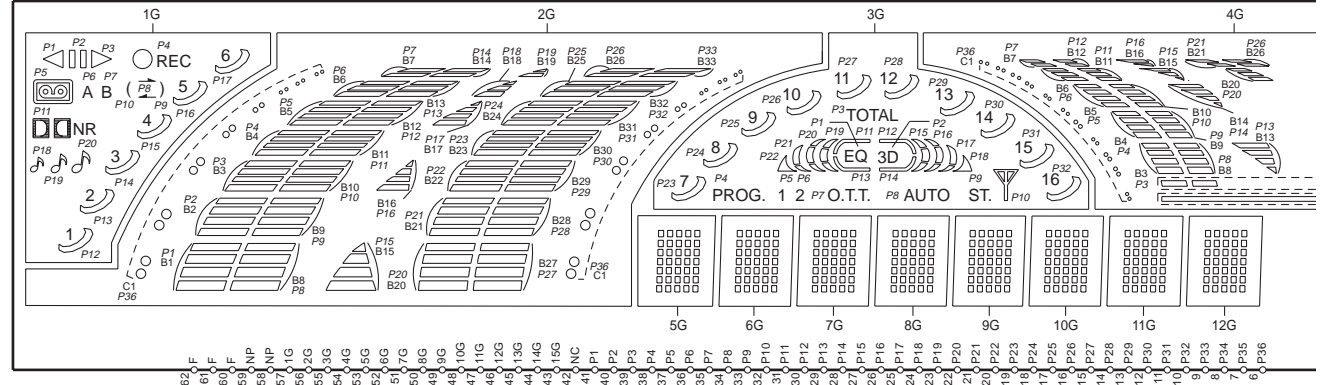
RXD-652/702/752/772S/852/A81/A601/A701

X13-CN5

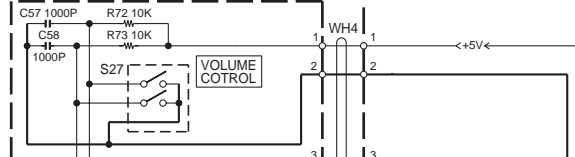
2/5

DISPLAY UNIT : FL (X14-493X-XX) (A/6)

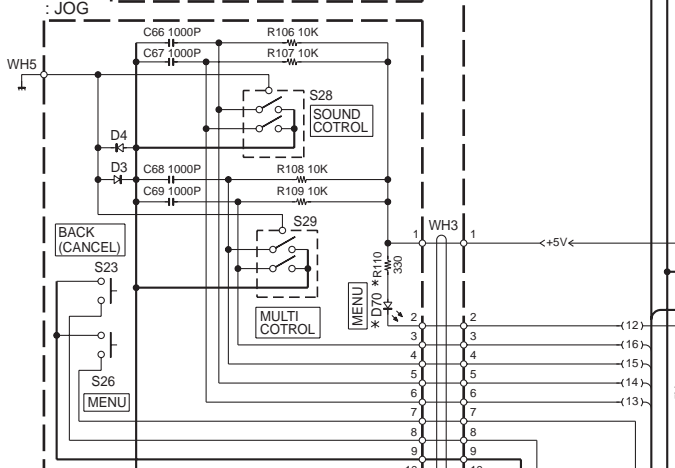
*ED1 BIG (SVA-15MM13)



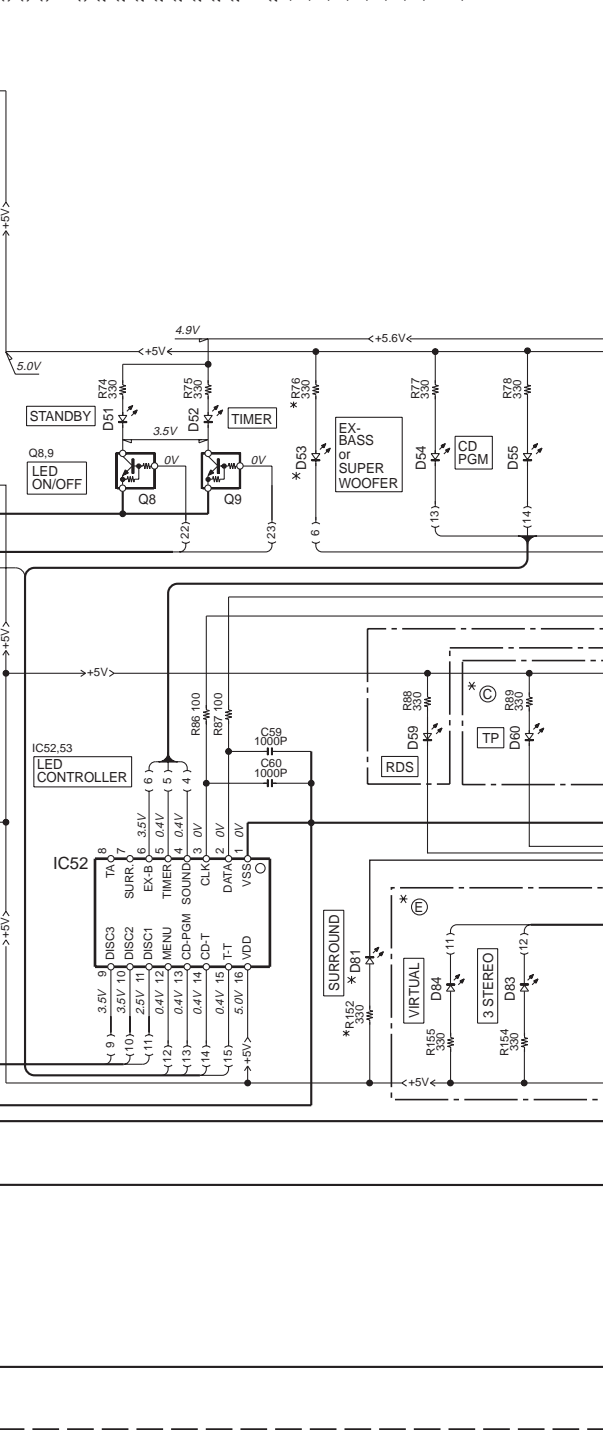
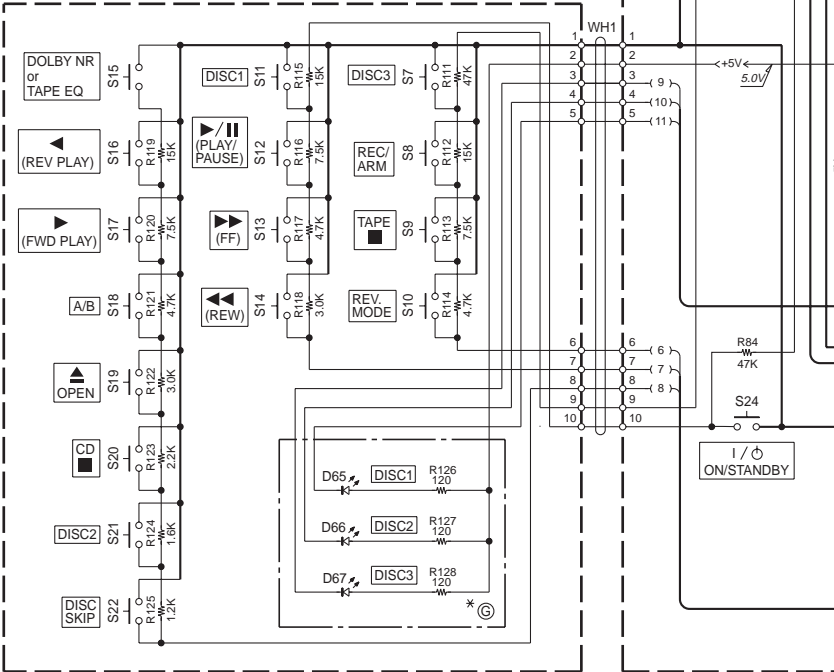
(X14-) (B/6) : VOL



(X14-) (C/6) : JOG

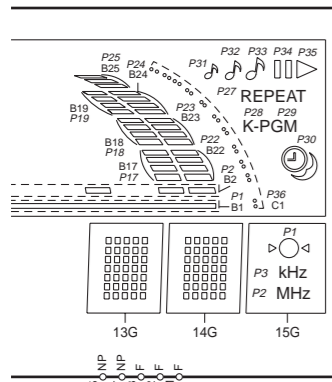


(X14-) (D/6) : CD, DECK

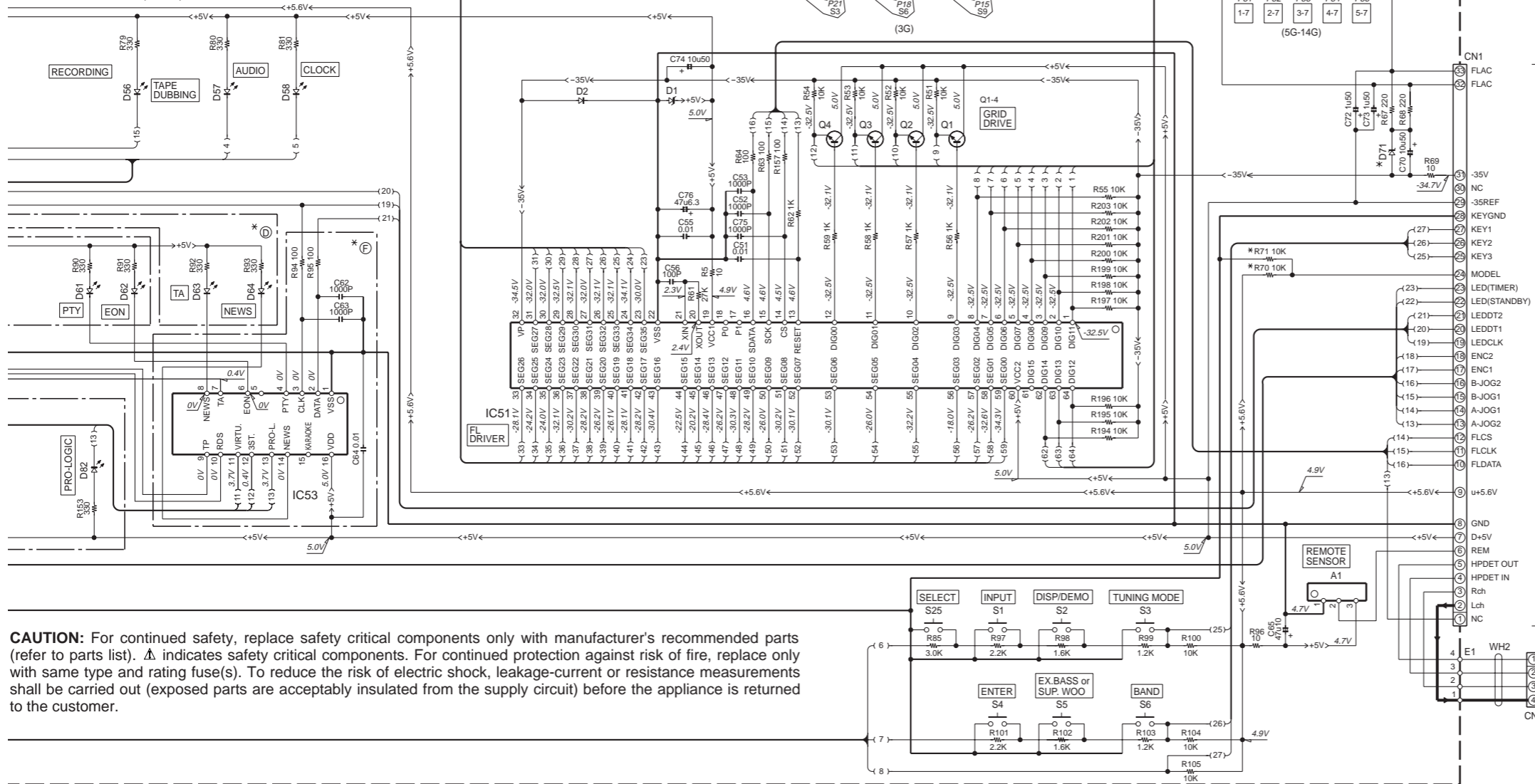
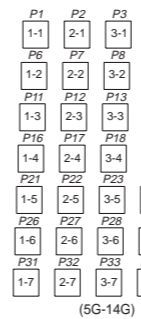
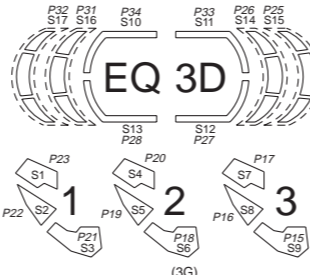
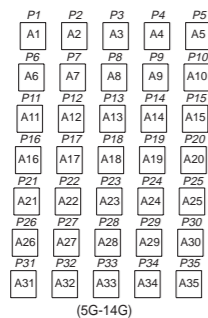
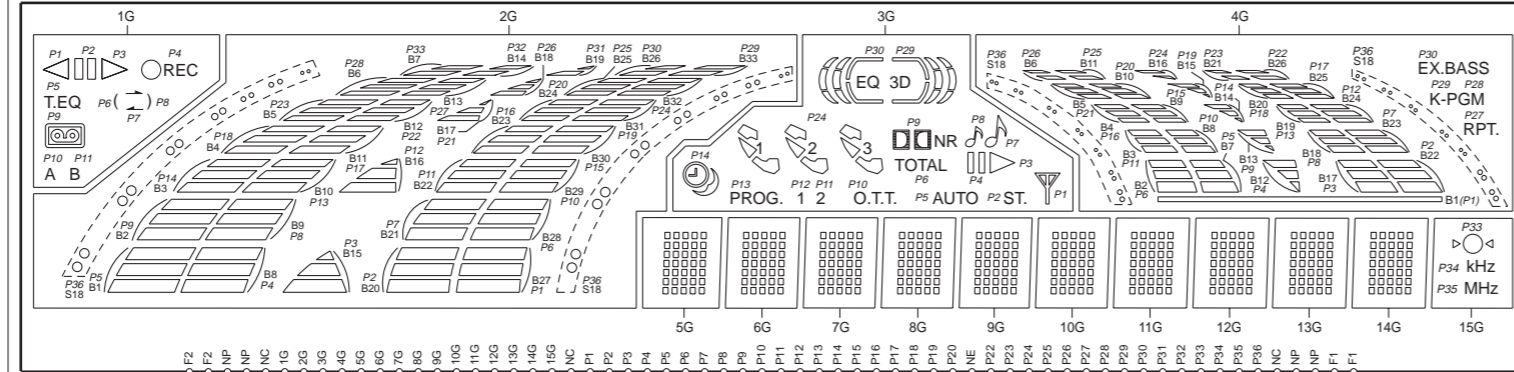


1
2
3
4
5
6
7

(X14-493X-XX) (A/6)



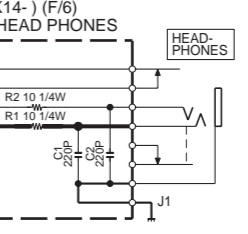
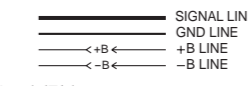
*ED1 SMALL (BJ665GK)



CAUTION: For continued safety, replace safety critical components only with manufacturer's recommended parts (refer to parts list). Δ indicates safety critical components. For continued protection against risk of fire, replace only with same type and rating fuse(s). To reduce the risk of electric shock, leakage-current or resistance measurements shall be carried out (exposed parts are acceptably insulated from the supply circuit) before the appliance is returned to the customer.

RXD-A601 (X14-4930-11)														
DESTINATION	COUNTRY	ABB.	UNIT No.	Ⓢ	Ⓣ	Ⓡ	Ⓢ	Ⓣ	D53, 70	D71	D81	R70, 76, 110, 152	R71, 152	ED1
U.S.A.	K		0-11	NO	YES	NO	NO	NO	MTZJ5.6(B) or HZS5.6N(B2)	YES	NO	YES	NO	SMALL
CANADA	P													
RXD-652 (X14-493X-XX)														
DESTINATION	COUNTRY	ABB.	UNIT No.	Ⓢ	Ⓣ	Ⓡ	Ⓢ	Ⓣ	D53, 70	D71	D81	R70, 76, 110, 152	R71, 152	ED1
AUSTRALIA	X		0-11	NO	NO	NO	NO	NO	MTZJ5.6(B) or HZS5.6N(B2)	YES	NO	YES	NO	SMALL
EUROPE	E		2-72	YES										
RXD-652E (X14-4932-72)														
DESTINATION	COUNTRY	ABB.	UNIT No.	Ⓢ	Ⓣ	Ⓡ	Ⓢ	Ⓣ	D53, 70	D71	D81	R70, 76, 110, 152	R71, 152	ED1
EUROPE	E1		2-72	YES	NO	NO	NO	NO	MTZJ5.6(B) or HZS5.6N(B2)	YES	NO	YES	NO	SMALL
RXD-652W (X14-4932-72)														
DESTINATION	COUNTRY	ABB.	UNIT No.	Ⓢ	Ⓣ	Ⓡ	Ⓢ	Ⓣ	D53, 70	D71	D81	R70, 76, 110, 152	R71, 152	ED1
RUSSIA	Q		2-72	YES	NO	NO	NO	NO	MTZJ5.6(B) or HZS5.6N(B2)	YES	NO	YES	NO	SMALL
RXD-A701 (X14-4930-10)														
DESTINATION	COUNTRY	ABB.	UNIT No.	Ⓢ	Ⓣ	Ⓡ	Ⓢ	Ⓣ	D53, 70, 81	D71	R70, 71, 76, 110, 152	ED1		
U.S.A.	K		0-10	NO	YES	YES	NO	NO	MTZJ6.2(B) or HZS6.2N(B2)	YES	NO	YES	BIG	
CANADA	P													
RXD-852 (X14-493X-XX)														
DESTINATION	COUNTRY	ABB.	UNIT No.	Ⓢ	Ⓣ	Ⓡ	Ⓢ	Ⓣ	D53, 70, 81	D71	R70, 71, 76, 110, 152	ED1		
PX	Y		0-10	NO										
AUSTRALIA	X				YES	YES	YES	YES	MTZJ6.2(B) or HZS6.2N(B2)	YES	NO	YES	BIG	
U.K.	T													
EUROPE	E		2-71	YES										
RXD-852E (X14-4932-71)														
DESTINATION	COUNTRY	ABB.	UNIT No.	Ⓢ	Ⓣ	Ⓡ	Ⓢ	Ⓣ	D53, 70, 81	D71	R70, 71, 76, 110, 152	ED1		
EUROPE	E1		2-71	YES	YES	YES	YES	YES	MTZJ6.2(B) or HZS6.2N(B2)	YES	NO	YES	BIG	
RXD-852W (X14-4932-71)														
DESTINATION	COUNTRY	ABB.	UNIT No.	Ⓢ	Ⓣ	Ⓡ	Ⓢ	Ⓣ	D53, 70, 81	D71	R70, 71, 76, 110, 152	ED1		
RUSSIA	Q		2-71	YES	YES	YES	YES	YES	MTZJ6.2(B) or HZS6.2N(B2)	YES	NO	YES	BIG	
RXD-A81 (X14-4930-12)														
DESTINATION	COUNTRY	ABB.	UNIT No.	Ⓢ	Ⓣ	Ⓡ	Ⓢ	Ⓣ	D53, 70	D71	D81	R70, 71, 76, 110, 152	R71, 152	ED1
U.S.A.	K		0-12	NO	YES	YES	NO	NO	MTZJ6.2(B) or HZS6.2N(B2)	NO	YES	NO	YES	BIG
CANADA	P													
RXD-752 (X14-493X-XX)														
DESTINATION	COUNTRY	ABB.	UNIT No.	Ⓢ	Ⓣ	Ⓡ	Ⓢ	Ⓣ	D53, 70	D71	D81	R70, 71, 76, 110, 152	R71, 152	ED1
PX	Y		0-12	NO	NO	YES	YES	YES	MTZJ6.2(B) or HZS6.2N(B2)	NO	YES	NO	YES	BIG
AUSTRALIA	X													
U.K.	T													
EUROPE	E		2-73	YES										
RXD-702 (X14-4932-73)														
DESTINATION	COUNTRY	ABB.	UNIT No.	Ⓢ	Ⓣ	Ⓡ	Ⓢ	Ⓣ	D53, 70	D81	D71	R70, 76, 110, 152	ED1	
EUROPE	E		2-73	YES	NO	YES	NO	NO	MTZJ6.2(B) or HZS6.2N(B2)	YES	NO	YES	NO	BIG
RXD-702E/752E (X14-4932-73)														
DESTINATION	COUNTRY	ABB.	UNIT No.	Ⓢ	Ⓣ	Ⓡ	Ⓢ	Ⓣ	D53, 70	D81	D71	R70, 76, 110, 152	ED1	
EUROPE	E1		2-73	YES	NO	YES	NO	NO	MTZJ6.2(B) or HZS6.2N(B2)	YES	NO	YES	NO	BIG
RXD-702W/752W (X14-4932-73)														
DESTINATION	COUNTRY	ABB.	UNIT No.	Ⓢ	Ⓣ	Ⓡ	Ⓢ	Ⓣ	D53, 70	D81	D71	R70, 76, 110, 152	ED1	
RUSSIA	Q		2-73	YES	NO	YES	NO	NO	MTZJ6.2(B) or HZS6.2N(B2)	YES	NO	YES	NO	BIG
RXD-772S (X14-4930-12)														
DESTINATION	COUNTRY	ABB.	UNIT No.	Ⓢ	Ⓣ	Ⓡ	Ⓢ	Ⓣ	D53, 70	D71	D81	R70, 76, 110, 152	ED1	
GENERAL MARKET	M1		0-12	NO	YES	YES	YES	YES	MTZJ6.2(B) or HZS6.2N(B2)	NO	YES	NO	YES	BIG

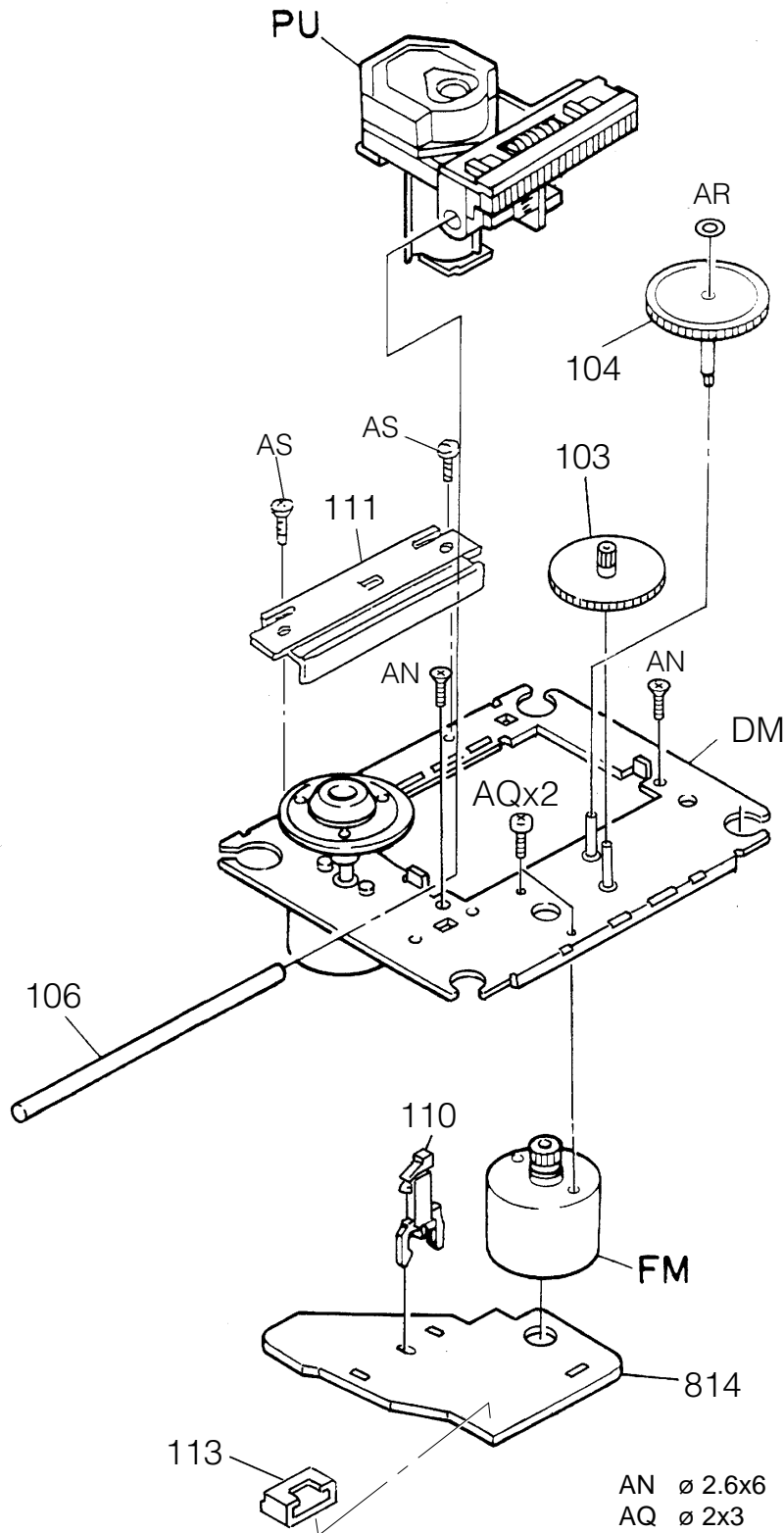
- IC51 : M66004SP
- IC52,53 : BU2090
- Q1-4 : KTC3199(Y,GR) or 2SC2785(F,E)
- Q8,9 : DTC124ESA or UN4212
- D1 : MTZJ6.2(B) or HZS6.2N(B2)
- D2-4 : HSS104A or 1SS133
- D51,52,59-64,82-84 : B30-2546-05
- D53,65-67,70 : B30-2548-05
- D54-58,81 : B30-2547-05
- D59-64 : B30-2546-05
- D71 : *
- ED1 : BIG (SVA-15MM13)
- : SMALL (BJ665GK)



- RXD-A601 (5/5)
- RXD-652/E/W (5/5)
- RXD-A81 (5/5)
- RXD-752/E/W (5/5)
- RXD-702/E/W (5/5)
- RXD-772S (5/5)
- RXD-A701 (5/5)
- RXD-852/E/W (5/5)

The DC voltage is an actual reading measured with a high impedance type voltmeter with no signal input. The measurement value may vary depending on the measuring instruments used or on the product.

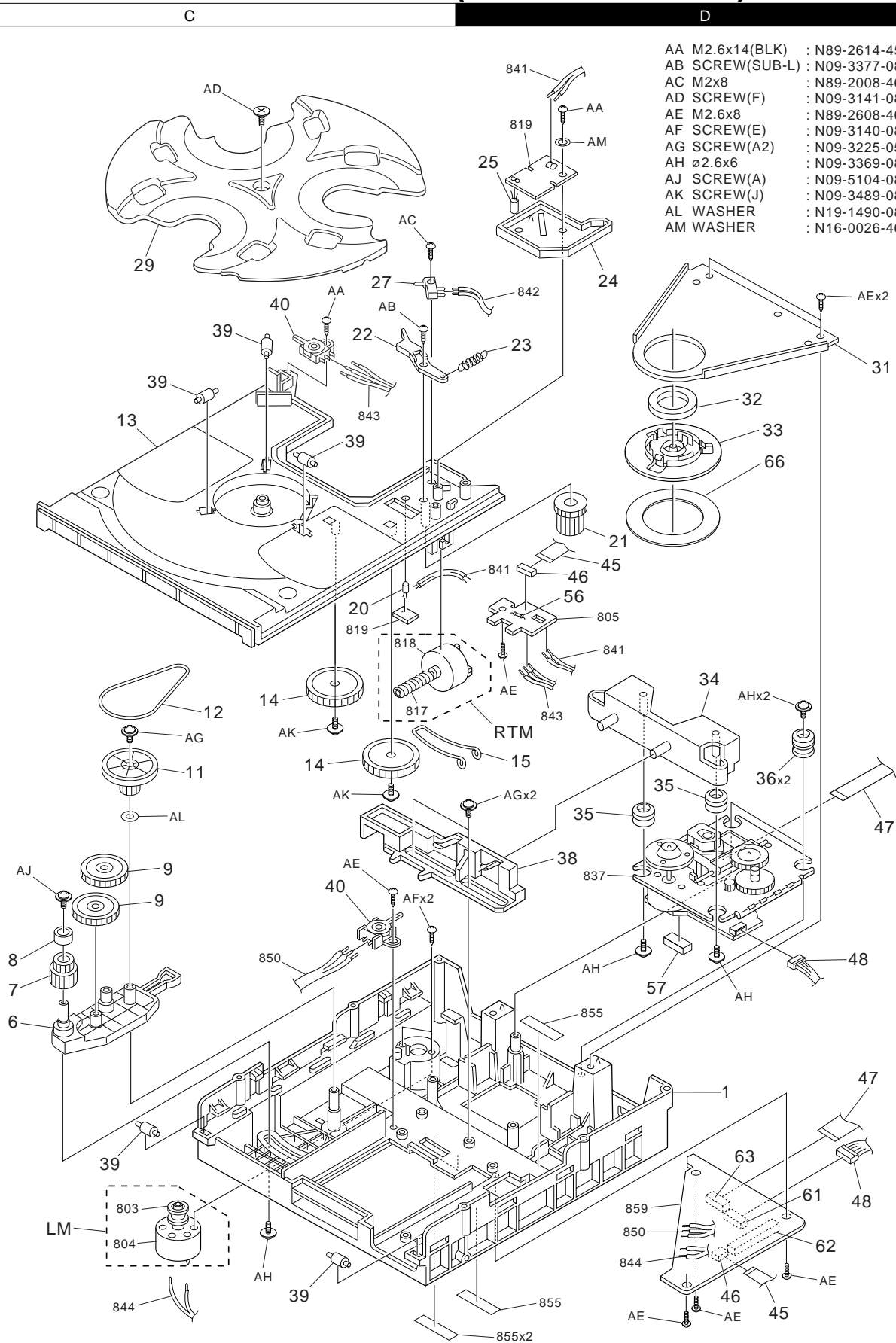
EXPLODED VIEW (CD MECHANISM)



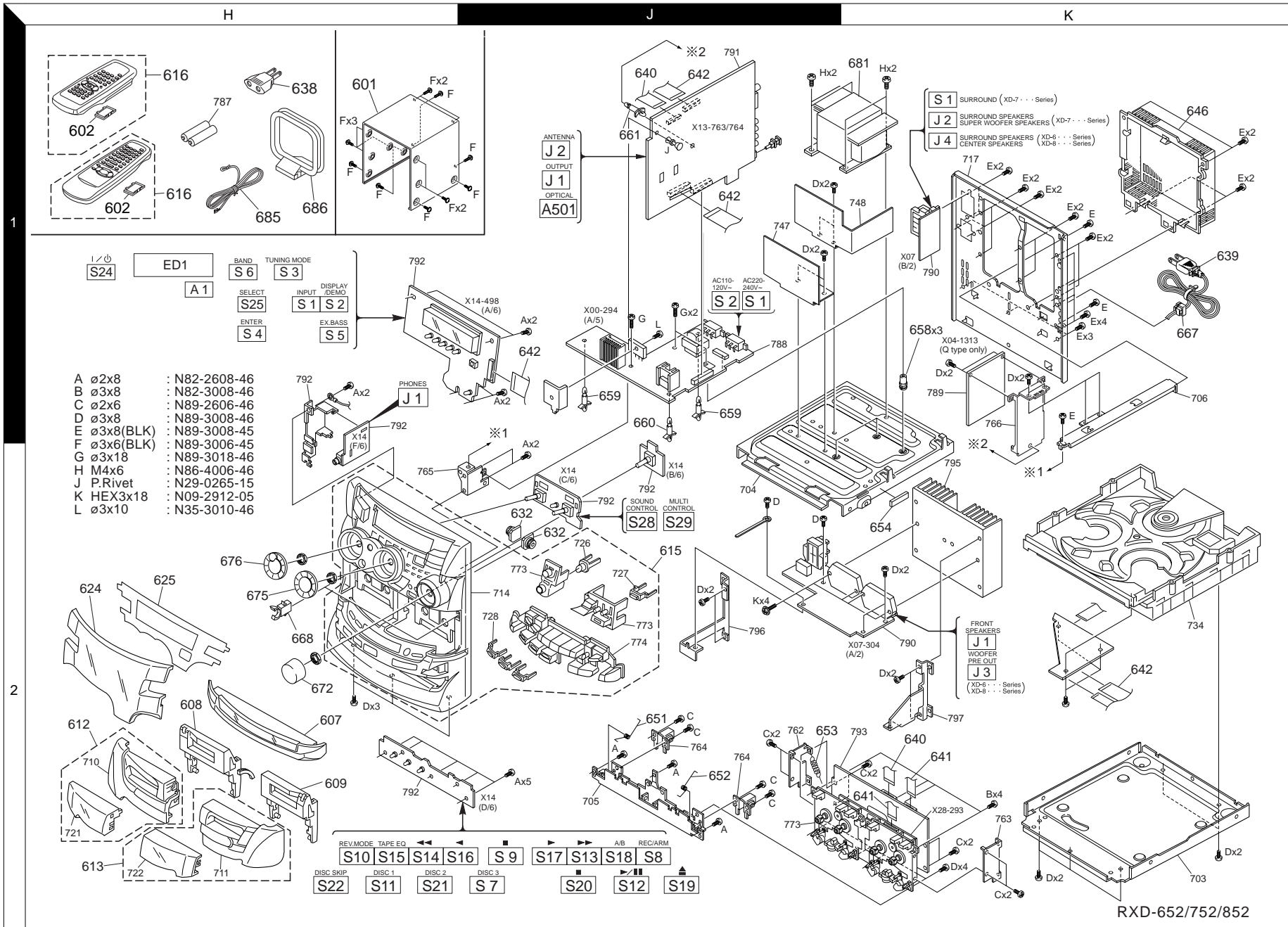
AN	∅ 2.6x6	: N32-2606-46
AQ	∅ 2x3	: N30-2003-46
AR	WASHER	: N19-1435-05
AS	∅ 2x5	: N86-2005-46

KCTB1H

EXPLODED VIEW (CD MECHANISM)



EXPLODED VIEW (UNIT)



RXD-652/752/852

Parts with exploded numbers larger than 700 are not supplied.

* New Parts
 Parts without **Parts No.** are not supplied.
 Les articles non mentionnés dans le **Parts No.** ne sont pas fournis.
 Teile ohne **Parts No.** werden nicht geliefert.

①

Ref. No	Add-ress	New Parts	Parts No.	Description	Desti-nation	Re-marks
RXD-852/852E/852W/A701						
601	1H		A01-3656-01	METALLIC CABINET		
602	1H	*	A09-1135-08	CABINET (REMOTE CONTROLLER)		
607	2H	*	A29-1055-03	PANEL ASSY (CD)		
608	2H		A53-2084-02	CASSETTE HOLDER (L)		
609	2H		A53-2085-02	CASSETTE HOLDER (R)		
612	2H	*	A53-2129-02	CASSETTE LID ASSY (L)		
613	2H	*	A53-2130-02	CASSETTE LID ASSY (R)		
615	2J	*	A60-1657-11	PANEL ASSY	TEE1Q	
615	2J	*	A60-1657-11	PANEL ASSY	YMX	
615	2J	*	A60-1658-11	PANEL ASSY	KP	
616	1H	*	A70-1288-05	REMOTE CONTROLLE ASSY(RC-852)	KPYMX	
616	1H	*	A70-1289-05	REMOTE CONTROLLE ASSY(RC-852E)	TEE1Q	
624	2H	*	B10-3492-02	FRONT GLASS	KP	
624	2H	*	B10-3493-02	FRONT GLASS	YMX	
624	2H	*	B10-3494-02	FRONT GLASS	TEE1Q	
625	2H		B11-0388-13	COLOR FILTER		
-	-		B46-0096-53	WARRANTY CARD	X	
-	-		B46-0310-03	WARRANTY CARD	TEE1Q	
-	-		B46-0328-03	WARRANTY CARD	KY	
-	-	*	B46-0346-00	QUESTIONNAIRE CARD	K	
-	-	*	B46-0347-03	WARRANTY CARD	P	
-	-		B58-0513-04	CAUTION CARD (PRESET220-240)	Y	
-	-	*	B58-1643-04	CAUTION CARD		
-	-		B59-1104-00	SERVICE DIRECTORY	Y	
-	-	*	B60-4235-00	INSTRUCTION MANUAL (EN1)	KP	
-	-	*	B60-4236-00	INSTRUCTION MANUAL (FR)	PE	
-	-	*	B60-4237-00	INSTRUCTION MANUAL (ES)	E	
-	-	*	B60-4238-00	INSTRUCTION MANUAL (GE)	E	
-	-	*	B60-4239-00	INSTRUCTION MANUAL (IT)	E	
-	-	*	B60-4240-00	INSTRUCTION MANUAL (NE)	E	
-	-		B60-4241-00	INSTRUCTION MANUAL (TC)	M	
-	-		B60-4242-00	INSTRUCTION MANUAL (PL)	E1	
-	-		B60-4243-00	INSTRUCTION MANUAL (HU)	E1	
-	-		B60-4244-00	INSTRUCTION MANUAL (CZ)	Q	
-	-		B60-4245-00	INSTRUCTION MANUAL (RU)	Q	
-	-		B60-4246-00	INSTRUCTION MANUAL (EN2)	TEE1Q	
-	-		B60-4246-00	INSTRUCTION MANUAL (EN2)	YMX	
632	2J		D39-0334-15	DAMPER		
Δ 638	1H		E03-0115-05	AC PLUG ADAPTER	M	
Δ 639	1K		E30-2592-15	AC POWER CORD	MEE1Q	
Δ 639	1K		E30-2605-05	AC POWER CORD	Y	
Δ 639	1K		E30-2717-05	AC POWER CORD	X	
Δ 639	1K		E30-2829-05	AC POWER CORD	T	
Δ 639	1K		E30-2884-05	AC POWER CORD	KP	
640	1J,2K		E35-2256-05	FLAT CABLE (21P)		
641	2K		E35-2294-05	FLAT CABLE (17P)		
642	1J,2K	*	E35-2380-05	FLAT CABLE (33P)		
646	1K	*	F07-1660-01	COVER		
651	2J		G01-4094-04	TORSION COIL SPRING (A)		
652	2J		G01-4095-04	TORSION COIL SPRING (B)		
653			G01-4141-04	EXTENSION SPRING		

L : Scandinavia K : USA P : Canada R : Mexico C : China I : Malaysia
 Y : PX(Far East, Hawaii) T : Europe E : Europe G : Germany V : China (Shanghai)
 Y : AAFES(Europe) X : Australia Q : Russia H : Korea M : Other Areas Δ indicates safety critical components.

* New Parts
 Parts without **Parts No.** are not supplied.
 Les articles non mentionnés dans le **Parts No.** ne sont pas fournis.
 Teile ohne **Parts No.** werden nicht geliefert.

②

Ref. No	Add-ress	New Parts	Parts No.	Description	Desti-nation	Re-marks
654	2K	*	G11-2470-04	CUSHION		
-	-		G10-0452-04	NON-WOVEN FABRIC		
-	-		G10-0461-04	NON-WOVEN FABRIC		
-	-	*	H10-7566-02	POLYSTYRENE FOAMED FIXTURE (L)		
-	-	*	H10-7567-02	POLYSTYRENE FOAMED FIXTURE (R)		
-	-	*	H21-0373-03	PROTECTION SHEET		
-	-		H25-1536-04	PROTECTION BAG		KPY
-	-		H25-1536-04	PROTECTION BAG		XTEE1Q
-	-		H25-1642-04	PROTECTION BAG		
-	-	*	H25-1654-04	PROTECTION BAG		M
-	-	*	H50-3292-04	ITEM CARTON CASE		KP
-	-	*	H50-3293-04	ITEM CARTON CASE		YX
-	-	*	H50-3294-04	ITEM CARTON CASE		TE
-	-	*	H50-3295-04	ITEM CARTON CASE		M
-	-	*	H50-3296-04	ITEM CARTON CASE		Q
-	-	*	H50-3297-04	ITEM CARTON CASE		E1
658	1K		J19-3751-04	UNIT HOLDER		
659	1J		J19-5911-05	UNIT HOLDER		
660	2J	*	J19-5914-05	UNIT HOLDER		
661	1J	*	J19-5917-05	UNIT HOLDER		Q
Δ 667	1K	*	J42-0083-05	POWER CORD BUSHING		
668	2H		J52-0039-05	PUSH LATCH		
-	-		J61-0307-05	WIRE BAND		
672	2H	*	K29-7562-04	KNOB (MAIN VOLUME)		
675	2H		K29-7470-14	KNOB (MULTI)		
676	2H		K29-7471-14	KNOB (SOUND)		
Δ 681	1K	*	L07-2676-05	POWER TRANSFORMER		KP
Δ 681	1K	*	L07-2677-05	POWER TRANSFORMER		TEE1
Δ 681	1K	*	L07-2678-05	POWER TRANSFORMER		Q
Δ 681	1K	*	L07-2679-05	POWER TRANSFORMER		YMX
Δ 681	1K	*	L07-2680-05	POWER TRANSFORMER		X
685	1H		T90-0836-05	LEAD WIRE ANTENNA		
686	1H		T90-0837-05	LOOP ANTENNA		
RXD-702/702E/702W/752/752E/752W/772S/A81						
601	1H		A01-3656-01	METALLIC CABINET		EE1QM1
601	1H		A01-3656-01	METALLIC CABINET		KPYMXT
601	1H		A01-3681-01	METALLIC CABINET (RXD-702)		EE1Q
602	1H		A09-0399-08	CABINET (REMOTE CONTROLLER)		
607	2H		A29-1049-03	PANEL ASSY (CD)		EE1QM1
607	2H		A29-1049-03	PANEL ASSY (CD)		KPYMXT
607	2H		A29-1050-03	PANEL ASSY (CD) (RXD-702)		EE1Q
608	2H		A53-2084-02	CASSETTE HOLDER (L)		
609	2H		A53-2085-02	CASSETTE HOLDER (R)		
612	2H		A53-2111-02	CASSETTE LID ASSY(L)		EE1QM1
612	2H		A53-2111-02	CASSETTE LID ASSY(L)		KPYMXT
612	2H		A53-2115-02	CASSETTE LID ASSY(L)(RXD-702)		EE1Q
613	2H		A53-2112-02	CASSETTE LID ASSY(R)		EE1QM1
613	2H		A53-2112-02	CASSETTE LID ASSY(R)		KPYMXT
613	2H		A53-2116-02	CASSETTE LID ASSY(R)(RXD-702)		EE1Q
615	2J	*	A60-1673-11	PANEL ASSY		KP
615	2J	*	A60-1674-11	PANEL ASSY		TEE1Q
615	2J	*	A60-1674-11	PANEL ASSY		YMXM1
615	2J	*	A60-1675-11	PANEL ASSY (RXD-702)		EE1Q

L : Scandinavia K : USA P : Canada R : Mexico C : China I : Malaysia
 Y : PX(Far East, Hawaii) T : Europe E : Europe G : Germany V : China (Shanghai)
 Y : AAFES(Europe) X : Australia Q : Russia H : Korea M : Other Areas Δ indicates safety critical components.

Screen shows model RXD-702E/W

RXD-652/702/752/772S/852/A81/A601/A701
PARTS LIST

* New Parts
Parts without **Parts No.** are not supplied.
Les articles non mentionnés dans le **Parts No.** ne sont pas fournis.
Teile ohne **Parts No.** werden nicht geliefert.

3

Ref. No	Add-ress	New Parts	Parts No.	Description	Desti-nation	Re-marks
616	1H	*	A70-1297-05	REMOTE CONTROLLE ASSY(RC-752)	KPY	
616	1H	*	A70-1297-05	REMOTE CONTROLLE ASSY(RC-752)	MXM1	
616	1H	*	A70-1298-05	REMOTE CONTROLLE ASSY(RC-752E)	TEE1Q	
624	2H	*	B10-3495-02	FRONT GLASS	KP	
624	2H	*	B10-3496-02	FRONT GLASS	YMX	
624	2H	*	B10-3497-02	FRONT GLASS	TEE1Q	
624	2H	*	B10-3498-02	FRONT GLASS (RXD-702)	EE1Q	
624	2H	*	B10-3499-02	FRONT GLASS	M1	
625	2H	*	B11-0390-13	COLOR FILTER	X	
-	-	-	B46-0096-53	WARRANTY CARD	TEE1Q	
-	-	-	B46-0310-03	WARRANTY CARD	KY	
-	-	-	B46-0328-03	WARRANTY CARD	K	
-	-	-	B46-0346-00	QUESTIONNAIRE CARD		
-	-	-	B46-0347-03	WARRANTY CARD	P	
-	-	-	B58-0513-04	CAUTION CARD (PRESET220-240)	Y	
-	-	-	B58-1643-04	CAUTION CARD		
-	-	-	B59-1104-00	SERVICE DIRECTORY	Y	
-	-	-	B60-4235-00	INSTRUCTION MANUAL (EN1)	KP	
-	-	-	B60-4236-00	INSTRUCTION MANUAL (FR)	PE	
-	-	-	B60-4237-00	INSTRUCTION MANUAL (ES)	ME	
-	-	-	B60-4238-00	INSTRUCTION MANUAL (GE)	E	
-	-	-	B60-4239-00	INSTRUCTION MANUAL (IT)	E	
-	-	-	B60-4240-00	INSTRUCTION MANUAL (NE)	E	
-	-	-	B60-4241-00	INSTRUCTION MANUAL (TC)	M	
-	-	-	B60-4242-00	INSTRUCTION MANUAL (PL)	E1	
-	-	-	B60-4243-00	INSTRUCTION MANUAL (HU)	E1	
-	-	-	B60-4244-00	INSTRUCTION MANUAL (CZ)	E1	
-	-	-	B60-4245-00	INSTRUCTION MANUAL (RU)	Q	
-	-	-	B60-4246-00	INSTRUCTION MANUAL (EN2)	TE1Q	
-	-	-	B60-4246-00	INSTRUCTION MANUAL (EN2)	YMXM1	
632	2J		D39-0334-15	DAMPER		
Δ 638	1H		E03-0115-05	AC PLUG ADAPTER	MM1	
Δ 639	1K		E30-2592-15	AC POWER CORD	EE1Q	
Δ 639	1K		E30-2592-15	AC POWER CORD	MM1	
Δ 639	1K		E30-2605-05	AC POWER CORD	Y	
Δ 639	1K		E30-2717-05	AC POWER CORD	X	
Δ 639	1K		E30-2829-05	AC POWER CORD	T	
Δ 639	1K		E30-2884-05	AC POWER CORD	KP	
640	1J,2K		E35-2256-05	FLAT CABLE (21P)		
641	2K		E35-2294-05	FLAT CABLE (17P)		
642	1J,2K	*	E35-2380-05	FLAT CABLE (33P)		
646	1K		F07-1660-01	COVER		
651	2J		G01-4094-04	TORSION COIL SPRING (A)		
652	2J		G01-4095-04	TORSION COIL SPRING (B)		
653			G01-4141-04	EXTENSION SPRING		
654	2K		G11-2470-04	CUSHION		
-	-	-	G10-0452-04	NON-WOVEN FABRIC		
-	-	-	G10-0461-04	NON-WOVEN FABRIC		
-	-	-	H10-7566-02	POLYSTYRENE FOAMED FIXTURE (L)		
-	-	-	H10-7567-02	POLYSTYRENE FOAMED FIXTURE (R)		
-	-	-	H21-0373-03	PROTECTION SHEET		
-	-	-	H25-1536-04	PROTECTION BAG	KPYX	

L : Scandinavia K : USA P : Canada R : Mexico C : China I : Malaysia
Y : PX(Far East, Hawaii) T : Europe E : Europe G : Germany V : China (Shanghai)
Y : AAFES(Europe) X : Australia Q : Russia H : Korea M : Other Areas Δ indicates safety critical components.

* New Parts
Parts without **Parts No.** are not supplied.
Les articles non mentionnés dans le **Parts No.** ne sont pas fournis.
Teile ohne **Parts No.** werden nicht geliefert.

4

Ref. No	Add-ress	New Parts	Parts No.	Description	Desti-nation	Re-marks
-	-	-	H25-1536-04	PROTECTION BAG	TEE1Q	
-	-	-	H25-1642-04	PROTECTION BAG		
-	-	*	H25-1654-04	PROTECTION BAG	MM1	
-	-	*	H50-3304-04	ITEM CARTON CASE	KP	
-	-	*	H50-3305-04	ITEM CARTON CASE	YX	
-	-	*	H50-3306-04	ITEM CARTON CASE	TE	
-	-	*	H50-3307-04	ITEM CARTON CASE	M	
-	-	*	H50-3308-04	ITEM CARTON CASE	Q	
-	-	*	H50-3309-04	ITEM CARTON CASE	E1	
-	-	*	H50-3310-04	ITEM CARTON CASE	M1	
-	-	*	H50-3311-04	ITEM CARTON CASE (RXD-702)	E	
-	-	*	H50-3318-04	ITEM CARTON CASE (RXD-702)	Q	
-	-	*	H50-3319-04	ITEM CARTON CASE (RXD-702)	E1	
658	1K		J19-3751-04	UNIT HOLDER		
659	1J		J19-5911-05	UNIT HOLDER		
660	2J		J19-5914-05	UNIT HOLDER		
661	1J	*	J19-5917-05	UNIT HOLDER	Q	
Δ 667	1K		J42-0083-05	POWER CORD BUSHING		
668	2H		J52-0039-05	PUSH LATCH		
-	-	-	J61-0307-05	WIRE BAND		
672	2H		K29-7466-04	KNOB (MAIN VOLUME)	EE1QM1	
672	2H		K29-7466-04	KNOB (MAIN VOLUME)	KPYMXT	
672	2H		K29-7543-04	KNOB (MAIN VOL)(RXD-702)	EE1Q	
675	2H		K29-7470-14	KNOB (MULTI)	EE1QM1	
675	2H		K29-7470-14	KNOB (MULTI)	KPYMXT	
675	2H	*	K29-7544-14	KNOB (MULTI) (RXD-702)	EE1Q	
676	2H		K29-7471-14	KNOB (SOUND)	EE1QM1	
676	2H		K29-7471-14	KNOB (SOUND)	KPYMXT	
676	2H	*	K29-7545-14	KNOB (SOUND) (RXD-702)	EE1Q	
Δ 681	1K	*	L07-2681-05	POWER TRANSFORMER	KP	
Δ 681	1K	*	L07-2682-05	POWER TRANSFORMER	TEE1	
Δ 681	1K	*	L07-2683-05	POWER TRANSFORMER	Q	
Δ 681	1K	*	L07-2684-05	POWER TRANSFORMER	YMM1	
Δ 681	1K	*	L07-2685-05	POWER TRANSFORMER	X	
685	1H		T90-0836-05	LEAD WIRE ANTENNA		
686	1H		T90-0837-05	LOOP ANTENNA		
RXD-652/652E/652W/A601						
601	1H		A01-3656-01	METALLIC CABINET		
602	1H		A09-1135-08	CABINET (REMOTE CONTROLLER)		
607	2H		A29-1055-03	PANEL ASSY (CD)		
608	2H		A53-2084-02	CASSETTE HOLDER (L)		
609	2H		A53-2085-02	CASSETTE HOLDER (R)		
612	2H	*	A53-2135-02	CASSETTE LID ASSY (L)		
613	2H	*	A53-2136-02	CASSETTE LID ASSY (R)		
615	2J	*	A60-1660-11	PANEL ASSY	MXEE1Q	
615	2J	*	A60-1661-11	PANEL ASSY	KP	
616	1H		A70-1288-05	REMOTE CONTROLLE ASSY(RC-852)	KPMX	
616	1H		A70-1289-05	REMOTE CONTROLLE ASSY(RC-852E)	EE1Q	
624	2H	*	B10-3500-02	FRONT GLASS	KP	
624	2H	*	B10-3501-02	FRONT GLASS	MX	
624	2H	*	B10-3502-02	FRONT GLASS	EE1Q	
625	2H	*	B11-0389-13	COLOR FILTER		
-	-	-	B46-0096-53	WARRANTY CARD	X	

L : Scandinavia K : USA P : Canada R : Mexico C : China I : Malaysia
Y : PX(Far East, Hawaii) T : Europe E : Europe G : Germany V : China (Shanghai)
Y : AAFES(Europe) X : Australia Q : Russia H : Korea M : Other Areas Δ indicates safety critical components.

Screen shows model RXD-702/EW

PARTS LIST

RXD-652/702/752/772S/852/A81/A601/A701

* New Parts
Parts without **Parts No.** are not supplied.
Les articles non mentionnés dans le **Parts No.** ne sont pas fournis.
Teile ohne **Parts No.** werden nicht geliefert.

5

Ref. No	Address	New Parts	Parts No.	Description	Destination	Remarks
-			B46-0310-03	WARRANTY CARD	EE1Q	
-			B46-0328-03	WARRANTY CARD	K	
-		*	B46-0346-00	QUESTIONNAIRE CARD	K	
-		*	B46-0347-03	WARRANTY CARD	P	
-		*	B58-1643-04	CAUTION CARD		
-			B60-4235-00	INSTRUCTION MANUAL (EN1)	KP	
-			B60-4236-00	INSTRUCTION MANUAL (FR)	PE	
-			B60-4237-00	INSTRUCTION MANUAL (ES)	E	
-			B60-4238-00	INSTRUCTION MANUAL (GE)	E	
-			B60-4239-00	INSTRUCTION MANUAL (IT)	E	
-			B60-4240-00	INSTRUCTION MANUAL (NE)	E	
-			B60-4241-00	INSTRUCTION MANUAL (TC)	M	
-		*	B60-4242-00	INSTRUCTION MANUAL (PL)	E1	
-		*	B60-4243-00	INSTRUCTION MANUAL (HU)	E1	
-		*	B60-4244-00	INSTRUCTION MANUAL (CZ)	E1	
-		*	B60-4245-00	INSTRUCTION MANUAL (RU)	Q	
-			B60-4246-00	INSTRUCTION MANUAL (EN2)	MXE1Q	
632	2J		D39-0334-15	DAMPER		
Δ 638	1H		E03-0115-05	AC PLUG ADAPTER	M	
Δ 639	1K		E30-2592-15	AC POWER CORD	MEE1Q	
Δ 639	1K		E30-2717-05	AC POWER CORD	X	
Δ 639	1K		E30-2884-05	AC POWER CORD	KP	
Δ 640	1J,2K		E35-2256-05	FLAT CABLE (21P)		
641	2K		E35-2294-05	FLAT CABLE (17P)		
642	1J,2K	*	E35-2380-05	FLAT CABLE (33P)		
646	1K		F07-1660-01	COVER		
651	2J		G01-4094-04	TORSION COIL SPRING (A)		
652	2J		G01-4095-04	TORSION COIL SPRING (B)		
653			G01-4141-04	EXTENSION SPRING		
654	2K		G11-2470-04	CUSHION		
-			G10-0452-04	NON-WOVEN FABRIC		
-			G10-0461-04	NON-WOVEN FABRIC		
-			H10-7566-02	POLYSTYRENE FOAMED FIXTURE(L)		
-			H10-7567-02	POLYSTYRENE FOAMED FIXTURE(R)		
-		*	H21-0373-03	PROTECTION SHEET	EE1Q	
-			H25-1536-04	PROTECTION BAG	KPX	
-			H25-1536-04	PROTECTION BAG		
-			H25-1642-04	PROTECTION BAG		
-		*	H25-1654-04	PROTECTION BAG	M	
-		*	H50-3298-04	ITEM CARTON CASE	KP	
-		*	H50-3299-04	ITEM CARTON CASE	X	
-		*	H50-3300-04	ITEM CARTON CASE	E	
-		*	H50-3301-04	ITEM CARTON CASE	M	
-		*	H50-3302-04	ITEM CARTON CASE	Q	
-		*	H50-3303-04	ITEM CARTON CASE	E1	
658	1K		J19-3751-04	UNIT HOLDER		
659	1J		J19-5911-05	UNIT HOLDER		
660	2J		J19-5914-05	UNIT HOLDER		
661	1J	*	J19-5917-05	UNIT HOLDER	Q	
Δ 667	1K		J42-0083-05	POWER CORD BUSHING		
668	2H		J52-0039-05	PUSH LATCH		

L : Scandinavia K : USA P : Canada R : Mexico C : China I : Malaysia
Y : PX(Far East, Hawaii) T : Europe E : Europe G : Germany V : China (Shanghai)
Y : AAFES(Europe) X : Australia Q : Russia H : Korea M : Other Areas Δ indicates safety critical components.

* New Parts
Parts without **Parts No.** are not supplied.
Les articles non mentionnés dans le **Parts No.** ne sont pas fournis.
Teile ohne **Parts No.** werden nicht geliefert.

6

Ref. No	Address	New Parts	Parts No.	Description	Destination	Remarks
-			J61-0307-05	WIRE BAND		
672	2H		K29-7562-04	KNOB (MAIN VOLUME)		
675	2H		K29-7470-14	KNOB (MULTI)		
676	2H		K29-7471-14	KNOB (SOUND)		
Δ 681	1K		L07-2686-05	POWER TRANSFORMER	KP	
Δ 681	1K		L07-2687-05	POWER TRANSFORMER	EE1	
Δ 681	1K		L07-2688-05	POWER TRANSFORMER	Q	
Δ 681	1K		L07-2689-05	POWER TRANSFORMER	M	
Δ 681	1K		L07-2690-05	POWER TRANSFORMER	X	
685	1H		T90-0836-05	LEAD WIRE ANTENNA		
686	1H		T90-0837-05	LOOP ANTENNA		
POWER SUPPLY UNIT (X00-294X-XX)						
C1			CE04LW1E332M	ELECTRO 3300UF	25WV	KP
C1			CE04LW1V332M	ELECTRO 3300UF	35WV	TEE1Q
C1			CE04LW1V332M	ELECTRO 3300UF	35WV	YMM1X
C2			CE04LW1E102M	ELECTRO 1000UF	25WV	KP
C2			CE04LW1V102M	ELECTRO 1000UF	35WV	TEE1Q
C2			CE04LW1V102M	ELECTRO 1000UF	35WV	YMM1X
C2		*	C90-3825-05	ELECTRO 4700UF	56WV	KP
C3 ,4		*	C90-3826-05	ELECTRO 4700UF	63WV	KP
C3 ,4		*	C90-3826-05	ELECTRO 4700UF	63WV	TEE1Q
C3 ,4		*	C90-3826-05	ELECTRO 4700UF	63WV	YMM1X
C3 ,4		*	C90-3827-05	ELECTRO 4700UF	75WV	KP
C3 ,4		*	C90-3828-05	ELECTRO 3900UF	63WV	TEE1Q
C3 ,4		*	C90-3828-05	ELECTRO 3900UF	63WV	YMX
C3 ,4		*	C90-3837-05	ELECTRO 3900UF	56WV	MXEE1Q
C5		*	C90-3664-05	ELECTRO 330UF	25WV	
C6			C90-3681-05	ELECTRO 2.2UF	50WV	
C7 ,8			C90-3671-05	ELECTRO 47UF	35WV	
C10			C90-3671-05	ELECTRO 47UF	35WV	
C11 ,12		*	C90-3686-05	ELECTRO 33UF	50WV	
C13 ,14		*	C90-3658-05	ELECTRO 10UF	16WV	
C15			C90-3671-05	ELECTRO 47UF	35WV	
C16			CE04LW1J221M	ELECTRO 220UF	63WV	
C19			C90-3671-05	ELECTRO 47UF	35WV	
C20			CK45FF1H103Z	CERAMIC 0.010UF	Z	XTEE1Q
C21			CK45FF1H103Z	CERAMIC 0.010UF	Z	
C22			C90-3644-05	ELECTRO 220UF	10WV	YMM1
C23			CQ93FMG1H104J	MYLAR 0.10UF	J	
C25 ,26			CQ93FMG1H104J	MYLAR 0.10UF	J	
C28			C90-3671-05	ELECTRO 47UF	35WV	
C33			CK45FF1H103Z	CERAMIC 0.010UF	Z	KP
C34 ,35		*	CE04LW1V222M	ELECTRO 2200UF	35WV	68
C34 ,35		*	C90-3831-05	ELECTRO 3300UF	35WV	TEE1Q
C34 ,35		*	C90-3831-05	ELECTRO 3300UF	35WV	YMM1X
C34 ,35		*	C90-3852-05	ELECTRO 3300UF	42WV	KP
C36			C90-3681-05	ELECTRO 2.2UF	50WV	
CN1			E40-4245-05	PIN ASSY		
CN1			E40-8126-05	PIN ASSY		
CN2			E40-8321-05	SOCKET FOR PIN ASSY		
Δ F1			F05-3121-05	FUSE (SEMKO) (250V T3.15AL)		MXEE1Q 8
Δ F1			F05-4025-05	FUSE (SEMKO) (250V T4A L)		TEE1Q 7
Δ F1			F05-4025-05	FUSE (SEMKO) (250V T4A L)		YMM1X 7

L : Scandinavia K : USA P : Canada R : Mexico C : China I : Malaysia
Y : PX(Far East, Hawaii) T : Europe E : Europe G : Germany V : China (Shanghai)
Y : AAFES(Europe) X : Australia Q : Russia H : Korea M : Other Areas Δ indicates safety critical components.

RXD-652/702/752/772S/852/A81/A601/A701
PARTS LIST

* New Parts
Parts without **Parts No.** are not supplied.
Les articles non mentionnés dans le **Parts No.** ne sont pas fournis.
Teile ohne **Parts No.** werden nicht geliefert.



Ref. No	Add-ress	New Parts	Parts No.	Description	Desti-nation	Re-marks
Δ F1		*	F06-2021-05	FUSE (SEMKO) (250V T2AL)	XEE1Q	6
Δ F1			F50-0076-05	FUSE(5X20)	KP	8
Δ F1			F50-0077-05	FUSE(5X20)	KP	7
Δ F2			F05-3121-05	FUSE (SEMKO) (250V T3.15AL)	YM	8
Δ F2			F05-4025-05	FUSE (SEMKO) (250V T4A L)	YMM1	7
Δ F2		*	F06-2021-05	FUSE (SEMKO) (250V T2AL)	M	6
Δ F3			F50-0073-05	FUSE(5X20)	KP	6
Δ F4			F50-0072-05	FUSE(5X20)	KP	6
Δ F4 ,5			F05-3121-05	FUSE (SEMKO) (250V T3.15AL)	MXEE1Q	6
Δ F4 ,5			F05-4025-05	FUSE (SEMKO) (250V T4A L)	TEE1Q	78
Δ F4 ,5			F05-4025-05	FUSE (SEMKO) (250V T4A L)	YMM1X	78
Δ F4 ,5			F50-0073-05	FUSE(5X20)	KP	8
Δ F6			F50-0072-05	FUSE(5X20)	KP	6
CN3 ,4			J13-0075-05	FUSE CLIP	KP	78
CN3 ,4			J13-0075-05	FUSE CLIP	TEE1Q	
CN3 ,4			J13-0075-05	FUSE CLIP	YMM1X	
CN5 ,6			J13-0075-05	FUSE CLIP	MM1	
CN7 ,8			J13-0075-05	FUSE CLIP	KP	6
CN9 ,10			J13-0075-05	FUSE CLIP	KP	6
CN9 ,10			J13-0075-05	FUSE CLIP	KP	8
CN9 ,10			J13-0075-05	FUSE CLIP	TEE1Q	
CN9 ,10			J13-0075-05	FUSE CLIP	YMM1X	
CN11,12			J13-0075-05	FUSE CLIP	KP	8
CN11,12			J13-0075-05	FUSE CLIP	TEE1Q	
CN13,14			J13-0075-05	FUSE CLIP	YMM1X	
E2			J19-3225-05	LEAD HOLDER	KP	6
Δ T1			L07-2654-05	POWER TRANSFORMER	KP	78
Δ T1			L07-2657-05	POWER TRANSFORMER	YMM1X	
Δ T1			L07-2661-05	POWER TRANSFORMER	TEE1Q	
R1			RD14NB2E1R0J	RD 1 1/4W	KP	
R1			RD14NB2E1R5J	RD 1.5 J 1/4W	TEE1Q	
R1			RD14NB2E1R5J	RD 1.5 J 1/4W	YMM1X	
R3			RD14NB2E222J	RD 2.2K J 1/4W		
R12			RD14NB2E332J	RD 3.3K J 1/4W		
Δ R13			RD14NB2E470J	RD 47 J 1/4W		
Δ R16			RD14NB2E4R7J	RD 4.7 J 1/4W		
R17			RD14NB2E272J	RD 2.7K J 1/4W		
Δ R21			RS14KB3A150J	FL-PROOF RS 15 J 1W		68
R25			RS14KB3D331J	FL-PROOF RS 330 J 2W	KP	8
R25			RS14KB3D331J	FL-PROOF RS 330 J 2W	TEE1Q	
R25			RS14KB3D331J	FL-PROOF RS 330 J 2W	YMM1X	
Δ R26			R92-1844-05	CARBON 3.3M J 1/2W	KP	
R28			RS14KB3D331J	FL-PROOF RS 330 J 2W		
Δ R29			RD14NB2E1R0J	RD 1 J 1/4W		
Δ R30			RD14NB2E4R7J	RD 4.7 J 1/4W		
R31 ,32			RS14KB3D331J	FL-PROOF RS 330 J 2W		
R38			RS14KB3A150J	FL-PROOF RS 15 J 1W		68
Δ K1		*	S76-0090-05	MAGNETIC RELAY		
Δ S1 ,2			S62-0001-05	SLIDE SWITCH	YMM1	
Δ D1		*	D4SBL20UF03	DIODE		68
Δ D1			TS4B03G	DIODE		
Δ D2			D2SBA20F03	DIODE		

L : Scandinavia K : USA P : Canada R : Mexico C : China I : Malaysia
Y : PX(Far East, Hawaii) T : Europe E : Europe G : Germany V : China (Shanghai)
Y : AAFES(Europe) X : Australia Q : Russia H : Korea M : Other Areas Δ indicates safety critical components.

* New Parts
Parts without **Parts No.** are not supplied.
Les articles non mentionnés dans le **Parts No.** ne sont pas fournis.
Teile ohne **Parts No.** werden nicht geliefert.



Ref. No	Add-ress	New Parts	Parts No.	Description	Desti-nation	Re-marks
Δ D3		*	D4SBL20UF03	DIODE		68
Δ D3			TS4B03G	DIODE		
Δ D4 -6			HSS104A	DIODE		
Δ D4 -6			1SS133	DIODE		
Δ D7			HZS6C2L	ZENER DIODE		
D8			HZS16N(B2)	ZENER DIODE	YMM1	
D8			MTZJ16(B)	ZENER DIODE	YMM1	
D9			HZS6.2N(B2)	ZENER DIODE		
D9			MTZJ6.2(B)	ZENER DIODE		
D10			HSS104A	DIODE		
D10			1SS133	DIODE		
D11			HZS6.8N(B2)	ZENER DIODE		
D11			MTZJ6.8(B)	ZENER DIODE		
D12 ,13			HZS20N(B2)	ZENER DIODE		
D12 ,13			MTZJ20(B)	ZENER DIODE		
Δ D14			1T2	DIODE		
Δ D15 -19			HSS104A	DIODE		
Δ D15 -19			1SS133	DIODE		
Δ IC1			TA7809SB	ANALOGUE IC		
Δ IC2			TA7805SB	ANALOGUE IC		
Δ Q1			DTC143TSA	DIGITAL TRANSISTOR		
Δ Q1			UN4216	DIGITAL TRANSISTOR		
Δ Q2			2SC2003(L,K)	TRANSISTOR		
Δ Q3			KTA1273	TRANSISTOR	KPX	
Δ Q3			KTA1273	TRANSISTOR	TEE1Q	
Δ Q3			2SA1534A(R,S)	TRANSISTOR	KPX	
Δ Q3			2SA1534A(R,S)	TRANSISTOR	TEE1Q	
Δ Q3			2SB1370(E,F)	TRANSISTOR	YMM1	
Δ Q3			2SB1375	TRANSISTOR	YMM1	
Δ Q4			2SB1624*2	TRANSISTOR	YMM1	
Q5			KTC3199(Y,GR)	TRANSISTOR		
Q5			2SC2785(F,E)	TRANSISTOR		
Q5			2SC3311A(Q,R)	TRANSISTOR		
Q6		*	KTA1268	TRANSISTOR		
Q6			2SA992(F,E)	TRANSISTOR		
Q7			KTC3199(Y,GR)	TRANSISTOR	YMM1	
Q7			2SC2785(F,E)	TRANSISTOR	YMM1	
Q7			2SC3311A(Q,R)	TRANSISTOR	YMM1	
Δ Q8			KTC3205	TRANSISTOR		
Δ Q8			2SC3940A(R,S)	TRANSISTOR		
C1		*	CE04HW1H010M	NP-ELEC	1.0UF	50WV
C2 ,3			C91-1566-05	FILM	0.01UF	G
C4			CE04LW1A470M	ELECTRO	47UF	10WV
C5 ,6			CQ93FMG1H102J	MYLAR	1000PF	J
C7			CC45FSL1H331J	CERAMIC	330PF	J
C8			CK45FB1H102K	CERAMIC	1000PF	K
C9			CC93FCH1H471J	CERAMIC	470PF	J
C10 ,11			CE04LW1HR47M	ELECTRO	0.47UF	50WV
C12			CK45FF1H473Z	CERAMIC	0.047UF	Z
C13 -15			CE04LW1H010M	ELECTRO	1.0UF	50WV
C16			CK45FF1H103Z	CERAMIC	0.010UF	Z
C17 ,18			CE04LW1H2R2M	ELECTRO	2.2UF	50WV
C19 ,20			CQ93FMG1H682J	MYLAR	6800PF	J
C21			CK45FF1H103Z	CERAMIC	0.010UF	Z

L : Scandinavia K : USA P : Canada R : Mexico C : China I : Malaysia
Y : PX(Far East, Hawaii) T : Europe E : Europe G : Germany V : China (Shanghai)
Y : AAFES(Europe) X : Australia Q : Russia H : Korea M : Other Areas Δ indicates safety critical components.

PARTS LIST

RXD-652170217521772S/852/A81/A601/A701

* New Parts
Parts without **Parts No.** are not supplied.
Les articles non mentionnés dans le **Parts No.** ne sont pas fournis.
Teile ohne **Parts No.** werden nicht geliefert.



Ref. No	Add-ress	New Parts	Parts No.	Description	Desti-nation	Re-marks
C22			CE04LW1A470M	ELECTRO 47UF 10WV		
C23 ,24			CQ93FMG1H472J	MYLAR 4700PF J		
C26			CE04LW1H2R2M	ELECTRO 2.2UF 50WV		
TC1		*	C05-0463-05	CERAMIC TRIMMER CAPACITOR(120P		
CN1		*	E40-8288-05	FLAT CABLE CONNECTOR		
CN2 ,3		*	E40-4871-05	PIN ASSY		
CN6		*	E40-4872-05	PIN ASSY		
L1		*	L39-1350-05	PEAKING COIL		
L2 ,3			L79-1236-05	LC FILTER		
R9			RS14KB3A221J	FL-PROOF RS 220 J 1W		
VR1			R32-0037-05	SEMI FIXED VARIABLE RESISTOR		
VR2			R32-0036-05	SEMI FIXED VARIABLE RESISTOR		
D1			HZS5.1N(B2)	ZENER DIODE		
D1			MTZJ5.1(B)	ZENER DIODE		
D2			RB721Q	DIODE		
D3			HSS104	DIODE		
D3			1SS133	DIODE		
D4			HZS5.1N(B2)	ZENER DIODE		
D4			MTZJ5.1(B)	ZENER DIODE		
D6 ,7			HSS104	DIODE		
D6 ,7			1SS133	DIODE		
IC1		*	IR3R42	ANALOGUE IC		
IC2			NJM4565D	ANALOGUE IC		
IC3			TC4052BP	MOS-IC		
Q1			2SA1175(F,E)	TRANSISTOR		
Q1			2SA933AS(Q,R)	TRANSISTOR		
Q5		*	DTC144ESA	DIGITAL TRANSISTOR		
Q5		*	KRC104M	TRANSISTOR		
Q5		*	UN4213	DIGITAL TRANSISTOR		
POWER AMPLIFIER UNIT (X07-304X-XX)						
C1 ,2			CE04LW1H4R7M	ELECTRO 4.7UF 50WV		
C3 ,4			CC45FSL1H100D	CERAMIC 10PF D	TEE1Q	
C3 ,4			CC45FSL1H100D	CERAMIC 10PF D	YMM1X	
C3 ,4			CC45FSL1H470J	CERAMIC 47PF J	KP	
C5 ,6			CE04LW1H100M	ELECTRO 10UF 50WV		7
C5 ,6			CE04LW1H4R7M	ELECTRO 4.7UF 50WV		68
C7 ,8			CC45FSL1H470J	CERAMIC 47PF J		
C9			CK45FF1H103Z	CERAMIC 0.010UF Z	TEE1Q	68
C9			CK45FF1H103Z	CERAMIC 0.010UF Z	YMX	68
C10			CK45FB1H471K	CERAMIC 470PF K		68
C11			CK45FF1H103Z	CERAMIC 0.010UF Z	TEE1Q	68
C11			CK45FF1H103Z	CERAMIC 0.010UF Z	YMX	68
C12			CK45FF1H103Z	CERAMIC 0.010UF Z		
C15 ,16			CE04LW1C100M	ELECTRO 10UF 16WV		7
C15 ,16			CE04LW1V4R7M	ELECTRO 4.7UF 35WV		68
C17 ,18			CC45FSL1H100D	CERAMIC 10PF D		
C19 ,20			CK45FB1H222K	CERAMIC 2200PF K		
C21 ,22			CQ93FMG1H104J	MYLAR 0.10UF J	KP	
C21 ,22			CQ93FMG1H224J	MYLAR 0.22UF J	TEE1Q	
C21 ,22			CQ93FMG1H224J	MYLAR 0.22UF J	YMM1X	
C23 ,24			CQ93FMG1H224J	MYLAR 0.22UF J	TEE1Q	
C23 ,24			CQ93FMG1H224J	MYLAR 0.22UF J	YMM1X	
C25 ,26			CE04LW1A101M	ELECTRO 100UF 10WV		

L : Scandinavia K : USA P : Canada R : Mexico C : China I : Malaysia
Y : PX(Far East, Hawaii) T : Europe E : Europe G : Germany V : China (Shanghai)
Y : AAFES(Europe) X : Australia Q : Russia H : Korea M : Other Areas Δ indicates safety critical components.

* New Parts
Parts without **Parts No.** are not supplied.
Les articles non mentionnés dans le **Parts No.** ne sont pas fournis.
Teile ohne **Parts No.** werden nicht geliefert.



Ref. No	Add-ress	New Parts	Parts No.	Description	Desti-nation	Re-marks
C27 ,28			CC45FSL1H100D	CERAMIC 10PF D		78
C27 ,28			CC45FSL1H150J	CERAMIC 15PF J		6
C29 ,30			CK45FB1H222K	CERAMIC 2200PF K		68
C29 ,30			CK45FF1H103Z	CERAMIC 0.010UF Z		7
C31 ,32			CQ93FMG1H224J	MYLAR 0.22UF J	TEE1Q	
C31 ,32			CQ93FMG1H224J	MYLAR 0.22UF J	YMM1X	
C33 ,34			CQ93FMG1H104J	MYLAR 0.10UF J	KP	
C33 ,34			CQ93FMG1H224J	MYLAR 0.22UF J	TEE1Q	
C33 ,34			CQ93FMG1H224J	MYLAR 0.22UF J	YMM1X	
C35 ,36			CK45FB1H332K	CERAMIC 3300PF K		
C37 -39			CK45FF1H472Z	CERAMIC 4700PF Z		
C55			C90-3707-05	ELECTRO 10UF 100WV		
C56			C90-3440-05	ELECTRO 10UF 100WV		
C57 ,58			CK45FE2H472P	CERAMIC 4700PF P		
C59		*	C90-3415-05	ELECTRO 47UF 50WV		7
C60			C90-3687-05	ELECTRO 47UF 50WV		7
C61 ,62			C90-3440-05	ELECTRO 10UF 100WV		7
C63 ,64			CK45FE2H472P	CERAMIC 4700PF P		7
C63 ,64			C90-3688-05	ELECTRO 100UF 50WV		68
C65 ,66			C90-3687-05	ELECTRO 47UF 50WV		
C67 ,68			CC45FSL1H221J	CERAMIC 220PF J		7
C69 ,70			CC45FSL1H221J	CERAMIC 220PF J		68
C69 ,70			CC45FSL1H331J	CERAMIC 330PF J		
C77			C90-3707-05	ELECTRO 10UF 100WV		
C78			C90-3707-05	ELECTRO 10UF 100WV		6
C78			C90-3707-05	ELECTRO 10UF 100WV	KP	7
C78		*	C90-3708-05	ELECTRO 22UF 100WV	TEE1Q	7
C78		*	C90-3708-05	ELECTRO 22UF 100WV	YMM1X	7
C81			CQ93FMG1H103J	MYLAR 0.010UF J		
C82			CQ93FMG1H102J	MYLAR 1000PF J		
C84			CE04LW1A470M	ELECTRO 47UF 10WV		
C85			CE04LW1V4R7M	ELECTRO 4.7UF 35WV		
C87			CK45FB1H332K	CERAMIC 3300PF K		7
C97 ,98			CE04LW1H4R7M	ELECTRO 4.7UF 50WV		7
C99			C90-3658-05	ELECTRO 10UF 16WV		7
C100			C90-3684-05	ELECTRO 10UF 50WV		7
C103 ,104			CF92FV1H154J	MF-C 0.15UF J		7
C105 ,106			CQ93FMG1H823J	MYLAR 0.082UF J		7
C109 ,110			CE04LW1H100M	ELECTRO 10UF 50WV		7
CN1			E40-3259-05	PIN ASSY		
CN2			E40-3912-05	PIN ASSY		
J1			E70-0045-05	LOCK TERMINAL BOARD		
J2		*	E70-0110-05	LOCK TERMINAL BOARD		7
J3			E63-0116-05	PHONO JACK		68
J4		*	E70-0046-05	LOCK TERMINAL BOARD		68
E6 ,7			J19-3216-05	LEAD HOLDER		68
L1 -4			L39-0085-05	PHASE COMPENSATION COIL		68
L1 -4			L39-1373-05	PHASE COMPENSATION COIL		7
K		*	N09-5116-05	SEMS (TAPTITE SCREW)(3X12 B-TI	KP1	78
R7 ,8			RS14KB3D331J	FL-PROOF RS 330 J 2W		
R49 ,50			R92-1866-05	METAL FILM 0.1 2W		

L : Scandinavia K : USA P : Canada R : Mexico C : China I : Malaysia
Y : PX(Far East, Hawaii) T : Europe E : Europe G : Germany V : China (Shanghai)
Y : AAFES(Europe) X : Australia Q : Russia H : Korea M : Other Areas Δ indicates safety critical components.

PARTS LIST
RXD-652/702/752/772S/852/A81/A601/A701

* New Parts

Parts without **Parts No.** are not supplied.Les articles non mentionnés dans le **Parts No.** ne sont pas fournis.Teile ohne **Parts No.** werden nicht geliefert.

11

Ref. No	Add-ress	New Parts	Parts No.	Description	Desti-nation	Re-marks
R51 ,52			RD14BB2C302J	RD		78
R59 ,60			RS14KB3D4R7J	FL-PROOF RS		
R67 ,68			R92-1866-05	METAL FILM		
R77 ,78			RS14KB3D4R7J	FL-PROOF RS		
R81 -84			RD14NB2E4R7J	RD		
R92			RS14KB3A392J	FL-PROOF RS		7
R94			RS14KB3A392J	FL-PROOF RS		7
R100			RS14KB3D181J	FL-PROOF RS	KP	8
R100			RS14KB3D221J	FL-PROOF RS	TEE1Q	8
R100			RS14KB3D221J	FL-PROOF RS	YMX	8
R100			RS14KB3D330J	FL-PROOF RS	KP	6
R100			RS14KB3D331J	FL-PROOF RS	MXEE1Q	6
R100			RS14KB3D470J	FL-PROOF RS	TEE1Q	7
R100			RS14KB3D470J	FL-PROOF RS	YMM1X	7
R100			RS14KB3D561J	FL-PROOF RS	KP	7
R107,108			RD14NB2E2R2J	RD		
R115			RD14NB2E103J	RD		
R116			RD14NB2E103J	RD		6
R116			RD14NB2E103J	RD	KP	7
R116			RD14NB2E472J	RD		8
R116			RD14NB2E472J	RD		
R116			RD14NB2E472J	RD	TEE1Q	7
R116			RD14NB2E472J	RD	YMM1X	7
R121			RD14BB2C203J	RD		68
R124,125			RS14KB3A392J	FL-PROOF RS		
R126			RD14BB2C103J	RD		68
R127			RD14BB2C104J	RD		68
R128			RD14BB2C203J	RD		68
R139			RD14BB2C621J	RD		68
R140-142			RD14BB2C123J	RD		68
R143,144			RS14KB3A101J	FL-PROOF RS		68
R177			RD14BB2C621J	RD		68
R178			RS14KB3D181J	FL-PROOF RS	KP	8
R178			RS14KB3D221J	FL-PROOF RS	TEE1Q	8
R178			RS14KB3D221J	FL-PROOF RS	YMX	8
R178			RS14KB3D330J	FL-PROOF RS	KP	6
R178			RS14KB3D331J	FL-PROOF RS	MXEE1Q	6
R178			RS14KB3D470J	FL-PROOF RS	TEE1Q	7
R178			RS14KB3D470J	FL-PROOF RS	YMM1X	7
R178			RS14KB3D561J	FL-PROOF RS	KP	7
K1 ,2			S76-0045-15	MAGNETIC RELAY		
S1			S62-0077-05	SLIDE SWITCH		7
D1			HZS13N(B2)	ZENER DIODE		8
D1			HZS18N(B2)	ZENER DIODE	KP	7
D1			MTZJ13(B)	ZENER DIODE		8
D1			MTZJ18(B)	ZENER DIODE	KP	7
D2			HZS16N(B2)	ZENER DIODE		8
D2			HZS16N(B2)	ZENER DIODE	KP	7
D2			MTZJ16(B)	ZENER DIODE		8
D2			MTZJ16(B)	ZENER DIODE	KP	7
D3			HZS5.1N(B2)	ZENER DIODE		
D3			MTZJ5.1(B)	ZENER DIODE		
D4 ,5			HZS6.8N(B2)	ZENER DIODE	TEE1Q	7
D4 ,5			HZS6.8N(B2)	ZENER DIODE	YMM1X	7
D4 ,5			HZS8.2N(B2)	ZENER DIODE	KP	7

L : Scandinavia K : USA P : Canada R : Mexico C : China I : Malaysia

Y : PX(Far East, Hawaii) T : Europe E : Europe G : Germany V : China (Shanghai)

Y : AAFES(Europe) X : Australia Q : Russia H : Korea M : Other Areas Δ indicates safety critical components.

* New Parts

Parts without **Parts No.** are not supplied.Les articles non mentionnés dans le **Parts No.** ne sont pas fournis.Teile ohne **Parts No.** werden nicht geliefert.

12

Ref. No	Add-ress	New Parts	Parts No.	Description	Desti-nation	Re-marks
D4 ,5			MTZJ6.8(B)	ZENER DIODE	TEE1Q	7
D4 ,5			MTZJ6.8(B)	ZENER DIODE	YMM1X	7
D4 ,5			MTZJ8.2(B)	ZENER DIODE	KP	7
D6 -8			HSS104A	DIODE		
D6 -8			1SS133	DIODE		
D9			HZS18N(B2)	ZENER DIODE		8
D9			HZS18N(B2)	ZENER DIODE	TEE1Q	7
D9			HZS18N(B2)	ZENER DIODE	YMM1X	7
D9			HZS30N(B2)	ZENER DIODE	KP	7
D9			MTZJ18(B)	ZENER DIODE		8
D9			MTZJ18(B)	ZENER DIODE	TEE1Q	7
D9			MTZJ18(B)	ZENER DIODE	YMM1X	7
D9			MTZJ30(B)	ZENER DIODE	KP	7
D10			HZS11N(B2)	ZENER DIODE	KP	7
D10			HZS16N(B2)	ZENER DIODE	KP	8
D10			HZS18N(B2)	ZENER DIODE	TEE1Q	78
D10			HZS18N(B2)	ZENER DIODE	YMM1X	78
D10			MTZJ11(B)	ZENER DIODE	KP	7
D10			MTZJ16(B)	ZENER DIODE	KP	8
D10			MTZJ18(B)	ZENER DIODE	TEE1Q	78
D10			MTZJ18(B)	ZENER DIODE	YMM1X	78
Δ D10			MTZJ18(B)	ZENER DIODE		
Δ D19 ,20			HSS104A	DIODE		
Δ D19 ,20			1SS133	DIODE		
D21			HSS104A	DIODE		7
D21			1SS133	DIODE		7
D22 ,23			HZS6.8N(B2)	ZENER DIODE	TEE1Q	7
D22 ,23			HZS6.8N(B2)	ZENER DIODE	YMM1X	7
D22 ,23			HZS8.2N(B2)	ZENER DIODE	KP	7
D22 ,23			MTZJ6.8(B)	ZENER DIODE	TEE1Q	7
D22 ,23			MTZJ6.8(B)	ZENER DIODE	YMM1X	7
D22 ,23			MTZJ8.2(B)	ZENER DIODE	KP	7
D25			HSS104A	DIODE		
D25			1SS133	DIODE		
D28 ,29			HSS104A	DIODE		68
D28 ,29			1SS133	DIODE		68
Δ IC1		*	STK407-090E	HYBRID IC		6
Δ IC1		*	STK407-120E	HYBRID IC		8
Δ IC1			STK411-220D	HYBRID IC	TEE1Q	7
Δ IC1			STK411-220D	HYBRID IC	YMM1X	7
Δ IC1			STK411-230D	HYBRID IC	KP	7
Δ IC2			STK411-220D	HYBRID IC	TEE1Q	7
Δ IC2			STK411-220D	HYBRID IC	YMM1X	7
Δ IC2			STK411-230D	HYBRID IC	KP	7
Δ IC2			STK499-120	HYBRID IC		68
Δ IC3			NJM4565D-D	IC(OP AMP X2)		7
Q1 ,2			2SC2878(B)	TRANSISTOR		
Q3 ,4		*	KTD1303	TRANSISTOR		
Q3 ,4		*	2SD2144S(U,V)	TRANSISTOR		
Q5 ,6			2SC2878(B)	TRANSISTOR		
Q7 ,8		*	KTD1303	TRANSISTOR		
Q7 ,8			2SD2144S(U,V)	TRANSISTOR		
Q9 -12			2SC1845(F,E)	TRANSISTOR		
Q13			DTC113ZSA	DIGITAL TRANSISTOR		
Q14			2SC2003(L,K)	TRANSISTOR		68
Q14			2SC2003(L,K)	TRANSISTOR	KP	7

L : Scandinavia K : USA P : Canada R : Mexico C : China I : Malaysia

Y : PX(Far East, Hawaii) T : Europe E : Europe G : Germany V : China (Shanghai)

Y : AAFES(Europe) X : Australia Q : Russia H : Korea M : Other Areas Δ indicates safety critical components.

PARTS LIST

RXD-652/702/752/772S/852/A81/A601/A701

* New Parts
Parts without **Parts No.** are not supplied.
Les articles non mentionnés dans le **Parts No.** ne sont pas fournis.
Teile ohne **Parts No.** werden nicht geliefert.

13

Ref. No	Add-ress	New Parts	Parts No.	Description	Desti-nation	Re-marks
Q17			DTC113ZSA	DIGITAL TRANSISTOR		
Q18			2SC2525	TRANSISTOR		68
Q18			2SC3245A(F)	TRANSISTOR	TEE1Q	7
Q18			2SC3245A(F)	TRANSISTOR	YMM1X	7
Q18			2SD2012	TRANSISTOR	KP	7
Q19			2SA1285A(F)	TRANSISTOR		6
Q19			2SB1370	TRANSISTOR		7
Q19			2SB1640	TRANSISTOR		8
Q25		*	KTA1268	TRANSISTOR		
Q25			2SA992(F,E)	TRANSISTOR		
Q26 ,27		*	KTC3200	TRANSISTOR		
Q26 ,27			2SC1845(F,E)	TRANSISTOR		
Q28			DTC113ZSA	DIGITAL TRANSISTOR		7
SUB-CIRCUIT UNIT (X13-763/764X-XX)						
C1 ,2			CC73FCH1H221J	CHIP C		
C3 ,4			CC73FCH1H220J	CHIP C		
C5 ,6			CE04LW1H010M	ELECTRO		
C9 ,10			CE04LW1H010M	ELECTRO	TEE1Q	
C11 ,12			CE04LW1H010M	ELECTRO		
C13 ,14			CE04LW1H3R3M	ELECTRO		7
C15 ,16			CK73FB1C104K	CHIP C		
C17 ,18			CE04LW1HR33M	ELECTRO		
C19 ,20			CK73FB1E273KTA	CHIP C		
C21 ,22			CE04LW1H010M	ELECTRO		
C23 ,24			CK73FB1H103K	CHIP C		
C25 ,26			CK73FF1C224Z	CHIP C		
C27 ,28			CK73FB1H472K	CHIP C		
C29 -36			CE04LW1H3R3M	ELECTRO		
C37			CK73FF1C224Z	CHIP C		
C41 ,42		*	C90-3645-05	ELECTRO		
C43			C90-3684-05	ELECTRO		
C44			CC73FCH1H221J	CHIP C		
C45 ,46			CC73FCH1H101J	CHIP C		
C47 ,48			CK73FB1H122K	CHIP C		
C49			CK73FB1C104K	CHIP C		
C50			CC73FCH1H101J	CHIP C		
C51			CK73FB1C104K	CHIP C		
C52			CK73FB1H103K	CHIP C		
C53			CK73FB1H102K	CHIP C		
C54			CK73FB1C104K	CHIP C		
C55			CK73FF1C105Z	CHIP C		
C56			CC73FCH1H180J	CHIP C		
C57			CC73FCH1H220J	CHIP C		
C58			CC73FCH1H471J	CHIP C		
C59			CK45FB1H471K	CERAMIC		
C60			CK45FF1H472Z	CERAMIC		
C61 ,62			C90-3680-05	ELECTRO		
C63		*	C90-3639-05	ELECTRO		
C64			CK73FB1H103K	CHIP C		
C65			C90-3643-05	ELECTRO		
C71			C90-3659-05	ELECTRO		
C72			C90-3680-05	ELECTRO		
C73			C90-3715-05	ELECTRO	TEE1Q	
C76			C90-3643-05	ELECTRO		

L : Scandinavia K : USA P : Canada R : Mexico C : China I : Malaysia
Y : PX(Far East, Hawaii) T : Europe E : Europe G : Germany V : China (Shanghai)
Y : AAFES(Europe) X : Australia Q : Russia H : Korea M : Other Areas Δ indicates safety critical components.

* New Parts
Parts without **Parts No.** are not supplied.
Les articles non mentionnés dans le **Parts No.** ne sont pas fournis.
Teile ohne **Parts No.** werden nicht geliefert.

14

Ref. No	Add-ress	New Parts	Parts No.	Description	Desti-nation	Re-marks
C81			C90-3681-05	ELECTRO		
C82			CC73FCH1H331J	CHIP C		
C83			CK73FB1H103K	CHIP C		
C84			CC73FCH1H561J	CHIP C		
C85			C90-3714-05	ELECTRO		
C86			CK73FB1H103K	CHIP C		
C87			CC73FCH1H220J	CHIP C		
C88			CC73FCH1H470J	CHIP C		
C89			CK73FB1H223K	CHIP C		
C301-310			CK73FB1C104K	CHIP C		68
C312			CK73FB1C104K	CHIP C		68
C313			CC73FCH1H050C	CHIP C		68
C315 ,316			CC73FCH1H101J	CHIP C		68
C317 ,318			CC73FCH1H331J	CHIP C		68
C319 ,320			CK73FB1H102K	CHIP C		68
C321-324			CK73FB1H331K	CHIP C		68
C325 ,326			CE04LW1H010M	ELECTRO		68
C327 ,328			CE04LW1C100M	ELECTRO		68
C329			CK73FB1H102K	CHIP C		68
C330			CK73FB1H222J	CHIP C		68
C331			CK73FB1H102K	CHIP C		68
C332			CK73FB1H222K	CHIP C		68
C333			CC73FCH1H470J	CHIP C		68
C334			CC73FCH1H101J	CHIP C		68
C335 ,336			CE04LW1H3R3M	ELECTRO		68
C337			CC73FCH1H050C	CHIP C		68
C338			C90-3646-05	ELECTRO		68
C339 ,340			CE04LW1C100M	ELECTRO		68
C341 ,342			CE04LW1H3R3M	ELECTRO		68
C343 ,344			CK73FB1H102K	CHIP C		68
C345			CC73FCH1H101J	CHIP C		68
C346			C90-3659-05	ELECTRO		68
C347			C90-3643-05	ELECTRO		68
C348			C90-3646-05	ELECTRO		68
C349			CK73FB1H103K	CHIP C		68
C350 ,351			C90-3717-05	ELECTRO		68
C352			CK73FB1H103K	CHIP C		68
C353 ,354			CE04LW1H3R3M	ELECTRO		68
C355 ,356			CK73FB1C104K	CHIP C		68
C357			CK73FB1H103K	CHIP C		68
C358			C90-3659-05	ELECTRO		68
C360 ,361			CC73FCH1H101J	CHIP C		68
C362			CK73FB1H103K	CHIP C		68
C363			CK45FF1H103Z	CERAMIC		68
C365 ,366			CC73FCH1H221J	CHIP C		68
C367			CK73EB1H103K	CHIP C		68
C368 ,369			CK73FB1H103K	CHIP C		68
C370			CK73FB1H102K	CHIP C		68
C371			CK73FF1C105Z	CHIP C		68
C372			CK73FB1H103K	CHIP C		68
C373			CC73FCH1H101J	CHIP C		68
C374 ,375			CC73ECH1H470J	CHIP C		68
C376			CK73FB1H102K	CHIP C		68
C377			CC73FCH1H101J	CHIP C		68
C378			CK73FF1C105Z	CHIP C		68

L : Scandinavia K : USA P : Canada R : Mexico C : China I : Malaysia
Y : PX(Far East, Hawaii) T : Europe E : Europe G : Germany V : China (Shanghai)
Y : AAFES(Europe) X : Australia Q : Russia H : Korea M : Other Areas Δ indicates safety critical components.

PARTS LIST

RXD-652/702/752/772S/852/A81/A601/A701

* New Parts

Parts without **Parts No.** are not supplied.Les articles non mentionnés dans le **Parts No.** ne sont pas fournis.Teile ohne **Parts No.** werden nicht geliefert.

15

Ref. No	Add- ress	New Parts	Parts No.	Description	Desti- nation	Re- marks
C379			CC73FCH1H101J	CHIP C	100PF	J
C380			CC73FCH1H470J	CHIP C	47PF	J
C381			CC73FCH1H101J	CHIP C	100PF	J
C381			CK73FB1H102K	CHIP C	1000PF	K
C382			CC73FCH1H101J	CHIP C	100PF	J
C383,384			CK73FB1H103K	CHIP C	0.010UF	K
C385,386			C91-0757-05	CERAMIC	1000PF	K
C390			C90-3659-05	ELECTRO	22UF	16WV
C391			CK73FB1H103K	CHIP C	0.010UF	K
C392,393			CC73FCH1H101J	CHIP C	100PF	J
C394			C91-0757-05	CERAMIC	1000PF	K
C395			CK73EB1H103K	CHIP C	0.010UF	K
C396			CK73FB1C104K	CHIP C	0.10UF	K
C501			C90-3643-05	ELECTRO	100UF	10WV
C502			CC73FCH1H680J	CHIP C	68PF	J
C503			CK73FB1H103K	CHIP C	0.010UF	K
C504			C90-3643-05	ELECTRO	100UF	10WV
C505			CK73FB1E333KTA	CHIP C	0.033UF	K
C506			C90-3640-05	ELECTRO	470UF	6.3WV
C507			CC73FCH1H471J	CHIP C	470PF	J
C508			CK73FB1C104K	CHIP C	0.10UF	K
C509			CE04EW1C471M	ELECTRO	470UF	16WV
C510			CC73FCH1H101J	CHIP C	100PF	J
C511			CK73FB1C104K	CHIP C	0.10UF	K
C512			CK73FB1H102K	CHIP C	1000PF	K
C513			CK73FB1C104K	CHIP C	0.10UF	K
C514			C90-3643-05	ELECTRO	100UF	10WV
C515,516			CC73FCH1H470J	CHIP C	47PF	J
C515,516			CC73FCH1H470J	CHIP C	47PF	J
C517			C90-3643-05	ELECTRO	100UF	10WV
C518			C90-3643-05	ELECTRO	100UF	10WV
C519			CK73FB1E473KTA	CHIP C	0.047UF	K
C520			CK73FB1H152K	CHIP C	1500PF	K
C521			CK73FB1H103K	CHIP C	0.010UF	K
C522			CK73FB1H332K	CHIP C	3300PF	K
C523			CE04HW1HR47M	NP-ELEC	0.47UF	50WV
C524			CC73FCH1H221J	CHIP C	220PF	J
C525			CK73FB1H223K	CHIP C	0.022UF	K
C526			CC73FCH1H221J	CHIP C	220PF	J
C527			CK45FF1H103Z	CERAMIC	0.010UF	Z
C528			CK73FB1C104K	CHIP C	0.10UF	K
C530			CK73FB1C104K	CHIP C	0.10UF	K
C530			CK73FB1C104K	CHIP C	0.10UF	K
C531,532			CQ93FMG1H821J	MYLAR	820PF	J
C533,534			CQ92FM1H151K	MYLAR	150PF	K
C535,536			CQ93FMG1H821J	MYLAR	820PF	J
C537			CK73FB1H103K	CHIP C	0.010UF	K
C538			CE04LW1C101M	ELECTRO	100UF	16WV
C541,542			CK73FF1C105Z	CHIP C	1.0UF	Z
C543-546			CK73FB1C104K	CHIP C	0.10UF	K
C547			CK73EB1H103K	CHIP C	0.010UF	K
C548			CK45FF1H103Z	CERAMIC	0.010UF	Z
C549			CQ93FMG1H473J	MYLAR	0.047UF	J

L : Scandinavia

K : USA

P : Canada

R : Mexico

C : China

I : Malaysia

Y : PX(Far East, Hawaii)

T : Europe

E : Europe

G : Germany

V : China (Shanghai)

Y : AAFES(Europe)

X : Australia

Q : Russia

H : Korea

M : Other Areas

Δ indicates safety critical components.

* New Parts

Parts without **Parts No.** are not supplied.Les articles non mentionnés dans le **Parts No.** ne sont pas fournis.Teile ohne **Parts No.** werden nicht geliefert.

15

Ref. No	Add- ress	New Parts	Parts No.	Description	Desti- nation	Re- marks
CN2			E40-8122-05	FLAT CABLE CONNECTOR		
CN3			E40-8320-05	PIN ASSY		
CN4			E40-4908-05	FLAT CABLE CONNECTOR		
CN5			E40-4920-05	FLAT CABLE CONNECTOR		
CN5			E40-8332-05	FLAT CABLE CONNECTOR		
J1			E63-1037-05	PHONO JACK		
J2			E20-0321-05	LOCK TERMINAL BOARD(2P,F)		
E6			J11-0809-05	WIRE CLAMPER		
L201			L40-1001-17	SMALL FIXED INDUCTOR(10UH,K)	TEE1Q	
L302			L92-0017-05	FERRITE CORE	KP	68
L501-503			L40-1001-17	SMALL FIXED INDUCTOR(10UH,K)	TEE1Q	
X1			L78-0294-05	RESONATOR (10.000M)		
X2			L77-2173-05	CRYSTAL RESONATOR(32.768KHZ)		
X3			L77-2002-05	CRYSTAL RESONATOR(4.332MHZ)	TEE1Q	
X301		*	L77-2250-05	CRYSTAL RESONATOR(33.8688MHZ)		68
X501			L77-2190-05	CRYSTAL RESONATOR(16.9344MHZ)	TEE1Q	
X501			L77-2190-05	CRYSTAL RESONATOR(16.9344MHZ)	YMM1X	
X501			L78-0299-05	RESONATOR (16.93M)	KP	
R1 ,2			RK73FB2A102J	CHIP R	1.0K	J 1/10W
R3 ,4			RK73FB2A104J	CHIP R	100K	J 1/10W
R5 ,6			RK73FB2A102J	CHIP R	1.0K	J 1/10W
R7 ,8			RK73FB2A104J	CHIP R	100K	J 1/10W
R14			RK73FB2A821J	CHIP R	820	J 1/10W
R21			RK73FB2A393J	CHIP R	39K	J 1/10W
R22			RK73FB2A183J	CHIP R	18K	J 1/10W
R23			RK73FB2A102J	CHIP R	1.0K	J 1/10W
Δ R27 ,28			RD14NB2E151J	RD	150	J 1/4W
Δ R29			RD14NB2E221J	RD	220	J 1/4W
R35 ,36			RK73FB2A473J	CHIP R	47K	J 1/10W
R37			RK73FB2A223J	CHIP R	22K	J 1/10W
R38			RK73FB2A472J	CHIP R	4.7K	J 1/10W
R43 -45			RK73FB2A472J	CHIP R	4.7K	J 1/10W
R46 ,47			RK73FB2A473J	CHIP R	47K	J 1/10W
R52			RK73FB2A472J	CHIP R	4.7K	J 1/10W
R61 -64			RK73FB2A102J	CHIP R	1.0K	J 1/10W
R80			RK73FB2A102J	CHIP R	1.0K	J 1/10W
R114			RK73FB2A471J	CHIP R	470	J 1/10W
R115			RK73FB2A221J	CHIP R	220	J 1/10W
R119			RK73FB2A221J	CHIP R	220	J 1/10W
R122-127			RK73FB2A221J	CHIP R	220	J 1/10W
R129			RK73FB2A221J	CHIP R	220	J 1/10W
R131			RK73FB2A475J	CHIP R	4.7M	J 1/10W
R132			RK73FB2A104J	CHIP R	100K	J 1/10W
R139			RK73FB2A103J	CHIP R	10K	J 1/10W
R159			RK73FB2A562J	CHIP R	5.6K	J 1/10W
Δ R165			RD14NB2E681J	RD	680	J 1/4W
R195,196			RK73FB2A104J	CHIP R	100K	J 1/10W
R207-209			RK73FB2A101J	CHIP R	100	J 1/10W
R213			RK73FB2A222J	CHIP R	2.2K	J 1/10W
Δ R216			RD14NB2E2R2J	RD	2.2	J 1/4W
R221,222			RK73FB2A472J	CHIP R	4.7K	J 1/10W
R221,222			RK73FB2A472J	CHIP R	4.7K	J 1/10W
R301,302			RK73FB2A223J	CHIP R	22K	J 1/10W

L : Scandinavia

K : USA

P : Canada

R : Mexico

C : China

I : Malaysia

Y : PX(Far East, Hawaii)

T : Europe

E : Europe

G : Germany

V : China (Shanghai)

Y : AAFES(Europe)

X : Australia

Q : Russia

H : Korea

M : Other Areas

Δ indicates safety critical components.

PARTS LIST

RXD-652/702/752/772S/852/A81/A601/A701

* New Parts
 Parts without **Parts No.** are not supplied.
 Les articles non mentionnés dans le **Parts No.** ne sont pas fournis.
 Teile ohne **Parts No.** werden nicht geliefert.

17

Ref. No	Add-ress	New Parts	Parts No.	Description	Desti-nation	Re-marks
R303,304			RK73FB2A153J	CHIP R 15K J 1/10W		68
R305			RK73FB2A333J	CHIP R 33K J 1/10W		68
R306			RD14BB2C333J	RD 33K J 1/6W		68
R307			RK73FB2A105J	CHIP R 1.0M J 1/10W		68
R308			RD14BB2C105J	RD 1.0M J 1/6W		68
R309,310			RD14BB2C332J	RD 3.3K J 1/6W		68
R311-314			RK73FB2A103J	CHIP R 10K J 1/10W		68
R315,316			RK73FB2A123J	CHIP R 12K J 1/10W		68
R317,318			RK73FB2A103J	CHIP R 10K J 1/10W		68
R321,322			RK73FB2A104J	CHIP R 100K J 1/10W		68
R323,324			RK73FB2A122J	CHIP R 1.2K J 1/10W		68
R325			RD14BB2C562J	RD 5.6K J 1/6W		68
R326			RK73FB2A562J	CHIP R 5.6K J 1/10W		68
R327,328			RK73FB2A822J	CHIP R 8.2K J 1/10W		68
R329,330			RK73FB2A473J	CHIP R 47K J 1/10W		68
R331,332			RK73FB2A104J	CHIP R 100K J 1/10W		68
R333-336			RD14BB2C101J	RD 100 J 1/6W		68
R337			RK73FB2A104J	CHIP R 100K J 1/10W		68
R339,340			RK73FB2A333J	CHIP R 33K J 1/10W		68
R341,342			RK73FB2A132J	CHIP R 1.3K J 1/10W		78
R341,342			RK73FB2A153J	CHIP R 15K J 1/10W		6
R343,344			RK73FB2A104J	CHIP R 100K J 1/10W		6
R345,346			RK73FB2A512J	CHIP R 5.1K J 1/10W		68
R347,348			RD14BB2C102J	RD 1.0K J 1/6W		68
R349			RD14BB2C472J	RD 4.7K J 1/6W		68
R352			RK73FB2A101J	CHIP R 100 J 1/10W		7
R352			RK73FB2A102J	CHIP R 1.0K J 1/10W		68
R355			RK73FB2A222J	CHIP R 2.2K J 1/10W		6
R358			RK73FB2A224J	CHIP R 220K J 1/10W		6
R359			RK73FB2A751J	CHIP R 750 J 1/10W		68
R360			RK73FB2A101J	CHIP R 100 J 1/10W		68
R361			RK73FB2A153J	CHIP R 15K J 1/10W		68
R362			RK73FB2A473J	CHIP R 47K J 1/10W		78
R363			RK73FB2A473J	CHIP R 47K J 1/10W		78
R364			RK73FB2A472J	CHIP R 4.7K J 1/10W		78
R365			RK73FB2A473J	CHIP R 47K J 1/10W		Q
R366			RK73FB2A473J	CHIP R 47K J 1/10W		6
R367			RK73FB2A473J	CHIP R 47K J 1/10W		68
R368			RK73FB2A473J	CHIP R 47K J 1/10W		68
R369			RK73FB2A103J	CHIP R 10K J 1/10W		68
R370			RD14NB2E1R0J	RD 1 J 1/4W		68
R371,372			RK73FB2A681J	CHIP R 680 J 1/10W		6
R373,374			RK73FB2A681J	CHIP R 680 J 1/10W		78
R377			RK73FB2A472J	CHIP R 4.7K J 1/10W		68
R378			RK73FB2A224J	CHIP R 220K J 1/10W		68
R379			RK73FB2A222J	CHIP R 2.2K J 1/10W		68
R380			RD14BB2C222J	RD 2.2K J 1/6W		68
R381,382			RK73FB2A153J	CHIP R 15K J 1/10W		68
R384			RK73FB2A561J	CHIP R 560 J 1/10W		68
R385			RD14BB2C1R0J	RD 1 J 1/6W		68
R388			RD14BB2C100J	RD 10 J 1/6W		68
R501			RK73FB2A224J	CHIP R 220K J 1/10W		68
R502-505			RK73FB2A683J	CHIP R 68K J 1/10W		68
R508			RK73FB2A100J	CHIP R 10 J 1/10W		68
R509			RK73FB2A473J	CHIP R 47K J 1/10W		68

L : Scandinavia K : USA P : Canada R : Mexico C : China I : Malaysia
 Y : PX(Far East, Hawaii) T : Europe E : Europe G : Germany V : China (Shanghai)
 Y : AAFES(Europe) X : Australia Q : Russia H : Korea M : Other Areas Δ indicates safety critical components.

* New Parts
 Parts without **Parts No.** are not supplied.
 Les articles non mentionnés dans le **Parts No.** ne sont pas fournis.
 Teile ohne **Parts No.** werden nicht geliefert.

18

Ref. No	Add-ress	New Parts	Parts No.	Description	Desti-nation	Re-marks
R510			RK73FB2A103J	CHIP R 10K J 1/10W		
R511			RK73FB2A152J	CHIP R 1.5K J 1/10W		
R513,514			RK73FB2A103J	CHIP R 10K J 1/10W		
R515,516			RK73FB2A101J	CHIP R 100 J 1/10W		
R518			RK73FB2A153J	CHIP R 15K J 1/10W		
R522			RK73FB2A103J	CHIP R 10K J 1/10W		
R523			RK73FB2A472J	CHIP R 4.7K J 1/10W		
R525			RK73FB2A474J	CHIP R 470K J 1/10W		
R526			RK73FB2A105J	CHIP R 1.0M J 1/10W		
R529			RK73FB2A473J	CHIP R 47K J 1/10W		
R534			RK73FB2A471J	CHIP R 470 J 1/10W		
R535			RK73FB2A105J	CHIP R 1.0M J 1/10W		
R537			RK73FB2A561J	CHIP R 560 J 1/10W		TEE1Q
R537			RK73FB2A561J	CHIP R 560 J 1/10W		YMM1X
R538			RK73FB2A221J	CHIP R 220 J 1/10W		TEE1Q
R538			RK73FB2A221J	CHIP R 220 J 1/10W		YMM1X
R539			RK73FB2A1R0J	CHIP R 1 J 1/10W		
R540,541			RK73FB2A332J	CHIP R 3.3K J 1/10W		
R542			RK73FB2A103J	CHIP R 10K J 1/10W		
R543			RK73FB2A105J	CHIP R 1.0M J 1/10W		
R544			RK73FB2A104J	CHIP R 100K J 1/10W		
R545			RK73FB2A333J	CHIP R 33K J 1/10W		
R547			RK73FB2A153J	CHIP R 15K J 1/10W		
R548			RK73FB2A104J	CHIP R 100K J 1/10W		
R551			RK73FB2A472J	CHIP R 4.7K J 1/10W		
Δ R553			RD14NB2E2R2J	RD 2.2 J 1/4W		
R555			RK73FB2A822J	CHIP R 8.2K J 1/10W		
R556			RK73FB2A103J	CHIP R 10K J 1/10W		
R557			RK73FB2A432J	CHIP R 4.3K J 1/10W		
R558			RK73FB2A512J	CHIP R 5.1K J 1/10W		
R559			RK73FB2A103J	CHIP R 10K J 1/10W		
R560			RK73FB2A224J	CHIP R 220K J 1/10W		
R561,562			RK73FB2A912J	CHIP R 9.1K J 1/10W		
R563-566			RK73FB2A103J	CHIP R 10K J 1/10W		
R569,570			RK73FB2A220J	CHIP R 22 J 1/10W		
R574			RK73FB2A101J	CHIP R 100 J 1/10W		
R575-578			RK73FB2A100J	CHIP R 10 J 1/10W		
R580			RK73FB2A472J	CHIP R 4.7K J 1/10W		
VR1			R32-0038-05	SEMI FIXED VARIABLE RESISTOR		
W225			R92-0670-05	CHIP R 0 OHM		Q1E3E4
W225			R92-0670-05	CHIP R 0 OHM		Q2
W225			R92-0670-05	CHIP R 0 OHM		T1E1E2
W233			R92-0670-05	CHIP R 0 OHM		Q1E3E4
W233			R92-0670-05	CHIP R 0 OHM		Q2
W233			R92-0670-05	CHIP R 0 OHM		T1E1E2
D1 -4			HSS104A	DIODE		
D1 -4			1SS133	DIODE		
D6 ,7			HZS7.5N(B2)	ZENER DIODE		
D6 ,7			MTZJ7.5(B)	ZENER DIODE		
D8			HZS3.9N(B2)	ZENER DIODE		
D8			MTZJ3.9(B)	ZENER DIODE		
D11 ,12			RB721Q	DIODE		
D13 ,14			HSS104A	DIODE		
D13 ,14			1SS133	DIODE		
D16			DAP202U	DIODE		

L : Scandinavia K : USA P : Canada R : Mexico C : China I : Malaysia
 Y : PX(Far East, Hawaii) T : Europe E : Europe G : Germany V : China (Shanghai)
 Y : AAFES(Europe) X : Australia Q : Russia H : Korea M : Other Areas Δ indicates safety critical components.

RXD-652/702/752/772S/852/A81/A601/A701
 PARTS LIST

* New Parts

Parts without **Parts No.** are not supplied.Les articles non mentionnés dans le **Parts No.** ne sont pas fournis.Teile ohne **Parts No.** werden nicht geliefert.

19

Ref. No	Add-ress	New Parts	Parts No.	Description	Desti-nation	Re-marks
D16			MA142WA	DIODE		
D16			1SS300	DIODE		
D301,302			RB721Q	DIODE		68
D303			HZS5.6N(B2)	ZENER DIODE		68
D303			MTZJ5.6(B)	ZENER DIODE		68
D501,502			HSS104A	DIODE		
D501,502			1SS133	DIODE		
D504			DAN202U	DIODE		
D504			MA142WK	DIODE		
D504			1SS301	DIODE		
IC1		*	M30622MC-526FP	MI-COM IC		
IC2			M62492FP	MOS-IC	TEE1Q	
IC3			SAA6579T/R	ANALOGUE IC		
IC4			S-80840ANY	ANALOGUE IC		
IC5			CXA1571M	ANALOGUE IC		
IC6			BA5979S	ANALOGUE IC		
IC7			CXD2587Q	MOS-IC		
IC8_9			TA8409S	MOS-IC		
IC10			CXD2718Q	MOS-IC		
IC11_12		*	NJM4565MD	IC(OP AMP X2)		68
IC13			NJM4565MD	IC(OP AMP X2)		68
IC14			BU2090F	ANALOGUE IC		
Q1			KTC3199(Y,GR)	TRANSISTOR		
Q1			2SC2785(F,E)	TRANSISTOR		
Q1			2SC3311A(Q,R)	TRANSISTOR		
Q2			2SB1412F5(Q,R)	TRANSISTOR	KPY	
Q2			2SB1412F5(Q,R)	TRANSISTOR	MM1X	
Q3			DTC124EUA	DIGITAL TRANSISTOR	KPY	
Q3			DTC124EUA	DIGITAL TRANSISTOR	MM1X	
Q3			UN5212	DIGITAL TRANSISTOR	KPY	
Q3			UN5212	DIGITAL TRANSISTOR	MM1X	
Q4_5			DTA113ZSA	DIGITAL TRANSISTOR		
Q4_5			UN4119	DIGITAL TRANSISTOR		
Q7			DTA143TUA	DIGITAL TRANSISTOR	TEE1Q	
Q7			UN5116	DIGITAL TRANSISTOR	TEE1Q	
Q8			DTC124EUA	DIGITAL TRANSISTOR		
Q8			UN5212	DIGITAL TRANSISTOR		
Q10			DTA113ZUA	DIGITAL TRANSISTOR		
Q10			UN5119	DIGITAL TRANSISTOR		
Q11_12			2SD2144S(U,V)	TRANSISTOR	TEE1Q	
Q301			DTA113ZUA	DIGITAL TRANSISTOR		6
Q301			UN5119	DIGITAL TRANSISTOR		6
Q302,303			2SC4213(B)	TRANSISTOR		68
Q304			2SC3940A(R,S)	TRANSISTOR		
Q305,306			2SC4213(B)	TRANSISTOR		
Q307			DTA113ZUA	DIGITAL TRANSISTOR		
Q307			UN5119	DIGITAL TRANSISTOR		
Q501			2SA954(L,K)	TRANSISTOR		
Q502			DTC113ZUA	DIGITAL TRANSISTOR		
Q502			UN5219	DIGITAL TRANSISTOR		
Q503			KTA1273	TRANSISTOR		
Q503			2SA1534A(R,S)	TRANSISTOR		
Q504			DTC113ZUA	DIGITAL TRANSISTOR		
Q504			UN5219	DIGITAL TRANSISTOR		
Q505			2SB1640	TRANSISTOR		

L : Scandinavia K : USA P : Canada R : Mexico C : China I : Malaysia

Y : PX(Far East, Hawaii) T : Europe E : Europe G : Germany V : China (Shanghai)

Y : AAFES(Europe) X : Australia Q : Russia H : Korea M : Other Areas Δ indicates safety critical components.

* New Parts

Parts without **Parts No.** are not supplied.Les articles non mentionnés dans le **Parts No.** ne sont pas fournis.Teile ohne **Parts No.** werden nicht geliefert.

20

Ref. No	Add-ress	New Parts	Parts No.	Description	Desti-nation	Re-marks
A1			W02-2673-05	TUNER ASSY		
A1			W02-2674-05	TUNER ASSY	KPYMX	
A1			W02-2675-05	TUNER ASSY	EE1	
A1			W02-2676-05	TUNER ASSY	Q	7
A1			W02-2685-05	TUNER ASSY	M1	7
A501			W02-1114-05	OSCILLATING MODULE	TEE1Q	
A501			W02-1114-05	OSCILLATING MODULE	YMM1X	
DISPLAY UNIT (X14-498X-XX)						
D51_52			B30-2546-05	LED(RED3(80))		
D53		*	B30-2548-05	LED(GRN5(80),HI B)		78
D54_58			B30-2547-05	LED(RED5(80),HI B)		
D59_64			B30-2546-05	LED(RED3(80))	TEE1Q	
D65_67		*	B30-2548-05	LED(GRN5(80),HI B)		78
D70			B30-2548-05	LED(GRN5(80),HI B)		78
D81			B30-2547-05	LED(RED5(80),HI B)		68
D82_84			B30-2546-05	LED(RED3(80))		68
C1_2			CQ93FMG1H103J	MYLAR 0.010UF J		
C51			C91-0769-05	CERAMIC 0.010UF K		
C52_53			C91-0757-05	CERAMIC 1000PF K		
C55			C91-0769-05	CERAMIC 0.010UF K		
C56			C91-0745-05	CERAMIC 100PF K		
C57_58			C91-0757-05	CERAMIC 1000PF K		
C59_60			CK45FB1H102K	CERAMIC 1000PF K		
C62_63			CK45FB1H102K	CERAMIC 1000PF K		68
C62_63			CK45FB1H102K	CERAMIC 1000PF K	TEE1Q	7
C64			CK45FF1H103Z	CERAMIC 0.010UF Z		68
C64			CK45FF1H103Z	CERAMIC 0.010UF Z	TEE1Q	7
C65			C90-3714-05	ELECTRO 47UF 10WV		
C66_67			CK45FB1H102K	CERAMIC 1000PF K		
C68_69			C91-0757-05	CERAMIC 1000PF K		
C70			C90-3258-05	ELECTRO 10UF 50WV		
C72_73			C90-3253-05	ELECTRO 1.0UF 50WV		
C74			C90-3258-05	ELECTRO 10UF 50WV		
C75			C91-0757-05	CERAMIC 1000PF K		
C76			C90-3212-05	ELECTRO 47UF 6.3WV		
CN1			E40-8333-05	FLAT CABLE CONNECTOR		
CN3			E40-3262-05	PIN ASSY		
J1			E11-0280-05	PHONE JACK		
-		*	J19-5960-13	HOLDER		
R1_2			RD14NB2E100J	RD 10 J 1/4W		
R70			RD14BB2C103J	RD 10K J 1/6W		78
R71			RD14BB2C103J	RD 10K J 1/6W		68
R76			RD14BB2C331J	RD 330 J 1/6W		78
R94_95			RD14BB2C101J	RD 100 J 1/6W		68
R110			RD14BB2C331J	RD 330 J 1/6W		78
R126-128			RD14BB2C121J	RD 120 J 1/6W		78
R152-155			RD14BB2C331J	RD 330 J 1/6W		68
S1_26		*	S70-0051-05	TACT SWITCH		
S27			T99-0602-05	ROTARY ENCODER		
S28_29			T99-0615-05	ROTARY ENCODER		
D1			HZS6.2N(B2)	ZENER DIODE		

L : Scandinavia K : USA P : Canada R : Mexico C : China I : Malaysia

Y : PX(Far East, Hawaii) T : Europe E : Europe G : Germany V : China (Shanghai)

Y : AAFES(Europe) X : Australia Q : Russia H : Korea M : Other Areas Δ indicates safety critical components.

* New Parts

Parts without **Parts No.** are not supplied.
Les articles non mentionnés dans le **Parts No.** ne sont pas fournis.
Teile ohne **Parts No.** werden nicht geliefert.

21

Ref. No	Add-ress	New Parts	Parts No.	Description	Desti-nation	Re-marks
D1			MTZJ6.2(B)	ZENER DIODE		
D2 -4			HSS104A	DIODE		
D2 -4			1SS133	DIODE		
D71			HZS5.6N(B2)	ZENER DIODE		6
D71			HZS6.2N(B2)	ZENER DIODE		78
D71			MTZJ5.6(B)	ZENER DIODE		6
D71			MTZJ6.2(B)	ZENER DIODE		78
ED1			BJ665GK	INDICATOR TUBE		6
ED1			SVA-15MM13	INDICATOR TUBE		78
IC51			M66004SP	MOS-IC		
IC52			BU2090	ANALOGUE IC		
IC53			BU2090	ANALOGUE IC	TEE1Q	68
IC53			BU2090	ANALOGUE IC		7
Q1 -4			KTC3199(Y,GR)	TRANSISTOR		
Q1 -4			2SC2785(F,E)	TRANSISTOR		
Q8 ,9			DTC124ESA	DIGITAL TRANSISTOR		
Q8 ,9			UN4212	DIGITAL TRANSISTOR		
A1			W02-2561-05	ELECTRIC CIRCUIT MODULE		
RECORD/PLAYBACK UNIT (X28-298X-XX)						
C1 -4			CK45FB1H471K	CERAMIC		
C5 ,6			CQ93FMG1H103J	MYLAR		
C7 ,8			CE04HW1H2R2M	NP-ELEC		6
C9 ,10			C90-3715-05	ELECTRO		6
C11 ,12			CE04HW1H2R2M	NP-ELEC		78
C13 ,14			C90-3681-05	ELECTRO		78
C15 ,16			CQ93FMG1H224J	MYLAR		78
C17 ,18			CQ93FMG1H332J	MYLAR		78
C19 ,20			C90-3681-05	ELECTRO		78
C21 ,22			CK45FB1H682K	CERAMIC		78
C23 ,24			CC45FSL1H271J	MYLAR		6
C25 ,26			C90-3658-05	ELECTRO		78
C27 ,28			C90-3680-05	ELECTRO		
C29 ,30			C90-3681-05	ELECTRO		
C31 ,32			C90-3658-05	ELECTRO		
C33 -36			CC45FSL1H221J	CERAMIC		
C51			C90-3658-05	ELECTRO		
C52			C90-3650-05	ELECTRO		
C53			C90-3650-05	ELECTRO		6
C54			C90-3650-05	ELECTRO		78
C55			C90-3658-05	ELECTRO		
C56			C90-3650-05	ELECTRO		
C57			C90-3659-05	ELECTRO		
C58			C90-3680-05	ELECTRO		78
C59			C90-3659-05	ELECTRO		7
C60			C90-3680-05	ELECTRO		
C61			CK45FB2H471K	CERAMIC	TQ	
C62			CQ93HP2A562J	MYLAR		
C63			C90-3658-05	ELECTRO		
C64			CQ93FMG1H103J	MYLAR		
C65 ,66			CQ93FMG1H562J	MYLAR		
C67			CQ93FMG1H103J	MYLAR		
C68			CK45FB1H471K	CERAMIC		
C69			CK45FF1H103Z	CERAMIC		
C70			CC45FSL1H221J	CERAMIC		7

L : Scandinavia K : USA P : Canada R : Mexico C : China I : Malaysia
Y : PX(Far East, Hawaii) T : Europe E : Europe G : Germany V : China (Shanghai)
Y : AAFES(Europe) X : Australia Q : Russia H : Korea M : Other Areas Δ indicates safety critical components.

* New Parts

Parts without **Parts No.** are not supplied.
Les articles non mentionnés dans le **Parts No.** ne sont pas fournis.
Teile ohne **Parts No.** werden nicht geliefert.

22

Ref. No	Add-ress	New Parts	Parts No.	Description	Desti-nation	Re-marks
C71			C90-3658-05	ELECTRO		7
C72			C90-3650-05	ELECTRO		7
C73			CQ93FMG1H332J	MYLAR		7
C74			C90-3680-05	ELECTRO		7
C75			CC45FSL1H221J	CERAMIC		7
C76			C90-3658-05	ELECTRO		7
C77			C90-3680-05	ELECTRO		7
C78 ,79			CK45FF1H223Z	CERAMIC		
C80			CE04LW1V330M	ELECTRO		
C100			CF92FV1H105J	MF-C		
CN1			E40-3269-05	PIN ASSY		
CN3			E40-8252-05	FLAT CABLE CONNECTOR		
CN5			E40-8375-05	FLAT CABLE CONNECTOR		
E1 -3			J11-0808-05	WIRE CLAMPER		
L1 ,2			L40-1035-20	SMALL FIXED INDUCTOR(10MH,J)		
L3 ,4			L79-1242-05	LC FILTER		7
L5			L32-1006-05	BIAS OSCILATING COIL		
L6			L40-1001-17	SMALL FIXED INDUCTOR(10UH,K)		
Δ R51 ,52			RD14NB2E100J	RD		
Δ R53			RD14NB2E100J	RD		78
R54			RD14NB2E100J	RD		6
Δ R55			RD14NB2E100J	RD		
R56			RD14NB2E102J	RD		1.0K J 1/4W
R71			RD14NB2E152J	RD		1.5K J 1/4W
R97 ,98			RD14BB2C103J	RD		10K J 1/6W
R99			RD14BB2C224J	RD		220K J 1/6W
R100			RD14BB2C332J	RD		3.3K J 1/6W
R101			RD14BB2C104J	RD		100K J 1/6W
R102			RD14BB2C103J	RD		10K J 1/6W
R103			RD14BB2C472J	RD		4.7K J 1/6W
R104			RD14BB2C332J	RD		3.3K J 1/6W
R105			RD14BB2C102J	RD		1.0K J 1/6W
Δ R106			RD14NB2E471J	RD		470 J 1/4W
R125			RD14BB2C103J	RD		10K J 1/6W
R130			RD14BB2C104J	RD		100K J 1/6W
VR1 ,2			R32-0031-05	SEMI FIXED VARIABLE RESISTOR		
VR3 ,4			R32-0042-05	SEMI FIXED VARIABLE RESISTOR		
VR5			R32-0036-05	SEMI FIXED VARIABLE RESISTOR		
VR7 ,8			R32-0031-05	SEMI FIXED VARIABLE RESISTOR		
D1 -4			HSS104A	DIODE		
D1 -4			1SS133	DIODE		
D5			HZS5.6N(B2)	ZENER DIODE		
D5			MTZJ5.6(B)	ZENER DIODE		
D6 ,7			HSS104A	DIODE		78
D6 ,7			1SS133	DIODE		78
D8			HZS5.1N(B2)	ZENER DIODE		78
D8			MTZJ5.1(B)	ZENER DIODE		78
D9 ,10			HSS104A	DIODE		
D9 ,10			1SS133	DIODE		
IC1			HA12219NT	ANALOGUE IC		
IC2			HA12136A	ANALOGUE IC		7
IC3			BA3126N	ANALOGUE IC		
IC4			HD74HC166P	MOS-IC		

L : Scandinavia K : USA P : Canada R : Mexico C : China I : Malaysia
Y : PX(Far East, Hawaii) T : Europe E : Europe G : Germany V : China (Shanghai)
Y : AAFES(Europe) X : Australia Q : Russia H : Korea M : Other Areas Δ indicates safety critical components.

PARTS LIST

RXD-652/702/752/772S/852/A81/A601/A701

* New Parts

Parts without **Parts No.** are not supplied.
Les articles non mentionnés dans le **Parts No.** ne sont pas fournis.
Teile ohne **Parts No.** werden nicht geliefert.

23

Ref. No	Add-ress	New Parts	Parts No.	Description	Desti-nation	Re-marks
IC4			TC74HC166AP	MOS-IC		
IC5			NJM4565L	ANALOGUE IC		6
IC6			NJM4565L	ANALOGUE IC		78
Q1			KTC3205	TRANSISTOR		
Q1			2SC3940A(R,S)	TRANSISTOR		
Q2 -5			DTC124ESA	DIGITAL TRANSISTOR		
Q2 -5			KRC103M	TRANSISTOR		
Q6			2SA1286-T11	TRANSISTOR		
Q7			DTC124ESA	DIGITAL TRANSISTOR		
Q7			KRC103M	TRANSISTOR		
Q8			2SA1286-T11	TRANSISTOR		
Q9			DTC124ESA	DIGITAL TRANSISTOR		
Q9			KRC103M	TRANSISTOR		
Q10			2SA1286-T11	TRANSISTOR		
Q11 ,12			KTC3199(Y,GR)	TRANSISTOR		
Q11 ,12			2SC2785(F,E)	TRANSISTOR	TQ	
Q13 ,14			2SC1845(F,E)	TRANSISTOR	TQ	
Q15			DTA124ESA	DIGITAL TRANSISTOR	TQ	
Q15			KRA103M	TRANSISTOR	TQ	
Q16			DTC124ESA	DIGITAL TRANSISTOR	TQ	
Q16			KRC103M	TRANSISTOR	TQ	
Q21			DTA124ESA	DIGITAL TRANSISTOR		
Q21			KRA103M	TRANSISTOR		
Q22			DTC124ESA	DIGITAL TRANSISTOR		
Q22			KRC103M	TRANSISTOR		
Q23 -26			KTC3199(Y,GR)	TRANSISTOR		
Q23 -26			2SC2785(F,E)	TRANSISTOR		
Q27 ,28			DTC124ESA	DIGITAL TRANSISTOR		
Q27 ,28			KRC103M	TRANSISTOR		
Q29			DTA124ESA	DIGITAL TRANSISTOR		
Q29			KRA103M	TRANSISTOR		

CD MECHANISM UNIT (D40-1500-05) : KCTB1H

103	1B		D13-1763-04	GEAR (MIDDLE)		
104	1B		D13-1765-03	GEAR (DRIVING)		
106	2A		D10-3659-04	ROD (GUIDE)		
113	3A		E40-3264-05	PIN ASSY		
111	2A		J90-0844-03	GUIDE (RAIL)		
110	3A		S74-0065-05	LEAF SWITCH		
DM	2B		A11-1114-08	SUB CHASSIS ASSY		
FM	3B		T42-0872-08	FEED MOTOR ASSY		
PU	1A		T25-0050-05	PICKUP KCP1H		

CD MECHANISM UNIT (D40-1619-05) : MGC-E9001

1	3D		A10-3478-08	CHASSIS		
6	3D		D10-3891-08	FRICION ARM		
7	3D		D13-1940-08	GEAR		
8	3D		J31-0882-08	COLLAR(LOAD)		
9	2C		D13-1941-08	GEAR		
11	2C		D15-0418-08	PULLEY GEAR		
12	2C		D16-0731-08	DRIVE BELT		
13	1C		J99-0814-08	TRAY (SLIDE)		
14	2C		D13-1599-08	GEAR (IDLER)		
15	2D		G09-0670-08	WIRE SPRING		

L : Scandinavia K : USA P : Canada R : Mexico C : China I : Malaysia
Y : PX(Far East, Hawaii) T : Europe E : Europe G : Germany V : China (Shanghai)
Y : AAFES(Europe) X : Australia Q : Russia H : Korea M : Other Areas Δ indicates safety critical components.

* New Parts

Parts without **Parts No.** are not supplied.
Les articles non mentionnés dans le **Parts No.** ne sont pas fournis.
Teile ohne **Parts No.** werden nicht geliefert.

24

Ref. No	Add-ress	New Parts	Parts No.	Description	Desti-nation	Re-marks
20	2C		B30-2553-08	LED (SIR-34ST3F)		
21	2D		D13-1604-08	GEAR (HELICAL)		
22	1C		D10-3892-08	LOCK ARM		
23	1D		G01-3931-08	EXTENSION SPRING (BRAKE)		
24	1D		J90-0870-08	SENSOR GUIDE		
25	1D		T95-0162-08	PHOTO TRANSISTOR (RPT-38PB3F)		
27	1C		S33-1022-05	PUSH SWITCH (SPPB12)		
29	1C		J99-0815-08	TRAY (ROTARY)		
31	1D		J21-6729-08	CLAMPER BKT		
32	1D		T99-0613-08	MAGNET		
33	1D		J11-0846-08	CLAMPER		
34	2D		J19-5999-08	HOLDER		
35	2D		J02-1174-08	INSULATOR 37 BLUE		
36	2D		J02-1175-08	INSULATOR 25 GREEN		
38	2D		D10-3893-08	SLIDER (CAM)		
39	1C,3C		D14-0361-08	ROLLER (TRAY)		
40	1C,2C		S64-0044-08	LEVER SWITCH (SSS-23-3)		
45	2D,3D		E35-2366-08	FLAT CABLE (9P)		
46	2D,3D		E40-8419-08	FLAT CABLE CONNECTOR (9P)		
47	2D,3D		E35-2367-08	FLAT CABLE (16P)		
48	3D		E35-2368-08	WIRING HARNESS (6P)		
56	2D		RD14BB2C331J	CARBON FILM RESISTOR		
57	3D		G13-0521-08	CUSHION		
61	3D		E40-8106-08	PIN ASSY		
62	3D		E40-8420-08	FLAT CABLE CONNECTOR (33P)		
63	3D		E40-8421-08	FLAT CABLE CONNECTOR (16P)		
66	1D		G10-0500-08	CUSHION SHEET		
AA			N89-2614-45	SCREW (M2.6X14)		
AB			N09-3377-08	SCREW (SUB-L)		
AC			N89-2008-46	SCREW (M2X8)		
AD			N09-3141-08	SCREW (F)		
AE			N89-2608-46	SCREW (M2.6X8)		
AF			N09-3140-08	SCREW (E)		
AG			N09-3225-05	SCREW (A2)		
AH			N09-3369-08	SCREW (2.6X6)		
AJ			N09-5104-08	SCREW (A)		
AK			N09-3489-08	SCREW (J)		
AL			N19-1490-08	POLY WASHER (10X6.4X0.8)		
AM			N16-0026-46	SPRING WASHER		
LM	3C		T42-0949-08	MOTOR ASSY		
RTM	2D		T42-0950-08	MOTOR ASSY		

CASSETTE MECHANISM UNIT (D40-1618-05)

401	1F		A10-3157-08	CHASSIS BASE		
405	1G		D01-0119-08	FLYWHEEL ASSY LEFT		
406	2G		D01-0205-08	FLYWHEEL ASSY RIGHT		
431	1F		D19-0310-08	CLUTCH ASSY		
489	2F		T94-0225-08	SOLENOID SHAFT		
491	1E		W02-2695-08	ELECTRIC UNIT		
BJ	1F		D16-0730-08	JOINT BLET		
BM	1G		D16-0371-08	MAIN BELT		
BR	2G		D16-0372-08	REEL BELT		
PF	2F		D14-0399-08	PINCH ROLLER ASSY (FWD)		
PR	2E		D14-0400-08	PINCH ROLLER ASSY (RVS)		

L : Scandinavia K : USA P : Canada R : Mexico C : China I : Malaysia
Y : PX(Far East, Hawaii) T : Europe E : Europe G : Germany V : China (Shanghai)
Y : AAFES(Europe) X : Australia Q : Russia H : Korea M : Other Areas Δ indicates safety critical components.

HOW TO READ THE PARTS LIST

Destination and Remarks columns have the abbreviation for the sale country and model.
 Letters in the destination mean the country. Numerals in the remarks do the model.
 Example: "K and P" show all models for USA and Canada, markets. "6" does all models of RXD-652,-652E, and -652W.

ABBREVIATION OF MODEL AND MASS PRODUCTION'S DESTINATIONS

MODEL	CNT ABB.	Australia X	Canada P	China C	England T	Europe E	Germany G	Korea H	Malaysia I
RXD-652	6	X	-	-	-	E	-	-	-
RXD-652E	6	-	-	-	-	E1	-	-	-
RXD-652W	6	-	-	-	-	-	-	-	-
RXD-A601	6	-	P	-	-	-	-	-	-
RXD-702	7	-	-	-	-	E	-	-	-
RXD-702E	7	-	-	-	-	E1	-	-	-
RXD-702W	7	-	-	-	-	-	-	-	-
RXD-752	7	X	-	-	T	E	-	-	-
RXD-752E	7	-	-	-	-	E1	-	-	-
RXD-752W	7	-	-	-	-	-	-	-	-
RXD-772S	7	-	-	-	-	-	-	-	-
RXD-A81	7	-	P	-	-	-	-	-	-
RXD-852	8	X	-	-	T	E	-	-	-
RXD-852E	8	-	-	-	-	E1	-	-	-
RXD-852W	8	-	-	-	-	-	-	-	-
RXD-A701	8	-	P	-	-	-	-	-	-
MODEL	CNT ABB.	Mexico R	PX/AAFES Y	Russia Q	Scandinavia L	Shanghai V	USA K	Other area M	
RXD-652	6	-	-	-	-	-	-	M	-
RXD-652E	6	-	-	-	-	-	-	-	-
RXD-652W	6	-	-	Q	-	-	-	-	-
RXD-A601	6	-	-	-	-	-	K	-	-
RXD-702	7	-	-	-	-	-	-	-	-
RXD-702E	7	-	-	-	-	-	-	-	-
RXD-702W	7	-	-	Q	-	-	-	-	-
RXD-752	7	-	Y	-	-	-	-	M	-
RXD-752E	7	-	-	-	-	-	-	-	-
RXD-752W	7	-	-	Q	-	-	-	-	-
RXD-772S	7	-	-	-	-	-	-	M1	-
RXD-A81	7	-	-	-	-	-	K	-	-
RXD-852	8	-	Y	-	-	-	-	M	-
RXD-852E	8	-	-	-	-	-	-	-	-
RXD-852W	8	-	-	Q	-	-	-	-	-
RXD-A701	8	-	-	-	-	-	K	-	-

* New Parts
 Parts without **Parts No.** are not supplied.
 Les articles non mentionnes dans le **Parts No.** ne sont pas fournis.
 Teile ohne **Parts No.** werden nicht geliefert.

Ref. No	Add- ress	New Parts	Parts No.	Description	Desti- nation	Re- marks
CC			N19-0904-08	WASHER		
CD			N19-0905-08	WASHER		
CE			N19-1214-08	WASHER		
MM	1F		T42-0948-08	MAIN MOTOR ASSY		
PH	2E		T31-0078-08	PLAYBACK HEAD		
RPEH	2E		T39-0038-08	REC/PLAYBACK/ERASE HEAD		

L : Scandinavia K : USA P : Canada R : Mexico C : China I : Malaysia
 Y : PX(Far East, Hawaii) T : Europe E : Europe G : Germany V : China (Shanghai)
 Y : AAFES(Europe) X : Australia Q : Russia H : Korea M : Other Areas Δ indicates safety critical components.

RXD-652/702/752/772S/852/A81/A601/A701
PARTS LIST

SPECIFICATIONS

Main unit

(XD-6...series, XD-8...series)

[Amplifier section]

(XD-6...series)

Rated output power during STEREO operation	
FRONT (1 kHz, 1.0 % T.H.D., 6 Ω)	
Two channels driven	55 W + 55 W
Effective output power during STEREO operation	
FRONT (1 kHz, 10 % T.H.D., 6 Ω)	
One channel driven	70 W + 70 W
Effective output power during SURROUND operation	
FRONT (1 kHz, 10 % T.H.D., 6 Ω)	
One channel driven	50 W + 50 W
CENTER (1 kHz, 10 % T.H.D., 6 Ω)	20 W
SURROUND (1 kHz, 10 % T.H.D., 12 Ω)	
One channel driven	10 W + 10 W
Signal to noise ratio	
MD/DVD INPUT	90 dB (IHF' 66)
Input sensitivity / impedance	
MD/DVD INPUT	380 mV / 47 kΩ
Output level / impedance	
SUPER WOOFER PREOUT	1.6 V / 620 Ω
MD REC OUTPUT (CD, 0 dB)	1.0 V / 10 kΩ

(XD-8...series)

Rated output power during STEREO operation	
FRONT (1 kHz, 1.0 % T.H.D., 6 Ω)	
Two channels driven	80 W + 80 W
Effective output power during STEREO operation	
FRONT (1 kHz, 10 % T.H.D., 6 Ω)	
One channel driven	100 W + 100 W
Effective output power during SURROUND operation	
FRONT (1 kHz, 10 % T.H.D., 6 Ω)	
One channel driven	70 W + 70 W
CENTER (1 kHz, 10 % T.H.D., 6 Ω)	30 W
SURROUND (1 kHz, 10 % T.H.D., 12 Ω)	
One channel driven	15 W + 15 W
Signal to noise ratio	
MD/DVD INPUT	90 dB (IHF' 66)
Input sensitivity / impedance	
MD/DVD INPUT	380 mV / 47 kΩ
Output level / impedance	
SUPER WOOFER PREOUT	2.0 V / 620 Ω
MD REC OUTPUT (CD, 0 dB)	1.0 V / 10 kΩ

[Tuner section]

FM tuner section	
Tuning frequency range	87.5 MHz ~ 108 MHz
(For Russia)	65.0 MHz ~ 74.0 MHz
AM (MW) Tuner section	
Tuning frequency range	
(For U.K., Europe and Russia)	531 kHz ~ 1,602 kHz
(Other countries)	
9 kHz step	531 kHz ~ 1,602 kHz
10 kHz step	530 kHz ~ 1,610 kHz
LW Tuner section (For U.K. and Russia)	
Tuning frequency range	153 kHz ~ 279 kHz

[Cassette deck section]

Track	4-track, 2-channel stereo
Recording system	AC bias system
	(Frequency: 105 kHz)
Heads	
A deck : Playback head	1
B deck : Playback/ recording head	1
Erasing head	1
Fast winding time	Approx. 115 seconds
	(C-60 tape)

[CD player section]

Laser	Semiconductor laser
Wow & Flutter	Less than unmeasurable Limit
Digital output (Optical)	- 15 dBm ~ - 21 dBm
	(Wave length 660 nm)

[General]

(XD-6...series)

Power consumption	160 W
Dimensions	W : 280 mm
	H : 330 mm
	D : 386 mm
Weight (net)	10.1 kg

(XD-8...series)

Power consumption	190 W
Dimensions	W : 280 mm
	H : 330 mm
	D : 386 mm
Weight (net)	11.1 kg



- 1.KENWOOD follows a policy of continuous advancements in development. For this reason specifications may be changed without notice.
- 2.Sufficient performance may not be possible at very low temperatures (0°C or less).

RXD-652/702/752/772S/852/A81/A601/A701

SPECIFICATIONS

Main unit

(XD-7...series)

[Amplifier section]

Rated output power during STEREO operation
FRONT (1 kHz, 1.0 % T.H.D., 6 Ω)
Two channel driven 80 W + 80 W

Effective output power during STEREO operation
FRONT (1 kHz, 10 % T.H.D., 6 Ω)
One channel driven 100 W + 100 W

Effective output power during SUPER WOOFER operation
FRONT (1 kHz, 10 % T.H.D., 6 Ω)
One channel driven 100 W + 100 W

SUPER WOOFER (60 Hz, 10 % T.H.D., 6 Ω)
One channel driven 100 W + 100 W

Signal to noise ratio
MD/DVD INPUT 90 dB (IHF' 66)

Input sensitivity / impedance
MD/DVD INPUT 380 mV / 47 kΩ

Output level / impedance
MD REC OUTPUT (CD, 0 dB) 1.0 V / 10 kΩ

[Tuner section]

FM tuner section
Tuning frequency range 87.5 MHz ~ 108 MHz
(For Russia) 65.0 MHz ~ 74.0 MHz

AM (MW) Tuner section

Tuning frequency range
(For U.K., Europe and Russia) 531 kHz ~ 1,602 kHz
(Other countries)
9 kHz step 531 kHz ~ 1,602 kHz
10 kHz step 530 kHz ~ 1,610 kHz

LW Tuner section (For U.K. and Russia)

Tuning frequency range 153 kHz ~ 279 kHz

SW Tuner section (XD-772S only)

Tuning frequency range 5.9 MHz ~ 17.9 MHz

[Cassette deck section]

Track 4-track, 2-channel stereo
Recording system AC bias system
(Frequency: 105 kHz)

Heads
A deck : Playback head 1
B deck : Playback/ recording head 1
Erasing head 1

Fast winding time Approx. 115 seconds
(C-60 tape)

[CD player section]

Laser Semiconductor laser
Wow & Flutter Less than unmeasurable Limit
Digital output (Optical) - 15 dBm ~ - 21 dBm
(Wave length 660 nm)

[General]

Power consumption 160 W
Dimensions W : 280 mm
H : 330 mm
D : 386 mm

Weight (net) 11.0 kg



- 1.KENWOOD follows a policy of continuous advancements in development. For this reason specifications may be changed without notice.
- 2.Sufficient performance may not be possible at very low temperatures (0°C or less).

RXD-652/702/752/772S/852/A81/A601/A701

Note:

Component and circuit are subject to modification to insure best operation under differing local conditions. This manual is based on General market(M) standard, and provides information on regional circuit modification through use of alternate schematic diagrams, and information on regional component variations through use of parts list.

KENWOOD CORPORATION

14-6, Dogenzaka 1-chome, Shibuya-ku, Tokyo, 150-8501 Japan

KENWOOD SERVICE CORPORATION

P.O BOX 22745, 2201 East Dominguez St., Long Beach, CA 90801-5745, U.S.A.

KENWOOD ELECTRONICS CANADA INC.

6070 Kestrel Road, Mississauga, Ontario, Canada L5T 1S8

KENWOOD ELECTRONICS LATIN AMERICA S.A.

P.O BOX 55-2791, Piso 6 plaza Chase, Cl. 47 y Aquilino de la Guardia Panama, Republic de Panama

KENWOOD ELECTRONICS BRASIL LTDA.

Av. Moema, 170-17", Andar-Cobertura "B", Ed. Maximum Service Center, 04077-020 Moema, São Paulo-SP-Brasil

KENWOOD ELECTRONICS U.K. LIMITED

KENWOOD House, Dwight Road, Watford, Herts., WD1 8EB., United Kingdom

KENWOOD ELECTRONICS BELGUM N.V.

Meachelsesteenweg 418, B-1930 Zaventem, Belgium

KENWOOD ELECTRONICS DEUTSCHLAND GMBH

Rembrücker Str. 15, 63150 Heusenstamm, Germany

KENWOOD ELECTRONICS FRANCE S.A.

13 Boulevard Ney, 75018 Paris, France

KENWOOD ELECTRONICS ITALIA S.p.A.

Via G. Sirtori, 7/9 20129, Milano, Italy

KENWOOD IBÉRICA S.A.

Bolivia, 239-08020 Barcelona, Spain

KENWOOD ELECTRONICS AUSTRALIA PTY. LTD.

(A.C.N. 001499 074)

P.O Box 504, 8 Figtree Drive, Australia Centre, Homebush, N.S.W. 2140, Australia

KENWOOD & LEE ELECTRONICS, LTD.

Unit 3712-3724, Level 37, Tower 1, Metroplaza, 223 Hing Fong Road, Kwai Fong N.T., Hong Kong

KENWOOD ELECTRONICS GULF FZE

P.O.Box 61318, Jebel Ali, Dubai, U.A.E.

KENWOOD ELECTRONICS SINGAPORE PTE LTD.

No. 1 Genting Lane #02-02, KENWOOD Building, Singapore, 349544

KENWOOD ELECTRONICS (MALAYSIA) SDN BHD.

#4.01 Level 4, Wisma Academy Lot 4A, Jalan 19/1 46300 Petaling Jaya Selangor Darul Ehsan Malaysia

KENWOOD ELECTRONICS (THAILAND) CO., LTD.

2019 New Pechburi Road, Bangkapi, Huaykwang, Bangkok, 10320 Thailand