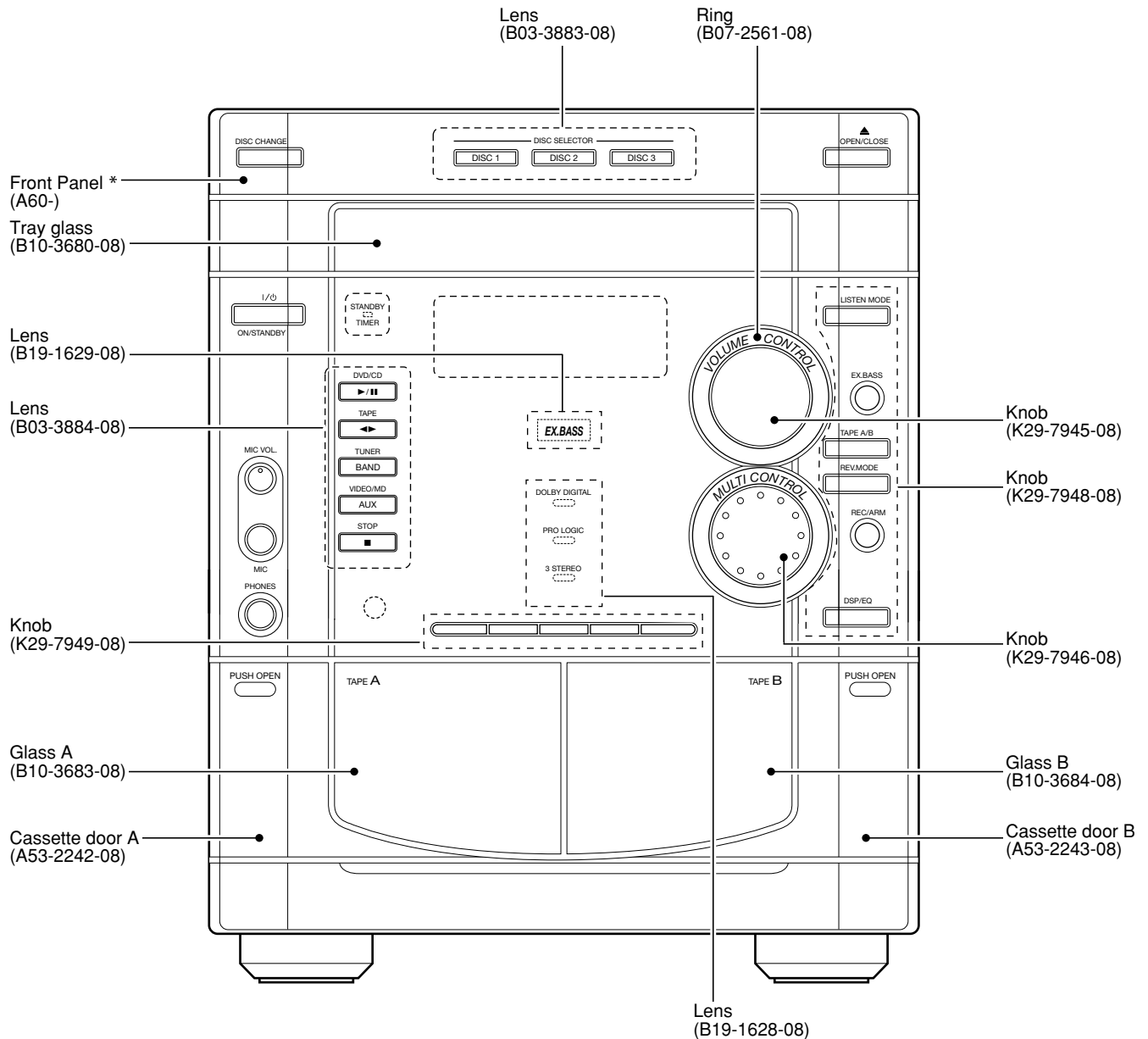


RXD-DV9

SERVICE MANUAL



* Refer to parts list on page 39.

In compliance with Federal Regulations, following are reproduction of labels on, or inside the product relating to laser product safety.

KENWOOD-Corp. certifies this equipment conforms to DHHS Regulations No.21 CFR 1040. 10, Chapter 1, subchapter J.

DANGER : Laser radiation when open and interlock defeated.
AVOID DIRECT EXPOSURE TO BEAM.



RXD-DV9

CONTENTS / ACCESSORIES / CAUTIONS


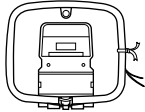

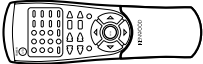
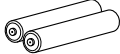
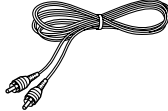
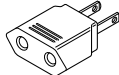
Contents

CONTENTS / ACCESSORIES / CAUTIONS.....	2	PC BOARD	15
EXTERNAL VIEW / DVD BLOCK DIAGRAM	3	SCHEMATIC DIAGRAM	24
BLOCK DIAGRAM	4	EXPLODED VIEW	45
CIRCUIT DESCRIPTION	5	PARTS LIST.....	47
ADJUSTMENT	13	SPECIFICATIONS	55
WIRING DIAGRAM.....	14		

Wary

Please contact our KENWOOD Service Department in your side if you want the service information; Circuit Description, Full Described Parts List and so. Information is available to you by internet from us.

Accessories

<p>FM indoor antenna (1) (T90-0875-08)</p> 	<p>Loop antenna (1) (T90-0874-08)</p> 	<p>Speaker cords (Provided in the speaker package)</p> 	<table border="1"> <tr> <td rowspan="2">Front speakers</td> <td>LS-DV9 (for Europe and U.K.)</td> <td>(2)</td> </tr> <tr> <td>LS-DV10 (for other countries)</td> <td>—</td> </tr> <tr> <td>Surround speakers</td> <td>CRS-DV9</td> <td>(3)</td> </tr> </table>	Front speakers	LS-DV9 (for Europe and U.K.)	(2)	LS-DV10 (for other countries)	—	Surround speakers	CRS-DV9	(3)
Front speakers	LS-DV9 (for Europe and U.K.)	(2)									
	LS-DV10 (for other countries)	—									
Surround speakers	CRS-DV9	(3)									
<p>Remote control unit (1) (A70-1499-08): TE (A70-1500-08): MM2 (A70-1501-08): X</p> 	<p>Batteries (R03/AAA) (2)</p> 	<p>Video cord (1) (E30-1427-05)</p> 	<p>*AC plug adaptor (1) (E03-0115-05)</p>  <p>* Use to adapt the plug on the power cord to the shape of the wall outlet. (Accessory only for regions where use is necessary.)</p>								

System configuration

SYSTEM	MAIN UNIT	DESTINATION	SPEAKER	SP CORD PARTS NO.	SPEAKER	SP CORD PARTS NO.
XD-DV9	RXD-DV9	TE	LS-DV9	E30-5535-05	CRS-DV9	E30-5542-05
		MX	LS-DV10	E30-5838-08		
XD-DV9(M2)	RXD-DV9(M2)	M2				

Cautions

Operation to reset

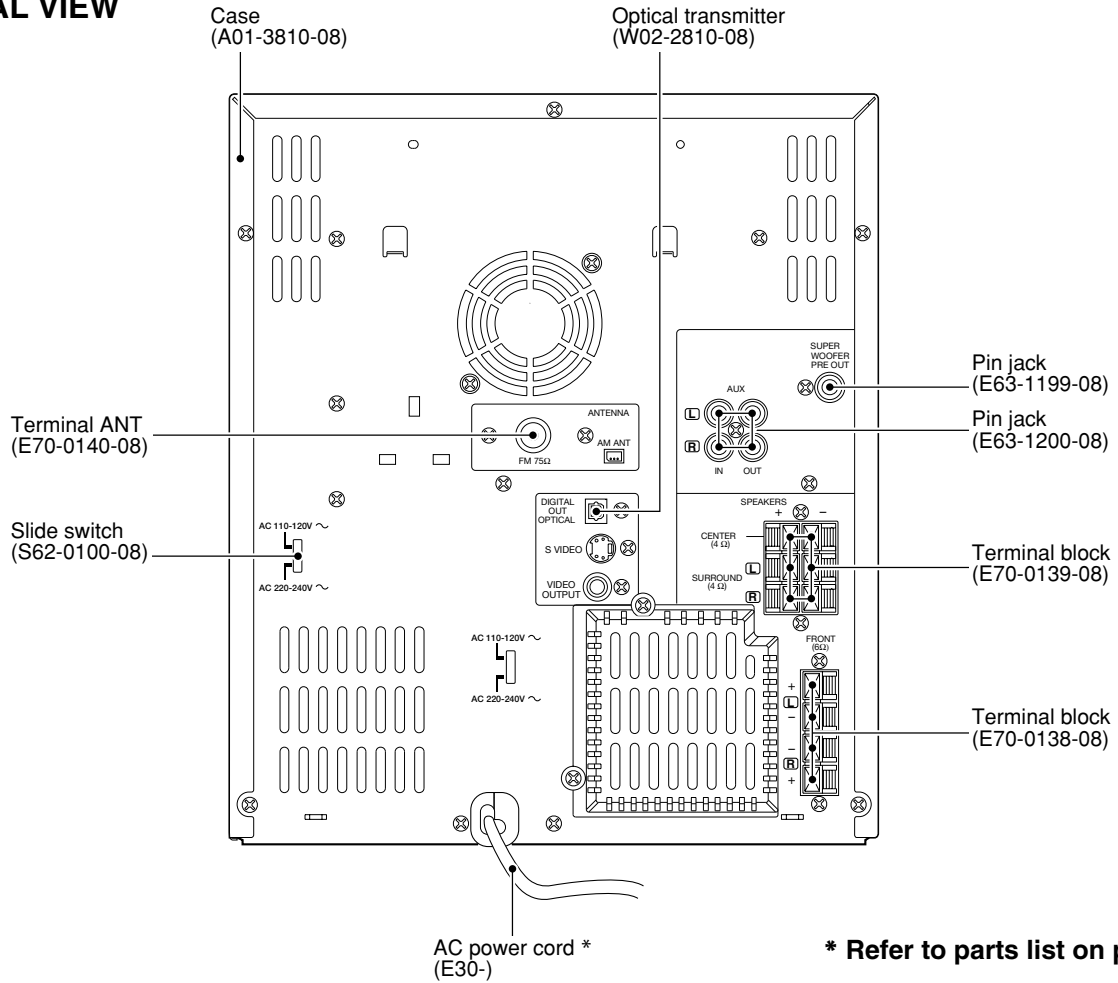
The microcomputer may fall into malfunction (impossibility to operate, erroneous display, etc.) when the power cord is unplugged while power is ON or due to an external factor. In this case, execute the following procedure to reset the microcomputer and return it to normal condition.

Pull the plug from the receptacle, wait a few seconds, and then insert the plug again while holding the ENTER key down. "INITIALIZE" will be displayed and the unit will be initialized.

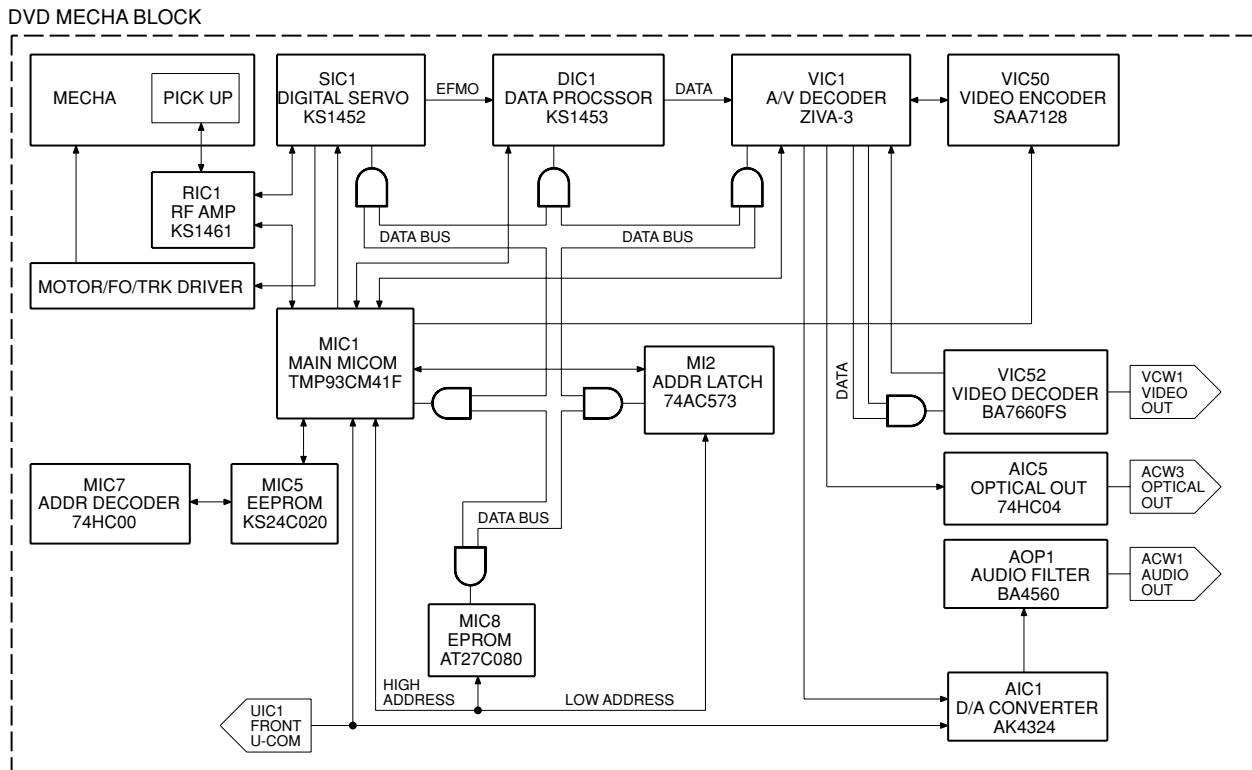
- Please note that resetting the microcomputer clears the contents stored in and returns and to condition when it left the factory.

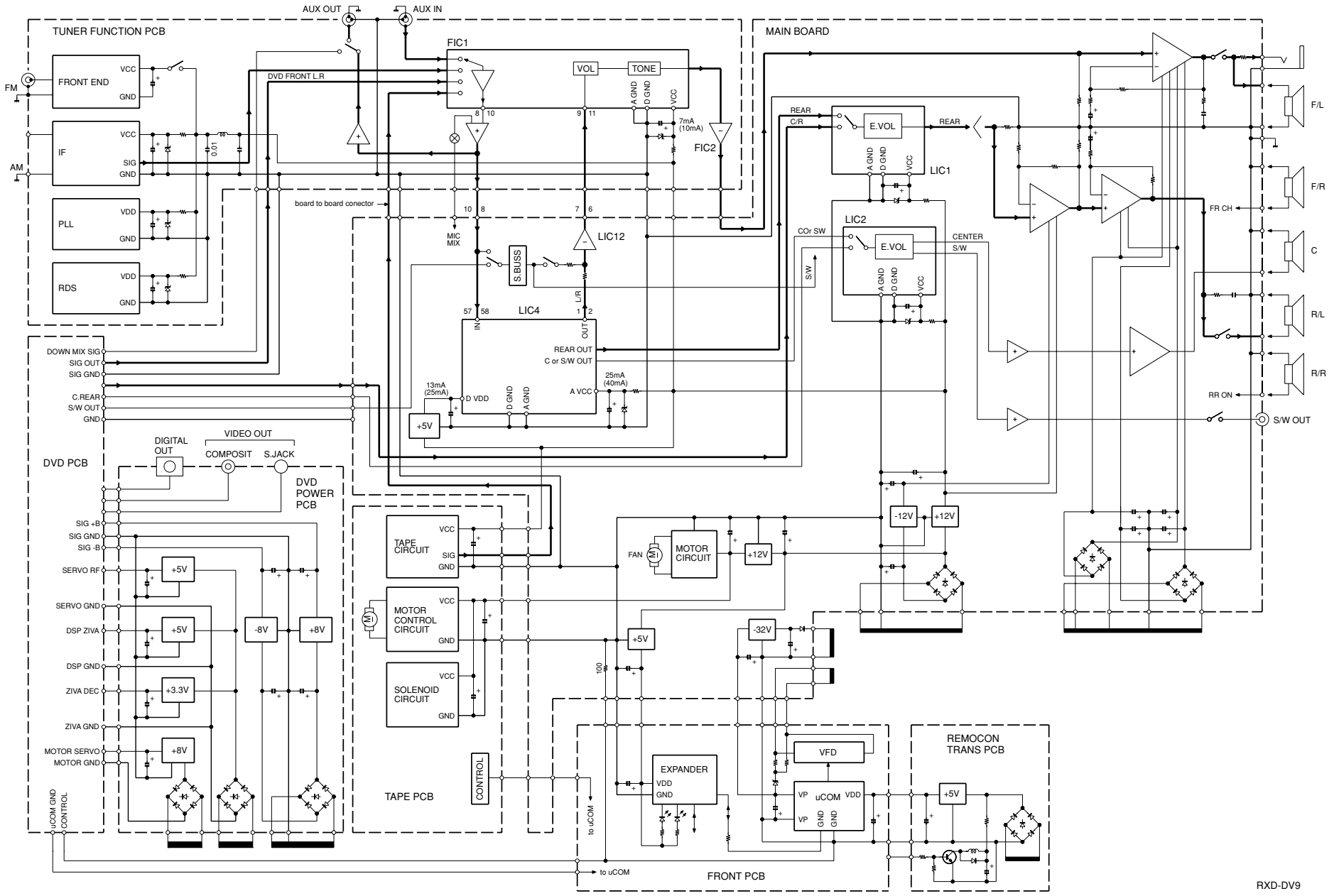
EXTERNAL VIEW / DVD BLOCK DIAGRAM

EXTERNAL VIEW



DVD BLOCK DIAGRAM





CIRCUIT DESCRIPTION

1. Pin description of microprocessor : LC86P6548-5T20 (Front Board

Pin No.	Pin Name	I/O	Function
1	CE4	O	M62463 CE (PRO LOGIC)
2	DO3	O	TDA7440 DATA (SURROUND)
3	CLK3	O	TDA7440 CLK (SURROUND)
4	DO4	O	TDA7440 DATA (CENTER)
5	CLK4	O	TDA7440 CLK (CENTER)
6	CE1	O	LC72131 CE (PLL)
7	DI1	I	LC72131 DATA IN (PLL)
8	CLK1	O	LC72131/TDA7440/M62463 CLK
9	DO1	O	LC72131/TDA7440/M62463 DA
10	RDS DATA	I	RDS DATA IN
11	RDS CLK	I	RDS CLK IN
12	RESET	I	MICOM RESET
13	XT1	I	SUB CLOCK(32.768kHz) IN
14	XT2	O	SUB CLOCK(32.768kHz) OUT
15	GND	-	GND
16	CF1	I	MAIN OSC(6MHz) IN
17	CF2	O	MAIN OSC(6MHz) OUT
18	VDD1	-	VDD
19	JOG1	I	JOG UP
20	JOG2	I	JOG DOWN
21	EVR2	I	ELEC VR DOWN
22	PROTEC	I	PROTECTION
23	AD1	I	KEY A/D 1 (LISTEN)
24	AD2	I	KEY A/D 2 (POWER)
25	AD3	I	KEY A/D 3 (CD/DVD)
26	P-SENS	I	POWER SENSE
27	T-SENS	I	CD TRAY SENSE
28	RRQ	I	DVD REQUEST FRONT MICOM
29	REMO	I	REMOCON IN
30	RDS	O	RDS SWITCH
31	P-LED	O	POWER STANDBY
32	T-LED	O	TIMER STANDBY
33~43	G11~G1	O	VFD GRID 11~1
44,45	P18,P19	O	VFD ANODE 18,19
46	VDD3	-	VFD 5V
47~50	P17~P14	O	VFD ANODE 17~14
51	VP	-	-32V
52~64	P13~P1	O	VFD ANODE13~1
65	OPT	I	OPTION IN
66	SW2	I	CD CLOSE SW
67	SW1	I	CD OPEN SW
68	EVR1	I	ELEC VR UP
69	DI3	I	M66010 DATA IN(EXPAND-TAPE)
70	DI2	I	M66010 DATA IN(EXPAND-MAIN)
71	TUNED	I	TUNED
72	VDD4	-	VFD 5V
73	TRL+	O	CD ROULETTE MOTOR
74	OPEN	O	CD OPEN MOTOR
75	CLOSE	O	CD CLOSE MOTOR
76	DEMO1	O	DVD DEMO1
77~79	DIF0~2	O	DVD DIF0~2
80	P-MUTE	O	DVD P-MUTE
81	DEMO0	O	DVD DEMO0
82	DFS	O	DVD DFS

CIRCUIT DESCRIPTION

Pin No.	Pin Name	I/O	Function
83	AMOUT0	O	DVD A-MUTE OUT 0
84	DARST1	O	DVD DARST1
85	CE3	O	NJU3711 CE (EXPAND-FRONT)
86	CE5	O	M66010 CE (EXPAND-TAPE)
87	MRST	O	DVD RESET
88	SRQ	O	DVD REQUEST MAIN MICOM
89	VSS	-	GND
90	VDD2	-	VDD2
91	CE2	O	M66010 CE (EXPAND-MAIN)
92	CLK2	O	NJU3711/M66010 CLK
93	DO2	O	NJU3711/M66010 DATA
94	SOL B	O	B DECK SOLENOID
95	TXD	O	DVD SERIAL DATA OUT
96	RXD	I	DVD SERIAL DATA IN
97	SCLK	O	DVD SERIAL CLK
98	SOL A	O	A DECK SOLENOID
99	M-MUTE	O	MAIN AUDIO MUTE
100	POWER	O	POWER ON/OFF

2. Pin description of RF signal processor : RIC1(KS1461)

Pin No.	Pin Name	I/O	Description
1	ACD	I	Connected to VREFEQ.
2	BCD	I	Connected to VREFEQ.
3	CCD	I	Connected to VREFEQ.
4	DCD	I	Connected to VREFEQ.
5	ADVD	I	Optical main beam A,AC coupling input terminals for CD of RF block.
6	BDVD	I	Optical main beam B,AC coupling input terminals for CD of RF block.
7	CDVD	I	Optical main beam C,AC coupling input terminals for CD of RF block.
8	DDVD	I	Optical main beam D,,AC coupling input terminals for CD of RF block.
9	RREFBF	-	RF AMP I/O buffer bias resistance connection terminal.
10	RREFEQ	-	RF EQ bias resistance connection terminal.
11	RREF	-	Analog block bias resistance connection terminal.
12	VREFEQ	-	CAP connection terminal for EQ center voltage.
13	E	I	CD optical sub beam E input terminal for servo.
14	F	I	CD optical sub beam F input terminal for servo.
15	ADVD1	I	Optical main beam A input terminal for DVD of servo block.
16	BDVD1	I	Optical main beam B input terminal for DVD of servo block.
17	CDVD1	I	Optical main beam C input terminal for DVD of servo block.
18	DDVD1	I	Optical main beam D input terminal for DVD of servo block.
19	ACD1	I	Optical main beam A input terminal for CD of servo block.
20	BCD1	I	Optical main beam B input terminal for CD of servo block.
21	CCD1	I	Optical main beam C input terminal for CD of servo block.
22	DCD1	I	Optical main beam D input terminal for CD of servo block.
23	AVCC	-	Power voltage input terminal for analog part.
24	VREFA	I/O	CAP connection terminal for analog part center voltage uses an external block.
25	FOFST	-	CAP connection terminal(open) for focus auto offsets.
26	OFSTHOLD	I	On/off terminal for auto offset block. (L: Auto Offset Adjustments, H: Serial Offset Adjustments)
27	VREFLP BGI	I	Band gap voltage input block for ALPC.
28	LDODVD	O	Optical laser diodes operation voltage output terminal for DVD.
29	PDDVD	I	Optical laser monitor diode voltage input terminal for DVD.
30	LDOCD	O	Optical laser diode operating voltage output terminal for CD.
31	PDCD	I	Optical laser monitor diode voltage input terminal for CD.
32	AGND	-	Power ground terminal for analog part.

Pin No.	Pin Name	I/O	Description
33	FE	O	FE AMP output terminal.
34	FEN	I	Input terminal for selecting FE AMP gain.
35	TEN	I	Input terminal for selecting TE AMP gain.
36	TE	O	TE AMP output terminal.
37	PDLIMITRES	-	Bias resistance terminal for PDLIMIT.
38	ABCDN	I	ABCD AMP for selecting gain (-) input terminal.
39	ABCD	O	ABCD AMP output terminal.
40	ABCDI	I	ABCD AC coupling input terminal for servo monitor.
41	ENVP	-	CAP connection terminal for selecting the RC value of peak hold for detecting RF envelopes.
42	ENVB	-	CAP connection terminal for selecting the RC value of bottom hold for detecting RF envelopes.
43	ENV	O	RF envelope detect output terminal.
44	DGND	-	Power ground input terminal for digital circuits.
45	FOKTH	I	Focus OK comparing level input terminal.
46	FOKB	O	Focus OK comparator output terminal(L: Focus OK).
47	DFCT CP1	-	Connction terminal for RC value of peak hold, for selecting the maximum time for servo signal.
48	DFCT CP2	-	Connction terminal for RC value of peak hold, for selecting the minimum defect time for PLL.
49	CC1	O	Peak hold output terminal for selecting the minimum defect time for defect.
50	CC2	I	Peak hold AC coupling input terminal for defect.
51	DVCC	-	Power voltage input terminal for digital circuit.
52	DFCTTH2	-	Resistance connction terminal for selecting the defect comparing level for PLL.
53	DFCTTH1	-	Resistance connction terminal for selecting the defect comparing level for servo.
54	DFCT1	O	Defect output terminal for servo.
55	DFCT2	O	Defect output terminal for PLL.
56	DPDVCC	-	Power voltage input terminal for DPD TE.
57	MIRR	O	Mirror output terminal.
58	BCA	O	BCA output terminal.
59	TE3OFST	-	CAP connection terminal(open) for 3B TE offset.
60	DPDEQ1	O	DPD EQ(A+C) output terminal.
61	DPDEQ2	O	DPD EQ(B+D) output terminal.
62	FAULTOUT	O	DPD abnormal wave from output terminal(monitor).
63	DPDMUTE	I	DPD TE mute control terminal(H: Mute).
64	PLLCTL	I	DPD TE PLL variable input terminal.
65	TE1RES	I	DPD TE PLL variable bias resistance.
66	DPDGND	-	Power ground input terminal for DPD TE.
67	VREFDPD	O	CAP connection terminal for DPD TE center voltage.
68	RREFDLY	-	Bias resistance connection terminal for delay block.
69	DATA	I	Data input terminal.
70	CLOCK	I	Clock input terminal.
71	STB	I	Data enable input terminal.
72	OSC	-	Input terminal for RC value of OSC,for auto offset block.
73	RESET	I	Reset input terminal (L: Reset)for auto offset block.
74	BCAI	I	BCA filter 1.
75	BCAO	O	BCA filter 2.
76	RFCT	O	RF ripple center voltage output terminal for mirror.
77	CB2	-	CAP connection terminal of RC value of bottom hold, for RFCT generation.
78	CP2	-	CAP connection terminal of RC value of peak hold, for RFCT generation.
79	RFRP	O	RF ripple AMP output terminal for mirror.
80	RFRPN	I	Input terminal for selecting RFRP APM gain.
81	MROOFST	I	RF ripple offset control terminal for mirror.
82	CB1	-	RC connection terminal of RC value of bottom hold, for RFRP generation.

CIRCUIT DESCRIPTION

Pin No.	Pin Name	I/O	Description
83	CP1	-	RC connection terminal of RC value of peak hold, for RFRP generation.
84	MIRRI	I	Input terminal for MIRR signal generation.
85	EQVCC	-	Power voltage input signal for RF EQ.
86	RFEQ0	O	RF EQ output terminal.
87	BCATH	I	BCA comparing level control terminal.
88	EQIN	I	RFAGCO input terminal for RF EQ.
89	RFAGCO	O	RF AGC AMP output terminal.
90	AGCC	-	CAP connection terminal for time constant of AGC.
91	AGCI	I	AGC voltage input terminal while in AGC hold.
92	EQGND	-	Power ground input terminal for RF EQ.
93	AGCLEVEL	I	AGC level control voltage input terminal(3.5V) while in AGC hold off.
94	AGCB	-	RC connection terminal for RC value of bottom hold, for RF AGC.
95	AGCP	-	RC connection terminal for RC value of peak hold, for RF AGC.
96	RDPF	-	Bias resistance connection terminal for selecting RF EQ frequency.
97	EQG	I	RF EQ boost gain control voltage input terminal.
98	EQF	I	RF EQ peak frequency control voltage input terminal.
99	PLLF	I	Wide-band PLL compatible RF EQ peak frequency control terminal.
100	VZOCTL	I	RF EQ zero control terminal.

3. Pin description of data processor DIC1(KS1453)

Pin No.	Pin Name	I/O	Description
1	D GND	-	Digital ground.
2	DPS CS	I	Chip select(active low).
3	HAD	I	Micom resistor select (L→resistor→data).
4	D GND	-	Digital ground.
5~12	HAD7~HAD0	I/O	Micom data bus.
13	DVDD	-	Digital power(+5.0V).
14	CLK27D	I	System clock input for 26.16MHz.
15	XTO1	O	System clock output for 26.16MHz.
16	D GND	-	Digital ground.
17	DD15	I/O	DRAM data bus.
18	DD0	I/O	DRAM data bus.
19	DD14	I/O	DRAM data bus.
20	DD1	I/O	DRAM data bus.
21	D GND	-	Digital ground.
22	DD13	I/O	DRAM data bus.
23	DD2	I/O	DRAM data bus.
24	DD12	I/O	DRAM data bus.
25	DD3	I/O	DRAM data bus.
26	DVDD	-	Digital power(+5.0V).
27	DD11	I/O	Digital data bus.
28	DD4	I/O	Digital data bus.
29	DD10	I/O	Digital data bus.
30	DD5	I/O	Digital data bus.
31	D GND	-	Digital ground.
32~35	DD9~DD7	I/O	DRAM data bus.
36	D GND	-	Digital ground.
37	ZLCAS	O	DRAM low column address strobe.
38	ZUCAS	O	DRAM upper column address strobe.
39	ZWE1	O	DRAM write enable 1(8M only).
40	ZWE0	O	DRAM write enable 0(4M,8M,16M).
41	ZOE1	O	DRAM output enable 1(16M mode DADR9).
42	DVDD	-	Digital power(+5.0V).
43	ZOE	O	DRAM output enable 0.
44	ZRAS	O	DRAM low address strobe.
45,46	DADR8,DADR7	O	DRAM address bus.
47	D GND	-	Digital ground.

CIRCUIT DESCRIPTION

Pin No.	Pin Name	I/O	Description
48~54	DADR0~DADR6	O	DRAM address bus.
55,56	D GND	-	Digital ground.
57	TOS	O	Top of selector.
58	DACK	O	Data acknowledge signal output.
59	DVDD	-	Digital power(+5.0V).
60	SDATA0	O	DVD data/CD data bit stream (CDATA).
61	SDATA1	O	DVD data/CD data L/R clock (LRCK).
62	SDATA2	O	DVD data/CD data bit clock (BLCK).
63	SDATA3	O	DVD data/CD data error flag (C2PO).
64	SDATA4	O	DVD data/subcode serial data (SQDT).
65	SDATA5	O	DVD data/subcode frame sync (WFSY).
66	SDATA6	O	DVD data/subcode block sync (SOSI).
67	SDATA7	I/O	DVD data/subcode serial clock (SQCK).
68	D GND	-	Digital ground.
69	STROBE	O	Data strobe (clock) output.
70	REQUEST	I	Data request from A/V decoder or ROM decoder.
71	DTEA	O	DVD data error output.
72	D GND	-	Digital ground.
73~76	PWMO7~PWMO4	O	PWM output signal.
77	DVDD	-	Digital power(+5.0V).
78~81	PWMO3~PWMO0	O	PWM output signal.
82~84	D GND	-	Digital ground.
85,86	DVDD	-	Digital power(+5.0V).
87~90	D GND	-	Digital ground.
91	FRSYZ	O	Frame sync output.
92	TX OUT	O	Digital output.
93	GFS	O	Good frame sync detection state output (OK at H).
94	D GND	-	Digital ground.
95	33.86M	I	System clock input for 33.8688MHz.
96	CK33MO	O	System clock output for 33.8688MHz.
97	DVDD	-	Digital power(+5.0V).
98~100	D GND	-	Digital ground.
101	EFMO OUT	O	EFM output.
102	WFCK	O	Write frame pulse.
103	RFCK	O	Reference frame pulse.
104	PLCK	I	Phase locked clock.
105	D GND	-	Digital ground.
106	PLOCK	O	Lock signal for PLL.
107	CLVLOCK	O	Lock signal for CLV.
108	SLOCK	O	Lock signal for servo.
109	MDP	O	Spindle motor phase control signal (3-STATE).
110	MDS	O	Spindle motor speed control signal (3-STATE).
111,112	D GND	-	Digital ground.
113	MON	O	Spindle motor output.
114	D GND	-	Digital ground.
115	FSW	O	Spindle motor output (3-STATE).
116	EFMO	I	EFM/EFM+signal input.
117~119	DVDD	-	Digital power(+5.0V).
120	CK16M	O	CK33Ms 2 division clock/16.9344MHz.
121	EMPHA	O	"H",when on deemphasis.
122	BCA	I	BCA input signal.
123	D GND	-	Digital ground.
124	MRST	I	Hardware reset (Active low).
125	ZWAIT	O	Micom read /write access wait (Wait at L).
126	ZIRQZD	O	Interrupt request to micom.
127	RD	I	Micom read strobe (Active low).
128	WR	I	Micom write strobe (Active low)

CIRCUIT DESCRIPTION

4.Pin description of DVD servo processor : SIC1(KS1452)

Pin No.	Pin Name	I/O	Description
1	MDOUT3	O	Mode data3 out controlled by micom.
2	SSTOP/PS0PS1	I	Limit switch/sled position sensor input pin 0.
3	PS1	I	Sled motor position sensor input pin 1.
4	D GNG	-	Connected to ground.
5	COUT	O	Unused.
6	FLKB	O	Unused.
7	TLKB	O	Unused.
8	PSB	I	0: 1BIT 1: 8BIT
9	RSTB	I	System reset signal input pin.
10	CSB	I	Micom chip select pin.
11	DAB	I	Micom data/address select pin.
12	WR	I	Micom write clock signal input pin.
13	MRDB	I	Micom read clock signal input pin.
14~21	HAD0~HAD7	I/O	Micom data pin 0~pin 7.
22	SENSE	O	Internal status monitor pin.
23	DVDD	-	Servo logic & ROM VDD power supply pin.
24	XI	I	System clock signal input pin.
25	XO	O	System clock signal output pin.
26	XOUT	O	Clock output(33.9688MHz) to DSP.
27	DVSS	-	Servo logic & ROM VSS power supply pin.
28	S28	O	Clock output pin for subcode data read.
29	S29	I	Subcode data input pin.
30	S30	I	Timing detection input pin for subcode data read.
31	MON	I	Monitor ON signal input pin.
32	SLOCK	I	Lock signal input pin.
33	SDVCC	I	Direct jump control (for 1 track jump).
34	FOKB	I	Focus OK signal input pin.
35	PLOCK	I	PLL frequency detect control input pin.
36	LDONB	O	Laser diode ON signal output pin.
37	SERVO DFCT	I	Defect detection signal input pin.
38	MIRR	I	Mirror signal input pin.
39	HOLD	I	PLL hold signal from micom.
40	INT0	O	Servo interrupt monitor pin.
41	VCC	-	PLL logic block VDD power supply pin.
42	PLCK	O	PLCK.
43	PLLOCK	O	Frequency lock detect output (H: lock L: unlock)
44	EFMO	O	Latcted EFM output signal.
45	A GND	-	PLL logic block VSS power supply pin.
46	RVCO	I	Resistor pin for VCO gain.
47	RFD	I	Gain adjust resistor for frequency detector.
48	RPD	I	Gain adjust resistor for phase detector.
49	VCTL	I	Control voltage for VCO.
50	MAGICO	I	Input for controlling hysteresis of the FD output (for testing).
51	EFMOA	I	EFM offset adjustment pin.
52	TZCO	O	Tracking zero cross output pin.
53	SVDD	-	Servo CPU VDD power supply pin.
54	EQCTL	O	EQ control signal.
55	EFMI	I	EMF signal for test.
56	EFMO	O	EMF signal.
57	LPFDVD	I	Asymmetric input signal for DVD.
58	LPFCD	I	Asymmetric input signal for CD.

CIRCUIT DESCRIPTION

Pin No.	Pin Name	I/O	Description
59	RFI	I	RF input signal.
60	SVSS	-	Servo CPU VSS power supply pin.
61	AVSS	-	Analog block VSS power supply pin.
62	SME	I	Spindle error input pin.
63	VREF	I	Reference voltage input pin.
64	STE	I	Tracking error signal input pin.
65	SFE	I	Focus error signal input pin.
66	ENV	I	RF envelope input pin.
67	TILT TELPF	I	Tilt input pin (reserved).
68	SVCC	-	Analog block VDD power supply pin.
69	TILTO	O	Tilt output pin (reserved).
70	DVCTL	O	Depth variation control signal output pin.
71	TBAL	O	Tracking balance signal output pin.
72	FBAL	O	Focus balance signal output pin.
73	SLD	O	Sled motor drive signal output pin.
74	SPD	O	Spindle motor drive signal output pin.
75	FOD	O	Focus actuator drive signal output pin.
76	TRD	O	Tracking actuator drive signal output pin.
77	TZCA	I	TE signal for tracking zero cross input pin.
78	MDOUT0	O	Mode data 0 out controlled by micom.
79	MDOUT1	O	Mode data 1 out controlled by micom.
80	DEFTCTL	O	Mode data 2 out controlled by micom.

RXD-DV9

CIRCUIT DESCRIPTION

5. Port Assignment of Expander IC

MAIN PCB(CIC1)		
<M66010> IN/OUT		
NO	I/O	FUNCTION
1	O	DI3
2	I	DO2
3	I	CLK2
4	I	CE5
5	-	VDD 5V
6	I	CLS
7	-	GND
8	O	T-CONT
9	O	SURROUND-MUTE
10	I	H/P SENSE
11	I	MIC SENSE
12	O	MIC ECHO VR1
13	O	MIC ECHO VR2
14	O	ECHO ON
15	O	4066SW
16	-	GND
17~19	-	NC
20	O	POPS GAIN
21	O	S.BASS1
22~24	-	NC
25	O	S.BASS2
26	I	STEREO
27	O	SUB WOOFER MUTE
28	O	CENTER-MUTE
29	-	NC
30	O	RELAY
31	O	AUX-OUT MUTE
32	O	CD GAIN

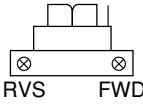
TAPE PCB(CIC1)		
<M66010> IN/OUT		
NO	I/O	FUNCTION
1	O	DI2
2	I	DO2
3	I	CLK2
4	I	CE2
5	-	VDD 5V
6	I	CLS
7	-	GND
8	O	PLAY MUTE
9,10	O	NC
11	O	REC MUTE
12	O	BIAS(REC)
13~15	-	NC
16	-	GND
17	-	NC
18	I	HALL B SENSE
19	I	HALL A SENSE
20	O	HI-SPEED
21	I	MODE B SENSE
22	I	REC R SENSE
23	I	HALF B SENSE
24	I	REC F SENSE
25	I	HALF A SENSE
26	I	MODE A SENSE
27	O	A/B
28~31	-	NC
32	O	MOTOR

FRONT PCB(UIC2)		
<NJU3711M> OUTPUT		
NO	I/O	FUNCTION
1	O	3 STEREO LED
2	O	PRO LOGIC LED
3	O	AC3 LED
4	-	GND
5	O	EX-BASS LED
6	O	AMOUT3
7	O	AMOUT2
8	-	DO2
9	-	CLK2
10	-	CE3
11	-	CLR
12	O	DARST2
13	O	AMOUT1
14	-	VDD 5V

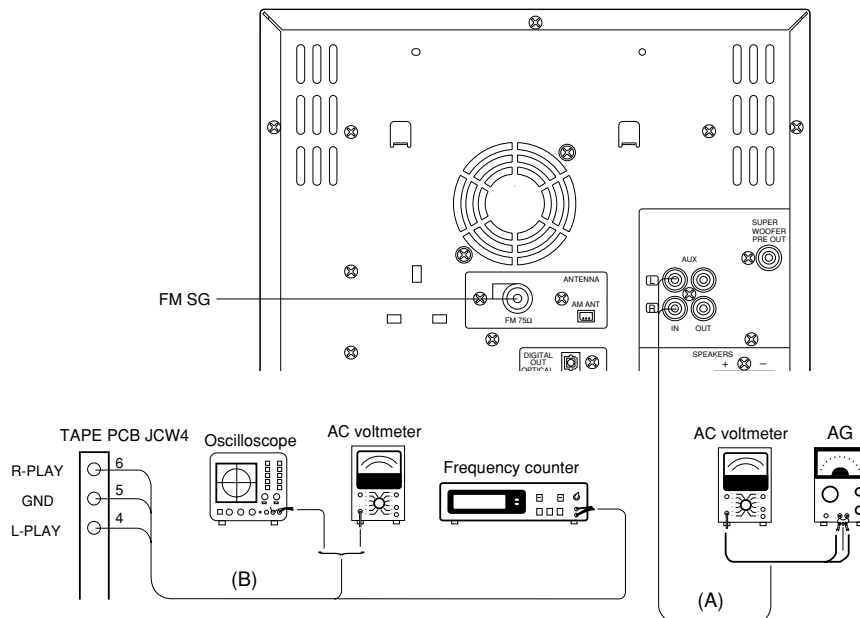
6. Pin description of motor driver : KA3082(DVD PCB LIC1,2)

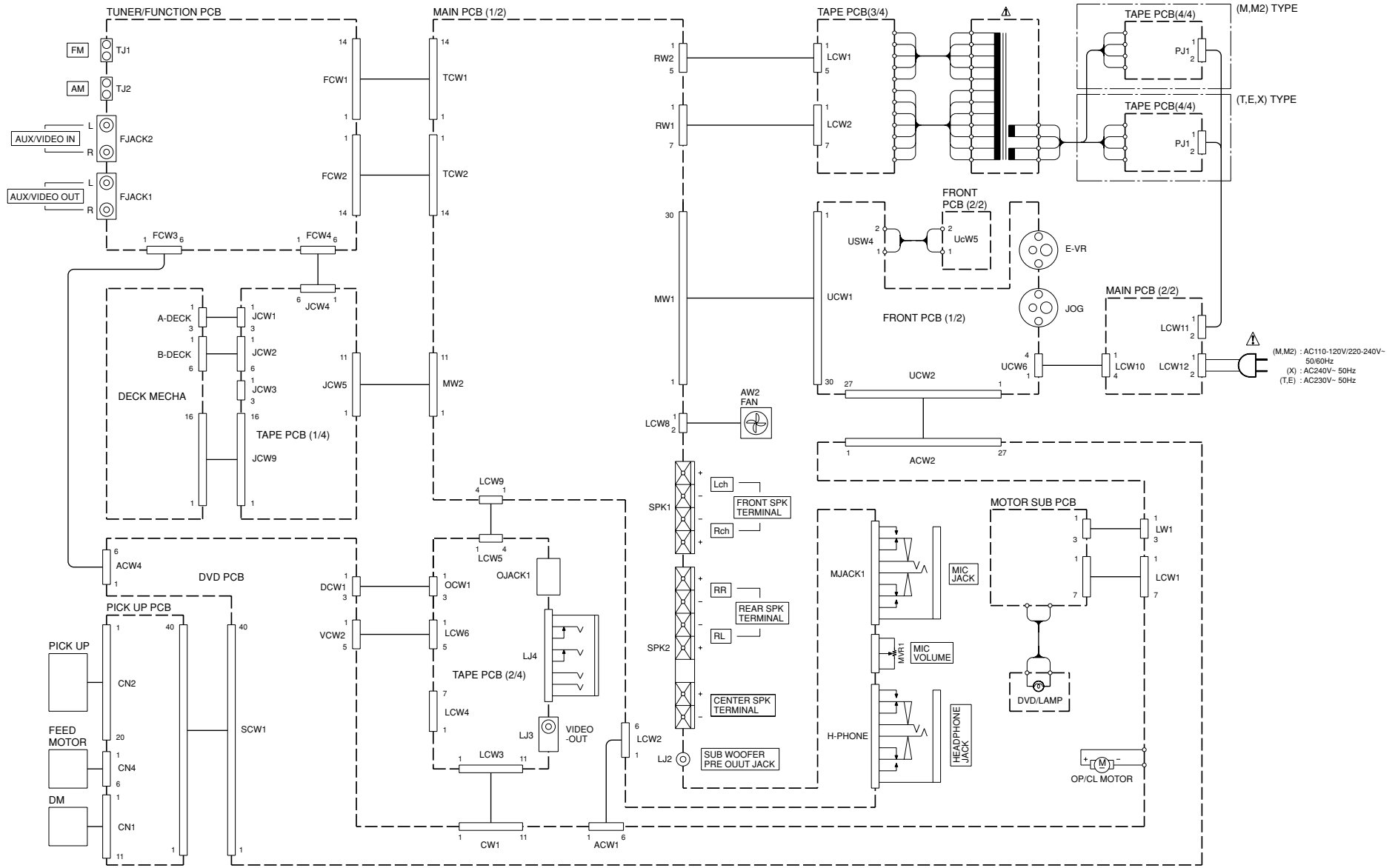
Pin No.	Pin Name	I/O	Description
1	GND	-	Ground
2	VO1	O	Output 1
3	VZ1	-	Phase compensation
4	VCTL	I	Motor speed control
5	VIN1	I	Input 1
6	VIN2	I	Input 2
7	SVCC	-	Supply voltage(Signal)
8	PVCC	-	Supply voltage(Power)
9	VZ2	-	Phase compensation
10	VO2	O	Output 2

ADJUSTMENT

NO.	ITEM	INPUT SETTING	OUTPUT SETTING	CASSETTE TAPE DECK SETTING	ALIGNMENT POINTS	ALIGN FOR	FIG.
I Cassette mechanism unit (Adjustment of the REC / PLAY head)						0dBs = 0.775V	
(1)	Demagnetization and cleaning	—	—	Power : OFF Demagnetization, cleaning, PLAY	Recording head, erase head, capstan pinch roller	Demagnetize the REC / PLAY head with the head eraser. Clean the REC / PLAY head, erase head, capstan and pinch roller using a cotton swab slightly damped with alcohol.	
(2)	Azimuth of the REC / PLAY head	SCC-1727 TCC-153 MTT-114 10kHz, -10dB	(B)	PLAY		Adjust the output to maximum and adjust the azimuth adjustment screw for the Lissajours waveform pattern of the oscilloscope to become close to a 45° straight line.	
II PC BOARD ADJUSTMENT							
(1)	TAPE SPEED (NORMAL)	TCC-110 MTT-111 SCC-1727 3kHz	(B)	PLAY	CVR2	Adjust the tape speed so that 3kHz is obtained at the center of the tape.	
III PC board adjustment.							
(1)	BIAS CURRENT	(A) Adjust the AG for the output of the DECK to become -10dBs at 1kHz and 12.5kHz. * Insert Cro2 blank tape.	(B)	REC PLAY	JSR2L(L) JSR2R(R)	Record 1kHz and 12.5kHz alternately, and adjust the bias current adjustment potentiometer for the playback levels to become the same.	
FM SECTION: SELECTOR: FM							
(1)	DISTORTION (MONO)	98.0MHz 1kHz, ±40kHz dev. MONO 70dBf(ANT. input)	Connect a distortion meter. TUNER CIRCUIT TIC1 17pin(Lch) /5pin(GND)	MONO 98.0MHz	TL3	Minimum distortion	
(2)	TUNING LEVEL	(A) 98.0MHz MONO 1KHz, ±40KHz dev. 28dBf (ANT. input)	—	MONO 98.0MHz	TSR1	ADJUST TSR1 and stop at the point where VFD (▼) goes on.	

Measurement Equipment Connections





RXD-DV9

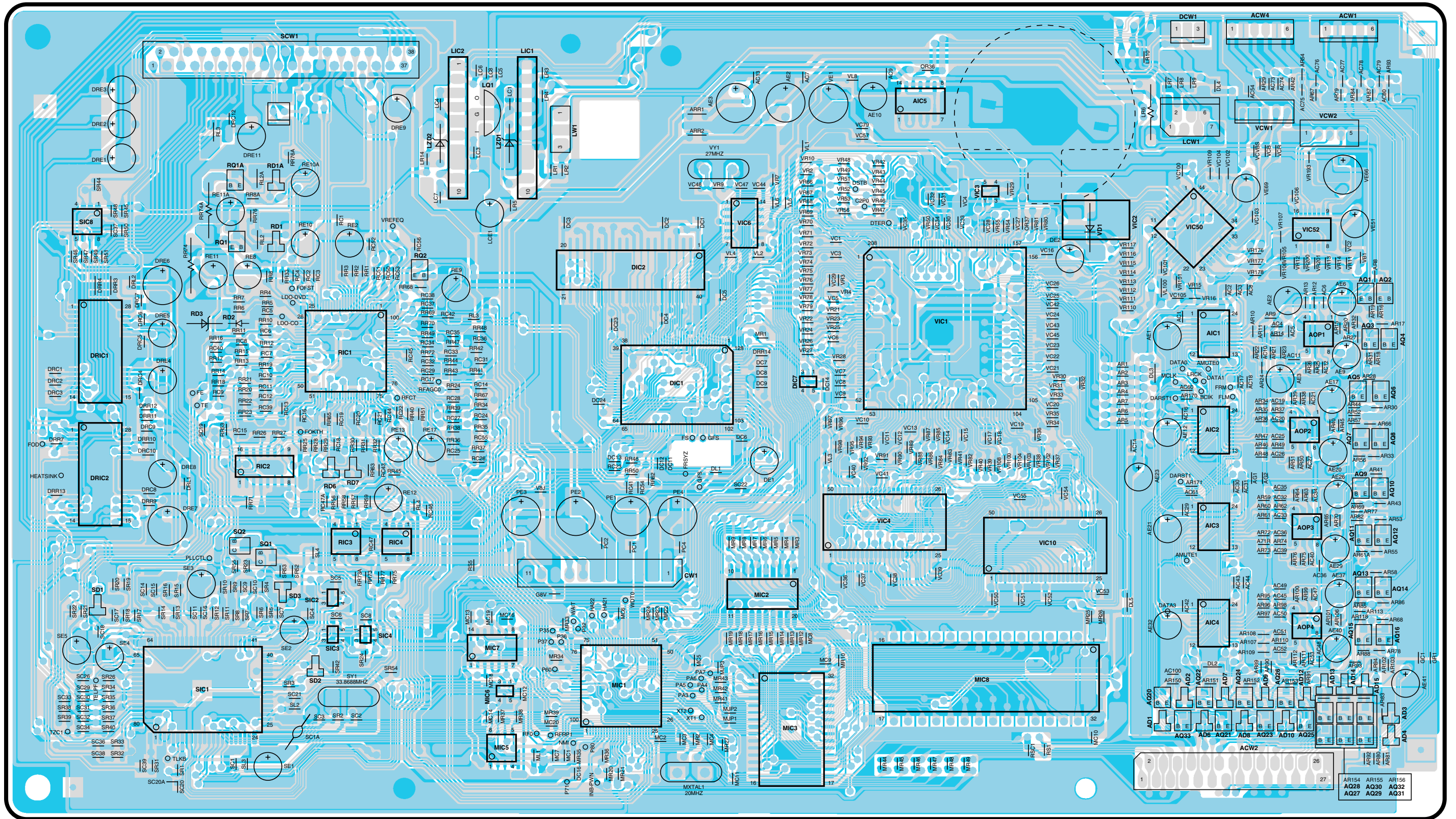
WIRING DIAGRAM

RXD-DV9

(M,M2) : AC110-120V/220-240V-50/60Hz
 (X) : AC240V-50Hz
 (T,E) : AC230V-50Hz

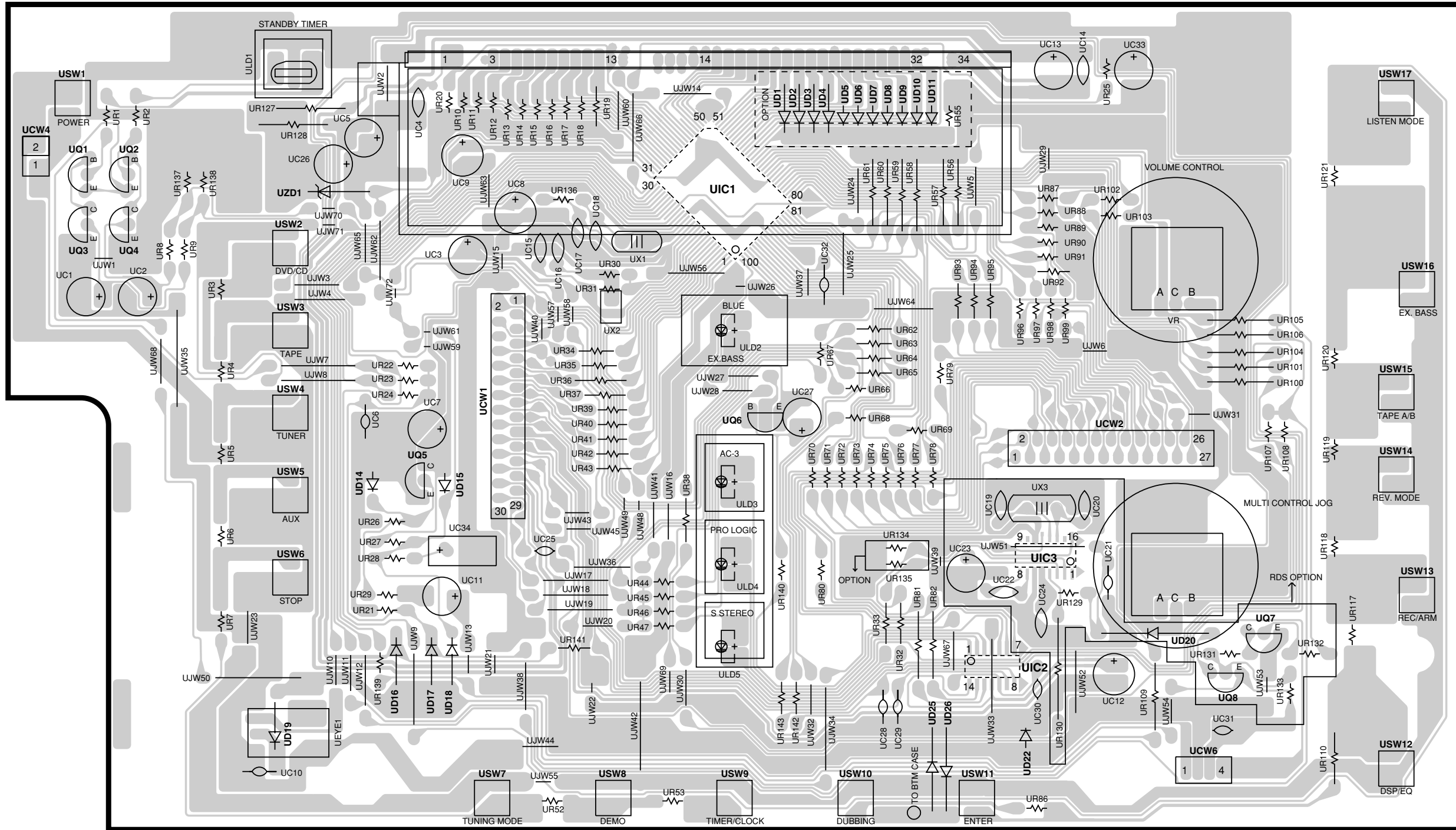
PC BOARD (Component side view)

DVD PCB

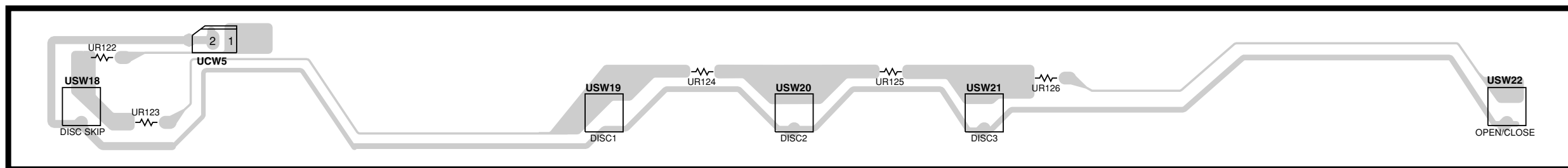


PC BOARD(Component side view)

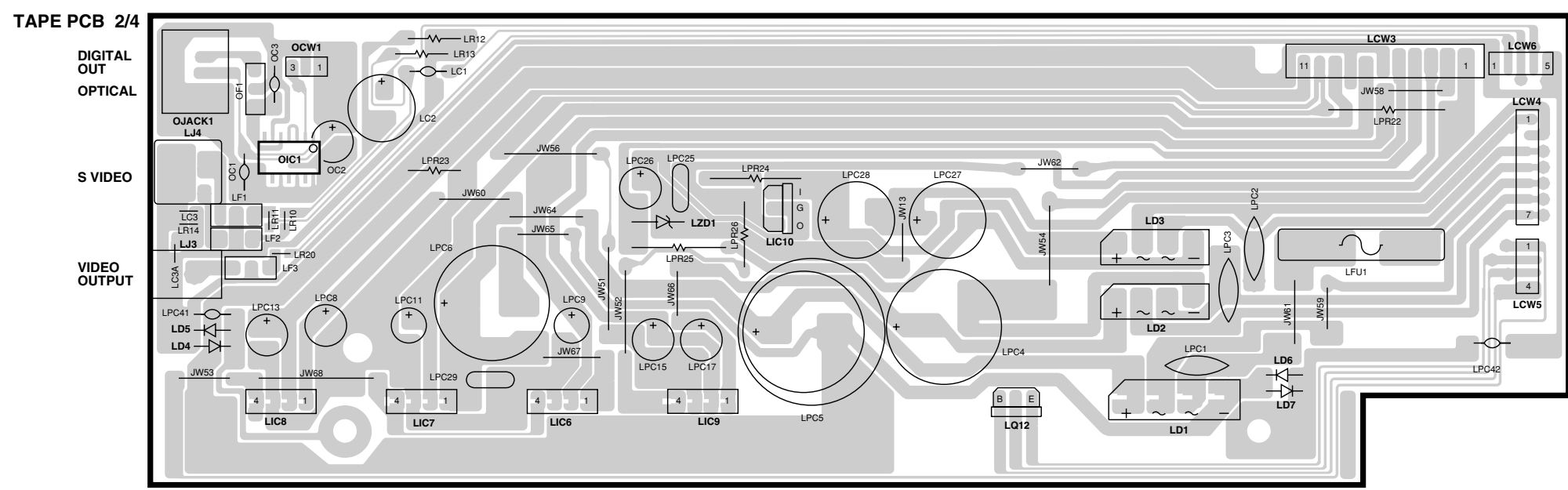
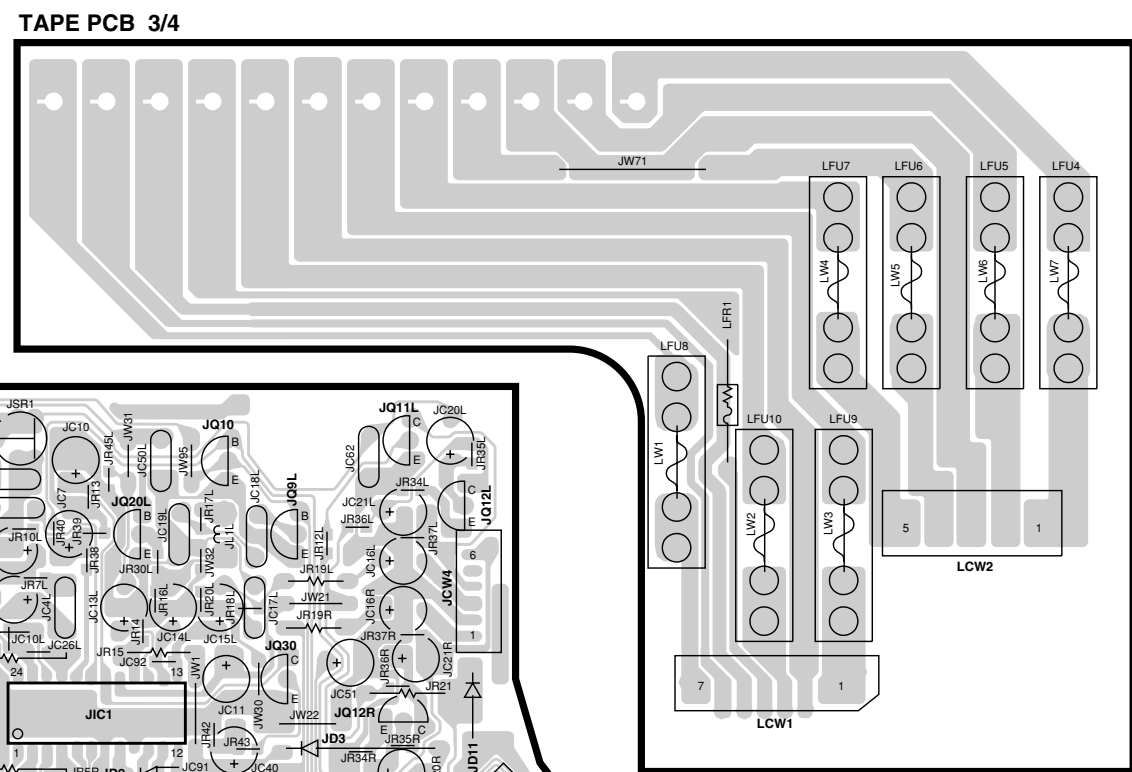
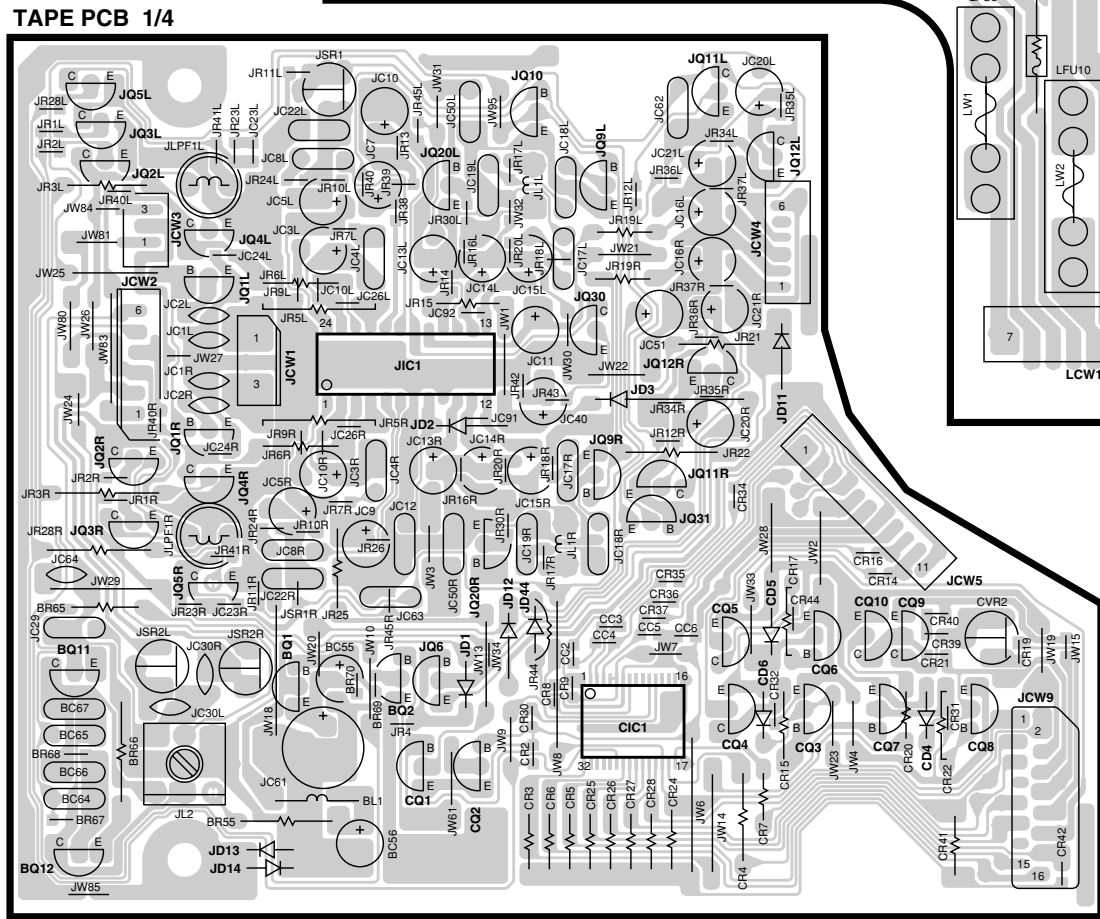
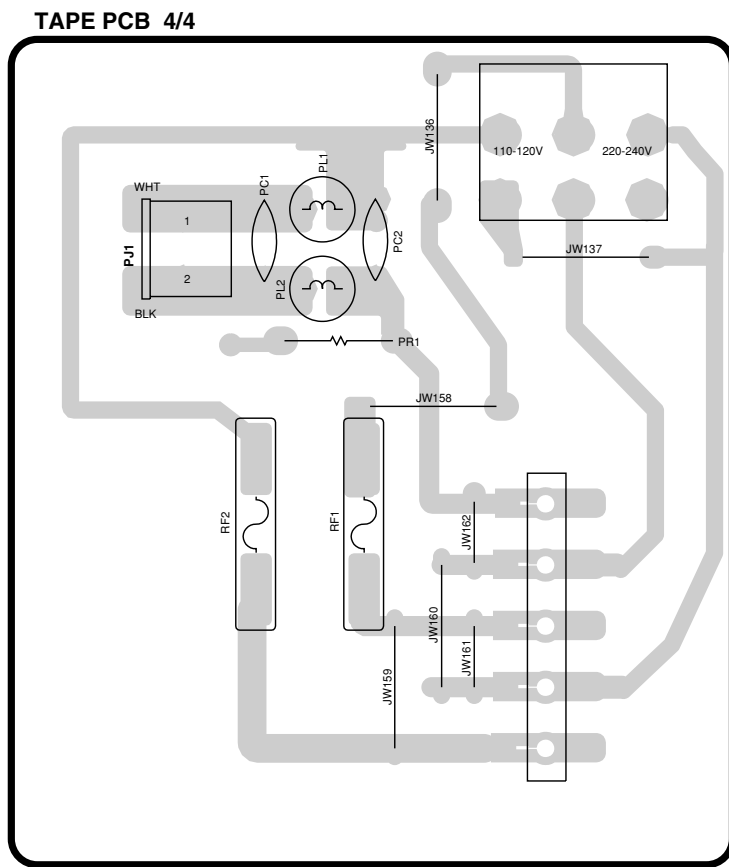
FRONT PCB 1/2



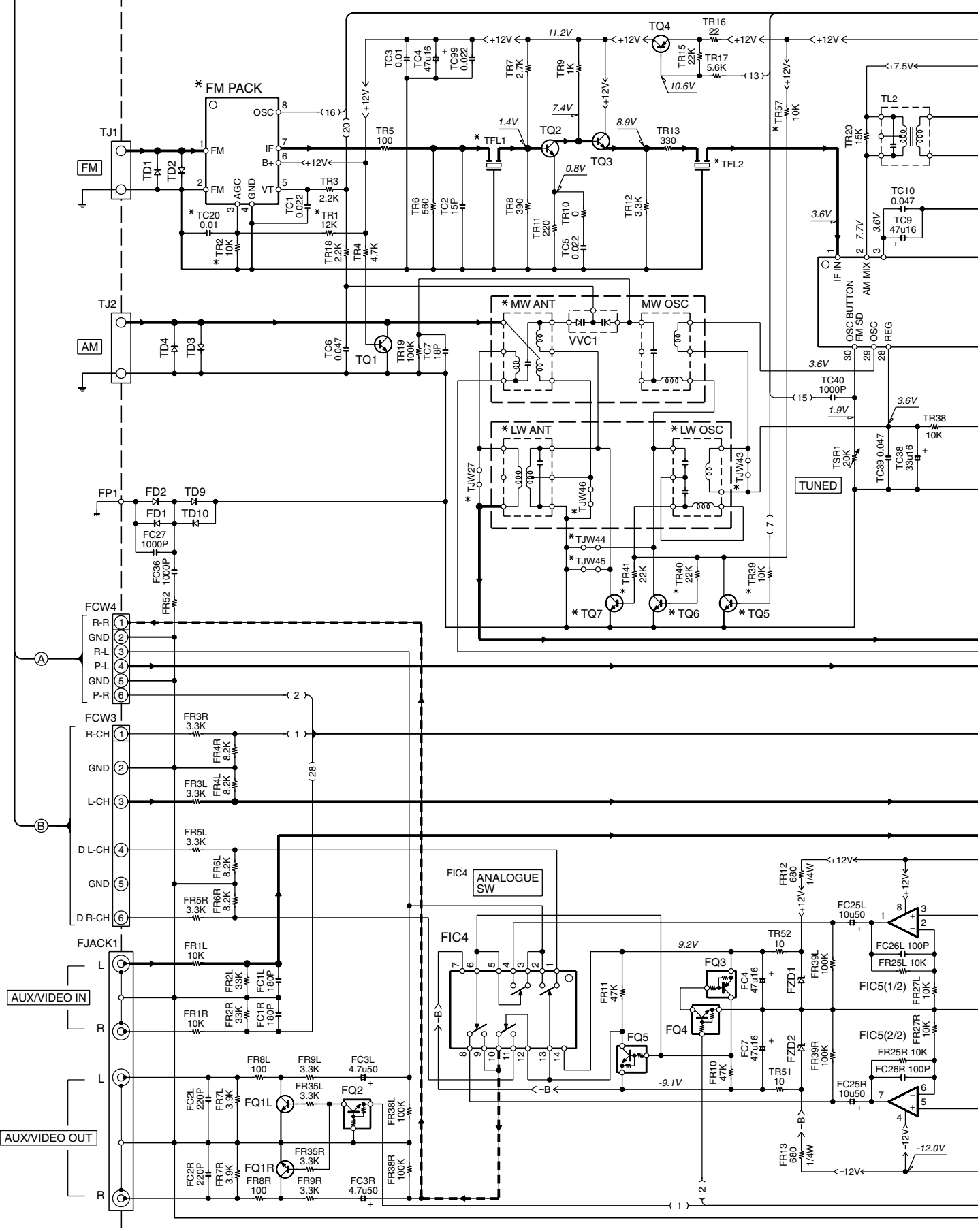
FRONT PCB 2/2



PC BOARD(Component side view)



TUNER/FUNCTION PCB



1

2

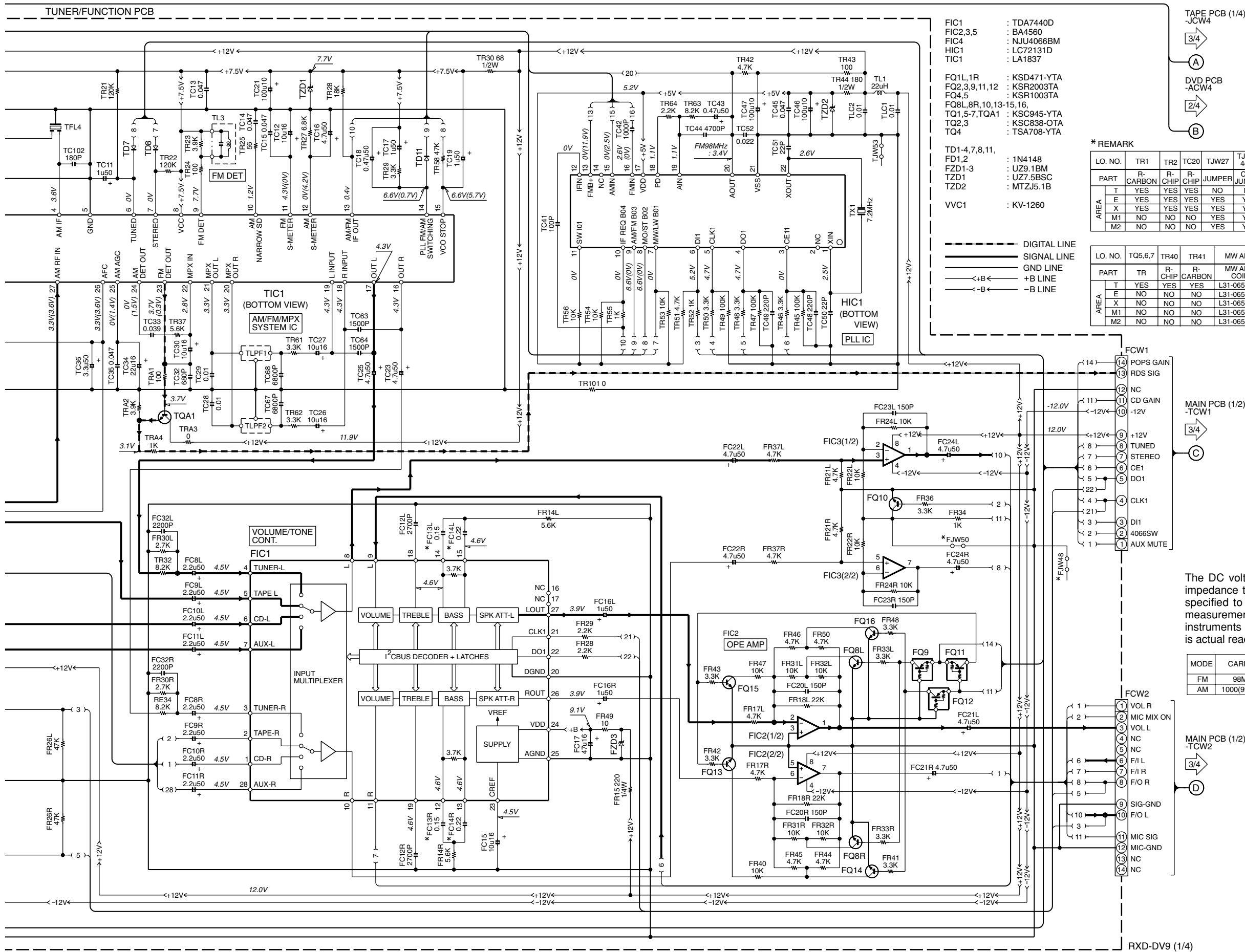
3

4

5

6

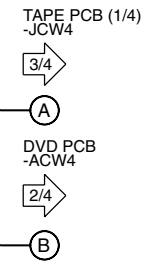
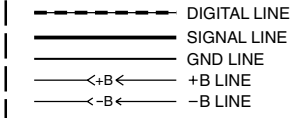
7



- FIC1 : TDA7440D
- FIC2,3,5 : BA4560
- FIC4 : NJU4066BM
- HIC1 : LC72131D
- TIC1 : LA1837

- FQ1,1R : KSD471-YTA
- FQ2,3,9,11,12 : KSR2003TA
- FQ4,5 : KSR1003TA
- FQ8L,8R,10,13-15,16 : KSC945-YTA
- TQ1,5-7,TQA1 : KSC838-OTA
- TQ2,3 : KSC838-OTA
- TQ4 : TSA708-YTA

- TD1-4,7,8,11 : 1N4148
- FD1,2 : UZ9.1BM
- FZD1-3 : UZ7.5BSC
- TZD1 : MTZJ5.1B
- TZD2 : MTZJ5.1B
- VVC1 : KV-1260



* REMARK

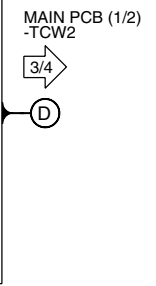
LO. NO.	TR1	TR2	TC20	TJW27	TJW43, 44, 45	FM PACK	TFL1	TR39,57
PART	R-CARBON	R-CHIP	R-CHIP	JUMPER	CHIP JUMPER	F.E.T	FILTER CERAMIC	R-CARBON
AREA	T	YES	YES	NO	NO	W02-2807-08	L72-0637-08	YES
E	YES	YES	YES	YES	YES	W02-2807-08	L72-0637-08	NO
X	YES	YES	YES	YES	YES	W02-2807-08	L72-0637-08	NO
M1	NO	NO	NO	YES	YES	W02-2808-08	L72-0636-08	NO
M2	NO	NO	NO	YES	YES	W02-2808-08	L72-0636-08	NO

LO. NO.	TQ5,6,7	TR40	TR41	MW ANT COIL	LW ANT COIL	LW OSC COIL	FJW50
PART	TR	R-CHIP	R-CARBON	MW ANT COIL	LW ANT COIL	LW OSC COIL	CHIP JUMPER
AREA	T	YES	YES	YES	L31-0657-08	YES	YES
E	NO	NO	NO	L31-0658-08	NO	NO	YES
X	NO	NO	NO	L31-0658-08	NO	NO	YES
M1	NO	NO	NO	L31-0658-08	NO	NO	NO
M2	NO	NO	NO	L31-0658-08	NO	NO	NO

CAUTION: For continued safety, replace safety critical components only with manufacturer's recommended parts (refer to parts list). Δ indicates safety critical components. For continued protection against risk of fire, replace only with same type and rating fuse(s). To reduce the risk of electric shock, leakage-current or resistance measurements shall be carried out (exposed parts are acceptably insulated from the supply circuit) before the appliance is returned to the customer.

The DC voltage is an actual reading measured with a high impedance type voltmeter as the AM/FM signal generator is specified to be shown in the list below. The measurement value may vary depending on the measuring instruments used or on the product. The value shown in () is actual reading measured in the AM mode.

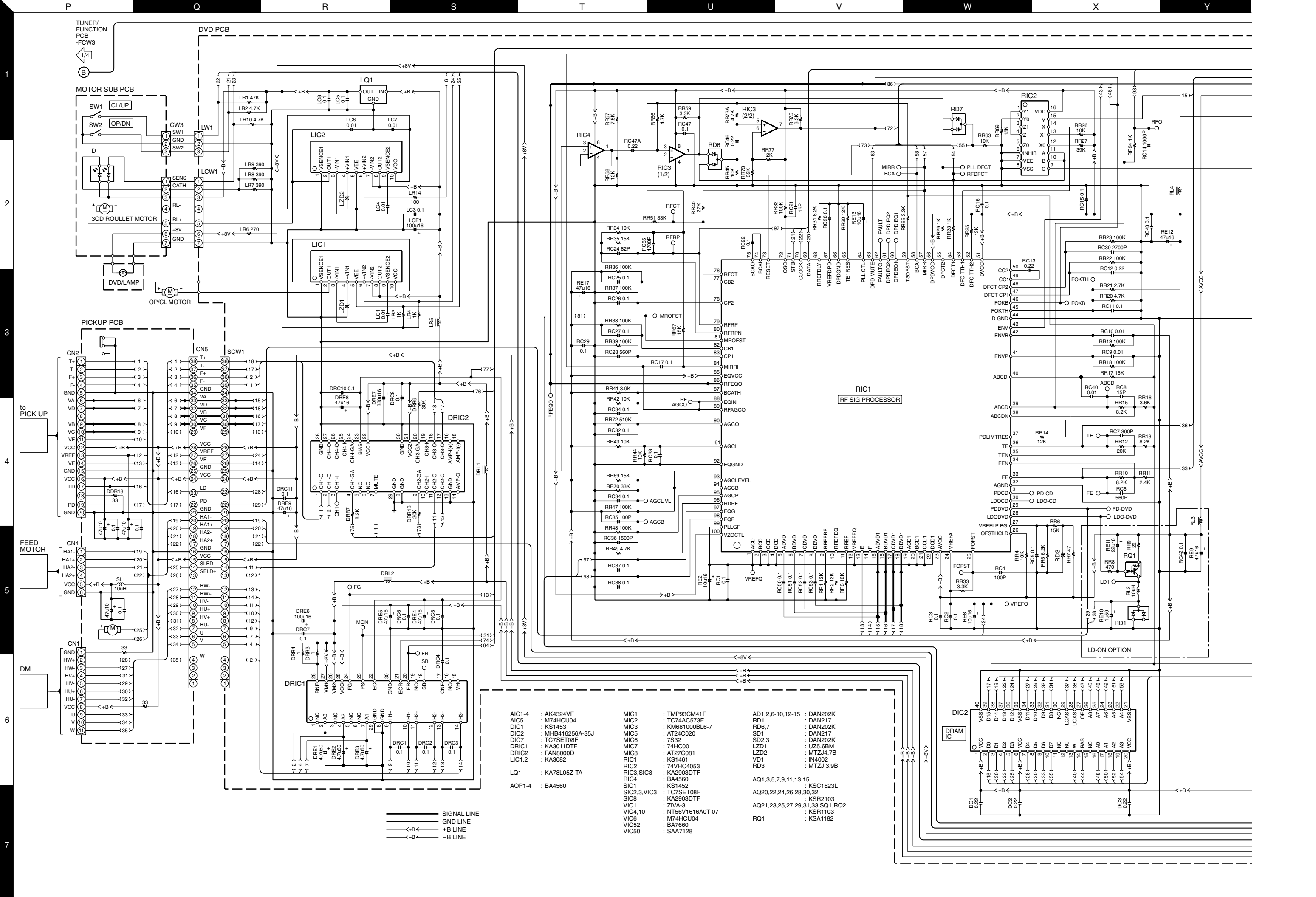
MODE	CARRIER	FREQUENCY	MODULATION		ANT INPUT
			FREQUENCY	DEVIATION	
FM	98MHz	1kHz	STEREO	67.5kHz 7.5kHz(Pilot)	60dB
AM	1000(999)kHz	400Hz	MONO	30% MOD	60dB

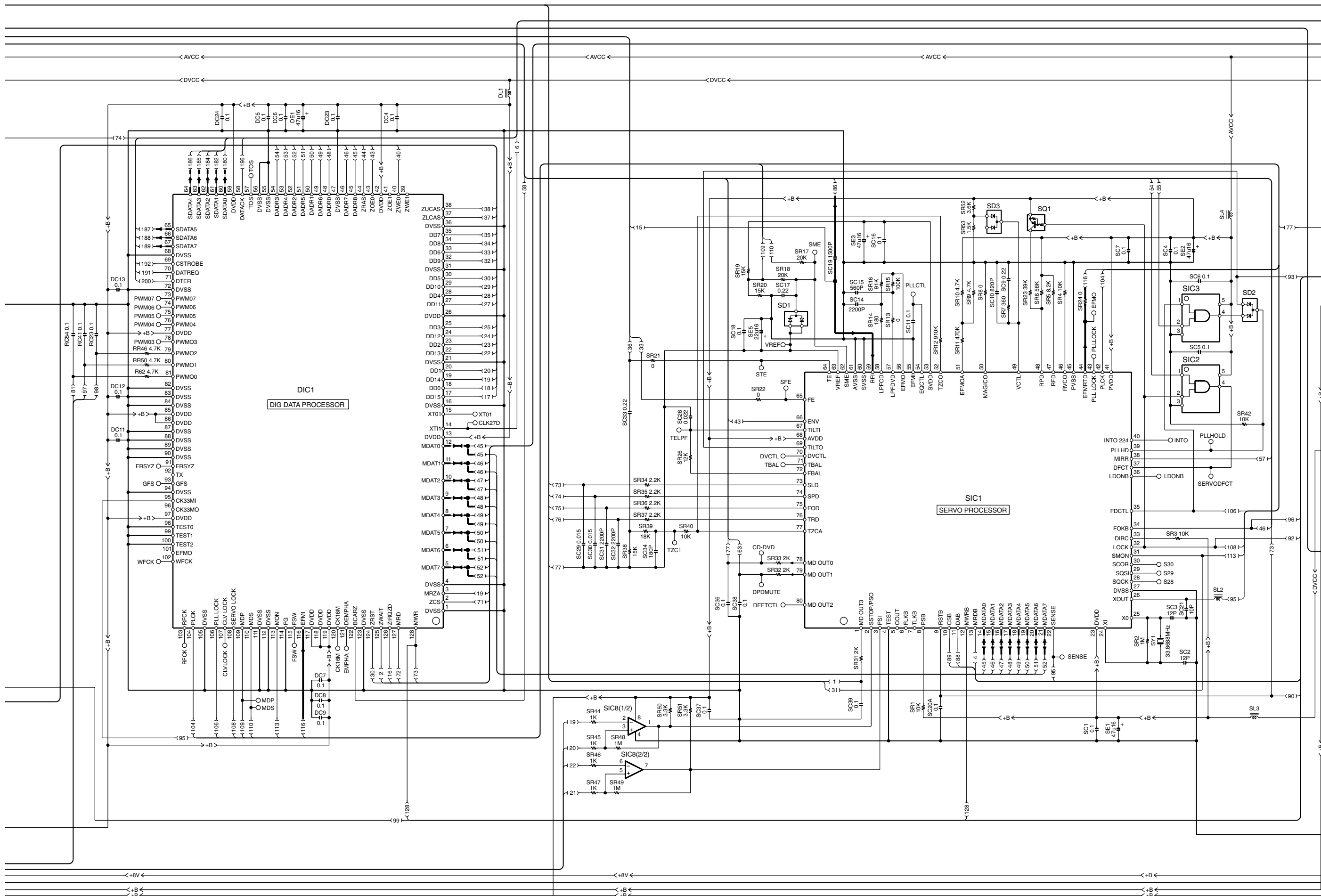


RXD-DV9

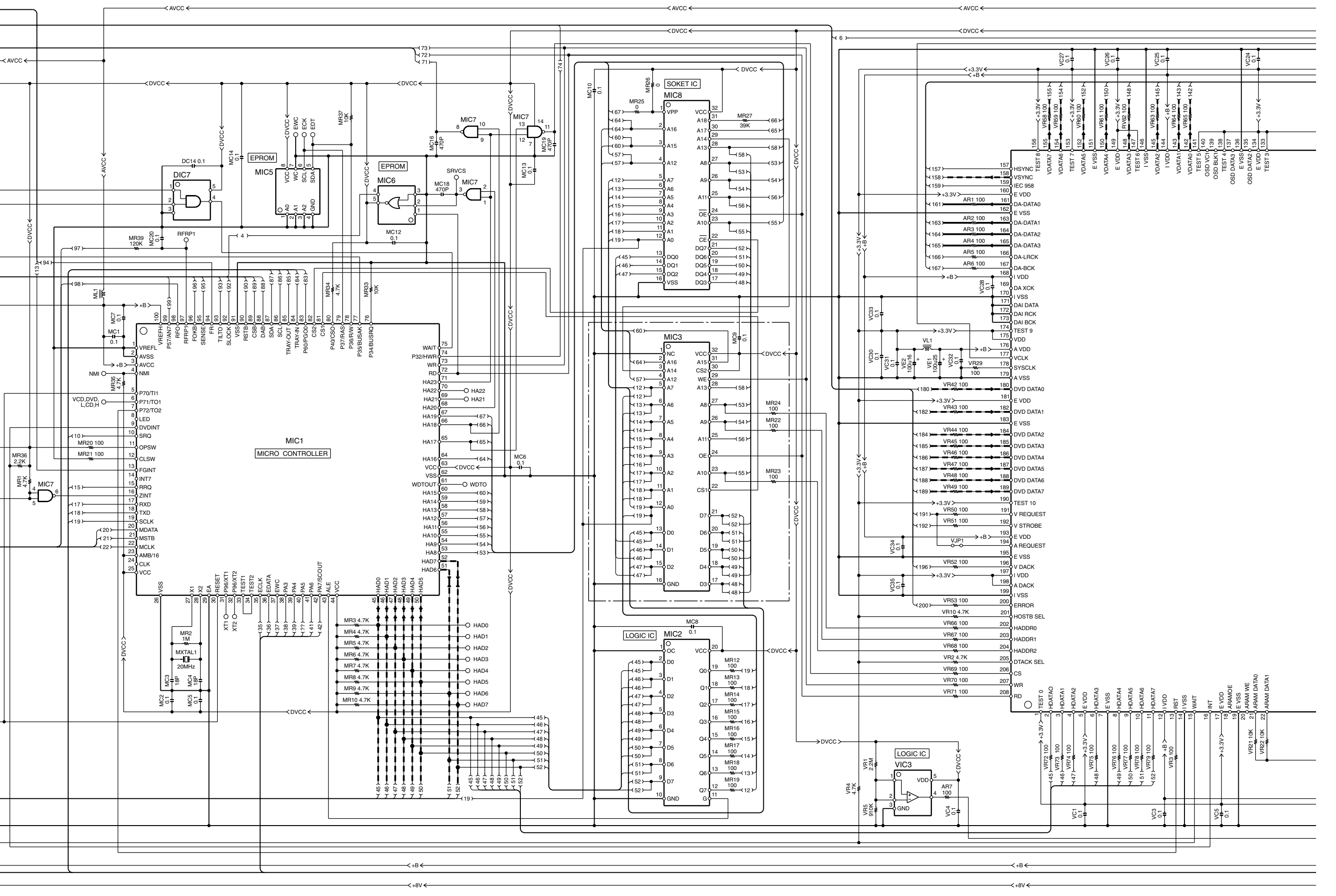
Y39-3610-51

KENWOOD





DVD PCB

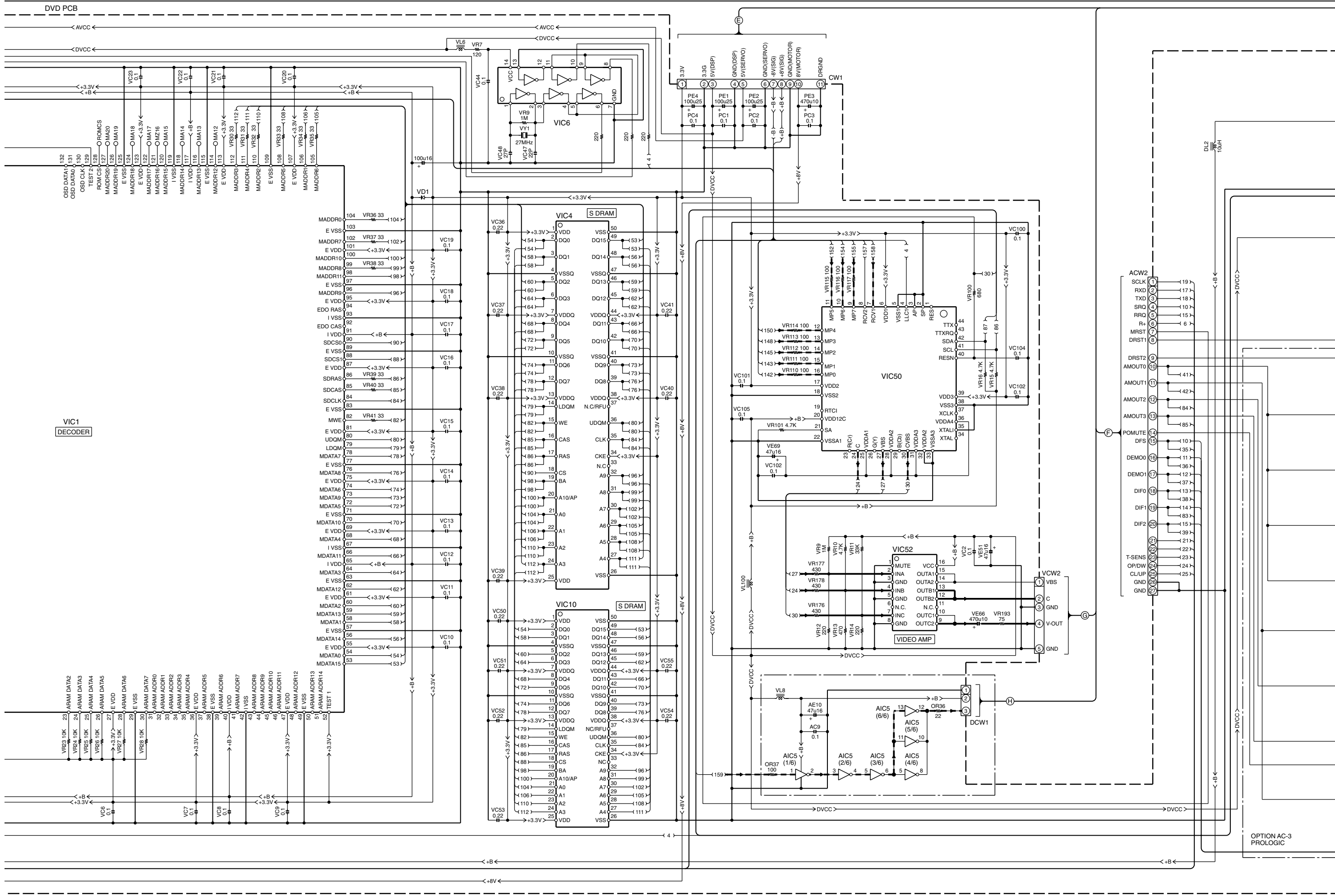


<+B<

<+8V<

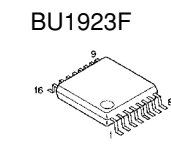
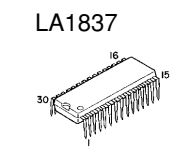
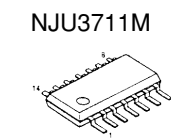
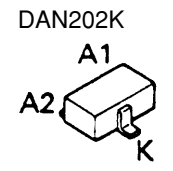
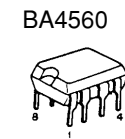
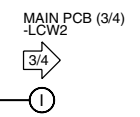
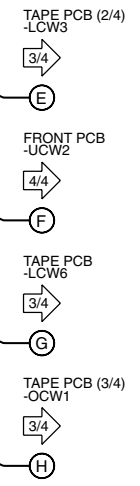
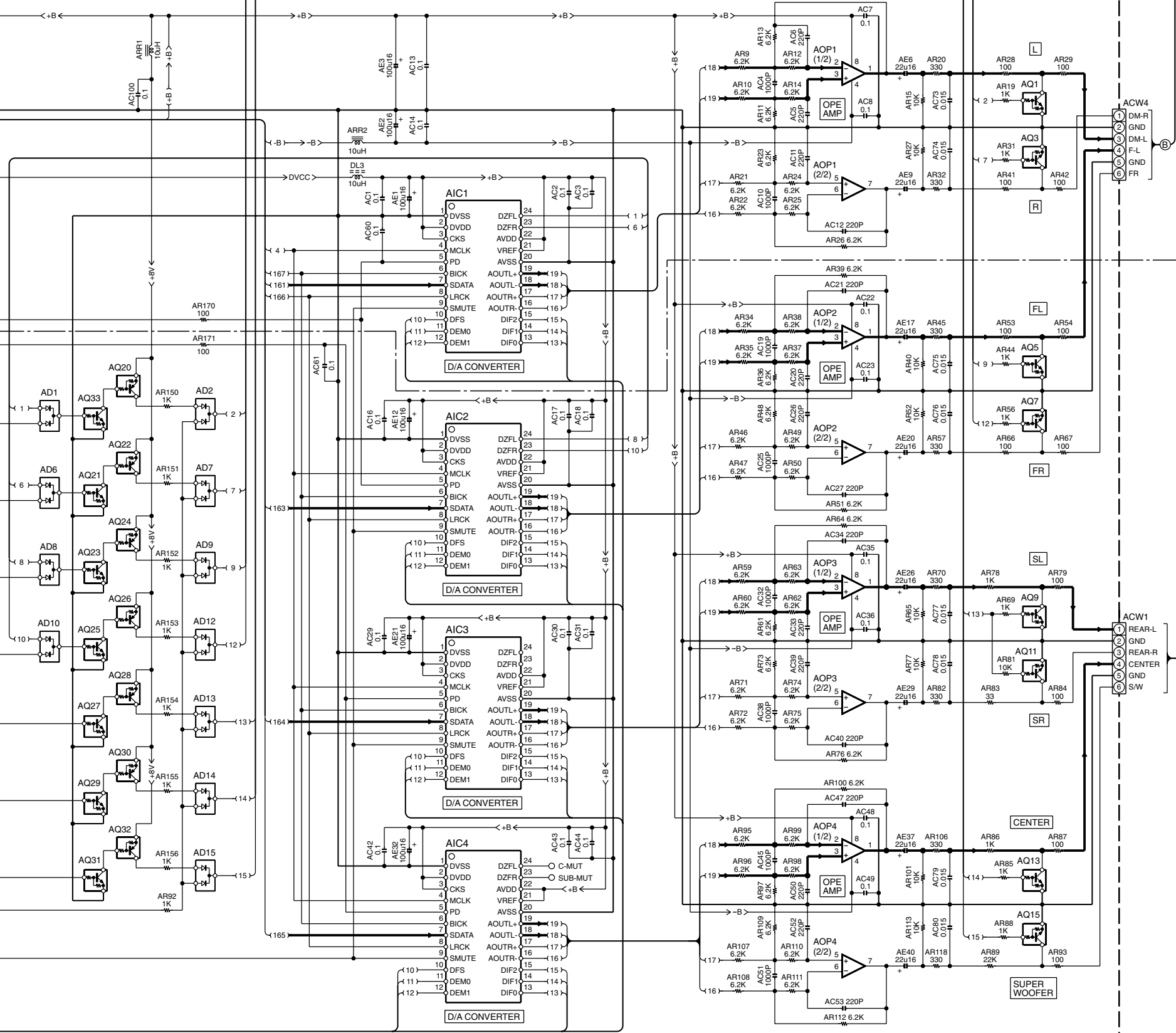
<+B<

<+8V<



OPTION AC-3 PROLOGIC

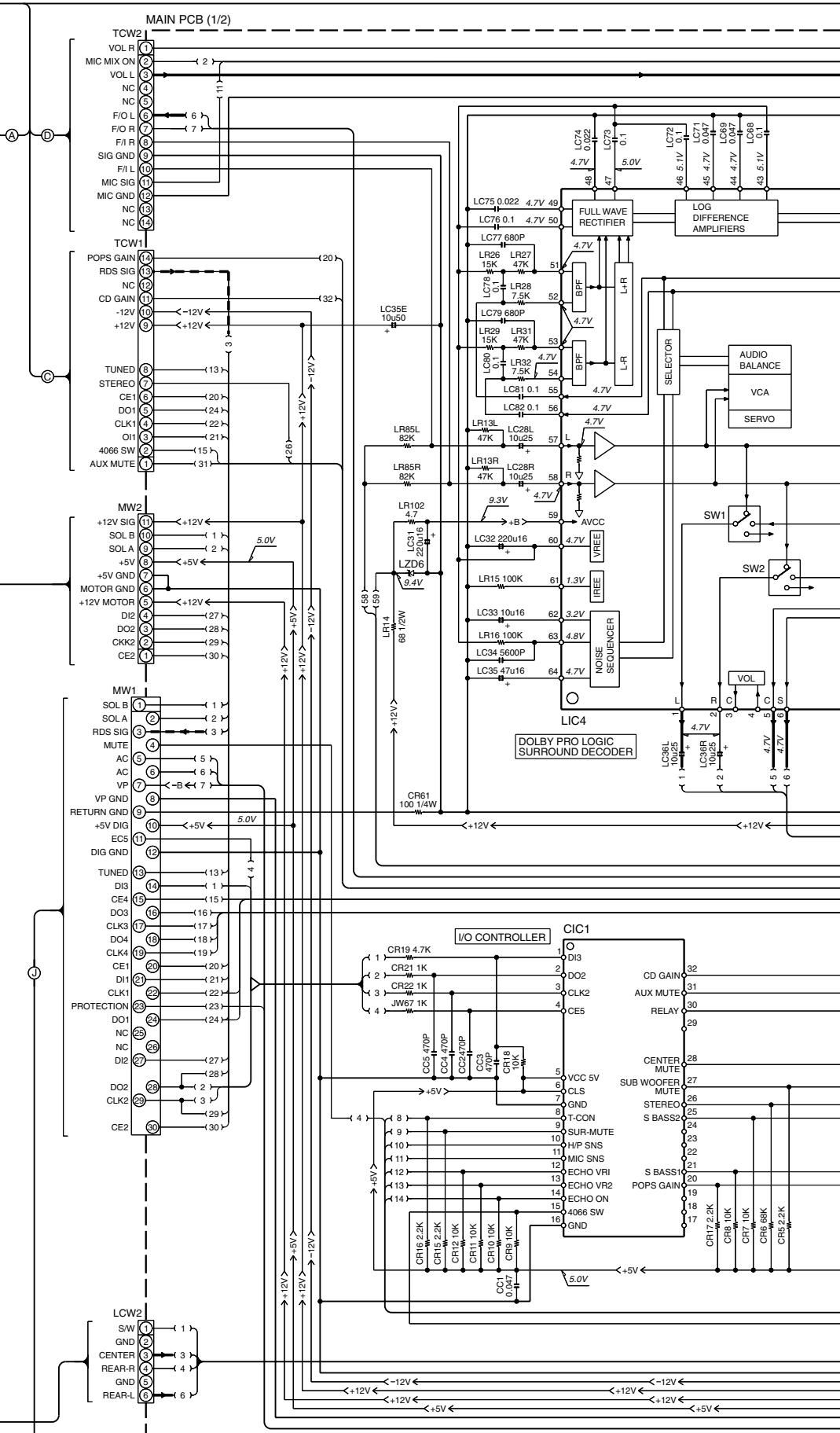
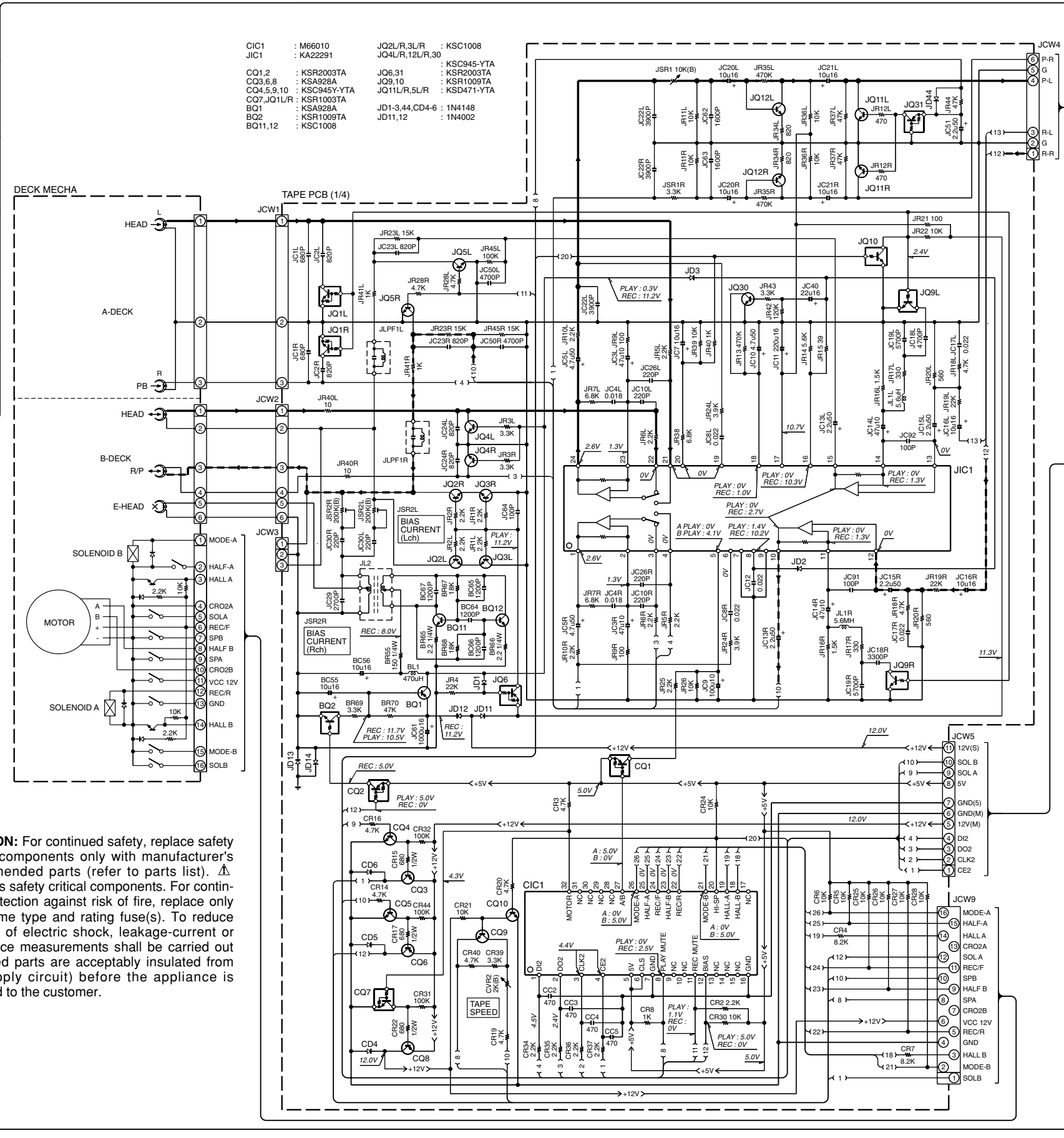
DVD PCB



CAUTION: For continued safety, replace safety critical components only with manufacturer's recommended parts (refer to parts list). ⚠ indicates safety critical components. For continued protection against risk of fire, replace only with same type and rating fuse(s). To reduce the risk of electric shock, leakage-current or resistance measurements shall be carried out (exposed parts are acceptably insulated from the supply circuit) before the appliance is returned to the customer.

The DC voltage is an actual reading measured with a high impedance type voltmeter. The measurement value may vary depending on the measuring instruments used or on the product. Refer to the voltage during LD PLAY unless otherwise specified; The value shown in () is the voltage measured at the moment of STOP. The voltage followed by (CD) refers to the value during CD PLAY.

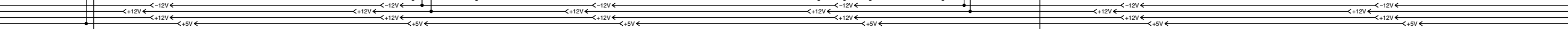
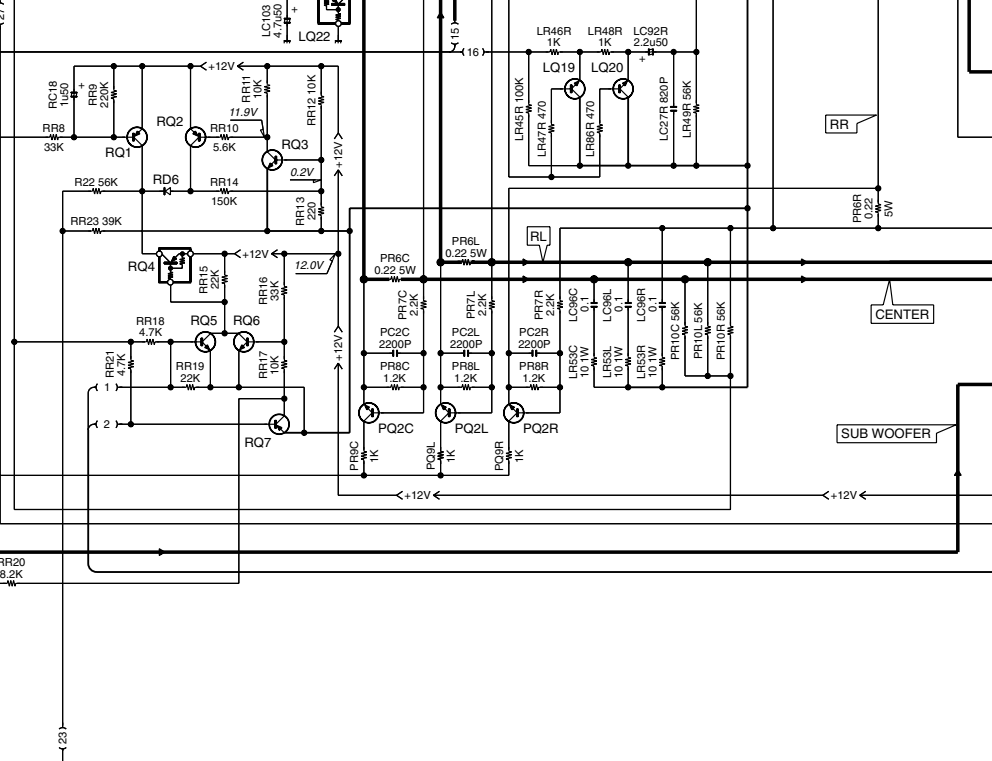
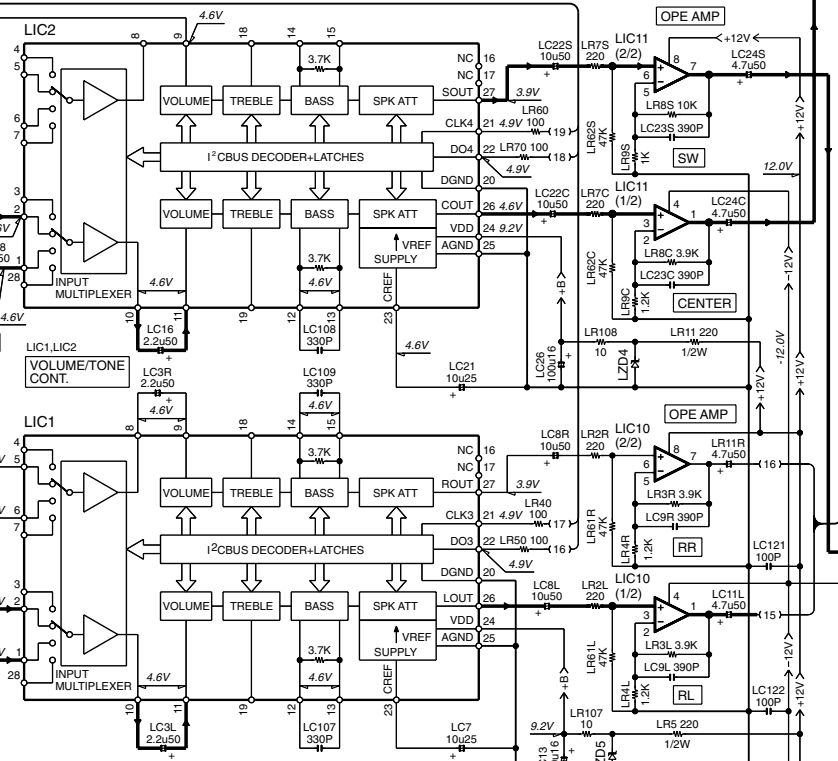
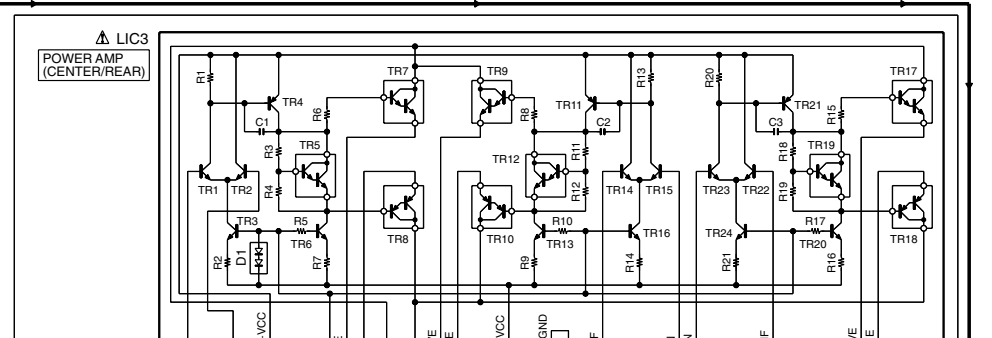
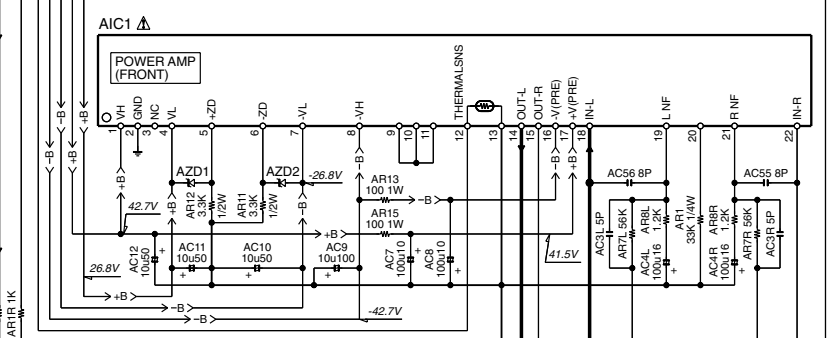
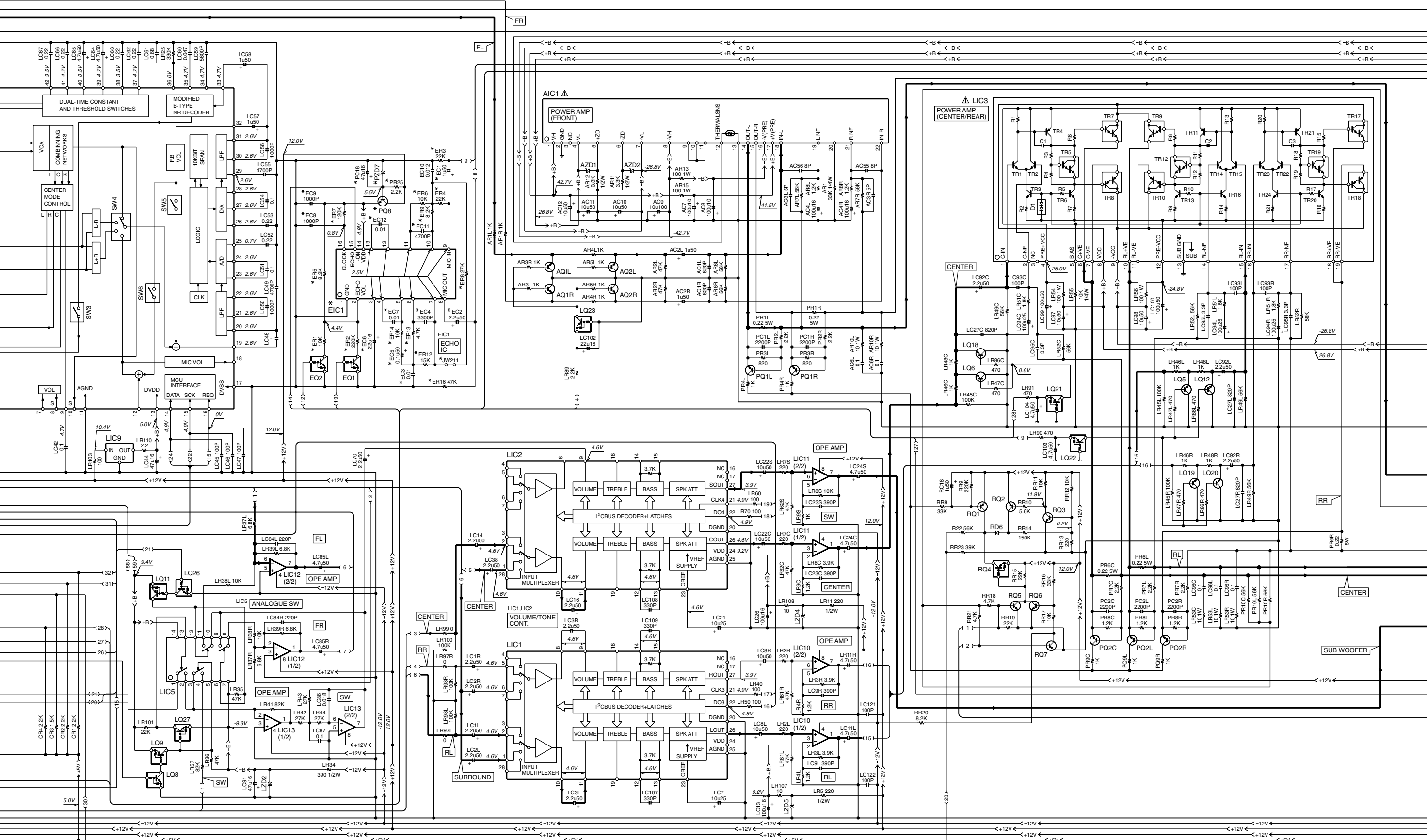
TUNER/FUNCTION -FCW4
 TUNER/FUNCTION -FCWW1
 TUNER/FUNCTION -FCW2
 DVD -CW1
 DVD -CW2
 DVD -CW1
 DVD PCB -ACW1

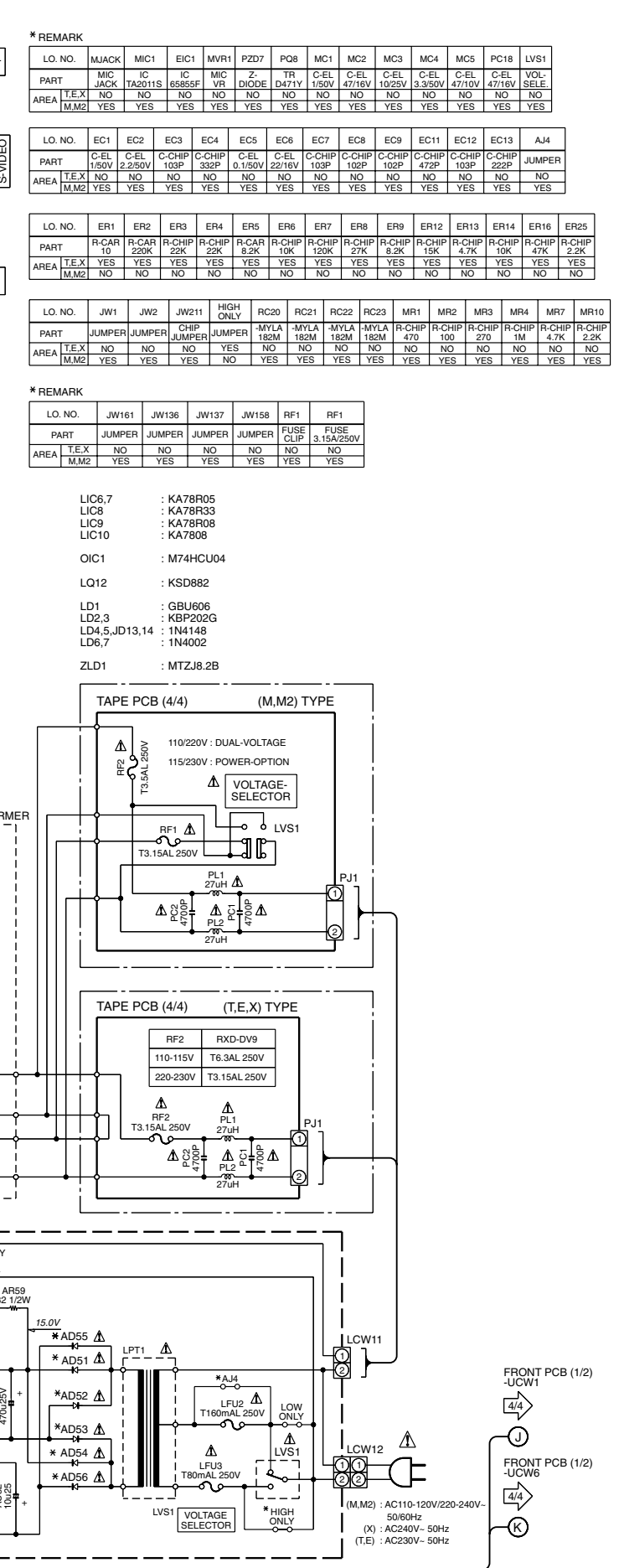
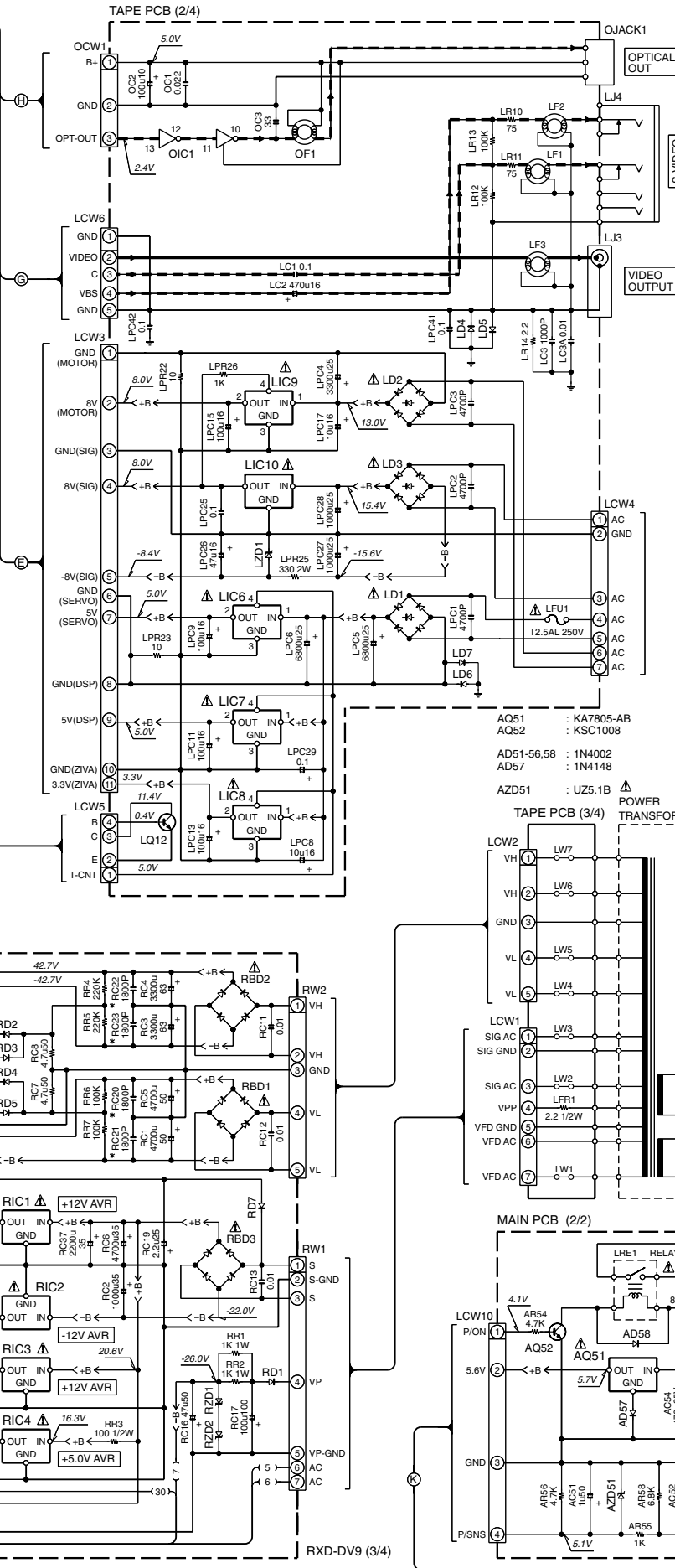
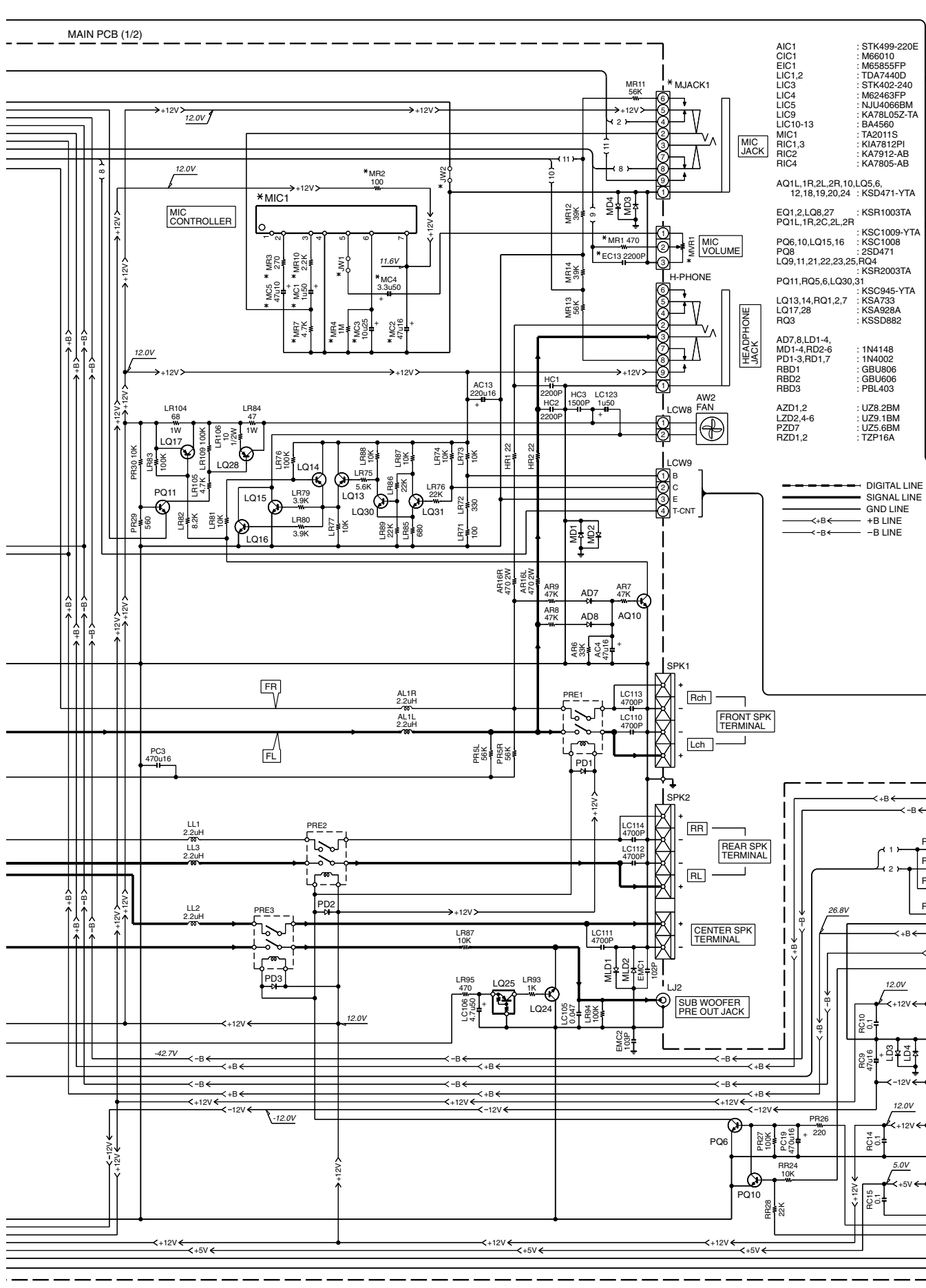


CAUTION: For continued safety, replace safety critical components only with manufacturer's recommended parts (refer to parts list). Δ indicates safety critical components. For continued protection against risk of fire, replace only with same type and rating fuse(s). To reduce the risk of electric shock, leakage-current or resistance measurements shall be carried out (exposed parts are acceptably insulated from the supply circuit) before the appliance is returned to the customer.

The DC voltage is an actual reading measured with a high impedance type voltmeter with a cassette loaded at playback mode. The measurement value may vary depending on the measuring instruments used or on the product. Bias circuit DC voltage is measured while in the record mode.

DOLBY and the double-D symbol are trademarks of Dolby Laboratories Licensing Corporation. Noise reduction circuit made under license from Dolby Laboratories Licensing Corporation.





IC

AIC1 : STK499-220E
 CIC1 : M66010
 EIC1 : M6585FP
 LIC1,2 : TA7440D
 LIC3 : STK402-240
 LIC4 : M62463FP
 LIC5 : NUJ4066BM
 LIC9 : KA78L05Z-TA
 LIC10-13 : BA4560
 MIC1 : TA2011S
 RIC1,3 : KA7812PI
 RIC2 : KA7912-AB
 RIC4 : KA7805-AB

IC

AQ1L,1R,2L,2R,10,LO5,6,12,18,19,20,24 : KSD471-YTA
 EO1,2,LO8,27 : KSR1003TA
 PQ1L,1R,2C,2L,2R : KSC1009-YTA
 PO6,10,LO15,16 : KSC1008
 PQ8 : 2SD471
 LO9,11,21,22,23,25,RQ4 : KSR2003TA
 PQ11,RQ5,6,LQ30,31 : KSC945-YTA
 LO13,14,RQ1,2,7 : KSA733
 LQ17,28 : KSA928A
 RQ3 : KSSD882

IC

AD7,8,LD1-4,MD1-4,RD2-6,PD1-3,RD1,7 : 1N4148
 RBD1 : 1N4002
 RBD2 : GBU806
 RBD3 : GBU806
 RBD3 : PBL403

IC

AZD1,2 : UZ8.2BM
 LZD2,4-6 : UZ9.1BM
 PZD7 : UZ5.6BM
 RZD1,2 : TZP16A

***REMARK**

LO. NO.	MJACK	MIC1	EIC1	MVR1	PZD7	PO8	MC1	MC2	MC3	MC4	MC5	PC18	LVS1
PART	JACK	IC	IC	VR	Z-DIODE	TR	C-EL	C-EL	C-EL	C-EL	C-EL	C-EL	VOL-SELE.
AREA	T,E,X	NO	NO	NO	NO	NO	NO	NO	NO	NO	NO	NO	NO
M,M2	YES	YES	YES	YES	YES	YES	YES	YES	YES	YES	YES	YES	YES

LO. NO.	EC1	EC2	EC3	EC4	EC5	EC6	EC7	EC8	EC9	EC11	EC12	EC13	AJ4
PART	C-EL	C-EL	C-CHIP	C-CHIP	C-EL	C-EL	C-CHIP	C-CHIP	C-CHIP	C-CHIP	C-CHIP	C-CHIP	JUMPER
AREA	T,E,X	NO	NO	NO	NO	NO	NO	NO	NO	NO	NO	NO	NO
M,M2	YES	NO	YES	YES	YES	YES	YES	YES	YES	YES	YES	YES	NO

LO. NO.	ER1	ER2	ER3	ER4	ER5	ER6	ER7	ER8	ER9	ER12	ER13	ER14	ER16	ER25
PART	R-CAR	R-CAR	R-CHIP	R-CHIP	R-CAR	R-CHIP	R-CHIP	R-CHIP	R-CHIP	R-CHIP	R-CHIP	R-CHIP	R-CHIP	R-CHIP
AREA	T,E,X	NO	NO	NO	NO	NO	NO	NO	NO	NO	NO	NO	NO	NO
M,M2	YES	NO	YES	YES	YES	YES	YES	YES	YES	YES	YES	YES	YES	YES

LO. NO.	JW1	JW2	JW211	HIGH ONLY	RC20	RC21	RC22	RC23	MR1	MR2	MR3	MR4	MR7	MR10
PART	JUMPER	JUMPER	JUMPER	JUMPER	MYLA	MYLA	MYLA	MYLA	R-CHIP	R-CHIP	R-CHIP	R-CHIP	R-CHIP	R-CHIP
AREA	T,E,X	NO	NO	NO	NO	NO	NO	NO	NO	NO	NO	NO	NO	NO
M,M2	YES	YES	YES	NO	YES	YES	YES	YES	YES	YES	YES	YES	YES	YES

***REMARK**

LO. NO.	JW161	JW136	JW137	JW158	RF1	RF1
PART	JUMPER	JUMPER	JUMPER	JUMPER	FUSE CLIP	FUSE
AREA	T,E,X	NO	NO	NO	NO	NO
M,M2	YES	YES	YES	YES	YES	YES

LIC

LIC6,7 : KA78R05
 LIC8 : KA78R33
 LIC9 : KA78R08
 LIC10 : KA78B08

OIC

OIC1 : M74HCU04

LQ

LQ12 : KSD882

LD

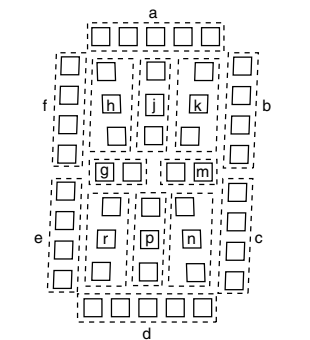
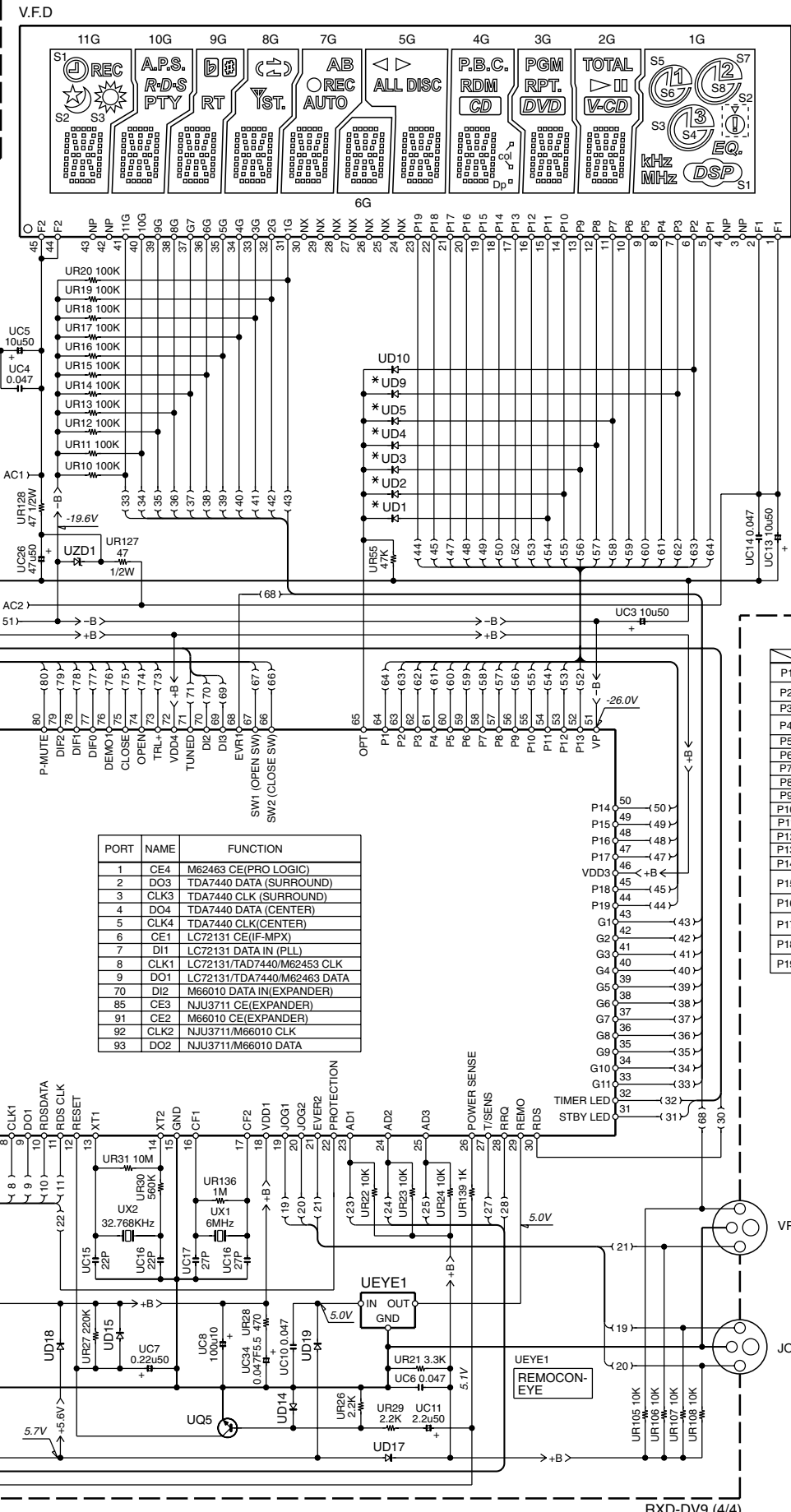
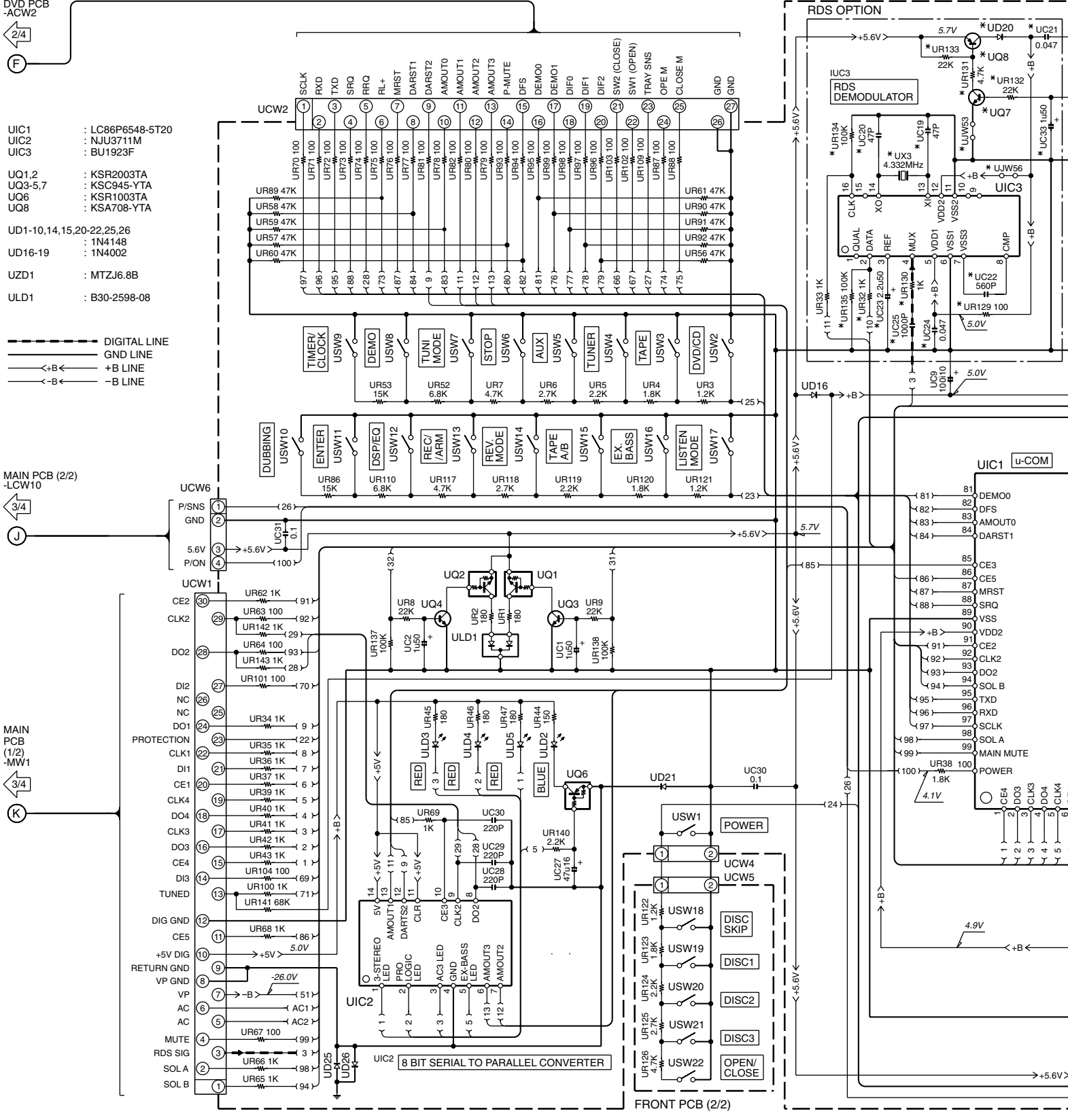
LD1 : GBU606
 LD2,3 : KBP202G
 LD4,5,LD13,14 : 1N4148
 LD6,7 : 1N4002

ZLD

ZLD1 : MTZJ8.2B

*REMARK

LO. NO.	UC19	UC20	UC21	UC22	UC23	UC24	UC25	UR129	UR130	UR131	UR132	UR133	UR134	UR135	UQ7	UQ8	UD20	UJW51	UJW53	UX3	UIC3	UD1	UD2	UD3	UD4	UD5	UD9
PART	C-DISC 47P	C-DISC 47P	C-DISC 47P	C-DISC 561P	C-EL 2.2/50V	C-DISC 473P	C-DISC 102P	R-CAR 100	R-CAR 1K	R-CAR 4.7K	R-CAR 22K	R-CAR 22K	R-CAR 100K	R-CAR 100K	TR C945	TR A708Y	DIODE IN4148	JUMPER	JUMPER	CRYSTAL 4.332M	IC BU1923F	DIODE IN4148	DIODE IN4148	DIODE IN4148	DIODE IN4148	DIODE IN4148	
AREA	T	YES	YES	YES	YES	YES	YES	YES	YES	YES	YES	YES	NO	NO	NO	YES	YES	YES	YES	YES	YES	NO	NO	NO	NO	NO	YES
	E	YES	YES	YES	YES	YES	YES	YES	YES	YES	YES	YES	NO	NO	NO	YES	YES	YES	YES	YES	YES	NO	NO	NO	NO	NO	YES
	M	NO	NO	NO	NO	NO	NO	NO	NO	NO	NO	NO	NO	NO	NO	NO	NO	NO	NO	NO	NO	NO	NO	NO	NO	NO	NO
	M2	NO	NO	NO	NO	NO	NO	NO	NO	NO	NO	NO	NO	NO	NO	NO	NO	NO	NO	NO	NO	NO	NO	NO	NO	NO	NO



	11G	10G	9G	8G	7G
P1	a	a	a	a	a
P2	b	b	b	b	b
P3	f	f	f	f	f
P4	h	h	h	h	h
P5	j	j	j	j	j
P6	k	k	k	k	k
P7	g	g	g	g	g
P8	m	m	m	m	m
P9	c	c	c	c	c
P10	e	e	e	e	e
P11	r	r	r	r	r
P12	p	p	p	p	p
P13	n	n	n	n	n
P14	d	d	d	d	d
P15	S1	PTY	RD	ST	AUTO
P16	S2	R-D-S	PT	ST	EQ
P17	S3	A.P.S.	RT	REC	A
P18	REC	-	-	-	B
P19	-	-	-	-	-

	6G	5G	4G	3G	2G	1G
P1	a	a	a	a	a	MHz
P2	b	b	b	b	b	kHz
P3	f	f	f	f	f	S1
P4	h	h	h	h	h	EQ
P5	j	j	j	j	j	S2
P6	k	k	k	k	k	S3
P7	g	g	g	g	g	S4
P8	m	m	m	m	m	S5
P9	e	e	e	e	e	S6
P10	c	c	c	c	c	S7
P11	r	r	r	r	r	S8
P12	p	p	p	p	p	-
P13	n	n	n	n	n	-
P14	d	d	d	d	d	-
P15	-	ALL	col	DVD	V-CD	-
P16	-	DISC	Dp	RPT.	▷	-
P17	-	-	CD	PGM.	□	-
P18	-	▷	RDM	-	TOTAL	-
P19	-	-	P.B.C.	-	-	-

CAUTION: For continued safety, replace safety critical components only with manufacturer's recommended parts (refer to parts list). Δ indicates safety critical components. For continued protection against risk of fire, replace only with same type and rating fuse(s). To reduce the risk of electric shock, leakage-current or resistance measurements shall be carried out (exposed parts are acceptably insulated from the supply circuit) before the appliance is returned to the customer.

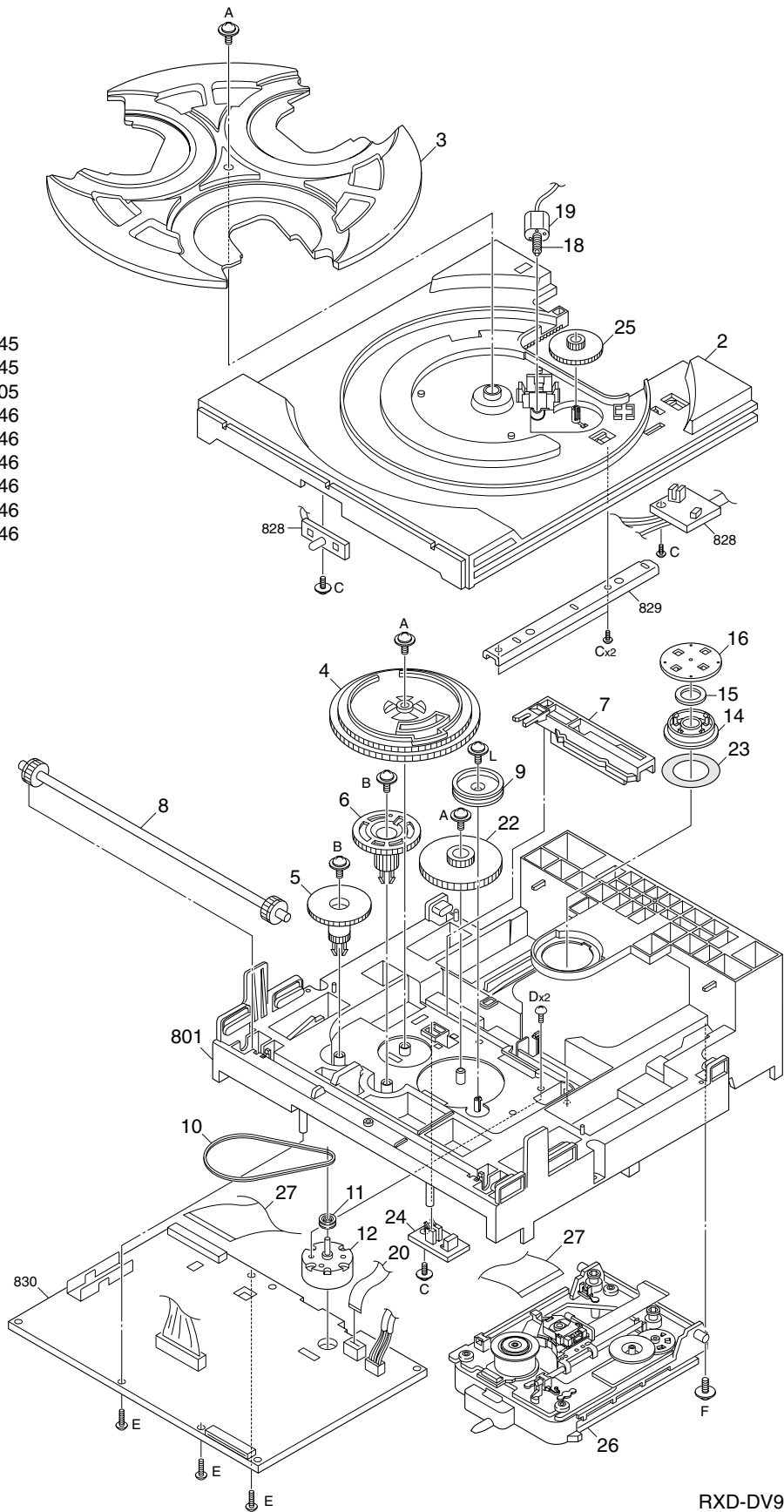
The DC voltage is an actual reading measured with a high impedance type voltmeter with no signal input. The measurement value may vary depending on the measuring instruments used or on the product.

Y39-3610-51

RXD-DV9
KENWOOD

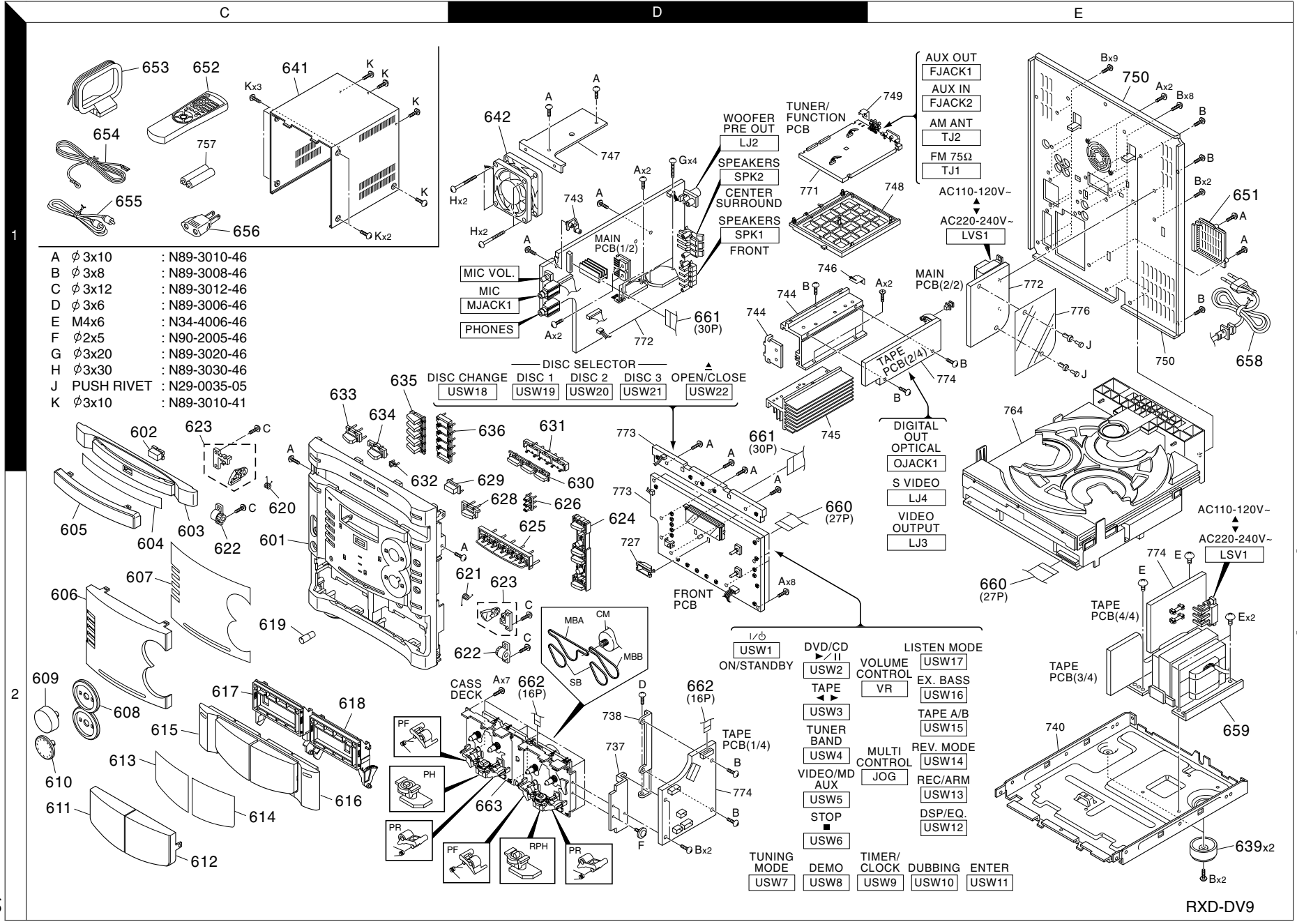
EXPLODED VIEW(CD MECHANISM)

- A $\phi 3 \times 8$ (BLK) : N82-3008-45
: N15-1050-45
- B $\phi 2.6 \times 10$: N09-2769-05
- C $\phi 2 \times 5$: N82-2005-46
: N15-1020-46
- D M2.6x4 : N30-2604-46
- E $\phi 3 \times 10$: N89-3010-46
- F $\phi 3 \times 10$: N82-3010-46
: N15-1050-46



RXD-DV9

Parts with exploded numbers larger than 700 are not supplied.



RXD-DV9

* New Parts
 Parts without **Parts No.** are not supplied.
 Les articles non mentionnés dans le **Parts No.** ne sont pas fournis.
 Teile ohne **Parts No.** werden nicht geliefert.

①

Ref. No	Address	New Parts	Parts No.	Description	Destination	Remarks
RXD-DV9						
601	2C	*	A60-2011-08	FRONT PANEL	MM2	
601	2C	*	A60-2012-08	FRONT PANEL	ETX	
602	1C	*	B19-1627-08	LENS-DVD		
603	2C	*	A60-2013-08	TRAY-PANEL		
604	2C	*	G16-1225-08	SHEET-T/P		
605	2C	*	B10-3680-08	TRAY-GLASS		
606	2C	*	B10-3681-08	F-GLASS	MM2X	
606	2C	*	B10-3682-08	F-GLASS-ET	ET	
607	2C	*	G16-1226-08	SHEET-F/P		
608	2C	*	B07-2561-08	RING-VOL		
609	2C	*	K29-7945-08	KNOB-VOL		
610	2C	*	K29-7946-08	KNOB-JOG		
611	2C	*	B10-3683-08	DOOR-GLA-A		
612	2C	*	B10-3684-08	DOOR-GLA-B		
613	2C	*	G16-1227-08	SHEET-D/A		
614	2C	*	G16-1228-08	SHEET-D/B		
615	2C	*	A53-2242-08	DOOR-CASSA		
616	2C	*	A53-2243-08	DOOR-CASSB		
617	2C	*	A53-2244-08	HOLDER-CAA		
618	2C	*	A53-2245-08	HOLDER-CAB		
619	2C	*	K29-7947-08	KNOB-MIC	MM2	
620	2C	*	G01-4252-08	SPRING-EJA		
621	1D	*	G01-4253-08	SPRING-EJB		
622	1C,1D	*	D39-0352-08	DAMPER		
623	1C,1D	*	D10-3986-08	ASS'Y LATCH		
624	2D	*	K29-7948-08	KNOB-EQ		
625	2D	*	K29-7949-08	KNOB-TUNIN		
626	2D	*	B19-1628-08	LENS-PRO		
628	2D	*	K29-7950-08	KNOB-OP/CL		
629	2D	*	B19-1629-08	LENS-BASS		
630	2D	*	B03-3883-08	LENS-DISC		
631	1D	*	J19-6179-08	HOLDER-DIS		
632	2C	*	B19-1630-08	LENS-STANDBY		
633	1C	*	K29-7951-08	KNOB-DCHAN		
634	1C	*	K29-7952-08	KNOB-POWER		
635	1C	*	B03-3884-08	LENS-FUNCTION		
636	1D	*	J19-6180-08	HOLDER-FUN		
639	2E	*	J02-1514-08	FOOT-REAR		
641	1C	*	A01-3810-08	CASE		
642	1D	*	F09-0158-08	FAN		
651	1E	*	B06-2009-08	CAP-REAR		
652	1C	*	A70-1499-08	REMOCON	TE	
652	1C	*	A70-1500-08	REMOCON	MM2	
652	1C	*	A70-1501-08	REMOCON	X	
653	1C	*	T90-0874-08	LOOP-ANT		
654	1C	*	T90-0875-08	ANT-FM,T		
655	1C	*	E30-1427-05	VIDEO CORD	T	
656	1C	*	E03-0115-05	AC PLUG ADAPTER	T	
658	1E	*	E30-7202-08	AC-CORD	T	
658	1E	*	E30-7203-08	AC-CORD	X	
658	1E	*	E30-7204-08	AC-CORD		
659	2E	*	L07-2983-08	POWER TRANS	EMM2	
660	2D,2E	*	E35-2870-08	CABLE-FLAT (27P)		

L: Scandinavia K: USA P: Canada R: Mexico C: China I: Malaysia
 Y: PX(Far East,Hawaii) T: England E: Europe G: Germany V: China(Shanghai)
 Y: AAFES(Europe) X: Australia Q: Russia H: Korea M: Other Areas Δ indicates safety critical components.

* New Parts
 Parts without **Parts No.** are not supplied.
 Les articles non mentionnés dans le **Parts No.** ne sont pas fournis.
 Teile ohne **Parts No.** werden nicht geliefert.

②

Ref. No	Address	New Parts	Parts No.	Description	Destination	Remarks
661	1D	*	E35-2868-08	CABLE-FLAT (30P)		
662	2D	*	E35-2869-08	CABLE-FLAT (16P)		
663	2D	*	D40-1721-08	MECHA ASSY(CASSE)		
-	-	*	B60-4894-08	INST MANUAL (GE)	E	
-	-	*	B60-4895-08	INST MANUAL (NE)	E	
-	-	*	B60-4896-08	INST MANUAL (FR)	E	
-	-	*	B60-4897-08	INST MANUAL (IT)	E	
-	-	*	B60-4898-08	INST MANUAL (ES)	E	
-	-	*	B60-4899-08	INST MANUAL (TC)	M	
-	-	*	B60-4900-08	INST MANUAL (EN)	TMM2X	
-	-	*	B60-4901-08	INST MANUAL (AR)	M2	
-	-	*	H10-7761-08	CUSHION SNOW L		
-	-	*	H10-7762-08	CUSHION SNOW R		
-	-	*	H50-3871-08	ITEM CARTON CA	ET	
-	-	*	H50-3872-08	ITEM CARTON CA	M	
-	-	*	H50-3873-08	ITEM CARTON CA	X	
-	-	*	H50-3874-08	ITEM CARTON CA	M2	
TUNER/FUNCTION PCB						
FC1L,1R			CC73FSL1H181J	CHIP C	180PF	J
FC2L,2R			CC73FSL1H221J	CHIP C	220PF	J
FC3L,3R			CE04KW1H4R7M	ELECTRO	4.7UF	50WV
FC4			CE04KW1C470M	ELECTRO	47UF	16WV
FC7			CE04KW1C470M	ELECTRO	47UF	16WV
FC8L,8R			CE04KW1H2R2M	ELECTRO	2.2UF	50WV
FC9L,9R			CE04KW1H2R2M	ELECTRO	2.2UF	50WV
FC10L,10R			CE04KW1H2R2M	ELECTRO	2.2UF	50WV
FC11L,11R			CE04KW1H2R2M	ELECTRO	2.2UF	50WV
FC12L,12R			CQ92FM1H272J	MYLAR	2700PF	J
FC13L,13R			CQ93FMG1H124J	MYLAR	0.12UF	J
FC13L,13R			CQ93FMG1H124J	MYLAR	0.12UF	J
FC14L,14R			CQ93FMG1H124J	MYLAR	0.12UF	J
FC14L,14R			CQ93FMG1H124J	MYLAR	0.12UF	J
FC15			CE04KW1C100M	ELECTRO	10UF	16WV
FC16L,16R			CE04KW1H010M	ELECTRO	1.0UF	50WV
FC17			CE04KW1C470M	ELECTRO	47UF	16WV
FC20L,20R			CC73FSL1H151J	CHIP C	150PF	J
FC21L,21R			CE04KW1H4R7M	ELECTRO	4.7UF	50WV
FC22L,22R			CE04KW1H4R7M	ELECTRO	4.7UF	50WV
FC23L,23R			CC73FSL1H151J	CHIP C	150PF	J
FC24L,24R			CE04KW1H4R7M	ELECTRO	4.7UF	50WV
FC25L,25R			CE04KW1H100M	ELECTRO	10UF	50WV
FC26L,26R			CC73FSL1H101J	CHIP C	100PF	J
FC27			C91-0757-05	CERAMIC	1000PF	K
FC32L,32R			CK73FB1H222J	CHIP C	2200PF	J
FC32R			CK73FB1H222J	CHIP C	2200PF	J
FC36			C91-0757-05	CERAMIC	1000PF	K
TC1			CK73FB1H223K	CHIP C	0.022UF	K
TC2			CC73FSL1H150J	CHIP C	15PF	J
TC3			CK73FB1H103J	CHIP C	0.010UF	J
TC4			CE04KW1C470M	ELECTRO	47UF	16WV
TC5			CK73FB1H223K	CHIP C	0.022UF	K
TC6			CK73FB1H473K	CHIP C	0.047UF	K
TC7			CC73FSL1H180J	CHIP C	18PF	J
TC9			CE04KW1C470M	ELECTRO	47UF	16WV

L: Scandinavia K: USA P: Canada R: Mexico C: China I: Malaysia
 Y: PX(Far East,Hawaii) T: England E: Europe G: Germany V: China(Shanghai)
 Y: AAFES(Europe) X: Australia Q: Russia H: Korea M: Other Areas Δ indicates safety critical components.

PARTS LIST

RXD-DV9

* New Parts

Parts without **Parts No.** are not supplied.Les articles non mentionnés dans le **Parts No.** ne sont pas fournis.Teile ohne **Parts No.** werden nicht geliefert.

③

Ref. No	Add-ress	New Parts	Parts No.	Description	Desti-nation	Re-marks
TC10			CK73FB1H473K	CHIP C	0.047UF	K
TC11			CE04KW1H010M	ELECTRO	1.0UF	50WV
TC12			CE04KW1C100M	ELECTRO	10UF	16WV
TC13			CK73FB1H473K	CHIP C	0.047UF	K
TC14		*	C90-3980-08	CERAMIC	0.047UF	Z
TC15			CK73FB1H473K	CHIP C	0.047UF	K
TC16			CE04KW1H4R7M	ELECTRO	4.7UF	50WV
TC17			CE04KW1H010M	ELECTRO	1.0UF	50WV
TC18			CE04KW1HR47M	ELECTRO	0.47UF	50WV
TC19			CE04KW1H010M	ELECTRO	1.0UF	50WV
TC20			CK73FB1H103J	CHIP C	0.010UF	J
TC21			CE04KW1A101M	ELECTRO	100UF	10WV
TC23			CE04KW1H4R7M	ELECTRO	4.7UF	50WV
TC25			CE04KW1H4R7M	ELECTRO	4.7UF	50WV
TC26,27			CE04KW1C100M	ELECTRO	10UF	16WV
TC28,29			CK73FB1H103J	CHIP C	0.010UF	J
TC30			CE04KW1C100M	ELECTRO	10UF	16WV
TC32			CC73FSL1H681J	CHIP C	680PF	J
TC33			CK73FB1H393K	CHIP C	0.039UF	K
TC34			CE04KW1C220M	ELECTRO	22UF	16WV
TC35			CK73FB1H473K	CHIP C	0.047UF	K
TC36			CE04KW1H3R3M	ELECTRO	3.3UF	50WV
TC38			CE04KW1C330M	ELECTRO	33UF	16WV
TC39			CK45FB1H473K	CERAMIC	0.047UF	K
TC40			C91-0757-05	CERAMIC	1000PF	K
TC41			CC73FSL1H101J	CHIP C	100PF	J
TC41			CC73FSL1H101J	CHIP C	100PF	J
TC42			C91-0757-05	CERAMIC	1000PF	K
TC43			CE04KW1HR47M	ELECTRO	0.47UF	50WV
TC44			CK73FB1H472K	CHIP C	4700PF	K
TC45			CK73FB1H473K	CHIP C	0.047UF	K
TC46			CE04KW1A101M	ELECTRO	100UF	10WV
TC47			CE04KW1C101M	ELECTRO	100UF	16WV
TC48,49			CC73FSL1H221J	CHIP C	220PF	J
TC50,51			CC73FSL1H220J	CHIP C	22PF	J
TC52			CK73FB1H223K	CHIP C	0.022UF	K
TC63,64			CK73FB1H152K	CHIP C	1500PF	K
TC67,68			CK73FB1H682K	CHIP C	6800PF	K
TC99			CK73FB1H223K	CHIP C	0.022UF	K
TC102			CC73FSL1H181J	CHIP C	180PF	J
TLC1,2			C91-0769-05	CERAMIC	0.010UF	K
FJACK1		*	E63-1200-08	JACK-RCA	3722-000381	
LW ANT		*	L31-0656-08	LW ANT COIL	AH27-00011A	T
LW OSC		*	L32-1036-08	LW OSC COIL	AH27-00007A	T
MW ANT		*	L31-0657-08	MW ANT COIL	AH27-00012A	T
MW ANT		*	L31-0658-08	MW ANT COIL	AH27-00013A	EMM2X
MW OSC		*	L32-1037-08	MW OSC COIL	AH27-00008A	
TFL1		*	L72-0636-08	FILTER-CERAMIC	2903-000105	MM2
TFL1		*	L72-0637-08	FILTER-CERAMIC	2903-000119	TEX
TFL2		*	L72-0636-08	FILTER-CERAMIC	2903-000105	
TFL4		*	L72-0635-08	CERAMIC-FILTER	14529-304-610	
TLPF1,2		*	L30-0983-08	TRANS-IF	AH26-00005A	
TL1		*	L90-0373-08	INDUCTOR-AXIAL	2701-000159	

L : Scandinavia

K : USA

P : Canada

R : Mexico

C : China

I : Malaysia

Y : PX(Far East,Hawaii)

T : England

E : Europe

G : Germany

V : China(Shanghai)

Y : AAFES(Europe)

X : Australia

Q : Russia

H : Korea

M : Other Areas

⚠ indicates safety critical components.

* New Parts

Parts without **Parts No.** are not supplied.Les articles non mentionnés dans le **Parts No.** ne sont pas fournis.Teile ohne **Parts No.** werden nicht geliefert.

④

Ref. No	Add-ress	New Parts	Parts No.	Description	Desti-nation	Re-marks
TL2		*	L35-0073-08	TRANS-IF	AH26-10001E	
TL3		*	L30-0984-08	TRANS-DET	AH26-10020A	
TX1		*	L77-2330-08	CRYSTAL 7.2MHZ	2801-000734	
FJW35-37			RK73FB2A000J	CHIP R	0	J 1/10W
FJW44			RK73FB2A000J	CHIP R	0	J 1/10W
FJW48			RK73FB2A000J	CHIP R	0	J 1/10W
FJW50			RK73FB2A000J	CHIP R	0	J 1/10W
FR1L,1R			RK73FB2A103J	CHIP R	10K	J 1/10W
FR2L,2R			RK73FB2A333J	CHIP R	33K	J 1/10W
FR3L,3R			RK73FB2A332J	CHIP R	3.3K	J 1/10W
FR4L			RK73FB2A822J	CHIP R	8.2K	J 1/10W
FR5L,5R			RK73FB2A332J	CHIP R	3.3K	J 1/10W
FR6L,6R			RK73FB2A822J	CHIP R	8.2K	J 1/10W
FR7L,7R			RK73FB2A392J	CHIP R	3.9K	J 1/10W
FR8L,8R			RK73FB2A101J	CHIP R	100	J 1/10W
FR9L,9R			RK73FB2A332J	CHIP R	3.3K	J 1/10W
FR9R			RK73FB2A332J	CHIP R	3.3K	J 1/10W
FR10,11			RK73FB2A473J	CHIP R	47K	J 1/10W
FR14L,14R			RK73FB2A562J	CHIP R	5.6K	J 1/10W
FR17L,17R			RK73FB2A472J	CHIP R	4.7K	J 1/10W
FR18L,18R			RK73FB2A223J	CHIP R	22K	J 1/10W
FR21L,21R			RK73FB2A472J	CHIP R	4.7K	J 1/10W
FR22L			RK73FB2A103J	CHIP R	10K	J 1/10W
FR24L,24R			RK73FB2A103J	CHIP R	10K	J 1/10W
FR25L,25R			RK73FB2A103J	CHIP R	10K	J 1/10W
FR26L,26R			RK73FB2A473J	CHIP R	47K	J 1/10W
FR27L,27R			RK73FB2A103J	CHIP R	10K	J 1/10W
FR30L,30R			RK73FB2A272J	CHIP R	2.7K	J 1/10W
FR31L,31R			RK73FB2A103J	CHIP R	10K	J 1/10W
FR32L,32R			RK73FB2A103J	CHIP R	10K	J 1/10W
FR34			RK73FB2A102J	CHIP R	1.0K	J 1/10W
FR35L,35R			RK73FB2A332J	CHIP R	3.3K	J 1/10W
FR38L,38R			RK73FB2A104J	CHIP R	100K	J 1/10W
FR39L,39R			RK73FB2A104J	CHIP R	100K	J 1/10W
FR40			RK73FB2A103J	CHIP R	10K	J 1/10W
FR40			RK73FB2A103J	CHIP R	10K	J 1/10W
FR41-43			RK73FB2A332J	CHIP R	3.3K	J 1/10W
FR44-46			RK73FB2A472J	CHIP R	4.7K	J 1/10W
FR47			RK73FB2A103J	CHIP R	10K	J 1/10W
FR49			RK73FB2A100J	CHIP R	10	J 1/10W
FR49			RK73FB2A100J	CHIP R	10	J 1/10W
FR50			RK73FB2A472J	CHIP R	4.7K	J 1/10W
TJW43-46			RK73FB2A000J	CHIP R	0	J 1/10W
TJW53-55			RK73FB2A000J	CHIP R	0	J 1/10W
TR2			RK73FB2A103J	CHIP R	10K	J 1/10W
TR5			RK73FB2A101J	CHIP R	100	J 1/10W
TR6			RK73FB2A561J	CHIP R	560	J 1/10W
TR7			RK73FB2A272J	CHIP R	2.7K	J 1/10W
TR8			RK73FB2A391J	CHIP R	390	J 1/10W
TR9			RK73FB2A102J	CHIP R	1.0K	J 1/10W
TR10			RK73FB2A000J	CHIP R	0	J 1/10W
TR11			RK73FB2A221J	CHIP R	220	J 1/10W
TR12			RK73FB2A332J	CHIP R	3.3K	J 1/10W

L : Scandinavia

K : USA

P : Canada

R : Mexico

C : China

I : Malaysia

Y : PX(Far East,Hawaii)

T : England

E : Europe

G : Germany

V : China(Shanghai)

Y : AAFES(Europe)

X : Australia

Q : Russia

H : Korea

M : Other Areas

⚠ indicates safety critical components.

* New Parts
 Parts without **Parts No.** are not supplied.
 Les articles non mentionnés dans le **Parts No.** ne sont pas fournis.
 Teile ohne **Parts No.** werden nicht geliefert.

5

Ref. No	Add-ress	New Parts	Parts No.	Description	Desti-nation	Re-marks
TR15			RK73FB2A223J	CHIP R 22K J 1/10W		
TR17			RK73FB2A562J	CHIP R 5.6K J 1/10W		
TR19			RK73FB2A104J	CHIP R 100K J 1/10W		
TR20			RK73FB2A153J	CHIP R 15K J 1/10W		
TR21,22			RK73FB2A124J	CHIP R 120K J 1/10W		
TR23			RK73FB2A392J	CHIP R 3.9K J 1/10W		
TR24			RK73FB2A101J	CHIP R 100 J 1/10W		
TR25			RK73FB2A560J	CHIP R 56 J 1/10W		
TR27			RK73FB2A682J	CHIP R 6.8K J 1/10W		
TR29			RK73FB2A332J	CHIP R 3.3K J 1/10W		
TR30			RD14BB2H680J	RD 68 J 1/2W		
TR37			RK73FB2A562J	CHIP R 5.6K J 1/10W		
TR38			RK73FB2A103J	CHIP R 10K J 1/10W		
TR40			RK73FB2A223J	CHIP R 22K J 1/10W	T	
TR42			RK73FB2A472J	CHIP R 4.7K J 1/10W		
TR44			RD14BB2H181J	RD 180 J 1/2W		
TR45			RK73FB2A104J	CHIP R 100K J 1/10W		
TR47			RK73FB2A104J	CHIP R 100K J 1/10W		
TR49			RK73FB2A104J	CHIP R 100K J 1/10W		
TR51			RK73FB2A472J	CHIP R 4.7K J 1/10W		
TR53,54			RK73FB2A103J	CHIP R 10K J 1/10W		
TR55			RK73FB2A102J	CHIP R 1.0K J 1/10W		
TR56			RK73FB2A103J	CHIP R 10K J 1/10W		
TR63			RK73FB2A822J	CHIP R 8.2K J 1/10W		
TR64			RK73FB2A222J	CHIP R 2.2K J 1/10W		
TR101			RK73FB2A000J	CHIP R 0 J 1/10W		
TSR1		*	R39-0033-08	VR-SEMI 20K 2103-000290		
TJ1		*	E70-0140-08	ANT TERMINAL(FM) 3716-001156		
TJ2		*	E40-8795-08	ANT AM(CONNE HEAD) 3711-000814		
FD1 ,2			1N4148	DIODE-SWITCHING 0401-000101		
FIC1			TDA7440D	IC-VOLUME/TONE		
FIC2,3			BA4560	IC(OP AMP X2) 1201-000163		
FIC4			NJU4066BM	IC-ANALOG SWITC		
FIC5			BA4560	IC(OP AMP X2) 1201-000163		
FQ1L		*	KSD471-YTA	TR-SMALL SIGNAL 0501-000407		
FQ1R		*	KSD471-YTA	TR-SMALL SIGNAL 0501-000407		
FQ2 ,3		*	KSR2003TA	TR-DIGITAL 0504-001003		
FQ4 ,5		*	KSR1003TA	TR-DIGITAL 0504-000118		
FQ8L		*	KSC945-YTA	TR-SMALL SIGNAL 0501-000398		
FQ8R		*	KSC945-YTA	TR-SMALL SIGNAL 0501-000398		
FQ9		*	KSR2003TA	TR-DIGITAL 0504-001003		
FQ10		*	KSC945-YTA	TR-SMALL SIGNAL 0501-000398		
FQ11,12		*	KSR2003TA	TR-DIGITAL 0504-001003		
FQ13-16		*	KSC945-YTA	TR-SMALL SIGNAL 0501-000398		
FZD1-3			UZ9.1BM	DIODE-ZENER 0403-000372		
HIC1			LC72131D	IC		
TD1 -4			1N4148	DIODE-SWITCHING 0401-000101		
TD7 -10			1N4148	DIODE-SWITCHING 0401-000101		
TIC1			LA1837	IC(FM/AM SYSTEM IC)		
TQA1		*	KSC945-YTA	TR-SMALL SIGNAL 0501-000398		
TQ1		*	KSC945-YTA	TR-SMALL SIGNAL 0501-000398		
TQ2 ,3		*	KSC838-OTA	TR-SMALL SIGNAL 0501-000392		
TQ4		*	KSA708-YTA	TR-SMALL SIGNAL 0501-000294		
TQ5 -7		*	KSC945-YTA	TR-SMALL SIGNAL 0501-000398	T	

L : Scandinavia K : USA P : Canada R : Mexico C : China I : Malaysia
 Y : PX(Far East,Hawaii) T : England E : Europe G : Germany V : China(Shanghai)
 Y : AAFES(Europe) X : Australia Q : Russia H : Korea M : Other Areas Δ indicates safety critical components.

* New Parts
 Parts without **Parts No.** are not supplied.
 Les articles non mentionnés dans le **Parts No.** ne sont pas fournis.
 Teile ohne **Parts No.** werden nicht geliefert.

6

Ref. No	Add-ress	New Parts	Parts No.	Description	Desti-nation	Re-marks
TZD1		*	UZ7.5BC	DIODE-ZENER 0403-000367		
TZD2			MTZJ5.1B	DIODE-ZENER 0403-000393		
VVC1			KV1260	DIODE-VARACTOR 0405-000137		
FM PACK		*	W02-2807-08	FRONT END AH40-10025S	TEX	
FM PACK		*	W02-2808-08	FRONT END AH40-10025N	MM2	
MAIN PCB						
RR13			RK73FB2A271J	CHIP R 270 J 1/10W		
AC1L,1R			CC73FSL1H821J	CHIP C 820PF J		
AC2L,2R			CE04KW1H010M	ELECTRO 1.0UF 50WV		
AC3			CE04KW1C221M	ELECTRO 220UF 16WV		
AC3L,3R			CC45FSL1H050C	CERAMIC 5.0PF C		
AC4			CE04KW1C470M	ELECTRO 47UF 16WV		
AC4L,4R			CE04KW1C101M	ELECTRO 100UF 16WV		
AC6L,6R			CF92FV1H104J	MF-C 0.10UF J		
AC7 ,8			CE04KW2A101M	ELECTRO 100UF 100WV		
AC9			CE04KW2A100M	ELECTRO 10UF 100WV		
AC10-12			CE04KW1H100M	ELECTRO 10UF 50WV		
AC51			CE04KW1H010M	ELECTRO 1.0UF 50WV		
AC52			CE04KW1E100M	ELECTRO 10UF 25WV		
AC54			CE04KW1E471M	ELECTRO 470UF 25WV		
AC55,56			CC73FCH1H080D	CHIP C 8.0PF D		
CC1			CK73FB1H473K	CHIP C 0.047UF K		
CC2 -5			CC73FSL1H471J	CHIP C 470PF J		
EC1			CE04KW1H010M	ELECTRO 1.0UF 50WV	MM2	
EC2			CE04KW1H2R2M	ELECTRO 2.2UF 50WV	MM2	
EC3			CK73FB1H103K	CHIP C 0.010UF K	MM2	
EC4			CK73FB1H332K	CHIP C 3300PF K	MM2	
EC5			CE04KW1H0R1M	ELECTRO 0.1UF 50WV	MM2	
EC6			CE04KW1C220M	ELECTRO 22UF 16WV	MM2	
EC7			CK73FB1H103K	CHIP C 0.010UF K	MM2	
EC8 ,9			CK73FB1H102K	CHIP C 1000PF K	MM2	
EC11			CK73FB1H472K	CHIP C 4700PF K	MM2	
EC12			CK73FB1H103K	CHIP C 0.010UF K	MM2	
EC13			CK73FB1H222K	CHIP C 2200PF K	MM2	
EMC1			C91-0757-05	CERAMIC 1000PF K		
EMC2			CK73FB1H103K	CHIP C 0.010UF K		
HC1 ,2			CK45FB1H222K	CERAMIC 2200PF K		
HC3			CQ92FM1H152J	MYLAR 1500PF J		
LC1L,1R			CE04KW1H2R2M	ELECTRO 2.2UF 50WV		
LC2L,2R			CE04KW1H2R2M	ELECTRO 2.2UF 50WV		
LC3L,3R			CE04KW1H2R2M	ELECTRO 2.2UF 50WV		
LC7			CE04KW1E100M	ELECTRO 10UF 25WV		
LC8L,8R			CE04KW1H100M	ELECTRO 10UF 50WV		
LC9L,9R			CC73FSL1H391M	CHIP C 390PF J		
LC11L,11R			CE04KW1H4R7M	ELECTRO 4.7UF 50WV		
LC13			CE04KW1C101M	ELECTRO 100UF 16WV		
LC14			CE04KW1H2R2M	ELECTRO 2.2UF 50WV		
LC16			CE04KW1H2R2M	ELECTRO 2.2UF 50WV		
LC21			CE04KW1E100M	ELECTRO 10UF 25WV		
LC22C			CE04KW1H100M	ELECTRO 10UF 50WV		
LC22S			CE04KW1H100M	ELECTRO 10UF 50WV		
LC23C			CC73FSL1H391J	CHIP C 390PF J		

L : Scandinavia K : USA P : Canada R : Mexico C : China I : Malaysia
 Y : PX(Far East,Hawaii) T : England E : Europe G : Germany V : China(Shanghai)
 Y : AAFES(Europe) X : Australia Q : Russia H : Korea M : Other Areas Δ indicates safety critical components.

PARTS LIST

RXD-DV9

* New Parts

Parts without **Parts No.** are not supplied.Les articles non mentionnés dans le **Parts No.** ne sont pas fournis.Teile ohne **Parts No.** werden nicht geliefert.

7

Ref. No	Add-ress	New Parts	Parts No.	Description	Desti-nation	Re-marks
LC23S			CC73FSL1H391J	CHIP C	390PF	J
LC24C			CE04KW1H4R7M	ELECTRO	4.7UF	50WV
LC24S			CE04KW1H4R7M	ELECTRO	4.7UF	50WV
LC26			CE04KW1C101M	ELECTRO	100UF	16WV
LC27C			CC73FSL1H821J	CHIP C	820PF	J
LC27L,27R			CC73FSL1H821J	CHIP C	820PF	J
LC28L,28R			CE04KW1E100M	ELECTRO	10UF	25WV
LC31,32			CE04KW1C221M	ELECTRO	220UF	16WV
LC33			CE04KW1C100M	ELECTRO	10UF	16WV
LC34			CK73FB1H562K	CHIP C	5600PF	K
LC35			CE04KW1C470M	ELECTRO	47UF	16WV
LC35E			CE04HW1H100M	NP-ELEC	10UF	50WV
LC36L,36R			CE04KW1E100M	ELECTRO	10UF	25WV
LC38			CE04KW1H2R2M	ELECTRO	2.2UF	50WV
LC42			CK73FB1H104K	CHIP C	0.10UF	K
LC44			CE04KW1C470M	ELECTRO	47UF	16WV
LC45-47			CC73FSL1H101J	CHIP C	100PF	J
LC48			CK73FB1H105Z	CHIP C	1.0UF	Z
LC49			CK73FB1H472K	CHIP C	4700PF	K
LC50			CK73FB1H102K	CHIP C	1000PF	K
LC51			CF92FV1H104J	MF-C	0.10UF	J
LC52,53			CQ92FM1H224J	MYLAR	0.22UF	J
LC54			CF92FV1H104J	MF-C	0.10UF	J
LC55			CK73FB1H472K	CHIP C	4700PF	K
LC56			CK73FB1H102K	CHIP C	1000PF	K
LC57,58			CE04KW1H010M	ELECTRO	1.0UF	50WV
LC59			CK73FB1H562K	CHIP C	5600PF	K
LC60			CK73FB1H473K	CHIP C	0.047UF	K
LC61			CK73FB1A684K	CHIP C	0.68UF	K
LC62,63			CK73FB1H224K	CHIP C	0.22UF	K
LC64,65			CE04KW1H4R7M	ELECTRO	4.7UF	50WV
LC66,67			CK73FB1H224K	CHIP C	0.22UF	K
LC68			CK73FB1H104K	CHIP C	0.10UF	K
LC69			CK73FB1H473K	CHIP C	0.047UF	K
LC70			CE04KW1H2R2M	ELECTRO	2.2UF	50WV
LC71			CK73FB1H473K	CHIP C	0.047UF	K
LC72,73			CK73FB1H104K	CHIP C	0.10UF	K
LC74,75			CK73FB1H223K	CHIP C	0.022UF	K
LC76			CK73FB1H104K	CHIP C	0.10UF	K
LC77			CC73FSL1H681J	CHIP C	680PF	J
LC78			CK73FB1H104K	CHIP C	0.10UF	K
LC79			CC73FSL1H681J	CHIP C	680PF	J
LC80-82			CK73FB1H104K	CHIP C	0.10UF	K
LC84L,84R			CC73FSL1H221J	CHIP C	220PF	J
LC85L,85R			CE04KW1H4R7M	ELECTRO	4.7UF	50WV
LC86			CQ92FM1H183J	MYLAR	0.018UF	J
LC87			CF92FV1H104J	MF-C	0.10UF	J
LC91			CE04KW1C470M	ELECTRO	47UF	16WV
LC92C			CE04KW1H2R2M	ELECTRO	2.2UF	50WV
LC92L,92R			CE04KW1H2R2M	ELECTRO	2.2UF	50WV
LC94C			CE04KW1E101M	ELECTRO	100UF	25WV
LC94L,94R			CE04KW1E101M	ELECTRO	100UF	25WV
LC95C			C91-0715-05	CERAMIC	3.3PF	K
LC95L,95R			C91-0715-05	CERAMIC	3.3PF	K
LC96C			CF92FV1H104J	MF-C	0.10UF	J

L : Scandinavia K : USA P : Canada R : Mexico C : China I : Malaysia

Y : PX(Far East,Hawaii) T : England E : Europe G : Germany V : China(Shanghai)

Y : AAFES(Europe) X : Australia Q : Russia H : Korea M : Other Areas Δ indicates safety critical components.

* New Parts

Parts without **Parts No.** are not supplied.Les articles non mentionnés dans le **Parts No.** ne sont pas fournis.Teile ohne **Parts No.** werden nicht geliefert.

8

Ref. No	Add-ress	New Parts	Parts No.	Description	Desti-nation	Re-marks
LC96L,96R			CF92FV1H104J	MF-C	0.10UF	J
LC97,98			CE04KW1H100M	ELECTRO	10UF	50WV
LC99			CE04KW1H101M	ELECTRO	100UF	50WV
LC100			CE04KW1H101M	ELECTRO	100UF	50WV
LC102			CE04KW1C220M	ELECTRO	22UF	16WV
LC103,104			CE04KW1H4R7M	ELECTRO	4.7UF	50WV
LC105			CK73FB1H473K	CHIP C	0.047UF	K
LC106			CE04KW1H4R7M	ELECTRO	4.7UF	50WV
LC107,108			CC73FSL1H331J	CHIP C	330PF	J
LC109			C91-0751-05	CERAMIC	330PF	K
LC110-114			CQ92FM1H472J	MYLAR	4700PF	J
LC121,122			CC73FSL1H101J	CHIP C	100PF	J
LC123			CE04KW1H010M	ELECTRO	1.0UF	50WV
MC1			CE04KW1H010M	ELECTRO	1.0UF	50WV
MC2			CE04KW1C470M	ELECTRO	47UF	16WV
MC3			CE04KW1E100M	ELECTRO	10UF	25WV
MC4			CE04KW1H3R3M	ELECTRO	3.3UF	50WV
MC5			CE04KW1A470M	ELECTRO	47UF	10WV
PC1L,1R			CQ92FM1H222J	MYLAR	2200PF	J
PC2C			CQ92FM1H222J	MYLAR	2200PF	J
PC2L,2R			CQ92FM1H222J	MYLAR	2200PF	J
PC3			CE04KW1C471M	ELECTRO	470UF	16WV
PC18			CE04KW1C470M	ELECTRO	47UF	16WV
PC19			CE04KW1C471M	ELECTRO	470UF	16WV
RC1			CE04KW1H472M	ELECTRO	4700UF	50WV
RC2			CE04KW1V102M	ELECTRO	1000UF	35WV
RC3,4		*	C90-3986-08	ELECTRO	3300UF	63WV
RC5			CE04KW1H472M	ELECTRO	4700UF	50WV
RC6			CE04KW1V472M	ELECTRO	4700UF	35WV
RC7,8			CE04KW1H4R7M	ELECTRO	4.7UF	50WV
RC9			CE04KW1C470M	ELECTRO	47UF	16WV
RC10			CF92FV1H104J	MF-C	0.10UF	J
RC11-13			C91-0647-05	CERAMIC	0.010UF	P
RC14,15			CF92FV1H104J	MF-C	0.10UF	J
RC16			CE04KW1H470M	ELECTRO	47UF	50WV
RC17			CE04KW2A101M	ELECTRO		
RC18			CE04KW1H010M	ELECTRO	1.0UF	50WV
RC19			CE04KW1H2R2M	ELECTRO	2.2UF	50WV
RC20			CQ93FMG1H182J	MYLAR	1800PF	J
RC21			CQ93FMG1H182J	MYLAR	1800PF	J
RC22			CQ93FMG1H182J	MYLAR	1800PF	J
RC23			CQ93FMG1H182J	MYLAR	1800PF	J
RC37			CE04KW1V222M	ELECTRO	2200UF	35WV
H-PHONE		*	E11-0931-08	JACK-PHONE	3722-000363	
LJ2		*	E63-1199-08	JACK-RCA	3722-001011	
MJACK1		*	E11-0931-08	JACK-MIC	3722-000363	
MW1		*	E40-8784-08	CONNECTOR-FPC	3708-000258	MM2
SPK1		*	E70-0138-08	TERMINAL-BLOCK	3716-000209	
SPK2		*	E70-0139-08	TERMINAL-BLOCK	3716-001131	
LFU10		*	F50-0179-08	FUSE(80mA 250V)	3601-000319	
AL1L,1R		*	L39-1608-08	COIL-SPRING	AH27-90001A	
LL1-3		*	L39-1608-08	COIL-SPRING	AH27-90001A	
LPT1		*	L07-2981-08	TRANS-POWER	AH26-80144U	

L : Scandinavia K : USA P : Canada R : Mexico C : China I : Malaysia

Y : PX(Far East,Hawaii) T : England E : Europe G : Germany V : China(Shanghai)

Y : AAFES(Europe) X : Australia Q : Russia H : Korea M : Other Areas Δ indicates safety critical components.

* New Parts
 Parts without **Parts No.** are not supplied.
 Les articles non mentionnés dans le **Parts No.** ne sont pas fournis.
 Teile ohne **Parts No.** werden nicht geliefert.

9

Ref. No	Add-ress	New Parts	Parts No.	Description	Desti-nation	Re-marks
AR1			RK73FB2A333J	CHIP R 33K	J	1/10W
AR1L,1R			RK73FB2A102J	CHIP R 1.0K	J	1/10W
AR2L,2R			RK73FB2A473J	CHIP R 47K	J	1/10W
AR3L,3R			RK73FB2A102J	CHIP R 1.0K	J	1/10W
AR4L,4R			RK73FB2A102J	CHIP R 1.0K	J	1/10W
AR5L,5R			RK73FB2A102J	CHIP R 1.0K	J	1/10W
AR6			RK73FB2A333J	CHIP R 33K	J	1/10W
AR6L,6R			RK73FB2A563J	CHIP R 56K	J	1/10W
AR7 -9			RK73FB2A473J	CHIP R 47K	J	1/10W
AR8L,8R			RK73FB2A122J	CHIP R 1.2K	J	1/10W
AR10L,10R			RS14GB3A100J	FL-PROOF RS 10	J	1W
AR11,12			RD14BB2H332J	RD 3.3K	J	1/2W
AR13			RS14GB3A101J	FL-PROOF RS 100	J	1W
AR15			RS14GB3A101J	FL-PROOF RS 100	J	1W
AR16L,6R			RS14GB3D471J	FL-PROOF RS 470	J	2W
CR1,2			RK73FB2A222J	CHIP R 2.2K	J	1/10W
CR3			RK73FB2A152J	CHIP R 1.5K	J	1/10W
CR4,5			RK73FB2A222J	CHIP R 2.2K	J	1/10W
CR18			RK73FB2A103J	CHIP R 10K	J	1/10W
CR21			RK73FB2A102J	CHIP R 1.0K	J	1/10W
ER3,4			RK73FB2A223J	CHIP R 22K	J	1/10W
ER6			RK73FB2A103J	CHIP R 10K	J	1/10W
ER7			RK73FB2A124J	CHIP R 120K	J	1/10W
ER8			RK73FB2A273J	CHIP R 27K	J	1/10W
ER9			RK73FB2A822J	CHIP R 8.2K	J	1/10W
ER10			RK73FB2A223J	CHIP R 22K	J	1/10W
ER12			RK73FB2A153J	CHIP R 15K	J	1/10W
ER13			RK73FB2A472J	CHIP R 4.7K	J	1/10W
ER14			RK73FB2A103J	CHIP R 10K	J	1/10W
ER16			RK73FB2A473J	CHIP R 47K	J	1/10W
JW88,89			RK73EB2A000J	CHIP R 0	J	1/10W
JW161,162			RK73FB2A000J	CHIP R 0	J	1/10W
JW164-166			RK73FB2A000J	CHIP R 0	J	1/10W
JW168-170			RK73FB2A000J	CHIP R 0	J	1/10W
JW170,171			RK73FB2A000J	CHIP R 0	J	1/10W
JW174-186			RK73FB2A000J	CHIP R 0	J	1/10W
JW188			RK73FB2A000J	CHIP R 0	J	1/10W
JW190-195			RK73FB2A000J	CHIP R 0	J	1/10W
JW208			RK73EB2A000J	CHIP R 0	J	1/10W
JW211			RK73EB2A000J	CHIP R 0	J	1/10W
JW213-217			RK73FB2A000J	CHIP R 0	J	1/10W
JW220			RK73FB2A000J	CHIP R 0	J	1/10W
JW301			RK73FB2A000J	CHIP R 0	J	1/10W
JW305			RK73EB2A000J	CHIP R 0	J	1/10W
JW901			RK73FB2A000J	CHIP R 0	J	1/10W
LR2L,2R			RK73FB2A221J	CHIP R 220	J	1/10W
LR3L,3R			RK73FB2A392J	CHIP R 3.9K	J	1/10W
LR4L,4R			RK73FB2A122J	CHIP R 1.2K	J	1/10W
LR7C			RK73FB2A221J	CHIP R 220	J	1/10W
LR7S			RK73FB2A221J	CHIP R 220	J	1/10W
LR8C			RK73FB2A392J	CHIP R 3.9K	J	1/10W
LR8S			RK73FB2A103J	CHIP R 10K	J	1/10W
LR9C			RK73FB2A122J	CHIP R 1.2K	J	1/10W
LR9S			RK73FB2A102J	CHIP R 1.0K	J	1/10W
LR13L,13R			RK73FB2A473J	CHIP R 47K	J	1/10W

L : Scandinavia K : USA P : Canada R : Mexico C : China I : Malaysia
 Y : PX(Far East,Hawaii) T : England E : Europe G : Germany V : China(Shanghai)
 Y : AAFES(Europe) X : Australia Q : Russia H : Korea M : Other Areas Δ indicates safety critical components.

* New Parts
 Parts without **Parts No.** are not supplied.
 Les articles non mentionnés dans le **Parts No.** ne sont pas fournis.
 Teile ohne **Parts No.** werden nicht geliefert.

10

Ref. No	Add-ress	New Parts	Parts No.	Description	Desti-nation	Re-marks
LR14			RD14BB2H680J	RD 68	J	1/2W
LR15			RK73FB2A104J	CHIP R 100K	J	1/10W
LR22			RK73FB2A102J	CHIP R 1.0K	J	1/10W
LR25			RK73FB2A334J	CHIP R 330K	J	1/10W
LR26			RK73FB2A153J	CHIP R 15K	J	1/10W
LR27			RK73FB2A473J	CHIP R 47K	J	1/10W
LR28			RK73FB2A752J	CHIP R 7.5K	J	1/10W
LR29			RK73FB2A153J	CHIP R 15K	J	1/10W
LR31			RK73FB2A473J	CHIP R 47K	J	1/10W
LR32			RK73FB2A752J	CHIP R 7.5K	J	1/10W
LR35,36			RK73FB2A473J	CHIP R 47K	J	1/10W
LR37L,37R			RK73FB2A682J	CHIP R 6.8K	J	1/10W
LR38L,38R			RK73FB2A103J	CHIP R 10K	J	1/10W
LR39L,39R			RK73FB2A682J	CHIP R 6.8K	J	1/10W
LR41			RK73FB2A823J	CHIP R 82K	J	1/10W
LR42-44			RK73FB2A273J	CHIP R 27K	J	1/10W
LR45C			RK73FB2A104J	CHIP R 100K	J	1/10W
LR45L,45R			RK73FB2A104J	CHIP R 100K	J	1/10W
LR46C			RK73FB2A102J	CHIP R 1.0K	J	1/10W
LR46L,46R			RK73FB2A102J	CHIP R 1.0K	J	1/10W
LR47C			RK73FB2A471J	CHIP R 470	J	1/10W
LR47L,47R			RK73FB2A471J	CHIP R 470	J	1/10W
LR48C			RK73FB2A102J	CHIP R 1.0K	J	1/10W
LR48L,48R			RK73FB2A102J	CHIP R 1.0K	J	1/10W
LR49C			RK73FB2A563J	CHIP R 56K	J	1/10W
LR49L,49R			RK73FB2A563J	CHIP R 56K	J	1/10W
LR51C			RK73FB2A182J	CHIP R 1.8K	J	1/10W
LR51L,51R			RK73FB2A182J	CHIP R 1.8K	J	1/10W
LR54			RS14GB3A101J	FL-PROOF RS 100	J	1W
LR56			RS14GB3A101J	FL-PROOF RS 100	J	1W
LR57			RK73FB2A823J	CHIP R 82K	J	1/10W
LR61L,61R			RK73FB2A473J	CHIP R 47K	J	1/10W
LR62C			RK73FB2A473J	CHIP R 47K	J	1/10W
LR62S			RK73FB2A473J	CHIP R 47K	J	1/10W
LR71			RK73FB2A101J	CHIP R 100	J	1/10W
LR72			RK73FB2A331J	CHIP R 330	J	1/10W
LR73,74			RK73FB2A103J	CHIP R 10K	J	1/10W
LR75			RK73FB2A562J	CHIP R 5.6K	J	1/10W
LR77			RK73FB2A103J	CHIP R 10K	J	1/10W
LR78			RK73FB2A104J	CHIP R 100K	J	1/10W
LR79,80			RK73FB2A392J	CHIP R 3.9K	J	1/10W
LR81			RK73FB2A103J	CHIP R 10K	J	1/10W
LR82			RK73FB2A822J	CHIP R 8.2K	J	1/10W
LR83			RK73FB2A104J	CHIP R 100K	J	1/10W
LR84			RS14GB3A470J	FL-PROOF RS 47	J	1W
LR85			RK73FB2A681J	CHIP R 680	J	1/10W
LR85L,85R			RK73FB2A823J	CHIP R 82K	J	1/10W
LR86			RK73FB2A223J	CHIP R 22K	J	1/10W
LR86C			RK73FB2A471J	CHIP R 470	J	1/10W
LR86L,86R			RK73FB2A471J	CHIP R 470	J	1/10W
LR87,88			RK73FB2A103J	CHIP R 10K	J	1/10W
LR89			RK73FB2A223J	CHIP R 22K	J	1/10W
LR90,91			RK73FB2A471J	CHIP R 470	J	1/10W
LR92R			RK73FB2A000J	CHIP R 0	J	1/10W
LR93			RK73FB2A102J	CHIP R 1.0K	J	1/10W

L : Scandinavia K : USA P : Canada R : Mexico C : China I : Malaysia
 Y : PX(Far East,Hawaii) T : England E : Europe G : Germany V : China(Shanghai)
 Y : AAFES(Europe) X : Australia Q : Russia H : Korea M : Other Areas Δ indicates safety critical components.

PARTS LIST

RXD-DV9

* New Parts
Parts without **Parts No.** are not supplied.
Les articles non mentionnés dans le **Parts No.** ne sont pas fournis.
Teile ohne **Parts No.** werden nicht geliefert.

11

Ref. No	Add-ress	New Parts	Parts No.	Description	Desti-nation	Re-marks
LR94			RK73FB2A104J	CHIP R		
LR97L,97R			RK73FB2A000J	CHIP R		
LR98L,98R			RK73FB2A104J	CHIP R		
LR99			RK73FB2A000J	CHIP R		
LR100			RK73FB2A104J	CHIP R		
LR101			RK73FB2A222J	CHIP R		
LR102			RK73FB2A4R7J	CHIP R		
LR104			RS14GB3A680J	FL-PROOF RS		
LR109			RK73FB2A104J	CHIP R		
LR110			RK73FB2A2R2J	CHIP R		
LR107,108			RK73FB2A100J	CHIP R		
LR278			RK73FB2A2R2J	CHIP R		
MR1			RK73FB2A471J	CHIP R	MM2	
MR3			RK73FB2A271J	CHIP R	MM2	
MR4			RK73FB2A105J	CHIP R	MM2	
MR7			RK73FB2A472J	CHIP R	MM2	
MR10			RK73FB2A222J	CHIP R	MM2	
PQ9L,9R			RK73FB2A102J	CHIP R		
PR1L,1R		*	R92-1999-08	R-METAL PLATE		
PR2L,2R			RK73FB2A222J	CHIP R		
PR3L,3R			RK73FB2A821J	CHIP R		
PR4L,4R			RK73FB2A102J	CHIP R		
PR5L,5R			RK73FB2A563J	CHIP R		
PR6C		*	R92-1999-08	R-METAL PLATE		
PR6L,6R		*	R92-1999-08	R-METAL PLATE		
PR7C			RK73FB2A222J	CHIP R		
PR7L,7R			RK73FB2A222J	CHIP R		
PR8C			RK73FB2A122J	CHIP R		
PR8L,8R			RK73FB2A122J	CHIP R		
PR9C			RK73FB2A102J	CHIP R		
PR10C			RK73FB2A563J	CHIP R		
PR10L,10R			RK73FB2A563J	CHIP R		
PR25			RK73FB2A222J	CHIP R	MM2	
PR27			RK73FB2A104J	CHIP R		
PR29			RK73FB2A561J	CHIP R		
PR30			RK73FB2A103J	CHIP R		
RR1			RS14GB3A102J	FL-PROOF RS		
RR2			RS14GB3A102J	FL-PROOF RS		
RR3			RD14BB2H101J	RD		
RR9			RK73FB2A224J	CHIP R		
RR10			RK73FB2A562J	CHIP R		
RR11,12			RK73FB2A103J	CHIP R		
RR13			RK73FB2A221J	CHIP R		
RR14			RK73FB2A154J	CHIP R		
RR15			RK73FB2A223J	CHIP R		
RR16			RK73FB2A333J	CHIP R		
RR17			RK73FB2A103J	CHIP R		
RR18			RK73FB2A472J	CHIP R		
RR19			RK73FB2A223J	CHIP R		
RR20			RK73FB2A822J	CHIP R		
RR21			RK73FB2A472J	CHIP R		
RR23			RK73FB2A393J	CHIP R		
MVR1		*	R31-0108-08		MM2	
LRE1		*	S76-0121-08	RELAY-MINIATURE		
LVS1		*	S62-0100-08	SWITCH-SLIDE		
PRE1-3		*	S76-0120-08	RELAY-POWER		

L : Scandinavia K : USA P : Canada R : Mexico C : China I : Malaysia
Y : PX(Far East,Hawaii) T : England E : Europe G : Germany V : China(Shanghai)
Y : AAFES(Europe) X : Australia Q : Russia H : Korea M : Other Areas Δ indicates safety critical components .

* New Parts
Parts without **Parts No.** are not supplied.
Les articles non mentionnés dans le **Parts No.** ne sont pas fournis.
Teile ohne **Parts No.** werden nicht geliefert.

12

Ref. No	Add-ress	New Parts	Parts No.	Description	Desti-nation	Re-marks
AD7,8			1N4148	DIODE-SWITCHING		
AD51-56			1N4002	DIODE-RECTIFIER		
AD57			1N4148	DIODE-SWITCHING		
AD58			1N4002	DIODE-RECTIFIER		
AIC1		*	STK499-220E	IC-POWER AMP		
AQ1L,1R		*	KSD471-YTA	TR-SMALL SIGNAL		
AQ2L,2R		*	KSD471-YTA	TR-SMALL SIGNAL		
AQ10		*	KSD471-YTA	TR-SMALL SIGNAL		
AQ51		*	KA7805-AB	IC-POSI.FIXED R		
AQ52			KSC1008	TR-SMALL SIGNAL		
AZD1,2		*	UZ5.2BM	DIODE-ZENER		
AZD51			UZ5.1B	DIODE-ZENER		
C1C1		*	M65855FP	IC-I/O CONTROLL		
E1C1			TA2011S		MM2	
EQ1,2		*	KSR1003TA	TR-DIGITAL		
LD1-6			1N4148	DIODE-SWITCHING		
LIC1,2			TDA7440D	IC-VOLUME/TONE		
LIC3		*	STK402-240	IC-POWER AMP		
LIC4		*	M62463FP	IC-AUDIO PROCES		
LIC5			NJU4066BM	IC-ANALOG SWITC		
LIC9		*	KA78L05Z-TA	IC-POSI.ADJUST		
LIC10-13			BA4560	IC(OP AMP X2)		
LQ5,6		*	KSD471-YTA	TR-SMALL SIGNAL		
LQ8		*	KSR1003TA	TR-DIGITAL		
LQ9		*	KSR2003TA	TR-DIGITAL		
LQ11		*	KSR2003TA	TR-DIGITAL		
LQ12		*	KSD471-YTA	TR-SMALL SIGNAL		
LQ13,14			KSA733	TR-SMALL SIGNAL		
LQ15,16			KSC1008	TR-SMALL SIGNAL		
LQ17			KSA928A	TR-SMALL SIGNAL		
LQ18-20		*	KSD471-YTA	TR-SMALL SIGNAL		
LQ21-23		*	KSR2003TA	TR-DIGITAL		
LQ24		*	KSD471-YTA	TR-SMALL SIGNAL		
LQ25		*	KSR2003TA	TR-DIGITAL		
LQ26,27		*	KSR1003TA	TR-DIGITAL		
LQ28			KSA928A	TR-SMALL SIGNAL		
LQ30,31		*	KSC945-YTA	TR-SMALL SIGNAL		
LZD2			UZ9.1BM	DIODE-ZENER		
LZD4-6			UZ9.1BM	DIODE-ZENER		
MD1-4			1N4148	DIODE-SWITCHING		
MIC1			TA2011S		MM2	
PD1-3		*	1N4002	DIODE-RECTIFIER		
PQ1L,1R		*	KSC1009-YTA	TR-SMALL SIGNAL		
PQ2C		*	KSC1009-YTA	TR-SMALL SIGNAL		
PQ2L,2R		*	KSC1009-YTA	TR-SMALL SIGNAL		
PQ6			KSC1008	TR-SMALL SIGNAL		
PQ8		*	KSD471-YTA	TR-SMALL SIGNAL		
PQ10			KSC1008	TR-SMALL SIGNAL		
PQ11		*	KSC945-YTA	TR-SMALL SIGNAL		
PZD7			UZ5.6BM	DIODE-ZENER		
RBD1		*	GBU806	BRIDGE-DIODE		
RBD2		*	GBU606	BRIDGE-DIODE		
RBD3		*	PBL403	DIODE-BRIDGE		
RD1			1N4002	DIODE-RECTIFIER		
RD2-6			1N4148	DIODE-SWITCHING		

L : Scandinavia K : USA P : Canada R : Mexico C : China I : Malaysia
Y : PX(Far East,Hawaii) T : England E : Europe G : Germany V : China(Shanghai)
Y : AAFES(Europe) X : Australia Q : Russia H : Korea M : Other Areas Δ indicates safety critical components .

* New Parts
 Parts without **Parts No.** are not supplied.
 Les articles non mentionnés dans le **Parts No.** ne sont pas fournis.
 Teile ohne **Parts No.** werden nicht geliefert.

13

Ref. No	Add-ress	New Parts	Parts No.	Description	Desti-nation	Re-marks
RD7			1N4002	DIODE-RECTIFIER 0402-000127		
RIC1			KIA7812P1	IC-VOLT REGU		
RIC2		*	KA7912-AB	IC-NEGA.FIXED R 1203-000110		
RIC3			KIA7812P1	IC-VOLT REGU		
RIC4		*	KA7805-AB	IC-POSI.FIXED R 1203-000276		
RQ1 ,2			KSA733	TR-SMALL SIGNAL		
RQ3			KSD882	TR-POWER 0502-000303		
RQ4		*	KSR2003TA	TR-DIGITAL 0504-001003		
RQ5 ,6		*	KSC945-YTA	TR-SMALL SIGNAL 0501-000398		
RQ7			KSA733	TR-SMALL SIGNAL		
RZD1,2		*	TZP16A	DIODE-ZENER 0403-000564		
FRONT PCB						
UD1			1SS53	DIODE	M	
UD2			1SS53	DIODE	MM2TE	
UD3			1SS53	DIODE	X	
UD4			1SS53	DIODE	MM2TX	
UD5			1SS53	DIODE	MM2X	
UD9			1SS53	DIODE	TE	
UD10			1SS53	DIODE		
ULD1		*	B30-2598-08	LED 0601-001051		
ULD2		*	B30-2600-08	LED 0601-001490		
ULD3-5		*	B30-2599-08	LED 0601-001238		
UC1			CE04KW1H010M	ELECTRO 1.0UF 50WV		
UC2			CE04KW1H010M	ELECTRO 1.0UF 50WV		
UC3			CE04KW1H100M	ELECTRO 10UF 50WV		
UC4			CK45FB1H473Z	CERAMIC 0.047UF Z		
UC5			CE04KW1H100M	ELECTRO 10UF 50WV		
UC6		*	C90-3980-08	CERAMIC 0.047UF Z		
UC7			CE04KW1HR22M	ELECTRO 0.22UF 50WV		
UC8 ,9			CE04KW1A101M	ELECTRO 100UF 10WV		
UC10		*	C90-3980-08	CERAMIC 0.047UF Z		
UC11			CE04KW1H2R2M	ELECTRO 2.2UF 50WV		
UC12			CE04KW1A101M	ELECTRO 100UF 10WV		
UC13			CE04KW1H100M	ELECTRO 10UF 50WV		
UC14			CK45FB1H473Z	CERAMIC 0.047UF Z		
UC15,16			CC45FSL1H220J	CERAMIC 22PF J		
UC17,18			CC45FSL1H270J	CERAMIC 27PF J		
UC19,20			CC45FSL1H470J	CERAMIC 47PF J	TE	
UC21		*	C90-3980-08	CERAMIC 0.047UF Z	TE	
UC22			CC45FSL1H561J	CERAMIC 560PF J	TE	
UC23			CE04KW1H2R2M	ELECTRO 2.2UF 50WV	TE	
UC24			CK45FB1H473Z	CERAMIC 0.047UF Z	TE	
UC25			CK45FB1H102K	CERAMIC 1000PF K	TE	
UC26			CE04KW1H470M	ELECTRO 47UF 50WV		
UC27			CE04KW1C470M	ELECTRO 47UF 16WV		
UC28,29			CC45FSL1H221J	CERAMIC 220PF J		
UC30			CK45FB1H104Z	CERAMIC 0.10UF Z		
UC31			CK45FB1H104Z	CERAMIC 0.10UF Z		
UC33			CE04KW1H010M	ELECTRO 1.0UF 50WV		
UC34		*	C90-3981-08	ELECTRO 0.047F 5.5WV		
UCW1		*	E40-8786-08	CN FPC 30P 3708-001488		
UCW2		*	E40-8785-08	CN FPC 27P 3708-001212		
UX1		*	L78-0726-08	RESONATOR 6MHZ 2802-000181		

L : Scandinavia K : USA P : Canada R : Mexico C : China I : Malaysia
 Y : PX(Far East,Hawaii) T : England E : Europe G : Germany V : China(Shanghai)
 Y : AAFES(Europe) X : Australia Q : Russia H : Korea M : Other Areas Δ indicates safety critical components.

* New Parts
 Parts without **Parts No.** are not supplied.
 Les articles non mentionnés dans le **Parts No.** ne sont pas fournis.
 Teile ohne **Parts No.** werden nicht geliefert.

14

Ref. No	Add-ress	New Parts	Parts No.	Description	Desti-nation	Re-marks
UX2		*	L77-2331-08	CRYSTAL 32.768K 2801-001394		
UX3		*	L77-2332-08	CRYSTAL 4.332MHZ 2801-003601	TE	
UR1 ,2			RN14BK2C1800F	RN 180 F 1/6W		
UR45-47			RN14BK2C1800F	RN 180 F 1/6W		
UR127,128			RS14DB2H470J	FL-PROOF RS 47 F 1/2W		
JOG		*	T99-0649-08	SWITCH-ROTARY 3406-001050		
USW1 -22		*	S70-0089-08	SWITCH-TACT 3404-000165		
VR		*	T99-0648-08	SWITCH-ROTARY 3406-001047		
UD14,15			1N4148	DIODE-SWITCHING 0401-000101		
UD16-19			1N4002	DIODE-RECTIFIER 0402-000127	TE	
UD20-22			1N4148	DIODE S/W 0401-000101		
UD25,26			1N4148	DIODE-SWITCHING 0401-000101		
UIC1		*	LC86P6548-5T20	IC-MICOM AH09-00035A		
UIC2			NJU3711M	IC(8 BIT SERIAL-PARALLEL CHANG		
UIC3			BU1923F	IC(RDS DEMODULATOR)14-10008E	TE	
UQ1 ,2		*	KSR2003TA	TR-DIGITAL 0504-001003		
UQ3 -5		*	KSC945-YTA	TR-SMALL SIGNAL 0501-000398		
UQ6		*	KSR1003TA	TR-DIGITAL 0504-000118		
UQ7		*	KSC945-YTA	TR-SMALL 0501-000398	TE	
UQ8		*	KSA708-YTA	TR-SMALL 0501-000294	TE	
UZD1			MTZJ6.8B	DIODE-ZENER		
VFD		*	HNV-11SS21	VF DISPLAY AH07-00026A		
UEYE1		*	W02-2809-08	MODULE-REMOCON AH59-60001J		
TAPE PCB						
BC55,56			CE04KW1C100M	ELECTRO 10UF 16WV		
BC64-67			CQ92FM1H122J	MYLAR 1200PF J		
JC1L,1R			CC45FSL1H681J	CERAMIC 680PF J		
JC2L,2R			CC45FSL1H821J	CERAMIC 820PF J		
JC3L,3R			CE04KW1A470M	ELECTRO 47UF 10WV		
JC4L,4R			CQ92FM1H183J	MYLAR 0.018UF J		
JC5L,5R			CE04KW1H4R7M	ELECTRO 4.7UF 50WV		
JC7			CE04KW1C100M	ELECTRO 10UF 16WV		
JC8L,8R			CQ92FM1H223J	MYLAR 0.022UF J		
JC9			CE04KW1A101M	ELECTRO 100UF 10WV		
JC10			CE04KW1H4R7M	ELECTRO 4.7UF 50WV		
JC10L,10R			CC73FSL1H221J	CHIP C 220PF J		
JC11			CE04KW1C221M	ELECTRO 220UF 16WV		
JC12			CQ92FM1H223J	MYLAR 0.022UF J		
JC13L,13R			CE04KW1H2R2M	ELECTRO 2.2UF 50WV		
JC14L,14R			CE04KW1A470M	ELECTRO 47UF 10WV		
JC15L,15R			CE04KW1H2R2M	ELECTRO 2.2UF 50WV		
JC16L,16R			CE04KW1C100M	ELECTRO 10UF 16WV		
JC17L,17R			CQ92FM1H223J	MYLAR 0.022UF J		
JC18L,18R			CQ92FM1H472J	MYLAR 4700PF J		
JC19L,19R			CQ92FM1H562J	MYLAR 5600PF J		
JC20L,20R			CE04KW1C100M	ELECTRO 10UF 16WV		
JC21L,21R			CE04KW1C100M	ELECTRO 10UF 16WV		
JC22L,22R			CQ92FM1H392J	MYLAR 3900PF J		
JC23L,23R			CK73FB1H821J	CHIP C 820PF J		
JC24L,24R			CK73FB1H821J	CHIP C 820PF J		
JC26L,26R			CC73FSL1H221J	CHIP C 220PF J		
JC29			CQ92FM1H272J	MYLAR 2700PF J		

L : Scandinavia K : USA P : Canada R : Mexico C : China I : Malaysia
 Y : PX(Far East,Hawaii) T : England E : Europe G : Germany V : China(Shanghai)
 Y : AAFES(Europe) X : Australia Q : Russia H : Korea M : Other Areas Δ indicates safety critical components.

PARTS LIST

RXD-DV9

* New Parts

Parts without **Parts No.** are not supplied.Les articles non mentionnés dans le **Parts No.** ne sont pas fournis.Teile ohne **Parts No.** werden nicht geliefert.

15

Ref. No	Add-ress	New Parts	Parts No.	Description	Desti-nation	Re-marks
JC30L,30R		*	E70-0138-08	TERMINAL-BLOCK	3716-000209	
SPK2		*	E70-0139-08	TERMINAL-BLOCK	3716-001131	
LFU10		*	F50-0179-08	FUSE(80mA 250V)	3601-000319	
AL1L,1R		*	L39-1608-08	COIL-SPRING	AH27-90001A	
LL1-3		*	L39-1608-08	COIL-SPRING	AH27-90001A	
LPT1		*	L07-2981-08	TRANS-POWER	AH26-80144U	
JC64			CC45FSL1H101J	CERAMIC	100PF	J
JC91,92			CC73FSL1H101J	CHIP C	100PF	J
LC1		*	C91-1628-08	CERAMIC	0.1UF	Z
LC2			CE04KW1C471M	ELECTRO	470UF	16WV
LC3			CC73FSL1H101J			
LC3A			CK73FB1H103K	CHIP C	0.010UF	K
LPC1-3		*	C91-1626-08	CERAMIC	4700PF	Z
LPC4			CE04KW1E332M	ELECTRO	3300UF	25WV
LPC5,6		*	C90-3989-08	ELECTRO	6800UF	25WV
LPC8			CE04KW1C100M	ELECTRO	10UF	16WV
LPC9			CE04KW1C101M	ELECTRO	100UF	16WV
LPC11			CE04KW1C101M	ELECTRO	100UF	16WV
LPC13			CE04KW1C101M	ELECTRO	100UF	16WV
LPC15			CE04KW1C101M	ELECTRO	100UF	16WV
LPC17			CE04KW1C100M	ELECTRO	10UF	16WV
LPC25			CQ93FMG1H104J	MYLAR	0.10UF	J
LPC26			CE04KW1C470M	ELECTRO	47UF	16WV
LPC27,28			CE04KW1E102M	ELECTRO	1000UF	25WV
LPC29			CQ93FMG1H104J	MYLAR	0.10UF	J
LPC41,42		*	C91-1628-08	CERAMIC	0.1UF	Z
OC1		*	C91-1629-08	CERAMIC	0.022UF	Z
OC2			CE04KW1A101M	ELECTRO	100UF	10WV
OC3			C91-0733-05	CERAMIC	33PF	J
PC1,2		*	C91-1626-08	CERAMIC	4700PF	Z
LJ4		*	E56-0034-08	JACK-DIN	3722-001502	
LFU1		*	F50-0180-08	FUSE(2.5A 250V)	3601-000216	
RF1		*	F50-0185-08	FUSE-CARTRIDGE	3601-000263	
RF2		*	F50-0185-08	FUSE-CARTRIDGE	3601-000263	MM2
LJ3		*	E63-1201-08	JACK BOARD	AH37-22001R	
BL1		*	L90-0374-08	INDUCTOR-AXIAL	2701-000298	
JL1,1R		*	L39-1610-08	COIL-TRAP	AH26-10002W	
JL2		*	L90-0375-08	COIL CHOKE	AH27-10001D	
LF1-3		*	L39-1609-08	COIL-TRAP	AH26-10003C	
		*	L79-1277-08	FILTER-LINE NOI	AH29-00004A	
OF1		*	L92-0526-08	FILTER-EMI ON B	2901-001139	
PL1,2		*	L33-1621-08	COIL-CHOKE 27uH	AH27-10001F	
BR67,68			RK73FB2A183J	CHIP R	18K	J 1/10W
BR69			RK73FB2A332J	CHIP R	3.3K	J 1/10W
BR70			RK73FB2A473J	CHIP R	47K	J 1/10W
CR2			RK73FB2A222J	CHIP R	2.2K	J 1/10W
CR8			RK73FB2A102J	CHIP R	1.0K	J 1/10W
CR9			RK73FB2A103J	CHIP R	10K	J 1/10W
CR14			RK73FB2A472J	CHIP R	4.7K	J 1/10W
CR15			RD14BB2H681J	RD	680	J 1/2W
CR16			RK73FB2A472J	CHIP R	4.7K	J 1/10W
CR17			RD14BB2H681J	RD	680	J 1/2W

L: Scandinavia K: USA P: Canada R: Mexico C: China I: Malaysia

Y: PX(Far East,Hawaii) T: England E: Europe G: Germany V: China(Shanghai)

Y: AAFES(Europe) X: Australia Q: Russia H: Korea M: Other Areas Δ indicates safety critical components.

* New Parts

Parts without **Parts No.** are not supplied.Les articles non mentionnés dans le **Parts No.** ne sont pas fournis.Teile ohne **Parts No.** werden nicht geliefert.

15

Ref. No	Add-ress	New Parts	Parts No.	Description	Desti-nation	Re-marks
CR19			RK73FB2A472J	CHIP R	4.7K	J 1/10W
CR21			RK73FB2A103J	CHIP R	10K	J 1/10W
CR22			RD14BB2H681J	RD	680	J 1/2W
CR30			RK73FB2A103J	CHIP R	10K	J 1/10W
CR31,32			RK73FB2A104J	CHIP R	100K	J 1/10W
CR34-37			RK73FB2A222J	CHIP R	2.2K	J 1/10W
CR39			RK73FB2A332J	CHIP R	3.3K	J 1/10W
CR40			RK73FB2A472J	CHIP R	4.7K	J 1/10W
CR42			RK73FB2A103J	CHIP R	10K	J 1/10W
CVR2		*	R39-0036-08	VR-SEMI 2K	2103-000341	
JR1L,1R			RK73FB2A222J	CHIP R	2.2K	J 1/10W
JR2L,2R			RK73FB2A222J	CHIP R	2.2K	J 1/10W
JR4			RK73FB2A223J	CHIP R	22K	J 1/10W
JR7L,7R			RK73FB2A682J	CHIP R	6.8K	J 1/10W
JR9L,9R			RK73FB2A101J	CHIP R	100	J 1/10W
JR10L,10R			RK73FB2A222J	CHIP R	2.2K	J 1/10W
JR11L,11R			RK73FB2A103J	CHIP R	10K	J 1/10W
JR12L,12R			RK73FB2A471J	CHIP R	47K	J 1/10W
JR13			RK73FB2A474J	CHIP R	470K	J 1/10W
JR14			RK73FB2A562J	CHIP R	5.6K	J 1/10W
JR16L,16R			RK73FB2A152J	CHIP R	1.5K	J 1/10W
JR17L,17R			RK73FB2A331J	CHIP R	330	J 1/10W
JR18L,18R			RK73FB2A472J	CHIP R	4.7K	J 1/10W
JR20L,20R			RK73FB2A561J	CHIP R	560	J 1/10W
JR23L,23R			RK73FB2A153J	CHIP R	15K	J 1/10W
JR24L,24R			RK73FB2A392J	CHIP R	3.9K	J 1/10W
JR26			RK73FB2A103J	CHIP R	10K	J 1/10W
JR28L,28R			RK73FB2A472J	CHIP R	4.7K	J 1/10W
JR34L,34R			RK73FB2A821J	CHIP R	820	J 1/10W
JR35L,35R			RK73FB2A474J	CHIP R	470K	J 1/10W
JR36L,36R			RK73FB2A103J	CHIP R	10K	J 1/10W
JR37L,37R			RK73FB2A473J	CHIP R	47K	J 1/10W
JR38			RK73FB2A682J	CHIP R	6.8K	J 1/10W
JR39			RK73FB2A103J	CHIP R	10K	J 1/10W
JR40			RK73FB2A102J	CHIP R	1.0K	J 1/10W
JR40L,40R			RK73FB2A100J	CHIP R	10	J 1/10W
JR41L,41R			RK73FB2A102J	CHIP R	1.0K	J 1/10W
JR45L,45R			RK73FB2A104J	CHIP R		
JR42			RK73FB2A124J	CHIP R	120K	J 1/10W
JR43			RK73FB2A332J	CHIP R	3.3K	J 1/10W
JSR1		*	R39-0034-08	VR-SEMI 10K	2103-000171	
JSR1R			RK73FB2A332J	CHIP R	3.3K	J 1/10W
JSR2L,2R		*	R39-0035-08	VR-SEMI 200K	2103-000248	
JW15			RK73FB2A000J	CHIP R	0	J 1/10W
JW27			RK73FB2A000J	CHIP R	0	J 1/10W
JW32			RK73FB2A000J	CHIP R	0	J 1/10W
JW34			RK73FB2A000J	CHIP R	0	J 1/10W
JW81			RK73FB2A000J	CHIP R	0	J 1/10W
JW84			RK73FB2A000J	CHIP R	0	J 1/10W
JW205			RK73FB2A104J	CHIP R	100K	J 1/10W
LFR1		*	R92-4501-08	R-FUSIBLE	2.2ohm,5%,1/2	
LPR25			RS14GB3D331J	FL-PROOF RS	330	J 2W
LR10,11			RK73FB2A750J	CHIP R	75	J 1/10W
LR14			RK73FB2A2R2J	CHIP R	2.2	J 1/10W
LR20			RK73FB2A000J	CHIP R	0	J 1/10W

L: Scandinavia K: USA P: Canada R: Mexico C: China I: Malaysia

Y: PX(Far East,Hawaii) T: England E: Europe G: Germany V: China(Shanghai)

Y: AAFES(Europe) X: Australia Q: Russia H: Korea M: Other Areas Δ indicates safety critical components.

* New Parts
 Parts without **Parts No.** are not supplied.
 Les articles non mentionnes dans le **Parts No.** ne sont pas fournis.
 Teile ohne **Parts No.** werden nicht geliefert.

17

Ref. No	Address	New Parts	Parts No.	Description	Destination	Remarks
BQ1		*	KSA928A	TR-SMALL SIGNAL		
BQ2			KSR1009TA	TR-DIGITAL 0504-000122		
BQ11,12			KSC1008	TR-SMALL SIGNAL		
CD4 -6			1N4148	DIODE-SWITCHING 0401-000101		
CIC1		*	M66010	IC-I/O CONTROLL 0904-001316		
CQ1,2		*	KSR2003TA	TR-DIGITAL 0504-001003		
CQ3			KSA928A	TR-SMALL SIGNAL		
CQ4,5		*	KSC945-YTA	TR-SMALL SIGNAL 0501-000398		
CQ6			KSA928A	TR-SMALL SIGNAL		
CQ7		*	KSR1003TA	TR-DIGITAL 0504-000118		
CQ8			KSA928A	TR-SMALL SIGNAL		
CQ9		*	KSC945-YTA	TR-SMALL SIGNAL 0501-000398		
CQ10		*	KSC945-YTA	TR-SMALL SIGNAL 0501-000398		
JD1 -3			1N4148	DIODE-SWITCHING 0401-000101		
JD11,12			1N4002	DIODE-SWITCHING 0402-000127		
JD13,14			1N4148	DIODE-SWITCHING 0401-000101		
JD44			1N4148	DIODE-SWITCHING 0401-000101		
JIC1		*	KA22291	IC-PREAMP 1201-000358		
JQ1L,1R		*	KSR1003TA	TR-DIGITAL 0504-000118		
JQ2L,2R			KSC1008	TR-SMALL SIGNAL		
JQ3L,3R			KSC1008	TR-SMALL SIGNAL		
JQ4L,4R		*	KSC945-YTA	TR-SMALL SIGNAL 0501-000398		
JQ5L,5R		*	KSD471-YTA	TR-SMALL SIGNAL 0501-000407		
JQ6		*	KSR2003TA	TR-DIGITAL 0504-001003		
JQ9L,9R		*	KSR1009TA	TR-DIGITAL 0504-000122		
JQ10		*	KSR1009TA	TR-DIGITAL 0504-000122		
JQ11L,11R		*	KSD471-YTA	TR-SMALL SIGNAL 0501-000407		
JQ12L,12R		*	KSC945-YTA	TR-SMALL SIGNAL 0501-000398		
JQ30		*	KSC945-YTA	TR-SMALL SIGNAL 0501-000398		
JQ31		*	KSR2003TA	TR-DIGITAL 0504-001003		
LD1		*	GBU606	BRIDGE-DIODE 0402-001258		
LD2,3		*	KBP202G	DIODE-BRIDGE 0402-001077		
LD4 -7			1N4148	DIODE-SWITCHING 0401-000101		
LIC6,7		*	KA78R05	IC-VOLTAGE REGU 1203-001006		
LIC8			KA78R33	IC VOLTAGE REGUL 1203-001543		
LIC9		*	KA78R08	IC VOLTAGE REGUL 1203-001697		
LIC10			KA7808	IC-POS.FIXED R 1203-000294		
LQ12		*	KSD882	TR-POWER 0502-000303		
LZD1			MTZJ8.2B	DIODE-ZENER		
OIC1		*	M74HCU04	IC AH14-10004R		
OJACK1		*	W02-2810-08	POTIC TRANSMITT 0603-001051		
DVD PCB						
AC1 -3			CK73GB1E104Z	CHIP C 0.10UF	Z	
AC4			CK73GB1H102K	CHIP C 1000PF	K	
AC5,6			CC73GCH1H221J	CHIP C 220PF	J	
AC7,8			CK73GB1E104Z	CHIP C 0.10UF	Z	
AC9			CK73GB1E104Z	CHIP C 0.10UF	Z	
AC10			CK73GB1H102K	CHIP C 1000PF	K	
AC11,12			CC73GCH1H221J	CHIP C 220PF	J	
AC13,14			CK73GB1E104Z	CHIP C 0.10UF	Z	
AC16-18			CK73GB1E104Z	CHIP C 0.10UF	Z	
AC19			CK73GB1H102K	CHIP C 1000PF	K	
AC20,21			CC73GCH1H221J	CHIP C 220PF	J	
AC22,23			CK73GB1E104Z	CHIP C 0.10UF	Z	

L : Scandinavia K : USA P : Canada R : Mexico C : China I : Malaysia
 Y : PX(Far East,Hawaii) T : England E : Europe G : Germany V : China(Shanghai)
 Y : AAFES(Europe) X : Australia Q : Russia H : Korea M : Other Areas Δ indicates safety critical components.

* New Parts
 Parts without **Parts No.** are not supplied.
 Les articles non mentionnes dans le **Parts No.** ne sont pas fournis.
 Teile ohne **Parts No.** werden nicht geliefert.

18

Ref. No	Address	New Parts	Parts No.	Description	Destination	Remarks
AC25			CK73GB1H102K	CHIP C 1000PF	K	
AC26,27			CC73GCH1H221J	CHIP C 220PF	J	
AC29-31			CK73GB1E104Z	CHIP C 0.10UF	Z	
AC32			CK73GB1H102K	CHIP C 1000PF	K	
AC33,34			CC73GCH1H221J	CHIP C 220PF	J	
AC35,36			CK73GB1E104Z	CHIP C 0.10UF	Z	
AC38			CK73GB1H102K	CHIP C 1000PF	K	
AC39			CC73GCH1H221J	CHIP C 220PF	J	
AC40			CC73GCH1H221J	CHIP C 220PF	J	
AC42-44			CK73GB1E104Z	CHIP C 0.10UF	Z	
AC45			CK73GB1H102K	CHIP C 1000PF	K	
AC47			CC73GCH1H221J	CHIP C 220PF	J	
AC48,49			CK73GB1E104Z	CHIP C 0.10UF	Z	
AC50			CC73GCH1H221J	CHIP C 220PF	J	
AC51			CK73GB1H102K	CHIP C 1000PF	K	
AC52,53			CC73GCH1H221J	CHIP C 220PF	J	
AC54			CK73FB1H103K	CHIP C 0.010UF	K	
AC60,61			CK73GB1E104Z	CHIP C 0.10UF	Z	
AC73-80			CK73FB1H153K	CHIP C 0.015UF	K	
AC100			CK73GB1E104Z	CHIP C 0.10UF	Z	
AE1 -3			CE04KW1C101M	ELECTRO 100UF	16WV	
AE6			CE04KW1C220M	ELECTRO 22UF	16WV	
AE9			CE04KW1C220M	ELECTRO 22UF	16WV	
AE10			CE04KW1C470M	ELECTRO 47UF	16WV	
AE12			CE04KW1C101M	ELECTRO 100UF	16WV	
AE17			CE04KW1C220M	ELECTRO 22UF	16WV	
AE20			CE04KW1C220M	ELECTRO 22UF	16WV	
AE21			CE04KW1C101M	ELECTRO 100UF	16WV	
AE23			CE04KW1C101M	ELECTRO 100UF	16WV	
AE26			CE04KW1C220M	ELECTRO 22UF	16WV	
AE29			CE04KW1C220M	ELECTRO 22UF	16WV	
AE32			CE04KW1C101M	ELECTRO 100UF	16WV	
AE37			CE04KW1C220M	ELECTRO 22UF	16WV	
AE40			CE04KW1C220M	ELECTRO 22UF	16WV	
DC1 -3			CK73FB1H224K	CHIP C 0.22UF	K	
DC4 -9			CK73GB1E104Z	CHIP C 0.10UF	Z	
DC11-14			CK73GB1E104Z	CHIP C 0.10UF	Z	
DC16			CK73GB1E104Z	CHIP C 0.10UF	Z	
DC23,24			CK73GB1E104Z	CHIP C 0.10UF	Z	
DE1			CE04KW1C470M	ELECTRO 47UF	16WV	
DE2			CE04KW1C101M	ELECTRO 100UF	16WV	
DRC1-11			CK73GB1E104Z	CHIP C 0.10UF	Z	
DRE1-3			CE04KW1H4R7M	ELECTRO 4.7UF	50WV	
DRE4,5			CE04KW1C470M	ELECTRO 47UF	16WV	
DRE6			CE04KW1C101M	ELECTRO 100UF	16WV	
DRE7			CE04KW1C331M	ELECTRO 330UF	16WV	
DRE8			CE04KW1C470M	ELECTRO 47UF	16WV	
DRE9			CE04KW1C470M	ELECTRO 47UF	16WV	
DRC12		*	C91-1628-08	CERAMIC 0.1UF	Z	
DRC16		*	C91-1628-08	CERAMIC 0.1UF	Z	
LCE1			CE04KW1C101M	ELECTRO 100UF	16WV	
LC1			CK73FB1H103K	CHIP C 0.010UF	K	
LC3			CK73GB1E104Z	CHIP C 0.10UF	Z	
LC4			CK73FB1H103K	CHIP C 0.010UF	K	
LC5			CK73GB1E104Z	CHIP C 0.10UF	Z	

L : Scandinavia K : USA P : Canada R : Mexico C : China I : Malaysia
 Y : PX(Far East,Hawaii) T : England E : Europe G : Germany V : China(Shanghai)
 Y : AAFES(Europe) X : Australia Q : Russia H : Korea M : Other Areas Δ indicates safety critical components.

PARTS LIST

RXD-DV9

* New Parts

Parts without **Parts No.** are not supplied.Les articles non mentionnés dans le **Parts No.** ne sont pas fournis.Teile ohne **Parts No.** werden nicht geliefert.

Ref. No	Add-ress	New Parts	Parts No.	Description	Desti-nation	Re-marks
LC6 ,7			CK73FB1H103K	CHIP C	0.010UF	K
LC8			CK73GB1E104Z	CHIP C	0.10UF	Z
MC1 ,2			CK73GB1E104Z	CHIP C	0.10UF	Z
MC3 ,4			CC73FSL1H180J	CHIP C	18PF	J
MC5 -14			CK73GB1E104Z	CHIP C	0.10UF	Z
MC16			CC73FSL1H471J	CHIP C	470PF	J
MC18,19			CC73FSL1H471J	CHIP C	470PF	J
MC20			CK73GB1E104Z	CHIP C	0.10UF	Z
PC1 ,2			CK73GB1E104Z	CHIP C	0.10UF	Z
PC4			CK73GB1E104Z	CHIP C	0.10UF	Z
PE1 ,2			CE04KW1E101M	ELECTRO	100UF	25WV
PE3			CE04KW1A471M	ELECTRO	470UF	10WV
PE4			CE04KW1E101M	ELECTRO	100UF	25WV
RC1 -3			CK73GB1E104Z	CHIP C	0.10UF	Z
RC4			CC73FSL1H101J	CHIP C	100PF	J
RC5			CK73GB1E104Z	CHIP C	0.10UF	Z
RC6			CC73FSL1H561J	CHIP C	560PF	J
RC7			CC73FSL1H391J	CHIP C	390PF	J
RC8			CC73FSL1H150J	CHIP C	15PF	J
RC9 ,10			CK73FB1H103K	CHIP C	0.010UF	K
RC11			CK73GB1E104Z	CHIP C	0.10UF	Z
RC12,13			CK73FB1H224K	CHIP C	0.22UF	K
RC14			CK73GB1H102K	CHIP C	1000PF	K
RC15			CK73GB1E104Z	CHIP C	0.10UF	Z
RC15-17			CK73GB1E104Z	CHIP C	0.10UF	Z
RC20			CK73GB1E104Z	CHIP C	0.10UF	Z
RC21			CC73FSL1H150J	CHIP C	15PF	J
RC22,23			CK73GB1E104Z	CHIP C	0.10UF	Z
RC24			CC73FSL1H820J	CHIP C	82PF	J
RC25-27			CK73GB1E104Z	CHIP C	0.10UF	Z
RC28			CC73FSL1H561J	CHIP C	560PF	J
RC29			CK73GB1E104Z	CHIP C	0.10UF	Z
RC31-34			CK73GB1E104Z	CHIP C	0.10UF	Z
RC35			CC73FSL1H101J	CHIP C	100PF	J
RC36			CK73FB1H152K	CHIP C	1500PF	K
RC37,38			CK73GB1E104Z	CHIP C	0.10UF	Z
RC39			CK73FB1H272K	CHIP C	2700PF	K
RC40			CK73FB1H103K	CHIP C	0.010UF	K
RC41-44			CK73GB1E104Z	CHIP C	0.10UF	Z
RC45			CK73FB1C474Z	CHIP C	0.47UF	Z
RC46			CK73FB1H224K	CHIP C	0.22UF	K
RC47			CK73GB1E104Z	CHIP C	0.10UF	Z
RC47A			CK73FB1H224K	CHIP C	0.22UF	K
RC50-54			CK73GB1E104Z	CHIP C	0.10UF	Z
RC55			CK73FB1H472K	CHIP C	4700PF	K
RE2			CE04KW1C100M	ELECTRO	10UF	16WV
RE8			CE04KW1C100M	ELECTRO	10UF	16WV
RE9			CE04KW1C470M	ELECTRO	47UF	16WV
RE10			CE04KW1H010M	ELECTRO	1.0UF	50WV
RE11			CE04KW1C220M	ELECTRO	22UF	16WV
RE12			CE04KW1C470M	ELECTRO	47UF	16WV
RE13			CE04KW1C100M	ELECTRO	10UF	16WV
RE17			CE04KW1C470M	ELECTRO	47UF	16WV
RSC1			CK73GB1E104Z	CHIP C	0.10UF	Z
SC1 -3			C91-0757-05	CERAMIC	1000PF	K

L : Scandinavia

K : USA

P : Canada

R : Mexico

C : China

I : Malaysia

Y : PX(Far East,Hawaii)

T : England

E : Europe

G : Germany

V : China(Shanghai)

Y : AAFES(Europe)

X : Australia

Q : Russia

H : Korea

M : Other Areas

⚠ indicates safety critical components.



* New Parts

Parts without **Parts No.** are not supplied.Les articles non mentionnés dans le **Parts No.** ne sont pas fournis.Teile ohne **Parts No.** werden nicht geliefert.

Ref. No	Add-ress	New Parts	Parts No.	Description	Desti-nation	Re-marks
SC1A		*	C91-1628-08	CERAMIC	0.1UF	Z
SC2 ,3			CC73FSL1H120J	CHIP C	12PF	J
SC4 -7			CK73GB1E104Z	CHIP C	0.10UF	Z
SC9			CK73FB1H224K	CHIP C	0.22UF	K
SC10			CC73FSL1H821J	CHIP C	820PF	J
SC11			CK73GB1E104Z	CHIP C	0.10UF	Z
SC14			CK73FB1H222K	CHIP C	2200PF	K
SC16			CK73GB1E104Z	CHIP C	0.10UF	Z
SC17			CK73FB1H224K	CHIP C	0.22UF	K
SC18			CK73GB1E104Z	CHIP C	0.10UF	Z
SC19			CK73FB1H152K	CHIP C	1500PF	K
SC20A			CK73GB1E104Z	CHIP C	0.10UF	Z
SC21,22			CC73FSL1H100J	CHIP C	10PF	J
SC26			CK73FB1H223K	CHIP C	0.022UF	K
SC29,30			CK73FB1H153K	CHIP C	0.015UF	K
SC31,32			CK73FB1H222K	CHIP C	2200PF	K
SC33			CK73FB1H224K	CHIP C	0.22UF	K
SC34			CC73FSL1H181J	CHIP C	180PF	J
SC36-39			CK73GB1E104Z	CHIP C	0.10UF	Z
SE1 -4			CE04KW1C470M	ELECTRO	47UF	16WV
SE5			CE04KW1C220M	ELECTRO	22UF	16WV
VC1 -35			CK73GB1E104Z	CHIP C	0.10UF	Z
VC36-41			CK73FB1H224K	CHIP C	0.22UF	K
VC42-45			CK73GB1E104Z	CHIP C	0.10UF	Z
VC47			CC73FSL1H220J	CHIP C	22PF	J
VC48			CC73FSL1H270J	CHIP C	27PF	J
VC49			CC73FSL1H220J	CHIP C	22PF	J
VC50-55			CK73FB1H224K	CHIP C	0.22UF	K
VC79			CC73FSL1H220J	CHIP C	22PF	J
VC100-106			CK73GB1E104Z	CHIP C	0.10UF	Z
VE1			CE04KW1E101M	ELECTRO	100UF	25WV
VE51			CE04KW1C470M	ELECTRO	47UF	16WV
VE66			CE04KW1C471M	ELECTRO	470UF	16WV
VE69			CE04KW1C470M	ELECTRO	47UF	16WV
VR12			CC73FSL1H220J	CHIP C	22PF	J
VR14			CC73FSL1H220J	CHIP C	22PF	J
ACW2		*	E40-8788-08	FPC CONNECTOR	3708-001197	
CN5		*	E40-8787-08	CONNECTOR FPC/F	3708-000279	
SCW1		*	E40-8787-08	CONNECTOR FPC/F	3708-000279	
DL1		*	L92-0527-08	CORE FERRITE BE	3301-000353	
DL2 ,3		*	L90-0377-08	INDUCTOR-SMD 10	2703-000001	
DL5		*	L90-0377-08	INDUCTOR-SMD	2703-000001	
DRL1,2		*	L92-0527-08	CORE FERRITE BE	3301-000353	
LR5		*	L92-0527-08	CORE FERRITE BE	3301-000353	
ML1		*	L92-0527-08	CORE FERRITE BE	3301-000353	
MXTAL1		*	L77-2333-08	CRYSTAL 20MHZ	2801-000199	
RL2		*	L90-0377-08	INDUCTOR-SMD	2703-000001	
RL3 ,4		*	L92-0527-08	CORE FERRITE BE	3301-000353	
SL1		*	L90-0376-08	INDUCTOR-AXIAL	2701-000114	
SL2 -4		*	L92-0527-08	CORE FERRITE BE	3301-000353	
SY1		*	L77-2334-08	CRYSTAL 33.868	2801-000261	
VB1		*	L92-0527-08	CORE FERRITE BE	3301-000353	
VL1		*	L92-0527-08	CORE FERRITE BE	3301-000353	
VL3		*	L92-0527-08	CORE FERRITE BE	3301-000353	

L : Scandinavia

K : USA

P : Canada

R : Mexico

C : China

I : Malaysia

Y : PX(Far East,Hawaii)

T : England

E : Europe

G : Germany

V : China(Shanghai)

Y : AAFES(Europe)

X : Australia

Q : Russia

H : Korea

M : Other Areas

⚠ indicates safety critical components.

* New Parts
 Parts without **Parts No.** are not supplied.
 Les articles non mentionnés dans le **Parts No.** ne sont pas fournis.
 Teile ohne **Parts No.** werden nicht geliefert.

21

Ref. No	Add-ress	New Parts	Parts No.	Description	Desti-nation	Re-marks
VL6		*	L92-0527-08	CORE FERRITE BE 3301-000353		
VL8		*	L92-0527-08	CORE FERRITE BE 3301-000353		
VL100		*	L90-0377-08	INDUCTOR-SMD 2703-000001		
VY1		*	L77-2335-08	CRYSTAL 27MHZ 2801-003554		
ARR1,2		*	L90-0377-08	INDUCTOR-SMD 10 2703-000001		
AR1 -8			RK73GB1J101J	CHIP R 100 J 1/16W		
AR9			RK73GB1J622J	CHIP R 6.2K J 1/16W		
AR10-14			RK73GB1J622J	CHIP R 6.2K J 1/16W		
AR15			RK73GB1J103J	CHIP R 10K J 1/16W		
AR16			RK73GB1J102J	CHIP R 1.0K J 1/16W		
AR18,19			RK73GB1J102J	CHIP R 1.0K J 1/16W		
AR20			RK73GB1J331J	CHIP R 330 J 1/16W		
AR21-26			RK73GB1J622J	CHIP R 6.2K J 1/16W		
AR27			RK73GB1J103J	CHIP R 10K J 1/16W		
AR28-30			RK73GB1J101J	CHIP R 100 J 1/16W		
AR30,31			RK73GB1J102J	CHIP R 1.0K J 1/16W		
AR32			RK73GB1J331J	CHIP R 330 J 1/16W		
AR33			RK73GB1J102J	CHIP R 1.0K J 1/16W		
AR34-39			RK73GB1J622J	CHIP R 6.2K J 1/16W		
AR40			RK73GB1J103J	CHIP R 10K J 1/16W		
AR41,42			RK73GB1J101J	CHIP R 100 J 1/16W		
AR43,44			RK73GB1J102J	CHIP R 1.0K J 1/16W		
AR45			RK73GB1J331J	CHIP R 330 J 1/16W		
AR46-51			RK73GB1J622J	CHIP R 6.2K J 1/16W		
AR52			RK73GB1J103J	CHIP R 10K J 1/16W		
AR53,54			RK73GB1J101J	CHIP R 100 J 1/16W		
AR55,56			RK73GB1J102J	CHIP R 1.0K J 1/16W		
AR57			RK73GB1J331J	CHIP R 330 J 1/16W		
AR58			RK73GB1J101J	CHIP R 100 J 1/16W		
AR59-64			RK73GB1J622J	CHIP R 6.2K J 1/16W		
AR61A			RK73GB1J102J	CHIP R 1.0K J 1/16W		
AR65			RK73GB1J103J	CHIP R 10K J 1/16W		
AR66-68			RK73GB1J101J	CHIP R 100 J 1/16W		
AR69			RK73GB1J102J	CHIP R 1.0K J 1/16W		
AR70			RK73GB1J331J	CHIP R 330 J 1/16W		
AR71-76			RK73GB1J622J	CHIP R 6.2K J 1/16W		
AR77			RK73GB1J103J	CHIP R 10K J 1/16W		
AR78			RK73GB1J102J	CHIP R 1.0K J 1/16W		
AR79			RK73GB1J101J	CHIP R 100 J 1/16W		
AR80,81			RK73GB1J103J	CHIP R 10K J 1/16W		
AR82			RK73GB1J331J	CHIP R 330 J 1/16W		
AR83			RK73GB1J330J	CHIP R 33 J 1/16W		
AR84			RK73GB1J101J	CHIP R 100 J 1/16W		
AR85,86			RK73GB1J102J	CHIP R 1.0K J 1/16W		
AR87			RK73GB1J101J	CHIP R 100 J 1/16W		
AR88			RK73GB1J102J	CHIP R 1.0K J 1/16W		
AR89-91			RK73GB1J223J	CHIP R 22K J 1/16W		
AR92			RK73GB1J102J	CHIP R 1.0K J 1/16W		
AR93			RK73GB1J101J	CHIP R 100 J 1/16W		
AR93,94			RK73GB1J223J	CHIP R 22K J 1/16W		
AR95-99			RK73GB1J622J	CHIP R 6.2K J 1/16W		
AR100			RK73GB1J622J	CHIP R 6.2K J 1/16W		
AR101			RK73GB1J103J	CHIP R 10K J 1/16W		
AR102,102			RK73GB1J223J	CHIP R 22K J 1/16W		

L : Scandinavia K : USA P : Canada R : Mexico C : China I : Malaysia
 Y : PX(Far East,Hawaii) T : England E : Europe G : Germany V : China(Shanghai)
 Y : AAFES(Europe) X : Australia Q : Russia H : Korea M : Other Areas Δ indicates safety critical components.

* New Parts
 Parts without **Parts No.** are not supplied.
 Les articles non mentionnés dans le **Parts No.** ne sont pas fournis.
 Teile ohne **Parts No.** werden nicht geliefert.

22

Ref. No	Add-ress	New Parts	Parts No.	Description	Desti-nation	Re-marks
AR106			RK73GB1J331J	CHIP R 330 J 1/16W		
AR107-112			RK73GB1J622J	CHIP R 6.2K J 1/16W		
AR113			RK73GB1J103J	CHIP R 10K J 1/16W		
AR118			RK73GB1J331J	CHIP R 330 J 1/16W		
AR150-156			RK73GB1J102J	CHIP R 1.0K J 1/16W		
AR170,171			RK73GB1J101J	CHIP R 100 J 1/16W		
DRR2			RN14BK2E1800F	RN 180 F 1/4W		
DRR3,4		*	R92-4504-08	CHIP R 1 J 1/4W		
DRR7			RK73FB2A243J	CHIP R 24K J 1/10W		
DRR9			RK73FB2A303J	CHIP R 30K J 1/10W		
DRR10			RK73FB2A472J	CHIP R 4.7K J 1/10W		
DRR11,12			RK73GB1J682J	CHIP R 6.8K J 1/16W		
DRR13			RK73FB2A203J	CHIP R 20K J 1/10W		
DRR14			RK73FB2A000J	CHIP R 0 J 1/10W		
DRR14			RN14BK2E1803F	RN 180K F 1/4W		
LR1,2			RK73FB2A472J	CHIP R 4.7K J 1/10W		
LR3,4			RK73GB1J102J	CHIP R 1.0K J 1/16W		
LR7-9			RK73FB2A391J	CHIP R 390 J 1/10W		
LR10			RK73FB2A472J	CHIP R 4.7K J 1/10W		
LR14			RK73GB1J101J	CHIP R 100 J 1/16W		
MR1			RK73FB2A472J	CHIP R 4.7K J 1/10W		
MR2			RK73FB2A105J	CHIP R 1.0M J 1/10W		
MR3-10			RK73FB2A472J	CHIP R 4.7K J 1/10W		
MR12-24			RK73GB1J101J	CHIP R 100 J 1/16W		
MR25,26			RK73FB2A000J	CHIP R 0 J 1/10W		
MR27			RK73FB2A393J	CHIP R 39K J 1/10W		
MR34,35			RK73FB2A472J	CHIP R 4.7K J 1/10W		
MR36			RK73FB2A222J	CHIP R 2.2K J 1/10W		
MR37,38			RK73GB1J103J	CHIP R 10K J 1/16W		
MR39			RK73FB2A124J	CHIP R 120K J 1/10W		
MR41,43			RK73FB2A104J	CHIP R 100K J 1/10W		
MR44-49			RK73GB1J101J	CHIP R 100 J 1/16W		
OR36			RK73FB2A220J	CHIP R 22 J 1/10W		
OR37			RK73GB1J101J	CHIP R 100 J 1/16W		
RR1-3			RK73FB2A123J	CHIP R 12K J 1/10W		
RR4			RK73GB1J103J	CHIP R 10K J 1/16W		
RR5			RK73GB1J622J	CHIP R 6.2K J 1/16W		
RR6			RK73GB1J153J	CHIP R 15K J 1/16W		
RR7			RK73FB2A470J	CHIP R 47 J 1/10W		
RR8			RK73GB1J471J	CHIP R 470 J 1/16W		
RR9			RK73GB1J220J	CHIP R 22 J 1/16W		
RR10			RK73FB2A822J	CHIP R 8.2K J 1/10W		
RR11			RK73FB2A242J	CHIP R 2.4K J 1/10W		
RR12			RK73FB2A203J	CHIP R 20K J 1/10W		
RR13			RK73FB2A822J	CHIP R 8.2K J 1/10W		
RR14			RK73FB2A123J	CHIP R 12K J 1/10W		
RR15			RK73FB2A822J	CHIP R 8.2K J 1/10W		
RR16			RK73FB2A362J	CHIP R 3.6K J 1/10W		
RR17			RK73FB2A153J	CHIP R 15K J 1/10W		
RR18,19			RK73FB2A104J	CHIP R 100K J 1/10W		
RR20			RK73FB2A472J	CHIP R 4.7K J 1/10W		
RR21			RK73FB2A272J	CHIP R 2.7K J 1/10W		
RR22,23			RK73FB2A104J	CHIP R 100K J 1/10W		
RR24			RK73GB1J102J	CHIP R 1.0K J 1/16W		
RR25			RK73FB2A123J	CHIP R 12K J 1/10W		

L : Scandinavia K : USA P : Canada R : Mexico C : China I : Malaysia
 Y : PX(Far East,Hawaii) T : England E : Europe G : Germany V : China(Shanghai)
 Y : AAFES(Europe) X : Australia Q : Russia H : Korea M : Other Areas Δ indicates safety critical components.

PARTS LIST

RXD-DV9

* New Parts
Parts without **Parts No.** are not supplied.
Les articles non mentionnés dans le **Parts No.** ne sont pas fournis.
Teile ohne **Parts No.** werden nicht geliefert.

23

Ref. No	Add-ress	New Parts	Parts No.	Description	Desti-nation	Re-marks
RR26			RK73GB1J103J	CHIP R 10K J 1/16W		
RR27			RK73FB2A393J	CHIP R 39K J 1/10W		
RR28,29			RK73GB1J102J	CHIP R 1.0K J 1/16W		
RR30			RK73FB2A123J	CHIP R 12K J 1/10W		
RR31			RK73FB2A822J	CHIP R 8.2K J 1/10W		
RR32			RK73FB2A104J	CHIP R 100K J 1/10W		
RR33			RK73FB2A332J	CHIP R 3.3K J 1/10W		
RR34			RK73GB1J103J	CHIP R 10K J 1/16W		
RR35			RK73FB2A153J	CHIP R 15K J 1/10W		
RR36-39			RK73FB2A104J	CHIP R 100K J 1/10W		
RR40			RK73FB2A273J	CHIP R 27K J 1/10W		
RR41			RK73FB2A392J	CHIP R 3.9K J 1/10W		
RR42-45			RK73GB1J103J	CHIP R 10K J 1/16W		
RR46			RK73FB2A472J	CHIP R 4.7K J 1/10W		
RR47,48			RK73FB2A104J	CHIP R 100K J 1/10W		
RR49,50			RK73FB2A472J	CHIP R 4.7K J 1/10W		
RR51			RK73FB2A333J	CHIP R 33K J 1/10W		
RR53			RK73FB2A000J	CHIP R 0 J 1/10W		
RR56			RK73FB2A472J	CHIP R 4.7K J 1/10W		
RR57			RK73FB2A752J	CHIP R 7.5K J 1/10W		
RR58			RK73FB2A123J	CHIP R 12K J 1/10W		
RR59			RK73FB2A332J	CHIP R 3.3K J 1/10W		
RR62			RK73FB2A472J	CHIP R 4.7K J 1/10W		
RR63			RK73GB1J103J	CHIP R 10K J 1/16W		
RR65			RK73FB2A332J	CHIP R 3.3K J 1/10W		
RR67-69			RK73FB2A153J	CHIP R 15K J 1/10W		
RR68			RK73FB2A183J	CHIP R 18K J 1/10W		
RR70			RK73FB2A333J	CHIP R 33K J 1/10W		
RR71			RK73FB2A000J	CHIP R 0 J 1/10W		
RR72			RK73FB2A514J	CHIP R 510K J 1/10W		
RR73			RK73FB2A393J	CHIP R 39K J 1/10W		
RR73A			RK73FB2A472J	CHIP R 4.7K J 1/10W		
RR75			RK73FB2A332J	CHIP R 3.3K J 1/10W		
RR76			RK73FB2A220J	CHIP R 22 J 1/10W		
RR77			RK73FB2A123J	CHIP R 12K J 1/10W		
RS1			RK73FB2A222J	CHIP R 2.2K J 1/10W		
RS5			RK73FB2A473J	CHIP R 47K J 1/10W		
SR1			RK73GB1J103J	CHIP R 10K J 1/16W		
SR2			RK73FB2A105J	CHIP R 1.0M J 1/10W		
SR3,4			RK73GB1J103J	CHIP R 10K J 1/16W		
SR5			RK73FB2A822J	CHIP R 8.2K J 1/10W		
SR6			RK73FB2A563J	CHIP R 56K J 1/10W		
SR7			RK73FB2A361J	CHIP R 360 J 1/10W		
SR8			RK73FB2A000J	CHIP R 0 J 1/10W		
SR9,10			RK73FB2A472J	CHIP R 4.7K J 1/10W		
SR11			RK73FB2A474J	CHIP R 470K J 1/10W		
SR12			RK73FB2A914J	CHIP R 910K J 1/10W		
SR13			RK73FB2A000J	CHIP R 0 J 1/10W		
SR14			RK73FB2A181J	CHIP R 180 J 1/10W		
SR15			RK73FB2A104J	CHIP R 100K J 1/10W		
SR16			RK73FB2A913J	CHIP R 91K J 1/10W		
SR17,18			RK73FB2A203J	CHIP R 20K J 1/10W		
SR19,20			RK73FB2A153J	CHIP R 15K J 1/10W		
SR21,22			RK73FB2A000J	CHIP R 0 J 1/10W		
SR23			RK73FB2A393J	CHIP R 39K J 1/10W		

L : Scandinavia K : USA P : Canada R : Mexico C : China I : Malaysia

Y : PX(Far East,Hawaii) T : England E : Europe G : Germany V : China(Shanghai)

Y : AAFES(Europe) X : Australia Q : Russia H : Korea M : Other Areas Δ indicates safety critical components.

24

* New Parts
Parts without **Parts No.** are not supplied.
Les articles non mentionnés dans le **Parts No.** ne sont pas fournis.
Teile ohne **Parts No.** werden nicht geliefert.

Ref. No	Add-ress	New Parts	Parts No.	Description	Desti-nation	Re-marks
SR24			RK73FB2A000J	CHIP R 0 J 1/10W		
SR26			RK73FB2A123J	CHIP R 12K J 1/10W		
SR31-33			RK73FB2A202J	CHIP R 2.0K J 1/10W		
SR34-37			RK73FB2A222J	CHIP R 2.2K J 1/10W		
SR38			RK73FB2A153J	CHIP R 15K J 1/10W		
SR39			RK73FB2A183J	CHIP R 18K J 1/10W		
SR40			RK73GB1J103J	CHIP R 10K J 1/16W		
SR42			RK73GB1J103J	CHIP R 10K J 1/16W		
SR44-47			RK73GB1J102J	CHIP R 1.0K J 1/16W		
SR48,49			RK73FB2A105J	CHIP R 1.0M J 1/10W		
SR50,51			RK73FB2A332J	CHIP R 3.3K J 1/10W		
SR52			RK73FB2A362J	CHIP R 3.6K J 1/10W		
SR53			RK73FB2A152J	CHIP R 1.5K J 1/10W		
SR54			RK73FB2A471J	CHIP R 470 J 1/10W		
VL2			RK73FB2A221J	CHIP R 220 J 1/10W		
VL4			RK73FB2A221J	CHIP R 220 J 1/10W		
VL5			RK73FB2A221J	CHIP R 220 J 1/10W		
VR2			RK73FB2A472J	CHIP R 4.7K J 1/10W		
VR3			RK73GB1J101J	CHIP R 100 J 1/16W		
VR4			RK73FB2A472J	CHIP R 4.7K J 1/10W		
VR7			RK73FB2A121J	CHIP R 120 J 1/10W		
VR9			RK73FB2A105J	CHIP R 1.0M J 1/10W		
VR10			RK73FB2A472J	CHIP R 4.7K J 1/10W		
VR11			RK73FB2A333J	CHIP R 33K J 1/10W		
VR12			RK73FB2A221J	CHIP R 220 J 1/10W		
VR13			RK73FB2A471J	CHIP R 470 J 1/10W		
VR14			RK73FB2A221J	CHIP R 220 J 1/10W		
VR15,16			RK73FB2A472J	CHIP R 4.7K J 1/10W		
VR21-28			RK73GB1J103J	CHIP R 10K J 1/16W		
VR29			RK73GB1J101J	CHIP R 100 J 1/16W		
VR30-41			RK73GB1J330J	CHIP R 33 J 1/16W		
VR42-52			RK73GB1J101J	CHIP R 100 J 1/16W		
VR53-55			RK73GB1J101J	CHIP R 100 J 1/16W		
VR56			RK73FB2A000J	CHIP R 0 J 1/10W		
VR57-81			RK73GB1J101J	CHIP R 100 J 1/16W		
VR82			RK73GB1J151J	CHIP R 150 J 1/16W		
VR83-98			RK73GB1J681J	CHIP R 680 J 1/16W		
VR100			RK73GB1J681J	CHIP R 680 J 1/16W		
VR101			RK73FB2A472J	CHIP R 4.7K J 1/10W		
VR102-104			RK73GB1J330J	CHIP R 33 J 1/16W		
VR105-107			RK73GB1J103J	CHIP R 10K J 1/16W		
VR108			RK73GB1J681J	CHIP R 680 J 1/16W		
VR109-117			RK73GB1J101J	CHIP R 100 J 1/16W		
VR176-178			RK73FB2A431J	CHIP R 430 J 1/10W		
VR193			RK73FB2A750J	CHIP R 75 J 1/10W		
VR200,201			RK73FB2A333J	CHIP R 33K J 1/10W		
AD1-3			DAN202K	DIODE-ARRAY		
AD6-10			DAN202K	DIODE-ARRAY		
AD12-15			DAN202K	DIODE-ARRAY		
AIC1-4		*	AK4324VF	IC-D/A CONVERTER	1002-001129	
AIC5		*	M74HCU04	IC	AH14-10004R	
AOP1-4		*	BA4560	IC(OP AMP X2)		
AQ1-16		*	KSC1623L	TR-SMALL SIGNAL	0501-000341	
AQ20		*	KSR2103	TR-DIGITAL	0504-000156	

L : Scandinavia K : USA P : Canada R : Mexico C : China I : Malaysia

Y : PX(Far East,Hawaii) T : England E : Europe G : Germany V : China(Shanghai)

Y : AAFES(Europe) X : Australia Q : Russia H : Korea M : Other Areas Δ indicates safety critical components.

* New Parts
 Parts without **Parts No.** are not supplied.
 Les articles non mentionnés dans le **Parts No.** ne sont pas fournis.
 Teile ohne **Parts No.** werden nicht geliefert.

25

Ref. No	Add-ress	New Parts	Parts No.	Description	Desti-nation	Re-marks
AQ21		*	KSR1103	TR-DIGITAL	0504-000128	
AQ22		*	KSR2103	TR-DIGITAL	0504-000156	
AQ23		*	KSR1103	TR-DIGITAL	0504-000128	
AQ24		*	KSR2103	TR-DIGITAL	0504-000156	
AQ25		*	KSR1103	TR-DIGITAL	0504-000128	
AQ26		*	KSR2103	TR-DIGITAL	0504-000156	
AQ27		*	KSR1103	TR-DIGITAL	0504-000128	
AQ28		*	KSR2103	TR-DIGITAL	0504-000156	
AQ29		*	KSR1103	TR-DIGITAL	0504-000128	
AQ30		*	KSR2103	TR-DIGITAL	0504-000156	
AQ31		*	KSR1103	TR-DIGITAL	0504-000128	
AQ32		*	KSR2103	TR-DIGITAL	0504-000156	
AQ33		*	KSR1103	TR-DIGITAL	0504-000128	
DIC1		*	KS1453	IC-ASIC	AH13-10030P	
DIC2		*	MHB416256A-35J	DRAM-IC	AH11-12001A-1	
DIC7			TC7SET08F	IC-CMOS LOGIC		
DRIC1		*	KA3011DTF	IC-MOTOR DRIVER	1003-001130	
DRIC2		*	FAN8000D	IC-MOTOR DRIVER	1003-001284	
LIC1,2			KA3082	IC-MOTOR DRIVER		
LQ1		*	KA78L05Z-TA	IC-POSI.ADJUST	AC14-12001G	
LZD1			UZ5.6BM	DIODE-ZENER		
LZD2			MTZJ4.7B	DIODE-ZENER		
MIC1		*	TMP93CM41F	IC-MICROCONTROL	0903-001144	
MIC2		*	TC74AC573F	IC-CMOS LOGIC	0801-002207	
MIC5		*	AT24C020	IC-EPROM	1103-001133	
MIC6		*	7S32	IC-CMOSLOGIC	0801-002143	
MIC7			74HC00	IC-CMOS LOGIC		
MIC8		*	AT27C081	IC-EPROM	1102-001090	
RD3			MTZJ3.9B	DIODE-ZENER		
RD6,7			DAN202K	DIODE-ARRAY		
RIC1		*	KS1461	IC-ASIC	AH13-10030M	
RIC2		*	74VHC4053	IC-CMOS LOGIC	0801-002279	
RIC3		*	KA2903DTF	IC-VOLTAGE COMP	1202-000121	
RIC4			BA4560	IC(OP AMP X2)		
RQ2		*	KSR1103	TR-DIGITAL	0504-000128	
SD2,3			DAN202K	DIODE-ARRAY		
SIC1		*	KS1452	IC-ASIC	AH13-10030N	
SIC2,3			TC7SET08F	IC-CMOS LOGIC		
SIC8		*	KA2903DTF	IC-VOLTAGE COMP	1202-000121	
SQ1		*	KSR1103	TR-DIGITAL	0504-000128	
VD1			1N4002	DIODE-RECTIFIER	0402-000127	
VIC1		*	ZIVA-3	IC-DECODER	1204-001438	
VIC3			TC7SET08F	IC-CMOS LOGIC		
VIC4		*	NT56V1616A0T-07	IC-SDRAM	1105-001268	
VIC6		*	M74HCU04	IC	AH14-10004R	
VIC10		*	NT56V1616A0T-07	IC-SDRAM	1105-001268	
VIC50		*	SAA7128	IC-VIDEO ENCODE	1204-001366	
VIC52		*	BA7660	IC-VIDEO AMP	BA7660	
DVD MECHANISM						
2	1B	*	J99-0826-08	TRAY-SLID	AH66-90055A	
3	1B	*	J99-0827-08	TRAY	AH66-90056A	
4	2B	*	D13-2536-08	GEAR-CAM	AJ66-20001A	
5	2A	*	D13-2537-08	GEAR-CONVE	AH66-20190A	
6	2B	*	D13-1928-08	GEAR-TRAY	AH66-20189A	

L : Scandinavia K : USA P : Canada R : Mexico C : China I : Malaysia
 Y : PX(Far East,Hawaii) T : England E : Europe G : Germany V : China(Shanghai)
 Y : AAFES(Europe) X : Australia Q : Russia H : Korea M : Other Areas Δ indicates safety critical components.

* New Parts
 Parts without **Parts No.** are not supplied.
 Les articles non mentionnés dans le **Parts No.** ne sont pas fournis.
 Teile ohne **Parts No.** werden nicht geliefert.

26

Ref. No	Add-ress	New Parts	Parts No.	Description	Desti-nation	Re-marks
7	2B	*	D10-3987-08	SLIDE-CAM	AH66-80022A	
8	2A	*	D13-2538-08	GEAR-SYNCR	AH66-20191A	
9	2B	*	D15-0439-08	GEAR-PULLE	AH66-20186A	
10	3A	*	D16-0763-08	BELT-LOAD	AH66-60034A	
11	3B	*	D15-0440-08	PULLEY-M/R	AH66-10008A	
12	3B	*	T42-1000-08	M/R-DC	AH31-10021A	
14	2B	*	J11-0869-08	PLATE-CHUC	AH61-00070A	
15	2B	*	T99-0647-08	MAGNET	AH33-00002A	
16	2B	*	T50-1089-08	CLAMPER	AH66-00027A	
18	1B	*	D13-2539-08	GEAR-WORM	AH66-20192A	
19	1B	*	T42-1101-08	M/R-ROULET	AH31-12001A	
20	3B	*	E35-2867-08	CABLE-FLAT	AH39-00049A	
22	2B	*	D13-2540-08	GEAR-LOAD	AH66-20187A	
23	2B	*	G16-1229-08	SHEET-CHUC	AH63-00086A	
24	3B	*	W02-2806-08	ASSY-PCBSW	AH59-10102A	
25	1B	*	D13-2541-08	GEAR-ROULL	AH66-20193A	
26	3B	*	D40-1722-08	TRAVERSE ASSY	AH97-00199A	
27	3A,3B	*	E35-2868-08	FLAT CABLE 36P	AH39-00049A	
CASSETTE DECK MECHANISM						
CM	2D	*	T42-1102-08	MOTOR ASSY	AH81-11052G	
MBA	2D	*	D16-0765-08	MAIN BELT(P/B)	AH81-10798T	
MBB	2D	*	D16-0764-08	MAIN BELT(R/P)	AH81-10798Q	
PF	2C,2D	*	D14-0814-08	PINCH-ROLLER ASSY	AH81-10798K	
PH	2C	*	T31-0080-08	PLAYBACK HEAD	AH81-10022E	
PR	2C,2D	*	D14-0815-08	PINCH-ROLLER ASSY	AH81-10798M	
RPH	2D	*	T39-0043-08	RECORD/PLAYBACK H	AH81-10798Y	
SB	2D	*	D16-0766-08	SUB BELT	AH81-10798U	

L : Scandinavia K : USA P : Canada R : Mexico C : China I : Malaysia
 Y : PX(Far East,Hawaii) T : England E : Europe G : Germany V : China(Shanghai)
 Y : AAFES(Europe) X : Australia Q : Russia H : Korea M : Other Areas Δ indicates safety critical components.

PARTS LIST

RXD-DV9

SPECIFICATIONS

[Amplifier section]

[for Europe and U.K.]

Rated output power during STEREO operation
 (DIN) 1 kHz, 0.7 % T.H.D. at 6 Ω.....68 W + 68 W
 Effective output power during SURROUND operation
 Front (1 kHz, 10 % T.H.D. at 6 Ω).....80 W + 80 W
 Center (1 kHz, 10 % T.H.D. at 4 Ω).....40 W
 Surround (1 kHz, 10 % T.H.D. at 4 Ω).....40 W + 40 W

[for other countries]

Rated output power during STEREO operation
 1 kHz, 0.7 % T.H.D. at 6 Ω.....70 W + 70 W
 Effective output power during SURROUND operation
 Front (1 kHz, 10 % T.H.D. at 6 Ω).....80 W + 80 W
 Center (1 kHz, 10 % T.H.D. at 4 Ω).....40 W
 Surround (1 kHz, 10 % T.H.D. at 4 Ω).....40 W + 40 W
 Input sensitivity / impedance
 VIDEO/MD..... 350 mV / 35 kΩ
 MIC (only some areas) 4.0 mV / 4.7 kΩ
 Output level / impedance
 VIDEO/MD.....350 mV / 6.7 kΩ
 SUPER WOOFER PREOUT2.0 V / 2.2 kΩ

[Tuner section]

FM tuner section
 Tuning frequency range..... 87.5 MHz ~ 108 MHz
 AM (MW) Tuner section
 Tuning frequency range531 kHz ~ 1,602 kHz
 LW Tuner section (for U.K. only)
 Tuning frequency range153 kHz ~ 279 kHz

[Cassette deck section]

Track 4-track, 2-channel stereo
 Recording system..... AC bias system
 (Frequency: 105 kHz)
 Heads
 TAPE A Playback head1
 TAPE B Playback / recording head1
 Erasing head1
 Fast winding timeApprox. 100 seconds (C-60 tape)

[DVD/CD/VIDEO CD player section]

Laser Semiconductor laser
 Wow & Flutter..... Less than unmeasurable Limit
 Video output format..... NTSC/PAL/SECAM
 VIDEO OUTPUT
 Composit video output level/impedance 1 Vp-p (75 Ω)
 S-video output
 Y output level/impedance 1 Vp-p (75 Ω)
 C output level/impedance
 NTSC..... 0.286 Vp-p (75 Ω)
 PAL..... 0.3 Vp-p (75 Ω)
 SECAM..... 0.3 Vp-p (75 Ω)
 Compression format.....MPEG1/MPEG2
 Digital output-15 dBm ~ 21 dBm
 (Wave length 660 mm)

[General]

Power consumption230 W
 DimensionsW: 270 mm
 H: 326 mm
 D: 360 mm
 Weight (net) 10.9 kg

Front Speakers (LS-DV9)

Enclosure Bass-reflex type (Magnetically shielded)
 Speaker configuration
 Woofer..... 160 mm, cone type
 Tweeter50 mm, cone type
 Super Tweeter25 mm, Piezo type
 Impedance..... 6 Ω
 Maximum input level 100 W
 DimensionsW: 220 mm
 H: 330 mm
 D: 297 mm
 Weight (net) 4.2 kg (1 piece)

Front Speakers (LS-DV10)

Enclosure Bass-reflex type (Magnetically shielded)
 Speaker configuration
 Woofer..... 130 mm, cone type x 2
 Tweeter65 mm, cone type x 2
 Super Tweeter25 mm, Piezo type
 Impedance..... 6 Ω
 Maximum input level 100 W
 DimensionsW: 235 mm
 H: 410 mm
 D: 292 mm
 Weight (net) 6.6 kg (1 piece)

Center Speakers (CRS-DV9)

Enclosure Bass-reflex type (Magnetically shielded)
 Speaker configuration 100 mm, cone type, Full Range
 Impedance..... 4 Ω
 Maximum input level 40 W
 DimensionsW: 261 mm
 H: 124mm
 D: 193mm
 Weight (net) 1.3 kg

Surround Speakers (CRS-DV9)

Enclosure Bass-reflex type
 Speaker configuration 100 mm, cone type, Full Range
 Impedance..... 4 Ω
 Maximum input level 40 W
 DimensionsW: 200 mm
 H: 98 mm
 D: 213 mm
 Weight (net) 950 g (1 piece)



KENWOOD follows a policy of continuous advancements in development. For this reason specifications may be changed without notice.
 • Sufficient performance may not be exhibited at extremely cold locations (where water freezes).

RXD-DV9

Note:

Component and circuit are subject to modification to insure best operation under differing local conditions. This manual is based on Europe (E) standard, and provides information on regional circuit modification through use of alternate schematic diagrams, and information on regional component variations through use of parts list.

KENWOOD CORPORATION

14-6, Dogenzaka 1-chome, Shibuya-ku, Tokyo, 150-8501 Japan

KENWOOD SERVICE CORPORATION

P.O. BOX 22745, 2201 East Dominguez St., Long Beach, CA 90801-5745, U.S.A.

KENWOOD ELECTRONICS CANADA INC.

6070 Kestrel Road, Mississauga, Ontario, Canada L5T 1S8

KENWOOD ELECTRONICS LATIN AMERICA S.A.

P.O. BOX 55-2791, Piso 6 plaza Chase, Cl. 47 y Aquilino de la Guardia Panama, Republic de Panama

KENWOOD ELECTRONICS BRASIL LTDA.

Av. Moema, 170-17, Andar-Cobertura "B", Ed. Maximum Service Center, 04077-020 Moema, São Paulo-SP-Brasil

KENWOOD ELECTRONICS U.K. LIMITED

KENWOOD House, Dwight Road, Watford, Herts., WD1 8EB., United Kingdom

KENWOOD ELECTRONICS BELGUM N.V.

Meachelsesteenweg 418, B-1930 Zaventem, Belgium

KENWOOD ELECTRONICS DEUTSCHLAND GMBH

Rembrücker Str. 15, 63150 Heusenstamm, Germany

KENWOOD ELECTRONICS FRANCE S.A.

13 Boulevard Ney, 75018 Paris, France

KENWOOD ELECTRONICS ITALIA S.p.A.

Via G. Sirtori, 7/9 20129, Milano, Italy

KENWOOD IBÉRICA S.A.

Bolivia, 239-08020 Barcelona, Spain

KENWOOD ELECTRONICS AUSTRALIA PTY. LTD.

(A.C.N. 001 499 074)

16 Giffnock Avenue, North Ryde, N.S.W. 2113, Australia

KENWOOD ELECTRONICS (HONG KONG) LTD.

Unit 3712-3724, Level 37, Tower 1, Metroplaza, 223 Hing Fong Road, Kwai Fong N.T., Hong Kong

KENWOOD ELECTRONICS GULF FZE

P.O. Box 61318, Jebel Ali, Dubai, U.A.E.

KENWOOD ELECTRONICS SINGAPORE PTE LTD.

No. 1 Genting Lane #02-02, KENWOOD Building, Singapore, 349544

KENWOOD ELECTRONICS (MALAYSIA) SDN BHD.

#4.01 Level 4, Wisma Academy Lot 4A, Jalan 19/1 46300 Petaling Jaya Selangor Darul Ehsan Malaysia

KENWOOD ELECTRONICS (THAILAND) CO., LTD.

2019 New Pechburi Road, Bangkapi, Huaykwang, Bangkok, 10320 Thailand