

UD COMPONENT SYSTEM/COMPACT HI-FI SYSTEM  
**RXD-G3/G4/G5/G31/G51**  
**SERVICE MANUAL**  
 (UD-305/315/405/505/515)

**KENWOOD**

For Service Manuals Contact  
**MAURITRON TECHNICAL SERVICES**  
 8 Cherry Tree Rd, Chinnor  
 Oxon OX9 4QY  
 Tel: 01844-351694 Fax: 01844-352554  
 Email: enquiries@mauritron.co.uk

© 1996-2/B51-5149-00 (K/K) 4202

For Service Manuals Contact  
**MAURITRON TECHNICAL SERVICES**  
 8 Cherry Tree Rd, Chinnor  
 Oxon OX9 4QY  
 Tel: 01844-351694 Fax: 01844-352554  
 Email: enquiries@mauritron.co.uk

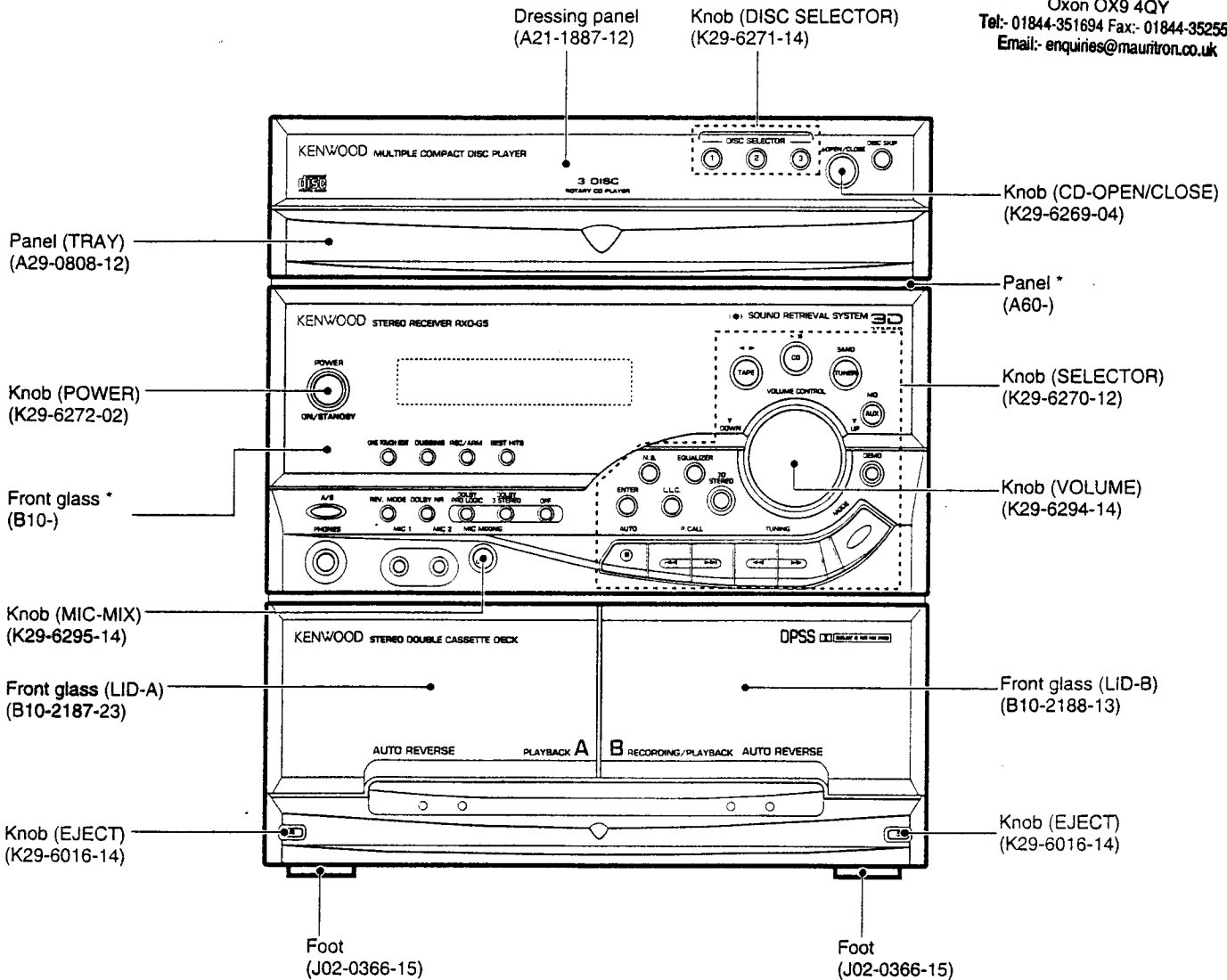
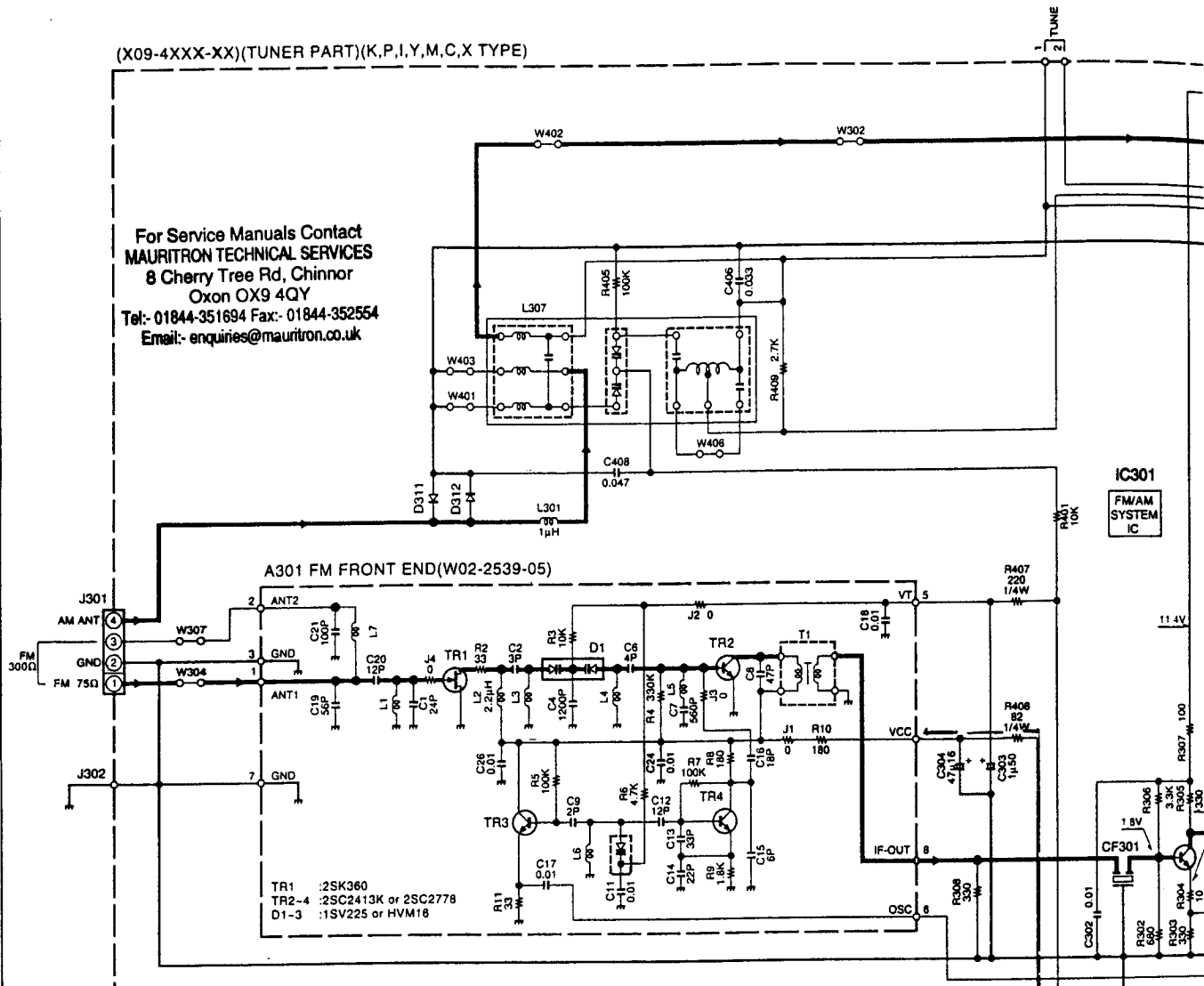


Illustration is RXD-G5.

\* Refer to parts list on page 63.

(X09-4XXX-XX)(TUNER PART)(K,P,I,Y,M,C,X TYPE)

For Service Manuals Contact  
**MAURITRON TECHNICAL SERVICES**  
 8 Cherry Tree Rd, Chinnor  
 Oxon OX9 4QY  
 Tel: 01844-351694 Fax: 01844-352554  
 Email: enquiries@mauritron.co.uk



A301 FM FRONT END(W02-2539-05)

TR1 :2SK360  
 TR2-4 :2SC2413K or 2SC2778  
 D1-3 :1SV225 or HVM18

RXD-G3 (X09-413X-XX)

DESTINATION	UNIT No.	Q315, 316	R373-378	C387, 388	C311, 312	S301	W334
K							
P	0-11	NO	NO	NO	0.022	NO	NO
Y							
M	0-21	YES	YES	YES	0.012	YES	YES
I							
C	3-01	NO	NO	NO		NO	NO
X	0-71	NO	NO	NO		NO	NO

RXD-G4 (X09-432X-XX)

DESTINATION	UNIT No.	Q315, 316	R373-378	C387, 388	C311, 312	S301	W334
K							
P	0-11	NO	NO	NO	0.022	NO	NO
Y							
M	0-21	YES	YES	YES	0.012	YES	YES
I							
C	3-01	NO	NO	NO		NO	NO
X	0-71	NO	NO	NO		NO	NO

RXD-G5 (X09-445X-XX)

DESTINATION	UNIT No.	Q315, 316	R373-378	C387, 388	C311, 312	S301	W334
K							
P	0-10	NO	NO	NO	0.022	NO	NO
Y							
M	0-21	YES	YES	YES	0.012	YES	YES
I							
C	3-01	NO	NO	NO		NO	NO
X	0-71	NO	NO	NO		NO	NO

RXD-G31

DESTINATION	UNIT No.	Q315, 316	R373-378	C387, 388	C311, 312	S301	W334
M	0-22	YES	YES	YES	0.012	YES	YES
I							
C	3-01	NO	NO	NO		NO	NO

(X09-)

IC301 : BA1450S  
 IC302 : LC72131  
 IC303 : NJM4565D  
 Q301 : 2SC2714(R.O)  
 Q302,307 : 2SB1218A(Q.R) or 2SA1578A(R.S)  
 Q304-306,315,316 : 2SD1819A(Q.R) or 2SC4081(R.S)

D301 : MTZJ6.8(B) or UZ-6.8BSB  
 D302,308,311,312 : 1SS133 or HSS104  
 D308 : MTZJ5.1(B) or UZ-5.1BSB  
 D315 : MTZJ3.3(B) or UZ-3.3BSB

DESTINATION	COUNTRY	ABB
	U.S.A.	K
	CANADA	P
	PX	Y
GENERAL MARKET		M
	MALAYSIA	I
	CHINA	C
	AUSTRALIA	X

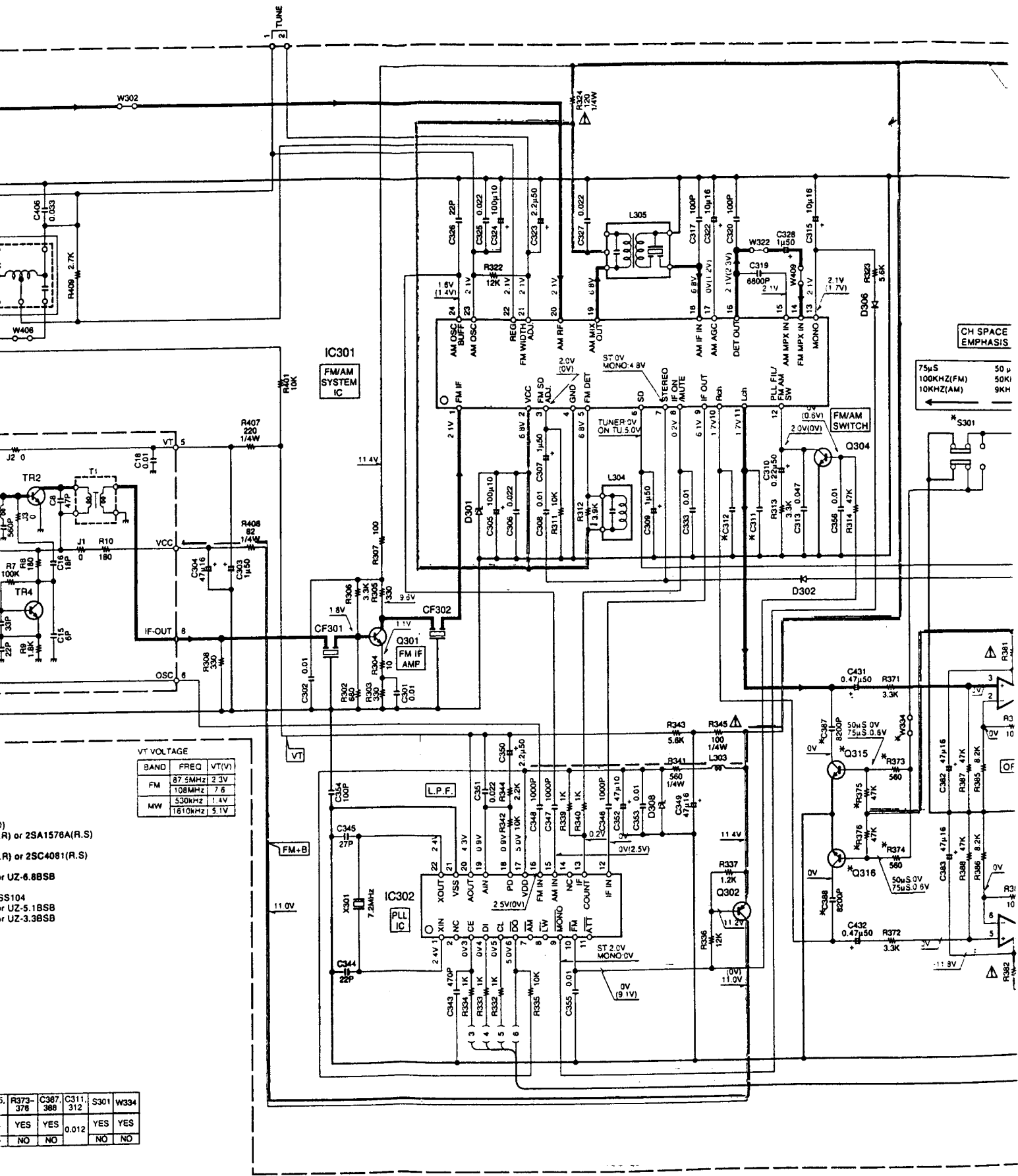
RXD-G51 (X09-445X-XX)

DESTINATION	UNIT No.	Q315, 316	R373-378	C387, 388	C311, 312	S301	W334
M	0-22	YES	YES	YES	0.012	YES	YES
I							
C	3-02	NO	NO	NO		NO	NO

BAND	FREQ	VT(V)
FM	87.5MHz	2.3V
	108MHz	7.6
MW	530kHz	1.4V
	1610kHz	5.1V

**CAUTION:** For continued safety, replace safety critical components only with manufacturer's recommended parts (refer to parts list).  $\Delta$  indicates safety critical components. For continued protection against risk of fire, replace only with same type and rating fuse(s). To reduce the risk of electric shock, leakage-current or resistance measurements shall be carried out (exposed parts are acceptably insulated from the supply circuit) before the appliance is returned to the customer.

The DC voltage is an actual real voltmeter as the AM/FM signal generator the list below. The measurement instruments used or on the product measured in the AM mode.



VT VOLTAGE

BAND	FREQ	VT(V)
FM	87.5MHZ	2.3V
	108MHZ	7.6
MW	530KHZ	1.4V
	1610KHZ	5.1V

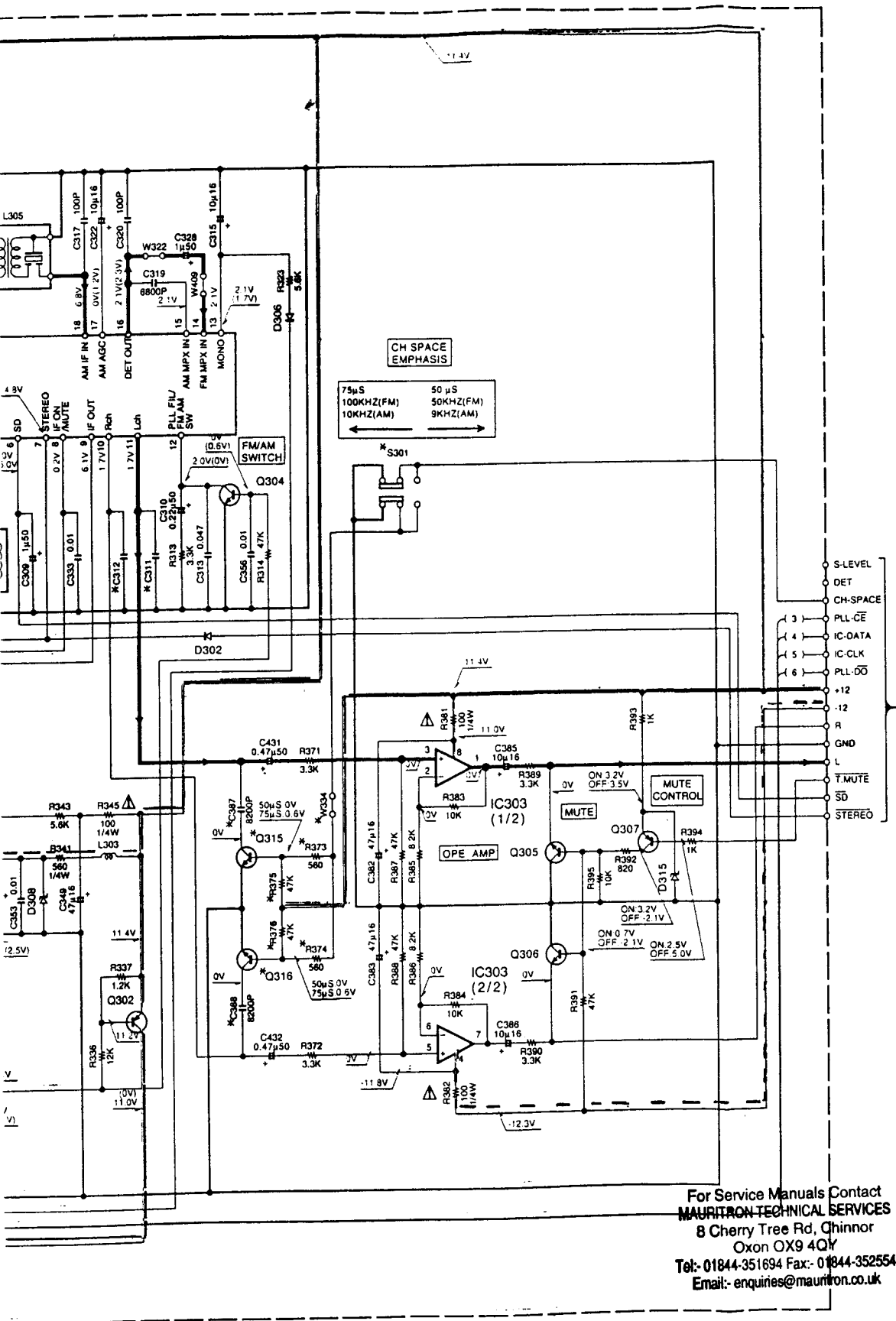
CH SPACE EMPHASIS

75µS	50µ
100KHZ(FM)	50K
10KHZ(AM)	9KH

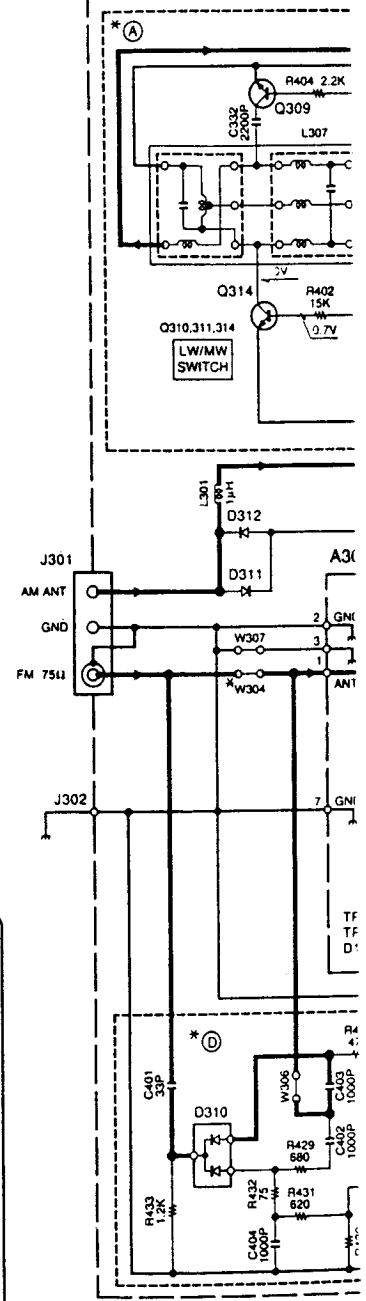
- ( ) or 2SA1576A(R.S)
  - ( ) or 2SC4081(R.S)
  - or UZ-6.8BSB
  - GS104
  - or UZ-5.1BSB
  - or UZ-3.3BSB
- | 5, R373-376 | C387-388 | C311, 312 | S301 | W334 |
|-------------|----------|-----------|------|------|
| YES         | YES      | 0.012     | YES  | YES  |
| NO          | NO       |           | NO   | NO   |

The DC voltage is an actual reading measured with a high impedance type voltmeter as the AM/FM signal generator is specified to the conditions as shown in the list below. The measurement value may vary depending on the measuring instruments used or on the product. The value shown in ( ) is actual reading measured in the AM mode.

MODE	CARRIER	MODU	
		FREQUENCY	
FM	98MHz	1kHz	STERI
AM	1000(999)kHz	400Hz	MONC



(X09-43XX-XX)(TUNER PART)



RXD-G3 (X09-431X-XX)					
DESTINATION	UNIT No.	A	B	C	D
COUNTRY ABB	2-71	NO	YES	NO	NO
EUROPE E	0-51	YES	NO	NO	NO
U.K.					

RXD-G4 (X09-432X-XX)					
DESTINATION	UNIT No.	A	B	C	D
COUNTRY ABB	2-71	NO	YES	YES	YES
EUROPE E	0-51	YES	NO	NO	NO
U.K.					

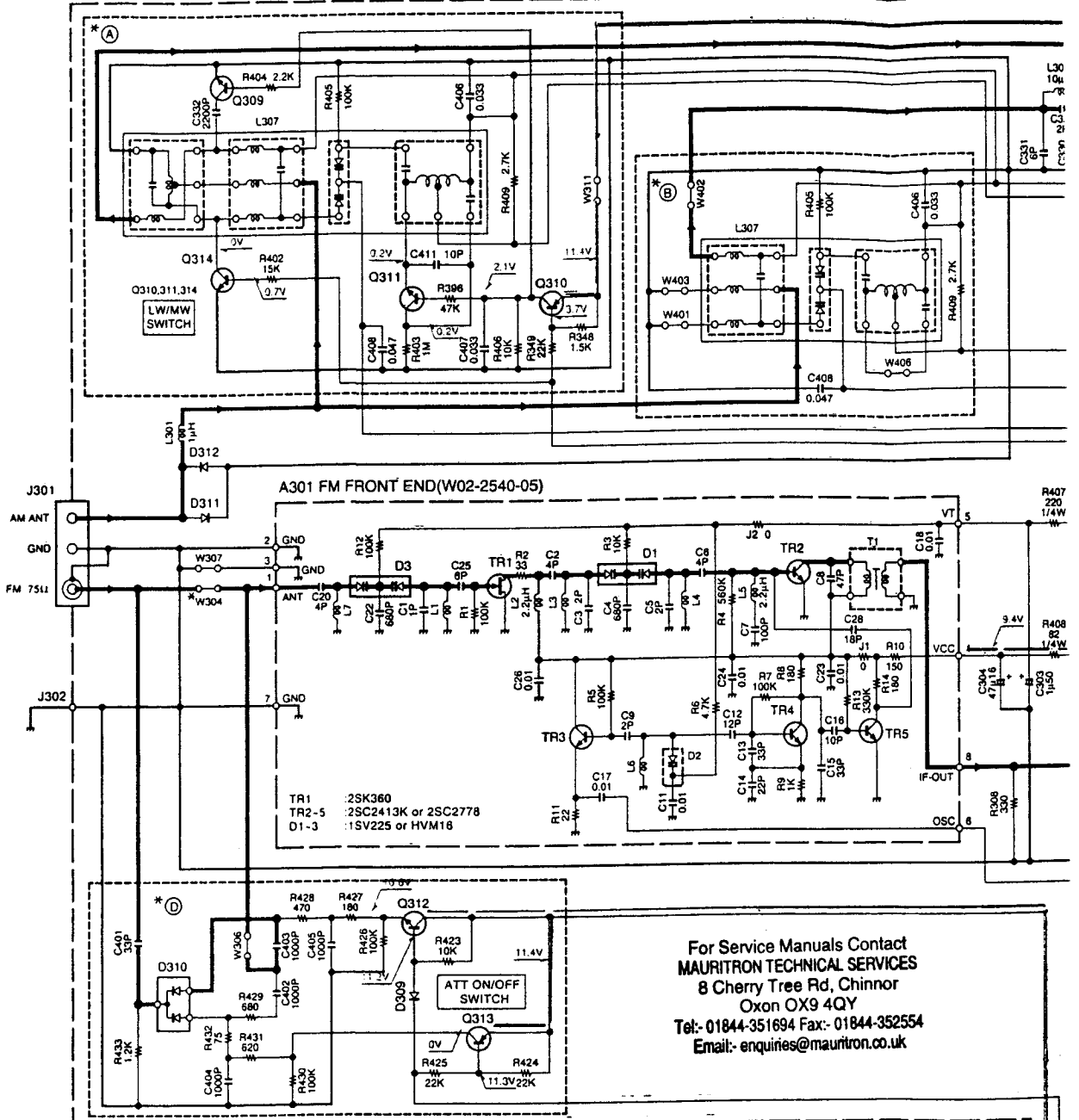
RXD-G5 (X09-445X-XX)					
DESTINATION	UNIT No.	A	B	C	D
COUNTRY ABB	2-71	NO	YES	YES	YES
EUROPE E	0-51	YES	NO	NO	NO
U.K.					

For Service Manuals Contact  
**MAURITRON TECHNICAL SERVICES**  
 8 Cherry Tree Rd, Qhinnor  
 Oxon OX9 4QY  
 Tel: 01844-351694 Fax: 01844-352554  
 Email: enquiries@mauritron.co.uk

nce type  
 shown in  
 measuring  
 l reading

MODE	CARRIER	MODULATION		ANT INPUT
		FREQUENCY	DEVIATION	
FM	98MHz	1kHz	STEREO 67.5kHz 7.5kHz(Pilot)	60dB
AM	1000(999)kHz	400Hz	MONO 30% MOD	60dB

(X09-43XX-XX)(TUNER PART)(T.E TYPE)



- S-LEVEL
- DET
- CH-SPACE
- PLL-CE
- IC-DATA
- IC-CLK
- PLL-OO
- +12
- 12
- R
- GND
- L
- T.MUTE
- SD
- STEREO

For Service Manuals Contact  
**MAURITRON TECHNICAL SERVICES**  
 8 Cherry Tree Rd, Chinnor  
 Oxon OX9 4QY  
 Tel:- 01844-351694 Fax:- 01844-352554  
 Email:- enquiries@mauritron.co.uk

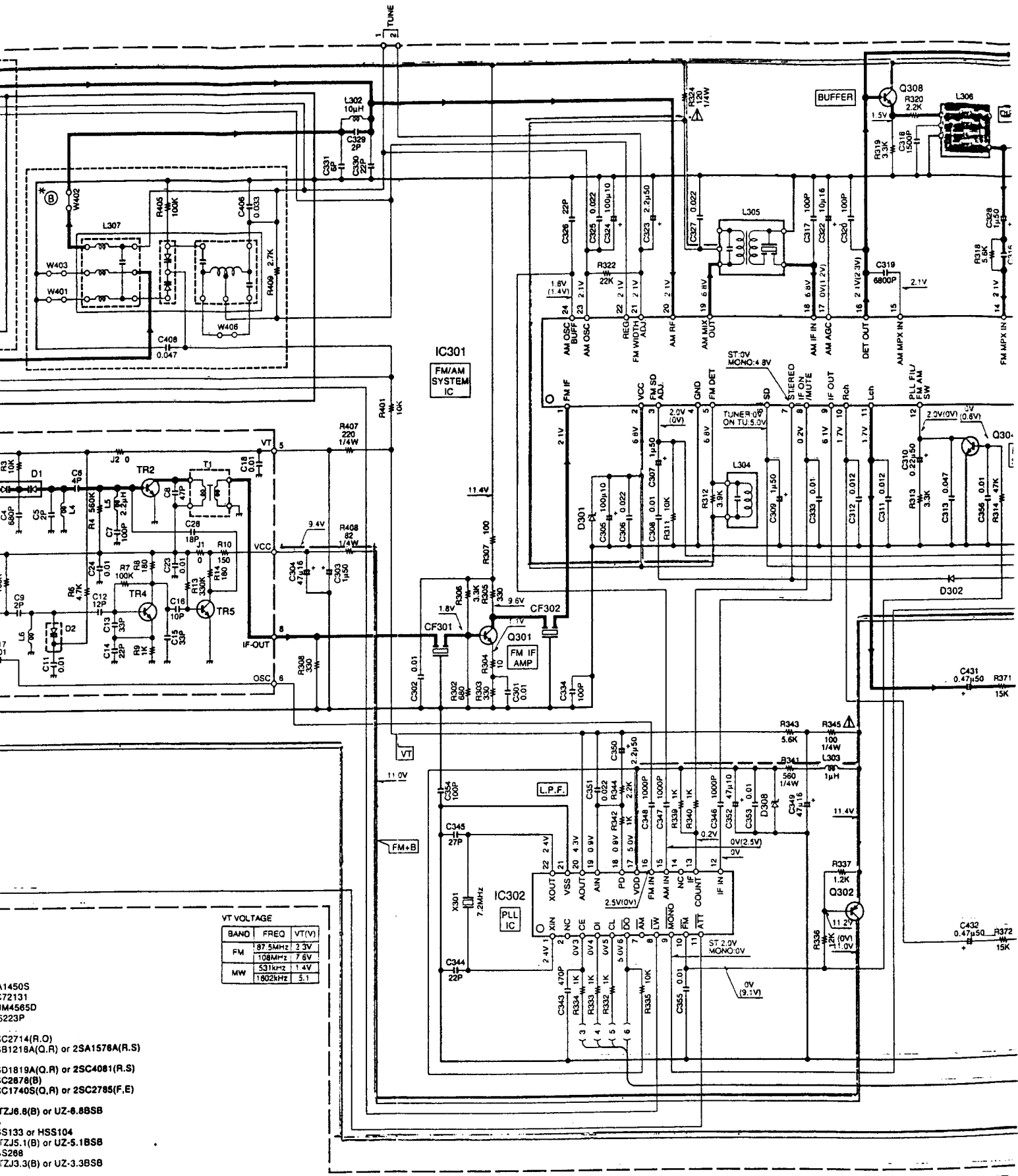
VT VOLTAGE		
BAND	FREQ	VT(V)
FM	87.5MHz	2.3V
	108MHz	7.6V
MW	531kHz	1.4V
	1802kHz	5.1V

RXD-G3 (X09-431X-XX)							
DESTINATION	COUNTRY/ABB	UNIT No.	(A)	(B)	(C)	(D)	W304
EUROPE	E	2-71	NO	YES	NO	NO	NO
U.K.	Y	0-51	YES	NO	NO	NO	YES

RXD-G4 (X09-432X-XX)							
DESTINATION	COUNTRY/ABB	UNIT No.	(A)	(B)	(C)	(D)	W304
EUROPE	E	2-71	NO	YES	YES	YES	NO
U.K.	Y	0-51	YES	NO	NO	NO	NO

RXD-G5 (X09-445X-XX)							
DESTINATION	COUNTRY/ABB	UNIT No.	(A)	(B)	(C)	(D)	W304
EUROPE	E	2-71	NO	YES	YES	YES	NO
U.K.	Y	0-51	YES	NO	NO	NO	NO

- (X09- )
- IC301 : BA1450S
  - IC302 : LC72131
  - IC303 : NJM4565D
  - IC305 : MS223P
  - Q301 : 2SC2714(R,O)
  - Q302,307,310,313 : 2SB1218A(Q,R) or 2SA1576A(R,S)
  - Q304-306,308,309,312 : 2SD1819A(Q,R) or 2SC4081(R,S)
  - Q311 : 2SC2878(B)
  - Q314 : 2SC1740S(Q,R) or 2SC2785(F,E)
  - D301 : MTZJ6.8(B) or UZ-6.8BSB
  - D302,306,309,311,312,314 : 1SS133 or HSS104
  - D308 : MTZJ5.1(B) or UZ-5.1BSB
  - D310 : 1SS268
  - D315 : MTZJ3.3(B) or UZ-3.3BSB



VT VOLTAGE

BAND	FREQ	VT(V)
FM	87.5MHz	3.3V
	108MHz	7.6V
MW	531kHz	1.4V
	1602kHz	5.1

- IC2714 (R.O)
- IC1819A (Q.R) or 25A1576A (R.S)
- IC2878 (B)
- IC1740S (Q.R) or 25C2785 (F.E)
- IC17J6.6 (B) or UZ-6.6BSB
- IC17J5.1 (B) or UZ-5.1BSB
- IC17J3.3 (B) or UZ-3.3BSB

C432 0.47µ50 R372 15K

C431 0.47µ50 R371 15K

C310 0.22µ50

C318 1500P R318 5.8K

C319 6800P

C308 2.2K

BUFFER

IC301  
FM/AM SYSTEM IC

Q301  
FM IF AMP

IC302  
PLL IC

X301  
7.2MHz

L.P.F.

FM+B

Q302

Q308

L306

Q309

L305

Q307

L304

Q306

Q305

Q304

Q303

Q302

Q301

Q300

Q299

Q298

Q297

Q296

Q295

Q294

Q293

Q292

Q291

Q290

Q289

Q288

Q287

Q286

Q285

Q284

Q283

Q282

Q281

Q280

Q279

Q278

Q277

Q276

Q275

Q274

Q273

Q272

Q271

Q270

Q269

Q268

Q267

Q266

Q265

Q264

Q263

Q262

Q261

Q260

Q259

Q258

Q257

Q256

Q255

Q254

Q253

Q252

Q251

Q250

Q249

Q248

Q247

Q246

Q245

Q244

Q243

Q242

Q241

Q240

Q239

Q238

Q237

Q236

Q235

Q234

Q233

Q232

Q231

Q230

Q229

Q228

Q227

Q226

Q225

Q224

Q223

Q222

Q221

Q220

Q219

Q218

Q217

Q216

Q215

Q214

Q213

Q212

Q211

Q210

Q209

Q208

Q207

Q206

Q205

Q204

Q203

Q202

Q201

Q200

Q199

Q198

Q197

Q196

Q195

Q194

Q193

Q192

Q191

Q190

Q189

Q188

Q187

Q186

Q185

Q184

Q183

Q182

Q181

Q180

Q179

Q178

Q177

Q176

Q175

Q174

Q173

Q172

Q171

Q170

Q169

Q168

Q167

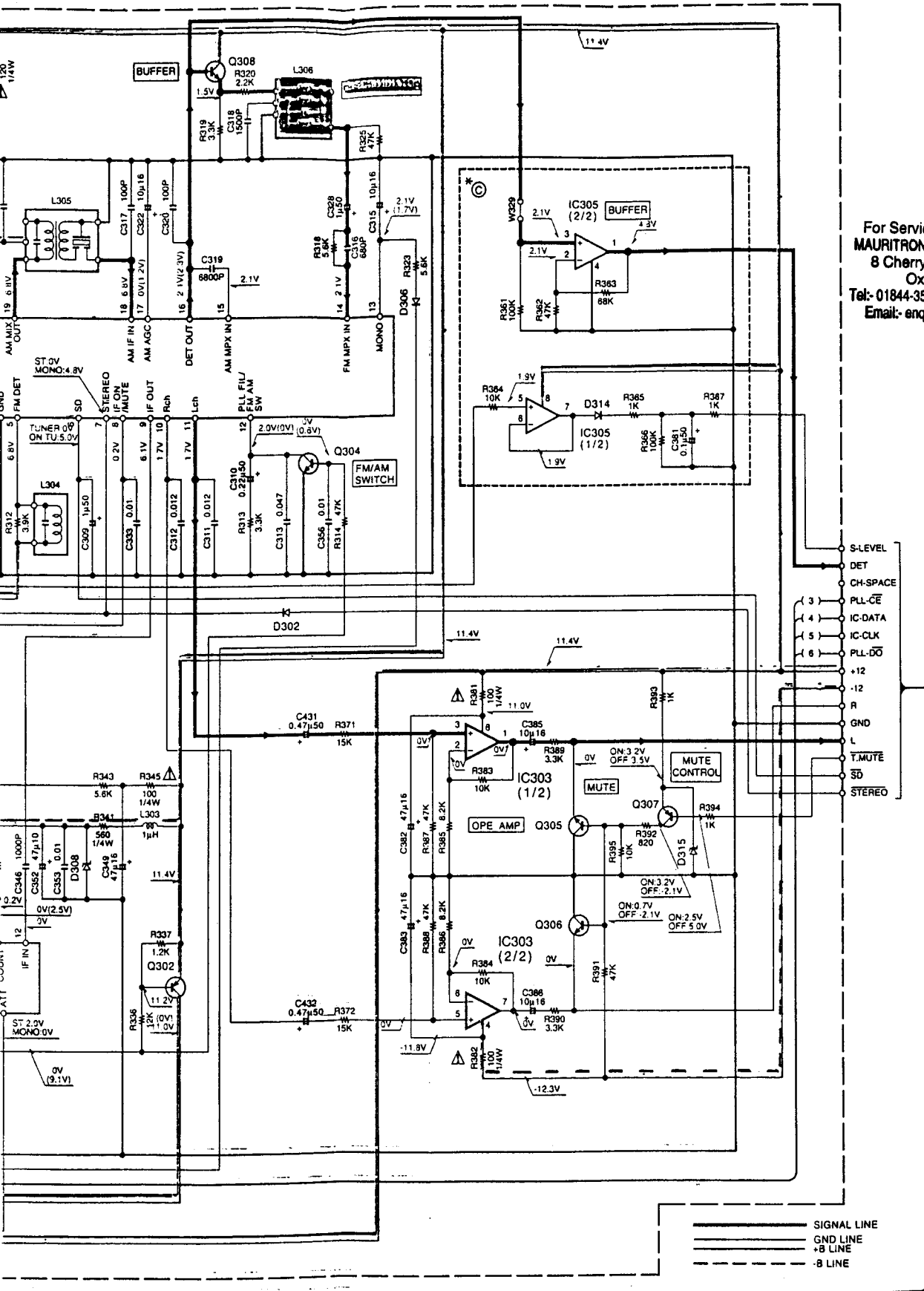
Q166

Q165

Q164

Q163

Q162



For Service Manuals Contact  
**MAURITRON TECHNICAL SERVICES**  
 8 Cherry Tree Rd, Chinnor  
 Oxon OX9 4QY  
 Tel: 01844-351694 Fax: 01844-352554  
 Email: enquiries@maurtron.co.uk

RXD-G3/G4/G5/G31/G51(K)(1/6)

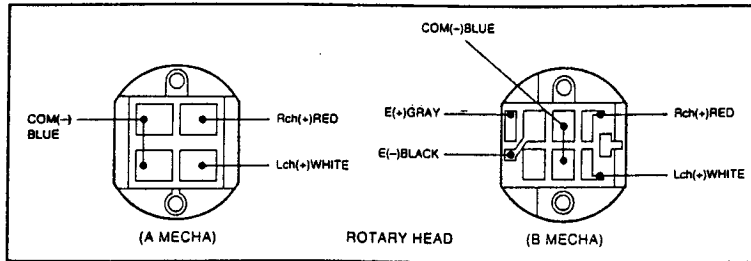
# RXD-G3/G4/G5/G31/G51

Y39-2300-00

## KENWOOD

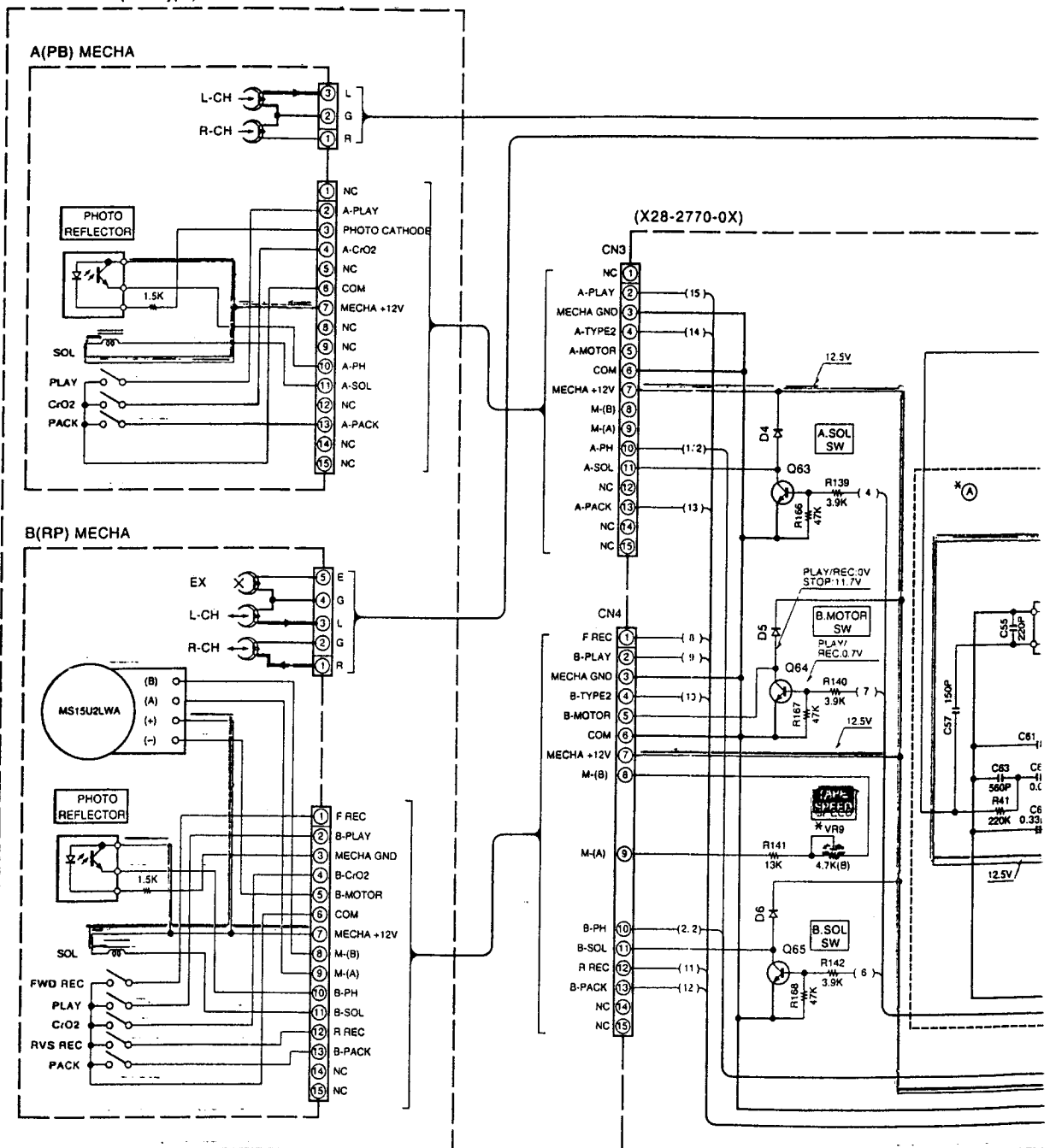
For Service Manuals Contact  
**MAURITRON TECHNICAL SERVICES**  
 8 Cherry Tree Rd, Chinnor  
 Oxon OX9 4QY  
 Tel: 01844-351694 Fax: 01844-352554  
 Email: enquiries@mauritron.co.uk

MODEL NAME	UNIT No.	A	C17, 18	C111, 112	C107	C113	R110	R127	R130, 131	R132, 133	W
RXD-G3	X28-2770-00	NO	YES	3300P	8200P/100	2.2u50	YES	82K	5.8/14W	33K	Y
RXD-G4	X28-2770-01	YES	NO	5800P	0.01u/100	4.7u35	NO	120K	10/14W	22K	F



(X28-  
 IC1,2  
 IC3  
 IC4  
 IC5  
 IC6,7  
 Q1,2,5  
 Q52,5f  
 Q54,5e  
 Q58  
 Q60  
 Q63-6  
 D1,2,4  
 D7

DECK MECHA (RVS type) D40-1427-08





MODEL NAME	UNIT No.	A	C17, 18	C111, 112	C107	C113	R110	R127	R130, 131	R132, 133	VR5,6	L9	VR9
RXD-G3 RXD-G3T	X28-2770-00	NO	YES	3300P	8200P 100	2.2u50	YES	82K	5.6 1/4W	33K	YES	L32-0542-05	R12-1819-05
RXD-G4 RXD-G5 RXD-G5T	X28-2770-01	YES	NO	5000P	0.01u 100	4.7u35	NO	120K	10 1/4W	22K	NO	L32-0570-05	R32-0038-05

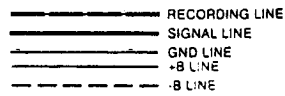
(X28-)

- IC1,2 : TA8125S
- IC3 : HA12182F
- IC4 : μPC1287CA
- IC5 : BA10393
- IC6,7 : BU4094BC

- Q1,2,51,61 : DTC124ES or UN4212
- Q52,56,57,59 : 2SC2785(F.E) or 2SC1740S(Q.R)

- Q54,55 : 2SC1845(F.E)
- Q58 : 2SC3940A(F.S)
- Q60 : 2SA992(F.E)
- Q63-65 : 2SC3246

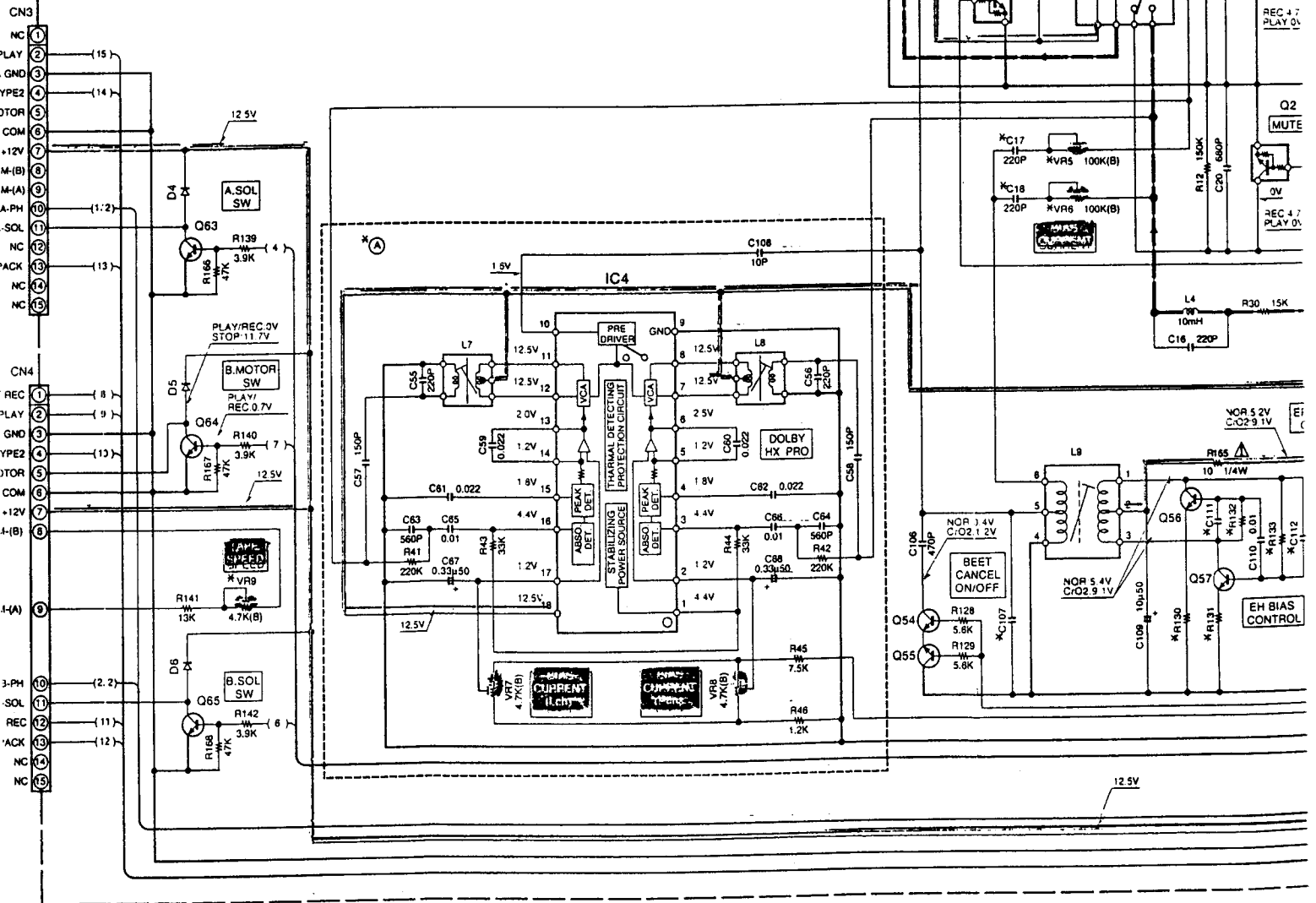
- D1,2,4-6 : 1SS133 or HSS104
- D7 : UZ-2.7BSB or MTJZ2.7(B)

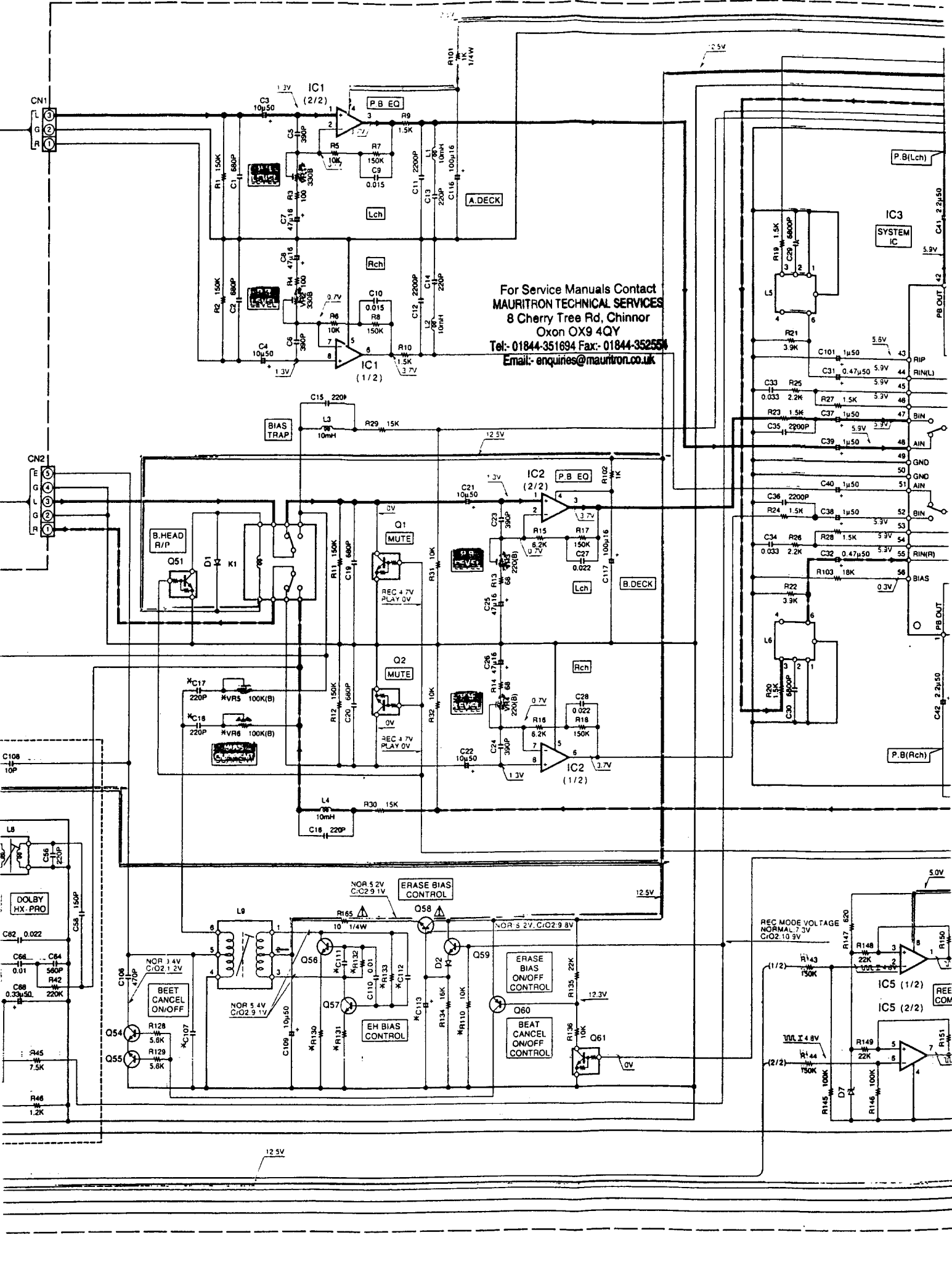


→)RED

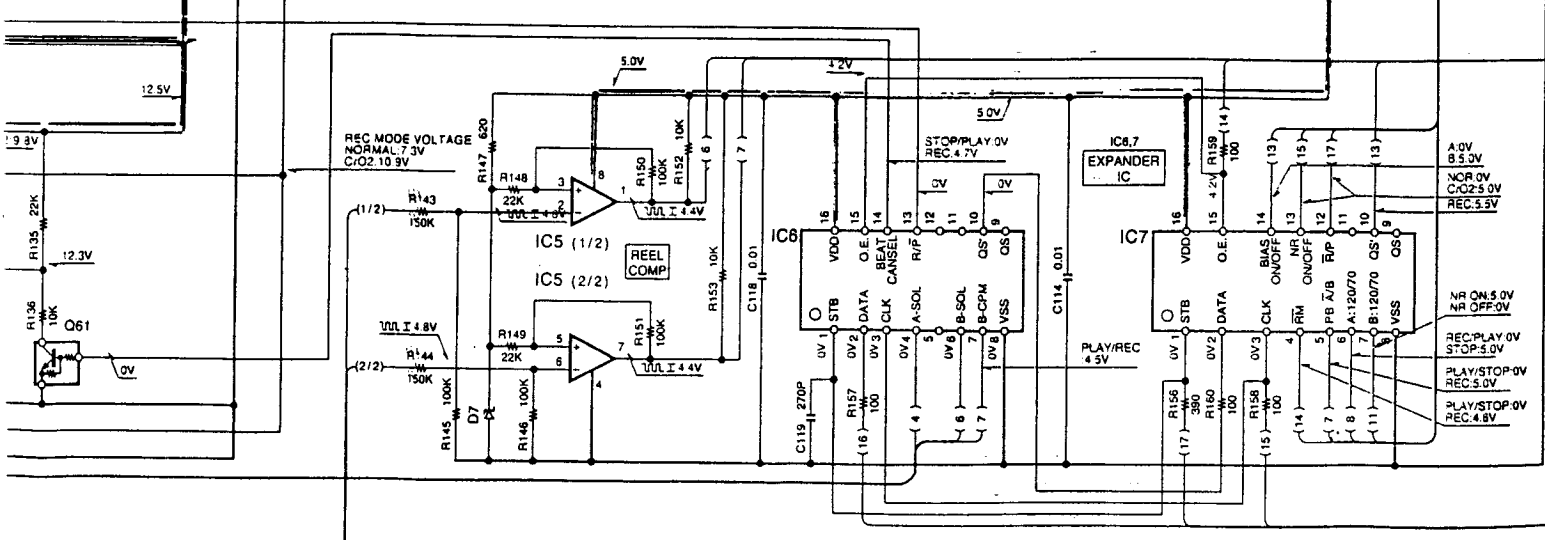
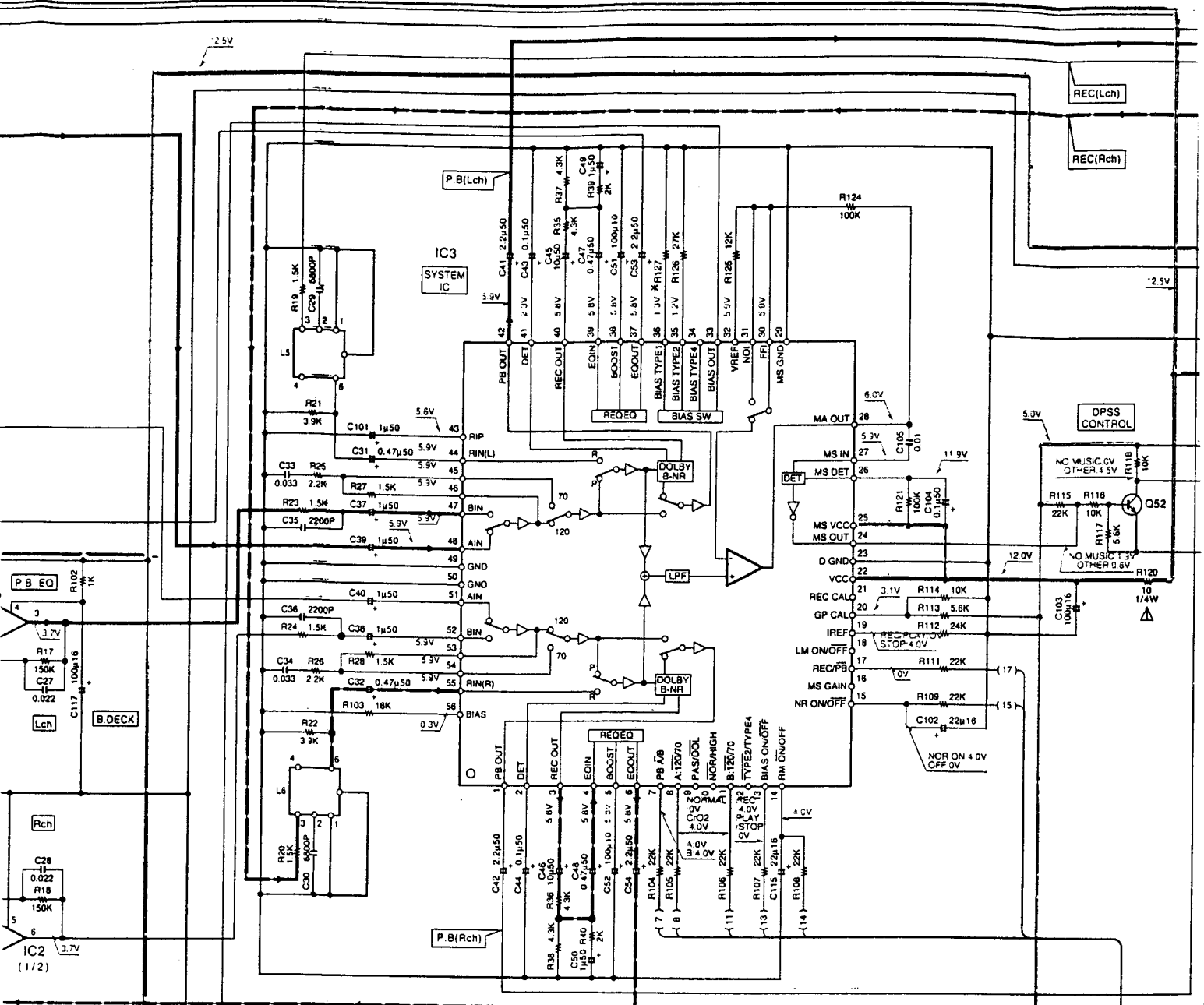
→)WHITE

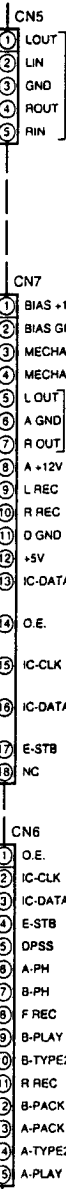
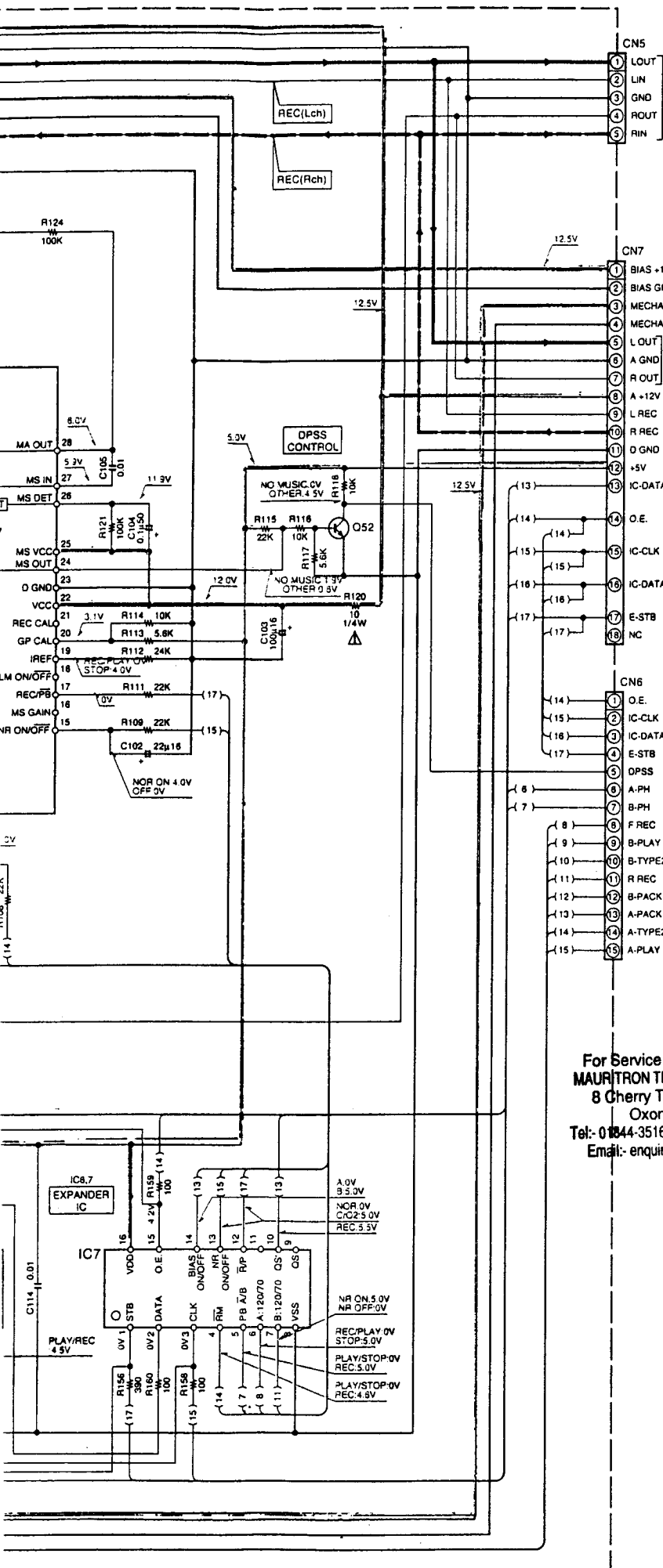
(X28-2770-0X)



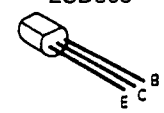


For Service Manuals Contact  
**MAURITRON TECHNICAL SERVICES**  
 8 Cherry Tree Rd, Chinnor  
 Oxon OX9 4QY  
 Tel: 01844-351894 Fax: 01844-352554  
 Email: enquires@mauritron.co.uk

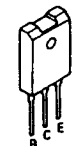




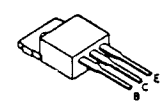
- 2SA1286
- 2SA954
- 2SA992
- 2SC1845
- 2SC2003
- 2SC2878
- 2SC3246
- 2SC3940A
- 2SD863



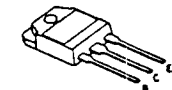
2SD1894



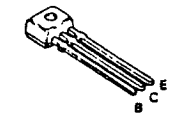
2SB1565



2SB1624  
2SD2493



2SA1175  
2SC2785

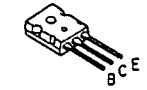


For Service Manuals Contact  
**MAURITRON TECHNICAL SERVICES**  
 8 Cherry Tree Rd, Chinnor  
 Oxon OX9 4QY  
 Tel:- 01844-351694 Fax:- 01844-352554  
 Email:- enquiries@mauritron.co.uk

DTC124EU  
 2SA1576  
 2SB1218A2  
 SC2714  
 2SC4081  
 2SD1819A



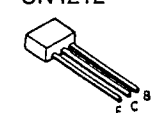
2SC4137F50



2SB1370



UN4212

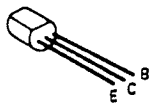


**CAUTION:** For continued safety, replace safety critical components only with manufacturer's recommended parts (refer to parts list).  $\Delta$  indicates safety critical components. For continued protection against risk of fire, replace only with same type and rating fuse(s). To reduce the risk of electric shock, leakage-current or resistance measurements shall be carried out (exposed parts are acceptably insulated from the supply circuit) before the appliance is returned to the customer.

The DC voltage is an actual reading measured with a high impedance type voltmeter with a cassette loaded at playback mode. The measurement value may vary depending on the measuring instruments used or on the product. Bias circuit DC voltage is measured while in the record mode.

DOLBY and the double-D symbol are trademarks of Dolby Laboratories Licensing Corporation. Noise reduction circuit made under license from Dolby Laboratories Licensing Corporation.

2SA1286  
2SA954  
2SA992  
2SC1845  
2SC2003



2SC2878  
2SC3246  
2SC3940A  
2SD863

2SB1375



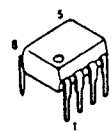
2SD1893



2SB1559  
2SD2389



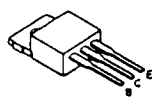
NJM2100D  
NJM4565D



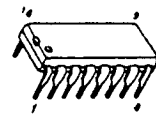
2SD1894



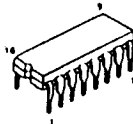
2SB1565



XRU4052BC



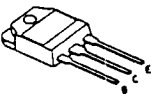
TC74HC166AP



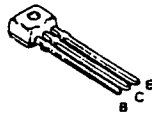
TA8125S  
TA8409S



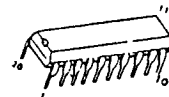
2SB1624  
2SD2493



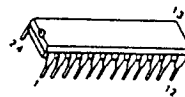
2SA1175  
2SC2785



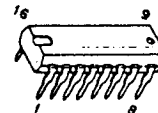
TDA7309



BA1450S



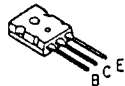
BU4094BC  
SAA6579



DTC124EU  
2SA1576  
2SB1218A2  
2SC2714  
2SC4081  
2SD1819A



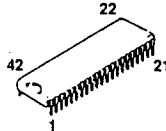
2SC4137F50



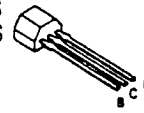
BA10393  
M5223P



LA2785L  
TDA7431



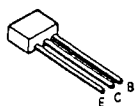
DTA124ES  
DTC124ES  
UN4112  
2SA933S  
2SC1740S



2SB1370



UN4212



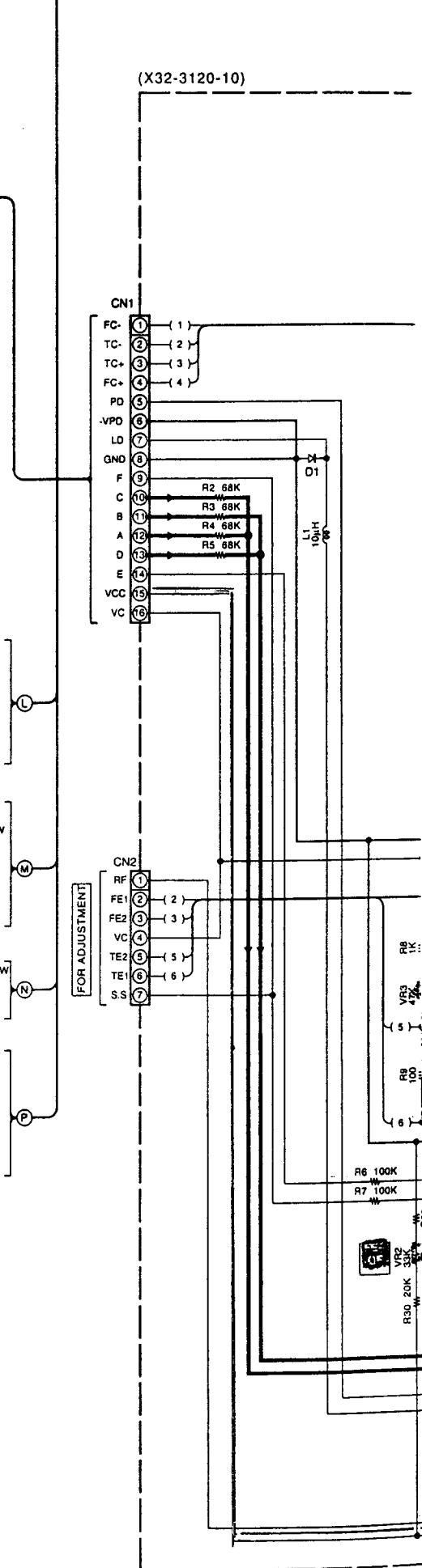
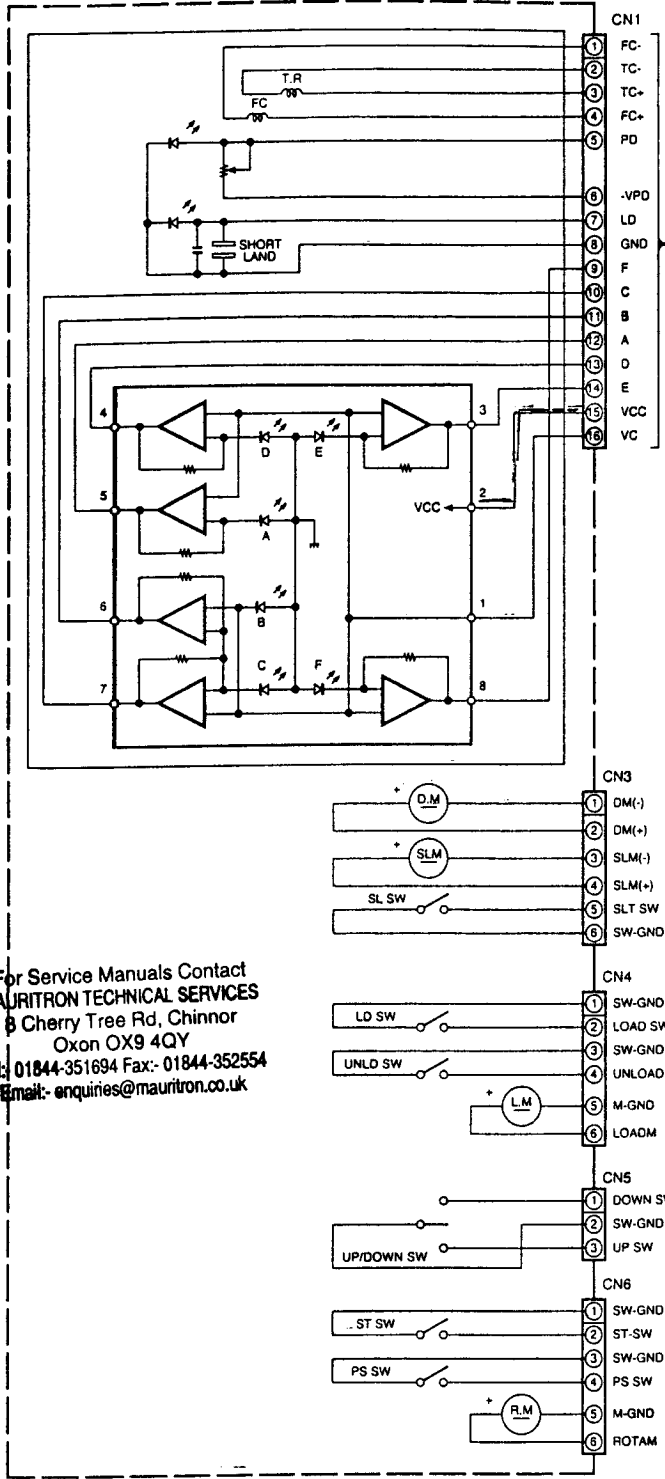
For Service Manuals Contact  
**MAURITRON TECHNICAL SERVICES**  
8 Cherry Tree Rd, Chinnor  
Oxon OX9 4QY  
Tel: 01844-351694 Fax: 01844-352554  
Email: enquiries@mauritron.co.uk

Y39-2300-00

**RXD-G3/G4/G5/G31/G51**

**KENWOOD**

CD CHANGER MECHA.  
(D40-1455-X5)

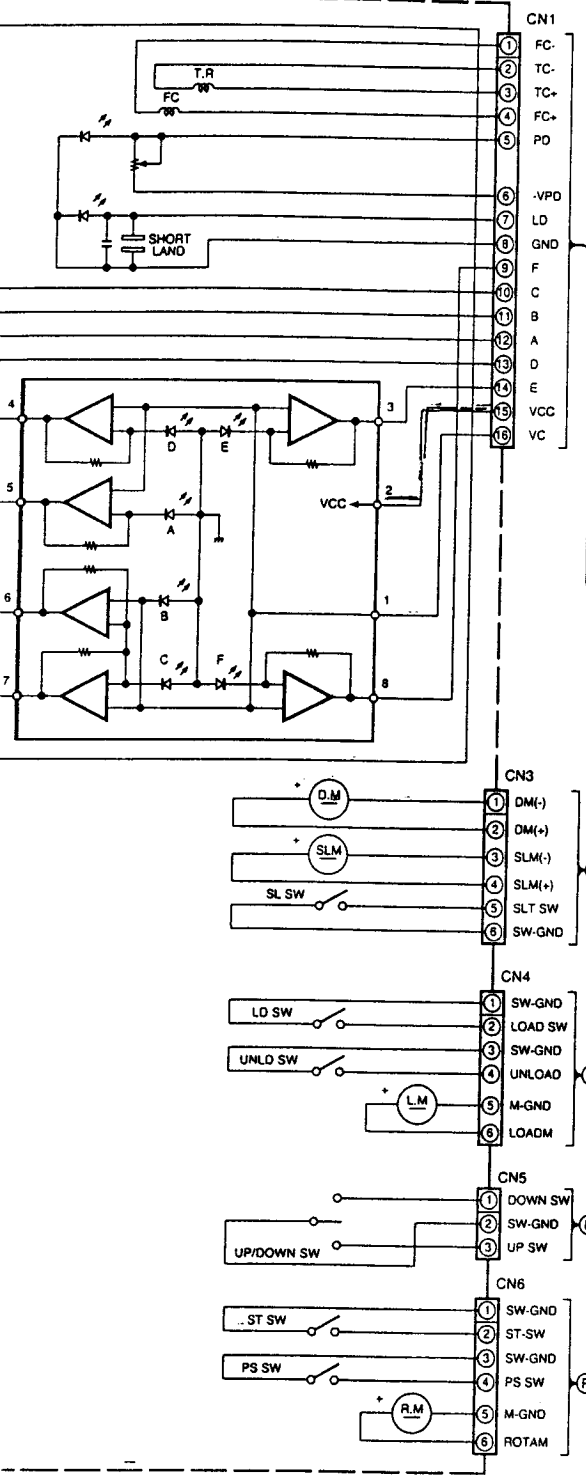


For Service Manuals Contact  
**MAURITRON TECHNICAL SERVICES**  
 8 Cherry Tree Rd, Chinnor  
 Oxon OX9 4QY  
 Tel: 01844-351694 Fax: 01844-352554  
 Email: enquiries@mauritron.co.uk

- |                   |                                      |
|-------------------|--------------------------------------|
| IC1 : CXA1782BQ*1 | D1-6 : 1SS133 or HSS104              |
| IC2 : CXD2508AQ*1 | D7 : UZ-3.3BSB or MTZ3.3(B)          |
| IC3 : LA6537      |                                      |
| IC4,5 : TA8409S   | Q1,5 : 2SC2785(F,E) or 2SC1740S(Q,R) |
| IC6 : BU4094BC    | Q2,4 : 2SA954(L,K)                   |
| IC7 : NJM2100D    | Q3 : DTA124ES or UN4112              |
| IC8 : M5237L      | Q6 : 2SA1286                         |
| IC9 : TC74HC166AP | Q7,13 : DTC124ES or UN4212           |
|                   | Q8 : 2SB1565(E,F) or 2SB1375         |
|                   | Q9,10 : 2SA1175(F,E) or 2SA933S(Q,R) |
|                   | Q11,12 : 2SC2878(B)                  |

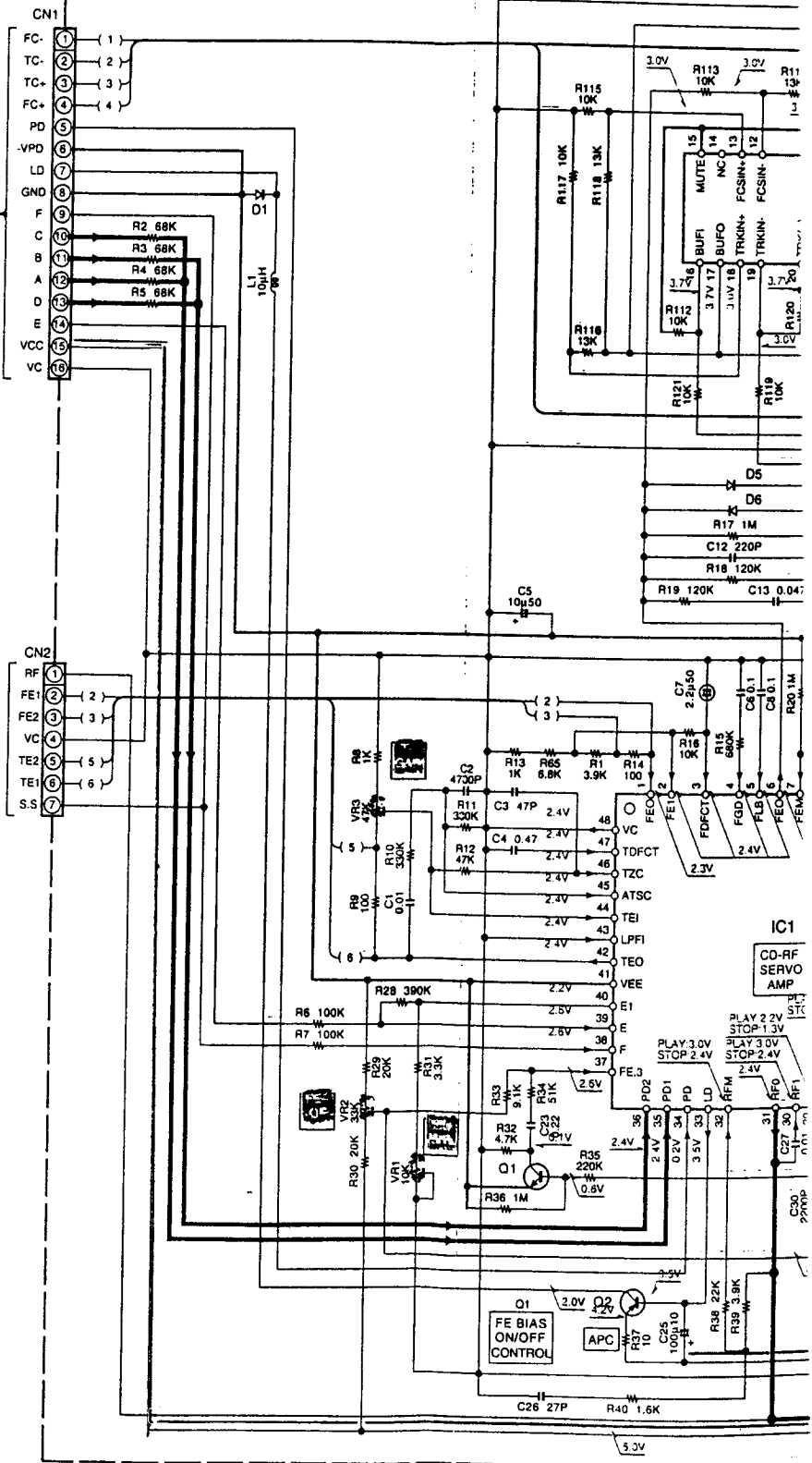
1  
2  
3  
4  
5  
6  
7

INGER MECHA.  
(5-5)



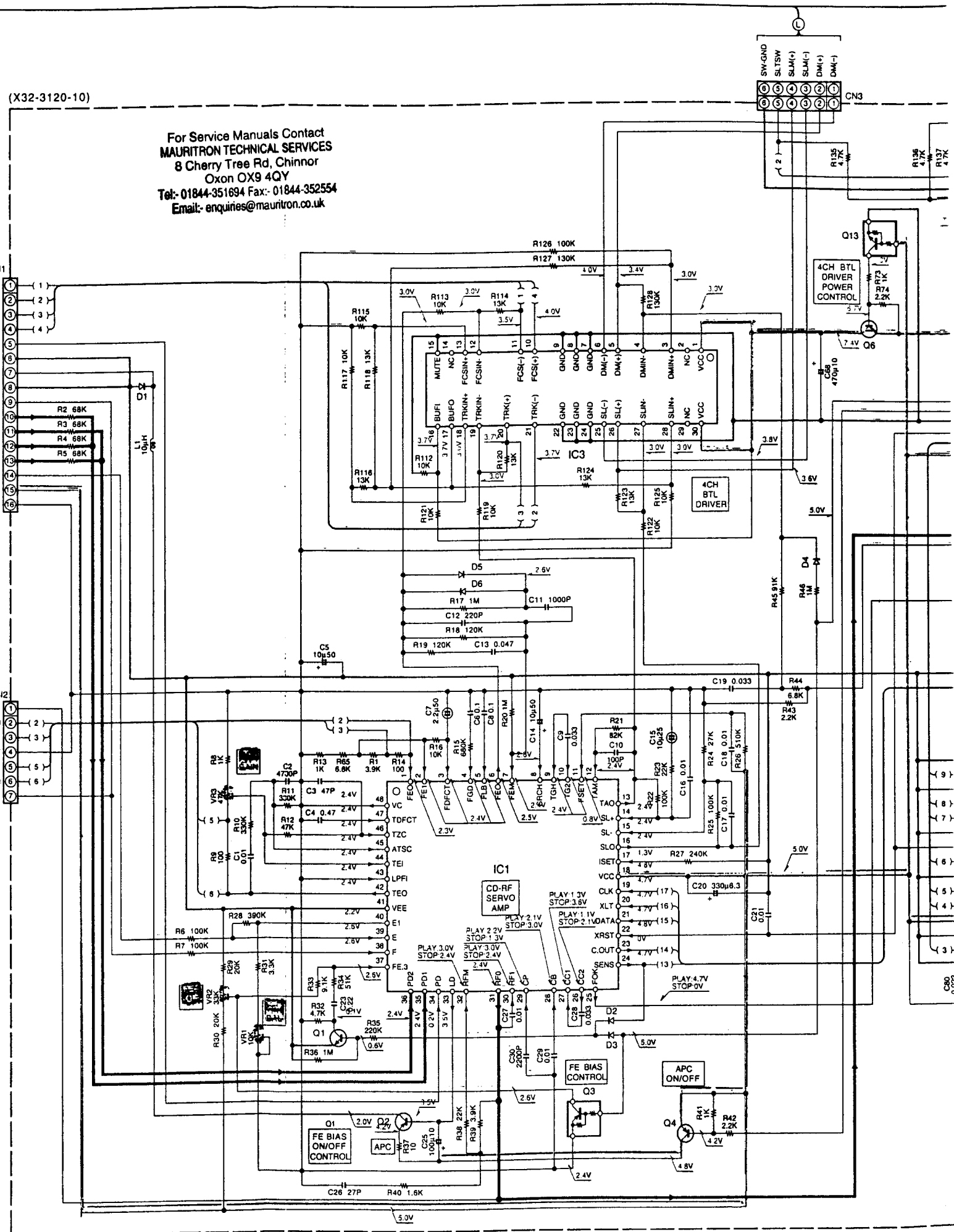
82B0X-1	D1-6	: 1S5133 or HSS104
08A0X-1	D7	: UZ-3.38SB or MTZ3.3(B)
YS	Q1,5	: 2SC2785(F,E) or 2SC1740S(Q,R)
18C	Q2,4	: 2SA954(L,K)
30D	Q3	: DTA124ES or UN4112
C166AP	Q6	: 2SA1286
	Q7,13	: DTC124ES or UN4212
	Q8	: 2SB1565(E,F) or 2SB1375
	Q9,10	: 2SA1175(F,E) or 2SA933S(Q,R)
	Q11,12	: 2SC2878(B)

(X32-3120-10)

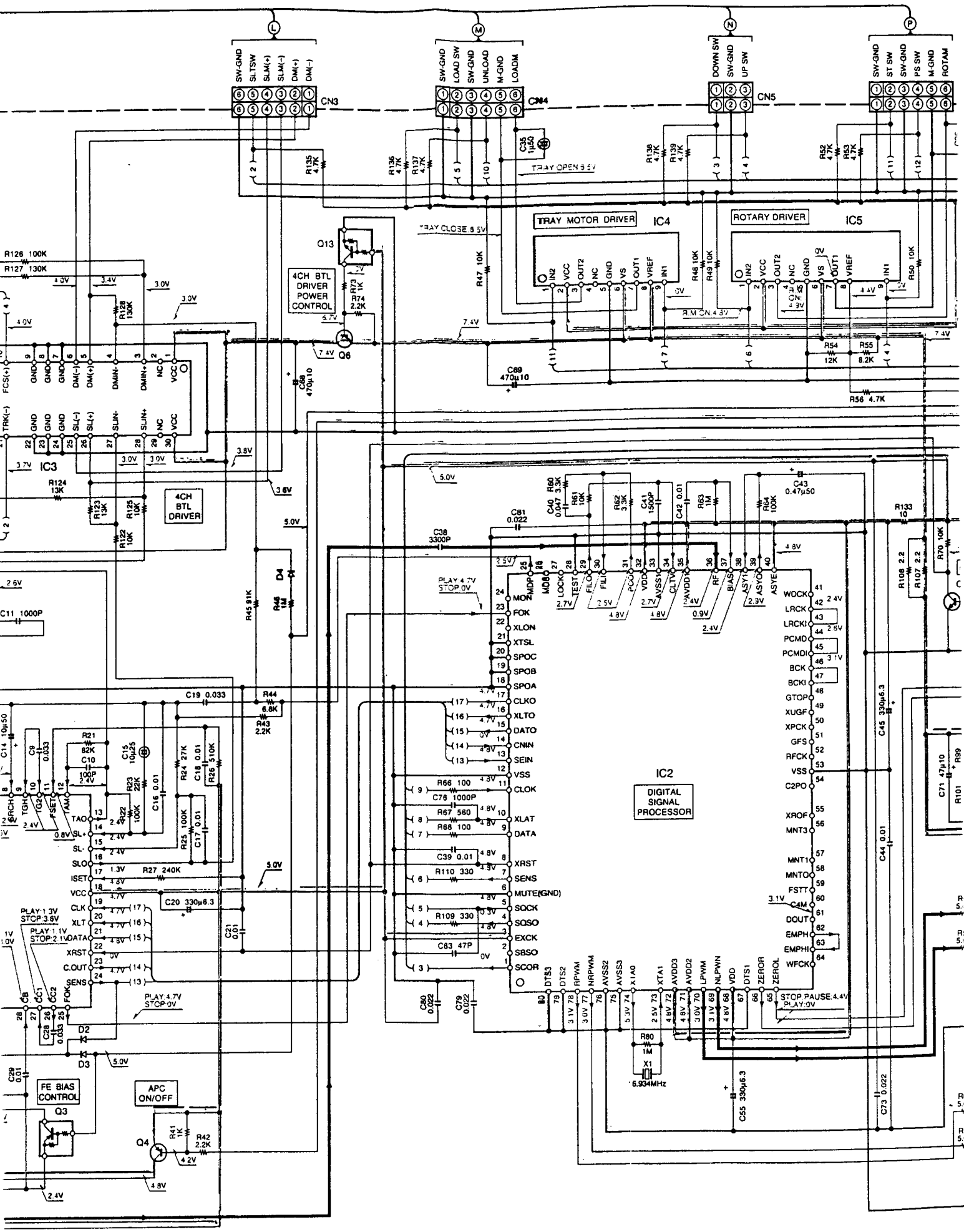


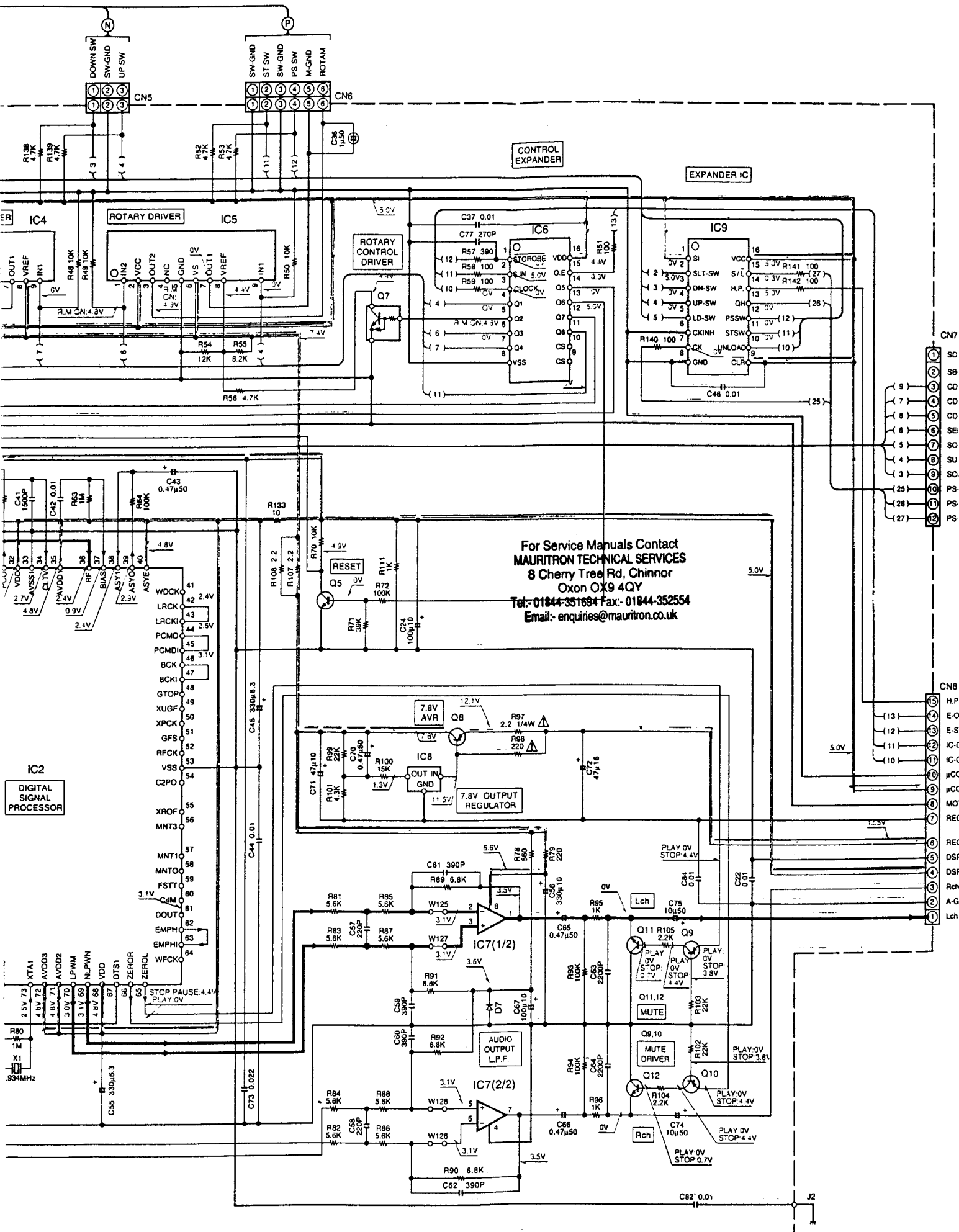
For Service Manuals Contact  
**MAURITRON TECHNICAL SERVICES**  
 8 Cherry Tree Rd, Chinnor  
 Oxon OX9 4QY  
 Tel: 01844-351694 Fax: 01844-352554  
 Email: enquiries@mauritron.co.uk

(X32-3120-10)





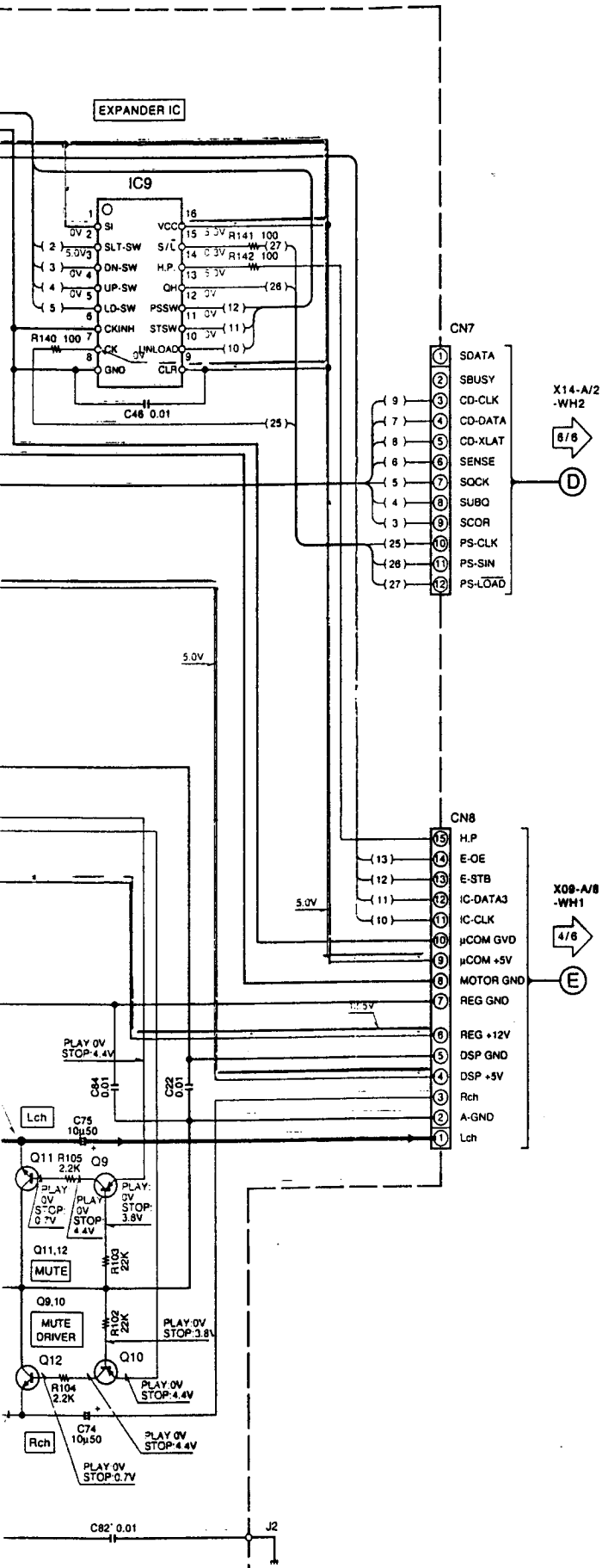




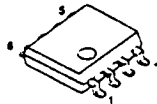
For Service Manuals Contact  
**MAURITRON TECHNICAL SERVICES**  
 8 Cherry Tree Rd, Chinnor  
 Oxon OX9 4QY  
 Tel: 01844-351694 Fax: 01844-352554  
 Email: enquiries@mauritron.co.uk

**CAUTION:** For continued safety, replace safety critical components only with manufacturer's recommended parts (refer to parts list).  $\Delta$  indicates safety critical components. For continued protection against risk of fire, replace only with same type and rating fuse(s). To reduce the risk of electric shock, leakage-current (resistance measurements shall be carried out (exposed parts are acceptably insulated from the supply circuit) before the appliance is returned to the customer.

The DC voltage is an actual reading measured with a high impedance type voltmeter. The measurement value may vary depending on the measuring instruments used or on the product. Refer to the voltage during PLAY unless otherwise specified; The value shown in ( ) is the voltage measured at the moment of STOP.



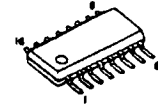
NJM4565MD



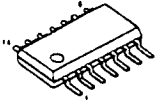
UN5212



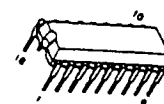
BU4094BCF



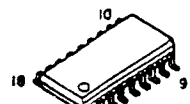
BU4066BCF



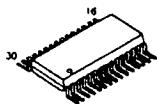
UPC1297CA



BA3835F



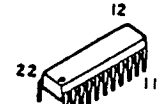
NJU7313AM



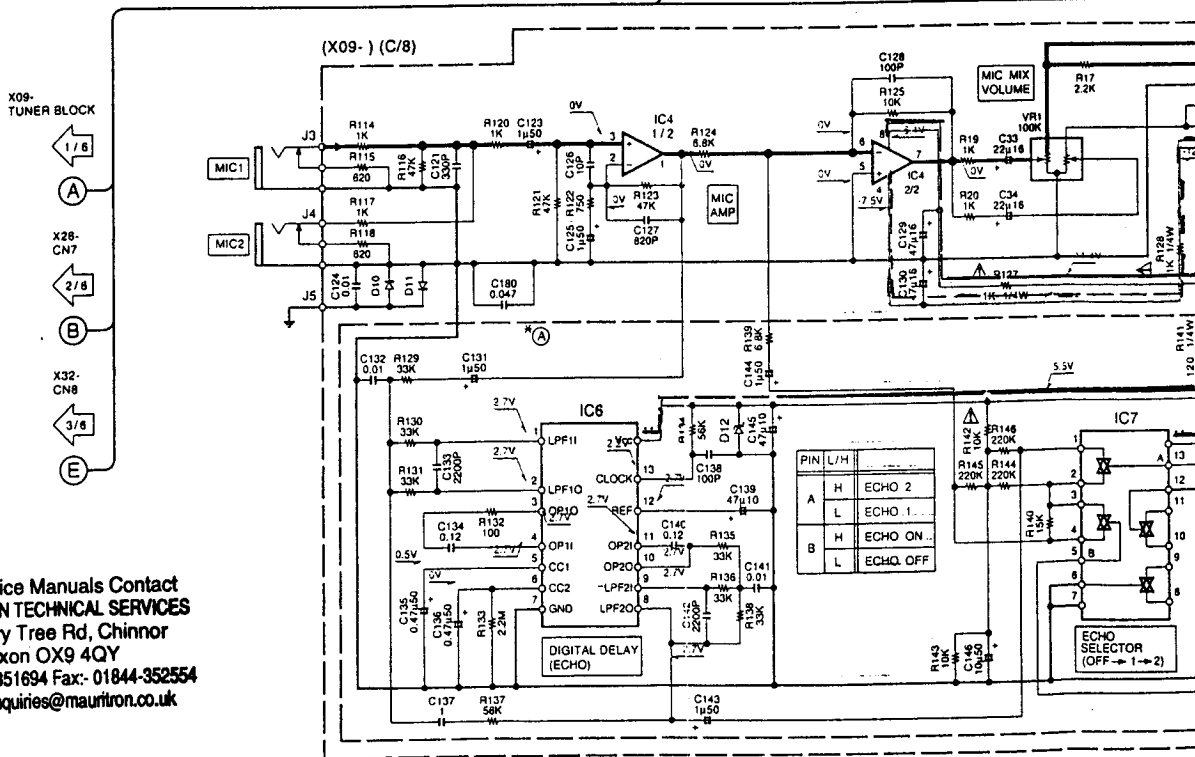
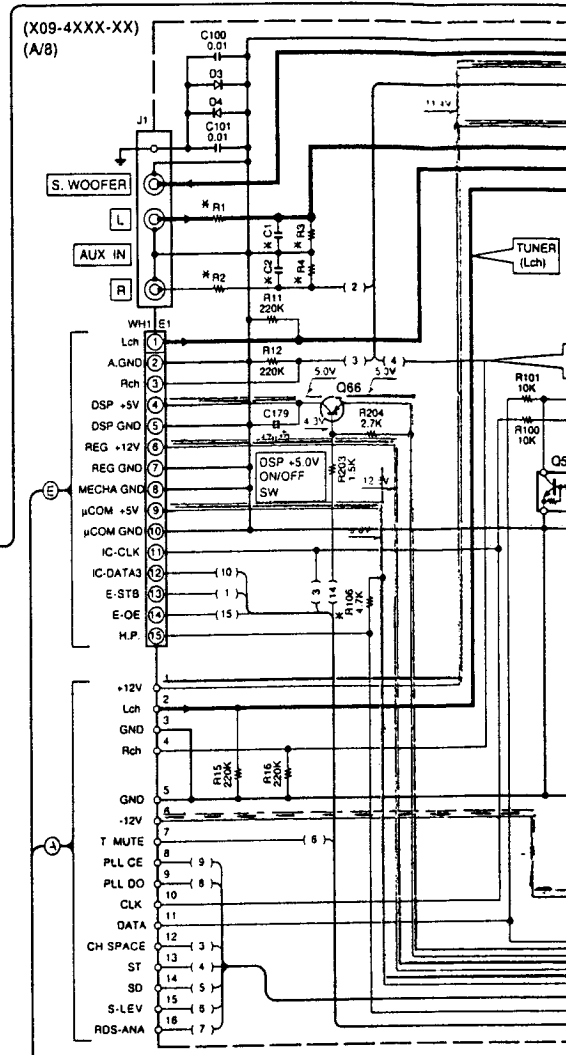
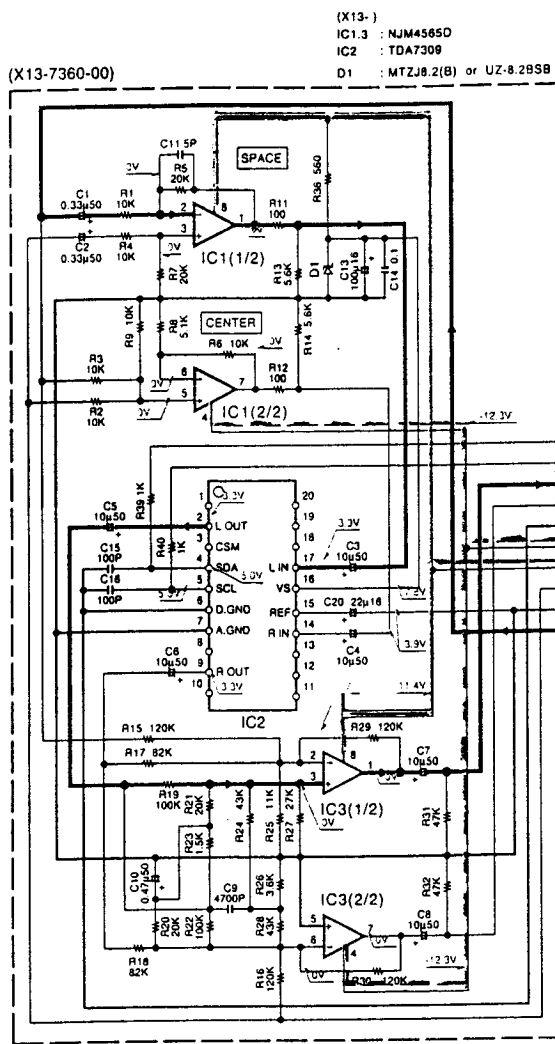
TDA2050V



LC72131



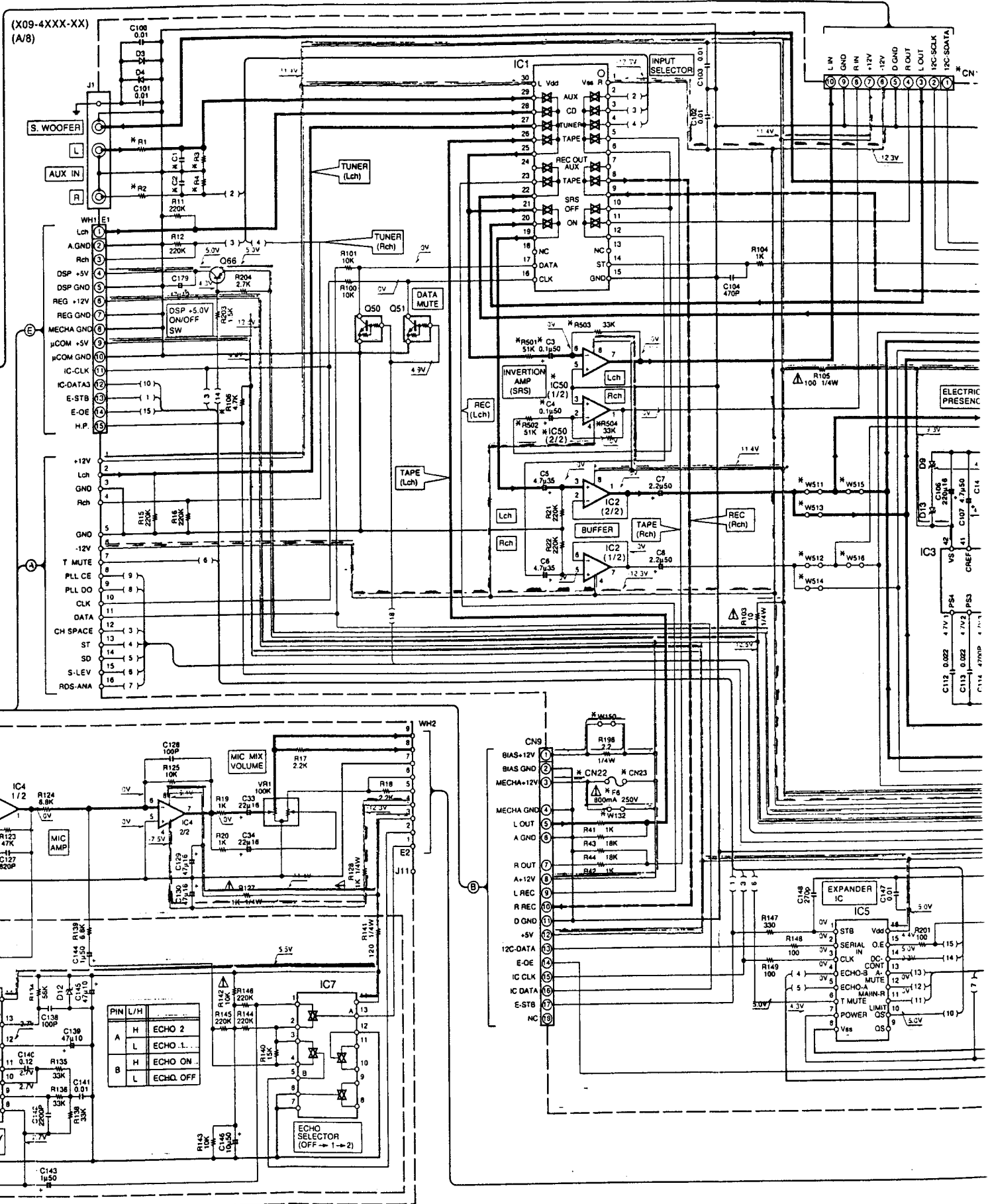
For Service Manuals Contact  
**MAURITRON TECHNICAL SERVICES**  
 8 Cherry Tree Rd, Chinnor  
 Oxon OX9 4QY  
 Tel: 01844-351694 Fax: 01844-352554  
 Email: enquiries@mauritron.co.uk



For Service Manuals Contact  
**MAURITRON TECHNICAL SERVICES**  
 8 Cherry Tree Rd, Chinnor  
 Oxon OX9 4QY  
 Tel: 01844-351694 Fax: 01844-352554  
 Email: enquires@mauritron.co.uk

**CAUTION:** For continued safety, replace safety critical components only with manufacturer's recommended parts (refer to parts list).  $\Delta$  indicates safety critical components. For continued protection against risk of fire, replace only with same type and rating fuse(s). To reduce the risk of electric shock, leakage-current or resistance measurements shall be carried out (exposed parts are acceptably insulated from the supply circuit) before the appliance is returned to the customer.

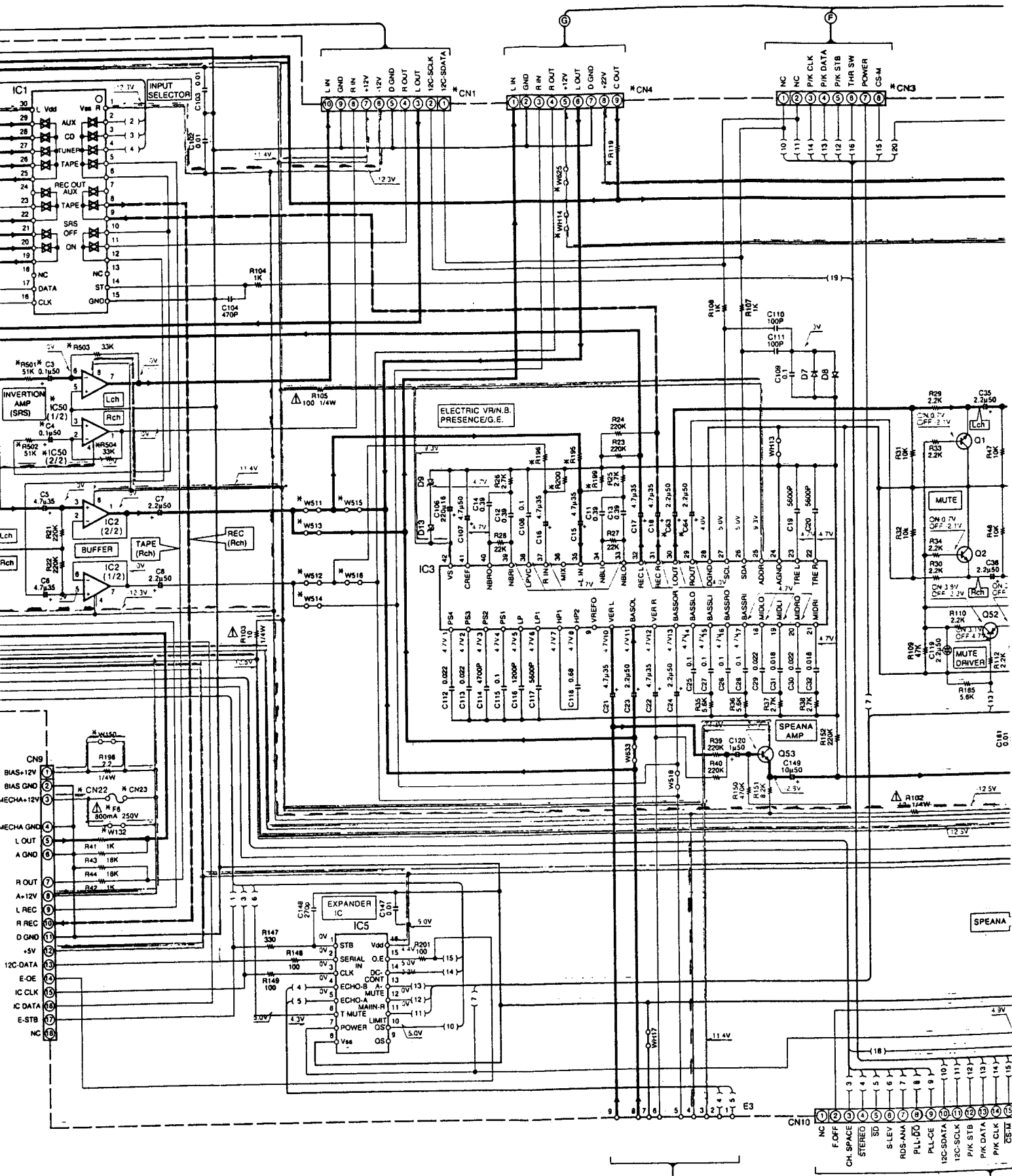
The DC voltage is an actual reading measured by voltmeter as the AM/FM signal generator is specified the list below. The measurement value may vary by instruments used or on the product. The value should be measured in the AM mode.



with  
critical  
same  
ent or  
stably  
ner.

The DC voltage is an actual reading measured with a high impedance type voltmeter as the AM/FM signal generator is specified to the conditions as shown in the list below. The measurement value may vary depending on the measuring instruments used or on the product. The value shown in ( ) is actual reading measured in the AM mode.

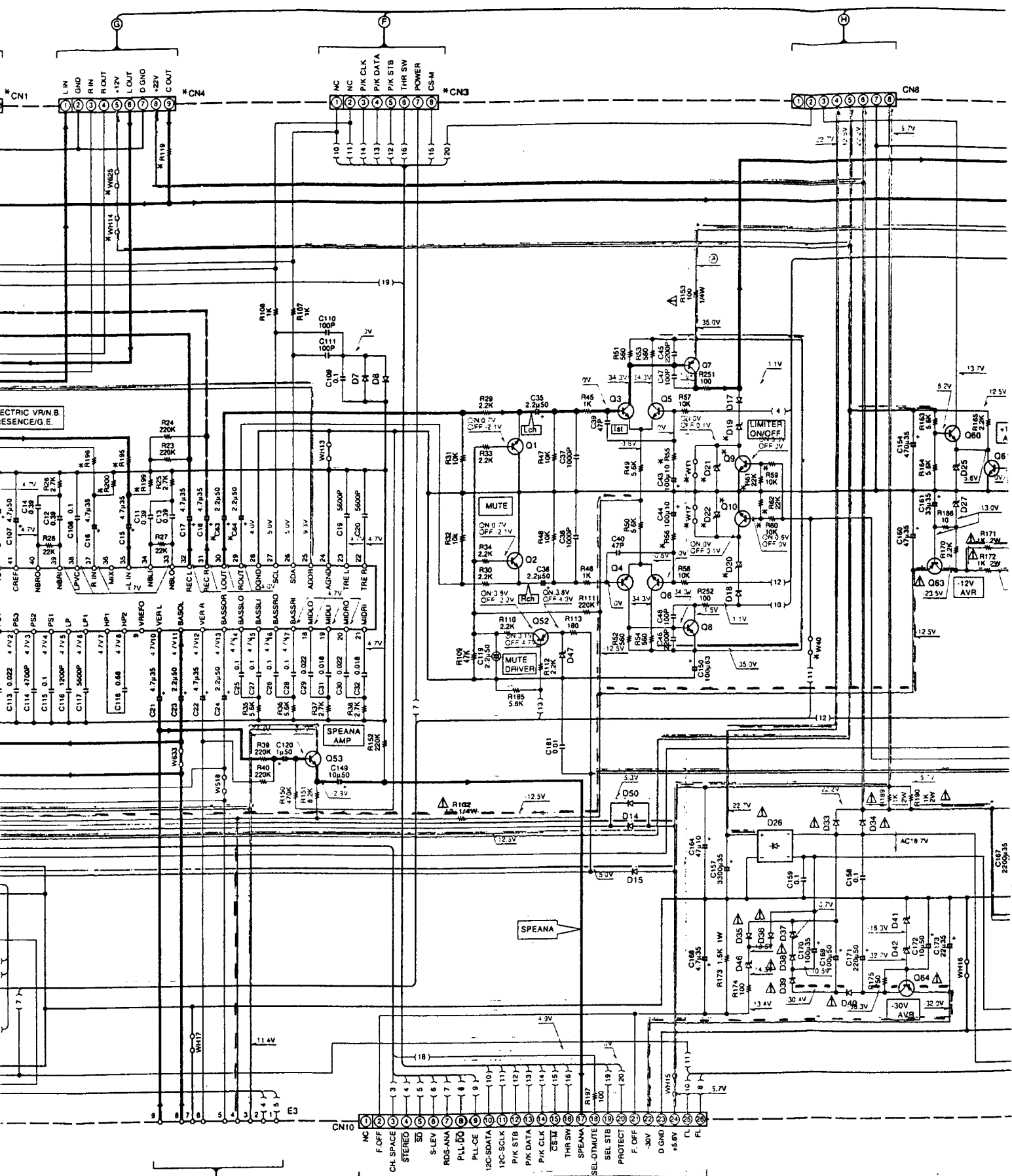
MODE	CARRIER	MODULATION	
		FREQUENCY	DEVIATION
FM	98MHz	1kHz	STEREO 67.5kHz 7.5
AM	1000(999)kHz	400Hz	MONO 30% MOD



ance type  
s shown in  
measuring  
al reading

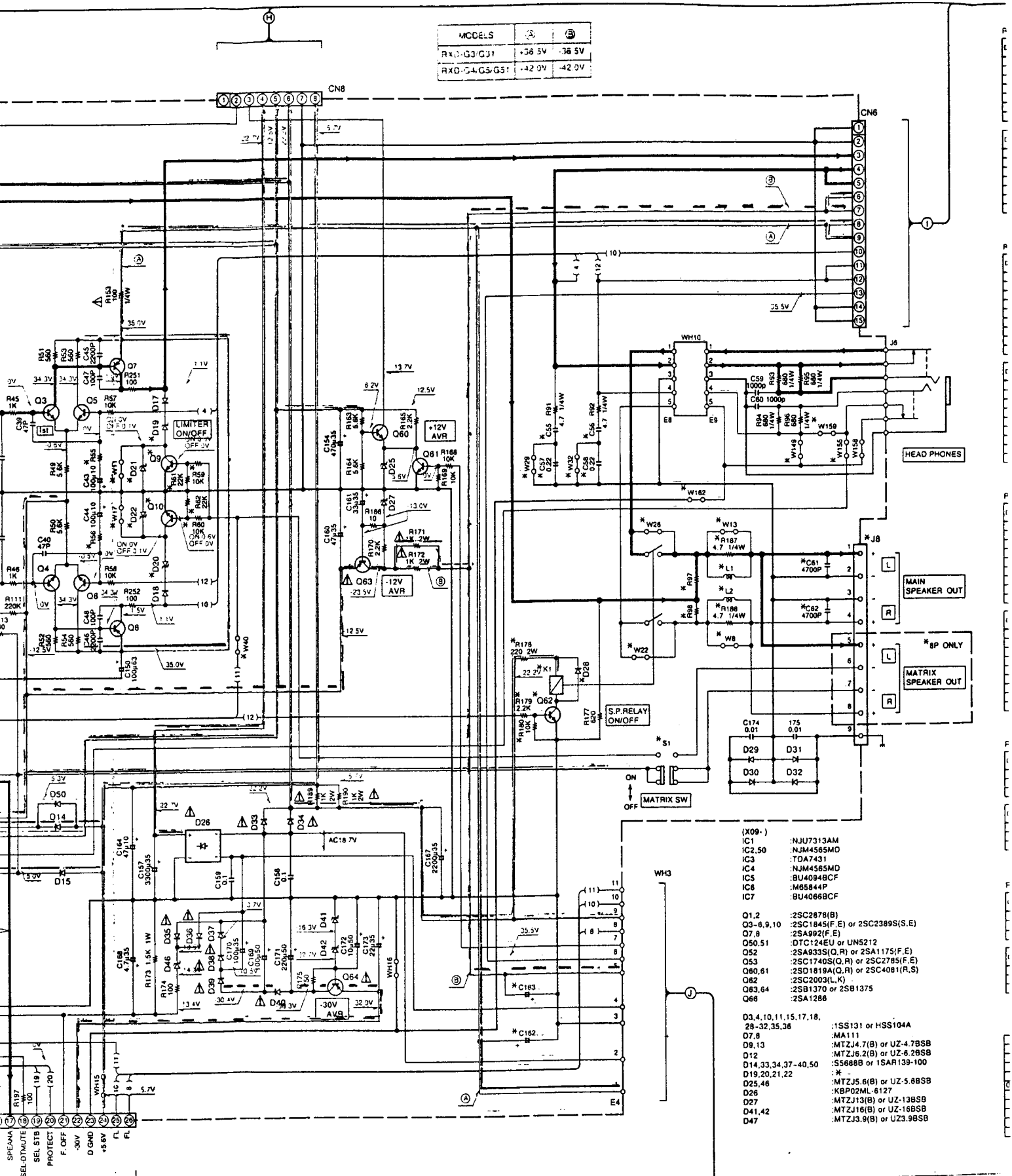
MODE	CARRIER	MODULATION		ANT INPUT
		FREQUENCY	DEVIATION	
FM	98MHz	1kHz	STEREO 67.5kHz 7.5kHz(Pilot)	60dB
AM	1000(999)kHz	400Hz	MONO 30% MOD	60dB

For Service Manuals Contact  
**MAURITRON TECHNICAL SERVICES**  
 8 Cherry Tree Rd, Chinnor  
 Oxon OX9 4QY  
 Tel:- 01844-351694 Fax:- 01844-352554  
 Email:- enquiries@mauritron.co.uk



ANT INPUT	
z 7.5kHz(Pilot)	60dB
	60dB

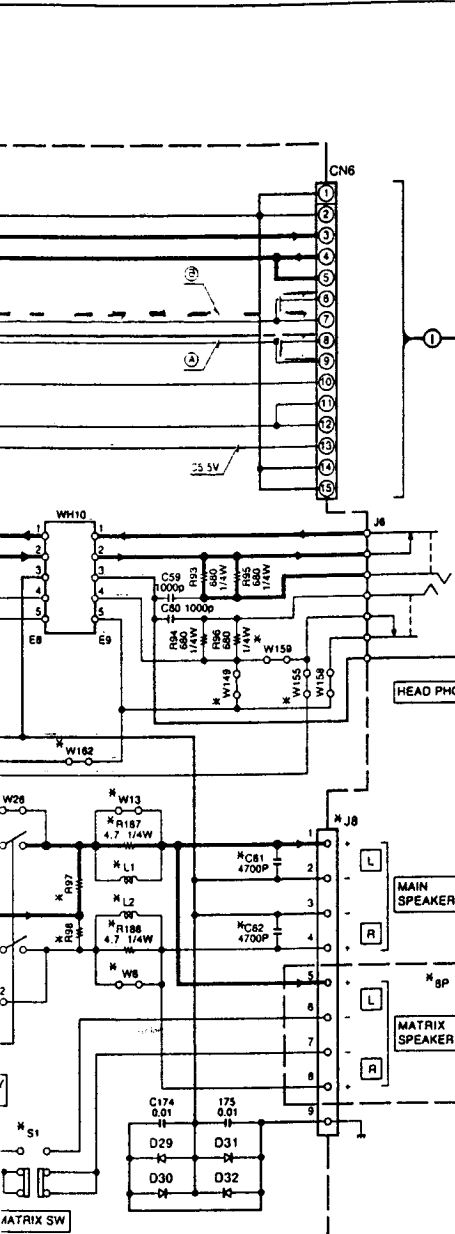
MODELS	(3)	(5)
RX0-G3-GJ1	+36 5V	+36 5V
RX0-G4-G5-G51	+42 0V	-42 0V



- (X09-)
- IC1 : NJU7313AM
  - IC2,50 : NJM4565MD
  - IC3 : TDA7431
  - IC4 : NJM4565MD
  - IC5 : BU4094BCF
  - IC6 : M65844P
  - IC7 : BU4066BCF
- Q1,2 : 2SC2878(B)
- Q3-6,9,10 : 2SC1845(F,E) or 2SC2389(S,E)
- Q7,8 : 2SA992(F,E)
- Q50,51 : DTC124EU or UN5212
- Q52 : 2SA933(Q,R) or 2SA1175(F,E)
- Q53 : 2SC1740S(Q,R) or 2SC2785(F,E)
- Q60,61 : 2SD1819A(Q,R) or 2SC4081(R,S)
- Q62 : 2SC2003(L,K)
- Q63,64 : 2SB1370 or 2SB1375
- Q68 : 2SA1286
- D3,4,10,11,15,17,18, 28-32,35,36 : 1SS131 or HSS104A
- D7,8 : MA111
- D9,13 : MTZJ4.7(B) or UZ-4.7BSB
- D12 : MTZJ6.2(B) or UZ-6.2BSB
- D14,33,34,37-40,50 : S5688B or 1SAR139-100
- D19,20,21,22 : \*
- D25,46 : MTZJ5.6(B) or UZ-5.6BSB
- D26 : KBP02ML 6127
- D27 : MTZJ13(B) or UZ-13BSB
- D41,42 : MTZJ16(B) or UZ-16BSB
- D47 : MTZJ3.9(B) or UZ.9BSB

For Service Manuals Contact  
**MAURITRON TECHNICAL SERVICES**  
 8 Cherry Tree Rd, Chinnor  
 Oxon OX9 4QY  
 Tel:- 01844-351694 Fax:- 01844-352554  
 Email:- enquiries@mauritron.co.uk





- (X09-)
  - IC1 :NJU7313AM
  - IC2,50 :NJM4565MD
  - IC3 :TA7431
  - IC4 :NJM4565MD
  - IC5 :BU4094BCF
  - IC6 :M85844P
  - IC7 :BU4086BCF

- Q1,2 :2SC2878(B)
- Q3-8,9,10 :2SC1845(F,E) or 2SC2389S(S,E)
- Q7,8 :2SA992(F,E)
- Q50,51 :DTC124EU or UNS212
- Q52 :2SA903S(Q,R) or 2SA1175(F,E)
- Q53 :2SC1740S(Q,R) or 2SC2785(F,E)
- Q80,61 :2SD1819A(Q,R) or 2SC4081(R,S)
- Q82 :2SC2003(L,K)
- Q83,84 :2SB1370 or 2SB1375
- Q86 :2SA1288

- D3,4,10,11,15,17,18, 28-32,35,38 :ISS131 or HSS104A
- D7,8 :MA111
- D9,13 :MTZ14.7(B) or UZ-4.78SB
- D12 :MTZ16.2(B) or UZ-6.28SB
- D14,33,34,37-40,50 :S5688B or 1SAR139-100
- D19,20,21,22 :\*
- D25,46 :MTZJ5.6(B) or UZ-5.8BSB
- D26 :KBP02ML-6127
- D27 :MTZ13(B) or UZ-13BSB
- D41,42 :MTZ16(B) or UZ-16BSB
- D47 :MTZJ3.9(B) or UZ.9BSB

RXD-G3 (X09-431X-XX)

DESTINATION	UNIT No.	IC50	OR.10	OR2	D19.20	D21.22.28	C1.2	C1.3	C55.56	C57.58	C81.82	C83.84	C162.163	R1-4	R55.56	R59.62	R87.96	R106,118,178-190, 501-504	R187.196	R188.196	
K	0-11			NO	MTZJ30(B) or UZ-30BS								4700n 50		38	NO	8.2K				
Y	0-21			NO									2.2n 50							NO	100
M	0-21	NO	NO	NO	MTZJ15(B) or UZ-15BSB								3300n 50	33K	43	YES	8.2K				
I	0-71			YES																	
C	3-01			NO																	
X	0-71			NO																	
E	2-71								8P		0.22	YES	YES							YES	
T	0-51																				

DESTINATION	UNIT No.	R196	R198.200	CH1.3.4	CH2.23	K1	S1	J8	L1.2	F8	WB.13	W11.17,22,24,28,32,39, 132.150,158,159,511,512	W22.24,39, 142,173,175,513-518	W28.32	W39.132.150	W40,76,79,82,106,111,115,144,149,155,162, 173,175,513-518,611,612,614,616,618	W114
K	0-11	YES			YES			4P	YES	YES							
Y	0-21	NO	220K														
M	0-21			NO													
I	0-71			NO				8P									
C	3-01																
X	0-71																
E	2-71								YES	NO							
T	0-51																NO

RXD-G4 (X09-432X-XX)

DESTINATION	UNIT No.	IC50	OR.10	OR2	D19.20	D21.22	D28	C1.2	C1.3	C55.56	C57.58	C81.82	C83.84	C162.163	R1.2	R3.4	R55.56	R59.62	R87.96	R106, 118,178-190	R187.196	R188.196	R196
K	0-11			NO	MTZJ24(B) or UZ-24BS	YES								5600n 83									YES
Y	0-21			NO																			NO
M	0-21	NO	YES	NO	MTZJ16(B) or UZ-16BSB									3.3n 50									NO
I	0-71			NO										4700n 63	33K	120K	39	YES	8.2K				NO
C	3-01			NO																			NO
X	0-71			NO																			NO
E	2-71										0.22	YES	YES										YES
T	0-51																						NO

DESTINATION	UNIT No.	R196	R59.100	CH1	CH2.23	K1	S1	J8	L1.2	F8	WB.13	W11.17,40,106,149,155, 162,173,175,513-518	W23,24,76,79,82,111,115,144,154, 158,511,512,611,612,614,616,618	W29.32	W39.132.150	W114	
K	0-11	YES			YES			4P	YES	YES							NO
Y	0-21	NO															
M	0-21	220K	YES	YES	NO			8P									
I	0-71																
C	3-01																
X	0-71																
E	2-71								YES	NO							
T	0-51																NO

RXD-G5 (X09-445X-XX)

DESTINATION	UNIT No.	IC50	OR.10	OR2	D19.20	D21.22	D28	C1.2	C1.3	C55.56	C57.58	C81.82	C83.84	C162.163	R1.2	R3.4	R55.56	R59.62, 108, 178-180,501-504	R87.96	R118	R187.196	R188.196	R196	
K	0-10					YES								5600n 63						10K	8.2K			
Y	0-21			NO	MTZJ24(B) or UZ-24BS																			NO
M	0-21	NO	YES	YES										3.3n 50										NO
I	0-71			NO										4700n 63	470	220K	39	YES		8.2K	7.3K			8.2K
C	3-01																							NO
X	0-71			NO																				YES
E	2-71										0.22	YES	YES											YES
T	0-51																							YES

DESTINATION	UNIT No.	R196	R198.200	CH1.3.4	CH2.23	K1	S1	J8	L1.2	F8	WB.13	W11.17,22,24,39, 132.150,158,159,511,512	W23,24,76,79,82,106,111,115,144,154, 158,511,512,611,612,614,616,618	W29.32	W39.132.150	W114	
K	0-10	YES			YES					YES							NO
Y	0-21	NO															
M	0-21		10K	YES	NO			4P									
I	0-71																
C	3-01																
X	0-71																
E	2-71								YES	NO							
T	0-51																YES

RXD-G31 (X09-432X-XX)

DESTINATION	UNIT No.	IC50	OR.10	OR2	D19.20	D21.22.28	C1-4	C55.56	C57.58	C81.82	C83.84	C162.163	R1-4	R55.56	R59.62.96	R87.96	R106,118-180,119, 187,188,501-504	W114			
M	0-23	YES	NO	YES	NO	MTZJ15(B) or UZ-15BSB							2.7n 50	3300n 50	33K	43	YES	8.2K		NO	
I	0-23			NO																	NO
C	3-02			NO																	NO

RXD-G51 (X09-445X-XX)

DESTINATION	UNIT No.	IC50	OR.10	OR2	D19.20	D21.22.28	C1.2	C1.3	C55.56	C57.58	C81.82	C83.84	C162.163	R1.2	R3.4	R55.56	R59.62.96	R87.96	R106,118-178-190, 187,188,196	W114	
M	0-23	YES	YES	YES	NO	MTZJ16(B) or UZ-16BSB			YES	0.1											NO
I	0-23			NO																	NO
C	3-03																				NO

DESTINATION

COUNTRY	ABB
U.S.A.	X
CANADA	P
OTHER	F

GENERAL MARKET

MA. AYSIA	I
CHINA	C
AUSTRALIA	X
EUROPE	E
U.K.	F

- RECORDING LINE
- SIGNAL LINE
- GND LINE
- B LINE

- X09-A/2 -WH2
- X09-A/2 -WH1
- X09-B/8 -CN7
- X09-B/8 -CN5

RXD-G3/G4/G5/G31/G51(K)/4/6

For Service Manuals Contact  
 MAURITRON TECHNICAL SERVICES  
 8 Cherry Tree Rd, Chinnor  
 Oxon OX9 4QY  
 Tel: 01844-351694 Fax: 01844-352554  
 Email: enquiries@mauratron.co.uk

Y39-2300-00

**RXD-G3/G4/G5/G31/G51**  
**KENWOOD**

X09-A/8  
-CN8



X09-A/8  
-CN3



X09-A/8  
-CN4



X09-A/8  
-CN6



RXD-G3 (X09-431X-XX)

DESTINATION	UNIT No.	Q13,14	Q15,16	Q59	F1,2	F3
K	0-11			2SD1894	5A	4A
P				125V		125V
Y	0-21	2SD2493	2SB1624			
M				2SD1893	T4A	T2.5A
X	0-71			L 250V		L 250V
E	2-71					
T	0-51					

RXD-G4 (X09-432X-XX)

DESTINATION	UNIT No.	Q13,14	Q15,16	Q59	F1,2	F3
K	0-11	2SD2389	2SB1559	2SD1894	5A	4A
P				125V		125V
Y	0-21					
M						
I	0-21	2SD2493	2SB1624	2SD1893	T4A	T2.5A
C	3-01				L 250V	L 250V
X	0-71					
E	2-71					
T	0-51					

RXD-G5 (X09-445X-XX)

DESTINATION	UNIT No.	Q13,14	Q15,16	Q59	F1,2	F3
K	0-10	2SD2389	2SB1559	2SD1894	5A	4A
P				125V		125V
Y	0-21					
M						
I	0-21	2SD2493	2SB1624	2SD1893	T4A	T2.5A
C	3-01				L 250V	L 250V
X	0-71					
E	2-71					
T	0-51					

RXD-G31 (X09-431X-XX)

DESTINATION	UNIT No.	Q13,14	Q15,16	Q59	F1,2	F3
M	0-22	2SD2493	2SB1624	2SD1893	T4A	T2.5A
I					L 250V	L 250V
C	3-01					

RXD-G51 (X09-445X-XX)

DESTINATION	UNIT No.	Q13,14	Q15,16	Q59	F1,2	F3
M	0-22	2SD2493	2SB1624	2SD1893	T4A	T2.5A
I					L 250V	L 250V
C	3-02					

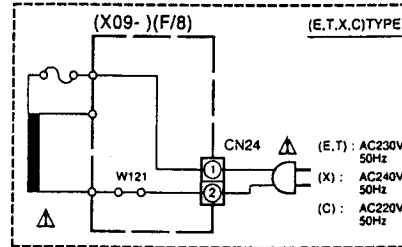
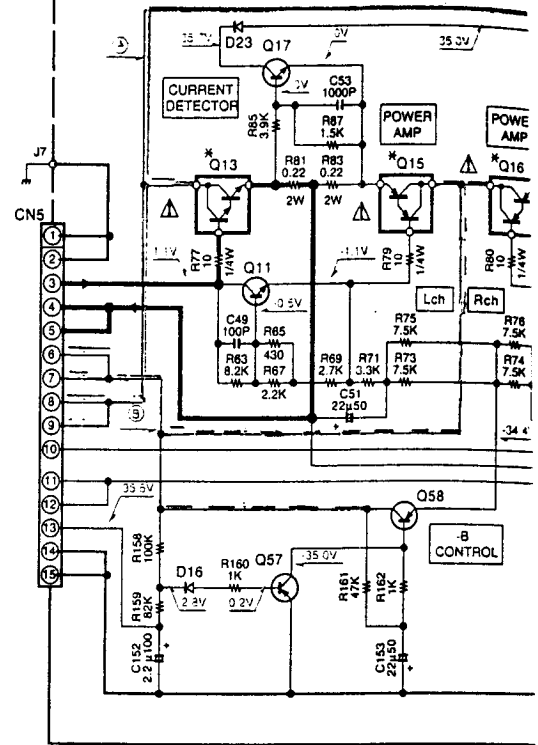
DESTINATION	ABB.
COUNTRY	
U.S.A.	K
CANADA	P
PX	Y
GENERAL MARKET	M
MALAYSIA	I
CHINA	C
AUSTRALIA	X
EUROPE	E
U.K.	T

X09-A/8  
-WH3



MODELS	Ⓐ	Ⓑ
RXD-G3/G31	+36.5V	-36.5V
RXD-G4/G5/G51	+42.0V	-42.0V

(X09-4XXX-XX)(B/8)



(X09-)  
IC8

:TA78057S

Q11,12

:2SC4137F50(V,W)

Q13,14

:\*

Q15,18

:\*

Q17,18,55,56,65

:2SC2003(L,K)

Q54,57

:2SA933S(Q,R) or 2SA1175(F,E)

Q58

:2SA945(L,K)

Q59

:\*

D16,23,24,43,48

:1SS131 or HSS104A

D44

:D3BA20F03 or RBV-402LFA

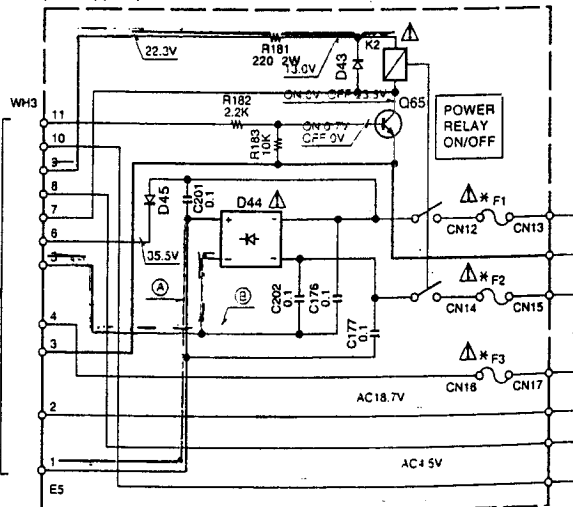
D45

:S5688B or ISR139-100

D49

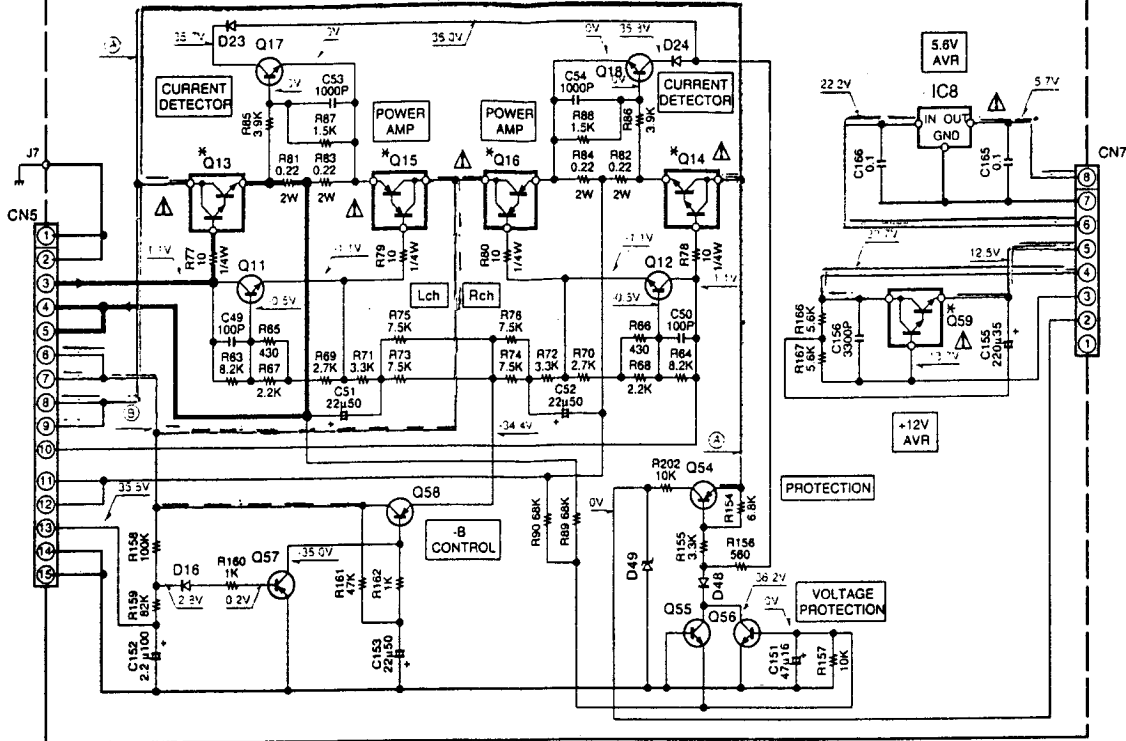
:MTZJ5.1(B) or UZ-5.1BSB

(X09-)(E/8)



For Service Manuals Contact  
**MAURITRON TECHNICAL SERVICES**  
 8 Cherry Tree Rd, Chinnor  
 Oxon OX9 4QY  
 Tel: 01844-351694 Fax: 01844-352554  
 Email: enquiries@mauritron.co.uk

(X09-4XXX-XX)(B/B)



Sch TEST P

Cch TEST P

- S DA
- PRO CL
- PRO DA
- PRO S
- THR S
- POW REL
- CS MU

Q59	F1.2	F3
2SD1894	5A L 125V	4A L 125V
2SD1893	T4A L 250V	T2.5A L 250V

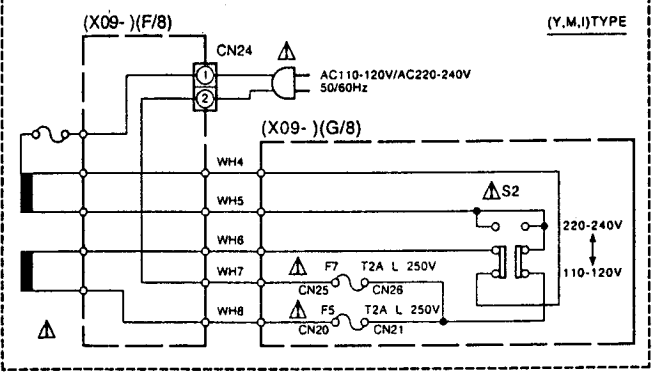
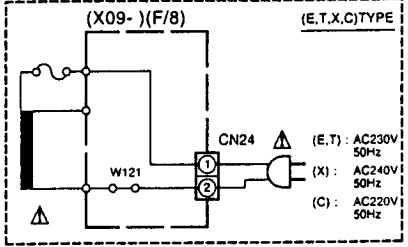
Q59	F1.2	F3
2SD1894	6A L 125V	4A L 125V
2SD1893	T4A L 250V	T2.5A L 250V

Q59	F1.2	F3
2SD1894	6A L 125V	4A L 125V
2SD1893	T4A L 250V	T2.5A L 250V

Q59	F1.2	F3
2SD1893	T4A L 250V	T2.5A L 250V

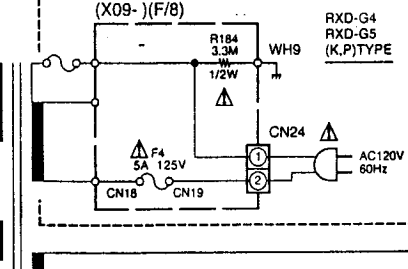
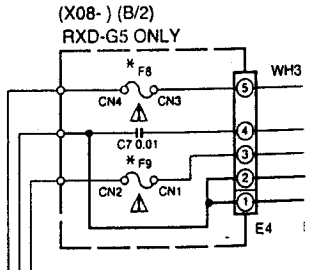
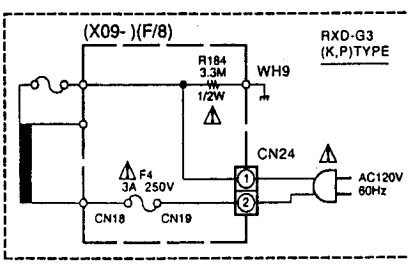
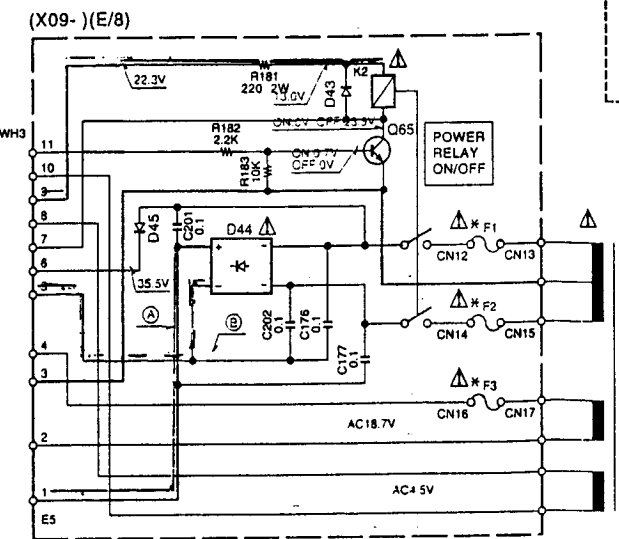
Q59	F1.2	F3
2SD1893	T4A L 250V	T2.5A L 250V

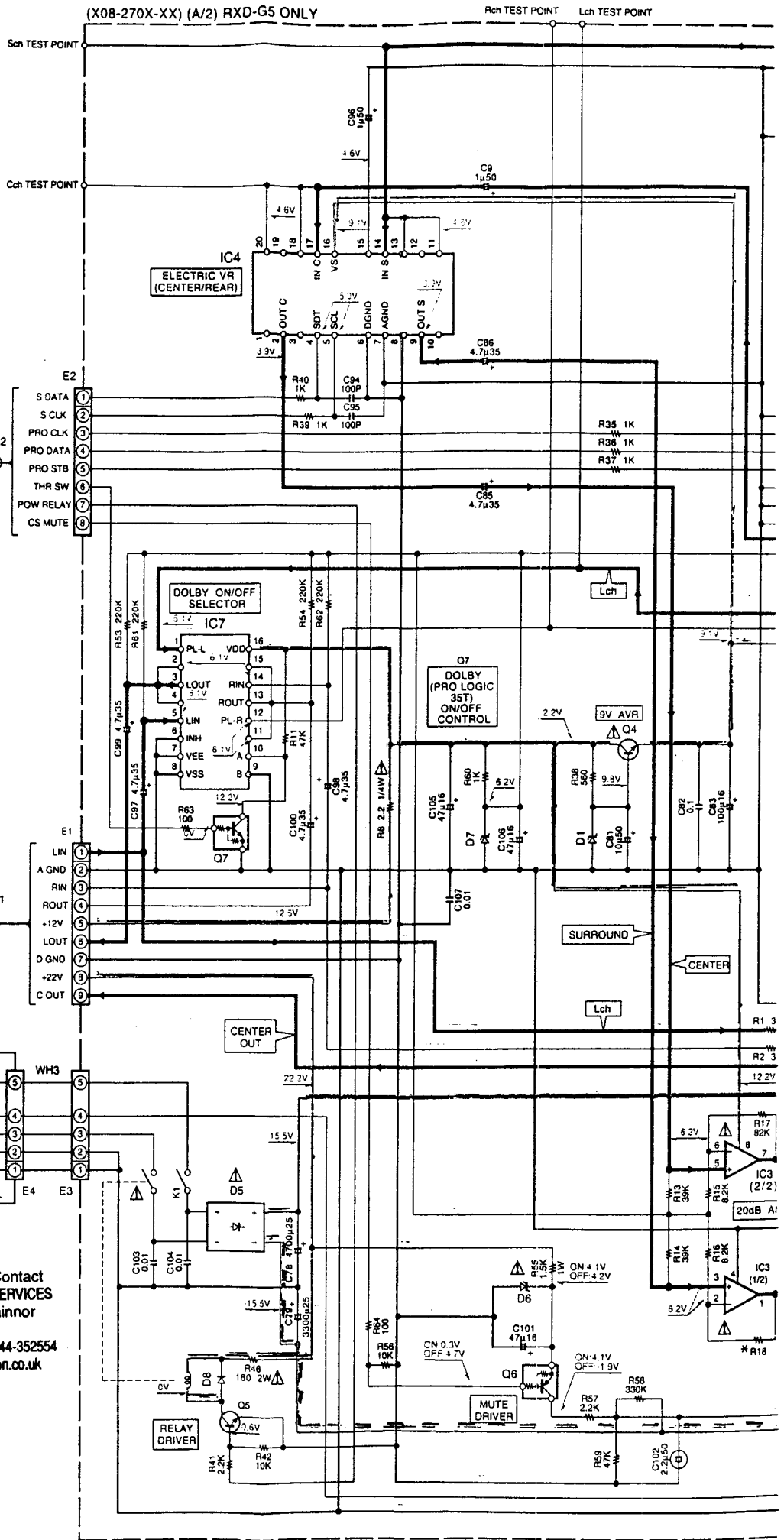
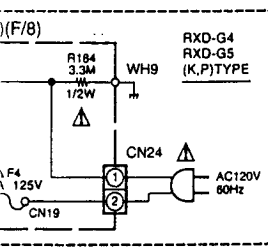
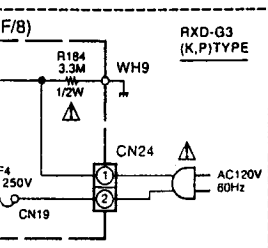
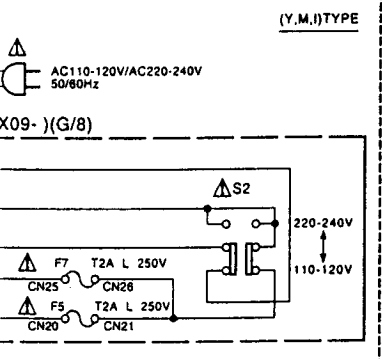
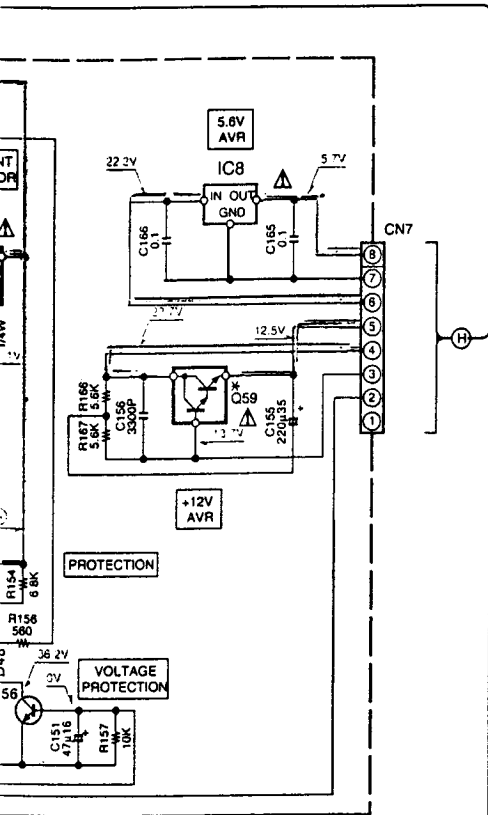
A	B
+36.5V	-36.5V
+42.0V	-42.0V



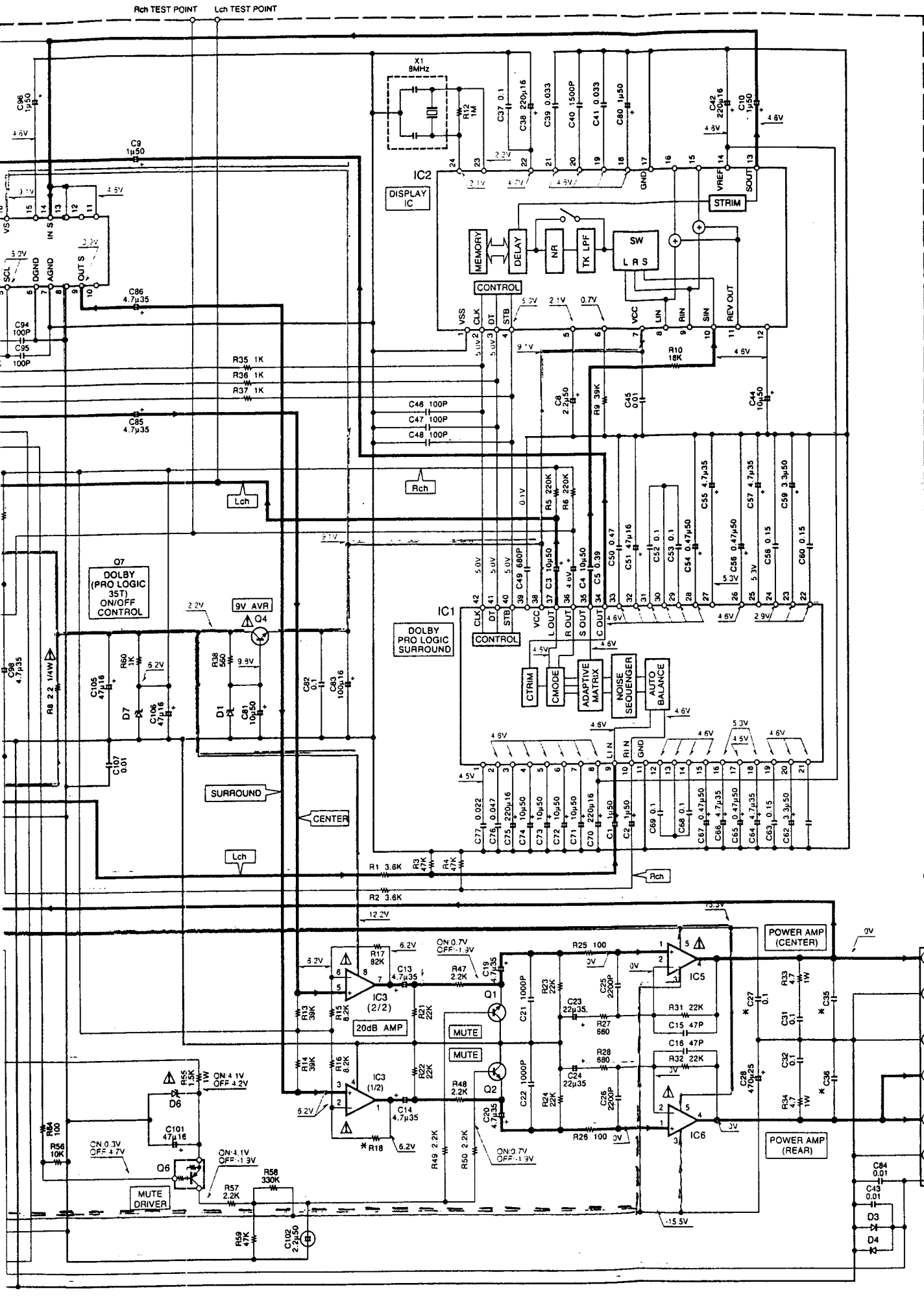
- (X09-) IC8 :TA78057S
- Q11,12 :2SC4137F50(V,W)
- Q13,14 :\*
- Q15,16 :\*
- Q17,18,55,56,85 :2SC2003(L,K)
- Q54,57 :2SA933S(Q,R) or 2SA1175(F,E)
- Q58 :2SA945(L,K)
- Q59 :\*
- D16,23,24,43,48 :1SS131 or HSS104A
- D44 :D3BA20F03 or RBV-402LFA
- D45 :S5688B or ISR139-100
- D49 :MTZJ5.1(B) or UZ-5.1BSB

- LI
- A GN
- RI
- ROL
- +12V
- LOL
- D GN
- +2V
- C OU





For Service Manuals Contact  
**MAURITRON TECHNICAL SERVICES**  
 8 Cherry Tree Rd, Chinnor  
 Oxon OX9 4QY  
 Tel: 01844-351694 Fax: 01844-352554  
 Email: enquiries@mauritron.co.uk



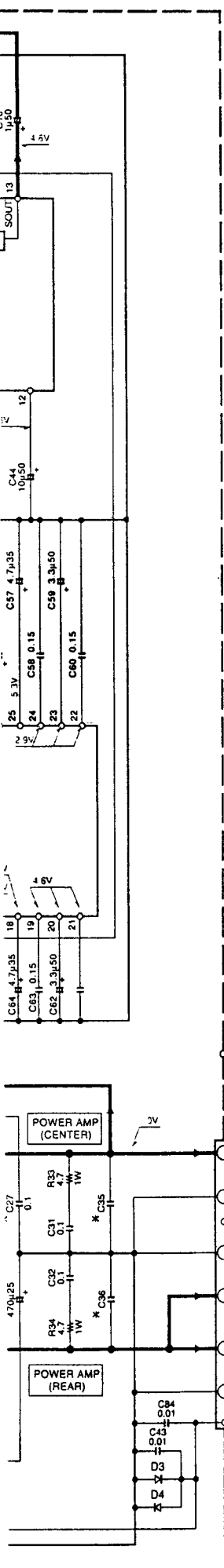
- (X08-2702-70)
- IC1 : LAZT
- IC2 : LVIC
- IC3 : NUM
- IC4 : TDA
- ICS.6 : TDA
- IC7 : XRU

- Q1.2 : 2SC
- Q4 : 2SC
- Q5 : 2SC
- Q6 : DTA
- Q7 : DTC

- D1 : MTZ
- Q3.4.8 : 1SS1
- Q5 : 83SE
- Q6 : MTZ
- Q7 : MTZ

RXD-G5(X08-)

DESTINATION
COUNTRY
USA
CANADA
PX
GENERAL MARK
MALAYSIA
CHINA
AUSTRALIA
U.K.
EUROPE



- (X08-2702-70) (A/2)  
 IC1 : LA2785L  
 IC2 : LV1011L  
 IC3 : NJM4565L-D  
 IC4 : TDA7309  
 IC5,6 : TDA2050V  
 IC7 : XRU4052BC

- O1.2 : 2SC2878(B)  
 O4 : 2SC3940A(R,S) or 2SD863(E,F)  
 O5 : 2SC2003(L,K)  
 O6 : DTA113ZS or UN4119  
 O7 : DTC124ES or UN4212

- D1 : MTZJ10(B) or UZ-108SB  
 D3,4,8 : 1SS131 or HSS104A  
 D5 : B3SBA20F03 or RBV-402LFA  
 D6 : MTZJ3.9(B) or UZ-3.98SB  
 D7 : MTZ6.2(B) or UZ-6.2BSB

RXD-G5(X08- )

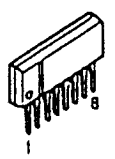
DESTINATION	COUNTRY	ABB	UNIT No.	C27	C35, 36	R18	F8,9
U.S.A.	K		X08-2700-11	NO	4700P	75K	4A 125V
CANADA	P						
PX	Y						
GENERAL MARKET	M						
MALAYSIA	I						
CHINA	C		X08-2702-70	YES	8200P	68K	T4A L 250V
AUSTRALIA	X						
U.K.	F						
EUROPE	E						

**CAUTION:** For continued safety, replace safety critical components only with manufacturer's recommended parts (refer to parts list).  $\Delta$  indicates safety critical components. For continued protection against risk of fire, replace only with same type and rating fuse(s). To reduce the risk of electric shock, leakage-current or resistance measurements shall be carried out (exposed parts are acceptably insulated from the supply circuit) before the appliance is returned to the customer.

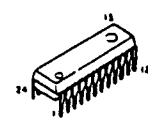
The DC voltage is an actual reading measured with a high impedance type voltmeter with a cassette loaded at playback mode. The measurement value may vary depending on the measuring instruments used or on the product. Bias circuit DC voltage is measured while in the record mode.

DOLBY and the double-D symbol are trademarks of Dolby Laboratories Licensing Corporation. Noise reduction circuit made under license from Dolby Laboratories Licensing Corporation.

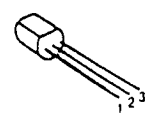
NJM4565L-D



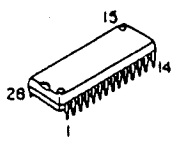
LV1011L



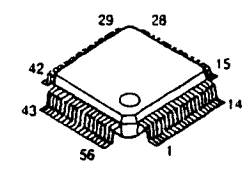
M5237L



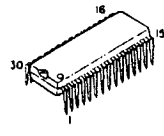
NJU3718L



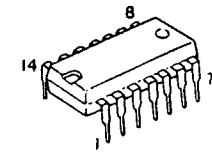
HA12182F



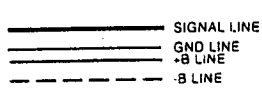
LA6537



M65844P



For Service Manuals Contact  
**MAURITRON TECHNICAL SERVICES**  
 8 Cherry Tree Rd, Chinnor  
 Oxon OX9 4QY  
 Tel:- 01844-351694 Fax:- 01844-352554  
 Email:- enquiries@mauritron.co.uk



RXD-G3/G4/G5/G31/G51(K)(5/6)

Y39-2300-00

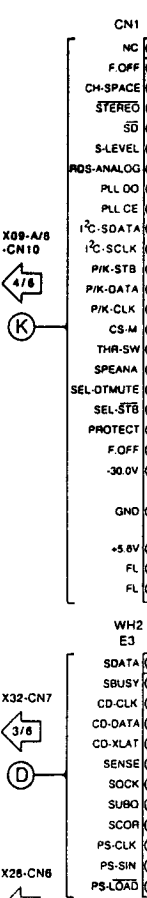
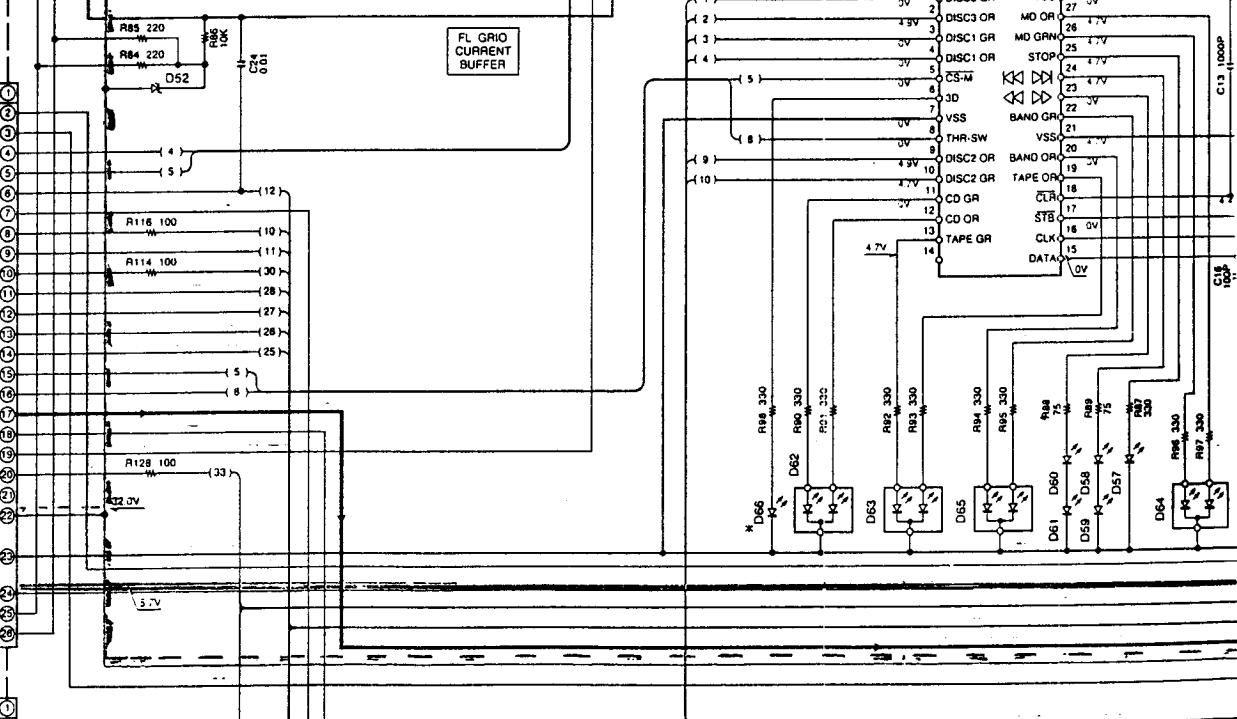
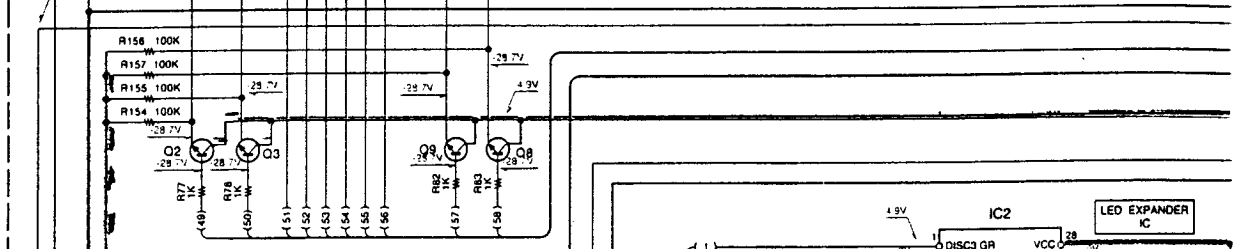
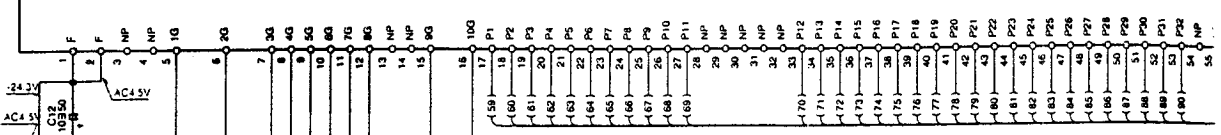
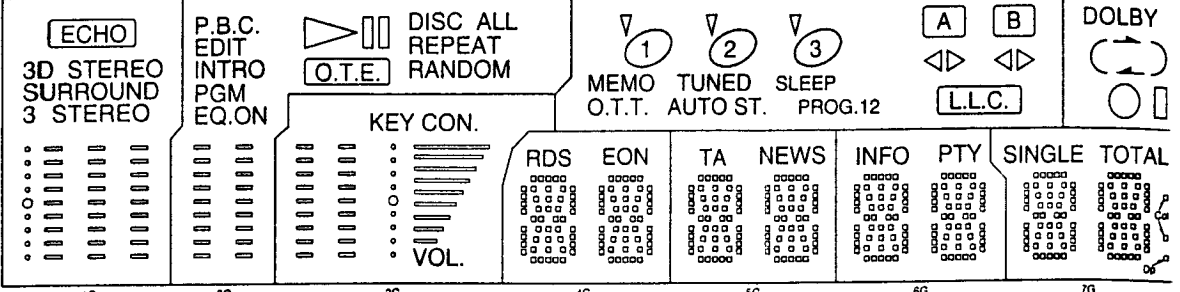
**RXD-G3/G4/G5/G31/G51**

**KENWOOD**

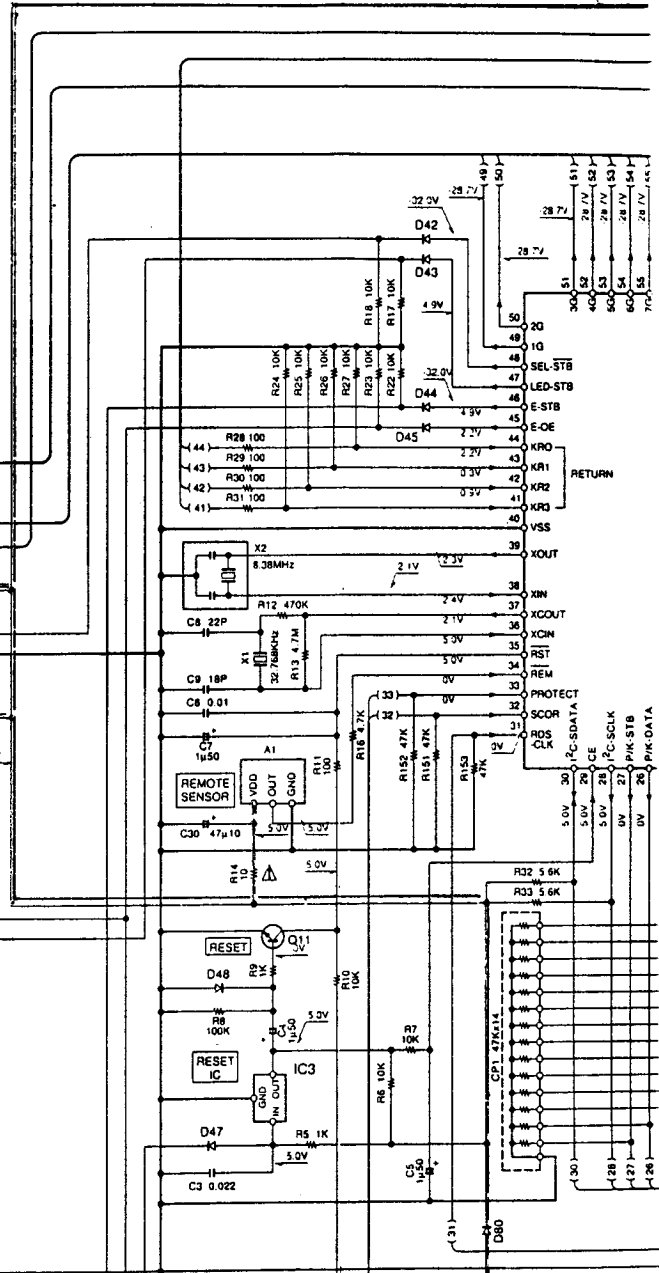
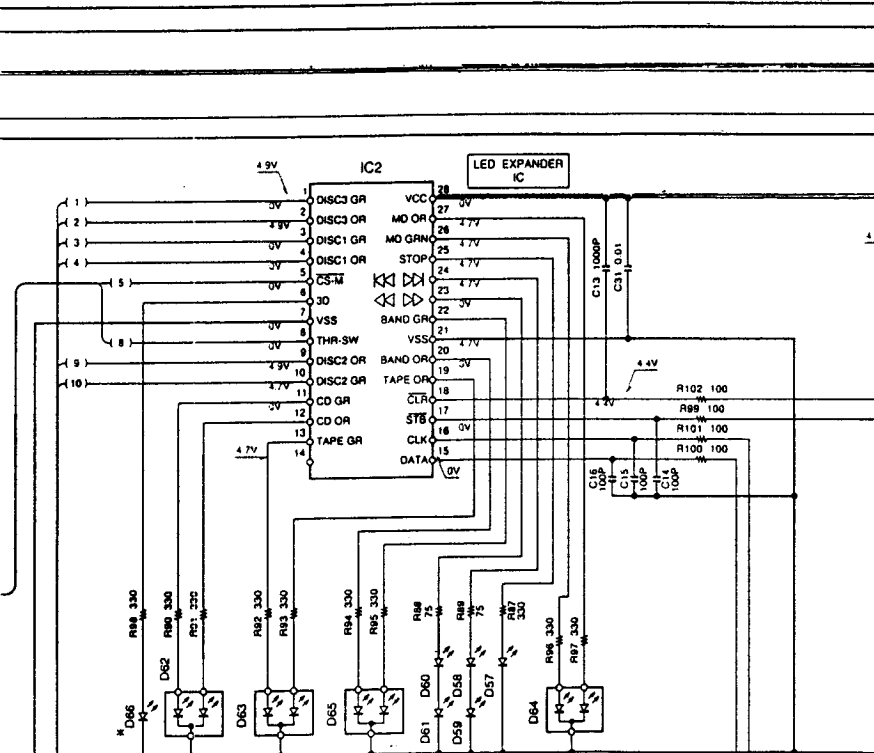
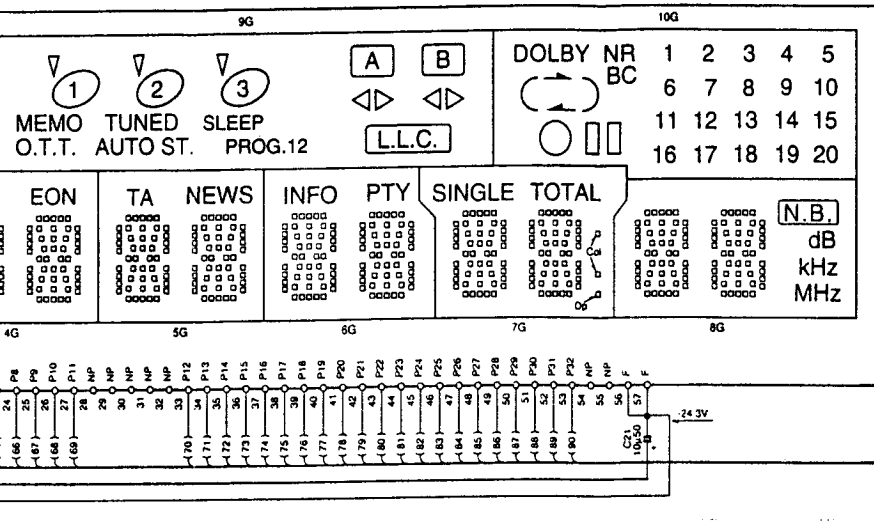
(X14-41XX-XX)(A/2)

\*ED1

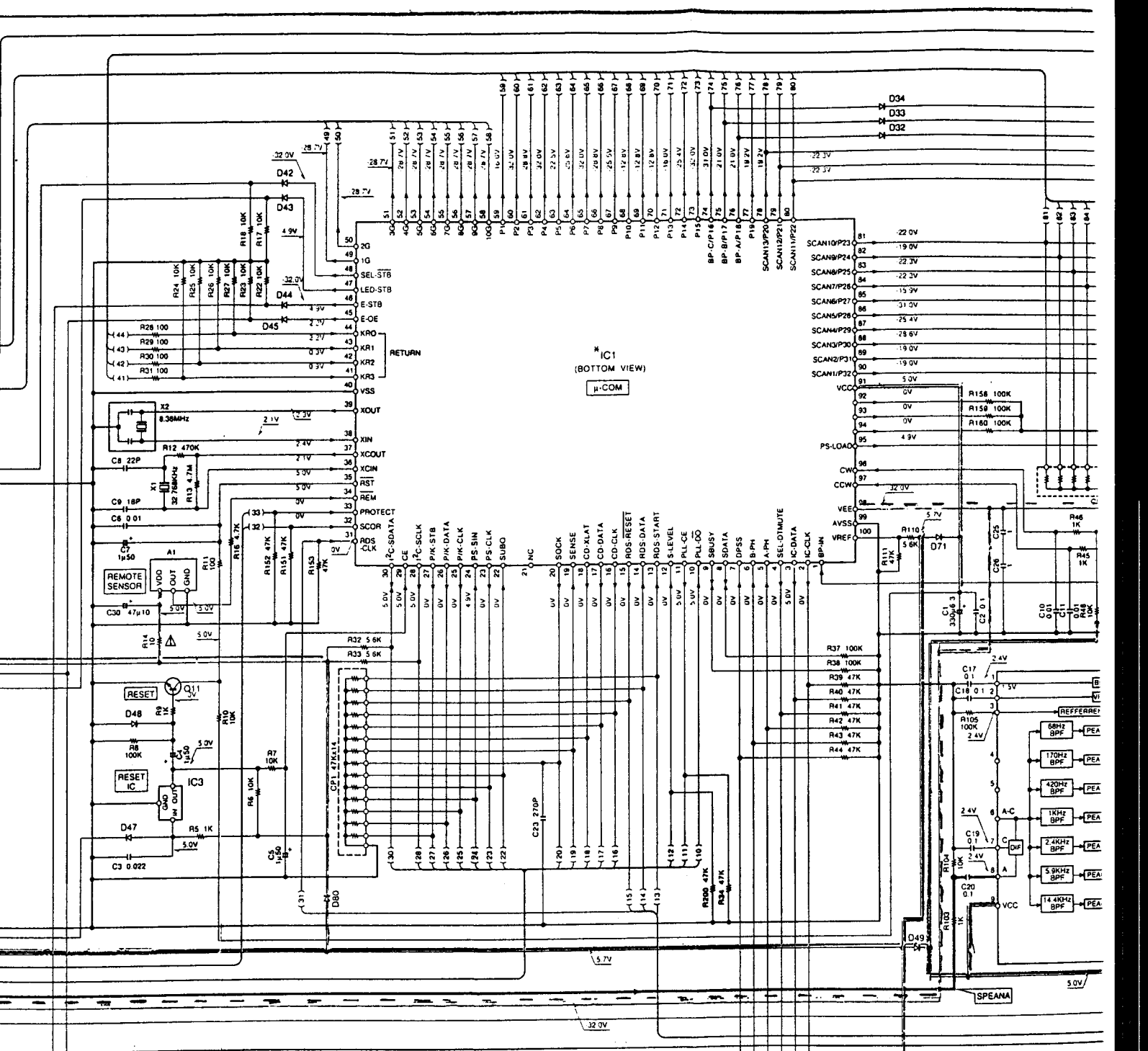
9G



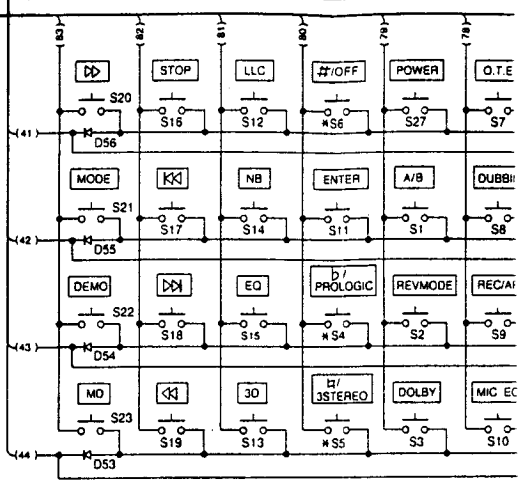
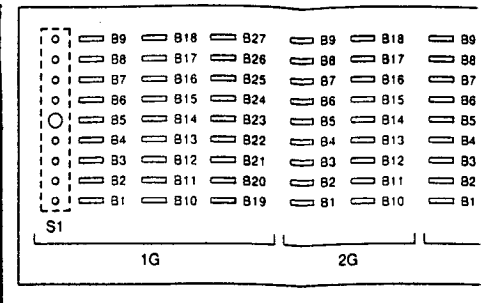
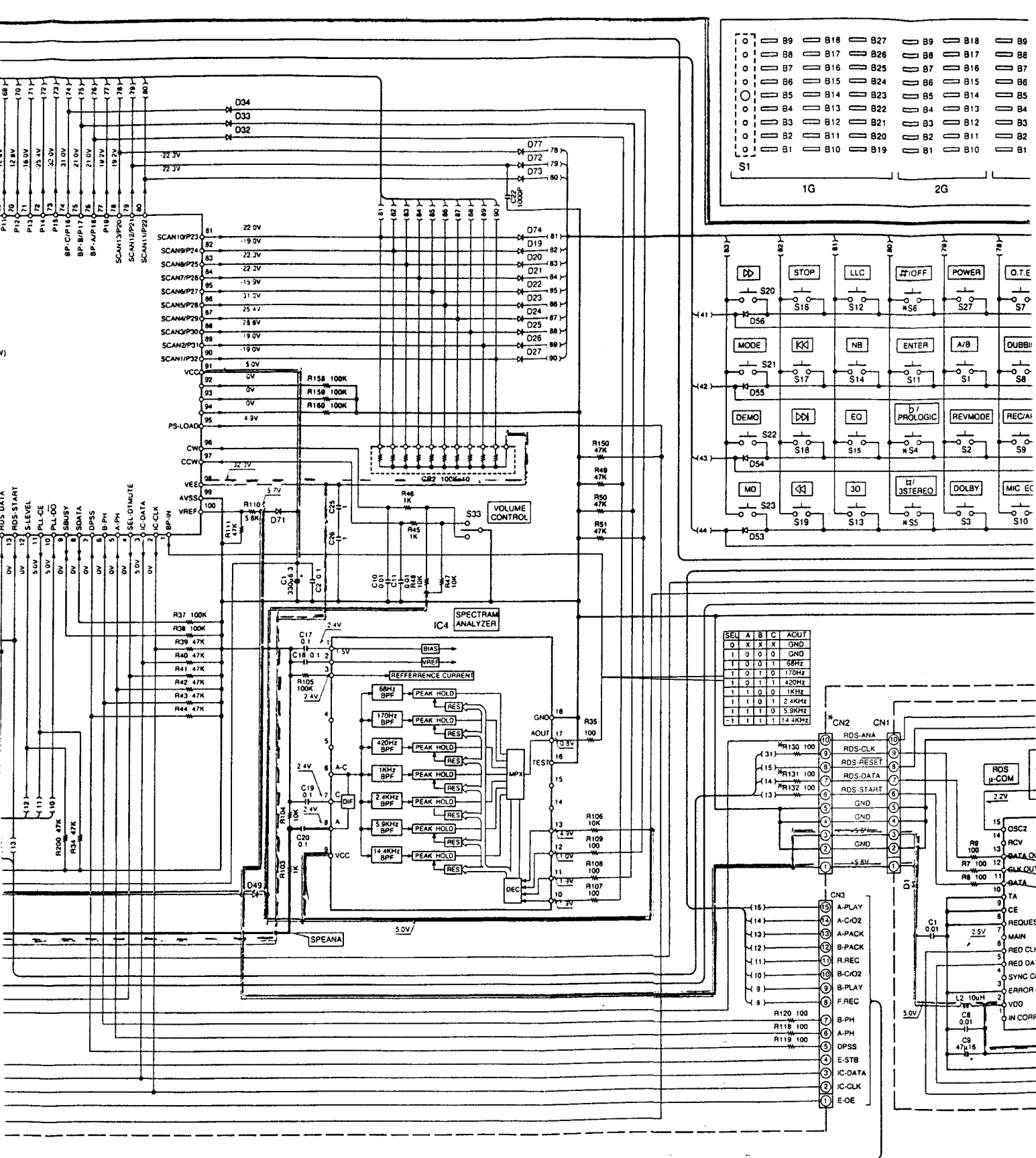
For Service Manuals Contact  
**MAURITRON TECHNICAL SERVICES**  
 8 Cherry Tree Rd, Chinnor  
 Oxon OX9 4QY  
 Tel: 01844-351694 Fax: 01844-352554  
 Email: enquiries@mauritron.co.uk



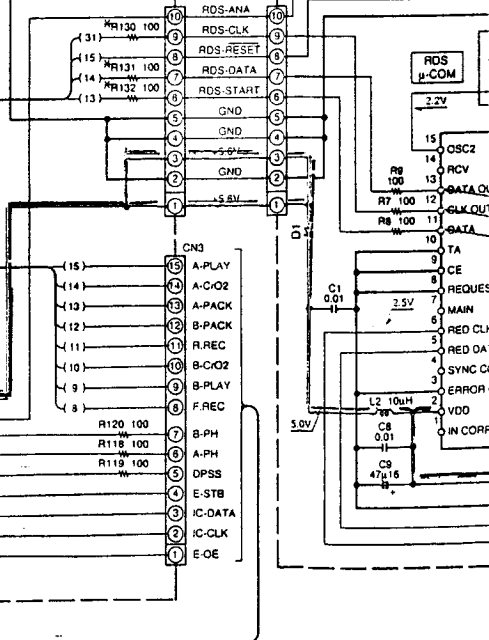


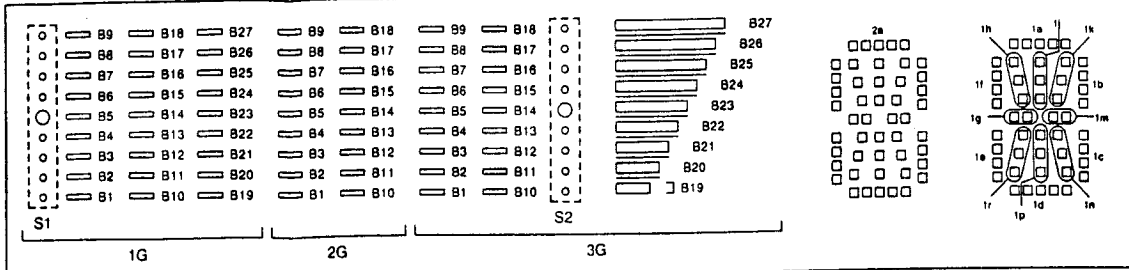


For Service Manuals Contact  
**MAURITRON TECHNICAL SERVICES**  
 8 Cherry Tree Rd, Chinnor  
 Oxon OX9 4QY  
 Tel: 01844 351694 Fax: 01844 352654  
 Email: enquiries@maurtron.co.uk

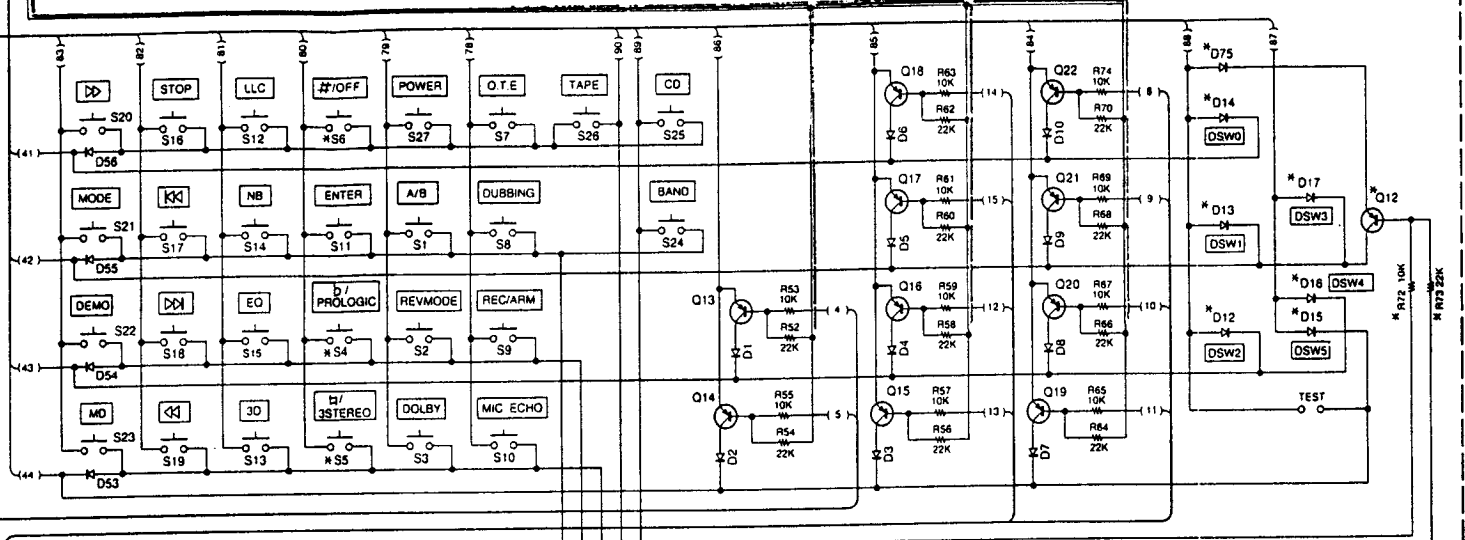


SEL	A	B	C	AOUT
0	X	X	X	GND
1	0	0	0	66KHz
1	0	1	0	170KHz
1	0	1	1	420KHz
1	1	0	0	1KHz
1	1	0	1	2.4KHz
1	1	1	0	5.9KHz
1	1	1	1	14.4KHz

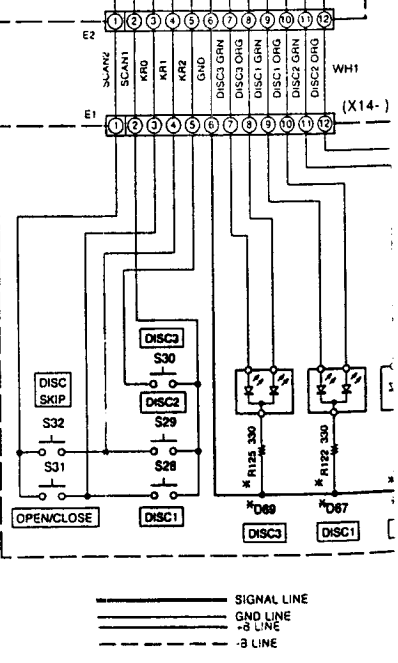
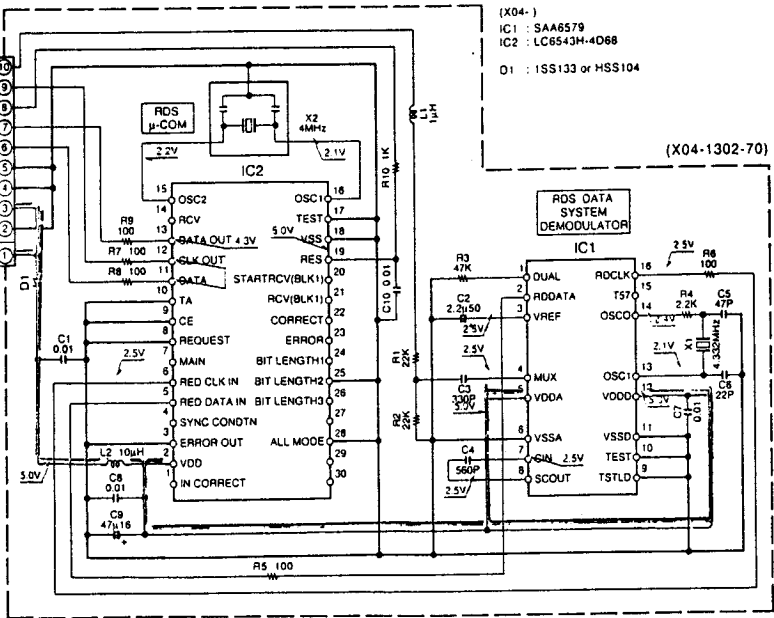
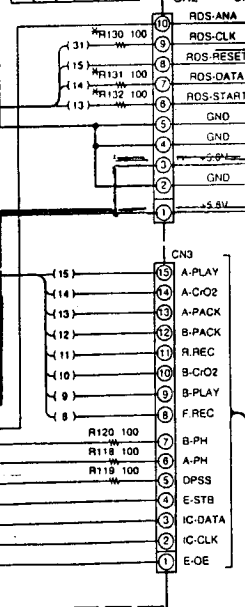




- (X14-)
- IC1 : \*
  - IC2 : NJU3718L
  - IC3 : S-806D-Z or PST993D-T
  - IC4 : BA3835F
- Q2,3,8,9,11 : 25C4081  
 Q12-22 : 25B1218A(O.P) or 25A1578A.
- D1-4,12-17,23,32-34, 42,43,48,75 : MA111  
 D5-10,19-22,24-27,44,45,47, 71-74,77,80 : 1SS131 or HSS104A  
 D52 : NT2J6,8(B) or UZ-6,885B  
 D57-61,86 : 830-2462-05  
 D62-65,67-69 : 830-2476-05



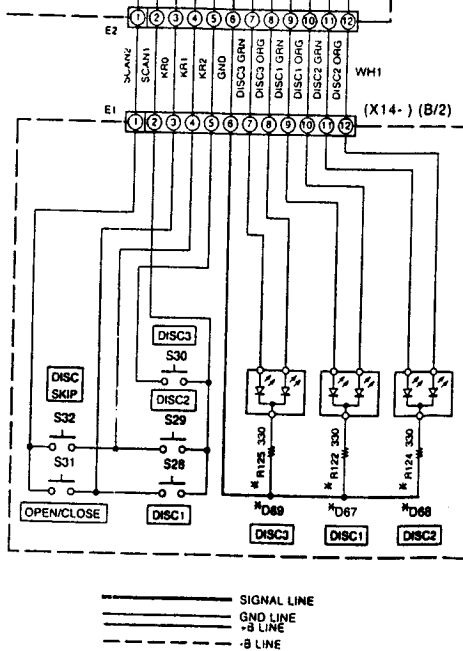
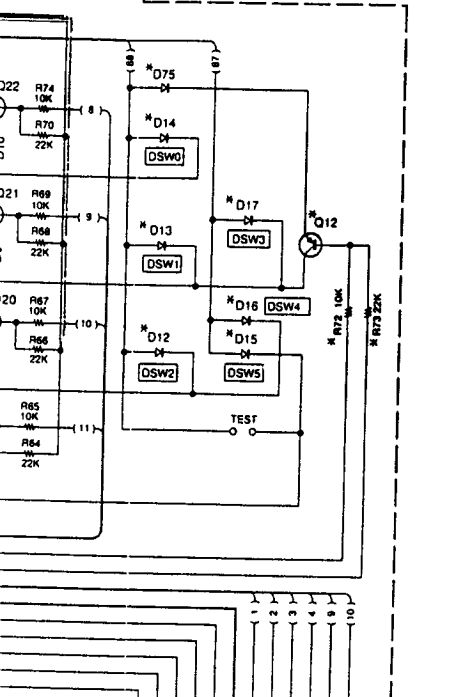
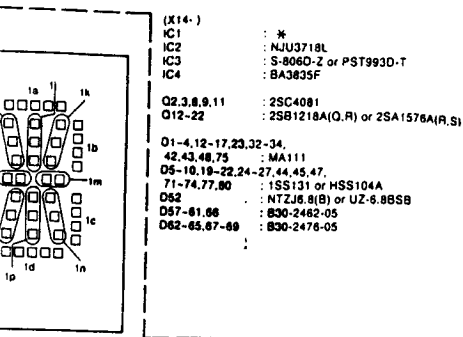
SEL	A	B	C	AOUT
0	X	X	X	GND
1	0	0	0	GND
1	0	0	1	0.9KHZ
1	0	1	0	1.75KHZ
1	0	1	1	4.20KHZ
1	1	0	0	1.0KHZ
1	1	0	1	2.4KHZ
1	1	1	0	3.9KHZ
1	1	1	1	11.4KHZ



SIGNAL LINE  
 GND LINE  
 -B LINE  
 -B LINE

RXD-G3/G4/G5/G31/

For Service Manuals Contact  
**MAURITRON TECHNICAL SERVICES**  
 8 Cherry Tree Rd, Chinnor  
 Oxon OX9 4QY  
 Tel: 01844-351694 Fax: 01844-352554  
 Email: enquiries@maurtron.co.uk



RXD-G3 (X14-410X-XX)

DESTINATION	UNIT No	IC1	Q12	D12	D13	D14	D15-17, 87-89
K	0-11			NO	NO	NO	
P				NO	NO	NO	
Y				NO	NO	NO	
M				NO	NO	NO	
I	0-21	M38198MC-089-FP	YES	NO	NO	YES	NO
C				NO	NO	NO	
X	0-71			NO	NO	YES	NO
T	0-51			NO	YES	NO	NO
E	2-71			NO	YES	NO	YES

DESTINATION	UNIT No	D75	S4-6	ED1	CN2	R72, 73	R122,124,125, 130-132
K	0-11	NO				NO	
P						NO	
Y						NO	
M						NO	
I	0-21	YES	NO	BJ428GK	NO	YES	NO
C						NO	
X	0-71					NO	
T	0-51					NO	
E	2-71					NO	

RXD-G4 (X14-411X-XX)

DESTINATION	UNIT No	IC1	Q12	D12	D13	D14	D15	D16,17 87-89
K	0-11			NO	NO	NO		
P				NO	NO	NO		
Y				NO	NO	NO		
M				NO	NO	NO		
I	0-21	M38198MC-089-FP	YES	NO	NO	YES	NO	YES
C				NO	NO	NO		
X	0-71			NO	NO	YES	NO	NO
T	0-51			NO	YES	NO	NO	NO
E	2-71			NO	YES	NO	NO	YES

DESTINATION	UNIT No	D75	S4-6	ED1	CN2	R72, 73	R122,124, 125	R130-132
K	0-11	NO				NO		
P						NO		
Y						NO		
M						NO		
I	0-21	YES	NO	FIP10FMWR	NO	YES	YES	NO
C						NO		
X	0-71					NO		
T	0-51					YES	NO	YES
E	2-71					YES	NO	YES

RXD-G5 (X14-411X-XX)

DESTINATION	UNIT No	IC1	Q12	D12	D13	D14	D15	D16,17 87-89
K	0-12			NO	NO	NO		
P				NO	NO	NO		
Y				NO	NO	NO		
M				NO	NO	NO		
I	0-22	M38198MC-089-FP	YES	NO	NO	YES	NO	YES
C				NO	NO	NO		
X	0-72			NO	NO	YES	NO	NO
T	0-52			NO	YES	NO	NO	NO
E	2-72			NO	YES	NO	NO	YES

DESTINATION	UNIT No	D75	S4-6	ED1	CN2	R72, 73	R122,124, 125	R130-132
K	0-12	NO				NO		
P						NO		
Y						NO		
M						NO		
I	0-22	YES	YES	FIP10FMWR	NO	YES	YES	NO
C						NO		
X	0-72					NO		
T	0-52					YES	NO	YES
E	2-72					YES	NO	YES

RXD-G31 (X14-4100-22)

DESTINATION	UNIT No	IC1	Q12	D12,13,15, 16,87-89	D14,17 75
M	0-22	M38198MC-089-FP	YES	NO	NO
I				NO	NO
C				NO	NO

DESTINATION	UNIT No	S4-6	ED1	CN2	R72, 73	R122,124, 125, 130-132
ABB	0-22	NO	BJ428GK	NO	YES	NO
M						
I						
C						

RXD-G51 (X14-4110-23)

DESTINATION	UNIT No	IC1	Q12	D12,13, 18	D14,15,17, 87-89,75
M	0-23	M38198MC-089-FP	YES	NO	YES
I				NO	NO
C				NO	NO

DESTINATION	UNIT No	S4-6	ED1	CN2	R72,73,122, 124,125	R130-132
ABB	0-23	NO	FIP10FMWR	NO	YES	NO
M						
I						
C						

DESTINATION	COUNTRY	ABB
U.S.A.	U.S.A.	K
CANADA	CANADA	P
FX	FX	F
GENERAL MARKET	GENERAL MARKET	M
MALAYSIA	MALAYSIA	I
CHINA	CHINA	C
AUSTRALIA	AUSTRALIA	X
U.K.	U.K.	T
EUROPE	EUROPE	E

**CAUTION:** For continued safety, replace safety critical components only with manufacturer's recommended parts (refer to parts list). ⚠ indicates safety critical components. For continued protection against risk of fire, replace only with same type and rating fuse(s). To reduce the risk of electric shock, leakage-current or resistance measurements shall be carried out (exposed parts are acceptably insulated from the supply circuit) before the appliance is returned to the customer.

The DC voltage is an actual reading measured with a high impedance type voltmeter with no signal input. The measurement value may vary depending on the measuring instruments used or on the product.

For Service Manuals Contact  
**MAURITRON TECHNICAL SERVICES**  
 8 Cherry Tree Rd, Chinnor  
 Oxon OX9 4QY  
 Tel: 01844-351694 Fax: 01844-352554  
 Email: enquiries@mauritron.co.uk

RXD-G3/G4/G5/G31/G51(K)(6/6)

