

UD COMPONENT SYSTEM/COMPACT HI-FI SYSTEM
RXD-G3/G4/G5/G31/G51
SERVICE MANUAL
 (UD-305/315/405/505/515)

KENWOOD

For Service Manuals Contact
MAURITRON TECHNICAL SERVICES
 8 Cherry Tree Rd, Chinnor
 Oxon OX9 4QY
 Tel: 01844-351694 Fax: 01844-352554
 Email: enquiries@mauritron.co.uk

© 1996-2/B51-5149-00 (K/K) 4202

For Service Manuals Contact
MAURITRON TECHNICAL SERVICES
 8 Cherry Tree Rd, Chinnor
 Oxon OX9 4QY
 Tel: 01844-351694 Fax: 01844-352554
 Email: enquiries@mauritron.co.uk

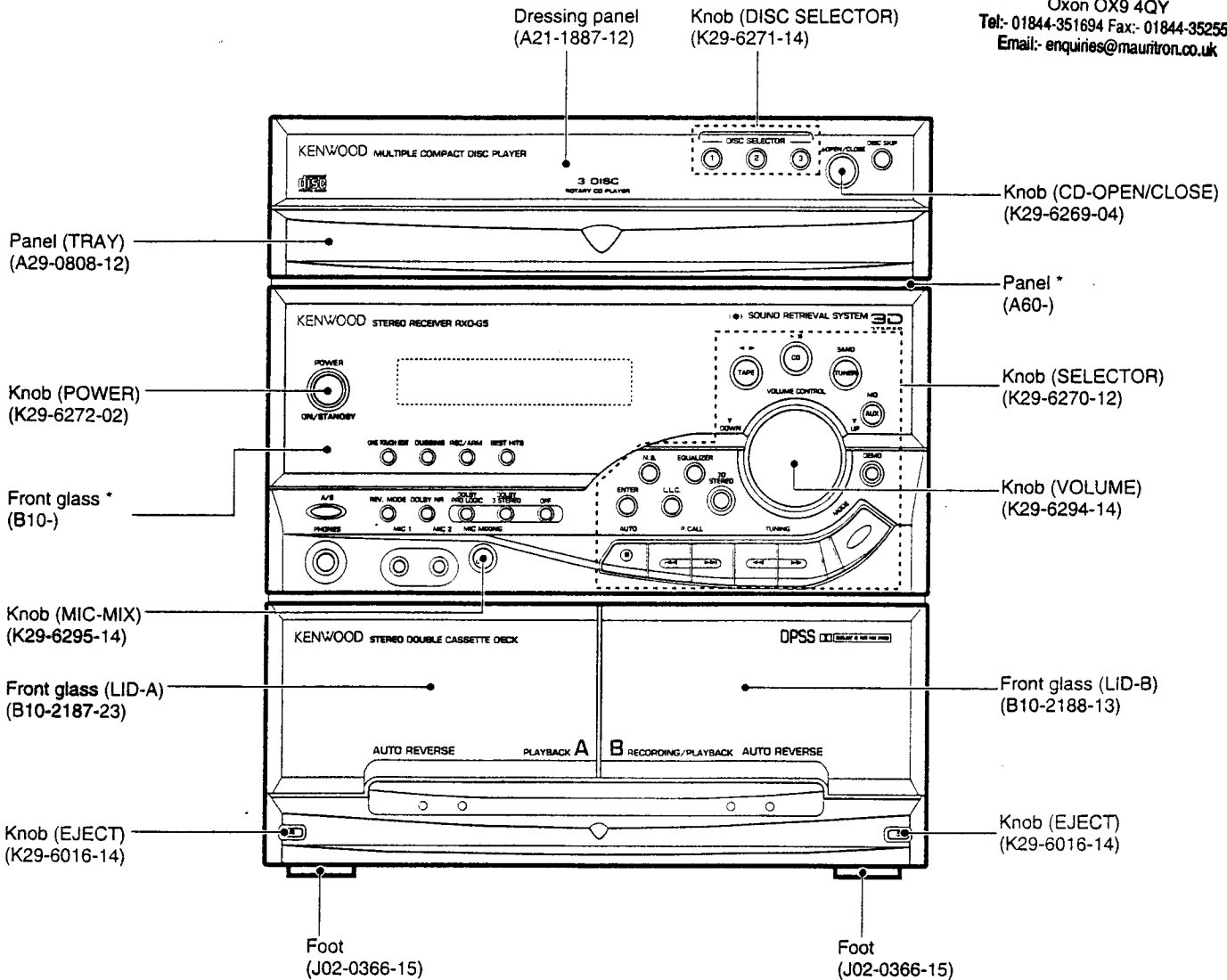
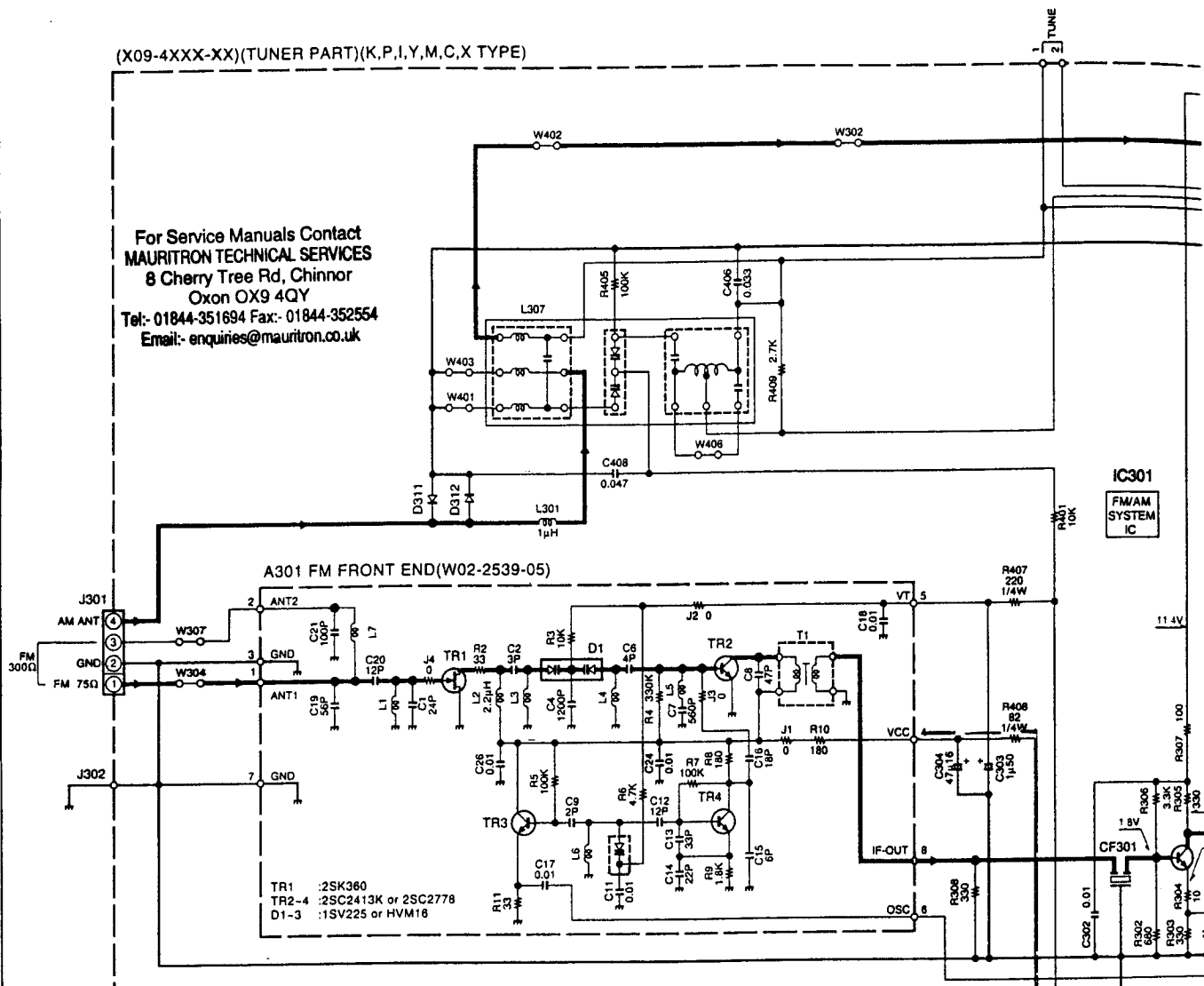


Illustration is RXD-G5.

* Refer to parts list on page 63.

(X09-4XXX-XX)(TUNER PART)(K,P,I,Y,M,C,X TYPE)

For Service Manuals Contact
MAURITRON TECHNICAL SERVICES
 8 Cherry Tree Rd, Chinnor
 Oxon OX9 4QY
 Tel: 01844-351694 Fax: 01844-352554
 Email: enquiries@mauritron.co.uk



A301 FM FRONT END(W02-2539-05)

TR1 :2SK360
 TR2-4 :2SC2413K or 2SC2778
 D1-3 :1SV225 or HVM18

RXD-G3 (X09-413X-XX)

DESTINATION	UNIT No.	Q315, 316	R373-378	C387, 388	C311, 312	S301	W334
K							
P	0-11	NO	NO	NO	0.022	NO	NO
Y							
M	0-21	YES	YES	YES	0.012	YES	YES
I							
C	3-01	NO	NO	NO		NO	NO
X	0-71	NO	NO	NO		NO	NO

RXD-G4 (X09-432X-XX)

DESTINATION	UNIT No.	Q315, 316	R373-378	C387, 388	C311, 312	S301	W334
K							
P	0-11	NO	NO	NO	0.022	NO	NO
Y							
M	0-21	YES	YES	YES	0.012	YES	YES
I							
C	3-01	NO	NO	NO		NO	NO
X	0-71	NO	NO	NO		NO	NO

RXD-G5 (X09-445X-XX)

DESTINATION	UNIT No.	Q315, 316	R373-378	C387, 388	C311, 312	S301	W334
K							
P	0-10	NO	NO	NO	0.022	NO	NO
Y							
M	0-21	YES	YES	YES	0.012	YES	YES
I							
C	3-01	NO	NO	NO		NO	NO
X	0-71	NO	NO	NO		NO	NO

RXD-G31

DESTINATION	UNIT No.	Q315, 316	R373-378	C387, 388	C311, 312	S301	W334
M	0-22	YES	YES	YES	0.012	YES	YES
I							
C	3-01	NO	NO	NO		NO	NO

(X09-)

- IC301 : BA1450S
- IC302 : LC72131
- IC303 : NJM4565D
- Q301 : 2SC2714(R.O)
- Q302,307 : 2SB1218A(Q.R) or 2SA1578A(R.S)
- Q304-306,315,316 : 2SD1819A(Q.R) or 2SC4081(R.S)

- D301 : MTZJ6.8(B) or UZ-6.8BSB
- D302,308,311,312 : 1SS133 or HSS104
- D308 : MTZJ5.1(B) or UZ-5.1BSB
- D315 : MTZJ3.3(B) or UZ-3.3BSB

DESTINATION	COUNTRY	ABB
	U.S.A.	K
	CANADA	P
	PX	Y
GENERAL MARKET		M
	MALAYSIA	I
	CHINA	C
	AUSTRALIA	X

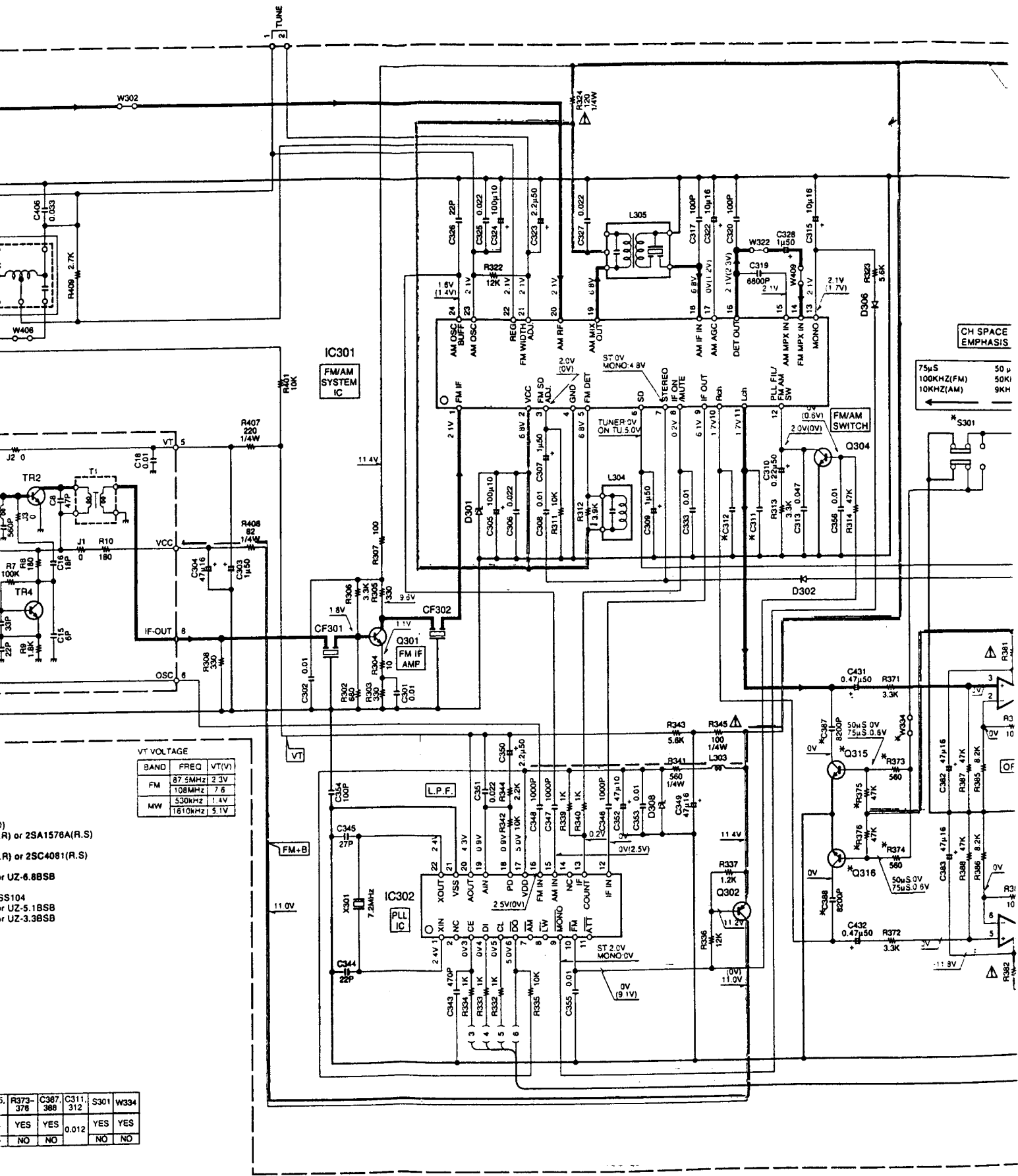
RXD-G51 (X09-445X-XX)

DESTINATION	UNIT No.	Q315, 316	R373-378	C387, 388	C311, 312	S301	W334
M	0-22	YES	YES	YES	0.012	YES	YES
I							
C	3-02	NO	NO	NO		NO	NO

BAND	FREQ	VT(V)
FM	87.5MHz	2.3V
	108MHz	7.6
MW	530kHz	1.4V
	1610kHz	5.1V

CAUTION: For continued safety, replace safety critical components only with manufacturer's recommended parts (refer to parts list). Δ indicates safety critical components. For continued protection against risk of fire, replace only with same type and rating fuse(s). To reduce the risk of electric shock, leakage-current or resistance measurements shall be carried out (exposed parts are acceptably insulated from the supply circuit) before the appliance is returned to the customer.

The DC voltage is an actual real voltmeter as the AM/FM signal generator the list below. The measurement instruments used or on the product measured in the AM mode.



VT VOLTAGE

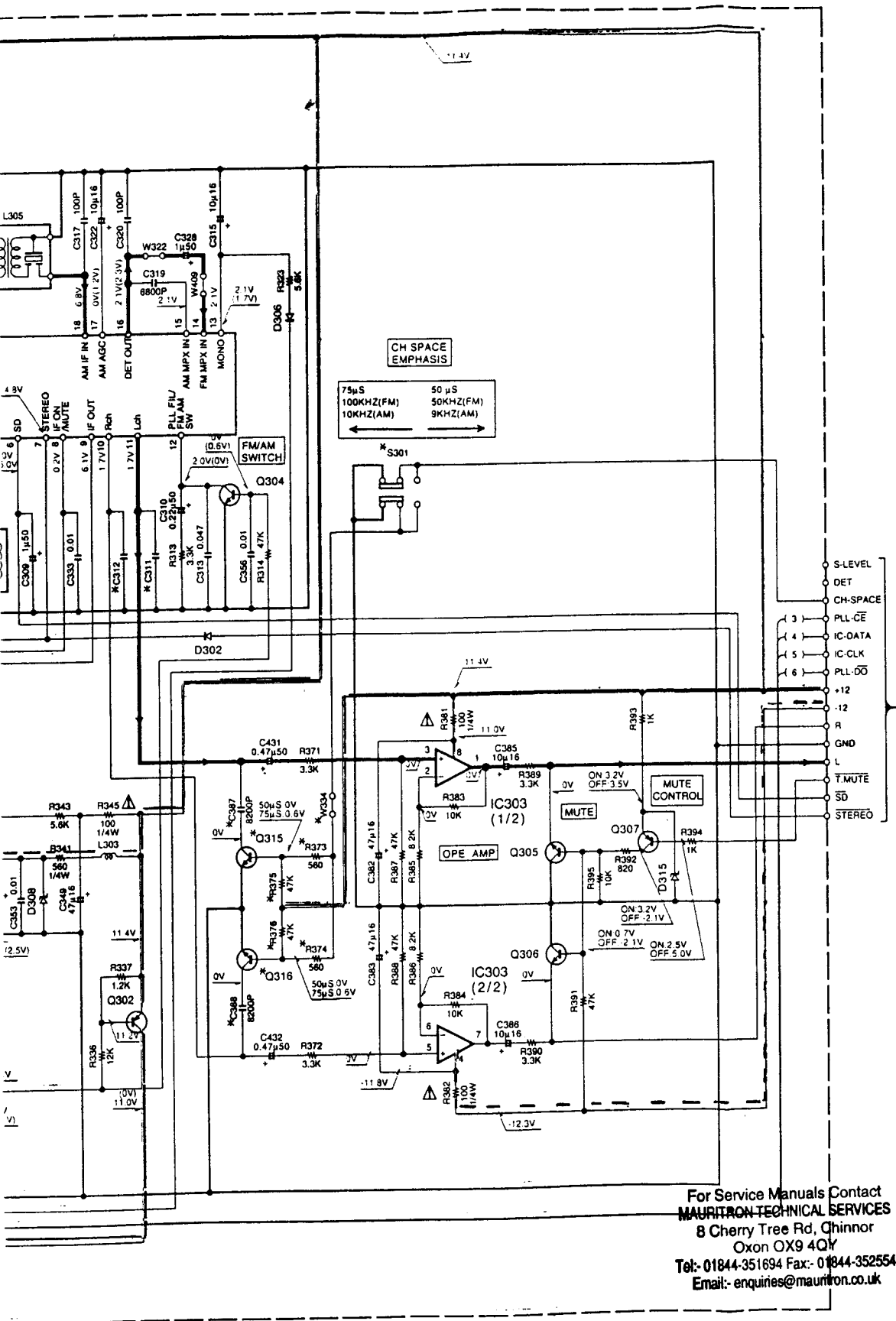
BAND	FREQ	VT(V)
FM	87.5MHZ	2.3V
	108MHZ	7.6
MW	530KHZ	1.4V
	1610KHZ	5.1V

- () or 2SA1576A(R.S)
 - () or 2SC4081(R.S)
 - or UZ-6.88SB
 - GS104
 - or UZ-5.18SB
 - or UZ-3.38SB
- | 5, R373-376 | C387-388 | C311, 312 | S301 | W334 |
|-------------|----------|-----------|------|------|
| YES | YES | 0.012 | YES | YES |
| NO | NO | | NO | NO |

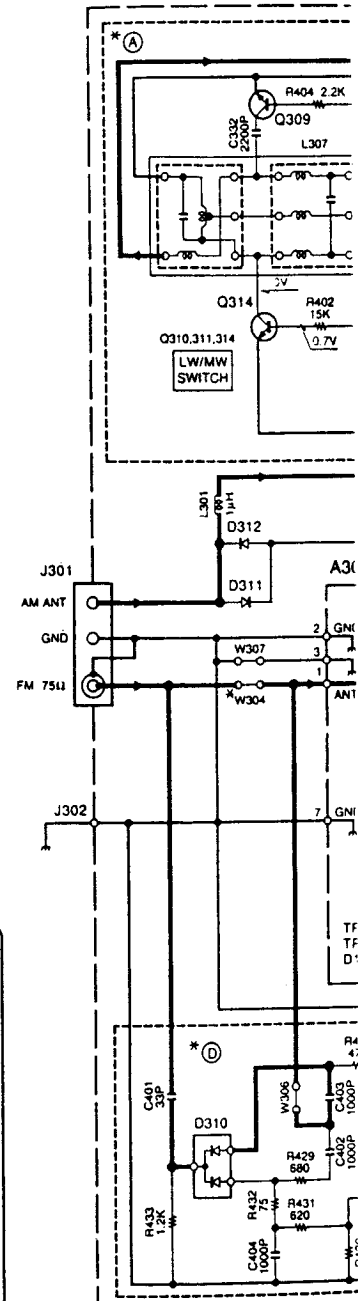
The DC voltage is an actual reading measured with a high impedance type voltmeter as the AM/FM signal generator is specified to the conditions as shown in the list below. The measurement value may vary depending on the measuring instruments used or on the product. The value shown in () is actual reading measured in the AM mode.

MODE	CARRIER	MODU	
		FREQUENCY	
FM	98MHz	1kHz	STERE
AM	1000(999)kHz	400Hz	MONO

Components only with indicates safety critical. Use only with same leakage-current or parts are acceptably to the customer.



(X09-43XX-XX)(TUNER PART)



RXD-G3 (X09-431X-XX)						
DESTINATION	COUNTRY ABB	UNIT No.	A	B	C	D
EUROPE	E	2-71	NO	YES		
U.K.	T	0-51	YES	NO	NO	NO

RXD-G4 (X09-432X-XX)						
DESTINATION	COUNTRY ABB	UNIT No.	A	B	C	D
EUROPE	E	2-71	NO	YES		
U.K.	T	0-51	YES	NO	YES	YES

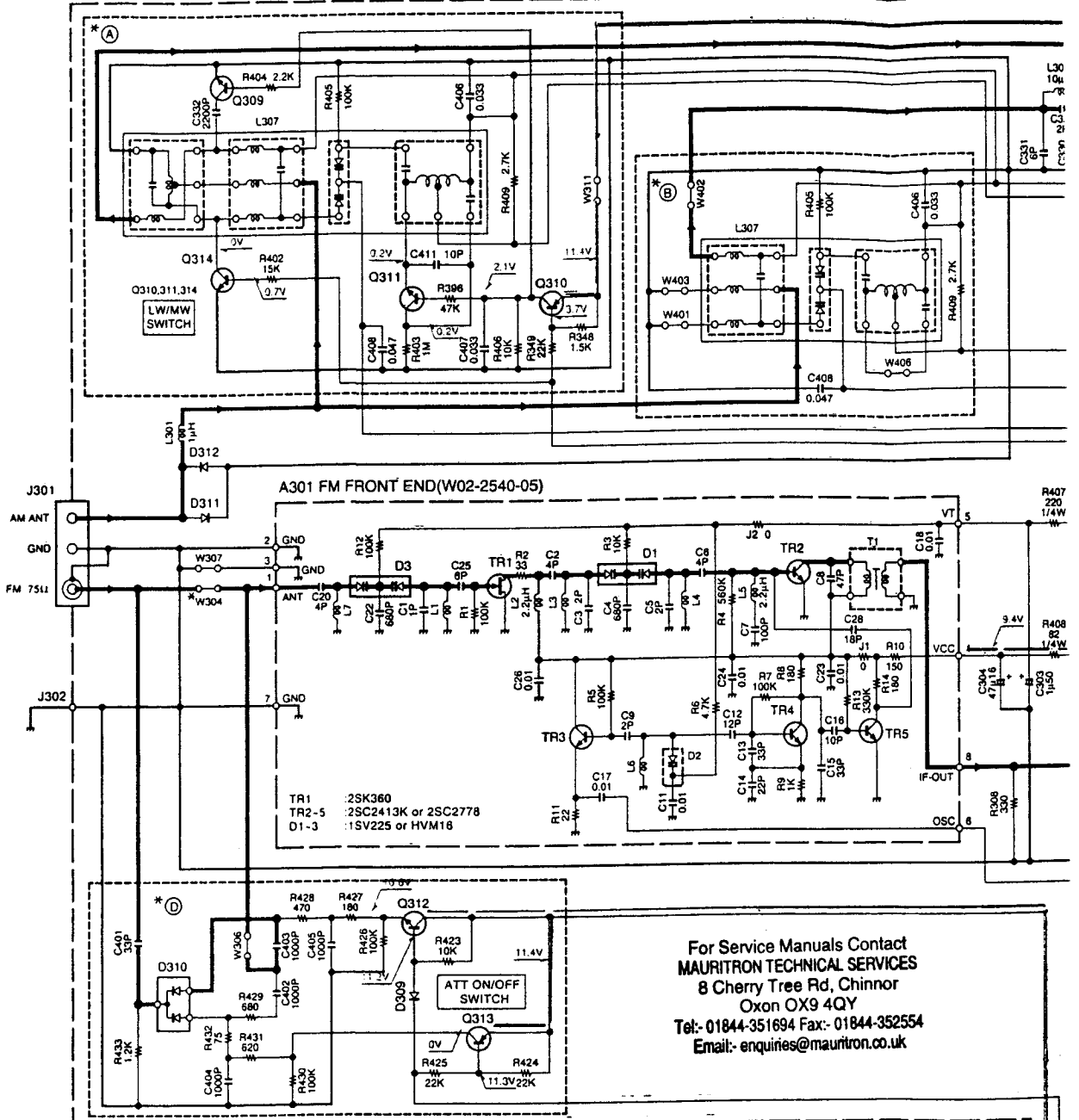
RXD-G5 (X09-445X-XX)						
DESTINATION	COUNTRY ABB	UNIT No.	A	B	C	D
EUROPE	E	2-71	NO	YES		
U.K.	T	0-51	YES	NO	YES	YES

For Service Manuals Contact
MAURITRON TECHNICAL SERVICES
 8 Cherry Tree Rd, Qhinnor
 Oxon OX9 4QY
 Tel: 01844-351694 Fax: 01844-352554
 Email: enquiries@mauritron.co.uk

nce type
 shown in
 measuring
 l reading

MODE	CARRIER	MODULATION		ANT INPUT
		FREQUENCY	DEVIATION	
FM	98MHz	1kHz	STEREO 67.5kHz 7.5kHz(Pilot)	60dB
AM	1000(999)kHz	400Hz	MONO 30% MOD	60dB

(X09-43XX-XX)(TUNER PART)(T.E TYPE)



For Service Manuals Contact
MAURITRON TECHNICAL SERVICES
 8 Cherry Tree Rd, Chinnor
 Oxon OX9 4QY
 Tel:- 01844-351694 Fax:- 01844-352554
 Email:- enquiries@mauritron.co.uk

VT VOLTAGE		
BAND	FREQ	VT(V)
FM	87.5MHz	2.3V
	108MHz	7.6V
MW	531kHz	1.4V
	1802kHz	5.1V

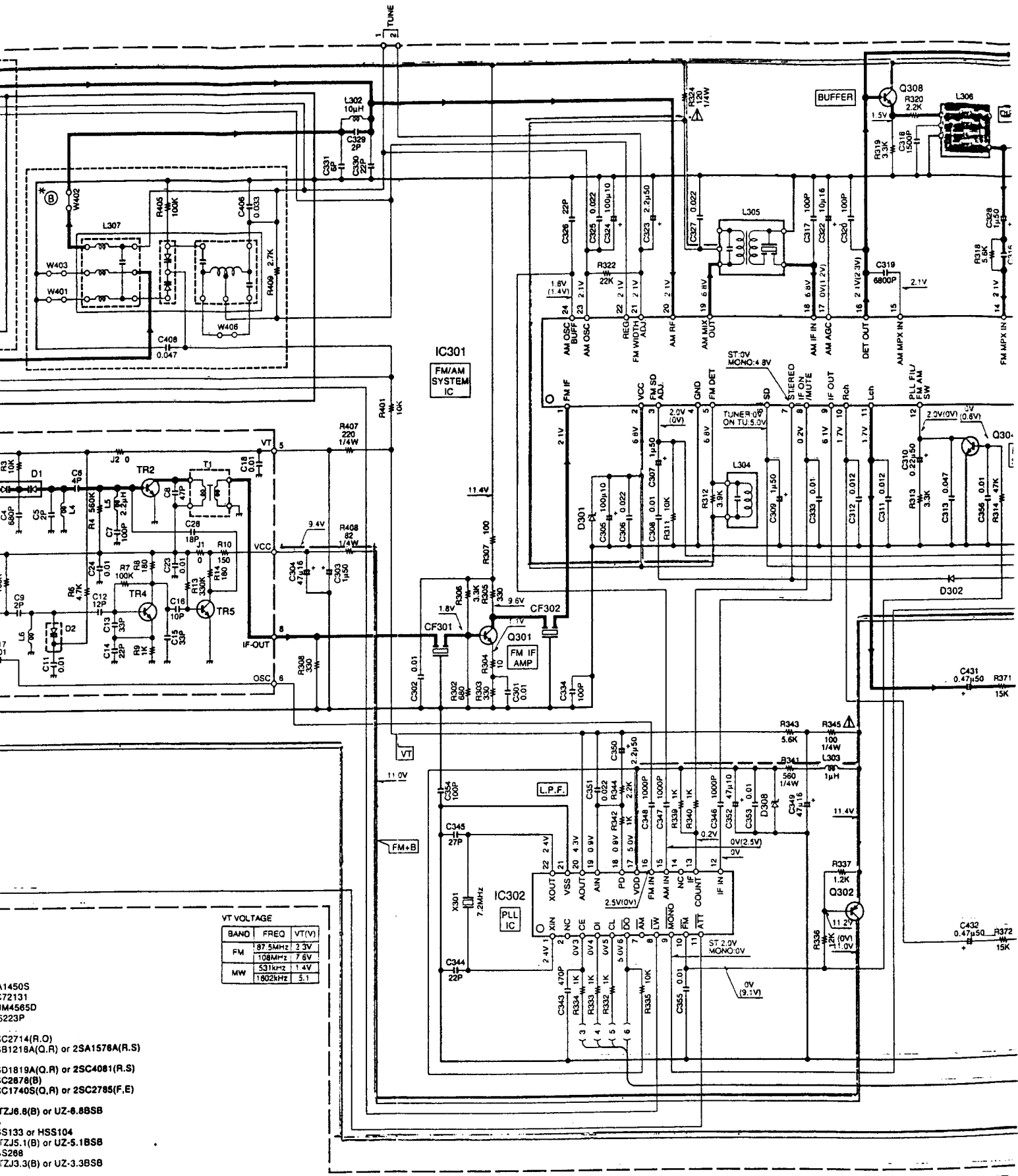
RXD-G3 (X09-431X-XX)							
DESTINATION	COUNTRY	UNIT No.	(A)	(B)	(C)	(D)	W304
EUROPE	E	2-71	NO	YES	NO	NO	NO
U.K.	Y	0-51	YES	NO	NO	NO	YES

RXD-G4 (X09-432X-XX)							
DESTINATION	COUNTRY	UNIT No.	(A)	(B)	(C)	(D)	W304
EUROPE	E	2-71	NO	YES	YES	YES	NO
U.K.	Y	0-51	YES	NO	NO	NO	NO

RXD-G5 (X09-445X-XX)							
DESTINATION	COUNTRY	UNIT No.	(A)	(B)	(C)	(D)	W304
EUROPE	E	2-71	NO	YES	YES	YES	NO
U.K.	Y	0-51	YES	NO	NO	NO	NO

(X09-)	
IC301	: BA1450S
IC302	: LC72131
IC303	: NJM4565D
IC305	: MS223P
Q301	: 2SC2714(R,O)
Q302,307,310,313	: 2SB1218A(Q,R) or 2SA1576A(R,S)
Q304-306,308,309,312	: 2SD1819A(Q,R) or 2SC4081(R,S)
Q311	: 2SC2878(B)
Q314	: 2SC1740S(Q,R) or 2SC2785(F,E)
D301	: MTZJ6.8(B) or UZ-6.8BSB
D302,306,309,311,312,314	: 1SS133 or HSS104
D308	: MTZJ5.1(B) or UZ-5.1BSB
D310	: 1SS268
D315	: MTZJ3.3(B) or UZ-3.3BSB

INPUT
 IB
 B



VT VOLTAGE

BAND	FREQ	VT(V)
FM	87.5MHz	3.3V
	108MHz	7.6V
MW	531kHz	1.4V
	1602kHz	5.1

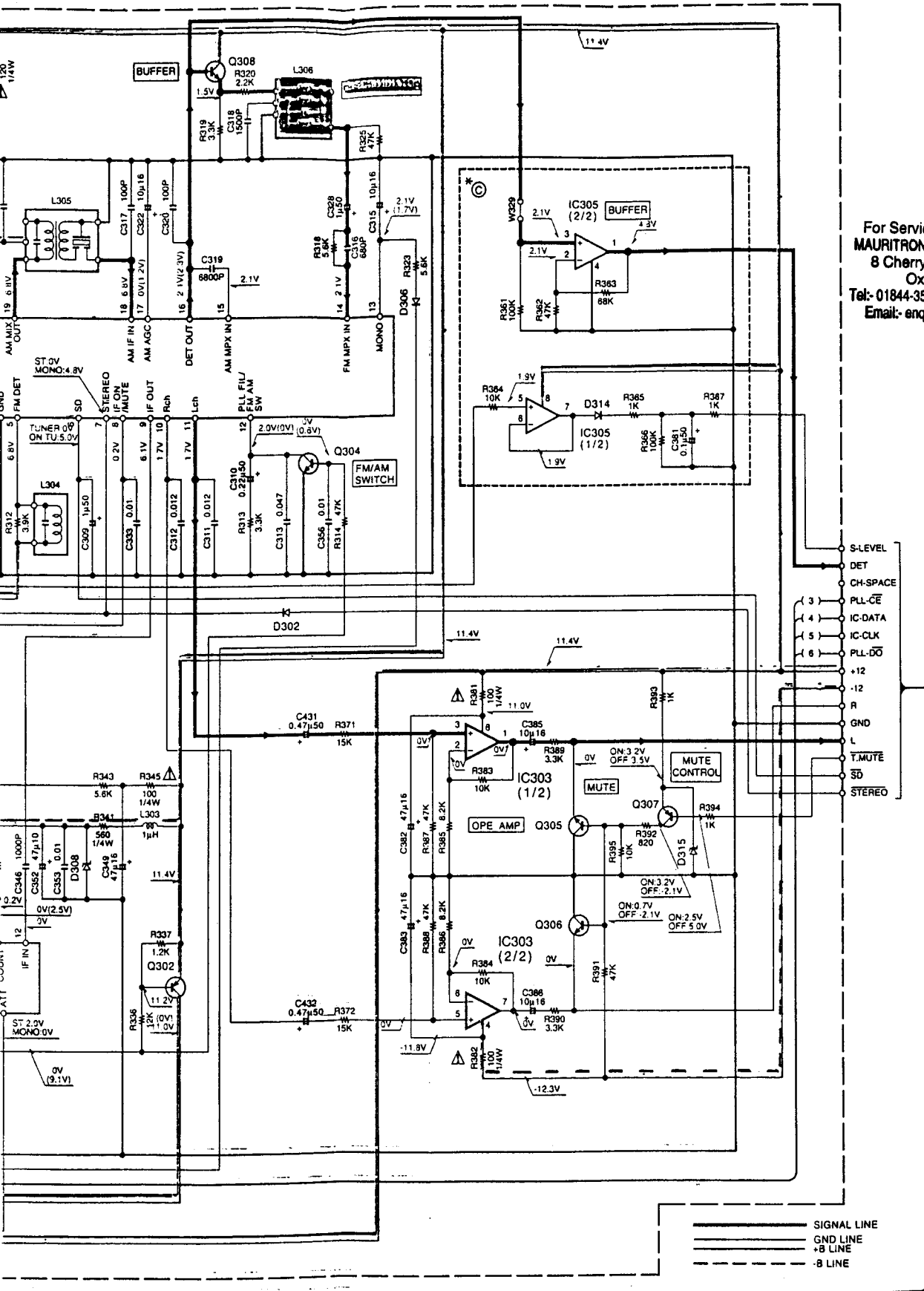
- IC2714 (R.O)
- IC1819A (Q.R) or 25CA4081 (R.S)
- IC2878 (B)
- IC1740S (Q.R) or 25C2785 (F.E)
- IC17J6.6 (B) or UZ-6.68SB
- IC17J5.1 (B) or UZ-5.1BSB
- IC17J3.3 (B) or UZ-3.3BSB

C432 0.47µ50 R372 15K

C431 0.47µ50 R371 15K

C310 0.22µ50 Q302

C318 1500P Q308



For Service Manuals Contact
MAURITRON TECHNICAL SERVICES
 8 Cherry Tree Rd, Chinnor
 Oxon OX9 4QY
 Tel: 01844-351694 Fax: 01844-352554
 Email: enquiries@maurtron.co.uk

RXD-G3/G4/G5/G31/G51(K)(1/6)

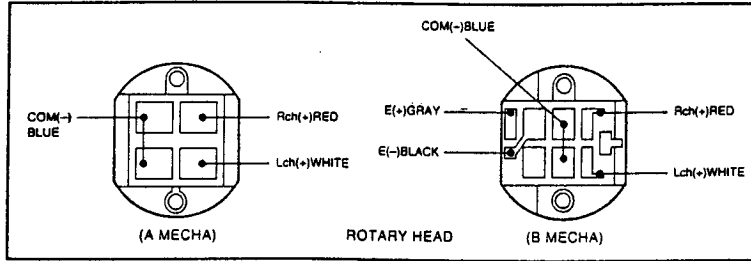
Y39-2300-00

RXD-G3/G4/G5/G31/G51

KENWOOD

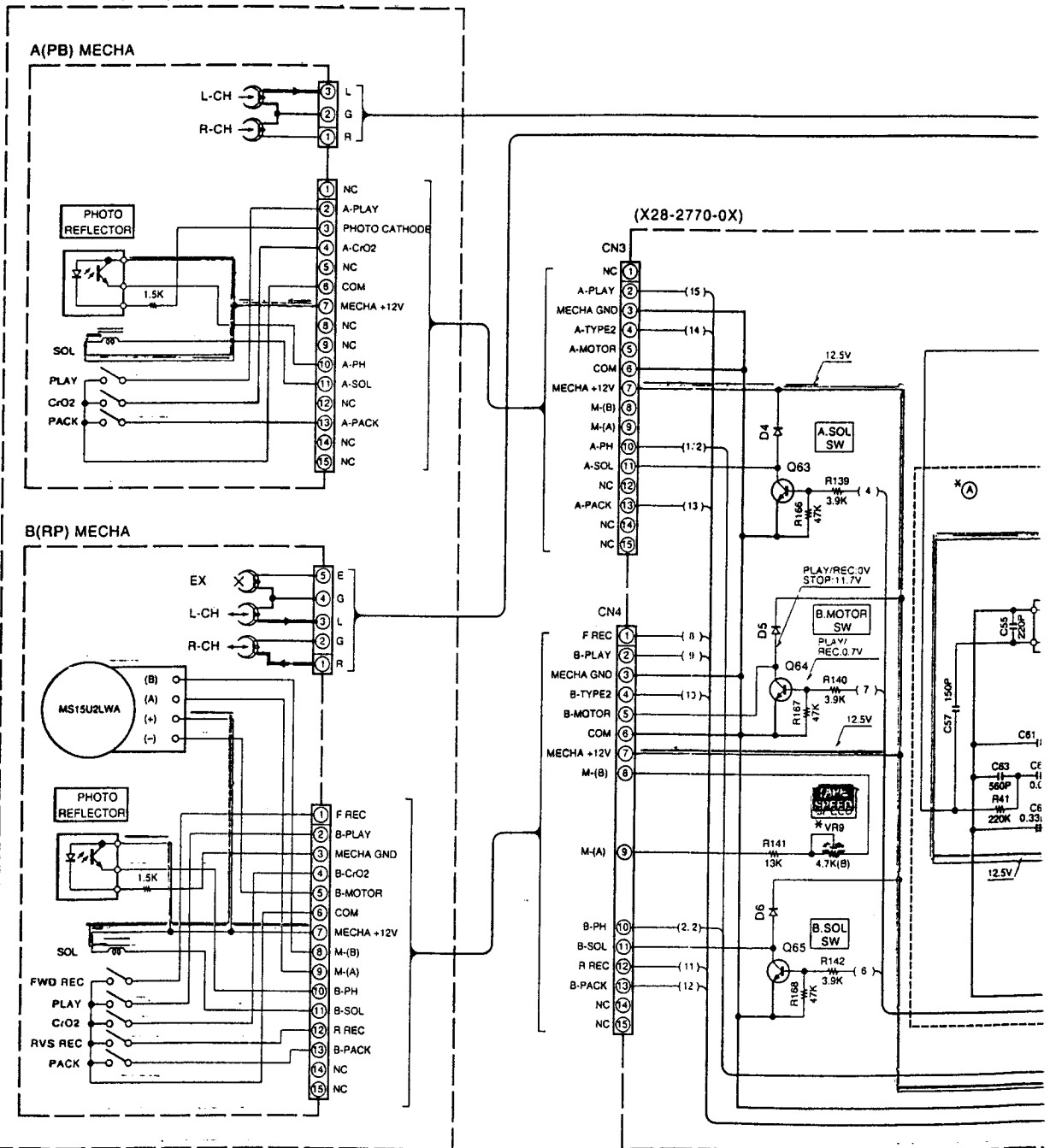
For Service Manuals Contact
MAURITRON TECHNICAL SERVICES
 8 Cherry Tree Rd, Chinnor
 Oxon OX9 4QY
 Tel: 01844-351694 Fax: 01844-352554
 Email: enquiries@mauritron.co.uk

MODEL NAME	UNIT No.	A	C17, 18	C111, 112	C107	C113	R110	R127	R130, 131	R132, 133	W
RXD-G3	X28-2770-00	NO	YES	3300P	8200P/100	2.2u50	YES	82K	5.8/14W	33K	Y
RXD-G4	X28-2770-01	YES	NO	5800P	0.01u/100	4.7u35	NO	120K	10/14W	22K	F



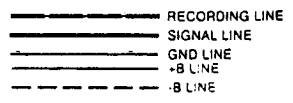
(X28-
 IC1,2
 IC3
 IC4
 IC5
 IC6,7
 Q1,2,5
 Q52,5f
 Q54,5e
 Q58
 Q60
 Q63-6
 D1,2,4
 D7

DECK MECHA (RVS type) D40-1427-08



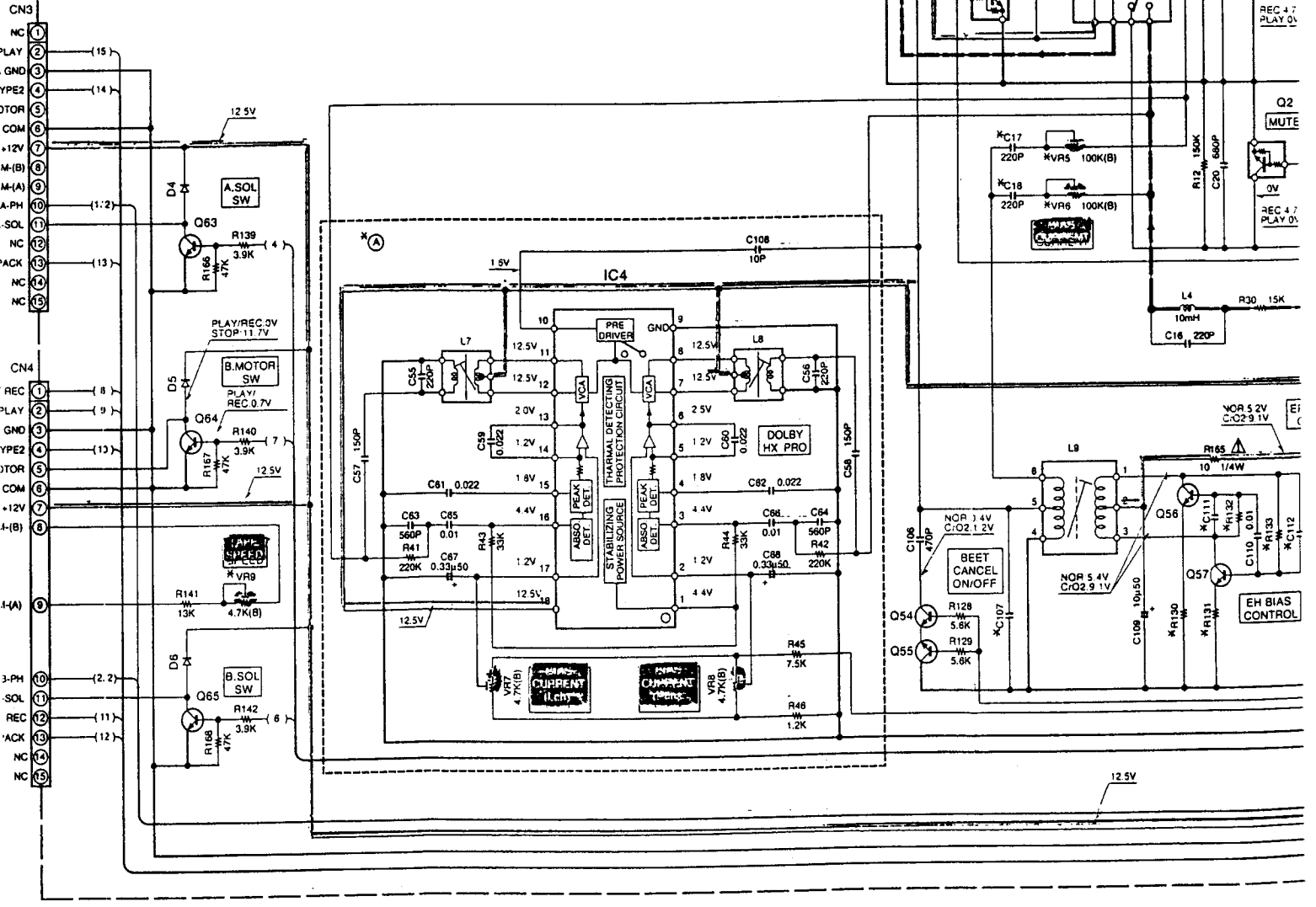
MODEL NAME	UNIT No.	A	C17, 118	C111, 112	C107	C113	R110	R127	R130, 131	R132, 133	VR5,6	L9	VR9
RXD-G3	X28-2770-00	NO	YES	3300P	8200P 100	2.2μ50	YES	82K	5.8 1/4W	33K	YES	L32-0542-05	R12-1819-05
RXD-G4	X28-2770-01	YES	NO	5800P	0.01μ 100	4.7μ35	NO	120K	10 1/4W	22K	NO	L32-0570-05	R32-0038-05

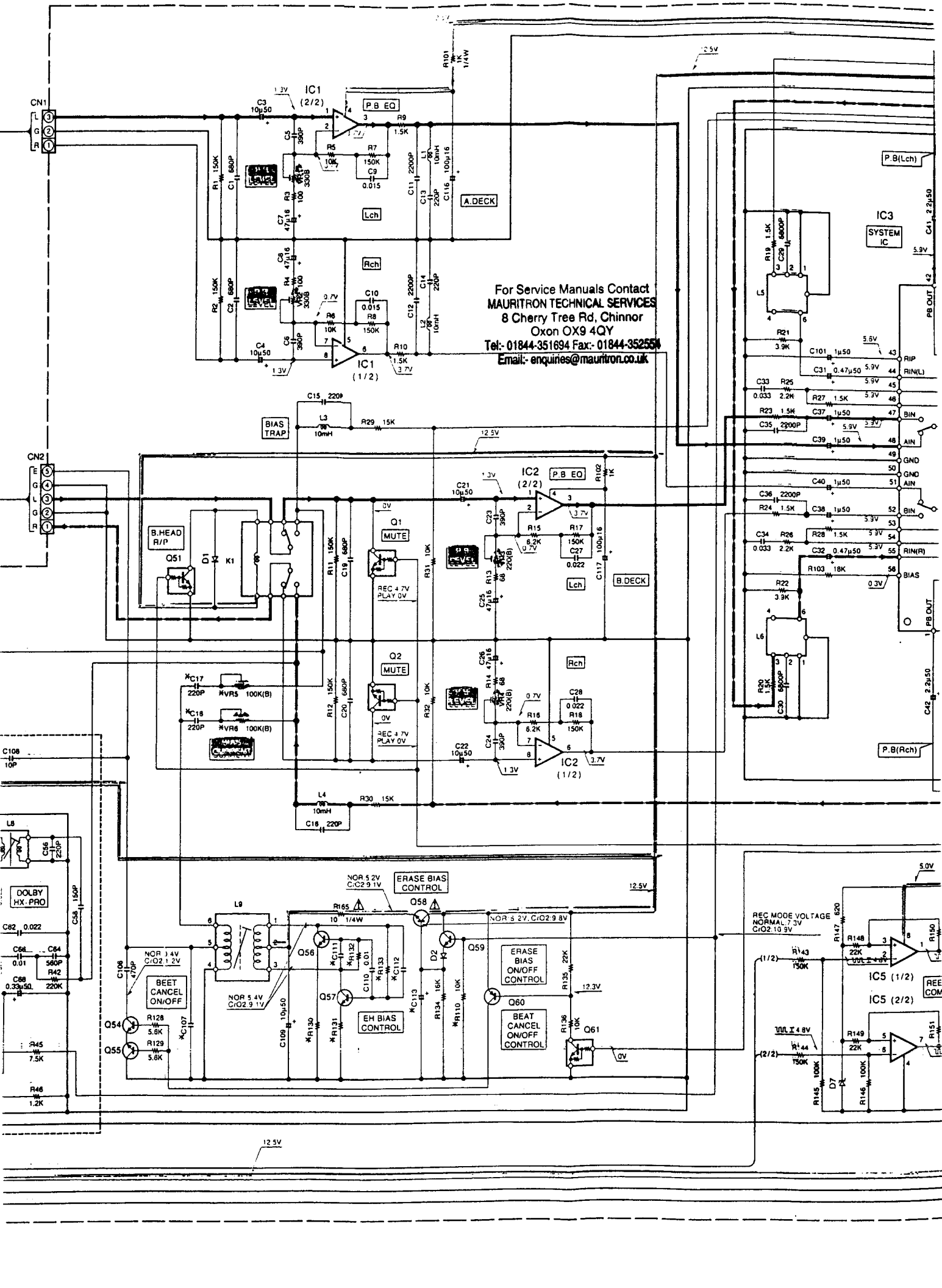
(X28-)
 IC1,2 : TA8125S
 IC3 : HA12182F
 IC4 : μPC1297CA
 IC5 : BA10393
 IC6,7 : BU4094BC
 Q1,2,51,61 : DTC124ES or UN4212
 Q52,56,57,59 : 2SC2785(F.E) or 2SC1740S(Q.R)
 Q54,55 : 2SC1845(F.E)
 Q58 : 2SC3940A(R.S)
 Q60 : 2SA992(F.E)
 Q63-65 : 2SC3246
 D1,2,4-6 : 1SS133 or HSS104
 D7 : UZ-2.7BSB or MTZJ2.7(B)



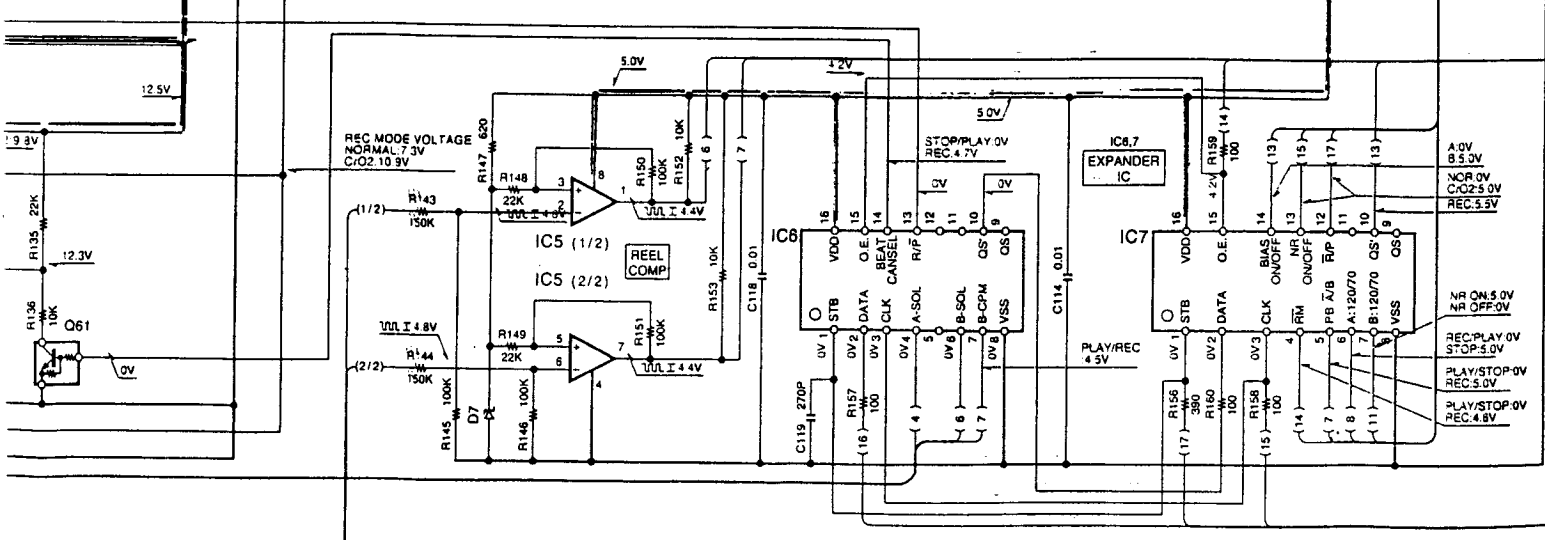
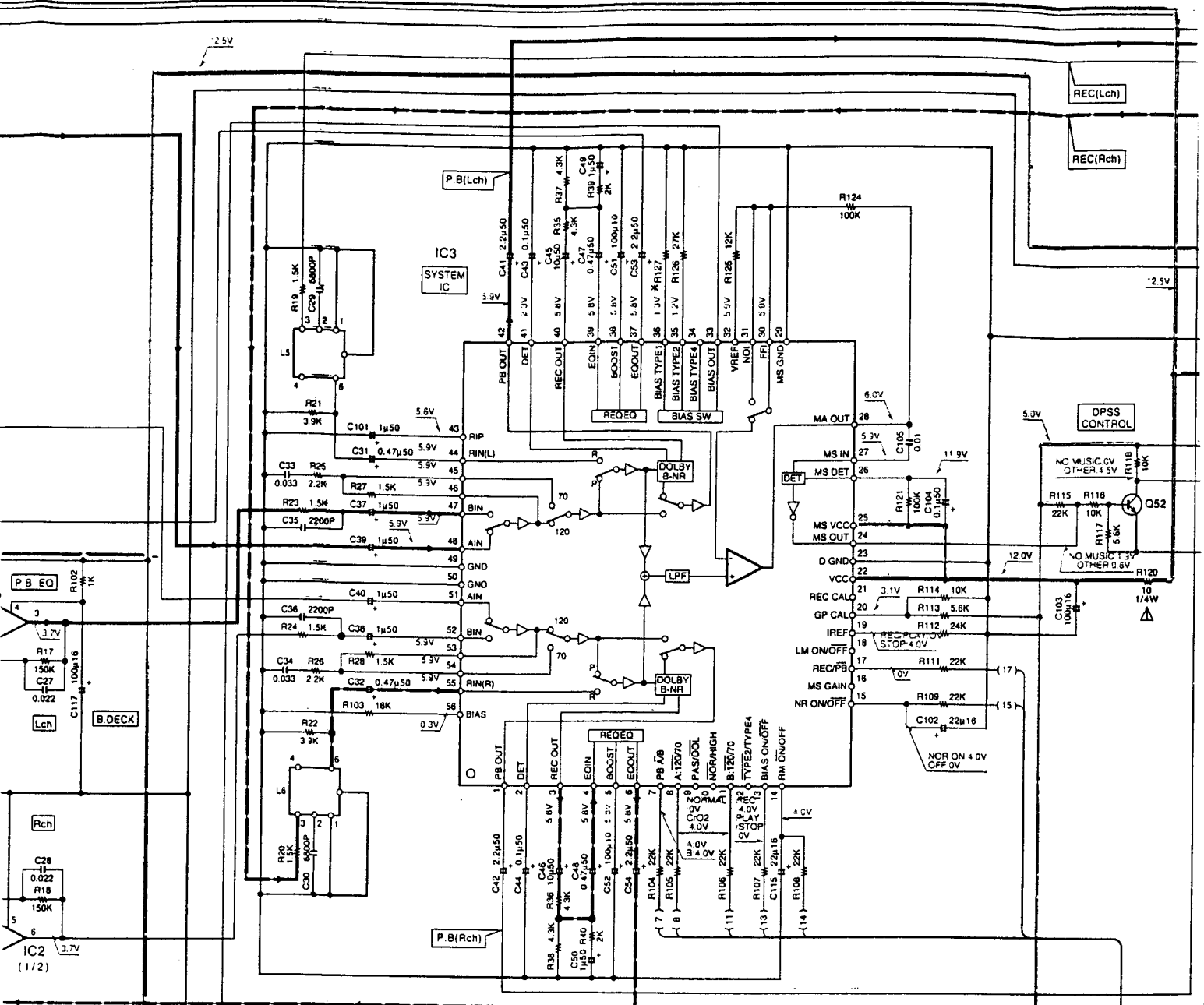
(-)RED
 (-)WHITE

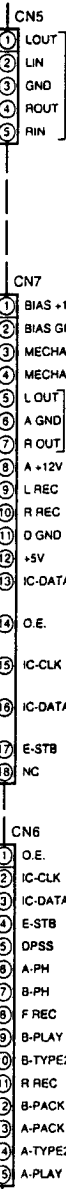
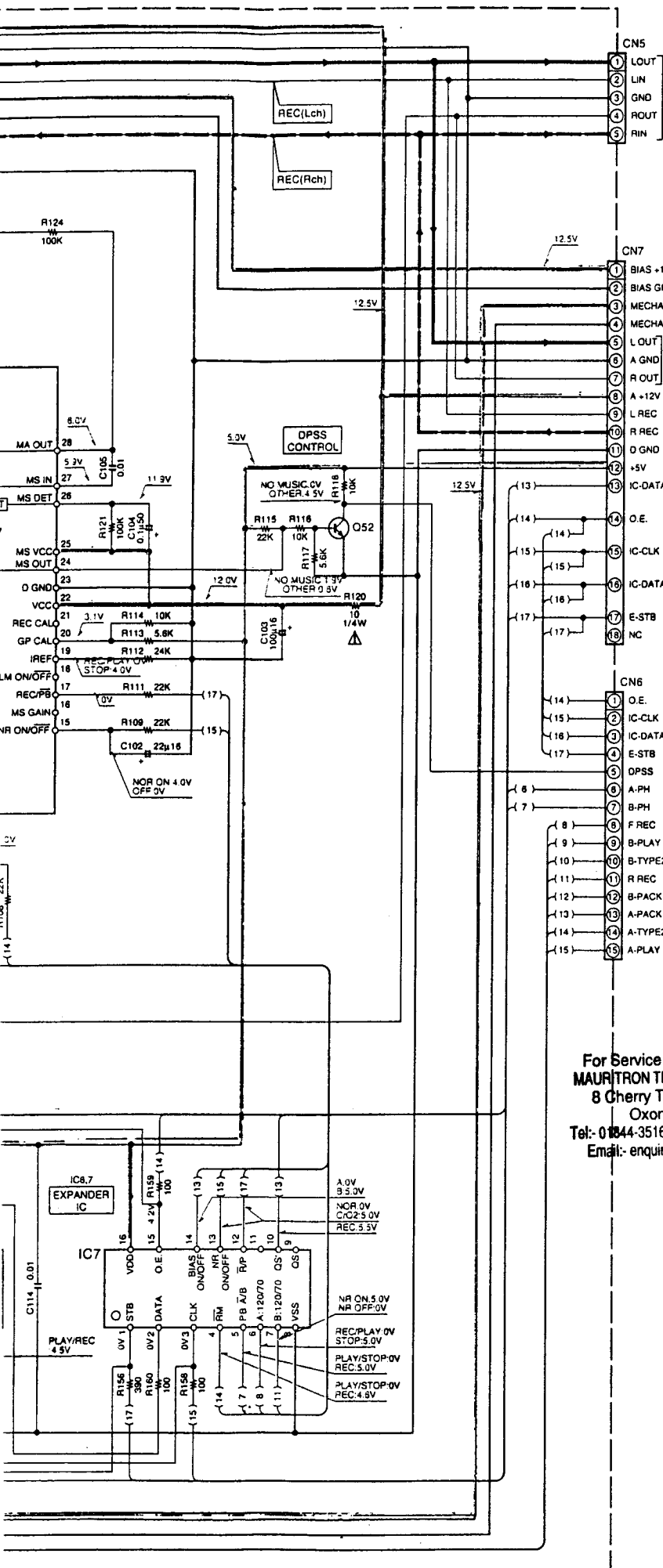
(X28-2770-0X)



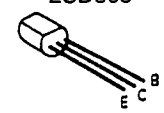


For Service Manuals Contact
MAURITRON TECHNICAL SERVICES
 8 Cherry Tree Rd, Chinnor
 Oxon OX9 4QY
 Tel: 01844-351894 Fax: 01844-352554
 Email: enquires@mauritron.co.uk

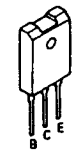




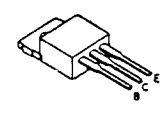
- 2SA1286
- 2SA954
- 2SA992
- 2SC1845
- 2SC2003
- 2SC2878
- 2SC3246
- 2SC3940A
- 2SD863



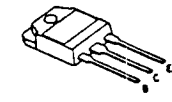
2SD1894



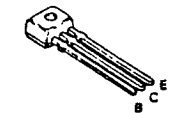
2SB1565



2SB1624
2SD2493



2SA1175
2SC2785

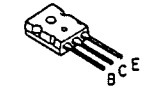


For Service Manuals Contact
MAURITRON TECHNICAL SERVICES
 8 Cherry Tree Rd, Chinnor
 Oxon OX9 4QY
 Tel:- 01844-351694 Fax:- 01844-352554
 Email:- enquiries@mauritron.co.uk

DTC124EU
 2SA1576
 2SB1218A2
 SC2714
 2SC4081
 2SD1819A



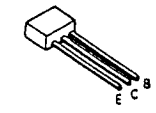
2SC4137F50



2SB1370



UN4212

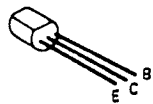


CAUTION: For continued safety, replace safety critical components only with manufacturer's recommended parts (refer to parts list). Δ indicates safety critical components. For continued protection against risk of fire, replace only with same type and rating fuse(s). To reduce the risk of electric shock, leakage-current or resistance measurements shall be carried out (exposed parts are acceptably insulated from the supply circuit) before the appliance is returned to the customer.

The DC voltage is an actual reading measured with a high impedance type voltmeter with a cassette loaded at playback mode. The measurement value may vary depending on the measuring instruments used or on the product. Bias circuit DC voltage is measured while in the record mode.

DOLBY and the double-D symbol are trademarks of Dolby Laboratories Licensing Corporation. Noise reduction circuit made under license from Dolby Laboratories Licensing Corporation.

2SA1286
2SA954
2SA992
2SC1845
2SC2003



2SC2878
2SC3246
2SC3940A
2SD863

2SB1375



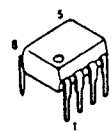
2SD1893



2SB1559
2SD2389



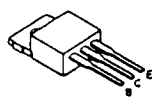
NJM2100D
NJM4565D



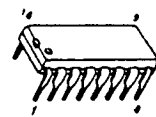
2SD1894



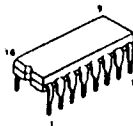
2SB1565



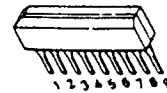
XRU4052BC



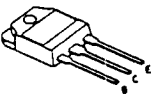
TC74HC166AP



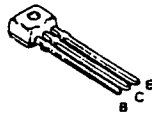
TA8125S
TA8409S



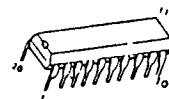
2SB1624
2SD2493



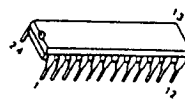
2SA1175
2SC2785



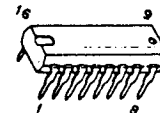
TDA7309



BA1450S



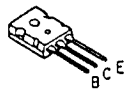
BU4094BC
SAA6579



DTC124EU
2SA1576
2SB1218A2
2SC2714
2SC4081
2SD1819A



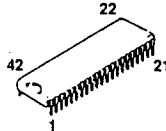
2SC4137F50



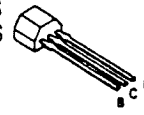
BA10393
M5223P



LA2785L
TDA7431



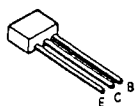
DTA124ES
DTC124ES
UN4112
2SA933S
2SC1740S



2SB1370



UN4212



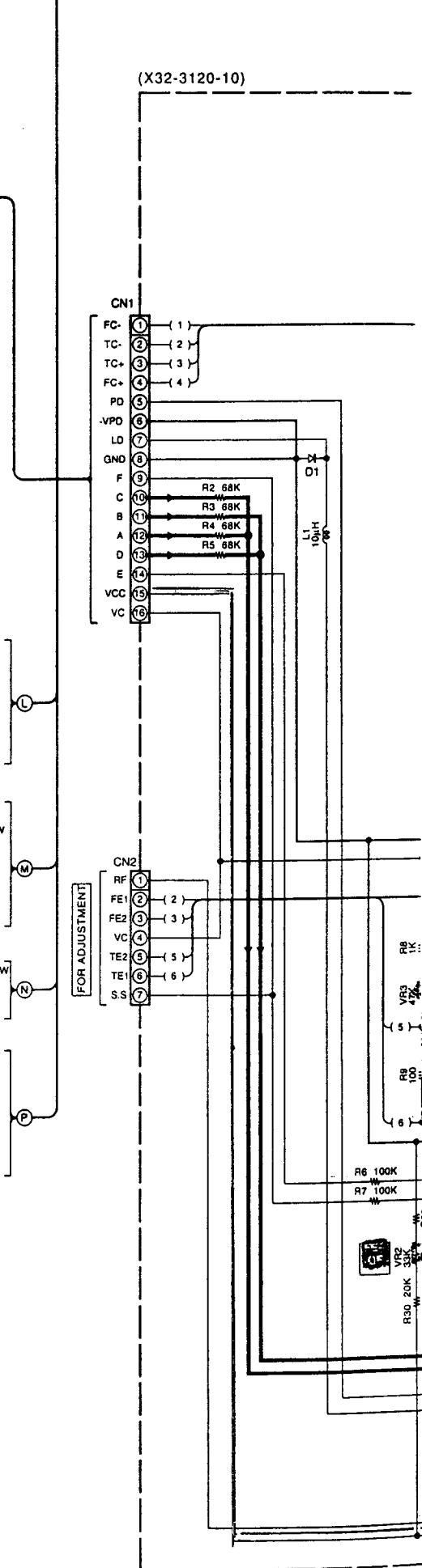
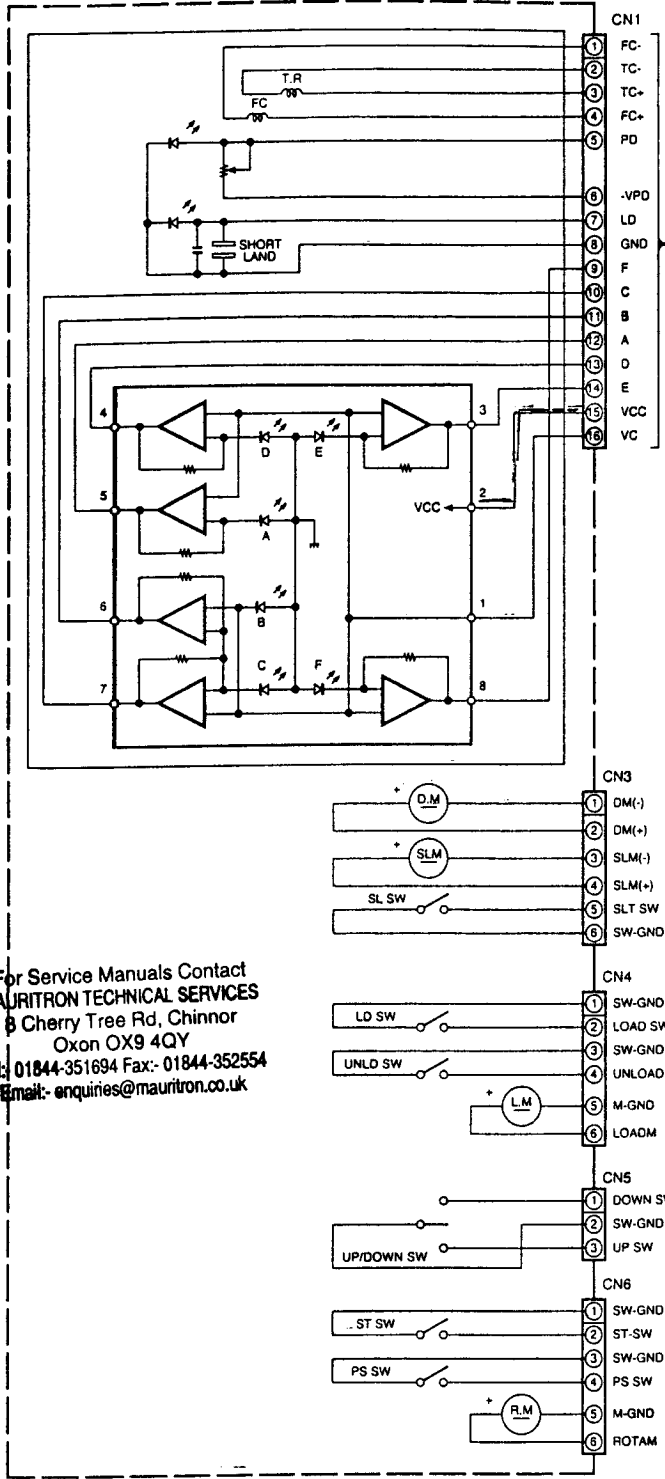
For Service Manuals Contact
MAURITRON TECHNICAL SERVICES
8 Cherry Tree Rd, Chinnor
Oxon OX9 4QY
Tel: 01844-351694 Fax: 01844-352554
Email: enquiries@mauritron.co.uk

Y39-2300-00

RXD-G3/G4/G5/G31/G51

KENWOOD

CD CHANGER MECHA.
(D40-1455-X5)

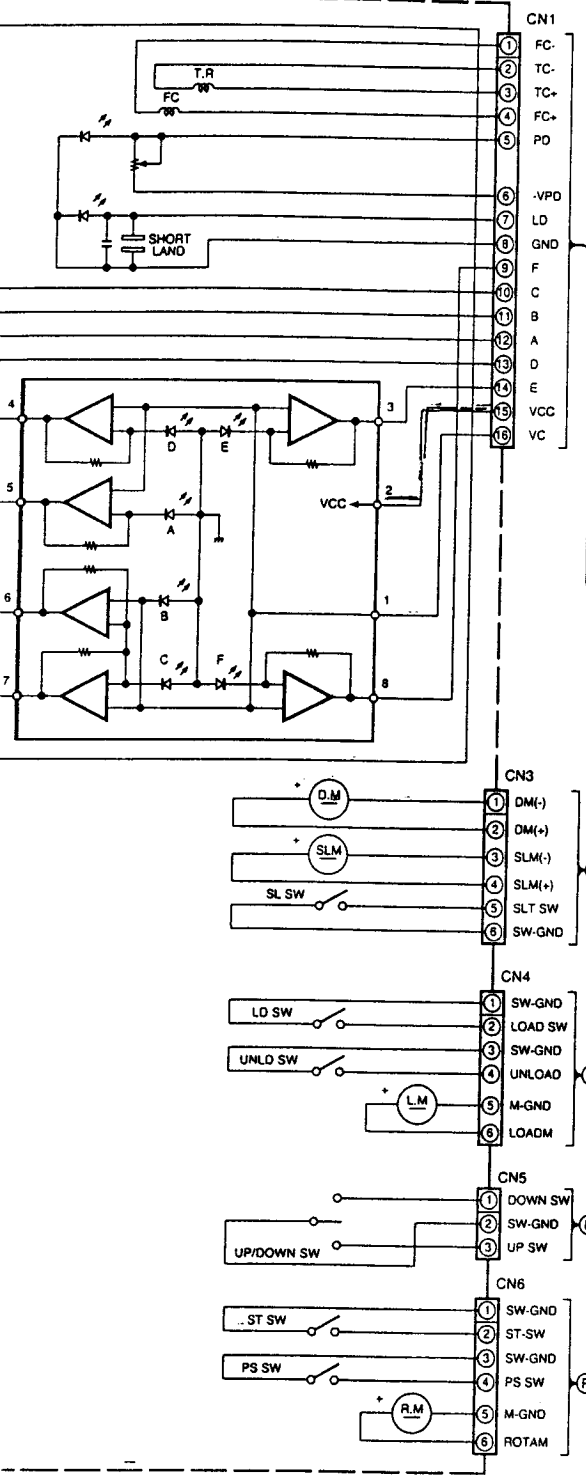


For Service Manuals Contact
MAURITRON TECHNICAL SERVICES
 8 Cherry Tree Rd, Chinnor
 Oxon OX9 4QY
 Tel: 01844-351694 Fax: 01844-352554
 Email: enquiries@mauritron.co.uk

- | | |
|-------------------|--------------------------------------|
| IC1 : CXA1782BQ*1 | D1-6 : 1SS133 or HSS104 |
| IC2 : CXD2508AQ*1 | D7 : UZ-3.3BSB or MTZ3.3(B) |
| IC3 : LA6537 | |
| IC4,5 : TA8409S | Q1,5 : 2SC2785(F,E) or 2SC1740S(Q,R) |
| IC6 : BU4094BC | Q2,4 : 2SA954(L,K) |
| IC7 : NJM2100D | Q3 : DTA124ES or UN4112 |
| IC8 : M5237L | Q6 : 2SA1286 |
| IC9 : TC74HC166AP | Q7,13 : DTC124ES or UN4212 |
| | Q8 : 2SB1565(E,F) or 2SB1375 |
| | Q9,10 : 2SA1175(F,E) or 2SA933S(Q,R) |
| | Q11,12 : 2SC2878(B) |

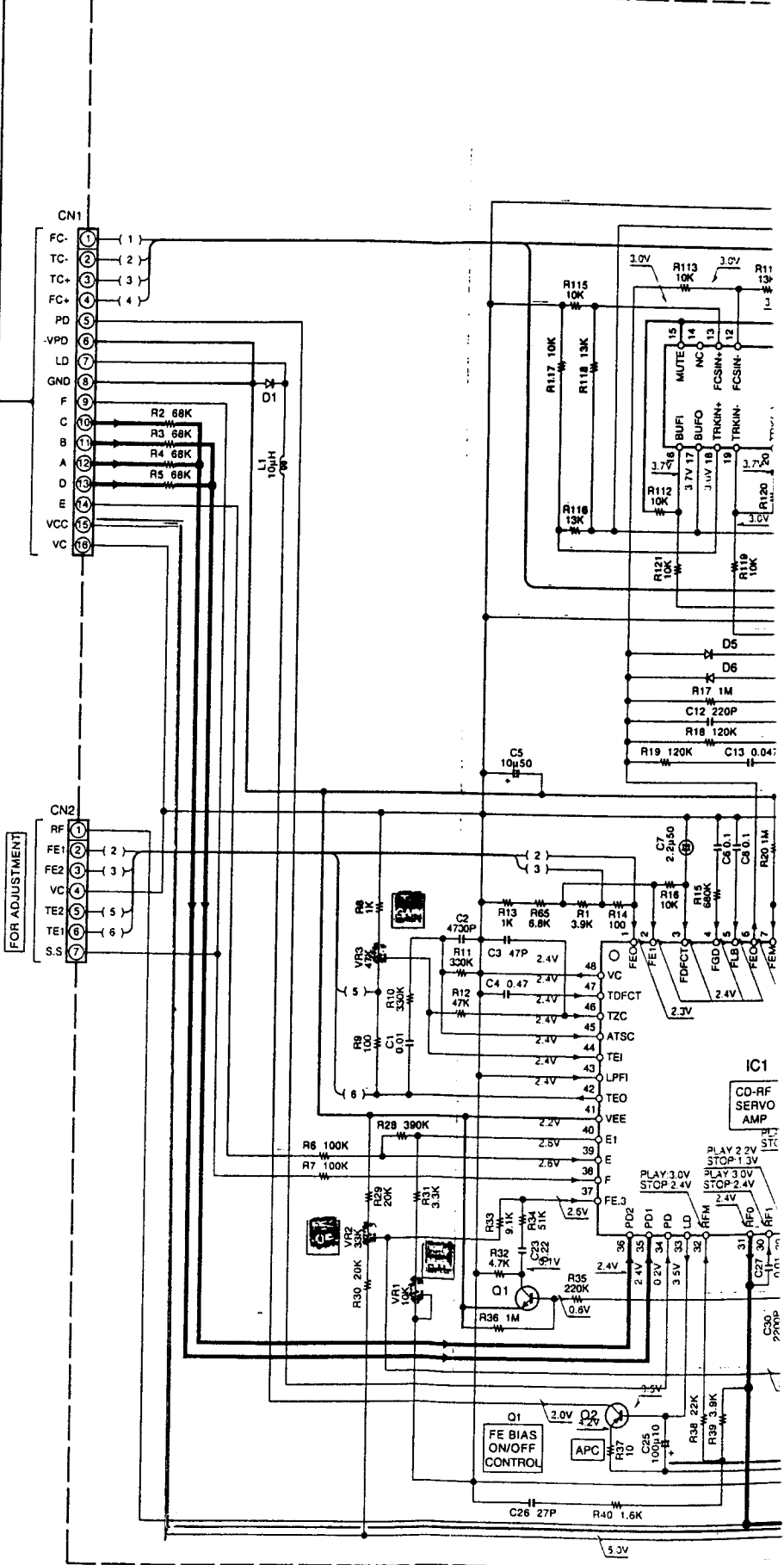
1
2
3
4
5
6
7

INGER MECHA.
(5-5)



82B0X-1	D1-6	: 1S5133 or HSS104
08A0X-1	D7	: UZ-3.38SB or MTZ3.3(B)
YS	Q1,5	: 2SC2785(F,E) or 2SC1740S(Q,R)
18C	Q2,4	: 2SA954(L,K)
30D	Q3	: DTA124ES or UN4112
C166AP	Q6	: 2SA1286
	Q7,13	: DTC124ES or UN4212
	Q8	: 2SB1565(E,F) or 2SB1375
	Q9,10	: 2SA1175(F,E) or 2SA933S(Q,R)
	Q11,12	: 2SC2878(B)

(X32-3120-10)



IC1
CD-RF
SERVO
AMP

Q1
FE BIAS
ON/OFF
CONTROL

PLAY 2.2V
STOP 1.3V
PLAY 3.0V
STOP 2.4V
PLAY 2.4V
STOP 2.4V

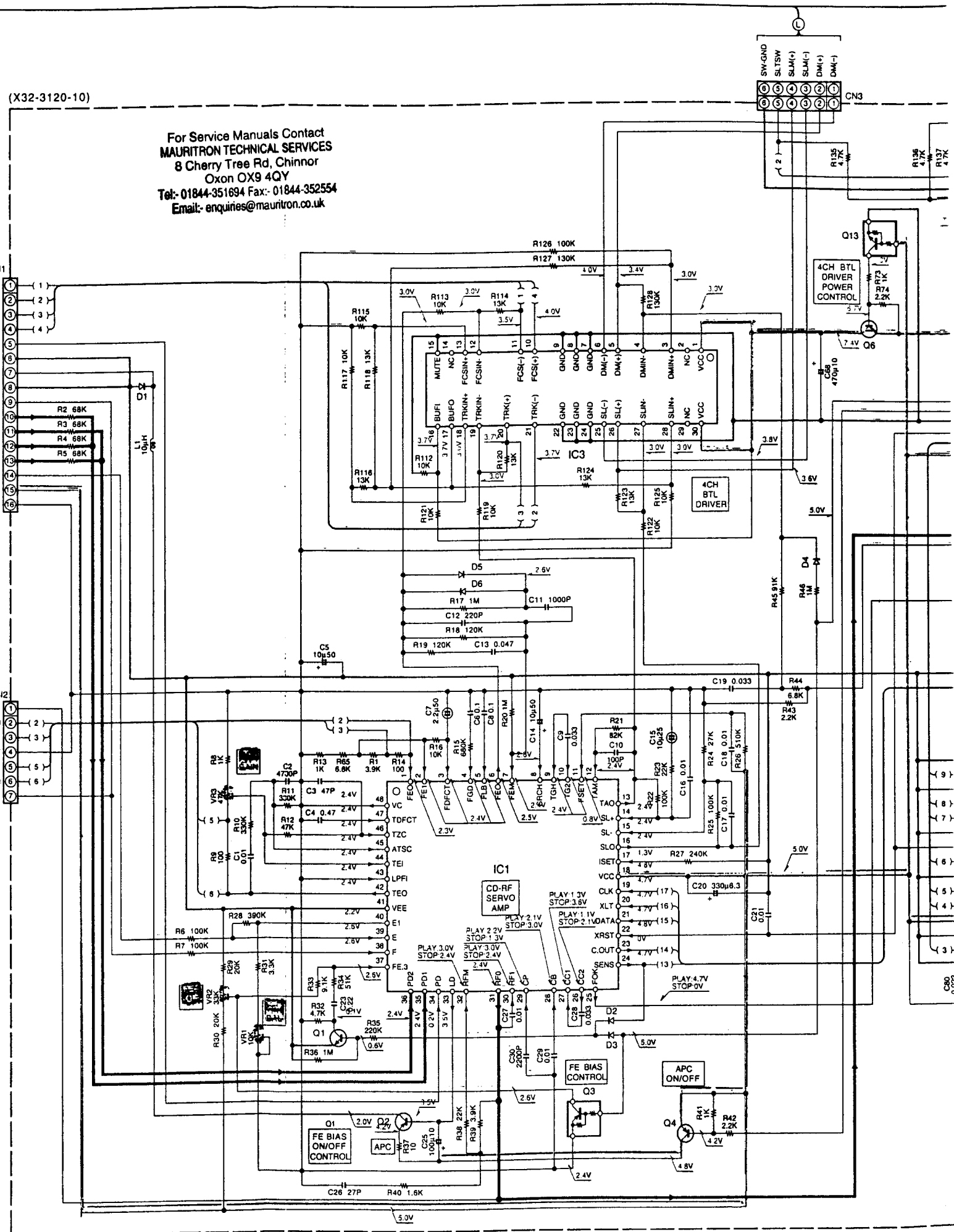
C26 27P

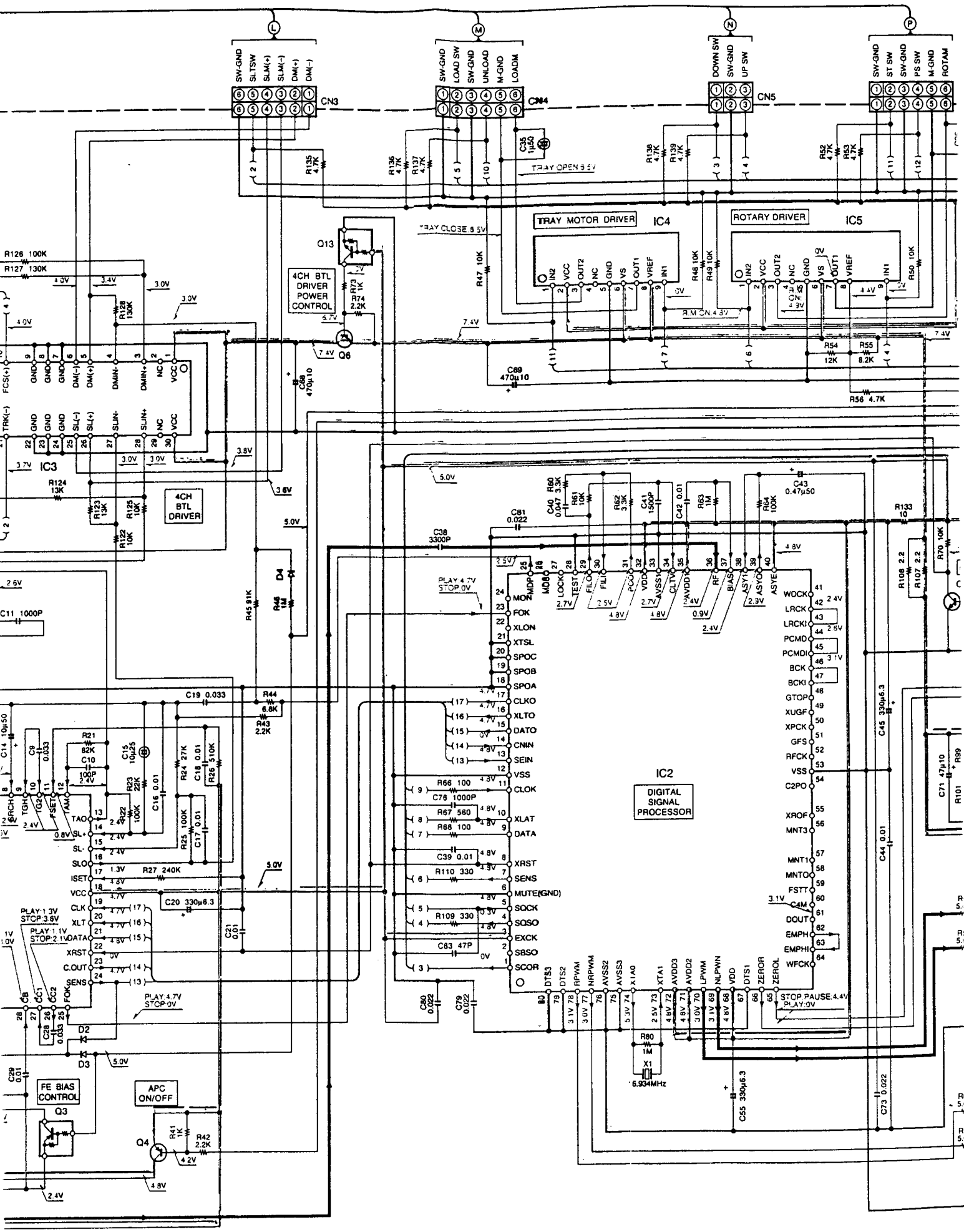
R40 1.6K

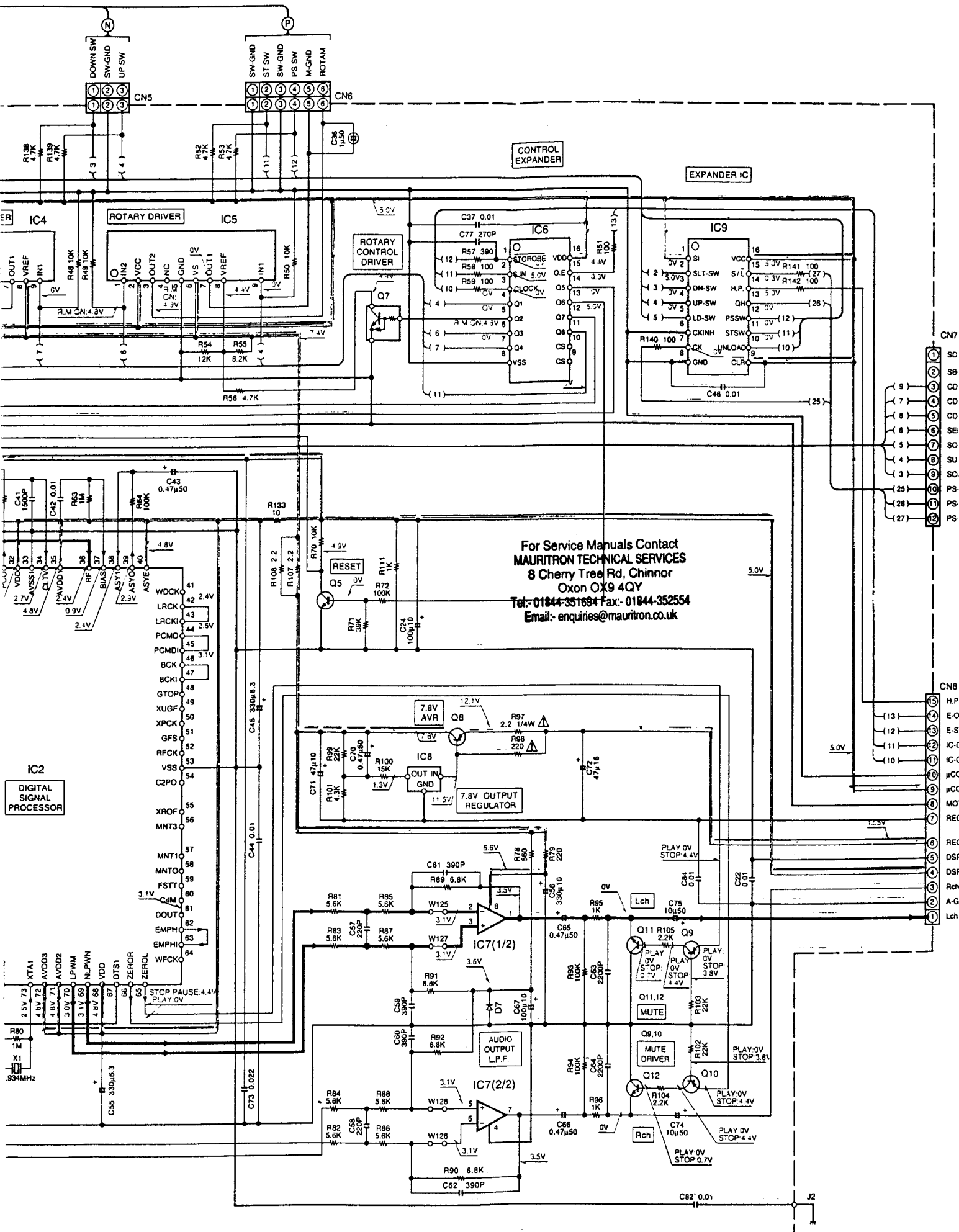
3.3V

For Service Manuals Contact
MAURITRON TECHNICAL SERVICES
 8 Cherry Tree Rd, Chinnor
 Oxon OX9 4QY
 Tel: 01844-351694 Fax: 01844-352554
 Email: enquiries@mauritron.co.uk

(X32-3120-10)



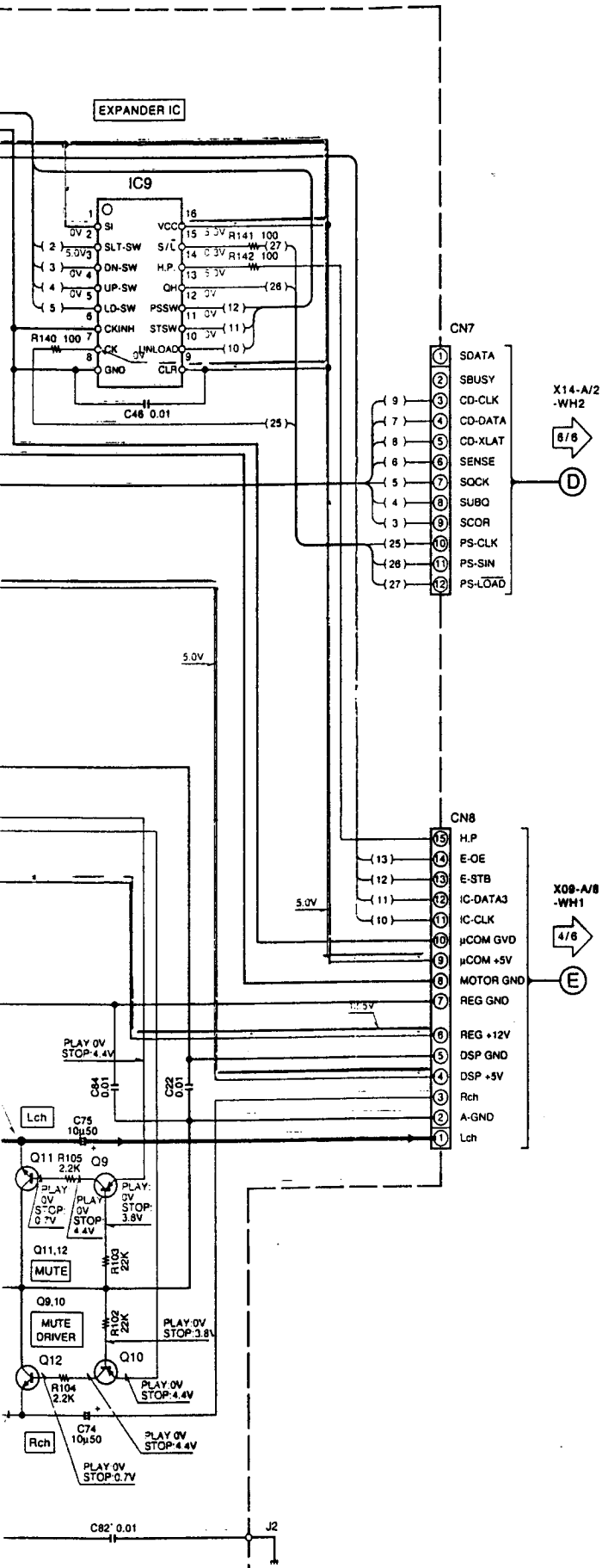




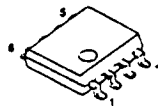
For Service Manuals Contact
MAURITRON TECHNICAL SERVICES
 8 Cherry Tree Rd, Chinnor
 Oxon OX9 4QY
 Tel: 01844-351694 Fax: 01844-352554
 Email: enquiries@mauritron.co.uk

CAUTION: For continued safety, replace safety critical components only with manufacturer's recommended parts (refer to parts list). Δ indicates safety critical components. For continued protection against risk of fire, replace only with same type and rating fuse(s). To reduce the risk of electric shock, leakage-current (resistance measurements shall be carried out (exposed parts are acceptably insulated from the supply circuit) before the appliance is returned to the customer.

The DC voltage is an actual reading measured with a high impedance type voltmeter. The measurement value may vary depending on the measuring instruments used or on the product. Refer to the voltage during PLAY unless otherwise specified; The value shown in () is the voltage measured at the moment of STOP.



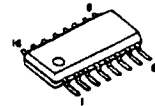
NJM4565MD



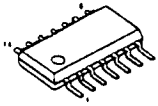
UN5212



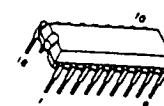
BU4094BCF



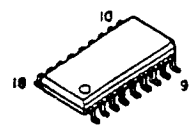
BU4066BCF



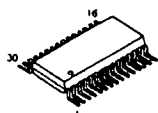
UPC1297CA



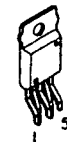
BA3835F



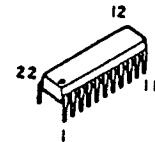
NJU7313AM



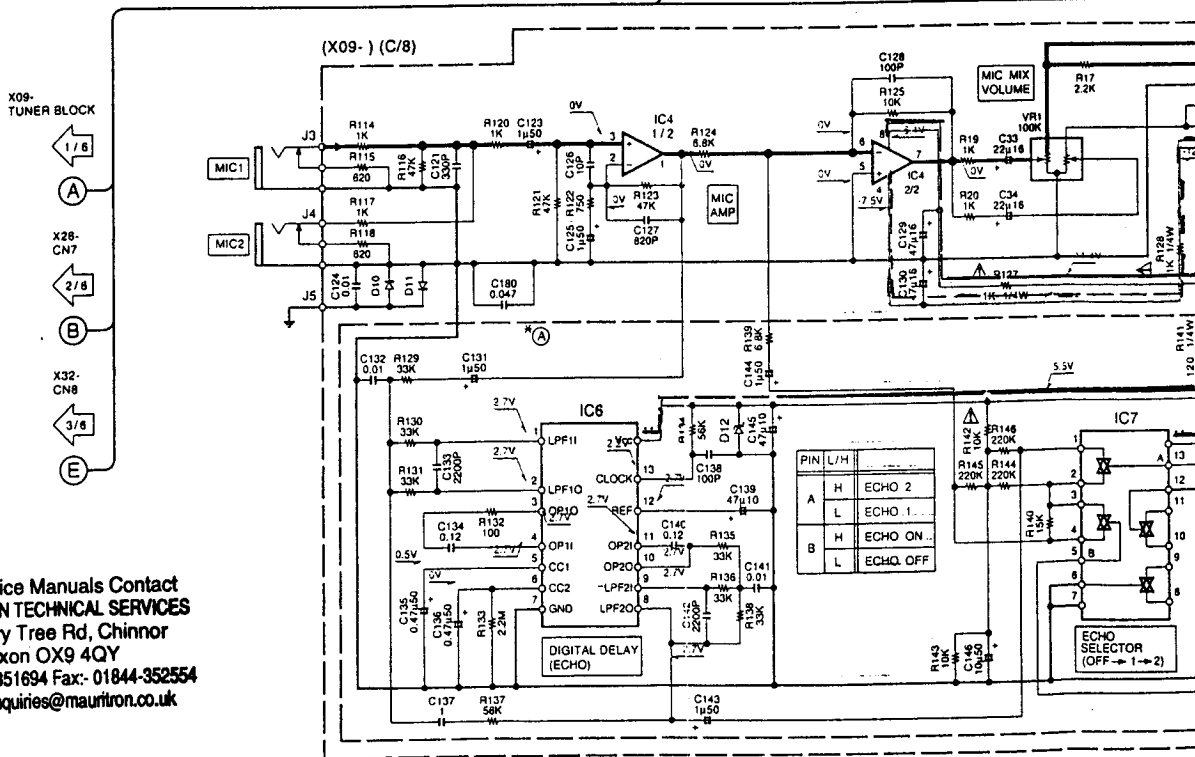
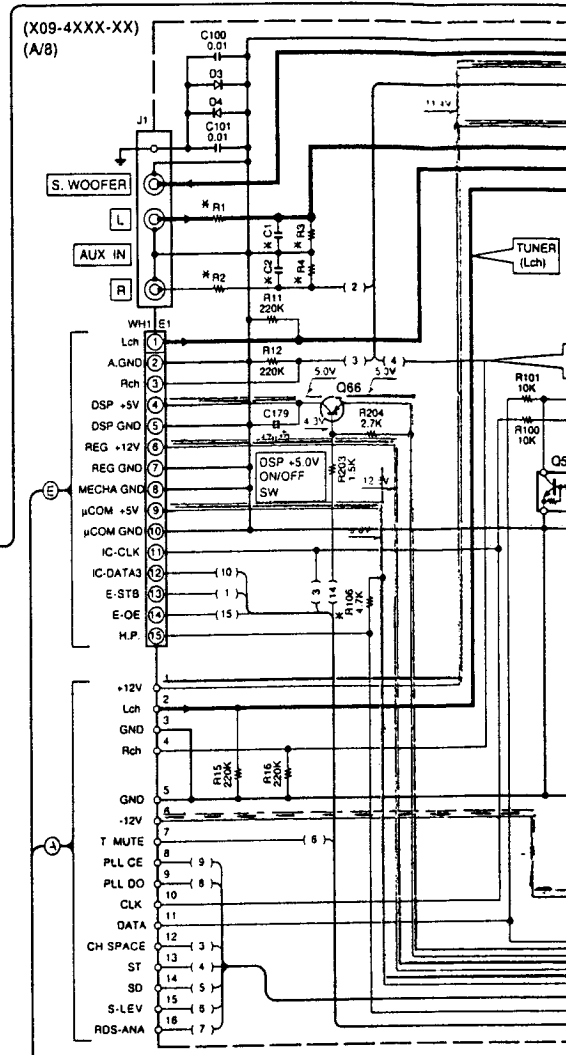
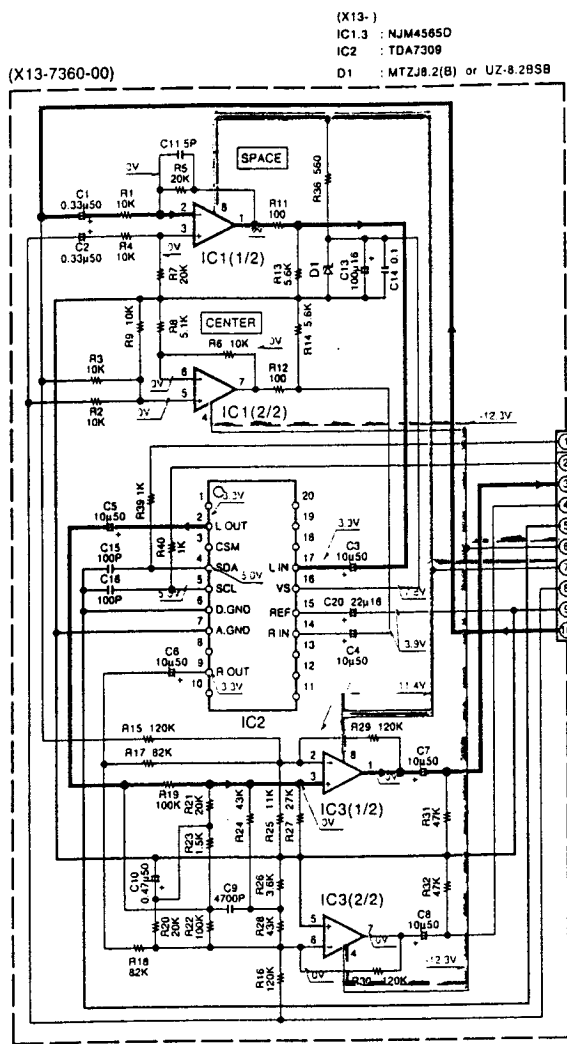
TDA2050V



LC72131



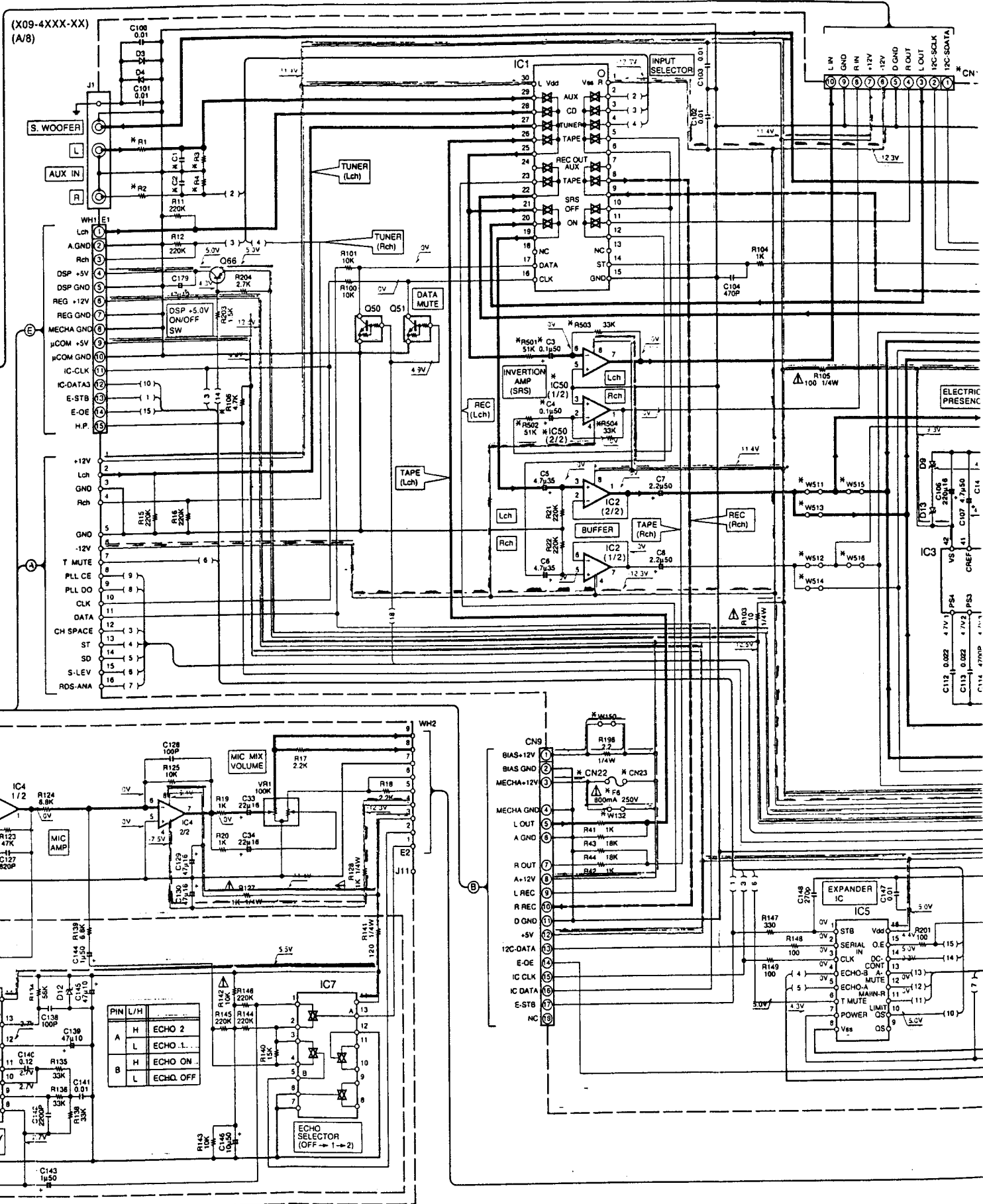
For Service Manuals Contact
MAURITRON TECHNICAL SERVICES
 8 Cherry Tree Rd, Chinnor
 Oxon OX9 4QY
 Tel: 01844-351694 Fax: 01844-352554
 Email: enquiries@mauritron.co.uk



For Service Manuals Contact
MAURITRON TECHNICAL SERVICES
 8 Cherry Tree Rd, Chinnor
 Oxon OX9 4QY
 Tel: 01844-351694 Fax: 01844-352554
 Email: enquiries@mauritron.co.uk

CAUTION: For continued safety, replace safety critical components only with manufacturer's recommended parts (refer to parts list). Δ indicates safety critical components. For continued protection against risk of fire, replace only with same type and rating fuse(s). To reduce the risk of electric shock, leakage-current or resistance measurements shall be carried out (exposed parts are acceptably insulated from the supply circuit) before the appliance is returned to the customer.

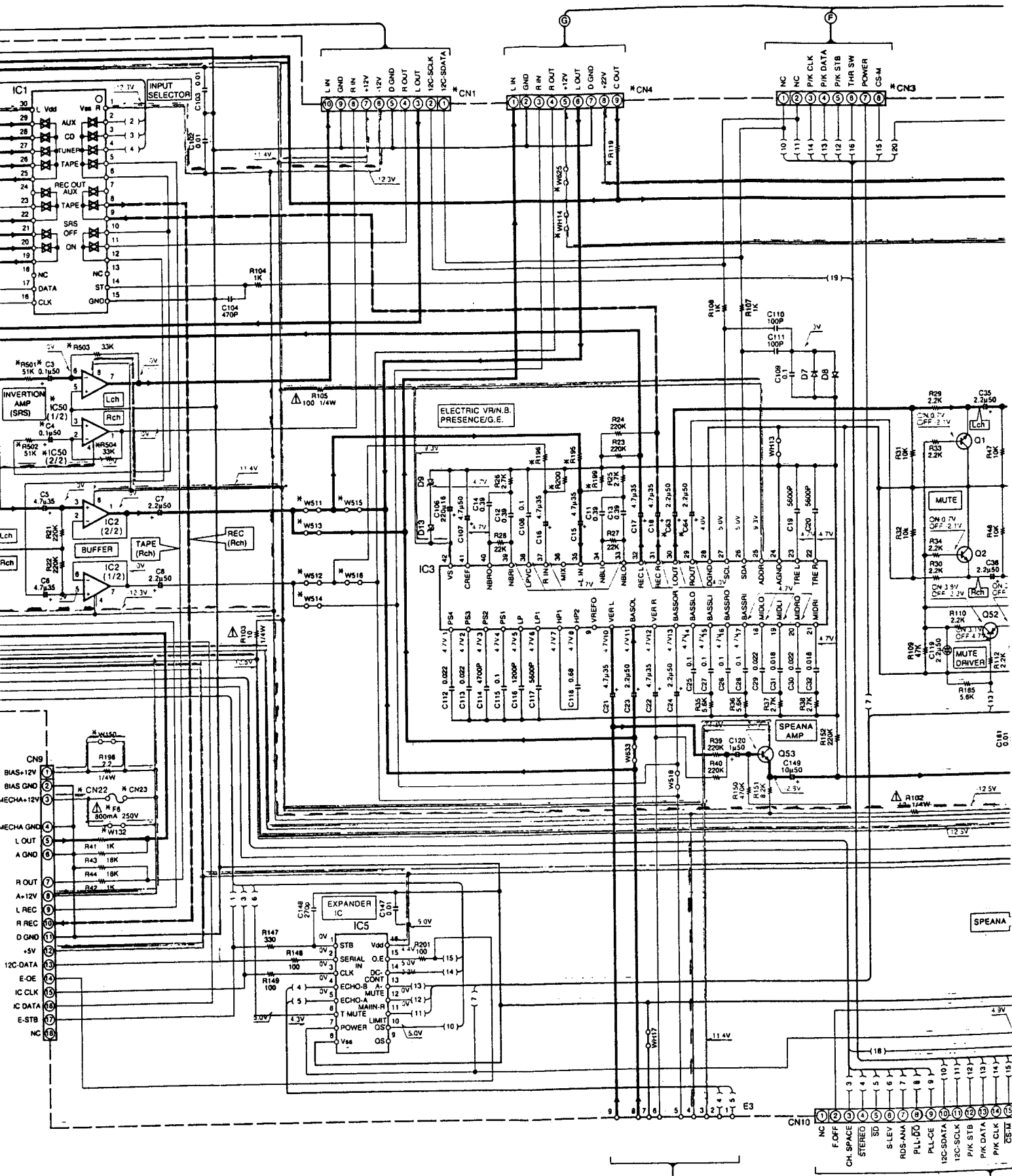
The DC voltage is an actual reading measured by voltmeter as the AM/FM signal generator is specified the list below. The measurement value may vary by instruments used or on the product. The value should be measured in the AM mode.



with
critical
same
ent or
stably
ner.

The DC voltage is an actual reading measured with a high impedance type voltmeter as the AM/FM signal generator is specified to the conditions as shown in the list below. The measurement value may vary depending on the measuring instruments used or on the product. The value shown in () is actual reading measured in the AM mode.

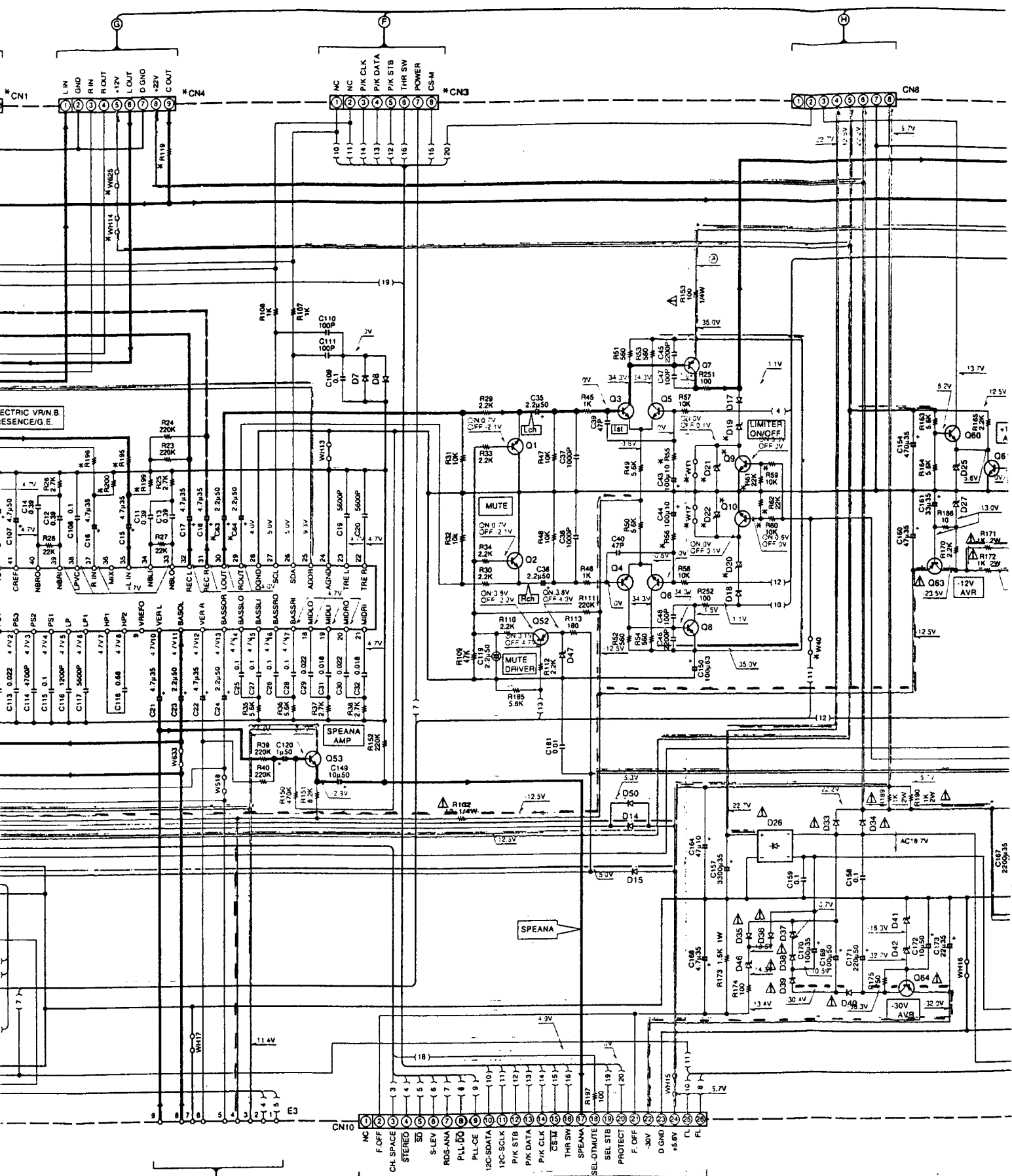
MODE	CARRIER	MODULATION	
		FREQUENCY	DEVIATION
FM	98MHz	1kHz	STEREO 67.5kHz 7.5
AM	1000(999)kHz	400Hz	MONO 30% MOD



ance type
s shown in
measuring
al reading

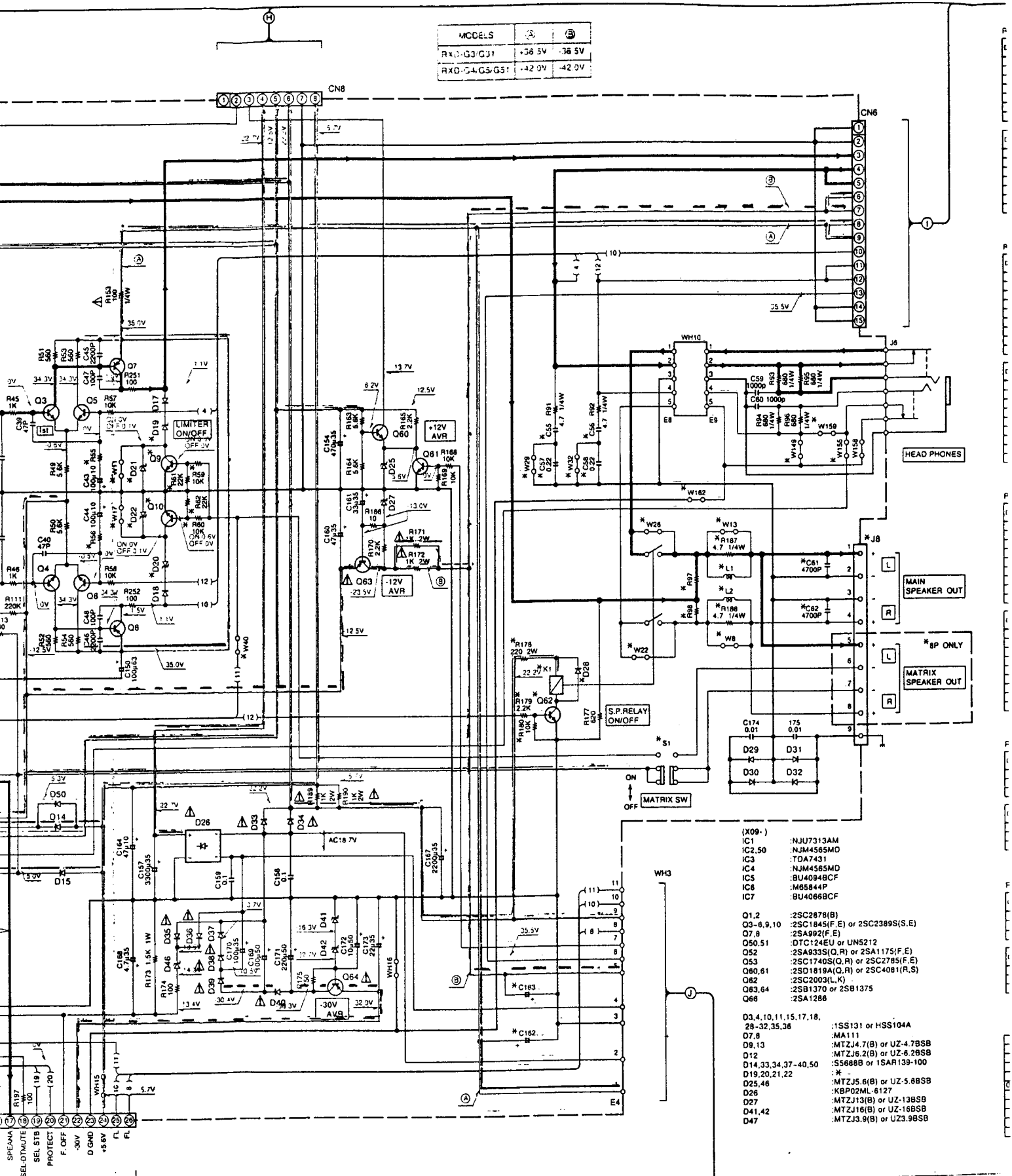
MODE	CARRIER	MODULATION		ANT INPUT
		FREQUENCY	DEVIATION	
FM	98MHz	1kHz	STEREO 67.5kHz 7.5kHz(Pilot)	60dB
AM	1000(999)kHz	400Hz	MONO 30% MOD	60dB

For Service Manuals Contact
MAURITRON TECHNICAL SERVICES
 8 Cherry Tree Rd, Chinnor
 Oxon OX9 4QY
 Tel:- 01844-351694 Fax:- 01844-352554
 Email:- enquiries@mauritron.co.uk



ANT INPUT	
z 7.5kHz(Pilot)	60dB
	60dB

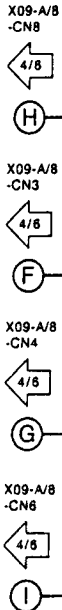
MODELS	(3)	(5)
RX0-G3-GJ1	+36 5V	-36 5V
RX0-G4-G5-G51	+42 0V	-42 0V



- (X09-)
- IC1 : NJU7313AM
 - IC2,50 : NJM4565MD
 - IC3 : TDA7431
 - IC4 : NJM4565MD
 - IC5 : BU4094BCF
 - IC6 : M65844P
 - IC7 : BU4066BCF
- Q1,2 : 2SC2878(B)
- Q3-6,9,10 : 2SC1845(F,E) or 2SC2389S(S,E)
- Q7,8 : 2SA992(F,E)
- Q50,51 : DTC124EU or UN5212
- Q52 : 2SA933S(Q,R) or 2SA1175(F,E)
- Q53 : 2SC1740S(Q,R) or 2SC2785(F,E)
- Q60,61 : 2SD1819A(Q,R) or 2SC4081(R,S)
- Q62 : 2SC2003(L,K)
- Q63,64 : 2SB1370 or 2SB1375
- Q68 : 2SA1286
- D3,4,10,11,15,17,18, 29-32,35,36 : 1SS131 or HSS104A
- D7,8 : MA111
- D9,13 : MTZJ4.7(B) or UZ-4.785B
- D12 : MTZJ6.2(B) or UZ-6.285B
- D14,33,34,37-40,50 : S5688B or 1SAR139-100
- D19,20,21,22 : *
- D25,46 : MTZJ5.6(B) or UZ-5.685B
- D26 : KBP02ML-6127
- D27 : MTZJ13(B) or UZ-1385B
- D41,42 : MTZJ16(B) or UZ-1685B
- D47 : MTZJ3.9(B) or UZ.985B

For Service Manuals Contact
MAURITRON TECHNICAL SERVICES
 8 Cherry Tree Rd, Chinnor
 Oxon OX9 4QY
 Tel:- 01844-351694 Fax:- 01844-352554
 Email:- enquiries@mauritron.co.uk

1
2
3
4
5
6
7



RXD-G3 (X09-431X-XX)

DESTINATION	UNIT No.	Q13,14	Q15,16	Q59	F1,2	F3
K	0-11			2SD1894	5A 125V	4A 125V
P						
Y	0-21	2SD2493	2SB1624			
M						
X	0-71			2SD1893	T4A L 250V	T2.5A L 250V
E	2-71					
T	0-51					

RXD-G4 (X09-432X-XX)

DESTINATION	UNIT No.	Q13,14	Q15,16	Q59	F1,2	F3
K	0-11	2SD2389	2SB1559	2SD1894	5A 125V	4A 125V
P						
Y	0-21					
M						
C	3-01	2SD2493	2SB1624	2SD1893	T4A L 250V	T2.5A L 250V
X	0-71					
E	2-71					
T	0-51					

RXD-G5 (X09-445X-XX)

DESTINATION	UNIT No.	Q13,14	Q15,16	Q59	F1,2	F3
K	0-10	2SD2389	2SB1559	2SD1894	5A 125V	4A 125V
P						
Y	0-21					
M						
C	3-01	2SD2493	2SB1624	2SD1893	T4A L 250V	T2.5A L 250V
X	0-71					
E	2-71					
T	0-51					

RXD-G31 (X09-431X-XX)

DESTINATION	UNIT No.	Q13,14	Q15,16	Q59	F1,2	F3
M	0-22	2SD2493	2SB1624	2SD1893	T4A L 250V	T2.5A L 250V
I						
C	3-01					

RXD-G51 (X09-445X-XX)

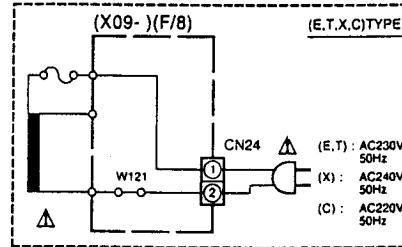
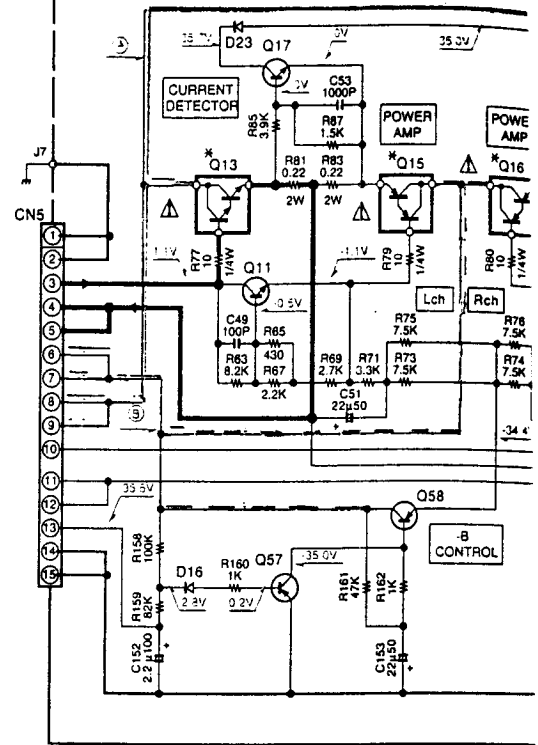
DESTINATION	UNIT No.	Q13,14	Q15,16	Q59	F1,2	F3
M	0-22	2SD2493	2SB1624	2SD1893	T4A L 250V	T2.5A L 250V
I						
C	3-02					

DESTINATION	ABB.
COUNTRY	
U.S.A.	K
CANADA	P
PX	Y
GENERAL MARKET	M
MALAYSIA	I
CHINA	C
AUSTRALIA	X
EUROPE	E
U.K.	T



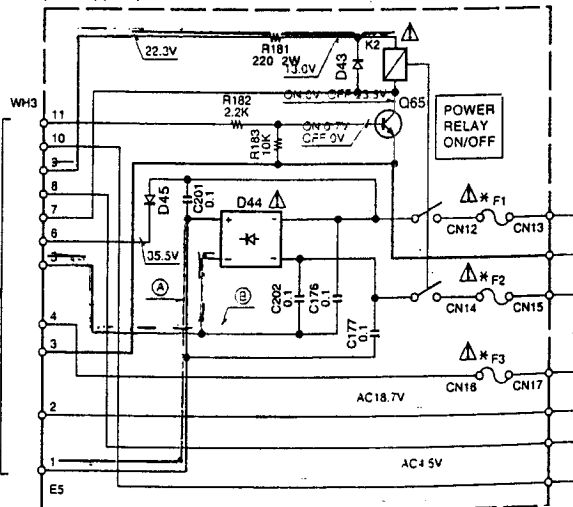
MODELS	(A)	(B)
RXD-G3/G31	+36.5V	-36.5V
RXD-G4/G5/G51	+42.0V	-42.0V

(X09-4XXX-XX)(B/8)



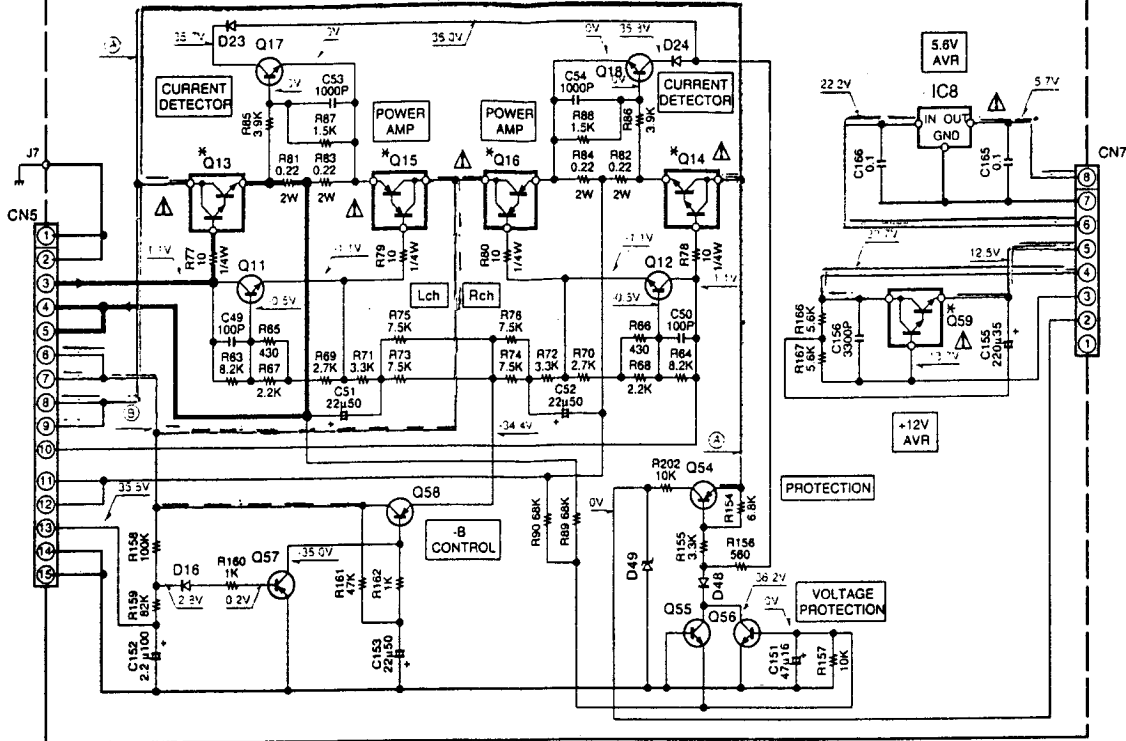
- (X09-)
IC8 :TA78057S
- Q11,12 :2SC4137F50(V,W)
- Q13,14 :*
- Q15,18 :*
- Q17,18,55,56,65 :2SC2003(L,K)
- Q54,57 :2SA933S(Q,R) or 2SA1175(F,E)
- Q58 :2SA945(L,K)
- Q59 :*
- D16,23,24,43,48 :1SS131 or HSS104A
- D44 :D3BA20F03 or RBV-402LFA
- D45 :S5688B or ISR139-100
- D49 :MTZJ5.1(B) or UZ-5.1B9B

(X09-)(E/8)



For Service Manuals Contact
MAURITRON TECHNICAL SERVICES
8 Cherry Tree Rd, Chinnor
Oxon OX9 4QY
Tel: 01844-351694 Fax: 01844-352554
Email: enquiries@mauritron.co.uk

(X09-4XXX-XX)(B/B)



Sch TEST P

Cch TEST P

- S DA
- PRO CL
- PRO DA
- PRO S
- THR S
- POW REL
- CS MU

Q59	F1.2	F3
2SD1894	5A L 125V	4A L 125V
2SD1893	T4A L 250V	T2.5A L 250V

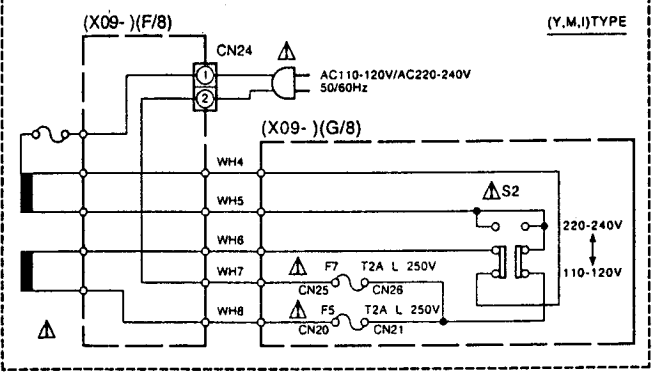
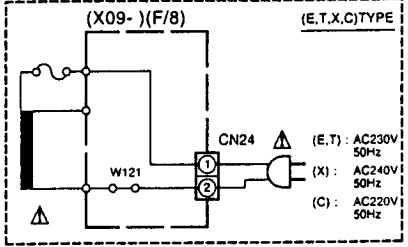
Q59	F1.2	F3
2SD1894	6A L 125V	4A L 125V
2SD1893	T4A L 250V	T2.5A L 250V

Q59	F1.2	F3
2SD1894	6A L 125V	4A L 125V
2SD1893	T4A L 250V	T2.5A L 250V

Q59	F1.2	F3
2SD1893	T4A L 250V	T2.5A L 250V

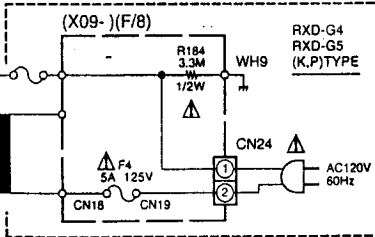
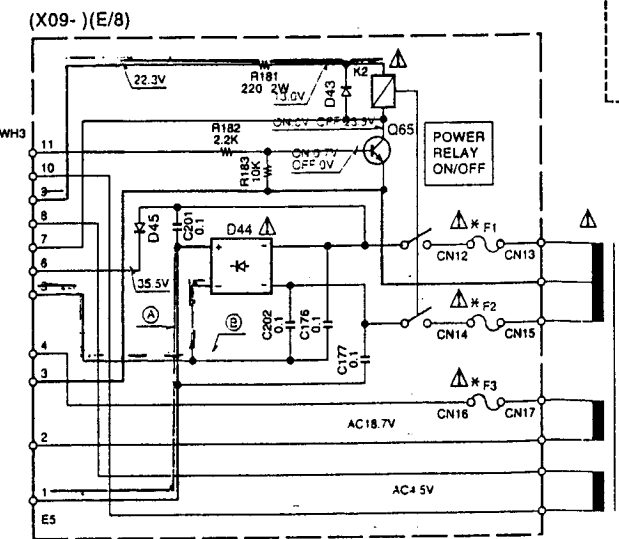
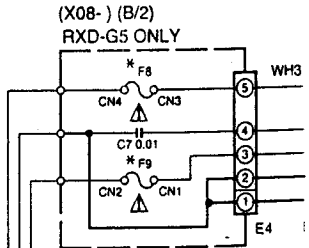
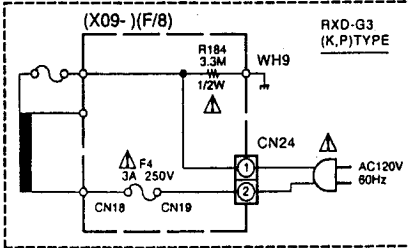
Q59	F1.2	F3
2SD1893	T4A L 250V	T2.5A L 250V

A	B
+36.5V	-36.5V
+42.0V	-42.0V



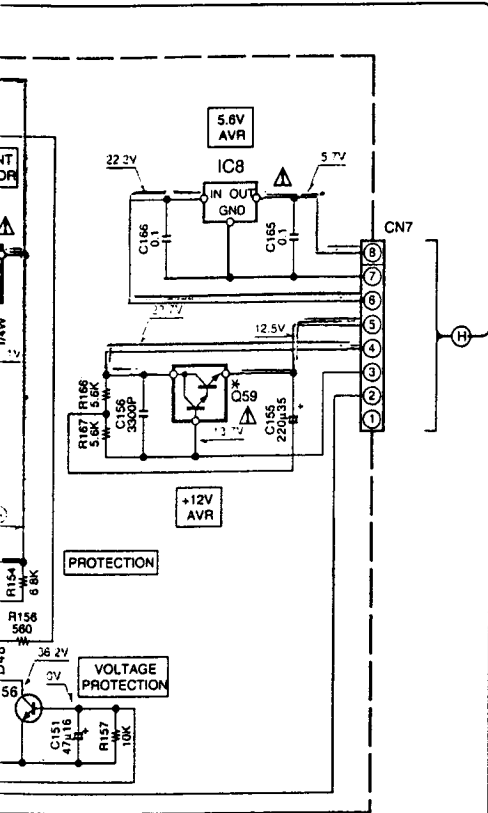
- (X09-)
IC8 :TA78057S
- Q11,12 :2SC4137F50(V,W)
- Q13,14 : *
- Q15,16 : *
- Q17,18,55,56,85 :2SC2003(L,K)
- Q54,57 :2SA933S(Q,R) or 2SA1175(F,E)
- Q58 :2SA945(L,K)
- Q59 : *
- D16,23,24,43,48 :1SS131 or HSS104A
- D44 :D3BA20F03 or RBV-402LFA
- D45 :S5688B or ISR139-100
- D49 :MTZJ5.1(B) or UZ-5.1BSB

- LI
- A GN
- RI
- ROL
- +12V
- LOL
- D GN
- +22V
- C OU

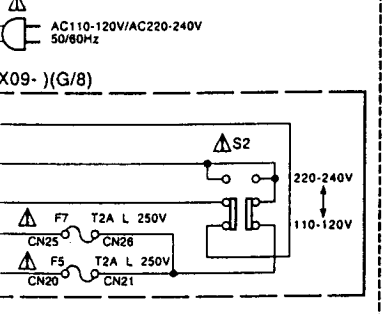


(X08-270X-XX) (A/2) RXD-G5 ONLY

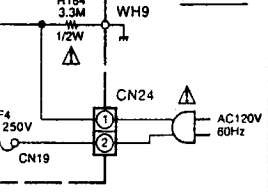
Rch TEST POINT Lch TEST POINT



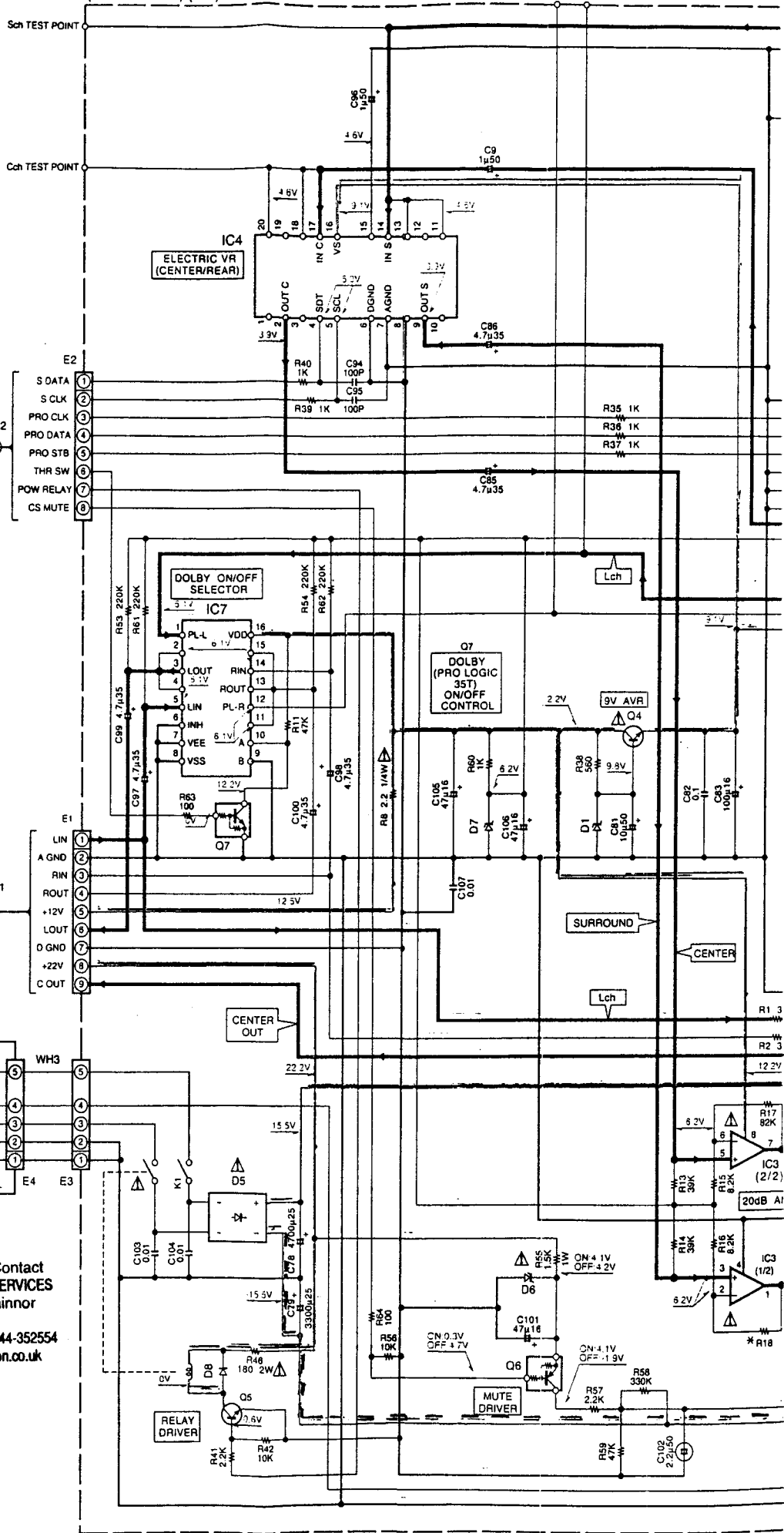
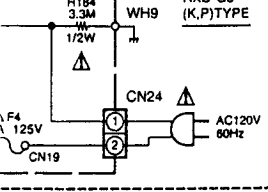
(Y,M,I)TYPE



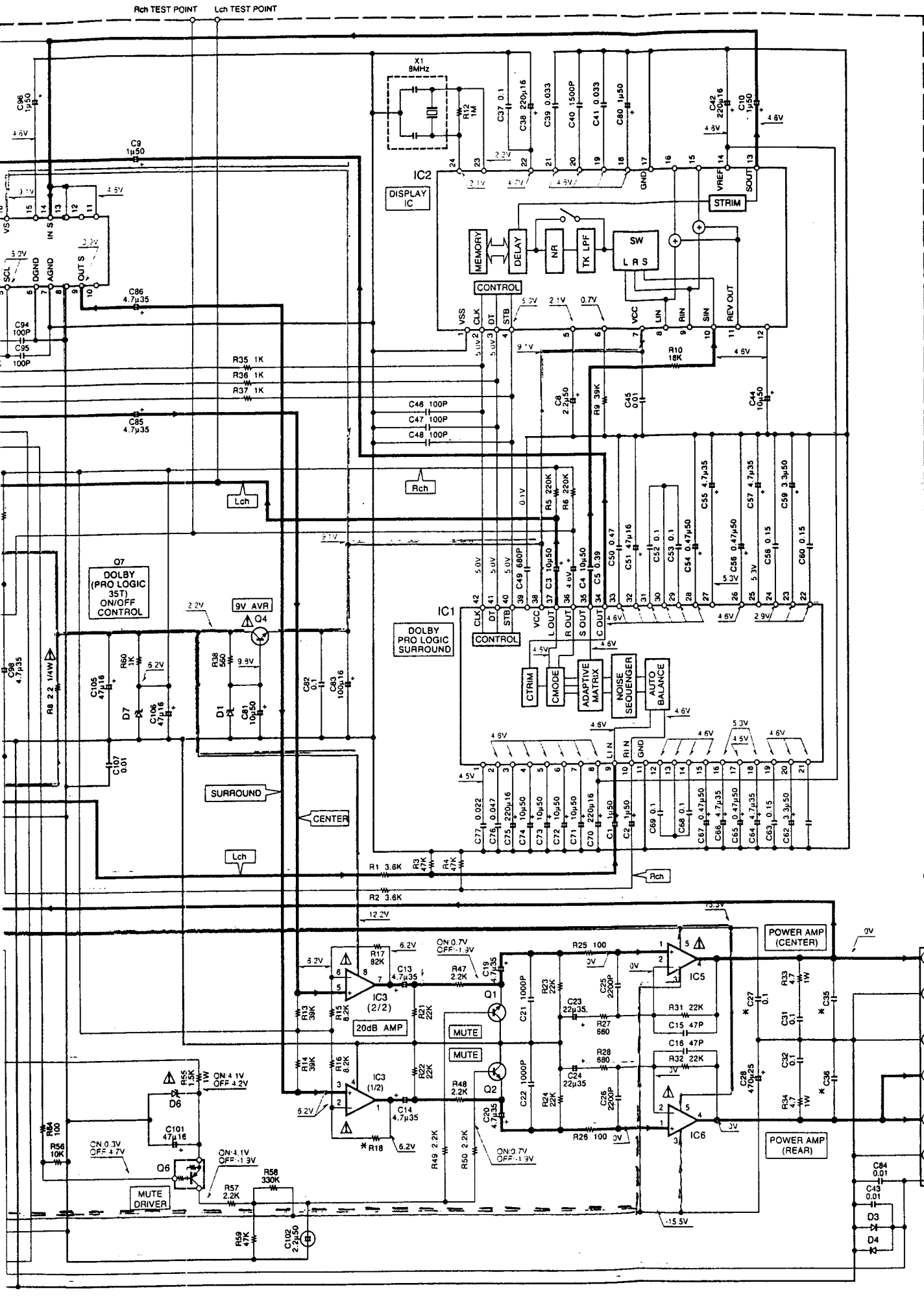
(F/B) RXD-G3 (K,P)TYPE



(F/B) RXD-G4 (K,P)TYPE



For Service Manuals Contact
MAURITRON TECHNICAL SERVICES
 8 Cherry Tree Rd, Chinnor
 Oxon OX9 4QY
 Tel: 01844-351694 Fax: 01844-352554
 Email: enquiries@mauritron.co.uk



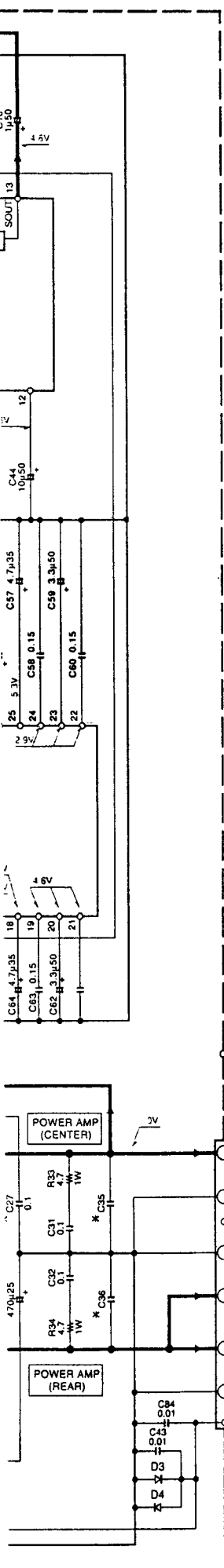
- (X08-2702-70)
- IC1 : LA2T
- IC2 : LV1C
- IC3 : NUM
- IC4 : TDA
- ICS.6 : TDA
- IC7 : XRU

- Q1.2 : 2SC
- Q4 : 2SC
- Q5 : 2SC
- Q6 : DTA
- Q7 : DTC

- D1 : MTZ
- Q3.4.8 : 1SS1
- Q5 : 83SE
- Q6 : MTZ
- Q7 : MTZ

RXD-G5(X08-)

DESTINATION
COUNTRY
USA
CANADA
PX
GENERAL MARK
MALAYSIA
CHINA
AUSTRALIA
U.K.
EUROPE



- (X08-2702-70) (A/2)
- IC1 : LA2785L
- IC2 : LV1011L
- IC3 : NJM4565L-D
- IC4 : TDA7309
- IC5,6 : TDA2050V
- IC7 : XRU4052BC

- Q1,2 : 2SC2878(B)
- Q4 : 2SC3940A(R,S) or 2SD863(E,F)
- Q5 : 2SC2003(L,K)
- Q6 : DTA113ZS or UN4119
- Q7 : DTC124ES or UN4212

- D1 : MTZJ10(B) or UZ-108SB
- D3,4,8 : 1SS131 or HSS104A
- D5 : B3SBA20F03 or RBV-402LFA
- D6 : MTZJ3.9(B) or UZ-3.98SB
- D7 : MTZ6.2(B) or UZ-6.2BSB

RXD-G5(X08-)

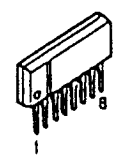
DESTINATION	COUNTRY	ABB	UNIT No.	C27	C35, 36	R18	F8,9
U.S.A.	K		X08-2700-11	NO	4700P	75K	4A 125V
CANADA	P						
PX	Y						
GENERAL MARKET	M						
MALAYSIA	I						
CHINA	C		X08-2702-70	YES	8200P	68K	T4A L 250V
AUSTRALIA	X						
U.K.	F						
EUROPE	E						

CAUTION: For continued safety, replace safety critical components only with manufacturer's recommended parts (refer to parts list). Δ indicates safety critical components. For continued protection against risk of fire, replace only with same type and rating fuse(s). To reduce the risk of electric shock, leakage-current or resistance measurements shall be carried out (exposed parts are acceptably insulated from the supply circuit) before the appliance is returned to the customer.

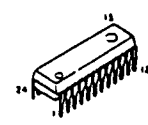
The DC voltage is an actual reading measured with a high impedance type voltmeter with a cassette loaded at playback mode. The measurement value may vary depending on the measuring instruments used or on the product. Bias circuit DC voltage is measured while in the record mode.

DOLBY and the double-D symbol are trademarks of Dolby Laboratories Licensing Corporation. Noise reduction circuit made under license from Dolby Laboratories Licensing Corporation.

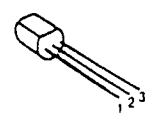
NJM4565L-D



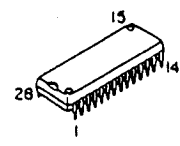
LV1011L



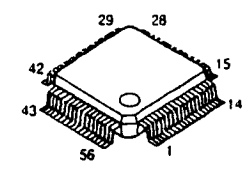
M5237L



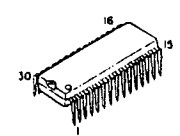
NJU3718L



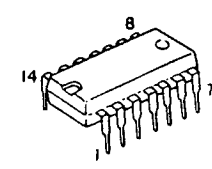
HA12182F



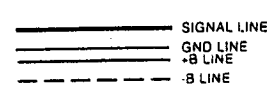
LA6537



M65844P



For Service Manuals Contact
MAURITRON TECHNICAL SERVICES
 8 Cherry Tree Rd, Chinnor
 Oxon OX9 4QY
 Tel:- 01844-351694 Fax:- 01844-352554
 Email:- enquiries@mauritron.co.uk



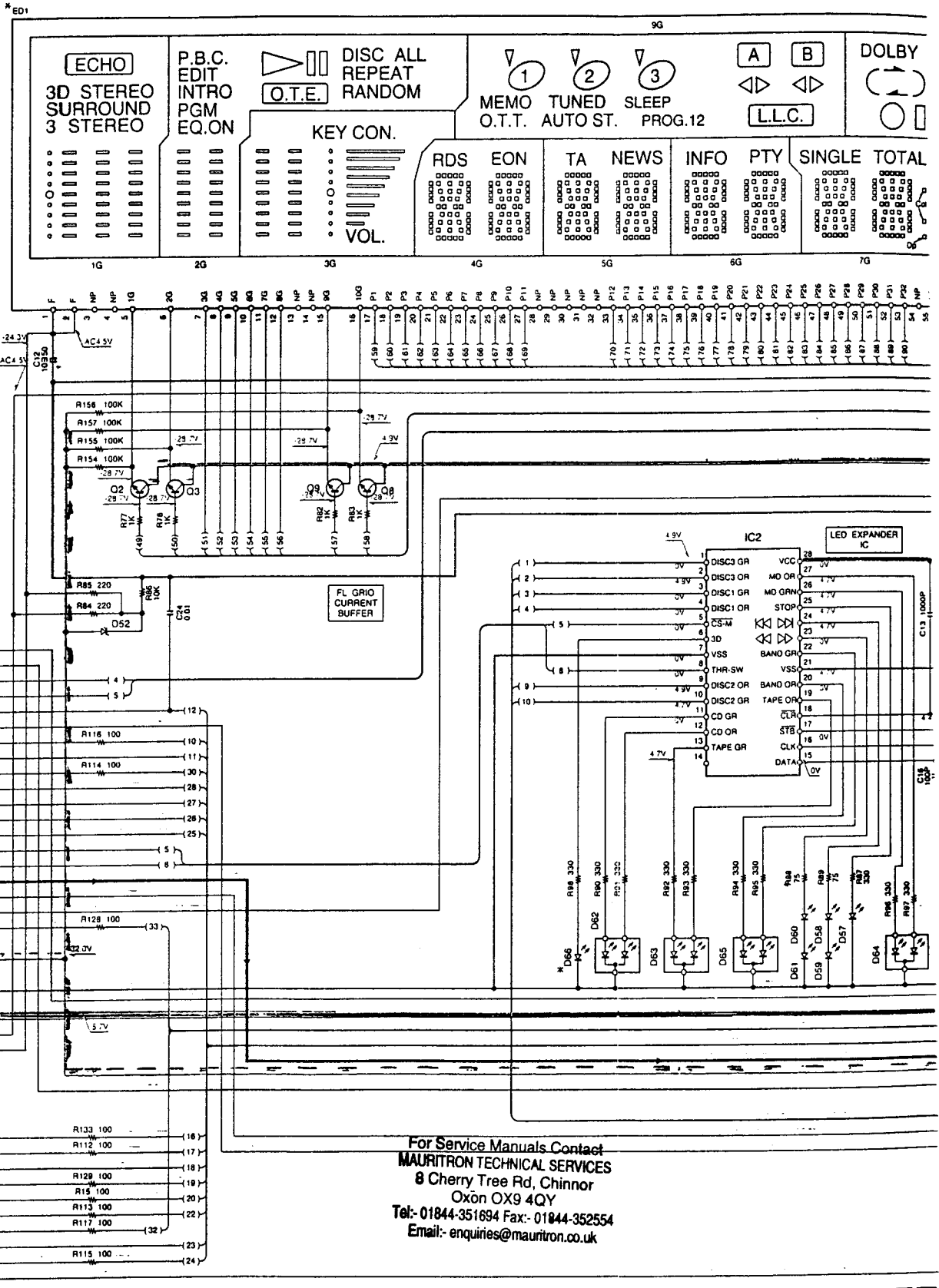
RXD-G3/G4/G5/G31/G51

Y39-2300-00

RXD-G3/G4/G5/G31/G51

KENWOOD

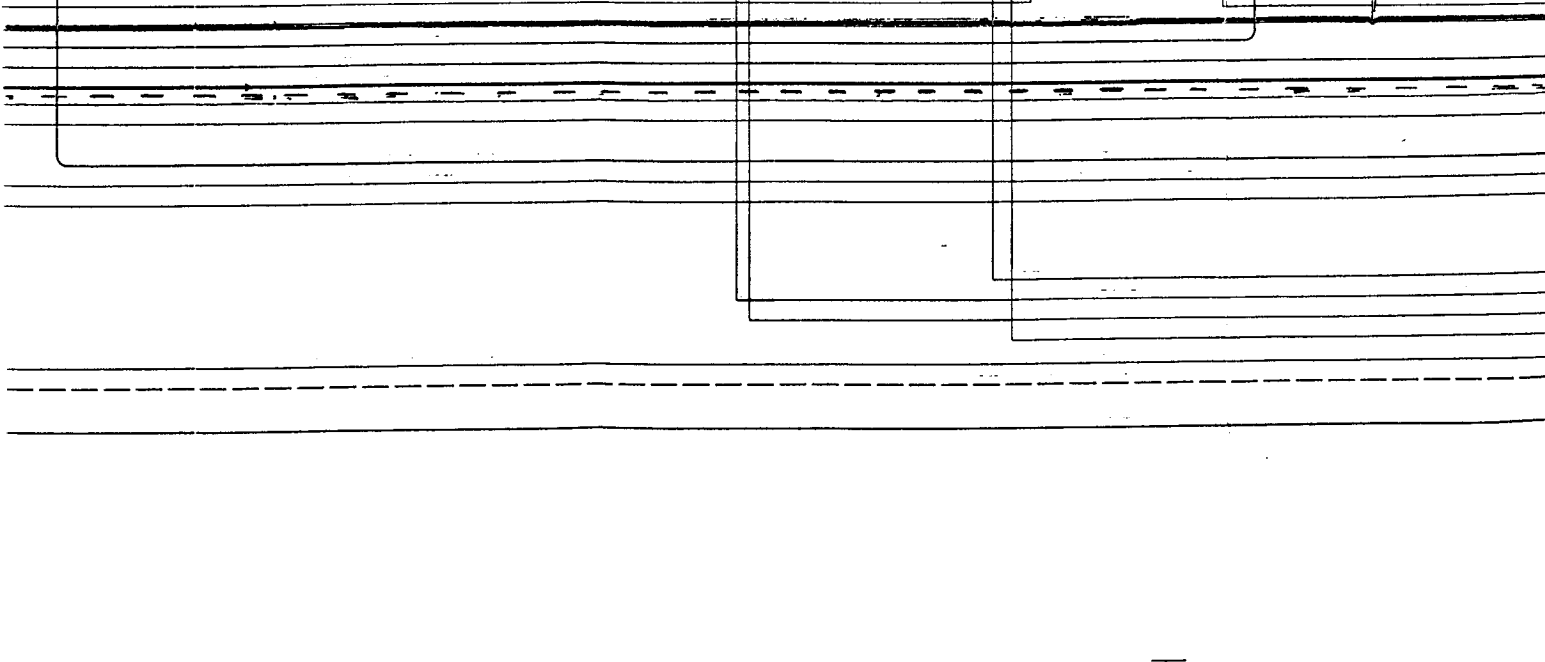
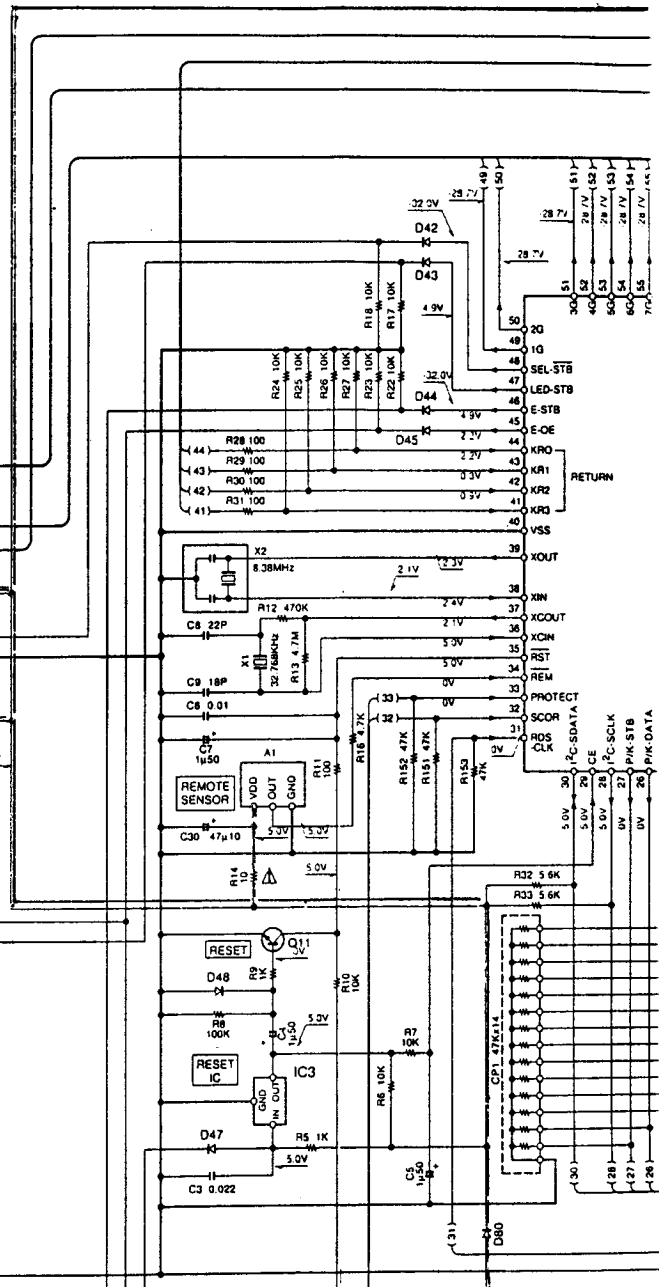
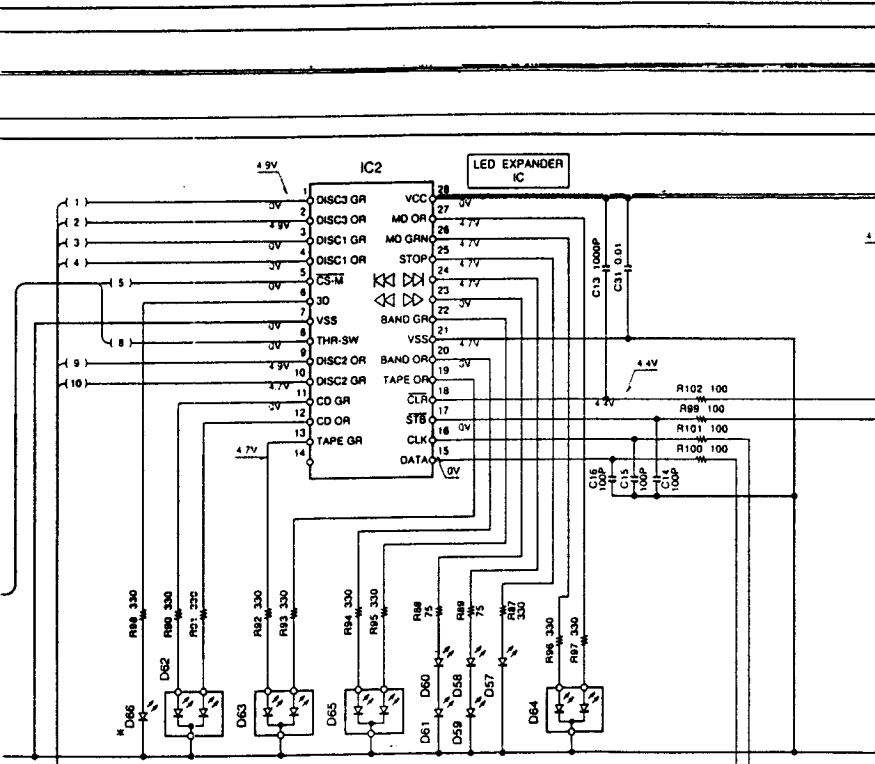
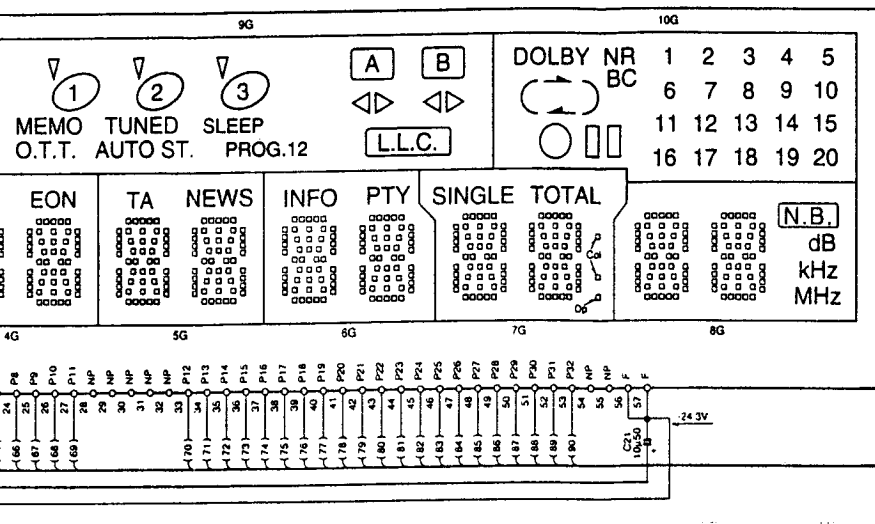
(X14-41XX-XX)(A/2)

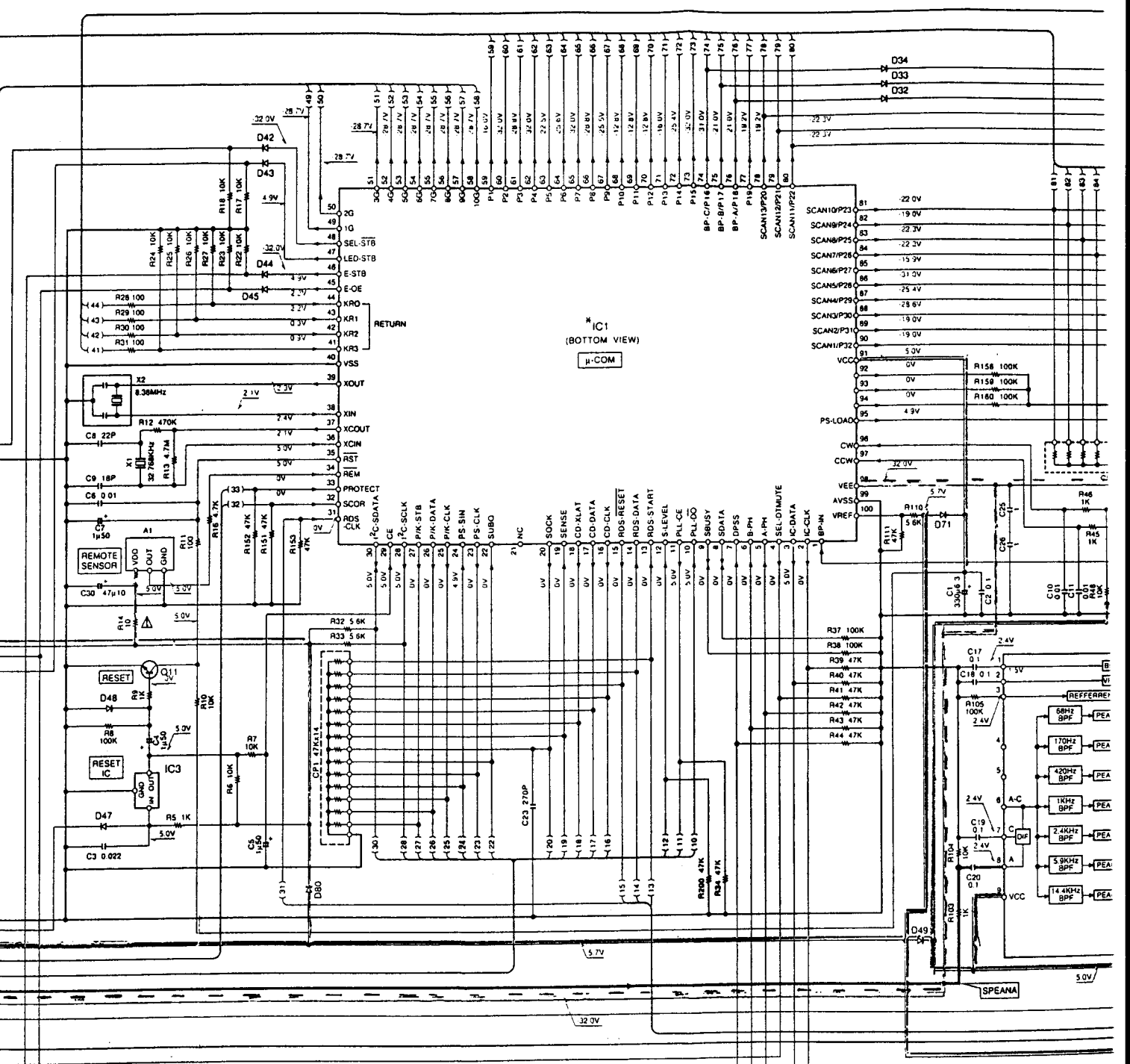


For Service Manuals Contact
MAURITRON TECHNICAL SERVICES
 8 Cherry Tree Rd, Chinnor
 Oxon OX9 4QY
 Tel: 01844-351694 Fax: 01844-352554
 Email: enquiries@mauritron.co.uk

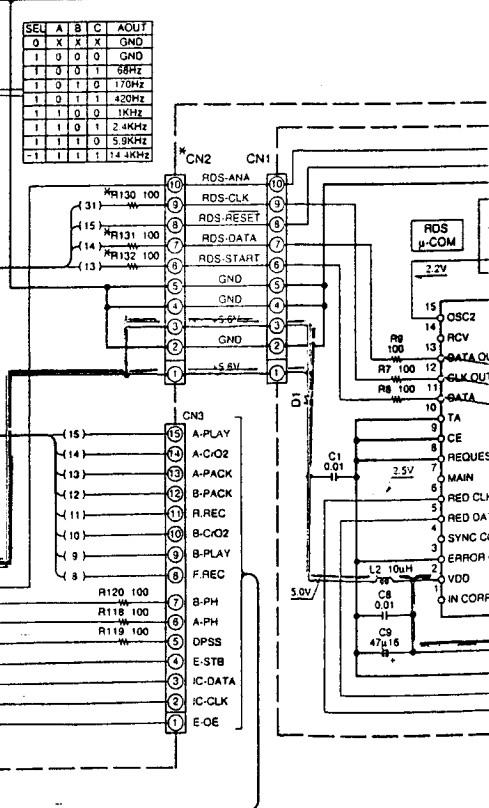
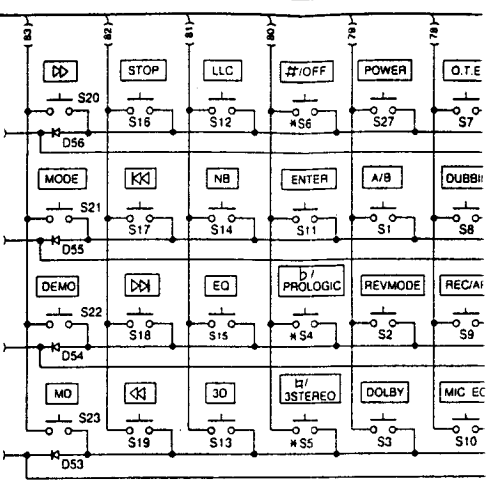
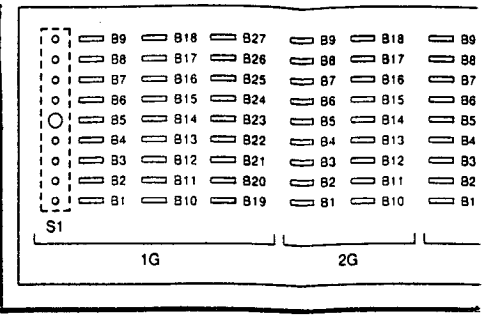
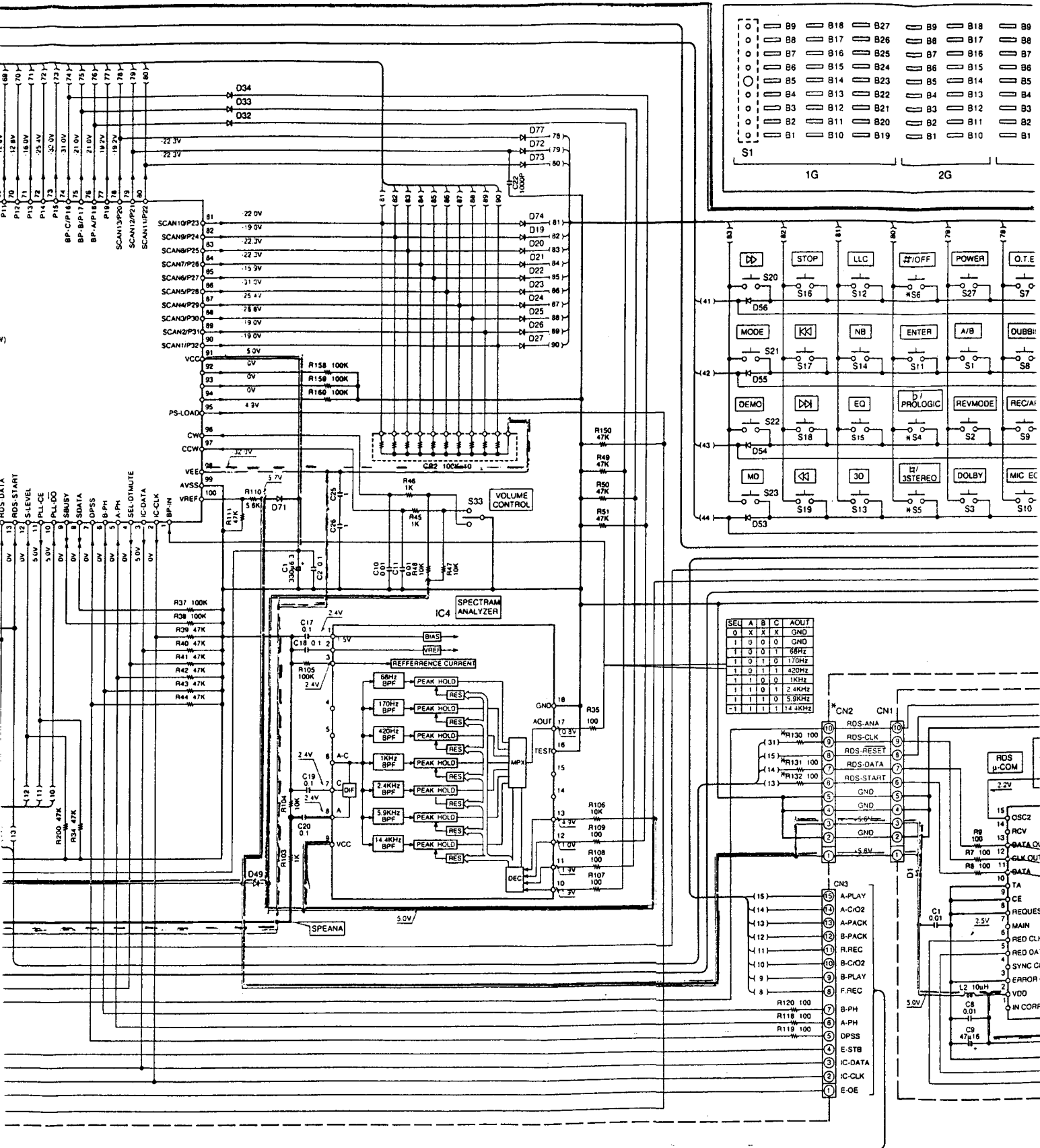
1
2
3
4
5
6
7

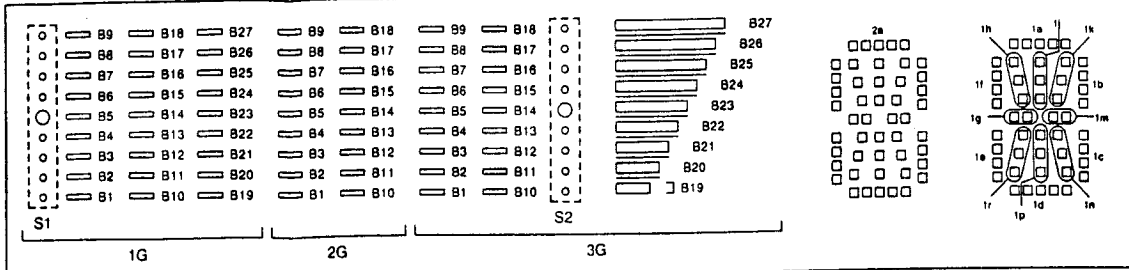
53



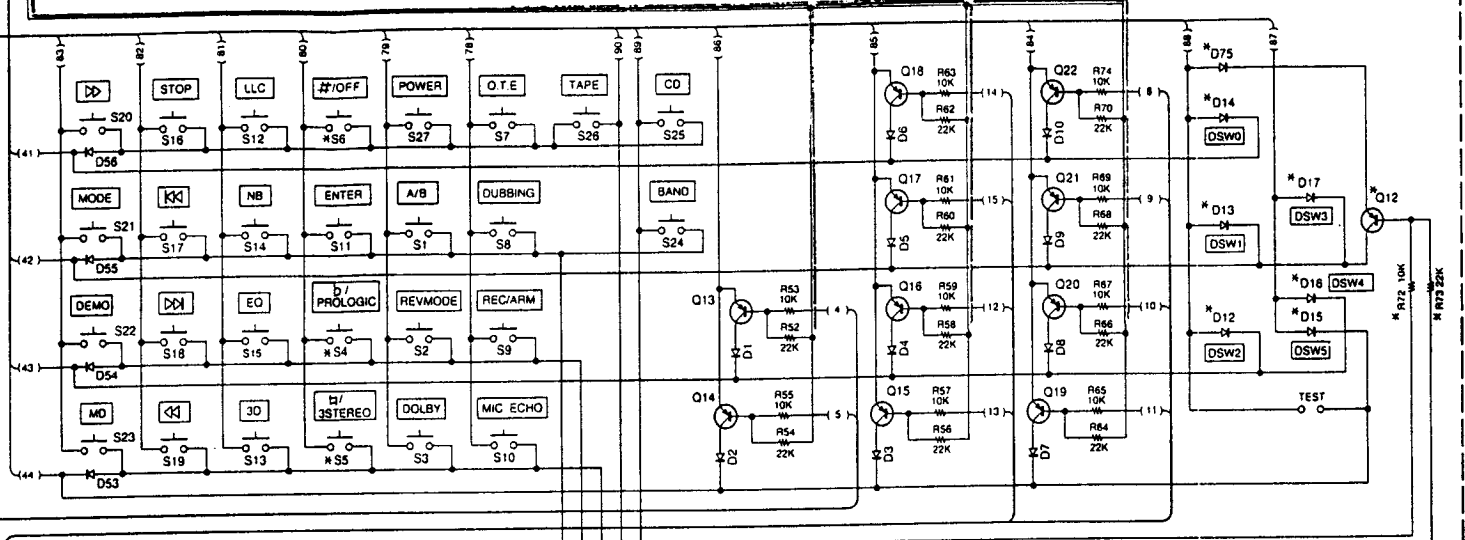


For Service Manuals Contact
MAURITRON TECHNICAL SERVICES
 8 Cherry Tree Rd, Chinnor
 Oxon OX9 4QY
 Tel: 01844 351694 Fax: 01844 352654
 Email: enquiries@maurtron.co.uk

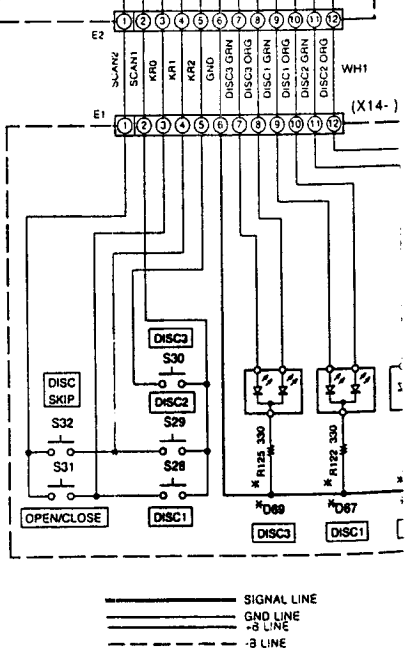
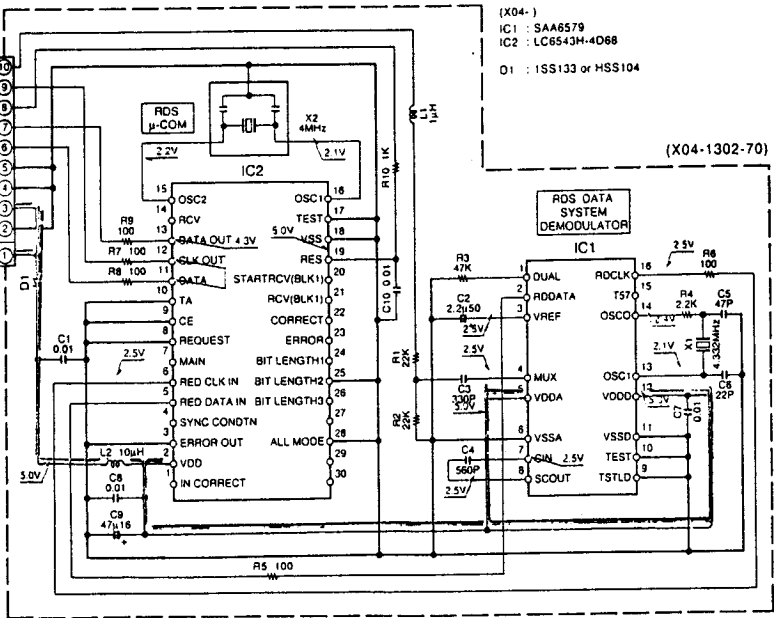




- (X14-)
- IC1 : NJU3718L
 - IC2 : S-806D-Z or PST993D-T
 - IC3 : BA3835F
 - IC4 : 25C4081
 - Q2,3,8,9,11 : 25B1218A(O.P) or 25A1578A
 - Q12-22 : MA111
 - D1-4,12-17,23,32-34 : MA111
 - 42,43,48,75 : 1SS131 or HSS104A
 - 05-10,19-22,24-27,44,45,47 : 1SS131 or HSS104A
 - 71-74,77,80 : NTZ6,8(B) or UZ-6,8SSB
 - D52 : S30-2462-05
 - D57-61,86 : B30-2476-05
 - D62-65,67-69 : B30-2476-05



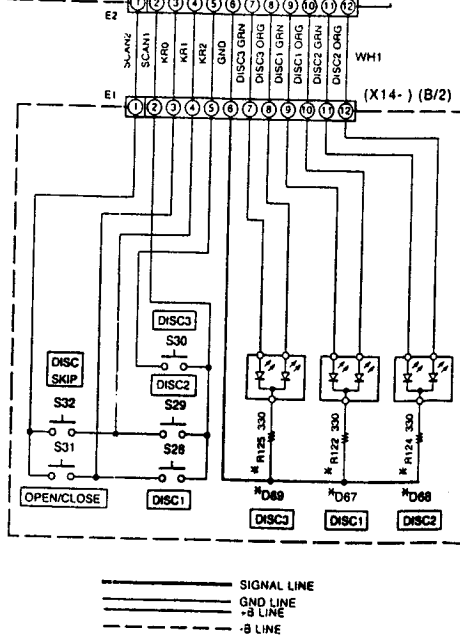
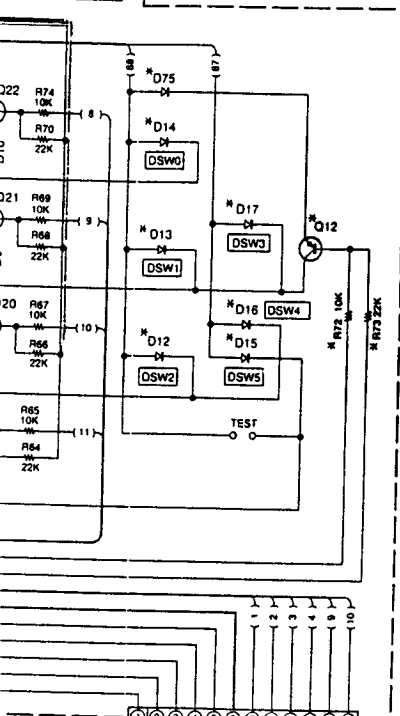
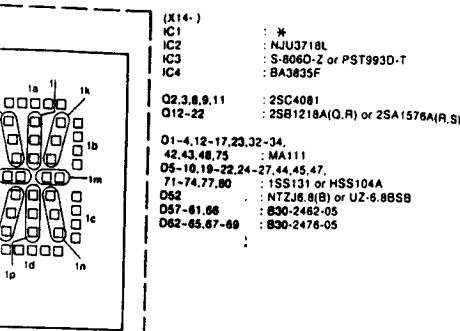
SEL	A	B	C	AOUT
0	X	X	X	GND
1	0	0	0	GND
1	0	0	1	0.9KHZ
1	0	1	0	1.75KHZ
1	0	1	1	4.20KHZ
1	1	0	0	1.0KHZ
1	1	0	1	2.4KHZ
1	1	1	0	3.9KHZ
1	1	1	1	11.4KHZ



— SIGNAL LINE
 — GND LINE
 -B LINE
 -B LINE

RXD-G3/G4/G5/G31/

For Service Manuals Contact
MAURITRON TECHNICAL SERVICES
 8 Cherry Tree Rd, Chinnor
 Oxon OX9 4QY
 Tel: 01844-351694 Fax: 01844-352554
 Email: enquiries@maurtron.co.uk



RXD-G3/G4/G5/G31/G51(K)(6/6)

RXD-G3 (X14-410X-XX)

DESTINATION	UNIT No	IC1	Q12	D12	D13	D14	D15-17, 87-89
K	0-11			NO	NO	NO	
P				NO	NO	NO	
Y				NO	NO	NO	
M				NO	NO	NO	
I	0-21	M38198MC-089-FP	YES	NO	NO	YES	NO
C				NO	NO	NO	
X	0-71			NO	NO	YES	NO
T	0-51			NO	YES	NO	NO
E	2-71			NO	YES	NO	YES

DESTINATION	UNIT No	D75	S4-8	ED1	CN2	R72, 73	R122, 124, 125, 130-132
K	0-11	NO				NO	
P						NO	
Y						NO	
M						NO	
I	0-21	YES	NO	BJ428GK	NO	YES	NO
C						NO	
X	0-71					NO	
T	0-51					NO	
E	2-71					NO	

RXD-G4 (X14-411X-XX)

DESTINATION	UNIT No	IC1	Q12	D12	D13	D14	D15	D16, 17, 87-89
K	0-11			NO	NO	NO		
P				NO	NO	NO		
Y				NO	NO	NO		
M				NO	NO	NO		
I	0-21	M38198MC-089-FP	YES	NO	NO	YES	NO	YES
C				NO	NO	NO		
X	0-71			NO	NO	YES	NO	NO
T	0-51			NO	YES	NO	NO	NO
E	2-71			NO	YES	NO	NO	YES

DESTINATION	UNIT No	D75	S4-8	ED1	CN2	R72, 73	R122, 124, 125, 130-132
K	0-11	NO				NO	
P						NO	
Y						NO	
M						NO	
I	0-21	YES	NO	FIP10FMWR	NO	YES	YES
C						NO	
X	0-71					NO	
T	0-51					NO	
E	2-71					NO	

RXD-G5 (X14-411X-XX)

DESTINATION	UNIT No	IC1	Q12	D12	D13	D14	D15	D16, 17, 87-89
K	0-12			NO	NO	NO		
P				NO	NO	NO		
Y				NO	NO	NO		
M				NO	NO	NO		
I	0-22	M38198MC-089-FP	YES	NO	NO	YES	NO	YES
C				NO	NO	NO		
X	0-72			NO	NO	YES	NO	NO
T	0-52			NO	YES	NO	NO	NO
E	2-72			NO	YES	NO	NO	YES

DESTINATION	UNIT No	D75	S4-8	ED1	CN2	R72, 73	R122, 124, 125, 130-132
K	0-12	NO				NO	
P						NO	
Y						NO	
M						NO	
I	0-22	YES	YES	FIP10FMWR	NO	YES	YES
C						NO	
X	0-72					NO	
T	0-52					NO	
E	2-72					NO	

RXD-G31 (X14-4100-22)

DESTINATION	UNIT No	IC1	Q12	D12, 13, 15, 16, 87-89	D14, 17, 75
M	0-22	M38198MC-089-FP	YES	NO	NO
I				NO	NO
C				NO	NO

DESTINATION	UNIT No	S4-8	ED1	CN2	R72, 73	R122, 124, 125, 130-132
ABB	0-22	NO	BJ428GK	NO	YES	NO
M						
I						
C						

RXD-G51 (X14-4110-23)

DESTINATION	UNIT No	IC1	Q12	D12, 13, 18	D14, 15, 17, 87-89, 75
M	0-23	M38198MC-089-FP	YES	NO	YES
I				NO	NO
C				NO	NO

DESTINATION	UNIT No	S4-8	ED1	CN2	R72, 73, 122, 124, 125	R130-132
ABB	0-23	NO	FIP10FMWR	NO	YES	NO
M						
I						
C						

DESTINATION	COUNTRY	ABB
U.S.A.	U.S.A.	K
CANADA	CANADA	P
FX	FX	F
GENERAL MARKET	GENERAL MARKET	M
MALAYSIA	MALAYSIA	I
CHINA	CHINA	C
AUSTRALIA	AUSTRALIA	X
U.K.	U.K.	T
EUROPE	EUROPE	E

CAUTION: For continued safety, replace safety critical components only with manufacturer's recommended parts (refer to parts list). ⚠ indicates safety critical components. For continued protection against risk of fire, replace only with same type and rating fuse(s). To reduce the risk of electric shock, leakage-current or resistance measurements shall be carried out (exposed parts are acceptably insulated from the supply circuit) before the appliance is returned to the customer.

The DC voltage is an actual reading measured with a high impedance type voltmeter with no signal input. The measurement value may vary depending on the measuring instruments used or on the product.

For Service Manuals Contact
MAURITRON TECHNICAL SERVICES
 8 Cherry Tree Rd, Chinnor
 Oxon OX9 4QY
 Tel: 01844-351694 Fax: 01844-352554
 Email: enquiries@mauritron.co.uk

RXD-G3/G4/G5/G31/G51
KENWOOD