

UD COMPONENT SYSTEM/COMPACT HI-FI SYSTEM  
**RXD-G3/G4/G5/G31/G51**  
**SERVICE MANUAL**  
 (UD-305/315/405/505/515)

**KENWOOD**

For Service Manuals Contact  
**MAURITRON TECHNICAL SERVICES**  
 8 Cherry Tree Rd, Chinnor  
 Oxon OX9 4QY  
 Tel: 01844-351694 Fax: 01844-352554  
 Email: enquiries@mauritron.co.uk

© 1996-2/B51-5149-00 (K/K) 4202

For Service Manuals Contact  
**MAURITRON TECHNICAL SERVICES**  
 8 Cherry Tree Rd, Chinnor  
 Oxon OX9 4QY  
 Tel: 01844-351694 Fax: 01844-352554  
 Email: enquiries@mauritron.co.uk

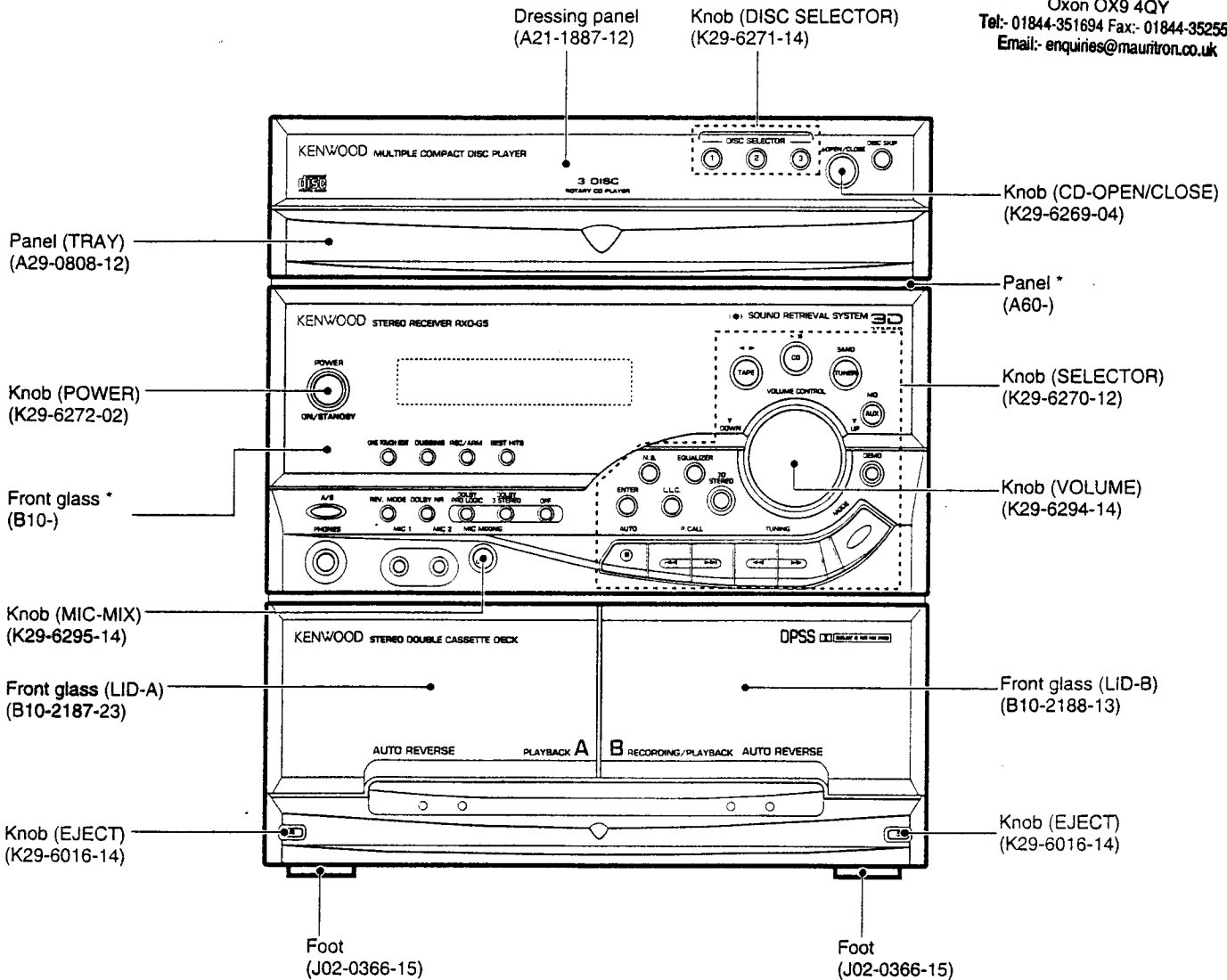
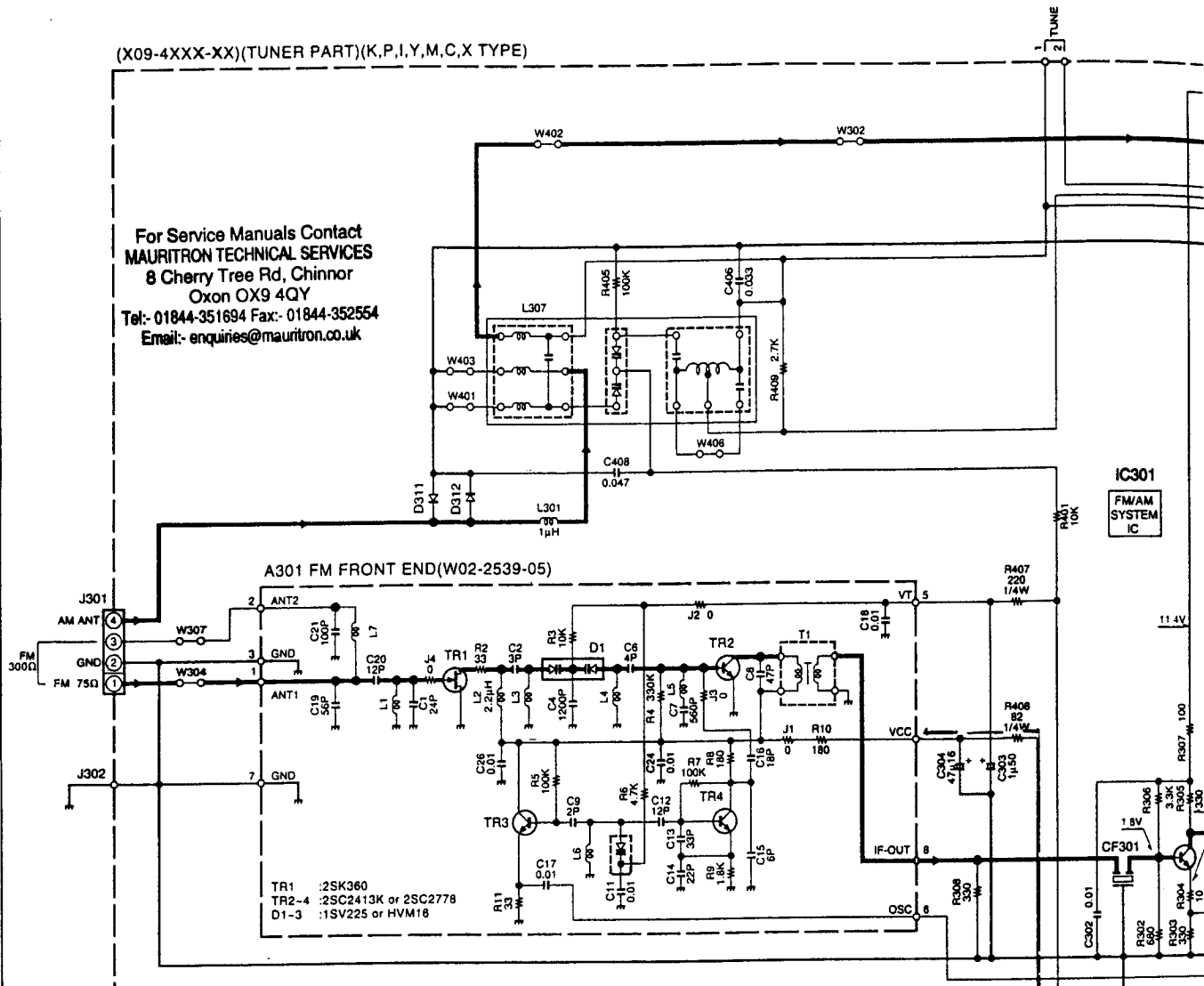


Illustration is RXD-G5.

\* Refer to parts list on page 63.

(X09-4XXX-XX)(TUNER PART)(K,P,I,Y,M,C,X TYPE)

For Service Manuals Contact  
**MAURITRON TECHNICAL SERVICES**  
 8 Cherry Tree Rd, Chinnor  
 Oxon OX9 4QY  
 Tel: 01844-351694 Fax: 01844-352554  
 Email: enquiries@mauritron.co.uk



A301 FM FRONT END(W02-2539-05)

TR1 :2SK360  
 TR2-4 :2SC2413K or 2SC2778  
 D1-3 :1SV225 or HVM18

RXD-G3 (X09-413X-XX)

DESTINATION	UNIT No.	Q315, 316	R373-378	C387, 388	C311, 312	S301	W334
K							
P	0-11	NO	NO	NO	0.022	NO	NO
Y							
M	0-21	YES	YES	YES	0.012	YES	YES
I							
C	3-01	NO	NO	NO		NO	NO
X	0-71	NO	NO	NO		NO	NO

RXD-G4 (X09-432X-XX)

DESTINATION	UNIT No.	Q315, 316	R373-378	C387, 388	C311, 312	S301	W334
K							
P	0-11	NO	NO	NO	0.022	NO	NO
Y							
M	0-21	YES	YES	YES	0.012	YES	YES
I							
C	3-01	NO	NO	NO		NO	NO
X	0-71	NO	NO	NO		NO	NO

RXD-G5 (X09-445X-XX)

DESTINATION	UNIT No.	Q315, 316	R373-378	C387, 388	C311, 312	S301	W334
K							
P	0-10	NO	NO	NO	0.022	NO	NO
Y							
M	0-21	YES	YES	YES	0.012	YES	YES
I							
C	3-01	NO	NO	NO		NO	NO
X	0-71	NO	NO	NO		NO	NO

RXD-G31

DESTINATION	UNIT No.	Q315, 316	R373-378	C387, 388	C311, 312	S301	W334
M	0-22	YES	YES	YES	0.012	YES	YES
I							
C	3-01	NO	NO	NO		NO	NO

(X09-)

- IC301 : BA1450S
- IC302 : LC72131
- IC303 : NJM4565D
- Q301 : 2SC2714(R.O)
- Q302,307 : 2SB1218A(Q.R) or 2SA1578A(R.S)
- Q304-306,315,316 : 2SD1819A(Q.R) or 2SC4081(R.S)

- D301 : MTZJ6.8(B) or UZ-6.8BSB
- D302,308,311,312 : 1SS133 or HSS104
- D308 : MTZJ5.1(B) or UZ-5.1BSB
- D315 : MTZJ3.3(B) or UZ-3.3BSB

DESTINATION	COUNTRY	ABB
	U.S.A.	K
	CANADA	P
	PX	Y
GENERAL MARKET		M
	MALAYSIA	I
	CHINA	C
	AUSTRALIA	X

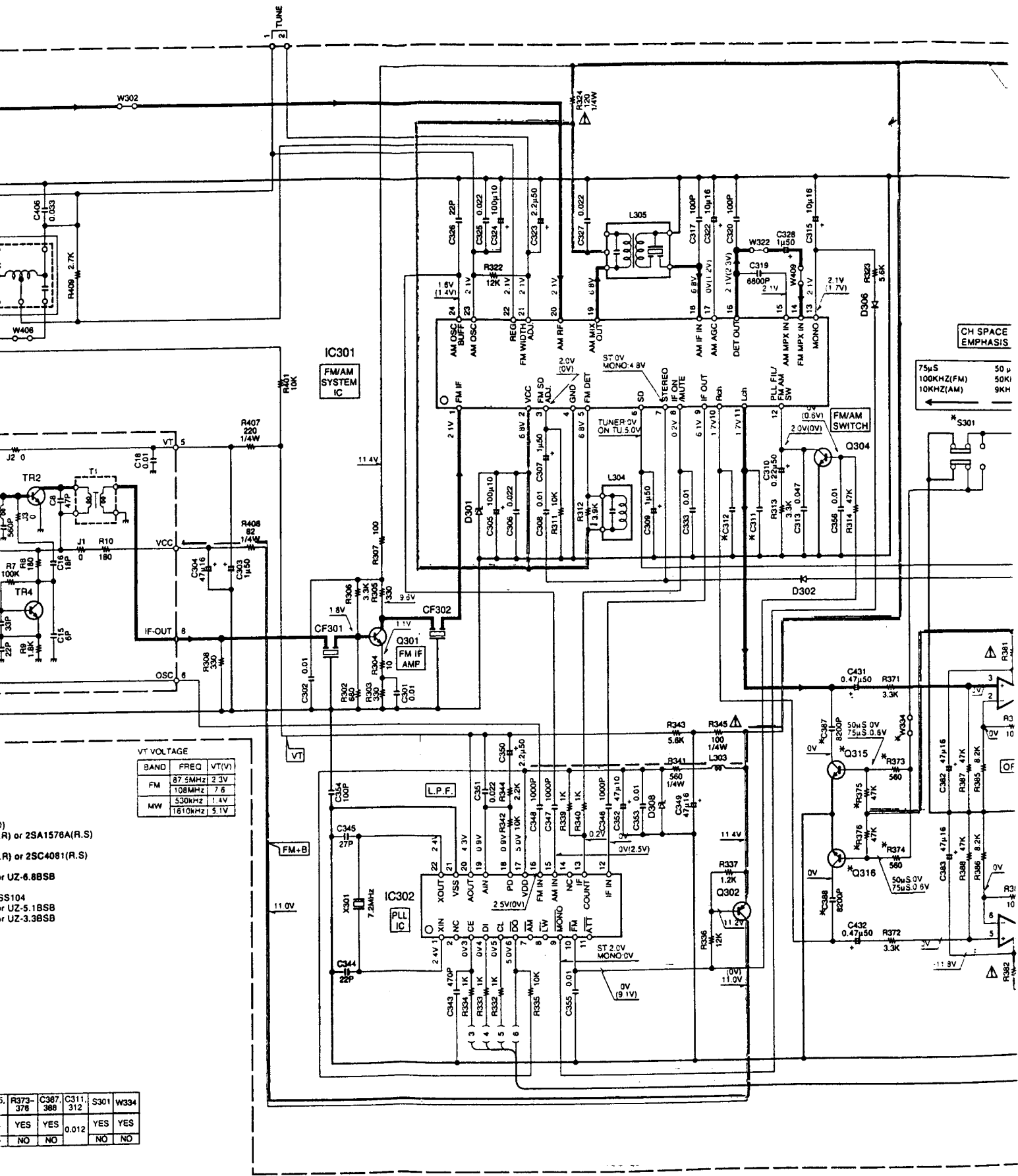
RXD-G51 (X09-445X-XX)

DESTINATION	UNIT No.	Q315, 316	R373-378	C387, 388	C311, 312	S301	W334
M	0-22	YES	YES	YES	0.012	YES	YES
I							
C	3-02	NO	NO	NO		NO	NO

BAND	FREQ	VT(V)
FM	87.5MHz	2.3V
	108MHz	7.6
MW	530kHz	1.4V
	1610kHz	5.1V

**CAUTION:** For continued safety, replace safety critical components only with manufacturer's recommended parts (refer to parts list).  $\Delta$  indicates safety critical components. For continued protection against risk of fire, replace only with same type and rating fuse(s). To reduce the risk of electric shock, leakage-current or resistance measurements shall be carried out (exposed parts are acceptably insulated from the supply circuit) before the appliance is returned to the customer.

The DC voltage is an actual real voltmeter as the AM/FM signal generator the list below. The measurement instruments used or on the product measured in the AM mode.



VT VOLTAGE

BAND	FREQ	VT(V)
FM	87.5MHz	2.3V
	108MHz	7.6
MW	530kHz	1.4V
	1610kHz	5.1V

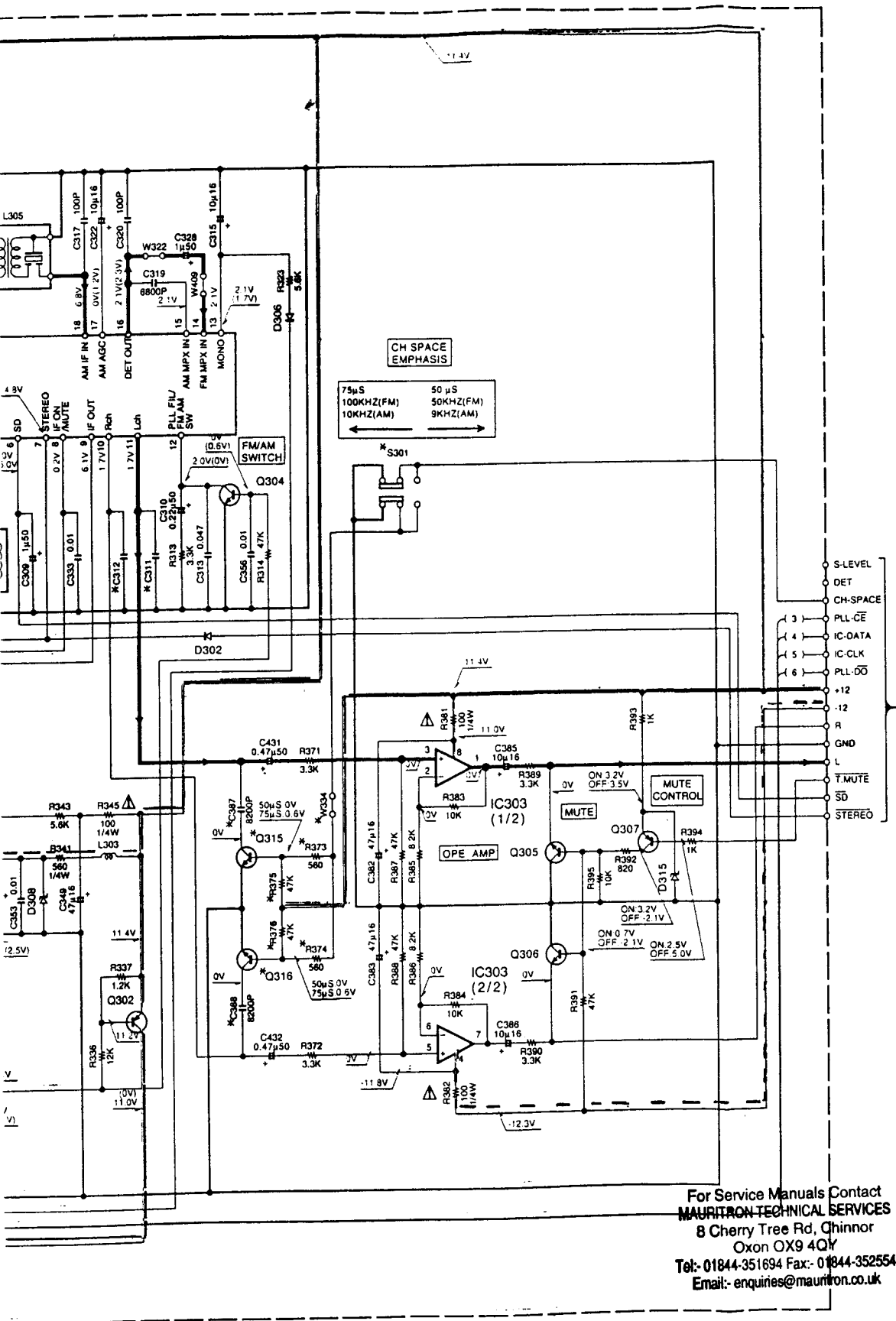
CH SPACE EMPHASIS

75µS 50µ  
100KHZ(FM) 50K  
10KHZ(AM) 9KH

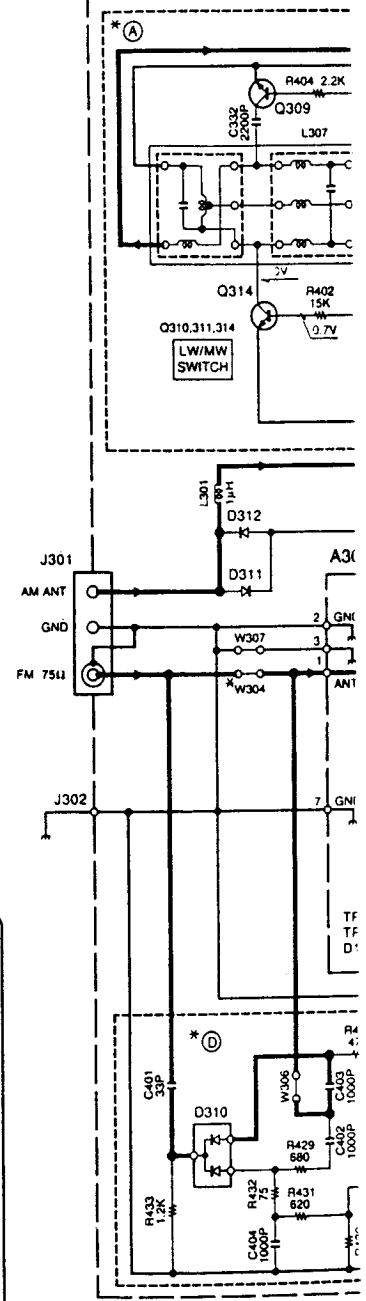
- ( ) or 2SA1576A(R.S)
  - ( ) or 2SC4081(R.S)
  - or UZ-6.88SB
  - GS104
  - or UZ-5.1BSB
  - or UZ-3.3BSB
- | 5, R373-376 | C387-388 | C311, 312 | S301 | W334 |
|-------------|----------|-----------|------|------|
| YES         | YES      | 0.012     | YES  | YES  |
| NO          | NO       |           | NO   | NO   |

The DC voltage is an actual reading measured with a high impedance type voltmeter as the AM/FM signal generator is specified to the conditions as shown in the list below. The measurement value may vary depending on the measuring instruments used or on the product. The value shown in ( ) is actual reading measured in the AM mode.

MODE	CARRIER	MODUL	
		FREQUENCY	
FM	98MHz	1kHz	STERE
AM	1000(999)kHz	400Hz	MONO



(X09-43XX-XX)(TUNER PART)



RXD-G3 (X09-431X-XX)					
DESTINATION	UNIT No.	A	B	C	D
COUNTRY ABB	2-71	NO	YES	NO	NO
EUROPE E	0-51	YES	NO	NO	NO
U.K.					

RXD-G4 (X09-432X-XX)					
DESTINATION	UNIT No.	A	B	C	D
COUNTRY ABB	2-71	NO	YES	NO	YES
EUROPE E	0-51	YES	NO	YES	YES
U.K.					

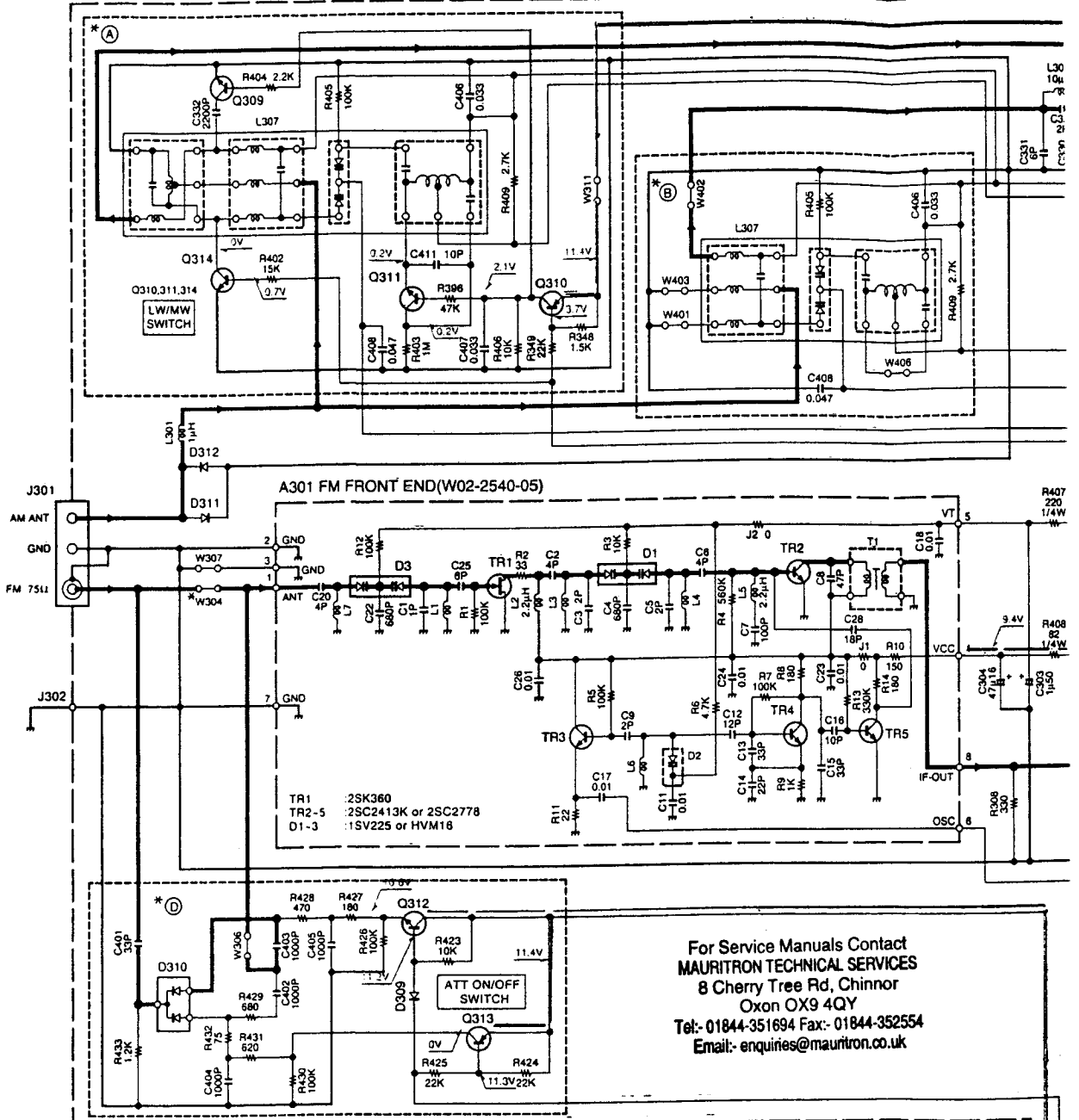
RXD-G5 (X09-445X-XX)					
DESTINATION	UNIT No.	A	B	C	D
COUNTRY ABB	2-71	NO	YES	NO	YES
EUROPE E	0-51	YES	NO	YES	YES
U.K.					

For Service Manuals Contact  
**MAURITRON TECHNICAL SERVICES**  
 8 Cherry Tree Rd, Qhinnor  
 Oxon OX9 4QY  
 Tel: 01844-351694 Fax: 01844-352554  
 Email: enquiries@mauritron.co.uk

nce type  
 shown in  
 measuring  
 l reading

MODE	CARRIER	MODULATION		ANT INPUT
		FREQUENCY	DEVIATION	
FM	98MHz	1kHz	STEREO 67.5kHz 7.5kHz(Pilot)	60dB
AM	1000(999)kHz	400Hz	MONO 30% MOD	60dB

(X09-43XX-XX)(TUNER PART)(T.E TYPE)



For Service Manuals Contact  
**MAURITRON TECHNICAL SERVICES**  
 8 Cherry Tree Rd, Chinnor  
 Oxon OX9 4QY  
 Tel:- 01844-351694 Fax:- 01844-352554  
 Email:- enquiries@mauritron.co.uk

VT VOLTAGE		
BAND	FREQ	VT(V)
FM	87.5MHz	2.3V
	108MHz	7.6V
MW	531kHz	1.4V
	1802kHz	5.1V

RXD-G3 (X09-431X-XX)							
DESTINATION	COUNTRY	UNIT No.	(A)	(B)	(C)	(D)	W304
EUROPE	E	2-71	NO	YES	NO	NO	NO
U.K.	Y	0-51	YES	NO	NO	NO	YES

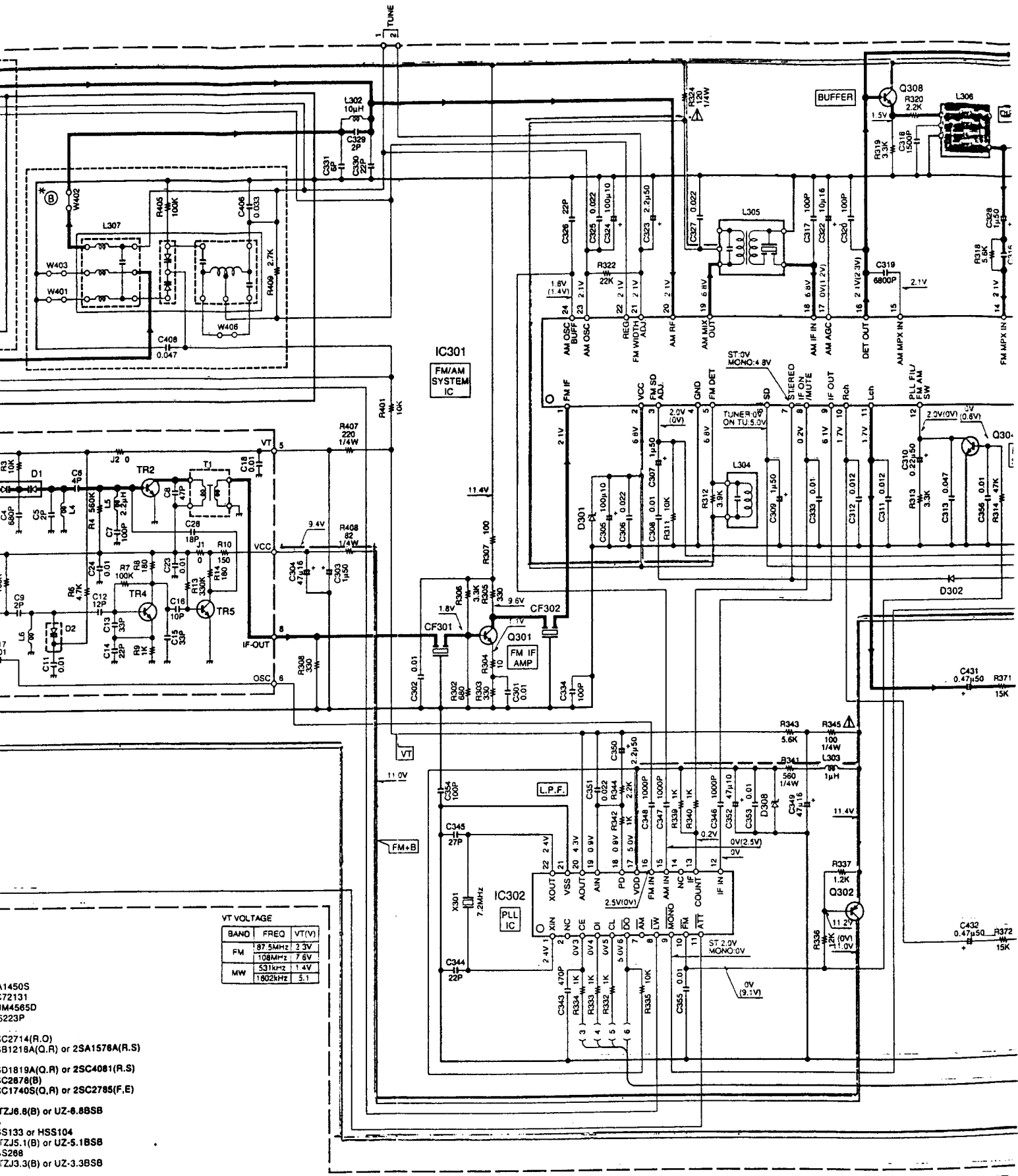
RXD-G4 (X09-432X-XX)							
DESTINATION	COUNTRY	UNIT No.	(A)	(B)	(C)	(D)	W304
EUROPE	E	2-71	NO	YES	YES	YES	NO
U.K.	Y	0-51	YES	NO	NO	NO	NO

RXD-G5 (X09-445X-XX)							
DESTINATION	COUNTRY	UNIT No.	(A)	(B)	(C)	(D)	W304
EUROPE	E	2-71	NO	YES	YES	YES	NO
U.K.	Y	0-51	YES	NO	NO	NO	NO

- (X09- )
- IC301 : BA1450S
  - IC302 : LC72131
  - IC303 : NJM4565D
  - IC305 : MS223P
  - Q301 : 2SC2714(R,O)
  - Q302,307,310,313 : 2SB1218A(Q,R) or 2SA1576A(R,S)
  - Q304-306,308,309,312 : 2SD1819A(Q,R) or 2SC4081(R,S)
  - Q311 : 2SC2878(B)
  - Q314 : 2SC1740S(Q,R) or 2SC2785(F,E)
  - D301 : MTZJ6.8(B) or UZ-6.8BSB
  - D302,306,309,311,312,314 : 1SS133 or HSS104
  - D308 : MTZJ5.1(B) or UZ-5.1BSB
  - D310 : 1SS268
  - D315 : MTZJ3.3(B) or UZ-3.3BSB

INPUT  
 IB  
 B



VT VOLTAGE

BAND	FREQ	VT(V)
FM	87.5MHz	3.3V
	108MHz	7.6V
MW	531kHz	1.4V
	1602kHz	5.1

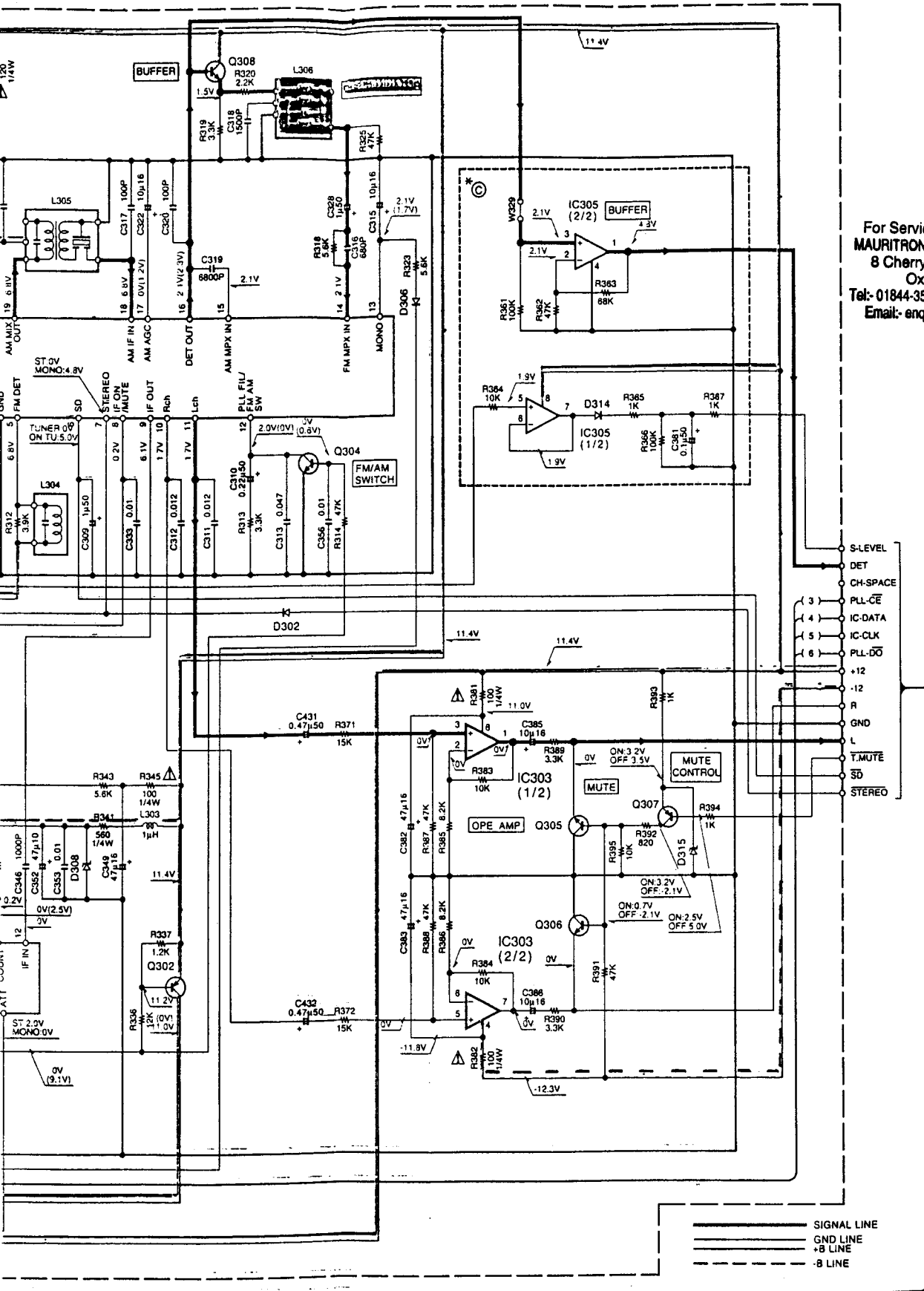
- IC2714 (R.O)
- IC1819A (Q.R) or 2SA1576A (R.S)
- IC2878 (B)
- IC1740S (Q.R) or 2SC2785 (F.E)
- IC17J6.6 (B) or UZ-6.6BSB
- IC17J5.1 (B) or UZ-5.1BSB
- IC17J3.3 (B) or UZ-3.3BSB

C432  
0.47µ50 R372  
15K

C431  
0.47µ50 R371  
15K

C310  
0.22µ50  
R313 3.3K  
C313 0.047  
R314 47K

C318  
150P  
R319 3.3K  
C319 6800P  
R318 5.8K



For Service Manuals Contact  
**MAURITRON TECHNICAL SERVICES**  
 8 Cherry Tree Rd, Chinnor  
 Oxon OX9 4QY  
 Tel: 01844-351694 Fax: 01844-352554  
 Email: enquiries@maurtron.co.uk

RXD-G3/G4/G5/G31/G51(K)(1/6)

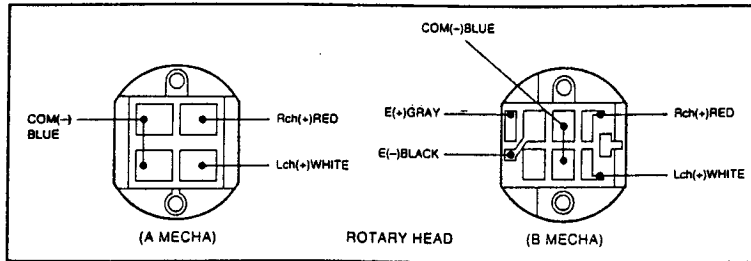
# RXD-G3/G4/G5/G31/G51

Y39-2300-00

## KENWOOD

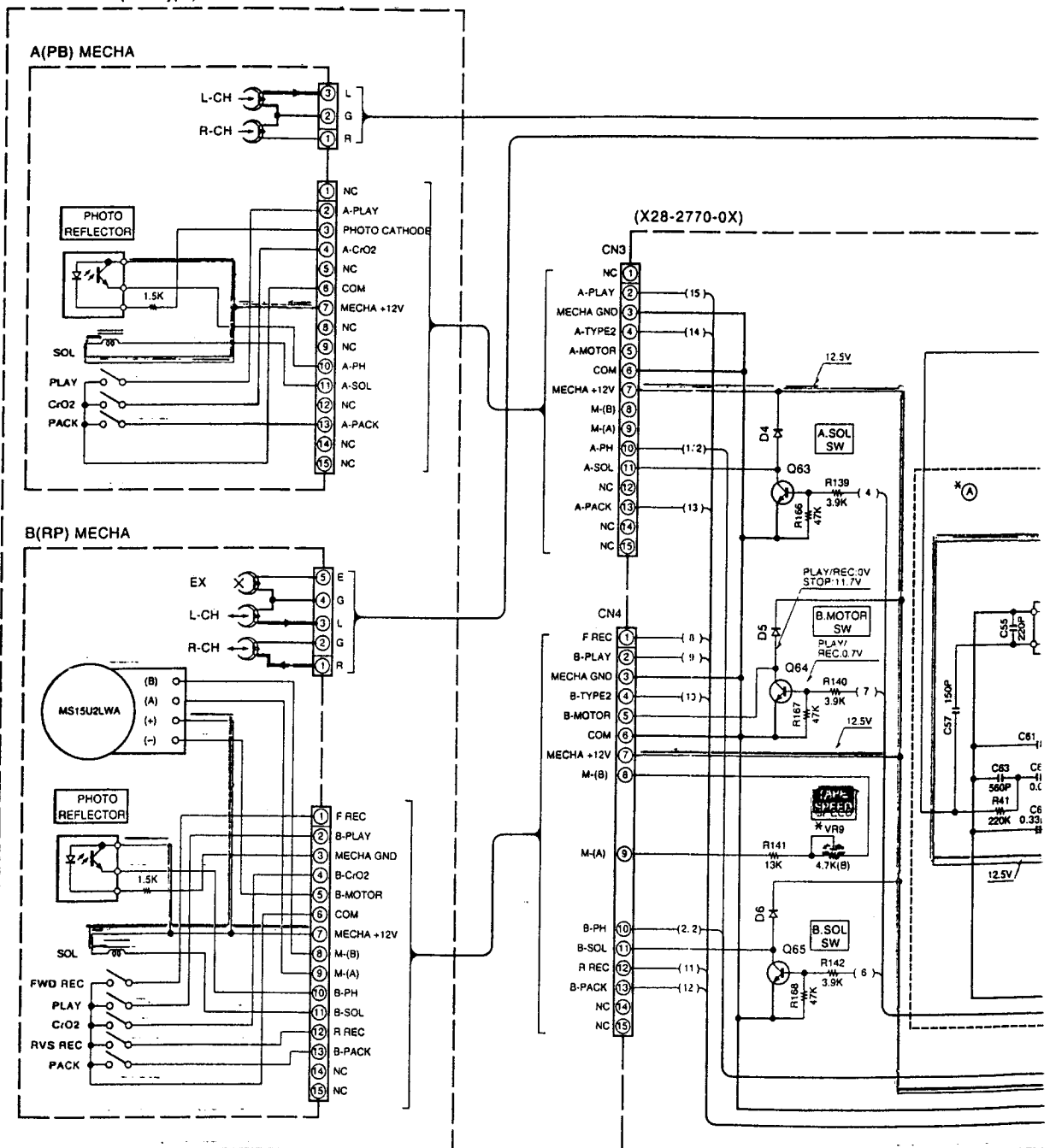
For Service Manuals Contact  
**MAURITRON TECHNICAL SERVICES**  
 8 Cherry Tree Rd, Chinnor  
 Oxon OX9 4QY  
 Tel: 01844-351694 Fax: 01844-352554  
 Email: enquiries@mauritron.co.uk

MODEL NAME	UNIT No.	A	C17, 18	C111, 112	C107	C113	R110	R127	R130, 131	R132, 133	W
RXD-G3	X28-2770-00	NO	YES	3300P	8200P/100	2.2u50	YES	82K	5.8/14W	33K	Y
RXD-G4	X28-2770-01	YES	NO	5800P	0.01u/100	4.7u35	NO	120K	10/14W	22K	F



- (X28-
- IC1,2
- IC3
- IC4
- IC5
- IC6,7
- Q1,2,5
- Q52,5f
- Q54,5e
- Q58
- Q60
- Q63-6
- D1,2,4
- D7

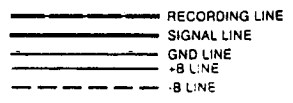
DECK MECHA (RVS type) D40-1427-08



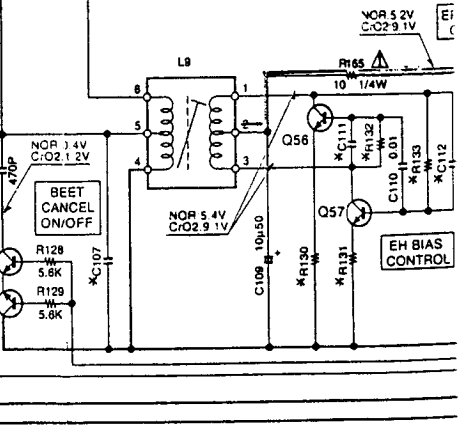
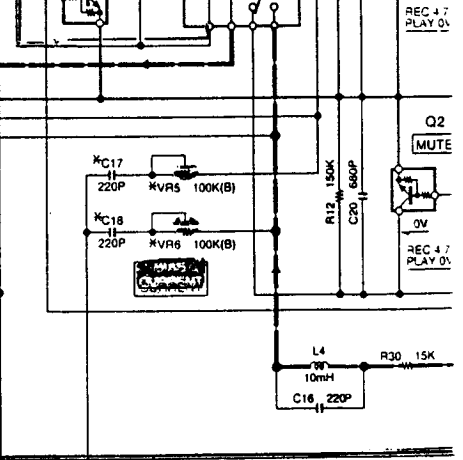
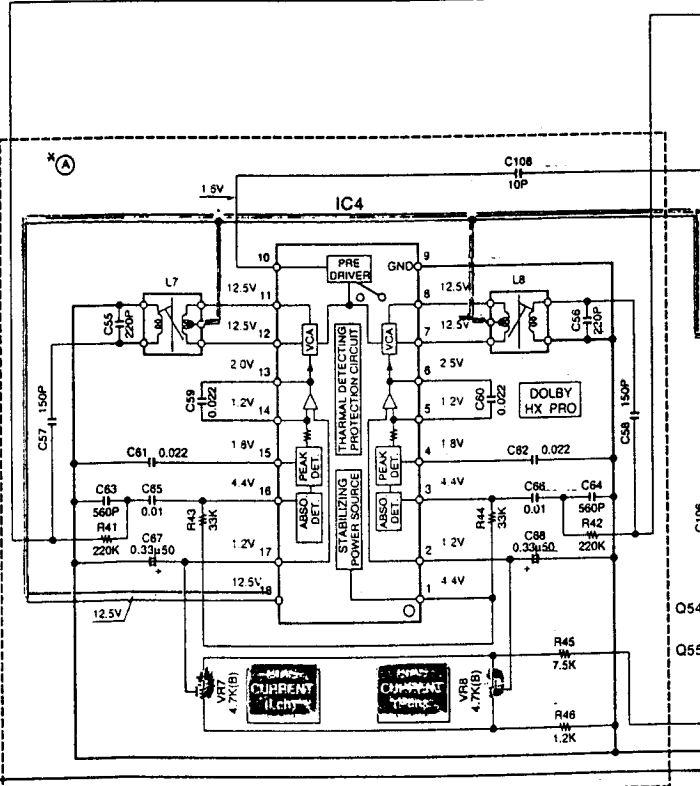
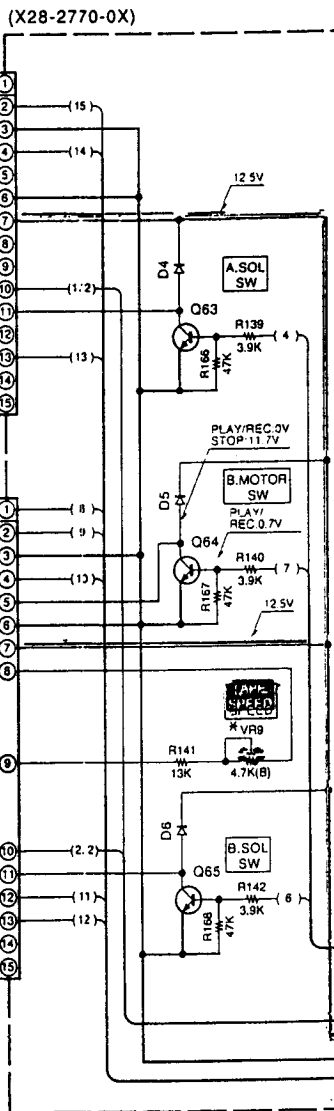
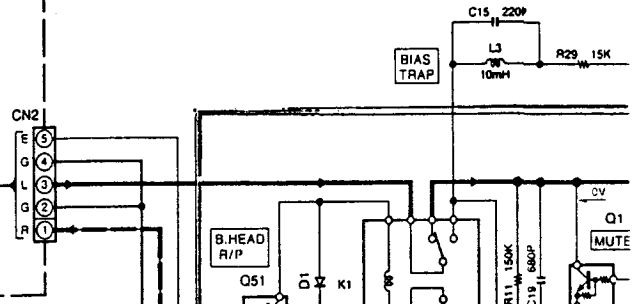
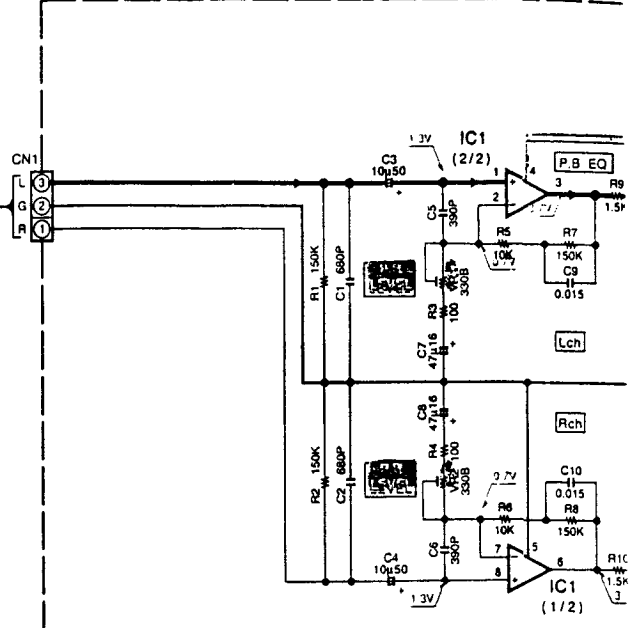


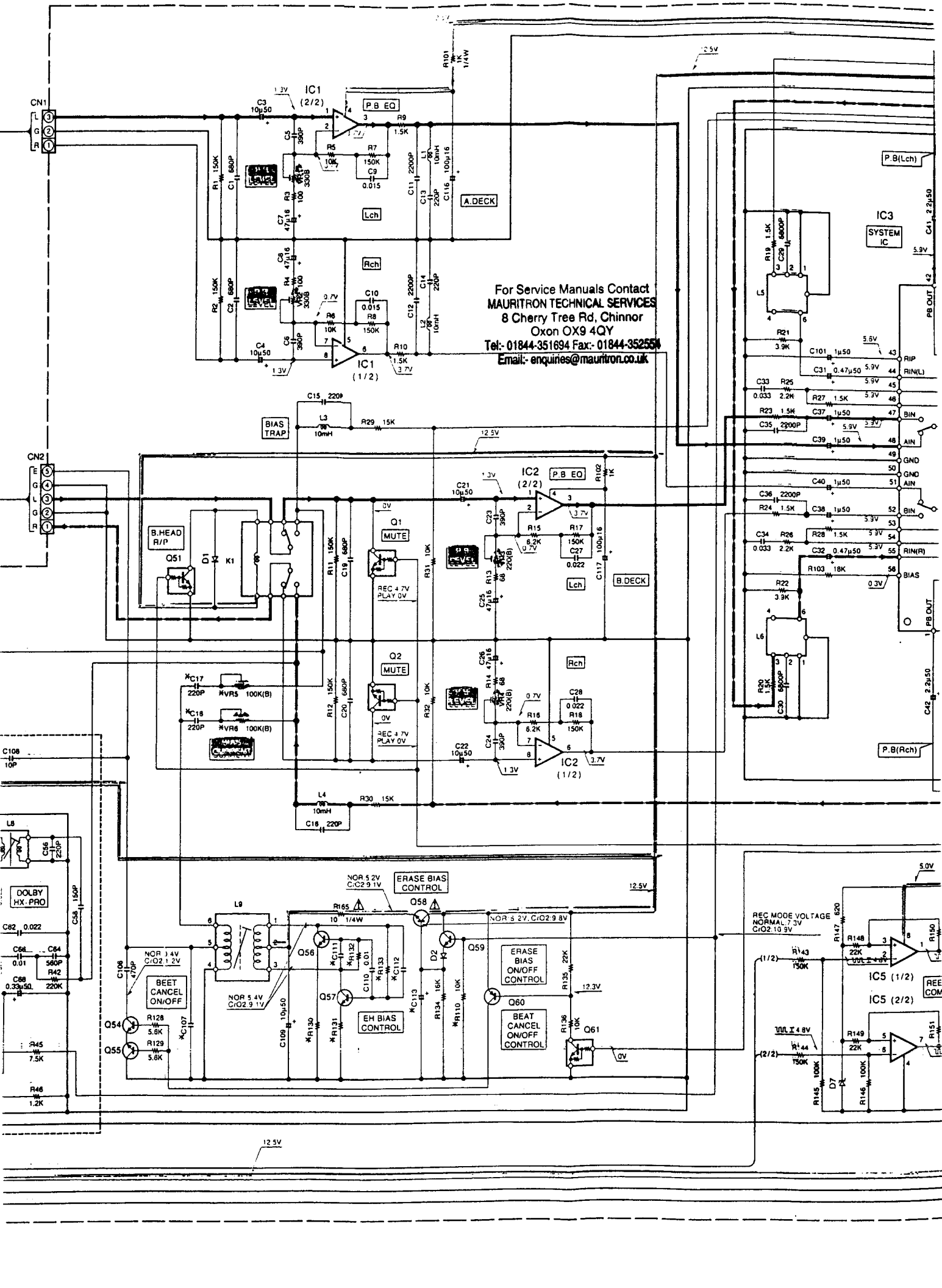
MODEL NAME	UNIT No.	A	C17, 18	C111, 112	C107	C113	R110	R127	R130, 131	R132, 133	VR5,6	L9	VR9
RXD-G3 RXD-G3T	X28-2770-00	NO	YES	3300P	8200P 100	2.2μ50	YES	82K	5.8 1/4W	33K	YES	L32-0542-05	R12-1819-05
RXD-G4 RXD-G5 RXD-G5T	X28-2770-01	YES	NO	5800P	0.01μ 100	4.7μ35	NO	120K	10 1/4W	22K	NO	L32-0570-05	R32-0038-05

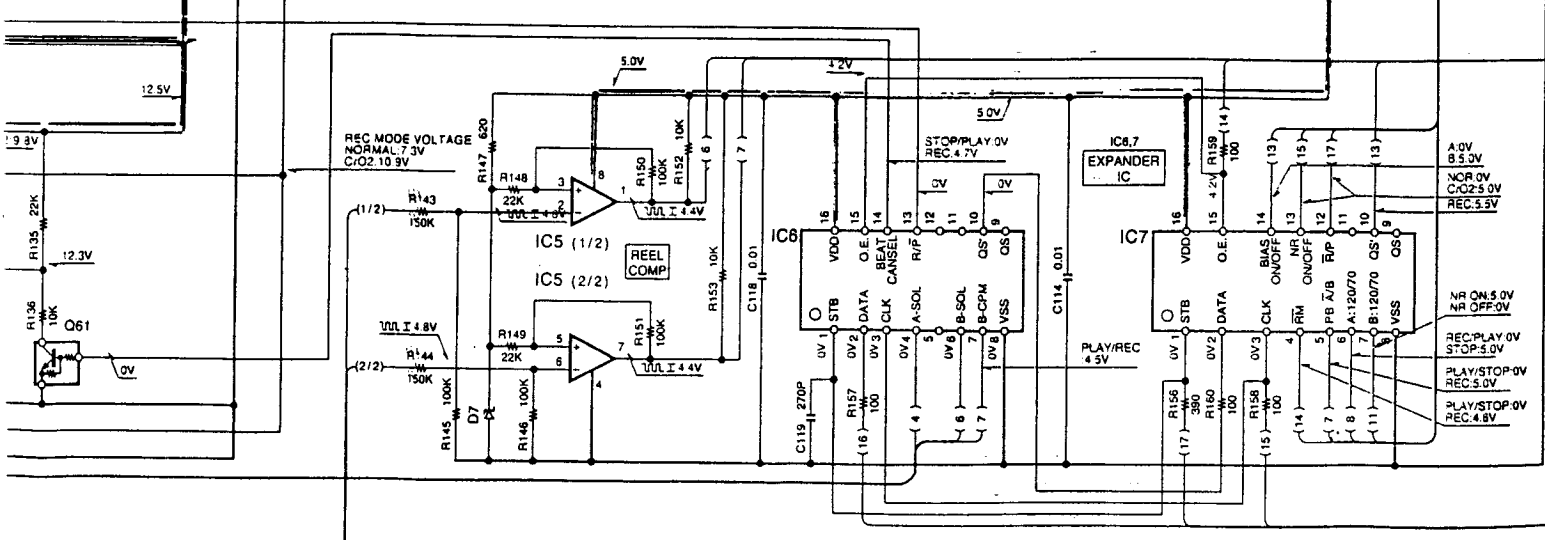
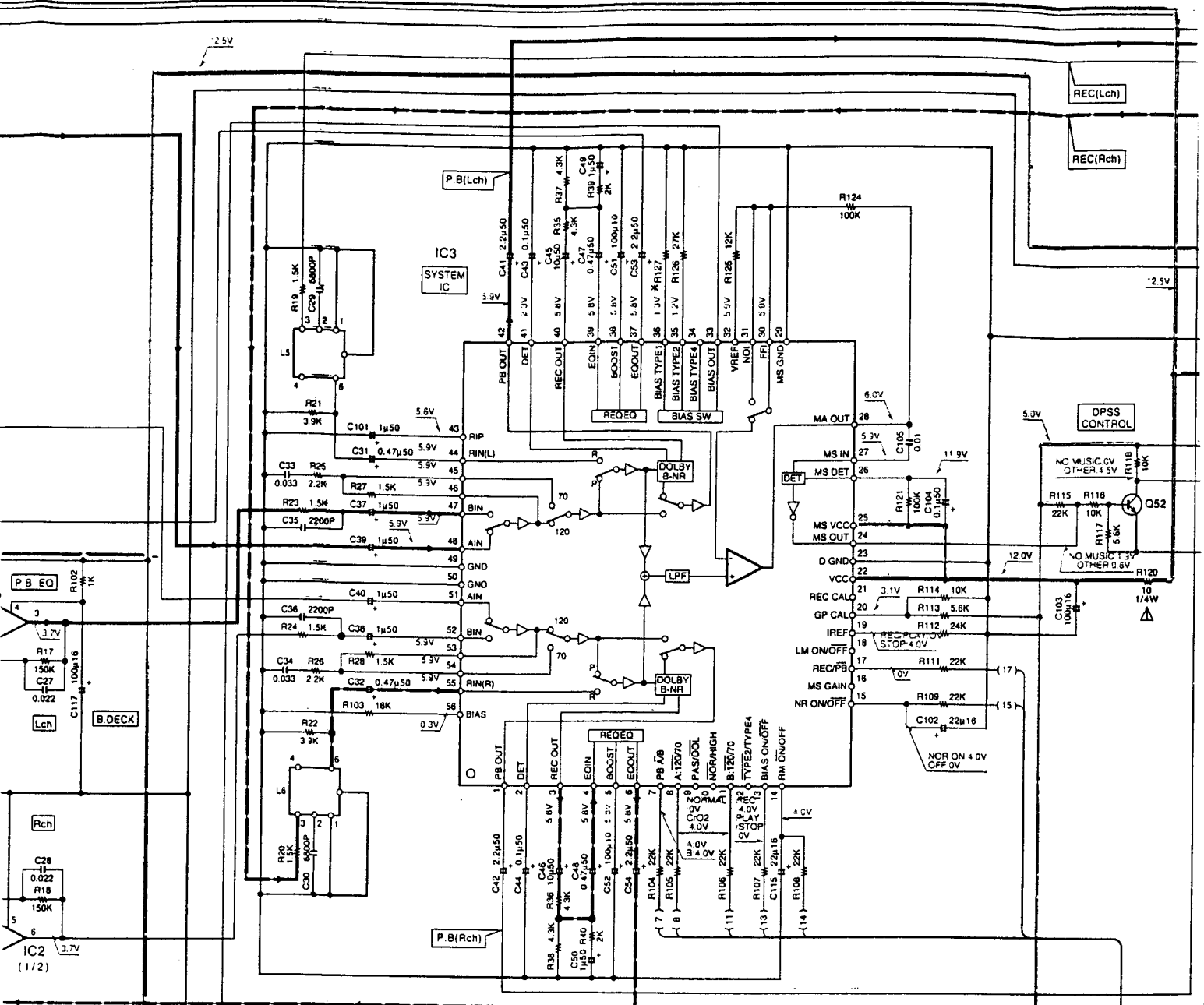
- (X28- )
- IC1,2 : TA8125S
  - IC3 : HA12182F
  - IC4 : μPC1287CA
  - IC5 : BA10393
  - IC6,7 : BU4094BC
- Q1,2,51,61 : DTC124ES or UN4212
- Q52,56,57,59 : 2SC2785(F.E) or 2SC1740S(Q.R)
- Q54,55 : 2SC1845(F.E)
- Q58 : 2SC3940A(R.S)
- Q60 : 2SA992(F.E)
- Q63-65 : 2SC3246
- D1,2,4-6 : 1SS133 or HSS104
- D7 : UZ-2.7BSB or MTZJ2.7(B)

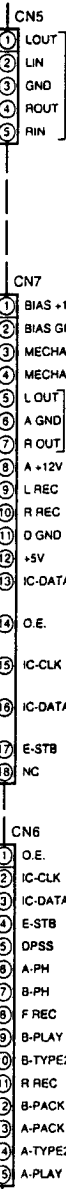
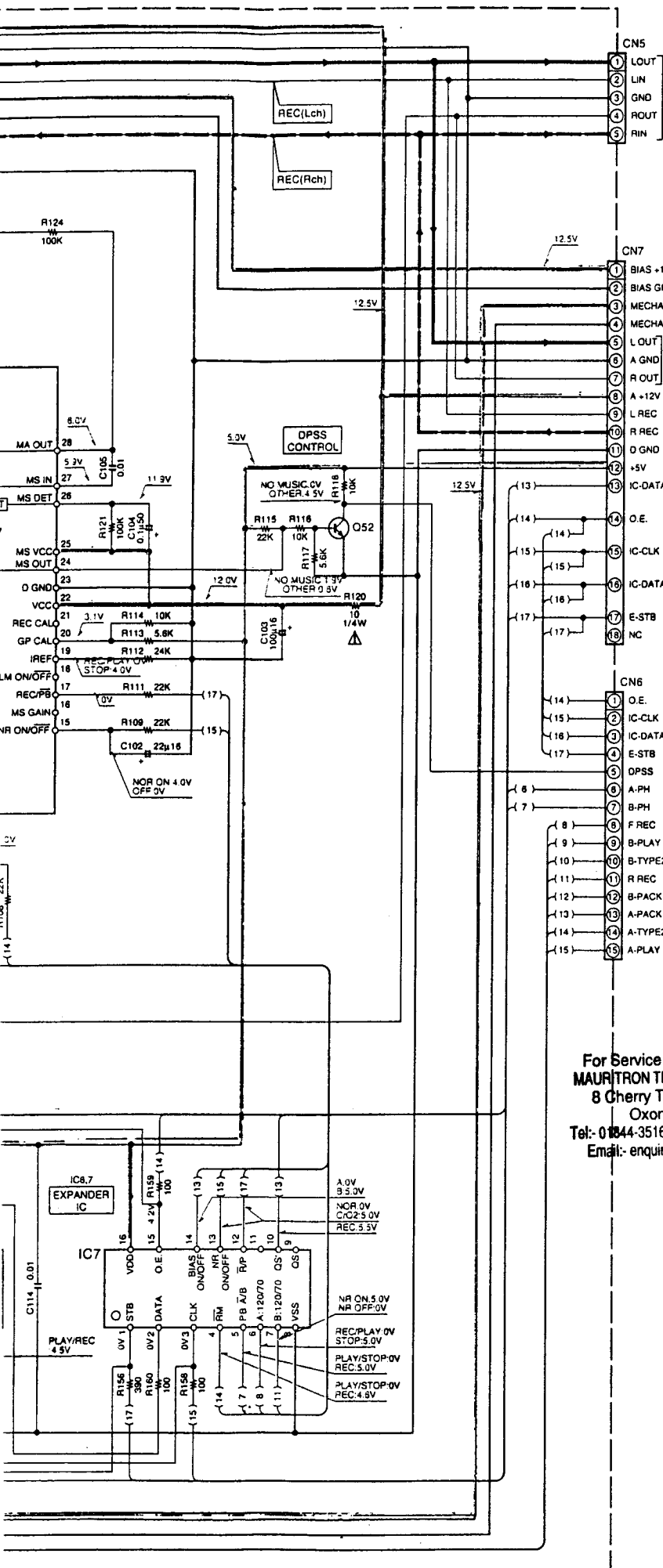


(-)RED  
(-)WHITE

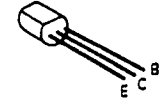




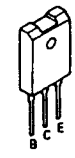




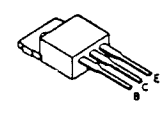
- 2SA1286
- 2SA954
- 2SA992
- 2SC1845
- 2SC2003
- 2SC2878
- 2SC3246
- 2SC3940A
- 2SD863



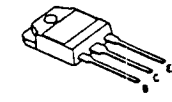
2SD1894



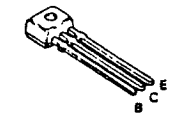
2SB1565



2SB1624  
2SD2493



2SA1175  
2SC2785

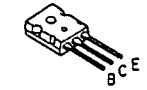


For Service Manuals Contact  
**MAURITRON TECHNICAL SERVICES**  
 8 Cherry Tree Rd, Chinnor  
 Oxon OX9 4QY  
 Tel:- 01844-351694 Fax:- 01844-352554  
 Email:- enquiries@mauritron.co.uk

DTC124EU  
2SA1576  
2SB1218A2  
SC2714  
2SC4081  
2SD1819A



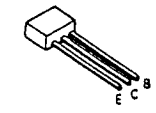
2SC4137F50



2SB1370



UN4212

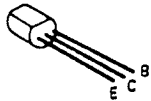


**CAUTION:** For continued safety, replace safety critical components only with manufacturer's recommended parts (refer to parts list).  $\Delta$  indicates safety critical components. For continued protection against risk of fire, replace only with same type and rating fuse(s). To reduce the risk of electric shock, leakage-current or resistance measurements shall be carried out (exposed parts are acceptably insulated from the supply circuit) before the appliance is returned to the customer.

The DC voltage is an actual reading measured with a high impedance type voltmeter with a cassette loaded at playback mode. The measurement value may vary depending on the measuring instruments used or on the product. Bias circuit DC voltage is measured while in the record mode.

DOLBY and the double-D symbol are trademarks of Dolby Laboratories Licensing Corporation. Noise reduction circuit made under license from Dolby Laboratories Licensing Corporation.

2SA1286  
2SA954  
2SA992  
2SC1845  
2SC2003



2SC2878  
2SC3246  
2SC3940A  
2SD863

2SB1375



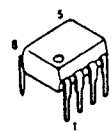
2SD1893



2SB1559  
2SD2389



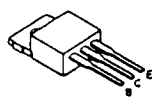
NJM2100D  
NJM4565D



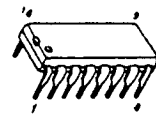
2SD1894



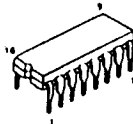
2SB1565



XRU4052BC



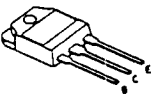
TC74HC166AP



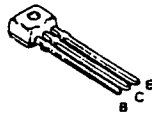
TA8125S  
TA8409S



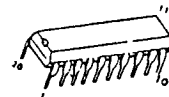
2SB1624  
2SD2493



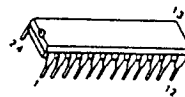
2SA1175  
2SC2785



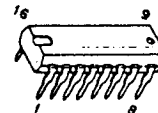
TDA7309



BA1450S



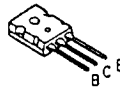
BU4094BC  
SAA6579



DTC124EU  
2SA1576  
2SB1218A2  
2SC2714  
2SC4081  
2SD1819A



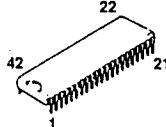
2SC4137F50



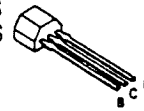
BA10393  
M5223P



LA2785L  
TDA7431



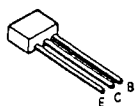
DTA124ES  
DTC124ES  
UN4112  
2SA933S  
2SC1740S



2SB1370



UN4212



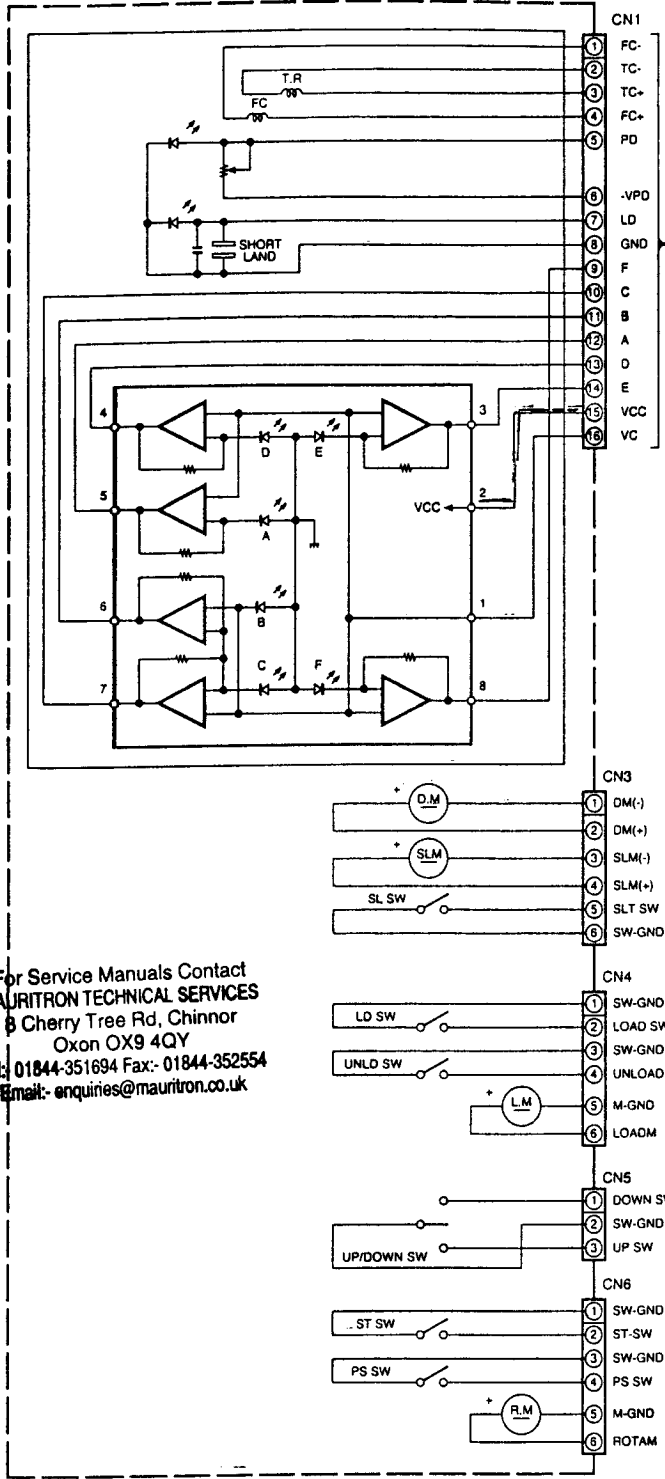
For Service Manuals Contact  
**MAURITRON TECHNICAL SERVICES**  
8 Cherry Tree Rd, Chinnor  
Oxon OX9 4QY  
Tel: 01844-351694 Fax: 01844-352554  
Email: enquiries@mauritron.co.uk

Y39-2300-00

**RXD-G3/G4/G5/G31/G51**

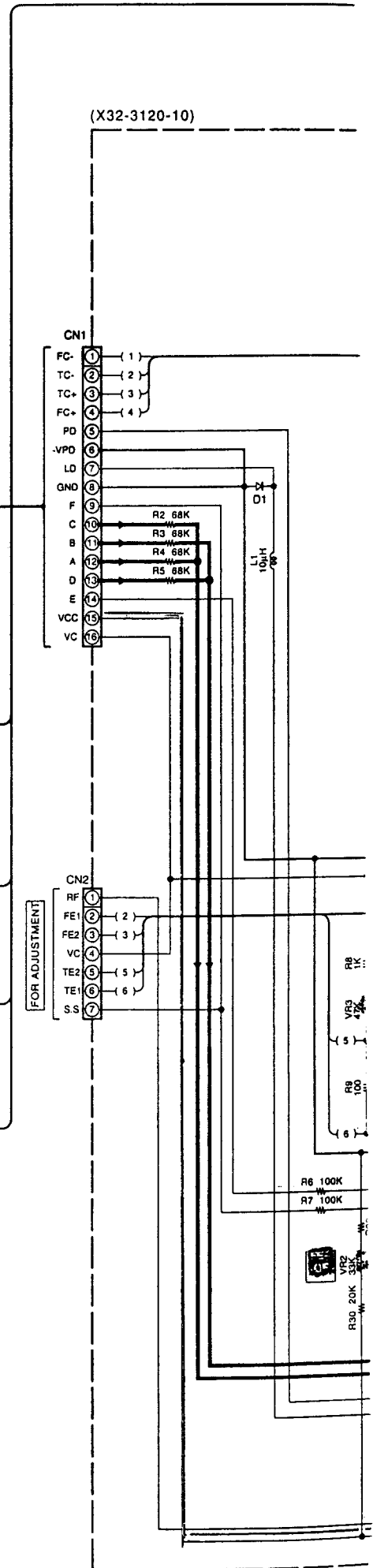
**KENWOOD**

CD CHANGER MECHA.  
(D40-1455-X5)



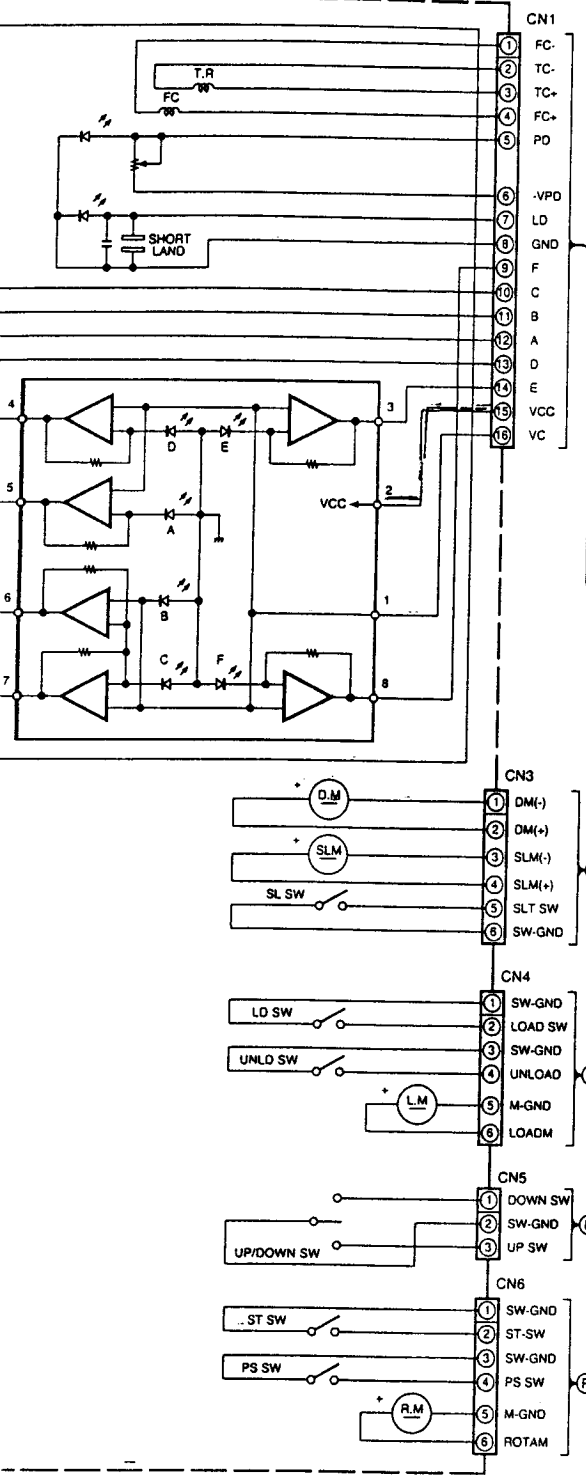
For Service Manuals Contact  
**MAURITRON TECHNICAL SERVICES**  
 8 Cherry Tree Rd, Chinnor  
 Oxon OX9 4QY  
 Tel: 01844-351694 Fax: 01844-352554  
 Email: enquiries@maurtron.co.uk

- |                   |                                      |
|-------------------|--------------------------------------|
| IC1 : CXA1782BQ*1 | D1-6 : 1SS133 or HSS104              |
| IC2 : CXD2508AQ*1 | D7 : UZ-3.3BSB or MTZ3.3(B)          |
| IC3 : LA6537      |                                      |
| IC4,5 : TA8409S   | Q1,5 : 2SC2785(F,E) or 2SC1740S(Q,R) |
| IC6 : BU4094BC    | Q2,4 : 2SA954(L,K)                   |
| IC7 : NJM2100D    | Q3 : DTA124ES or UN4112              |
| IC8 : M5237L      | Q6 : 2SA1286                         |
| IC9 : TC74HC166AP | Q7,13 : DTC124ES or UN4212           |
|                   | Q8 : 2SB1565(E,F) or 2SB1375         |
|                   | Q9,10 : 2SA1175(F,E) or 2SA933S(Q,R) |
|                   | Q11,12 : 2SC2878(B)                  |



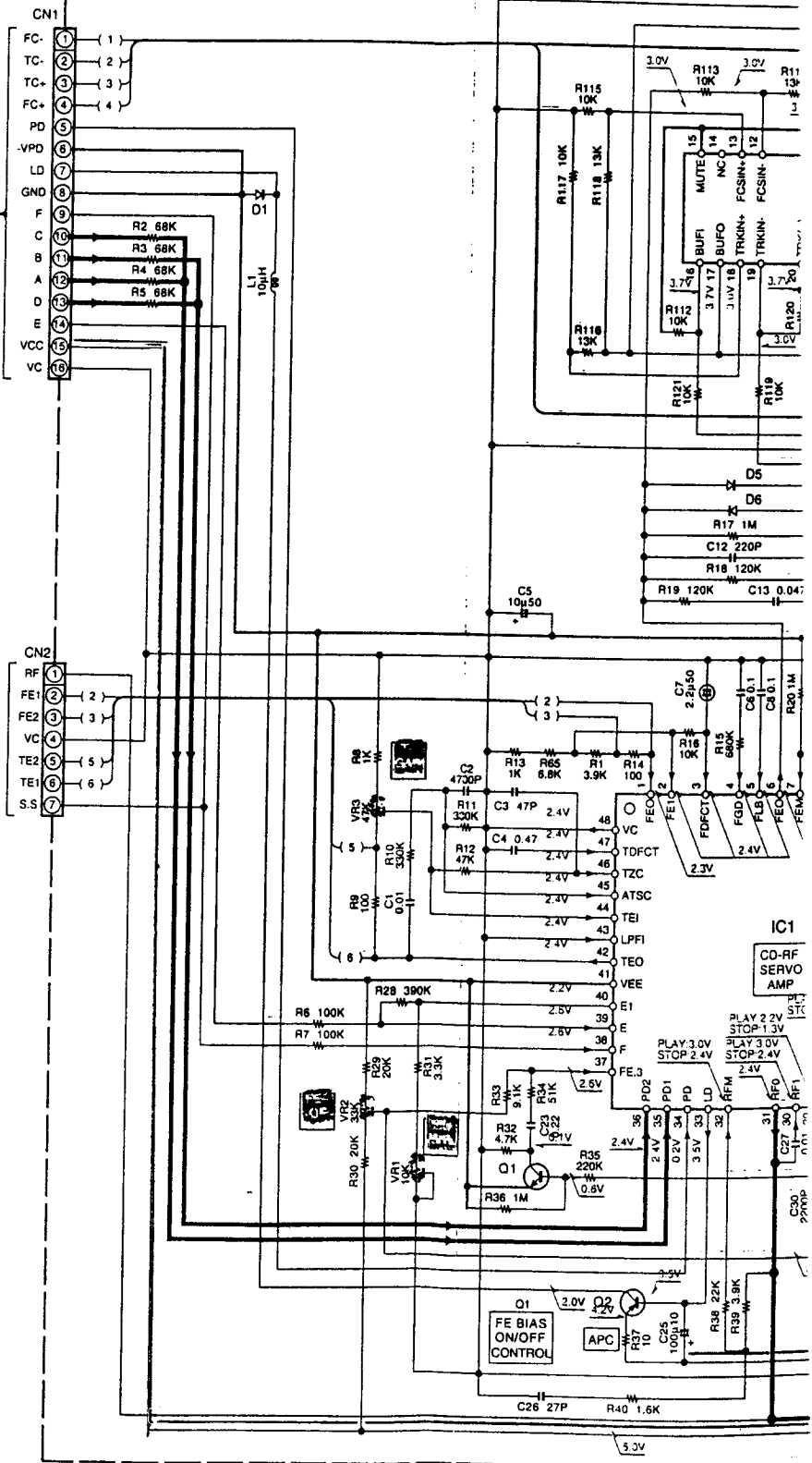
1  
2  
3  
4  
5  
6  
7

INGER MECHA.  
(5-5)



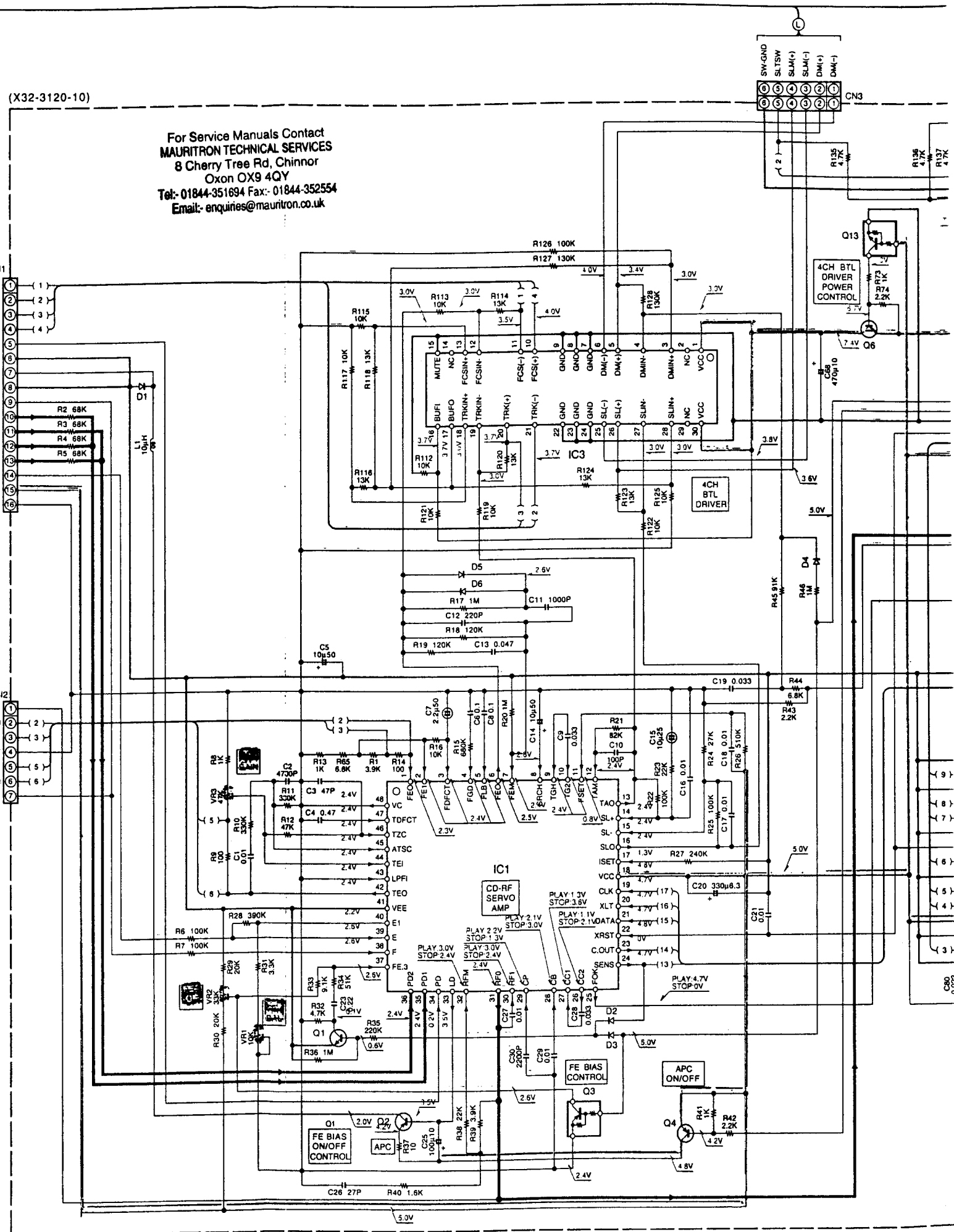
82B0X-1	D1-6	: 1S5133 or HSS104
08A0X-1	D7	: UZ-3.38SB or MTZ3.3(B)
YS	Q1,5	: 2SC2785(F,E) or 2SC1740S(Q,R)
18C	Q2,4	: 2SA954(L,K)
30D	Q3	: DTA124ES or UN4112
C166AP	Q6	: 2SA1286
	Q7,13	: DTC124ES or UN4212
	Q8	: 2SB1565(E,F) or 2SB1375
	Q9,10	: 2SA1175(F,E) or 2SA933S(Q,R)
	Q11,12	: 2SC2878(B)

(X32-3120-10)

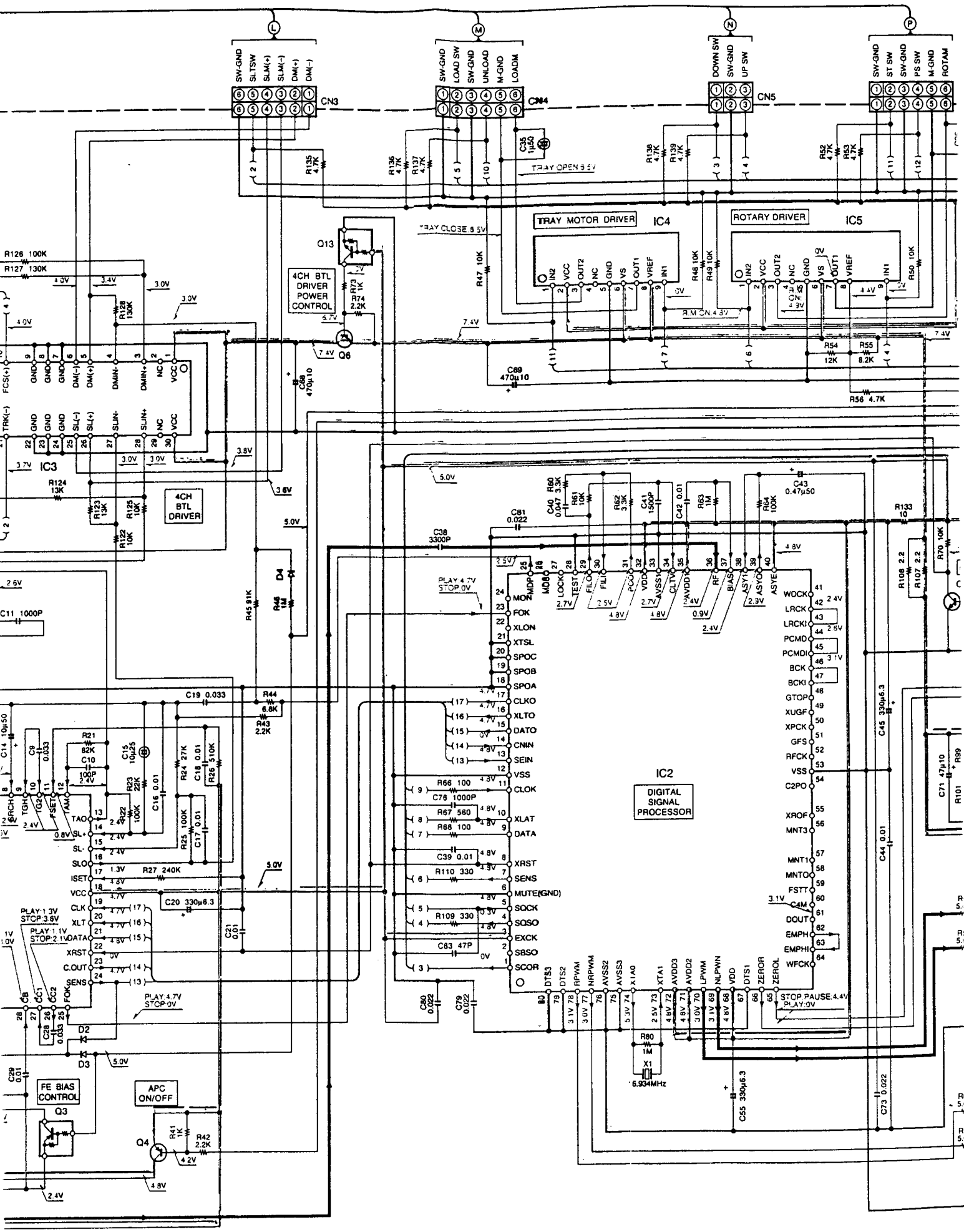


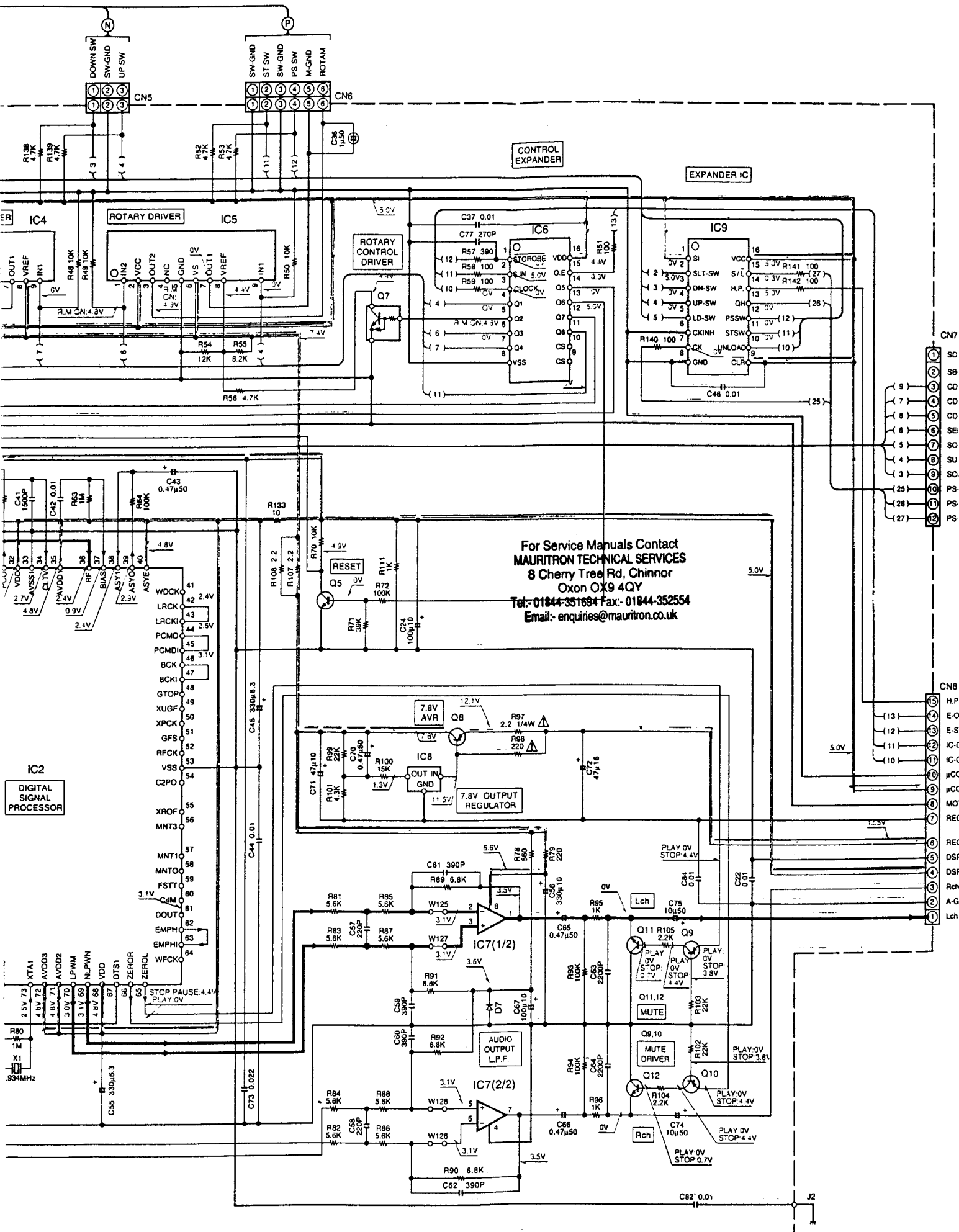
For Service Manuals Contact  
**MAURITRON TECHNICAL SERVICES**  
 8 Cherry Tree Rd, Chinnor  
 Oxon OX9 4QY  
 Tel: 01844-351694 Fax: 01844-352554  
 Email: enquiries@mauritron.co.uk

(X32-3120-10)



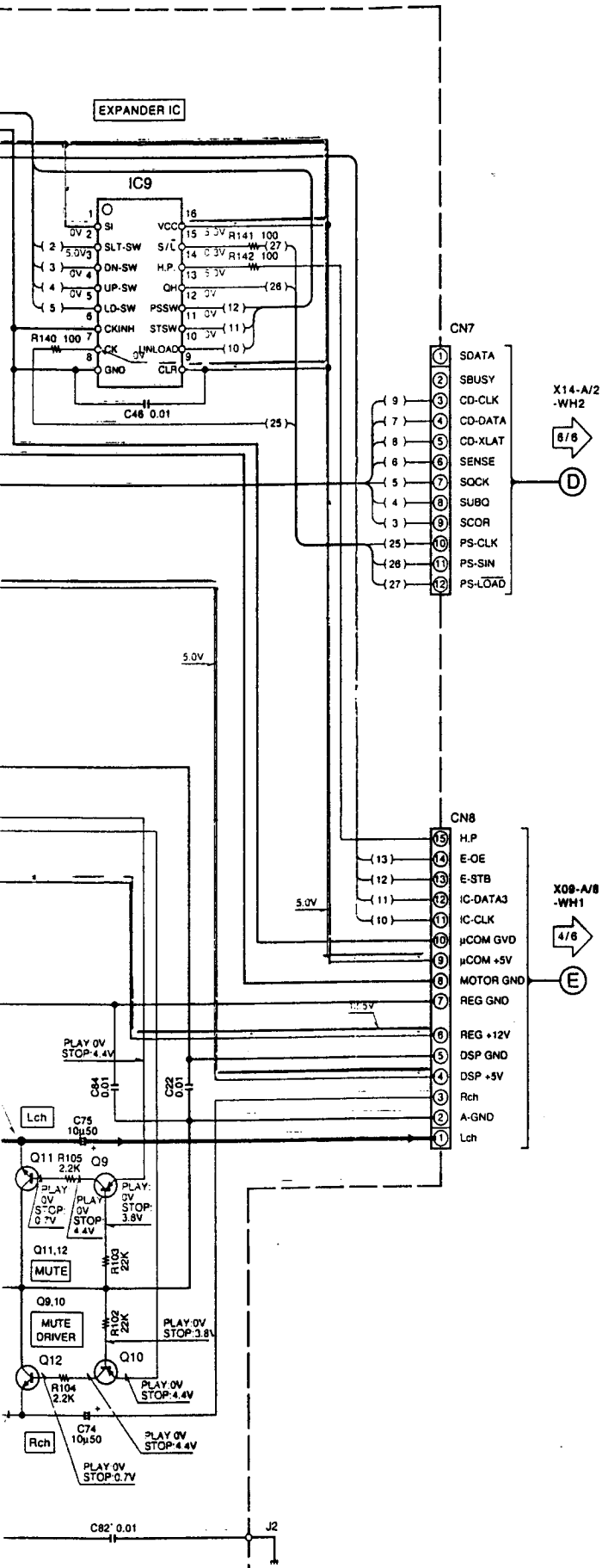




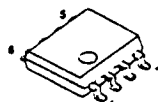


**CAUTION:** For continued safety, replace safety critical components only with manufacturer's recommended parts (refer to parts list).  $\Delta$  indicates safety critical components. For continued protection against risk of fire, replace only with same type and rating fuse(s). To reduce the risk of electric shock, leakage-current (resistance measurements shall be carried out (exposed parts are acceptably insulated from the supply circuit) before the appliance is returned to the customer.

The DC voltage is an actual reading measured with a high impedance type voltmeter. The measurement value may vary depending on the measuring instruments used or on the product. Refer to the voltage during PLAY unless otherwise specified; The value shown in ( ) is the voltage measured at the moment of STOP.



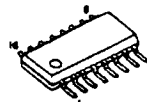
NJM4565MD



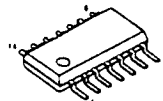
UN5212



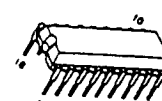
BU4094BCF



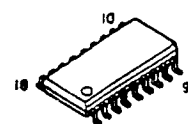
BU4066BCF



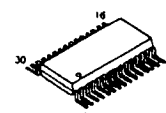
UPC1297CA



BA3835F



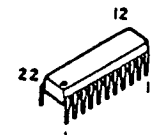
NJU7313AM



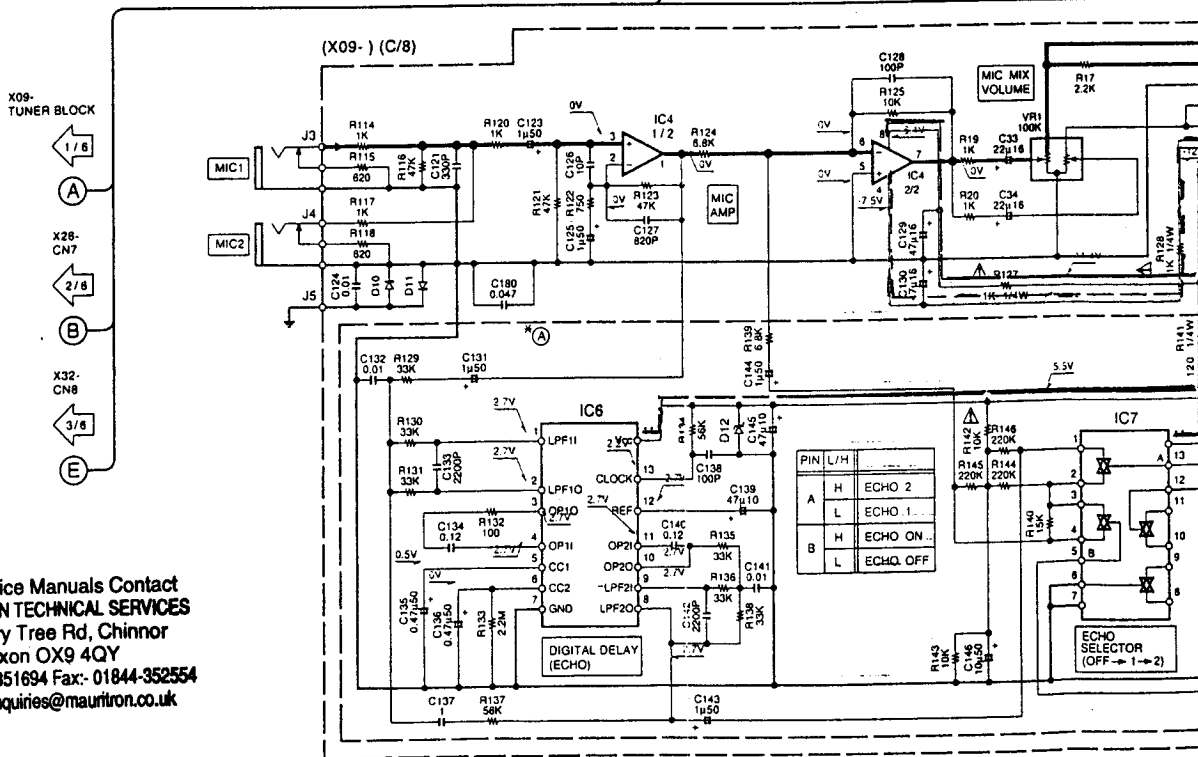
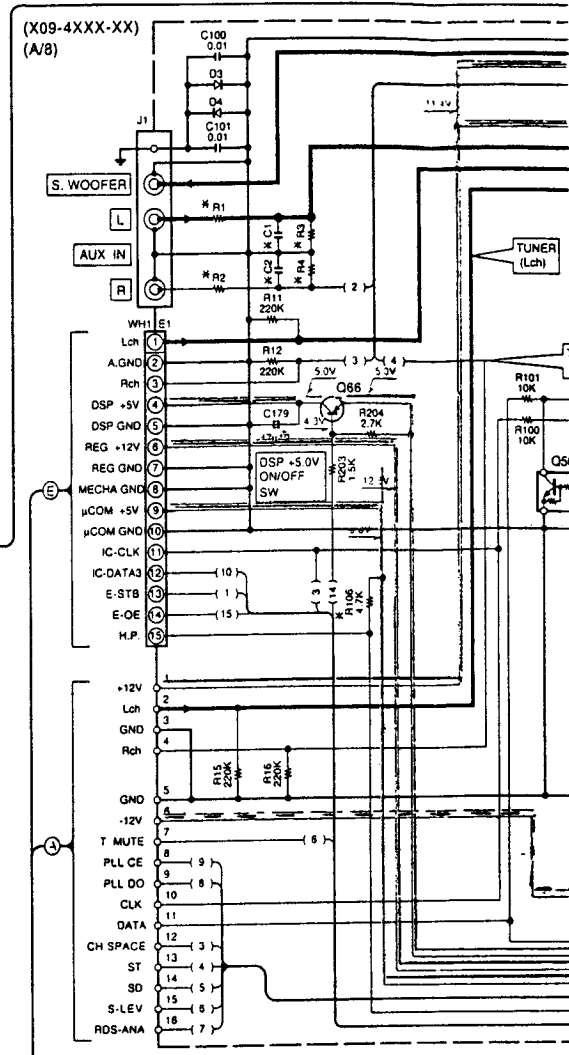
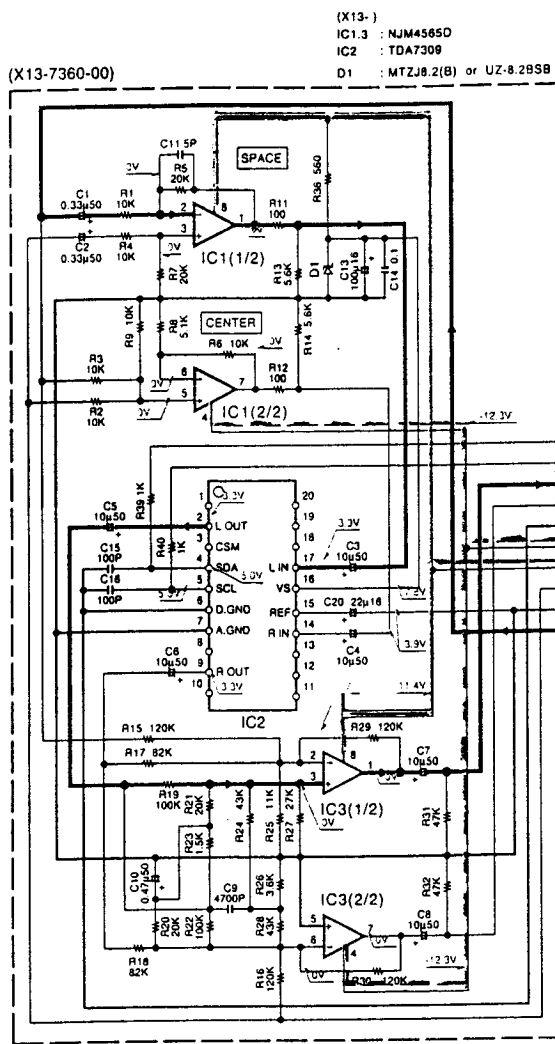
TDA2050V



LC72131



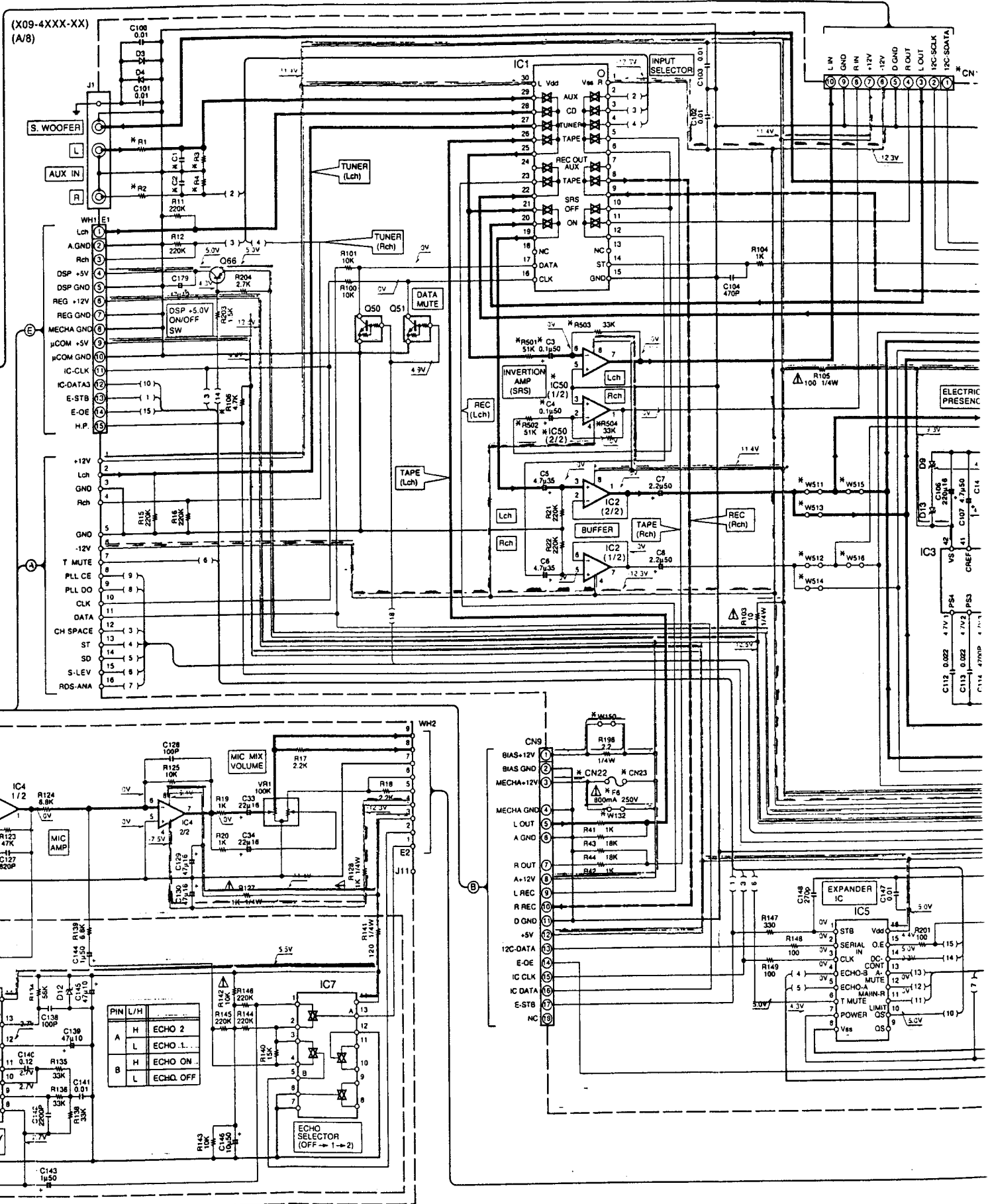
For Service Manuals Contact  
**MAURITRON TECHNICAL SERVICES**  
 8 Cherry Tree Rd, Chinnor  
 Oxon OX9 4QY  
 Tel: 01844-351694 Fax: 01844-352554  
 Email: enquiries@mauritron.co.uk



For Service Manuals Contact  
**MAURITRON TECHNICAL SERVICES**  
 8 Cherry Tree Rd, Chinnor  
 Oxon OX9 4QY  
 Tel: 01844-351694 Fax: 01844-352554  
 Email: enquires@mauritron.co.uk

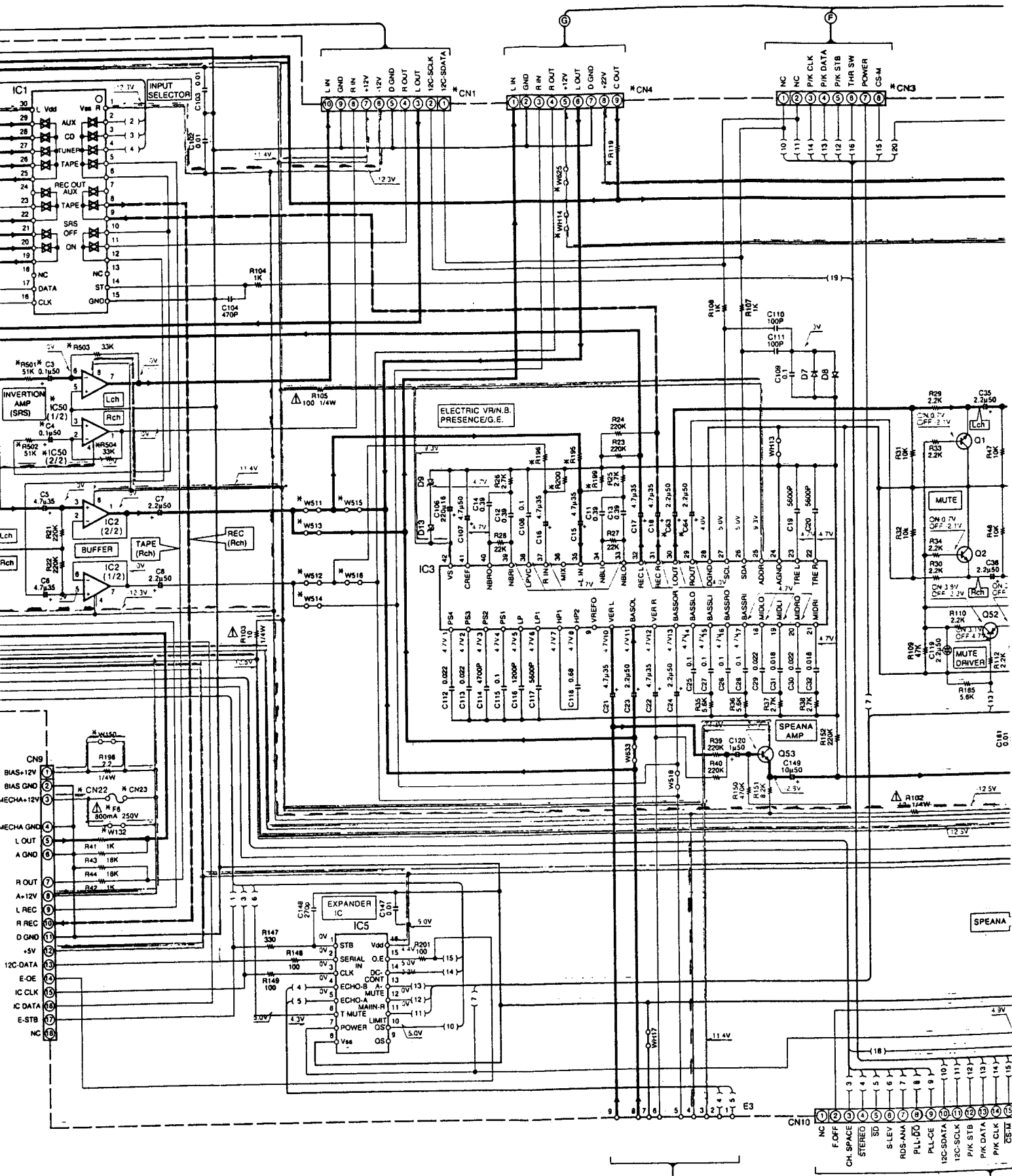
**CAUTION:** For continued safety, replace safety critical components only with manufacturer's recommended parts (refer to parts list).  $\Delta$  indicates safety critical components. For continued protection against risk of fire, replace only with same type and rating fuse(s). To reduce the risk of electric shock, leakage-current or resistance measurements shall be carried out (exposed parts are acceptably insulated from the supply circuit) before the appliance is returned to the customer.

The DC voltage is an actual reading measured by voltmeter as the AM/FM signal generator is specified the list below. The measurement value may vary by instruments used or on the product. The value should be measured in the AM mode.



The DC voltage is an actual reading measured with a high impedance type voltmeter as the AM/FM signal generator is specified to the conditions as shown in the list below. The measurement value may vary depending on the measuring instruments used or on the product. The value shown in ( ) is actual reading measured in the AM mode.

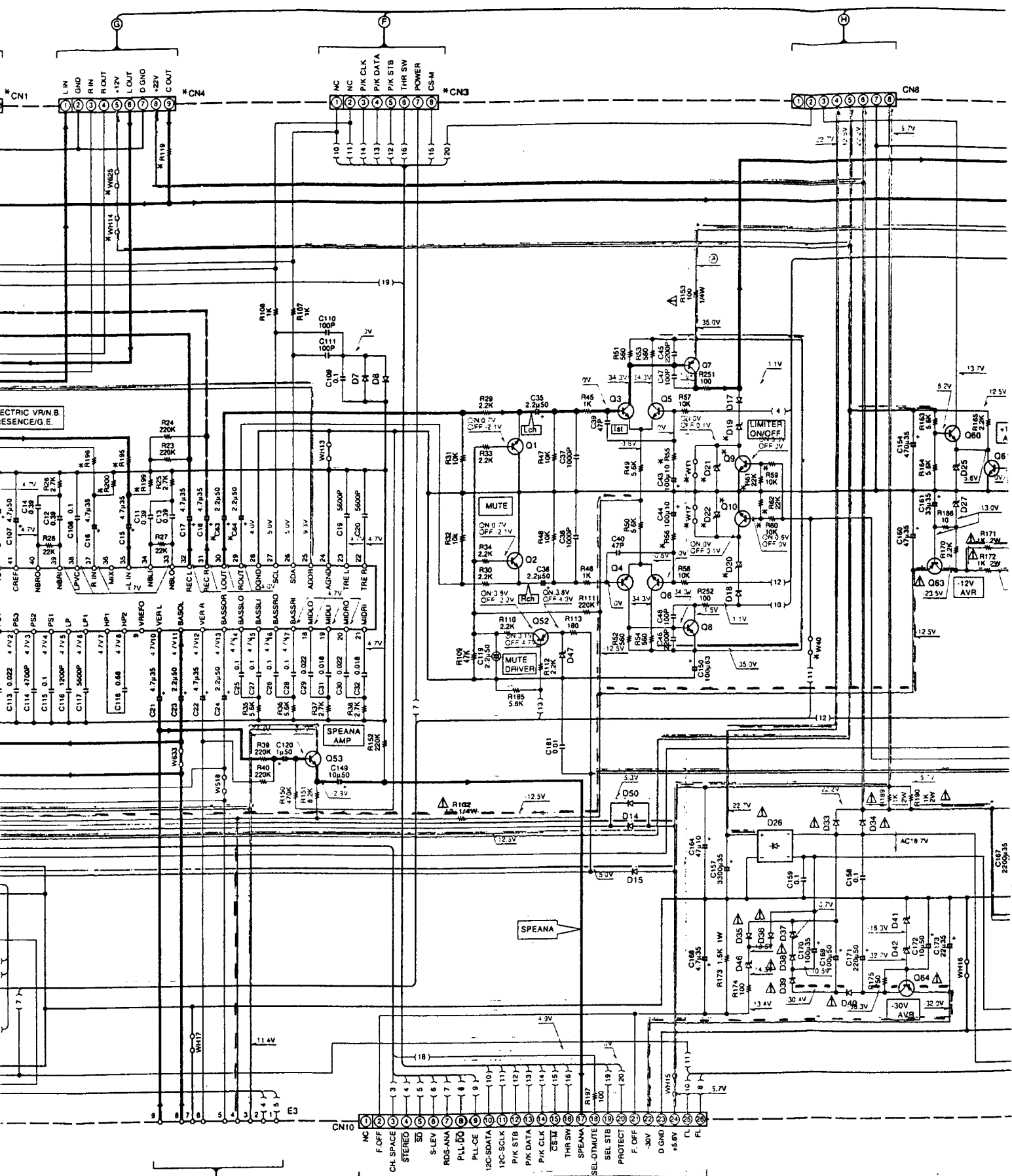
MODE	CARRIER	MODULATION	
		FREQUENCY	DEVIATION
FM	98MHz	1kHz	STEREO 67.5kHz 7.5
AM	1000(999)kHz	400Hz	MONO 30% MOD



ance type  
s shown in  
measuring  
al reading

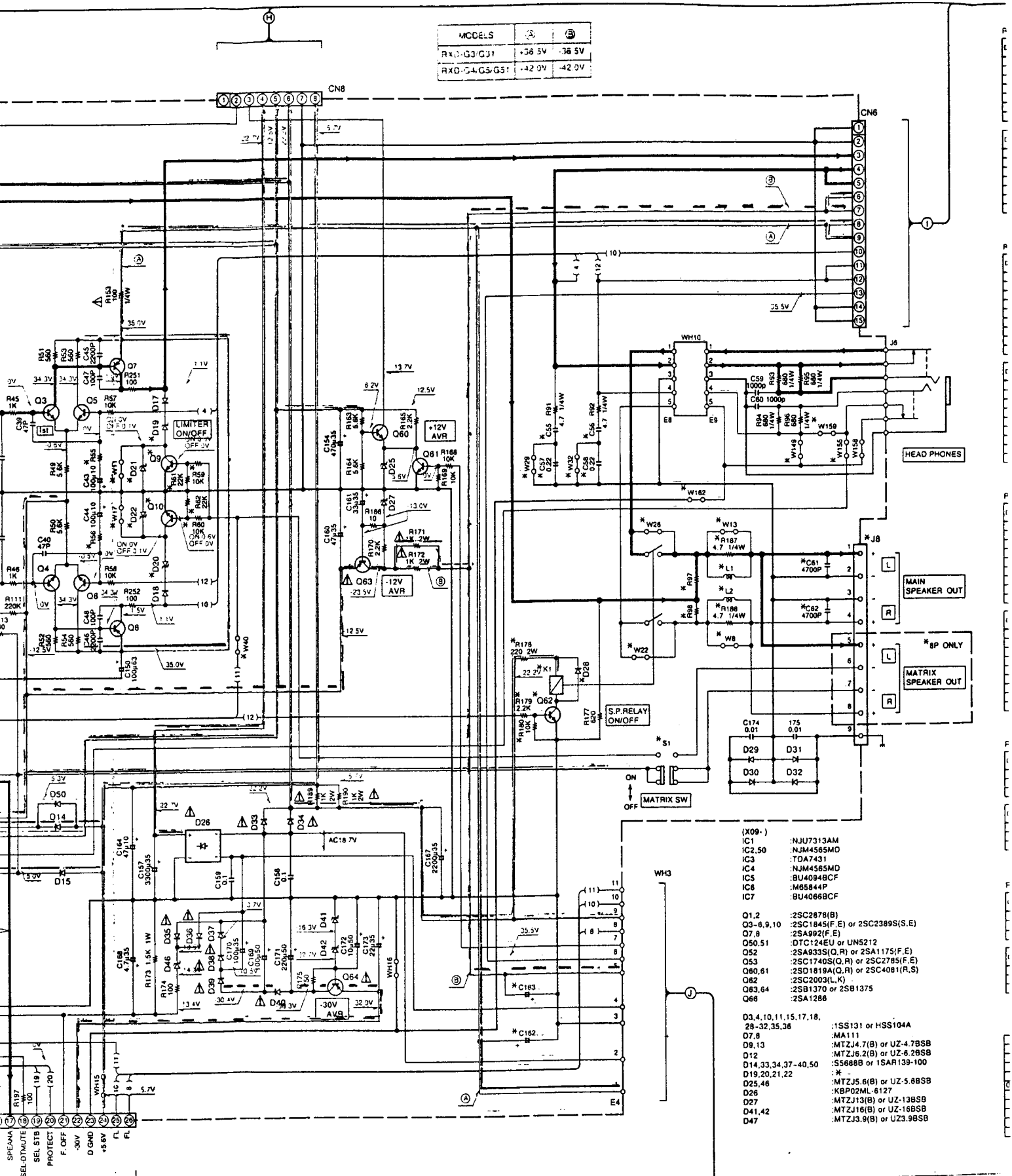
MODE	CARRIER	MODULATION		ANT INPUT
		FREQUENCY	DEVIATION	
FM	98MHz	1kHz	STEREO 67.5kHz 7.5kHz(Pilot)	60dB
AM	1000(999)kHz	400Hz	MONO 30% MOD	60dB

For Service Manuals Contact  
**MAURITRON TECHNICAL SERVICES**  
 8 Cherry Tree Rd, Chinnor  
 Oxon OX9 4QY  
 Tel:- 01844-351694 Fax:- 01844-352554  
 Email:- enquiries@mauritron.co.uk



ANT INPUT	
z 7.5kHz(Pilot)	60dB
	60dB

MODELS	(3)	(5)
R1-D-G3-GJ1	+36 5V	-36 5V
R1D-G4-G5-G51	+42 0V	-42 0V



- (X09-)
- IC1 : NJU7313AM
  - IC2,50 : NJM4565MD
  - IC3 : TDA7431
  - IC4 : NJM4565MD
  - IC5 : BU4094BCF
  - IC6 : M65844P
  - IC7 : BU4066BCF
- Q1,2 : 2SC2878(B)
- Q3-6,9,10 : 2SC1845(F,E) or 2SC2389(S,E)
- Q7,8 : 2SA992(F,E)
- Q50,51 : DTC124EU or UN5212
- Q52 : 2SA933(Q,R) or 2SA1175(F,E)
- Q53 : 2SC1740(S,Q,R) or 2SC2785(F,E)
- Q60,61 : 2SD1819(A,Q,R) or 2SC4081(R,S)
- Q62 : 2SC2003(L,K)
- Q63,64 : 2SB1370 or 2SB1375
- Q68 : 2SA1286
- D3,4,10,11,15,17,18, 28-32,35,36 : 1SS131 or HSS104A
- D7,8 : MA111
- D9,13 : MTZJ4.7(B) or UZ-4.785B
- D12 : MTZJ6.2(B) or UZ-6.285B
- D14,33,34,37-40,50 : S5688B or 1SAR139-100
- D19,20,21,22 : \*
- D25,46 : MTZJ5.6(B) or UZ-5.685B
- D26 : KBP02ML 6127
- D27 : MTZJ13(B) or UZ-1385B
- D41,42 : MTZJ16(B) or UZ-1685B
- D47 : MTZJ3.9(B) or UZ.985B

For Service Manuals Contact  
**MAURITRON TECHNICAL SERVICES**  
 8 Cherry Tree Rd, Chinnor  
 Oxon OX9 4QY  
 Tel:- 01844-351694 Fax:- 01844-352554  
 Email:- enquiries@mauritron.co.uk





X09-A/8  
-CN8



X09-A/8  
-CN3



X09-A/8  
-CN4



X09-A/8  
-CN6



RXD-G3 (X09-431X-XX)

DESTINATION	UNIT No.	Q13,14	Q15,16	Q59	F1,2	F3
K	0-11			2SD1894	5A	4A
P				125V		125V
Y	0-21	2SD2493	2SB1624			
M				2SD1893	T4A	T2.5A
X	0-71			L 250V		L 250V
E	2-71					
T	0-51					

RXD-G4 (X09-432X-XX)

DESTINATION	UNIT No.	Q13,14	Q15,16	Q59	F1,2	F3
K	0-11	2SD2389	2SB1559	2SD1894	5A	4A
P				125V		125V
Y	0-21					
M						
I	0-21	2SD2493	2SB1624	2SD1893	T4A	T2.5A
C	3-01				L 250V	L 250V
X	0-71					
E	2-71					
T	0-51					

RXD-G5 (X09-445X-XX)

DESTINATION	UNIT No.	Q13,14	Q15,16	Q59	F1,2	F3
K	0-10	2SD2389	2SB1559	2SD1894	5A	4A
P				125V		125V
Y	0-21					
M						
I	0-21	2SD2493	2SB1624	2SD1893	T4A	T2.5A
C	3-01				L 250V	L 250V
X	0-71					
E	2-71					
T	0-51					

RXD-G31 (X09-431X-XX)

DESTINATION	UNIT No.	Q13,14	Q15,16	Q59	F1,2	F3
M	0-22	2SD2493	2SB1624	2SD1893	T4A	T2.5A
I					L 250V	L 250V
C	3-01					

RXD-G51 (X09-445X-XX)

DESTINATION	UNIT No.	Q13,14	Q15,16	Q59	F1,2	F3
M	0-22	2SD2493	2SB1624	2SD1893	T4A	T2.5A
I					L 250V	L 250V
C	3-02					

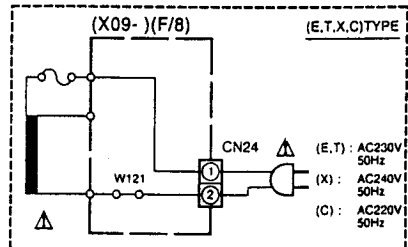
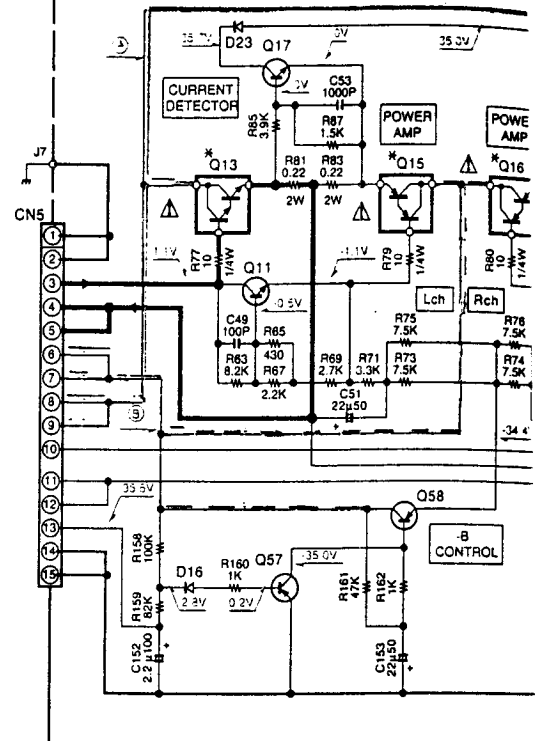
DESTINATION	ABB.
COUNTRY	
U.S.A.	K
CANADA	P
PX	Y
GENERAL MARKET	M
MALAYSIA	I
CHINA	C
AUSTRALIA	X
EUROPE	E
U.K.	T

X09-A/8  
-WH3



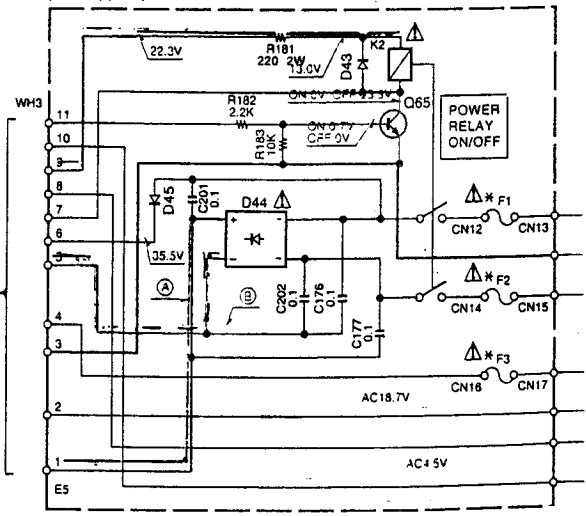
MODELS	Ⓐ	Ⓑ
RXD-G3/G31	+36.5V	-36.5V
RXD-G4/G5/G51	+42.0V	-42.0V

(X09-4XXX-XX)(B/8)



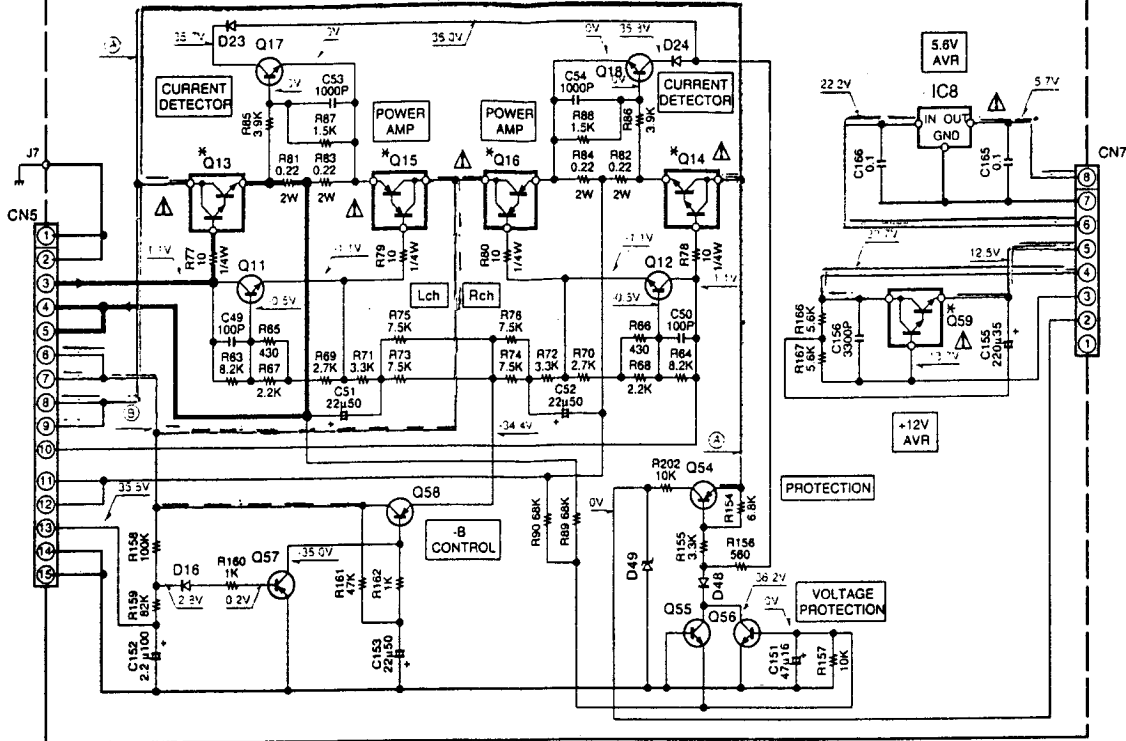
- (X09-)  
IC8 :TA78057S
- Q11,12 :2SC4137F50(V,W)
- Q13,14 :\*
- Q15,18 :\*
- Q17,18,55,56,65 :2SC2003(L,K)
- Q54,57 :2SA933S(Q,R) or 2SA1175(F,E)
- Q58 :2SA945(L,K)
- Q59 :\*
- D16,23,24,43,48 :1SS131 or HSS104A
- D44 :D3BA20F03 or RBV-402LFA
- D45 :S5688B or ISR139-100
- D49 :MTZJ5.1(B) or UZ-5.1B9B

(X09-)(E/8)



For Service Manuals Contact  
**MAURITRON TECHNICAL SERVICES**  
 8 Cherry Tree Rd, Chinnor  
 Oxon OX9 4QY  
 Tel: 01844-351694 Fax: 01844-352554  
 Email: enquiries@mauritron.co.uk

(X09-4XXX-XX)(B/B)



Sch TEST P

Cch TEST P

- S DA
- PRO CL
- PRO DA
- PRO S
- THR S
- POW REL
- CS MU

Q59	F1.2	F3
2SD1894	5A L 125V	4A L 125V
2SD1893	T4A L 250V	T2.5A L 250V

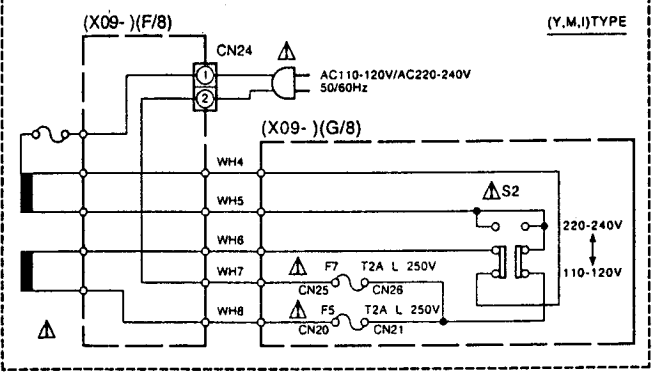
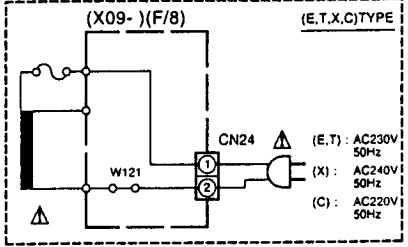
Q59	F1.2	F3
2SD1894	6A L 125V	4A L 125V
2SD1893	T4A L 250V	T2.5A L 250V

Q59	F1.2	F3
2SD1894	6A L 125V	4A L 125V
2SD1893	T4A L 250V	T2.5A L 250V

Q59	F1.2	F3
2SD1893	T4A L 250V	T2.5A L 250V

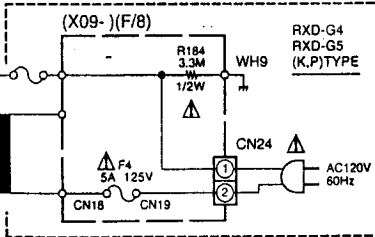
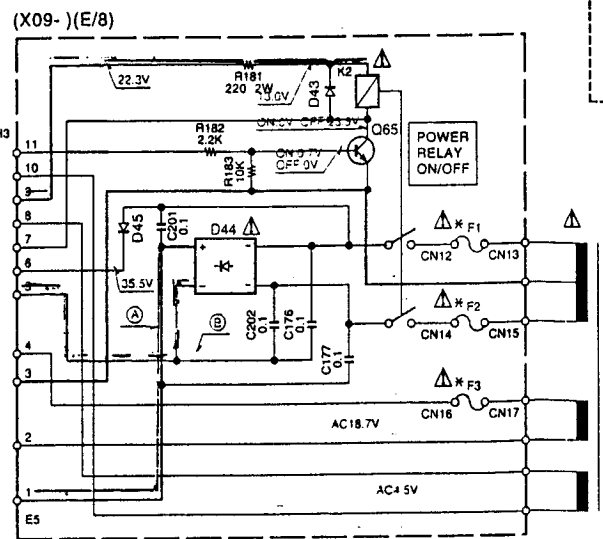
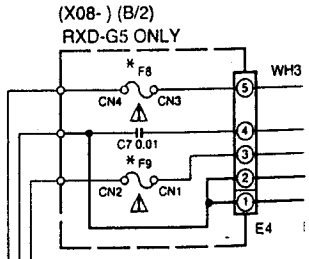
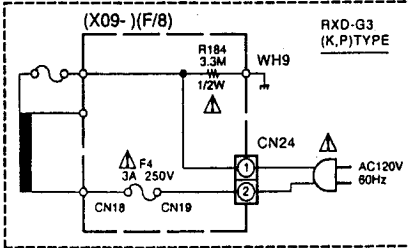
Q59	F1.2	F3
2SD1893	T4A L 250V	T2.5A L 250V

A	B
+36.5V	-36.5V
+42.0V	-42.0V



- (X09-) IC8 :TA78057S
- Q11,12 :2SC4137F50(V,W)
- Q13,14 :\*
- Q15,16 :\*
- Q17,18,55,56,85 :2SC2003(L,K)
- Q54,57 :2SA933S(Q,R) or 2SA1175(F,E)
- Q58 :2SA945(L,K)
- Q59 :\*
- D16,23,24,43,48 :1SS131 or HSS104A
- D44 :D3BA20F03 or RBV-402LFA
- D45 :S5688B or ISR139-100
- D49 :MTZJ5.1(B) or UZ-5.1BSB

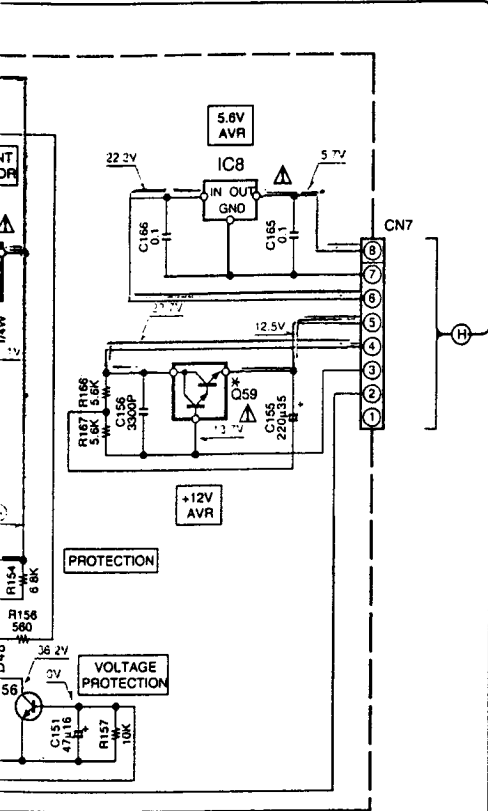
- LI
- A GN
- RI
- ROL
- +12V
- LOL
- D GN
- +22V
- C OU



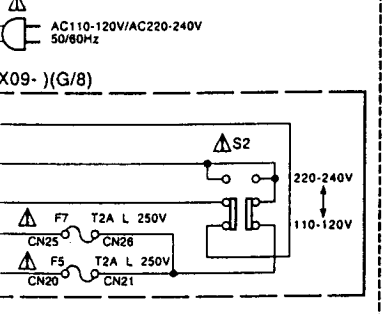
- WH1
- WH2
- WH3
- WH4
- WH5
- WH6
- WH7
- WH8
- WH9

(X08-270X-XX) (A/2) RXD-G5 ONLY

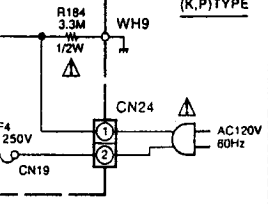
Rch TEST POINT Lch TEST POINT



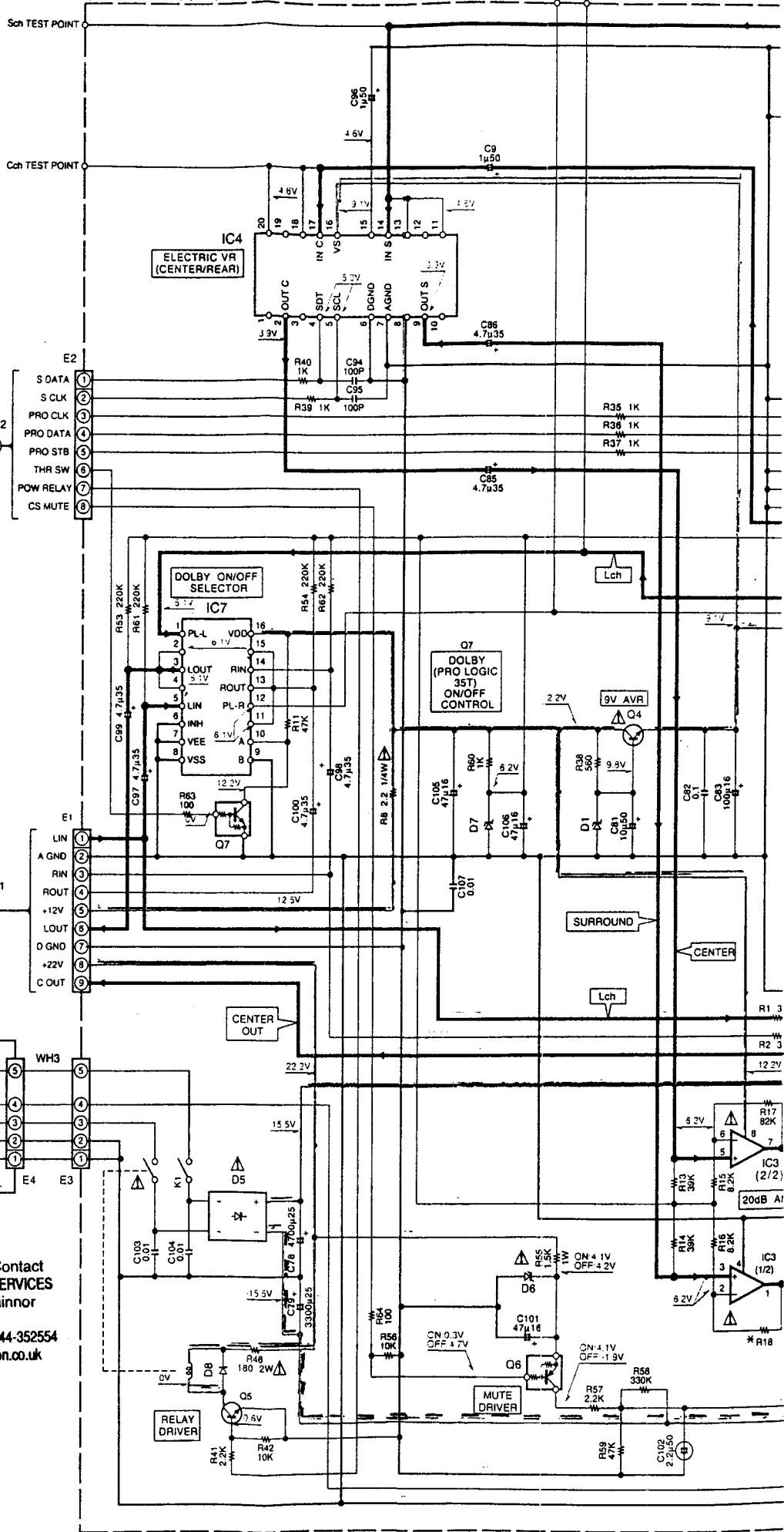
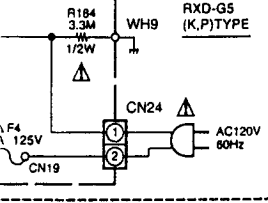
(Y,M,I)TYPE



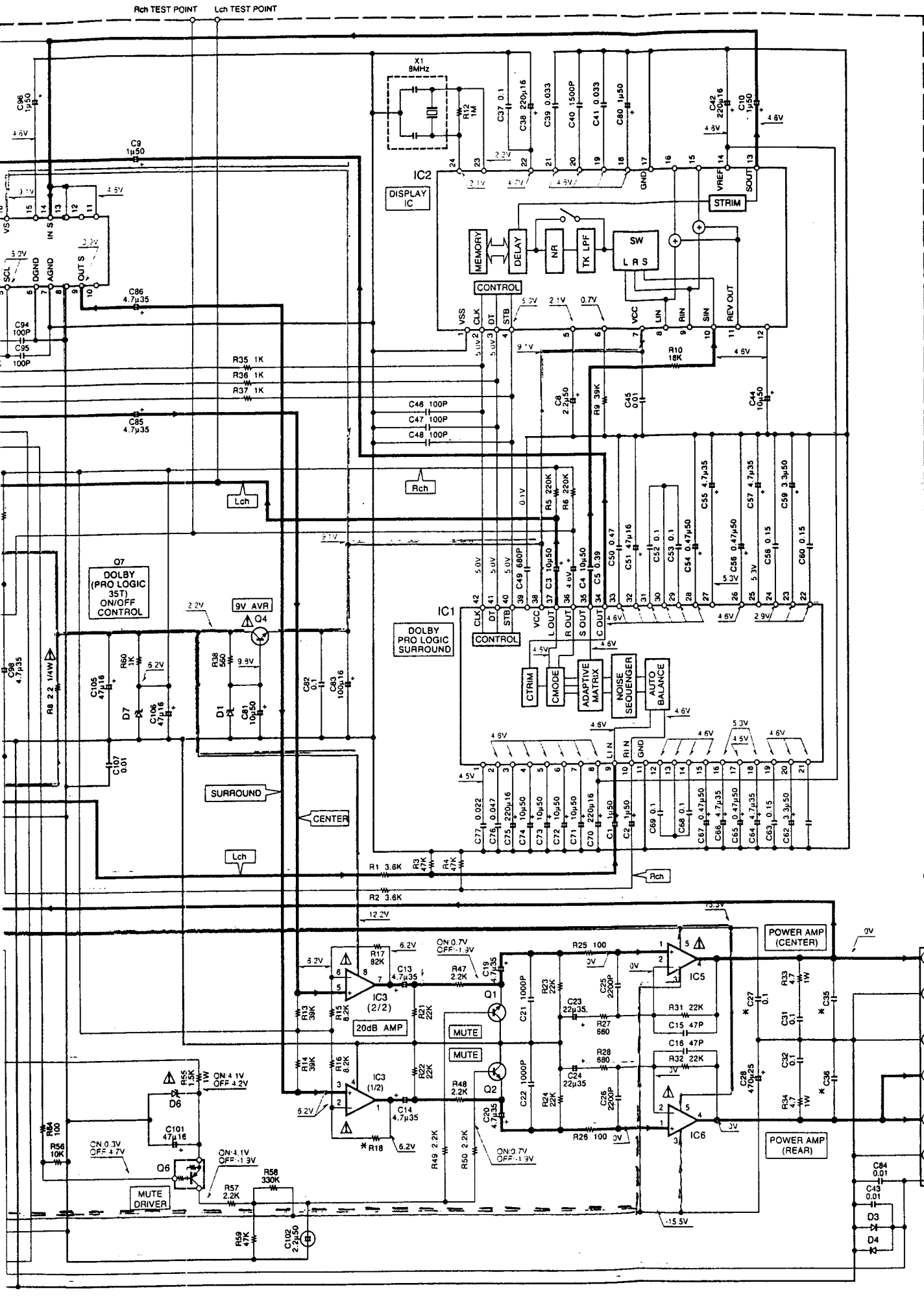
(F/B) RXD-G3 (K,P)TYPE



(F/B) RXD-G4 (K,P)TYPE



For Service Manuals Contact  
**MAURITRON TECHNICAL SERVICES**  
 8 Cherry Tree Rd, Chinnor  
 Oxon OX9 4QY  
 Tel: 01844-351694 Fax: 01844-352554  
 Email: enquiries@mauritron.co.uk



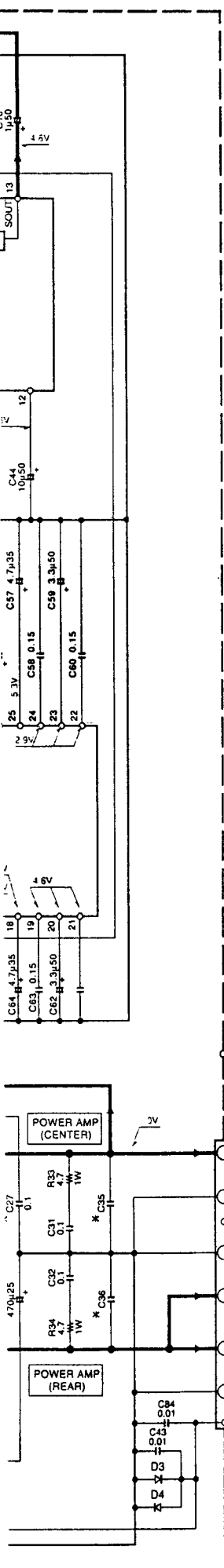
- (X08-2702-70)
- IC1 : LA2T
- IC2 : LV1C
- IC3 : NUM
- IC4 : TDA
- IC5.6 : TDA
- IC7 : XRU

- Q1.2 : 2SC
- Q4 : 2SC
- Q5 : 2SC
- Q6 : DTA
- Q7 : DTC

- D1 : MTZ
- Q3.4.8 : 1SS1
- Q5 : 83SE
- Q6 : MTZ
- Q7 : MTZ

RXD-G5(X08-)

DESTINATION
COUNTRY
USA
CANADA
PX
GENERAL MARK
MALAYSIA
CHINA
AUSTRALIA
U.K.
EUROPE



- (X08-2702-70) (A/2)
- IC1 : LA2785L
- IC2 : LV1011L
- IC3 : NJM4565L-D
- IC4 : TDA7309
- IC5,6 : TDA2050V
- IC7 : XRU4052BC

- Q1,2 : 2SC2878(B)
- Q4 : 2SC3940A(R,S) or 2SD863(E,F)
- Q5 : 2SC2003(L,K)
- Q6 : DTA113ZS or UN4119
- Q7 : DTC124ES or UN4212

- D1 : MTZJ10(B) or UZ-108SB
- D3,4,8 : 1SS131 or HSS104A
- D5 : B3SBA20F03 or RBV-402LFA
- D6 : MTZJ3.9(B) or UZ-3.98SB
- D7 : MTZ6.2(B) or UZ-6.2BSB

RXD-G5(X08-)

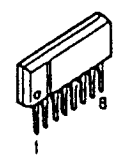
DESTINATION	COUNTRY	ABB	UNIT No.	C27	C35, 36	R18	F8,9
U.S.A.	K		X08-2700-11	NO	4700P	75K	4A 125V
CANADA	P						
PX	Y						
GENERAL MARKET	M						
MALAYSIA	I						
CHINA	C		X08-2702-70	YES	8200P	68K	T4A L 250V
AUSTRALIA	X						
U.K.	F						
EUROPE	E						

**CAUTION:** For continued safety, replace safety critical components only with manufacturer's recommended parts (refer to parts list).  $\Delta$  indicates safety critical components. For continued protection against risk of fire, replace only with same type and rating fuse(s). To reduce the risk of electric shock, leakage-current or resistance measurements shall be carried out (exposed parts are acceptably insulated from the supply circuit) before the appliance is returned to the customer.

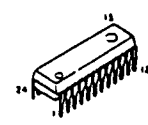
The DC voltage is an actual reading measured with a high impedance type voltmeter with a cassette loaded at playback mode. The measurement value may vary depending on the measuring instruments used or on the product. Bias circuit DC voltage is measured while in the record mode.

DOLBY and the double-D symbol are trademarks of Dolby Laboratories Licensing Corporation. Noise reduction circuit made under license from Dolby Laboratories Licensing Corporation.

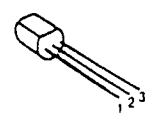
NJM4565L-D



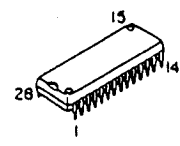
LV1011L



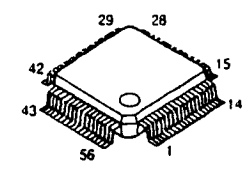
M5237L



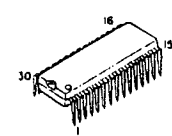
NJU3718L



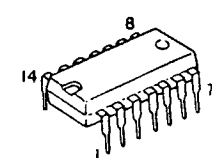
HA12182F



LA6537



M65844P



For Service Manuals Contact  
**MAURITRON TECHNICAL SERVICES**  
 8 Cherry Tree Rd, Chinnor  
 Oxon OX9 4QY  
 Tel:- 01844-351694 Fax:- 01844-352554  
 Email:- enquiries@mauritron.co.uk

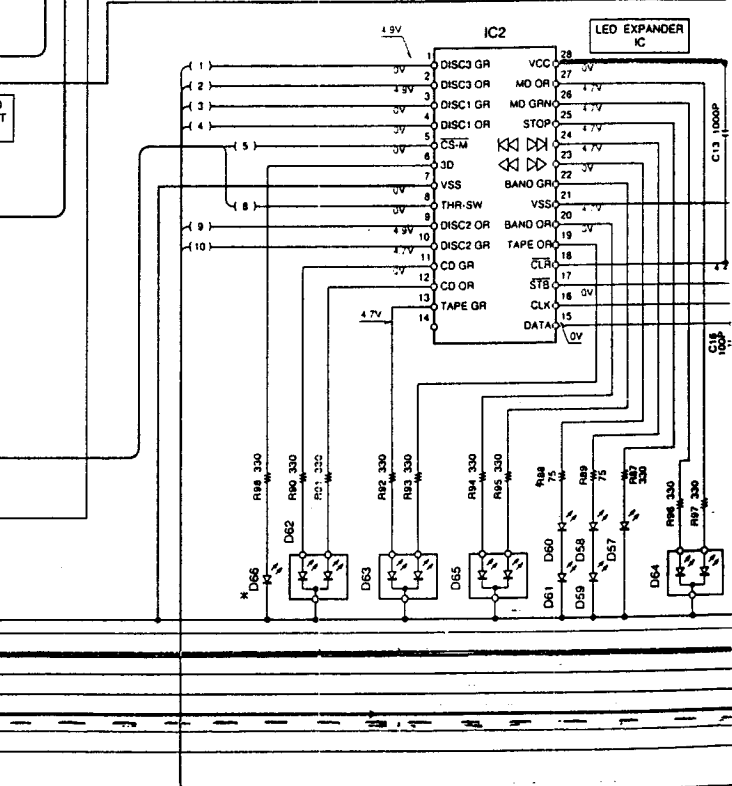
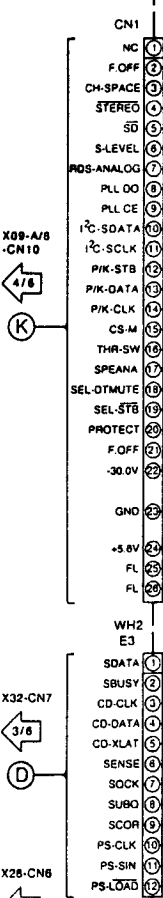
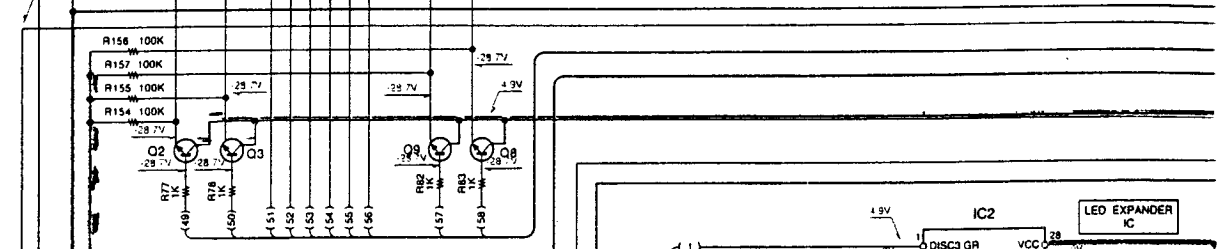
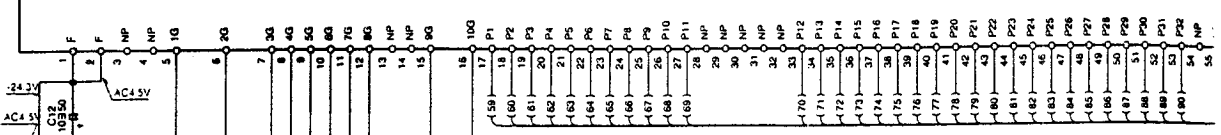
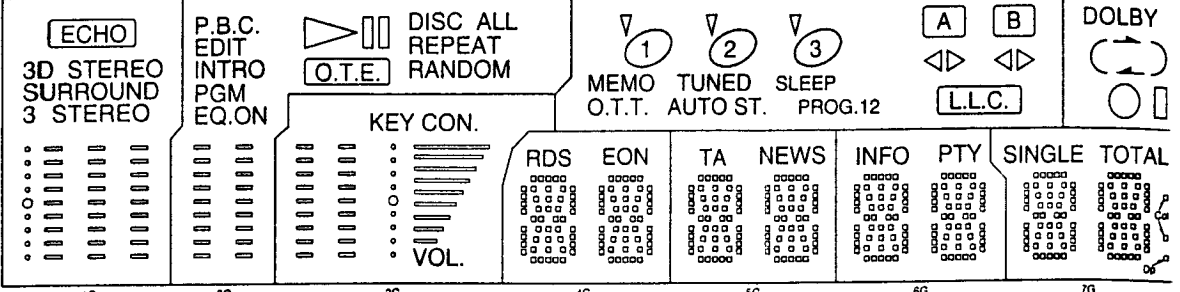
**RXD-G3/G4/G5/G31/G51**

**KENWOOD**

(X14-41XX-XX)(A/2)

\*ED1

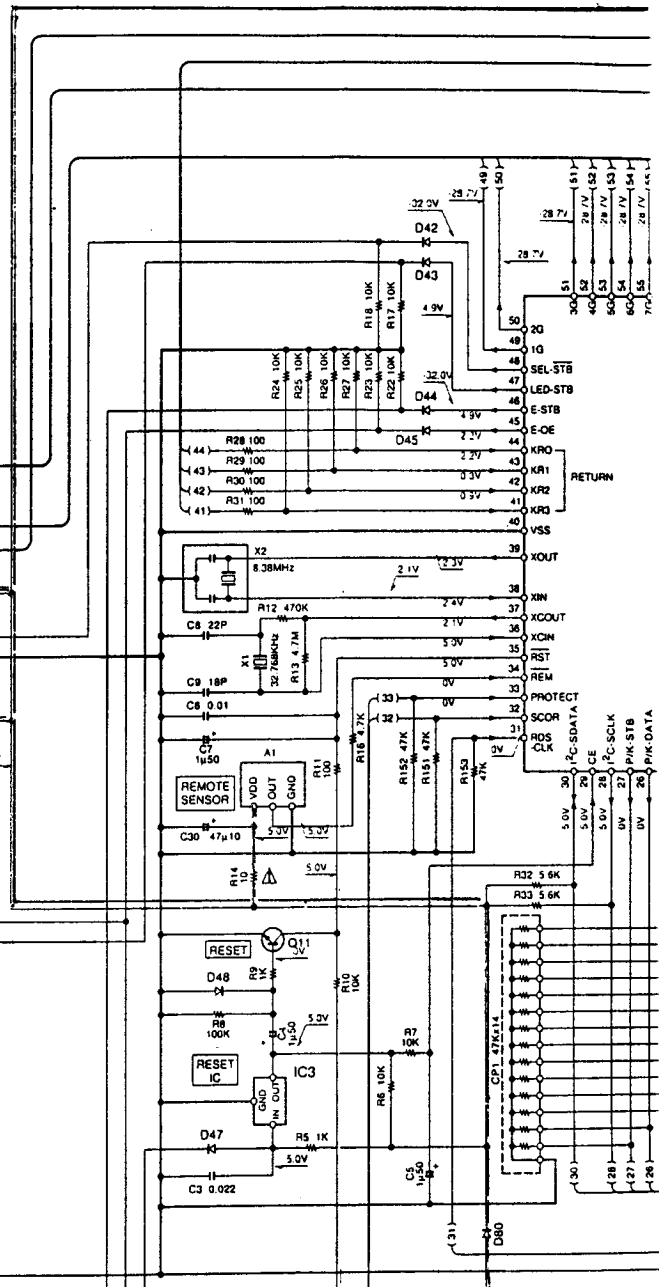
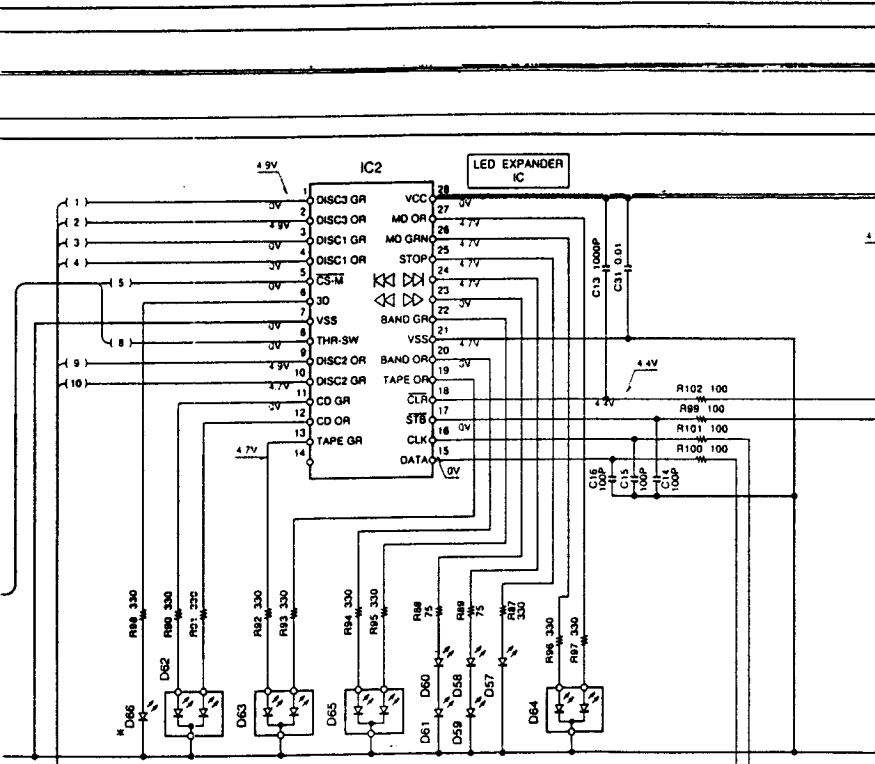
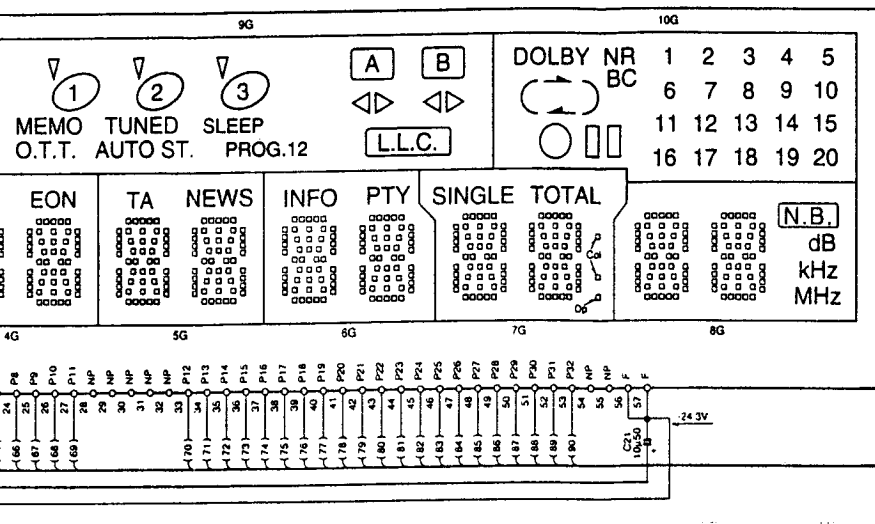
9G



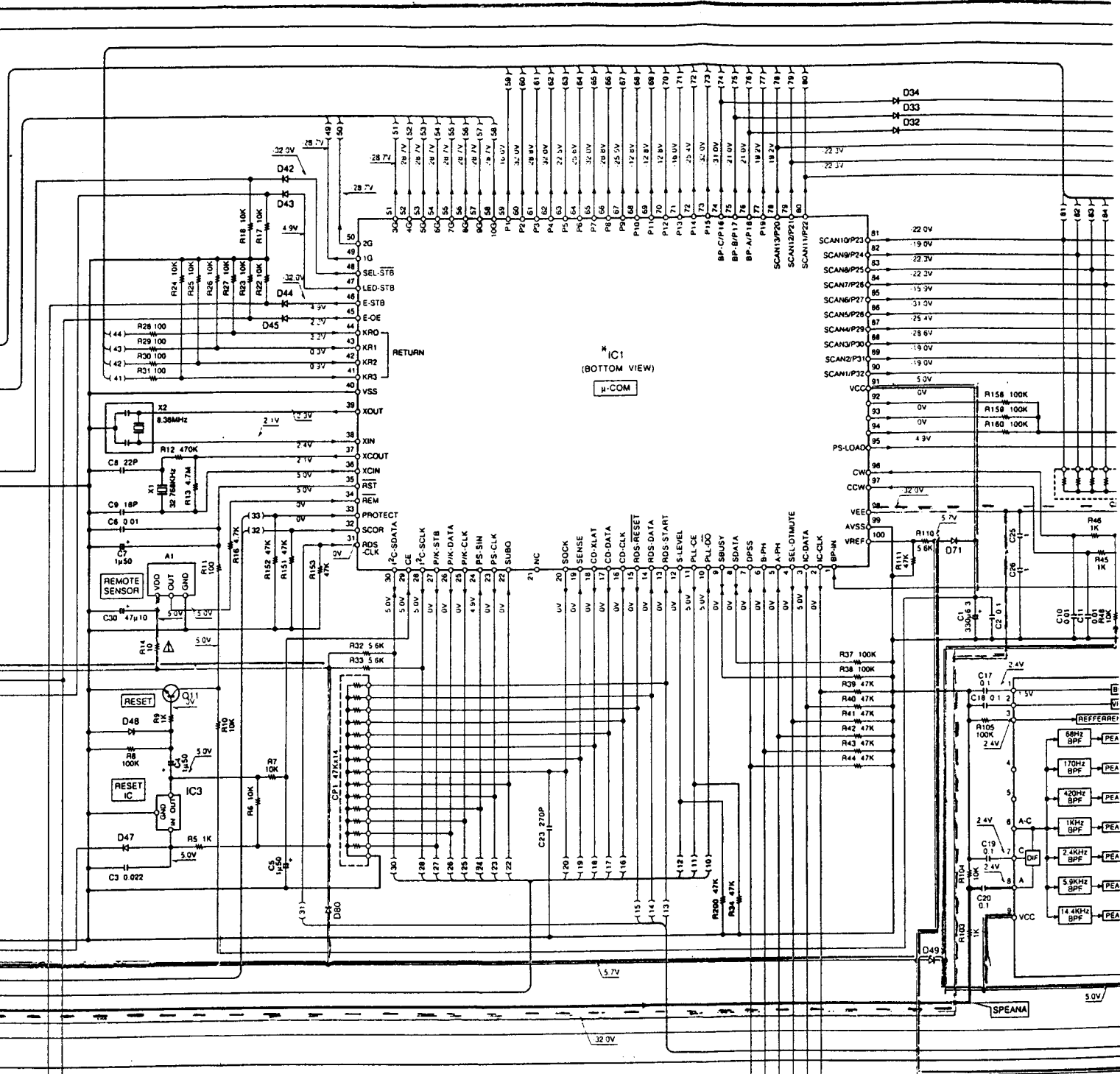
For Service Manuals Contact  
**MAURITRON TECHNICAL SERVICES**  
 8 Cherry Tree Rd, Chinnor  
 Oxon OX9 4QY  
 Tel: 01844-351694 Fax: 01844-352554  
 Email: enquiries@mauritron.co.uk

1  
2  
3  
4  
5  
6  
7

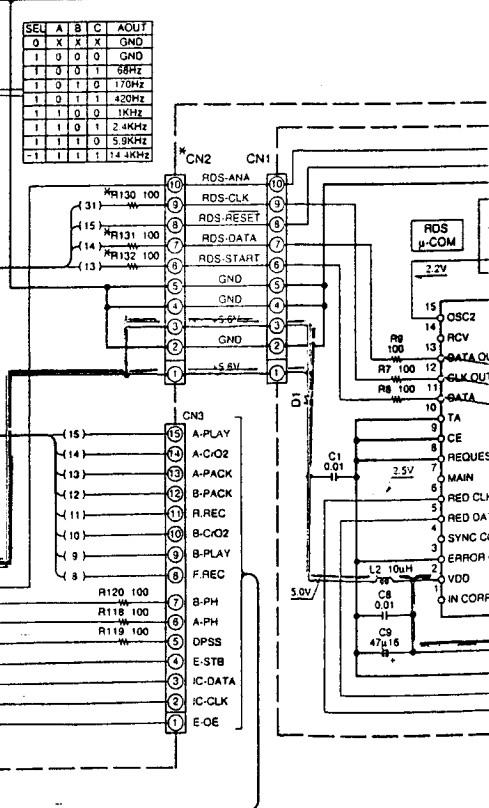
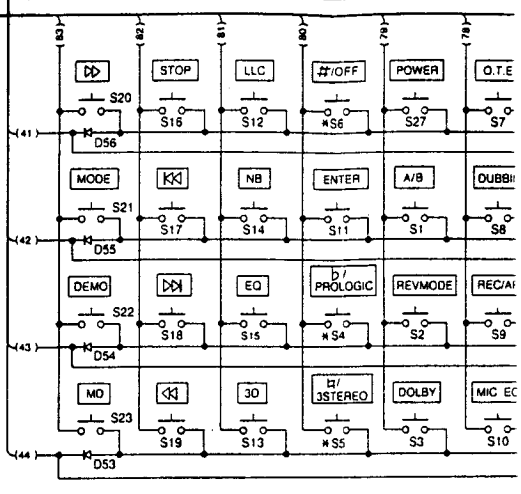
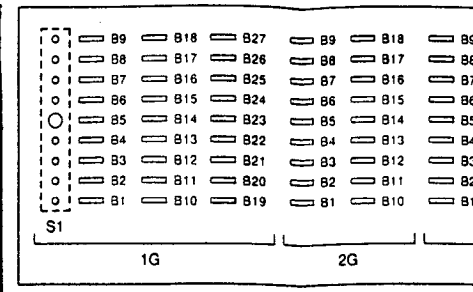
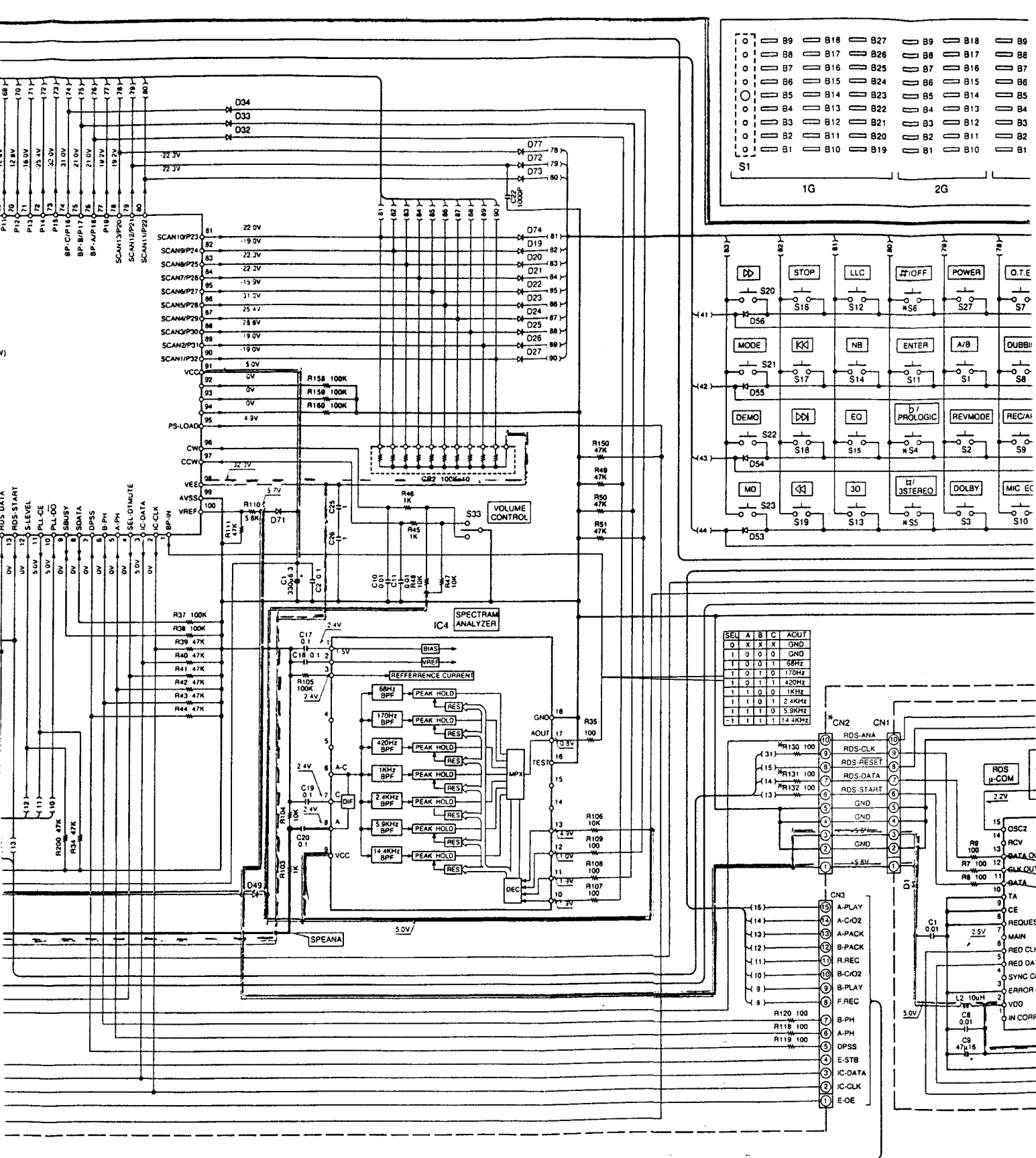
53

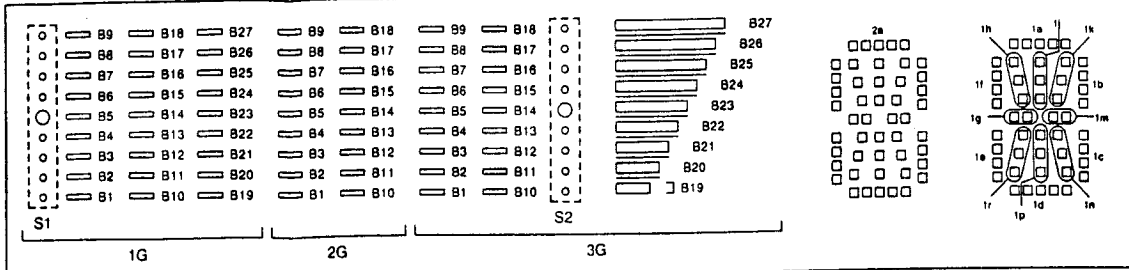




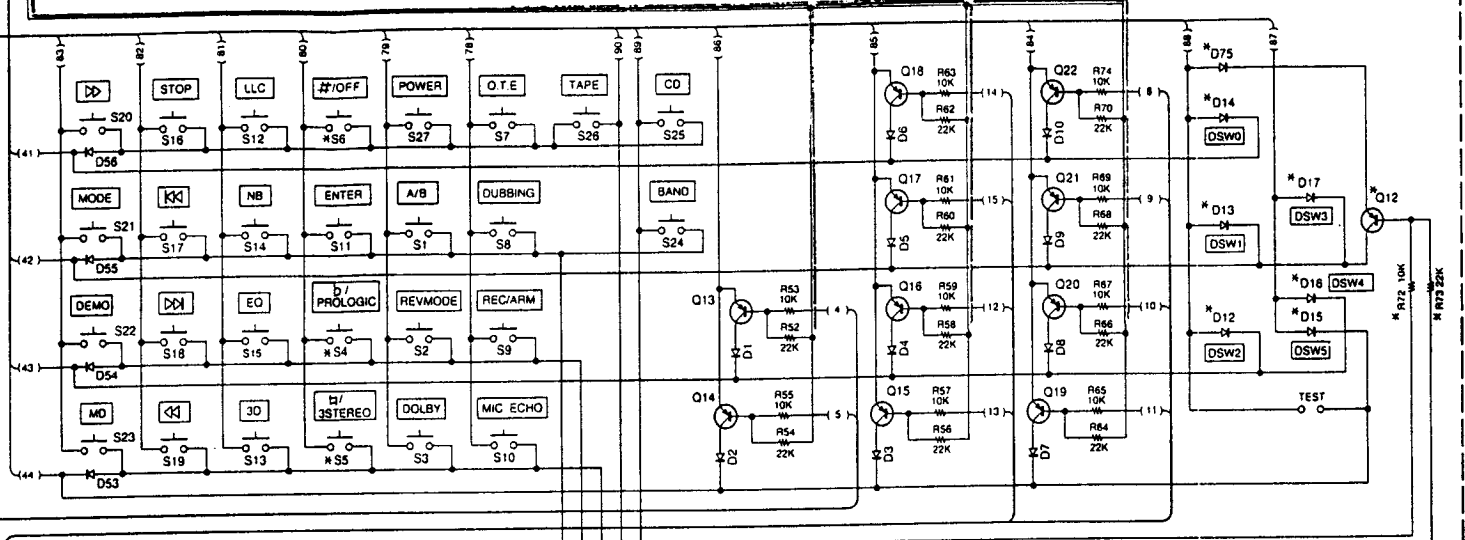


For Service Manuals Contact  
MAURITRON TECHNICAL SERVICES  
8 Cherry Tree Rd, Chinnor  
Oxon OX9 4QY  
Tel: 01844 351694 Fax: 01844 352654  
Email: enquiries@maurtron.co.uk

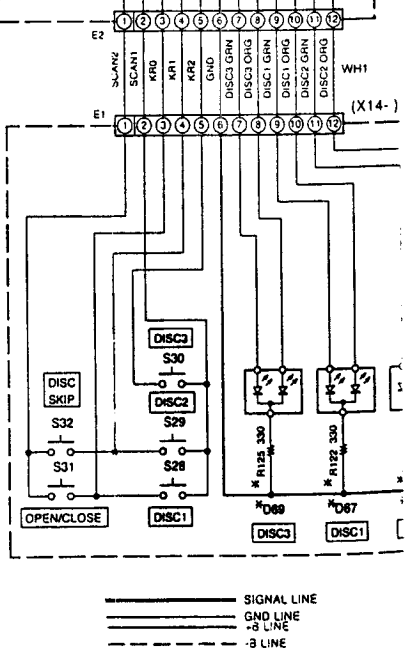
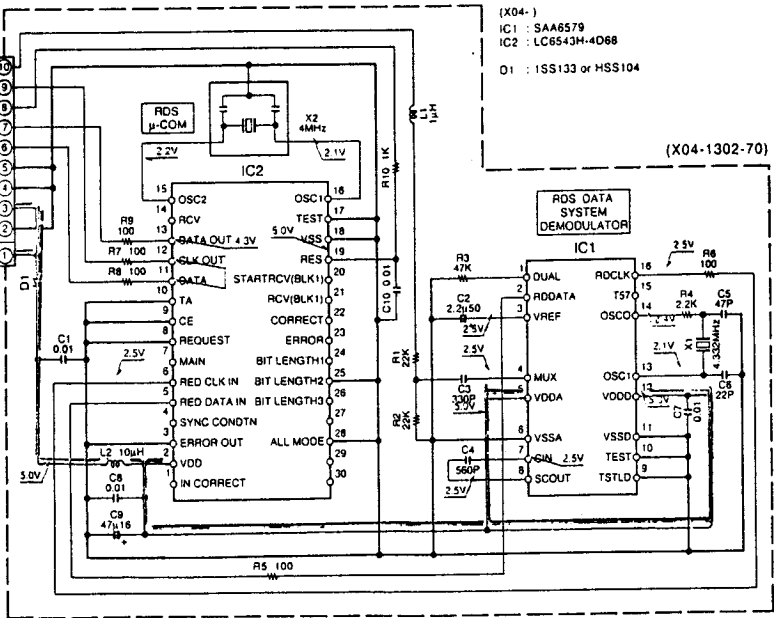




- (X14-)
- IC1 : NJU3718L
  - IC2 : S-806D-Z or PST993D-T
  - IC3 : BA3835F
  - IC4 : 25C4081
  - Q2,3,8,9,11 : 25B1218A(O.P) or 25A1576A.
  - Q12-22 : MA111
  - D1-4,12-17,23,32-34 : MA111
  - 42,43,48,75 : 1SS131 or HSS104A
  - 05-10,19-22,24-27,44,45,47, 71-74,77,80 : 1SS131 or HSS104A
  - D52 : NTZJ6,8(B) or UZ-6,8SSB
  - D57-61,86 : S30-2462-05
  - D62-65,87-89 : S30-2476-05



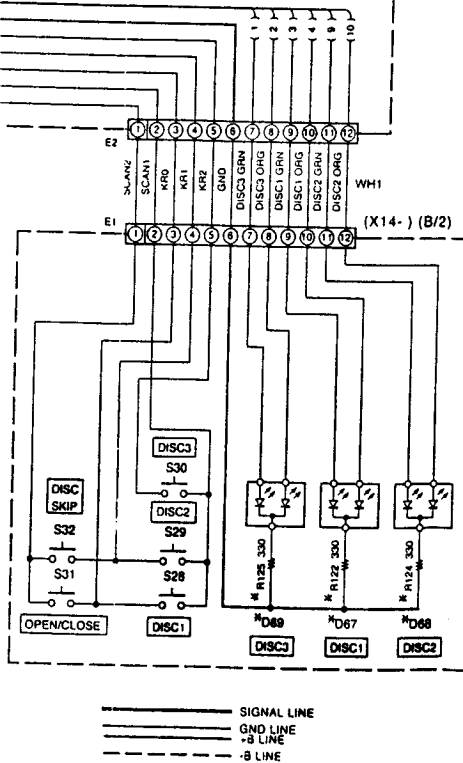
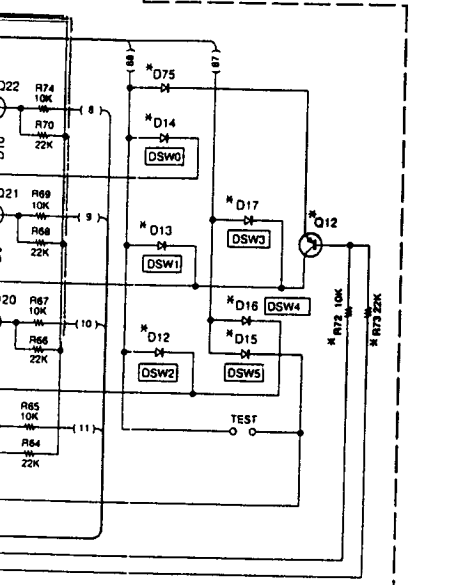
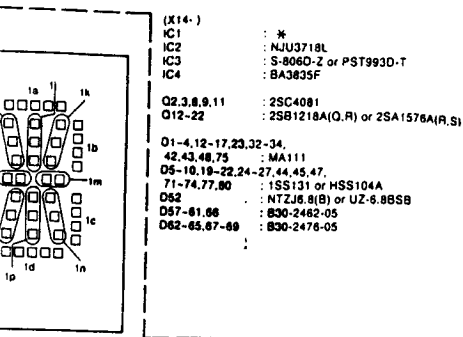
SEL	A	B	C	AOUT
0	X	X	X	GND
1	0	0	0	GND
1	0	0	1	39KHZ
1	0	1	0	375KHZ
1	0	1	1	420KHZ
1	1	0	0	1KHZ
1	1	0	1	2.4KHZ
1	1	1	0	3.9KHZ
1	1	1	1	14.4KHZ



— SIGNAL LINE  
 — GND LINE  
 -B LINE  
 -B LINE

RXD-G3/G4/G5/G31/

For Service Manuals Contact  
**MAURITRON TECHNICAL SERVICES**  
 8 Cherry Tree Rd, Chinnor  
 Oxon OX9 4QY  
 Tel: 01844-351694 Fax: 01844-352554  
 Email: enquiries@maurtron.co.uk



RXD-G3/G4/G5/G31/G51(K)(6/6)

RXD-G3 (X14-410X-XX)

DESTINATION	UNIT No	IC1	Q12	D12	D13	D14	D15-17, 87-89
K	0-11		NO	NO	NO		
P			NO	NO	NO		
Y			NO	NO	NO		
M			NO	NO	NO		
I	0-21	M38198MC-089-FP	YES	NO	NO	YES	NO
C			NO	NO	NO		
X	0-71		NO	NO	YES	NO	
T	0-51		NO	YES	NO	YES	
E	2-71		NO	YES	NO	YES	

DESTINATION	UNIT No	D75	S4-8	ED1	CN2	R72, 73	R122,124,125, 130-132
K	0-11	NO				NO	
P		NO				NO	
Y		NO				NO	
M		NO				NO	
I	0-21	YES	NO	BJ428GK	NO	YES	NO
C							
X	0-71						
T	0-51	NO				NO	
E	2-71					NO	

RXD-G4 (X14-411X-XX)

DESTINATION	UNIT No	IC1	Q12	D12	D13	D14	D15	D16,17 87-89
K	0-11		NO	NO	NO	NO		
P			NO	NO	NO	NO		
Y			NO	NO	NO	NO		
M			NO	NO	NO	NO		
I	0-21	M38198MC-089-FP	YES	NO	NO	NO	NO	YES
C			NO	NO	NO	NO		
X	0-71		NO	NO	YES	NO		
T	0-51	M38199MF-051FP	NO	YES	NO	NO		
E	2-71		NO	YES	NO	YES		

DESTINATION	UNIT No	D75	S4-8	ED1	CN2	R72, 73	R122,124, 125	R130-132
K	0-11	NO				NO		
P		NO				NO		
Y		NO				NO		
M		NO				NO		
I	0-21	YES	NO	FIP10FMWR	NO	YES	YES	NO
C								
X	0-71							
T	0-51	NO				YES	NO	YES
E	2-71					YES	NO	YES

RXD-G5 (X14-411X-XX)

DESTINATION	UNIT No	IC1	Q12	D12	D13	D14	D15	D16,17 87-89
K	0-12		NO	NO	NO	NO		
P			NO	NO	NO	NO		
Y			NO	NO	NO	NO		
M			NO	NO	NO	NO		
I	0-22	M38198MC-089-FP	YES	NO	NO	NO	NO	YES
C			NO	NO	NO	NO		
X	0-72		NO	NO	YES	NO		
T	0-52		NO	YES	NO	NO		
E	2-72	M38199MF-051FP	NO	YES	NO	NO		

DESTINATION	UNIT No	D75	S4-8	ED1	CN2	R72, 73	R122,124, 125	R130-132
K	0-12	NO				NO		
P		NO				NO		
Y		NO				NO		
M		NO				NO		
I	0-22	YES	YES	FIP10FMWR	NO	YES	YES	NO
C								
X	0-72							
T	0-52	NO				YES	NO	YES
E	2-72					YES	NO	YES

RXD-G31 (X14-4100-22)

DESTINATION	UNIT No	IC1	Q12	D12,13,15, 16,87-89	D14,17 75	
M	0-22	M38198MC-089-FP	YES	NO	NO	YES
I						
C						

DESTINATION	UNIT No	S4-8	ED1	CN2	R72, 73	R122,124, 125, 130-132
ABB	0-22	NO	BJ428GK	NO	YES	NO
M						
I						
C						

RXD-G51 (X14-4110-23)

DESTINATION	UNIT No	IC1	Q12	D12,13, 18	D14,15,17, 87-89,75
M	0-23	M38198MC-089-FP	YES	NO	YES
I					
C					

DESTINATION	UNIT No	S4-8	ED1	CN2	R72,73,122, 124,125	R130-132
ABB	0-23	NO	FIP10FMWR	NO	YES	NO
M						
I						
C						

DESTINATION	COUNTRY	ABB
U.S.A.	U.S.A.	K
CANADA	CANADA	P
FX	FX	F
GENERAL MARKET	GENERAL MARKET	M
MALAYSIA	MALAYSIA	I
CHINA	CHINA	C
AUSTRALIA	AUSTRALIA	X
U.K.	U.K.	T
EUROPE	EUROPE	E

**CAUTION:** For continued safety, replace safety critical components only with manufacturer's recommended parts (refer to parts list).  $\Delta$  indicates safety critical components. For continued protection against risk of fire, replace only with same type and rating fuse(s). To reduce the risk of electric shock, leakage-current or resistance measurements shall be carried out (exposed parts are acceptably insulated from the supply circuit) before the appliance is returned to the customer.

The DC voltage is an actual reading measured with a high impedance type voltmeter with no signal input. The measurement value may vary depending on the measuring instruments used or on the product.

For Service Manuals Contact  
**MAURITRON TECHNICAL SERVICES**  
 8 Cherry Tree Rd, Chinnor  
 Oxon OX9 4QY  
 Tel: 01844-351694 Fax: 01844-352554  
 Email: enquiries@mauritron.co.uk

**RXD-G3/G4/G5/G31/G51**

**KENWOOD**