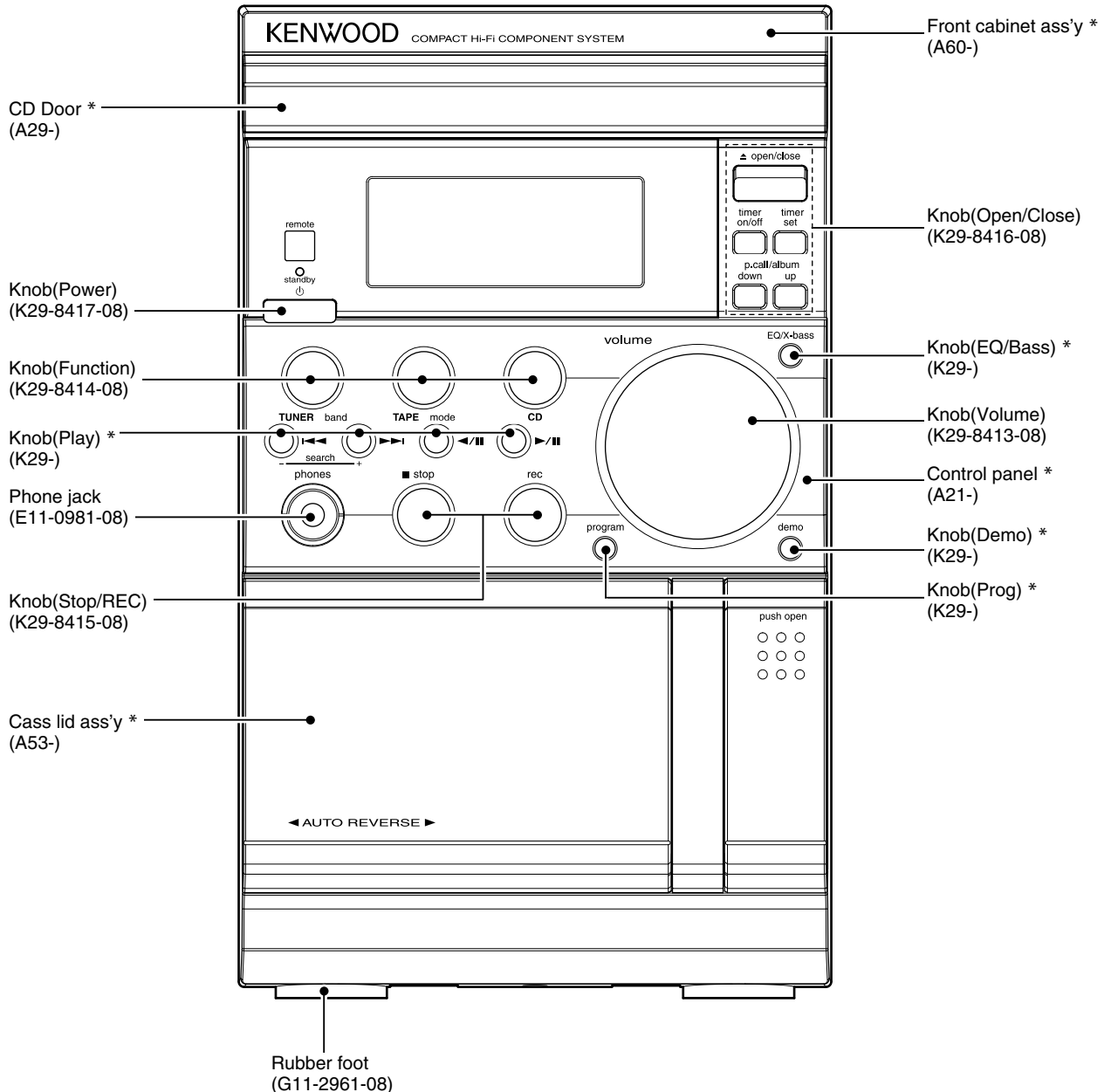


COMPACT HI-FI COMPONENT SYSTEM  
**RXD-M57MP-H/M57MP-S**  
**SERVICE MANUAL**

**KENWOOD**

**(HM-537MP)**

© 2004-8 PRINTED IN KOREA  
 B51-5923-00 (K/K) 339



**\* Refer to parts list on page 20.**

In compliance with Federal Regulations, following are reproduction of labels on, or inside the product relating to laser product safety.

**Caution :** No connection of ground line if disassemble the unit. Please connect the ground line on rear panel, PCBs, Chassis and some others.

KENWOOD Corp. certifies this equipment conforms to DHHS Regulations No.21 CFR 1040. 10, Chapter 1, subchapter J.  
**DANGER : Laser radiation when open and interlock defeated. AVOID DIRECT EXPOSURE TO BEAM.**



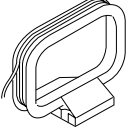
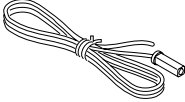
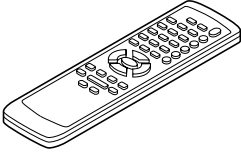
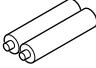

# RXD-M57MP

## CONTENTS / ACCESSORIES / CAUTIONS

### CONTENTS

CONTENTS / ACCESSORIES / CAUTIONS.....	2	SCHEMATIC DIAGRAM .....	13
EXTERNAL VIEW .....	3	EXPLODED VIEW .....	19
ADJUSTMENT .....	4	PARTS LIST.....	20
PC BOARD .....	8	SPECIFICATIONS.....	BACK COVER

### ACCESSORIES

AM loop antenna (1) (T90-0908-08)	FM ANT Wire (1) (T90-0918-08)	Remote control unit (1) (A70-1688-08)	Batteries (R6/AA) (2)	AC plug adapter (1) (E03-0115-05)
				

Use to adapt the plug on the power cord to the shape of the wall outlet. (Accessory only for regions where use is necessary.)

### SYSTEM CONFIGURATION

SYSTEM	RECEIVER	SPEAKERS
HM-537MP-H	RXD-M57MP-H	LS-M57-H
HM-537MP-S	RXD-M57MP-S	LS-M57-S

### CAUTIONS

#### ***Resetting the Microcomputer***

The microcomputer may malfunction (unit cannot be operated, or shows an erroneous display) if the power cord is unplugged while the power is ON, or due to some other external factor. If this happens, execute the following procedure to reset the microcomputer and return the unit to its normal operating condition.

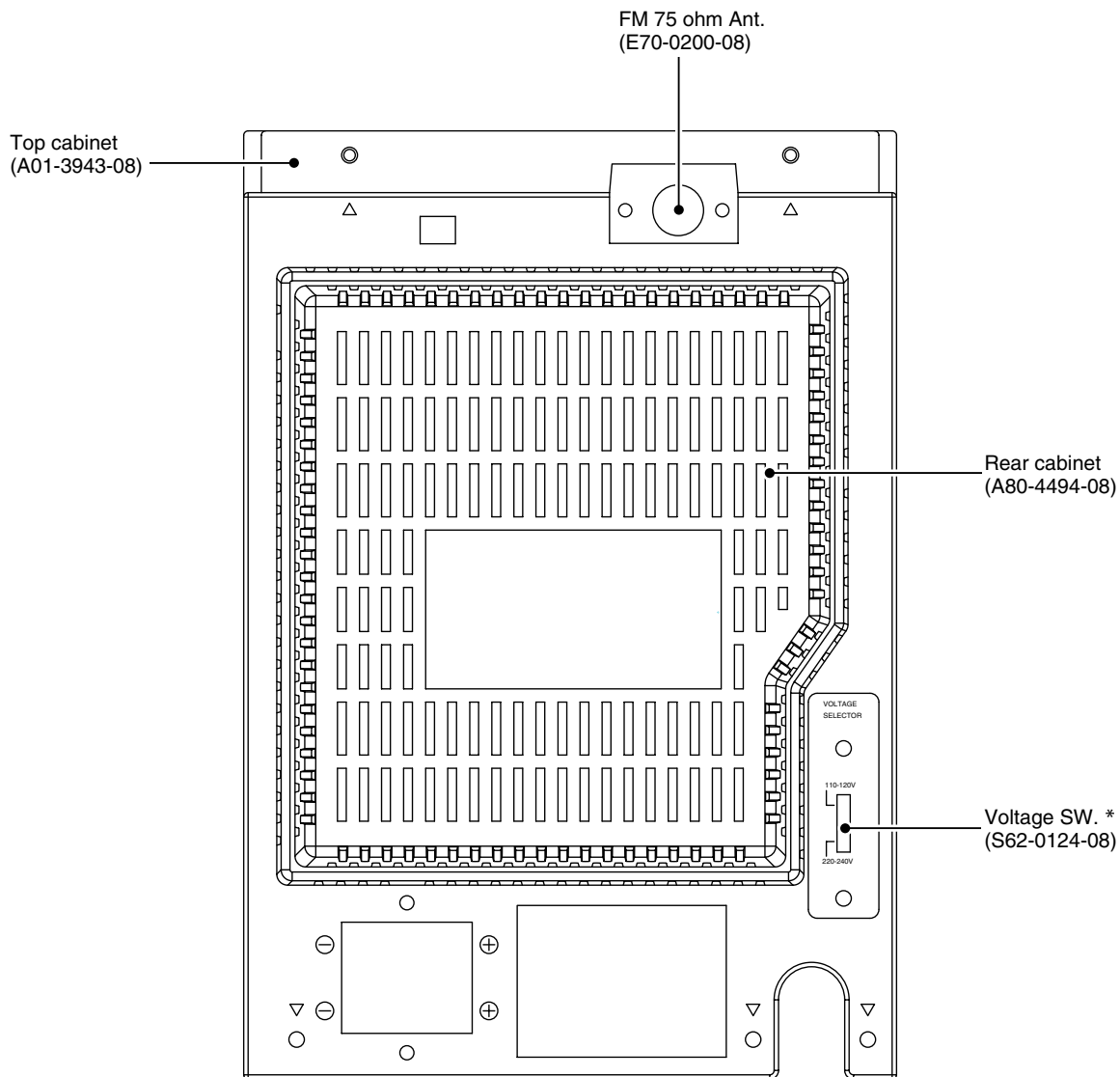
**Plug in the AC power cord to the wall outlet, and within 5 seconds, press and hold down the ■ button and press CD button.**

- Please note that resetting the microcomputer will clear the contents of the memory and return the unit to the state it was in when it left the factory.

**CLASS 1 LASER PRODUCT  
LASER KLASSE 1  
APPAREIL A LASER DE CLASSE 1  
LUOKAN 1 LASERLAITE  
KLASS 1 LASERAPPARAT**

The marking this product has been classified as Class 1. It means that there is no danger of hazardous radiation outside the product.  
Location: Bottom

## EXTERNAL VIEW



\* Refer to parts list on page 20.

# RXD-M57MP

## ADJUSTMENT

### SERVICE ADJUSTMENT

#### Lubrication

The mechanical parts are factory coated with a thin coat of light grease and should not require further lubrication. If a light grease is applied, be careful not to get any grease on the play/record head or erase head, hubs, pulleys, tapes reels, drive belts, or switches. Use a good lubricant such as Silicon Lube G322L or Lubricate.

#### Service Check

Before aligning the mechanism, wipe off any accumulated dirt with denatured alcohol. Wipe around parts where the tape contacts and around all rotating parts. Drive belts are specially processed. Do not clean them with alcohol.

#### Mechanical Torque

Use a cassette type torque gauge and check the tape mechanism.

Take-up torque	35 to 70 g-cm
Rewind torque	50 g-cm min.
Fast forward torque	50 g-cm min.

#### Pinch Wheel Pressure

No adjustment to the pinch roller spring is necessary. It should be sufficient to give at least 40 g-cm pull force.

#### Tape Head Servicing

Each time the unit is serviced, the face of all heads should be thoroughly cleaned with denatured alcohol or commercial head cleaning solution. The playback head should be demagnetized with a commercial demagnetizer. Accumulation of tape oxide during normal operations can cause problems, including loss of high frequencies and wow and flutter.

#### Erase Head

The erase head is properly aligned when the tape rides directly between the tape guide on the head without crinkling the tape.

#### Play/Record and Playback Head Azimuth Adjustment

To adjust the play/record and playback head azimuth screw:

1. Connect two (2) VTVMs and a dual trace scope to the stereo headphone jack (as shown) with a 32 ohm dummy load. (See Figure 1.)

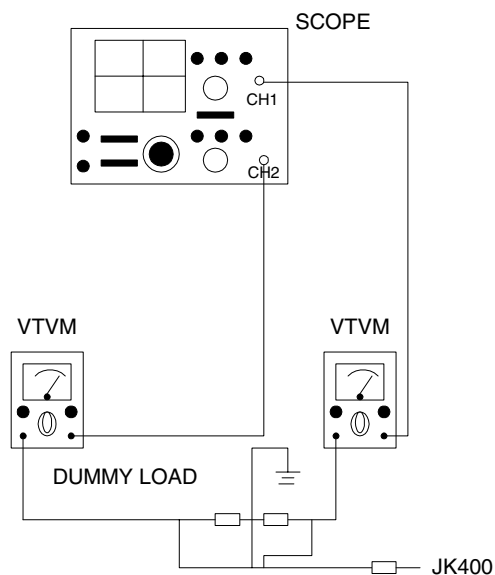
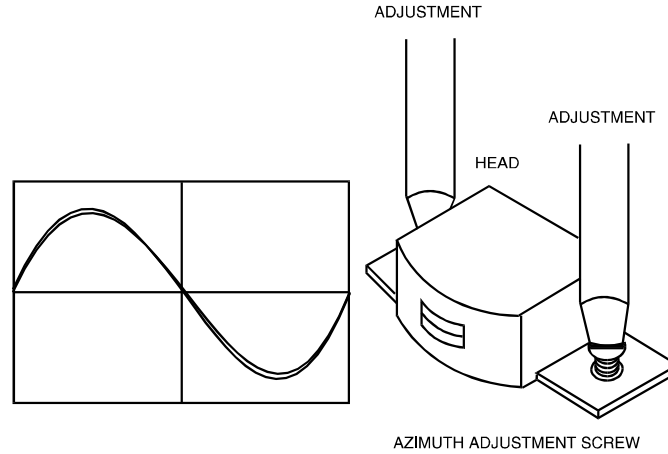


Figure 1. Azimuth Adjustment

## ADJUSTMENT

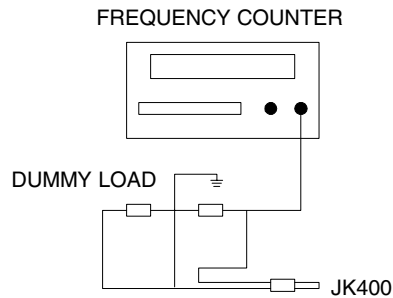
2. Insert a 10 kHz test tape (Teac MTT-1141V or Equivalent) into the tape mechanism and play it back.
3. While playing back the test tape, slowly turn the azimuth adjusting screw until the amplitude of both channel output waveforms is maximum and in phase. Note: Reiteration adjusting Right, lift the screw, until the amplitude of both channel output waveform is maximum. (See Figure 2.)
4. Secure the azimuth screw in place with glue or paint after making the adjustment.



**Figure 2. Head Output Signal**

### Tape Speed Adjustment

1. Set the function switch to TAPE.
2. Connect a frequency counter with a 32 ohm dummy load to the stereo headphone jack. (See Figure 3.)



**Figure 3. Tape Speed Adjustment**

3. Insert and play back a 3 kHz test tape (Teac MTT-111 or Equivalent) into the tape mechanism.
4. Insert an insulated alignment tool and adjust the tape speed potentiometer (MOTOR) until the frequency counter indicates 2940 Hz to 3090 Hz.

### Bias Oscillator Frequency and Level Adjustment

1. Set the function switch to TAPE and the record and play tape mechanism to RECORD.
2. Connect a VTVM and frequency counter to test point R/P HEAD.
3. Adjust bias oscillator coil L203 until the frequency counter indicates  $67 \text{ kHz} \pm 0.5 \text{ kHz}$ .

# RXD-M57MP

## ADJUSTMENT

### TUNER ALIGNMENT PROCEDURE

#### Equipment needed:

1. AM Signal generator
2. FM Signal generator
3. DC Voltage meter
4. Oscilloscope
5. Output meter (VTVM)

#### AM Alignment

Step	S/G Frequency	Dial Setting	Indicator	Adjust	Remarks
1	450 kHz (1 kHz 30% mod.)	612 kHz	Connect oscilloscope or VTVM to speaker jack	T101	Adjust for maximum output
2	531 kHz (1 kHz 30% mod.)	Low end	Connect DC voltage meter to test point Vt and ground	L102	Adjust until Vt equal to 1.5 – 0.05V
3	1602 kHz (1 kHz 30% mod.)	High end	Same as step 2		Confirm Vt: 6.5~8.5V
4	612 kHz (1 kHz 30% mod.)	612 kHz	Same as step 1	L103	Maximum output
5	1404 kHz (1 kHz 30% mod.)	1404 kHz	Same as step 1	TC101	Maximum output
6	Repeat steps 4 and 5 to minimize tracking error				
7	999 kHz (1 kHz 30%mod.)	999 kHz	Same as step 1		Offset is less than 6 dB.

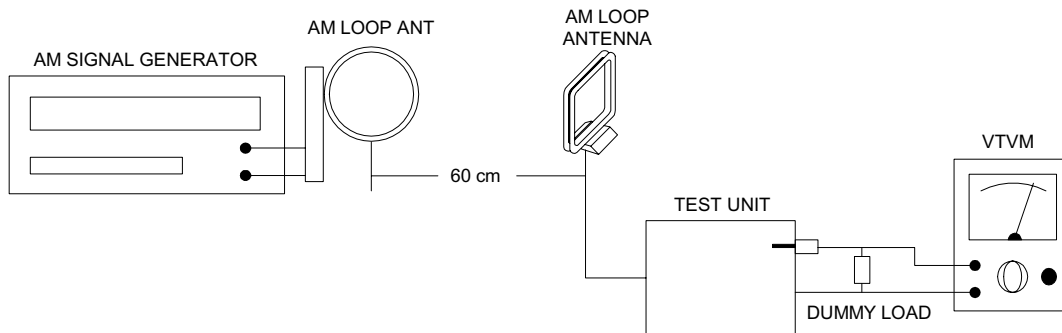


Figure 4. AM IF/Rf Tracking

## ADJUSTMENT

### FM Alignment:

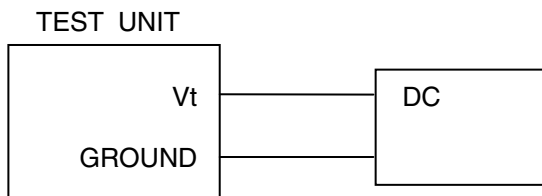


Figure 5. FM Band Frequency Coverage Alignment

Connect FM S/G to ANT inputs (mod 1 kHz 22.5kHz dev.)

Step	S/G Frequency	Dial Setting	Indicator	Adjust	Remarks
1	87.5 MHz	Lowend	Conned DC Voltage meter to test point Vt and ground		Confirm Vt: 1.7 ±0.2V
2	108 MHz	High end	Same as step 1		Confirm Vt: 8.5 ±1V

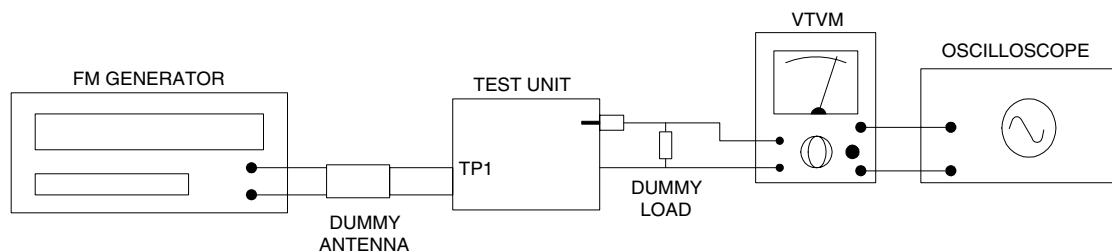
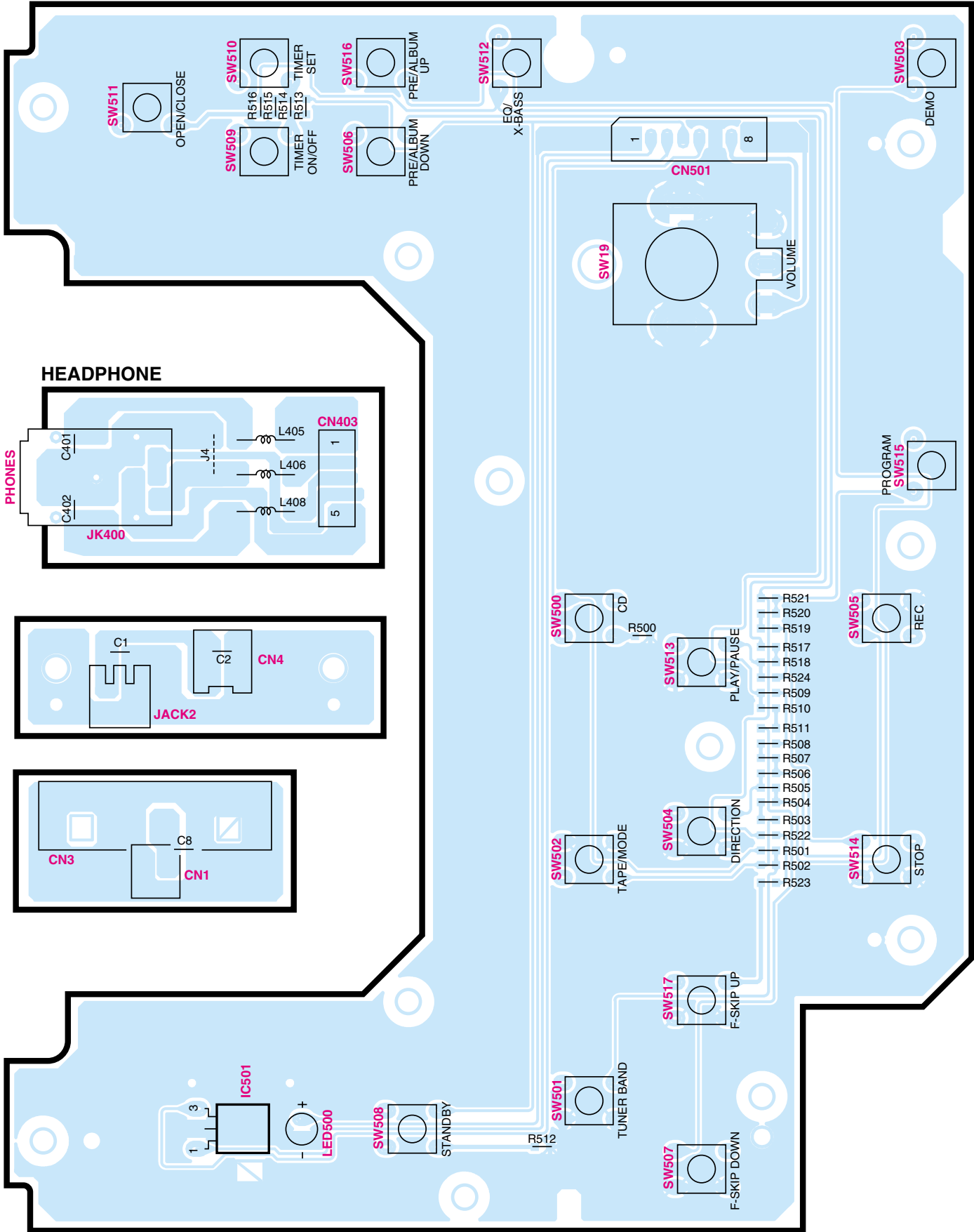


Figure 6. FM Band/Tracking

# PC BOARD (Component side view)

## KEY

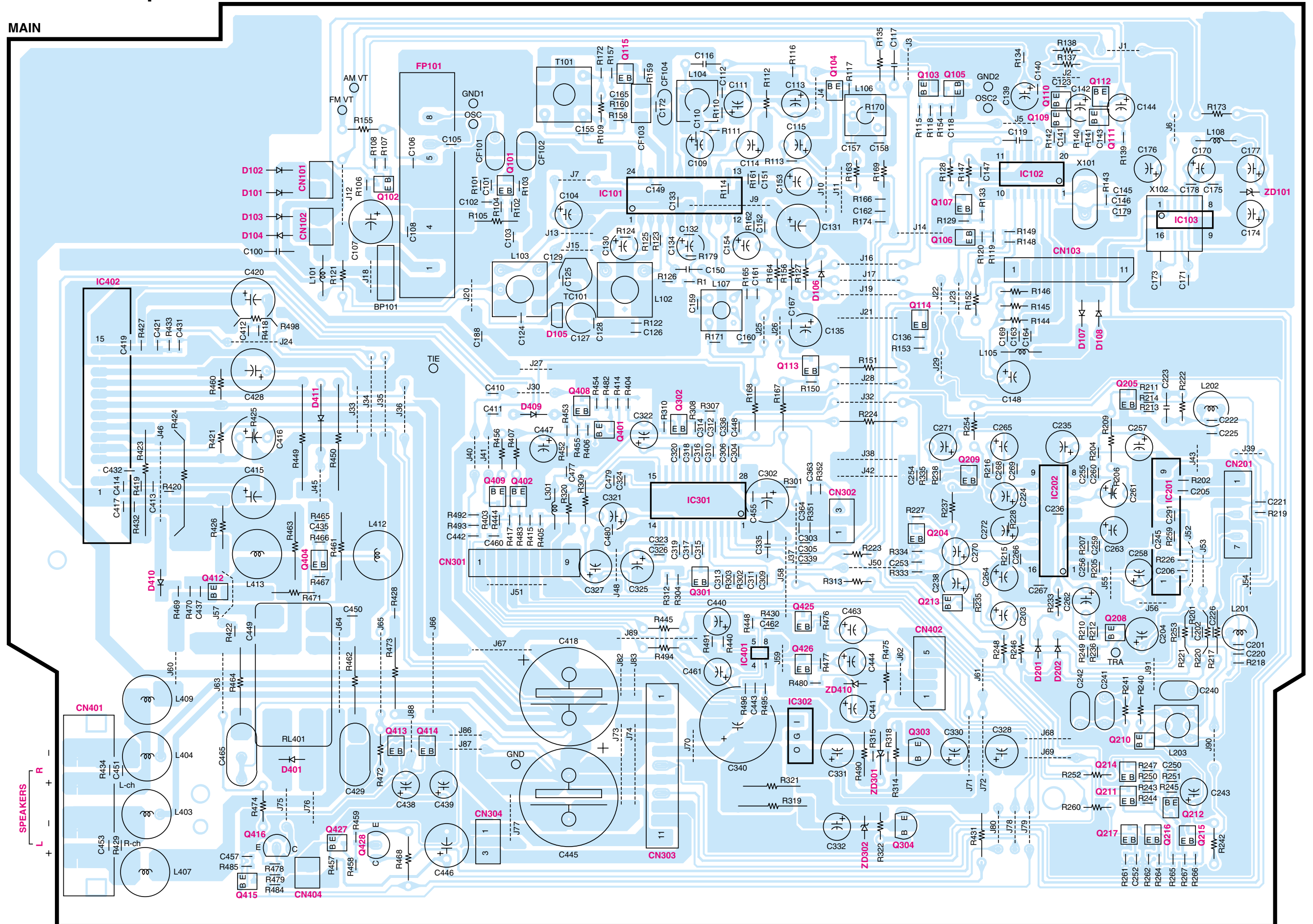


8 Refer to the schematic diagram for the value of resistors and capacitors.



# PC BOARD(Component side view)

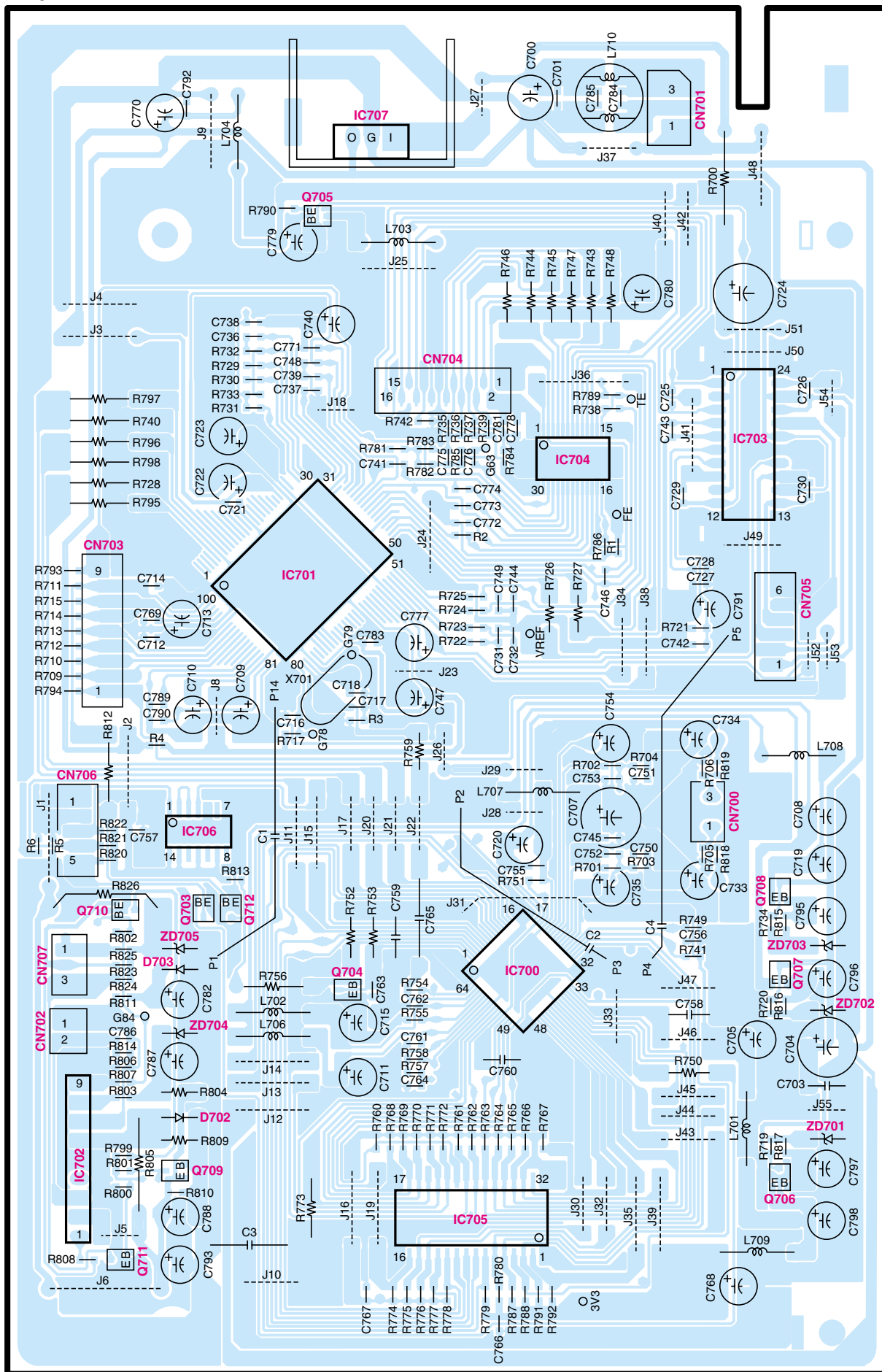
MAIN



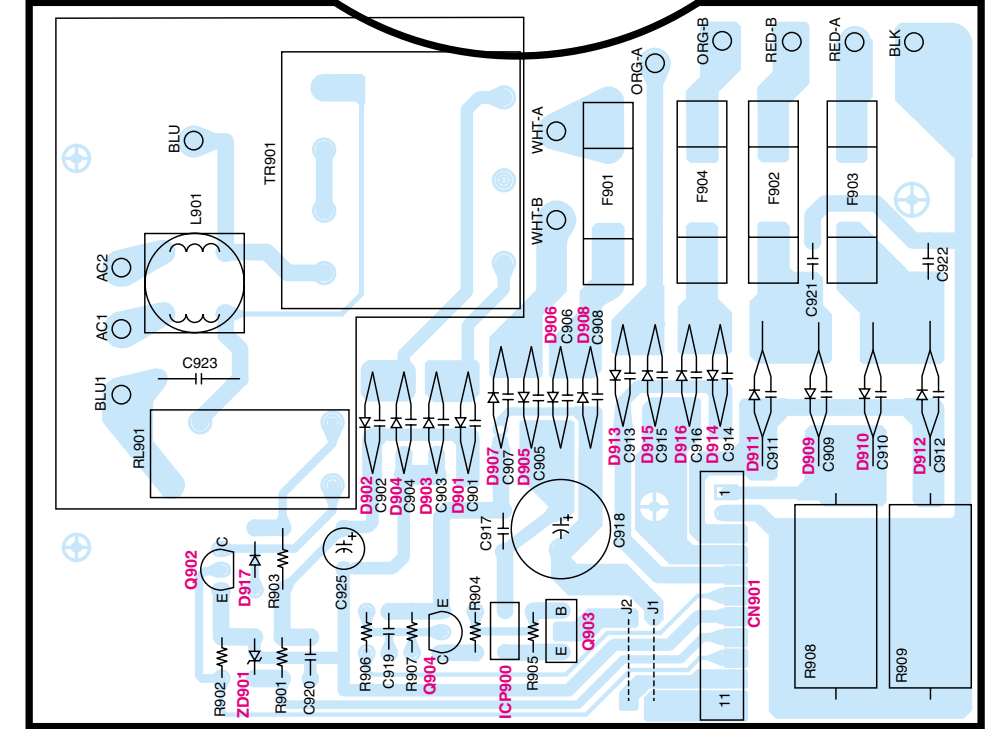
Refer to the schematic diagram for the value of resistors and capacitors.

# PC BOARD(Component side view)

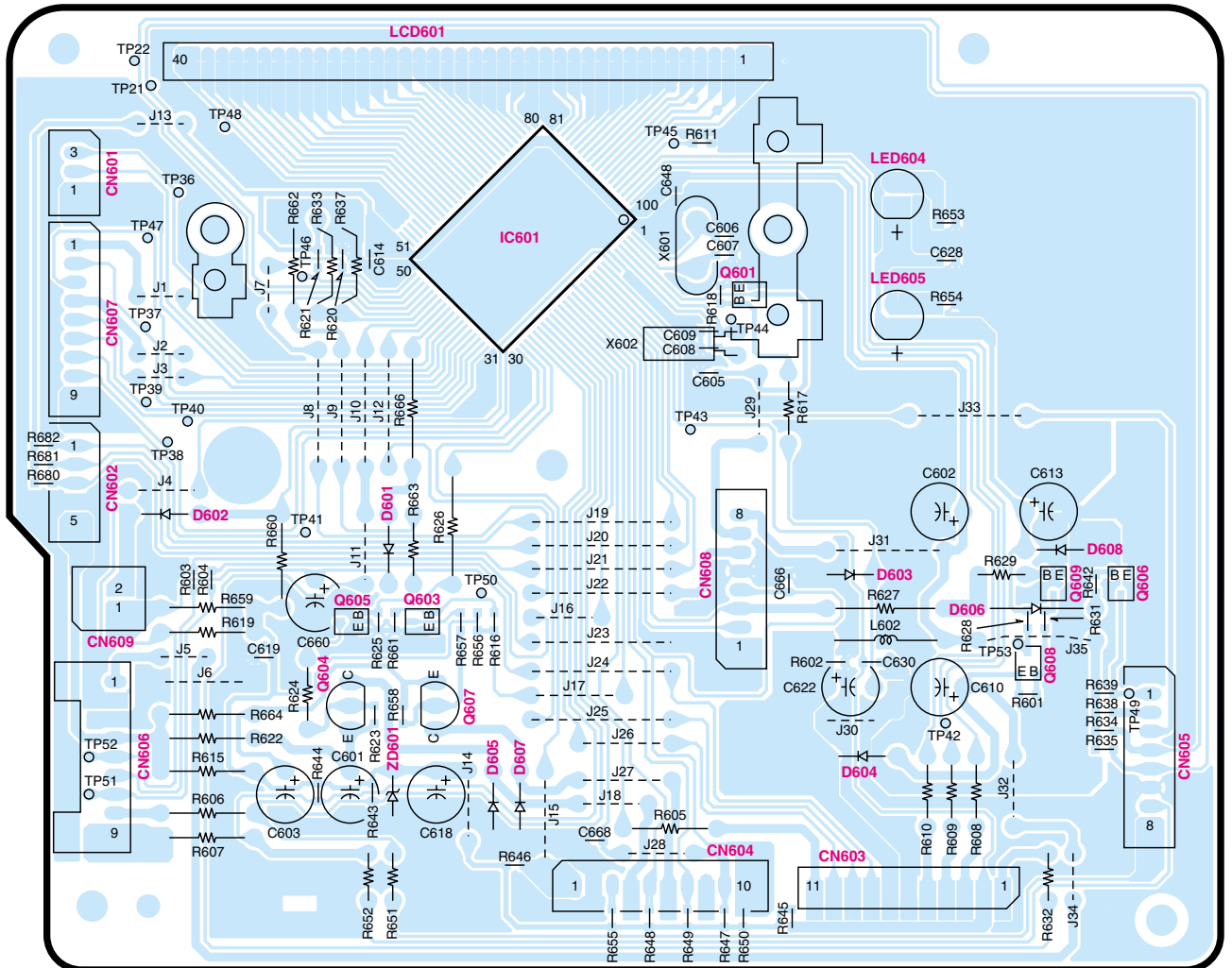
MP3

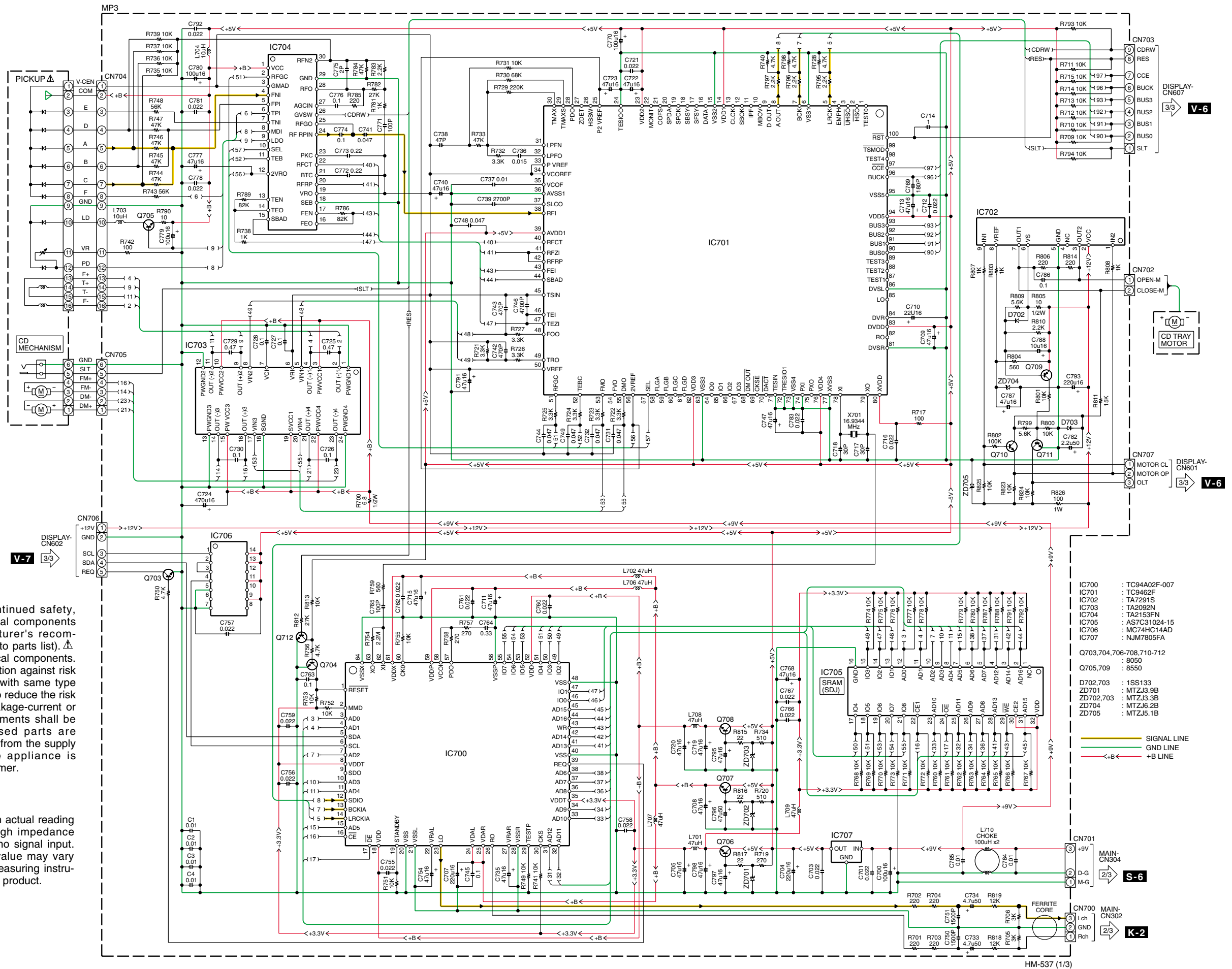


# POWER



# DISPLAY





**CAUTION:** For continued safety, replace safety critical components only with manufacturer's recommended parts (refer to parts list).  $\Delta$  indicates safety critical components. For continued protection against risk of fire, replace only with same type and rating fuse(s). To reduce the risk of electric shock, leakage-current or resistance measurements shall be carried out (exposed parts are acceptably insulated from the supply circuit) before the appliance is returned to the customer.

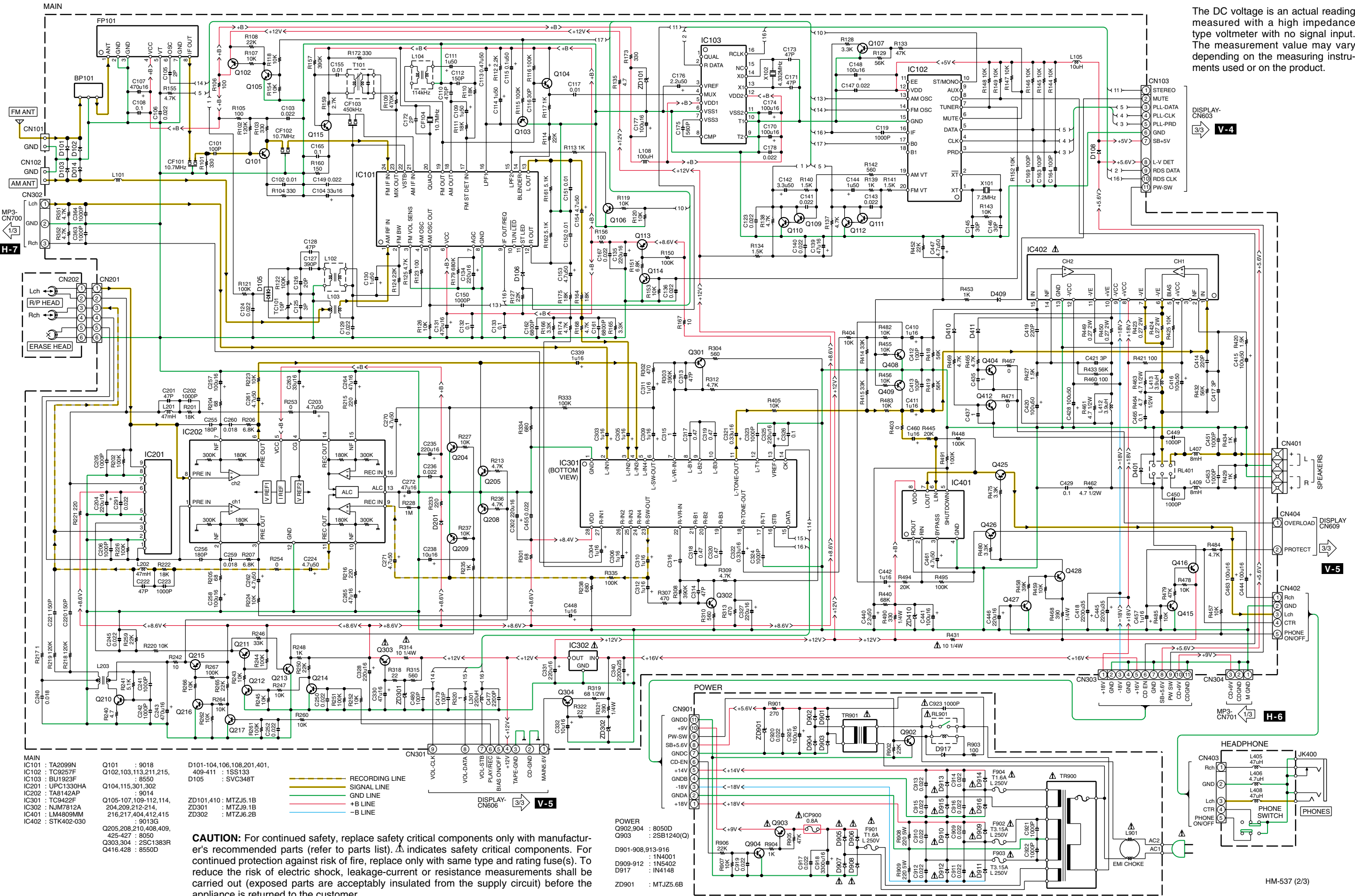
The DC voltage is an actual reading measured with a high impedance type voltmeter with no signal input. The measurement value may vary depending on the measuring instruments used or on the product.

- IC700 : TC94A02F-007
- IC701 : TC9462F
- IC702 : TA7291S
- IC703 : TA2092N
- IC704 : TA2153FN
- IC705 : AS7C31024-15
- IC706 : MCT74HC14AD
- IC707 : NUM7805FA

- Q703,704,706-708,710-712 : 8550
- Q705,709 : 8550
- D702,703 : 1S5133
- ZD701 : MTZJ3.9B
- ZD702,703 : MTZJ3.3B
- ZD704 : MTZJ6.2B
- ZD705 : MTZJ5.1B

— SIGNAL LINE  
 — GND LINE  
 — +B LINE

# RXD-M57MP



The DC voltage is an actual reading measured with a high impedance type voltmeter with no signal input. The measurement value may vary depending on the measuring instruments used or on the product.

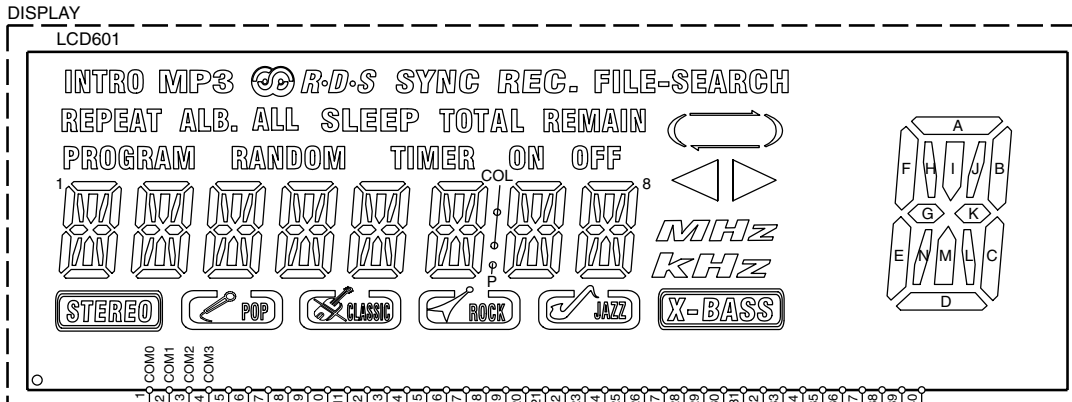
- MAIN**
- IC101 : TA2099N
  - IC102 : TC9257F
  - IC103 : BU1923F
  - IC201 : UPC1830HA
  - IC202 : TA8142AP
  - IC301 : TC9422F
  - IC302 : NUM7812A
  - IC401 : LM4809MM
  - IC402 : STK402-030
- Q101 : 9018**
- Q102,103,113,211,215, 409-411 : 1S5133
  - D105 : SVC348T
- Q104,115,301,302 : 8550**
- Q105-107,109-112,114, 204,209,212-214, 216,217,404,412,415 : 9013G
  - Q205,208,210,408,409, 425-427 : 8050
  - Q303,304 : 2SC1383R
  - Q416,428 : 8550D
- D101-104,106,108,201,401, 409-411 : 1S5133**
- D105 : SVC348T
  - ZD101,410 : MTJZ5.1B
  - ZD301 : MTZJ9.1B
  - ZD302 : MTZJ6.2B

- RECORDING LINE
- SIGNAL LINE
- GND LINE
- +B LINE
- B LINE

- POWER**
- Q902,904 : 8050D
  - Q903 : 2SB1240(Q)
  - D901-908,913-916 : IN4001
  - D909-912 : 1N5402
  - D917 : 1N4148
  - ZD901 : MTJZ5.6B

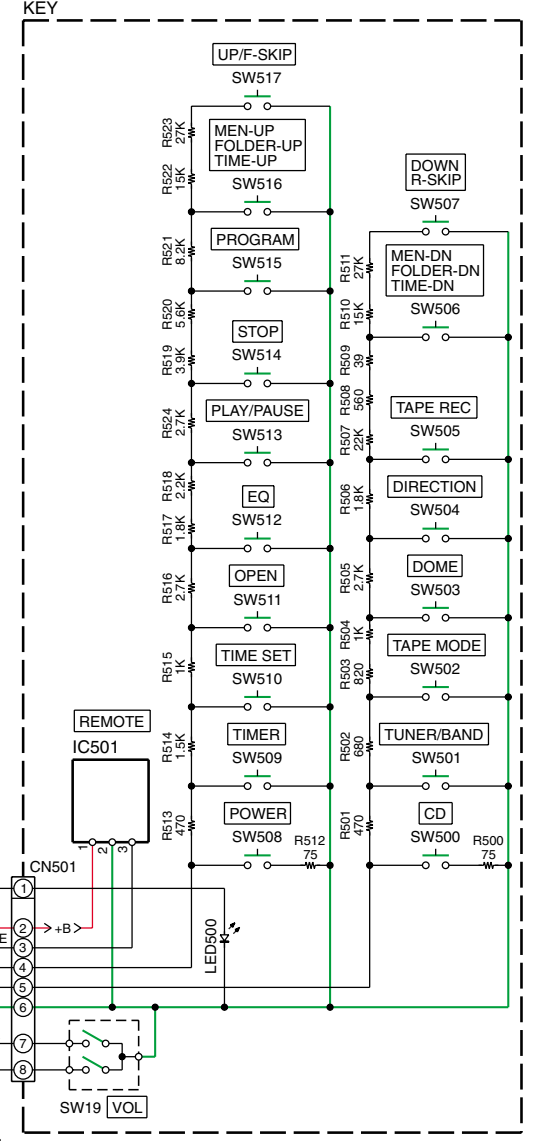
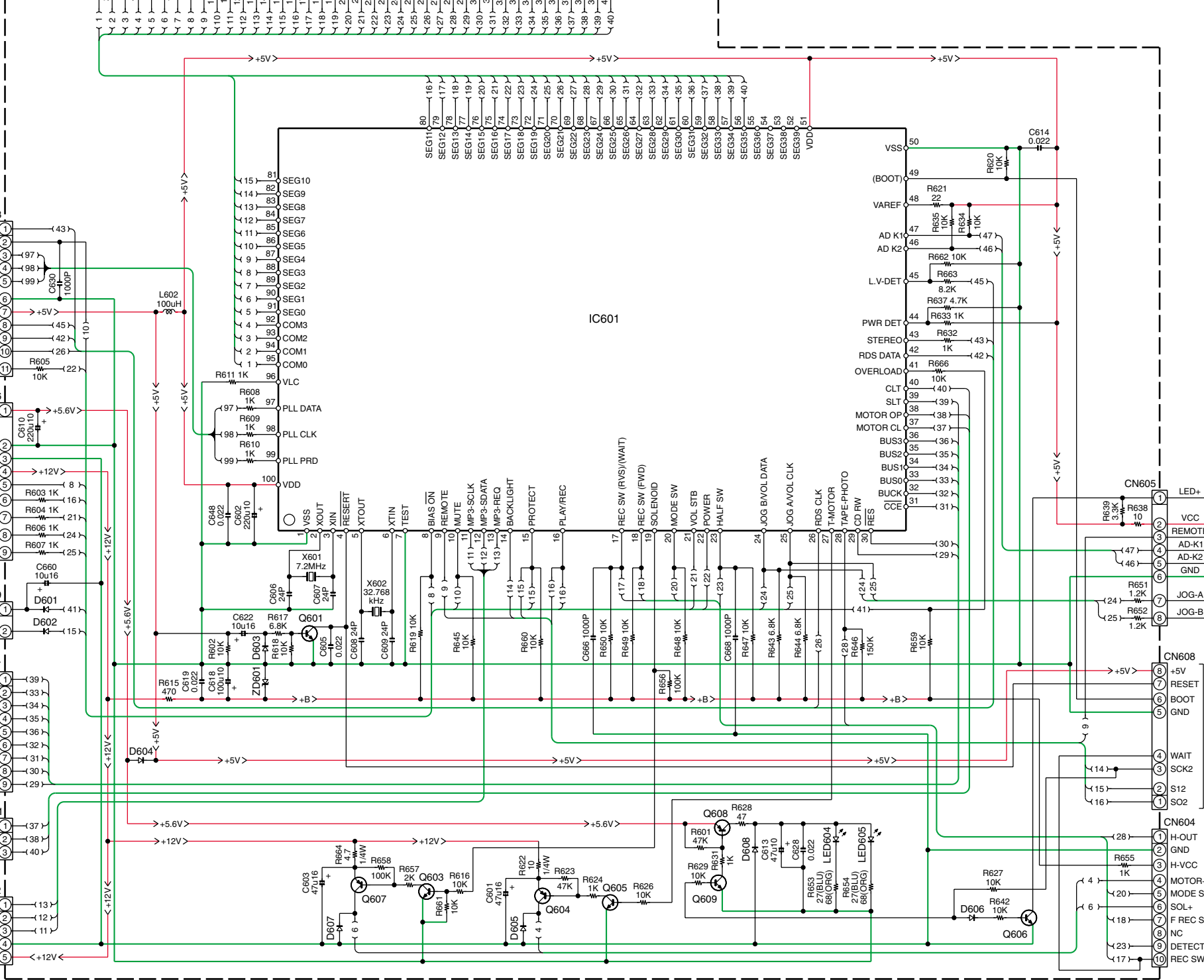
**CAUTION:** For continued safety, replace safety critical components only with manufacturer's recommended parts (refer to parts list).  $\Delta$  indicates safety critical components. For continued protection against risk of fire, replace only with same type and rating fuse(s). To reduce the risk of electric shock, leakage-current or resistance measurements shall be carried out (exposed parts are acceptably insulated from the supply circuit) before the appliance is returned to the customer.

The DC voltage is an actual reading measured with a high impedance type voltmeter with no signal input. The measurement value may vary depending on the measuring instruments used or on the product.

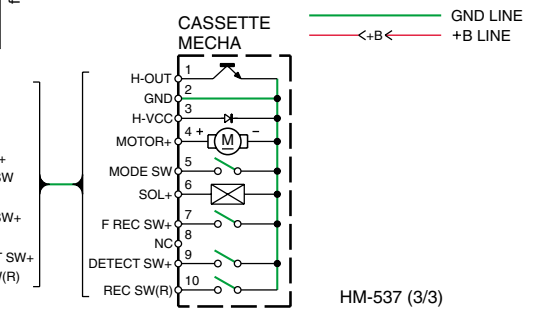


COM/PIN #	1	2	3	4	5	6	7	8	9	10	11	12	13	14	15	16	17	18	19	20
COM-0	COM0				1F	1A	1B	TOTAL	2F	2A	2B	PROGRAM	3F	3A	3B	REMAIN	4F	4A	4B	SLEEP
COM-1		COM1			1H	1I	1J	R-D-S	2H	2I	2J	TUNER	3H	3I	3J	ON	4H	4I	4J	OFF
COM-2			COM2					1C	2G	2N	2K	2C	3G	3N	3K	3C	4G	4N	4K	4C
COM-3				COM3	1E	1M	1L	1D	2E	2M	2L	2D	3E	3M	3L	3D	4E	4M	4L	4D

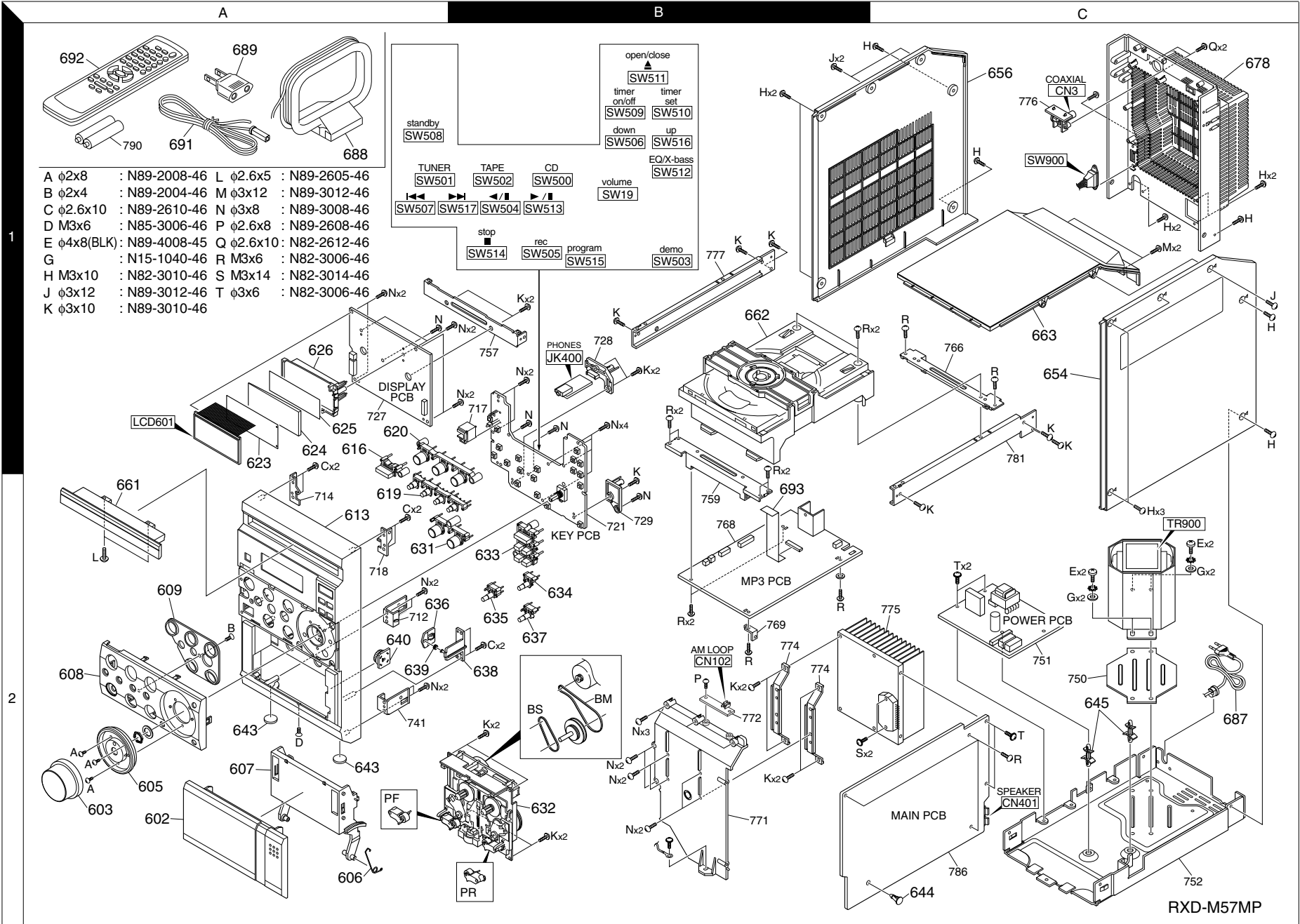
COM/PIN #	21	22	23	24	25	26	27	28	29	30	31	32	33	34	35	36	37	38	39	40
COM-0	5F	5A	5B	INTRO	6F	6A	6B	FILE-SEARCH	RANDOM	7F	7A	7B	REPEAT	8F	8A	8B	ALL	SYNC	MP3	X-BASS
COM-1	5H	5I	5J	COL	6H	6I	6J	STEREO	MP3	7H	7I	7J	ALB.	8H	8I	8J	STOP	SLEEP	RECALL	MP
COM-2	5G	5N	5K	5C	6G	6N	6K	6C	PLAY	7G	7N	7K	7C	8G	8N	8K	8C	RECALL	MP	MP
COM-3	5E	5M	5L	5D	6E	6M	6L	6D	P(O)	7E	7M	7L	7D	8E	8M	8L	8D	RECALL	MP	REC.



- IC501 : RPM6938-V4
- IC601 : P87EP26F-4K76
- D601,602,604-608 : 1N4148
- D603 : 1SS133
- Q601,603,605,606,609 : 9013G
- Q604,607 : 8550D
- Q608 : 8550
- ZD601 : MTZJ5.1B



HM-537 (3/3)



- |                   |               |                 |               |
|-------------------|---------------|-----------------|---------------|
| A $\phi$ 2x8      | : N89-2008-46 | L $\phi$ 2.6x5  | : N89-2605-46 |
| B $\phi$ 2x4      | : N89-2004-46 | M $\phi$ 3x12   | : N89-3012-46 |
| C $\phi$ 2.6x10   | : N89-2610-46 | N $\phi$ 3x8    | : N89-3008-46 |
| D M3x6            | : N85-3006-46 | P $\phi$ 2.6x8  | : N89-2608-46 |
| E $\phi$ 4x8(BLK) | : N89-4008-45 | Q $\phi$ 2.6x10 | : N82-2612-46 |
| G                 | : N15-1040-46 | R M3x6          | : N82-3006-46 |
| H M3x10           | : N82-3010-46 | S M3x14         | : N82-3014-46 |
| J $\phi$ 3x12     | : N89-3012-46 | T $\phi$ 3x6    | : N82-3006-46 |
| K $\phi$ 3x10     | : N89-3010-46 |                 |               |

EXPLODED VIEW

RXD-M57MP

RXD-M57MP

\* New Parts  
 Parts without **Parts No.** are not supplied.  
 Les articles non mentionnés dans le **Parts No.** ne sont pas fournis.  
 Teile ohne **Parts No.** werden nicht geliefert.



Ref. No	Add-ress	New Parts	Parts No.	Description	Desti-nation	Re-marks
<b>RXD-HM-537MP</b>						
-		*	B60-5468-08	I/B (English) 88-00537-05	E	
-		*	B60-5469-08	I/B (S) 88-00537-04		
-		*	H10-7939-08	Polyfoam Top 86-00537-00		
-		*	H10-7940-08	Polyfoam Botto 86-00537-01		
-		*	H60-1292-08	Carton Box (FI) 89-00537-00	ES	
-		*	H60-1293-08	Carton Box (FI) 89-00537-05	MS	
-		*	H60-1294-08	Carton Box (FI) 89-00537-01	XS	
-		*	H60-1296-08	Carton Box (FI) 89-00537-02	EH	
-		*	H60-1307-08	Carton Box (FI) 89-00537-03	XH	
-		*	T19-0234-08	Speaker Box As 00-00537-00	ESXS	
-		*	T19-0235-08	Speaker Box As 00-00537-01	H	
-		*	T19-0236-08	Speaker Box As 00-00537-02	MS	
602	2A	*	A53-2447-08	Cass Lid Assy 00-00537-06	ES	
602	2A	*	A53-2448-08	Cass Lid Assy 00-00537-08	MSXS	
602	2A	*	A53-2449-08	Cass Lid Assy 00-00537-07	EH	
602	2A	*	A53-2450-08	Cass Lid Assy 00-00537-09	XH	
603	2A	*	K29-8413-08	Volume Knob 51-00537-00		
605	2A	*	B07-2716-08	Volume Ring 49-00537-00		
606	2A	*	G01-4372-08	Cass Door Spri 36-00537-00		
607	2A	*	A53-2446-08	Cass Door Brac 48-00537-00		
608	2A	*	A21-5482-08	Control Panel 60-00537-01	S	
608	2A	*	A21-5483-08	Control Panel 60-00537-03	H	
609	2A	*	B07-2714-08	Knob Ring 43-00537-02	S	
609	2A	*	B07-2715-08	Knob Ring 43-00537-07	S	
613	2A	*	A60-2417-08	Front Cab Assy 00-00537-04	S	
613	2A	*	A60-2418-08	Front Cab Assy 00-00537-05	H	
616	1A	*	K29-8417-08	Power Knob 53-00537-03		
619	1A	*	K29-8418-08	Play Knob 53-00537-04	S	
619	1A	*	K29-8422-08	Play Knob 53-00537-08	H	
620	1A	*	K29-8414-08	Function Knob 53-00537-00		
623	1A	*	B11-1609-08	LCD Filter 43-00537-04		
624	1A	*	B19-1670-08	Light Guide 43-00337-03		
625	1A	*	B11-1610-08	Light Guide Pap68-00337-00		
626	1A	*	J19-6432-08	Light Guide Bra48-00537-01		
631	2A	*	K29-8415-08	Stop/REC Knob 53-00537-01		
632	2B	*	D40-1843-08	Full Logic Deck94-30537-00		
633	2B	*	K29-8416-08	Open/Close Knob53-00537-02		
634	2B	*	K29-8421-08	EQ/Bass Knob 53-00537-07	S	
634	2B	*	K29-8425-08	EQ/Bass Knob 53-00537-11	H	
635	2B	*	K29-8419-08	Prog Knob 53-00537-05	S	
635	2B	*	K29-8423-08	Prog Knob 53-00537-09	H	
636	2A	*	J22-1259-08	Cass LID Latch 55-00005-00		
637	2B	*	K29-8420-08	Demo Knob 53-00537-06	S	
637	2B	*	K29-8424-08	Demo Knob 53-00537-10	H	
638	2B	*	J19-6433-08	Cass LID Latch 55-00005-01		
639	2A	*	G01-4371-08	EM5 Cass Latch 36-00005-02		
640	2A	*	D39-0362-08	Damper Gear B4063-00303-01		
643	2A	*	G11-2961-08	Rubber Foot 81-00155-01D		
644	2C	*	N29-0296-08	UXM6V Locking P84-00006-01		
645	2C	*	J19-6434-08	UXM3 Locking PC84-30000-04		
654	1C	*	A50-1429-08	Right - Side Pa61-30000-10		
656	1C	*	A50-1428-08	Left - Side Pan61-30000-09		
661	2A	*	A29-1244-08	CD Door 66-00537-01	S	

L : Scandinavia    K : USA    P : Canada    R : Mexico    C : China    I : Malaysia  
 Y : PX(Far East,Hawaii)    T : England    E : Europe    G : Germany    V : China(Shanghai)  
 Y : AAFES(Europe)    X : Australia    Q : Russia    H : Korea    M : Other Areas    Δ indicates safety critical components .

\* New Parts  
 Parts without **Parts No.** are not supplied.  
 Les articles non mentionnés dans le **Parts No.** ne sont pas fournis.  
 Teile ohne **Parts No.** werden nicht geliefert.



Ref. No	Add-ress	New Parts	Parts No.	Description	Desti-nation	Re-marks
661	2A	*	A29-1245-08	CD Door 66-00537-03	H	
662	1B	*	D40-1844-08	CD F.L TCP11TK398-00537-00		
663	1C	*	A01-3943-08	Top Cabinet 60-30000-09		
678	1C	*	A80-4494-08	Rear Cabinet 61-50000-07		
Δ 687	2C	*	E30-7342-08	SAA AC Cord 7' 30-00003-11	X	
Δ 687	2C	*	E30-7343-08	AC Power Cord 730-00020-06E	EM	
688	1A	*	T90-0908-08	AM ANT Loop Ae 23-04910-02		
Δ 689	1A	*	E03-0115-05	Main Plug Adapt97-02755-00	MS	
691	1A	*	T90-0918-08	FM ANT Wire#22 29-21400-01G		
692	1A	*	A70-1688-08	Remote Control V-RE-KEN537		
693	2B	*	E35-3739-08	16 Pin CAB UL2025-61080-01T		
Δ TR900		*	L07-3312-08	X' Former EI-7615-00537-02	E	
Δ TR900		*	L07-3313-08	X' Former EI-7615-00537-04	X	
Δ TR900		*	L07-3314-08	X' Former EI-7615-00537-06	M	
<b>ELECTRIC PARTS</b>						
LCD601		*	B38-0274-08	LCD Display 91-00537-00		
LED500		*	B30-2678-08	LED A2 02-20000-06		
LED604,5		*	B30-2680-08	LED A3 mm ORG 02-30337-03	H	
LED604,5		*	B30-2676-08	LED A3 mm Blue 02-30337-08	S	
C1-4		*	CK45FB1H103M	CERAMIC 0.010UF M		
C101		*	CC73GCH1H101J	CHIP C 100PF J		
C102		*	CK73GB1H103K	CHIP C 0.010UF K		
C103		*	CK73GB1H223K	CHIP C 0.022UF K		
C104		*	CE04LW1C330M	ELECTRO 33UF 16WV		
C105		*	CC73GCH1H020C	CHIP C 2.0PF C		
C106		*	CK73GB1H223K	CHIP C 0.022UF K		
C107		*	CE04LW1C471M	ELECTRO 470UF 16WV		
C108		*	CK73GB1H104K	CHIP C 0.10UF K		
C109		*	CE04LW1H010M	ELECTRO 1.0UF 50WV		
C110		*	CC73GCH1H471J	CHIP C 470PF J		
C111		*	CE04LW1H010M	ELECTRO 1.0UF 50WV		
C112		*	CK45FB1H151K	CERAMIC 150PF K		
C113		*	CE04LW1HR47M	ELECTRO 0.47UF 50WV		
C114		*	CE04LW1H010M	ELECTRO 1.0UF 50WV		
C115		*	CE04LW1H0R1M	ELECTRO 0.1UF 50WV		
C116		*	CC45FSL1H300J	CERAMIC 30PF J	E	
C117		*	CK45FB1H103M	CERAMIC 0.010UF M		
C119		*	CK45FB1H102K	CERAMIC 1000PF K		
C120,121		*	CC73GCH1H220J	CHIP C 22PF J		
C123,124		*	CK73GB1H223K	CHIP C 0.022UF K		
C125		*	CC73GCH1H030C	CHIP C 3.0PF C		
C126		*	CC73GCH1H200J	CHIP C 20PF J		
C127		*	C91-1685-08	FILM C 390PF J		
C128		*	CC73GCH1H470J	CHIP C 47PF J		
C129		*	CK73GB1H223K	CHIP C 0.022UF K		
C130		*	CE04LW1H010M	ELECTRO 1.0UF 50WV		
C131		*	CE04LW1C471M	ELECTRO 470UF 16WV		
C132,133		*	CK73GB1H104K	CHIP C 0.10UF K		
C134		*	CE04LW1C220M	ELECTRO 22UF 16WV		
C135		*	CE04LW1C221M	ELECTRO 220UF 16WV		
C136		*	CK73GB1H223K	CHIP C 0.022UF K		
C139		*	CE04LW1C470M	ELECTRO 47UF 16WV		
C140,141		*	CK73GB1H223K	CHIP C 0.022UF K		
C142		*	CE04LW1H3R3M	ELECTRO 3.3UF 50WV		

L : Scandinavia    K : USA    P : Canada    R : Mexico    C : China    I : Malaysia  
 Y : PX(Far East,Hawaii)    T : England    E : Europe    G : Germany    V : China(Shanghai)  
 Y : AAFES(Europe)    X : Australia    Q : Russia    H : Korea    M : Other Areas    Δ indicates safety critical components .

\* New Parts

Parts without **Parts No.** are not supplied.  
Les articles non mentionnés dans le **Parts No.** ne sont pas fournis.  
Teile ohne **Parts No.** werden nicht geliefert.

3

Ref. No	Add-ress	New Parts	Parts No.	Description	Desti-nation	Re-marks
C143			CK73GB1H223K	CHIP C 0.022UF K		
C144			CE04LW1H010M	ELECTRO 1.0UF 50WV		
C145,146			CC73GCH1H300J	CHIP C 30PF J		
C147			CK73GB1H223K	CHIP C 0.022UF K		
C148			CE04LW1C101M	ELECTRO 100UF 16WV		
C149			CK73GB1H223K	CHIP C 0.022UF K		
C150			CK45FB1H102K	CERAMIC 1000PF K		
C151,152			CK73GB1H103K	CHIP C 0.010UF K		
C153,154			CE04LW1H4R7M	ELECTRO 4.7UF 50WV		
C155			CK73GB1H103K	CHIP C 0.010UF K		
C161,162			CK73GB1H682K	CHIP C 6800PF K		
C163,164			CC73GCH1H101J	CHIP C 100PF J		
C165			CK73GB1H104K	CHIP C 0.10UF K		
C167			CK73GB1H223K	CHIP C 0.022UF K		
C169			CC73GCH1H101J	CHIP C 100PF J		
C170			CE04LW1C101M	ELECTRO 100UF 16WV	E	
C171			CC73GCH1H470J	CHIP C 47PF J	E	
C172			CC73GCH1H020C	CHIP C 2.0PF C	E	
C173			CC73GCH1H470J	CHIP C 47PF J	E	
C174			CE04LW1C101M	ELECTRO 100UF 16WV	E	
C175		*	C91-1687-08	CERAMIC 560PF J	E	
C176			CE04LW1H2R2M	ELECTRO 2.2UF 50WV	E	
C177			CE04LW1C101M	ELECTRO 100UF 16WV	E	
C178			CK73GB1H223K	CHIP C 0.022UF K	E	
C188			CK73GB1H102K	CHIP C 1000PF K	E	
C201			CC73GCH1H470J	CHIP C 47PF J		
C202			CK73GB1H102K	CHIP C 1000PF K		
C203			CE04LW1H4R7M	ELECTRO 4.7UF 50WV		
C204			CE04LW1C221M	ELECTRO 220UF 16WV		
C205,206			CK73GB1H102K	CHIP C 1000PF K		
C220,221			CK45FB1H151K	CERAMIC 150PF K		
C222			CC73GCH1H470J	CHIP C 47PF J		
C223			CK45FB1H102K	CERAMIC 1000PF K		
C224			CE04LW1H4R7M	ELECTRO 4.7UF 50WV		
C235			CE04LW1C221M	ELECTRO 220UF 16WV		
C236			CK73GB1H223K	CHIP C 0.022UF K		
C238			CE04LW1C100M	ELECTRO 10UF 16WV		
C239			CK45FB1H102K	CERAMIC 1000PF K		
C240		*	C91-1688-08	MYLAR 0.018UF K		
C241,242		*	C91-1689-08	MYLAR 0.001UF K		
C243			CE04KW1C471M	ELECTRO 470UF 16WV		
C245			CK73GB1H223K	CHIP C 0.022UF K		
C250			CK73GB1H223K	CHIP C 0.022UF K		
C252			CK73GB1H223K	CHIP C 0.022UF K		
C255,256			CK73GB1H221K	CHIP C 220PF K		
C257,258			CE04LW1C101M	ELECTRO 100UF 16WV		
C259,260			CK73GB1H183K	CHIP C 0.018UF K		
C261,262			CE04LW1H4R7M	ELECTRO 4.7UF 50WV		
C263			CE04LW1C330M	ELECTRO 33UF 16WV		
C264,265			CE04LW1C470M	ELECTRO 47UF 16WV		
C266			CK73GB1H221K	CHIP C 220PF K		
C267			CK73GB1H102K	CHIP C 1000PF K		
C268			CK73GB1H221K	CHIP C 220PF K		
C269			CK73GB1H102K	CHIP C 1000PF K		
C270,271			CE04LW1H4R7M	ELECTRO 4.7UF 50WV		

L : Scandinavia K : USA P : Canada R : Mexico C : China I : Malaysia  
Y : PX(Far East,Hawaii) T : England E : Europe G : Germany V : China(Shanghai)  
Y : AAFES(Europe) X : Australia Q : Russia H : Korea M : Other Areas Δ indicates safety critical components .

\* New Parts

Parts without **Parts No.** are not supplied.  
Les articles non mentionnés dans le **Parts No.** ne sont pas fournis.  
Teile ohne **Parts No.** werden nicht geliefert.

4

Ref. No	Add-ress	New Parts	Parts No.	Description	Desti-nation	Re-marks
C272			CE04LW1C470M	ELECTRO 47UF 16WV		
C291			CK73GB1H223K	CHIP C 0.022UF K		
C302			CE04LW1C221M	ELECTRO 220UF 16WV		
C303-306			CK73GB1C105K	CHIP C 1.0UF K		
C309-312			CK73GB1C105K	CHIP C 1.0UF K		
C313,314			CC73GCH1H470J	CHIP C 47PF J		
C315,316			CK73GB1C105K	CHIP C 1.0UF K		
C317-320			C90-5820-08	CHIP C 0.47UF K		
C321,322			CE04LW1HR33M	ELECTRO 0.33UF 50WV		
C323,324			CK73GB1H102K	CHIP C 1000PF K		
C325			CE04LW1C221M	ELECTRO 220UF 16WV		
C326			CK73GB1H104K	CHIP C 0.10UF K		
C327,328			CE04LW1C221M	ELECTRO 220UF 16WV		
C330			CE04LW1C470M	ELECTRO 47UF 16WV		
C331			CE04LW1C221M	ELECTRO 220UF 16WV		
C332			CE04LW1C100M	ELECTRO 10UF 16WV		
C339			CK73GB1C105K	CHIP C 1.0UF K		
C340			CE04LW1E222M	ELECTRO 2200UF 25WV		
C363,364			CK73GB1H102K	CHIP C 1000PF K		
C403			CK73GB1H221K	CHIP C 220PF K	E	
C404			CK73GB1H221K	CHIP C 220PF K	E	
C405,406			CE04LW1H471K	CHIP C 470PF K	E	
C410,411			CK73GB1C105K	CHIP C 1.0UF K		
C412,413			CC73GCH1H101J	CHIP C 100PF J		
C414			CK73GB1H221K	CHIP C 220PF K		
C415,416			CE04LW1H101M	ELECTRO 100UF 50WV		
C417			CC73GCH1H030C	CHIP C 3.0PF C		
C418			CE04LW1V222M	ELECTRO 2200UF 35WV		
C419			CK73GB1H221K	CHIP C 220PF K		
C420			CE04LW1H101M	ELECTRO 100UF 50WV		
C421			CC73GCH1H030C	CHIP C 3.0PF C		
C428			CE04LW1H101M	ELECTRO 100UF 50WV		
C429			C91-1681-08	FILM 0.1UF K		
C435			CK73GB1C105K	CHIP C 1.0UF K		
C437			CK73GB1C105K	CHIP C 1.0UF K		
C440			CE04LW1H2R2M	ELECTRO 2.2UF 50WV		
C441			CE04LW1C101M	ELECTRO 100UF 16WV		
C442			CK73GB1C105K	CHIP C 1.0UF K		
C444			CE04LW1C101M	ELECTRO 100UF 16WV		
C445			CE04LW1V222M	ELECTRO 2200UF 35WV		
C446			CE04LW1C221M	ELECTRO 220UF 16WV		
C447			CE04LW1H4R7M	ELECTRO 4.7UF 50WV		
C448			CK73GB1C105K	CHIP C 1.0UF K		
C449,450			CK73GB1H102K	CHIP C 1000PF K		
C451			CK73GB1H103K	CHIP C 0.010UF K		
C453			CK73GB1H102K	CHIP C 1000PF K		
C455			CK73GB1H223K	CHIP C 0.022UF K		
C457			CK73GB1C105K	CHIP C 1.0UF K		
C460			CK73GB1C105K	CHIP C 1.0UF K		
C461			CE04LW1H4R7M	ELECTRO 4.7UF 50WV		
C463			CE04LW1C101M	ELECTRO 100UF 16WV		
C465			C91-1681-08	FILM 0.1UF K		
C477			CK73GB1H222K	CHIP C 2200PF K		
C479,480			CC73GCH1H101J	CHIP C 100PF J		
C601			CE04LW1C470M	ELECTRO 47UF 16WV		

L : Scandinavia K : USA P : Canada R : Mexico C : China I : Malaysia  
Y : PX(Far East,Hawaii) T : England E : Europe G : Germany V : China(Shanghai)  
Y : AAFES(Europe) X : Australia Q : Russia H : Korea M : Other Areas Δ indicates safety critical components .

PARTS LIST

RXD-M57MP



\* New Parts  
Parts without Parts No. are not supplied.  
Les articles non mentionnés dans le Parts No. ne sont pas fournis.  
Teile ohne Parts No. werden nicht geliefert.

5

Table with columns: Ref. No, Add-ress, New Parts, Parts No., Description, Destination, Re-marks. Contains multiple rows of part specifications including CE04LW1A221M, CK73GB1H223K, etc.

\* New Parts  
Parts without Parts No. are not supplied.  
Les articles non mentionnés dans le Parts No. ne sont pas fournis.  
Teile ohne Parts No. werden nicht geliefert.

6

Table with columns: Ref. No, Add-ress, New Parts, Parts No., Description, Destination, Re-marks. Contains multiple rows of part specifications including CE04LW1C470M, CK73GB1H223K, etc.

L : Scandinavia K : USA P : Canada R : Mexico C : China I : Malaysia  
Y : PX(Far East,Hawaii) T : England E : Europe G : Germany V : China(Shanghai)  
AAAFES(Europe) X : Australia Q : Russia H : Korea M : Other Areas Δ indicates safety critical components .

L : Scandinavia K : USA P : Canada R : Mexico C : China I : Malaysia  
Y : PX(Far East,Hawaii) T : England E : Europe G : Germany V : China(Shanghai)  
Y : AAFFS(Europe) X : Australia Q : Russia H : Korea M : Other Areas Δ indicates safety critical components .

\* New Parts

Parts without **Parts No.** are not supplied.

Les articles non mentionnés dans le **Parts No.** ne sont pas fournis.

Teile ohne **Parts No.** werden nicht geliefert.

7

Ref. No	Address	New Parts	Parts No.	Description	Destination	Remarks
CF105		*	L79-1304-08	Ceramic Filter 09-50107-20J		
CN601,2		*	L92-0821-08	Ferrite Core T108-04344-21		
CN607		*	L92-0821-08	Ferrite Core T108-04344-21		
CN700		*	L92-0812-08	Ferrite Core T108-04344-99		
L102		*	E35-3714-08	10 mm IFT RED 108-01014-02		
L103		*	L32-1062-08	AM ANT Coil OA108-86436-70		
L104		*	L32-1066-08	7 mm FM DET 11408-73995-00		
L105		*	L92-0814-08	Inductor 10 mH-L92-0814-08T	E	
L108		*	L92-0815-08	Axial Lead Indu09-70102-02T		
L201,202		*	L33-1704-08	Choke Coil 47 m09-40474-00W		
L203		*	L32-1067-08	Bias OSC Coil 708-07163-00		
L301		*	L92-0816-08	Axial Inductor 09-70222-03T		
L403,404		*	L33-1690-08	Choke Coil 8 mH09-40080-00W		
L405,406		*	L92-0822-08	Ferrite Coil 4T08-04344-40		
L407		*	L33-1690-08	Choke Coil 8 mH (WLF-800081)		
L408		*	L92-0822-08	Ferrite Coil 4T(3.5X3X1.3)		
L409		*	L33-1690-08	Choke Coil 8 mH (WLF-800081)		
L412,413		*	L92-0823-08	TWP9-3R9M 3.9 m09-00390-05		
L602		*	L92-0824-08	Axial Lead Indu09-70221-00C		
L701,702		*	L92-0825-08	Lead Free Axial09-70471-80		
L703,704		*	L92-0814-08	Inductor 10 mH-L92-0814-08T		
L706-709		*	L92-0825-08	Lead Free Axial09-70471-80		
L710		*	L33-1689-08	Choke Coil W/Ma09-01000-01		
Δ L901		*	L33-1703-08	Lead Free Commo09-00400-00O		
T101		*	L30-0992-08	AM IFT A010-86508-05200-00		
Δ TR901		*	L07-3304-08	HM337 X'Former 15-00337-05	EM	
Δ TR901		*	L07-3305-08	HM337 X'Former 15-00337-07	X	
X101		*	L77-2436-08	Crystal 7.2 MHz04-07200-05D	E	
X102		*	L77-2435-08	Crystal 4.332 M04-04332-06		
X601		*	L77-2436-08	Crystal 7.2 MHz04-07200-05D		
X602		*	L77-2438-08	Crystal 3 X 8 m04-32768-09		
X701		*	L77-2437-08	Crystal 16.934404-16934-49		
R1-5			RK73GB1J000J	CHIP R 0 J 1/16W		
R102			RK73GB1J124J	CHIP R 120K J 1/16W		
R106			RK73GB1J101J	CHIP R 100 J 1/16W		
R107			RK73GB1J103J	CHIP R 10K J 1/16W		
R108			RK73GB1J223J	CHIP R 22K J 1/16W		
R110,111			RK73GB1J183J	CHIP R 18K J 1/16W		
R113			RK73GB1J102J	CHIP R 1.0K J 1/16W		
R114			RK73GB1J223J	CHIP R 22K J 1/16W		
R115			RK73GB1J104J	CHIP R 100K J 1/16W		
R116			RK73GB1J104J	CHIP R 100K J 1/16W	E	
R117			RK73GB1J102J	CHIP R 1.0K J 1/16W		
R118-120			RK73GB1J103J	CHIP R 10K J 1/16W		
R122			RK73GB1J104J	CHIP R 100K J 1/16W		
R123			RK73GB1J101J	CHIP R 100 J 1/16W		
R124			RK73GB1J223J	CHIP R 22K J 1/16W		
R125			RK73GB1J472J	CHIP R 4.7K J 1/16W		
R126			RK73GB1J103J	CHIP R 10K J 1/16W		
R129			RK73GB1J563J	CHIP R 56K J 1/16W		
R133			RK73GB1J473J	CHIP R 47K J 1/16W		
R134			RK73GB1J152J	CHIP R 1.5K J 1/16W		
R139			RK73GB1J102J	CHIP R 1.0K J 1/16W		
R140,141			RK73GB1J152J	CHIP R 1.5K J 1/16W		

L: Scandinavia K: USA P: Canada R: Mexico C: China I: Malaysia  
 Y: PX(Far East,Hawaii) T: England E: Europe G: Germany V: China(Shanghai)  
 Y: AAFES(Europe) X: Australia Q: Russia H: Korea M: Other Areas Δ indicates safety critical components.

\* New Parts

Parts without **Parts No.** are not supplied.

Les articles non mentionnés dans le **Parts No.** ne sont pas fournis.

Teile ohne **Parts No.** werden nicht geliefert.

8

Ref. No	Address	New Parts	Parts No.	Description	Destination	Remarks
R142			RK73GB1J561J	CHIP R 560 J 1/16W		
R143			RK73GB1J103J	CHIP R 10K J 1/16W		
R148,149			RK73GB1J103J	CHIP R 10K J 1/16W		
R150			RK73GB1J104J	CHIP R 100K J 1/16W		
R153,154			RK73GB1J103J	CHIP R 10K J 1/16W		
R157			RK73GB1J394J	CHIP R 390K J 1/16W		
R159			RK73GB1J272J	CHIP R 2.7K J 1/16W		
R160			RK73GB1J151J	CHIP R 150 J 1/16W		
R161,162			RK73GB1J512J	CHIP R 5.1K J 1/16W		
R165,166			RK73GB1J332J	CHIP R 3.3K J 1/16W		
R174			RK73GB1J472J	CHIP R 4.7K J 1/16W		
R179			RK73GB1J684J	CHIP R 680K J 1/16W		
R201			RK73GB1J183J	CHIP R 18K J 1/16W		
R202			RK73GB1J104J	CHIP R 100K J 1/16W		
R204,205			RK73GB1J680J	CHIP R 68 J 1/16W		
R206,207			RK73GB1J682J	CHIP R 6.8K J 1/16W		
R210			RK73GB1J000J	CHIP R 0 J 1/16W		
R211,212			CK73GB1H102K	CHIP C 1000PF K		
R213			RK73GB1J472J	CHIP R 4.7K J 1/16W		
R214			RK73GB1J104J	CHIP R 100K J 1/16W		
R215,216			RK73GB1J221J	CHIP R 220 J 1/16W		
R218,219			RK73GB1J124J	CHIP R 120K J 1/16W		
R226			RK73GB1J104J	CHIP R 100K J 1/16W		
R227			RK73GB1J103J	CHIP R 10K J 1/16W		
R228			RK73GB1J105J	CHIP R 1.0M J 1/16W		
R235			RK73GB1J102J	CHIP R 1.0K J 1/16W		
R236			RK73GB1J472J	CHIP R 4.7K J 1/16W		
R238			RK73GB1J681J	CHIP R 680 J 1/16W		
R243			RK73GB1J103J	CHIP R 10K J 1/16W		
R244			RK73GB1J104J	CHIP R 100K J 1/16W		
R245			RK73GB1J103J	CHIP R 10K J 1/16W		
R247			RK73GB1J103J	CHIP R 10K J 1/16W		
R250			RK73GB1J223J	CHIP R 22K J 1/16W		
R251			RK73GB1J104J	CHIP R 100K J 1/16W		
R253			RK73GB1J000J	CHIP R 0 J 1/16W		
R259			RK73GB1J223J	CHIP R 22K J 1/16W		
R261			RK73GB1J104J	CHIP R 100K J 1/16W		
R262			RK73GB1J103J	CHIP R 10K J 1/16W		
R264			RK73GB1J103J	CHIP R 10K J 1/16W		
R265			RK73GB1J223J	CHIP R 22K J 1/16W		
R266			RK73GB1J103J	CHIP R 10K J 1/16W		
R267			RK73GB1J104J	CHIP R 100K J 1/16W		
R301			RK73GB1J680J	CHIP R 68 J 1/16W		
R302			RK73GB1J471J	CHIP R 470 J 1/16W		
R303			RK73GB1J394J	CHIP R 390K J 1/16W		
R304			RK73GB1J561J	CHIP R 560 J 1/16W		
R307			RK73GB1J471J	CHIP R 470 J 1/16W		
R308			RK73GB1J394J	CHIP R 390K J 1/16W		
R310			RK73GB1J561J	CHIP R 560 J 1/16W		
R312			RK73GB1J472J	CHIP R 4.7K J 1/16W		
Δ R314			RD14BB2E100J	RD 10 J 1/4W		
R315			RK73GB1J561J	CHIP R 560 J 1/16W		
R318			RK73GB1J220J	CHIP R 22 J 1/16W		
R319			RD14BB2H680J	RD 68 J 1/2W		
R333			RK73GB1J104J	CHIP R 100K J 1/16W		

L: Scandinavia K: USA P: Canada R: Mexico C: China I: Malaysia  
 Y: PX(Far East,Hawaii) T: England E: Europe G: Germany V: China(Shanghai)  
 Y: AAFES(Europe) X: Australia Q: Russia H: Korea M: Other Areas Δ indicates safety critical components.

PARTS LIST

RXD-M57MP

\* New Parts  
 Parts without **Parts No.** are not supplied.  
 Les articles non mentionnés dans le **Parts No.** ne sont pas fournis.  
 Teile ohne **Parts No.** werden nicht geliefert.



Ref. No	Add-res	New Parts	Parts No.	Description	Desti-nation	Re-marks
R334			RK73GB1J681J	CHIP R 680 J 1/16W		
R335			RK73GB1J104J	CHIP R 100K J 1/16W		
R351,352			RK73GB1J472J	CHIP R 4.7K J 1/16W		
R403			RK73GB1J000J	CHIP R 0 J 1/16W		
R404,405			RK73GB1J103J	CHIP R 10K J 1/16W		
R414,415			RK73GB1J333J	CHIP R 33K J 1/16W		
R417			RK73GB1J000J	CHIP R 0 J 1/16W		
R418,419			RK73GB1J563J	CHIP R 56K J 1/16W		
R420			RK73GB1J152J	CHIP R 1.5K J 1/16W		
R423,424		*	R92-4670-08	FL-PROOF RS 0.27 J 2W		
R425			RK73GB1J103J	CHIP R 10K J 1/16W		
R427			RK73GB1J152J	CHIP R 1.5K J 1/16W		
R429			RK73GB1J102J	CHIP R 1.0K J 1/16W		
R432,433			RK73GB1J563J	CHIP R 56K J 1/16W		
R434			RK73GB1J102J	CHIP R 1.0K J 1/16W		
R440			RK73GB1J683J	CHIP R 68K J 1/16W		
R448			RK73GB1J104J	CHIP R 100K J 1/16W		
R449,450		*	R92-4670-08	FL-PROOF RS 0.27 J 2W		
R452			RK73GB1J223J	CHIP R 22K J 1/16W		
R453			RK73GB1J102J	CHIP R 1.0K J 1/16W		
R454			RK73GB1J000J	CHIP R 0 J 1/16W		
R455			RK73GB1J103J	CHIP R 10K J 1/16W		
R457			RK73GB1J103J	CHIP R 10K J 1/16W		
R458			RK73GB1J393J	CHIP R 39K J 1/16W		
R459			RK73GB1J103J	CHIP R 10K J 1/16W		
R461-464			RD14BB2H4R7J	RD 4.7 J 1/2W		
R465			RK73GB1J472J	CHIP R 4.7K J 1/16W		
R467			RK73GB1J000J	CHIP R 0 J 1/16W		
R469			RK73GB1J472J	CHIP R 4.7K J 1/16W		
R478			RK73GB1J103J	CHIP R 10K J 1/16W		
R479			RK73GB1J473J	CHIP R 47K J 1/16W		
R480			RK73GB1J332J	CHIP R 3.3K J 1/16W		
R482,483			RK73GB1J103J	CHIP R 10K J 1/16W		
R484			RK73GB1J472J	CHIP R 4.7K J 1/16W		
R485			RK73GB1J103J	CHIP R 10K J 1/16W		
R491			RK73GB1J104J	CHIP R 100K J 1/16W		
R492			RK73GB1J000J	CHIP R 0 J 1/16W		
R495			RK73GB1J104J	CHIP R 100K J 1/16W		
R500			RK73GB1J750J	CHIP R 75 J 1/16W		
R501			RK73GB1J471J	CHIP R 470 J 1/16W		
R502			RK73GB1J681J	CHIP R 680 J 1/16W		
R503			RK73GB1J821J	CHIP R 820 J 1/16W		
R504			RK73GB1J102J	CHIP R 1.0K J 1/16W		
R505			RK73GB1J272J	CHIP R 2.7K J 1/16W		
R506			RK73GB1J182J	CHIP R 1.8K J 1/16W		
R507			RK73GB1J223J	CHIP R 22K J 1/16W		
R508			RK73GB1J561J	CHIP R 560 J 1/16W		
R509			RK73GB1J390J	CHIP R 39 J 1/16W		
R510			RK73GB1J153J	CHIP R 15K J 1/16W		
R511			RK73GB1J273J	CHIP R 27K J 1/16W		
R512			RK73GB1J750J	CHIP R 75 J 1/16W		
R513			RK73GB1J471J	CHIP R 470 J 1/16W		
R514			RK73GB1J152J	CHIP R 1.5K J 1/16W		
R515			RK73GB1J102J	CHIP R 1.0K J 1/16W		
R516			RK73GB1J272J	CHIP R 2.7K J 1/16W		

L : Scandinavia K : USA P : Canada R : Mexico C : China I : Malaysia  
 Y : PX(Far East,Hawaii) T : England E : Europe G : Germany V : China(Shanghai)  
 AA:AFES(Europe) X : Australia Q : Russia H : Korea M : Other Areas  $\Delta$  indicates safety critical components .

\* New Parts  
 Parts without **Parts No.** are not supplied.  
 Les articles non mentionnés dans le **Parts No.** ne sont pas fournis.  
 Teile ohne **Parts No.** werden nicht geliefert.



Ref. No	Add-res	New Parts	Parts No.	Description	Desti-nation	Re-marks
R517			RK73GB1J182J	CHIP R 1.8K J 1/16W		
R518			RK73GB1J222J	CHIP R 2.2K J 1/16W		
R519			RK73GB1J392J	CHIP R 3.9K J 1/16W		
R520			RK73GB1J562J	CHIP R 5.6K J 1/16W		
R521			RK73GB1J822J	CHIP R 8.2K J 1/16W		
R522			RK73GB1J153J	CHIP R 15K J 1/16W		
R523			RK73GB1J273J	CHIP R 27K J 1/16W		
R524			RK73GB1J272J	CHIP R 2.7K J 1/16W		
R601			RK73GB1J473J	CHIP R 47K J 1/16W		
R602			RK73GB1J103J	CHIP R 10K J 1/16W		
R603,604			RK73GB1J102J	CHIP R 1.0K J 1/16W		
R611			RK73GB1J000J	CHIP R 0 J 1/16W		
R616			RK73GB1J103J	CHIP R 10K J 1/16W		
R618			RK73GB1J103J	CHIP R 10K J 1/16W		
R620			RK73GB1J103J	CHIP R 10K J 1/16W		
R621			RK73GB1J220J	CHIP R 22 J 1/16W		
R623			RK73GB1J473J	CHIP R 47K J 1/16W		
R628			RK73GB1J470J	CHIP R 47 J 1/16W		
R631			RK73GB1J102J	CHIP R 1.0K J 1/16W		
R634,635			RK73GB1J103J	CHIP R 10K J 1/16W		
R638			RK73GB1J100J	CHIP R 10 J 1/16W		
R639			RK73GB1J332J	CHIP R 3.3K J 1/16W		
R642			RK73GB1J103J	CHIP R 10K J 1/16W		
R643,644			RK73GB1J682J	CHIP R 6.8K J 1/16W		
R645			RK73GB1J103J	CHIP R 10K J 1/16W		
R646			RK73GB1J154J	CHIP R 150K J 1/16W		
R647-650			RK73GB1J103J	CHIP R 10K J 1/16W		
R653,654			RK73GB1J270J	CHIP R 27 J 1/16W		
R655			RK73GB1J680J	CHIP R 68 J 1/16W		
R655			RK73GB1J102J	CHIP R 1.0K J 1/16W		
R656			RK73GB1J104J	CHIP R 100K J 1/16W		
R657			RK73GB1J202J	CHIP R 2.0K J 1/16W		
R658			RK73GB1J104J	CHIP R 100K J 1/16W		
R661			RK73GB1J103J	CHIP R 10K J 1/16W		
R700			RS14DB2H6R8J	FL-PROOF RS 6.8 J 1/2W		
R701-704			RK73GB1J221J	CHIP R 220 J 1/16W		
R705,706			RK73GB1J302J	CHIP R 3.0K J 1/16W		
R709-715			RK73GB1J103J	CHIP R 10K J 1/16W		
R717			RK73GB1J101J	CHIP R 100 J 1/16W		
R719			RK73GB1J271J	CHIP R 270 J 1/16W		
R720			RK73GB1J511J	CHIP R 510 J 1/16W		
R721-725			RK73GB1J332J	CHIP R 3.3K J 1/16W		
R729			RK73GB1J224J	CHIP R 220K J 1/16W		
R730			RK73GB1J683J	CHIP R 68K J 1/16W		
R731			RK73GB1J103J	CHIP R 10K J 1/16W		
R732			RK73GB1J332J	CHIP R 3.3K J 1/16W		
R733			RK73GB1J473J	CHIP R 47K J 1/16W		
R734			RK73GB1J511J	CHIP R 510 J 1/16W		
R735-737			RK73GB1J103J	CHIP R 10K J 1/16W		
R738			RK73GB1J102J	CHIP R 1.0K J 1/16W		
R739			RK73GB1J103J	CHIP R 10K J 1/16W		
R741			RK73GB1J103J	CHIP R 10K J 1/16W		
R742			RK73GB1J101J	CHIP R 100 J 1/16W		
R749			RK73GB1J103J	CHIP R 10K J 1/16W		
R751			RK73GB1J103J	CHIP R 10K J 1/16W		

L : Scandinavia K : USA P : Canada R : Mexico C : China I : Malaysia  
 Y : PX(Far East,Hawaii) T : England E : Europe G : Germany V : China(Shanghai)  
 AA:AFES(Europe) X : Australia Q : Russia H : Korea M : Other Areas  $\Delta$  indicates safety critical components .

S H

\* New Parts

Parts without Parts No. are not supplied.

Les articles non mentionnés dans le Parts No. ne sont pas fournis.

Teile ohne Parts No. werden nicht geliefert.



Ref. No	Address	New Parts	Parts No.	Description	Destination	Remarks
R754			RK73GB1J225J	CHIP R 2.2M J 1/16W		
R755			RK73GB1J103J	CHIP R 10K J 1/16W		
R757,758			RK73GB1J271J	CHIP R 270 J 1/16W		
R760-772			RK73GB1J103J	CHIP R 10K J 1/16W		
R774-780			RK73GB1J103J	CHIP R 10K J 1/16W		
R781			RK73GB1J102J	CHIP R 1.0K J 1/16W		
R782			RK73GB1J273J	CHIP R 27K J 1/16W		
R783			RK73GB1J222J	CHIP R 2.2K J 1/16W		
R784			RK73GB1J473J	CHIP R 47K J 1/16W		
R785			RK73GB1J221J	CHIP R 220 J 1/16W		
R786			RK73GB1J823J	CHIP R 82K J 1/16W		
R787,788			RK73GB1J103J	CHIP R 10K J 1/16W		
R789			RK73GB1J823J	CHIP R 82K J 1/16W		
R790			RK73GB1J100J	CHIP R 10 J 1/16W		
R791-794			RK73GB1J103J	CHIP R 10K J 1/16W		
R799			RK73GB1J562J	CHIP R 5.6K J 1/16W		
R800,801			RK73GB1J103J	CHIP R 10K J 1/16W		
R802			RK73GB1J104J	CHIP R 100K J 1/16W		
R803			RK73GB1J102J	CHIP R 1.0K J 1/16W		
R805			RD14BB2H100J	RD 10 J 1/2W		
R806			RK73GB1J221J	CHIP R 220 J 1/16W		
R807,808			RK73GB1J102J	CHIP R 1.0K J 1/16W		
R810			RK73GB1J222J	CHIP R 2.2K J 1/16W		
R811			RK73GB1J153J	CHIP R 15K J 1/16W		
R813			RK73GB1J103J	CHIP R 10K J 1/16W		
R814			RK73GB1J221J	CHIP R 220 J 1/16W		
R815-817			RK73GB1J220J	CHIP R 22 J 1/16W		
R818,819			RK73GB1J123J	CHIP R 12K J 1/16W		
R823-825			RK73GB1J103J	CHIP R 10K J 1/16W		
R826			RS14GB3A101J	FL-PROOF RS 100 J 1W		
R908,909		*	R92-4676-08	FL-PROOF RS 220 J 5W		
Δ RL401		*	S76-0145-08	Lead Free Relay16-50212-00		
Δ RL901		*	S76-0144-08	Relay Switch SD16-50101-01		
Δ SW19		*	T99-0694-08	E.L Volume 162118-72102-01		
Δ SW500-517		*	S70-0116-08	Tact Switch EVQ16-10101-08C		
Δ SW900		*	S62-0124-08	Voltage SW. SL116-10212-00	M	
D101-104			1SS133	Diode 1SS-133TP02-00133-00		
D105			SVC348T	Tuning Diode SV02-00348-01		
D106			1SS133	Diode 1SS-133TP02-00133-00		
D108			1SS133	Diode 1SS-133TP02-00133-00		
D201			1SS133	Diode 1SS-133TP02-00133-00		
D401			1SS133	Diode 1SS-133TP02-00133-00		
D409-411			1SS133	Diode 1SS-133TP02-00133-00		
D601,602			1N4148	Diode 1N4148 02-04148-00W		
D603			1SS133	Diode 1SS-133TP02-00133-00		
D604-608			1N4148	Diode 1N4148 02-04148-00W		
D702,703			1SS133	Diode 1SS-133TP02-00133-00		
Δ Δ D901-908			1N4001	Diode 1N4001 02-04001-00		
Δ D909-912			1N5402	Diode 1N5402-F 02-05402-00		
Δ Δ D913-916			1N4001	Diode 1N4001 02-04001-00		
D917			1N4148	Diode 1N4148 02-04148-00W		
IC101			TA2099N	IC(AM/FM SYSTEM IC)2099-00		
IC102			TC9257F	IC TC9257F 03-09257-01		
IC103			BU1923F	RDS Demodulator03-01923-00	E	

L : Scandinavia K : USA P : Canada R : Mexico C : China I : Malaysia  
 Y : PX(Far East,Hawaii) T : England E : Europe G : Germany V : China(Shanghai)  
 Y : AAFES(Europe) X : Australia Q : Russia H : Korea M : Other Areas Δ indicates safety critical components .

\* New Parts

Parts without Parts No. are not supplied.

Les articles non mentionnés dans le Parts No. ne sont pas fournis.

Teile ohne Parts No. werden nicht geliefert.



Ref. No	Address	New Parts	Parts No.	Description	Destination	Remarks
Δ IC201			UPC1330HA	IC(2CH HEAD SWITCHING)0-00		
IC202			TA8142AP	IC TA8142AP Tos03-08142-00		
IC301			TC9422F	IC TC9422F TOSH03-09422-00		
Δ IC302			NJM7812A	IC NJM7812A 'JR03-07812-00		
IC401		*	LM4809MM	IC LM4809MM MSO03-04809-00		
Δ IC402			STK402-030	IC(2CH AF POWER AMP)020-00		
IC501			RPM6938-V4	Sensor RPM6938-02-66938-00		
IC601		*	87EP26F-4K76	CPU TMP 87EP 03-87261-00		
IC700		*	TC94A02F-007	IC TC94A02F-00703-09402-01		
IC701			TC9462F	IC TC9462F 03-09462-00		
IC702			TA7291S	IC(BRIDGE DRIVER)-07291-00		
IC703			TA2092N	IC TA2092N TOSH03-02092-00		
IC704			TA2153FN	IC TA2153FN Tos03-02153-00		
IC705		*	AS7C31024-15	IC AS7C31024-1503-31024-00		
IC706		*	MC74HC14AD	IC MC74HC14AD 03-07414-01		
Δ IC707			NJM7805FA	IC(VOLTAGE REGULATOR)05-02		
Δ ICP900			ICP-N20	IC(PROTECT)r IC03-00020-00R		
Q101		*	9018	Transistor 901801-09018-10	E	
Q102,103			8550	Transistor 855001-08550-06		
Q104			9014	Transistor 901401-09014-05		
Q105-107			9013G	Transistor 901301-09013-11B		
Q109-112			9013G	Transistor 901301-09013-11B		
Q113			8550	Transistor 855001-08550-06		
Q114			9013G	Transistor 901301-09013-11B		
Q115			9014	Transistor 901401-09014-05		
Q204			9013G	Transistor 901301-09013-11B		
Q205			8050	Transistor 805001-08050-06		
Q208			8050	Transistor 805001-08050-06		
Q209			9013G	Transistor 901301-09013-11B		
Q210			8050	Transistor 805001-08050-06		
Q211			8550	Transistor 855001-08550-06		
Q212-214			9013G	Transistor 901301-09013-11B		
Q215			8550	Transistor 855001-08550-06		
Q216,217			9013G	Transistor 901301-09013-11B		
Q301,302			9014	Transistor 901401-09014-05		
Δ Q303,304			2SC1383R	Transistor 2SC101-01383-18B		
Q404			9013G	Transistor 901301-09013-11B		
Q408,409			8050	Transistor 805001-08050-06		
Q412			9013G	Transistor 901301-09013-11B		
Q415			9013G	Transistor 901301-09013-11B		
Q416			8550D	Transistor 855001-08550-05B		
Q425-427			8050	Transistor 805001-08050-06		
Q428			8550D	Transistor 855001-08550-05B		
Q601			9013G	Transistor 901301-09013-11B		
Q603			9013G	Transistor 901301-09013-11B		
Q604			8550D	Transistor 855001-08550-05B		
Q605,606			9013G	Transistor 901301-09013-11B		
Q607			8550D	Transistor 855001-08550-05B		
Q608			8550	Transistor 855001-08550-06		
Q609			9013G	Transistor 901301-09013-11B		
Q703,704			8050	Transistor 805001-08050-06		
Q705			8550	Transistor 855001-08550-06		
Q706-708			8050	Transistor 805001-08050-06		
Q709			8550	Transistor 855001-08550-06		
Q710-712			8050	Transistor 805001-08050-06		

L : Scandinavia K : USA P : Canada R : Mexico C : China I : Malaysia  
 Y : PX(Far East,Hawaii) T : England E : Europe G : Germany V : China(Shanghai)  
 Y : AAFES(Europe) X : Australia Q : Russia H : Korea M : Other Areas Δ indicates safety critical components .

\* New Parts  
Parts without **Parts No.** are not supplied.  
Les articles non mentionnés dans le **Parts No.** ne sont pas fournis.  
Teile ohne **Parts No.** werden nicht geliefert.

14

Ref. No	Address	New Parts	Parts No.	Description	Destination	Remarks
Q902			8050D	Transistor 805001-08050-04B	E	
Q903			2SB1240(Q)	Transistor 2SB101-01240-00		
Q904			8050D	Transistor 805001-08050-04B		
ZD101			MTZJ5.1B	Zener Diode 5.102-50051-00		
ZD301			MTZJ9.1B	Zener Diode 9.102-50091-00		
ZD302			MTZJ6.2B	Zener Diode 6.202-50062-00		
ZD410			MTZJ5.1B	Zener Diode 5.102-50051-00		
ZD601			MTZJ5.1B	Zener Diode 5.102-50051-00		
ZD701			MTZJ3.9B	Zener Diode 3.902-50039-00		
ZD702,703			MTZJ3.3B	Zener Diode 3.302-50033-00		
ZD704			MTZJ6.2B	Zener Diode 6.202-50062-00		
ZD705			MTZJ5.1B	Zener Diode 5.102-50051-00		
ZD901			MTZJ5.6B	Zener Diode 5.602-50056-00		
FP101		*	W02-4588-08	EP505 Tuner PAD00-00505-00		
<b>CASSETTE MECHANISM</b>						
BM	2B	*	D16-0807-08	Belt, main		
BS	2B	*	D16-0808-08	Belt, sub		
PF	2A	*	D14-0830-08	Pinch roller, forward		
PR	2B	*	D14-0831-08	Pinch roller, reverse		

L : Scandinavia    K : USA    P : Canada    R : Mexico    C : China    I : Malaysia  
 Y : PX(Far East,Hawaii)    T : England    E : Europe    G : Germany    V : China(Shanghai)  
 Y : AAFES(Europe)    X : Australia    Q : Russia    H : Korea    M : Other Areas     $\Delta$  indicates safety critical components.

**HOW TO READ THE PARTS LIST**  
**ABBREVIATION OF MODEL AND MASS PRODUCTION'S DESTINATIONS**

MODEL	ABB.	Australia	Canada	Europe	PX/AAFES	USA	Other area
		X	-	E	-	-	M
RXD-M57MP-H	H	XH	-	EH	-	-	-
RXD-M57MP-S	S	XS	-	ES	-	-	MS

PARTS LIST

RXD-M57MP

# RXD-M57MP

## SPECIFICATIONS

### **Main unit**

#### **Amplifier section**

Rate output power  
25 W + 25 W (1 kHz, 10% T.H.D., at 4  $\Omega$ )  
X-BASS..... +4 dB (60 Hz)

#### **Tuner section**

FM tuner section  
Tuning frequency range  
..... 87.5 MHz ~ 108 MHz  
AM tuner section  
Tuning frequency range  
(For the Europe and Australia)  
..... 531 kHz ~ 1,602 kHz  
(For other countries)  
..... 530 kHz ~ 1,610 kHz

#### **CD player section**

Laser ..... Semiconductor laser  
Over sampling ..... 8 fs (352.8 Hz)  
Laser wave length ..... 760 ~ 800 nm  
Laser power class ..... Class 1 (IEC)  
D/A conversion ..... 1 Bit

#### **Cassette deck section**

Track..... 4-track, 2-channel stereo

#### **General**

Power consumption ..... 70 W  
Dimensions ..... W : 160mm (6-5/16")  
H : 268 mm (10-9/16")  
D : 354 mm (13-15/16")  
Weight (net) ..... 5.3 kg (11.7 lb)

### **Speakers**

Enclosure ..... Bass-reflex type  
Speaker configuration  
Woofer ..... 100 mm, cone type  
Impedance ..... 4  $\Omega$   
Maximum input level ..... 5 W  
Dimensions ..... W : 160 mm (6-5/16")  
H : 268 mm (10-9/16")  
D : 218 mm (8-9/16")  
Weight (net) ..... 2.2 kg (4.9 lb) (1 piece)

#### **Notes:**

---

- KENWOOD follows a policy of continuous advancements in development. For this reason specifications may be changed without notice.
- Sufficient performance may not be exhibited at extremely cold locations (where water freezes).