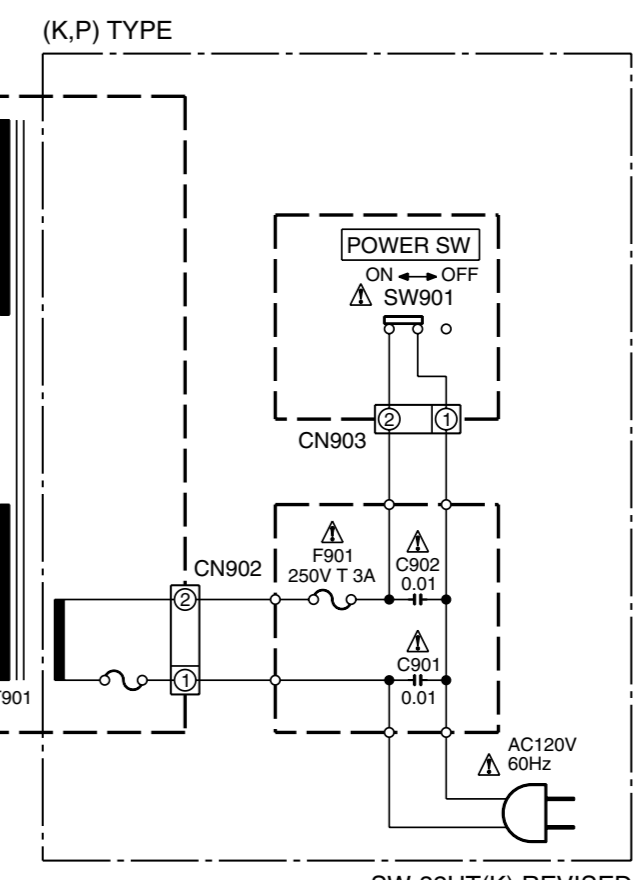
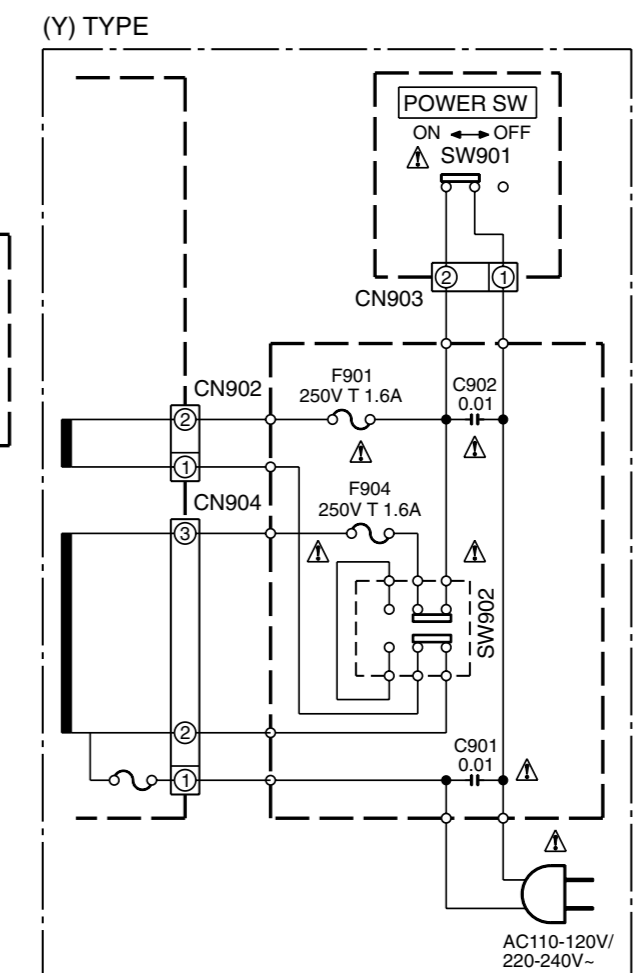


IC101	: TL074	Q101-103,503,505,513,525,702	D101-103,505,507,701,704
IC102	: NJM4558D	: 2SC945	: 1N4148
IC701	: UPC1237HA	Q501A,B	: 2SC2240GR
IC901	: TA7815S	Q509	: 2SA1209S
IC902	: TA79015S	Q511	: 2SC2911S
		Q515	: 2SC2073
		Q517	: 2SA940
		Q519	: 2SC5200(R)
		Q521	: 2SA1943(R)
		Q529,531	: 2SA970GR
		Q701	: 2SA733
		Q901	: 2SC2001

D702,901-904,906	: IN4001
D905	: IN4002
ZD101	: RD8.2ES(B)
ZD501	: RD23ES(B)
ZD503	: RD5.6ES(B)
ZD507	: RD10ES(B)
BD901	: KBU60D



CAUTION: For continued safety, replace safety critical components only with manufacturer's recommended parts (refer to parts list). ⚠ indicates safety critical components. For continued protection against risk of fire, replace only with same type and rating fuse(s). To reduce the risk of electric shock, leakage-current or resistance measurements shall be carried out (exposed parts are acceptably insulated from the supply circuit) before the appliance is returned to the customer.

The DC voltage is an actual reading measured with a high impedance type voltmeter with no signal input. The measurement value may vary depending on the measuring instruments used or on the product.

SW-303/32HT/SW-35HT

KENWOOD