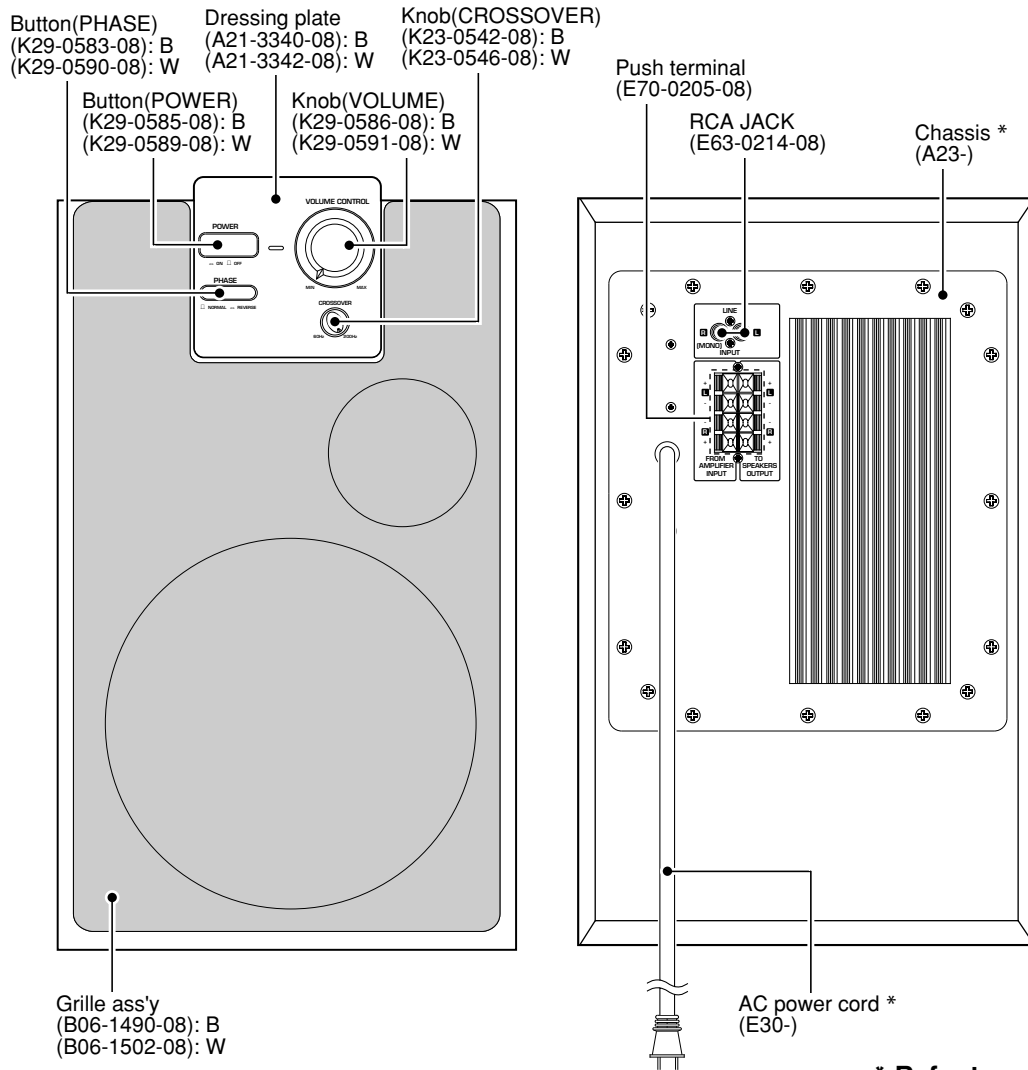


# SW-305-B/305-W

## SERVICE MANUAL



**B : Black**  
**W : White**

\* Refer to parts list on page 7.

Grille ass'y for M type of white(SW-305-W) is B06-1490-08.

## SPECIFICATIONS

Type .....Subwoofer system with built-in amplifier  
(Magnetically shielded)

### [Amplifier]

Rated Output Power .....100 W RMS, 30 Hz ~ 200 Hz, 4 Ω  
Phase Switching .....NORMAL, REVERSE  
Input Sensitivity & Input Impedance  
RCA-type pin-plug jack .....100 mV /12 kΩ  
200 mV /12 kΩ (MONO Input)  
Push-type terminals .....1.7 V /15 kΩ

### [Speaker]

Enclosure .....Bass-Reflex, Floor Standing Type  
Speaker Unit .....200 mm (8") Cone type  
Nominal Impedance .....4 Ω

### [General]

Rated Power Consumption .....90 W  
Dimensions .....Width : 250 mm (9-13/16")  
Height : 422 mm (16-5/8")  
Depth : 408 mm (16-1/16")  
Net Weight .....12.2 kg (26.9 lb)



KENWOOD follows a policy of continuous advancements in development. For this reason specifications may be changed without notice.

- Sufficient performance may not be exhibited at extremely cold locations (where water freezes).



# SW-305-B/305-W

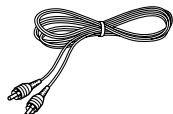
## CONTENTS / ACCESSORIES

### Contents

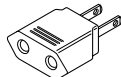
|                              |             |                         |   |
|------------------------------|-------------|-------------------------|---|
| SPECIFICATIONS .....         | Front cover | SCHEMATIC DIAGRAM ..... | 4 |
| CONTENTS / ACCESSORIES ..... | 2           | EXPLODED VIEW .....     | 6 |
| PC BOARD .....               | 3           | PARTS LIST.....         | 7 |

### Accessories

Pin-plug cord (1)  
(E30-5860-08)

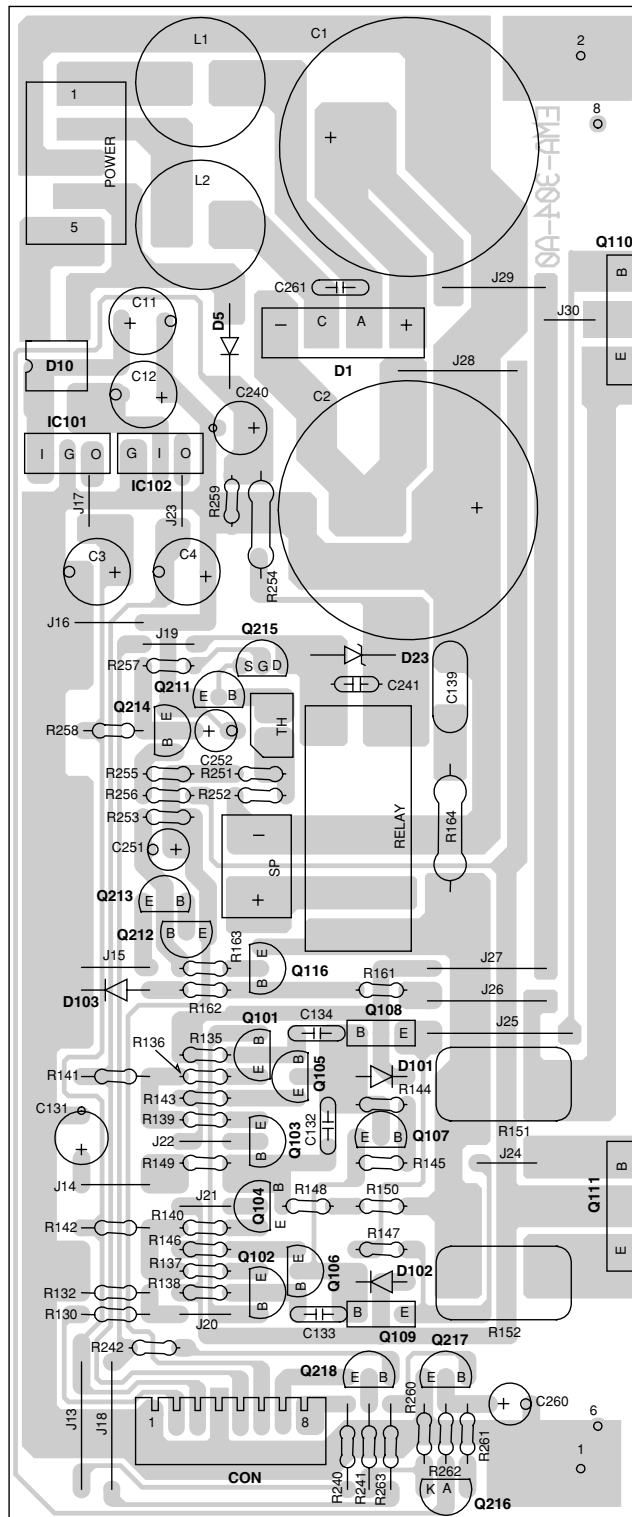
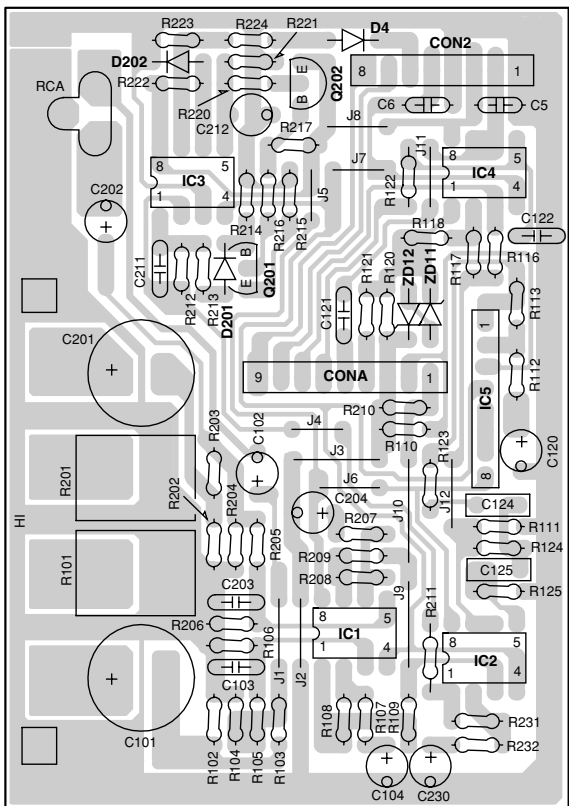
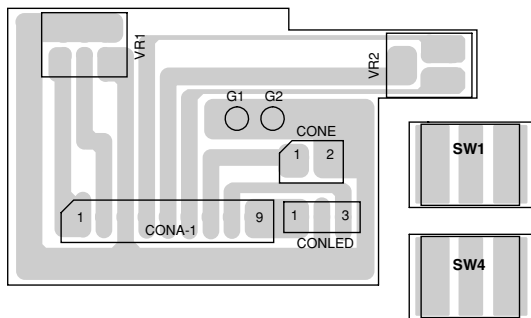
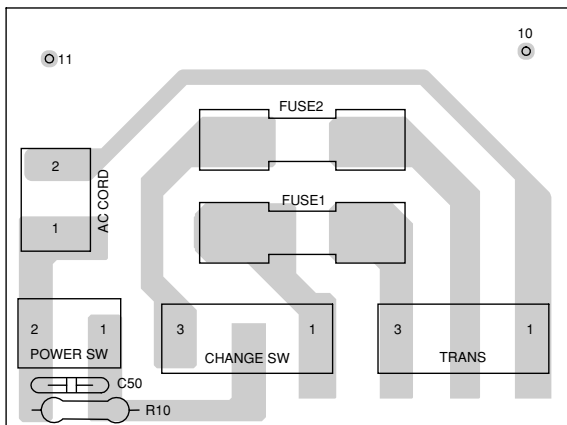


AC plug adaptor (1)  
(E03-0115-05)



\* Use to adapt the plug on the power cord to the shape of the wall outlet.  
(Accessory only for regions where use is necessary)

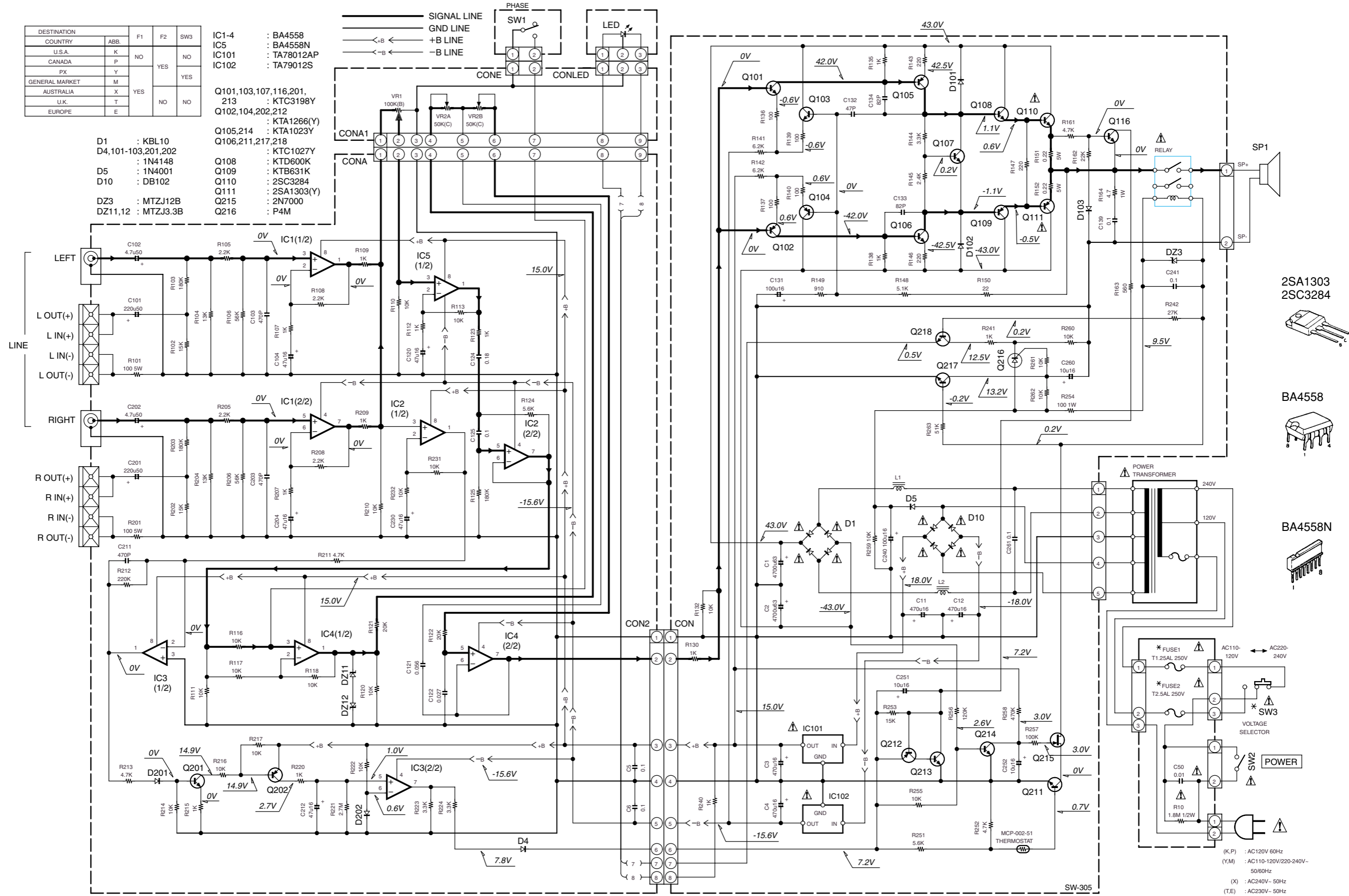
# PC BOARD (Component side view)



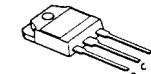
Refer to the schematic diagram for the value of resistors and capacitors.

| DESTINATION    |      | F1  | F2  | SW3 |
|----------------|------|-----|-----|-----|
| COUNTRY        | ABB. |     |     |     |
| U.S.A.         | K    | NO  | YES | NO  |
| CANADA         | P    |     |     |     |
| PX             | Y    |     |     |     |
| GENERAL MARKET | M    |     |     | YES |
| AUSTRALIA      | X    | YES |     |     |
| U.K.           | T    |     | NO  | NO  |
| EUROPE         | E    |     |     |     |

- IC1-4 : BA4558  
 IC5 : BA4558N  
 IC101 : TA78012AP  
 IC102 : TA79012S
- Q101,103,107,116,201,213 : KTC3198Y  
 Q102,104,202,212 : KTA1266(Y)  
 Q105,214 : KTA1023Y  
 Q106,211,217,218 : KTC1027Y  
 Q108 : KTD600K  
 Q109 : KTB631K  
 Q110 : 2SC3284  
 Q111 : 2SA1303(Y)  
 Q215 : 2N7000  
 Q216 : P4M
- D1 : KBL10  
 D4,101-103,201,202 : 1N4148  
 D5 : 1N4001  
 D10 : DB102
- DZ3 : MTZJ12B  
 DZ11,12 : MTZJ3.3B



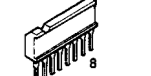
2SA1303  
2SC3284



BA4558



BA4558N



**CAUTION:** For continued safety, replace safety critical components only with manufacturer's recommended parts (refer to parts list).  $\Delta$  indicates safety critical components. For continued protection against risk of fire, replace only with same type and rating fuse(s). To reduce the risk of electric shock, leakage-current or resistance measurements shall be carried out (exposed parts are acceptably insulated from the supply circuit) before the appliance is returned to the customer.

The DC voltage is an actual reading measured with a high impedance type voltmeter with no signal input. The measurement value may vary depending on the measuring instruments used or on the product.

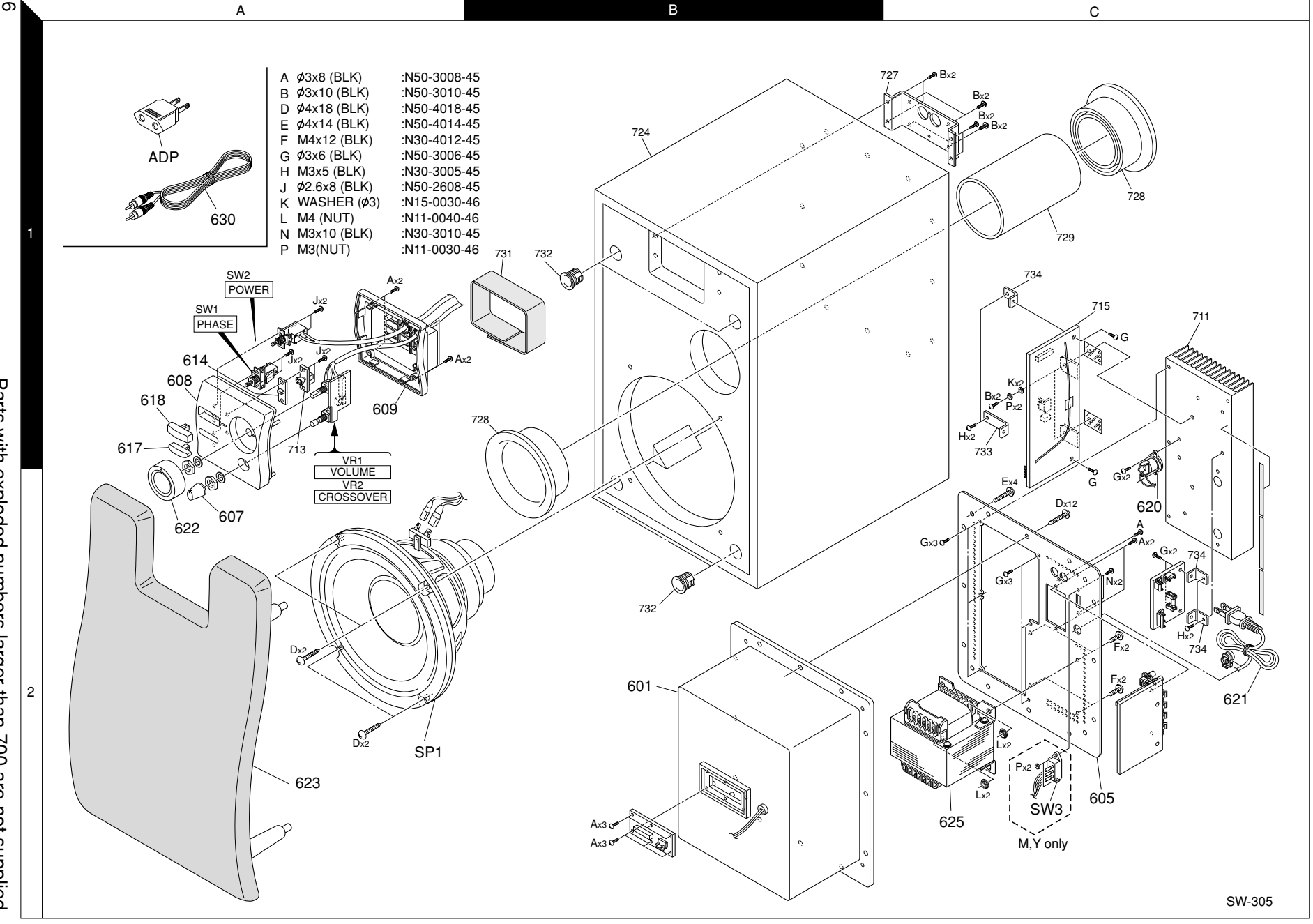
# SW-305-B/305-W

Y19-5750-10

KENWOOD

# SW-305-B/305-W

## EXPLODED VIEW



\* New Parts  
Parts without **Parts No.** are not supplied.  
Les articles non mentionnes dans le **Parts No.** ne sont pas fournis.  
Teile ohne **Parts No.** werden nicht geliefert.

①

| Ref. No                       | Add-ress | New Parts | Parts No.    | Description                 | Desti-nation | Re-marks |
|-------------------------------|----------|-----------|--------------|-----------------------------|--------------|----------|
| <b>SW-305 W:WHITE/B:BLACK</b> |          |           |              |                             |              |          |
| 601                           | 2B       | *         | A02-2537-08  | AMP BOX BDCC-0010-01        |              |          |
| 605                           | 2C       | *         | A23-5505-08  | CHASSIS,REAR,B BCCS-0570-03 | KP           |          |
| 605                           | 2C       | *         | A23-5506-08  | CHASSIS,REAR,B BCCS-0569-02 | Y            |          |
| 605                           | 2C       | *         | A23-5511-08  | CHASSIS,REAR,B BCCS-0569-01 | M            |          |
| 605                           | 2C       | *         | A23-5512-08  | CHASSIS,REAR,B BCCS-0570-01 | ET           |          |
| 605                           | 2C       | *         | A23-5513-08  | CHASSIS,REAR,B BCCS-0570-02 | X            |          |
| 607                           | 2A       | *         | K23-0542-08  | CROSSOVER KNOB BDKN-0020-01 | B            |          |
| 607                           | 2A       | *         | K23-0546-08  | CROSSOVER KNOB BDKN-0021-01 | W            |          |
| 608                           | 1A       | *         | A21-3340-08  | DRESSING PLATE              | B            |          |
| 608                           | 1A       | *         | A21-3342-08  | DRESSING PLATE              | W            |          |
| 609                           | 1A       | *         | A02-2536-08  | CONTROL BOTTOM BDCC-0009-01 | B            |          |
| 609                           | 1A       | *         | A02-2540-08  | CONTROL BOTTOM BDCC-0011-01 | W            |          |
| 614                           | 1A       | *         | B19-1292-08  | LENS BDDBS-0113-01          |              |          |
| 617                           | 1A       | *         | K29-0583-08  | PHASE BUTTON BDBT-0016-01   | B            |          |
| 617                           | 1A       | *         | K29-0590-08  | PHASE BUTTON BDBT-0017-01   | W            |          |
| 618                           | 1A       | *         | K29-0585-08  | POWER BUTTON BDBT-0012-01   | B            |          |
| 618                           | 1A       | *         | K29-0589-08  | POWER BUTTON BDBT-0013-01   | W            |          |
| 620                           | 2C       | *         | S79-0202-08  | THERMOSTAT RTSM-NT-101NA    |              |          |
| △ 621                         | 2C       | *         | E30-5863-05  | UL POWER CORD WPLU-HPC30008 | KP           |          |
| △ 621                         | 2C       | *         | E30-5864-05  | UL POWER CORD WPLU-HPC30007 | Y            |          |
| △ 621                         | 2C       | *         | E30-5865-05  | UL POWER CORD WPLU-HPC30005 | ME           |          |
| △ 621                         | 2C       | *         | E30-5866-05  | UL POWER CORD WPLU-HPC30006 | X            |          |
| △ 621                         | 2C       | *         | E30-5867-05  | UL POWER CORD WPLU-HPC30004 | T            |          |
| 622                           | 2A       | *         | K29-0586-08  | VOLUME KNOB BDKN-0018-01    | B            |          |
| 622                           | 2A       | *         | K29-0591-08  | VOLUME KNOB BDKN-0019-01    | W            |          |
| 623                           | 2A       | *         | B06-1490-08  | GRILLE ASSY                 | B            |          |
| 623                           | 2A       | *         | B06-1490-08  | GRILLE ASSY                 | MW           |          |
| 623                           | 2A       | *         | B06-1502-08  | GRILLE ASSY                 | X/EW         |          |
| △ 625                         | 2C       | *         | L07-3028-05  | POWER TRANS TTG2-EPT60008   | KPYMX        |          |
| △ 625                         | 2C       | *         | L07-3031-05  | POWER TRANS TTG2-EPT60009   | ET           |          |
| 630                           | 1A       |           | E30-5860-08  | AUDIO CORD                  |              |          |
| -                             |          |           | B46-0096-53  | WARRANTY CARD               | X            |          |
| -                             |          |           | B46-0310-03  | WARRANTY CARD               | ET           |          |
| -                             |          |           | B46-0328-03  | WARRANTY CARD               | K            |          |
| -                             |          |           | B46-0347-03  | WARRANTY CARD               | P            |          |
| -                             |          | *         | B59-1104-08  | SERVICE STATIONS' LIST      | Y            |          |
| -                             |          | *         | B61-1073-00  | INSTRUCTION MANUAL          | KPET         |          |
| -                             |          | *         | B61-1074-00  | INSTRUCTION MANUAL          | YMX          |          |
| -                             |          | *         | H10-8174-08  | POLYSTYRENE FOARMED FIXTURE |              |          |
| -                             |          | *         | H10-8175-08  | POLYSTYRENE FOARMED FIXTURE |              |          |
| -                             |          | *         | H51-1512-08  | ITEM CARTON CASE            | KPYETX       |          |
| -                             |          | *         | H51-1513-08  | ITEM CARTON CASE            | M            |          |
| LED                           |          | *         | B30-1836-08  | LED SDLB-SPR39MV            |              |          |
| SP1                           | 2A       | *         | T10-0961-05  | WOOFER                      |              |          |
| SW3                           | 2C       | *         | S62-0214-08  | SILDE SWITCH ESSL-SSB040    | M            |          |
| △ ADP                         | 1A       | *         | E03-0115-05  | AC PLUG ADAPTER             |              |          |
| <b>ELECTRICAL PARTS</b>       |          |           |              |                             |              |          |
| C1 ,2                         |          | *         | C90-5143-08  | ELECTRO 4700UF              | 63WV         |          |
| C3 ,4                         |          | *         | CE04CW1C471M | ELECTRO 470UF               | 16WV         |          |
| C5 ,6                         |          | *         | CK45FB1H104Z | CERAMIC 0.10UF              | Z            |          |
| C11 ,2                        |          | *         | CE04CW1C471M | ELECTRO 470UF               | 16WV         |          |
| △ C50                         |          | *         | C91-0212-08  | CERAMIC 0.01UF              | 400WV        |          |
| C101                          |          | *         | C90-5144-08  | NP-ELEC 220UF               | 50WV         |          |
| C102                          |          | *         | CE04CW1H4R7M | ELECTRO 4.7UF               | 50WV         |          |

L: Scandinavia K: USA P: Canada R: Mexico C: China I: Malaysia  
Y: PX(Far East,Hawaii) T: England E: Europe G: Germany V: China(Shanghai)  
Y: AAFES(Europe) X: Australia Q: Russia H: Korea M: Other Areas △ indicates safety critical components.

\* New Parts  
Parts without **Parts No.** are not supplied.  
Les articles non mentionnes dans le **Parts No.** ne sont pas fournis.  
Teile ohne **Parts No.** werden nicht geliefert.

②

| Ref. No | Add-ress | New Parts | Parts No.     | Description                  | Desti-nation | Re-marks |
|---------|----------|-----------|---------------|------------------------------|--------------|----------|
| C103    |          |           | CK45FB1H471K  | CERAMIC 470PF                |              | K        |
| C104    |          |           | CE04CW1C470M  | ELECTRO 47UF                 |              | 16WV     |
| C120    |          |           | CE04CW1C470M  | ELECTRO 47UF                 |              | 16WV     |
| C121    |          | *         | C90-5145-08   | MYLAR 0.056UF                |              | 100WV    |
| C122    |          | *         | C90-5146-08   | MYLAR 0.027UF                |              | 100WV    |
| C124    |          | *         | C91-0213-08   | FILM 0.18UF                  |              | 63WV     |
| C125    |          | *         | C91-0214-08   | FILM 0.1UF                   |              | 63WV     |
| C131    |          | *         | CE04CW1C101M  | ELECTRO 100UF                |              | 16WV     |
| C132    |          |           | CC45FCH1H470J | CERAMIC 47PF                 |              | J        |
| C133,4  |          |           | CC45FSL1H820J | CERAMIC 82PF                 |              | J        |
| C139    |          | *         | C90-5147-08   | MYLAR 0.1UF                  |              | 100WV    |
| C201    |          | *         | C90-5144-08   | NP-ELEC 220UF                |              | 50WV     |
| C202    |          | *         | CE04CW1H4R7M  | ELECTRO 4.7UF                |              | 50WV     |
| C203    |          | *         | CK45FB1H471K  | CERAMIC 470PF                |              | K        |
| C204    |          | *         | CE04CW1C470M  | ELECTRO 47UF                 |              | 16WV     |
| C211    |          | *         | CK45FB1H471K  | CERAMIC 470PF                |              | K        |
| C212    |          | *         | CE04CW1C470M  | ELECTRO 47UF                 |              | 16WV     |
| C230    |          | *         | CE04CW1C470M  | ELECTRO 47UF                 |              | 16WV     |
| C240    |          | *         | CE04CW1C101M  | ELECTRO 100UF                |              | 16WV     |
| C241    |          | *         | CK45FB1H104Z  | CERAMIC 0.10UF               |              | Z        |
| C251,2  |          |           | CE04CW1C100M  | ELECTRO 10UF                 |              | 16WV     |
| C260    |          |           | CE04CW1C100M  | ELECTRO 10UF                 |              | 16WV     |
| C261    |          | *         | C90-5147-08   | MYLAR 0.1UF                  |              | 100WV    |
| -       |          | *         | E63-0214-08   | RCA JACK JJR2-020S902        |              |          |
| -       |          | *         | E70-0205-08   | PUSH TERMINAL FTP8-PPT00803  |              |          |
| △ FUSE1 |          | *         | F53-0223-08   | FUSE,1.25A FFAD-CUL521R2     |              | MEXYT    |
| FUSE2   |          | *         | F53-0224-08   | FUSE,2.5A FFAD-CUL522R5      |              | MKPY     |
| L1 ,2   |          | *         | L90-0408-08   | BAY TYPE COIL ICCB-EBC01508  |              |          |
| △ R10   |          | *         | R92-2356-08   | FUSE RESIST 1.8M             | J            | 1/2W     |
| R101    |          | *         | R92-2358-08   | CEMENT 100                   | J            | 5W       |
| R151,2  |          | *         | R92-2357-08   | CEMENT 0.22                  | J            | 5W       |
| R164    |          | *         | RS14DB3A4R7J  | FL-PROOF RS 4.7              | J            | 1W       |
| R201    |          | *         | R92-2358-08   | CEMENT 100                   | J            | 5W       |
| R254    |          | *         | RS14DB3A101J  | FL-PROOF RS 100              | J            | 1W       |
| VR1     |          | *         | R31-0422-08   | ROTARY MAIN VOL,RVRM-SBR2059 |              |          |
| VR2     |          | *         | R31-0423-08   | ROTARY MAIN VOL,RVRM-SBR2061 |              |          |
| △ RELAY |          | *         | S76-0210-08   | RELAY ER22-SM323D12          |              |          |
| SW1     |          | *         | S90-0202-08   | PUSH SWITCH ESPL-22H14F18    |              |          |
| △ SW2   |          | *         | S90-0203-08   | POWER SWITCH ESPP-KDCA04     |              |          |
| △ D1    |          | *         | KBL10         | DIODE                        |              |          |
| D4      |          | *         | 1N4148        | DIODE                        |              |          |
| D5      |          | *         | 1N4001        | DIODE                        |              |          |
| △ D10   |          | *         | DB102         | DIODE                        |              |          |
| D101-3  |          | *         | 1N4148        | DIODE                        |              |          |
| D201,2  |          | *         | 1N4148        | DIODE                        |              |          |
| DZ3     |          | *         | MTZJ12B       | ZENER DIODE                  |              |          |
| DZ11,2  |          | *         | MTZJ3.3B      | ZENER DIODE                  |              |          |
| IC1 -4  |          | *         | BA4558        | IC(OP AMP X2)                |              |          |
| IC5     |          | *         | BA4558N       | IC(OP AMP X2)                |              |          |
| △ IC101 |          | *         | TA78012AP     | IC                           |              |          |
| △ IC102 |          | *         | TA79012S      | IC(VOLTAGE REGULATOR/ -12V)  |              |          |
| Q101    |          | *         | KTC3198Y      | TRANSISTOR                   |              |          |

L: Scandinavia K: USA P: Canada R: Mexico C: China I: Malaysia  
Y: PX(Far East,Hawaii) T: England E: Europe G: Germany V: China(Shanghai)  
Y: AAFES(Europe) X: Australia Q: Russia H: Korea M: Other Areas △ indicates safety critical components.

PARTS LIST

SW-305-B/305-W

\* New Parts

Parts without **Parts No.** are not supplied.Les articles non mentionnés dans le **Parts No.** ne sont pas fournis.Teile ohne **Parts No.** werden nicht geliefert.

③

| Ref. No | Add-ress | New Parts | Parts No.  | Description | Desti-nation | Re-marks |
|---------|----------|-----------|------------|-------------|--------------|----------|
| Q102    |          |           | KTA1266(Y) | TRANSISTOR  |              |          |
| Q103    |          |           | KTC3198Y   | TRANSISTOR  |              |          |
| Q104    |          |           | KTA1266(Y) | TRANSISTOR  |              |          |
| Q105    |          | *         | KTA1023Y   | TRANSISTOR  |              |          |
| Q106    |          |           | KTC1027Y   | TRANSISTOR  |              |          |
| Q107    |          |           | KTC3198Y   | TRANSISTOR  |              |          |
| Q108    |          | *         | KTD600K    | TRANSISTOR  |              |          |
| Q109    |          | *         | KTB631K    | TRANSISTOR  |              |          |
| Q110    |          | *         | 2SC3284    | TRANSISTOR  |              |          |
| Q111    |          |           | 2SA1303(Y) | TRANSISTOR  |              |          |
| Q116    |          |           | KTC3198Y   | TRANSISTOR  |              |          |
| Q201    |          |           | KTC3198Y   | TRANSISTOR  |              |          |
| Q202    |          |           | KTA1266(Y) | TRANSISTOR  |              |          |
| Q211    |          |           | KTC1027Y   | TRANSISTOR  |              |          |
| Q212    |          |           | KTA1266(Y) | TRANSISTOR  |              |          |
| Q213    |          |           | KTC3198Y   | TRANSISTOR  |              |          |
| Q214    |          | *         | KTA1023Y   | TRANSISTOR  |              |          |
| Q215    |          | *         | 2N7000     | FET         |              |          |
| Q216    |          | *         | P4M        | TRANSISTOR  | STZZ-P4M     |          |
| Q217,8  |          |           | KTC1027Y   | TRANSISTOR  |              |          |

L : Scandinavia

K : USA

P : Canada

R : Mexico

C : China

I : Malaysia

Y : PX(Far East,Hawaii)

T : England

E : Europe

G : Germany

V : China(Shanghai)

Y : AAFES(Europe)

X : Australia

Q : Russia

H : Korea

M : Other Areas

⚠ indicates safety critical components.

# SW-305-B/305-W

## PARTS LIST

# SW-305-B/305-W

**Note:**

Component and circuit are subject to modification to insure best operation under differing local conditions. This manual is based on Europe (E) standard, and provides information on regional circuit modification through use of alternate schematic diagrams, and information on regional component variations through use of parts list.

## **KENWOOD CORPORATION**

14-6, Dogenzaka 1-chome, Shibuya-ku, Tokyo, 150-8501 Japan

### **KENWOOD SERVICE CORPORATION**

P.O. BOX 22745, 2201 East Dominguez St., Long Beach, CA 90801-5745, U.S.A.

### **KENWOOD ELECTRONICS CANADA INC.**

6070 Kestrel Road, Mississauga, Ontario, Canada L5T 1S8

### **KENWOOD ELECTRONICS LATIN AMERICA S.A.**

P.O. BOX 55-2791, Piso 6 plaza Chase, Cl. 47 y Aquilino de la Guardia Panama, Republic de Panama

### **KENWOOD ELECTRONICS BRASIL LTDA.**

Av. Moema, 170-17, Andar-Cobertura "B", Ed. Maximum Service Center, 04077-020 Moema, São Paulo-SP-Brasil

### **KENWOOD ELECTRONICS U.K. LIMITED**

KENWOOD House, Dwight Road, Watford, Herts., WD1 8EB., United Kingdom

### **KENWOOD ELECTRONICS BELGUM N.V.**

Meachelsesteenweg 418, B-1930 Zaventem, Belgium

### **KENWOOD ELECTRONICS DEUTSCHLAND GMBH**

Rembrücker Str. 15, 63150 Heusenstamm, Germany

### **KENWOOD ELECTRONICS FRANCE S.A.**

13 Boulevard Ney, 75018 Paris, France

### **KENWOOD ELECTRONICS ITALIA S.p.A.**

Via G. Sirtori, 7/9 20129, Milano, Italy

### **KENWOOD IBÉRICA S.A.**

Bolivia, 239-08020 Barcelona, Spain

### **KENWOOD ELECTRONICS AUSTRALIA PTY. LTD.**

(A.C.N. 001 499 074)

16 Giffnock Avenue, North Ryde, N.S.W. 2113, Australia

### **KENWOOD ELECTRONICS (HONG KONG) LTD.**

Unit 3712-3724, Level 37, Tower 1, Metroplaza, 223 Hing Fong Road, Kwai Fong N.T., Hong Kong

### **KENWOOD ELECTRONICS GULF FZE**

P.O.Box 61318, Jebel Ali, Dubai, U.A.E.

### **KENWOOD ELECTRONICS SINGAPORE PTE LTD.**

No. 1 Genting Lane #02-02, KENWOOD Building, Singapore, 349544

### **KENWOOD ELECTRONICS (MALAYSIA) SDN BHD.**

#4.01 Level 4, Wisma Academy Lot 4A, Jalan 19/1 46300 Petaling Jaya Selangor Darul Ehsan Malaysia

### **KENWOOD ELECTRONICS (THAILAND) CO., LTD.**

2019 New Pechburi Road, Bangkapi, Huaykwang, Bangkok, 10320 Thailand