

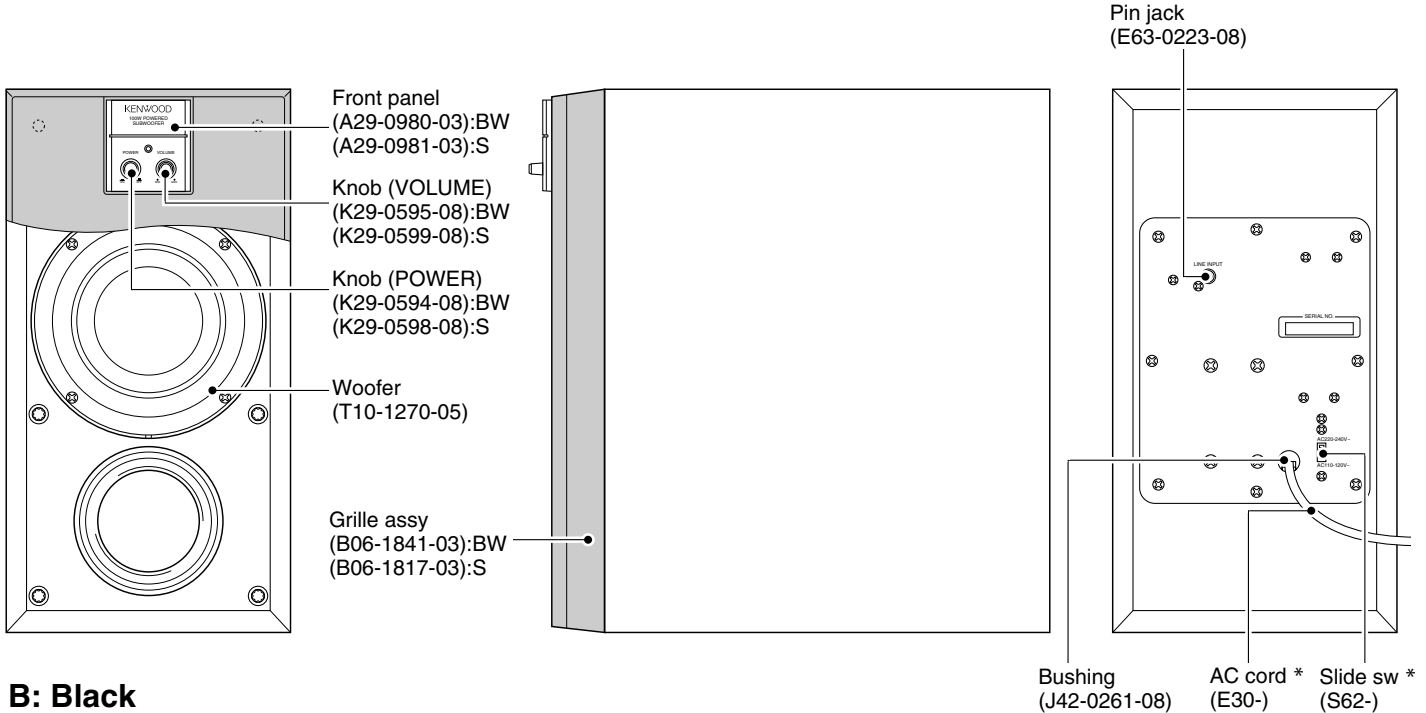
POWERED SUBWOOFER

SW-39HT/39HT-B SW-39HT-W SERVICE MANUAL

KENWOOD

Kenwood Corporation

© 2005-3 PRINTED IN KOREA
B51-5946-00 (K/K) 667



B: Black
W: White
S: SILVER

* Refer to parts list.

SPECIFICATIONS

Type Subwoofer system with built-in amplifier

[Amplifier]

Dynamic Power 100 W (6 Ω)

(For U.S.A. and Canada)

Rated Output Power (FTC)

75 W RMS, at 6 Ω 100 Hz, with no more than 0.7 % T.H.D.

Input Sensitivity & Input Impedance 300 mV (37 kΩ)

Rated Power Consumption 70 W

Frequency Response 25 Hz ~ 160 Hz

(For other countries)

Rated Output Power 75 W RMS (100 Hz, 6 Ω)

Input Sensitivity & Input Impedance 300 mV (37 kΩ)

Rated Power Consumption 70 W

Frequency Response 25 Hz ~ 160 Hz

[Speaker]

Enclosure Bass-Reflex, Floor Standing Type

Speaker Units 160 mm (6-1/2 ") Cone type

Nominal Impedance 6 Ω

Dimensions

Width : 210 mm (8-1/4 ")

Height : 400 mm (15-3/4 ")

Depth : 373mm (14-11/16 ")

Net Weight 10 kg (22.1 lb)

NOTE: THE GRILLE CANNOT BE REMOVED.

Notes:

1. Kenwood follows a policy of continuous advancements in development. For this reason, specifications may be changed without notice.
2. Full performance may not be exhibited in extremely cold locations (below 0 deg. C).



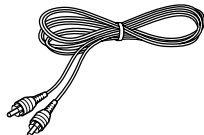
This product uses Lead Free solder.

SW-39HT

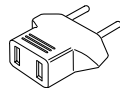
ACCESSORIES / DISASSEMBLY FOR REPAIR

ACCESSORIES

Pin-plug cord (1)
(E30-7068-05)



*AC plug adapter (1)
(E03-0260-05)

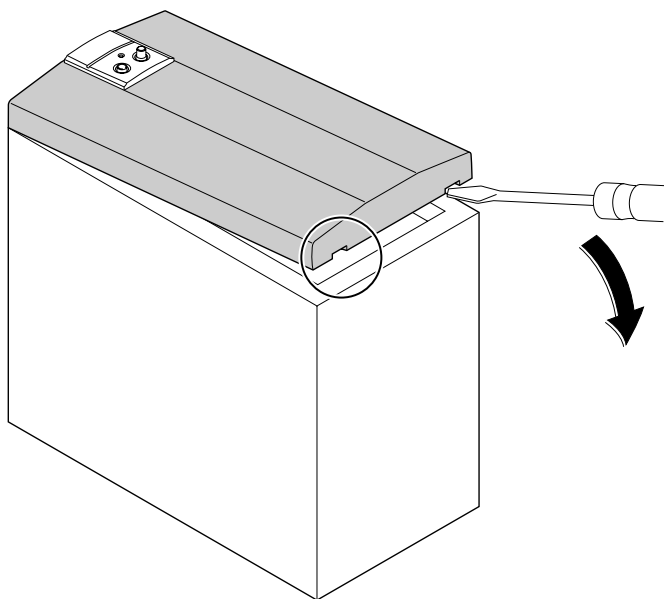


*Use to adapt the plug on the power cord to the shape of the wall outlet.
(Accessory only for regions where use is necessary.)

DISASSEMBLY FOR REPAIR

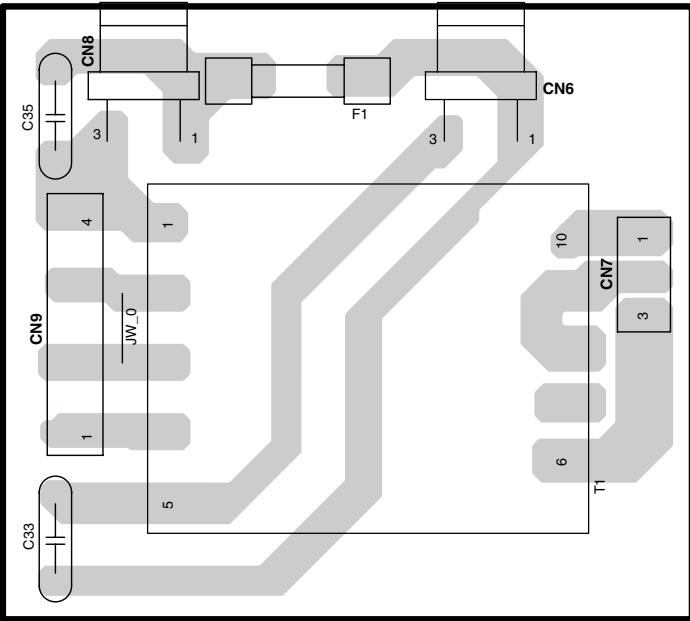
1. HOW TO REMOVE GRILLE ASS'Y

Insert the screw driver to gaps of the grille ass'y (see figure)
Caution; Don't damage the enclosure with screw driver.

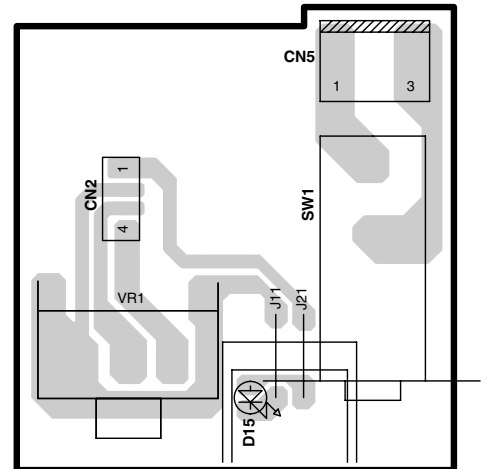
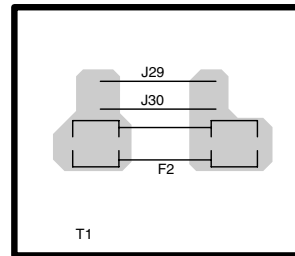
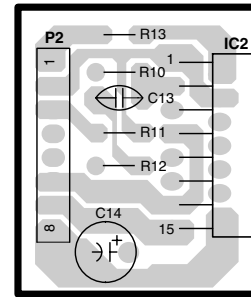
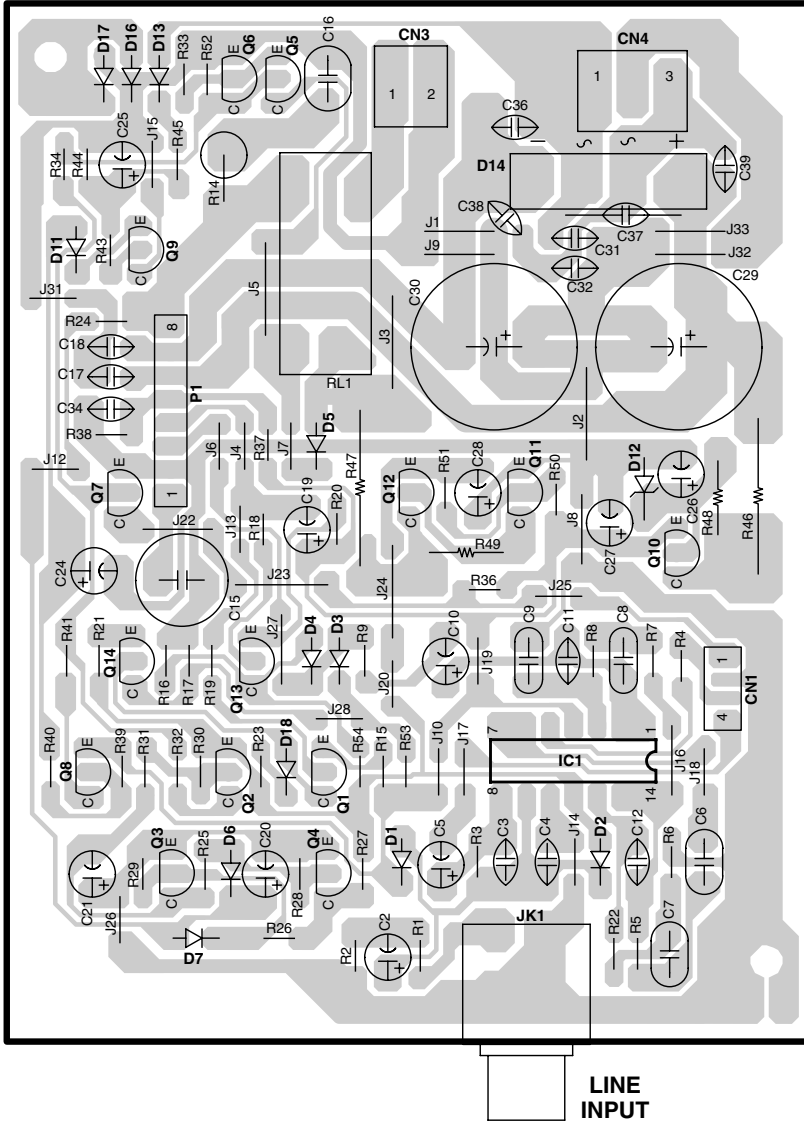


PC BOARD

POWER SUPPLY

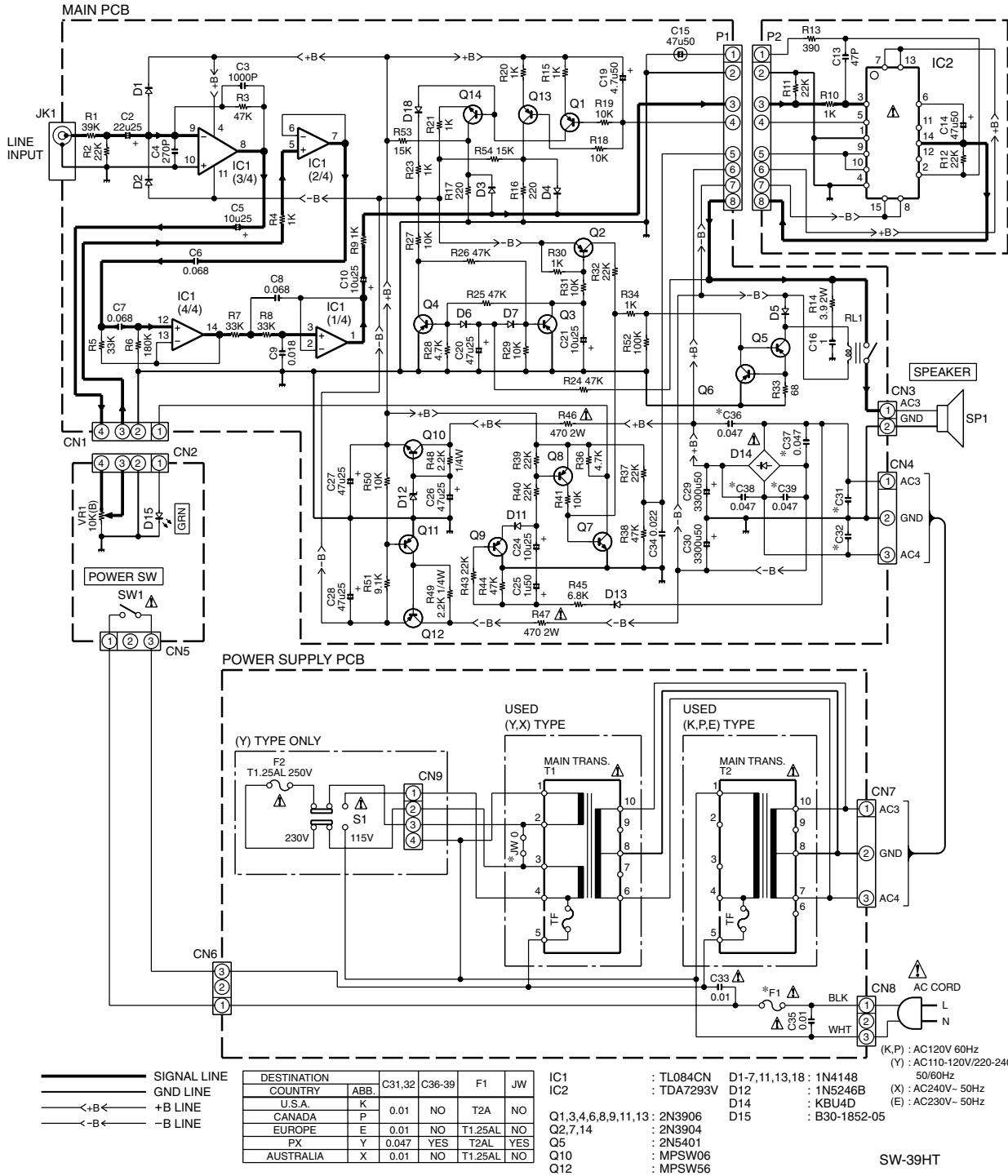


MAIN



VOLUME

POWER

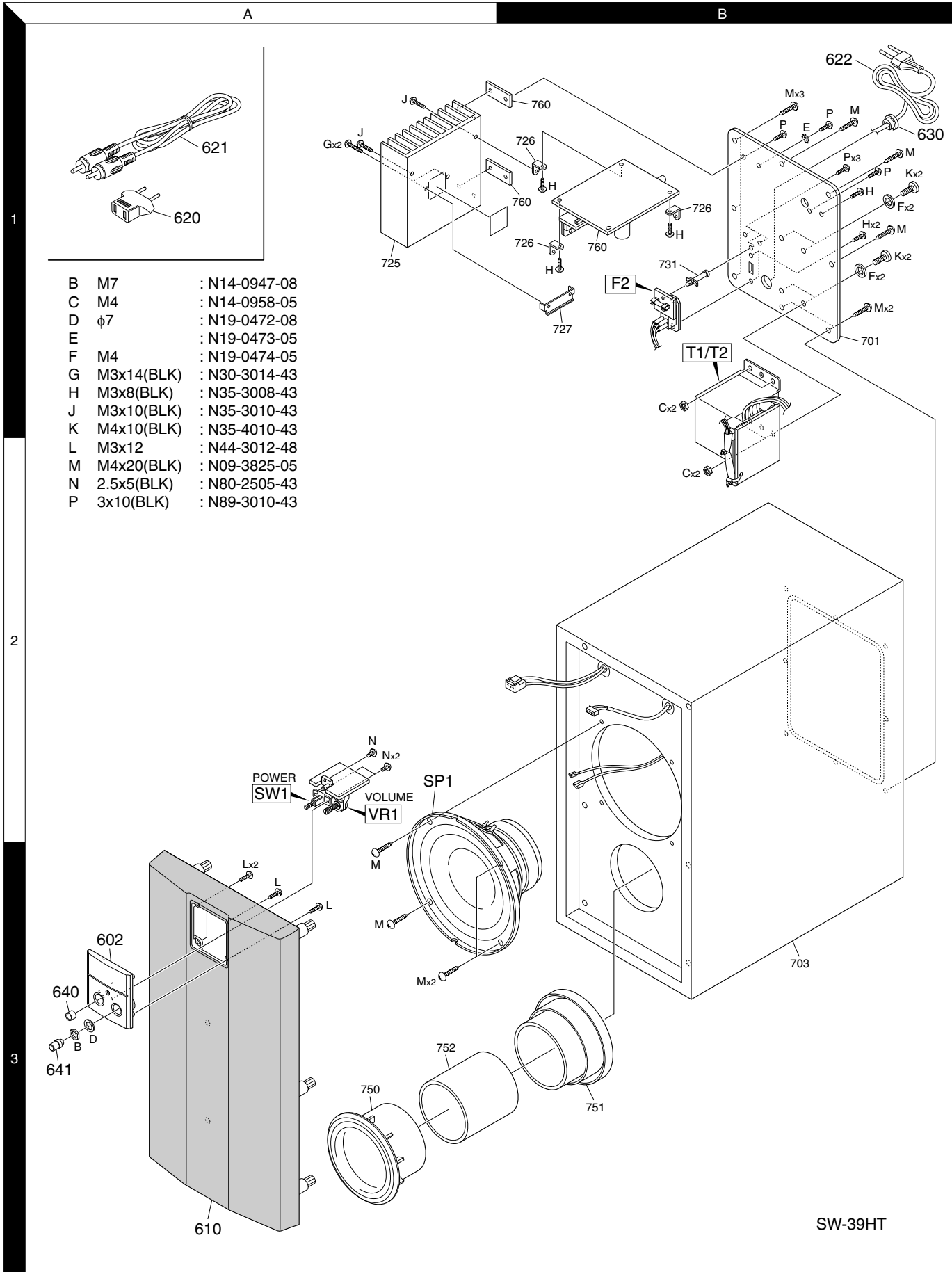


CAUTION: For continued safety, replace safety critical components only with manufacturer's recommended parts (refer to parts list). Δ indicates safety critical components. For continued protection against risk of fire, replace only with same type and rating fuse(s). To reduce the risk of electric shock, leakage-current or resistance measurements shall be carried out (exposed parts are acceptably insulated from the supply circuit) before the appliance is returned to the customer.

The DC voltage is an actual reading measured with a high impedance type voltmeter with no signal input. The measurement value may vary depending on the measuring instruments used or on the product.

SW-39HT

EXPLODED VIEW



Parts with exploded numbers larger than 700 are not supplied.

* New Parts

Parts without **Parts No.** are not supplied.

Les articles non mentionnés dans le **Parts No.** ne sont pas fournis.

Teile ohne **Parts No.** werden nicht geliefert.

①

Ref. No	Address	New Parts	Parts No.	Description	Destination	Remarks
SW-39HT (Y19-8120-10)						
602	3A	*	A29-0980-03	FRONT PANEL AS K200-SW3901B-30	BW	
602	3A	*	A29-0981-03	FRONT PANEL AS K200-SW3901S-30	S	
-		*	B61-1249-00	INST. BOOK		
610	3A	*	B06-1817-03	GRILLE ASSY SILVER	S	
610	3A	*	B06-1841-03	GRILLE ASSY WHT/BLK	BW	
620	1A	*	E03-0260-05	AC PLUG ADAPTER YBYS		
621	1A	*	E30-7068-05	CORD WITH CONNECTOR		
622	1B	*	E30-7084-08	AC POWER CORD 316-KP3555-01	KSPS	
622	1B	*	E30-7085-08	AC CORD 2M EU 316-0E3555-00	ES	
622	1B	*	E30-7086-08	AC CORD 2M 115 316-0M3555-00	YBYS	
622	1B	*	E30-7087-08	AC CORD 2M AS 316-0X3555-00	XSXW	
630	1B	*	J42-0261-08	BUSHING 5RF-4 408-005RF4-00		
640	3A	*	K29-0594-08	KNOB POWER SW- K218-W50801B-00	BW	
640	3A	*	K29-0598-08	KNOB POWER ASS K218-SW3901S-10	S	
641	3A	*	K29-0595-08	KNOB VOLUME SW K218-W50802B-00	BW	
641	3A	*	K29-0599-08	KNOB VOLUME AS K218-SW3902S-10	S	
B		*	N14-0947-08	HEX NUT M7 2T 422-H3M702001		
D		*	N19-0472-08	WASHER D12/D7 425-R107R5001		
L		*	N44-3012-48	TAPPING SCREW		
SP1	2A	*	T10-1270-05	WOOFER		
ELECTRIC PARTS						
D15		*	B30-1852-05	LED L-34GD-F01 335-152103-00		
C2		*	CD04BJ1E220M	ELECTRO 22UF 25WV		
C3		*	C91-0234-05	CERAMIC 1000PF M		
C4		*	C91-0236-05	CERAMIC 270PF M		
C5		*	CD04BJ1H100M	ELECTRO 10UF 50WV		
C6-8		*	C91-0221-05	FILM 0.068UF 63WV		
C9		*	C91-0233-05	FILM 0.018UF J		
C10		*	CD04BJ1H100M	ELECTRO 10UF 50WV		
C13		*	C91-0237-05	CERAMIC 47PF K		
C14		*	CD04BJ1H470M	ELECTRO 47UF 50WV		
C15		*	C90-7650-05	NP-ELEC 47UF 50WV		
C16		*	C91-0217-05	FILM 1UF		
C19		*	CD04BJ1H4R7M	ELECTRO 4.7UF 50WV		
C20		*	CD04BJ1E470M	ELECTRO 47UF 25WV		
C21		*	C90-6611-05	ELECTRO 10UF 50WV		
C24		*	C90-6611-05	ELECTRO 10UF 50WV		
C25		*	C90-6610-05	ELECTRO 1UF 50WV		
C26-28		*	CD04BJ1E470M	ELECTRO 47UF 25WV		
C29,30		*	C90-7651-05	ELECTRO 3300UF 50WV		
C31,32		*	C91-0232-05	CERAMIC 0.01UF 250WV		
C31,32		*	C91-0238-05	CERAMIC 0.047UF 250WV	EKPX	Y
C33		*	C90-6583-05	FILM 0.01UF 250WV		
C34		*	C91-0235-05	CERAMIC 0.022UF M		
C35		*	C90-6583-05	FILM 0.01UF 250WV		
C36-39		*	C91-0238-05	CERAMIC 0.047UF 250WV	Y	
JK1		*	E63-0223-08	RCA/1P/RJ-1081 399-RRJ10810103		
JW_0		*	-	JUMPER WIRE 387-054002-00 X		

L : Scandinavia K : USA P : Canada R : Mexico C : China I : Malaysia
 Y : PX(Far East,Hawaii) T : England E : Europe G : Germany V : China(Shanghai)
 Y : AAFES(Europe) X : Australia Q : Russia H : Korea M : Other Areas Δ indicates safety critical components .



* New Parts

Parts without **Parts No.** are not supplied.

Les articles non mentionnés dans le **Parts No.** ne sont pas fournis.

Teile ohne **Parts No.** werden nicht geliefert.

②

Ref. No	Address	New Parts	Parts No.	Description	Destination	Remarks
Δ F1		*	F50-0281-05	FUSE 250V/1.25 365-312125101S	EX	
Δ F1		*	F50-0283-05	FUSE 250V/2A 5 365-312200101S	Y	
Δ F1		*	F50-0298-05	FUSE 250/2A 51 365-312200102S	KP	
Δ F2		*	F50-0281-05	FUSE 250V/1.25 365-312125101S	Y	
Δ T1		*	L07-3049-05	TRANSFORMER 11 326-1528A17310	YX	
Δ T2		*	L07-3047-05	TRANSFORMER 12 326-1228A17310	KP	
Δ T2		*	L07-3048-05	TRANSFORMER 23 326-1328A17310	E	
R6		*	R92-2390-05	RD 180K J 1/6W		
R9		*	R92-2390-05	RD 180K J 1/6W		
R14		*	R92-2392-05	RS 3.9 J 2W		
R22		*	-	JUMPER WIRE 387-054002-00		
R33		*	R92-2391-05	RD 68 J 1/6W		
Δ R46,47		*	RS14KB3D471J	FL-PROOF RS 470 J 2W		
R51		*	R92-2393-05	RD 9.1K J 1/6W		
VR1		*	R31-0435-05	POT1/B10K/RV16 371-1B14RV16AE		
RL1		*	S76-0218-08	RELAY OMRON/SP 372-1G5PA1DC24		
Δ S1		*	S62-0219-08	SWITCH VOLT VE 327-VEV1261BCT	Y	
Δ SW1		*	S68-0215-05	SWITCH / POWER 327-PSFDL11L7U		
D1-7		*	1N4148	DIODE 1N4148 D 334-31N4148LE		
D11		*	1N4148	DIODE 1N4148 D 334-31N4148LE		
D12		*	1N5246B	DIODE-Z/1N5246 334-41N5246BLE		
D13		*	1N4148	DIODE 1N4148 D 334-31N4148LE		
Δ D14		*	KBU4D	BRIDGE DIODE K 331-2KBU4D		
D18		*	1N4148	DIODE 1N4148 D 334-31N4148LE		
IC1		*	TL84CN	IC/TL84CN(14P 331-TL84CN-00		
Δ IC2		*	TDA7293V	IC ST TDA7293V 331-A7293V-00		
Q1		*	2N3906	2N3906 PNP 384-62N3906LE		
Q2		*	2N3904	TR 2N3904 NPN 383-62N3904LE		
Q3,4		*	2N3906	TR 2N3906 PNP 384-62N3906LE		
Q5		*	2N5401	TR 2N5401 PNP 384-2N5401LE		
Q6		*	2N3906	TR 2N3906 PNP 384-62N3906LE		
Q7		*	2N3904	TR 2N3904 NPN 383-62N3904LE		
Q8,9		*	2N3906	TR 2N3906 PNP 384-62N3906LE		
Q10		*	MPSW06	TR/NRN/MPSW06R 383-9MPSW06RLRAG		
Q11		*	2N3906	TR 2N3906 PNP 384-62N3906LE		
Q12		*	MPSW56	TR/PNP/MPSW56R 384-9MPSW56RLRAG		
Q13		*	2N3906	TR 2N3906 PNP 384-62N3906LE		
Q14		*	2N3904	TR 2N3904 NPN 383-62N3904LE		

L : Scandinavia K : USA P : Canada R : Mexico C : China I : Malaysia
 Y : PX(Far East,Hawaii) T : England E : Europe G : Germany V : China(Shanghai)
 Y : AAFES(Europe) X : Australia Q : Russia H : Korea M : Other Areas Δ indicates safety critical components .

HOW TO READ THE PARTS LIST

ABBREVIATION OF MODEL AND MASS PRODUCTION'S DESTINATIONS

MODEL	CNTRY	Australia	Canada	Europe	PX/AAFES	USA
	ABB.	X	P	E	Y	K
SW-39	S	XS	PS	ES	YS	KS
SW-39HT-B	B	-	-	-	YB	-
SW-39HT-W	W	XW	-	-	-	-

SW-39HT

PARTS LIST