

AUDIO VIDEO SURROUND RECEIVER
KRF-V5020/V5020E/V5020W/V5020(S)
V6020/V6020E/V6020W/
V7020/V7020E/V7020W/
VR-305/306/355
SERVICE MANUAL

KENWOOD

© 1998-12/B51-5497-00 (K/K) 3444

On the Block diagram, backup data, Initial state and system microprocessor, refer to the KRF-V5010 service manual (B51-5425-00)

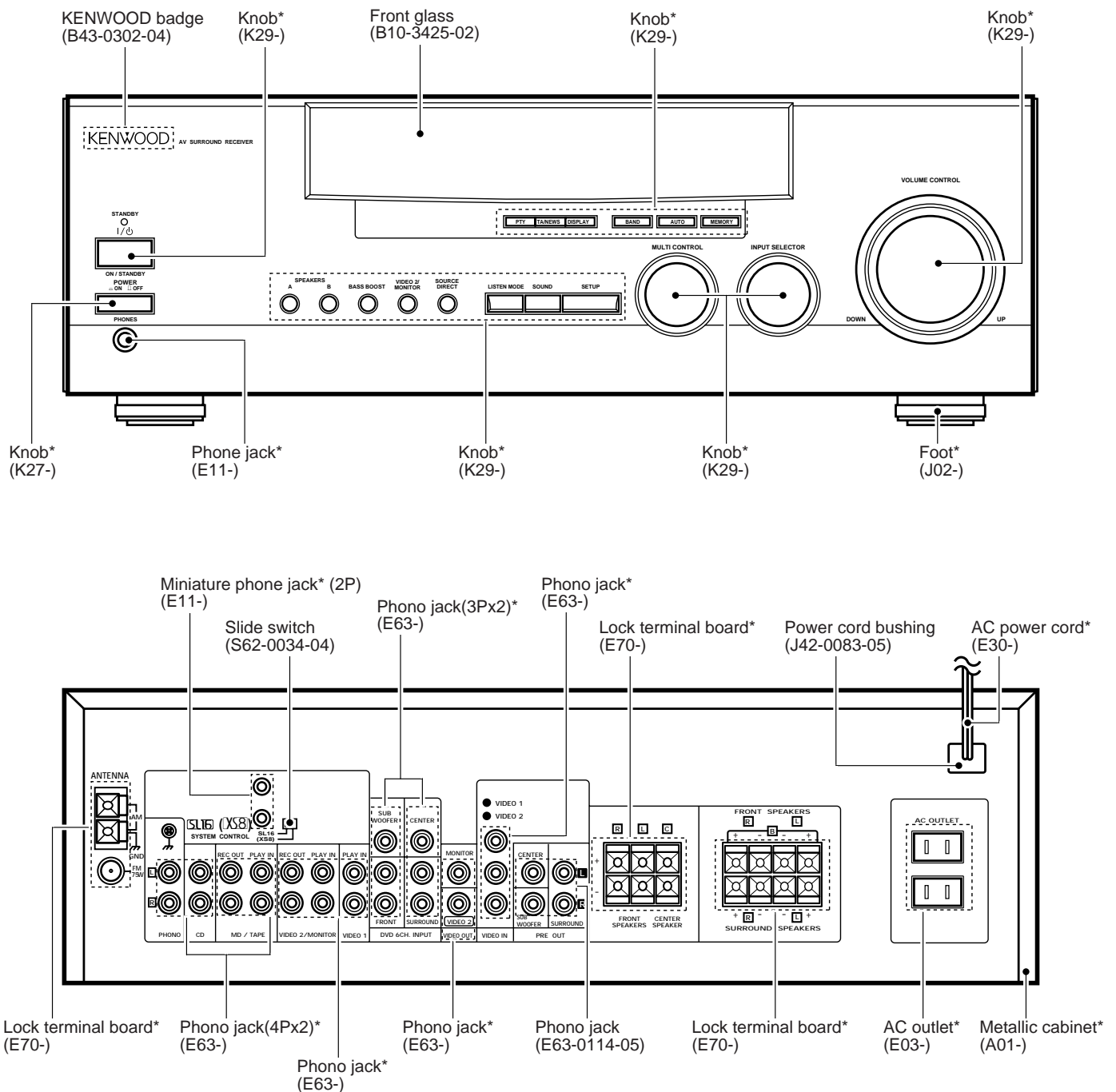


Illustration is KRF-V5020.

* Refer to parts list on page 23-.



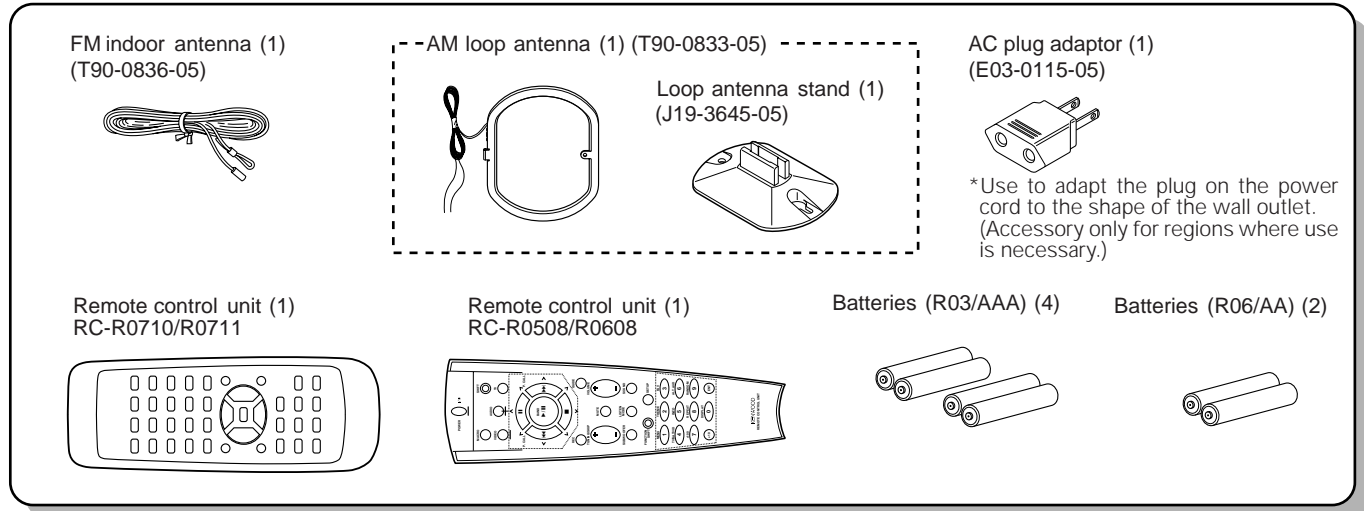
KRF-V5020/V6020/V7020/VR-305/306/355

CONTENTS / ACCESSORIES

Contents

CONTENTS / ACCESSORIES	2	SCHEMATIC DIAGRAM	9
DISASSEMBLY FOR REPAIR	3	EXPLODED VIEW	22
ADJUSTMENT	4	PARTS LIST	23
WIRING DIAGRAM	5	SPECIFICATIONS	35
PC BOARD	6		

Accessories



Model name vs remote controller

Model	Destinations	Remote Controller		
		Parts number	Model name	Battery Cover
KRF-V5020	I5, M5, X5, Y5	A70-1264-05	RC-R0711	A09-1123-08
KRF-V5020	E1	A70-1265-05	RC-R0710	A09-1123-08
KRF-V5020	T5	A70-1265-05	RC-R0710	A09-1123-08
KRF-V5020(S)	E2	A70-1265-05	RC-R0710	A09-1123-08
KRF-V5020E	E3	A70-1265-05	RC-R0710	A09-1123-08
KRF-V5020W	Q5	A70-1265-05	RC-R0710	A09-1123-08
KRF-V6020	C6, I6, M6, X6	A70-1264-05	RC-R0711	A09-1123-08
KRF-V6020	E4	A70-1275-05	RC-R0508	A09-0366-08
KRF-V6020E	E5	A70-1265-05	RC-R0710	A09-1123-08
KRF-V6020W	Q6	A70-1265-05	RC-R0710	A09-1123-08
KRF-V7020	E7, T7	A70-1275-05	RC-R0508	A09-0366-08
KRF-V7020E	E8	A70-1275-05	RC-R0508	A09-0366-08
KRF-V7020W	Q7	A70-1275-05	RC-R0508	A09-0366-08
VR-305	K2, P2	A70-1264-05	RC-R0711	A09-1123-08
VR-306	K1, P1	A70-1264-05	RC-R0711	A09-1123-08
VR-355	K3, P3	A70-1271-05	RC-R0608	A09-0366-08

Resetting the Microcomputer

If the microcomputer may malfunction (unit cannot be operated, or shows an erroneous display) if the power cord is unplugged while the power is ON, or due to some other external factor. If this happens, execute the following procedure to reset the microcomputer and return the unit to its normal operating condition.

For U.S.A. and Canada

Unplug the power cord from the wall outlet, then plug it back in while holding down the POWER key.

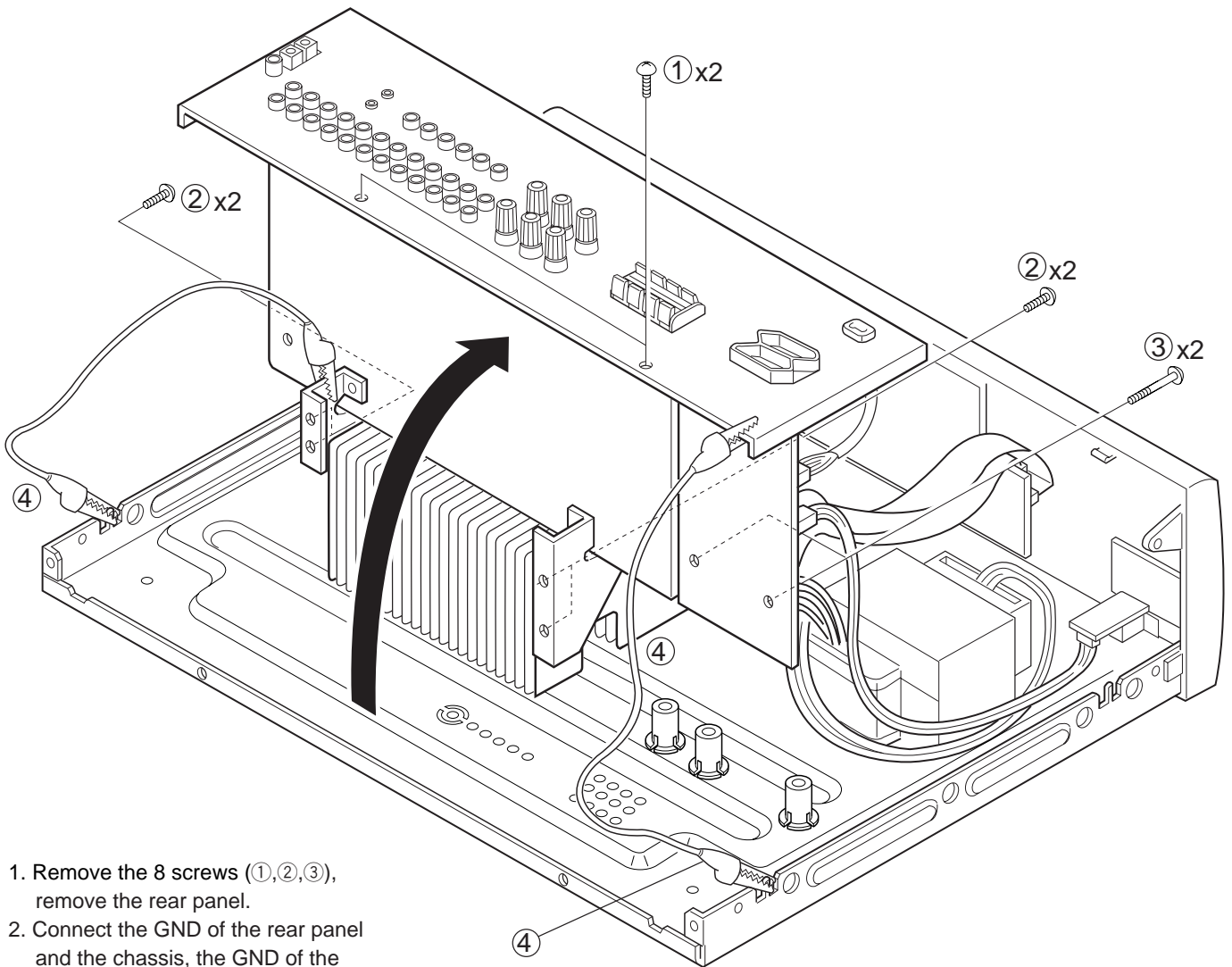
For other countries

With the power cord plugged in, turn the POWER key OFF. Then, while holding down the ON/STANDBY key, press POWER.

- Please note that resetting the microcomputer will clear the contents of the memory and returns the unit to the state it was in when it left the factory.

KRF-V5020/V6020/V7020/VR-305/306/355

DISASSEMBLY FOR REPAIR

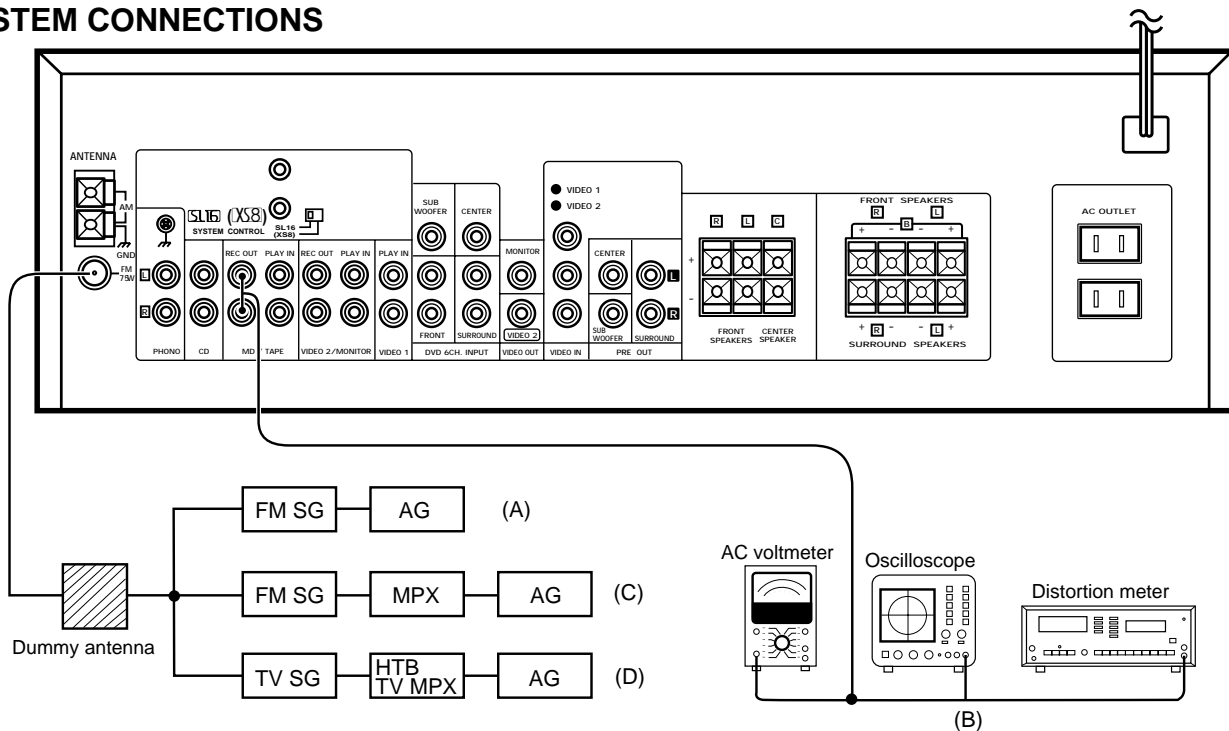


1. Remove the 8 screws (①,②,③), remove the rear panel.
2. Connect the GND of the rear panel and the chassis, the GND of the mounting hardware and the chassis with 2 alligators clip (④)

ADJUSTMENT

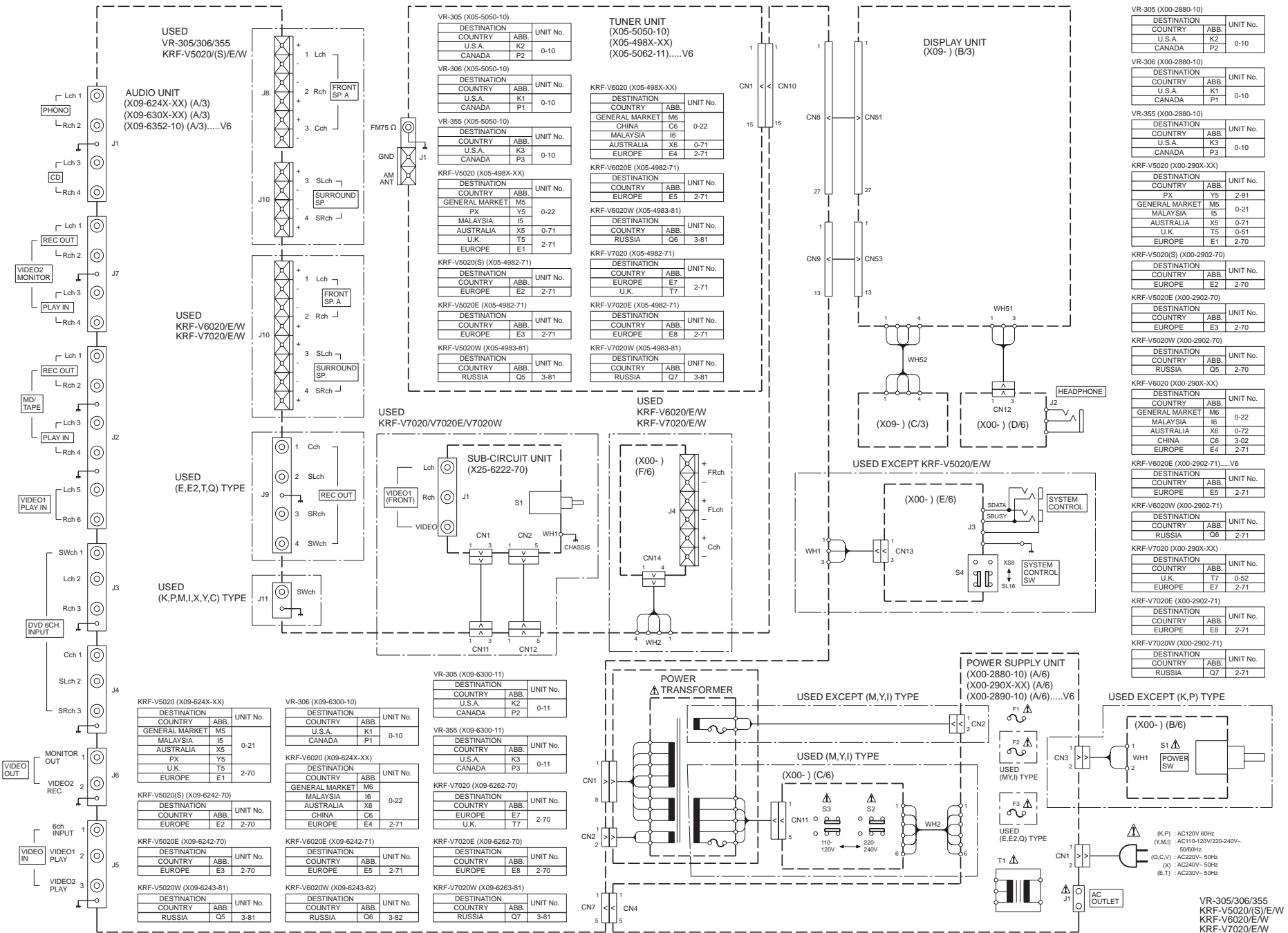
No.	ITEM	INPUT SETTINGS	OUTPUT SETTINGS	RECEIVER SETTINGS	ALIGNMENT POINTS	ALIGN FOR	FIG.
FM SECTION : EXCEPT E,T,Q type SELECTOR : FM							
1	DISTORTION (STEREO)	(C) 98.0MHz 1kHz, ±68.25kHz dev. Selector : L or R Pilot : ±6.75kHz dev. 70dBf (ANT. input)	(B)	98.0MHz	IFT (TUNER UNIT: A1)	Minimum distortion (L or R)	
2	TUNING LEVEL	(A) 98.0MHz MONO 1kHz, ±75kHz dev. 25dBf (ANT. input)	(B)	MONO 98.0MHz	VR1 (TUNER UNIT)	Adjust VR1 and stop at the point where ED51 (TUNED) goes on.	
FM SECTION : E,T,Q type only SELECTOR : FM ※Adjust NO.1 and NO.2 repeat.							
1	DISCRIMINATOR	(A) 98.0MHz 1kHz, ±40kHz dev. 70dBf (ANT. input)	Connect a DC voltmeter between CN2 ① and CN2 ② (TUNER UNIT)	MONO 98.0MHz	L4 (TUNER UNIT)	0V	
2	DISTORTION (MONO)	(A) 98.0MHz 1kHz, ±40kHz dev. MONO 70dBf (ANT. input)	(B)	MONO 98.0MHz	L5 (TUNER UNIT)	Minimum distortion	
3	DISTORTION (STEREO)	(C) 98.0MHz 1kHz, ±40kHz dev. Selector : L or R Pilot : ±6kHz dev. 70dBf (ANT. input)	(B)	AUTO 98.0MHz	IFT (TUNER UNIT : A1)	Minimum distortion (L or R)	
4	TUNING LEVEL	(A) 98.0MHz MONO 1kHz, ±40kHz dev. 29dBf (ANT. input)	(B)	MONO 98.0MHz	VR1 (TUNER UNIT)	Adjust VR1 and stop at the point where ED51 (TUNED) goes on.	

SYSTEM CONNECTIONS



KRF-V5020/V6020/V7020/VR-305/306/355

WIRING DIAGRAM



DESTINATION		UNIT No.	A	B	C	F	R8	R11	R14	R15,36,82	R23	R25	R27,28	R32	R72,73	C8,35,74,89,90	C25	C26	C30,31	C42	C43	C70,71,79,80,82	
U.S.A.	K3	0-10	NO	NO	NO	NO	33	270	NO	3.3K	18K	7.5K	YES	15K	YES	F10-1108	E70-0080-05	L77-2187					
U.S.A.	K3	0-10	NO	NO	NO	NO	33	270	NO	3.3K	18K	7.5K	YES	15K	YES	F10-1108	E70-0080-05	L77-2187					
CANADA	P3	0-10	NO	NO	NO	NO	33	270	NO	3.3K	18K	7.5K	YES	15K	YES	F10-1108	E70-0080-05	L77-2187					

DESTINATION		UNIT No.	A	B	C	F	R8	R11	R14	R15,36,82	R23	R25	R27,28	R32	R72,73	C8,35,74,89,90	C25	C26	C30,31	C42	C43	C70,71,79,80,82	
U.S.A.	K3	0-10	NO	NO	NO	NO	33	270	NO	3.3K	18K	7.5K	YES	15K	YES	F10-1108	E70-0080-05	L77-2187					
U.S.A.	K3	0-10	NO	NO	NO	NO	33	270	NO	3.3K	18K	7.5K	YES	15K	YES	F10-1108	E70-0080-05	L77-2187					
CANADA	P3	0-10	NO	NO	NO	NO	33	270	NO	3.3K	18K	7.5K	YES	15K	YES	F10-1108	E70-0080-05	L77-2187					

DESTINATION		UNIT No.	A	B	C	F	R8	R11	R14	R15,36,82	R23	R25	R27,28	R32	R72,73	C8,35,74,89,90	C25	C26	C30,31	C42	C43	C70,71,79,80,82	
U.S.A.	K3	0-10	NO	NO	NO	NO	33	270	NO	3.3K	18K	7.5K	YES	15K	YES	F10-1108	E70-0080-05	L77-2187					
U.S.A.	K3	0-10	NO	NO	NO	NO	33	270	NO	3.3K	18K	7.5K	YES	15K	YES	F10-1108	E70-0080-05	L77-2187					
CANADA	P3	0-10	NO	NO	NO	NO	33	270	NO	3.3K	18K	7.5K	YES	15K	YES	F10-1108	E70-0080-05	L77-2187					

DESTINATION		UNIT No.	A	B	C	F	R8	R11	R14	R15,36,82	R23	R25	R27,28	R32	R72,73	C8,35,74,89,90	C25	C26	C30,31	C42	C43	C70,71,79,80,82	
U.S.A.	K3	0-10	NO	NO	NO	NO	33	270	NO	3.3K	18K	7.5K	YES	15K	YES	F10-1108	E70-0080-05	L77-2187					
U.S.A.	K3	0-10	NO	NO	NO	NO	33	270	NO	3.3K	18K	7.5K	YES	15K	YES	F10-1108	E70-0080-05	L77-2187					
CANADA	P3	0-10	NO	NO	NO	NO	33	270	NO	3.3K	18K	7.5K	YES	15K	YES	F10-1108	E70-0080-05	L77-2187					

DESTINATION		UNIT No.	A	B	C	F	R8	R11	R14	R15,36,82	R23	R25	R27,28	R32	R72,73	C8,35,74,89,90	C25	C26	C30,31	C42	C43	C70,71,79,80,82	
U.S.A.	K3	0-10	NO	NO	NO	NO	33	270	NO	3.3K	18K	7.5K	YES	15K	YES	F10-1108	E70-0080-05	L77-2187					
U.S.A.	K3	0-10	NO	NO	NO	NO	33	270	NO	3.3K	18K	7.5K	YES	15K	YES	F10-1108	E70-0080-05	L77-2187					
CANADA	P3	0-10	NO	NO	NO	NO	33	270	NO	3.3K	18K	7.5K	YES	15K	YES	F10-1108	E70-0080-05	L77-2187					

DESTINATION		UNIT No.	A	B	C	F	R8	R11	R14	R15,36,82	R23	R25	R27,28	R32	R72,73	C8,35,74,89,90	C25	C26	C30,31	C42	C43	C70,71,79,80,82	
U.S.A.	K3	0-10	NO	NO	NO	NO	33	270	NO	3.3K	18K	7.5K	YES	15K	YES	F10-1108	E70-0080-05	L77-2187					
U.S.A.	K3	0-10	NO	NO	NO	NO	33	270	NO	3.3K	18K	7.5K	YES	15K	YES	F10-1108	E70-0080-05	L77-2187					
CANADA	P3	0-10	NO	NO	NO	NO	33	270	NO	3.3K	18K	7.5K	YES	15K	YES	F10-1108	E70-0080-05	L77-2187					

DESTINATION		UNIT No.	A	B	C	F	R8	R11	R14	R15,36,82	R23	R25	R27,28	R32	R72,73	C8,35,74,89,90	C25	C26	C30,31	C42	C43	C70,71,79,80,82	
U.S.A.	K3	0-10	NO	NO	NO	NO	33	270	NO	3.3K	18K	7.5K	YES	15K	YES	F10-1108	E70-0080-05	L77-2187					
U.S.A.	K3	0-10	NO	NO	NO	NO	33	270	NO	3.3K	18K	7.5K	YES	15K	YES	F10-1108	E70-0080-05	L77-2187					
CANADA	P3	0-10	NO	NO	NO	NO	33	270	NO	3.3K	18K	7.5K	YES	15K	YES	F10-1108	E70-0080-05	L77-2187					

DESTINATION		UNIT No.	A	B	C	F	R8	R11	R14	R15,36,82	R23	R25	R27,28	R32	R72,73	C8,35,74,89,90	C25	C26	C30,31	C42	C43	C70,71,79,80,82	
U.S.A.	K3	0-10	NO	NO	NO	NO	33	270	NO	3.3K	18K	7.5K	YES	15K	YES	F10-1108	E70-0080-05	L77-2187					
U.S.A.	K3	0-10	NO	NO	NO	NO	33	270	NO	3.3K	18K	7.5K	YES	15K	YES	F10-1108	E70-0080-05	L77-2187					
CANADA	P3	0-10	NO	NO	NO	NO	33	270	NO	3.3K	18K	7.5K	YES	15K	YES	F10-1108	E70-0080-05	L77-2187					

DESTINATION		UNIT No.	A	B	C	F	R8	R11	R14	R15,36,82	R23	R25	R27,28	R32	R72,73	C8,35,74,89,90	C25	C26	C30,31	C42	C43	C70,71,79,80,82	
U.S.A.	K3	0-10	NO	NO	NO	NO	33	270	NO	3.3K	18K	7.5K	YES	15K	YES	F10-1108	E70-0080-05	L77-2187					
U.S.A.	K3	0-10	NO	NO	NO	NO	33	270	NO	3.3K	18K	7.5K	YES	15K	YES	F10-1108	E70-0080-05	L77-2187					
CANADA	P3	0-10	NO	NO	NO	NO	33	270	NO	3.3K	18K	7.5K	YES	15K	YES	F10-1108	E70-0080-05	L77-2187					

DESTINATION		UNIT No.	A	B	C	F	R8	R11	R14	R15,36,82	R23	R25	R27,28	R32	R72,73	C8,35,74,89,90	C25	C26	C30,31	C42	C43	C70,71,79,80,82	
U.S.A.	K3	0-10	NO	NO	NO	NO	33	270	NO	3.3K	18K	7.5K	YES	15K	YES	F10-1108	E70-0080-05	L77-2187					
U.S.A.	K3	0-10	NO	NO	NO	NO	33	270	NO	3.3K	18K	7.5K	YES	15K	YES	F10-1108	E70-0080-05	L77-2187					
CANADA	P3	0-10	NO	NO	NO	NO	33	270	NO	3.3K	18K	7.5K	YES	15K	YES	F10-1108	E70-0080-05	L77-2187					

DESTINATION		UNIT No.	A	B	C	F	R8	R11	R14	R15,36,82	R23	R25	R27,28	R32	R72,73	C8,35,74,89,90	C25	C26	C30,31	C42	C43	C70,71,79,80,82	
U.S.A.	K3	0-10	NO	NO	NO	NO	33	270	NO	3.3K	18K	7.5K	YES	15K	YES	F10-1108	E70-0080-05	L77-2187					
U.S.A.	K3	0-10	NO	NO	NO	NO	33	270	NO	3.3K	18K	7.5K	YES	15K	YES	F10-1108	E70-0080-05	L77-2187					
CANADA	P3	0-10	NO	NO	NO	NO	33	270	NO	3.3K	18K	7.5K	YES	15K	YES	F10-1108	E70-0080-05	L77-2187					

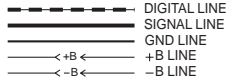
DESTINATION		UNIT No.	A	B	C	F	R8	R11	R14	R15,36,82	R23	R25	R27,28	R32	R72,73	C8,35,74,89,90	C25	C26	C30,31	C42	C43	C70,71,79,80,82	
U.S.A.	K3	0-10	NO	NO	NO	NO	33	270	NO	3.3K	18K	7.5K	YES	15K	YES	F10-1108	E70-0080-05	L77-2187					
U.S.A.	K3	0-10	NO	NO	NO	NO	33	270	NO	3.3K	18K	7.5K	YES	15K	YES	F10-1108	E70-0080-05	L77-2187					
CANADA	P3	0-10	NO	NO	NO	NO	33	270	NO	3.3K	18K	7.5K	YES	15K	YES	F10-1108	E70-0080-05	L77-2187					

CAUTION: For continued safety, replace safety critical components only with manufacturer's recommended parts (refer to parts list). Δ indicates safety critical components. For continued protection against risk of fire, replace only with same type and rating fuse(s). To reduce the risk of electric shock, leakage-current or resistance measurements shall be carried out (exposed parts are acceptably insulated from the supply circuit) before the appliance is returned to the customer.

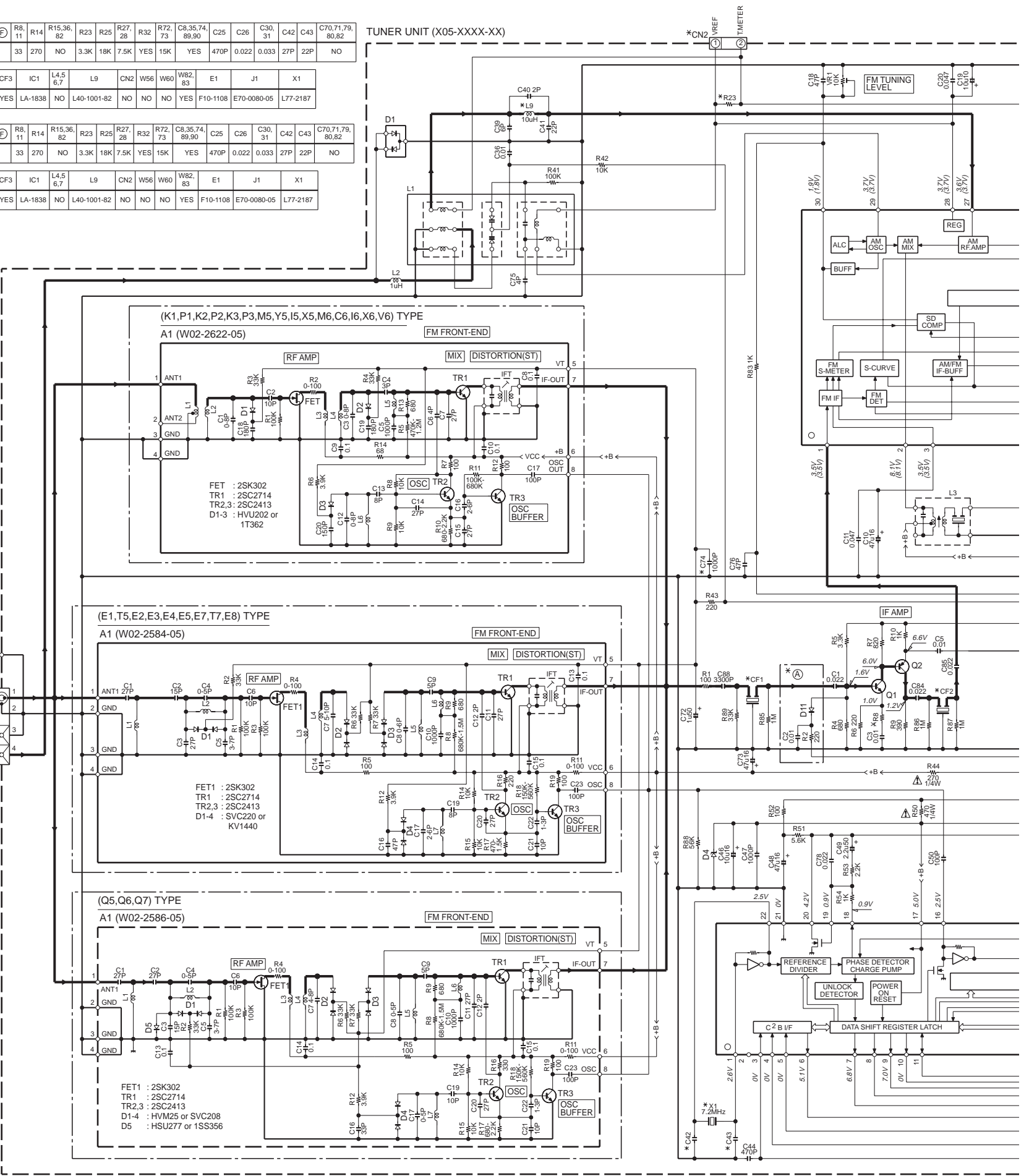
SAA6579T

TC9162AF
TC9164AF

- IC1 : *
- IC2 : LC72131
- Q1,3,4,6,7 : 2SC4081(R,S) or 2SD1819A(Q,R)
- Q2,12,14 : 2SA1576A(R,S) or 2SB1218A(Q,R)
- Q10,11 : 2SD1757K
- D1 : DA204U or MA143A or 1SS302
- D3 : RD8.2ES(B2) or MTZJ8.2(B) or HZS8.2N(B2)
- D4 : RD5.1ES(B2) or MTZJ5.1(B) or HZS5.1N(B2)
- D5 : RD2.7ES(B2) or MTZJ2.7(B) or HZS2.7N(B2)
- D8,11,13 : MA111
- D9 : RD3.3ES(B2) or MTZJ3.3(B) or HZS3.3N(B2)
- A1 : *



TUNER UNIT (X05-XXXX-XX)

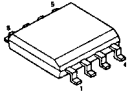


MODE	CARRIER	MODULATION		ANT INPUT
		FREQUENCY	DEVIATION	
FM	98MHz	1kHz	STEREO 67.5kHz 7.5kHz(Pilot)	60dB
AM	1000(999)kHz	400Hz	MONO 30% MOD	60dB

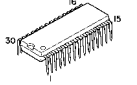
The DC voltage is an actual reading measured with a high impedance type voltmeter as the AM/FM signal generator is specified to the conditions as shown in the list below. The measurement value may vary depending on the measuring instruments used or on the product. The value shown in () is actual reading measured in the AM made.

(X05-XXXX-XX)

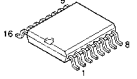
X24C02S



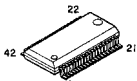
LA1837
LA1838



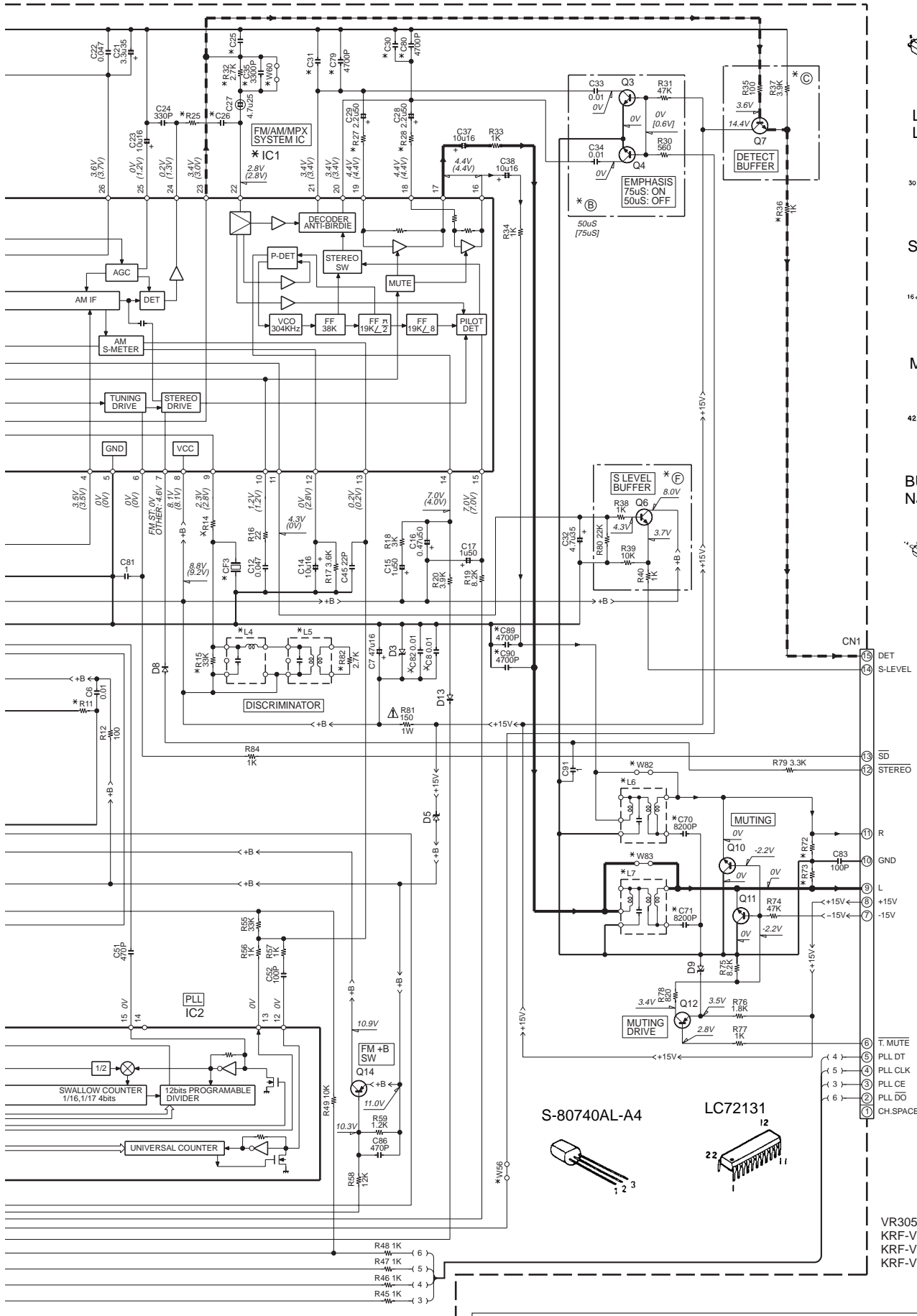
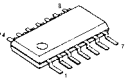
SAA6579T/R



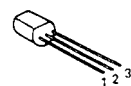
M62446FP



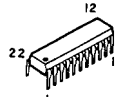
BU4066BCF
NJM2279M



S-80740AL-A4



LC72131



VR305/306/355 (1/3)
KRF-V5020/E/W (1/3)
KRF-V6020/E/W (1/3)
KRF-V7020/E/W (1/3)

KRF-V5020/V6020/V7020/VR-305/306/355

Y05-3782-70

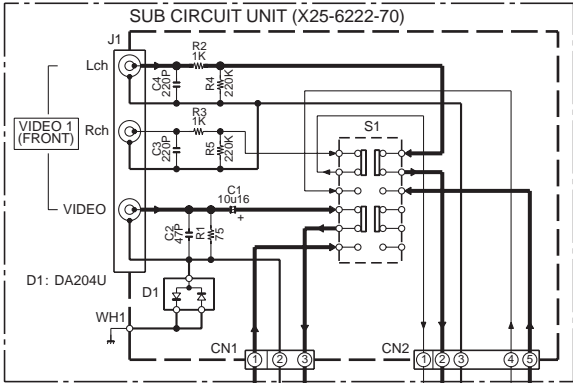
KENWOOD

- IC1 : TA7815SB
 IC2 : TA79015SB
 IC3 : *
 IC4 : *
 IC5 : NUM4580ED
 IC6 : TC9164AF
 IC7 : TC9162AF
 IC8,12,55 : NUM4565MD
 IC9 : M62446FP
 IC16 : M62460FP
 IC17 : BU4066BCF
 IC18 : NUM2279M
 IC19 : M5278L05M
- Q1-11 : 2SC2878(B)
 Q12,40,42 : 2SC4213(B)
 Q13,14 : 2SA1586(Y,GR) or
 2SA1611(M5,M6)
 Q15-19 : 2SC1845(F,E)
 Q20-23 : DTC123JUA
 Q24,25,32-34,36,37 : 2SC3722K(R,S)
 Q26,35 : 2SA1255
 Q29 : 2SC3944A(R,S)
 Q30 : 2SA1285A(F) or
 2SA1123(S,T)
 Q31 : 2SB1640
 Q41 : DTC113ZUA or
 UN5219
- TH1 : PTH9C42BD471Q
- D3,4,7 : MTZJ5.1(B) or
 RD5.1ES(B2)
 D5,6 : MTZJ6.8(B) or
 RD6.8ES(B2)
 D8 : MTZJ11(B) or
 RD11ES(B2)
 D10,12,13 : MTZJ8.2(B) or
 RD8.2ES(B2)
 D11,56 : MTZJ7.5(B) or
 RD7.5ES(B2)
 D14,15 : MTZJ10(B) or
 RD10ES(B2)
 D19-23,26,50-55,59,532,533 : MA111
 D24 : MTZJ4.7(B) or
 RD4.7ES(B2)
 D25 : MTZJ3.3(B) or
 RD3.3ES(B2)
 D31,32 : D4SBL20UF03
 D37,38 : MTZJ16(B) or
 RD16ES(B2)
 D39,40 : MTZJ18(B) or
 RD18ES(B2)
 D530 : S1ZB20(4072)

— SIGNAL LINE
 — GND LINE
 ← +B ← +B LINE
 ← -B ← -B LINE

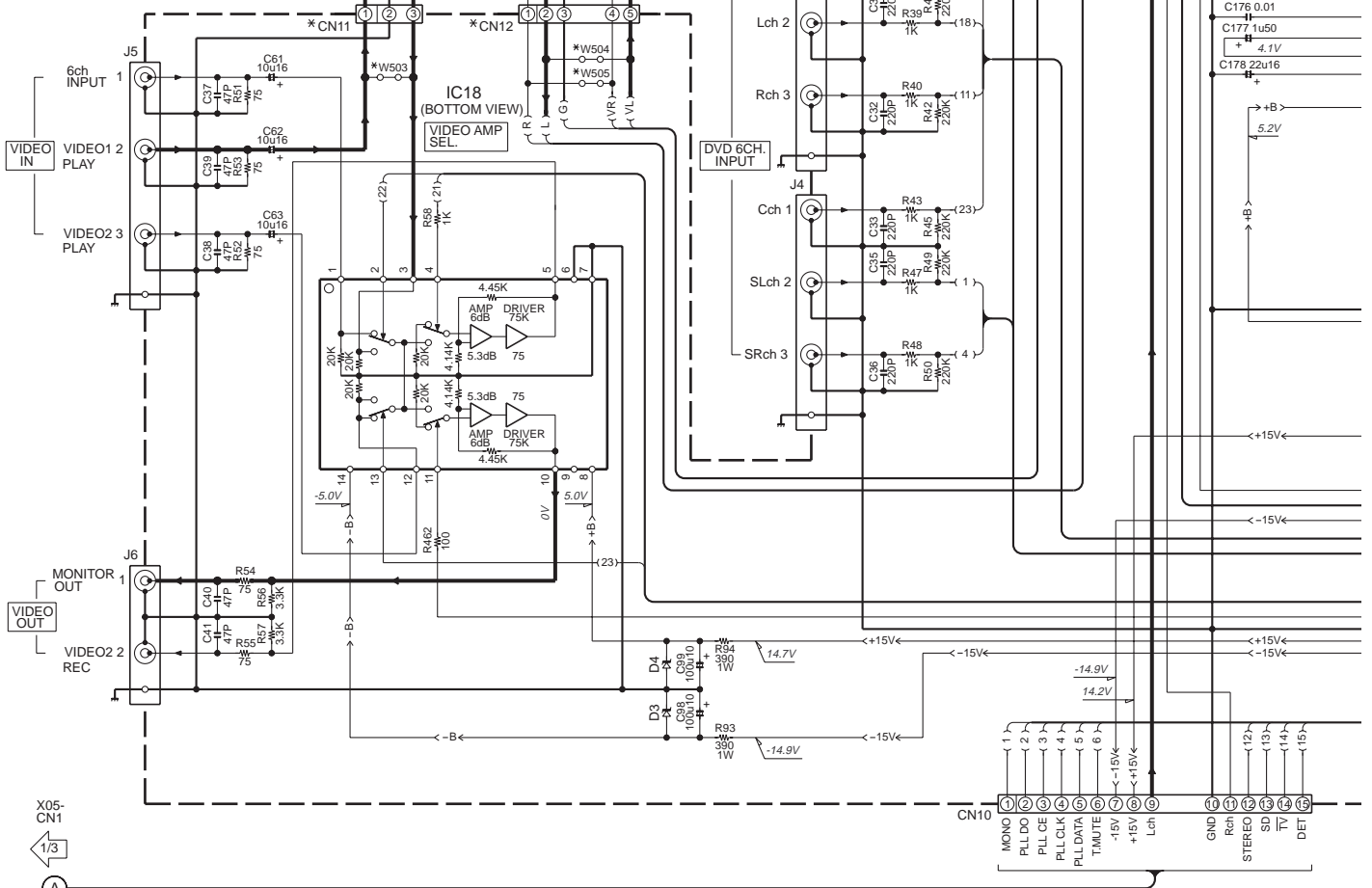
AUDIO UNIT
 (X09-6XXX-XX) (A/3)

USED
 KRF-V7020/E/W

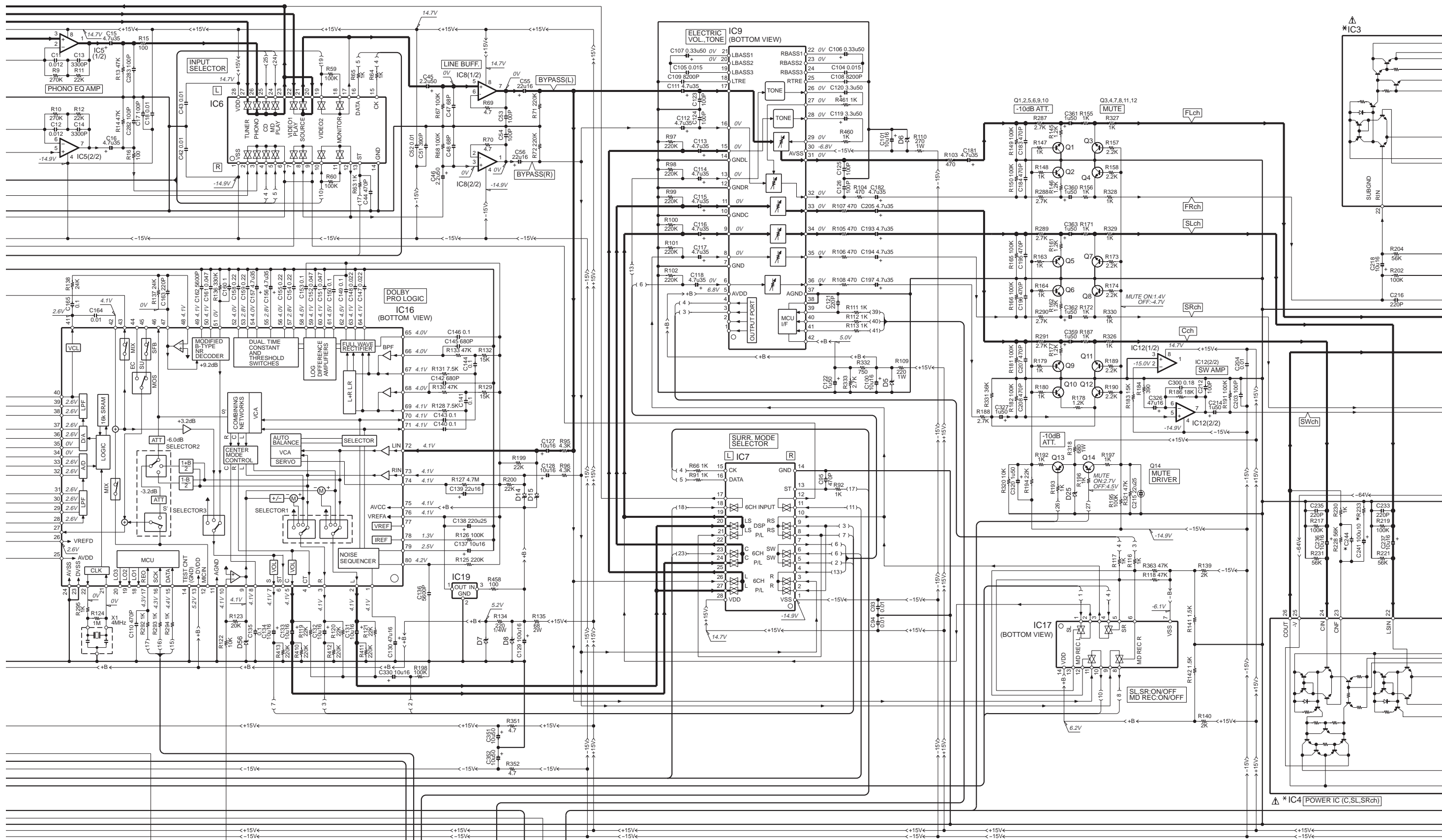


IC18 I/O TABLE

INPUT	OUTPUT			
	⑩ MONITOR	⑤ VIDEO1 REC	② V-A	⑬ V-B
⑫ VIDEO1	○	×	L	L
⑬ VIDEO2	○	○	L	H
① 6ch INPUT	○	○	H	H



X05-CN1
 1/3
 A

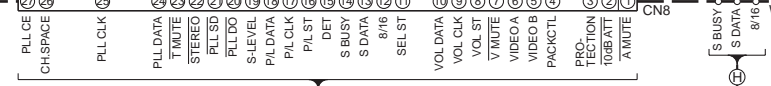


DC VOLTAGE FOR IC3

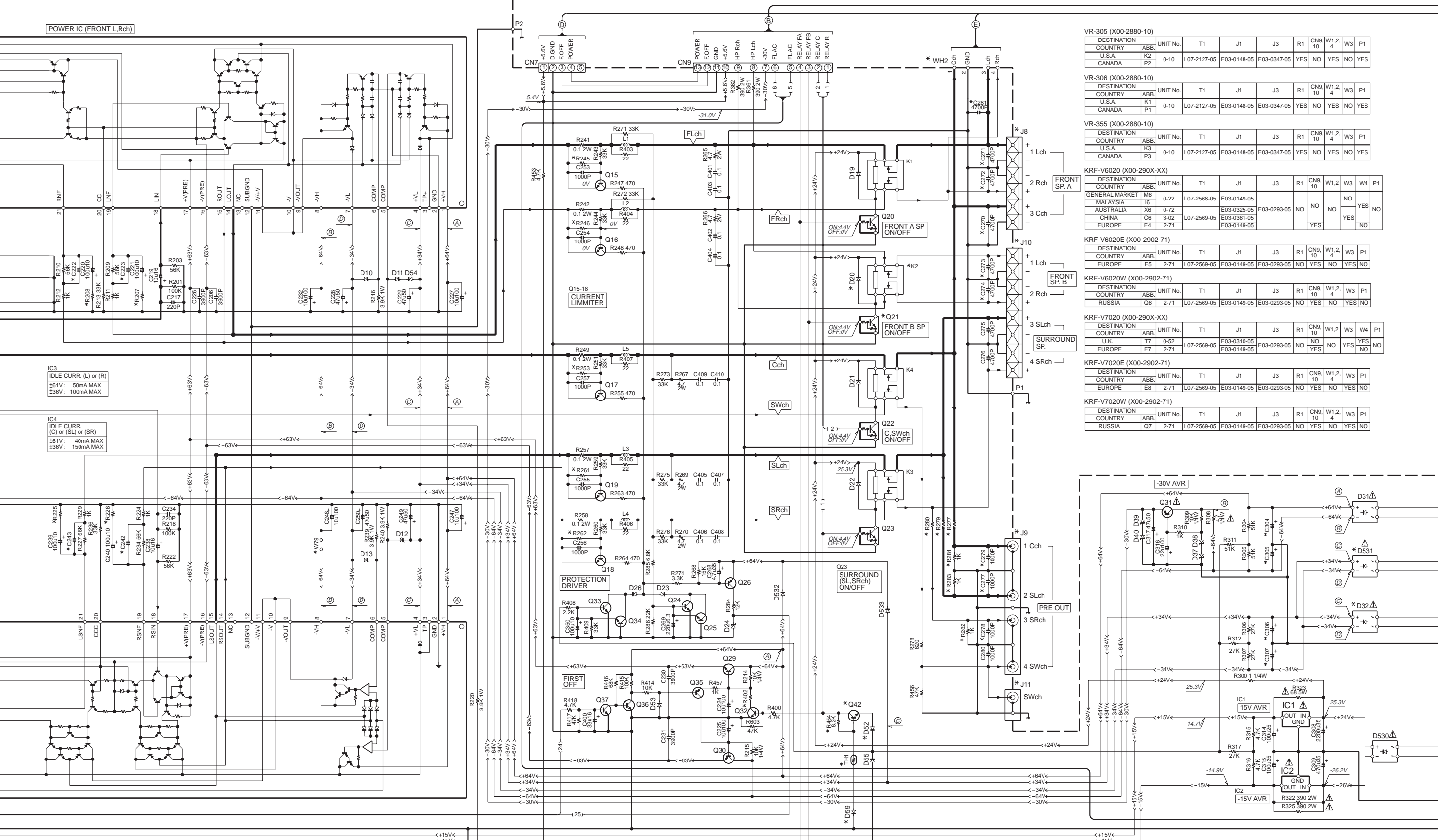
PIN NO	1	2	3	4	5	6	7	8	9	10	11	12	13	14	15	16	17	18	19	20	21	22
KRF-V5020	A	53.0V	-	-	⊖ 32.7V	24.7V	-24.9V	⊕ -32.7V	⊖ -53.0V	-32.3V	-32.3V	-32.3V	-	0V	0V	-48.3V	50.3V	0V	0V	-47.0V	0V	0V
KRF-V6020	A	53.0V	-	-	⊖ 23.5V	15.5V	-15.3V	⊕ -23.5V	⊖ -53.0V	-23.0V	-23.0V	-23.0V	-	0V	0V	-48.3V	50.3V	0V	0V	-47.0V	0V	0V
KRF-V7020	A	53.0V	-	-	⊖ 32.2V	24.3V	-24.3V	⊕ -32.2V	⊖ -53.0V	-31.8V	-31.8V	-31.8V	-	0V	0V	-47.7V	50.0V	0V	0V	-46.4V	0V	0V
VR305	A	53.0V	-	-	⊖ 32.2V	24.3V	-24.3V	⊕ -32.2V	⊖ -53.0V	-31.8V	-31.8V	-31.8V	-	0V	0V	-47.7V	50.0V	0V	0V	-46.4V	0V	0V
VR355	A	53.0V	-	-	⊖ 32.2V	24.3V	-24.3V	⊕ -32.2V	⊖ -53.0V	-31.8V	-31.8V	-31.8V	-	0V	0V	-47.7V	50.0V	0V	0V	-46.4V	0V	0V
VR306	A	58.7V	-	-	⊖ 35.6V	27.4V	-27.4V	⊕ -35.6V	⊖ -58.7V	-35.0V	-35.0V	-35.0V	-	0V	0V	-53.3V	56.1V	0V	0V	-52.1V	0V	0V

DC VOLTAGE FOR IC4

PIN NO	1	2	3	4	5	6	7	
KRF-V5020	A	53.0V	-	-	⊖ 32.7V	24.7V	-24.9V	⊕ -32.7V
KRF-V6020	A	53.0V	-	-	⊖ 23.5V	15.5V	-15.3V	⊕ -23.5V
KRF-V7020	A	53.0V	-	-	⊖ 32.2V	24.3V	-24.3V	⊕ -32.2V
VR305	A	53.0V	-	-	⊖ 32.2V	24.3V	-24.3V	⊕ -32.2V
VR355	A	53.0V	-	-	⊖ 32.2V	24.3V	-24.3V	⊕ -32.2V
VR306	A	58.7V	-	-	⊖ 35.6V	27.4V	-27.4V	⊕ -35.6V



*IC4 [POWER IC (C,SL,SRch)]



IC3
IDLE CURR. (L) or (R)
+161V: 50mA MAX
+136V: 100mA MAX

IC4
IDLE CURR. (C) or (SL) or (SR)
+161V: 40mA MAX
+136V: 150mA MAX

DC VOLTAGE FOR IC4

Pin No	8	9	10	11	12	13	14	15	16	17	18	19	20	21	22	23	24	25	26
KRF-V5020	-53.0V	-32.3V	-32.3V	-32.3V	-	-	0V	0V	-48.3V	50.3V	0V	0V	-47.0V	0V	0V	0V	0V	-32.3V	0V
KRF-V6020	-53.0V	-23.0V	-23.0V	-23.0V	-	-	0V	0V	-48.3V	50.3V	0V	0V	-47.0V	0V	0V	0V	0V	-23.0V	0V
VR305	-53.0V	-31.8V	-31.8V	-31.8V	-	-	0V	0V	-47.7V	50.0V	0V	0V	-46.4V	0V	0V	0V	0V	-31.8V	0V
VR355	-53.0V	-31.8V	-31.8V	-31.8V	-	-	0V	0V	-47.7V	50.0V	0V	0V	-46.4V	0V	0V	0V	0V	-31.8V	0V
VR306	-58.7V	-35.0V	-35.0V	-35.0V	-	-	0V	0V	-53.3V	56.1V	0V	0V	-52.1V	0V	0V	0V	0V	-35.0V	0V

VR-305 (X00-2880-10)

DESTINATION	UNIT No.	T1	J1	J3	R1	CN9	W1,2	W3	P1
COUNTRY	ABB						4		
U.S.A.	K2	0-10	L07-2127-05	E03-0148-05	E03-0347-05	YES	NO	YES	NO
CANADA	P2								

VR-306 (X00-2880-10)

DESTINATION	UNIT No.	T1	J1	J3	R1	CN9	W1,2	W3	P1
COUNTRY	ABB						4		
U.S.A.	K1	0-10	L07-2127-05	E03-0148-05	E03-0347-05	YES	NO	YES	NO
CANADA	P1								

VR-355 (X00-2880-10)

DESTINATION	UNIT No.	T1	J1	J3	R1	CN9	W1,2	W3	P1
COUNTRY	ABB						4		
U.S.A.	K3	0-10	L07-2127-05	E03-0148-05	E03-0347-05	YES	NO	YES	NO
CANADA	P3								

KRF-V6020 (X00-290X-XX)

DESTINATION	UNIT No.	T1	J1	J3	R1	CN9	W1,2	W3	W4	P1
COUNTRY	ABB						4			
GENERAL MARKET	M5	0-22	L07-2568-05	E03-0149-05	E03-0293-05	NO	NO	NO	NO	NO
MALAYSIA	I5									
AUSTRALIA	X6	0-72	E03-0325-05	E03-0361-05	E03-0149-05	NO	NO	YES	NO	NO
CHINA	C6	3-02	L07-2569-05	E03-0361-05	E03-0149-05	NO	NO	YES	NO	NO
EUROPE	E4	2-71	L07-2569-05	E03-0149-05	E03-0293-05	NO	YES	NO	YES	NO

KRF-V6020E (X00-2902-71)

DESTINATION	UNIT No.	T1	J1	J3	R1	CN9	W1,2	W3	P1
COUNTRY	ABB						4		
EUROPE	E5	2-71	L07-2569-05	E03-0149-05	E03-0293-05	NO	YES	NO	YES

KRF-V6020W (X00-2902-71)

DESTINATION	UNIT No.	T1	J1	J3	R1	CN9	W1,2	W3	P1
COUNTRY	ABB						4		
RUSSIA	Q6	2-71	L07-2569-05	E03-0149-05	E03-0293-05	NO	YES	NO	YES

KRF-V7020 (X00-290X-XX)

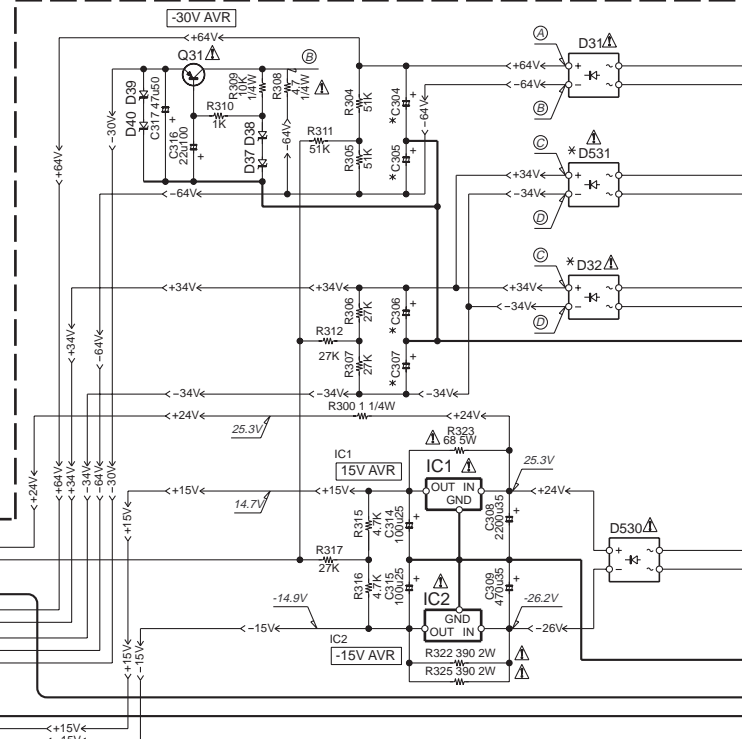
DESTINATION	UNIT No.	T1	J1	J3	R1	CN9	W1,2	W3	W4	P1
COUNTRY	ABB						4			
U.K.	T7	0-52	L07-2569-05	E03-0310-05	E03-0293-05	NO	NO	NO	YES	NO
EUROPE	E7	2-71	L07-2569-05	E03-0149-05	E03-0293-05	NO	YES	NO	YES	NO

KRF-V7020E (X00-2902-71)

DESTINATION	UNIT No.	T1	J1	J3	R1	CN9	W1,2	W3	P1
COUNTRY	ABB						4		
EUROPE	E8	2-71	L07-2569-05	E03-0149-05	E03-0293-05	NO	YES	NO	YES

KRF-V7020W (X00-2902-71)

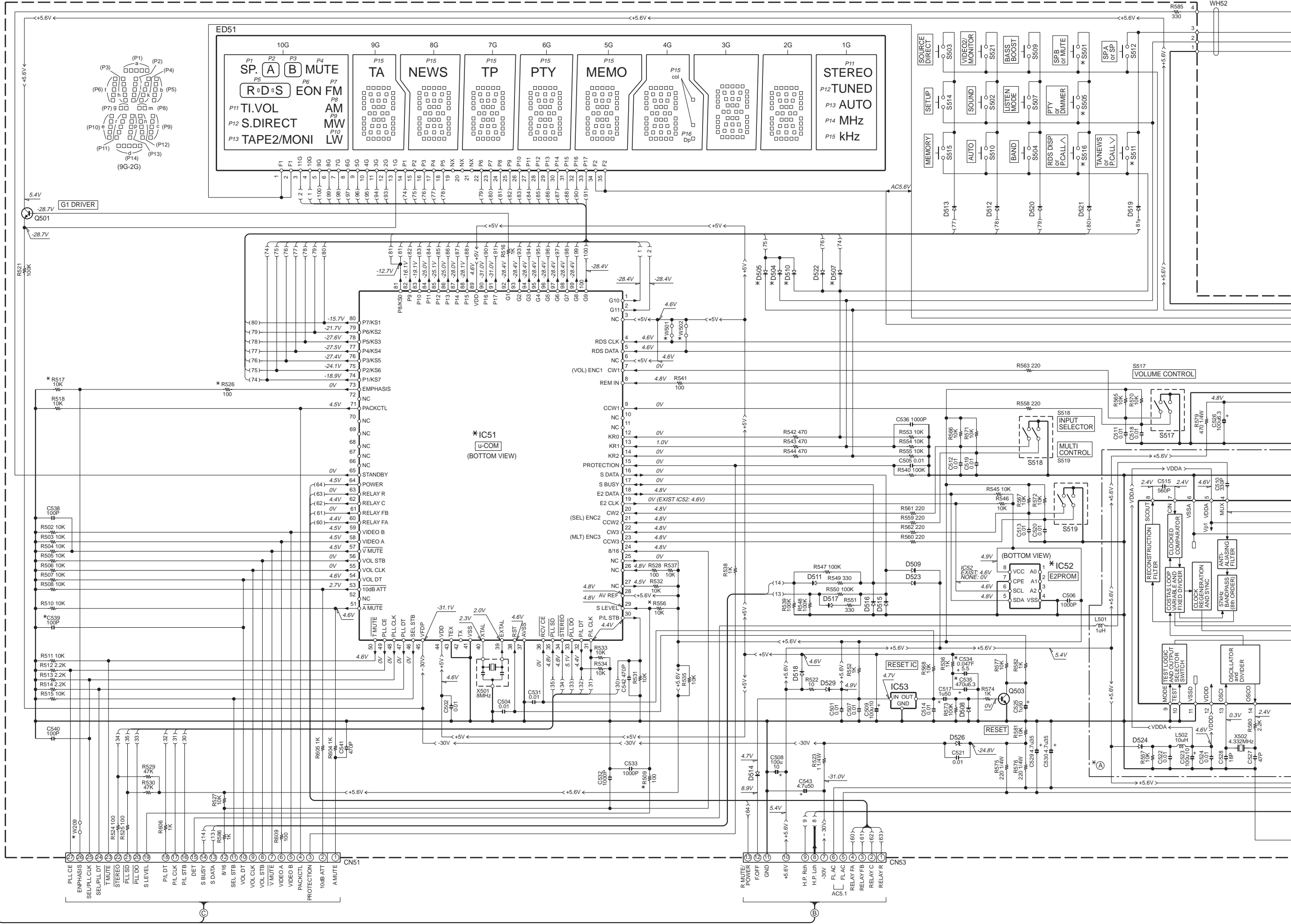
DESTINATION	UNIT No.	T1	J1	J3	R1	CN9	W1,2	W3	P1
COUNTRY	ABB						4		
RUSSIA	Q7	2-71	L07-2569-05	E03-0149-05	E03-0293-05	NO	YES	NO	YES

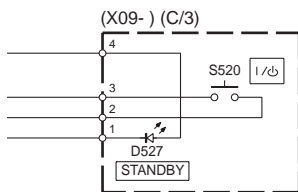


The DC voltage is an actual reading measured with a high impedance type voltmeter with no signal input. The measurement value may vary depending on the measuring instruments used or on the product.

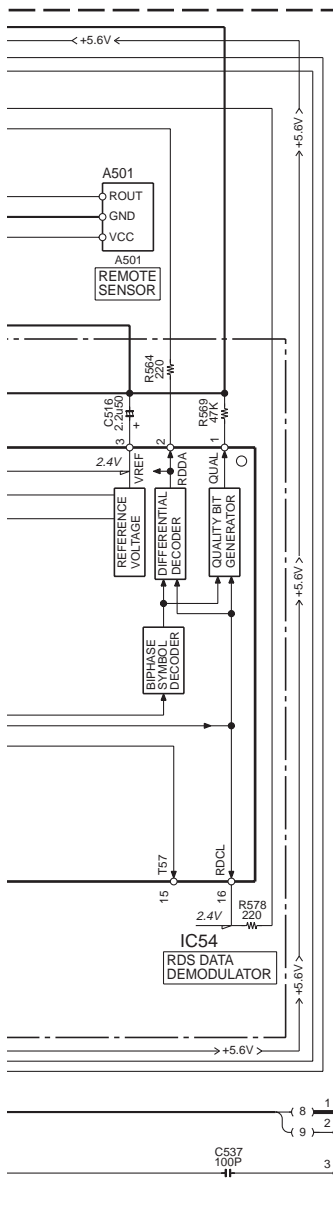
DOLBY and the double-D symbol are trademarks of Dolby Laboratories Licensing Corporation. Noise reduction circuit made under license from Dolby Laboratories Licensing Corporation.

DISPLAY UNIT
(X09-6XXX-XX) (B/3)





IC51	:	*
IC52	:	X24C02S
IC53	:	S-80740AL-A4
IC54	:	SAA6579T/R or SAA6579T
Q501,503	:	2SC4116(Y,GR) or 2SC4177(L5,L6) or
D504,505,507-524,529	:	1SS133 or HSS104A
D526	:	MTZJ6.2(B) or RD6.2ES(B2)
D527	:	B30-2545-05
A501	:	W02-2625-05
ED51	:	11-MT-120GK



VR-305 (X09-6300-11)

DESTINATION	COUNTRY	ABB.	UNIT No.	Ⓐ	C534	C535	D504,505,507,510	IC51	IC52	R509,517,526	R556	S501	S505	S511	S516	W209	W501,502	J2
U.S.A.	K2		0-11	NO	NO	YES	NO	CXP82832-155Q	NO	NO	YES	MUTE	DIMMER	P.CALL ⌵	P.CALL ⌶	NO	YES	E11-0295-05
CANADA	P2																	

VR-306 (X09-6300-10)

DESTINATION	COUNTRY	ABB.	UNIT No.	Ⓐ	C534	C535	D504,505,507,510	IC51	IC52	R509,517,526	R556	S501	S505	S511	S516	W209	W501,502	J2
U.S.A.	K1		0-10	NO	NO	YES	NO	CXP82832-155Q	NO	NO	YES	SB P	DIMMER	P.CALL ⌵	P.CALL ⌶	NO	YES	E11-0295-05
CANADA	P1																	

VR-355 (X09-6300-11)

DESTINATION	COUNTRY	ABB.	UNIT No.	Ⓐ	C534	C535	D504,505,507,510	IC51	IC52	R509,517,526	R556	S501	S505	S511	S516	W209	W501,502	J2
U.S.A.	K3		0-11	NO	NO	YES	NO	CXP82832-155Q	NO	NO	YES	MUTE	DIMMER	P.CALL ⌵	P.CALL ⌶	NO	YES	E11-0295-05
CANADA	P3																	

KRF-V5020 (X09-624X-XX)

DESTINATION	COUNTRY	ABB.	UNIT No.	Ⓐ	C534	C535	D504	D505	D507	D510	IC51	IC52	R509	R517,526,556	S501	S505	S511	S516	W209,501,502	J2		
GENERAL MARKET	M5		0-21	NO			YES	NO							NO	YES	MUTE	DIMMER	P.CALL ⌵	P.CALL ⌶	YES	
MALAYSIA	I5																					
AUSTRALIA	X5				YES	NO																
FX	Y5																					
U.K.	T5		2-70	YES			NO	YES											PTY	(RDS) DISPLAY	TA/NEWS	NO
EUROPE	E1																					

KRF-V5020(S) (X09-6242-70)

DESTINATION	COUNTRY	ABB.	UNIT No.	Ⓐ	C534	C535	D504,507	D505,510	IC51	IC52	R509	R517,526,556	S501	S505	S511	S516	W209,501,502	J2
EUROPE	E2		2-70	YES	YES	NO	NO	YES	CXP82852-136Q	YES	YES	NO	MUTE	PTY	(RDS) DISPLAY	TA/NEWS	NO	E11-0127-05

KRF-V5020E (X09-6242-70)

DESTINATION	COUNTRY	ABB.	UNIT No.	Ⓐ	C534	C535	D504,507	D505,510	IC51	IC52	R509	R517,526,556	S501	S505	S511	S516	W209,501,502	J2
EUROPE	E3		2-70	YES	YES	NO	NO	YES	CXP82852-136Q	YES	YES	NO	MUTE	PTY	(RDS) DISPLAY	TA/NEWS	NO	E11-0127-05

KRF-V5020W (X09-6243-81)

DESTINATION	COUNTRY	ABB.	UNIT No.	Ⓐ	C534	C535	D504,507,510	D505	IC51	IC52	R509	R517,526,556	S501	S505	S511	S516	W209,501,502	J2
RUSSIA	O5		3-81	YES	YES	NO	YES	NO	CXP82852-136Q	YES	YES	NO	MUTE	PTY	(RDS) DISPLAY	TA/NEWS	NO	E11-0127-05

KRF-V6020 (X09-624X-XX)

DESTINATION	COUNTRY	ABB.	UNIT No.	Ⓐ	C534	C535	D504	D505	D507	D510	IC51	IC52	R509	R517,526,556	S501	S505	S511	S516	W209,501,502	J2		
GENERAL MARKET	M6		0-22	NO			YES	NO							NO	YES	SP B	DIMMER	P.CALL ⌵	P.CALL ⌶	YES	
MALAYSIA	I6																					
AUSTRALIA	X6																					
CHINA	C6																					
EUROPE	E4		2-71	YES			NO	YES											PTY	(RDS) DISPLAY	TA/NEWS	NO

KRF-V6020E (X09-6242-71)

DESTINATION	COUNTRY	ABB.	UNIT No.	Ⓐ	C534	C535	D504,507	D505,510	IC51	IC52	R509	R517,526,556	S501	S505	S511	S516	W209,501,502	J2
EUROPE	E5		2-71	YES	YES	NO	NO	YES	CXP82852-136Q	YES	YES	NO	SP B	PTY	(RDS) DISPLAY	TA/NEWS	NO	E11-0127-05

KRF-V6020W (X09-6243-82)

DESTINATION	COUNTRY	ABB.	UNIT No.	Ⓐ	C534	C535	D504,507,510	D505	IC51	IC52	R509	R517,526,556	S501	S505	S511	S516	W209,501,502	J2
RUSSIA	O6		3-82	YES	YES	NO	YES	NO	CXP82852-136Q	YES	YES	NO	SP B	PTY	(RDS) DISPLAY	TA/NEWS	NO	E11-0127-05

KRF-V7020 (X09-6262-70)

DESTINATION	COUNTRY	ABB.	UNIT No.	Ⓐ	C534	C535	D504,507	D505,510	IC51	IC52	R509	R517,526,556	S501	S505	S511	S516	W209,501,502	J2
EUROPE	E7		2-70	YES	YES	NO	NO	YES	CXP82852-136Q	YES	YES	NO	SP B	PTY	(RDS) DISPLAY	TA/NEWS	NO	E11-0127-05
U.K.	T7																	

KRF-V7020E (X09-6262-70)

DESTINATION	COUNTRY	ABB.	UNIT No.	Ⓐ	C534	C535	D504,507	D505,510	IC51	IC52	R509	R517,526,556	S501	S505	S511	S516	W209,501,502	J2
EUROPE	E8		2-70	YES	YES	NO	NO	YES	CXP82852-136Q	YES	YES	NO	SP B	PTY	(RDS) DISPLAY	TA/NEWS	NO	E11-0127-05

KRF-V7020W (X09-6263-81)

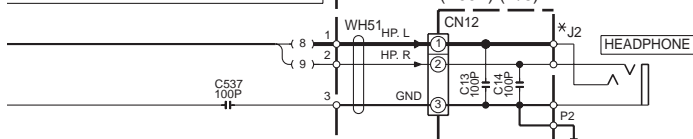
DESTINATION	COUNTRY	ABB.	UNIT No.	Ⓐ	C534	C535	D504,507,510	D505	IC51	IC52	R509	R517,526,556	S501	S505	S511	S516	W209,501,502	J2
RUSSIA	O7		3-81	YES	YES	NO	YES	NO	CXP82852-136Q	YES	YES	NO	SP B	PTY	(RDS) DISPLAY	TA/NEWS	NO	E11-0127-05

VR-305/306/355 (3/3)

KRF-V5010/V5020/V5020E/V5020W/V6020/V6020E/V6020W/V7020/V7020E/V7020W (3/3)

CAUTION: For continued safety, replace safety critical components only with manufacturer's recommended parts (refer to parts list). Ⓐ indicates safety critical components. For continued protection against risk of fire, replace only with same type and rating fuse(s). To reduce the risk of electric shock, leakage-current or resistance measurements shall be carried out (exposed parts are acceptably insulated from the supply circuit) before the appliance is returned to the customer.

(X00-) (D/6)



The DC voltage is an actual reading measured with a high impedance type voltmeter with no signal input. The measurement value may vary depending on the measuring instruments used or on the product.

KRF-V5020/V6020/V7020/VR-305/306/355

* New Parts

Parts without **Parts No.** are not supplied.
Les articles non mentionnés dans le **Parts No.** ne sont pas fournis.
Teile ohne **Parts No.** werden nicht geliefert.

①

Ref. No	Add-ress	New Parts	Parts No.	Description	Desti-nation	Re-marks
KRF-V7020/V7020E/V7020W						
601	1A		A01-3686-01	METALLIC CABINET		
602	1A		A09-0366-08	BATTERY COVER		
604	1A	*	A22-1806-11	SUB PANEL		
605	1A	*	A60-1597-02	PANEL		
606	1A		A70-1275-05	REMOTE CONTROLLER (RC-R0508)		
610	2A		B10-3425-02	FRONT GLASS		
611	1A		B12-0341-04	INDICATOR		
612	1A		B43-0302-04	KENWOOD BADGE		
-	-	-	B46-0310-03	WARRANTY CARD		
-	-	-	B58-0945-03	CAUTION CARD	T7	
-	-	-	B58-0965-13	CAUTION CARD (T,X/PL)	T7	
-	-	-	B58-0966-13	CAUTION CARD (ELM/PL)	E8	
-	-	-	B58-1526-03	CAUTION CARD (P4,ORI,A4,1(Q))	Q7	
-	-	-	B58-1607-03	CAUTION CARD	E8	
-	-	*	B60-4148-00	INSTRUCTION MANUAL(EN)RC	E8T7Q7	
-	-	-	B60-4149-00	INSTRUCTION MANUAL(5-LANG)RC	E7	
-	-	*	B60-4150-00	INSTRUCTION MANUAL(PL/HU/CZ)RC	E8	
-	-	*	B60-4151-00	INSTRUCTION MANUAL(RU)RC	Q7	
-	-	-	B60-4155-00	INSTRUCTION MANUAL(EN)	E8T7Q7	
-	-	-	B60-4156-00	INSTRUCTION MANUAL(FR/NE)	E7	
-	-	-	B60-4157-00	INSTRUCTION MANUAL(IT/ES)	E7	
-	-	-	B60-4158-00	INSTRUCTION MANUAL(GE)	E7	
-	-	-	B60-4159-00	INSTRUCTION MANUAL(PL)	E8	
-	-	-	B60-4160-00	INSTRUCTION MANUAL(HU/CZ)	E8	
-	-	-	B60-4161-00	INSTRUCTION MANUAL(RU)	Q7	
Δ 620	1C		E30-2592-15	AC POWER CORD	E7E8Q7	
Δ 620	1C		E30-2721-05	AC POWER CORD	T7	
621	2B, 1C		E35-2017-05	FLAT CABLE 13P		
622	2B, 1C		E35-2042-05	FLAT CABLE 27P		
Δ F1			F05-3121-05	FUSE (SEMKO) (250V T3.15AL)		
Δ F3			F05-2525-05	FUSE (SEMKO) (250V T2.5AL)	E7E8Q7	
627	1A		G10-0481-04	NON-WOVEN FABRIC		
628	2B		G11-2416-04	CUSHION		
-	-	-	H10-7552-02	POLYSTYRENE FOAMED FIXTURE(L)		
-	-	-	H10-7553-02	POLYSTYRENE FOAMED FIXTURE(R)		
-	-	-	H25-0232-04	PROTECTION BAG (235X350X0.03)	E7E8Q7	
-	-	-	H25-0391-04	PROTECTION BAG		
-	-	-	H25-0651-04	PROTECTION BAG (0232)	T7	
-	-	*	H50-3233-04	ITEM CARTON CASE	E7T7	
-	-	*	H50-3235-04	ITEM CARTON CASE	E8	
-	-	*	H50-3236-04	ITEM CARTON CASE	Q7	
633	2C		J02-1168-03	FOOT GOLD		
634	2B		J19-2808-05	HOLDER		
635	1B		J19-3752-14	UNIT HOLDER		
Δ 638	1C		J42-0083-05	POWER CORD BUSHING		
-	-	-	J61-0081-05	WIRE BAND		
-	-	-	J61-0307-05	WIRE BAND		
640	2A		K27-2275-04	KNOB (BUTTON)	PUSH	
641	1A	*	K27-2342-04	KNOB (BUTTON)	F.AUX	
642	2B		K29-7311-03	KNOB	RDS	
643	2A		K29-7312-04	KNOB	D54	

L : Scandinavia K : USA P : Canada R : Mexico C : China I : Malaysia
Y : PX(Far East, Hawaii) T : Europe E : Europe G : Germany V : China(Shanghai)
Y : AAFES(Europe) X : Australia Q : Russia H : Korea M : Other Areas Δ indicates safety critical components.

* New Parts

Parts without **Parts No.** are not supplied.
Les articles non mentionnés dans le **Parts No.** ne sont pas fournis.
Teile ohne **Parts No.** werden nicht geliefert.

②

Ref. No	Add-ress	New Parts	Parts No.	Description	Desti-nation	Re-marks
644	2A		K29-7313-04	KNOB D33		
Δ 647	1B	*	L07-2699-05	POWER TRANSFORMER	E7E8T7	
Δ 647	1B	*	L07-2700-05	POWER TRANSFORMER	Q7	
650	1A		T90-0833-05	LOOP ANTENNA		
651	1A		T90-0836-05	LEAD WIRE ANTENNA		
KRF-V6020/V6020E/V6020W						
601	1A	*	A01-3613-01	METALLIC CABINET		V6
601	1A	*	A01-3687-01	METALLIC CABINET		C6X6I6
601	1A	*	A01-3687-01	METALLIC CABINET		E4E5Q6
601	1A	*	A01-3687-01	METALLIC CABINET		M6
602	1A	*	A09-0366-08	BATTERY COVER		E4
602	1A	*	A09-1123-08	BATTERY COVER		C6X6I6
602	1A	*	A09-1123-08	BATTERY COVER		E5Q6M6
602	1A	*	A09-1123-08	BATTERY COVER		V6
605	2B	*	A60-1600-01	PANEL		E4E5Q6
605	2B	*	A60-1601-01	PANEL		M6X6I6
605	2B	*	A60-1602-01	PANEL		C6
605	2B	*	A60-1663-01	PANEL		V6
606	1A	*	A70-1264-05	REMOTE CONTROLLER (RC-R0711)		I6
606	1A	*	A70-1264-05	REMOTE CONTROLLER (RC-R0711)		M6C6X6
606	1A	*	A70-1264-05	REMOTE CONTROLLER (RC-R0711)		V6
606	1A	*	A70-1265-05	REMOTE CONTROLLER (RC-R0710)		E5Q6
606	1A	*	A70-1275-05	REMOTE CONTROLLER (RC-R0508)		E4
610	2A		B10-2439-02	FRONT GLASS		V6
610	2A		B10-3425-02	FRONT GLASS		
611	2A		B12-0334-14	INDICATOR		V6
611	2A		B12-0341-04	INDICATOR		
612	2A		B43-0302-04	KENWOOD BADGE		
-	-	-	B46-0096-53	WARRANTY CARD		X6
-	-	-	B46-0310-03	WARRANTY CARD		E4E5Q6
-	-	-	B46-0343-03	WARRANTY CARD		C6
-	-	-	B46-0344-03	WARRANTY CARD		V6
-	-	-	B58-0965-13	CAUTION CARD (T,X/PL)		X6
-	-	-	B58-0966-13	CAUTION CARD (ELM/P)		E4M6I6
-	-	-	B58-1526-03	CAUTION CARD (P4,ORI,A4,1(Q))		Q6
-	-	-	B58-1546-03	CAUTION CARD		C6V6
-	-	-	B58-1607-03	CAUTION CARD		E5
-	-	*	B60-4132-00	INSTRUCTION MANUAL(TC)		M6I6
-	-	*	B60-4149-00	INSTRUCTION MANUAL(5-LAN)RC		E4
-	-	*	B60-4152-00	INSTRUCTION MANUAL(EN)		M6X6I6
-	-	*	B60-4155-00	INSTRUCTION MANUAL(EN)		E5Q6
-	-	*	B60-4156-00	INSTRUCTION MANUAL(FR/NE)		E4
-	-	*	B60-4157-00	INSTRUCTION MANUAL(IT/ES)		E4
-	-	*	B60-4158-00	INSTRUCTION MANUAL(GE)		E4
-	-	*	B60-4159-00	INSTRUCTION MANUAL(PL)		E5
-	-	*	B60-4160-00	INSTRUCTION MANUAL(HU/CZ)		E5
-	-	*	B60-4161-00	INSTRUCTION MANUAL(RU)		Q6
-	-	*	B60-4162-00	INSTRUCTION MANUAL(SC)		C6
Δ 619	1A		E03-0115-05	AC PLUG ADAPTER		M6I6
Δ 620	1C		E30-2592-15	AC POWER CORD		E4E5Q6
Δ 620	1C		E30-2592-15	AC POWER CORD		M6I6
Δ 620	1C		E30-2717-05	AC POWER CORD		X6
Δ 620	1C		E30-2824-15	AC POWER CORD		V6

L : Scandinavia K : USA P : Canada R : Mexico C : China I : Malaysia
Y : PX(Far East, Hawaii) T : Europe E : Europe G : Germany V : China(Shanghai)
Y : AAFES(Europe) X : Australia Q : Russia H : Korea M : Other Areas Δ indicates safety critical components.

PARTS LIST

KRF-V5020/V6020/V7020/VR-305/306/355

* New Parts

Parts without **Parts No.** are not supplied.Les articles non mentionnés dans le **Parts No.** ne sont pas fournis.Teile ohne **Parts No.** werden nicht geliefert.

③

Ref. No	Add-ress	New Parts	Parts No.	Description	Desti-nation	Re-marks
△ 620	1C		E30-2870-05	AC POWER CORD	C6	
621	2B, 1C		E35-2017-05	FLAT CABLE 13P		
622	2B, 1C		E35-2042-05	FLAT CABLE 27P		
△ F1			F05-3121-05	FUSE (SEMKO) (250V T3.15AL)	C6X6I6	
△ F1			F05-3121-05	FUSE (SEMKO) (250V T3.15AL)	E4E5Q6	
△ F1			F05-3121-05	FUSE (SEMKO) (250V T3.15AL)	M6	
△ F1			F50-0101-05	FUSE(SX20) (250V T3.15AL)	V6	
△ F2			F05-3121-05	FUSE (SEMKO) (250V T3.15AL)	M6I6	
△ F3			F05-2525-05	FUSE (SEMKO) (250V T2.5AL)	E4E5Q6	
628	2B		G11-2416-04	CUSHION		
-		*	H10-7552-02	POLYSTYRENE FOAMED FIXTURE(L)	C6X6I6	
-		*	H10-7552-02	POLYSTYRENE FOAMED FIXTURE(L)	E4E5Q6	
-		*	H10-7552-02	POLYSTYRENE FOAMED FIXTURE(L)	M6	
-		*	H10-7553-02	POLYSTYRENE FOAMED FIXTURE(R)	C6X6I6	
-		*	H10-7553-02	POLYSTYRENE FOAMED FIXTURE(R)	E4E5Q6	
-		*	H10-7553-02	POLYSTYRENE FOAMED FIXTURE(R)	M6	
-		*	H10-7554-02	POLYSTYRENE FOAMED FIXTURE	V6	
-		*	H10-7555-02	POLYSTYRENE FOAMED FIXTURE	V6	
-		*	H25-0232-04	PROTECTION BAG (235X350X0.03)		
-		*	H25-0391-04	PROTECTION BAG		
-		*	H50-3237-04	ITEM CARTON CASE	E4X6	
-		*	H50-3238-04	ITEM CARTON CASE	E5	
-		*	H50-3239-04	ITEM CARTON CASE	Q6	
-		*	H50-3240-04	ITEM CARTON CASE	M6I6	
-		*	H50-3241-04	ITEM CARTON CASE	C6	
-		*	H50-3259-04	ITEM CARTON CASE	V6	
633	2C		J02-1167-03	FOOT	V6	
633	2C		J02-1168-03	FOOT GOLD	C6X6I6	
633	2C		J02-1168-03	FOOT GOLD	E4E5Q6	
633	2C		J02-1168-03	FOOT GOLD	M6	
634	2B		J19-2808-05	HOLDER		
635	1B		J19-3752-14	UNIT HOLDER	C6X6I6	
635	1B		J19-3752-14	UNIT HOLDER	E4E5Q6	
635	1B		J19-3752-14	UNIT HOLDER	M6	
635	1B		J19-5787-04	UNIT HOLDER	V6	
△ 638	1C		J42-0083-05	POWER CORD BUSHING		
-			J61-0307-05	WIRE BAND		
640	2A		K27-2185-04	KNOB (BUTTON) PUSH	V6	
640	2A		K27-2275-04	KNOB (BUTTON) PUSH	C6X6I6	
640	2A		K27-2275-04	KNOB (BUTTON) PUSH	E4E5Q6	
640	2A		K27-2275-04	KNOB (BUTTON) PUSH	M6	
642	2B		K29-7310-03	KNOB TUNER	I6	
642	2B		K29-7310-03	KNOB TUNER	M6C6X6	
642	2B		K29-7311-03	KNOB RDS	E4E5Q6	
642	2B		K29-7366-03	KNOB TUNER	V6	
643	2A		K29-7306-14	KNOB D54	V6	
643	2A		K29-7312-04	KNOB D54	C6X6I6	
643	2A		K29-7312-04	KNOB D54	E4E5Q6	
643	2A		K29-7312-04	KNOB D54	M6	
644	2A		K29-7307-14	KNOB D33	V6	
644	2A		K29-7313-04	KNOB D33	C6X6I6	
644	2A		K29-7313-04	KNOB D33	E4E5Q6	

L : Scandinavia K : USA P : Canada R : Mexico C : China I : Malaysia
 Y : PX(Far East, Hawaii) T : Europe E : Europe G : Germany V : China(Shanghai)
 Y : AAFES(Europe) X : Australia Q : Russia H : Korea M : Other Areas ▲ indicates safety critical components.

* New Parts

Parts without **Parts No.** are not supplied.Les articles non mentionnés dans le **Parts No.** ne sont pas fournis.Teile ohne **Parts No.** werden nicht geliefert.

④

Ref. No	Add-ress	New Parts	Parts No.	Description	Desti-nation	Re-marks
644	2A		K29-7313-04	KNOB D33	M6	
645	2B		K29-7309-02	KNOB POWER	C6X6I6	
645	2B		K29-7309-02	KNOB POWER	E4E5Q6	
645	2B		K29-7309-02	KNOB POWER	M6	
645	2B		K29-7365-12	KNOB POWER	V6	
△ 647	1B	*	L07-2702-05	POWER TRANSFORMER	M6I6	
△ 647	1B	*	L07-2703-05	POWER TRANSFORMER	X6	
△ 647	1B	*	L07-2704-05	POWER TRANSFORMER	E4E5	
△ 647	1B	*	L07-2705-05	POWER TRANSFORMER	Q6C6	
△ 647	1B	*	L07-2709-05	POWER TRANSFORMER	V6	
650	1A		T90-0833-05	LOOP ANTENNA		
651	1A		T90-0836-05	LEAD WIRE ANTENNA		
KRF-V5020/V5020E/V5020W/V5020(S)						
601	1A		A01-3650-01	METALLIC CABINET	E2	
601	1A	*	A01-3687-01	METALLIC CABINET	E1E3T5	
601	1A	*	A01-3687-01	METALLIC CABINET	Q5Y5M5	
601	1A	*	A01-3687-01	METALLIC CABINET	X5I5	
602	1A	*	A09-1123-08	BATTERY COVER		
605	2B	*	A60-1598-01	PANEL	E2	
605	2B	*	A60-1604-01	PANEL	Y5	
605	2B	*	A60-1605-01	PANEL	M5X5I5	
605	2B	*	A60-1606-01	PANEL	E1E3T5	
605	2B	*	A60-1606-01	PANEL	Q5	
606	1A	*	A70-1264-05	REMOTE CONTROLLER(RC-R0711)	I5	
606	1A	*	A70-1264-05	REMOTE CONTROLLER(RC-R0711)	Y5M5X5	
606	1A	*	A70-1265-05	REMOTE CONTROLLER(RC-R0710)	E1E2E3	
606	1A	*	A70-1265-05	REMOTE CONTROLLER(RC-R0710)	T5Q5	
610	2A		B10-3425-02	FRONT GLASS		
611	2A		B12-0341-04	INDICATOR		
612	2A		B43-0302-04	KENWOOD BADGE		
-			B46-0096-53	WARRANTY CARD	X5	
-			B46-0310-03	WARRANTY CARD	E1E2E3	
-			B46-0310-03	WARRANTY CARD	T5Q5	
-			B46-0330-03	WARRANTY CARD	Y5	
-			B58-0513-04	CAUTION CARD (PRESET220-240)	Y5	
-			B58-0945-03	CAUTION CARD	T5	
-			B58-0964-13	CAUTION CARD (UL)	Y5	
-			B58-0965-13	CAUTION CARD (T,X/PL)	T5X5	
-			B58-0966-13	CAUTION CARD (ELM/PL)	E1E2M5	
-			B58-0966-13	CAUTION CARD (ELM/PL)	I5	
-			B58-1526-03	CAUTION CARD (P4,ORI,A4,1(Q))	Q5	
-			B58-1607-03	CAUTION CARD	E3	
-			B59-1104-00	SERVICE DIRECTORY	Y5	
-			B60-4132-00	INSTRUCTION MANUAL(TC)	I5	
-			B60-4152-00	INSTRUCTION MANUAL(EN)	I5	
-			B60-4152-00	INSTRUCTION MANUAL(EN)	Y1M5X5	
-		*	B60-4154-00	INSTRUCTION MANUAL(ES/TC)	M5	
-			B60-4155-00	INSTRUCTION MANUAL(EN)	E3T5Q5	
-			B60-4156-00	INSTRUCTION MANUAL(FR/EN)	E1E2	
-			B60-4157-00	INSTRUCTION MANUAL(IT/ES)	E1E2	
-			B60-4158-00	INSTRUCTION MANUAL(GE)	E1E2	
-			B60-4159-00	INSTRUCTION MANUAL(PL)	E3	
-			B60-4160-00	INSTRUCTION MANUAL(HU/CZ)	E3	
-			B60-4161-00	INSTRUCTION MANUAL(RU)	Q5	

L : Scandinavia K : USA P : Canada R : Mexico C : China I : Malaysia
 Y : PX(Far East, Hawaii) T : Europe E : Europe G : Germany V : China(Shanghai)
 Y : AAFES(Europe) X : Australia Q : Russia H : Korea M : Other Areas ▲ indicates safety critical components.

PARTS LIST

KRF-V5020/V6020/V7020/NR-305/306/355

* New Parts

Parts without **Parts No.** are not supplied.
Les articles non mentionnés dans le **Parts No.** ne sont pas fournis.
Teile ohne **Parts No.** werden nicht geliefert.

5

Ref. No	Add-ress	New Parts	Parts No.	Description	Desti-nation	Re-marks
Δ 619	1A		E03-0115-05	AC PLUG ADAPTER	M5I5	
Δ 620	1C		E30-2592-15	AC POWER CORD	E1E2E3	
Δ 620	1C		E30-2592-15	AC POWER CORD	Q5M5I5	
Δ 620	1C		E30-2605-05	AC POWER CORD	Y5	
Δ 620	1C		E30-2717-05	AC POWER CORD	X5	
Δ 620	1C		E30-2721-05	AC POWER CORD	T5	
Δ 621	2B, 1C		E35-2017-05	FLAT CABLE 13P		
Δ 622	2B, 1C		E35-2042-05	FLAT CABLE 27P		
Δ F1			F05-3121-05	FUSE (SEMKO) (250V T3.15AL)		
Δ F2			F05-3121-05	FUSE (SEMKO) (250V T3.15AL)	Y5M5I5	
Δ F3			F05-2525-05	FUSE (SEMKO) (250V T2.5AL)	E1E2E3	
Δ F3			F05-2525-05	FUSE (SEMKO) (250V T2.5AL)	Q5	
628	2B		G11-2416-04	CUSHION		
-			H10-7552-02	POLYSTYRENE FOAMED FIXTURE(L)		
-			H10-7553-02	POLYSTYRENE FOAMED FIXTURE(R)		
-			H25-0232-04	PROTECTION BAG (235X350X0.03)	E1E2E3	
-			H25-0232-04	PROTECTION BAG (235X350X0.03)	Q5Y5M5	
-			H25-0232-04	PROTECTION BAG (235X350X0.03)	X5I5	
-			H25-0391-04	PROTECTION BAG		
-			H25-0651-04	PROTECTION BAG (0232)	T5	
-		*	H50-3243-04	ITEM CARTON CASE	E1T5Y5	
-		*	H50-3243-04	ITEM CARTON CASE	X5	
-		*	H50-3244-04	ITEM CARTON CASE	M5I5	
-		*	H50-3245-04	ITEM CARTON CASE	E3	
-		*	H50-3246-04	ITEM CARTON CASE	Q5	
-		*	H50-3257-04	ITEM CARTON CASE	E2	
633	2C		J02-1168-03	FOOT GOLD	E1E2E3	
633	2C		J02-1168-03	FOOT GOLD	T5Q5M5	
633	2C		J02-1168-03	FOOT GOLD	X5I5	
633	2C		J02-1407-03	FOOT TIN (D=46,H=14.5,T)	Y5	
634	2B		J19-2808-05	HOLDER		
Δ 635	1B		J19-3752-14	UNIT HOLDER		
Δ 638	1C		J42-0083-05	POWER CORD BUSHING		
-			J61-0307-05	WIRE BAND		
640	2A		K27-2275-04	KNOB (BUTTON) PUSH	E1E3T5	
640	2A		K27-2275-04	KNOB (BUTTON) PUSH	I5	
640	2A		K27-2275-04	KNOB (BUTTON) PUSH	Q5M5X5	
640	2A		K27-2293-04	KNOB (BUTTON) PUSH,GOLD	Y5	
640	2A		K27-2312-04	KNOB (BUTTON) PUSH,SILVER	E2	
642	2B		K29-7310-03	KNOB TUNER	M5X5I5	
642	2B		K29-7311-03	KNOB RDS	E1E3T5	
642	2B		K29-7311-03	KNOB RDS	Q5	
642	2B		K29-7323-03	KNOB TUNER,GOLD	Y5	
642	2B		K29-7428-03	KNOB TUNER,SILVER	E2	
643	2A		K29-7312-04	KNOB D54	E1E3T5	
643	2A		K29-7312-04	KNOB D54	I5	
643	2A		K29-7312-04	KNOB D54	Q5M5X5	
643	2A		K29-7325-04	KNOB D54,GOLD	Y5	
643	2A		K29-7429-04	KNOB D54,SILVER	E2	
644	2A		K29-7313-04	KNOB D33	E1E3T5	
644	2A		K29-7313-04	KNOB D33	I5	
644	2A		K29-7313-04	KNOB D33	Q5M5X5	
644	2A		K29-7326-04	KNOB D33,GOLD	Y5	
644	2A		K29-7430-04	KNOB D33,SILVER	E2	

L : Scandinavia K : USA P : Canada R : Mexico C : China I : Malaysia
Y : PX(Far East, Hawaii) T : Europe G : Germany V : China(Shanghai)
Y : AAFES(Europe) X : Australia Q : Russia H : Korea M : Other Areas Δ indicates safety critical components.

* New Parts

Parts without **Parts No.** are not supplied.
Les articles non mentionnés dans le **Parts No.** ne sont pas fournis.
Teile ohne **Parts No.** werden nicht geliefert.

5

Ref. No	Add-ress	New Parts	Parts No.	Description	Desti-nation	Re-marks
645	2B		K29-7309-02	KNOB POWER	E1E3T5	
645	2B		K29-7309-02	KNOB POWER	I5	
645	2B		K29-7309-02	KNOB POWER	Q5M5X5	
645	2B		K29-7321-02	KNOB POWER,GOLD	Y5	
645	2B		K29-7427-02	KNOB POWER,SILVER	E2	
Δ 647	1B		L07-2702-05	POWER TRANSFORMER	Y5M5I5	
Δ 647	1B		L07-2703-05	POWER TRANSFORMER	X5	
Δ 647	1B		L07-2704-05	POWER TRANSFORMER	E1E2E3	
Δ 647	1B		L07-2704-05	POWER TRANSFORMER	T5	
Δ 647	1B		L07-2705-05	POWER TRANSFORMER	Q5	
650	1A		T90-0833-05	LOOP ANTENNA		
651	1A		T90-0836-05	LEAD WIRE ANTENNA		
VR-305/306/355						
601	1A		A01-3533-01	METALLIC CABINET		
602	1A		A09-0366-08	BATTERY COVER	K3P3	
602	1A	*	A09-1123-08	BATTERY COVER	K1P1K2	
602	1A	*	A09-1123-08	BATTERY COVER	P2	
605	1B	*	A60-1596-01	PANEL	K1P1	
605	1B	*	A60-1603-01	PANEL	K2P2	
605	1B	*	A60-1607-01	PANEL	K3P3	
606	1A	*	A70-1264-05	REMOTE CONTROLLER(RC-R0711)	K1P1K1	
606	1A	*	A70-1264-05	REMOTE CONTROLLER(RC-R0711)	P2	
606	1A	*	A70-1271-05	REMOTE CONTROLLER(RC-R0608)	K3P3	
610	2A		B10-2439-02	FRONT GLASS		
611	2A		B12-0334-14	INDICATOR		
612	2A		B43-0302-04	KENWOOD BADGE		
-			B46-0197-00	QUESTIONNAIRE CARD	K1K2K3	
-			B46-0330-03	WARRANTY CARD	K1K2K3	
-			B46-0336-03	WARRANTY CARD	P1P2P3	
-			B58-0964-13	CAUTION CARD (UL)	K1K2K3	
-			B58-0967-03	CAUTION CARD (P/PL)	P1P2P3	
-		*	B60-4144-00	INSTRUCTION MANUAL(EN)RC	K3P3	
-		*	B60-4145-00	INSTRUCTION MANUAL(FR)RC	P3	
-		*	B60-4152-00	INSTRUCTION MANUAL(EN)		
-		*	B60-4153-00	INSTRUCTION MANUAL(FR)	P1P2P3	
Δ 620	1C	*	E30-2909-05	AC POWER CORD		
621	2B, 1C		E35-2017-05	FLAT CABLE 13P		
622	2B, 1C		E35-2042-05	FLAT CABLE 27P		
Δ F1			F50-0077-05	FUSE(5X20)		
628	2B	*	G11-2415-04	CUSHION		
-		*	H10-7554-02	POLYSTYRENE FOAMED FIXTURE(L)		
-		*	H10-7555-02	POLYSTYRENE FOAMED FIXTURE(R)		
-		*	H25-0232-04	PROTECTION BAG (235X350X0.03)		
-		*	H25-0391-04	PROTECTION BAG		
-		*	H50-3232-04	ITEM CARTON CASE	K1P1	
-		*	H50-3242-04	ITEM CARTON CASE	K2P2	
-		*	H50-3247-04	ITEM CARTON CASE	K3P3	
633	2C		J02-1405-03	FOOT (D=46,H=14.5,T)		
634	2B		J19-2808-05	HOLDER		
635	1B		J19-5787-04	UNIT HOLDER		
Δ 638	1C		J42-0083-05	POWER CORD BUSHING		
-			J61-0307-05	WIRE BAND		

L : Scandinavia K : USA P : Canada R : Mexico C : China I : Malaysia
Y : PX(Far East, Hawaii) T : Europe G : Germany V : China(Shanghai)
Y : AAFES(Europe) X : Australia Q : Russia H : Korea M : Other Areas Δ indicates safety critical components.

PARTS LIST

KRF-V5020/V6020/V7020/VR-305/306/355

* New Parts
 Parts without **Parts No.** are not supplied.
 Les articles non mentionnes dans le **Parts No.** ne sont pas fournis.
 Teile ohne **Parts No.** werden nicht geliefert.

7

Ref. No	Add-ress	New Parts	Parts No.	Description	Desti-nation	Re-marks
640	2A		K29-6939-12	KNOB		
642	2B		K29-6898-03	KNOB TUNER		
643	2A		K29-6880-04	KNOB D54		
644	2A		K29-6881-04	KNOB D33		
△ 647	1B	*	L07-2697-05	POWER TRANSFORMER	K1P1	
△ 647	1B	*	L07-2701-05	POWER TRANSFORMER	K2P2K3	
△ 647	1B	*	L07-2701-05	POWER TRANSFORMER	P3	
650	1A		T90-0833-05	LOOP ANTENNA		
651	1A		T90-0836-05	LEAD WIRE ANTENNA		
POWER SUPPLY (X00-2880-10/X00-2890-10/X00-2902-70)						
C5, 6			CK45FF1H103Z	CERAMIC 0.010UF Z		
C7			CE04DW1E331M	ELECTRO 330UF J 25WV		
C8			CK45FB1H102K	CERAMIC 1000PF K		
C9			CK45FF1H103Z	CERAMIC 0.010UF Z		
C10			CE04KW1C470M	ELECTRO 47UF 16WV		
C11			CE04KW1V4R7M	ELECTRO 4.7UF 35WV		
C13, 14			CC45FSL1H101J	CERAMIC 100PF J	KPXCET	
C13, 14			CC45FSL1H101J	CERAMIC 100PF J	QMIY	
C13, 14			CC45FSL1H151J	CERAMIC 150PF J	V	
C21, 22			CC45FSL1H221J	CERAMIC 220PF J		
C23-25			CK45FF1H472Z	CERAMIC 4700PF Z	67	
C26			C91-1488-05	MF 6800PF 250VAC	V	
CN1			E40-4245-05	PIN ASSY		
CN2			E40-4245-05	PIN ASSY	EQXTCV	
CN2			E40-4245-05	PIN ASSY	KP	
CN3			E40-4245-05	PIN ASSY	EQXTCV	
CN3			E40-4245-05	PIN ASSY	YMI	
CN4			E40-8197-05	SOCKET FOR PIN ASSY		
CN11			E40-4281-05	PIN ASSY	YMI	
CN12, 13			E40-3247-05	PIN ASSY		
CN14			E40-4101-05	PIN ASSY	67	
△ J1			E03-0149-05	AC OUTLET	EQMI	
△ J1			E03-0310-05	AC OUTLET	T	
△ J1			E03-0325-05	AC OUTLET	X	
△ J1			E03-0361-05	AC OUTLET	CV	
J2			E11-0127-05	PHONE JACK (3P)	ETQMIY	
J2			E11-0127-05	PHONE JACK (3P)	XC	
J2			E11-0295-05	PHONE JACK (3P)	KPV	
J3			E11-0293-05	MINIATURE PHONE JACK(2P)	ETQMIYXC	
J3			E11-0347-05	MINIATURE PHONE JACK(2P)	KPV	
J4			E70-0100-05	SCREW TERMINAL BOARD	67	
CN5, 6			J13-0075-05	FUSE CLIP		
CN7, 8			J13-0075-05	FUSE CLIP	YMI	
CN9, 10			J13-0075-05	FUSE CLIP	EQ	
E1			J11-0808-05	WIRE CLAMPER		
△ T1			L07-2127-05	POWER TRANSFORMER	KP	
△ T1			L07-2129-05	POWER TRANSFORMER	V	
△ T1			L07-2568-05	POWER TRANSFORMER	YMI	
△ T1			L07-2569-05	POWER TRANSFORMER	EQXTC	
△ R1			R92-1844-05	CARBON 3.3M J 1/2W	KP	
△ K1			S76-0070-05	MAGNETIC RELAY		
△ S1			S68-0088-05	PUSH SWITCH	V	

L : Scandinavia K : USA P : Canada R : Mexico C : China I : Malaysia
 Y : PX(Far East, Hawaii) T : Europe E : Europe G : Germany V : China(Shanghai)
 Y : AAFES(Europe) X : Australia Q : Russia H : Korea M : Other Areas △ indicates safety critical components.

* New Parts
 Parts without **Parts No.** are not supplied.
 Les articles non mentionnes dans le **Parts No.** ne sont pas fournis.
 Teile ohne **Parts No.** werden nicht geliefert.

8

Ref. No	Add-ress	New Parts	Parts No.	Description	Desti-nation	Re-marks
△ S1			S68-0100-05	PUSH SWITCH	EQXTC	
△ S1			S68-0100-05	PUSH SWITCH	YMI	
△ S2, 3			S62-0001-05	SLIDE SWITCH	YMI	
△ S4			S62-0034-05	SLIDE SWITCH		
△ D1-4			S5688B	DIODE		
△ D1-4			1SR139-400	DIODE		
D5			HZS6.2N(B2)	ZENER DIODE		
D5			MTZJ6.2(B)	ZENER DIODE		
D5			RD6.2ES(B2)	ZENER DIODE		
△ D6, 7			HSS104A	DIODE		
△ D6, 7			1SS133	DIODE		
△ D8			HZS2.7N(B2)	ZENER DIODE		
△ D8			MTZJ2.7(B)	ZENER DIODE		
△ D8			RD2.7ES(B2)	ZENER DIODE		
D9			HSS104A	DIODE		
D9			1SS133	DIODE		
△ Q1			2SC3940A(R,S)	TRANSISTOR		
△ Q2			2SC2003(L,K)	TRANSISTOR		
TUNER (X05-4982-71/X05-5050-10/X05-5062-11)						
C1			CK73FB1H223K	CHIP C 0.022UF K		
C2			CK73FB1H103K	CHIP C 0.010UF K	EQT	
C3			CK73FB1H103K	CHIP C 0.010UF K		
C5, 6			CK73FB1H103K	CHIP C 0.010UF K		
C7			CE04LW1C470M	ELECTRO 47UF 16WV		
C8			CK73EB1H103K	CHIP C 0.010UF K	KP	
C8			CK73EB1H103K	CHIP C 0.010UF K	MCXYIV	
C10			CE04LW1C470M	ELECTRO 47UF 16WV		
C11, 12			CK73FB1H473K	CHIP C 0.047UF K		
C14			CE04LW1C100M	ELECTRO 10UF 16WV		
C15			CE04LW1H010M	ELECTRO 1.0UF 50WV		
C16			C90-3251-05	ELECTRO 0.47UF 50WV		
C17			CE04LW1H010M	ELECTRO 1.0UF 50WV		
C18			CC73FCH1H470J	CHIP C 47PF J		
C19			C90-3217-05	ELECTRO 10UF 10WV		
C20			CK73FB1H473K	CHIP C 0.047UF K		
C21			C90-3241-05	ELECTRO 3.3UF 35WV		
C22			CK73FB1H473K	CHIP C 0.047UF K		
C23			CE04LW1C100M	ELECTRO 10UF 16WV		
C24			CK73FB1H331K	CHIP C 330PF K		
C25			CC73FCH1H181J	CHIP C 180PF J	EQT	
C25			CC73FCH1H471J	CHIP C 470PF J	KP	
C25			CC73FCH1H471J	CHIP C 470PF J	MCXYIV	
C26			CK73FB1H183K	CHIP C 0.018UF K	EQT	
C26			CK73FB1H223K	CHIP C 0.022UF K	KP	
C26			CK73FB1H223K	CHIP C 0.022UF K	MCXYIV	
C27			CE04HW1E4R7M	NP-ELEC 4.7UF 25WV		
C28, 29			CE04LW1H2R2M	ELECTRO 2.2UF 50WV		
C30, 31			CK73FB1H223K	CHIP C 0.022UF K	EQXTMC	
C30, 31			CK73FB1H223K	CHIP C 0.022UF K	YIV	
C30, 31			CK73FB1H333K	CHIP C 0.033UF K	KP	
C32			CE04LW1V4R7M	ELECTRO 4.7UF 35WV		
C33, 34			CK73FB1H103K	CHIP C 0.010UF K	MCIYV	
C35			CK73FB1H332K	CHIP C 3300PF K	KP	
C35			CK73FB1H332K	CHIP C 3300PF K	MCXYIV	

L : Scandinavia K : USA P : Canada R : Mexico C : China I : Malaysia
 Y : PX(Far East, Hawaii) T : Europe E : Europe G : Germany V : China(Shanghai)
 Y : AAFES(Europe) X : Australia Q : Russia H : Korea M : Other Areas △ indicates safety critical components.

* New Parts
 Parts without **Parts No.** are not supplied.
 Les articles non mentionnés dans le **Parts No.** ne sont pas fournis.
 Teile ohne **Parts No.** werden nicht geliefert.



Ref. No	Add-ress	New Parts	Parts No.	Description	Desti-nation	Re-marks
C36			CK73FB1H103K	CHIP C 0.010UF K		
C37, 38			CE04LW1C100M	ELECTRO 10UF 16WV		
C39			CC73FCH1H060D	CHIP C 6.0PF D		
C40			CC73FCH1H020C	CHIP C 2.0PF C		
C41			CC73FCH1H220J	CHIP C 22PF J		
C42			CC73FCH1H120J	CHIP C 12PF J	EQTMXC	
C42			CC73FCH1H120J	CHIP C 12PF J	YI	
C42			CC73FCH1H270J	CHIP C 27PF J	KPV	
C43			CC73FCH1H100D	CHIP C 10PF D	EQTMXC	
C43			CC73FCH1H100D	CHIP C 10PF D	YI	
C43			CC73FCH1H220J	CHIP C 22PF J	KPV	
C44			CK73FB1H471K	CHIP C 470PF K		
C45			CC73FCH1H220J	CHIP C 22PF J		
C46			CE04LW1C100M	ELECTRO 10UF 16WV		
C47			CK73FB1H102K	CHIP C 1000PF K		
C48			CE04LW1C470M	ELECTRO 47UF 16WV		
C49			CE04LW1H2R2M	ELECTRO 2.2UF 50WV		
C50			CC73FSL1H101J	CHIP C 100PF J		
C51			CK73FB1H471K	CHIP C 470PF K		
C52			CC73FSL1H101J	CHIP C 100PF J		
C70, 71			CK73FB1H822K	CHIP C 8200PF K	EQT	
C72			CE04LW1H010M	ELECTRO 1.0UF 50WV		
C73			CE04LW1C470M	ELECTRO 47UF 16WV		
C74			CK73FB1H102K	CHIP C 1000PF K	KP	
C75			CC73FCH1H040C	CHIP C 4.0PF C		
C76			CC73FCH1H470J	CHIP C 47PF J		
C78			CK73FB1H223K	CHIP C 0.022UF K		
C79, 80			CK73FB1H472K	CHIP C 4700PF K	EQT	
C81			CK73FF1C105Z	CHIP C 1.0UF Z		
C82			CK73FB1H103K	CHIP C 0.010UF K	EQT	
C83			CC73FSL1H101J	CHIP C 100PF J		
C84, 85			CK73FB1H223K	CHIP C 0.022UF K		
C86			CK73FB1H471K	CHIP C 470PF K		
C88			CK73FB1H332K	CHIP C 3300PF K		
C89, 90			CK73FB1H472K	CHIP C 4700PF K	KP	
C89, 90			CK73FB1H472K	CHIP C 4700PF K	MCXYIV	
C91			CK73FF1C105Z	CHIP C 1.0UF Z		
CN1			E40-9831-05	SOCKET FOR PIN ASSY		
CN2			E40-4871-05	PIN ASSY	EQT	
J1			E20-0321-05	LOCK TERMINAL BOARD(2P,F)	EQTMXC	
J1			E20-0321-05	LOCK TERMINAL BOARD(2P,F)	YI	
J1			E70-0052-05	LOCK TERMINAL BOARD	EQTMXC	
J1			E70-0052-05	LOCK TERMINAL BOARD	YI	
J1			E70-0080-05	LOCK TERMINAL BOARD	KPV	
CF1, 2			L72-0531-05	CERAMIC FILTER	MCXYIV	
CF1, 2			L72-0536-05	CERAMIC FILTER	EQT	
CF1, 2			L72-0596-05	CERAMIC FILTER	KP	
CF3			L72-0607-05	CERAMIC FILTER	KP	
CF3			L72-0607-05	CERAMIC FILTER	MCXYIV	
L1			L39-1366-05	COMBINATION COIL		
L2			L40-1091-17	SMALL FIXED INDUCTOR(1UH)		
L3			L30-0911-05	AM IFT		
L4			L30-0950-05	FM IFT	EQT	
L5			L30-0951-05	FM IFT	EQT	

L : Scandinavia K : USA P : Canada R : Mexico C : China I : Malaysia
 Y : PX(Far East, Hawaii) T : Europe E : Europe G : Germany V : China(Shanghai)
 Y : AAFES(Europe) X : Australia O : Russia H : Korea M : Other Areas Δ indicates safety critical components.

* New Parts
 Parts without **Parts No.** are not supplied.
 Les articles non mentionnés dans le **Parts No.** ne sont pas fournis.
 Teile ohne **Parts No.** werden nicht geliefert.



Ref. No	Add-ress	New Parts	Parts No.	Description	Desti-nation	Re-marks
L6, 7			L79-1239-05	LC FILTER	EQT	
L9			L40-1001-17	SMALL FIXED INDUCTOR(10UH,K)	EQXTMC	
L9			L40-1001-17	SMALL FIXED INDUCTOR(10UH,K)	YI	
L9			L40-1001-82	SMALL FIXED INDUCTOR(10UH)	KPV	
X1			L77-2187-05	CRYSTAL RESONATOR	KPV	
X1			L77-2232-05	CRYSTAL RESONATOR	EQTMXC	
X1			L77-2232-05	CRYSTAL RESONATOR	YI	
R1			RK73FB2A101J	CHIP R 100 J 1/10W		
R4			RK73FB2A681J	CHIP R 680 J 1/10W		
R5			RK73FB2A332J	CHIP R 3.3K J 1/10W		
R6			RK73FB2A221J	CHIP R 220 J 1/10W		
R7			RK73FB2A821J	CHIP R 820 J 1/10W		
R8			RK73FB2A100J	CHIP R 10 J 1/10W	EQT	
R8			RK73FB2A330J	CHIP R 33 J 1/10W	KP	
R8			RK73FB2A330J	CHIP R 33 J 1/10W	MCXYIV	
R9			RK73FB2A391J	CHIP R 390 J 1/10W		
R10			RK73FB2A102J	CHIP R 1.0K J 1/10W		
R11			RK73FB2A220J	CHIP R 22 J 1/10W	EQT	
R11			RK73FB2A330J	CHIP R 33 J 1/10W	KP	
R11			RK73FB2A330J	CHIP R 33 J 1/10W	MCXYIV	
R12			RK73FB2A101J	CHIP R 100 J 1/10W		
R14			RK73FB2A101J	CHIP R 100 J 1/10W	EQT	
R14			RK73FB2A271J	CHIP R 270 J 1/10W	KP	
R14			RK73FB2A271J	CHIP R 270 J 1/10W	MCXYIV	
R15			RK73FB2A333J	CHIP R 33K J 1/10W	EQT	
R16			RK73FB2A220J	CHIP R 22 J 1/10W		
R17			RK73FB2A362J	CHIP R 3.6K J 1/10W		
R18			RK73FB2A302J	CHIP R 3.0K J 1/10W		
R19			RK73FB2A822J	CHIP R 8.2K J 1/10W		
R20			RK73FB2A392J	CHIP R 3.9K J 1/10W		
R23			RK73FB2A153J	CHIP R 15K J 1/10W	EQT	
R23			RK73FB2A332J	CHIP R 3.3K J 1/10W	KP	
R23			RK73FB2A332J	CHIP R 3.3K J 1/10W	MCXYIV	
R25			RK73FB2A183J	CHIP R 18K J 1/10W	KP	
R25			RK73FB2A183J	CHIP R 18K J 1/10W	MCXYIV	
R25			RK73FB2A273J	CHIP R 27K J 1/10W	EQT	
R27, 28			RK73FB2A432J	CHIP R 4.3K J 1/10W	EQT	
R27, 28			RK73FB2A752J	CHIP R 7.5K J 1/10W	KP	
R27, 28			RK73FB2A752J	CHIP R 7.5K J 1/10W	MCXYIV	
R30			RK73FB2A561J	CHIP R 560 J 1/10W	MCIYV	
R31			RK73FB2A473J	CHIP R 47K J 1/10W	MCIYV	
R32			RK73FB2A272J	CHIP R 2.7K J 1/10W	KP	
R32			RK73FB2A272J	CHIP R 2.7K J 1/10W	MCXYIV	
R33, 34			RK73FB2A102J	CHIP R 1.0K J 1/10W		
R35			RK73FB2A101J	CHIP R 100 J 1/10W	EQT	
R36			RK73FB2A102J	CHIP R 1.0K J 1/10W	EQT	
R37			RK73FB2A392J	CHIP R 3.9K J 1/10W	EQT	
R38			RK73FB2A102J	CHIP R 1.0K J 1/10W	EQT	
R39			RK73FB2A103J	CHIP R 10K J 1/10W	EQT	
R42			RK73FB2A103J	CHIP R 10K J 1/10W		
R43			RK73FB2A221J	CHIP R 220 J 1/10W		
Δ R44			RD14NB2E271J	RD 270 J 1/4W		
R45			RK73EB2B102J	CHIP R 1.0K J 1/8W		
R46			RK73FB2A102J	CHIP R 1.0K J 1/10W		

L : Scandinavia K : USA P : Canada R : Mexico C : China I : Malaysia
 Y : PX(Far East, Hawaii) T : Europe E : Europe G : Germany V : China(Shanghai)
 Y : AAFES(Europe) X : Australia O : Russia H : Korea M : Other Areas Δ indicates safety critical components.

KRF-V5020/V6020/V7020/VR-305/306/355
PARTS LIST

* New Parts
 Parts without **Parts No.** are not supplied.
 Les articles non mentionnés dans le **Parts No.** ne sont pas fournis.
 Teile ohne **Parts No.** werden nicht geliefert.



Ref. No	Add-ress	New Parts	Parts No.	Description	Desti-nation	Re-marks
R47			RK73EB2B102J	CHIP R 1.0K J 1/8W		
R48			RK73FB2A102J	CHIP R 1.0K J 1/10W		
R49			RK73FB2A103J	CHIP R 10K J 1/10W		
R50			RD14NB2E471J	RD 470 J 1/4W		
R51			RK73FB2A562J	CHIP R 5.6K J 1/10W		
R52			RK73FB2A101J	CHIP R 100 J 1/10W		
R53			RK73FB2A222J	CHIP R 2.2K J 1/10W		
R54			RK73FB2A102J	CHIP R 1.0K J 1/10W		
R55			RK73FB2A333J	CHIP R 33K J 1/10W		
R56, 57			RK73FB2A102J	CHIP R 1.0K J 1/10W		
R58			RK73FB2A123J	CHIP R 12K J 1/10W		
R59			RK73FB2A122J	CHIP R 1.2K J 1/10W		
R72, 73			RK73FB2A153J	CHIP R 15K J 1/10W	KP	
R72, 73			RK73FB2A392J	CHIP R 3.9K J 1/10W	EQT	
R72, 73			RK73FB2A822J	CHIP R 8.2K J 1/10W	MCXYIV	
R74			RK73FB2A473J	CHIP R 47K J 1/10W		
R75			RK73FB2A822J	CHIP R 8.2K J 1/10W		
R76			RK73FB2A182J	CHIP R 1.8K J 1/10W		
R78			RK73FB2A821J	CHIP R 820 J 1/10W		
R79			RK73FB2A332J	CHIP R 3.3K J 1/10W		
R80			RK73FB2A223J	CHIP R 22K J 1/10W	EQT	
R81			RS14KB3A151J	FL-PROOF RS 150 J 1W		
R82			RK73FB2A272J	CHIP R 2.7K J 1/10W	EQT	
R83			RK73FB2A102J	CHIP R 1.0K J 1/10W		
R84			RK73EB2B102J	CHIP R 1.0K J 1/8W		
R85-87			RK73FB2A105J	CHIP R 1.0M J 1/10W		
R88			RK73FB2A563J	CHIP R 56K J 1/10W		
R89			RK73FB2A333J	CHIP R 33K J 1/10W		
VR1			R32-0037-05	SEMI FIXED VARIABLE RESISTOR		
W51, 52			R92-0670-05	CHIP R 0 OHM		
W53			R92-0670-05	CHIP R 0 OHM	EQTMXC	
W53			R92-0670-05	CHIP R 0 OHM	YI	
W54, 55			R92-0670-05	CHIP R 0 OHM		
W56			R92-0670-05	CHIP R 0 OHM	MCXYIV	
W59			R92-0670-05	CHIP R 0 OHM		
W60			R92-0670-05	CHIP R 0 OHM	EQT	
W62			R92-0670-05	CHIP R 0 OHM		
W80			R92-0679-05	CHIP R 0 OHM		
W82, 83			R92-0679-05	CHIP R 0 OHM	KP	
W82, 83			R92-0679-05	CHIP R 0 OHM	MCXYIV	
W84, 85			R92-0679-05	CHIP R 0 OHM		
D1			DA204U	DIODE		
D1			MA143A	DIODE		
D1			1SS302	DIODE		
D3			HZS8.2N(B2)	ZENER DIODE		
D3			MTZJ8.2(B)	ZENER DIODE		
D3			RD8.2ES(B2)	ZENER DIODE		
D4			HZS5.1N(B2)	ZENER DIODE		
D4			MTZJ5.1(B)	ZENER DIODE		
D4			RD5.1ES(B2)	ZENER DIODE		
D5			HZS2.7N(B2)	ZENER DIODE		
D5			MTZJ2.7(B)	ZENER DIODE		
D5			RD2.7ES(B2)	ZENER DIODE		
D8			MA111	DIODE		

L : Scandinavia K : USA P : Canada R : Mexico C : China I : Malaysia
 Y : PX(Far East, Hawaii) T : Europe E : Europe G : Germany V : China(Shanghai)
 Y : AAFES(Europe) X : Australia Q : Russia H : Korea M : Other Areas indicates safety critical components.

PARTS LIST

* New Parts
 Parts without **Parts No.** are not supplied.
 Les articles non mentionnés dans le **Parts No.** ne sont pas fournis.
 Teile ohne **Parts No.** werden nicht geliefert.



Ref. No	Add-ress	New Parts	Parts No.	Description	Desti-nation	Re-marks
D9			HZS3.3N(B2)	ZENER DIODE		
D9			MTZJ3.3(B)	ZENER DIODE		
D9			RD3.3ES(B2)	ZENER DIODE		
D11			MA111	DIODE	EQT	
D13			MA111	DIODE		
IC1			LA1837	ANALOGUE IC	EQT	
IC1			LA1838	ANALOGUE IC	KP	
IC1			LA1838	ANALOGUE IC	MCXYIV	
IC2			LC72131	MOS-IC		
Q1			2SC4081(R,S)	TRANSISTOR		
Q1			2SD1819A(Q,R)	TRANSISTOR		
Q2			2SA1576A(R,S)	TRANSISTOR		
Q2			2SB1218A(Q,R)	TRANSISTOR		
Q3, 4			2SC4081(R,S)	TRANSISTOR	MCXYIV	
Q3, 4			2SD1819A(Q,R)	TRANSISTOR	MCXYIV	
Q6, 7			2SC4081(R,S)	TRANSISTOR	EQT	
Q6, 7			2SD1819A(Q,R)	TRANSISTOR	EQT	
Q10, 11			2SD1757K	TRANSISTOR		
Q12			2SA1576A(R,S)	TRANSISTOR		
Q12			2SB1218A(Q,R)	TRANSISTOR		
Q14			2SA1576A(R,S)	TRANSISTOR		
Q14			2SB1218A(Q,R)	TRANSISTOR		
A1			W02-2584-05	FM FRONT-END ASSY	ET	
A1			W02-2586-05	FM FRONT-END ASSY	Q	
A1			W02-2622-05	FM FRONT-END ASSY	KP	
A1			W02-2622-05	FM FRONT-END ASSY	MCXYIV	
POWER (X09-6242-70/X09-6262-70/X09-6352-10/X09-6300-10)						
D527			B30-2545-05	LED(RED3(160))		
C1, 2			CC73FSL1H220J	CHIP C 22PF J		
C3, 4			CE04KW1C100M	ELECTRO 10UF 16WV		
C5, 6			CC73FSL1H820J	CHIP C 82PF J		
C7, 8			CE04KW1A470M	ELECTRO 47UF 10WV		
C11, 12			CQ93FMG1H123J	MYLAR 0.012UF J		
C13, 14			CQ93FMG1H332J	MYLAR 3300PF J		
C15, 16			CE04KW1V4R7M	ELECTRO 4.7UF 35WV		
C17			CC45FSL1H101J	CERAMIC 100PF J		
C18			CK45FF1H103Z	CERAMIC 0.010UF Z		
C19-36			CC73FSL1H221J	CHIP C 220PF J		
C37-41			CC73FCH1H470J	CHIP C 47PF J		
C42, 43			CK73FB1H103K	CHIP C 0.010UF K		
C44			CC73FSL1H471J	CHIP C 470PF J		
C45, 46			CE04KW1H2R2M	ELECTRO 2.2UF 50WV		
C47, 48			CC73FSL1H680J	CHIP C 68PF J		
C51			CK45FB1H391K	CERAMIC 390PF K		
C52			CK45FF1H103Z	CERAMIC 0.010UF Z		
C53, 54			CC73FSL1H101J	CHIP C 100PF J		
C55, 56			CE04KW1C220M	ELECTRO 22UF 16WV		
C61-63			CE04KW1C100M	ELECTRO 10UF 16WV		
C93, 94			CK45FF1H103Z	CERAMIC 0.010UF Z		
C95			CC73FSL1H471J	CHIP C 470PF J		
C98, 99			CE04KW1A101M	ELECTRO 100UF 10WV		
C100, 101			CE04KW1C100M	ELECTRO 10UF 16WV		
C104, 105			CK73FB1H153K	CHIP C 0.015UF K		

L : Scandinavia K : USA P : Canada R : Mexico C : China I : Malaysia
 Y : PX(Far East, Hawaii) T : Europe E : Europe G : Germany V : China(Shanghai)
 Y : AAFES(Europe) X : Australia Q : Russia H : Korea M : Other Areas indicates safety critical components.

* New Parts

Parts without **Parts No.** are not supplied.
Les articles non mentionnés dans le **Parts No.** ne sont pas fournis.
Teile ohne **Parts No.** werden nicht geliefert.

13

Ref. No	Add-ress	New Parts	Parts No.	Description	Desti-nation	Re-marks
C106, 107			CE04KW1HR33M	ELECTRO 0.33UF 50WV		
C108, 109			CQ93FMG1H822J	MYLAR 8200PF J		
C110			CC73FSL1H471J	CHIP C 470PF J		
C111~118			CE04KW1V4R7M	ELECTRO 4.7UF 35WV		
C119, 120			CE04KW1H3R3M	ELECTRO 3.3UF 50WV		
C121			CC73FSL1H221J	CHIP C 220PF J		
C122			CE04KW1H010M	ELECTRO 1.0UF 50WV		
C123~126			CC73FSL1H101J	CHIP C 100PF J		
C127, 128			CE04KW1C100M	ELECTRO 10UF 16WV		
C129			CE04KW1C101M	ELECTRO 100UF 16WV		
C130			CE04KW1C470M	ELECTRO 47UF 16WV		
C131~134			CE04KW1C100M	ELECTRO 10UF 16WV		
C135			CK73FB1C104K	CHIP C 0.10UF K		
C136			CK73FB1H562K	CHIP C 5600PF K		
C137			CE04KW1C100M	ELECTRO 10UF 16WV		
C138			CE04KW1E221M	ELECTRO 220UF 25WV		
C139			CE04KW1C220M	ELECTRO 22UF 16WV		
C140, 141			CK73FF1E104Z	CHIP C 0.10UF Z		
C142			CK73FB1H681K	CHIP C 680PF K		
C143, 144			CK73FF1E104Z	CHIP C 0.10UF Z		
C145			CK73FB1H681K	CHIP C 680PF K		
C146			CQ93FMG1H104J	MYLAR 0.10UF J		
C147, 148			CQ93FMG1H223J	MYLAR 0.022UF J		
C149, 150			CK73FB1C104K	CHIP C 0.10UF K		
C151, 152			CQ93FMG1H473J	MYLAR 0.047UF J		
C153			CK73FB1C104K	CHIP C 0.10UF K		
C154			CK73FF1C224Z	CHIP C 0.22UF Z		
C155			CQ93FMG1H224J	MYLAR 0.22UF J		
C156, 157			CE04KW1V4R7M	ELECTRO 4.7UF 35WV		
C158			CQ93FMG1H224J	MYLAR 0.22UF J		
C159			CK73FF1C224Z	CHIP C 0.22UF Z		
C160			CK73FF1C105Z	CHIP C 1.0UF Z		
C161			CK73EB1E473K	CHIP C 0.047UF K		
C162			CK73FB1H562K	CHIP C 5600PF K		
C163			CK73FB1H221K	CHIP C 220PF K		
C164			CK73FB1H103K	CHIP C 0.010UF K		
C165			CK73FB1C104K	CHIP C 0.10UF K		
C169			CK73FB1H182K	CHIP C 1800PF K		
C170			CK73FB1H103K	CHIP C 0.010UF K		
C171			CQ93FMG1H683J	MYLAR 0.068UF J		
C172, 173			CQ93FMG1H104J	MYLAR 0.10UF J		
C174			CQ93FMG1H683J	MYLAR 0.068UF J		
C175			CQ93FMG1H182J	MYLAR 1800PF J		
C176			CK73FB1H103K	CHIP C 0.010UF K		
C177			CE04KW1H010M	ELECTRO 1.0UF 50WV		
C178			CE04KW1C220M	ELECTRO 22UF 16WV		
C181, 182			CE04KW1V4R7M	ELECTRO 4.7UF 35WV		
C183, 184			CC73FSL1H471J	CHIP C 470PF J		
C193, 194			CE04KW1V4R7M	ELECTRO 4.7UF 35WV		
C195, 196			CC73FSL1H471J	CHIP C 470PF J		
C197			CE04KW1V4R7M	ELECTRO 4.7UF 35WV		
C203			CC45FSL1H101J	CERAMIC 100PF J		
C204			CK45FF1H103Z	CERAMIC 0.010UF Z		
C205			CE04KW1V4R7M	ELECTRO 4.7UF 35WV		
C206			CK45FB2H392K	CERAMIC 3900PF K		

L : Scandinavia K : USA P : Canada R : Mexico C : China I : Malaysia
Y : PX(Far East, Hawaii) T : Europe E : Europe G : Germany V : China(Shanghai)
Y : AAFES(Europe) X : Australia Q : Russia H : Korea M : Other Areas Δ indicates safety critical components.

* New Parts

Parts without **Parts No.** are not supplied.
Les articles non mentionnés dans le **Parts No.** ne sont pas fournis.
Teile ohne **Parts No.** werden nicht geliefert.

14

Ref. No	Add-ress	New Parts	Parts No.	Description	Desti-nation	Re-marks
C207, 208			CC73FSL1H471J	CHIP C 470PF J		
C212			CC73FSL1H101J	CHIP C 100PF J		
C214			CE04KW1H010M	ELECTRO 1.0UF 50WV		
C215			CE04HW1E220M	NP-ELEC 22UF 25WV		
C216, 217			CK73FB1H221K	CHIP C 220PF K		
C218, 219			CE04KW1C100M	ELECTRO 10UF 16WV		
C220, 221			CE04KW1A101M	ELECTRO 100UF 10WV		
C222, 223			CC73FCH1H100D	CHIP C 10PF D		
C222, 223			CC73FCH1H150J	CHIP C 15PF J		
C222, 223			CC73FCH1H150J	CHIP C 15PF J		
C224, 225			CE04KW2A100M	ELECTRO 10UF 100WV		
C226			CK45FB2H392K	CERAMIC 3900PF K		
C227			CE04KW2A100M	ELECTRO 10UF 100WV		
C228, 229			CE04KW1H470M	ELECTRO 47UF 50WV		
C230, 231			CK45FB2H392K	CERAMIC 3900PF K		
C232			CE04KW2A100M	ELECTRO 10UF 100WV		
C233~235			CK73FB1H221K	CHIP C 220PF K		
C236~238			CE04KW1C100M	ELECTRO 10UF 16WV		
C239~241			CE04KW1A101M	ELECTRO 100UF 10WV		
C242~244			CC73FCH1H100D	CHIP C 10PF D		
C242~244			CC73FCH1H150J	CHIP C 15PF J		
C242~244			CC73FCH1H150J	CHIP C 15PF J		
C247, 248			CE04KW2A100M	ELECTRO 10UF 100WV		
C249, 250			CE04KW1H470M	ELECTRO 47UF 50WV		
C253~257			CK73FB1H102K	CHIP C 1000PF K		
C268			CE04KW1V4R7M	ELECTRO 4.7UF 35WV		
C269			CE04KW0J221M	ELECTRO 220UF 6.3WV		
C270			CK73FB1H472K	CHIP C 4700PF K		
C270~272			CK73FB1H472K	CHIP C 4700PF K		
C271			CK73FB1H472K	CHIP C 4700PF K		
C271			CK73FB1H472K	CHIP C 4700PF K		
C272			CK73FB1H472K	CHIP C 4700PF K		
C273, 274			CK73FB1H472K	CHIP C 4700PF K		
C275, 276			CK73FB1H472K	CHIP C 4700PF K		
C277~279			CK45FB1H102K	CERAMIC 1000PF K		
C280			CK45FB1H102K	CERAMIC 1000PF K		
C281			CK45FF1H472Z	CERAMIC 4700PF Z		
C282, 283			CC73FSL1H101J	CHIP C 100PF J		
C284, 285			CC73FSL1H561J	CHIP C 560PF J		
C300			CQ93FMG1H184J	MYLAR 0.18UF J		
C302			C91-1480-05	MP 0.22UF 250WV		
C302			C91-1480-05	MP 0.22UF 250WV		
C304, 305			C90-3832-05	ELECTRO 4700UF 75WV		
C304, 305			C90-3832-05	ELECTRO 4700UF 75WV		
C304, 305		*	C90-3833-05	ELECTRO 4700UF 63WV		
C306, 307			C90-3834-05	ELECTRO 3300UF 42WV		
C306, 307			C90-3834-05	ELECTRO 3300UF 42WV		
C306, 307		*	C90-3835-05	ELECTRO 3300UF 35WV		
C308			CE04KW1V222M	ELECTRO 2200UF 35WV		
C309			CE04KW1V471M	ELECTRO 470UF 35WV		
C310~313			CK73FF1C224Z	CHIP C 0.22UF Z		
C314, 315			CE04KW1E101M	ELECTRO 100UF 25WV		
C316			CE04KW2A220M	ELECTRO 22UF 100WV		
C317			CE04KW1H470M	ELECTRO 47UF 50WV		

L : Scandinavia K : USA P : Canada R : Mexico C : China I : Malaysia
Y : PX(Far East, Hawaii) T : Europe E : Europe G : Germany V : China(Shanghai)
Y : AAFES(Europe) X : Australia Q : Russia H : Korea M : Other Areas Δ indicates safety critical components.

KRF-V5020/V6020N/7020MR-305/306/355
PARTS LIST

* New Parts

Parts without **Parts No.** are not supplied.Les articles non mentionnés dans le **Parts No.** ne sont pas fournis.Teile ohne **Parts No.** werden nicht geliefert.

15

Ref. No	Address	New Parts	Parts No.	Description	Destination	Remarks
C320			CE04KW1H010M	ELECTRO 1.0UF 50WV		
C326			CE04KW1C470M	ELECTRO 47UF 16WV		
C327			CE04KW1H010M	ELECTRO 1.0UF 50WV		
C330			CE04KW1C100M	ELECTRO 10UF 16WV		
C350			CE04KW1A101M	ELECTRO 100UF 10WV		
C351, 352			CE04KW1H100M	ELECTRO 10UF 50WV		
C359-363			CE04KW1H010M	ELECTRO 1.0UF 50WV		
C400			CE04KW1C330M	ELECTRO 33UF 16WV		
C401-410			CK73EB1H104K	CHIP C 0.10UF K		
C411, 412			CE04KW1C220M	ELECTRO 22UF 16WV		
C413			CK73EB1H104K	CHIP C 0.10UF K		
C414			CK73FB1C104K	CHIP C 0.10UF K		
C501-503			CK45FF1H103Z	CERAMIC 0.010UF Z		
C504			CK73FB1H103K	CHIP C 0.010UF K		
C505			CK45FF1H103Z	CERAMIC 0.010UF Z		
C506			CK45FB1H102K	CERAMIC 1000PF K		
C507			CK45FF1H103Z	CERAMIC 0.010UF Z		
C508, 509			CE04KW1A101M	ELECTRO 100UF 10WV	EQT	
C510			CC45FSL1H331J	CERAMIC 330PF J		
C511			CK73FB1H103K	CHIP C 0.010UF K		
C512, 513			CK45FF1H103Z	CERAMIC 0.010UF Z		
C514			CK73FB1H103K	CHIP C 0.010UF K		
C515			CK45FB1H561K	CERAMIC 560PF K	EQT	
C516			CE04KW1H2R2M	ELECTRO 2.2UF 50WV	EQT	
C517			CE04KW1H010M	ELECTRO 1.0UF 50WV		
C518			CK73FB1H103K	CHIP C 0.010UF K		
C519-521			CK45FF1H103Z	CERAMIC 0.010UF Z		
C522			CK45FF1H103Z	CERAMIC 0.010UF Z	EQT	
C523			CE04KW1A101M	ELECTRO 100UF 10WV	EQT	
C524			CK45FF1H103Z	CERAMIC 0.010UF Z	EQT	
C525			CE04KW1H010M	ELECTRO 1.0UF 50WV		
C526			C90-3214-05	ELECTRO 100UF 6.3WV		
C527			CC73FCH1H470J	CHIP C 47PF J	EQT	
C528			CC73FCH1H180J	CHIP C 18PF J	EQT	
C529, 530			CE04KW1V4R7M	ELECTRO 4.7UF 35WV		
C531			CK73FB1H103K	CHIP C 0.010UF K		
C532			CK73FB1H102K	CHIP C 1000PF K		
C533			CK73EB1H102K	CHIP C 1000PF K	EQT	
C533			CK73EB1H102K	CHIP C 1000PF K	KPV	
C534			C90-1827-05	ELECTRO 0.047F 5.5WV		
C535			CE04KW0J471M	ELECTRO 470UF 6.3WV	KP	
C536			CK45FB1H102K	CERAMIC 1000PF K		
C537			CC45FSL1H101J	CERAMIC 100PF J		
C538			CC73FSL1H101J	CHIP C 100PF J		
C540			CC45FSL1H101J	CERAMIC 100PF J	KP	
CN1			E40-4299-05	PIN ASSY		
CN2			E40-4248-05	PIN ASSY		
CN7			E40-8196-05	PIN ASSY		
CN8			E40-8260-05	FLAT CABLE CONNECTOR		
CN9			E40-8251-05	FLAT CABLE CONNECTOR		
CN10			E40-9848-05	PIN ASSY		
CN11			E40-3247-05	PIN ASSY	7	
CN12			E40-3249-05	PIN ASSY	7	
CN51			E40-8259-05	FLAT CABLE CONNECTOR		
CN53			E40-8250-05	FLAT CABLE CONNECTOR		

L : Scandinavia K : USA P : Canada R : Mexico C : China I : Malaysia
 Y : PX(Far East, Hawaii) T : Europe E : Europe G : Germany V : China(Shanghai)
 Y : AAFES(Europe) X : Australia Q : Russia H : Korea M : Other Areas Δ indicates safety critical components.

* New Parts

Parts without **Parts No.** are not supplied.Les articles non mentionnés dans le **Parts No.** ne sont pas fournis.Teile ohne **Parts No.** werden nicht geliefert.

15

Ref. No	Address	New Parts	Parts No.	Description	Destination	Remarks
J1			E63-0046-15	PHONO JACK		EQTMCX
J1			E63-0046-15	PHONO JACK		YI
J1			E63-0172-05	PHONO JACK		KPV
J2			E63-0047-15	PHONO JACK		EQTMCX
J2			E63-0047-15	PHONO JACK		YI
J2			E63-0173-05	PHONO JACK		KPV
J3, 4			E63-1014-05	PHONO JACK		EQTMCX
J3, 4			E63-1014-05	PHONO JACK		YI
J3, 4			E63-1017-05	PHONO JACK		KPV
J5			E63-1018-05	PHONO JACK		KPV
J5			E63-1050-05	PHONO JACK		EQTMCX
J5			E63-1050-05	PHONO JACK		YI
J6			E63-1019-05	PHONO JACK		KPV
J6			E63-1051-05	PHONO JACK		EQTMCX
J6			E63-1051-05	PHONO JACK		YI
J7			E63-0046-15	PHONO JACK		EQTMCX
J7			E63-0046-15	PHONO JACK		YI
J7			E63-0172-05	PHONO JACK		KPV
J8			E70-0046-05	LOCK TERMINAL BOARD		5
J8			E70-0082-05	LOCK TERMINAL BOARD		KP
J9			E63-0114-05	PHONO JACK		EQT
J10			E70-0047-05	LOCK TERMINAL BOARD		67
J10			E70-0057-05	LOCK TERMINAL BOARD		5
J10			E70-0094-05	LOCK TERMINAL BOARD		KP
J11			E63-0116-05	PHONO JACK		MCXYI
W401-405			E29-1634-14	LEAD PLATE		KPV
L1-5			L39-1373-05	PHASE COMPENSATION COIL		EQT
L501			L40-1091-17	SMALL FIXED INDUCTOR(1UH)		EQT
L502			L40-1001-17	SMALL FIXED INDUCTOR(10UH,K)		EQT
X1			L78-0244-05	RESONATOR (4MHZ)		
X501			L78-0290-05	RESONATOR (8MHZ)		
X502			L77-2002-05	CRYSTAL RESONATOR(4.332MHZ)		EQT
R1, 2			RK73FB2A102J	CHIP R 1.0K J		1/10W
R3, 4			RK73FB2A273J	CHIP R 27K J		1/10W
R5, 6			RK73FB2A101J	CHIP R 100 J		1/10W
R13, 14			RK73FB2A473J	CHIP R 47K J		1/10W
R17, 18			RK73FB2A102J	CHIP R 1.0K J		1/10W
R19, 20			RK73FB2A224J	CHIP R 220K J		1/10W
R21-24			RK73FB2A102J	CHIP R 1.0K J		1/10W
R25, 26			RK73FB2A224J	CHIP R 220K J		1/10W
R27, 28			RK73FB2A102J	CHIP R 1.0K J		1/10W
R29, 30			RK73FB2A224J	CHIP R 220K J		1/10W
R31, 32			RK73FB2A102J	CHIP R 1.0K J		1/10W
R33, 34			RK73FB2A224J	CHIP R 220K J		1/10W
R35, 36			RK73FB2A102J	CHIP R 1.0K J		1/10W
R37, 38			RK73FB2A224J	CHIP R 220K J		1/10W
R39, 40			RK73FB2A102J	CHIP R 1.0K J		1/10W
R41, 42			RK73FB2A224J	CHIP R 220K J		1/10W
R43			RK73FB2A102J	CHIP R 1.0K J		1/10W
R44			RK73FB2A103J	CHIP R 10K J		1/10W
R45			RK73FB2A224J	CHIP R 220K J		1/10W
R46			RK73FB2A392J	CHIP R 3.9K J		1/10W

L : Scandinavia K : USA P : Canada R : Mexico C : China I : Malaysia
 Y : PX(Far East, Hawaii) T : Europe E : Europe G : Germany V : China(Shanghai)
 Y : AAFES(Europe) X : Australia Q : Russia H : Korea M : Other Areas Δ indicates safety critical components.

PARTS LIST

KRF-V5020/V6020/V7020/NR-305/306/355

* New Parts

Parts without **Parts No.** are not supplied.
Les articles non mentionnés dans le **Parts No.** ne sont pas fournis.
Teile ohne **Parts No.** werden nicht geliefert.

17

Ref. No	Add-ress	New Parts	Parts No.	Description	Desti-nation	Re-marks
R47, 48			RK73FB2A102J	CHIP R 1.0K J 1/10W		
R49, 50			RK73FB2A224J	CHIP R 220K J 1/10W		
R51-53			RK73FB2A750J	CHIP R 75 J 1/10W		
R56, 57			RK73FB2A332J	CHIP R 3.3K J 1/10W		
R59, 60			RK73FB2A104J	CHIP R 100K J 1/10W		
R67, 68			RK73FB2A104J	CHIP R 100K J 1/10W		
R69, 70			RK73FB2A4R7J	CHIP R 4.7 J 1/10W		
R71, 72			RK73FB2A224J	CHIP R 220K J 1/10W		
R93, 94			RS14KB3A391J	FL-PROOF RS 390 J 1W		
R96			RK73FB2A432J	CHIP R 4.3K J 1/10W		
R97			RK73EB2B224J	CHIP R 220K J 1/8W		
R98-102			RK73FB2A224J	CHIP R 220K J 1/10W		
R109			RS14KB3A221J	FL-PROOF RS 220 J 1W		
R110			RS14KB3A271J	FL-PROOF RS 270 J 1W		
R111-113			RK73FB2A102J	CHIP R 1.0K J 1/10W		
R116, 117			RK73FB2A102J	CHIP R 1.0K J 1/10W		
R118			RK73FB2A473J	CHIP R 47K J 1/10W		
R119			RK73FB2A223J	CHIP R 22K J 1/10W		
R122			RK73FB2A103J	CHIP R 10K J 1/10W		
R123			RK73FB2A203J	CHIP R 20K J 1/10W		
R124			RK73FB2A105J	CHIP R 1.0M J 1/10W		
R125			RK73FB2A224J	CHIP R 220K J 1/10W		
R126			RK73FB2A104J	CHIP R 100K J 1/10W		
R127			RK73FB2A475J	CHIP R 4.7M J 1/10W		
R128			RK73FB2A752J	CHIP R 7.5K J 1/10W		
R129			RK73FB2A153J	CHIP R 15K J 1/10W		
R130			RK73FB2A473J	CHIP R 47K J 1/10W		
R131			RK73FB2A752J	CHIP R 7.5K J 1/10W		
R132			RK73FB2A153J	CHIP R 15K J 1/10W		
R133			RK73FB2A473J	CHIP R 47K J 1/10W		
R134			RD14NB2E221J	RD 220 J 1/4W		
R135			RS14KB3D680J	FL-PROOF RS 68 J 2W		
R136			RK73FB2A334J	CHIP R 330K J 1/10W		
R137, 138			RK73FB2A243J	CHIP R 24K J 1/10W		
R145, 146			RK73FB2A122J	CHIP R 1.2K J 1/10W		
R147, 148			RK73FB2A102J	CHIP R 1.0K J 1/10W		
R149, 150			RK73FB2A104J	CHIP R 100K J 1/10W		
R157, 158			RK73FB2A222J	CHIP R 2.2K J 1/10W		
R161, 162			RK73FB2A122J	CHIP R 1.2K J 1/10W		
R163, 164			RK73FB2A102J	CHIP R 1.0K J 1/10W		
R165, 166			RK73FB2A104J	CHIP R 100K J 1/10W		
R173, 174			RK73FB2A222J	CHIP R 2.2K J 1/10W		
R177, 178			RK73FB2A122J	CHIP R 1.2K J 1/10W		
R179, 180			RK73FB2A102J	CHIP R 1.0K J 1/10W		
R181, 182			RK73FB2A104J	CHIP R 100K J 1/10W		
R183			RK73FB2A153J	CHIP R 15K J 1/10W		
R184			RK73FB2A391J	CHIP R 390 J 1/10W		
R186			RK73FB2A183J	CHIP R 18K J 1/10W		
R189, 190			RK73FB2A222J	CHIP R 2.2K J 1/10W		
R191			RK73FB2A104J	CHIP R 100K J 1/10W		
R192, 193			RK73FB2A102J	CHIP R 1.0K J 1/10W		
R194			RK73FB2A223J	CHIP R 22K J 1/10W		
R195			RK73FB2A104J	CHIP R 100K J 1/10W		
R196, 197			RK73FB2A102J	CHIP R 1.0K J 1/10W		
R198			RK73FB2A104J	CHIP R 100K J 1/10W		

L : Scandinavia K : USA P : Canada R : Mexico C : China I : Malaysia
 Y : PX(Far East, Hawaii) T : Europe E : Europe G : Germany V : China(Shanghai)
 Y : AAFES(Europe) X : Australia Q : Russia H : Korea M : Other Areas Δ indicates safety critical components.

* New Parts

Parts without **Parts No.** are not supplied.
Les articles non mentionnés dans le **Parts No.** ne sont pas fournis.
Teile ohne **Parts No.** werden nicht geliefert.

18

Ref. No	Add-ress	New Parts	Parts No.	Description	Desti-nation	Re-marks
R199, 200			RK73FB2A223J	CHIP R 22K J 1/10W		
R201, 202			RK73FB2A104J	CHIP R 100K J 1/10W		
R203, 204			RK73FB2A563J	CHIP R 56K J 1/10W		
R207, 208			RK73EB2B331J	CHIP R 330 J 1/8W		K1P1
R207, 208			RK73FB2A361J	CHIP R 360 J 1/10W		K2P2
R207, 208			RK73FB2A361J	CHIP R 360 J 1/10W		K3P3
R207, 208			RK73FB2A361J	CHIP R 360 J 1/10W		MCXYIV
R207, 208			RK73FB2A431J	CHIP R 430 J 1/10W		E7E8
R207, 208			RK73FB2A431J	CHIP R 430 J 1/10W		T7Q7
R207, 208			RK73FB2A471J	CHIP R 470 J 1/10W		E1E2E3
R207, 208			RK73FB2A471J	CHIP R 470 J 1/10W		E4E5
R207, 208			RK73FB2A471J	CHIP R 470 J 1/10W		Q5Q6
R209, 210			RK73FB2A563J	CHIP R 56K J 1/10W		
R214, 215			RD14NB2E103J	RD 10K J 1/4W		
R216			RS14KB3A392J	FL-PROOF RS 3.9K J 1W		
R217-219			RK73FB2A104J	CHIP R 100K J 1/10W		
R220			RS14KB3A392J	FL-PROOF RS 3.9K J 1W		
R221, 222			RK73FB2A563J	CHIP R 56K J 1/10W		
R224			RK73FB2A102J	CHIP R 1.0K J 1/10W		
R225, 226			RK73FB2A331J	CHIP R 330 J 1/10W		K1P1
R225, 226			RK73FB2A361J	CHIP R 360 J 1/10W		K2P2
R225, 226			RK73FB2A361J	CHIP R 360 J 1/10W		K3P3
R225, 226			RK73FB2A361J	CHIP R 360 J 1/10W		MCXYIV
R225, 226			RK73FB2A431J	CHIP R 430 J 1/10W		E7E8
R225, 226			RK73FB2A431J	CHIP R 430 J 1/10W		T7Q7
R225, 226			RK73FB2A471J	CHIP R 470 J 1/10W		E1E2E3
R225, 226			RK73FB2A471J	CHIP R 470 J 1/10W		E4E5
R225, 226			RK73FB2A471J	CHIP R 470 J 1/10W		Q5Q6
R229, 230			RK73FB2A102J	CHIP R 1.0K J 1/10W		
R231			RK73FB2A563J	CHIP R 56K J 1/10W		
R233			RK73FB2A331J	CHIP R 330 J 1/10W		K1P1
R233			RK73FB2A361J	CHIP R 360 J 1/10W		K2P2
R233			RK73FB2A361J	CHIP R 360 J 1/10W		K3P3
R233			RK73FB2A361J	CHIP R 360 J 1/10W		MCXYIV
R233			RK73FB2A431J	CHIP R 430 J 1/10W		E7E8
R233			RK73FB2A431J	CHIP R 430 J 1/10W		T7Q7
R233			RK73FB2A471J	CHIP R 470 J 1/10W		E1E2E3
R233			RK73FB2A471J	CHIP R 470 J 1/10W		E4E5
R233			RK73FB2A471J	CHIP R 470 J 1/10W		Q5Q6
R239, 240			RS14KB3A392J	FL-PROOF RS 3.9K J 1W		
R241, 242			R92-1866-05	METAL FILM 0.1 2W		
R243, 244			RK73FB2A333J	CHIP R 33K J 1/10W		
R245, 246			RK73FB2A333J	CHIP R 33K J 1/10W		K1P1
R245, 246			RK73FB2A333J	CHIP R 33K J 1/10W		7
R245, 246			RK73FB2A363J	CHIP R 36K J 1/10W		K2P2K3
R245, 246			RK73FB2A363J	CHIP R 36K J 1/10W		P3
R245, 246			RK73FB2A363J	CHIP R 36K J 1/10W		56
R247, 248			RK73FB2A471J	CHIP R 470 J 1/10W		
R249			R92-1866-05	METAL FILM 0.1 2W		
R251			RK73FB2A333J	CHIP R 33K J 1/10W		
R253			RK73FB2A333J	CHIP R 33K J 1/10W		K1P1
R253			RK73FB2A333J	CHIP R 33K J 1/10W		7
R253			RK73FB2A363J	CHIP R 36K J 1/10W		K2P2K3
R253			RK73FB2A363J	CHIP R 36K J 1/10W		P3
R253			RK73FB2A363J	CHIP R 36K J 1/10W		56

L : Scandinavia K : USA P : Canada R : Mexico C : China I : Malaysia
 Y : PX(Far East, Hawaii) T : Europe E : Europe G : Germany V : China(Shanghai)
 Y : AAFES(Europe) X : Australia Q : Russia H : Korea M : Other Areas Δ indicates safety critical components.

PARTS LIST

KRF-V5020/V6020/V7020/VR-305/306/355

* New Parts
 Parts without **Parts No.** are not supplied.
 Les articles non mentionnés dans le **Parts No.** ne sont pas fournis.
 Teile ohne **Parts No.** werden nicht geliefert.

19

Ref. No	Add-ress	New Parts	Parts No.	Description	Desti-nation	Re-marks
R255			RK73FB2A471J	CHIP R 470 J 1/10W		
R257, 258			R92-1866-05	METAL FILM 0.1 2W		
R259, 260			RK73FB2A333J	CHIP R 33K J 1/10W		
R261, 262			RK73FB2A333J	CHIP R 33K J 1/10W	K1P1	
R261, 262			RK73FB2A333J	CHIP R 33K J 1/10W	7	
R261, 262			RK73FB2A363J	CHIP R 36K J 1/10W		
R261, 262			RK73FB2A363J	CHIP R 36K J 1/10W	K2P2K3	
R261, 262			RK73FB2A363J	CHIP R 36K J 1/10W	P3	
R263, 264			RK73FB2A471J	CHIP R 470 J 1/10W	56	
R265~267			RS14KB3D4R7J	FL-PROOF RS 4.7 J 2W		
R268			RK73FB2A153J	CHIP R 15K J 1/10W		
R269, 270			RS14KB3D4R7J	FL-PROOF RS 4.7 J 2W		
R271~273			RK73FB2A333J	CHIP R 33K J 1/10W		
R275, 276			RK73FB2A333J	CHIP R 33K J 1/10W		
R277			RK73FB2A163J	CHIP R 16K J 1/10W	EQT	
R277			RK73FB2A183J	CHIP R 18K J 1/10W	7	
R279, 280			RK73FB2A163J	CHIP R 16K J 1/10W	EQT	
R279, 280			RK73FB2A183J	CHIP R 18K J 1/10W	7	
R281~283			RK73FB2A102J	CHIP R 1.0K J 1/10W	EQT	
R284			RK73FB2A123J	CHIP R 12K J 1/10W		
R285			RK73FB2A682J	CHIP R 6.8K J 1/10W		
R286			RK73FB2A223J	CHIP R 22K J 1/10W		
R287~291			RK73FB2A272J	CHIP R 2.7K J 1/10W		
R292~295			RK73FB2A102J	CHIP R 1.0K J 1/10W		
R300			RD14NB2E1R0J	RD 1 J 1/4W		
R304, 305			RK73FB2A513J	CHIP R 51K J 1/10W		
R306, 307			RK73FB2A273J	CHIP R 27K J 1/10W		
R308			RD14NB2E4R7J	RD 4.7 J 1/4W		
R309			RD14NB2E103J	RD 10K J 1/4W		
R311			RK73FB2A513J	CHIP R 51K J 1/10W		
R312			RK73FB2A273J	CHIP R 27K J 1/10W		
R315, 316			RK73FB2A472J	CHIP R 4.7K J 1/10W		
R317			RK73FB2A273J	CHIP R 27K J 1/10W		
R318			RS14KB3A681J	FL-PROOF RS 680 J 1W		
R320			RK73FB2A103J	CHIP R 10K J 1/10W		
R321			RK73FB2A473J	CHIP R 47K J 1/10W		
R322			RS14KB3D391J	FL-PROOF RS 390 J 2W		
R323			R92-1878-05	WIRE WOUND 68 K 5W		
R325			RS14KB3D391J	FL-PROOF RS 390 J 2W		
R326~330			RK73FB2A102J	CHIP R 1.0K J 1/10W		
R331			RK73FB2A363J	CHIP R 36K J 1/10W		
R332			RK73FB2A751J	CHIP R 750 J 1/10W		
R333			RK73FB2A272J	CHIP R 2.7K J 1/10W		
R361, 362			RS14KB3D391J	FL-PROOF RS 390 J 2W		
R363			RK73FB2A473J	CHIP R 47K J 1/10W		
R400			RK73FB2A472J	CHIP R 4.7K J 1/10W		
R403~407			RK73EB2B220J	CHIP R 22 J 1/8W		
R408			RK73FB2A222J	CHIP R 2.2K J 1/10W		
R409			RK73FB2A333J	CHIP R 33K J 1/10W		
R410, 411			RK73EB2B224J	CHIP R 220K J 1/8W		
R412, 413			RK73FB2A224J	CHIP R 220K J 1/10W		
R414			RK73FB2A103J	CHIP R 10K J 1/10W		
R415			RK73FB2A104J	CHIP R 100K J 1/10W		
R416			RK73FB2A683J	CHIP R 68K J 1/10W		
R417			RK73FB2A473J	CHIP R 47K J 1/10W		

L : Scandinavia K : USA P : Canada R : Mexico C : China I : Malaysia
 Y : PX(Far East, Hawaii) T : Europe E : Europe G : Germany V : China(Shanghai)
 Y : AAFES(Europe) X : Australia Q : Russia H : Korea M : Other Areas Δ indicates safety critical components.

PARTS LIST

20

* New Parts
 Parts without **Parts No.** are not supplied.
 Les articles non mentionnés dans le **Parts No.** ne sont pas fournis.
 Teile ohne **Parts No.** werden nicht geliefert.

Ref. No	Add-ress	New Parts	Parts No.	Description	Desti-nation	Re-marks
R450, 451			RK73FB2A272J	CHIP R 2.7K J 1/10W		
R452			RK73FB2A361J	CHIP R 360 J 1/10W		
R453			RK73FB2A472J	CHIP R 4.7K J 1/10W	MCXYIV	
R454			RK73FB2A822J	CHIP R 8.2K J 1/10W		
R456			RK73FB2A473J	CHIP R 47K J 1/10W		
R457			RK73FB2A102J	CHIP R 1.0K J 1/10W		
R458			RK73FB2A101J	CHIP R 100 J 1/10W		
R460, 461			RK73FB2A102J	CHIP R 1.0K J 1/10W		
R462			RK73EB2B101J	CHIP R 100 J 1/8W		
R504			RK73FB2A103J	CHIP R 10K J 1/10W		
R514			RK73FB2A222J	CHIP R 2.2K J 1/10W		
R515			RK73FB2A103J	CHIP R 10K J 1/10W		
R523			RD14NB2E1R0J	RD 1 J 1/4W		
R524, 525			RK73FB2A101J	CHIP R 100 J 1/10W		
R528			RK73FB2A101J	CHIP R 100 J 1/10W		
R529, 530			RK73FB2A473J	CHIP R 47K J 1/10W		
R536			RK73FB2A102J	CHIP R 1.0K J 1/10W		
R545, 546			RK73FB2A103J	CHIP R 10K J 1/10W		
R552			RK73FB2A102J	CHIP R 1.0K J 1/10W		
R556			RK73FB2A103J	CHIP R 10K J 1/10W	KP	
R556			RK73FB2A103J	CHIP R 10K J 1/10W	MCXYIV	
R565			RK73FB2A103J	CHIP R 10K J 1/10W		
R568			RK73FB2A103J	CHIP R 10K J 1/10W		
R570			RK73FB2A103J	CHIP R 10K J 1/10W		
R577			RK73FB2A103J	CHIP R 10K J 1/10W		
R580			RK73FB2A222J	CHIP R 2.2K J 1/10W		
R582			RK73FB2A102J	CHIP R 1.0K J 1/10W	EQT	
R601, 602			RK73FB2A224J	CHIP R 220K J 1/10W		
R603			RK73FB2A473J	CHIP R 47K J 1/10W		
R606			RK73FB2A102J	CHIP R 1.0K J 1/10W		
R607, 608			RD14NB2E1R0J	RD 1 J 1/4W		
W303			R92-0679-05	CHIP R 0 OHM		
W304~306			R92-0670-05	CHIP R 0 OHM		
W309, 310			R92-0679-05	CHIP R 0 OHM		
W312			R92-0679-05	CHIP R 0 OHM		
W314			R92-0679-05	CHIP R 0 OHM		
W315			R92-0670-05	CHIP R 0 OHM		
W316~318			R92-0679-05	CHIP R 0 OHM		
W501~502			R92-0670-05	CHIP R 0 OHM	MCXYI	
W501~506			R92-0670-05	CHIP R 0 OHM	KPV	
W503~506			R92-0670-05	CHIP R 0 OHM	EQT	
K1		*	S76-0045-15	MAGNETIC RELAY		
K2		*	S76-0045-15	MAGNETIC RELAY		
K3, 4		*	S76-0045-15	MAGNETIC RELAY		
S501~505			S70-0031-05	TACT SWITCH		
S507			S70-0031-05	TACT SWITCH		
S509~512			S70-0031-05	TACT SWITCH		
S514~516			S70-0031-05	TACT SWITCH		
S520, 521			S70-0031-05	TACT SWITCH		
S517			T99-0602-05	ROTARY ENCODER		
S518, 519			T99-0605-05	ROTARY ENCODER		
D3, 4			HZS5.1N(B2)	ZENER DIODE		
D3, 4			MTZJ5.1(B)	ZENER DIODE		

L : Scandinavia K : USA P : Canada R : Mexico C : China I : Malaysia
 Y : PX(Far East, Hawaii) T : Europe E : Europe G : Germany V : China(Shanghai)
 Y : AAFES(Europe) X : Australia Q : Russia H : Korea M : Other Areas Δ indicates safety critical components.

* New Parts

Parts without **Parts No.** are not supplied.
Les articles non mentionnés dans le **Parts No.** ne sont pas fournis.
Teile ohne **Parts No.** werden nicht geliefert.

21

Ref. No	Address	New Parts	Parts No.	Description	Destination	Remarks
D3, 4			RD5.1ES(B2)	ZENER DIODE		
D5, 6			HZS6.8N(B2)	ZENER DIODE		
D5, 6			MTZJ6.8(B)	ZENER DIODE		
D5, 6			RD6.8ES(B2)	ZENER DIODE		
D7			HZS5.1N(B2)	ZENER DIODE		
D7			MTZJ5.1(B)	ZENER DIODE		
D7			RD5.1ES(B2)	ZENER DIODE		
D8			HZS11N(B2)	ZENER DIODE		
D8			MTZJ11(B)	ZENER DIODE		
D8			RD11ES(B2)	ZENER DIODE		
D10			HZS8.2N(B2)	ZENER DIODE		
D10			MTZJ8.2(B)	ZENER DIODE		
D10			RD8.2ES(B2)	ZENER DIODE		
D11			HZS7.5N(B2)	ZENER DIODE		
D11			MTZJ7.5(B)	ZENER DIODE		
D11			RD7.5ES(B2)	ZENER DIODE		
D12, 13			HZS8.2N(B2)	ZENER DIODE		
D12, 13			MTZJ8.2(B)	ZENER DIODE		
D12, 13			RD8.2ES(B2)	ZENER DIODE		
D14, 15			HZS10N(B2)	ZENER DIODE		
D14, 15			MTZJ10(B)	ZENER DIODE		
D14, 15			RD10ES(B2)	ZENER DIODE		
D19			MA111	DIODE	67	
D20			MA111	DIODE		
D21-23			MA111	DIODE		
D24			HZS4.7N(B2)	ZENER DIODE		
D24			MTZJ4.7(B)	ZENER DIODE		
D24			RD4.7ES(B2)	ZENER DIODE		
D25			HZS3.3N(B2)	ZENER DIODE		
D25			MTZJ3.3(B)	ZENER DIODE		
D25			RD3.3ES(B2)	ZENER DIODE		
D26			MA111	DIODE		
D31			D4SBL20UF03	DIODE	ETQ	
D32			D4SBL20UF03	DIODE	YMXICV	
D32			D4SBL20UF03	DIODE		
D37, 38			HZS16N(B2)	ZENER DIODE		
D37, 38			MTZJ16(B)	ZENER DIODE		
D37, 38			RD16ES(B2)	ZENER DIODE		
D39, 40			HZS18N(B2)	ZENER DIODE		
D39, 40			MTZJ18(B)	ZENER DIODE		
D39, 40			RD18ES(B2)	ZENER DIODE		
D50, 51			MA111	DIODE	MCXYIV	
D52			MA111	DIODE		
D53-55			MA111	DIODE		
D56			HZS7.5N(B2)	ZENER DIODE		
D56			MTZJ7.5(B)	ZENER DIODE		
D56			RD7.5ES(B2)	ZENER DIODE		
D59			MA111	DIODE	YMXICV	
D504			HSS104A	DIODE	QMCXYI	
D504			HSS104A	DIODE	V	
D504			1SS133	DIODE	QMCXYI	
D504			1SS133	DIODE	V	
D505			HSS104A	DIODE	ET	
D505			1SS133	DIODE	ET	
D507			HSS104A	DIODE	Q	

L : Scandinavia K : USA P : Canada R : Mexico C : China I : Malaysia
Y : PX(Far East, Hawaii) T : Europe E : Europe G : Germany V : China(Shanghai)
Y : AAFES(Europe) X : Australia Q : Russia H : Korea M : Other Areas Δ indicates safety critical components.

* New Parts

Parts without **Parts No.** are not supplied.
Les articles non mentionnés dans le **Parts No.** ne sont pas fournis.
Teile ohne **Parts No.** werden nicht geliefert.

22

Ref. No	Address	New Parts	Parts No.	Description	Destination	Remarks
D507			1SS133	DIODE	Q	
D508, 509			HSS104A	DIODE		
D508, 509			1SS133	DIODE		
D510			HSS104A	DIODE	ETQ	
D510			HSS104A	DIODE	YMXICV	
D510			1SS133	DIODE		
D510			1SS133	DIODE	ETQ	
D511-521			HSS104A	DIODE	YMXICV	
D511-521			1SS133	DIODE		
D522			1SS133	DIODE	5	
D523			HSS104A	DIODE		
D523			1SS133	DIODE		
D524			HSS104A	DIODE	EQT	
D524			1SS133	DIODE	EQT	
D526			HZS6.2N(B2)	ZENER DIODE		
D526			MTZJ6.2(B)	ZENER DIODE		
D526			RD6.2ES(B2)	ZENER DIODE		
D529			HSS104A	DIODE		
D529			1SS133	DIODE		
Δ D530			S1ZB20(4072)	DIODE		
Δ D531			D4SBL20UF03	DIODE	KP	
D532, 533			MA111	DIODE		
ED51			11-MT-120GK	INDICATOR TUBE		
Δ IC1			TA7815SB	ANALOGUE IC		
Δ IC2			TA79015SB	ANALOGUE IC		
Δ IC3		*	STK411-220D	HYBRID IC	K2P2K2	
Δ IC3		*	STK411-220D	HYBRID IC	P3	
Δ IC3		*	STK411-220D	HYBRID IC	56	
Δ IC3		*	STK411-230D	HYBRID IC	K1P1	
Δ IC3		*	STK411-230D	HYBRID IC	7	
Δ IC3		*	STK411-230K	HYBRID IC	K1P1	
Δ IC4		*	STK410-020D	HYBRID IC	K2P2K3	
Δ IC4		*	STK410-020D	HYBRID IC	P3	
Δ IC4		*	STK410-020D	HYBRID IC	56	
Δ IC4		*	STK410-030D	HYBRID IC	K1P1	
Δ IC4			STK410-030D	HYBRID IC	7	
IC5			NJM4580ED	ANALOGUE IC		
IC6			TC9164AF	MOS-IC		
IC7			TC9162AF	MOS-IC		
IC8			NJM4565MD	IC(OP AMP X2)		
IC9			M62446FP	ANALOGUE IC		
IC12			NJM4565MD	IC(OP AMP X2)		
IC16		*	M62460FP	ANALOGUE IC		
IC17			BU4066BCF	ANALOGUE IC		
IC18			NJM2279M	ANALOGUE IC		
IC19			M5278L05M	ANALOGUE IC		
IC51			CXP82832-155Q	MI-COM IC	KP	
IC51			CXP82832-155Q	MI-COM IC	MCXYIV	
IC51			CXP82852-136Q	MI-COM IC	EQT	
IC52			X24C02S	MEMORY IC	EQT	
IC52			X24C02S	MEMORY IC	YMXICV	
IC53			S-80740AL-A4	IC(VOLTAGE DETECTOR)		
IC54			SAA6579T	ANALOGUE IC	EQT	
IC54			SAA6579T/R	ANALOGUE IC	EQT	
IC55			NJM4565MD	IC(OP AMP X2)		

L : Scandinavia K : USA P : Canada R : Mexico C : China I : Malaysia
Y : PX(Far East, Hawaii) T : Europe E : Europe G : Germany V : China(Shanghai)
Y : AAFES(Europe) X : Australia Q : Russia H : Korea M : Other Areas Δ indicates safety critical components.

PARTS LIST

KRF-V5020/V6020/V7020/VR-305/306/355

HOW TO READ THE PARTS LIST

Destination column has the abbreviation for the sale country and model. Alphabets mean the country. Numerals do model.
 Example: X5 show KRF-V5020 for Australia market. *X* does all models for Australia.
 5 does KRF-V5020, KRF-5020(S), KRF-V5020E and KRF-V5020W.

ABBREVIATION OF MODEL AND MASS PRODUCTION'S DESTINATIONS

MODEL	CNT	Australia	Canada	China	England	Europe	Germany	Korea	Malaysia
ABB.	ABB.	X	P	C	T	E	G	H	I
KRF-V5020	5	X5	-	-	T5	E1	-	-	I5
KRF-V5020(S)	5	-	-	-	-	E2	-	-	-
KRF-V5020E	5	-	-	-	-	E3	-	-	-
KRF-V5020W	5	-	-	-	-	-	-	-	-
KRF-V6020	6	X6	-	C6	-	E4	-	-	I6
KRF-V6020E	6	-	-	-	-	E5	-	-	-
KRF-V6020W	6	-	-	-	-	-	-	-	-
KRF-V7020	7	-	-	-	T7	E7	-	-	-
KRF-V7020E	7	-	-	-	-	E8	-	-	-
KRF-V7020W	7	-	-	-	-	-	-	-	-
VR-305	4	-	P2	-	-	-	-	-	-
VR-306	4	-	P1	-	-	-	-	-	-
VR-355	4	-	P3	-	-	-	-	-	-

MODEL	CNT	Mexico	PX/AAFES	Russia	Scandinavia	Shanghai	USA	Other area
ABB.	ABB.	R	Y	Q	L	V	K	M
KRF-V5020	5	-	Y5	-	-	-	-	M5
KRF-V5020(S)	5	-	-	-	-	-	-	-
KRF-V5020E	5	-	-	-	-	-	-	-
KRF-V5020W	5	-	-	Q5	-	-	-	-
KRF-V6020	6	-	-	-	-	V6	-	M6
KRF-V6020E	6	-	-	-	-	-	-	-
KRF-V6020W	6	-	-	Q6	-	-	-	-
KRF-V7020	7	-	-	-	-	-	-	-
KRF-V7020E	7	-	-	-	-	-	-	-
KRF-V7020W	7	-	-	Q7	-	-	-	-
VR-305	4	-	-	-	-	-	K2	-
VR-306	4	-	-	-	-	-	K1	-
VR-355	4	-	-	-	-	-	K3	-

* New Parts

Parts without **Parts No.** are not supplied.

Les articles non mentionnés dans le **Parts No.** ne sont pas fournis.

Teile ohne **Parts No.** werden nicht geliefert.

23

Ref. No	Add-ress	New Parts	Parts No.	Description	Desti-nation	Re-marks
Q1~11 Q12 Q13, 14 Q13, 14 Q13, 14			2SC2878(B) 2SC4213(B) 2SA1576A(R,S) 2SA1586(Y,GR) 2SA1611(M5,M6)	TRANSISTOR TRANSISTOR TRANSISTOR TRANSISTOR TRANSISTOR		
Q13, 14 Q15~19 Q20 Q21 Q22, 23			2SB1218A(Q,R) 2SC1845(F,E) DTC123JUA DTC123JUA DTC123JUA	TRANSISTOR TRANSISTOR DIGITAL TRANSISTOR DIGITAL TRANSISTOR DIGITAL TRANSISTOR	67	
Q24, 25 Q26 Q29 Q30 Q30			2SC3722K(R,S) 2SA1255 2SC3944A(R,S) 2SA1123(S,T) 2SA1285A(F)	TRANSISTOR TRANSISTOR TRANSISTOR TRANSISTOR TRANSISTOR		
Q31 Q32~34 Q35 Q36, 37 Q40	Δ		2SB1640 2SC3722K(R,S) 2SA1255 2SC3722K(R,S) 2SC4213(B)	TRANSISTOR TRANSISTOR TRANSISTOR TRANSISTOR TRANSISTOR		
Q41 Q41 Q42 Q501 Q501			DTC113ZUA UN5219 2SC4213(B) 2SC4081(R,S) 2SC4116(Y,GR)	DIGITAL TRANSISTOR DIGITAL TRANSISTOR TRANSISTOR TRANSISTOR TRANSISTOR	MCXYIV	
Q501 Q501 Q503 Q503 Q503			2SC4177(L5,L6) 2SD1819A(Q,R) 2SC4081(R,S) 2SC4116(Y,GR) 2SC4177(L5,L6)	TRANSISTOR TRANSISTOR TRANSISTOR TRANSISTOR TRANSISTOR		
Q503 TH1			2SD1819A(Q,R) PTH9C42BD471Q	TRANSISTOR POSITIVE RESISTOR	MCXYIV	
A501			W02-2625-05	OPTIC RECEIVING MODULE		
SUB (X25-6222-70)						
C1 C2 C3, 4			CE04KW1C100M CC73FCH1H470J CC73FSL1H221J	ELECTRO CHIP C CHIP C	10UF 47PF 220PF	16WV J J
CN1 CN2 J1		*	E40-3247-05 E40-3249-05 E63-1072-05	PIN ASSY PIN ASSY PHONO JACK		
R1 R2, 3 R4, 5 W1			RK73FB2A750J RK73FB2A102J RK73FB2A224J R92-0670-05	CHIP R CHIP R CHIP R CHIP R	75 1.0K 220K 0 OHM	J 1/10W J 1/10W J 1/10W
S1		*	S68-0113-05	PUSH SWITCH		
D1			DA204U	DIODE		

L : Scandinavia K : USA P : Canada R : Mexico C : China I : Malaysia
 Y : PX(Far East, Hawaii) T : Europe E : Europe G : Germany V : China(Shanghai)
 Y : AAFES(Europe) X : Australia Q : Russia H : Korea M : Other Areas Δ indicates safety critical components.

KRF-V5020/V6020/V7020/VR-305/306/355

SPECIFICATIONS

For Europe and England

AUDIO section

Rated power output during STEREO operation	
KRF-V7020 (DIN) 1 kHz, 0.7% at 4 Ω	100 W + 100 W
KRF-V6020, KRF-V5020 (DIN) 1 kHz, 0.7% at 4 Ω	80 W + 80 W
Effective power output during SURROUND operation	
KRF-V7020	
FRONT (1kHz, 0.7% T.H.D. at 4 Ω one channel driven)	100 W + 100 W
CENTER (1kHz, 0.7% T.H.D. at 4 Ω one channel driven)	100 W
SURROUND (1kHz, 0.7% T.H.D. at 4 Ω one channel driven)	100 W + 100 W
KRF-V6020, KRF-V5020	
FRONT (1kHz, 0.7% T.H.D. at 4 Ω one channel driven)	80 W + 80 W
CENTER (1kHz, 0.7% T.H.D. at 4 Ω one channel driven)	80 W
SURROUND (1kHz, 0.7% T.H.D. at 4 Ω one channel driven)	80 W + 80 W
Total harmonic distortion	0.05% (1 kHz, 40W, 4 Ω)
Frequency response	
CD	10 Hz ~ 60 kHz, +0 dB, -3.0 dB
Signal to noise ratio	
PHONO (MM)	75 dB (IHF'66)
CD	93 dB (IHF'66)
Input sensitivity / impedance	
PHONO (MM)	2.5 mV / 27 kΩ
CD	200 mV / 47 kΩ
DVD 6CH (SUBWOOFER)	200 mV / 10 kΩ
Output level / impedance	
TAPE REC	200 mV / 2.2 kΩ
PRE OUT (CENTER, SURROUND)	1 V / 2.2 kΩ
PRE OUT (SUBWOOFER)	2 V / 2.2 kΩ
Tone control	
BASS	±10 dB (at 100 Hz)
TREBLE	±10 dB (at 10 kHz)

For other countries

AUDIO section

Effective power output during STEREO operation	
KRF-V6020 1kHz, 10% T.H.D. at 8 Ω	120 W + 120 W
KRF-V5020 1kHz, 10% T.H.D. at 8 Ω	110 W + 110 W
Rated power output during STEREO operation	
80 watts per channel minimum RMS, both channels driven, at 8 Ω from 40 Hz to 20 kHz with no more than 0.7% total harmonic distortion.(FTC)	
Effective power output during SURROUND operation	
FRONT (1kHz, 10% T.H.D. at 8 Ω one channel driven)	
	80 W + 80 W
CENTER (1kHz, 10% T.H.D. at 8 Ω one channel driven)	80 W
SURROUND (1kHz, 10% T.H.D. at 8 Ω one channel driven)	80 W + 80 W
Total harmonic distortion	0.05%(1 kHz, 40W, 8 Ω)
Frequency response	
CD	10 Hz ~ 60 kHz, +0 dB, -3.0 dB
Signal to noise ratio (IHF'66)	
PHONO (MM)	75 dB
CD	93 dB
Input sensitivity / impedance	
PHONO (MM)	2.5 mV / 27 kΩ
CD	200 mV / 47 kΩ
DVD 6CH (SUBWOOFER)	200 mV / 10 kΩ
Output level / impedance	
TAPE REC	200 mV / 2.2 kΩ
PRE OUT (SUBWOOFER)	2 V / 2.2 kΩ
Tone control	
BASS	±10 dB (at 100 Hz)
TREBLE	±10 dB (at 10 kHz)

VIDEO section

VIDEO inputs / outputs	
VIDEO (composite)	1 Vp-p / 75 Ω

VIDEO section

VIDEO inputs / outputs	
VIDEO (composite)	1 Vp-p / 75 Ω

FM tuner section

Tuning frequency range	87.5 MHz ~ 108 MHz
Usable sensitivity (DIN, 75 Ω)	
MONO	1.2 μV / 13.2 dBf (40 kHz DEV., S/N 26 dB)
STEREO	45 μV / 44.2 dBf (46 kHz DEV., S/N 46 dB)
Total harmonic distortion (DIN, 1 kHz)	
MONO	0.2% (65.2 dBf input)
STEREO	0.8% (65.2 dBf input)
Signal to noise ratio (DIN weighted, 1 kHz)	
MONO	65 dB (40 kHz DEV., 65.2 dBf input)
STEREO	60 dB (46 kHz DEV., 65.2 dBf input)
Stereo separation (DIN, 1 kHz)	36 dB
Selectivity (DIN, ±300 kHz)	64 dB
Frequency response (30 Hz ~ 15kHz)	+0.5 dB, -3.0 dB

AM tuner section

Tuning frequency range	531 kHz ~ 1,602 kHz
Usable sensitivity (30% mod., S/N 20 dB)	
	16 μV / (600 μV/m)
Signal to noise ratio (30% mod., 1 mV input)	50 dB

GENERAL

Power consumption	230 W
AC outlet	
SWITCHED	2 (total 150 W max.)
Dimensions	
	W : 440 mm
	H : 144 mm
	D : 400 mm
	D : 390 mm
Weight (Net)	
KRF-V7020	9.2 kg
KRF-V6020	8.4 kg
KRF-V5020	8.2 kg

FM tuner section

Tuning frequency range	87.5 MHz ~ 108 MHz
Usable sensitivity (MONO)	
	1.6 μV (75 Ω) / 15.2 dBf (75 kHz DEV., SINAD 30 dB)
50dB quieting sensitivity	
STEREO	31.6 μV (75 Ω) / 41.2 dBf
Total harmonic distortion (1 kHz)	
MONO	0.6% (65 dBf input)
STEREO	0.7% (65 dBf input)
Signal to noise ratio (1 kHz, 75 kHz DEV.)	
MONO	75 dB (65 dBf input)
STEREO	68 dB (65 dBf input)
Stereo separation (1 kHz)	38 dB
Selectivity (±400 kHz)	50 dB
Frequency response	30 Hz ~ 15kHz, +0.5 dB, -3.0 dB

AM tuner section

Tuning frequency range	
For Australia	9 kHz step
	531 kHz ~ 1,602 kHz
Except for Australia	9 kHz step
	531 kHz ~ 1,602 kHz
	10 kHz step
	530 kHz ~ 1,610 kHz
Usable sensitivity (30% mod., S/N 20 dB)	
	16 μV / (600 μV/m)
Signal to noise ratio (30% mod. 1 mV input)	50 dB

GENERAL

Power consumption	
KRF-V6020	280 W
KRF-V5020	230 W
AC outlet	
SWITCHED (for Australia)	1 (total 150 W max.)
SWITCHED (except Australia)	2 (total 150 W max.)
Dimensions	
	W : 440 mm
	H : 144 mm
	D : 400 mm
Weight (Net)	
KRF-V6020	9.4 kg
KRF-V5020	8.2 kg

Notes

1. KENWOOD follows a policy of continuous advancements in development. For this reason specifications may be changed without notice.
2. The full performance may not be exhibited in an extremely cold location (under a water-freezing temperature).

KRF-V5020/V6020/V7020/VR-305/306/355

SPECIFICATIONS

For U.S.A and Canada

AUDIO section

Rated power output during STEREO operation

VR-306

100 watts per channel minimum RMS, both channels driven, at 8 Ω from 40 Hz to 20 kHz with no more than 0.7% total harmonic distortion.(FTC)

VR-305, VR-355

80 watts per channel minimum RMS, both channels driven, at 8 Ω from 40 Hz to 20 kHz with no more than 0.7% total harmonic distortion.(FTC)

Effective power output during SURROUND operation

VR-306

FRONT (1kHz, 0.7% T.H.D. at 8 Ω one channel driven) 100 W + 100 W
CENTER (1kHz, 0.7% T.H.D. at 8 Ω one channel driven) 100 W
SURROUND (1kHz, 0.7% T.H.D. at 8 Ω one channel driven) 100 W + 100 W

VR-305, VR-355

FRONT (1kHz, 0.7% T.H.D. at 8 Ω one channel driven) 80 W + 80 W
CENTER (1kHz, 0.7% T.H.D. at 8 Ω one channel driven) 80 W
SURROUND (1kHz, 0.7% T.H.D. at 8 Ω one channel driven) 80 W + 80 W

Total harmonic distortion 0.05% (1 kHz, 40W, 8 Ω)

Frequency response

CD 10 Hz ~ 60 kHz, +0 dB, -3.0 dB

Signal to noise ratio (IHF'66)

PHONO (MM) 75 dB

CD 93 dB

Input sensitivity / impedance

PHONO (MM) 2.5 mV / 27 kΩ

CD 200 mV / 47 kΩ

DVD 6CH (SUBWOOFER) 200 mV / 10 kΩ

Output level / impedance

TAPE REC 200 mV / 2.2 kΩ

PRE OUT (SUBWOOFER) 2 V / 2.2 kΩ

Tone control

BASS ±10 dB (at 100 Hz)

TREBLE ±10 dB (at 10 kHz)

VIDEO section

VIDEO inputs / outputs

VIDEO (composite) 1 Vp-p / 75 Ω

FM tuner section

Tuning frequency range 87.5 MHz ~ 108 MHz

Usable sensitivity (MONO)

..... 1.6 μV (75 Ω) / 15.2 dBf (75 kHz DEV., SINAD 30 dB)

50dB quieting sensitivity

STEREO 31.6 μV (75 Ω) / 41.2 dBf

Total harmonic distortion (1 kHz)

MONO 0.6% (65 dBf input)

STEREO 0.7% (65 dBf input)

Signal to noise ratio (1 kHz, 75 kHz DEV.)

MONO 75 dB (65 dBf input)

STEREO 68 dB (65 dBf input)

Stereo separation (1 kHz) 38 dB

Selectivity (±400 kHz) 65 dB

Frequency response 30 Hz ~ 15kHz, +0.5 dB, -3.0 dB

AM tuner section

Tuning frequency range

10 kHz step 530 kHz ~ 1,700 kHz

Usable sensitivity (30% mod., S/N 20 dB)

..... 16 μV / (600 μV/m)

Signal to noise ratio (30% mod. 1 mV input) 50 dB

GENERAL

Power consumption

VR-306 2.6 A

VR-305, VR-355 2.2 A

AC outlet

SWITCHED 2 (total 150 W, 1.25 A max.)

Dimensions W : 440 mm (17-5/16")

H : 144 mm (5-11/16")

D : 390 mm (15-3/8")

Weight (Net)

VR-306 8.8 kg (19.4 lb)

VR-305, VR-355 8.2 kg (18.1 lb)

Notes

1. KENWOOD follows a policy of continuous advancements in development. For this reason specifications may be changed without notice.
2. The full performance may not be exhibited in an extremely cold location (under a water-freezing temperature).

Note:

Component and circuit are subject to modification to insure best operation under differing local conditions. This manual is based on General market(M) standard, and provides information on regional circuit modification through use of alternate schematic diagrams, and information on regional component variations through use of parts list.

KENWOOD CORPORATION

14-6,Dogenzaka 1-chome, Shibuya-ku, Tokyo, 150-8501 Japan

KENWOOD SERVICE CORPORATION

P.O BOX 22745, 2201 East Dominguez St., Long Beach, CA 90801-5745, U.S.A.

KENWOOD ELECTRONICS CANADA INC.

6070 Kestrel Road, Mississauga, Ontario, Canada L5T 1S8

KENWOOD ELECTRONICS LATIN AMERICA S.A.

P.O BOX 55-2791, Piso 6 plaza Chase, Cl. 47 y Aquilino de la Guardia Panama, Republic de Panama

KENWOOD ELECTRONICS BRASIL LTDA.

Av. Moema, 170-17, Andar-Cobertura "B", Ed. Maximum Service Center, 04077-020 Moema, São Paulo-SP-Brasil

KENWOOD ELECTRONICS U.K. LIMITED

KENWOOD House, Dwight Road, Watford, Herts., WD1 8EB., United Kingdom

KENWOOD ELECTRONICS BELGIUM N.V.

Meachelsesteenweg 418, B-1930 Zaventem, Belgium

KENWOOD ELECTRONICS DEUTSCHLAND GMBH

Rembrücker Str. 15, 63150 Heusenstamm, Germany

KENWOOD ELECTRONICS FRANCE S.A.

13 Boulevard Ney, 75018 Paris, France

KENWOOD ELECTRONICS ITALIA S.p.A.

Via G. Sirtori, 7/9 20129, Milano, Italy

KENWOOD IBÉRICA S.A.

Bolivia, 239-08020 Barcelona, Spain

KENWOOD ELECTRONICS AUSTRALIA PTY. LTD.

(A.C.N. 001499 074)

P.O Box 504, 8 Figtree Drive, Australia Centre, Homebush, N.S.W. 2140, Australia

KENWOOD & LEE ELECTRONICS, LTD.

Unit 3712-3724, Level 37, Tower 1, Metroplaza, 223 Hing Fong Road, Kwai Fong N.T., Hong Kong

KENWOOD ELECTRONICS GULF FZE

P.O.Box 61318, Jebel Ali, Dubai, U.A.E.

KENWOOD ELECTRONICS SINGAPORE PTE LTD.

No. 1 Genting Lane #02-02, KENWOOD Building, Singapore, 349544

KENWOOD ELECTRONICS (MALAYSIA) SDN BHD.

#4.01 Level 4, Wisma Academy Lot 4A, Jalan 19/1 46300 Petaling Jaya Selangor Darul Ehsan Malaysia

KENWOOD ELECTRONICS (THAILAND) CO., LTD.

573/111 Soi Ramkhamhaeng 39, Ramkhamhaeng Road, Wangthonglang, Bangkok, Bangkok 10301 Thailand