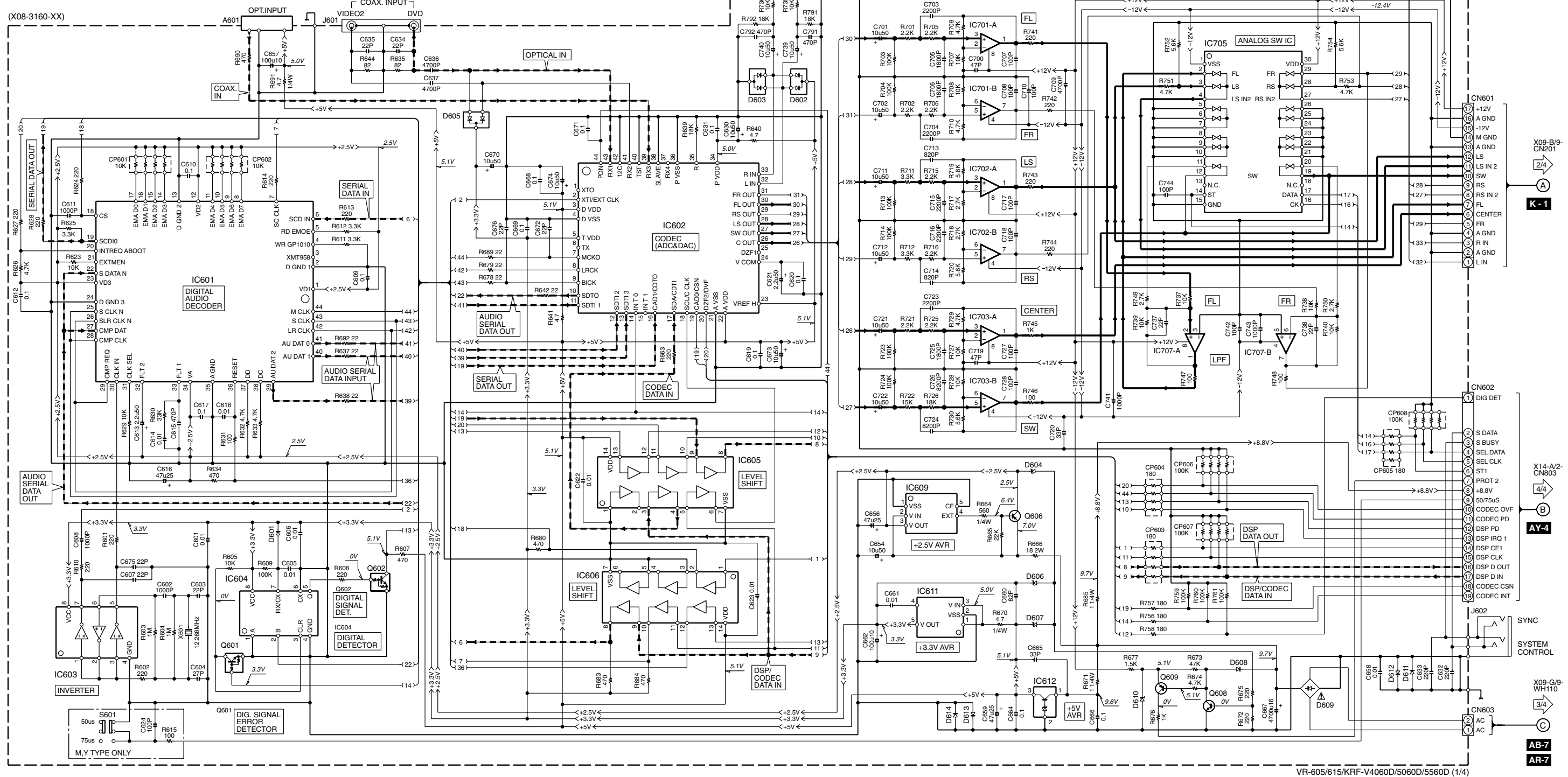
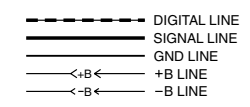


KRF-V4060D (X08-3160-10)			KRF-V4060DE (X08-3160-10)			VR-605 (X08-3160-10)			KRF-V5060D-S (X08-3160-XX)			VR-615 (X08-3160-10)			KRF-V5560D-S (X08-3160-XX)		
DESTINATION	UNIT		DESTINATION	UNIT		DESTINATION	UNIT		DESTINATION	UNIT		DESTINATION	UNIT		DESTINATION	UNIT	
COUNTRY	ABB.	No.	COUNTRY	ABB.	No.	COUNTRY	ABB.	No.	COUNTRY	ABB.	No.	COUNTRY	ABB.	No.	COUNTRY	ABB.	No.
EUROPE	E	0-10	EUROPE	E1	0-10	U.S.A.	K	0-10	EUROPE	E3	0-10	U.S.A.	K	0-10	EUROPE	E	0-10
U.K.	T		U.K.	T1		CANADA	P		U.K.	T1		CANADA	P		U.K.	T1	
									AUSTRALIA	X	0-10				AUSTRALIA	X	0-10
									GENERAL MARKET	M	0-21				KOREA	H	0-10
															GENERAL MARKET	M	0-21

IC601 : CS493264-CLR	IC609 : XC62EP2502MR	Q601,602 : DTC124EUA or UN5212	D601,608,611-614 : MA111	D604 : UDZ3.9B or HZU3.9(B2)
IC602 : AK4586	IC611 : BA03LBSG	Q606 : 2SB1375	D602,605 : 1SS301 or DAN202U or MA142WK	D606,607 : HZU5.6(B2) or HZU5.6(B2)
IC603 : TC7WU04FU	IC612 : BA05T	Q608 : 2SC4081(R,S) or 2SD1819A(Q,R)	Q609 : 2SA1576A(R,S) or 2SB1218A(Q,R)	D609 : D2SBA20F03
IC604 : TC7WH123FU	IC705 : NUJ7311AM			D610 : UDZ5.1B or HZU5.1(B2)
IC605 : TC74HCT7007AF				
IC606 : TC74HC07AF				



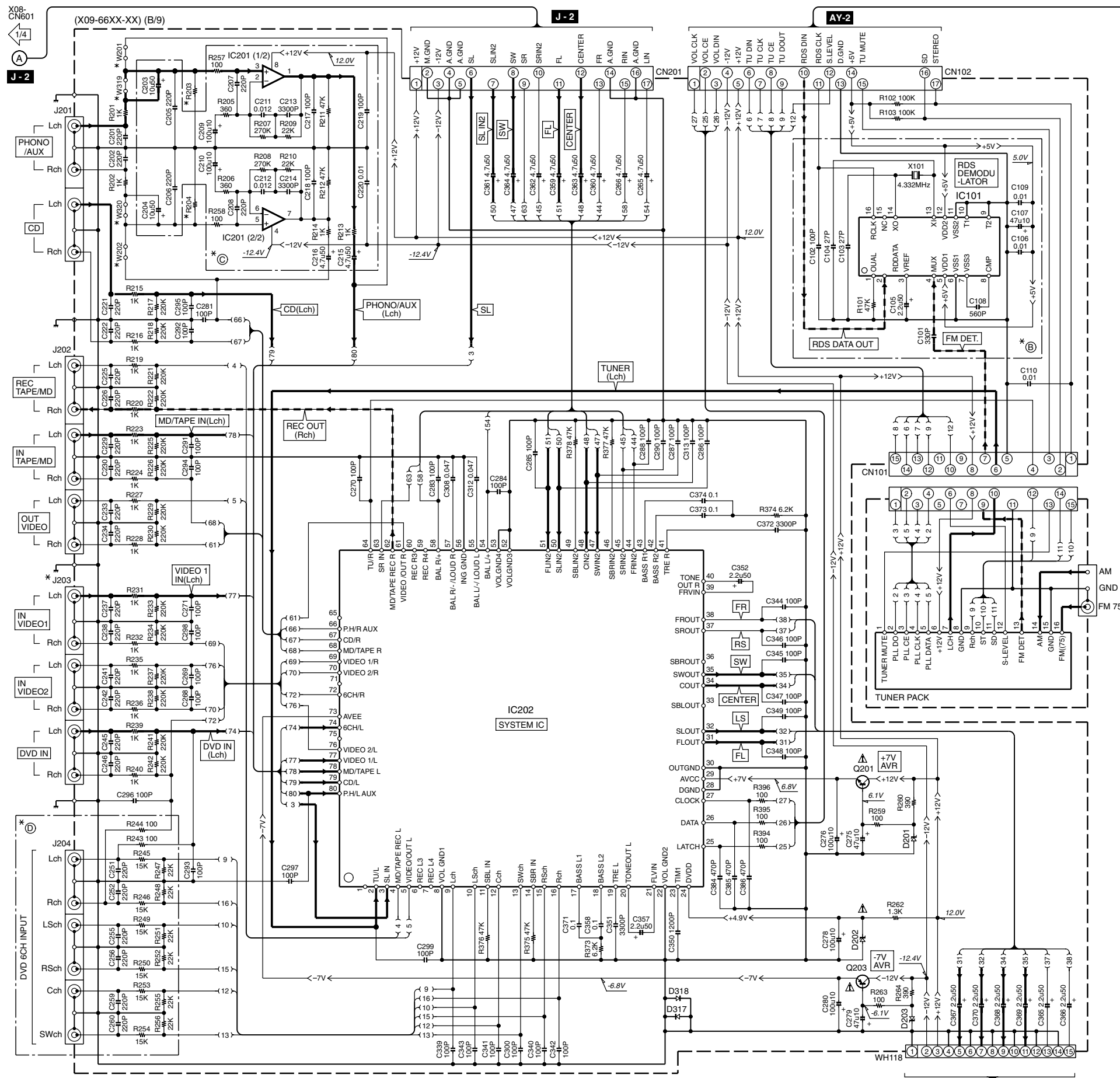
**CAUTION:** For continued safety, replace safety critical components only with manufacturer's recommended parts (refer to parts list).  $\Delta$  indicates safety critical components. For continued protection against risk of fire, replace only with same type and rating fuse(s). To reduce the risk of electric shock, leakage-current or resistance measurements shall be carried out (exposed parts are acceptably insulated from the supply circuit) before the appliance is returned to the customer.

The DC voltage is an actual reading measured with a high impedance type voltmeter with a cassette loaded at playback mode. The measurement value may vary depending on the measuring instruments used or on the product. Bias circuit DC voltage is measured while in the record mode.

downloaded from <http://receiverfaq.ru/>

**KRF-V4060D/V5060D/V5560D/VR-605/615**

**KENWOOD**



KRF-V4060D (X09-660X-XX)							
DESTINATION	COUNTRY	ABB.	UNIT No.	J203	R203, 204	W201,202, 319,320	
EUROPE	E	2-72	YES	NO	E63-1258-05	47K	YES
U.K.	T	0-52					

KRF-V4060D-S (X09-660X-XX)							
DESTINATION	COUNTRY	ABB.	UNIT No.	J203	R203, 204	W201,202, 319,320	
EUROPE	E3	2-72	YES	NO	E63-1258-05	47K	YES
U.K.	T1	0-52					
AUSTRALIA	X	0-72	NO	NO	E63-1258-05	47K	YES
GENERAL MARKET	M	0-22					

KRF-V4060DE (X09-6602-72)							
DESTINATION	COUNTRY	ABB.	UNIT No.	J203	R203, 204	W201,202, 319,320	
EUROPE	E1	2-72	YES	NO	E63-1258-05	47K	YES

KRF-V4060DE-S (X09-6602-72)							
DESTINATION	COUNTRY	ABB.	UNIT No.	J203	R203, 204	W201,202, 319,320	
EUROPE	E2	2-72	YES	NO	E63-1258-05	47K	YES

VR-605 (X09-6600-10)							
DESTINATION	COUNTRY	ABB.	UNIT No.	J203	R203, 204	W201,202, 319,320	
U.S.A.	K	0-10	NO	NO	E63-1258-05	47K	YES
CANADA	P	0-10					

KRF-V5060D (X09-660X-XX)							
DESTINATION	COUNTRY	ABB.	UNIT No.	J203	R203, 204	W201,202, 319,320	
EUROPE	E	2-71	YES	YES	E63-1256-05	30K	NO
U.K.	T	0-51					YES
PX	Y	2-91	NO			47K	NO

KRF-5060D-S (X09-660X-XX)							
DESTINATION	COUNTRY	ABB.	UNIT No.	J203	R203, 204	W201,202, 319,320	
EUROPE	E3	2-71	YES	YES	E63-1256-05	30K	NO
U.K.	T1	0-51					YES
AUSTRALIA	X	0-71	NO	YES	E63-1256-05	47K	YES
GENERAL MARKET	M	0-21					

KRF-5060DE (X09-6602-71)							
DESTINATION	COUNTRY	ABB.	UNIT No.	J203	R203, 204	W201,202, 319,320	
EUROPE	E1	2-71	YES	YES	E63-1256-05	30K	NO

VR-615 (X09-6610-10)							
DESTINATION	COUNTRY	ABB.	UNIT No.	J203	R203, 204	W201,202, 319,320	
U.S.A.	K	0-10	NO	YES	E63-1256-05	47K	YES
CANADA	P	0-10					

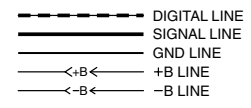
KRF-V5560D (X09-6612-XX)							
DESTINATION	COUNTRY	ABB.	UNIT No.	J203	R203, 204	W201,202, 319,320	
EUROPE	E	2-71	YES	NO	E63-1258-05	47K	YES
PX	Y	2-91	NO				

KRF-V5560D-S (X09-661X-XX)							
DESTINATION	COUNTRY	ABB.	UNIT No.	J203	R203, 204	W201,202, 319,320	
EUROPE	E3	2-71	YES		E63-1258-05	47K	YES
U.K.	T1	0-51					
AUSTRALIA	X	0-71	NO	NO	E63-1258-05	47K	YES
KOREA	H	4-11					
GENERAL MARKET	M	0-21					

- IC101 : BU1923
- IC201 : NJM4580L-D
- IC202 : M61516FP
- Q201 : 2SC1845(F,E)
- Q203 : 2SA992(F,E)
- D201,203 : MTZJ6.8(B) or HZS6.8N(B2)
- D202 : MTZJ5.1(B) or HZS5.1N(B2)
- D317,318 : 1SS133 or HSS104A

**CAUTION:** For continued safety, replace safety critical components only with manufacturer's recommended parts (refer to parts list).  $\Delta$  indicates safety critical components. For continued protection against risk of fire, replace only with same type and rating fuse(s). To reduce the risk of electric shock, leakage-current or resistance measurements shall be carried out (exposed parts are acceptably insulated from the supply circuit) before the appliance is returned to the customer.



MODE	CARRIER	MODULATION		ANT INPUT
		FREQUENCY	DEVIATION	
FM	98MHz	1kHz	STEREO 67.5kHz 7.5kHz(Pilot)	60dB
AM	1000(999)kHz	400Hz	MONO 30% MOD	60dB

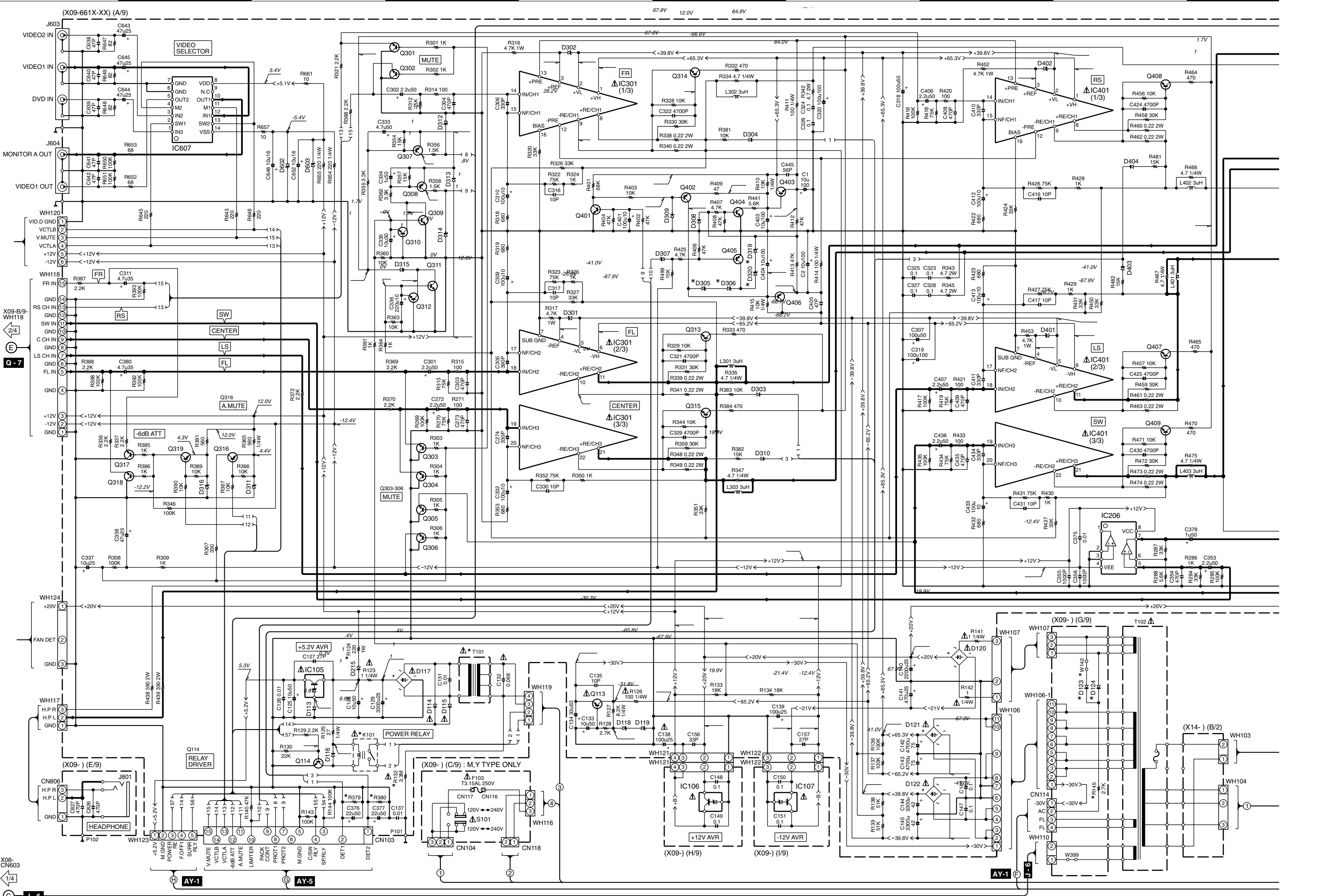
The DC voltage is an actual reading measured with a high impedance type voltmeter as the AM/FM signal generator is specified to the conditions as shown in the list below. The measurement value may vary depending on the measuring instruments used or on the product. The value shown in ( ) is actual reading measured in the AM mode.

U-3  
AJ-3

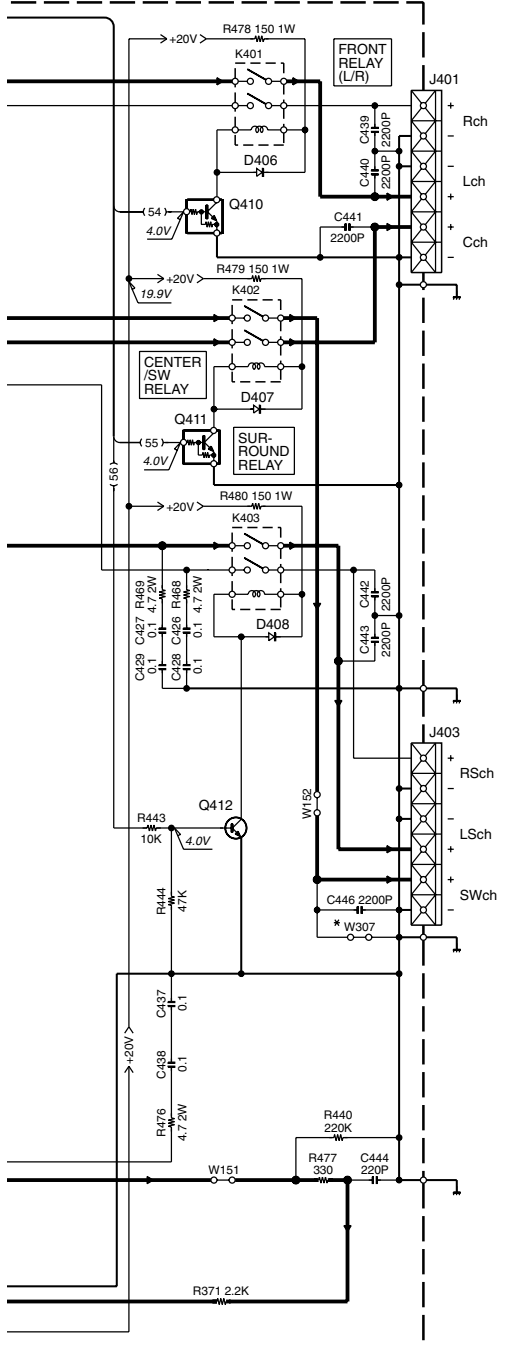
Y05-4530-10

KRF-V4060D/V5060D/V5560D/VR-605/615

KENWOOD



(X09-661x-xx) (A/9)



VR-615 (X09-6610-10)

DESTINATION	UNIT ABBE	C130	CN106	CN112	D123	D305, 306	D319, 320	D319, 320	F101	F102	J205	J206	K101	R124, 132	R379, 380	R145	S102	T101	W321, 387	W142	W142	W321, 387
COUNTRY	K	0-10	NO	YES	NO	MTZJ10(B) or HZS1N(B2)	MTZJ10(B) or HZS1N(B2)	MTZJ13(B) or HZS1N(B2)	6A	NO	NO	NO	NO	NO	NO	NO	NO	NO	L07-2758-05 or L07-2761-05	NO	NO	NO
COUNTRY	P	0.088 or 8800P	NO	NO	NO	MTZJ10(B) or HZS1N(B2)	MTZJ10(B) or HZS1N(B2)	MTZJ13(B) or HZS1N(B2)	125V	NO	E03-0148-05	E03-0149-05	E03-0149-05	S76-0102-05	E03-0149-05	E03-0149-05	E03-0149-05	NO	L07-2758-05 or L07-2761-05	NO	NO	NO

KRF-V5560D (X09-6612-XX)

DESTINATION	UNIT ABBE	E	2-71	8800P	CN108	CN115	D123	D305, 306	D319	D319	D320	F101	F102	J205	J206	K101	R124, 145	R132	R132	R379, 380	S102	T101	W142	W321, 387
COUNTRY	Y	2-91	NO	NO	YES	NO	NO	NO	MTZJ10(B) or HZS1N(B2)	MTZJ10(B) or HZS1N(B2)	MTZJ13(B) or HZS1N(B2)	T3,15AL	T3,15AL	NO	NO	NO	NO	NO	NO	NO	NO	NO	NO	NO
COUNTRY	X	0-21	8800P	NO	YES	NO	NO	NO	MTZJ10(B) or HZS1N(B2)	MTZJ10(B) or HZS1N(B2)	MTZJ13(B) or HZS1N(B2)	250V	250V	NO	NO	NO	NO	NO	NO	NO	NO	NO	NO	NO

KRF-V5560D-S (X09-661X-XX)

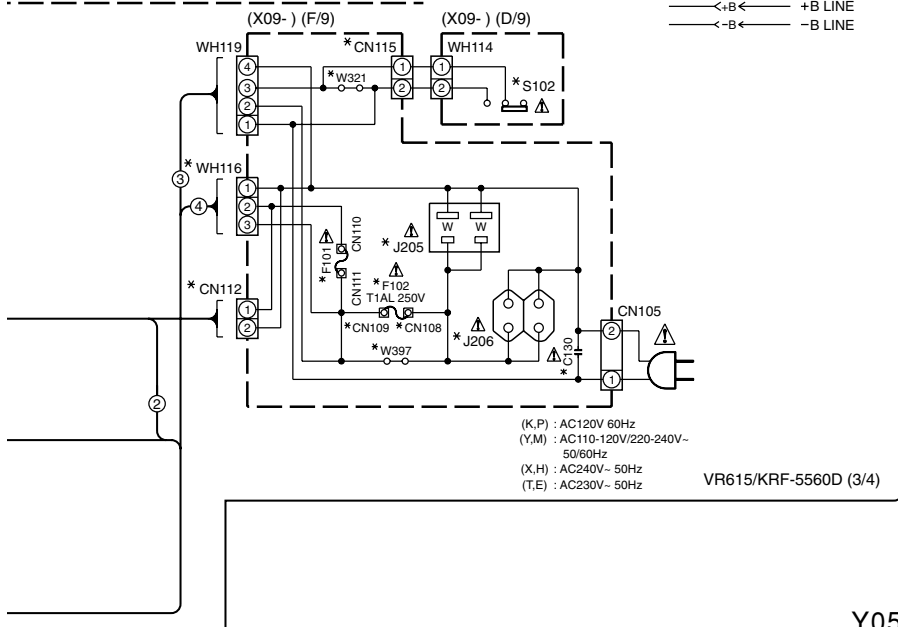
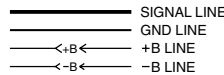
DESTINATION	UNIT ABBE	C130	CN108	CN112	D123	D305, 306	D319	D305, 306	D319	D320	F101	F102	J205	J206	K101	R124, 145	R132	R132	R124, 145	R132	R379, 380	S102	T101	W142	W321, 387
COUNTRY	H	4-11	NO	NO	NO	NO	NO	NO	MTZJ10(B) or HZS1N(B2)	MTZJ10(B) or HZS1N(B2)	MTZJ13(B) or HZS1N(B2)	T3,15AL	T3,15AL	NO	NO	NO	NO	NO	NO	NO	NO	NO	NO	NO	
COUNTRY	X	0-21	8800P	NO	NO	NO	NO	NO	MTZJ10(B) or HZS1N(B2)	MTZJ10(B) or HZS1N(B2)	MTZJ13(B) or HZS1N(B2)	250V	250V	NO	NO	NO	NO	NO	NO	NO	NO	NO	NO	NO	

- IC105 : BA05T
- IC106 : KIA7812API
- IC107 : KIA7912PI
- IC206 : NJM4565D
- IC301,401 : STK413-220A or STK413-020A
- IC607 : NJM2279D

- Q113,406 : 2SB1640
- Q114,412 : 2SC1740S(Q,R) or 2SC2878(F,E)
- Q301-306,317,318 : 2SC2878(B)
- Q307,308,316,319,405 : 2SA992(F,E)
- Q309-315,401,404, 407-409 : 2SC1845(F,E)
- Q402 : 2SA1535A
- Q403 : 2SC3944A
- Q410,411 : UN4219 or DTC113ZSA

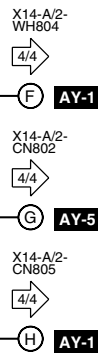
**CAUTION:** For continued safety, replace safety critical components only with manufacturer's recommended parts (refer to parts list). ⚠ indicates safety critical components. For continued protection against risk of fire, replace only with same type and rating fuse(s). To reduce the risk of electric shock, leakage-current or resistance measurements shall be carried out (exposed parts are acceptably insulated from the supply circuit) before the appliance is returned to the customer.

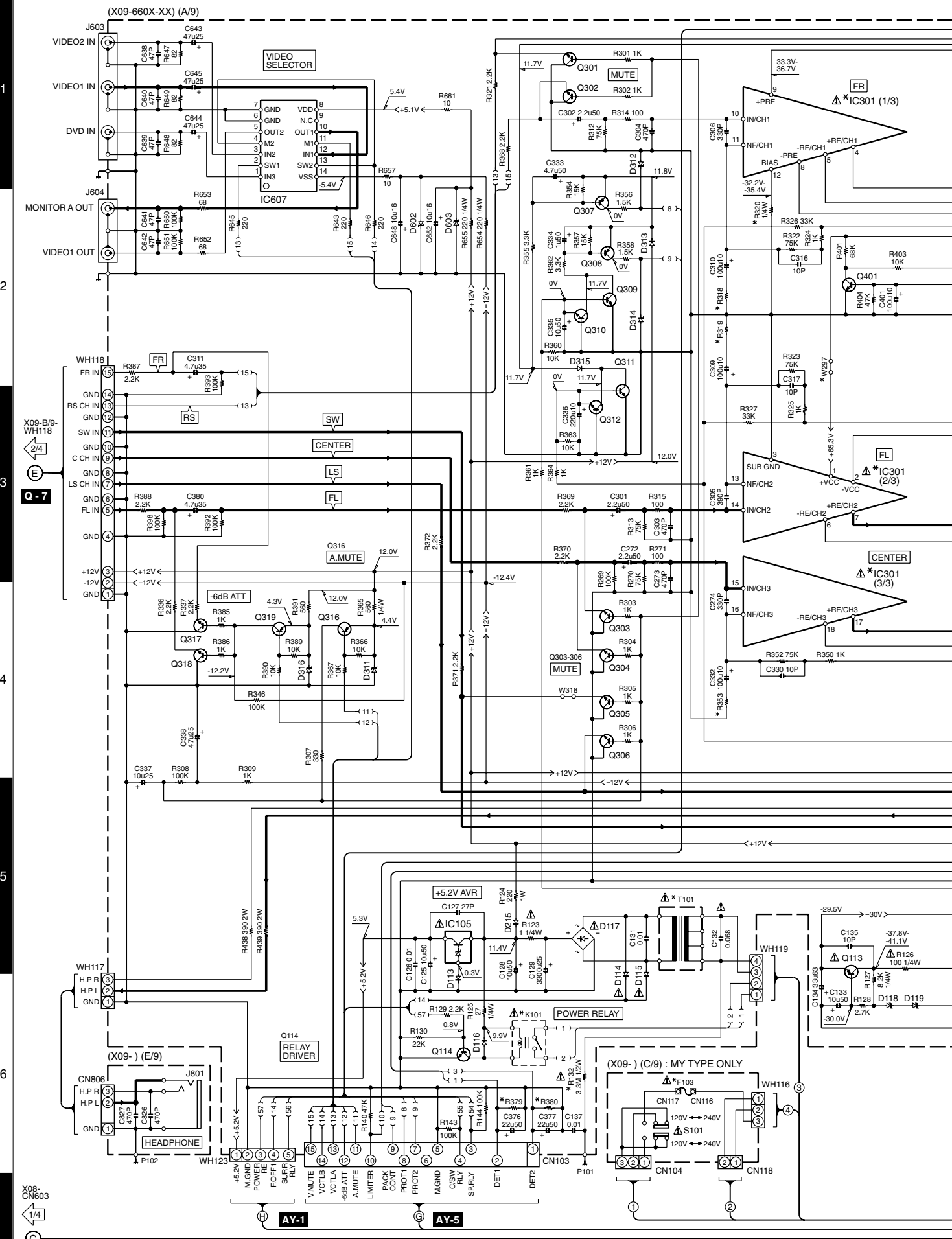
The DC voltage is an actual reading measured with a high impedance type voltmeter with a cassette loaded at playback mode. The measurement value may vary depending on the measuring instruments used or on the product. Bias circuit DC voltage is measured while in the record mode.



(K,P) : AC120V 60Hz  
 (Y,M) : AC110-120V/220-240V-50/60Hz  
 (X,H) : AC240V- 50Hz  
 (T,E) : AC230V- 50Hz

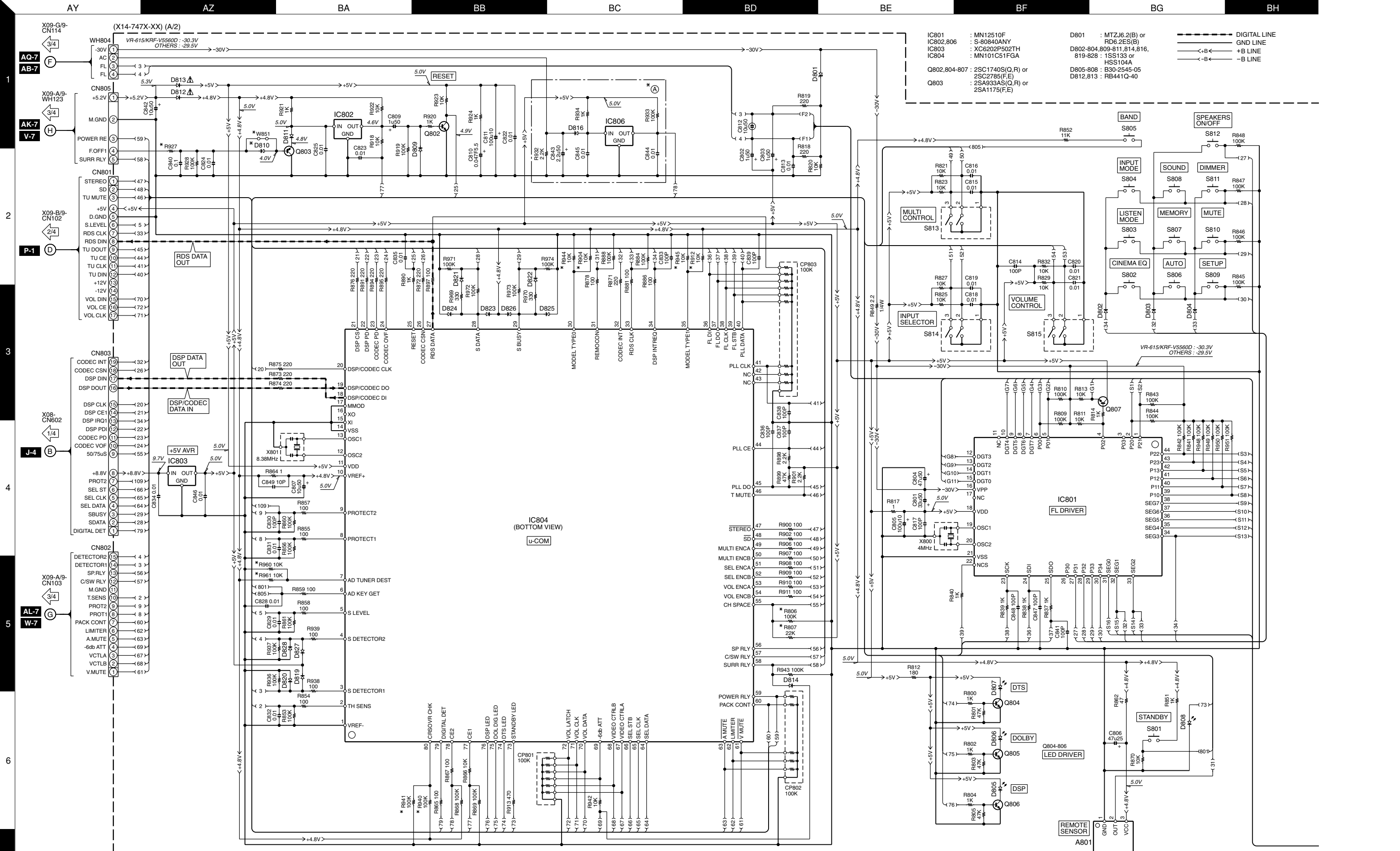
VR615/KRF-5560D (3/4)





X08-CN603  
1/4





- |  |   |                  |
|--|---|------------------|
| IC801 : MN12510F                             | D801 : MTZJ6.2(B) or RD6.2ES(B)                       | --- DIGITAL LINE |
| IC802,806 : S-80840ANY                       | D802-804,809-811,814,816, 819-828 : 1SS133 or HSS104A | --- GND LINE     |
| IC803 : XC6202P502TH                         | D805-808 : B30-2545-05                                | --- +B LINE      |
| IC804 : MN101C51FGA                          | D812,813 : RB441Q-40                                  | --- -B LINE      |
| Q802,804-807 : 2SC1740S(Q,R) or 2SC2785(F,E) |   |                  |
| Q803 : 2SA933AS(Q,R) or 2SA1175(F,E)         |   |                  |

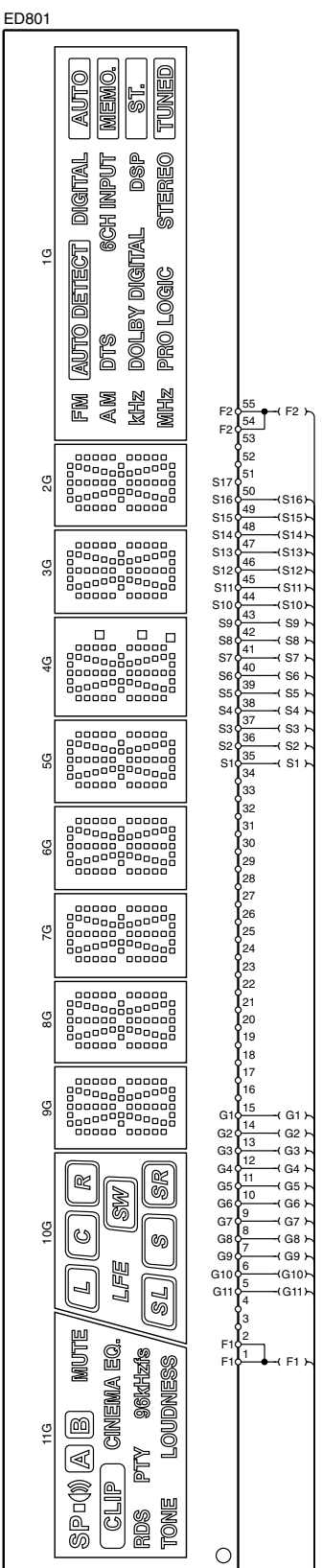
IC804 (BOTTOM VIEW)  
u-COM

IC801  
FL DRIVER

Q804-806  
LED DRIVER

REMOTE SENSOR  
A801

(X14-747X-XX) (A/2)



VR-605/615/KRF-V4060D/5060D/5560D (4/4)

KRF-V4060D (X14-7472-73)

DESTINATION	UNIT	Ab	DB10	R806, 904, 941, 945, 961	R807, 866, 912, 940, 944, 960	R927	W851
COUNTRY	Abb. No.	Ab	Ab	Ab	Ab	Ab	Ab
EUROPE	E	2-73	NO	NO	YES	NO	160K YES
U.K.	T						

KRF-V4060D-S (X14-747X-XX)

DESTINATION	UNIT	Ab	DB10	R806, 904, 941, 945, 961	R807, 866, 912, 940, 944, 960	R927	R960	W851
COUNTRY	Abb. No.	Ab	Ab	Ab	Ab	Ab	Ab	Ab
GENERAL MARKET	M	0-23	YES	YES	NO	YES		NO
AUSTRALIA	X	0-73					62K 180K	YES
EUROPE	E3	2-73	NO	NO	YES	NO	160K	NO
U.K.	T1							YES

KRF-V4060DE (X14-7472-73)

DESTINATION	UNIT	Ab	DB10	R806, 904, 941, 945, 961	R807, 866, 912, 940, 944, 960	R927	W851
COUNTRY	Abb. No.	Ab	Ab	Ab	Ab	Ab	Ab
EUROPE	E1	2-73	NO	NO	YES	NO	160K YES

KRF-V4060DE-S (X14-7472-73)

DESTINATION	UNIT	Ab	DB10	R806, 904, 941, 945, 961	R807, 866, 912, 940, 944, 960	R927	W851
COUNTRY	Abb. No.	Ab	Ab	Ab	Ab	Ab	Ab
EUROPE	E2	2-73	NO	NO	YES	NO	160K YES

VR605 (X14-7470-10)

DESTINATION	UNIT	Ab	DB10	R806, 904, 941, 945, 960	R807, 866, 912, 940, 944, 960	R927	W851
COUNTRY	Abb. No.	Ab	Ab	Ab	Ab	Ab	Ab
U.S.A	K	0-10	NO	YES	YES	NO	56K NO
CANADA	P						

KRF-V5060D (X14-747X-XX)

DESTINATION	UNIT	Ab	DB10	R806, 904, 941, 945, 961	R807, 866, 912, 940, 944, 960	R927	R941, 944, 961	W851
COUNTRY	Abb. No.	Ab	Ab	Ab	Ab	Ab	Ab	Ab
PX	Y	0-21	YES	YES	NO	YES	62K	NO
EUROPE	E	2-71	NO	NO	YES	NO	160K	YES
U.K.	T							YES

KRF-V5060D-S (X14-747X-XX)

DESTINATION	UNIT	Ab	DB10	R806, 904, 941, 945, 961	R807, 866, 912, 940, 944, 960	R927	R941, 944, 961	R945	R960	W851
COUNTRY	Abb. No.	Ab	Ab	Ab	Ab	Ab	Ab	Ab	Ab	Ab
GENERAL MARKET	M	0-21	YES	YES	NO	YES	62K			NO
AUSTRALIA	X	0-71					180K			YES
EUROPE	E3	2-71	NO	NO	YES	NO	160K	YES	NO	YES
U.K.	T1									YES

KRF-V5060DE (X14-7472-71)

DESTINATION	UNIT	Ab	DB10	R806, 904, 941, 945, 961	R807, 866, 912, 940, 944, 960	R927	W851
COUNTRY	Abb. No.	Ab	Ab	Ab	Ab	Ab	Ab
EUROPE	E1	2-71	NO	NO	YES	NO	160K YES

VR-615 (X14-7470-11)

DESTINATION	UNIT	Ab	DB10	R806, 912, 940, 944, 960	R807, 866, 904, 941, 945, 961	R927	W851
COUNTRY	Abb. No.	Ab	Ab	Ab	Ab	Ab	Ab
U.S.A	K	0-11	NO	YES	YES	NO	56K NO
CANADA	P						

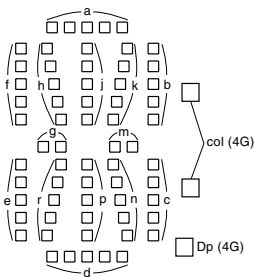
KRF-V5560D (X14-747X-XX)

DESTINATION	UNIT	Ab	DB10	R806, 904, 941, 945, 961	R807, 866, 912, 940, 944, 960	R927	W851
COUNTRY	Abb. No.	Ab	Ab	Ab	Ab	Ab	Ab
PX	Y	0-22	YES	YES	NO	YES	62K NO
EUROPE	E	2-72	NO	NO	YES	NO	160K YES

KRF-V5560D-S (X14-747X-XX)

DESTINATION	UNIT	Ab	DB10	R806, 904, 941, 945, 961	R807, 866, 912, 940, 944, 960	R927	R960	W851
COUNTRY	Abb. No.	Ab	Ab	Ab	Ab	Ab	Ab	Ab
GENERAL MARKET	M	0-22	YES	YES	NO	YES		NO
AUSTRALIA	X	0-72					62K 180K	YES
EUROPE	E3	2-72	NO	NO	YES	NO	160K	NO
U.K.	T1							YES
KOREA	H							

	11G	10G	9G	8G	7G	6G	5G	4G	3G	2G	1G
P1	SP1	L	a	a	a	a	a	a	a	a	FM
P2	A	C	j	j	j	j	j	j	j	j	AM
P3	B	R	h	h	h	h	h	h	h	h	MHz
P4	MUTE	SL	k	k	k	k	k	k	k	k	kHz
P5	CLIP	S	b	b	b	b	b	b	b	b	AUTO
P6	CINEMA EQ.	SR	f	f	f	f	f	f	f	f	MEMO.
P7	-	LFE	g	g	g	g	g	g	g	g	ST.
P8	-	SW	m	m	m	m	m	m	m	m	TUNED
P9	RDS	L	c	c	c	c	c	c	c	c	AUTO DETECT
P10	PTY	C	e	e	e	e	e	e	e	e	DTS
P11	96kHz	R	r	r	r	r	r	r	r	r	DOLBY DIGITAL
P12	TONE	SL	n	n	n	n	n	n	n	n	PRO LOGIC
P13	LOUDNESS	S	p	p	p	p	p	p	p	p	DIGITAL
P14	-	SR	d	d	d	d	d	d	d	d	6CH INPUT
P15	-	SW	-	-	-	-	-	-	-	-	DSP
P16	-	-	-	-	-	-	-	-	-	-	STEREO



**CAUTION:** For continued safety, replace safety critical components only with manufacturer's recommended parts (refer to parts list).  $\Delta$  indicates safety critical components. For continued protection against risk of fire, replace only with same type and rating fuse(s). To reduce the risk of electric shock, leakage-current or resistance measurements shall be carried out (exposed parts are acceptably insulated from the supply circuit) before the appliance is returned to the customer.

The DC voltage is an actual reading measured with a high impedance type voltmeter with a cassette loaded at playback mode. The measurement value may vary depending on the measuring instruments used or on the product. Bias circuit DC voltage is measured while in the record mode.

KRF-V4060D/V5060D/V5560D/VR-605/615

