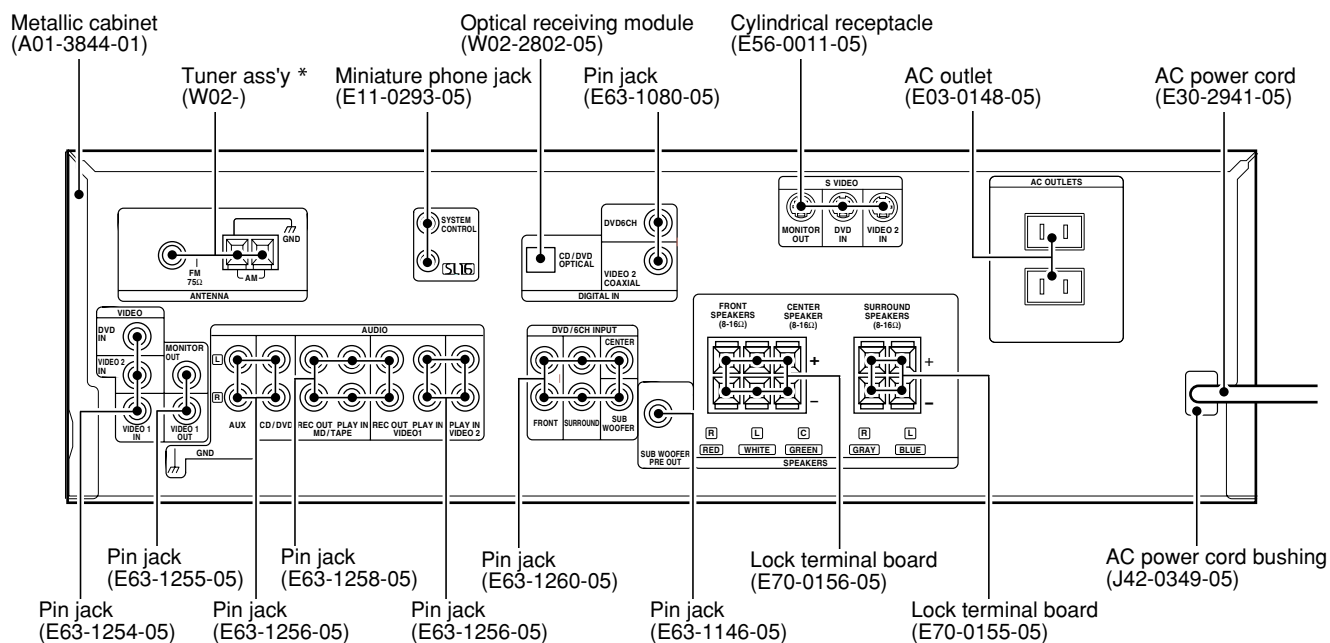
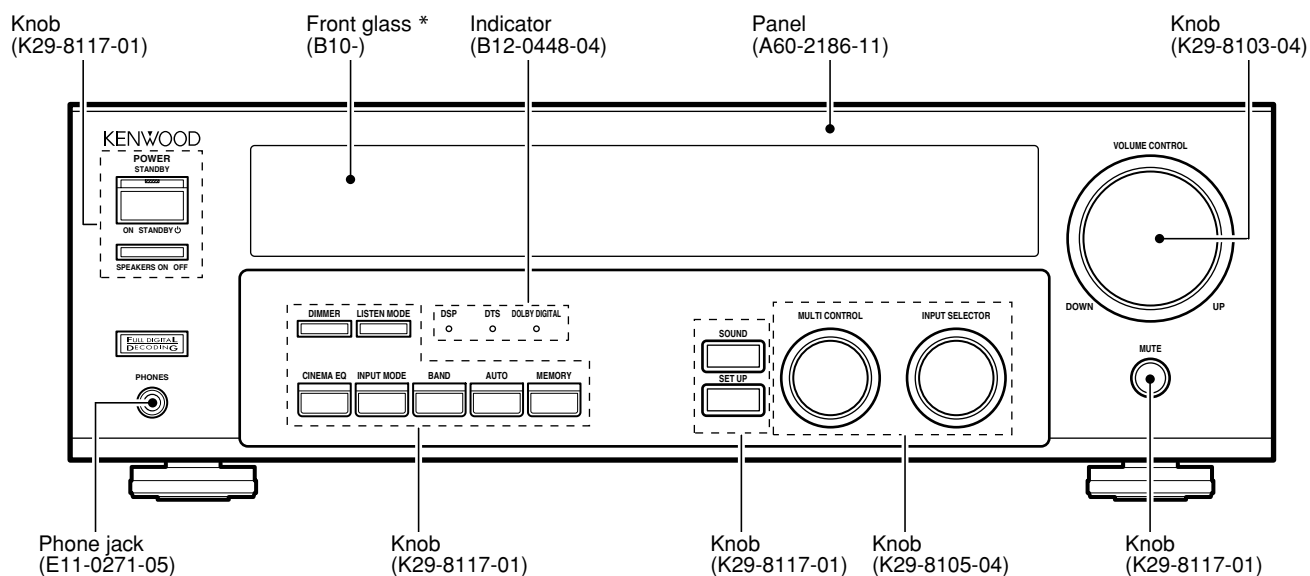


VR-606/616

SERVICE MANUAL

© 2002-3 PRINTED IN KOREA
B51-5787-00 (K/K) 1383



Illust. is VR-606.

* Refer to parts list on page 23.



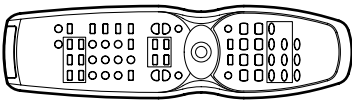
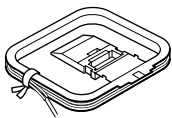

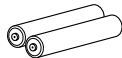
VR-606/616

CONTENTS / ACCESSORIES / CAUTIONS

Contents

CONTENTS / ACCESSORIES / CAUTIONS.....	2	EXPLODED VIEW	22
PARTS DESCRIPTIONS	3	PARTS LIST.....	23
PC BOARD	4	SPECIFICATIONS	29
SCHEMATIC DIAGRAM	10		

Accessories

Remote control unit (1) RC-R0728 (A70-1584-05)	AM loop antenna (1) (T90-0852-05)	FM indoor antenna (1) (T90-0877-05)	Batteries (R6/AA) (2)
			
Battery cover(A09-1258-08)			

Cautions

Resetting the Microcomputer

The microcomputer may malfunction (unit cannot be operated, or shows an erroneous display) if the power cord is unplugged while the power is ON, or due to some other external factor. If this happens, execute the following procedure to reset the microcomputer and return the unit to its normal operating condition.

- Please note that resetting the microcomputer will clear the contents of the memory and return the unit to the state it was in when it left the factory

For the U.S.A. and Canada

Unplug the power cord from the wall outlet, then plug it back in while holding down the POWER key.

Memory back up function

Please note that the following items will be deleted from the unit's memory if the power cord is disconnected from the AC outlet for approximately 3 days.

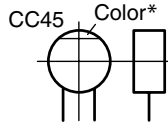
- Power mode.
- Input selector settings.
- Picture output.
- Speaker ON/OFF.
- Volume level.
- BASS, TREBLE, INPUT level.
- Dimmer level.
- MD/TAPE settings.
- Listen mode setting.
- Speaker settings.
- SW RE-MIX ON/OFF.
- Distance setting.
- Input mode setting.
- Midnight mode setting.
- PRO LOGIC II mode setting.
- Broadcast band.
- Frequency setting.
- Preset stations.
- Tuning mode.
- CINEMA EQ ON/OFF.
- LOUDNESS ON/OFF.

PARTS DESCRIPTIONS

CAPACITORS

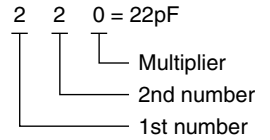
CC 45 TH 1H 220 J
 1 2 3 4 5 6

- 1 = Type ... ceramic, electrolytic, etc.
- 2 = Shape ... round, square, ect.
- 3 = Temp. coefficient
- 4 = Voltage rating
- 5 = Value
- 6 = Tolerance



• Capacitor value

- 010 = 1pF
- 100 = 10pF
- 101 = 100pF
- 102 = 1000pF = 0.001μF
- 103 = 0.01μF



• Temperature coefficient

1st Word	C	L	P	R	S	T	U
Color*	Black	Red	Orange	Yellow	Green	Blue	Violet
ppm/°C	0	-80	-150	-220	-330	-470	-750

2nd Word	G	H	J	K	L
ppm/°C	±30	±60	±120	±250	±500

Example : CC45TH = -470 ± 60ppm/°C

• Tolerance (More than 10pF)

Code	C	D	G	J	K	M	X	Z	P	No code
(%)	±0.25	±0.5	±2	±5	±10	±20	+40 -20	+80 -20	+100 -0	More than 10μF - 10 ~ +50 Less than 4.7μF -10 ~ +75

(Less than 10pF)

Code	B	C	D	F	G
(pF)	±0.1	±0.25	±0.5	±1	±2

• Voltage rating

2nd word \ 1st word	A	B	C	D	E	F	G	H	J	K	V
0	1.0	1.25	1.6	2.0	2.5	3.15	4.0	5.0	6.3	8.0	-
1	10	12.5	16	20	25	31.5	40	50	63	80	35
2	100	125	160	200	250	315	400	500	630	800	-
3	1000	1250	1600	2000	2500	3150	4000	5000	6300	8000	-

• Chip capacitors

(EX) C C 7 3 F S L 1 H 0 0 0 J
 1 2 3 4 5 6 7

(Chip)(CH, RH, UJ, SL)

(EX) C K 7 3 F F 1 H 0 0 0 Z
 1 2 3 4 5 6 7

(Chip)(B, F)

Refer to the table above.

- 1 = Type
- 2 = Shape
- 3 = Dimension
- 4 = Temp. coefficient
- 5 = Voltage rating
- 6 = Value
- 7 = Tolerance

Dimension (Chip capacitors)

Dimension code	L	W	T
Empty	5.6 ± 0.5	5.0 ± 0.5	Less than 2.0
A	4.5 ± 0.5	3.2 ± 0.4	Less than 2.0
B	4.5 ± 0.5	2.0 ± 0.3	Less than 2.0
C	4.5 ± 0.5	1.25 ± 0.2	Less than 1.25
D	3.2 ± 0.4	2.5 ± 0.3	Less than 1.5
E	3.2 ± 0.2	1.6 ± 0.2	Less than 1.25
F	2.0 ± 0.3	1.25 ± 0.2	Less than 1.25
G	1.6 ± 0.2	0.8 ± 0.2	Less than 1.0

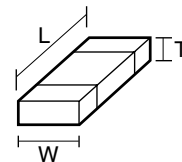
RESISTORS

• Chip resistor (Carbon)

(EX) R K 7 3 E B 2 B 0 0 0 J
 1 2 3 4 5 6 7

(Chip)(B,F)

Dimension



• Carbon resistor (Normal type)

(EX) R D 1 4 B B 2 C 0 0 0 J
 1 2 3 4 5 6 7

- 1 = Type
- 2 = Shape
- 3 = Dimension
- 4 = Temp. coefficient
- 5 = Rating wattage
- 6 = Value
- 7 = Tolerance

Dimension (Chip resistor)

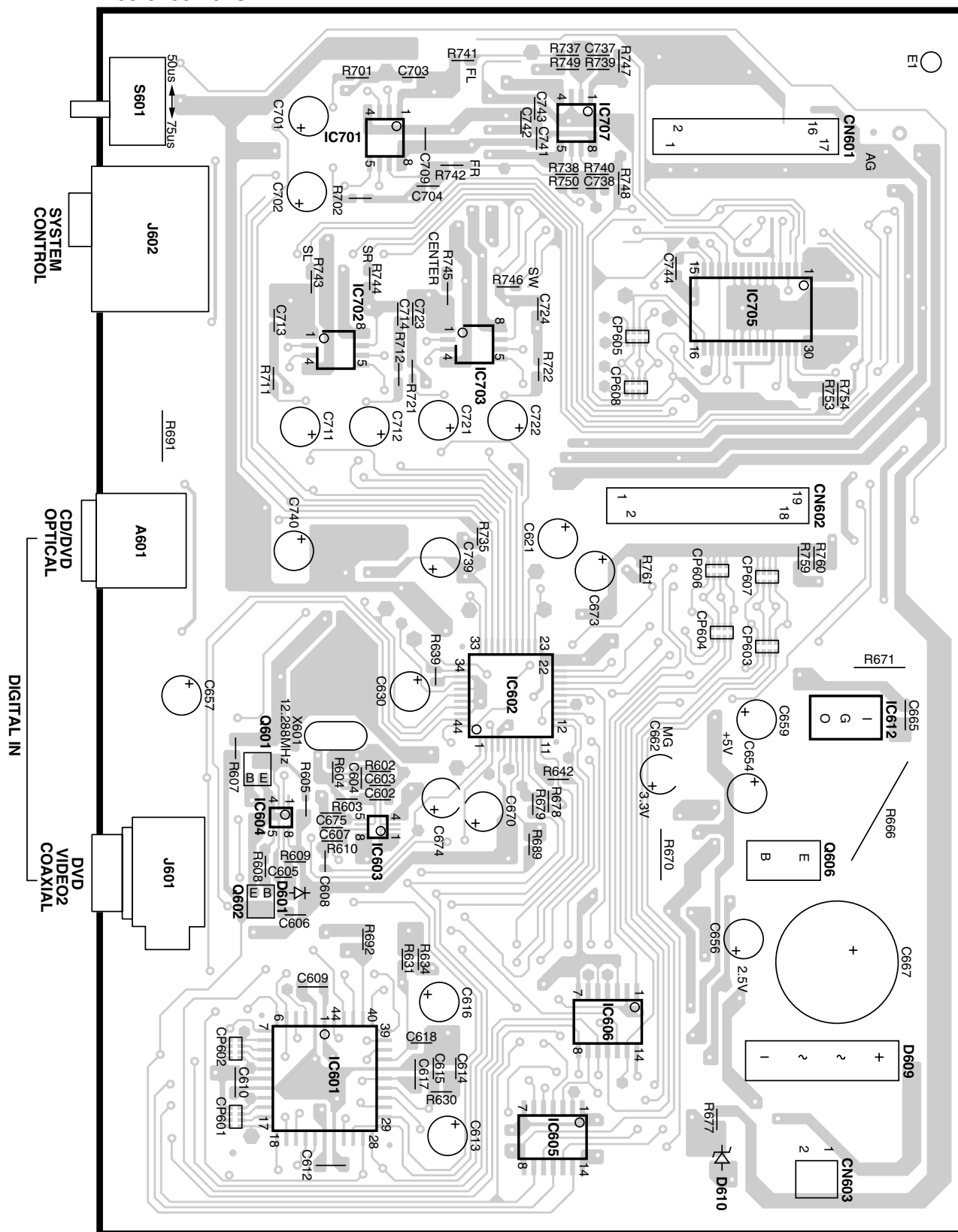
Dimension code	L	W	T
E	3.2 ± 0.2	1.6 ± 0.2	1.0
F	2.0 ± 0.3	1.25 ± 0.2	1.0
G	1.6 ± 0.2	0.8 ± 0.2	0.5 ± 0.1

Rating wattage

Code	Wattage	Code	Wattage	Code	Wattage
1J	1/16W	2C	1/6W	3A	1W
2A	1/10W	2E	1/4W	3D	2W
2B	1/8W	2H	1/2W		

PC BOARD (Component side view)

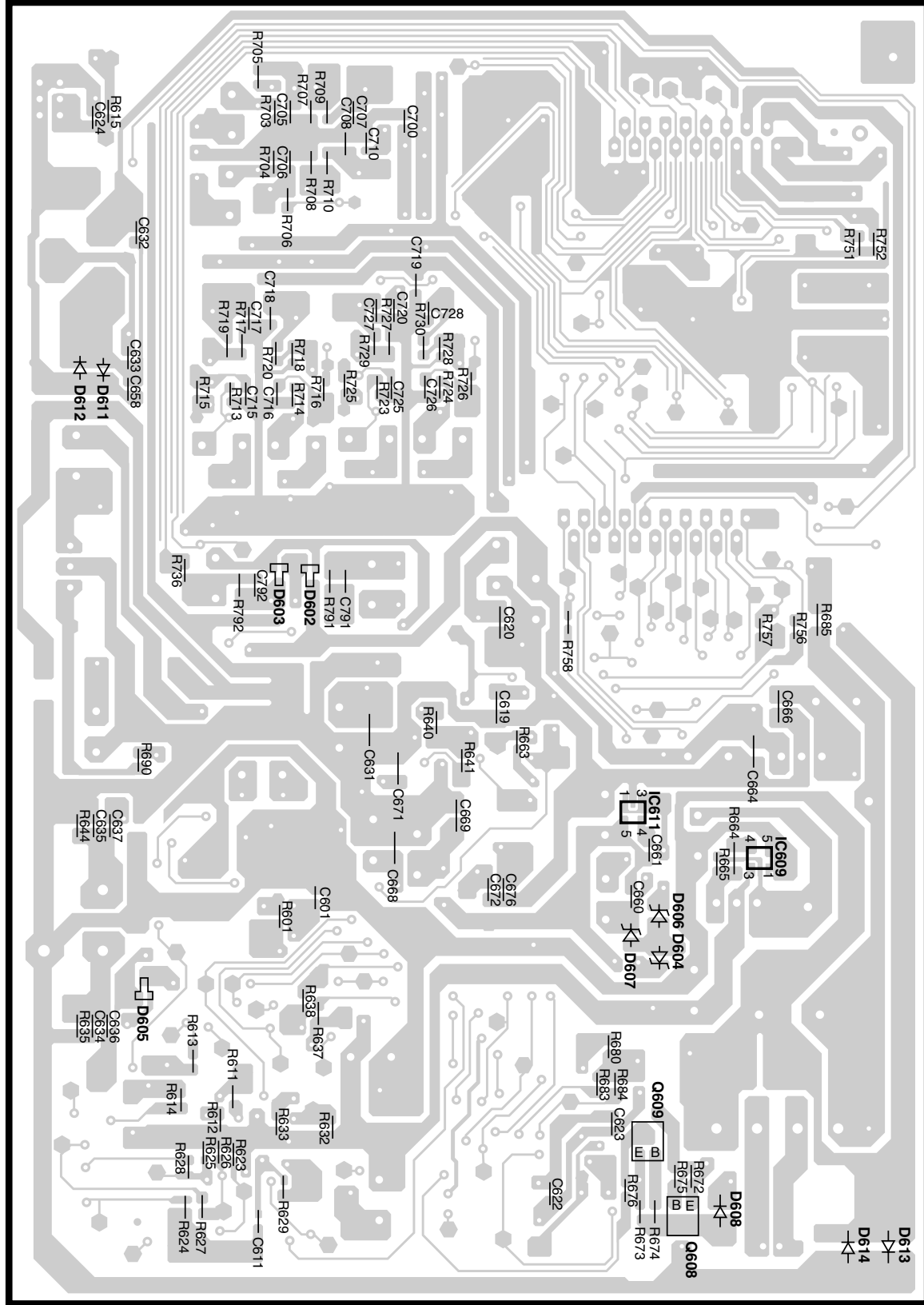
X08-3200-10 SIDE A



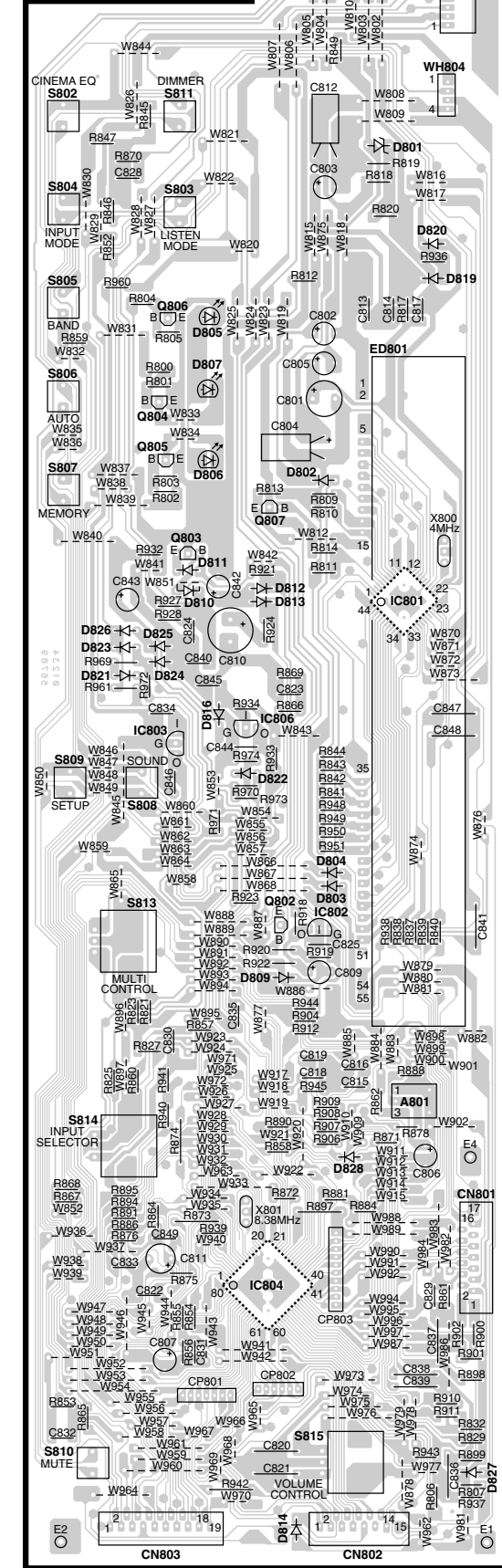
Refer to the schematic diagram for the value of resistors and capacitors.

PC BOARD (Component side view)

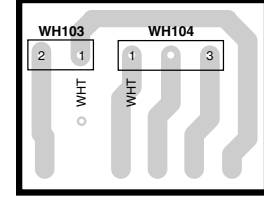
X08-3200-10 SIDE B



X14-7520-10 A/2

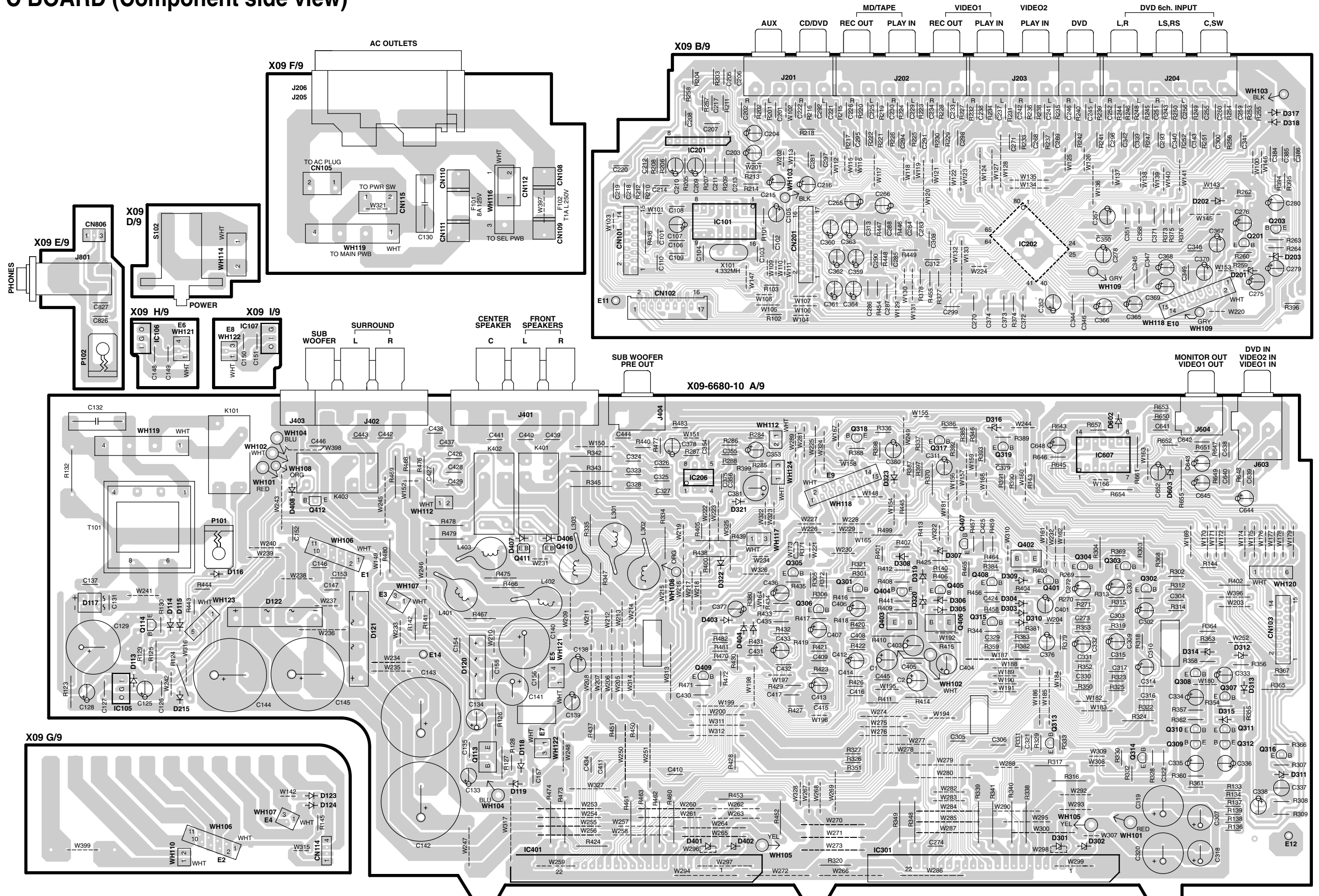


X14 B/2



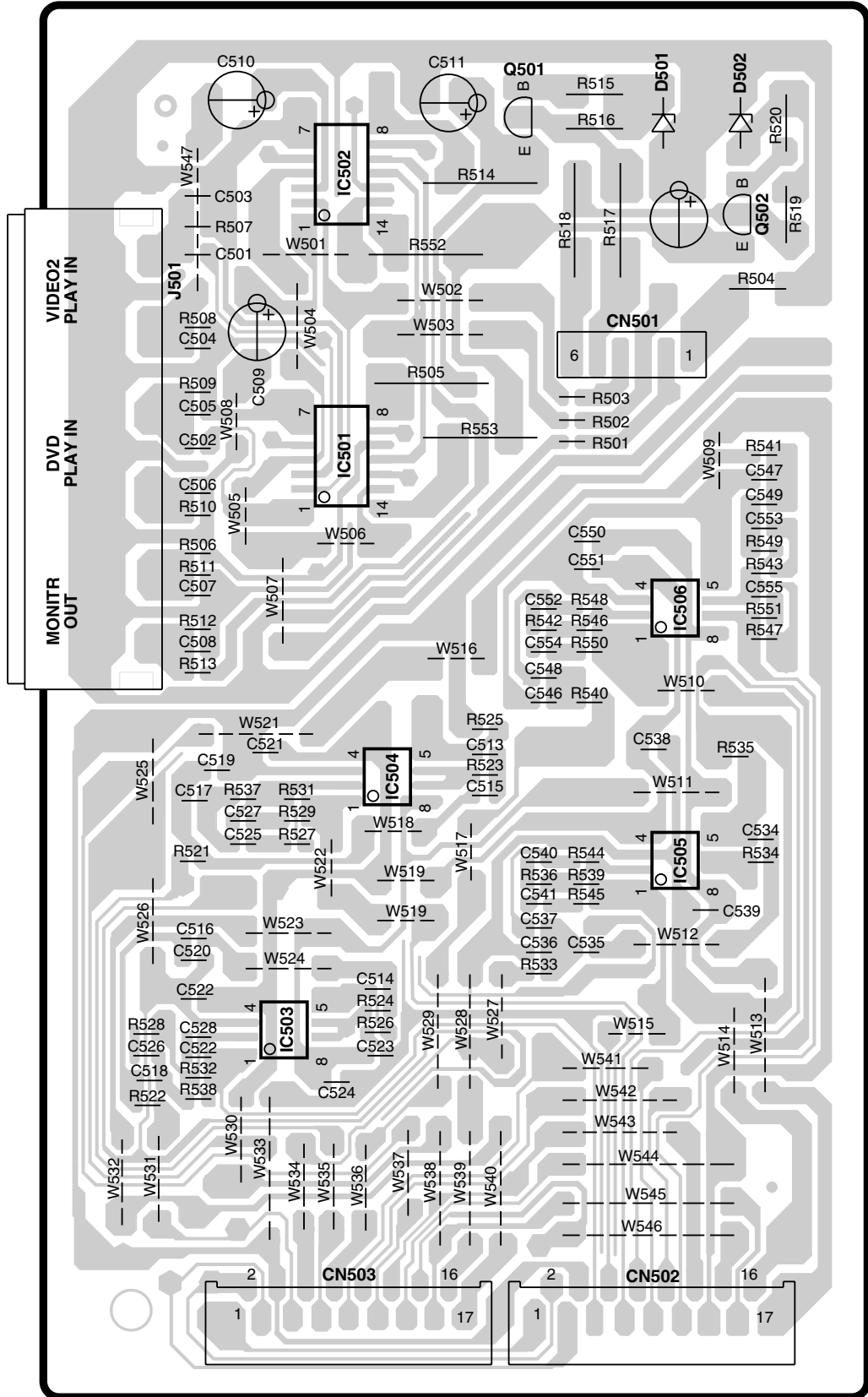
Refer to the schematic diagram for the value of resistors and capacitors.

PC BOARD (Component side view)



PC BOARD (Component side view)

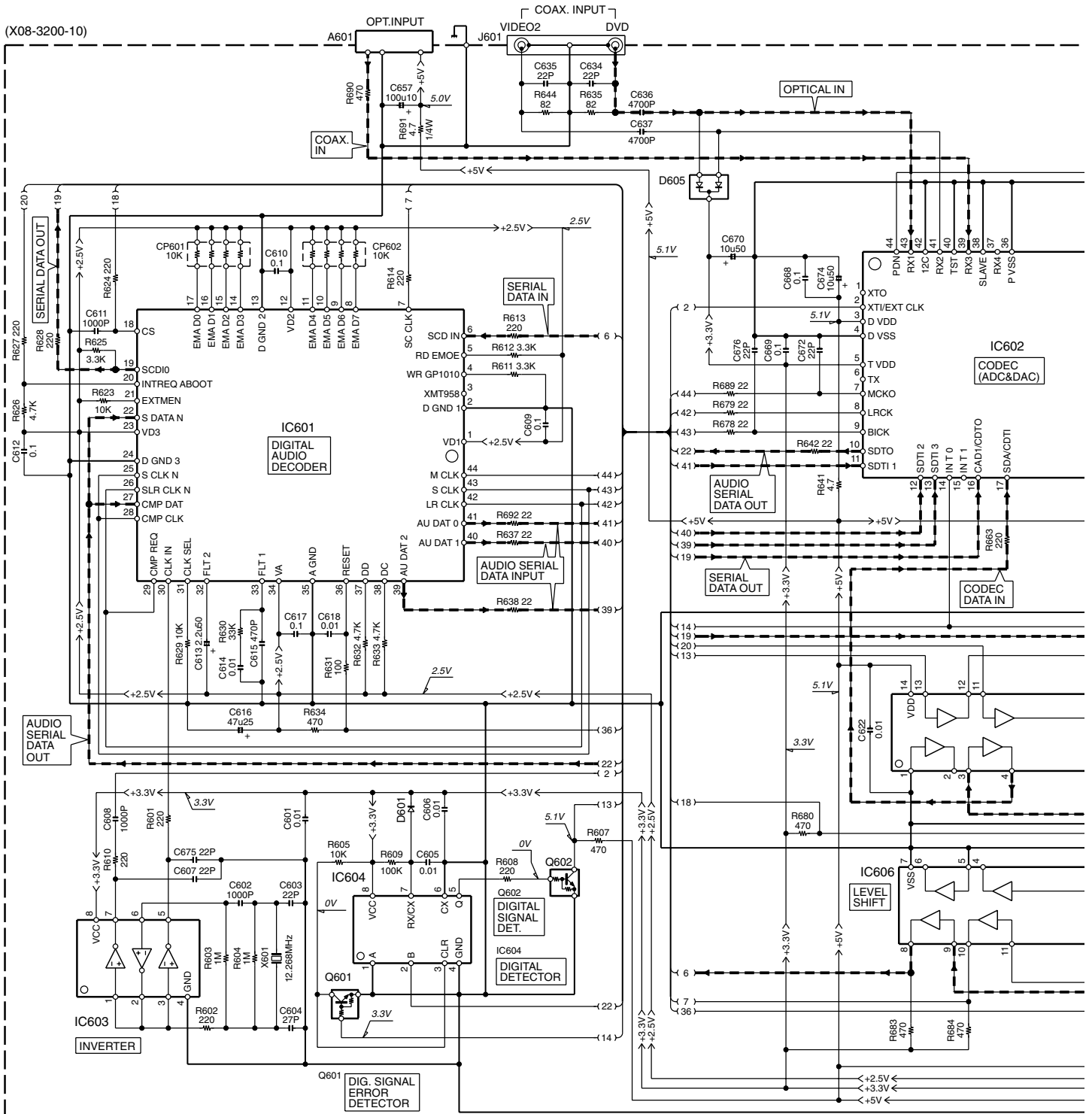
X25-6520-10 (J70-1614-11)



Refer to the schematic diagram for the value of resistors and capacitors.

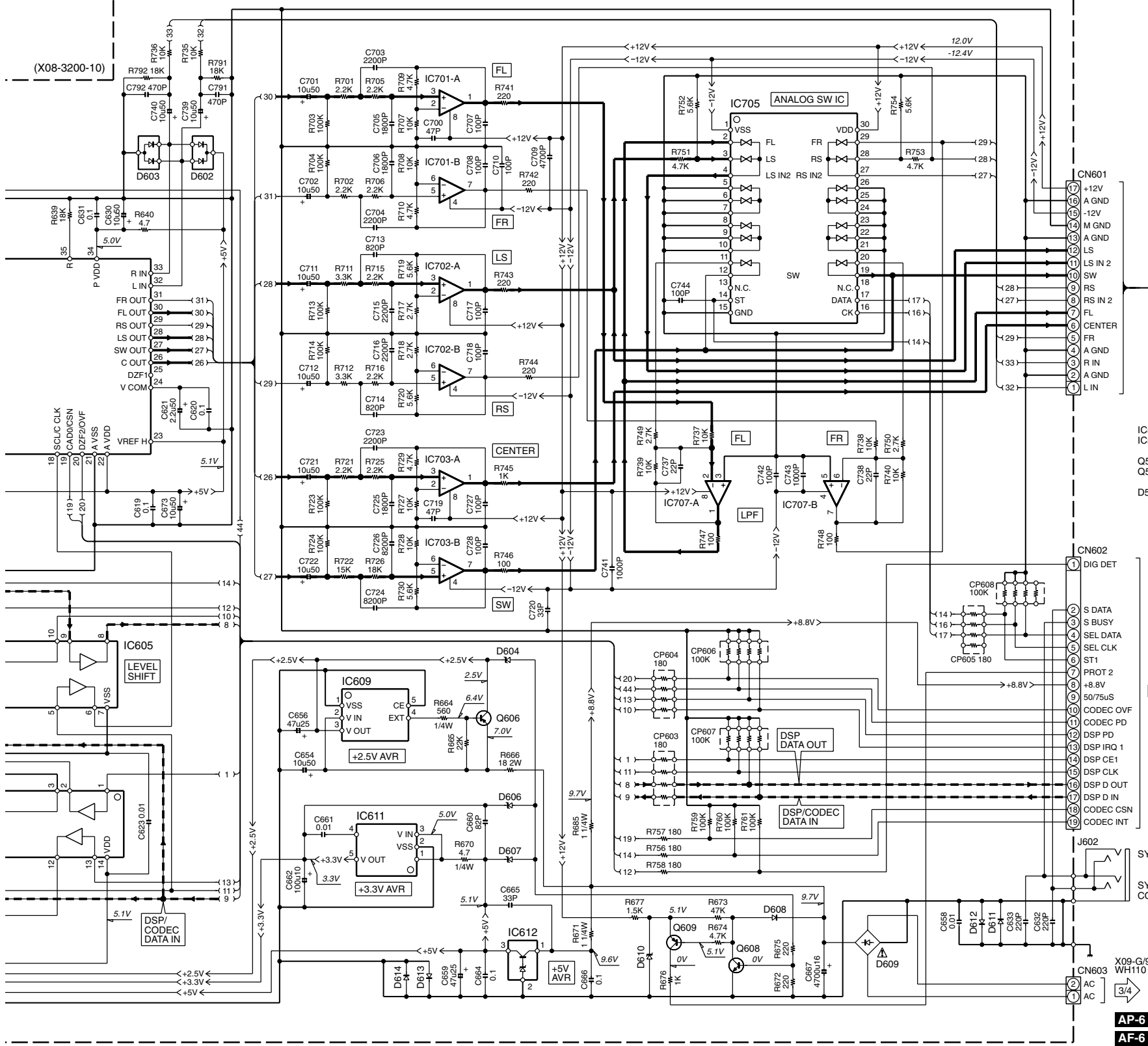
CAUTION: For continued safety, replace safety critical components only with manufacturer's recommended parts (refer to parts list). Δ indicates safety critical components. For continued protection against risk of fire, replace only with same type and rating fuse(s). To reduce the risk of electric shock, leakage-current or resistance measurements shall be carried out (exposed parts are acceptably insulated from the supply circuit) before the appliance is returned to the customer.

The DC voltage is an actual reading measured with a high impedance type voltmeter with no signal input. The measurement value may vary depending on the measuring instruments used or on the product.



IC601 : CS493264-CLR	IC609 : XC62EP2502MR	Q601,602 : DTC124EUA or UN5212	D601,608,611-614 : MA111	D604 : UDZ3.9B or HZU3.9(B2)
IC602 : AK4586	IC611 : BA033LBSG	Q606 : 2SB1375	D602,605 : 1SS301 or DAN202U or MA142WK	D606,607 : UDZ5.6B or HZU5.6(B2)
IC603 : TC7WU04FU	IC612 : BA05T	Q608 : 2SC4081(R,S) or 2SD1819A(Q,R)	D603 : 1SS300 or DAP202U or MA142WA	D609 : D2SBA20F03
IC604 : TC7WH123FU	IC705 : NJM4565MD	Q609 : 2SA1576A(R,S) or 2SB1218A(Q,R)		D610 : UDZ5.1B or HZU5.1(B2)
IC605 : TC74HC7007AF				
IC606 : TC74HC07AF				

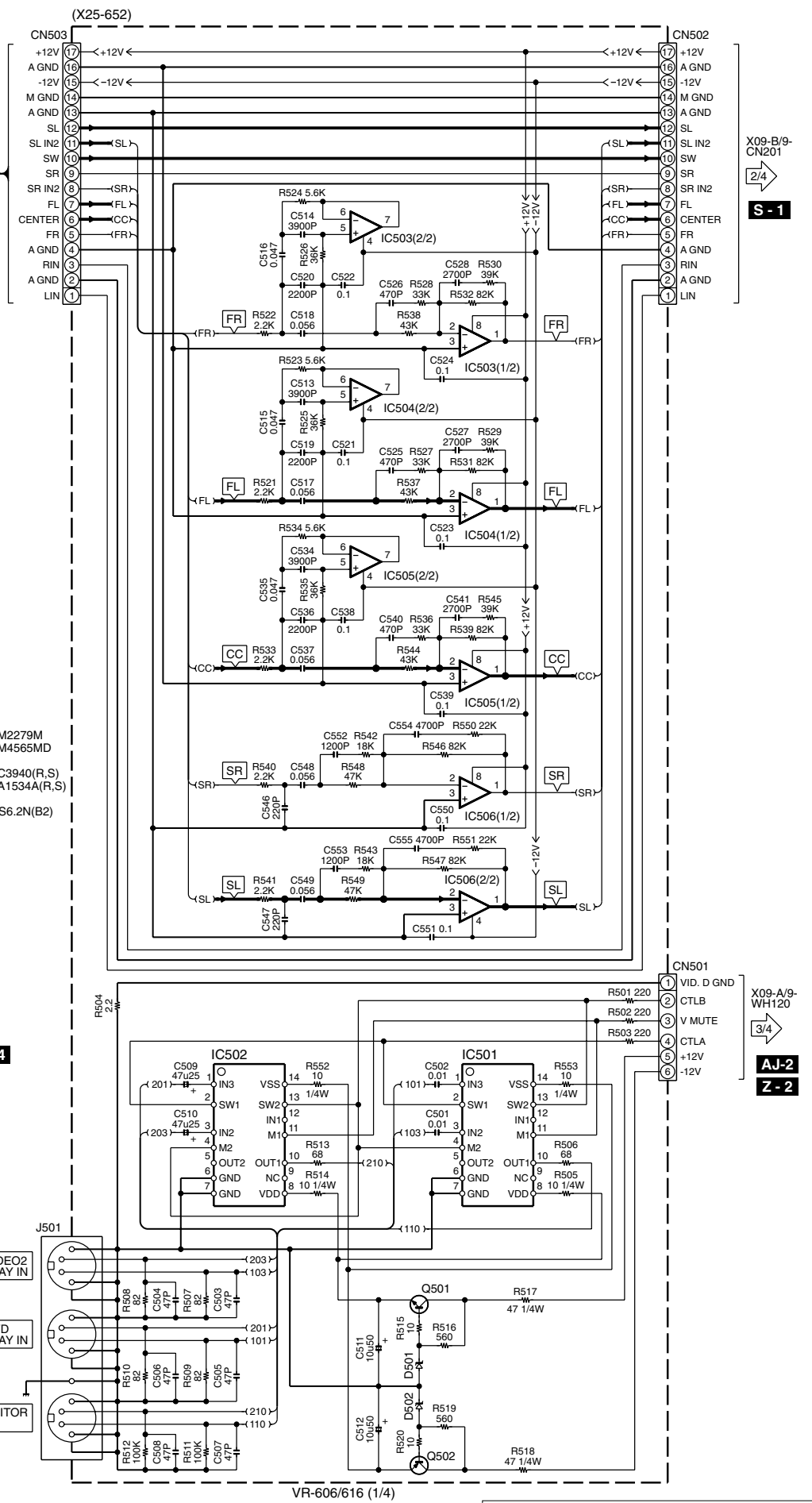
——— SIGNAL LINE
 ——— GND LINE
 —<B< +B LINE
 —<B< -B LINE



IC501,502 : NJM2279M
 IC503-506 : NJM4565MD
 Q501 : 2SC3940(R,S)
 Q502 : 2SA1534A(R,S)
 D501,502 : HZS6.2N(B2)

X14-A/2-
 CN803
 AT-4

X09-G/9-
 WH110
 AP-6
 AF-6

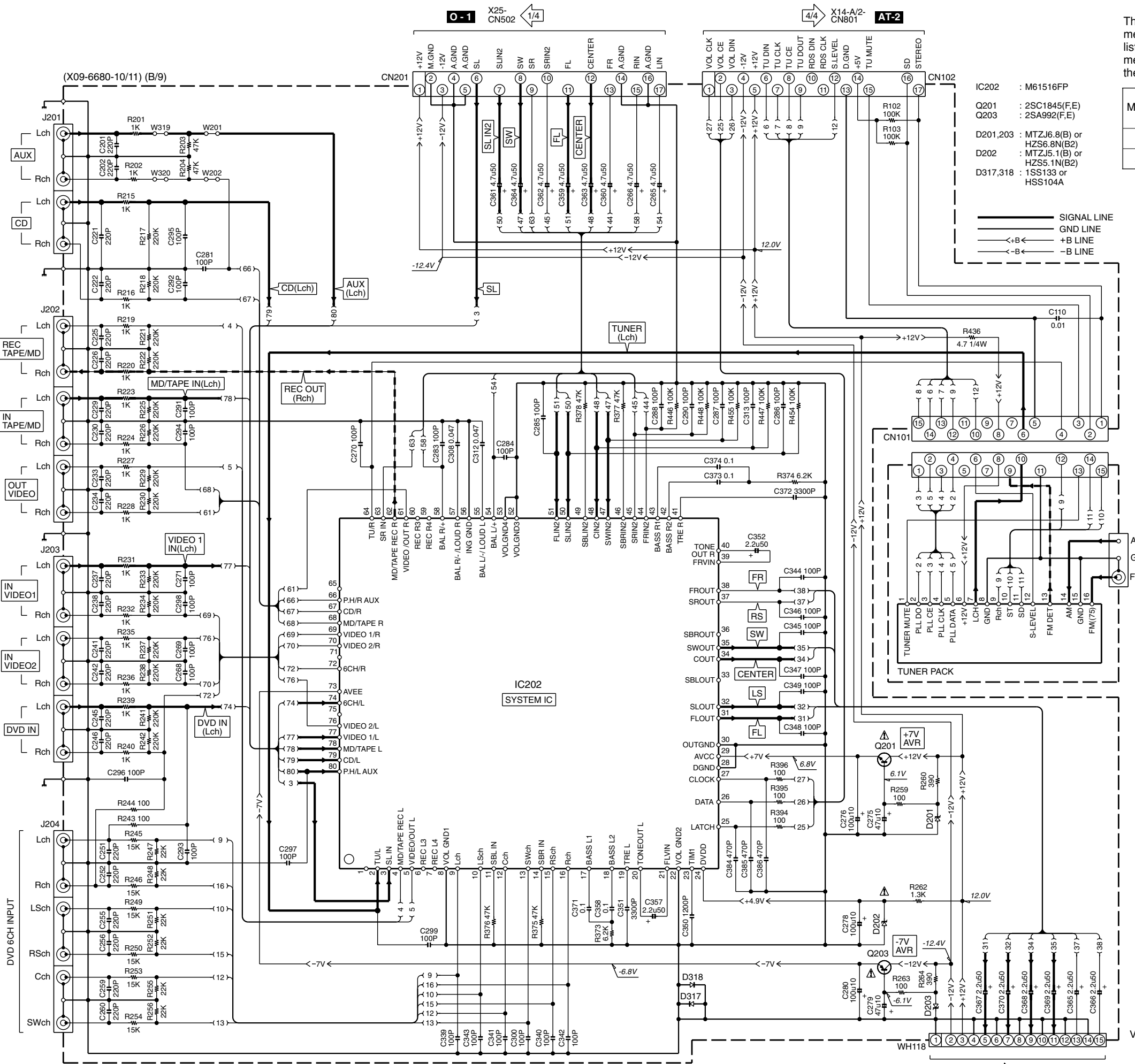


VR-606/616 (1/4)

VR-606/616

Y05-4530-11

KENWOOD



The DC voltage is an actual reading measured with a high impedance type voltmeter as the AM/FM signal generator is specified to the conditions as shown in the list below. The measurement value may vary depending on the measuring instruments used or on the product. The value shown in () is actual reading measured in the AM mode.

MODE	CARRIER	MODULATION		ANT INPUT
		FREQUENCY	DEVIATION	
FM	98MHz	1kHz	STEREO 67.5kHz 7.5kHz(Pilot)	60dB
AM	1000(999)kHz	400Hz	MONO 30% MOD	60dB

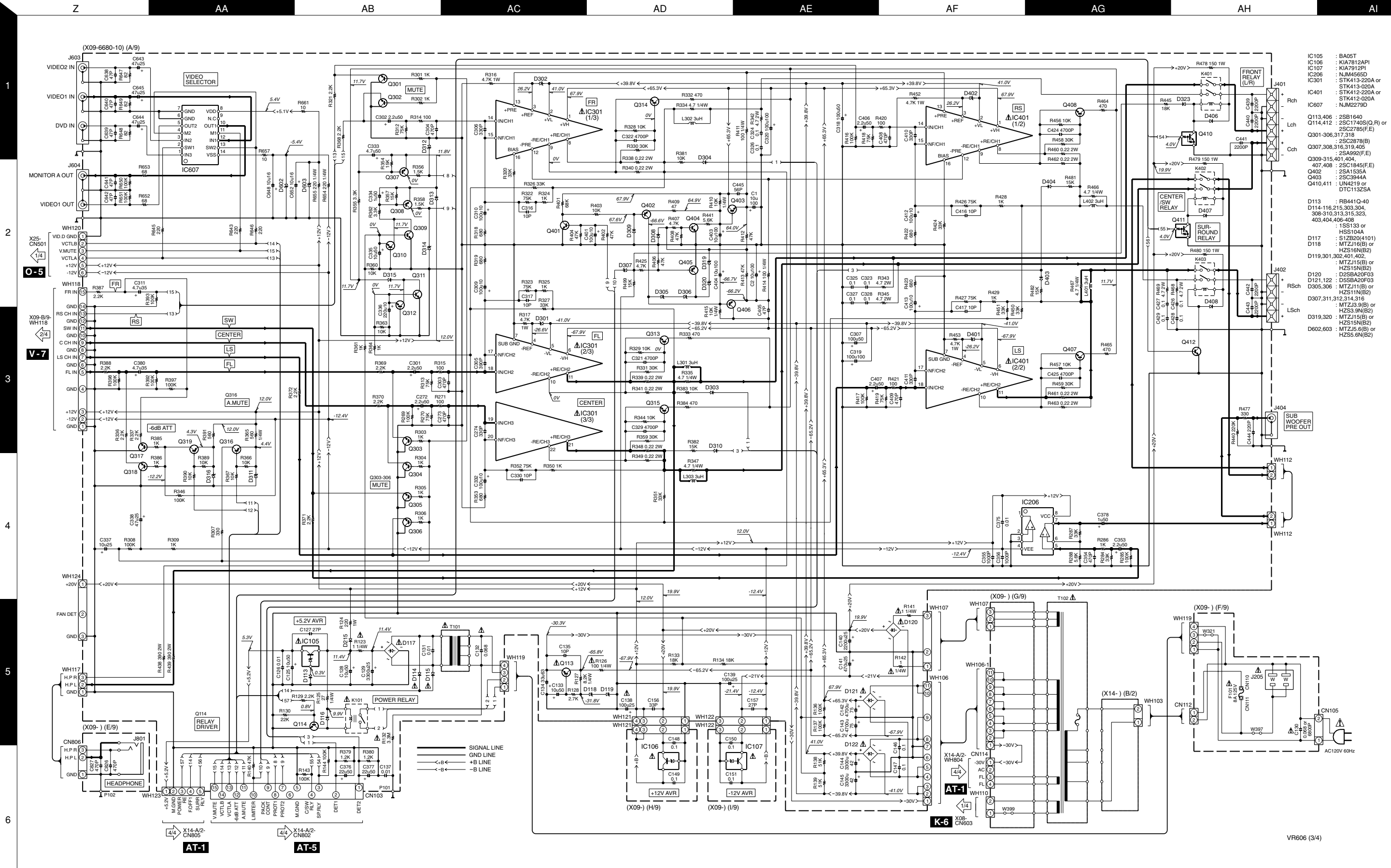
CAUTION: For continued safety, replace safety critical components only with manufacturer's recommended parts (refer to parts list). Δ indicates safety critical components. For continued protection against risk of fire, replace only with same type and rating fuse(s). To reduce the risk of electric shock, leakage-current or resistance measurements shall be carried out (exposed parts are acceptably insulated from the supply circuit) before the appliance is returned to the customer.

VR-606/616
KENWOOD

VR-606/616 (2/4)

Y05-4530-11

X09-A/9-WH118 Z-3 AJ-3



IC105	: BA05T
IC106	: KIA7812API
IC107	: KIA7912PI
IC206	: NJM4565D
IC301	: STK413-220A or STK413-020A
IC401	: STK412-220A or STK412-020A
IC607	: NJM2279D
Q113,406	: 2SB1640
Q114,412	: 2SC17405(Q,F) or 2SC2878(B)
Q301-306,317,318	: 2SC2785(F,E)
Q307,308,316,319,405	: 2SA992(F,E)
Q309-315,401,404,407,408	: 2SC1845(F,E)
Q402	: 2SA1535A
Q403	: 2SC3944A
Q410,411	: UN4219 or DTC113Z5A
D113	: RB441C-40
D114-116,215,303,304,308-310,313,315,323,403,404,406-408	: 1SS133 or HSS104A
D117	: S1ZB20(4101)
D118	: MTZ110(B) or HZS16N(B2)
D119,301,302,401,402	: MTZ115(B) or HZS15N(B2)
D120	: D5SBA20F03
D121,122	: D5SBA20F03
D305,306	: MTZ111(B) or HZS11N(B2)
D307,311,312,314,316	: MTZ1319(B) or HZS3.9N(B2)
D319,320	: MTZ115(B) or HZS15N(B2)
D602,603	: MTZ1515(B) or HZS5.6N(B2)

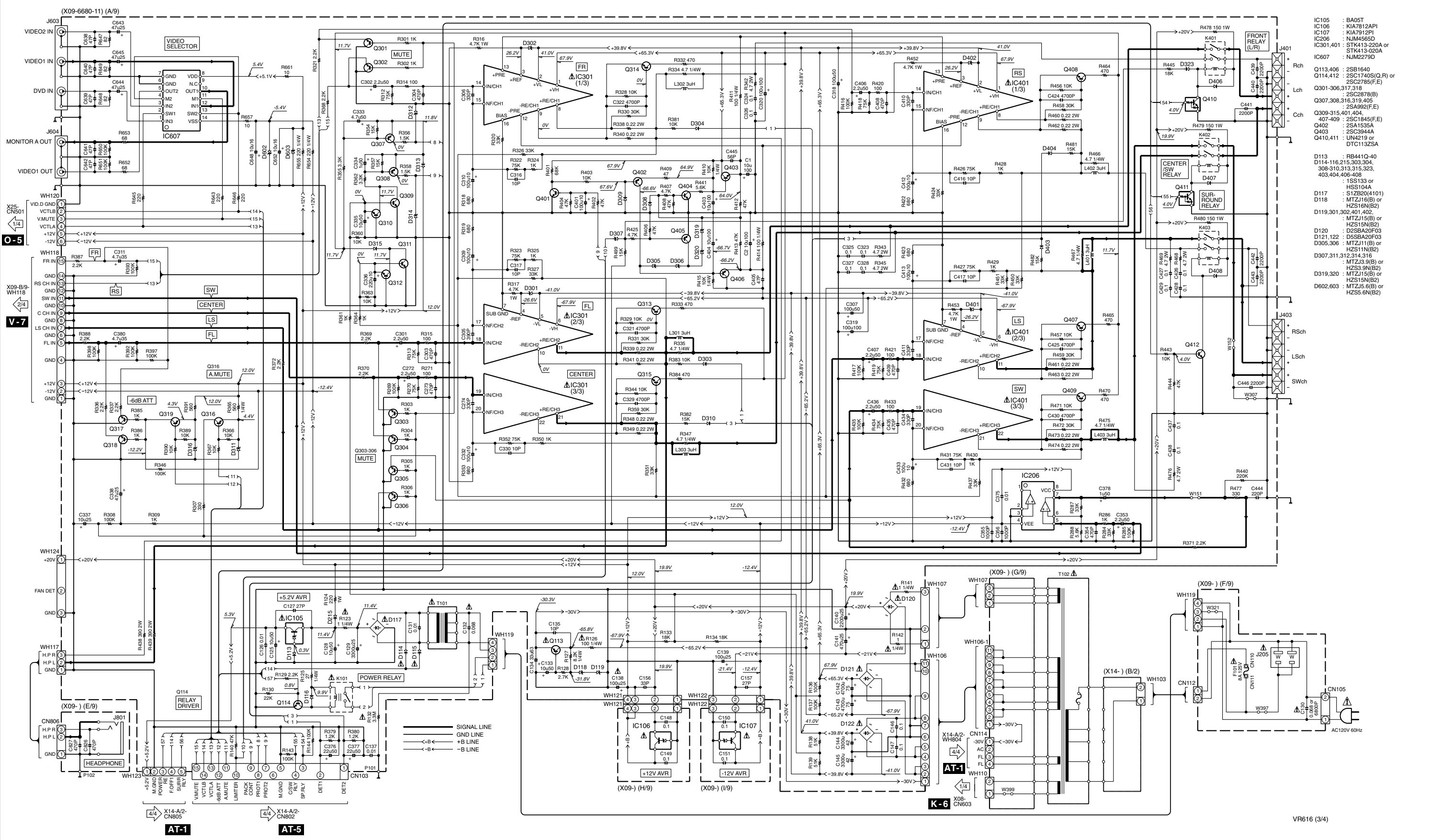
CAUTION: For continued safety, replace safety critical components only with manufacturer's recommended parts (refer to parts list). Δ indicates safety critical components. For continued protection against risk of fire, replace only with same type and rating fuse(s). To reduce the risk of electric shock, leakage-current or resistance measurements shall be carried out (exposed parts are acceptably insulated from the supply circuit) before the appliance is returned to the customer.

The DC voltage is an actual reading measured with a high impedance type voltmeter with no signal input. The measurement value may vary depending on the measuring instruments used or on the product.

VR-606
KENWOOD

Y05-4530-11

VR606 (3/4)

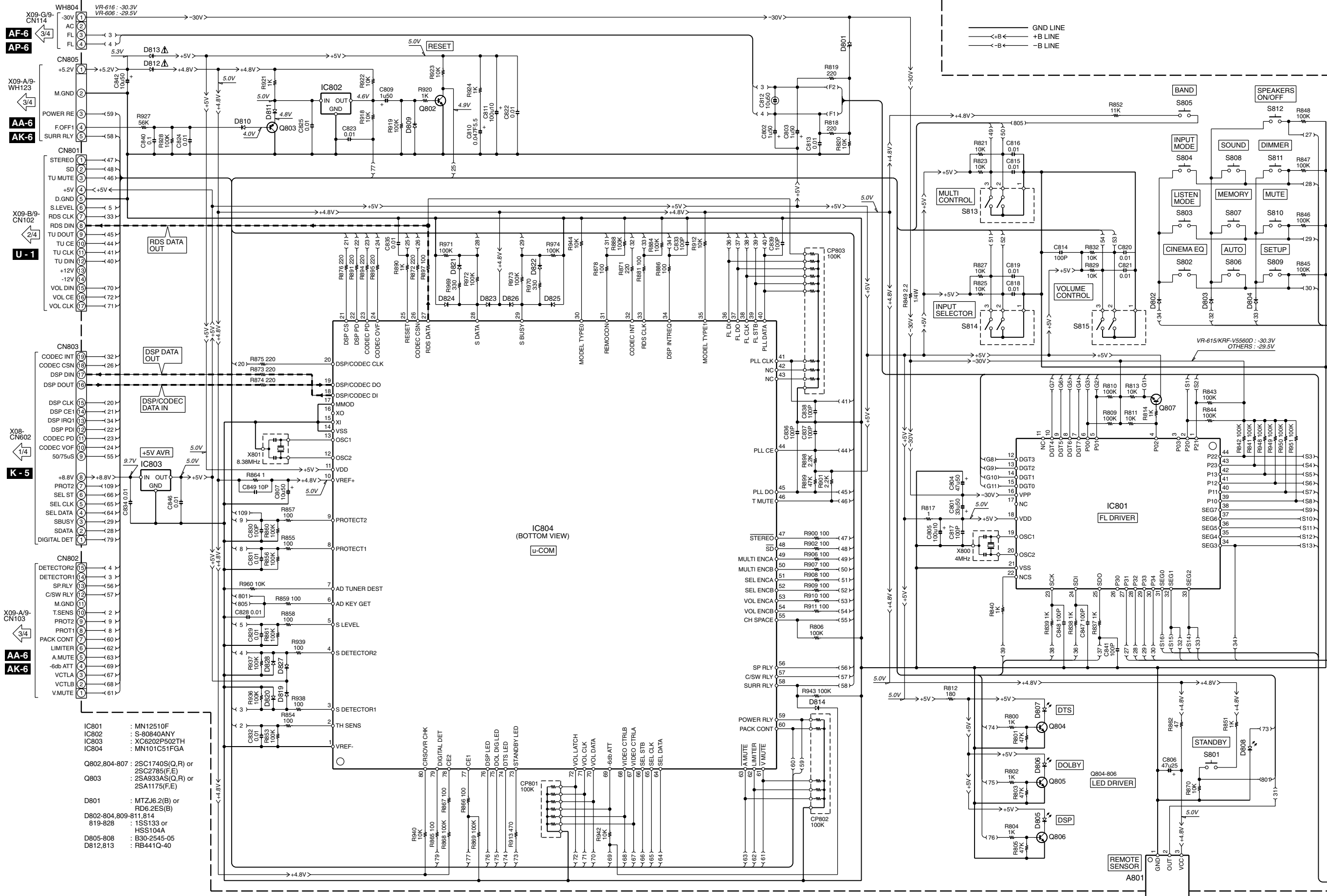


IC105	: BA05T
IC106	: KIA7812API
IC107	: KIA7812PI
IC206	: NUM4565D
IC301,401	: STK413-220A or STK413-020A
IC607	: NUM229D
Q113,406	: 2SB1640
Q114,412	: 2SC1740S(Q,R) or 2SC2878(F)
Q301-306,317,318	: 2SC2785(F)
Q307,308,316,319,405	: 2SA992(F)
Q309-315,401,404, 407-409	: 2SC1845(F)
Q402	: 2SA1535A
Q403	: 2SC3944A
Q410,411	: UN4219 or DTC113ZSA
D113	: RB441Q-40
D114-116,215,303,304, 308-310,313,315,323, 403,404,406-408	: 1S5193 or HZS5104A
D117	: S1ZB20(4101)
D118	: MTZ116(B) or HZS16N(B2)
D119,301,302,401,402	: MTZ115(B) or HZS15N(B2)
D120	: DSBA20F03
D121,122	: DSBA20F03
D305,306	: MTZ111(B) or HZS11N(B2)
D307,311,312,314,316	: MTZJ3.9(B) or HZS3.9N(B2)
D319,320	: MTZ115(B) or HZS15N(B2)
D602,603	: MTZJ5.6(B) or HZS5.6N(B2)

CAUTION: For continued safety, replace safety critical components only with manufacturer's recommended parts (refer to parts list). Δ indicates safety critical components. For continued protection against risk of fire, replace only with same type and rating fuse(s). To reduce the risk of electric shock, leakage-current or resistance measurements shall be carried out (exposed parts are acceptably insulated from the supply circuit) before the appliance is returned to the customer.

The DC voltage is an actual reading measured with a high impedance type voltmeter with no signal input. The measurement value may vary depending on the measuring instruments used or on the product.

VR-616
KENWOOD

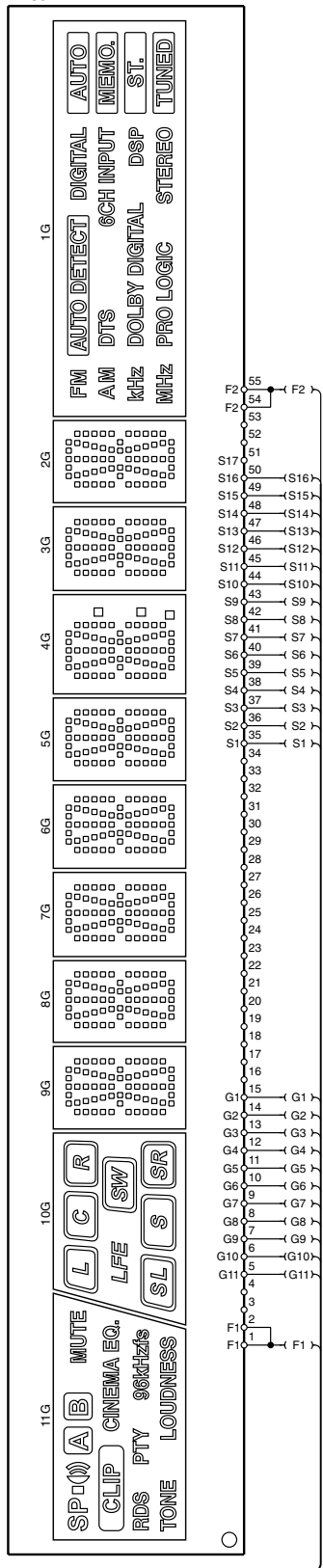


- IC801 : MN12510F
- IC802 : S-80840ANY
- IC803 : XC6202P502TH
- IC804 : MN101C51FGA
- Q802,804-807 : 2SC1740S(Q,R) or 2SC2785(F,E)
- Q803 : 2SA933A(S,Q,R) or 2SA1175(F,E)
- D801 : MTZJ6.2(B) or RD6.2ES(B)
- D802-804,809-811,814 : 1SS133 or HSS104A
- D805-808 : B30-2545-05
- D812,813 : RB441Q-40

- R840 : 10K
- R841 : 10K
- R842 : 10K
- R843 : 10K
- R844 : 10K
- R845 : 10K
- R846 : 10K
- R847 : 10K
- R848 : 10K
- R849 : 10K
- R850 : 10K
- R851 : 10K
- R852 : 11K
- R853 : 10K
- R854 : 10K
- R855 : 100
- R856 : 100K
- R857 : 100
- R858 : 100
- R859 : 100
- R860 : 100K
- R861 : 100K
- R862 : 100K
- R863 : 100K
- R864 : 10K
- R865 : 10K
- R866 : 100K
- R867 : 100K
- R868 : 100K
- R869 : 100K
- R870 : 330
- R871 : 100K
- R872 : 100K
- R873 : 100K
- R874 : 220
- R875 : 220
- R876 : 220
- R877 : 100K
- R878 : 100
- R879 : 100K
- R880 : 100K
- R881 : 100
- R882 : 220
- R883 : 100K
- R884 : 100K
- R885 : 100K
- R886 : 100K
- R887 : 100K
- R888 : 100K
- R889 : 100K
- R890 : 100K
- R891 : 100K
- R892 : 100K
- R893 : 100K
- R894 : 100K
- R895 : 220
- R896 : 100K
- R897 : 100K
- R898 : 100K
- R899 : 100K
- R900 : 1K
- R901 : 47K
- R902 : 1K
- R903 : 47K
- R904 : 1K
- R905 : 47K
- R906 : 47K
- R907 : 100
- R908 : 100
- R909 : 100
- R910 : 100
- R911 : 100
- R912 : 10K
- R913 : 470
- R914 : 10K
- R915 : 10K
- R916 : 10K
- R917 : 10K
- R918 : 10K
- R919 : 100K
- R920 : 1K
- R921 : 1K
- R922 : 1K
- R923 : 10K
- R924 : 4.9V
- R925 : 10K
- R926 : 10K
- R927 : 56K
- R928 : 10K
- R929 : 10K
- R930 : 10K
- R931 : 10K
- R932 : 10K
- R933 : 10K
- R934 : 10K
- R935 : 10K
- R936 : 10K
- R937 : 10K
- R938 : 100
- R939 : 100
- R940 : 10K
- R941 : 10K
- R942 : 10K
- R943 : 10K
- R944 : 10K
- R945 : 10K
- R946 : 10K
- R947 : 10K
- R948 : 10K
- R949 : 10K
- R950 : 10K
- R951 : 10K
- R952 : 10K
- R953 : 10K
- R954 : 10K
- R955 : 10K
- R956 : 10K
- R957 : 10K
- R958 : 10K
- R959 : 10K
- R960 : 10K
- R961 : 10K
- R962 : 10K
- R963 : 10K
- R964 : 10K
- R965 : 10K
- R966 : 10K
- R967 : 10K
- R968 : 10K
- R969 : 10K
- R970 : 330
- R971 : 100K
- R972 : 100K
- R973 : 100K
- R974 : 100K
- R975 : 100K
- R976 : 100K
- R977 : 100K
- R978 : 100K
- R979 : 100K
- R980 : 100K
- R981 : 100K
- R982 : 100K
- R983 : 100K
- R984 : 100K
- R985 : 100K
- R986 : 100K
- R987 : 100K
- R988 : 100K
- R989 : 100K
- R990 : 100K
- R991 : 100K
- R992 : 100K
- R993 : 100K
- R994 : 100K
- R995 : 100K
- R996 : 100K
- R997 : 100K
- R998 : 100K
- R999 : 100K
- R1000 : 100K

(X14-7520-10/11) (A/2)

ED801

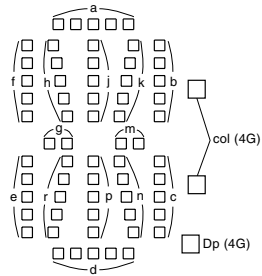


VR-606/616 (4/4)

CAUTION: For continued safety, replace safety critical components only with manufacturer's recommended parts (refer to parts list). Δ indicates safety critical components. For continued protection against risk of fire, replace only with same type and rating fuse(s). To reduce the risk of electric shock, leakage-current or resistance measurements shall be carried out (exposed parts are acceptably insulated from the supply circuit) before the appliance is returned to the customer.

The DC voltage is an actual reading measured with a high impedance type voltmeter with no signal input. The measurement value may vary depending on the measuring instruments used or on the product.

	11G	10G	9G	8G	7G	6G	5G	4G	3G	2G	1G
P1	SP(1)	L	a	a	a	a	a	a	a	a	FM
P2	A	C	j	j	j	j	j	j	j	j	AM
P3	B	R	h	h	h	h	h	h	h	h	MHz
P4	MUTE	SL	k	k	k	k	k	k	k	k	kHz
P5	CLIP	S	b	b	b	b	b	b	b	b	AUTO
P6	CINEMA EQ.	SR	f	f	f	f	f	f	f	f	MEMO.
P7	-	LFE	g	g	g	g	g	g	g	g	ST.
P8	-	SW	m	m	m	m	m	m	m	m	TUNED
P9	RDS	L	c	c	c	c	c	c	c	c	AUTO DETECT
P10	PTY	C	e	e	e	e	e	e	e	e	DTS
P11	6kHz	R	r	r	r	r	r	r	r	r	DOLBY DIGITAL
P12	10kHz	SL	n	n	n	n	n	n	n	n	PRO LOGIC
P13	LOUDNESS	IS	p	p	p	p	p	p	p	p	DIGITAL
P14	-	SR	d	d	d	d	d	d	d	d	6CH INPUT
P15	-	SW	-	-	-	-	col	-	-	-	DSP
P16	-	-	-	-	-	-	-	Dp	-	-	STEREO



VR-606/616
KENWOOD

* New Parts

Parts without **Parts No.** are not supplied.
Les articles non mentionnés dans le **Parts No.** ne sont pas fournis.
Teile ohne **Parts No.** werden nicht geliefert.

①

Ref. No	Add-ress	New Parts	Parts No.	Description	Desti-nation	Re-marks
VR-606(K1,P2), VR-616(K2,P3)						
601	1A		A01-3844-01	METALLIC CABINET		
602	1A		A09-1258-08	BATTERY COVER		
604	2B	*	A60-2186-11	PANEL		
605	1A	*	A70-1584-05	REMOTE CONTROLLER ASSY		
610	2B		B07-2606-03	ESCUTCHEON		
611	2A		B07-2610-01	ESCUTCHEON		
612	2A	*	B10-3863-12	FRONT GLASS	K1P2	
612	2A	*	B10-3866-02	FRONT GLASS	K2P3	
613	2A		B11-1547-03	COLOR FILTER		
614	2A		B12-0448-04	INDICATOR		
615	2A		B12-0465-04	INDICATOR		
616	2A		B43-0314-04	KENWOOD BADGE		
-	-		B46-0330-03	WARRANTY CARD		
-	-		B46-0347-03	WARRANTY CARD	K1K2	
-	-		B58-0964-13	CAUTION CARD (UL)	K1K2	
-	-		B58-0967-03	CAUTION CARD (PL)	P2P3	
-	-	*	B60-5228-00	INSTRUCTION MANUAL		
△ 621	1C		E30-2941-05	AC POWER CORD		
622	1B,1C		E35-3197-15	FLAT CABLE		
623	2B,1C		E35-3198-15	FLAT CABLE		
624	1B,2B		E35-3199-15	FLAT CABLE		
625	2B,2C		E35-3200-15	FLAT CABLE		
626	1B,1C	*	E35-3292-05	FLAT CABLE 17P,170		
627	1C	*	E35-3306-15	FLAT CABLE 17P,320		
-	-		G10-0485-04	NON-WOVEN FABRIC		
-	-		H10-7804-01	POLYSTYRENE FOAMED FIXTURE		
-	-		H10-7805-01	POLYSTYRENE FOAMED FIXTURE		
-	-	*	H10-7858-04	POLYSTYRENE FOAMED FIXTURE		
-	-	*	H12-3595-04	PACKING FIXTURE		
-	-		H21-1515-04	PROTECTION SHEET		
-	-		H25-0232-04	PROTECTION BAG (235X350X0.03)		
-	-		H25-0391-04	PROTECTION BAG		
-	-	*	H50-4567-04	ITEM CARTON CASE	K1P2	
-	-	*	H50-4568-04	ITEM CARTON CASE	K2P3	
635	2C		J02-1464-03	FOOT		
△ 642	1C		J42-0349-05	POWER CORD BUSHING		
-	-		J61-0307-05	WIRE BAND		
651	2A		K29-8103-04	KNOB		
652	2A		K29-8105-04	KNOB		
653	2A,2B		K29-8117-01	KNOB		
△ 655	1A		L07-2922-05	POWER TRANSFORMER		
660	1A		T90-0852-05	LOOP ANTENNA		
661	1A		T90-0877-05	LEAD WIRE ANTENNA		
665	1B		W02-2887-05	TUNER ASSY		
665	1B		W02-2888-05	TUNER ASSY		
665	1B		W02-2907-05	TUNER ASSY		
SURROUND (X08-3200-10)						
C601			CK73GB1H103K	CHIP C	0.010UF	K
C602			CK73GB1H102K	CHIP C	1000PF	K

L : Scandinavia K : USA P : Canada R : Mexico C : China I : Malaysia
Y : PX(Far East,Hawaii) T : England E : Europe G : Germany V : China(Shanghai)
Y : AAFES(Europe) X : Australia Q : Russia H : Korea M : Other Areas △ indicates safety critical components .

* New Parts

Parts without **Parts No.** are not supplied.
Les articles non mentionnés dans le **Parts No.** ne sont pas fournis.
Teile ohne **Parts No.** werden nicht geliefert.

②

Ref. No	Add-ress	New Parts	Parts No.	Description	Desti-nation	Re-marks
C603			CC73GCH1H220J	CHIP C	22PF	J
C604			CC73GCH1H270J	CHIP C	27PF	J
C605,606			CK73GB1H103K	CHIP C	0.010UF	K
C607			CC73GCH1H220J	CHIP C	22PF	J
C608			CK73GB1H102K	CHIP C	1000PF	K
C609,610			CK73EB1E104K	CHIP C	0.10UF	K
C611			CK73GB1H102K	CHIP C	1000PF	K
C612			CK73EB1E104K	CHIP C	0.10UF	K
C613			CE04LW1H2R2M	ELECTRO	2.2UF	50WV
C614			CK73GB1H103K	CHIP C	0.010UF	K
C615			CC73GCH1H471J	CHIP C	470PF	J
C616			CE04LW1E470M	ELECTRO	47UF	25WV
C617			CK73EB1E104K	CHIP C	0.10UF	K
C618			CK73GB1H103K	CHIP C	0.010UF	K
C619,620			CK73EB1E104K	CHIP C	0.10UF	K
C621			CE04LW1H2R2M	ELECTRO	2.2UF	50WV
C622,623			CK73GB1H103K	CHIP C	0.010UF	K
C630			CE04LW1H100M	ELECTRO	10UF	50WV
C631			CK73EB1E104K	CHIP C	0.10UF	K
C632,633			CC73GCH1H221J	CHIP C	220PF	J
C634,635			CC73GCH1H220J	CHIP C	22PF	J
C636,637			CK73GB1H472K	CHIP C	4700PF	K
C654			CE04LW1H100M	ELECTRO	10UF	50WV
C656			CE04LW1E470M	ELECTRO	47UF	25WV
C657			CE04LW1A101M	ELECTRO	100UF	10WV
C658			CK73GB1H103K	CHIP C	0.010UF	K
C659			CE04KW1A101M	ELECTRO	100UF	10WV
C660			CC73GCH1H820J	CHIP C	82PF	J
C661			CK73GB1H103K	CHIP C	0.010UF	K
C662			CE04LW1A101M	ELECTRO	100UF	10WV
C664			CK73EB1E104K	CHIP C	0.10UF	K
C665			CC73GCH1H330J	CHIP C	33PF	J
C666			CK73EB1E104K	CHIP C	0.10UF	K
C667			CE04KW1C472M	ELECTRO	4700UF	16WV
C668,669			CK73EB1E104K	CHIP C	0.10UF	K
C670			CE04LW1H100M	ELECTRO	10UF	50WV
C672			CC73GCH1H220J	CHIP C	22PF	J
C673,674			CE04LW1H100M	ELECTRO	10UF	50WV
C675,676			CC73GCH1H220J	CHIP C	22PF	J
C700			CC73GCH1H470J	CHIP C	47PF	J
C701,702			CE04LW1H100M	ELECTRO	10UF	50WV
C703,704			CK73GB1H222K	CHIP C	2200PF	K
C705,706			CK73GB1H182K	CHIP C	1800PF	K
C707,708			CC73GCH1H101J	CHIP C	100PF	J
C709			CK73GB1H472K	CHIP C	4700PF	K
C710			CC73GCH1H101J	CHIP C	100PF	J
C711,712			CE04LW1H100M	ELECTRO	10UF	50WV
C713,714			CK73GB1H821K	CHIP C	820PF	K
C715,716			CK73GB1H222K	CHIP C	2200PF	K
C717,718			CC73GCH1H101J	CHIP C	100PF	J
C719			CC73GCH1H470J	CHIP C	47PF	J
C720			CC73GCH1H330J	CHIP C	33PF	J
C721,722			CE04LW1H100M	ELECTRO	10UF	50WV
C723			CK73GB1H222K	CHIP C	2200PF	K
C724			CK73GB1H822K	CHIP C	8200PF	K

L : Scandinavia K : USA P : Canada R : Mexico C : China I : Malaysia
Y : PX(Far East,Hawaii) T : England E : Europe G : Germany V : China(Shanghai)
Y : AAFES(Europe) X : Australia Q : Russia H : Korea M : Other Areas △ indicates safety critical components .

PARTS LIST

VR-606/616

* New Parts
 Parts without **Parts No.** are not supplied.
 Les articles non mentionnés dans le **Parts No.** ne sont pas fournis.
 Teile ohne **Parts No.** werden nicht geliefert.

③

Ref. No	Add-ress	New Parts	Parts No.	Description	Desti-nation	Re-marks
C725			CK73GB1H182K	CHIP C 1800PF K		
C726			CK73GB1H822K	CHIP C 8200PF K		
C727,728			CC73GCH1H101J	CHIP C 100PF J		
C737,738			CC73GCH1H220J	CHIP C 22PF J		
C739,740			CE04LW1H100M	ELECTRO 10UF 50WV		
C741			CK73GB1H102K	CHIP C 1000PF K		
C742			CC73GCH1H101J	CHIP C 100PF J		
C743			CK73GB1H102K	CHIP C 1000PF K		
C744			CC73GCH1H101J	CHIP C 100PF J		
C791,792			CC73GCH1H471J	CHIP C 470PF J		
CN601			E40-8482-05	FLAT CABLE CONNECTOR		
CN602			E40-8483-05	FLAT CABLE CONNECTOR		
CN603			E40-3246-05	PIN ASSY		
J601			E63-1080-05	PIN JACK		
J602			E11-0293-05	MINIATURE PHONE JACK(2P)		
X601			L77-2296-05	CRYSTAL RESONATOR(12.288MHZ)		
CP601,602			R90-0714-05	MULTI-COMP 10K X4		
CP603-605			R90-0728-05	MULTI-COMP 180 X4		
CP606-608			R90-0720-05	MULTI-COMP 100K X4		
R601,602			RK73GB1J221J	CHIP R 220 J 1/16W		
R603,604			RK73GB1J105J	CHIP R 1.0M J 1/16W		
R605			RK73GB1J103J	CHIP R 10K J 1/16W		
R607			RK73GB1J471J	CHIP R 470 J 1/16W		
R608			RK73GB1J221J	CHIP R 220 J 1/16W		
R609			RK73GB1J104J	CHIP R 100K J 1/16W		
R610			RK73GB1J221J	CHIP R 220 J 1/16W		
R611,612			RK73GB1J332J	CHIP R 3.3K J 1/16W		
R613,614			RK73GB1J221J	CHIP R 220 J 1/16W		
R623			RK73GB1J103J	CHIP R 10K J 1/16W		
R624			RK73GB1J221J	CHIP R 220 J 1/16W		
R625			RK73GB1J332J	CHIP R 3.3K J 1/16W		
R626			RK73GB1J472J	CHIP R 4.7K J 1/16W		
R627,628			RK73GB1J221J	CHIP R 220 J 1/16W		
R629			RK73GB1J103J	CHIP R 10K J 1/16W		
R630			RK73GB1J333J	CHIP R 33K J 1/16W		
R631			RK73GB1J101J	CHIP R 100 J 1/16W		
R632,633			RK73GB1J472J	CHIP R 4.7K J 1/16W		
R634			RK73GB1J471J	CHIP R 470 J 1/16W		
R635			RK73GB1J820J	CHIP R 82 J 1/16W		
R637,638			RK73GB1J220J	CHIP R 22 J 1/16W		
R639			RK73GB1J183J	CHIP R 18K J 1/16W		
R640,641			RK73GB1J4R7J	CHIP R 4.7 J 1/16W		
R642			RK73GB1J220J	CHIP R 22 J 1/16W		
R644			RK73GB1J820J	CHIP R 82 J 1/16W		
R663			RK73GB1J221J	CHIP R 220 J 1/16W		
R664			R92-1993-05	METAL GLAZE 560 J 1/4W		
R665			RK73GB1J223J	CHIP R 22K J 1/16W		
R666			RS14KB3D180J	FL-PROOF RS 18 J 2W		
R670			RD14NB2E4R7J	RD 4.7 J 1/4W		
R671			RD14NB2E1R0J	RD 1 J 1/4W		
R672			RK73GB1J221J	CHIP R 220 J 1/16W		
R673			RK73GB1J473J	CHIP R 47K J 1/16W		
R674			RK73GB1J472J	CHIP R 4.7K J 1/16W		
R675			RK73GB1J221J	CHIP R 220 J 1/16W		

L : Scandinavia K : USA P : Canada R : Mexico C : China I : Malaysia
 Y : PX(Far East,Hawaii) T : England E : Europe G : Germany V : China(Shanghai)
 Y : AAFES(Europe) X : Australia Q : Russia H : Korea M : Other Areas Δ indicates safety critical components.

* New Parts
 Parts without **Parts No.** are not supplied.
 Les articles non mentionnés dans le **Parts No.** ne sont pas fournis.
 Teile ohne **Parts No.** werden nicht geliefert.

④

Ref. No	Add-ress	New Parts	Parts No.	Description	Desti-nation	Re-marks
R676			RK73GB1J102J	CHIP R 1.0K J 1/16W		
R677			RK73GB1J152J	CHIP R 1.5K J 1/16W		
R678,679			RK73GB1J220J	CHIP R 22 J 1/16W		
R680			RK73GB1J471J	CHIP R 470 J 1/16W		
R683,684			RK73GB1J471J	CHIP R 470 J 1/16W		
R685			R92-1945-05	METAL GLAZE 1 J 1/4W		
R689			RK73GB1J220J	CHIP R 22 J 1/16W		
R690			RK73GB1J471J	CHIP R 470 J 1/16W		
R691			RD14NB2E4R7J	RD 4.7 J 1/4W		
R692			RK73GB1J220J	CHIP R 22 J 1/16W		
R701,702			RK73GB1J222J	CHIP R 2.2K J 1/16W		
R703,704			RK73GB1J104J	CHIP R 100K J 1/16W		
R705,706			RK73GB1J222J	CHIP R 2.2K J 1/16W		
R707,708			RK73GB1J103J	CHIP R 10K J 1/16W		
R709,710			RK73GB1J472J	CHIP R 4.7K J 1/16W		
R711,712			RK73GB1J332J	CHIP R 3.3K J 1/16W		
R713,714			RK73GB1J104J	CHIP R 100K J 1/16W		
R715,716			RK73GB1J222J	CHIP R 2.2K J 1/16W		
R717,718			RK73GB1J272J	CHIP R 2.7K J 1/16W		
R719,720			RK73GB1J562J	CHIP R 5.6K J 1/16W		
R721			RK73GB1J222J	CHIP R 2.2K J 1/16W		
R722			RK73GB1J153J	CHIP R 15K J 1/16W		
R723,724			RK73GB1J104J	CHIP R 100K J 1/16W		
R725			RK73GB1J222J	CHIP R 2.2K J 1/16W		
R726			RK73GB1J183J	CHIP R 18K J 1/16W		
R727,728			RK73GB1J103J	CHIP R 10K J 1/16W		
R729			RK73GB1J472J	CHIP R 4.7K J 1/16W		
R730			RK73GB1J562J	CHIP R 5.6K J 1/16W		
R735-740			RK73GB1J103J	CHIP R 10K J 1/16W		
R741-744			RK73GB1J221J	CHIP R 220 J 1/16W		
R745			RK73GB1J102J	CHIP R 1.0K J 1/16W		
R746-748			RK73GB1J101J	CHIP R 100 J 1/16W		
R749,750			RK73GB1J272J	CHIP R 2.7K J 1/16W		
R751			RK73GB1J472J	CHIP R 4.7K J 1/16W		
R752			RK73GB1J562J	CHIP R 5.6K J 1/16W		
R753			RK73GB1J472J	CHIP R 4.7K J 1/16W		
R754			RK73GB1J562J	CHIP R 5.6K J 1/16W		
R756-758			RK73GB1J181J	CHIP R 180 J 1/16W		
R759-761			RK73GB1J104J	CHIP R 100K J 1/16W		
R791,792			RK73GB1J183J	CHIP R 18K J 1/16W		
D601			MA111	DIODE		
D602			DAN202U	DIODE		
D602			MA142WK	DIODE		
D602			1SS301	DIODE		
D603			DAP202U	DIODE		
D603			MA142WA	DIODE		
D603			1SS300	DIODE		
D604			HZU3.9(B2)	ZENER DIODE		
D604			UDZ3.9B	ZENER DIODE		
D605			DAN202U	DIODE		
D605			MA142WK	DIODE		
D605			1SS301	DIODE		
D606,607			HZU5.6(B2)	ZENER DIODE		
D606,607			UDZ5.6B	ZENER DIODE		
D608			MA111	DIODE		

L : Scandinavia K : USA P : Canada R : Mexico C : China I : Malaysia
 Y : PX(Far East,Hawaii) T : England E : Europe G : Germany V : China(Shanghai)
 Y : AAFES(Europe) X : Australia Q : Russia H : Korea M : Other Areas Δ indicates safety critical components.

* New Parts

Parts without **Parts No.** are not supplied.
Les articles non mentionnés dans le **Parts No.** ne sont pas fournis.
Teile ohne **Parts No.** werden nicht geliefert.

5

Ref. No	Address	New Parts	Parts No.	Description	Destination	Remarks
Δ D609			D2SBA20F03	DIODE		
D610			HZU5.1(B2)	ZENER DIODE		
D610			UDZ5.1B	ZENER DIODE		
D611-614			MA111	DIODE		
IC601			CS493264-CLR	MOS-IC		
IC602			AK4586	MOS-IC		
IC603			TC7WU04FU	MOS-IC		
IC604			TC7WH123FU	MOS-IC		
IC605			TC74HCT7007AF	MOS-IC		
IC606			TC74HC07AF	MOS-IC		
IC609			XC62EP2502MR	ANALOGUE IC		
IC611			BA033LBSG	ANALOGUE IC		
IC612			BA05T	ANALOGUE IC		
IC701-703			NJM4565MD	IC(OP AMP X2)		
IC705			NJU7311AM	MOS-IC		
IC707			NJM4565MD	IC(OP AMP X2)		
Q601,602			DTC124EUA	DIGITAL TRANSISTOR		
Q601,602			UN5212	DIGITAL TRANSISTOR		
Q606			2SB1375	TRANSISTOR		
Q608			2SC4081(R,S)	TRANSISTOR		
Q608			2SD1819A(Q,R)	TRANSISTOR		
Q609			2SA1576A(R,S)	TRANSISTOR		
Q609			2SB1218A(Q,R)	TRANSISTOR		
A601			W02-2802-05	OPTIC RECEIVING MODULE		
AUDIO (X09-6680-10)						
C1_2			CE04LW2A100M	ELECTRO	10UF	100WV
C110			CK45FF1H103Z	CERAMIC	0.010UF	Z
C125			CE04KW1H100M	ELECTRO	10UF	50WV
C126			CK45FF1H103Z	CERAMIC	0.010UF	Z
C127			CC45FSL1H270J	CERAMIC	27PF	J
C128			CE04KW1H100M	ELECTRO	10UF	50WV
C129			CE04KW1E332M	ELECTRO	3300UF	25WV
C130			C91-1635-05	FILM	0.068UF	275WV
C131			CK45FF1H103Z	CERAMIC	0.010UF	Z
Δ C132			C91-1635-05	FILM	0.068UF	275WV
C133			CE04KW1H100M	ELECTRO	10UF	50WV
C134			CE04KW1J330M	ELECTRO	33UF	63WV
C135			CC45FSL1H100D	CERAMIC	10PF	D
C137			CK45FF1H103Z	CERAMIC	0.010UF	Z
Δ C138,139			CE04KW1E101M	ELECTRO	100UF	25WV
C140			CE04KW1E222M	ELECTRO	2200UF	25WV
C141			CE04KW1E471M	ELECTRO	470UF	25WV
C142,143			C90-5747-05	ELECTRO	4700UF	75WV
C144,145			C90-5746-05	ELECTRO	3300UF	42WV
C146,147			C91-1422-05	MP	0.10UF	250WV
C148-151			C91-1573-05	MP-C	0.10UF	J
C152,153			C91-1422-05	MP	0.10UF	250WV
C154,155			CQ93FMG1H104J	MYLAR	0.10UF	J
C156			CC45FSL1H330J	CERAMIC	33PF	J
C157			CC45FSL1H270J	CERAMIC	27PF	J
C201,202			CC45FSL1H221J	CERAMIC	220PF	J
C221,222			CC45FSL1H221J	CERAMIC	220PF	J
C225,226			CC45FSL1H221J	CERAMIC	220PF	J
C229,230			CC45FSL1H221J	CERAMIC	220PF	J

L : Scandinavia K : USA P : Canada R : Mexico C : China I : Malaysia
Y : PX(Far East,Hawaii) T : England E : Europe G : Germany V : China(Shanghai)
Y : AAFES(Europe) X : Australia Q : Russia H : Korea M : Other Areas Δ indicates safety critical components.

* New Parts

Parts without **Parts No.** are not supplied.
Les articles non mentionnés dans le **Parts No.** ne sont pas fournis.
Teile ohne **Parts No.** werden nicht geliefert.

6

Ref. No	Address	New Parts	Parts No.	Description	Destination	Remarks
C233,234			CC45FSL1H221J	CERAMIC	220PF	J
C237,238			CC45FSL1H221J	CERAMIC	220PF	J
C241,242			CC45FSL1H221J	CERAMIC	220PF	J
C251,252			CC45FSL1H221J	CERAMIC	220PF	J
C255,256			CC45FSL1H221J	CERAMIC	220PF	J
C259,260			CC45FSL1H221J	CERAMIC	220PF	J
C265,266			CE04RW1H4R7M	ELECTRO	4.7UF	50WV
C268-271			CC45FSL1H101J	CERAMIC	100PF	J
C272			CE04KW1H2R2M	ELECTRO	2.2UF	50WV
C273			CK45FB1H471K	CERAMIC	470PF	K
C274			CC45FSL1H331J	CERAMIC	330PF	J
C275			CE04KW1A470M	ELECTRO	47UF	10WV
C276			CE04KW1A101M	ELECTRO	100UF	10WV
C278			CE04KW1A101M	ELECTRO	100UF	10WV
C279			CE04KW1A470M	ELECTRO	47UF	10WV
C280			CE04KW1A101M	ELECTRO	100UF	10WV
C281			CC45FSL1H101J	CERAMIC	100PF	J
C283-288			CC45FSL1H101J	CERAMIC	100PF	J
C290-300			CC45FSL1H101J	CERAMIC	100PF	J
C301,302			CE04KW1H2R2M	ELECTRO	2.2UF	50WV
C303,304			CK45FB1H471K	CERAMIC	470PF	K
C305			CK45FB1H391K	CERAMIC	390PF	K
C306			CC45FSL1H331J	CERAMIC	330PF	J
C307			CE04KW1H101M	ELECTRO	100UF	50WV
C308			CQ93FMG1H473J	MYLAR	0.047UF	J
C309,310			CE04KW1A101M	ELECTRO	100UF	10WV
C311			CE04RW1V4R7M	ELECTRO	4.7UF	35WV
C312			CQ93FMG1H473J	MYLAR	0.047UF	J
C313			CC45FSL1H101J	CERAMIC	100PF	J
C316,317			CC45FSL1H100D	CERAMIC	10PF	D
C318			CE04KW1H101M	ELECTRO	100UF	50WV
C319,320			CE04KW2A101M	ELECTRO	100UF	100WV
C321,322			CK45FF1H472Z	CERAMIC	4700PF	Z
C323-328			C91-1573-05	MP-C	0.10UF	J
C329			CK45FF1H472Z	CERAMIC	4700PF	Z
C330			CC45FSL1H100D	CERAMIC	10PF	D
C332			CE04KW1A101M	ELECTRO	100UF	10WV
C333			CE04KW1H4R7M	ELECTRO	4.7UF	50WV
C334			CE04KW1H010M	ELECTRO	1.0UF	50WV
C335			CE04LW1H100M	ELECTRO	10UF	50WV
C336			CE04KW1A221M	ELECTRO	220UF	10WV
C337			CE04HW1E100M	NP-ELEC	10UF	25WV
C338			CE04KW1E470M	ELECTRO	47UF	25WV
C339-349			CC45FSL1H101J	CERAMIC	100PF	J
C350			CQ93FMG1H122J	MYLAR	1200PF	J
C351			CQ93FMG1H332J	MYLAR	3300PF	J
C352,353			CE04KW1H2R2M	ELECTRO	2.2UF	50WV
C354			CK45FB1H471K	CERAMIC	470PF	K
C355,356			CK45FB1H102K	CERAMIC	1000PF	K
C357			CE04KW1H2R2M	ELECTRO	2.2UF	50WV
C358			CQ93FMG1H104J	MYLAR	0.10UF	J
C359-364			CE04KW1H4R7M	ELECTRO	4.7UF	50WV
C365-370			CE04KW1H2R2M	ELECTRO	2.2UF	50WV
C371			CQ93FMG1H104J	MYLAR	0.10UF	J
C372			CQ93FMG1H332J	MYLAR	3300PF	J

L : Scandinavia K : USA P : Canada R : Mexico C : China I : Malaysia
Y : PX(Far East,Hawaii) T : England E : Europe G : Germany V : China(Shanghai)
Y : AAFES(Europe) X : Australia Q : Russia H : Korea M : Other Areas Δ indicates safety critical components.

PARTS LIST

VR-606/616

* New Parts

Parts without **Parts No.** are not supplied.Les articles non mentionnés dans le **Parts No.** ne sont pas fournis.Teile ohne **Parts No.** werden nicht geliefert.

7

Ref. No	Add-ress	New Parts	Parts No.	Description	Desti-nation	Re-marks
C373,374 C375 C376,377 C378 C379			CQ93FMG1H104J CK45FF1H103Z CE04LW1H220M CE04KW1H010M CK45FB1H471K	MYLAR 0.10UF CERAMIC 0.010UF ELECTRO 22UF ELECTRO 1.0UF CERAMIC 470PF	J Z 50WV 50WV K	
C380 C384-386 C401 C403,404 C405			CE04RW1V4R7M CK45FB1H471K CE04KW1A101M CE04KW2A100M CC45FSL1H470J	ELECTRO 4.7UF CERAMIC 470PF ELECTRO 100UF ELECTRO 10UF CERAMIC 47PF	35WV K 10WV 100WV J	
C406,407 C408,409 C410,411 C412,413 C416,417			CE04KW1H2R2M CK45FB1H471K CC45FSL1H331J CE04KW1A101M CC45FSL1H100D	ELECTRO 2.2UF CERAMIC 470PF CERAMIC 330PF ELECTRO 100UF CERAMIC 10PF	50WV K J 10WV D	
C424,425 C426-429 C430 C431 C433			CK45FF1H472Z C91-1573-05 CK45FF1H472Z CC45FSL1H100D CE04KW1A101M	CERAMIC 4700PF MP-C 0.10UF CERAMIC 4700PF CERAMIC 10PF ELECTRO 100UF	Z J Z D 10WV	K2P3 K2P3 K2P3
C434 C435 C436 C437,438 C439-443			CC45FSL1H331J CK45FB1H471K CE04KW1H2R2M C91-1573-05 CK45FB1H222K	CERAMIC 330PF CERAMIC 470PF ELECTRO 2.2UF MP-C 0.10UF CERAMIC 2200PF	J K 50WV J K	K2P3 K2P3 K2P3 K2P3
C444 C445 C446 C638-642 C643-645			CC45FSL1H221J CC45FSL1H560J CK45FB1H222K CC45FSL1H470J CE04KW1E470M	CERAMIC 220PF CERAMIC 56PF CERAMIC 2200PF CERAMIC 47PF ELECTRO 47UF	J J K J 25WV	K1P2 K2P3
C648 C652 C826,827			CE04RW1C100M CE04RW1C100M CK45FB1H471K	ELECTRO 10UF ELECTRO 10UF CERAMIC 470PF	16WV 16WV K	
CN101 CN102 CN103 CN105			E40-8481-05 E40-8502-05 E40-8481-05 E40-4245-05	FLAT CABLE CONNECTOR FLAT CABLE CONNECTOR FLAT CABLE CONNECTOR PIN ASSY		
CN112 CN114 CN201 CN806 J201			E40-4245-05 E40-3262-05 E40-8482-05 E40-3247-05 E63-1256-05	PIN ASSY PIN ASSY FLAT CABLE CONNECTOR PIN ASSY PIN JACK		
J202 J203 J204 J205 J401		*	E63-1258-05 E63-1256-05 E63-1260-05 E03-0148-05 E70-0156-05	PIN JACK PIN JACK PIN JACK AC OUTLET LOCK TERMINAL BOARD		
J402 J403 J404 J603 J604			E70-0155-05 E70-0154-05 E63-1146-05 E63-1254-05 E63-1255-05	LOCK TERMINAL BOARD LOCK TERMINAL BOARD PIN JACK PIN JACK PIN JACK		K1P2 K2P3 K1P2
J801			E11-0271-05	PHONE JACK (METAL SLEEVE)		

L : Scandinavia K : USA P : Canada R : Mexico C : China I : Malaysia
 Y : PX(Far East,Hawaii) T : England E : Europe G : Germany V : China(Shanghai)
 Y : AAFES(Europe) X : Australia Q : Russia H : Korea M : Other Areas Δ indicates safety critical components .

* New Parts

Parts without **Parts No.** are not supplied.Les articles non mentionnés dans le **Parts No.** ne sont pas fournis.Teile ohne **Parts No.** werden nicht geliefert.

8

Ref. No	Add-ress	New Parts	Parts No.	Description	Desti-nation	Re-marks
F101			F50-0077-05	FUSE(5X20)		
CN110,111 E11 ,12 E14			J13-0075-05 J11-0809-05 J11-0809-05	FUSE CLIP WIRE CLAMPER WIRE CLAMPER		
L301-303 L401,402 L403			L39-1373-05 L39-1373-05 L39-1373-05	PHASE COMPENSATION COIL PHASE COMPENSATION COIL PHASE COMPENSATION COIL	K2P3	
T101			L07-2758-05	POWER TRANSFORMER		
T101			L07-2761-05	POWER TRANSFORMER		
R123 R124 R125 R126 R127			RD14NB2E1R0J RS14KB3A221J RD14NB2E270J RD14NB2E101J RD14NB2E822J	RD 1 FL-PROOF RS 220 RD 27 RD 100 RD 8.2K	J J J J J	1/4W 1W 1/4W 1/4W 1/4W
R132 R141,142 R316,317 R334,335 R338-341			R92-1844-05 RD14NB2E1R0J RS14KB3A472J RD14NB2E4R7J RS14KB3DR22J	CARBON 3.3M RD 1 FL-PROOF RS 4.7K RD 4.7 FL-PROOF RS 0.22	J J J J J	1/2W 1/4W 1W 1/4W 2W
R342,343 R345 R347 R348,349 R365			RS14KB3D4R7J RS14KB3D4R7J RD14NB2E4R7J RS14KB3DR22J RD14NB2E561J	FL-PROOF RS 4.7 FL-PROOF RS 4.7 RD 4.7 FL-PROOF RS 0.22 RD 560	J J J J J	2W 2W 1/4W 2W 1/4W
R410 R411 R414 R415 R436			RD14NB2E103J RD14NB2E101J RD14NB2E101J RD14NB2E103J RD14NB2E4R7J	RD 10K RD 100 RD 100 RD 10K RD 4.7	J J J J J	1/4W 1/4W 1/4W 1/4W 1/4W
R438,439 R452,453 R460-463 R466,467 R468,469			RS14KB3D391J RS14KB3A472J RS14KB3DR22J RD14NB2E4R7J RS14KB3D4R7J	FL-PROOF RS 390 FL-PROOF RS 4.7K FL-PROOF RS 0.22 RD 4.7 FL-PROOF RS 4.7	J J J J J	2W 1W 2W 1/4W 2W
R473,474 R475 R476 R478-480			RS14KB3DR22J RD14NB2E4R7J RS14KB3D4R7J RS14KB3A151J	FL-PROOF RS 0.22 RD 4.7 FL-PROOF RS 4.7 FL-PROOF RS 150	J J J J	2W 1/4W 2W 1W
K101 K401-403			S76-0099-05 S76-0097-05	MAGNETIC RELAY MAGNETIC RELAY		
D113 D114-116 D114-116 D117 D118			RB441Q-40 HSS104A 1SS133 S1ZB20(4101) HZS16N(B2)	DIODE DIODE DIODE DIODE ZENER DIODE		
D118 D119 D119 D120 D121,122			MTZJ16(B) HZS15N(B2) MTZJ15(B) D2SBA20F03 D5SBA20F03	ZENER DIODE ZENER DIODE ZENER DIODE DIODE DIODE		
D201 D201 D202			HZS6.8N(B2) MTZJ6.8(B) HZS5.1N(B2)	ZENER DIODE ZENER DIODE ZENER DIODE		

L : Scandinavia K : USA P : Canada R : Mexico C : China I : Malaysia
 Y : PX(Far East,Hawaii) T : England E : Europe G : Germany V : China(Shanghai)
 Y : AAFES(Europe) X : Australia Q : Russia H : Korea M : Other Areas Δ indicates safety critical components .

* New Parts

Parts without **Parts No.** are not supplied.
Les articles non mentionnés dans le **Parts No.** ne sont pas fournis.
Teile ohne **Parts No.** werden nicht geliefert.

9

* New Parts

Parts without **Parts No.** are not supplied.
Les articles non mentionnés dans le **Parts No.** ne sont pas fournis.
Teile ohne **Parts No.** werden nicht geliefert.

10

Ref. No	Address	New Parts	Parts No.	Description	Destination	Remarks
△ D202			MTZJ5.1(B)	ZENER DIODE		
D203			HZS6.8N(B2)	ZENER DIODE		
D203			MTZJ6.8(B)	ZENER DIODE		
D215			HSS104A	DIODE		
D215			1SS133	DIODE		
D301,302			HZS15N(B2)	ZENER DIODE		
D301,302			MTZJ15(B)	ZENER DIODE		
D303,304			HSS104A	DIODE		
D303,304			1SS133	DIODE		
D305,306			HZS11N(B2)	ZENER DIODE		
D305,306			MTZJ11(B)	ZENER DIODE		
D307			HZS3.9N(B2)	ZENER DIODE		
D307			MTZJ3.9(B)	ZENER DIODE		
D308-310			HSS104A	DIODE		
D308-310			1SS133	DIODE		
D311,312			HZS3.9N(B2)	ZENER DIODE		
D311,312			MTZJ3.9(B)	ZENER DIODE		
D313			HSS104A	DIODE		
D313			1SS133	DIODE		
D314			HZS3.9N(B2)	ZENER DIODE		
D314			MTZJ3.9(B)	ZENER DIODE		
D315			HSS104A	DIODE		
D315			1SS133	DIODE		
D316			HZS3.9N(B2)	ZENER DIODE		
D316			MTZJ3.9(B)	ZENER DIODE		
D317,318			HSS104A	DIODE		
D317,318			1SS133	DIODE		
D319,320			HZS15N(B2)	ZENER DIODE		
D319,320			MTZJ15(B)	ZENER DIODE		
D323			HSS104A	DIODE		
D323			1SS133	DIODE		
D401,402			HZS15N(B2)	ZENER DIODE		
D401,402			MTZJ15(B)	ZENER DIODE		
D403,404			HSS104A	DIODE		
D403,404			1SS133	DIODE		
D406-408			HSS104A	DIODE		
D406-408			1SS133	DIODE		
D602,603			HZS5.6N(B2)	ZENER DIODE		
D602,603			MTZJ5.6(B)	ZENER DIODE		
D999			HSS104A	DIODE		
D999			1SS133	DIODE		
△ IC105			BA05T	ANALOGUE IC		
△ IC106			KIA7812API	ANALOGUE IC		
△ IC107			KIA7912PI	ANALOGUE IC		
△ IC202			M61516FP	ANALOGUE IC		
△ IC206			NJM4565D	ANALOGUE IC		
△ IC301			STK413-020A	HYBRID IC		
△ IC301			STK413-220A	HYBRID IC	K1P2	
△ IC401			STK412-020A	HYBRID IC	K1P2	
△ IC401			STK412-220A	HYBRID IC	K1P2	
△ IC401			STK413-020A	HYBRID IC	K2P3	
△ IC401			STK413-220A	HYBRID IC	K2P3	
△ IC607			NJM2279D	ANALOGUE IC		
△ Q113			2SB1640	TRANSISTOR		
△ Q114			2SC1740S(Q,R)	TRANSISTOR		

L : Scandinavia K : USA P : Canada R : Mexico C : China I : Malaysia
Y : PX(Far East,Hawaii) T : England E : Europe G : Germany V : China(Shanghai)
Y : AAFES(Europe) X : Australia Q : Russia H : Korea M : Other Areas △ indicates safety critical components .

Ref. No	Address	New Parts	Parts No.	Description	Destination	Remarks
△ Q114			2SC2785(F,E)	TRANSISTOR		
Q201			2SC1845(F,E)	TRANSISTOR		
Q203			2SA992(F,E)	TRANSISTOR		
Q301-306			2SC2878(B)	TRANSISTOR		
Q307,308			2SA992(F,E)	TRANSISTOR		
Q309-315			2SC1845(F,E)	TRANSISTOR		
Q316			2SA992(F,E)	TRANSISTOR		
Q317,318			2SC2878(B)	TRANSISTOR		
Q319			2SA992(F,E)	TRANSISTOR		
Q401			2SC1845(F,E)	TRANSISTOR		
Q402			2SA1535A	TRANSISTOR		
Q403			2SC3944A	TRANSISTOR		
Q404			2SC1845(F,E)	TRANSISTOR		
Q405			2SA992(F,E)	TRANSISTOR		
Q406			2SB1640	TRANSISTOR		
Q407,408			2SC1845(F,E)	TRANSISTOR		
Q409			2SC1845(F,E)	TRANSISTOR		
Q410,411			DTC113ZSA	DIGITAL TRANSISTOR	K2P3	
Q410,411			UN4219	DIGITAL TRANSISTOR		
Q412			2SC1740S(Q,R)	TRANSISTOR		
Q412			2SC2785(F,E)	TRANSISTOR		
DISPLAY (X14-7520-10)						
D805-808			B30-2545-05	LED(RED3(160))		
C801			CE04RW1H330M	ELECTRO	33UF	50WV
C802,803			CE04RW1H010M	ELECTRO	1.0UF	50WV
C804			CE04LW1H470M	ELECTRO	47UF	50WV
C805			CE04RW1A101M	ELECTRO	100UF	10WV
C806			CE04RW1E470M	ELECTRO	47UF	25WV
C807			CE04PW1H100M	ELECTRO	10UF	50WV
C809			CE04RW1H010M	ELECTRO	1.0UF	50WV
C810			C90-1826-05	BACKUP-C	0.047F	5.5WV
C811			CE04RW1A101M	ELECTRO	100UF	10WV
C812			CE04HW1H100M	NP-ELEC	10UF	50WV
C813			CK45FF1H103Z	CERAMIC	0.010UF	Z
C814			CC45FSL1H101J	CERAMIC	100PF	J
C815,816			CK45FF1H103Z	CERAMIC	0.010UF	Z
C817			CC45FSL1H101J	CERAMIC	100PF	J
C818,819			CK45FF1H103Z	CERAMIC	0.010UF	Z
C820,821			C91-0769-05	CERAMIC	0.010UF	K
C822-825			CK45FF1H103Z	CERAMIC	0.010UF	Z
C828,829			CK45FF1H103Z	CERAMIC	0.010UF	Z
C830			CC45FSL1H101J	CERAMIC	100PF	J
C831,832			CK45FF1H103Z	CERAMIC	0.010UF	Z
C833			CC45FSL1H101J	CERAMIC	100PF	J
C834			CQ93FMG1H103J	MYLAR	0.010UF	J
C835			CK45FF1H103Z	CERAMIC	0.010UF	Z
C836-839			C91-0745-05	CERAMIC	100PF	K
C840			CQ93FMG1H104J	MYLAR	0.10UF	J
C841			C91-0745-05	CERAMIC	100PF	K
C842			CE04PW1H100M	ELECTRO	10UF	50WV
C846			CQ93FMG1H103J	MYLAR	0.010UF	J
C847,848			C91-0745-05	CERAMIC	100PF	K
C849			CC45FSL1H100D	CERAMIC	10PF	D

L : Scandinavia K : USA P : Canada R : Mexico C : China I : Malaysia
Y : PX(Far East,Hawaii) T : England E : Europe G : Germany V : China(Shanghai)
Y : AAFES(Europe) X : Australia Q : Russia H : Korea M : Other Areas △ indicates safety critical components .

PARTS LIST

VR-606/616

* New Parts
 Parts without **Parts No.** are not supplied.
 Les articles non mentionnés dans le **Parts No.** ne sont pas fournis.
 Teile ohne **Parts No.** werden nicht geliefert.

11

Ref. No	Add-ress	New Parts	Parts No.	Description	Desti-nation	Re-marks
CN801			E40-8502-05	FLAT CABLE CONNECTOR		
CN802			E40-8501-05	FLAT CABLE CONNECTOR		
CN803			E40-8503-05	FLAT CABLE CONNECTOR		
CN805			E40-3263-05	PIN ASSY		
E1			J11-0808-05	WIRE CLAMPER		
E2			J11-0809-05	WIRE CLAMPER		
E4			J11-0808-05	WIRE CLAMPER		
X800			L78-0747-05	RESONATOR (4MHZ)		
X801			L78-0725-05	RESONATOR (8.38MHZ)		
CP801			R90-0500-05	MULTI-COMP 100KX6	J 1/4W	
CP802			R90-0855-05	MULTI-COMP 100KX5	J	
CP803			R90-0493-05	MULTI-COMP 100KX9	J 1/6W	
R849			RD14NB2E2R2J	RD 2.2	J 1/4W	
S801-812			S70-0031-05	TACT SWITCH		
S801-812			S70-0086-05	TACT SWITCH		
S813,814			T99-0666-05	ROTARY ENCODER		
S815			T99-0664-05	ROTARY ENCODER		
D801			MTZJ6.2(B)	ZENER DIODE		
D801			RD6.2ES(B)	ZENER DIODE		
D802-804			HSS104A	DIODE		
D802-804			1SS133	DIODE		
D809-811			HSS104A	DIODE		
D809-811			1SS133	DIODE		
D812,813			RB441Q-40	DIODE		
D814			HSS104A	DIODE		
D814			1SS133	DIODE		
D819-828			HSS104A	DIODE		
D819-828			1SS133	DIODE		
ED801			11MT129GNK	FLUORESCENT INDICATOR TUBE		
IC801			MN12510F	MOS-IC		
IC802			S-80840ANY	ANALOGUE IC		
IC803			XC6202P502TH	MOS-IC		
IC804			MN101C51FGA	MI-COM IC		
Q802			2SC1740S(Q,R)	TRANSISTOR		
Q802			2SC2785(F,E)	TRANSISTOR		
Q803			2SA1175(F,E)	TRANSISTOR		
Q803			2SA933AS(Q,R)	TRANSISTOR		
Q804-807			2SC1740S(Q,R)	TRANSISTOR		
Q804-807			2SC2785(F,E)	TRANSISTOR		
A801			W02-2759-05	ELECTRIC CIRCUIT MODULE		
SUB (X25-6520-10)						
C501,502			CK73GB1H103K	CHIP C 0.010UF	K	
C503-508			CC73GCH1H470J	CHIP C 47PF	J	
C509,510			CE04LW1E470M	ELECTRO 47UF	25WV	
C511,512			CE04LW1H100M	ELECTRO 10UF	50WV	
C513,514			CK73GB1H392K	CHIP C 3900PF	K	
C515,516			CK73GB1E473K	CHIP C 0.047UF	K	
C517,518			CK73FB1E563K	CHIP C 0.056UF	K	
C519,520			CK73GB1H222K	CHIP C 2200PF	K	
C521-524			CK73FB1C104K	CHIP C 0.10UF	K	
C525,526			CC73GCH1H471J	CHIP C 470PF	J	

L : Scandinavia K : USA P : Canada R : Mexico C : China I : Malaysia
 Y : PX(Far East,Hawaii) T : England E : Europe G : Germany V : China(Shanghai)
 Y : AAFES(Europe) X : Australia Q : Russia H : Korea M : Other Areas Δ indicates safety critical components .

12

* New Parts
 Parts without **Parts No.** are not supplied.
 Les articles non mentionnés dans le **Parts No.** ne sont pas fournis.
 Teile ohne **Parts No.** werden nicht geliefert.

Ref. No	Add-ress	New Parts	Parts No.	Description	Desti-nation	Re-marks
C527,528			CK73GB1H272J	CHIP C 2700PF	J	
C534			CK73GB1H392K	CHIP C 3900PF	K	
C535			CK73GB1E473K	CHIP C 0.047UF	K	
C536			CK73GB1H222K	CHIP C 2200PF	K	
C537			CK73FB1E563K	CHIP C 0.056UF	K	
C538,539			CK73FB1C104K	CHIP C 0.10UF	K	
C540			CC73GCH1H471J	CHIP C 470PF	J	
C541			CK73GB1H272J	CHIP C 2700PF	J	
C546,547			CC73GCH1H221J	CHIP C 220PF	J	
C548,549			CK73FB1H563K	CHIP C 0.056UF	K	
C550,551			CK73FB1C104K	CHIP C 0.10UF	K	
C552,553			CK73GB1H122J	CHIP C 1200PF	J	
C554,555			CK73GB1H472K	CHIP C 4700PF	K	
CN501			E40-3250-05	PIN ASSY		
CN502,503			E40-8502-05	FLAT CABLE CONNECTOR		
J501			E56-0011-05	CYLINDRICAL RECEPTACLE		
R501-503			RK73GB1J221J	CHIP R 220	J 1/16W	
R505			RD14NB2E100J	RD 10	J 1/4W	
R506			RK73GB1J680J	CHIP R 68	J 1/16W	
R507-510			RK73GB1J820J	CHIP R 82	J 1/16W	
R511,512			RK73GB1J104J	CHIP R 100K	J 1/16W	
R513			RK73GB1J680J	CHIP R 68	J 1/16W	
R514			RD14NB2E100J	RD 10	J 1/4W	
R517,518			RD14NB2E470J	RD 47	J 1/4W	
R521,522			RK73GB1J222J	CHIP R 2.2K	J 1/16W	
R523,524			RK73GB1J562J	CHIP R 5.6K	J 1/16W	
R525,526			RK73GB1J363J	CHIP R 36K	J 1/16W	
R527,528			RK73GB1J333J	CHIP R 33K	J 1/16W	
R529,530			RK73GB1J393J	CHIP R 39K	J 1/16W	
R531,532			RK73GB1J823J	CHIP R 82K	J 1/16W	
R533			RK73GB1J222J	CHIP R 2.2K	J 1/16W	
R534			RK73GB1J562J	CHIP R 5.6K	J 1/16W	
R535			RK73GB1J363J	CHIP R 36K	J 1/16W	
R536			RK73GB1J333J	CHIP R 33K	J 1/16W	
R537,538			RK73GB1J433J	CHIP R 43K	J 1/16W	
R539			RK73GB1J823J	CHIP R 82K	J 1/16W	
R540,541			RK73GB1J222J	CHIP R 2.2K	J 1/16W	
R542,543			RK73GB1J183J	CHIP R 18K	J 1/16W	
R544			RK73GB1J433J	CHIP R 43K	J 1/16W	
R545			RK73GB1J393J	CHIP R 39K	J 1/16W	
R546,547			RK73GB1J823J	CHIP R 82K	J 1/16W	
R548,549			RK73GB1J473J	CHIP R 47K	J 1/16W	
R550,551			RK73GB1J223J	CHIP R 22K	J 1/16W	
R552,553			RD14NB2E100J	RD 10	J 1/4W	
D501,502			HZS6.2N(B2)	ZENER DIODE		
D501,502			MTZJ6.2(B)	ZENER DIODE		
IC501,502			NJM2279M	ANALOGUE IC		
IC503-506			NJM4565M	ANALOGUE IC		
IC503-506			NJM4565MD	IC(OP AMP X2)		
Q501			2SC3940A(R,S)	TRANSISTOR		
Q501			2SD863(E,F)	TRANSISTOR		
Q502			2SA1534A(R,S)	TRANSISTOR		
Q502			2SB764(E,F)	TRANSISTOR		

L : Scandinavia K : USA P : Canada R : Mexico C : China I : Malaysia
 Y : PX(Far East,Hawaii) T : England E : Europe G : Germany V : China(Shanghai)
 Y : AAFES(Europe) X : Australia Q : Russia H : Korea M : Other Areas Δ indicates safety critical components .

SPECIFICATIONS

AUDIO section

Rated power output during STEREO operation

100 watts per channel minimum RMS, both channels driven, at 8Ω from 40 Hz to 20 kHz with no more than 0.7% total harmonic distortion. (FTC)

Effective power output during SURROUND operation

FRONT (40 ~ 20 kHz, 0.7% T.H.D. at 8Ω one channel driven)100 W + 100 W

CENTER (40 ~ 20 kHz, 0.7% T.H.D. at 8Ω one channel driven).....100 W

SURROUND (40 ~ 20 kHz, 0.7% T.H.D. at 8Ω one channel driven).....100 W + 100 W

SUBWOOFER (80 Hz, 0.7% T.H.D. at 8Ω one channel driven) (VR-616)100 W

Total harmonic distortion.....0.05% (1 kHz, 50 W, 8Ω)

Frequency response

CD20 Hz ~ 70 kHz, +0 dB, -3.0 dB

Signal to noise ratio (IHF'66)

CD.....95 dB

Input sensitivity / impedance

CD550 mV / 47 kΩ

DVD/6CH INPUT550 mV / 47 kΩ

Output level / impedance

TAPE REC550 mV / 1 kΩ

PRE OUT (SUBWOOFER) (VR-606)1.5 V / 2.2 kΩ

Tone control

BASS±10 dB (at 100 Hz)

TREBLE±10 dB (at 10 kHz)

Loudness control

VOLUME at -30dB level.....+8 dB (at 100 Hz)

DIGITAL AUDIO section

Sampling frequency32 kHz, 44.1 kHz, 48 kHz, 96 kHz

Input level / impedance / wave length

Optical(-15 dBm ~ -21 dBm), 660 nm ±30 nm

Coaxial.....0.5 Vp-p / 75 Ω

VIDEO section

VIDEO inputs / outputs

VIDEO (composite).....1 Vp-p / 75 Ω

S VIDEO inputs / outputs

S VIDEO (luminance signal)1 Vp-p / 75 Ω

S VIDEO (chrominance signal)0.286 Vp-p / 75 Ω

FM tuner section

Tuning frequency range87.5 MHz ~ 108.0 MHz

Usable sensitivity (MONO)

.....1.3 μV (75 Ω)/ 13.2 dBf (75 kHz DEV., SINAD 30 dB)

50dB quieting sensitivity

STEREO28 μV (75 Ω)/ 40.2 dBf

Total harmonic distortion (1 kHz)

MONO0.5% (71.2 dBf input)

STEREO.....0.7% (71.2 dBf input)

Signal to noise ratio (1 kHz, 75 kHz DEV.)

MONO75 dB (71.2 dBf input)

STEREO68 dB (71.2 dBf input)

Stereo separation (1 kHz)40 dB

Selectivity (±400 kHz).....70 dB

Frequency response(30 Hz ~ 15kHz), +0.5 dB, -3.0 dB

AM tuner section

Tuning frequency range

10 kHz step.....530 kHz ~ 1,700 kHz

Usable sensitivity (30% mod., S/N 20dB).16 μV / (600 μV/m)

Signal to noise ratio (30% mod. 1 mV input)50 dB

GENERAL

Power consumption2.2 A

AC outlet

SWITCHED(total 150 W, 1.25 A max.)

Dimensions.....W: 440 mm (17-5/16")

H: 143 mm (5-5/8")

D: 303 mm (11-15/16")

Weight (Net).....7.7 kg (17.00 lb)

Notes

- 1.KENWOOD follows a policy of continuous advancements in development. For this reason specifications may be changed without notice.
- 2.The full performance may not be exhibited in an extremely cold location (under a water-freezing temperature).

KENWOOD CORPORATION

14-6,Dogenzaka 1-chome, Shibuya-ku, Tokyo, 150-8501 Japan

KENWOOD SERVICE CORPORATION

P.O BOX 22745, 2201 East Dominguez St., Long Beach, CA 90801-5745, U.S.A.

KENWOOD ELECTRONICS CANADA INC.

6070 Kestrel Road, Mississauga, Ontario, Canada L5T 1S8

KENWOOD ELECTRONICS LATIN AMERICA S.A.

P.O BOX 55-2791, Piso 6 plaza Chase, Cl. 47 y Aquilino de la Guardia Panama, Republic de Panama

KENWOOD ELECTRONICS BRASIL LTDA.

Alameda Ministro Rocha Azevedo No. 456, Edificio Jaú, 10o Andar, Cerqueira César, Cep 0140-001, São Paulo-SP-Brasil

KENWOOD ELECTRONICS U.K. LIMITED

KENWOOD House, Dwight Road, Watford, Herts., WD1 8EB., United Kingdom

KENWOOD ELECTRONICS BELGIUM N.V.

Leuvensesteenweg 248 J, 1800 Vilvoorde, Belgium

KENWOOD ELECTRONICS DEUTSCHLAND GMBH

Rembrücker Str. 15, 63150 Heusenstamm, Germany

KENWOOD ELECTRONICS FRANCE S.A.

13 Boulevard Ney, 75018 Paris, France

KENWOOD ELECTRONICS ITALIA S.p.A.

Via G. Sirtori, 7/9 20129, Milano, Italy

KENWOOD IBÉRICA S.A.

Bolivia, 239-08020 Barcelona, Spain

KENWOOD ELECTRONICS AUSTRALIA PTY. LTD.

(A.C.N. 001 499 074)
16 Giffnock Avenue, North Ryde, N.S.W. 2113, Australia

KENWOOD ELECTRONICS (HONG KONG) LTD.

Unit 3712-3724, Level 37, Tower 1, Metroplaza, 223 Hing Fong Road, Kwai Fong N.T., Hong Kong

KENWOOD ELECTRONICS GULF FZE

P.O.Box 61318, Jebel Ali, Dubai, U.A.E.

KENWOOD ELECTRONICS SINGAPORE PTE LTD.

No. 1 Genting Lane #02-02, KENWOOD Building, Singapore, 349544

KENWOOD ELECTRONICS (MALAYSIA) SDN BHD.

#4,01 Level 4, Wisma Academy Lot 4A, Jalan 19/1 46300 Petaling Jaya Selangor Darul Ehsan Malaysia

KENWOOD ELECTRONICS (THAILAND) CO., LTD.

2019 New Pechburi Road, Bangkapi, Huaykwang, Bangkok, 10320 Thailand