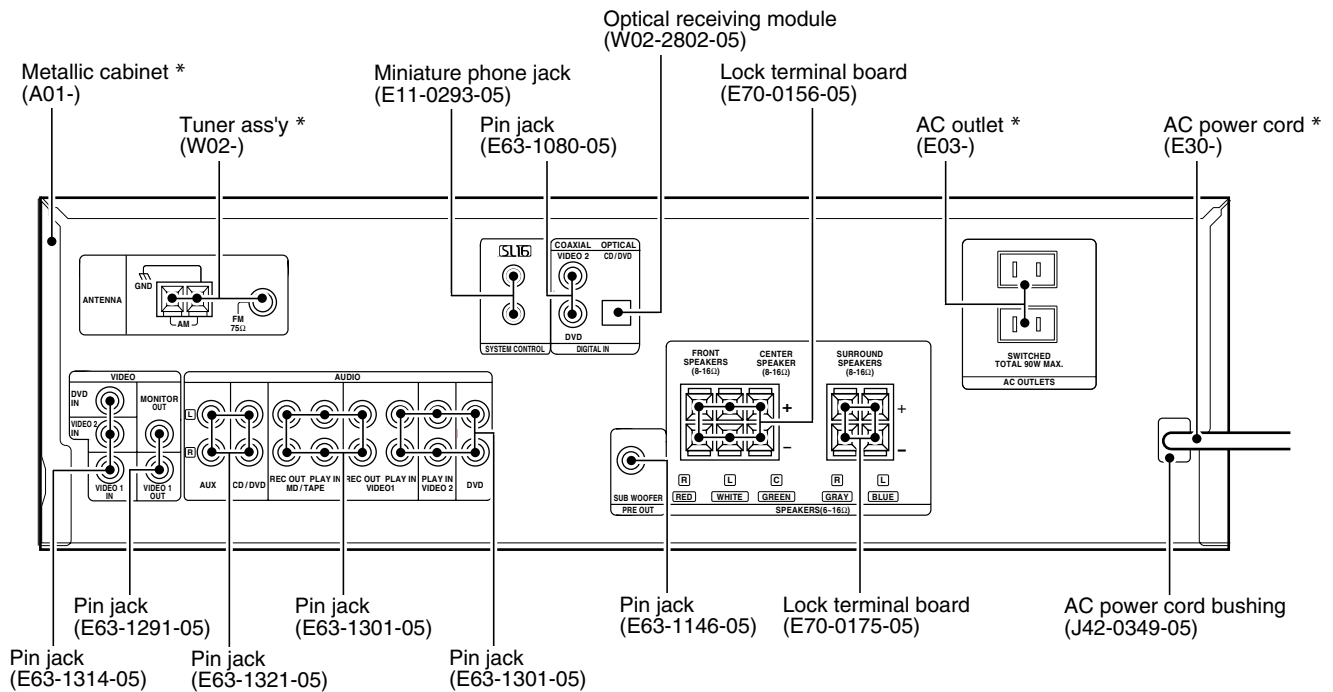
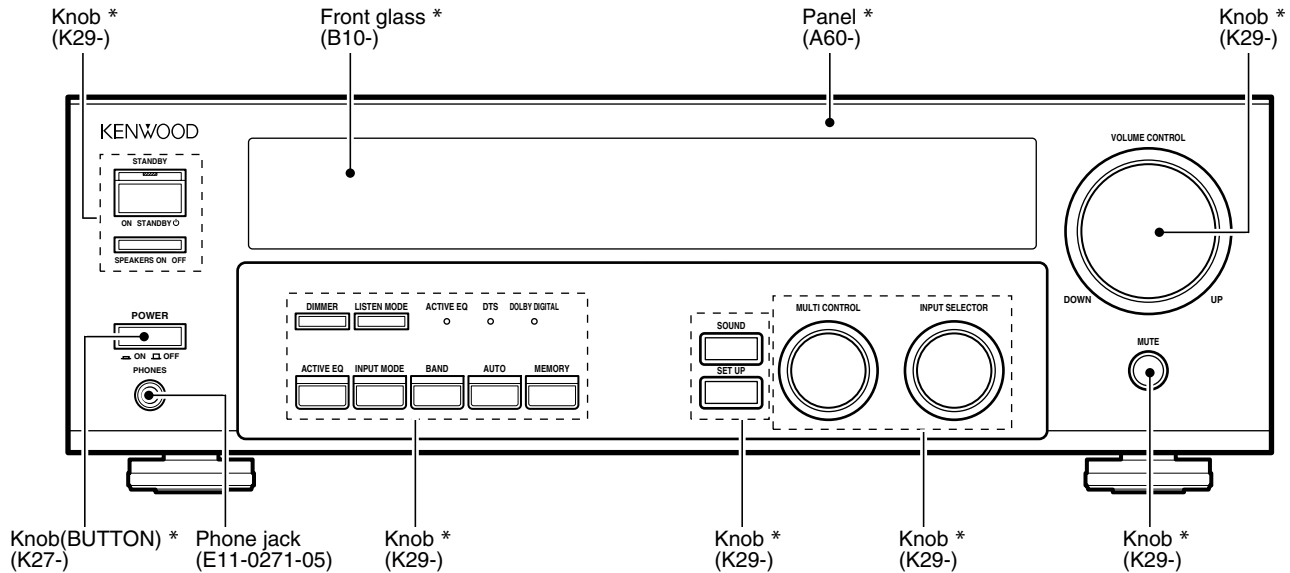


KRF-V4070D/V4070D-S/V5070D/V5070D-S  
 KRF-V5570D/V5570D-S/V6070D/V6070D-S  
 VR-705/705-S/707/715/715-S/716  
**SERVICE MANUAL**

© 2003-1 PRINTED IN KOREA  
 B51-5840-00 (K/K) 3471



Illust. is KRF-V4070D.

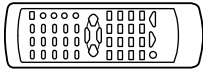
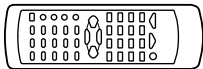
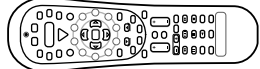
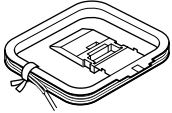
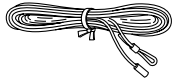
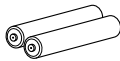
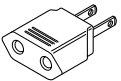
\* Refer to parts list on page 29.



# KRF-V4070D/V5070D/V6070D/VR-705/707/715/716

## ACCESSORIES / CAUTIONS

### Accessories

|  |  |   |  |
|--|--|---|--|
| <p>Remote control unit (1)<br/>(See the below table)</p> <p>RC-R0626</p>  <p>RC-R0625</p>  <p>RC-R0824</p>  | <p>AM loop antenna (1)<br/>(T90-0893-05)</p>  | <p>FM indoor antenna (1)<br/>(T90-0877-05)</p>  | <p>Batteries (R6/AA) (2)</p>  |
| <p>AC Plug Adaptor (1)<br/>(E03-0115-05)</p>  <p>Use to adapt the plug on the power cord to the shape of the wall outlet.<br/>(Accessory only for regions where use is necessary.)</p>  |  |   |  |

### REMOTE CONTROL vs MODEL

| MODEL        | PARTS #     | REMOTE CONTROL # | DESTINATION |
|--------------|-------------|------------------|-------------|
| KRF-V4070D   | A70-1614-05 | RC-R0628         | E1          |
| KRF-V4070D-S |             |                  | E2          |
| KRF-V4070D-S | A70-1612-05 | RC-R0626         | X2          |
| KRF-V5070D   | A70-1613-05 | RC-R0625         | E3          |
| KRF-V5070D   | A70-1611-05 |                  | M3          |
| KRF-V5070D-S | A70-1613-05 |                  | E4          |
| KRF-V5070D-S | A70-1611-05 |                  | M4X4        |
| KRF-V5570D   | A60-1612-05 | RC-R0626         | X5          |
| KRF-V5570D-S |             |                  | M6X6        |
| KRF-V5570D-S | A60-1614-05 | RC-R0628         | E6          |

| MODEL        | PARTS #     | REMOTE CONTROL # | DESTINATION |
|--------------|-------------|------------------|-------------|
| KRF-V6070D   | A70-1617-05 | RC-R0824         | M7          |
| KRF-V6070D   |             |                  | X7          |
| KRF-V6070D   | A70-1618-05 | RC-R0825         | E7          |
| KRF-V6070D-S | A70-1617-05 | RC-R0824         | M8          |
| KRF-V6070D-S | A70-1618-05 | RC-R0825         | E8          |
| VR-705       | A60-1612-05 | RC-R0626         | K1P1        |
| VR-705-S     |             |                  | K6P6        |
| VR-707       | A70-1617-05 | RC-R0824         | K2P2        |
| VR-715       | A70-1611-05 | RC-R0625         | K3P3        |
| VR-715-S     |             |                  | K5P5        |
| VR-716       | A70-1617-05 | RC-R0824         | K4P4        |

### Cautions

#### Resetting the Microcomputer

The microcomputer may malfunction (unit cannot be operated, or shows an erroneous display) if the power cord is unplugged while the power is ON, or due to some other external factor. If this happens, execute the following procedure to reset the microcomputer and return the unit to its normal operating condition.

- Please note that resetting the microcomputer will clear the contents of the memory and return the unit to the state it was in when it left the factory

#### For the U.S.A. and Canada

**Unplug the power cord from the wall outlet, then plug it back in while holding down the POWER key.**

#### For other countries

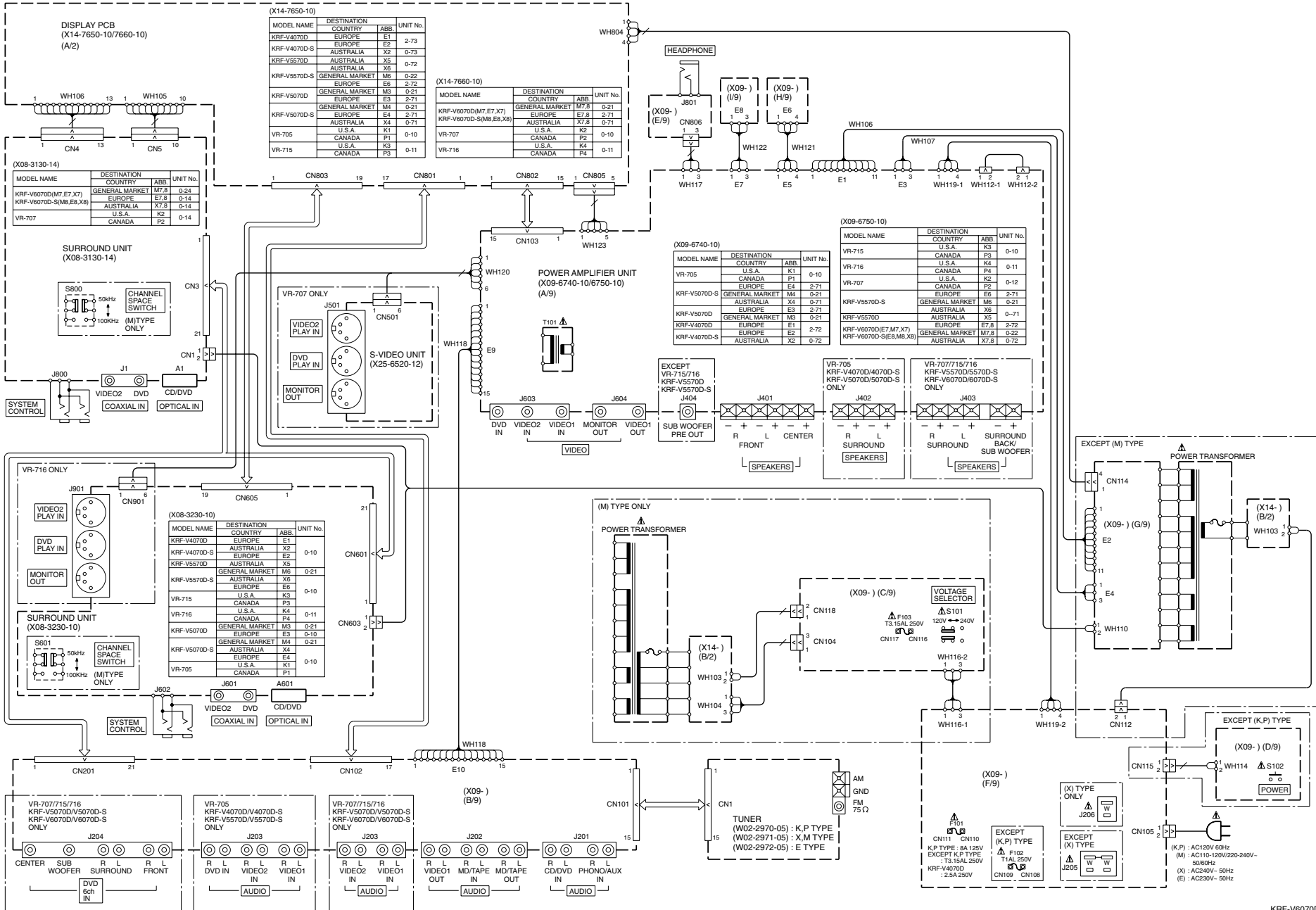
**With the power cord plugged in, turn the POWER key OFF. Then, while holding down the ON/STANDBY I/⏻ key, press POWER.**

#### Memory back up function

Please note that the following items will be deleted from the unit's memory if the power cord is disconnected from the AC outlet for approximately 3 days.

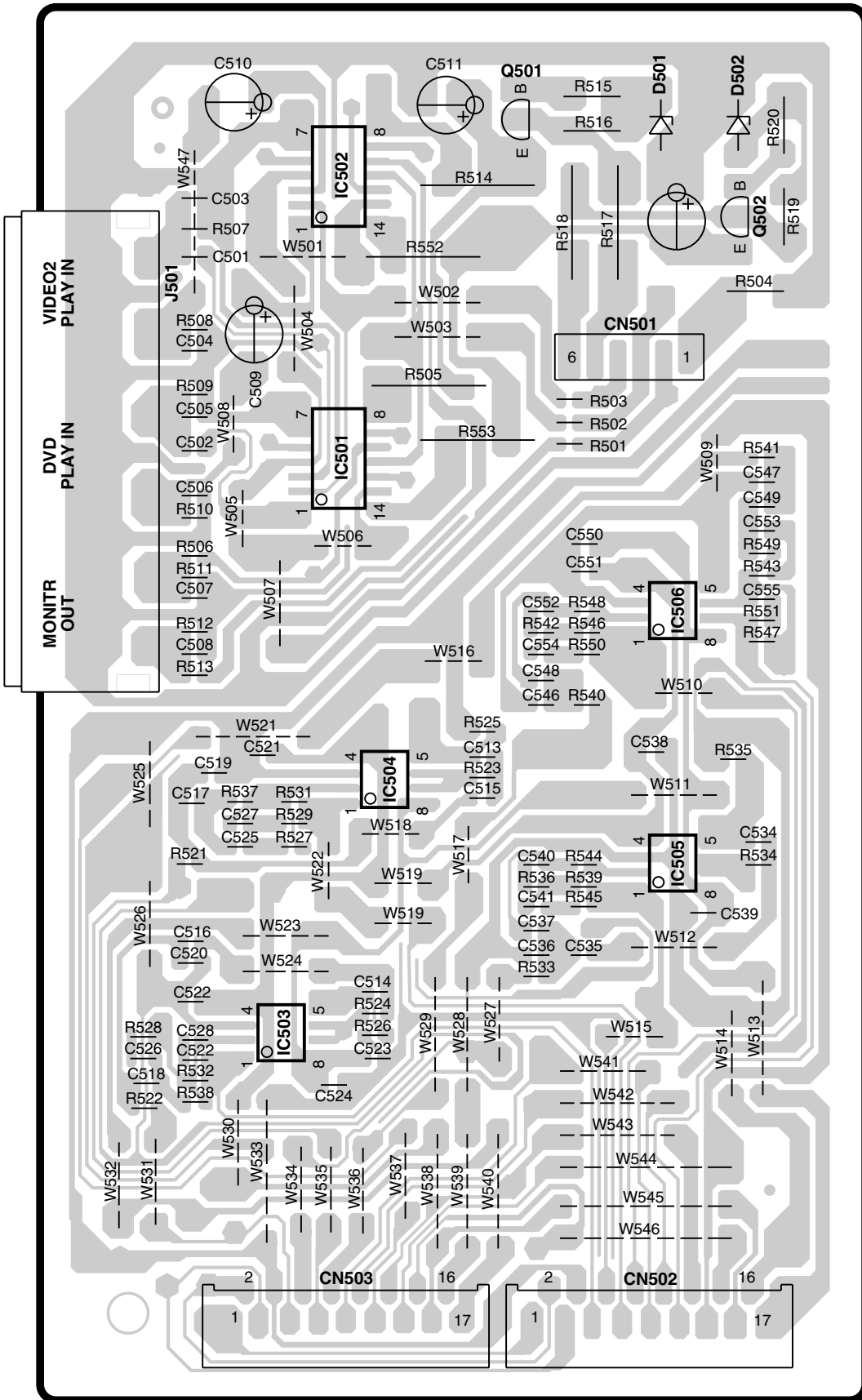
- Power mode.
- Input selector settings.
- Picture output.
- Speaker ON/OFF.
- Volume level.
- BASS, TREBLE, INPUT level.
- Dimmer level.
- MD/TAPE settings.
- Listen mode setting.
- Speaker settings.
- SW RE-MIX ON/OFF.
- Distance setting.
- Input mode setting.
- Midnight mode setting.
- PRO LOGIC II mode setting.
- Broadcast band.
- Frequency setting.
- Preset stations.
- Tuning mode.
- CINEMA EQ ON/OFF.
- LOUDNESS ON/OFF.

## INTERCONNECTION DIAGRAM

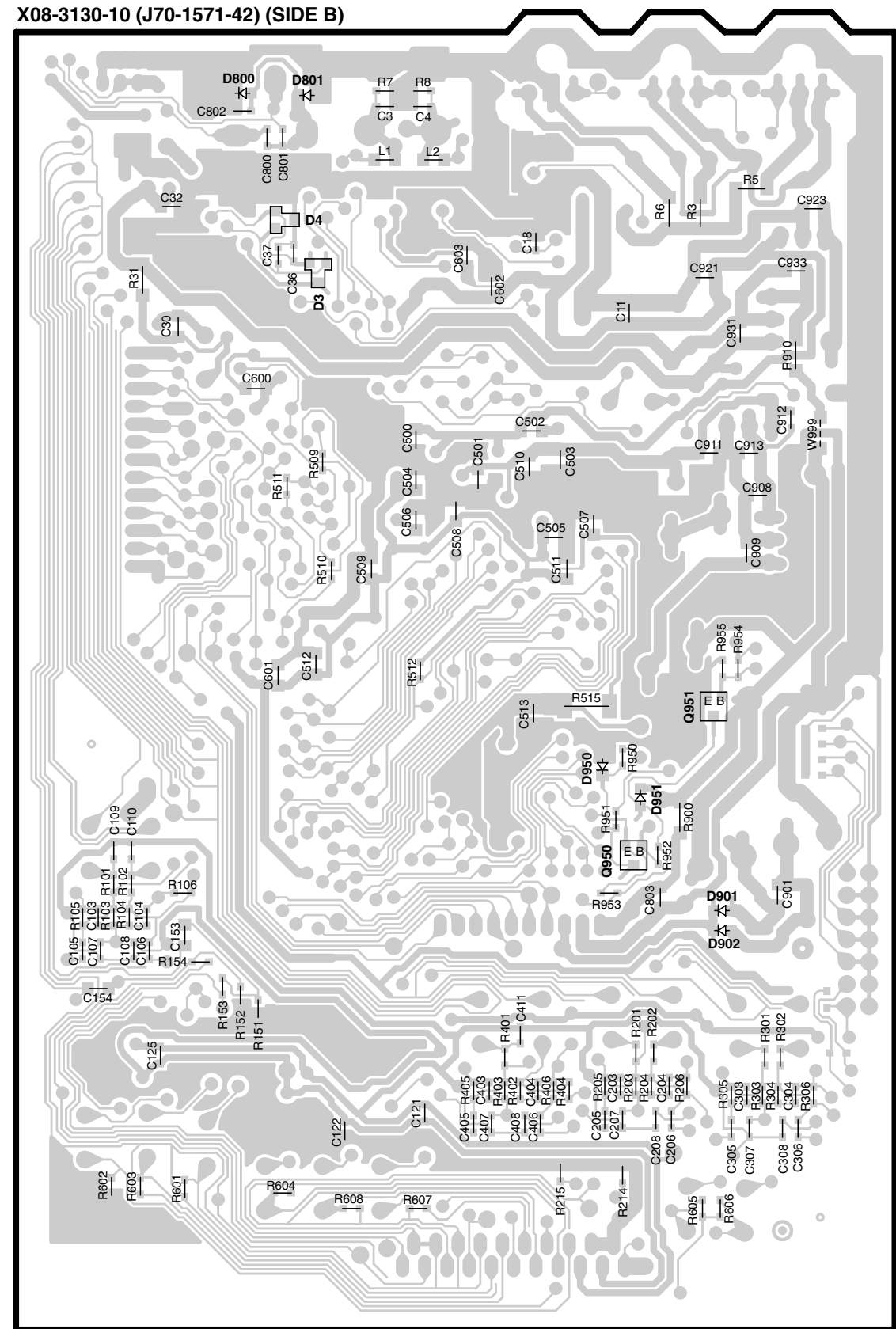
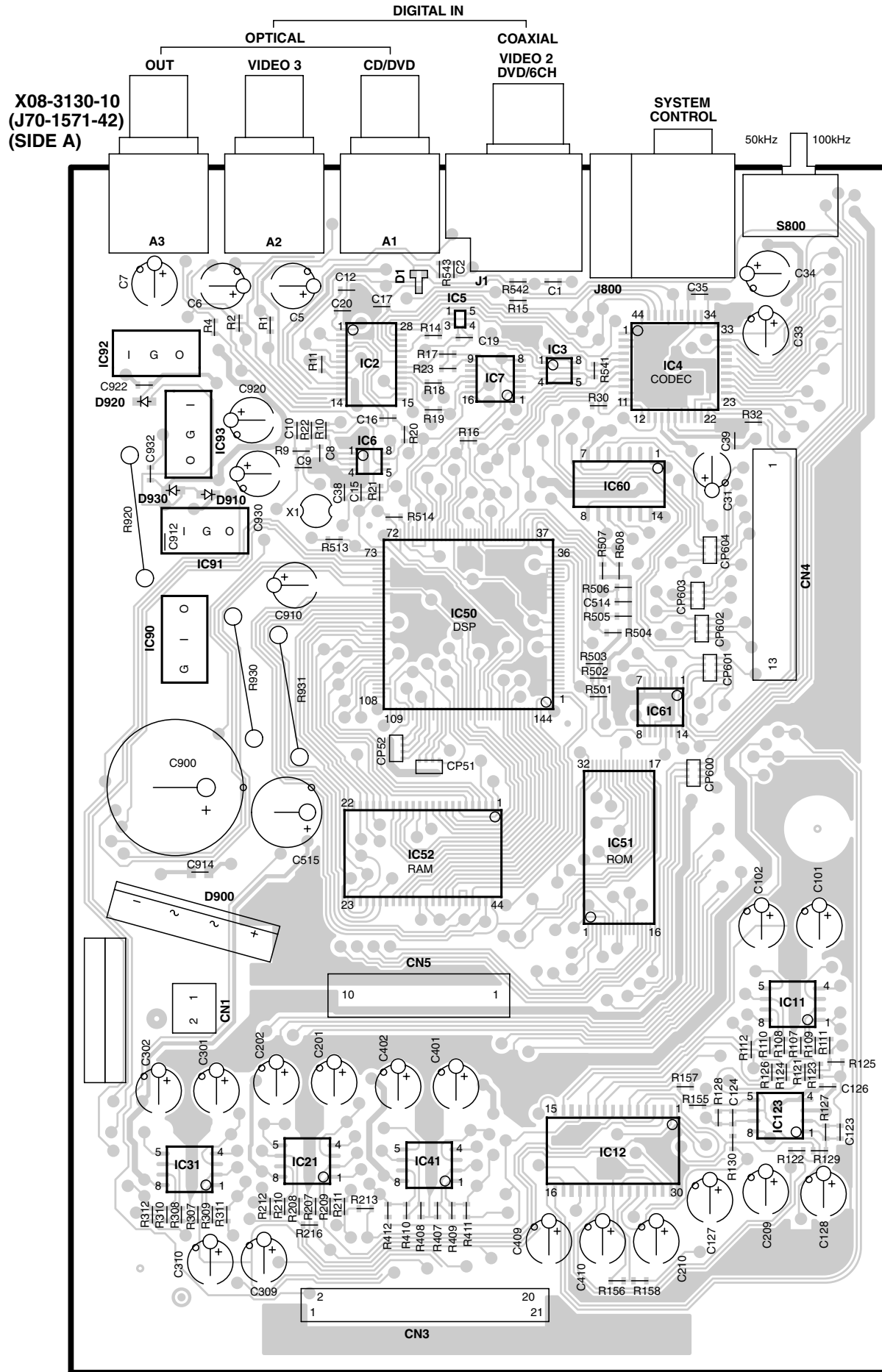


# PC BOARD

## X25-6520-12(J70-1614-11)



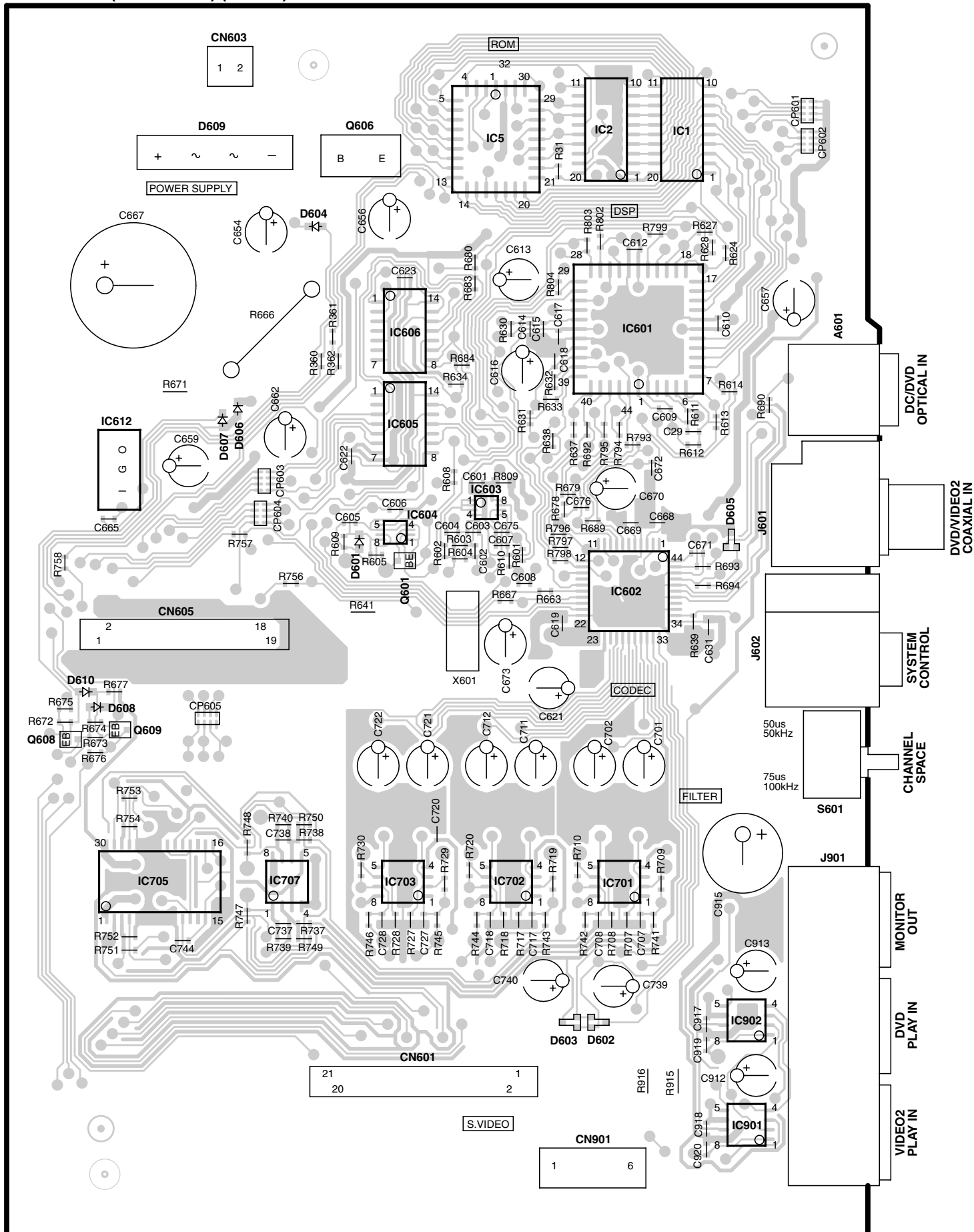
# PC BOARD



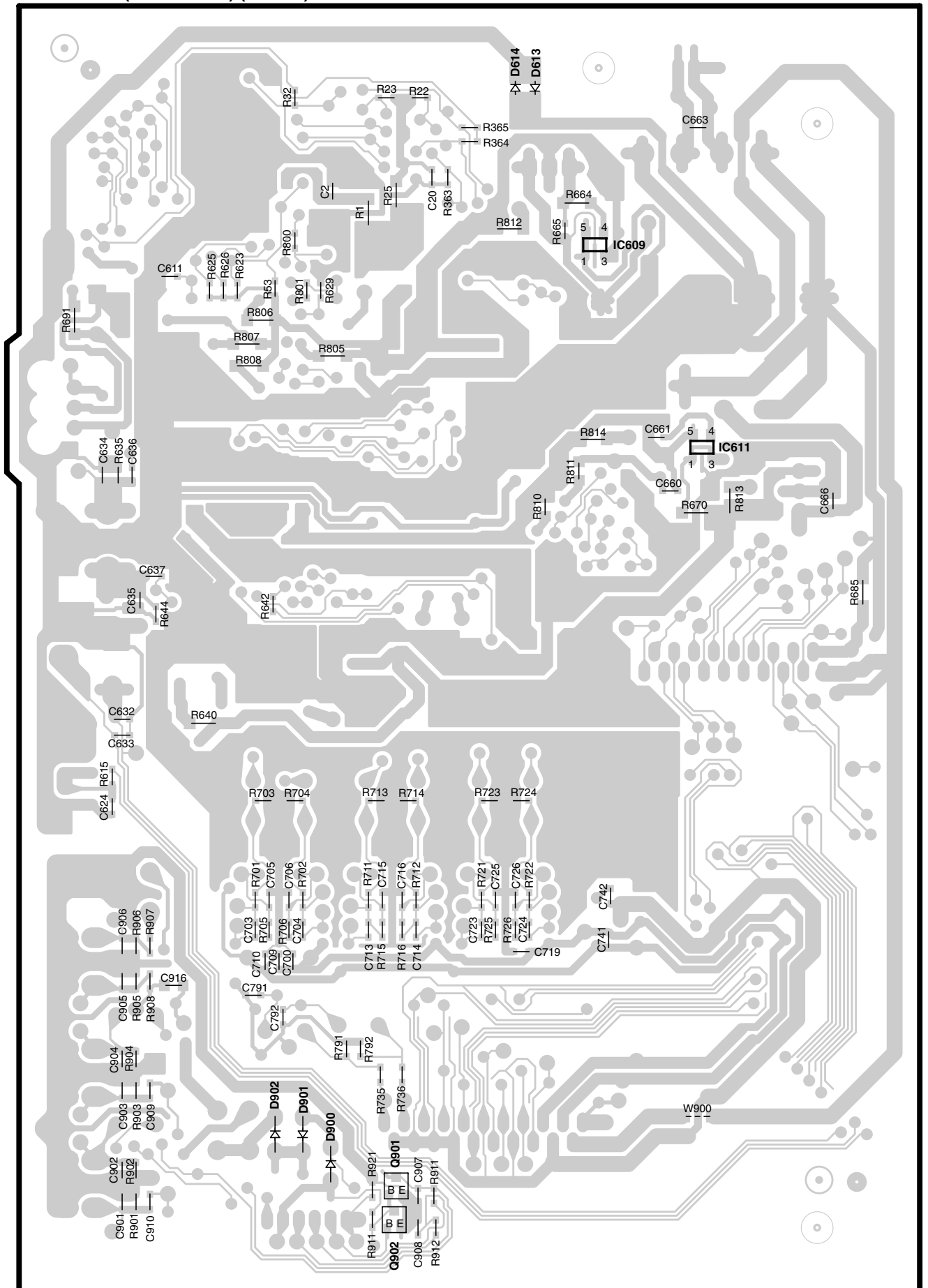
Refer to the schematic diagram for the value of resistors and capacitors.

# PC BOARD

X08-3230-10 (J70-1659-02) (SIDE A)



X08-3230-10 (J70-1659-02) (SIDE B)

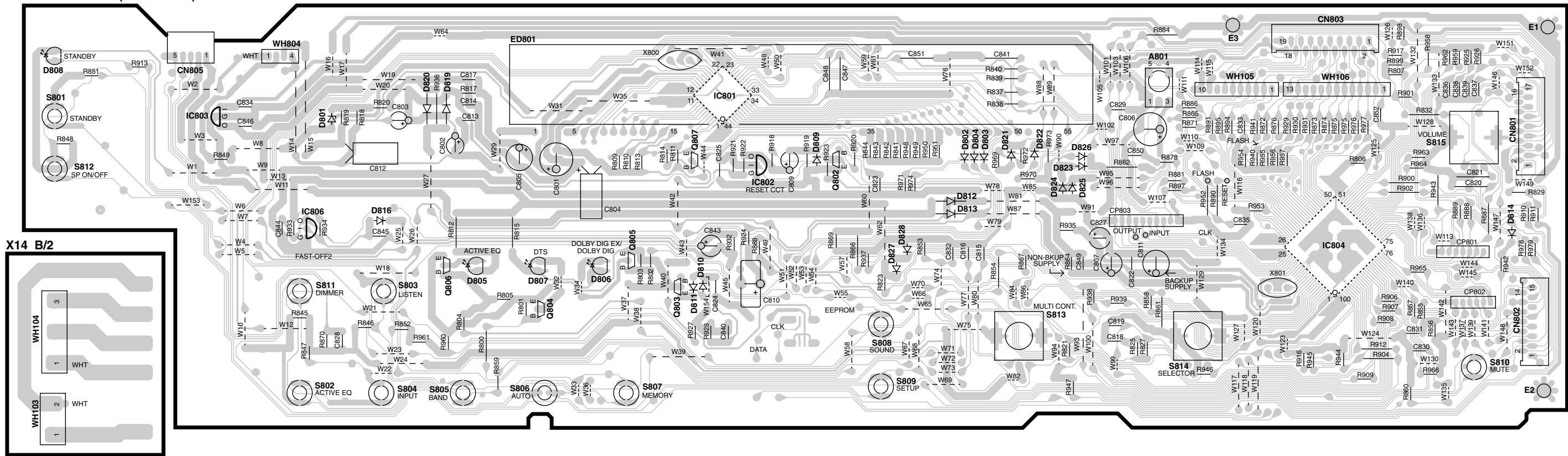


Refer to the schematic diagram for the value of resistors and capacitors.

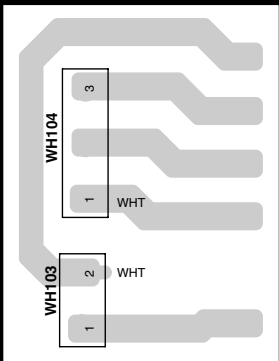


# PC BOARD

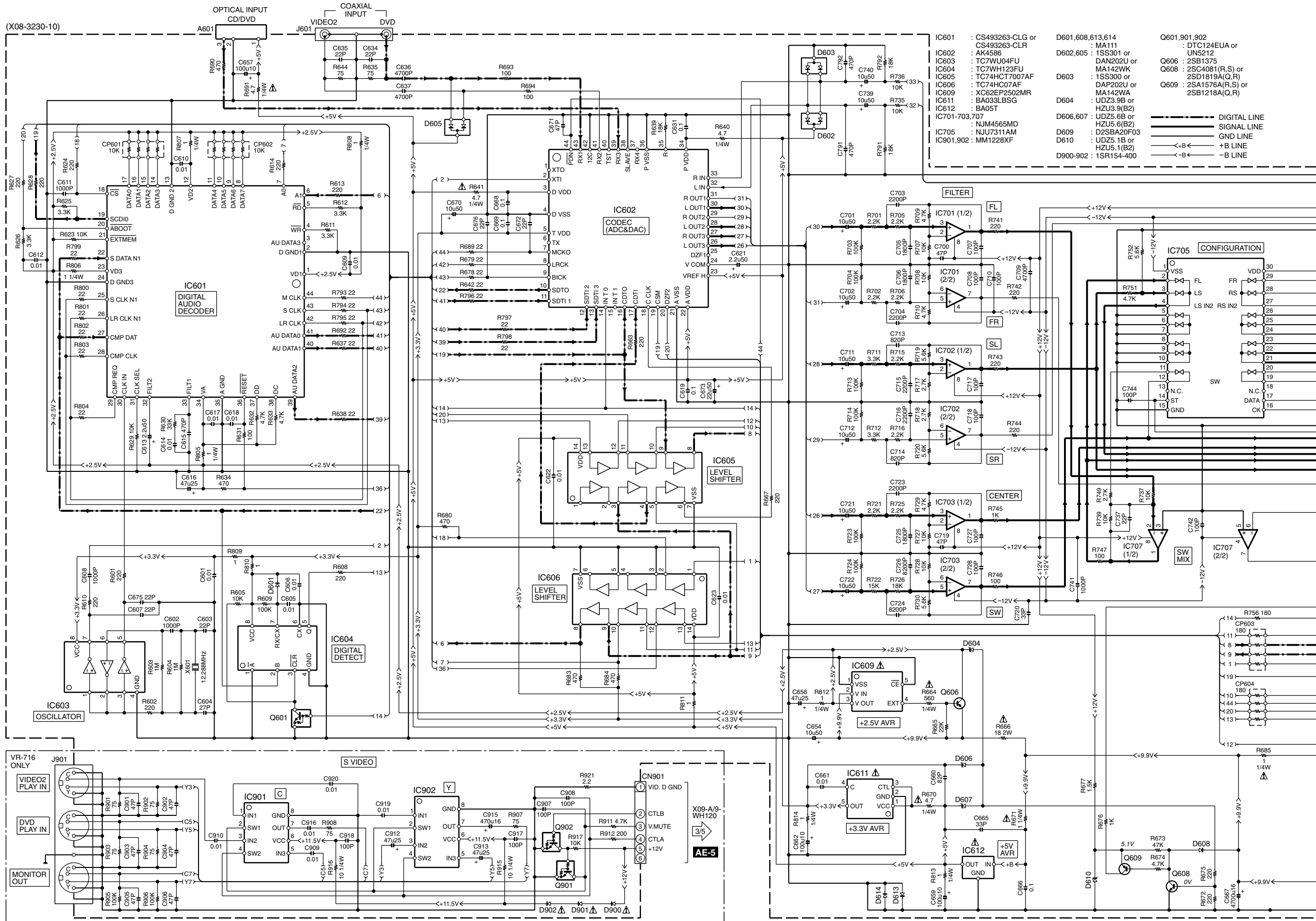
X14-7650-10 A/2 (J70-1660-01)  
 X14-7660-10 A/2 (J70-1664-01)



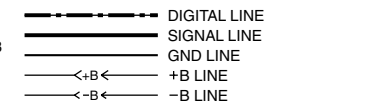
X14 B/2







- |   |   |  |
|---|---|--|
| IC601 : CS493263-CLG or<br>CS493263-CLR | D601,608,613,614 : MA111                      | Q601,901,902 : DTC124EUA or<br>UN5212    |
| IC603 : AK4586                          | D602,605 : 1SS301 or<br>DAN202U or<br>MA142WK | Q606 : 2SB1375                           |
| IC604 : TC7WU04FU                       | D603 : 1SS300 or<br>DAP202U or<br>MA142WA     | Q608 : 2SC4081(R,S) or<br>2SD1819A(Q,R)  |
| IC605 : TC74HCT7007AF                   | D604 : UDZ3.9B or<br>HZU3.9(B2)               | Q609 : 2SA1576A(R,S) or<br>2SB2128A(Q,R) |
| IC606 : TC74HC07AF                      | D606,607 : UDZ5.6B or<br>HZU5.6(B2)           |  |
| IC609 : XC62EP2502MR                    | D609 : D2SBA20F03                             |  |
| IC611 : BA033LBSG                       | D610 : UDZ5.1B or<br>HZU5.1(B2)               |  |
| IC612 : BA05T                           | D900-902 : 1SR154-400                         |  |
| IC701-703,707 : NJM4565MD               |   |  |
| IC705 : NJU7311AM                       |   |  |
| IC901,902 : MM1228XF                    |   |  |



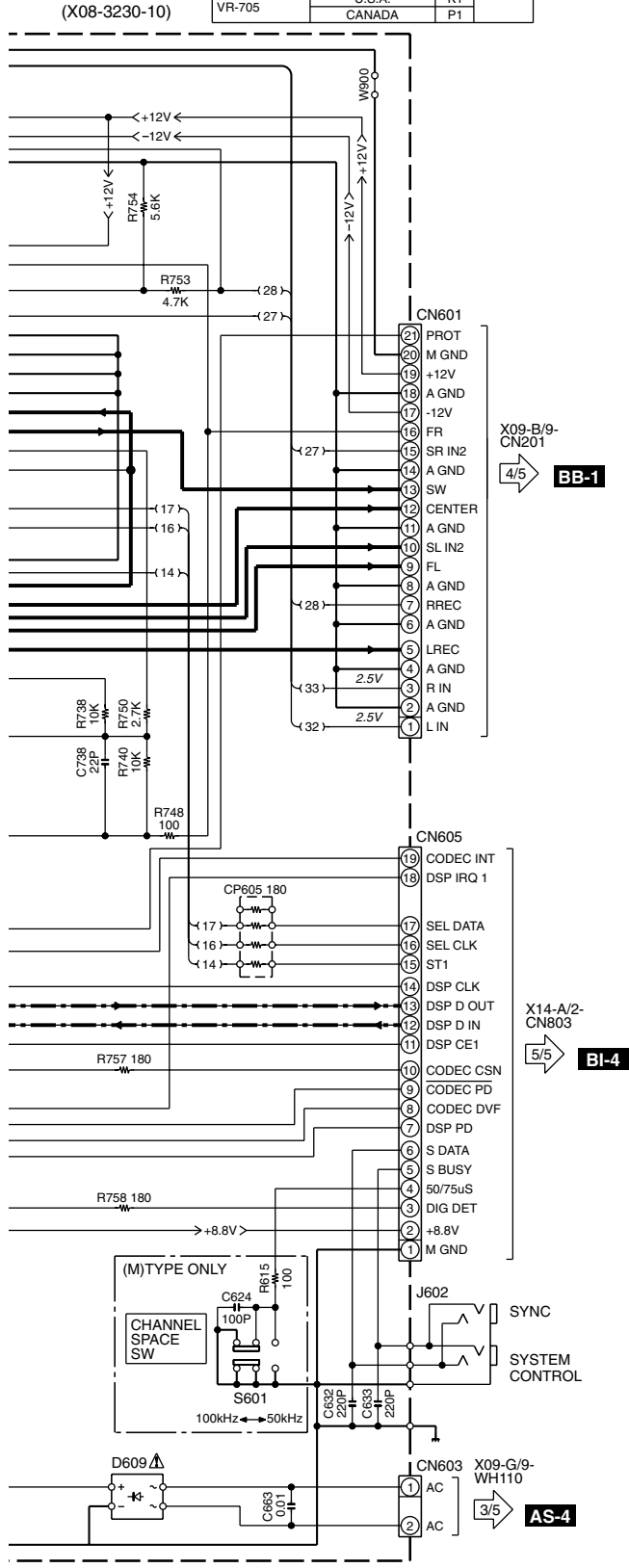
(X08-3230-10)

VR-716 ONLY

AE-5

(X08-3230-10)

| MODEL NAME   | DESTINATION    |      | UNIT No. |
|--------------|----------------|------|----------|
|              | COUNTRY        | ABB. |          |
| KRF-V4070D   | EUROPE         | E1   | 0-10     |
| KRF-V4070D-S | AUSTRALIA      | X2   |          |
|              | EUROPE         | E2   |          |
| KRF-V5570D   | AUSTRALIA      | X5   | 0-21     |
| KRF-V5570D-S | GENERAL MARKET | M6   |          |
|              | AUSTRALIA      | X6   | 0-10     |
|              | EUROPE         | E6   |          |
| VR-715       | U.S.A.         | K3   |          |
|              | CANADA         | P3   | 0-11     |
| VR-716       | U.S.A.         | K4   |          |
|              | CANADA         | P4   |          |
| KRF-V5070D   | GENERAL MARKET | M3   | 0-21     |
|              | EUROPE         | E3   | 0-10     |
|              | GENERAL MARKET | M4   | 0-21     |
| KRF-V5070D-S | AUSTRALIA      | X4   | 0-10     |
|              | EUROPE         | E4   |          |
|              | U.S.A.         | K1   |          |
| VR-705       | CANADA         | P1   |          |

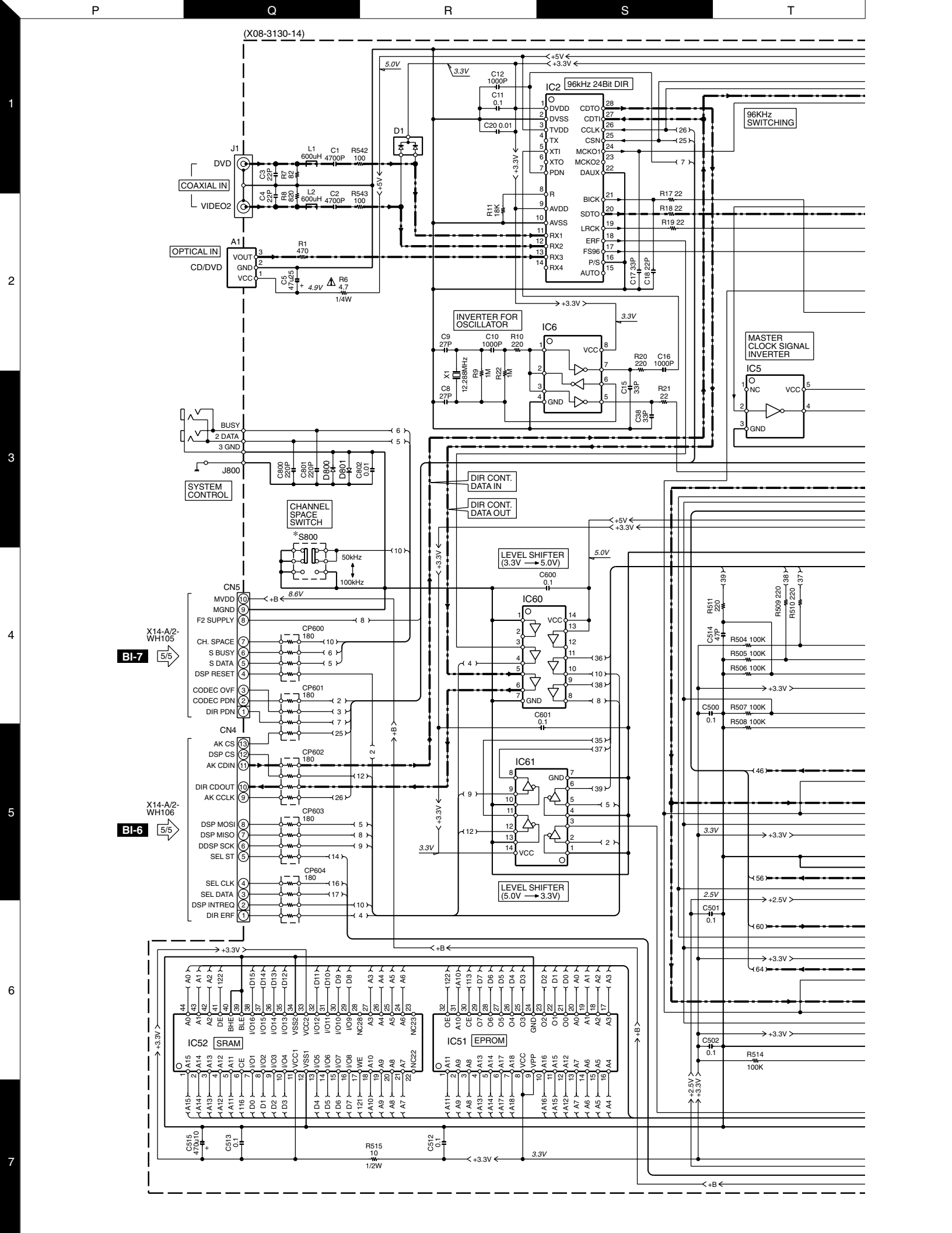


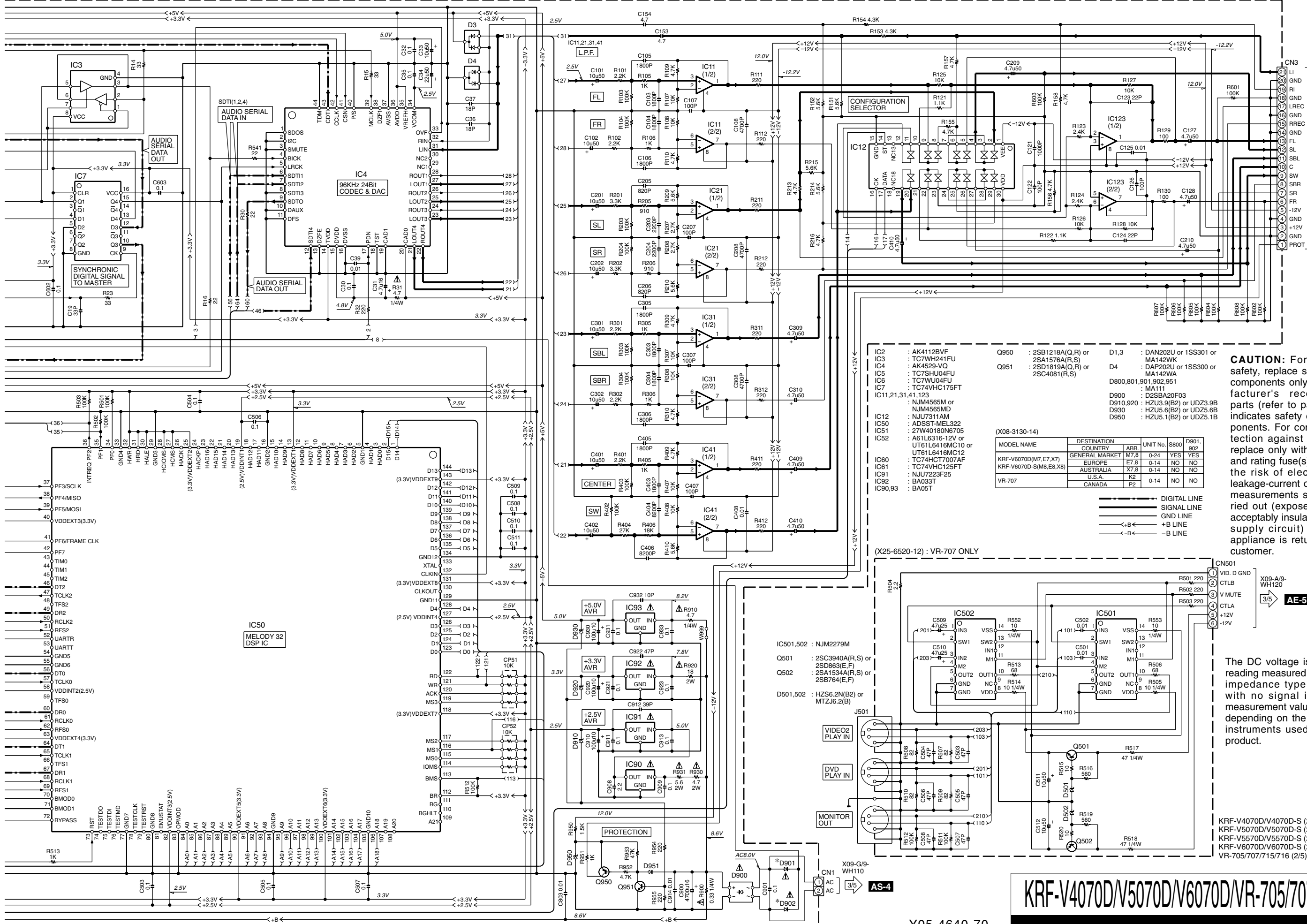
KRF-V4070D/V5070D/V5570D (1/5)  
VR-705/715/716 (1/5)  
Y05-4640-70

**CAUTION:** For continued safety, replace safety critical components only with manufacturer's recommended parts (refer to parts list).  $\Delta$  indicates safety critical components. For continued protection against risk of fire, replace only with same type and rating fuse(s). To reduce the risk of electric shock, leakage-current or resistance measurements shall be carried out (exposed parts are acceptably insulated from the supply circuit) before the appliance is returned to the customer.

The DC voltage is an actual reading measured with a high impedance type voltmeter with no signal input. The measurement value may vary depending on the measuring instruments used or on the product.

KRF-V4070D/V5070D/V6070D/VR-705/707/715/716





IC1 : AK4112BVF  
 IC2 : NJM4555M or NJM4555MD  
 IC3 : TC7WH241FU  
 IC4 : AK4529-VQ  
 IC5 : ADSST-MEL322  
 IC6 : TC7SHU04FU  
 IC7 : TC7VHC125FT  
 IC8 : NJJ7311AM  
 IC9 : TC7VHC125FT  
 IC10 : NJM4555M or NJM4555MD  
 IC11 : NJJ7311AM  
 IC12 : NJM4555M or NJM4555MD  
 IC13 : NJJ7311AM  
 IC14 : TC7VHC125FT  
 IC15 : NJJ7311AM  
 IC16 : TC7VHC125FT  
 IC17 : TC7VHC125FT  
 IC18 : NJJ7311AM  
 IC19 : NJJ7311AM  
 IC20 : NJM4555M or NJM4555MD  
 IC21 : NJJ7311AM  
 IC22 : NJM4555M or NJM4555MD  
 IC30 : NJJ7311AM  
 IC31 : NJJ7311AM  
 IC32 : NJJ7311AM  
 IC40 : NJM4555M or NJM4555MD  
 IC41 : NJJ7311AM  
 IC42 : NJJ7311AM  
 IC50 : NJM4555M or NJM4555MD  
 IC51 : NJJ7311AM  
 IC52 : NJM4555M or NJM4555MD  
 IC60 : TC7VHC125FT  
 IC61 : NJJ7311AM  
 IC90 : NJJ7311AM  
 IC91 : NJJ7311AM  
 IC92 : NJJ7311AM  
 IC90,93 : BA05T

Q950 : 2SB1218A(Q,R) or 2SA1576A(R,S)  
 Q951 : 2SD1819A(Q,R) or 2SC4081(R,S)

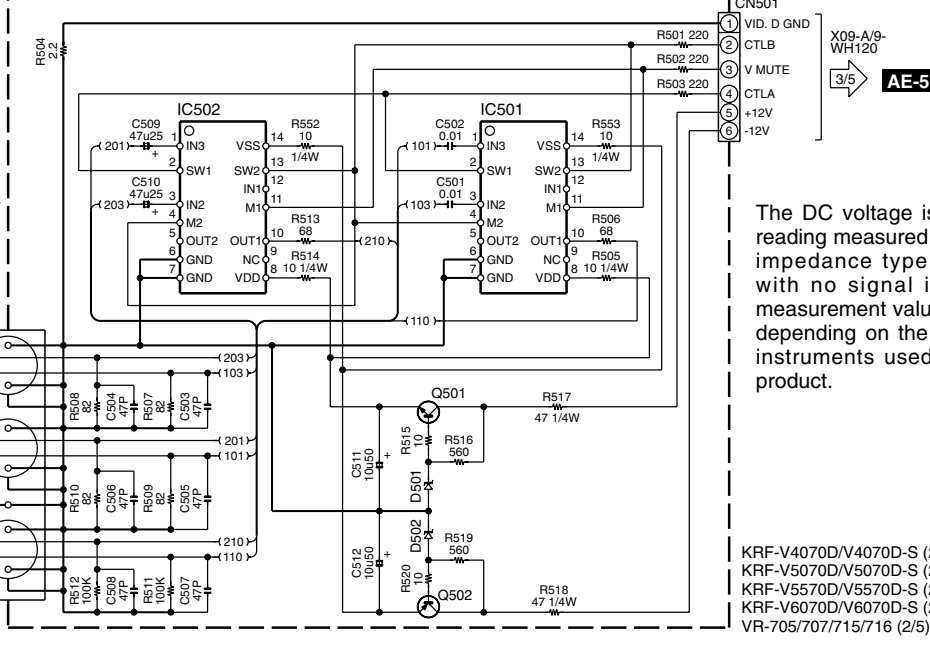
D1,3 : DAN202U or 1SS301 or MA142WK  
 D4 : DAP202U or 1SS300 or MA142WA  
 D800,801,901,902,951 : MA111  
 D900 : D2SBA20F03  
 D910,920 : HZU3.9(B2) or UDZ3.9B  
 D930 : HZU5.6(B2) or UDZ5.6B  
 D950 : HZU5.1(B2) or UDZ5.1B

(X08-3130-14)

| MODEL NAME             | COUNTRY        | ABB. | UNIT No. | S800 | D901, 902 |
|------------------------|----------------|------|----------|------|-----------|
| KRF-V6070D(M7,E7,X7)   | GENERAL MARKET | M7,8 | 0-24     | YES  | YES       |
| KRF-V6070D-S(M8,E8,X8) | EUROPE         | E7,8 | 0-14     | NO   | NO        |
|                        | AUSTRALIA      | X7,8 | 0-14     | NO   | NO        |
|                        | U.S.A.         | K2   | 0-14     | NO   | NO        |
| VR-707                 | CANADA         | P2   | 0-14     | NO   | NO        |

Legend:  
 - - - - - DIGITAL LINE  
 \_\_\_\_\_ SIGNAL LINE  
 \_\_\_\_\_ GND LINE  
 <-+B-+> +B LINE  
 <-B-B-+> -B LINE

(X25-6520-12) : VR-707 ONLY

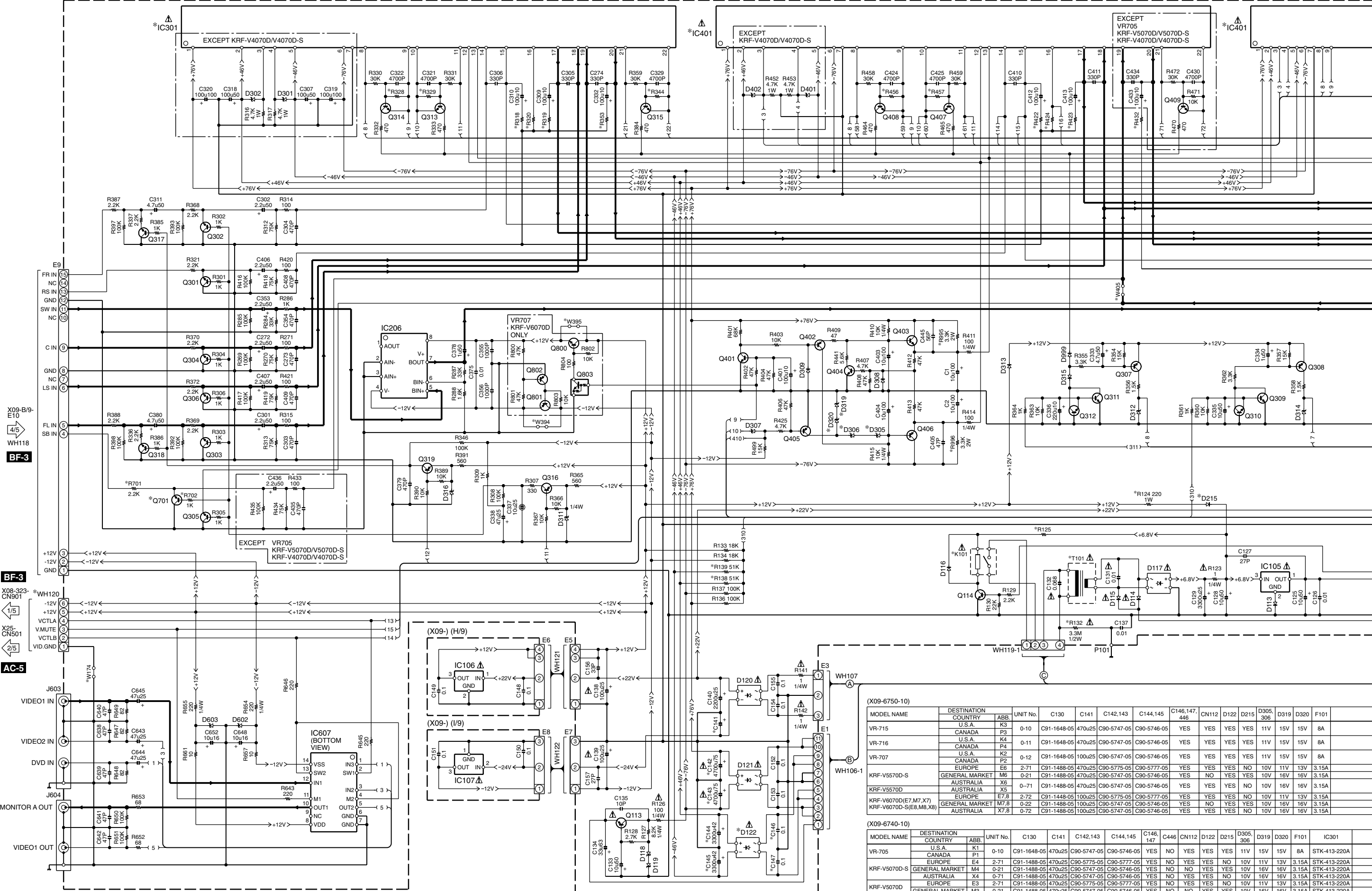


**CAUTION:** For continued safety, replace safety critical components only with manufacturer's recommended parts (refer to parts list).  $\Delta$  indicates safety critical components. For continued protection against risk of fire, replace only with same type and rating fuse(s). To reduce the risk of electric shock, leakage-current or resistance measurements shall be carried out (exposed parts are acceptably insulated from the supply circuit) before the appliance is returned to the customer.

The DC voltage is an actual reading measured with a high impedance type voltmeter with no signal input. The measurement value may vary depending on the measuring instruments used or on the product.

- KRF-V4070D/V4070D-S (2/5)
- KRF-V5070D/V5070D-S (2/5)
- KRF-V5570D/V5570D-S (2/5)
- KRF-V6070D/V6070D-S (2/5)
- VR-705/707/715/716 (2/5)

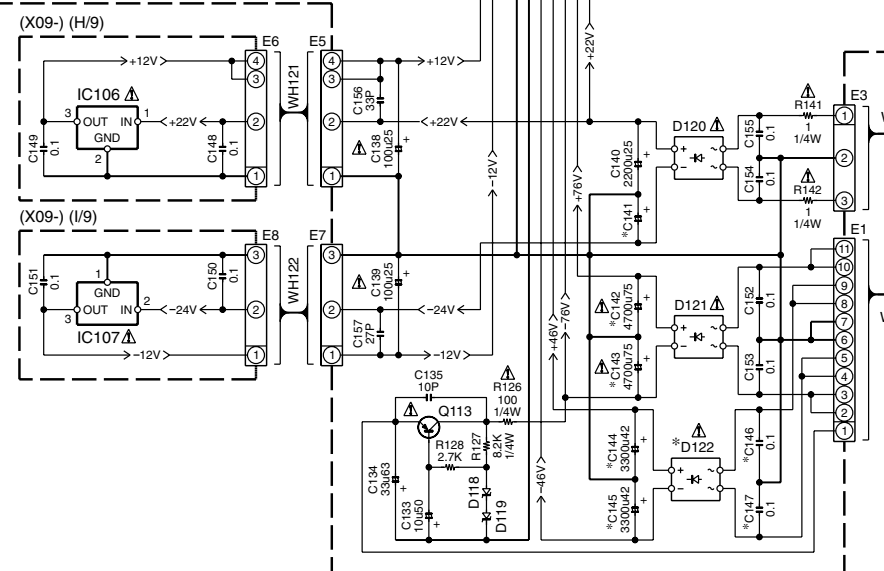
# KRF-V4070D/V5070D/V6070D/VR-705/707/715/716



X09-B/9-  
E10  
4/5  
WH118  
BF-3

BF-3  
X08-323-  
CN901  
1/5  
X25-  
CN501  
2/5  
AC-5

VIDEO1 IN  
VIDEO2 IN  
DVD IN  
MONITOR A OUT  
VIDEO1 OUT



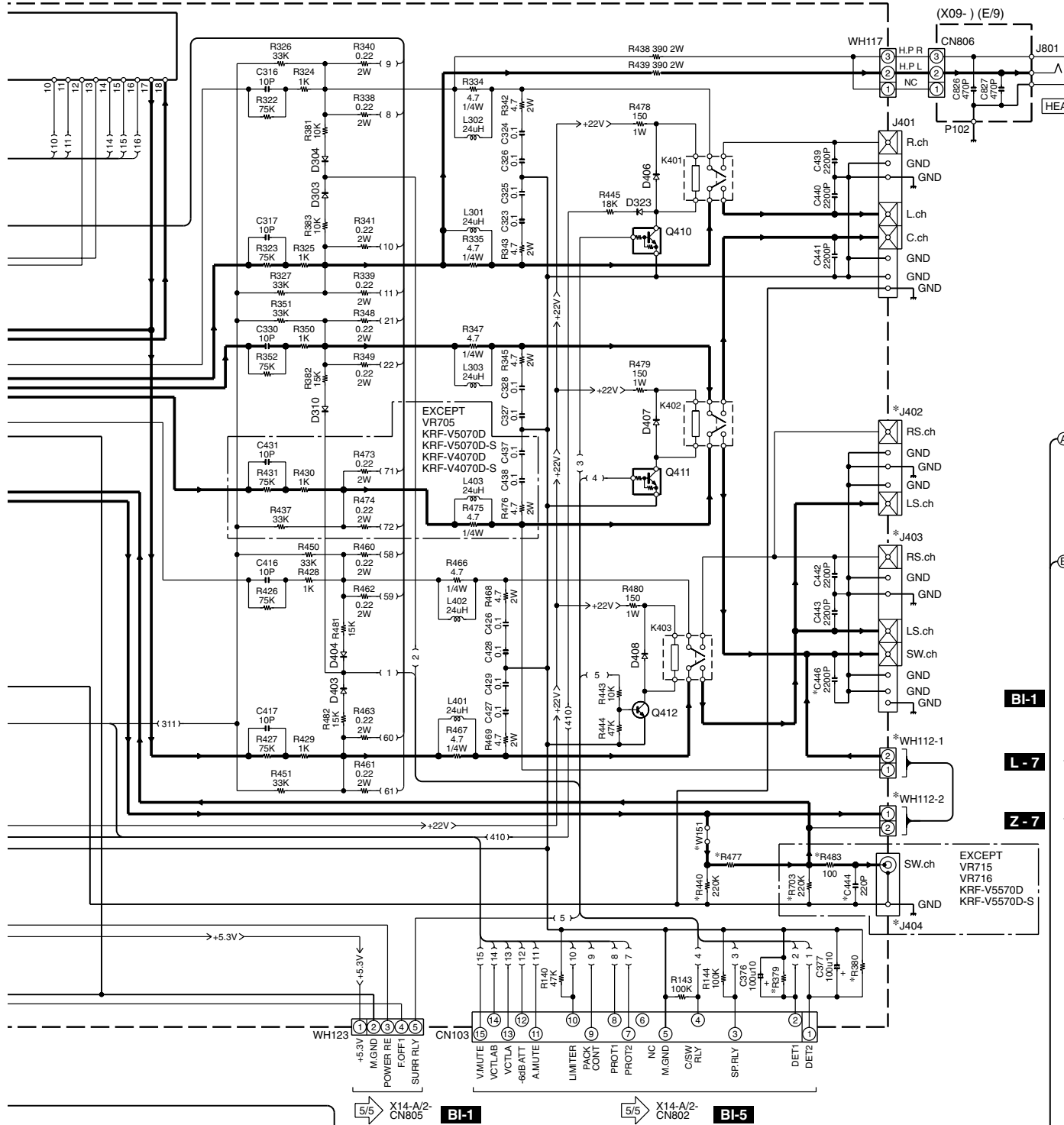
(X09-6750-10)

| MODEL NAME             | DESTINATION | COUNTRY        | ABB. | UNIT No. | C130        | C141   | C142,143    | C144,145    | C146,147,148 | CN112 | D122 | D215 | D305,306 | D319 | D320 | F101  |
|------------------------|-------------|----------------|------|----------|-------------|--------|-------------|-------------|--------------|-------|------|------|----------|------|------|-------|
| VR-715                 | U.S.A.      | U.S.A.         | K3   | 0-10     | C91-1648-05 | 470u25 | C90-5747-05 | C90-5746-05 | YES          | YES   | YES  | YES  | 11V      | 15V  | 15V  | 8A    |
|                        |             | CANADA         | P3   |          |             |        |             |             |              |       |      |      |          |      |      |       |
| VR-716                 | U.S.A.      | U.S.A.         | K4   | 0-11     | C91-1648-05 | 470u25 | C90-5747-05 | C90-5746-05 | YES          | YES   | YES  | YES  | 11V      | 15V  | 15V  | 8A    |
|                        |             | CANADA         | P4   |          |             |        |             |             |              |       |      |      |          |      |      |       |
| VR-707                 | U.S.A.      | U.S.A.         | K2   | 0-12     | C91-1648-05 | 100u25 | C90-5747-05 | C90-5746-05 | YES          | YES   | YES  | YES  | 11V      | 15V  | 15V  | 8A    |
|                        |             | CANADA         | P2   |          |             |        |             |             |              |       |      |      |          |      |      |       |
| KRF-V5570D-S           | EUROPE      | EUROPE         | E6   | 2-71     | C91-1488-05 | 470u25 | C90-5775-05 | C90-5777-05 | YES          | YES   | YES  | NO   | 10V      | 11V  | 13V  | 3.15A |
|                        |             | GENERAL MARKET | M6   | 0-21     | C91-1488-05 | 470u25 | C90-5747-05 | C90-5746-05 | YES          | NO    | YES  | YES  | 10V      | 16V  | 16V  | 3.15A |
| KRF-V5570D             | AUSTRALIA   | AUSTRALIA      | X6   | 0-71     | C91-1488-05 | 470u25 | C90-5747-05 | C90-5746-05 | YES          | YES   | YES  | NO   | 10V      | 16V  | 16V  | 3.15A |
|                        |             | EUROPE         | E7,8 | 2-72     | C91-1448-05 | 100u25 | C90-5775-05 | C90-5777-05 | YES          | YES   | YES  | NO   | 10V      | 11V  | 13V  | 3.15A |
| KRF-V6070D(E7,M7,X7)   | EUROPE      | EUROPE         | E7,8 | 2-72     | C91-1448-05 | 100u25 | C90-5775-05 | C90-5777-05 | YES          | YES   | YES  | NO   | 10V      | 11V  | 13V  | 3.15A |
|                        |             | GENERAL MARKET | M7,8 | 0-22     | C91-1488-05 | 100u25 | C90-5747-05 | C90-5746-05 | YES          | NO    | YES  | YES  | 10V      | 16V  | 16V  | 3.15A |
| KRF-V6070D-S(E8,M8,X8) | AUSTRALIA   | AUSTRALIA      | X6   | 0-71     | C91-1488-05 | 470u25 | C90-5747-05 | C90-5746-05 | YES          | YES   | YES  | NO   | 10V      | 16V  | 16V  | 3.15A |
|                        |             | EUROPE         | E7,8 | 2-72     | C91-1448-05 | 100u25 | C90-5775-05 | C90-5777-05 | YES          | YES   | YES  | NO   | 10V      | 11V  | 13V  | 3.15A |

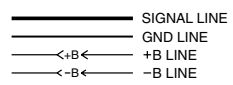
(X09-6740-10)

| MODEL NAME   | DESTINATION | COUNTRY        | ABB. | UNIT No. | C130        | C141   | C142,143    | C144,145    | C146,147,148 | C446 | CN112 | D122 | D215 | D305,306 | D319 | D320 | F101  | IC301        |
|--------------|-------------|----------------|------|----------|-------------|--------|-------------|-------------|--------------|------|-------|------|------|----------|------|------|-------|--------------|
| VR-705       | U.S.A.      | U.S.A.         | K1   | 0-10     | C91-1648-05 | 470u25 | C90-5747-05 | C90-5746-05 | YES          | NO   | YES   | YES  | YES  | 11V      | 15V  | 15V  | 8A    | STK-413-220A |
|              |             | CANADA         | P1   |          |             |        |             |             |              |      |       |      |      |          |      |      |       |              |
| KRF-V5070D-S | EUROPE      | EUROPE         | E4   | 2-71     | C91-1488-05 | 470u25 | C90-5775-05 | C90-5777-05 | YES          | NO   | YES   | NO   | YES  | 10V      | 11V  | 13V  | 3.15A | STK-413-220A |
|              |             | GENERAL MARKET | M4   | 0-21     | C91-1488-05 | 470u25 | C90-5747-05 | C90-5746-05 | YES          | NO   | YES   | YES  | YES  | 10V      | 16V  | 16V  | 3.15A | STK-413-220A |
| KRF-V5070D   | AUSTRALIA   | AUSTRALIA      | X4   | 0-71     | C91-1488-05 | 470u25 | C90-5747-05 | C90-5746-05 | YES          | NO   | YES   | YES  | NO   | 10V      | 16V  | 16V  | 3.15A | STK-413-220A |
|              |             | EUROPE         | E3   | 2-71     | C91-1488-05 | 470u25 | C90-5775-05 | C90-5777-05 | YES          | NO   | YES   | NO   | YES  | 10V      | 11V  | 13V  | 3.15A | STK-413-220A |
| KRF-V4070D   | EUROPE      | EUROPE         | M3   | 0-21     | C91-1488-05 | 470u25 | C90-5747-05 | C90-5746-05 | YES          | NO   | NO    | YES  | YES  | 10V      | 16V  | 16V  | 3.15A | STK-413-220A |
|              |             | EUROPE         | E1   | 2-72     | C91-1488-05 | 470u25 | C90-5775-05 | C90-5777-05 | NO           | NO   | NO    | NO   | NO   | NO       | NO   | NO   | 2.5A  | STK-443-070  |
| KRF-V4070D-S | AUSTRALIA   | AUSTRALIA      | X1   | 0-72     | C91-1488-05 | 470u25 | C90-5776-05 | C90-5746-05 | NO           | NO   | NO    | NO   | NO   | NO       | NO   | NO   | 2.5A  | STK-443-070  |

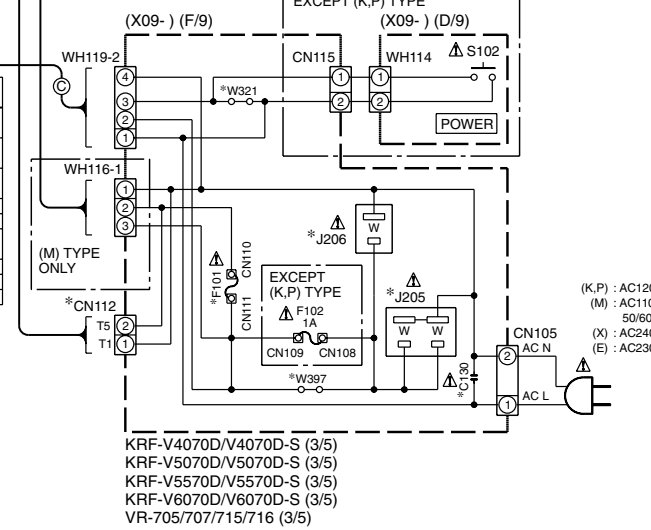
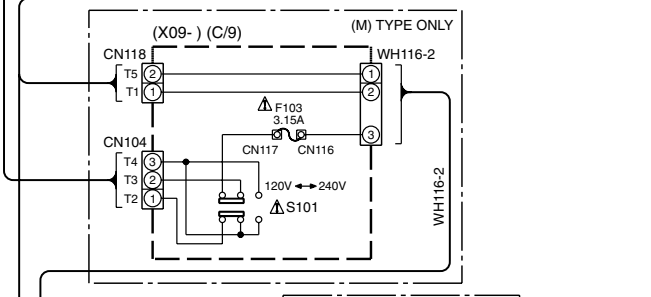
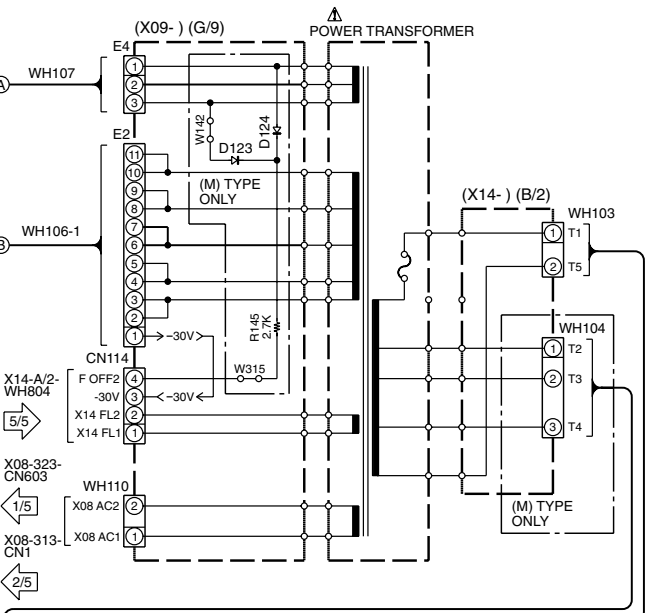
(X09-6740-10/6750-10) (A/9)



- IC105 : BA05T
- IC106 : KIA7812API
- IC107 : KIA7912PI
- IC206 : NJM4565D
- IC301 : \*
- IC401 : \*
- IC607 : NJM2279D
- D113 : RB441Q-40
- D114-116,123,124,215,303,304,308-310,313,315,323,403,404,406-408 : 1S1333 or 406-408 : HSS104A
- D117 : S1ZB20(4101)
- D118 : MTZJ16(B) or HZS16N(B2)
- D119,301,302,401,402 : MTZJ15(B) or HZS15N(B2)
- D120 : D2SBA20F03
- D121,122 : D5SBA20F03
- D305,306 : \*
- D307,311,312,314,316 : MTZJ3.9(B) or HZS3.9N(B2)
- D319 : \*
- D320 : \*
- D602,603 : MTZJ5.6(B) or HZS5.6N(B2)
- Q113,406 : 2SB1640
- Q114,412 : 2SC1740(Q,R) or 2SC2785(F,E)
- Q301-306,317,318,701 : 2SC2878(B)
- Q307,308,316,319,405,801,802 : 2SA992(F,E)
- Q309-315,401,404,407-409,800 : 2SC1845(F,E)
- Q402 : 2SA1535A
- Q403 : 2SC3944A
- Q410,411,803 : UN4219 or DTC113ZSA



BI-1  
L-7  
Z-7



| IC301, 401   | J205        | J206 | J402 | J403 | K101        | Q409 | Q701 | R125 (1/4W) | R132 | R138,139, 440,995,996 | R318,319,353, 422,423 | R320, 424 | R328,329,344, 456,457 | R379, 380 | R432 | R477 | R701, 702 | T101 | W151        | W174 | W321, 397 | W394,395, 405 | WH112 | WH120 |     |
|--------------|-------------|------|------|------|-------------|------|------|-------------|------|-----------------------|-----------------------|-----------|-----------------------|-----------|------|------|-----------|------|-------------|------|-----------|---------------|-------|-------|-----|
| STK-413-220A | E03-0396-05 | NO   | NO   | YES  | S76-0099-05 | YES  | NO   | YES         | 27   | YES                   | YES                   | 680       | 33K                   | 10K       | 1.2K | 2.4K | 2.2K      | NO   | L07-2758-05 | YES  | NO        | YES           | YES   | NO    | NO  |
| STK-413-220A | E03-0396-05 | NO   | NO   | YES  | S76-0099-05 | YES  | NO   | YES         | 27   | YES                   | YES                   | 680       | 33K                   | 10K       | 1.2K | 2.4K | 2.2K      | NO   | L07-2758-05 | YES  | YES       | YES           | YES   | NO    | YES |
| STK-413-220A | E03-0396-05 | NO   | NO   | YES  | S76-0099-05 | YES  | YES  | YES         | 27   | YES                   | YES                   | 680       | 33K                   | 10K       | 1.2K | 680  | 1K        | YES  | L07-2758-05 | YES  | YES       | YES           | NO    | NO    | YES |
| STK-413-220A | E03-0398-05 | NO   | NO   | YES  | S76-0102-05 | YES  | NO   | NO          | 1    | NO                    | YES                   | 820       | 33K                   | 10K       | 1.5K | 3K   | 2.2K      | NO   | L07-2758-05 | YES  | NO        | NO            | YES   | NO    | NO  |
| STK-413-220A | E03-0398-05 | NO   | NO   | YES  | S76-0102-05 | YES  | NO   | YES         | 27   | NO                    | YES                   | 680       | 33K                   | 10K       | 1.2K | 2.4K | 2.2K      | NO   | L07-2805-05 | YES  | NO        | NO            | YES   | NO    | NO  |
| STK-413-220A | NO          | YES  | NO   | YES  | S76-0102-05 | YES  | NO   | NO          | 1    | NO                    | YES                   | 680       | 33K                   | 10K       | 1.2K | 2.4K | 2.2K      | NO   | L07-2758-05 | YES  | NO        | NO            | YES   | NO    | NO  |
| STK-413-220A | E03-0398-05 | NO   | NO   | YES  | S76-0102-05 | YES  | NO   | NO          | 1    | NO                    | YES                   | 820       | 33K                   | 10K       | 1.5K | 820  | 1K        | YES  | L07-2758-05 | YES  | YES       | NO            | NO    | NO    | YES |
| STK-413-220A | E03-0398-05 | NO   | NO   | YES  | S76-0102-05 | YES  | YES  | YES         | 27   | NO                    | YES                   | 680       | 33K                   | 10K       | 1.2K | 680  | 1K        | YES  | L07-2805-05 | YES  | YES       | NO            | NO    | NO    | YES |
| STK-413-220A | NO          | YES  | NO   | YES  | S76-0102-05 | YES  | YES  | NO          | 1    | NO                    | YES                   | 680       | 33K                   | 10K       | 1.2K | 680  | 1K        | YES  | L07-2758-05 | YES  | YES       | NO            | NO    | NO    | YES |

| IC401        | J205        | J206 | J402, 404 | J403 | K101        | Q409 | Q701 | R124 | R125 (1/4W) | R132 | R138,139, 995,996 | R318,319,353, 422,423 | R320, 424 | R328,329,344, 456,457 | R379, 380 | R440,477, 701,702 | T101        | W151,174, 405 | W321, 397 | W394, 395 | WH112 | WH120 |    |    |
|--------------|-------------|------|-----------|------|-------------|------|------|------|-------------|------|-------------------|-----------------------|-----------|-----------------------|-----------|-------------------|-------------|---------------|-----------|-----------|-------|-------|----|----|
| STK-412-220A | E03-0396-05 | NO   | YES       | NO   | S76-0099-05 | NO   | NO   | YES  | 27          | YES  | YES               | 680                   | 33K       | 10K                   | 1.2K      | NO                | L07-2758-05 | NO            | YES       | YES       | YES   | NO    | NO |    |
| STK-412-220A | E03-0398-05 | NO   | YES       | NO   | S76-0102-05 | NO   | NO   | 1    | NO          | YES  | 820               | 33K                   | 10K       | 1.5K                  | NO        | L07-2758-05       | NO          | NO            | YES       | YES       | YES   | NO    | NO |    |
| STK-412-220A | E03-0398-05 | NO   | YES       | NO   | S76-0102-05 | NO   | NO   | YES  | 27          | NO   | YES               | 680                   | 33K       | 10K                   | 1.2K      | NO                | L07-2805-05 | NO            | NO        | YES       | YES   | YES   | NO | NO |
| STK-412-220A | NO          | YES  | YES       | NO   | S76-0102-05 | NO   | NO   | 1    | NO          | YES  | 820               | 33K                   | 10K       | 1.2K                  | NO        | L07-2758-05       | NO          | NO            | YES       | YES       | YES   | NO    | NO |    |
| STK-412-220A | E03-0398-05 | NO   | YES       | NO   | S76-0102-05 | NO   | NO   | 1    | NO          | YES  | 820               | 33K                   | 10K       | 1.5K                  | NO        | L07-2758-05       | NO          | NO            | YES       | YES       | YES   | NO    | NO |    |
| STK-412-220A | E03-0398-05 | NO   | YES       | NO   | S76-0102-05 | NO   | YES  | 27   | NO          | YES  | 680               | 33K                   | 10K       | 1.2K                  | NO        | L07-2805-05       | NO          | NO            | YES       | YES       | YES   | NO    | NO |    |
| STK-442-070  | E03-0398-05 | NO   | YES       | NO   | S76-0102-05 | NO   | NO   | 1    | NO          | NO   | 820               | 10K                   | 22K       | 1.5K                  | NO        | L07-2758-05       | NO          | NO            | YES       | YES       | YES   | NO    | NO |    |
| STK-442-070  | NO          | YES  | YES       | NO   | S76-0102-05 | NO   | NO   | 1    | NO          | NO   | 680               | 10K                   | 22K       | 1.2K                  | NO        | L07-2758-05       | NO          | NO            | YES       | YES       | YES   | NO    | NO |    |

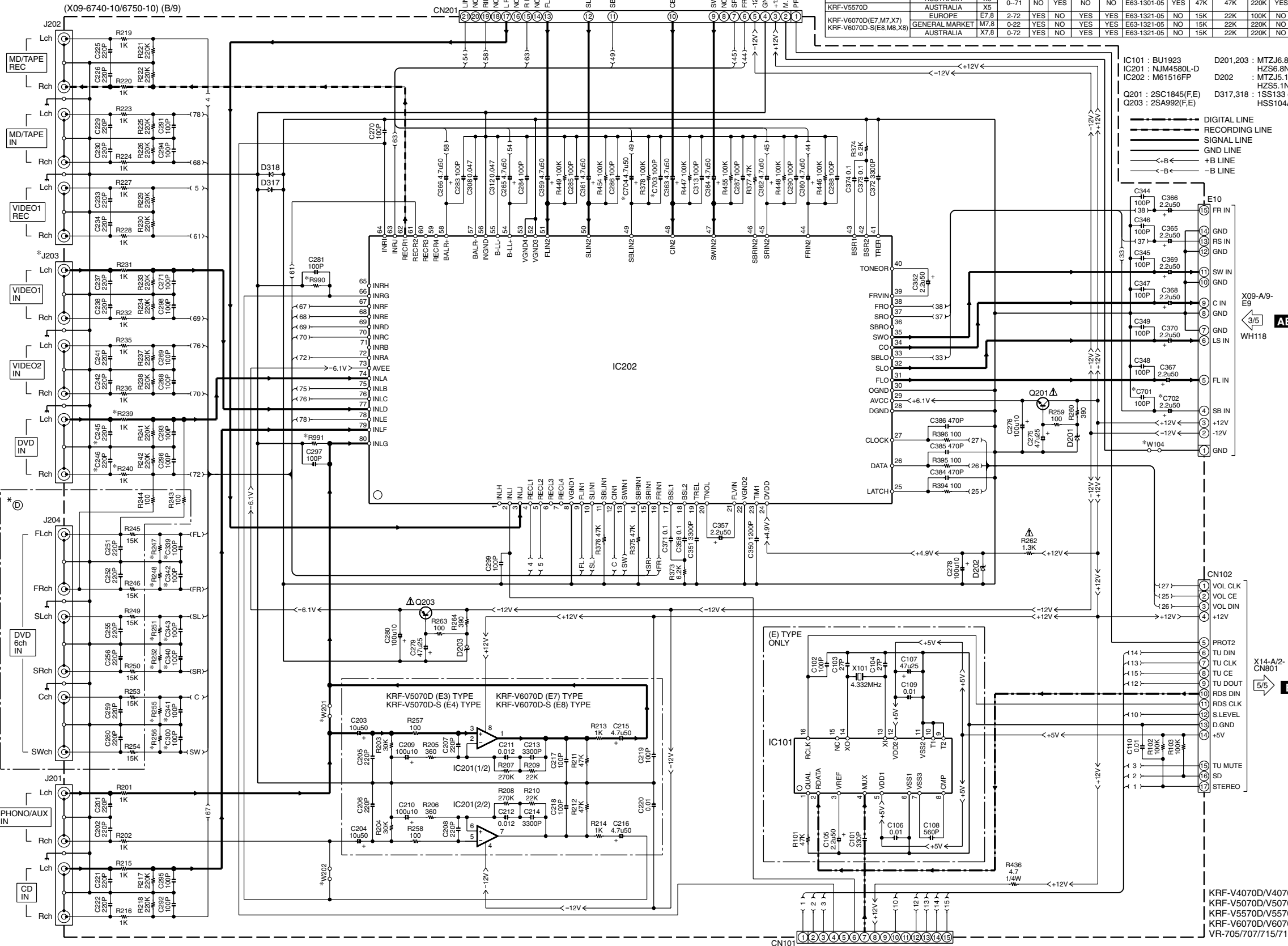
**CAUTION:** For continued safety, replace safety critical components only with manufacturer's recommended parts (refer to parts list).  $\Delta$  indicates safety critical components. For continued protection against risk of fire, replace only with same type and rating fuse(s). To reduce the risk of electric shock, leakage-current or resistance measurements shall be carried out (exposed parts are acceptably insulated from the supply circuit) before the appliance is returned to the customer.

The DC voltage is an actual reading measured with a high impedance type voltmeter with no signal input. The measurement value may vary depending on the measuring instruments used or on the product.

KRF-V4070D/V5070D/V6070D/VR-705/707/715/716

| (X09-6740-10) |                     |      |          |     |           |               |          |             |           |           |                   |           |      |
|---------------|---------------------|------|----------|-----|-----------|---------------|----------|-------------|-----------|-----------|-------------------|-----------|------|
| MODEL NAME    | DESTINATION COUNTRY | ABB. | UNIT No. | Ⓧ   | C245, 246 | C300, 339-343 | C701-704 | J203        | R239, 240 | R247, 248 | R251,252, 255,256 | R990, 991 | W104 |
| VR-705        | U.S.A.              | K1   | 0-10     | NO  | YES       | NO            | NO       | E63-1301-05 | YES       | 47K       | 47K               | 220K      | YES  |
|               | CANADA              | P1   |          |     |           |               |          |             |           |           |                   |           |      |
| KRF-V5070D-S  | EUROPE              | E4   | 2-71     | YES | NO        | YES           | NO       | E63-1321-05 | NO        | 15K       | 22K               | 100K      | YES  |
|               | GENERAL MARKET      | M4   |          |     |           |               |          |             |           |           |                   |           |      |
|               | AUSTRALIA           | X4   |          |     |           |               |          |             |           |           |                   |           |      |
| KRF-V5070D    | EUROPE              | E3   | 2-71     | YES | NO        | YES           | NO       | E63-1321-05 | NO        | 15K       | 22K               | 100K      | YES  |
|               | GENERAL MARKET      | M3   |          |     |           |               |          |             |           |           |                   |           |      |
|               | AUSTRALIA           | X3   |          |     |           |               |          |             |           |           |                   |           |      |
| KRF-V4070D    | EUROPE              | E1   | 2-72     | NO  | YES       | NO            | NO       | E63-1301-05 | YES       | 47K       | 47K               | 220K      | YES  |
| KRF-V4070D-S  | AUSTRALIA           | X2   | 0-72     | NO  | YES       | NO            | NO       | E63-1301-05 | YES       | 47K       | 47K               | 220K      | YES  |

| (X09-6750-10)          |                     |      |          |     |           |               |          |             |           |           |                   |           |      |
|------------------------|---------------------|------|----------|-----|-----------|---------------|----------|-------------|-----------|-----------|-------------------|-----------|------|
| MODEL NAME             | DESTINATION COUNTRY | ABB. | UNIT No. | Ⓧ   | C245, 246 | C300, 339-343 | C701-704 | J203        | R239, 240 | R247, 248 | R251,252, 255,256 | R990, 991 | W104 |
| VR-715                 | U.S.A.              | K3   | 0-10     | YES | NO        | YES           | NO       | E63-1321-05 | NO        | 15K       | 22K               | 220K      | YES  |
|                        | CANADA              | P3   |          |     |           |               |          |             |           |           |                   |           |      |
| VR-716                 | U.S.A.              | K4   | 0-11     | YES | NO        | YES           | NO       | E63-1321-05 | NO        | 15K       | 22K               | 220K      | YES  |
|                        | CANADA              | P4   |          |     |           |               |          |             |           |           |                   |           |      |
| VR-707                 | U.S.A.              | K2   | 0-12     | YES | NO        | YES           | YES      | E63-1321-05 | NO        | 15K       | 22K               | 220K      | NO   |
|                        | EUROPE              | E6   |          |     |           |               |          |             |           |           |                   |           |      |
|                        | GENERAL MARKET      | M6   |          |     |           |               |          |             |           |           |                   |           |      |
| KRF-V5570D-S           | EUROPE              | E6   | 2-71     | NO  | YES       | NO            | NO       | E63-1301-05 | YES       | 47K       | 47K               | 220K      | YES  |
|                        | GENERAL MARKET      | M6   |          |     |           |               |          |             |           |           |                   |           |      |
|                        | AUSTRALIA           | X6   |          |     |           |               |          |             |           |           |                   |           |      |
| KRF-V5570D             | EUROPE              | E7.8 | 2-72     | YES | NO        | YES           | YES      | E63-1321-05 | NO        | 15K       | 22K               | 100K      | NO   |
|                        | AUSTRALIA           | X5   |          |     |           |               |          |             |           |           |                   |           |      |
|                        | GENERAL MARKET      | M7.8 |          |     |           |               |          |             |           |           |                   |           |      |
| KRF-V6070D(E7,M7,X7)   | EUROPE              | E7.8 | 0-22     | YES | NO        | YES           | YES      | E63-1321-05 | NO        | 15K       | 22K               | 220K      | NO   |
|                        | AUSTRALIA           | X8   |          |     |           |               |          |             |           |           |                   |           |      |
|                        | GENERAL MARKET      | M7.8 |          |     |           |               |          |             |           |           |                   |           |      |
| KRF-V6070D-S(E8,M8,X8) | EUROPE              | E7.8 | 0-22     | YES | NO        | YES           | YES      | E63-1321-05 | NO        | 15K       | 22K               | 220K      | NO   |
|                        | AUSTRALIA           | X7.8 |          |     |           |               |          |             |           |           |                   |           |      |



IC101 : BU1923  
 IC201 : NJM4580L-D  
 IC202 : M61516FP

D201,203 : MTZJ6.8(B) or HZS6.8N(B2)  
 D202 : MTZJ5.1(B) or HZS5.1N(B2)  
 D317,318 : 1SS133 or HSS104A

Q201 : 2SC1845(FE)  
 Q203 : 2SA992(FE)

--- DIGITAL LINE  
 --- RECORDING LINE  
 --- SIGNAL LINE  
 --- GND LINE  
 --- +B LINE  
 --- -B LINE

X09-A/9-E9  
 WH118

AE-4

BI-3

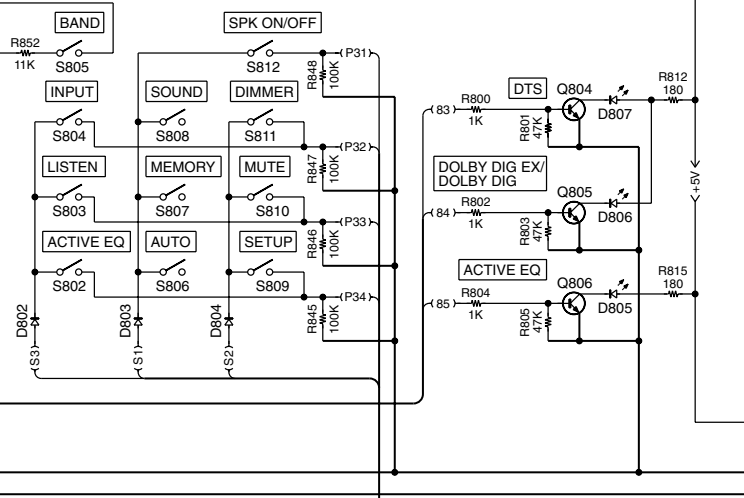
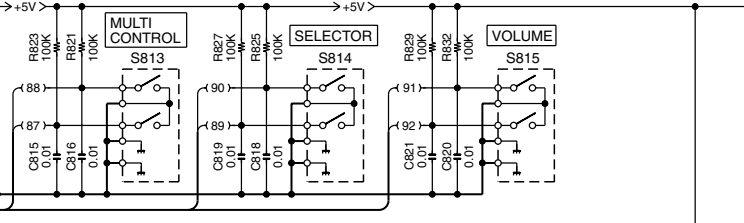
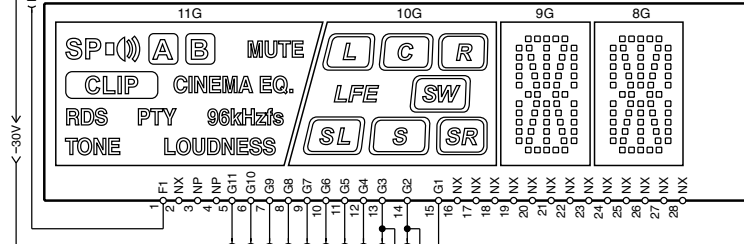
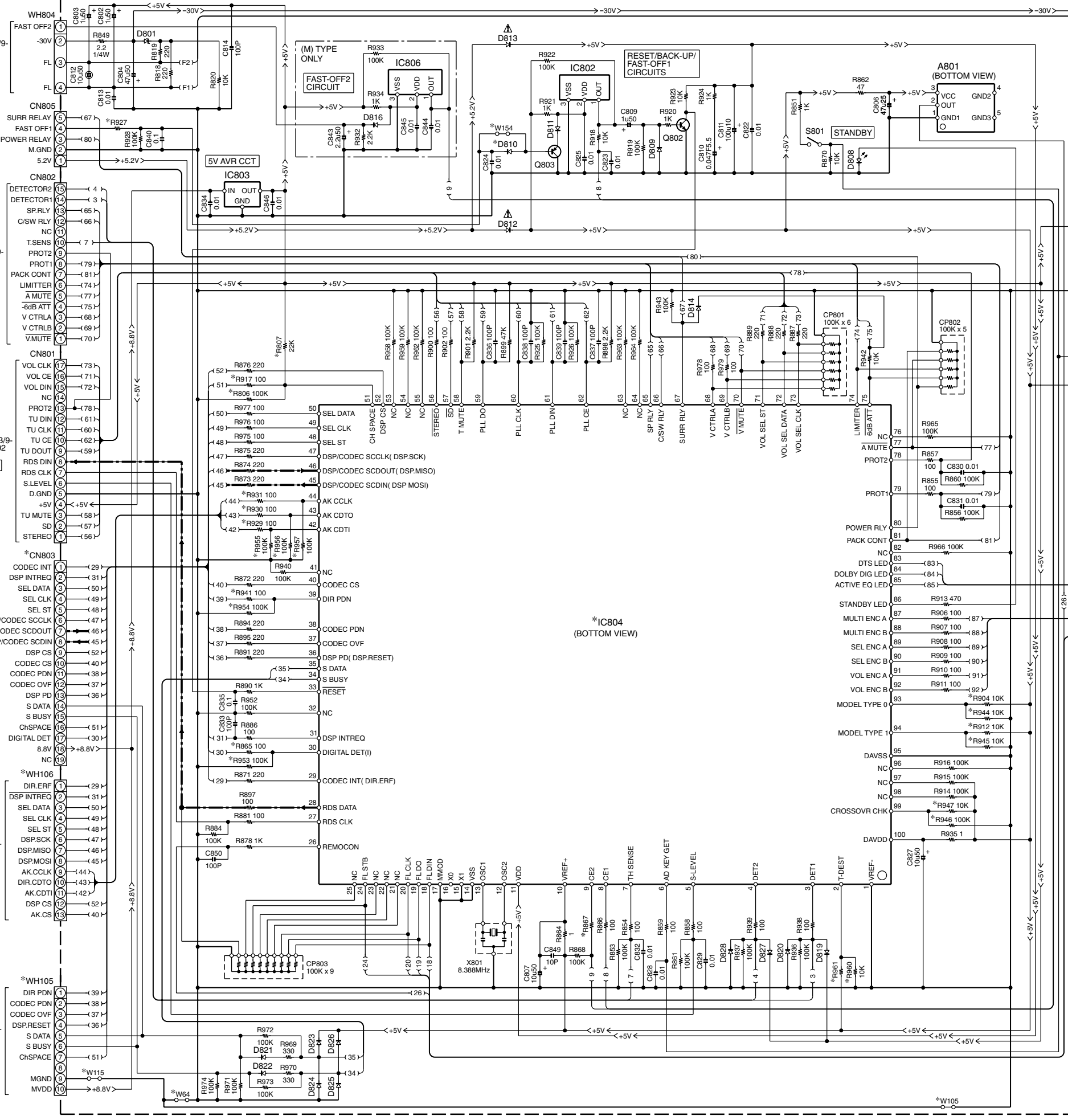
X14-A/2-CN801

KRF-V4070D/V4070D-S (4/5)  
 KRF-V5070D/V5070D-S (4/5)  
 KRF-V5570D/V5570D-S (4/5)  
 KRF-V6070D/V6070D-S (4/5)  
 VR-705/707/715/716 (4/5)

**CAUTION:** For continued safety, replace safety critical components only with manufacturer's recommended parts (refer to parts list).  $\Delta$  indicates safety critical components. For continued protection against risk of fire, replace only with same type and rating fuse(s). To reduce the risk of electric shock, leakage-current or resistance measurements shall be carried out (exposed parts are acceptably insulated from the supply circuit) before the appliance is returned to the customer.

The DC voltage is an actual reading measured with a high impedance type voltmeter with no signal input. The measurement value may vary depending on the measuring instruments used or on the product.

KRF-V4070D/V5070D/V6070D/VR-705/707/715/716



(X14-7650-10)

| MODEL NAME   | DESTINATION COUNTRY | ABB. | UNIT No. | (A) | CN803 | D810 | IC804       | R806 | R807, 917 | R865, 954-957 | R867 |
|--------------|---------------------|------|----------|-----|-------|------|-------------|------|-----------|---------------|------|
| KRF-V4070D   | EUROPE              | E1   | 2-73     | NO  | YES   | NO   | MN101C49KLE | YES  | NO        | YES           | 100  |
| KRF-V4070D-S | AUSTRALIA           | X2   | 0-73     | NO  | YES   | NO   | MN101C49KLE | YES  | NO        | YES           | 100  |
| KRF-V5570D   | EUROPE              | E2   | 2-72     | NO  | YES   | NO   | MN101C49KLE | YES  | NO        | YES           | 100  |
| KRF-V5570D-S | AUSTRALIA           | X5   | 0-72     | NO  | YES   | NO   | MN101C49KLE | YES  | NO        | YES           | 100  |
| KRF-V5070D   | EUROPE              | E3   | 2-71     | NO  | YES   | NO   | MN101C49KLE | YES  | NO        | YES           | 100  |
| KRF-V5070D-S | AUSTRALIA           | X4   | 0-71     | NO  | YES   | NO   | MN101C49KLE | YES  | NO        | YES           | 100  |
| VR-705       | U.S.A.              | K1   | 0-10     | NO  | YES   | YES  | MN101C49KLE | YES  | NO        | YES           | 100  |
| VR-715       | U.S.A.              | K3   | 0-11     | NO  | YES   | YES  | MN101C49KLE | YES  | NO        | YES           | 100  |

(X14-7660-10)

| MODEL NAME             | DESTINATION COUNTRY | ABB. | UNIT No. | (A) | CN803 | D810 | IC804       | R806 | R807, 917 |     |
|------------------------|---------------------|------|----------|-----|-------|------|-------------|------|-----------|-----|
| KRF-V6070D(M7,E7,X7)   | EUROPE              | E7,8 | 2-71     | NO  | NO    | NO   | MN101C49GGR | YES  | NO        | YES |
| KRF-V6070D-S(M8,E8,X8) | AUSTRALIA           | X7,8 | 0-71     | NO  | NO    | NO   | MN101C49GGR | YES  | NO        | YES |
| VR-707                 | U.S.A.              | K2   | 0-10     | NO  | NO    | NO   | MN101C49GGR | YES  | NO        | YES |
| VR-716                 | U.S.A.              | K4   | 0-11     | NO  | YES   | YES  | MN101C49KLE | YES  | NO        | YES |

IC801 : MN12510F D801 : MTZJ6.2(B) or RD6.2ES(B)  
 IC802, 806 : S-80840CNY D802-804, 809-811, 814, 816, 819-828 : 1SS133 or HSS104A  
 IC803 : XC6202P502TH  
 IC804 : \*  
 Q802, 804-807 : 2SC1740S(Q,R) or 2SC2785(F,E) D805-808 : B30-2545-05  
 Q803 : 2SA933AS(Q,R) or 2SA1175(F,E) D812, 813 : RB441Q-40

KRF-V4070D/V4070D-S (5/5)  
 KRF-V5070D/V5070D-S (5/5)  
 KRF-V5570D/V5570D-S (5/5)  
 KRF-V6070D/V6070D-S (5/5)  
 VR-705/707/715/716 (5/5)

AS-4

AP-5

AQ-5

BF-5

L-5

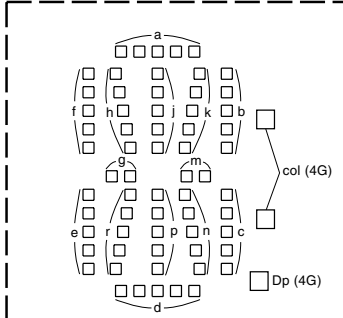
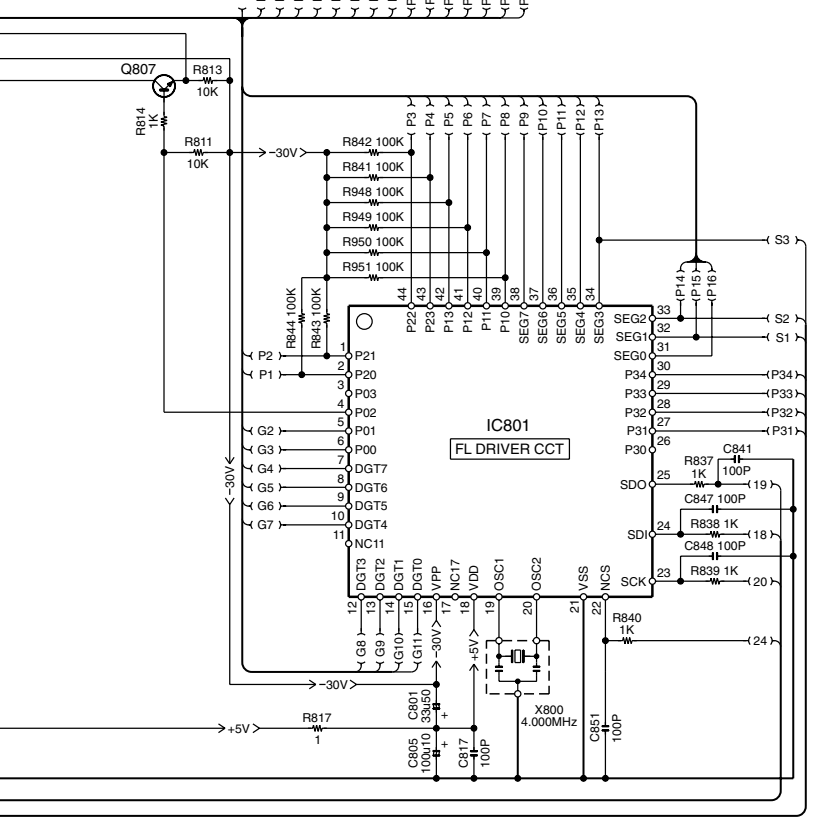
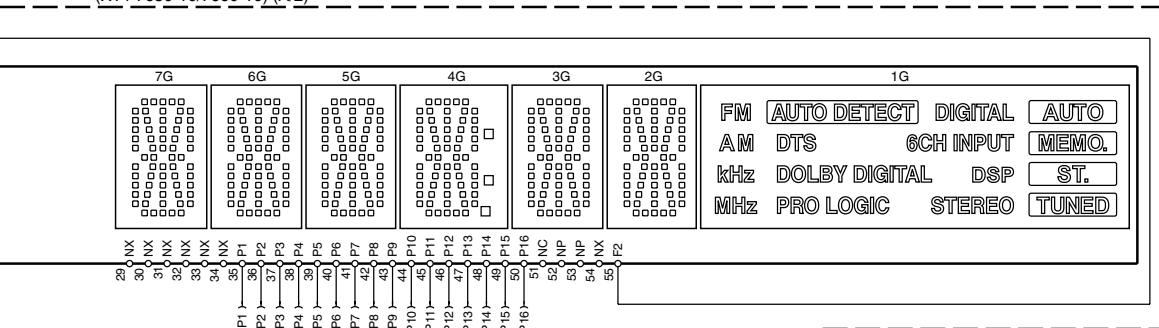
P-5

P-4

1  
2  
3  
4  
5  
6  
7



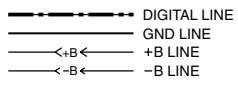
(X14-7650-10/7660-10) (A/2)



|     |            |      |    |    |    |    |    |    |    |    |               |
|-----|------------|------|----|----|----|----|----|----|----|----|---------------|
|     | 11G        | 10G  | 9G | 8G | 7G | 6G | 5G | 4G | 3G | 2G | 1G            |
| P1  | SP1        | L    | a  | a  | a  | a  | a  | a  | a  | a  | FM            |
| P2  | A          | C    | j  | j  | j  | j  | j  | j  | j  | j  | AM            |
| P3  | B          | R    | h  | h  | h  | h  | h  | h  | h  | h  | MHz           |
| P4  | MUTE       | SL   | k  | k  | k  | k  | k  | k  | k  | k  | kHz           |
| P5  | CLIP       | S    | b  | b  | b  | b  | b  | b  | b  | b  | AUTO          |
| P6  | CINEMA EQ. | SR   | f  | f  | f  | f  | f  | f  | f  | f  | MEMO.         |
| P7  | -          | LFE  | g  | g  | g  | g  | g  | g  | g  | g  | ST.           |
| P8  | -          | SW   | m  | m  | m  | m  | m  | m  | m  | m  | TUNED         |
| P9  | RDS        | (L)  | c  | c  | c  | c  | c  | c  | c  | c  | AUTO DETECT   |
| P10 | PTY        | (C)  | e  | e  | e  | e  | e  | e  | e  | e  | DTS           |
| P11 | 96kHz      | (R)  | r  | r  | r  | r  | r  | r  | r  | r  | DOLBY DIGITAL |
| P12 | TOPE       | (SL) | n  | n  | n  | n  | n  | n  | n  | n  | PRO LOGIC     |
| P13 | LOUDNESS   | (S)  | p  | p  | p  | p  | p  | p  | p  | p  | DIGITAL       |
| P14 | -          | (SR) | d  | d  | d  | d  | d  | d  | d  | d  | GCH INPUT     |
| P15 | -          | (SW) | -  | -  | -  | -  | -  | -  | -  | -  | DSP           |
| P16 | -          | -    | -  | -  | -  | -  | -  | -  | -  | -  | STEREO        |

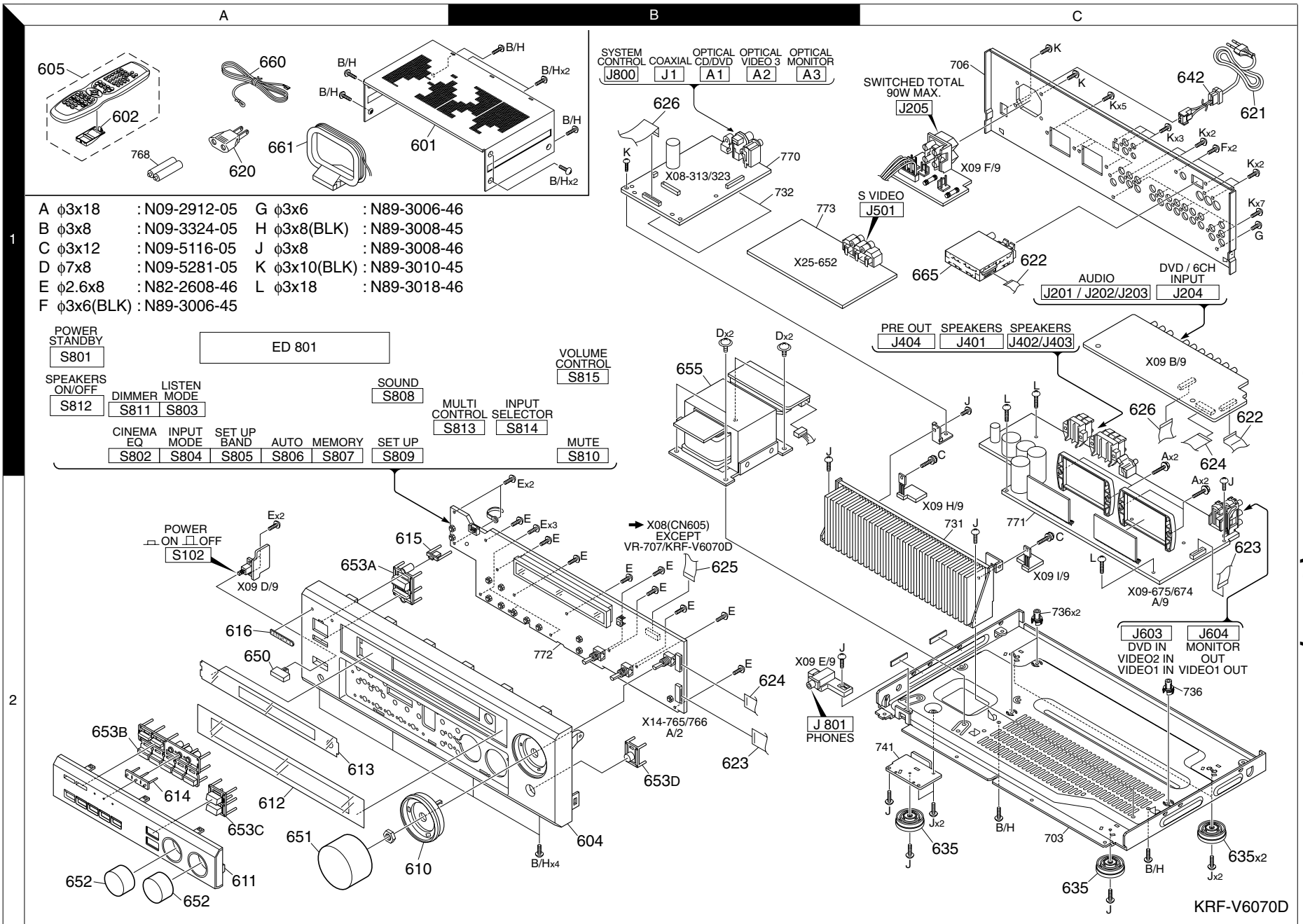
|      |      |      |                    |      |      |      |      |      |      |     |           |      |            |
|------|------|------|--------------------|------|------|------|------|------|------|-----|-----------|------|------------|
| R904 | R912 | R927 | R929-931, 941, 953 | R944 | R945 | R946 | R947 | R960 | R961 | W64 | W105, 115 | W154 | WH105, 106 |
| YES  | NO   | 150K | NO                 | NO   | YES  | YES  | NO   | NO   | 10K  | YES | NO        | YES  | NO         |
| YES  | NO   | 160K | NO                 | NO   | YES  | YES  | NO   | YES  | 30K  | YES | NO        | YES  | NO         |
| NO   | NO   | 160K | NO                 | YES  | YES  | YES  | NO   | YES  | 30K  | YES | NO        | YES  | NO         |
| NO   | NO   | 62K  | NO                 | YES  | YES  | YES  | NO   | YES  | 10K  | YES | NO        | NO   | NO         |
| NO   | NO   | 150K | NO                 | YES  | YES  | YES  | NO   | NO   | 10K  | YES | NO        | YES  | NO         |
| YES  | YES  | 62K  | NO                 | NO   | NO   | YES  | NO   | YES  | 10K  | YES | NO        | NO   | NO         |
| YES  | YES  | 150K | NO                 | NO   | NO   | YES  | NO   | NO   | 10K  | YES | NO        | YES  | NO         |
| YES  | YES  | 62K  | NO                 | NO   | NO   | YES  | NO   | YES  | 10K  | YES | NO        | NO   | NO         |
| YES  | YES  | 150K | NO                 | NO   | NO   | YES  | NO   | NO   | 10K  | YES | NO        | YES  | NO         |
| YES  | YES  | 160K | NO                 | NO   | NO   | YES  | NO   | YES  | 30K  | YES | NO        | YES  | NO         |
| YES  | YES  | 56K  | NO                 | NO   | NO   | YES  | NO   | YES  | NO   | YES | NO        | NO   | NO         |
| NO   | NO   | 56K  | NO                 | YES  | YES  | NO   | YES  | YES  | NO   | YES | NO        | NO   | NO         |

|               |      |      |      |      |                    |      |      |      |      |      |      |     |           |      |            |
|---------------|------|------|------|------|--------------------|------|------|------|------|------|------|-----|-----------|------|------------|
| R865, 954-957 | R867 | R904 | R912 | R927 | R929-931, 941, 953 | R944 | R945 | R946 | R947 | R960 | R961 | W64 | W105, 115 | W154 | WH105, 106 |
| NO            | 100K | NO   | NO   | 62K  | YES                | YES  | YES  | YES  | NO   | YES  | 10K  | NO  | YES       | NO   | YES        |
| NO            | 100  | NO   | NO   | 150K | YES                | YES  | YES  | YES  | NO   | NO   | 10K  | NO  | YES       | YES  | YES        |
| NO            | 100  | NO   | NO   | 160K | YES                | YES  | YES  | YES  | NO   | YES  | 30K  | NO  | YES       | YES  | YES        |
| NO            | 100  | NO   | NO   | 56K  | YES                | YES  | YES  | NO   | YES  | YES  | NO   | NO  | YES       | NO   | YES        |
| YES           | 100  | NO   | YES  | 56K  | NO                 | YES  | NO   | NO   | YES  | YES  | NO   | NO  | YES       | NO   | NO         |



**CAUTION:** For continued safety, replace safety critical components only with manufacturer's recommended parts (refer to parts list).  $\Delta$  indicates safety critical components. For continued protection against risk of fire, replace only with same type and rating fuse(s). To reduce the risk of electric shock, leakage-current or resistance measurements shall be carried out (exposed parts are acceptably insulated from the supply circuit) before the appliance is returned to the customer.

The DC voltage is an actual reading measured with a high impedance type voltmeter with no signal input. The measurement value may vary depending on the measuring instruments used or on the product.



**KRF-V4070D/V5070D/V6070D/NR-70517071715/716**  
**EXPLODED VIEW (UNIT)**

\* New Parts  
Parts without **Parts No.** are not supplied.  
Les articles non mentionnés dans le **Parts No.** ne sont pas fournis.  
Teile ohne **Parts No.** werden nicht geliefert.

①

| Ref. No              | Add-ress | New Parts | Parts No.   | Description                   | Desti-nation | Re-marks |
|----------------------|----------|-----------|-------------|-------------------------------|--------------|----------|
| <b>MISCELLANEOUS</b> |          |           |             |                               |              |          |
| 601                  | 1A       |           | A01-3844-01 | METALLIC CABINET              | E1           |          |
| 601                  | 1A       |           | A01-3844-01 | METALLIC CABINET              | E3           |          |
| 601                  | 1A       |           | A01-3844-01 | METALLIC CABINET              | K1P1M3       |          |
| 601                  | 1A       |           | A01-3844-01 | METALLIC CABINET              | K3P3X5       |          |
| 601                  | 1A       |           | A01-3844-01 | METALLIC CABINET              | K4P4         |          |
| 601                  | 1A       |           | A01-3848-01 | METALLIC CABINET              | M4X4E4       |          |
| 601                  | 1A       |           | A01-3848-01 | METALLIC CABINET              | M6X6E6       |          |
| 601                  | 1A       |           | A01-3848-01 | METALLIC CABINET              | X2E2         |          |
| 601                  | 1A       | *         | A01-3885-01 | METALLIC CABINET              | 7            |          |
| 601                  | 1A       |           | A01-3892-01 | METALLIC CABINET              | K5P5         |          |
| 601                  | 1A       | *         | A01-3892-01 | METALLIC CABINET              | K6P6         |          |
| 602                  | 1A       |           | A09-1178-08 | BATTERY COVER                 | K3P3M6       |          |
| 602                  | 1A       |           | A09-1178-08 | BATTERY COVER                 | K6P6         |          |
| 602                  | 1A       |           | A09-1178-08 | BATTERY COVER                 | X5X6E6       |          |
| 602                  | 1A       |           | A09-1178-08 | BATTERY COVER                 | 45K5P5       |          |
| 602                  | 1A       |           | A09-1274-08 | BATTERY COVER                 | K4P4         |          |
| 602                  | 1A       |           | A09-1274-08 | BATTERY COVER                 | 7            |          |
| 604                  | 2B       |           | A60-2186-11 | PANEL                         | K1K2K3       |          |
| 604                  | 2B       |           | A60-2186-11 | PANEL                         | K4P1P2       |          |
| 604                  | 2B       |           | A60-2186-11 | PANEL                         | P3P4         |          |
| 604                  | 2B       | *         | A60-2190-21 | PANEL                         | E1           |          |
| 604                  | 2B       | *         | A60-2190-21 | PANEL                         | M3E3         |          |
| 604                  | 2B       | *         | A60-2190-21 | PANEL                         | M7X7E7       |          |
| 604                  | 2B       | *         | A60-2190-21 | PANEL                         | X5           |          |
| 604                  | 2B       | *         | A60-2191-11 | PANEL                         | M4X4E4       |          |
| 604                  | 2B       |           | A60-2191-11 | PANEL                         | M6X6E6       |          |
| 604                  | 2B       |           | A60-2191-11 | PANEL                         | M8X8E8       |          |
| 604                  | 2B       |           | A60-2191-11 | PANEL                         | X2E2         |          |
| 604                  | 2B       | *         | A60-2335-01 | PANEL                         | K5P5         |          |
| 604                  | 2B       | *         | A60-2335-01 | PANEL                         | K6P6         |          |
| 605                  | 1A       | *         | A70-1611-05 | REMOTE CONTROLLER ASSY        | K3P3         |          |
| 605                  | 1A       | *         | A70-1611-05 | REMOTE CONTROLLER ASSY        | K5P5         |          |
| 605                  | 1A       | *         | A70-1611-05 | REMOTE CONTROLLER ASSY        | M3M4X4       |          |
| 605                  | 1A       | *         | A70-1612-05 | REMOTE CONTROLLER ASSY        | K1P1         |          |
| 605                  | 1A       | *         | A70-1612-05 | REMOTE CONTROLLER ASSY        | K6P6         |          |
| 605                  | 1A       | *         | A70-1612-05 | REMOTE CONTROLLER ASSY        | M6X5X6       |          |
| 605                  | 1A       | *         | A70-1612-05 | REMOTE CONTROLLER ASSY        | X2           |          |
| 605                  | 1A       | *         | A70-1613-05 | REMOTE CONTROLLER ASSY        | E3E4         |          |
| 605                  | 1A       | *         | A70-1614-05 | REMOTE CONTROLLER ASSY        | E1E2         |          |
| 605                  | 1A       | *         | A70-1614-05 | REMOTE CONTROLLER ASSY        | E6           |          |
| 605                  | 1A       | *         | A70-1617-05 | REMOTE CONTROLLER ASSY        | K2P2M7       |          |
| 605                  | 1A       | *         | A70-1617-05 | REMOTE CONTROLLER ASSY        | K4P4         |          |
| 605                  | 1A       | *         | A70-1617-05 | REMOTE CONTROLLER ASSY        | M8X7X8       |          |
| 605                  | 1A       | *         | A70-1618-05 | REMOTE CONTROLLER ASSY        | E7E8         |          |
| -                    |          | *         | B60-5330-00 | INSTRUCTION MANUAL(EN)        | K2P2M7       |          |
| -                    |          | *         | B60-5330-00 | INSTRUCTION MANUAL(EN)        | M8X7X8       |          |
| -                    |          | *         | B60-5331-00 | INSTRUCTION MANUAL(FR)        | P2           |          |
| -                    |          | *         | B60-5332-00 | INSTRUCTION MANUAL(N/S/F/G/I) | E7E8         |          |
| -                    |          | *         | B60-5333-00 | INSTRUCTION MANUAL(ES/TC)     | M8           |          |
| -                    |          | *         | B60-5335-00 | INSTRUCTION MANUAL(EN)        | K4P4         |          |
| -                    |          | *         | B60-5336-00 | INSTRUCTION MANUAL(FR)        | P4           |          |
| -                    |          | *         | B60-5337-00 | INSTRUCTION MANUAL(EN)        | K1P1M3       |          |
| -                    |          | *         | B60-5337-00 | INSTRUCTION MANUAL(EN)        | K3P3M6       |          |

L : Scandinavia    K : USA    P : Canada    R : Mexico    C : China    I : Malaysia  
Y : PX(Far East,Hawaii)    T : England    E : Europe    G : Germany    V : China(Shanghai)  
Y : AAFES(Europe)    X : Australia    Q : Russia    H : Korea    M : Other Areas    Δ indicates safety critical components.

\* New Parts  
Parts without **Parts No.** are not supplied.  
Les articles non mentionnés dans le **Parts No.** ne sont pas fournis.  
Teile ohne **Parts No.** werden nicht geliefert.

②

| Ref. No | Add-ress | New Parts | Parts No.   | Description                   | Desti-nation | Re-marks |
|---------|----------|-----------|-------------|-------------------------------|--------------|----------|
| -       |          | *         | B60-5337-00 | INSTRUCTION MANUAL(EN)        | K5P5         |          |
| -       |          | *         | B60-5337-00 | INSTRUCTION MANUAL(EN)        | K6P6         |          |
| -       |          | *         | B60-5337-00 | INSTRUCTION MANUAL(EN)        | X2X4M4       |          |
| -       |          | *         | B60-5337-00 | INSTRUCTION MANUAL(EN)        | X5X6         |          |
| -       |          | *         | B60-5338-00 | INSTRUCTION MANUAL(FR)        | P1P3P5       |          |
| -       |          | *         | B60-5338-00 | INSTRUCTION MANUAL(FR)        | P6           |          |
| -       |          | *         | B60-5339-00 | INSTRUCTION MANUAL(N/S/F/G/I) | E1E2         |          |
| -       |          | *         | B60-5339-00 | INSTRUCTION MANUAL(N/S/F/G/I) | E3E4         |          |
| -       |          | *         | B60-5339-00 | INSTRUCTION MANUAL(N/S/F/G/I) | E6           |          |
| -       |          | *         | B60-5340-00 | INSTRUCTION MANUAL(ES/TC)     | M4M6         |          |
| 610     | 2A       |           | B07-2606-03 | ESCUTCHEON                    | E1           |          |
| 610     | 2A       |           | B07-2606-03 | ESCUTCHEON                    | E3           |          |
| 610     | 2A       |           | B07-2606-03 | ESCUTCHEON                    | K1P1M3       |          |
| 610     | 2A       |           | B07-2606-03 | ESCUTCHEON                    | K2P2M7       |          |
| 610     | 2A       |           | B07-2606-03 | ESCUTCHEON                    | K3P3X5       |          |
| 610     | 2A       |           | B07-2606-03 | ESCUTCHEON                    | K4P4         |          |
| 610     | 2A       |           | B07-2606-03 | ESCUTCHEON                    | X7E7         |          |
| 610     | 2A       |           | B07-2607-03 | ESCUTCHEON                    | K5P5         |          |
| 610     | 2A       |           | B07-2607-03 | ESCUTCHEON                    | K6P6         |          |
| 610     | 2A       |           | B07-2607-03 | ESCUTCHEON                    | M4X4E4       |          |
| 610     | 2A       |           | B07-2607-03 | ESCUTCHEON                    | M6X6E6       |          |
| 610     | 2A       |           | B07-2607-03 | ESCUTCHEON                    | M8X8E8       |          |
| 610     | 2A       |           | B07-2607-03 | ESCUTCHEON                    | X2E2         |          |
| 611     | 2A       | *         | B07-2659-01 | ESCUTCHEON                    | K2P2M7       |          |
| 611     | 2A       | *         | B07-2659-01 | ESCUTCHEON                    | X7E7         |          |
| 611     | 2A       | *         | B07-2660-01 | ESCUTCHEON                    | M8X8E8       |          |
| 611     | 2A       | *         | B07-2662-01 | ESCUTCHEON                    | E1           |          |
| 611     | 2A       | *         | B07-2662-01 | ESCUTCHEON                    | E3           |          |
| 611     | 2A       | *         | B07-2662-01 | ESCUTCHEON                    | K1P1M3       |          |
| 611     | 2A       | *         | B07-2662-01 | ESCUTCHEON                    | K3P3X5       |          |
| 611     | 2A       | *         | B07-2662-01 | ESCUTCHEON                    | K4P4         |          |
| 611     | 2A       | *         | B07-2663-01 | ESCUTCHEON                    | K5P5         |          |
| 611     | 2A       | *         | B07-2663-01 | ESCUTCHEON                    | K6P6         |          |
| 611     | 2A       | *         | B07-2663-01 | ESCUTCHEON                    | M4X4E4       |          |
| 611     | 2A       | *         | B07-2663-01 | ESCUTCHEON                    | M6X6E6       |          |
| 611     | 2A       | *         | B07-2663-01 | ESCUTCHEON                    | X2E2         |          |
| 612     | 2A       | *         | B10-3906-02 | FRONT GLASS                   | K2P2         |          |
| 612     | 2A       | *         | B10-3907-02 | FRONT GLASS                   | M7M8X7       |          |
| 612     | 2A       | *         | B10-3907-02 | FRONT GLASS                   | X8           |          |
| 612     | 2A       | *         | B10-3908-02 | FRONT GLASS                   | E7E8         |          |
| 612     | 2A       | *         | B10-3909-02 | FRONT GLASS                   | K1P1         |          |
| 612     | 2A       | *         | B10-3909-02 | FRONT GLASS                   | K6P6         |          |
| 612     | 2A       | *         | B10-3910-02 | FRONT GLASS                   | M3M4X4       |          |
| 612     | 2A       | *         | B10-3911-02 | FRONT GLASS                   | E3E4         |          |
| 612     | 2A       | *         | B10-3912-02 | FRONT GLASS                   | E1E2         |          |
| 612     | 2A       | *         | B10-3913-02 | FRONT GLASS                   | X2           |          |
| 612     | 2A       | *         | B10-3914-02 | FRONT GLASS                   | K3P3         |          |
| 612     | 2A       | *         | B10-3914-02 | FRONT GLASS                   | K5P5         |          |
| 612     | 2A       | *         | B10-3915-02 | FRONT GLASS                   | M6X5X6       |          |
| 612     | 2A       | *         | B10-3916-02 | FRONT GLASS                   | E6           |          |
| 612     | 2A       | *         | B10-3917-02 | FRONT GLASS                   | K4P4         |          |
| 613     | 2A       | *         | B11-1568-03 | COLOR FILTER                  |              |          |
| 614     | 2A       |           | B12-0448-04 | INDICATOR                     |              |          |
| 615     | 2A       |           | B12-0465-04 | INDICATOR                     |              |          |
| 616     | 2A       |           | B43-0314-04 | KENWOOD BADGE                 |              |          |

L : Scandinavia    K : USA    P : Canada    R : Mexico    C : China    I : Malaysia  
Y : PX(Far East,Hawaii)    T : England    E : Europe    G : Germany    V : China(Shanghai)  
Y : AAFES(Europe)    X : Australia    Q : Russia    H : Korea    M : Other Areas    Δ indicates safety critical components.

\* New Parts  
 Parts without **Parts No.** are not supplied.  
 Les articles non mentionnés dans le **Parts No.** ne sont pas fournis.  
 Teile ohne **Parts No.** werden nicht geliefert.

3

\* New Parts  
 Parts without **Parts No.** are not supplied.  
 Les articles non mentionnés dans le **Parts No.** ne sont pas fournis.  
 Teile ohne **Parts No.** werden nicht geliefert.

4

| Ref. No | Add-ress | New Parts | Parts No.   | Description                   | Desti-nation | Re-marks |
|---------|----------|-----------|-------------|-------------------------------|--------------|----------|
| 620     | 1A       |           | E03-0115-05 | AC PLUG ADAPTER               | M            |          |
| 621     | 1C       |           | E30-2717-05 | AC POWER CORD                 | X            |          |
| 621     | 1C       |           | E30-2941-05 | AC POWER CORD                 | KP           |          |
| 621     | 1C       |           | E30-2942-05 | AC POWER CORD                 | EM           |          |
| 622     | 1C       |           | E35-2643-05 | FLAT CABLE 15P,120            |              |          |
| 623     | 2B,2C    |           | E35-2792-05 | FLAT CABLE 15P,220            |              |          |
| 624     | 2B,1C    |           | E35-3306-15 | FLAT CABLE 17P,260            |              |          |
| 625     | 2B       | *         | E35-3468-05 | FLAT CABLE 19P,588            | 456          |          |
| 626     | 1B,1C    | *         | E35-3469-05 | FLAT CABLE 21P,258            | 456          |          |
| 626     | 1B,1C    | *         | E35-3470-05 | FLAT CABLE                    | 7            |          |
| -       |          |           | H10-7804-01 | POLYSTYRENE FOAMED FIXTURE    |              |          |
| -       |          |           | H10-7805-01 | POLYSTYRENE FOAMED FIXTURE    |              |          |
| -       |          |           | H10-7858-04 | POLYSTYRENE FOAMED FIXTURE    | K4P4         |          |
| -       |          |           | H10-7858-04 | POLYSTYRENE FOAMED FIXTURE    | 7            |          |
| -       |          | *         | H12-3625-04 | PACKING FIXTURE               | K4P4         |          |
| -       |          | *         | H12-3625-04 | PACKING FIXTURE               | 7            |          |
| -       |          |           | H21-1515-04 | PROTECTION SHEET              | 456          |          |
| -       |          |           | H25-0232-04 | PROTECTION BAG (235X350X0.03) |              |          |
| -       |          |           | H25-0391-04 | PROTECTION BAG                |              |          |
| -       |          | *         | H50-4731-04 | ITEM CARTON CASE              | K2P2         |          |
| -       |          | *         | H50-4732-04 | ITEM CARTON CASE              | M7           |          |
| -       |          | *         | H50-4733-04 | ITEM CARTON CASE              | M8           |          |
| -       |          | *         | H50-4734-04 | ITEM CARTON CASE              | X7           |          |
| -       |          | *         | H50-4735-04 | ITEM CARTON CASE              | X8           |          |
| -       |          | *         | H50-4736-04 | ITEM CARTON CASE              | E7           |          |
| -       |          | *         | H50-4737-04 | ITEM CARTON CASE              | E8           |          |
| -       |          | *         | H50-4738-04 | ITEM CARTON CASE              | K1P1         |          |
| -       |          | *         | H50-4739-04 | ITEM CARTON CASE              | M3           |          |
| -       |          | *         | H50-4740-04 | ITEM CARTON CASE              | M4           |          |
| -       |          | *         | H50-4741-04 | ITEM CARTON CASE              | X4           |          |
| -       |          | *         | H50-4742-04 | ITEM CARTON CASE              | E3           |          |
| -       |          | *         | H50-4743-04 | ITEM CARTON CASE              | E4           |          |
| -       |          | *         | H50-4744-04 | ITEM CARTON CASE              | E1           |          |
| -       |          | *         | H50-4745-04 | ITEM CARTON CASE              | E2           |          |
| -       |          | *         | H50-4746-04 | ITEM CARTON CASE              | X2           |          |
| -       |          | *         | H50-4747-04 | ITEM CARTON CASE              | K3P3         |          |
| -       |          | *         | H50-4748-04 | ITEM CARTON CASE              | M6           |          |
| -       |          | *         | H50-4749-04 | ITEM CARTON CASE              | X5           |          |
| -       |          | *         | H50-4750-04 | ITEM CARTON CASE              | X6           |          |
| -       |          | *         | H50-4751-04 | ITEM CARTON CASE              | E6           |          |
| -       |          | *         | H50-4752-04 | ITEM CARTON CASE              | K4P4         |          |
| -       |          | *         | H50-4781-04 | ITEM CARTON CASE              | K6P6         |          |
| -       |          | *         | H50-4782-04 | ITEM CARTON CASE              | K5P5         |          |
| -       |          |           | J61-0307-05 | WIRE BAND                     |              |          |
| 635     | 2C       |           | J02-1464-03 | FOOT                          |              |          |
| 642     | 1C       |           | J42-0349-05 | POWER CORD BUSHING            |              |          |
| 650     | 2A       |           | K27-2384-04 | KNOB (BUTTON)                 | E1           |          |
| 650     | 2A       |           | K27-2384-04 | KNOB (BUTTON)                 | M3E3         |          |
| 650     | 2A       |           | K27-2384-04 | KNOB (BUTTON)                 | M7X7E7       |          |
| 650     | 2A       |           | K27-2384-04 | KNOB (BUTTON)                 | X5           |          |
| 650     | 2A       |           | K27-2481-04 | KNOB (BUTTON)                 | M4X4E4       |          |
| 650     | 2A       |           | K27-2481-04 | KNOB (BUTTON)                 | M6X6E6       |          |
| 650     | 2A       |           | K27-2481-04 | KNOB (BUTTON)                 | M8X8E8       |          |
| 650     | 2A       |           | K27-2481-04 | KNOB (BUTTON)                 | X2E2         |          |

L : Scandinavia K : USA P : Canada R : Mexico C : China I : Malaysia  
 Y : PX(Far East,Hawaii) T : England E : Europe G : Germany V : China(Shanghai)  
 Y : AAFES(Europe) X : Australia Q : Russia H : Korea M : Other Areas Δ indicates safety critical components .

| Ref. No | Add-ress | New Parts | Parts No.   | Description       | Desti-nation | Re-marks |
|---------|----------|-----------|-------------|-------------------|--------------|----------|
| 651     | 2A       |           | K29-8103-04 | KNOB              | E1           |          |
| 651     | 2A       |           | K29-8103-04 | KNOB              | E3           |          |
| 651     | 2A       |           | K29-8103-04 | KNOB              | K1P1M3       |          |
| 651     | 2A       |           | K29-8103-04 | KNOB              | K2P2M7       |          |
| 651     | 2A       |           | K29-8103-04 | KNOB              | K3P3X5       |          |
| 651     | 2A       |           | K29-8103-04 | KNOB              | K4P4         |          |
| 651     | 2A       |           | K29-8103-04 | KNOB              | X7E7         |          |
| 651     | 2A       |           | K29-8104-04 | KNOB              | K5P5         |          |
| 651     | 2A       |           | K29-8104-04 | KNOB              | K6P6         |          |
| 651     | 2A       |           | K29-8104-04 | KNOB              | M4X4E4       |          |
| 651     | 2A       |           | K29-8104-04 | KNOB              | M6X6E6       |          |
| 651     | 2A       |           | K29-8104-04 | KNOB              | M8X8E8       |          |
| 651     | 2A       |           | K29-8104-04 | KNOB              | X2E2         |          |
| 651     | 2A       |           | K29-8104-04 | KNOB              | E1           |          |
| 651     | 2A       |           | K29-8105-04 | KNOB              | E3           |          |
| 652     | 2A       |           | K29-8105-04 | KNOB              | K1P1M3       |          |
| 652     | 2A       |           | K29-8105-04 | KNOB              | K2P2M7       |          |
| 652     | 2A       |           | K29-8105-04 | KNOB              | K3P3X5       |          |
| 652     | 2A       |           | K29-8105-04 | KNOB              | K4P4         |          |
| 652     | 2A       |           | K29-8105-04 | KNOB              | X7E7         |          |
| 652     | 2A       |           | K29-8106-04 | KNOB              | K5P5         |          |
| 652     | 2A       |           | K29-8106-04 | KNOB              | K6P6         |          |
| 652     | 2A       |           | K29-8106-04 | KNOB              | M4X4E4       |          |
| 652     | 2A       |           | K29-8106-04 | KNOB              | M6X6E6       |          |
| 652     | 2A       |           | K29-8106-04 | KNOB              | M8X8E8       |          |
| 652     | 2A       |           | K29-8106-04 | KNOB              | X2E2         |          |
| 653     | 2A,2B    |           | K29-8117-01 | KNOB              | E1           |          |
| 653     | 2A,2B    |           | K29-8117-01 | KNOB              | E3           |          |
| 653     | 2A,2B    |           | K29-8117-01 | KNOB              | K1P1M3       |          |
| 653     | 2A,2B    |           | K29-8117-01 | KNOB              | K2P2M7       |          |
| 653     | 2A,2B    |           | K29-8117-01 | KNOB              | K3P3X5       |          |
| 653     | 2A,2B    |           | K29-8117-01 | KNOB              | K4P4         |          |
| 653     | 2A,2B    |           | K29-8117-01 | KNOB              | X7E7         |          |
| 653     | 2A,2B    |           | K29-8119-01 | KNOB              | K5P5         |          |
| 653     | 2A,2B    |           | K29-8119-01 | KNOB              | K6P6         |          |
| 653     | 2A,2B    |           | K29-8119-01 | KNOB              | M4X4E4       |          |
| 653     | 2A,2B    |           | K29-8119-01 | KNOB              | M6X6E6       |          |
| 653     | 2A,2B    |           | K29-8119-01 | KNOB              | M8X8E8       |          |
| 653     | 2A,2B    |           | K29-8119-01 | KNOB              | X2E2         |          |
| Δ 655   | 1B       |           | L07-2922-05 | POWER TRANSFORMER | KP           |          |
| Δ 655   | 1B       |           | L07-2923-05 | POWER TRANSFORMER | M            |          |
| Δ 655   | 1B       |           | L07-2924-05 | POWER TRANSFORMER | X4           |          |
| Δ 655   | 1B       |           | L07-2924-05 | POWER TRANSFORMER | X5X6         |          |
| Δ 655   | 1B       |           | L07-2924-05 | POWER TRANSFORMER | X7X8         |          |
| Δ 655   | 1B       |           | L07-3167-15 | POWER TRANSFORMER | E1E2         |          |
| Δ 655   | 1B       |           | L07-3169-15 | POWER TRANSFORMER | X2           |          |
| Δ 655   | 1B       |           | L07-3210-05 | POWER TRANSFORMER | E3E4         |          |
| Δ 655   | 1B       |           | L07-3210-05 | POWER TRANSFORMER | E6           |          |
| Δ 655   | 1B       |           | L07-3210-05 | POWER TRANSFORMER | E7E8         |          |
| 660     | 1A       |           | T90-0877-05 | LEAD WIRE ANTENNA |              |          |
| 661     | 1A       |           | T90-0893-05 | LOOP ANTENNA      |              |          |
| 665     | 1C       | *         | W02-2970-05 | TUNER ASSY        | KP           |          |
| 665     | 1C       | *         | W02-2971-05 | TUNER ASSY        | MX           |          |
| 665     | 1C       | *         | W02-2972-05 | TUNER ASSY        | E            |          |

L : Scandinavia K : USA P : Canada R : Mexico C : China I : Malaysia  
 Y : PX(Far East,Hawaii) T : England E : Europe G : Germany V : China(Shanghai)  
 Y : AAFES(Europe) X : Australia Q : Russia H : Korea M : Other Areas Δ indicates safety critical components .

**KRF-V4070D/V5070D/V6070D/MR-705/707/715/716**  
**PARTS LIST**

\* New Parts  
Parts without **Parts No.** are not supplied.  
Les articles non mentionnés dans le **Parts No.** ne sont pas fournis.  
Teile ohne **Parts No.** werden nicht geliefert.

5

| Ref. No                                | Add-ress | New Parts | Parts No.     | Description | Desti-nation | Re-marks |
|--|----------|-----------|---------------|-------------|--------------|----------|
| <b>(X08-3130-14) KRF-V6070D/VR-707</b> |          |           |               |             |              |          |
| C1 ,2                                  |          |           | CK73GB1H472K  | CHIP C      | 4700PF       | K        |
| C3 ,4                                  |          |           | CC73GCH1H220J | CHIP C      | 22PF         | J        |
| C5                                     |          |           | CE04KW1E470M  | ELECTRO     | 47UF         | 25WV     |
| C8 ,9                                  |          |           | CC73GCH1H270J | CHIP C      | 27PF         | J        |
| C10                                    |          |           | CK73GB1H102K  | CHIP C      | 1000PF       | K        |
| C11                                    |          |           | CK73FB1E104K  | CHIP C      | 0.10UF       | K        |
| C12                                    |          |           | CK73GB1H102K  | CHIP C      | 1000PF       | K        |
| C15                                    |          |           | CC73GCH1H330J | CHIP C      | 33PF         | J        |
| C16                                    |          |           | CK73GB1H102K  | CHIP C      | 1000PF       | K        |
| C17                                    |          |           | CC73GCH1H330J | CHIP C      | 33PF         | J        |
| C18                                    |          |           | CC73GCH1H220J | CHIP C      | 22PF         | J        |
| C19                                    |          |           | CC73GCH1H330J | CHIP C      | 33PF         | J        |
| C20                                    |          |           | CK73GB1H103K  | CHIP C      | 0.010UF      | K        |
| C30                                    |          |           | CK73FB1E104K  | CHIP C      | 0.10UF       | K        |
| C31                                    |          |           | CE04RW1C4R7M  | ELECTRO     | 4.7UF        | 16WV     |
| C32                                    |          |           | CK73FB1E104K  | CHIP C      | 0.10UF       | K        |
| C33                                    |          |           | CE04KW1H100M  | ELECTRO     | 10UF         | 50WV     |
| C34                                    |          |           | CE04KW1H220M  | ELECTRO     | 22UF         | 50WV     |
| C35                                    |          |           | CK73FB1E104K  | CHIP C      | 0.10UF       | K        |
| C36 ,37                                |          |           | CC73GCH1H180J | CHIP C      | 18PF         | J        |
| C38                                    |          |           | CC73GCH1H330J | CHIP C      | 33PF         | J        |
| C39                                    |          |           | CK73GB1H103K  | CHIP C      | 0.010UF      | K        |
| C101,102                               |          |           | CE04KW1H100M  | ELECTRO     | 10UF         | 50WV     |
| C103-106                               |          |           | CK73GB1H182K  | CHIP C      | 1800PF       | K        |
| C107                                   |          |           | CC73GCH1H101J | CHIP C      | 100PF        | J        |
| C108                                   |          |           | CK73GB1H472K  | CHIP C      | 4700PF       | K        |
| C121                                   |          |           | CC73GCH1H102J | CHIP C      | 1000PF       | J        |
| C122                                   |          |           | CC73GCH1H101J | CHIP C      | 100PF        | J        |
| C123,124                               |          |           | CC73GCH1H220J | CHIP C      | 22PF         | J        |
| C125                                   |          |           | CK73GB1H103K  | CHIP C      | 0.010UF      | K        |
| C126                                   |          |           | CC73GCH1H101J | CHIP C      | 100PF        | J        |
| C127,128                               |          |           | CE04KW1H4R7M  | ELECTRO     | 4.7UF        | 50WV     |
| C153,154                               |          |           | C91-1597-05   | CERAMIC     | 4.7UF        | Z        |
| C201,202                               |          |           | CE04KW1H100M  | ELECTRO     | 10UF         | 50WV     |
| C203,204                               |          |           | CK73GB1H222K  | CHIP C      | 2200PF       | K        |
| C205,206                               |          |           | CK73GB1H821K  | CHIP C      | 820PF        | K        |
| C207                                   |          |           | CC73GCH1H101J | CHIP C      | 100PF        | J        |
| C208                                   |          |           | CK73GB1H472K  | CHIP C      | 4700PF       | K        |
| C209,210                               |          |           | CE04KW1H4R7M  | ELECTRO     | 4.7UF        | 50WV     |
| C301,302                               |          |           | CE04KW1H100M  | ELECTRO     | 10UF         | 50WV     |
| C303-306                               |          |           | CK73GB1H182K  | CHIP C      | 1800PF       | K        |
| C307                                   |          |           | CC73GCH1H101J | CHIP C      | 100PF        | J        |
| C308                                   |          |           | CK73GB1H472K  | CHIP C      | 4700PF       | K        |
| C309,310                               |          |           | CE04KW1H4R7M  | ELECTRO     | 4.7UF        | 50WV     |
| C401,402                               |          |           | CE04KW1H100M  | ELECTRO     | 10UF         | 50WV     |
| C403                                   |          |           | CK73GB1H182K  | CHIP C      | 1800PF       | K        |
| C404                                   |          |           | CK73GB1H822K  | CHIP C      | 8200PF       | K        |
| C405                                   |          |           | CK73GB1H182K  | CHIP C      | 1800PF       | K        |
| C406                                   |          |           | CK73GB1H822K  | CHIP C      | 8200PF       | K        |
| C407                                   |          |           | CC73GCH1H101J | CHIP C      | 100PF        | J        |
| C408                                   |          |           | CK73GB1H103K  | CHIP C      | 0.010UF      | K        |
| C409,410                               |          |           | CE04KW1H4R7M  | ELECTRO     | 4.7UF        | 50WV     |
| C500-513                               |          |           | CK73FB1E104K  | CHIP C      | 0.10UF       | K        |
| C514                                   |          |           | CC73GCH1H470J | CHIP C      | 47PF         | J        |

L : Scandinavia    K : USA    P : Canada    R : Mexico    C : China    I : Malaysia  
Y : PX(Far East,Hawaii)    T : England    E : Europe    G : Germany    V : China(Shanghai)  
Y : AAFES(Europe)    X : Australia    Q : Russia    H : Korea    M : Other Areas    Δ indicates safety critical components.

\* New Parts  
Parts without **Parts No.** are not supplied.  
Les articles non mentionnés dans le **Parts No.** ne sont pas fournis.  
Teile ohne **Parts No.** werden nicht geliefert.

6

| Ref. No   | Add-ress | New Parts | Parts No.     | Description                  | Desti-nation | Re-marks |
|-----------|----------|-----------|---------------|------------------------------|--------------|----------|
| C515      |          |           | CE04KW1A471M  | ELECTRO                      | 470UF        | 10WV     |
| C600-603  |          |           | CK73FB1E104K  | CHIP C                       | 0.10UF       | K        |
| C800,801  |          |           | CC73GCH1H221J | CHIP C                       | 220PF        | J        |
| C802      |          |           | CK73GB1H103K  | CHIP C                       | 0.010UF      | K        |
| C803      |          |           | CK73FB1H103K  | CHIP C                       | 0.010UF      | K        |
| C900      |          |           | CE04KW1C472M  | ELECTRO                      | 4700UF       | 16WV     |
| C901      |          |           | CK73FB1E104K  | CHIP C                       | 0.10UF       | K        |
| C908      |          |           | CK73FF1C225Z  | CHIP C                       | 2.2UF        | Z        |
| C909      |          |           | CK73FB1E104K  | CHIP C                       | 0.10UF       | K        |
| C910      |          |           | CE04KW1A101M  | ELECTRO                      | 100UF        | 10WV     |
| C911      |          |           | CK73FB1E104K  | CHIP C                       | 0.10UF       | K        |
| C912      |          |           | CC73GCH1H390J | CHIP C                       | 39PF         | J        |
| C913      |          |           | CK73FB1E104K  | CHIP C                       | 0.10UF       | K        |
| C914      |          |           | CK73FB1H103K  | CHIP C                       | 0.010UF      | K        |
| C920      |          |           | CE04KW1A101M  | ELECTRO                      | 100UF        | 10WV     |
| C921      |          |           | CK73FB1E104K  | CHIP C                       | 0.10UF       | K        |
| C922      |          |           | CC73GCH1H470J | CHIP C                       | 47PF         | J        |
| C923      |          |           | CK73FB1E104K  | CHIP C                       | 0.10UF       | K        |
| C930      |          |           | CE04KW1A101M  | ELECTRO                      | 100UF        | 10WV     |
| C931      |          |           | CK73FB1E104K  | CHIP C                       | 0.10UF       | K        |
| C932      |          |           | CC73GCH1H100D | CHIP C                       | 10PF         | D        |
| C933      |          |           | CK73FB1E104K  | CHIP C                       | 0.10UF       | K        |
| CN3       |          |           | E40-8484-05   | FLAT CABLE CONNECTOR         |              |          |
| J1        |          |           | E63-1080-05   | PIN JACK                     |              |          |
| J800      |          |           | E11-0293-05   | MINIATURE PHONE JACK(2P)     |              |          |
| L1 ,2     |          |           | L92-0510-05   | CHIP FERRITE                 |              |          |
| X1        |          |           | L77-2296-05   | CRYSTAL RESONATOR(12.288MHZ) |              |          |
| CP51,52   |          |           | R90-0714-05   | MULTI-COMP                   | 10K X4       |          |
| CP600-604 |          |           | R90-0728-05   | MULTI-COMP                   | 180 X4       |          |
| R1        |          |           | RK73GB1J471J  | CHIP R                       | 470          | J 1/16W  |
| R6        |          |           | R92-1946-05   | METAL GLAZE                  | 4.7          | J 1/4W   |
| R7        |          |           | RK73GB1J820J  | CHIP R                       | 82           | J 1/16W  |
| R8        |          |           | RK73GB1J821J  | CHIP R                       | 820          | J 1/16W  |
| R9        |          |           | RK73GB1J105J  | CHIP R                       | 1.0M         | J 1/16W  |
| R10       |          |           | RK73GB1J221J  | CHIP R                       | 220          | J 1/16W  |
| R11       |          |           | RK73GB1J183J  | CHIP R                       | 18K          | J 1/16W  |
| R14 ,15   |          |           | RK73GB1J330J  | CHIP R                       | 33           | J 1/16W  |
| R16 -19   |          |           | RK73GB1J220J  | CHIP R                       | 22           | J 1/16W  |
| R20       |          |           | RK73GB1J221J  | CHIP R                       | 220          | J 1/16W  |
| R21       |          |           | RK73GB1J220J  | CHIP R                       | 22           | J 1/16W  |
| R22       |          |           | RK73GB1J105J  | CHIP R                       | 1.0M         | J 1/16W  |
| R23       |          |           | RK73GB1J330J  | CHIP R                       | 33           | J 1/16W  |
| R30       |          |           | RK73GB1J220J  | CHIP R                       | 22           | J 1/16W  |
| R31       |          |           | R92-1946-05   | METAL GLAZE                  | 4.7          | J 1/4W   |
| R32       |          |           | RK73GB1J221J  | CHIP R                       | 220          | J 1/16W  |
| R101,102  |          |           | RK73GB1J222J  | CHIP R                       | 2.2K         | J 1/16W  |
| R103,104  |          |           | RK73GB1J104J  | CHIP R                       | 100K         | J 1/16W  |
| R105,106  |          |           | RK73GB1J102J  | CHIP R                       | 1.0K         | J 1/16W  |
| R107,108  |          |           | RK73GB1J103J  | CHIP R                       | 10K          | J 1/16W  |
| R109,110  |          |           | RK73GB1J472J  | CHIP R                       | 4.7K         | J 1/16W  |
| R111,112  |          |           | RK73GB1J221J  | CHIP R                       | 220          | J 1/16W  |
| R121,122  |          |           | RK73GB1J112J  | CHIP R                       | 1.1K         | J 1/16W  |
| R123,124  |          |           | RK73GB1J242J  | CHIP R                       | 2.4K         | J 1/16W  |
| R125-128  |          |           | RK73GB1J103J  | CHIP R                       | 10K          | J 1/16W  |

L : Scandinavia    K : USA    P : Canada    R : Mexico    C : China    I : Malaysia  
Y : PX(Far East,Hawaii)    T : England    E : Europe    G : Germany    V : China(Shanghai)  
Y : AAFES(Europe)    X : Australia    Q : Russia    H : Korea    M : Other Areas    Δ indicates safety critical components.

\* New Parts

Parts without **Parts No.** are not supplied.  
Les articles non mentionnés dans le **Parts No.** ne sont pas fournis.  
Teile ohne **Parts No.** werden nicht geliefert.

7

| Ref. No  | Add-ress | New Parts | Parts No.    | Description            | Desti-nation | Re-marks |
|----------|----------|-----------|--------------|------------------------|--------------|----------|
| R129,130 |          |           | RK73GB1J101J | CHIP R 100 J 1/16W     |              |          |
| R151,152 |          |           | RK73GB1J562J | CHIP R 5.6K J 1/16W    |              |          |
| R153,154 |          |           | RK73GB1J432J | CHIP R 4.3K J 1/16W    |              |          |
| R155-158 |          |           | RK73GB1J472J | CHIP R 4.7K J 1/16W    |              |          |
| R201,202 |          |           | RK73GB1J332J | CHIP R 3.3K J 1/16W    |              |          |
| R203,204 |          |           | RK73GB1J104J | CHIP R 100K J 1/16W    |              |          |
| R205,206 |          |           | RK73GB1J911J | CHIP R 910 J 1/16W     |              |          |
| R207,208 |          |           | RK73GB1J272J | CHIP R 2.7K J 1/16W    |              |          |
| R209,210 |          |           | RK73GB1J562J | CHIP R 5.6K J 1/16W    |              |          |
| R211,212 |          |           | RK73GB1J221J | CHIP R 220 J 1/16W     |              |          |
| R213     |          |           | RK73GB1J472J | CHIP R 4.7K J 1/16W    |              |          |
| R214,215 |          |           | RK73GB1J562J | CHIP R 5.6K J 1/16W    |              |          |
| R216     |          |           | RK73GB1J472J | CHIP R 4.7K J 1/16W    |              |          |
| R301,302 |          |           | RK73GB1J222J | CHIP R 2.2K J 1/16W    |              |          |
| R303,304 |          |           | RK73GB1J104J | CHIP R 100K J 1/16W    |              |          |
| R305,306 |          |           | RK73GB1J102J | CHIP R 1.0K J 1/16W    |              |          |
| R307,308 |          |           | RK73GB1J103J | CHIP R 10K J 1/16W     |              |          |
| R309,310 |          |           | RK73GB1J472J | CHIP R 4.7K J 1/16W    |              |          |
| R311,312 |          |           | RK73GB1J221J | CHIP R 220 J 1/16W     |              |          |
| R401     |          |           | RK73GB1J222J | CHIP R 2.2K J 1/16W    |              |          |
| R402,403 |          |           | RK73GB1J104J | CHIP R 100K J 1/16W    |              |          |
| R404     |          |           | RK73GB1J273J | CHIP R 27K J 1/16W     |              |          |
| R405     |          |           | RK73GB1J102J | CHIP R 1.0K J 1/16W    |              |          |
| R406     |          |           | RK73GB1J183J | CHIP R 18K J 1/16W     |              |          |
| R407,408 |          |           | RK73GB1J103J | CHIP R 10K J 1/16W     |              |          |
| R409     |          |           | RK73GB1J472J | CHIP R 4.7K J 1/16W    |              |          |
| R410     |          |           | RK73GB1J562J | CHIP R 5.6K J 1/16W    |              |          |
| R411,412 |          |           | RK73GB1J221J | CHIP R 220 J 1/16W     |              |          |
| R501-508 |          |           | RK73GB1J104J | CHIP R 100K J 1/16W    |              |          |
| R509-511 |          |           | RK73GB1J221J | CHIP R 220 J 1/16W     |              |          |
| R512     |          |           | RK73GB1J104J | CHIP R 100K J 1/16W    |              |          |
| R513     |          |           | RK73GB1J102J | CHIP R 1.0K J 1/16W    |              |          |
| R514     |          |           | RK73GB1J472J | CHIP R 4.7K J 1/16W    |              |          |
| R515     |          |           | R92-4583-05  | METAL GLAZE 10 J 1/2W  |              |          |
| R541     |          |           | RK73GB1J220J | CHIP R 22 J 1/16W      |              |          |
| R542,543 |          |           | RK73GB1J101J | CHIP R 100 J 1/16W     |              |          |
| R601-608 |          |           | RK73GB1J104J | CHIP R 100K J 1/16W    |              |          |
| R900     |          |           | R92-1918-05  | CHIP R 0.33 J 1/4W     |              |          |
| R910     |          |           | R92-1946-05  | METAL GLAZE 4.7 J 1/4W |              |          |
| R920     |          |           | RS14KB3D180J | FL-PROOF RS 18 J 2W    |              |          |
| R930     |          |           | RS14KB3D4R7J | FL-PROOF RS 4.7 J 2W   |              |          |
| R931     |          |           | RS14KB3D5R6J | FL-PROOF RS 5.6 J 2W   |              |          |
| R950     |          |           | RK73GB1J152J | CHIP R 1.5K J 1/16W    |              |          |
| R951     |          |           | RK73GB1J102J | CHIP R 1.0K J 1/16W    |              |          |
| R952     |          |           | RK73GB1J472J | CHIP R 4.7K J 1/16W    |              |          |
| R953     |          |           | RK73GB1J473J | CHIP R 47K J 1/16W     |              |          |
| R954,955 |          |           | RK73GB1J221J | CHIP R 220 J 1/16W     |              |          |
| W999     |          |           | R92-0679-05  | CHIP R 0 OHM           |              |          |
| S800     |          |           | S62-0034-05  | SLIDE SWITCH           | M7M8         |          |
| D1       |          |           | DAN202U      | DIODE                  |              |          |
| D1       |          |           | MA142WK      | DIODE                  |              |          |
| D1       |          |           | 1SS301       | DIODE                  |              |          |
| D3       |          |           | DAN202U      | DIODE                  |              |          |
| D3       |          |           | MA142WK      | DIODE                  |              |          |

L : Scandinavia K : USA P : Canada R : Mexico C : China I : Malaysia  
Y : PX(Far East,Hawaii) T : England E : Europe G : Germany V : China(Shanghai)  
Y : AAFES(Europe) X : Australia Q : Russia H : Korea M : Other Areas Δ indicates safety critical components.

\* New Parts

Parts without **Parts No.** are not supplied.  
Les articles non mentionnés dans le **Parts No.** ne sont pas fournis.  
Teile ohne **Parts No.** werden nicht geliefert.

8

| Ref. No   | Add-ress | New Parts | Parts No.     | Description            | Desti-nation | Re-marks |
|---|----------|-----------|---------------|------------------------|--------------|----------|
| D3  |          |           | 1SS301        | DIODE                  |              |          |
| D4  |          |           | DAP202U       | DIODE                  |              |          |
| D4  |          |           | MA142WA       | DIODE                  |              |          |
| D4  |          |           | 1SS300        | DIODE                  |              |          |
| D800,801  |          |           | MA111         | DIODE                  |              |          |
| Δ D900  |          |           | D2SBA20F03    | DIODE                  |              |          |
| Δ D901,902  |          |           | MA111         | DIODE                  | M7M8         |          |
| D910  |          |           | HZU3.9(B2)    | ZENER DIODE            |              |          |
| D910  |          |           | UDZ3.9B       | ZENER DIODE            |              |          |
| D920  |          |           | HZU3.9(B2)    | ZENER DIODE            |              |          |
| D920  |          |           | UDZ3.9B       | ZENER DIODE            |              |          |
| D930  |          |           | HZU5.6(B2)    | ZENER DIODE            |              |          |
| D930  |          |           | UDZ5.6B       | ZENER DIODE            |              |          |
| D950  |          |           | HZU5.1(B2)    | ZENER DIODE            |              |          |
| D950  |          |           | UDZ5.1B       | ZENER DIODE            |              |          |
| D951  |          |           | MA111         | DIODE                  |              |          |
| IC2   |          |           | AK4112BVF     | MOS-IC                 |              |          |
| IC3   |          |           | TC7WH241FU    | MOS-IC                 |              |          |
| IC4   |          |           | AK4529-VQ     | MOS-IC                 |              |          |
| IC5   |          |           | TC7SHU04FU    | MOS-IC                 |              |          |
| IC6   |          |           | TC7WU04FU     | MOS-IC                 |              |          |
| IC7   |          |           | TC74VHC175FT  | MOS-IC                 |              |          |
| IC11  |          |           | NJM4565M      | ANALOGUE IC            |              |          |
| IC11  |          |           | NJM4565MD     | IC(OP AMP X2)          |              |          |
| IC12  |          |           | NJU7311AM     | MOS-IC                 |              |          |
| IC21  |          |           | NJM4565M      | ANALOGUE IC            |              |          |
| IC21  |          |           | NJM4565MD     | IC(OP AMP X2)          |              |          |
| IC31  |          |           | NJM4565M      | ANALOGUE IC            |              |          |
| IC31  |          |           | NJM4565MD     | IC(OP AMP X2)          |              |          |
| IC41  |          |           | NJM4565M      | ANALOGUE IC            |              |          |
| IC41  |          |           | NJM4565MD     | IC(OP AMP X2)          |              |          |
| IC50  |          |           | ADSST-MEL322  | MOS-IC                 |              |          |
| IC51  |          |           | 27W40180N6705 | ROM IC                 |              |          |
| IC52  |          |           | A61L6316-12V  | SRAM IC                |              |          |
| IC52  |          |           | UT61L6416MC10 | SRAM IC                |              |          |
| IC52  |          |           | UT61L6416MC12 | SRAM IC                |              |          |
| IC60  |          |           | TC74HCT7007AF | MOS-IC                 |              |          |
| IC61  |          |           | TC74VHC125FT  | MOS-IC                 |              |          |
| IC90  |          |           | BA05T         | ANALOGUE IC            |              |          |
| IC91  |          |           | NJU7223F25    | ANALOGUE IC            |              |          |
| IC92  |          |           | BA033T        | ANALOGUE IC            |              |          |
| IC93  |          |           | BA05T         | ANALOGUE IC            |              |          |
| IC123   |          |           | NJM4565M      | ANALOGUE IC            |              |          |
| IC123   |          |           | NJM4565MD     | IC(OP AMP X2)          |              |          |
| Q950  |          |           | 2SA1576A(R,S) | TRANSISTOR             |              |          |
| Q950  |          |           | 2SB1218A(Q,R) | TRANSISTOR             |              |          |
| Q951  |          |           | 2SC4081(R,S)  | TRANSISTOR             |              |          |
| Q951  |          |           | 2SD1819A(Q,R) | TRANSISTOR             |              |          |
| A1  |          |           | W02-2802-05   | OPTIC RECEIVING MODULE |              |          |
| <b>(X08-3230-10) KRF-V4070D/V5070D/V5570D/VR-705/VR-715/716</b> |          |           |               |                        |              |          |
| C601  |          |           | CK73GB1H103K  | CHIP C 0.010UF         | K            |          |
| C602  |          |           | CK73GB1H102K  | CHIP C 1000PF          | K            |          |
| C603  |          |           | CC73GCH1H220J | CHIP C 22PF            | J            |          |
| C604  |          |           | CC73GCH1H270J | CHIP C 27PF            | J            |          |

L : Scandinavia K : USA P : Canada R : Mexico C : China I : Malaysia  
Y : PX(Far East,Hawaii) T : England E : Europe G : Germany V : China(Shanghai)  
Y : AAFES(Europe) X : Australia Q : Russia H : Korea M : Other Areas Δ indicates safety critical components.

KRF-V4070D/V5070D/V5570D/VR-705/VR-715/716  
PARTS LIST

\* New Parts  
Parts without **Parts No.** are not supplied.  
Les articles non mentionnés dans le **Parts No.** ne sont pas fournis.  
Teile ohne **Parts No.** werden nicht geliefert.

9

| Ref. No  | Add-ress | New Parts | Parts No.   | Description                                       | Desti-nation                                   | Re-marks                       |
|--|----------|-----------|---|---|--|--------------------------------|
| C605,606<br>C607<br>C608<br>C609,610<br>C611         |          |           | CK73GB1H103K<br>CC73GCH1H220J<br>CK73GB1H102K<br>CK73GB1H103K<br>CK73GB1H102K   | CHIP C<br>CHIP C<br>CHIP C<br>CHIP C<br>CHIP C    | 0.010UF<br>22PF<br>1000PF<br>0.010UF<br>1000PF | K<br>J<br>K<br>K<br>K          |
| C612<br>C613<br>C614<br>C615<br>C616                 |          |           | CK73GB1H103K<br>CE04LW1H2R2M<br>CK73GB1H103K<br>CC73GCH1H471J<br>CE04LW1E470M   | CHIP C<br>ELECTRO<br>CHIP C<br>CHIP C<br>ELECTRO  | 0.010UF<br>2.2UF<br>0.010UF<br>470PF<br>47UF   | K<br>50WV<br>K<br>J<br>25WV    |
| C617,618<br>C619<br>C621<br>C622,623<br>C624         |          |           | CK73GB1H103K<br>CK73FB1E104K<br>CE04KW1H2R2M<br>CK73GB1H103K<br>CC73GCH1H101J   | CHIP C<br>CHIP C<br>ELECTRO<br>CHIP C<br>CHIP C   | 0.010UF<br>0.10UF<br>2.2UF<br>0.010UF<br>100PF | K<br>K<br>50WV<br>K<br>J       |
| C631<br>C632,633<br>C634,635<br>C636,637<br>C654     |          |           | CK73FB1E104K<br>CC73GCH1H221J<br>CC73GCH1H220J<br>CK73GB1H472K<br>CE04LW1H100M  | CHIP C<br>CHIP C<br>CHIP C<br>CHIP C<br>ELECTRO   | 0.10UF<br>220PF<br>22PF<br>4700PF<br>10UF      | K<br>J<br>J<br>K<br>50WV       |
| C656<br>C657<br>C659<br>C660<br>C661                 |          |           | CE04LW1E470M<br>CE04LW1A101M<br>CE04KW1A101M<br>CC73GCH1H820J<br>CK73GB1H103K   | ELECTRO<br>ELECTRO<br>ELECTRO<br>CHIP C<br>CHIP C | 47UF<br>100UF<br>100UF<br>82PF<br>0.010UF      | 25WV<br>10WV<br>10WV<br>J<br>K |
| C662<br>C663<br>C665<br>C666<br>C667                 |          |           | CE04LW1A101M<br>CK73GB1H103K<br>CC73GCH1H330J<br>CK73FB1E104K<br>CE04KW1C472M   | ELECTRO<br>CHIP C<br>CHIP C<br>CHIP C<br>ELECTRO  | 100UF<br>0.010UF<br>33PF<br>0.10UF<br>4700UF   | 10WV<br>K<br>J<br>K<br>16WV    |
| C668,669<br>C670<br>C671<br>C672<br>C673             |          |           | CK73FB1E104K<br>CE04LW1H100M<br>CC73GCH1H470J<br>CC73GCH1H220J<br>CE04KW1H220M  | CHIP C<br>ELECTRO<br>CHIP C<br>CHIP C<br>ELECTRO  | 0.10UF<br>10UF<br>47PF<br>22PF<br>22UF         | K<br>50WV<br>J<br>J<br>50WV    |
| C675,676<br>C700<br>C701,702<br>C703,704<br>C705,706 |          |           | CC73GCH1H220J<br>CC73GCH1H470J<br>CE04LW1H100M<br>CK73GB1H222K<br>CK73GB1H182K  | CHIP C<br>CHIP C<br>ELECTRO<br>CHIP C<br>CHIP C   | 22PF<br>47PF<br>10UF<br>2200PF<br>1800PF       | J<br>J<br>50WV<br>K<br>K       |
| C707,708<br>C709<br>C710<br>C711,712<br>C713,714     |          |           | CC73GCH1H101J<br>CK73GB1H472K<br>CC73GCH1H101J<br>CE04LW1H100M<br>CK73GB1H821K  | CHIP C<br>CHIP C<br>CHIP C<br>ELECTRO<br>CHIP C   | 100PF<br>4700PF<br>100PF<br>10UF<br>820PF      | J<br>K<br>J<br>50WV<br>K       |
| C715,716<br>C717,718<br>C719<br>C720<br>C721,722     |          |           | CK73GB1H222K<br>CC73GCH1H101J<br>CC73GCH1H470J<br>CC73GCH1H330J<br>CE04LW1H100M | CHIP C<br>CHIP C<br>CHIP C<br>CHIP C<br>ELECTRO   | 2200PF<br>100PF<br>47PF<br>33PF<br>10UF        | K<br>J<br>J<br>J<br>50WV       |
| C723<br>C724<br>C725<br>C726<br>C727,728             |          |           | CK73GB1H222K<br>CK73GB1H822K<br>CK73GB1H182K<br>CK73GB1H822K<br>CC73GCH1H101J   | CHIP C<br>CHIP C<br>CHIP C<br>CHIP C<br>CHIP C    | 2200PF<br>8200PF<br>1800PF<br>8200PF<br>100PF  | K<br>K<br>K<br>K<br>J          |

L : Scandinavia K : USA P : Canada R : Mexico C : China I : Malaysia  
Y : PX(Far East,Hawaii) T : England E : Europe G : Germany V : China(Shanghai)  
Y : AAFES(Europe) X : Australia Q : Russia H : Korea M : Other Areas  $\Delta$  indicates safety critical components.

\* New Parts  
Parts without **Parts No.** are not supplied.  
Les articles non mentionnés dans le **Parts No.** ne sont pas fournis.  
Teile ohne **Parts No.** werden nicht geliefert.

10

| Ref. No  | Add-ress | New Parts | Parts No.   | Description  | Desti-nation                              | Re-marks   |
|--|----------|-----------|---|--|---|--|
| C737,738<br>C739,740<br>C741<br>C742<br>C744             |          |           | CC73GCH1H220J<br>CE04LW1H100M<br>CK73GB1H102K<br>CC73GCH1H101J<br>CC73GCH1H101J | CHIP C<br>ELECTRO<br>CHIP C<br>CHIP C<br>CHIP C  | 22PF<br>10UF<br>1000PF<br>100PF<br>100PF  | J<br>50WV<br>K<br>J<br>J   |
| C791,792<br>C901-906<br>C907,908<br>C909,910<br>C912,913 |          |           | CC73GCH1H471J<br>CC73GCH1H470J<br>CC73GCH1H101J<br>CK73GB1H103K<br>CE04LW1E470M | CHIP C<br>CHIP C<br>CHIP C<br>CHIP C<br>ELECTRO  | 470PF<br>47PF<br>100PF<br>0.010UF<br>47UF | J<br>J<br>J<br>K<br>25WV   |
| C915<br>C916<br>C917,918<br>C919,920                     |          |           | CE04EW1C471M<br>CK73FB1E104K<br>CC73GCH1H101J<br>CK73GB1H103K                   | ELECTRO<br>CHIP C<br>CHIP C<br>CHIP C  | 470UF<br>0.10UF<br>100PF<br>0.010UF       | 16WV<br>K<br>J<br>K  |
| CN601<br>CN605<br>J601<br>J602<br>J901                   |          | *         | E40-8484-05<br>E40-8483-05<br>E63-1294-05<br>E11-0293-05<br>E56-0049-05         | FLAT CABLE CONNECTOR<br>FLAT CABLE CONNECTOR<br>PIN JACK<br>MINIATURE PHONE JACK(2P)<br>CYLINDRICAL RECEPTACLE |   |  |
| X601   |          | *         | L77-2296-05   | CRYSTAL RESONATOR(12.288MHZ)   |   |  |
| CP601,602<br>CP603-605<br>R601,602<br>R603,604<br>R605   |          |           | R90-0714-05<br>R90-0728-05<br>RK73GB1J221J<br>RK73GB1J105J<br>RK73GB1J103J      | MULTI-COMP<br>MULTI-COMP<br>CHIP R<br>CHIP R<br>CHIP R   | 10K X4<br>180 X4<br>220<br>1.0M<br>10K    | J<br>1/16W<br>J<br>1/16W<br>J<br>1/16W                             |
| R608<br>R609<br>R610<br>R611,612<br>R613,614             |          |           | RK73GB1J221J<br>RK73GB1J104J<br>RK73GB1J221J<br>RK73GB1J332J<br>RK73GB1J221J    | CHIP R<br>CHIP R<br>CHIP R<br>CHIP R<br>CHIP R   | 220<br>100K<br>220<br>3.3K<br>220         | J<br>J<br>J<br>J<br>J<br>1/16W<br>1/16W<br>1/16W<br>1/16W<br>1/16W |
| R615<br>R623<br>R624<br>R625,626<br>R627,628             |          |           | RK73GB1J101J<br>RK73GB1J103J<br>RK73GB1J221J<br>RK73GB1J332J<br>RK73GB1J221J    | CHIP R<br>CHIP R<br>CHIP R<br>CHIP R<br>CHIP R   | 100<br>10K<br>220<br>3.3K<br>220          | J<br>J<br>J<br>J<br>J<br>1/16W<br>1/16W<br>1/16W<br>1/16W<br>1/16W |
| R629<br>R630<br>R631<br>R632,633<br>R634                 |          |           | RK73GB1J103J<br>RK73GB1J333J<br>RK73GB1J101J<br>RK73GB1J472J<br>RK73GB1J471J    | CHIP R<br>CHIP R<br>CHIP R<br>CHIP R<br>CHIP R   | 10K<br>33K<br>100<br>4.7K<br>470          | J<br>J<br>J<br>J<br>J<br>1/16W<br>1/16W<br>1/16W<br>1/16W<br>1/16W |
| R635<br>R637,638<br>R639<br>R640<br>R641                 |          |           | RK73GB1J750J<br>RK73GB1J220J<br>RK73GB1J183J<br>R92-1946-05<br>RD14NB2E4R7J     | CHIP R<br>CHIP R<br>CHIP R<br>METAL GLAZE<br>RD  | 75<br>22<br>18K<br>4.7<br>4.7             | J<br>J<br>J<br>J<br>J<br>1/16W<br>1/16W<br>1/16W<br>1/4W<br>1/4W   |
| R642<br>R644<br>R663<br>R664<br>R665                     |          |           | RK73GB1J220J<br>RK73GB1J750J<br>RK73GB1J221J<br>R92-1993-05<br>RK73GB1J223J     | CHIP R<br>CHIP R<br>CHIP R<br>METAL GLAZE<br>CHIP R  | 22<br>75<br>220<br>560<br>22K             | J<br>J<br>J<br>J<br>J<br>1/16W<br>1/16W<br>1/16W<br>1/4W<br>1/16W  |
| R666<br>R667<br>R670<br>R671<br>R672                     |          |           | RS14KB3D180J<br>RK73GB1J221J<br>R92-1946-05<br>RD14NB2E1R0J<br>RK73GB1J221J     | FL-PROOF RS<br>CHIP R<br>METAL GLAZE<br>RD<br>CHIP R   | 18<br>220<br>4.7<br>1<br>220              | J<br>J<br>J<br>J<br>J<br>2W<br>1/16W<br>1/4W<br>1/4W<br>1/16W      |

L : Scandinavia K : USA P : Canada R : Mexico C : China I : Malaysia  
Y : PX(Far East,Hawaii) T : England E : Europe G : Germany V : China(Shanghai)  
Y : AAFES(Europe) X : Australia Q : Russia H : Korea M : Other Areas  $\Delta$  indicates safety critical components.

## PARTS LIST

KRF-V4070DN/5070DN/6070DN/R-705/707/715/716

\* New Parts

Parts without **Parts No.** are not supplied.  
Les articles non mentionnés dans le **Parts No.** ne sont pas fournis.  
Teile ohne **Parts No.** werden nicht geliefert.

11

| Ref. No  | Add-ress | New Parts | Parts No.    | Description            | Desti-nation | Re-marks |
|----------|----------|-----------|--------------|------------------------|--------------|----------|
| R673     |          |           | RK73GB1J473J | CHIP R 47K J 1/16W     |              |          |
| R674     |          |           | RK73GB1J472J | CHIP R 4.7K J 1/16W    |              |          |
| R675     |          |           | RK73GB1J221J | CHIP R 220 J 1/16W     |              |          |
| R676     |          |           | RK73GB1J102J | CHIP R 1.0K J 1/16W    |              |          |
| R677     |          |           | RK73GB1J152J | CHIP R 1.5K J 1/16W    |              |          |
| R678,679 |          |           | RK73GB1J220J | CHIP R 22 J 1/16W      |              |          |
| R680     |          |           | RK73GB1J471J | CHIP R 470 J 1/16W     |              |          |
| R683,684 |          |           | RK73GB1J471J | CHIP R 470 J 1/16W     |              |          |
| Δ R685   |          |           | R92-1945-05  | METAL GLAZE 1 J 1/4W   |              |          |
| R689     |          |           | RK73GB1J220J | CHIP R 22 J 1/16W      |              |          |
| R690     |          |           | RK73GB1J471J | CHIP R 470 J 1/16W     |              |          |
| Δ R691   |          |           | R92-1946-05  | METAL GLAZE 4.7 J 1/4W |              |          |
| R692     |          |           | RK73GB1J220J | CHIP R 22 J 1/16W      |              |          |
| R693,694 |          |           | RK73GB1J101J | CHIP R 100 J 1/16W     |              |          |
| R701,702 |          |           | RK73GB1J222J | CHIP R 2.2K J 1/16W    |              |          |
| R703,704 |          |           | RK73GB1J104J | CHIP R 100K J 1/16W    |              |          |
| R705,706 |          |           | RK73GB1J222J | CHIP R 2.2K J 1/16W    |              |          |
| R707,708 |          |           | RK73GB1J103J | CHIP R 10K J 1/16W     |              |          |
| R709,710 |          |           | RK73GB1J472J | CHIP R 4.7K J 1/16W    |              |          |
| R711,712 |          |           | RK73GB1J332J | CHIP R 3.3K J 1/16W    |              |          |
| R713,714 |          |           | RK73GB1J104J | CHIP R 100K J 1/16W    |              |          |
| R715,716 |          |           | RK73GB1J222J | CHIP R 2.2K J 1/16W    |              |          |
| R717,718 |          |           | RK73GB1J272J | CHIP R 2.7K J 1/16W    |              |          |
| R719,720 |          |           | RK73GB1J562J | CHIP R 5.6K J 1/16W    |              |          |
| R721     |          |           | RK73GB1J222J | CHIP R 2.2K J 1/16W    |              |          |
| R722     |          |           | RK73GB1J153J | CHIP R 15K J 1/16W     |              |          |
| R723,724 |          |           | RK73GB1J104J | CHIP R 100K J 1/16W    |              |          |
| R725     |          |           | RK73GB1J222J | CHIP R 2.2K J 1/16W    |              |          |
| R726     |          |           | RK73GB1J183J | CHIP R 18K J 1/16W     |              |          |
| R727,728 |          |           | RK73GB1J103J | CHIP R 10K J 1/16W     |              |          |
| R729     |          |           | RK73GB1J472J | CHIP R 4.7K J 1/16W    |              |          |
| R730     |          |           | RK73GB1J562J | CHIP R 5.6K J 1/16W    |              |          |
| R735-740 |          |           | RK73GB1J103J | CHIP R 10K J 1/16W     |              |          |
| R741-744 |          |           | RK73GB1J221J | CHIP R 220 J 1/16W     |              |          |
| R745     |          |           | RK73GB1J102J | CHIP R 1.0K J 1/16W    |              |          |
| R746-748 |          |           | RK73GB1J101J | CHIP R 100 J 1/16W     |              |          |
| R749,750 |          |           | RK73GB1J272J | CHIP R 2.7K J 1/16W    |              |          |
| R751     |          |           | RK73GB1J472J | CHIP R 4.7K J 1/16W    |              |          |
| R752     |          |           | RK73GB1J562J | CHIP R 5.6K J 1/16W    |              |          |
| R753     |          |           | RK73GB1J472J | CHIP R 4.7K J 1/16W    |              |          |
| R754     |          |           | RK73GB1J562J | CHIP R 5.6K J 1/16W    |              |          |
| R756-758 |          |           | RK73GB1J181J | CHIP R 180 J 1/16W     |              |          |
| R791,792 |          |           | RK73GB1J183J | CHIP R 18K J 1/16W     |              |          |
| R793-804 |          |           | RK73GB1J220J | CHIP R 22 J 1/16W      |              |          |
| R805-808 |          |           | R92-1945-05  | METAL GLAZE 1 J 1/4W   |              |          |
| R809-811 |          |           | RK73FB2A1R0J | CHIP R 1 J 1/10W       |              |          |
| R812-814 |          |           | R92-1945-05  | METAL GLAZE 1 J 1/4W   |              |          |
| R901-904 |          |           | RK73GB1J750J | CHIP R 75 J 1/16W      | K4P4         |          |
| R905,906 |          |           | RK73GB1J104J | CHIP R 100K J 1/16W    | K4P4         |          |
| R907,908 |          |           | RK73GB1J750J | CHIP R 75 J 1/16W      | K4P4         |          |
| R911     |          |           | RK73GB1J472J | CHIP R 4.7K J 1/16W    | K4P4         |          |
| R912     |          |           | RK73GB1J221J | CHIP R 220 J 1/16W     | K4P4         |          |
| R915,916 |          |           | RD14NB2E100J | RD 10 J 1/4W           | K4P4         |          |
| R917     |          |           | RK73GB1J103J | CHIP R 10K J 1/16W     | K4P4         |          |
| R921     |          |           | RK73GB1J2R2J | CHIP R 2.2 J 1/16W     | K4P4         |          |

L : Scandinavia K : USA P : Canada R : Mexico C : China I : Malaysia  
Y : PX(Far East,Hawaii) T : England E : Europe G : Germany V : China(Shanghai)  
Y : AAFES(Europe) X : Australia Q : Russia H : Korea M : Other Areas Δ indicates safety critical components .

\* New Parts

Parts without **Parts No.** are not supplied.  
Les articles non mentionnés dans le **Parts No.** ne sont pas fournis.  
Teile ohne **Parts No.** werden nicht geliefert.

12

| Ref. No                                | Add-ress | New Parts | Parts No.     | Description            | Desti-nation | Re-marks |
|--|----------|-----------|---------------|------------------------|--------------|----------|
| W900                                   |          |           | R92-0679-05   | CHIP R 0 OHM           |              |          |
| S601                                   |          |           | S62-0034-05   | SLIDE SWITCH           | M3M4M6       |          |
| D601                                   |          |           | MA111         | DIODE                  |              |          |
| D602                                   |          |           | DAN202U       | DIODE                  |              |          |
| D602                                   |          |           | MA142WK       | DIODE                  |              |          |
| D602                                   |          |           | 1SS301        | DIODE                  |              |          |
| D603                                   |          |           | DAP202U       | DIODE                  |              |          |
| D603                                   |          |           | MA142WA       | DIODE                  |              |          |
| D603                                   |          |           | 1SS300        | DIODE                  |              |          |
| D604                                   |          |           | HZU3.9(B2)    | ZENER DIODE            |              |          |
| D604                                   |          |           | UDZ3.9B       | ZENER DIODE            |              |          |
| D605                                   |          |           | DAN202U       | DIODE                  |              |          |
| D605                                   |          |           | MA142WK       | DIODE                  |              |          |
| D605                                   |          |           | 1SS301        | DIODE                  |              |          |
| D606,607                               |          |           | HZU5.6(B2)    | ZENER DIODE            |              |          |
| D606,607                               |          |           | UDZ5.6B       | ZENER DIODE            |              |          |
| D608                                   |          |           | MA111         | DIODE                  |              |          |
| Δ D609                                 |          |           | D2SBA20F03    | DIODE                  |              |          |
| D610                                   |          |           | HZU5.1(B2)    | ZENER DIODE            |              |          |
| D610                                   |          |           | UDZ5.1B       | ZENER DIODE            |              |          |
| Δ D613,614                             |          |           | MA111         | DIODE                  | K4P4         |          |
| Δ D900-902                             |          |           | 1SR154-400    | DIODE                  |              |          |
| IC601                                  |          |           | CS493263-CLG  | MOS-IC                 |              |          |
| IC601                                  |          |           | CS493263-CLR  | MOS-IC                 |              |          |
| IC602                                  |          |           | AK4586        | MOS-IC                 |              |          |
| IC603                                  |          |           | TC7WU04FU     | MOS-IC                 |              |          |
| IC604                                  |          |           | TC7WH123FU    | MOS-IC                 |              |          |
| IC605                                  |          |           | TC74HCT7007AF | MOS-IC                 |              |          |
| IC606                                  |          |           | TC74HC07AF    | MOS-IC                 |              |          |
| Δ IC609                                |          |           | XC62EP2502MR  | ANALOGUE IC            |              |          |
| Δ IC611                                |          |           | BA033LBSG     | ANALOGUE IC            |              |          |
| Δ IC612                                |          |           | BA05T         | ANALOGUE IC            |              |          |
| IC701-703                              |          |           | NJM4565MD     | IC(OP AMP X2)          |              |          |
| IC705                                  |          |           | NJU7311AM     | MOS-IC                 |              |          |
| IC707                                  |          |           | NJM4565MD     | IC(OP AMP X2)          |              |          |
| IC901,902                              |          | *         | MM1228XF      | ANALOGUE IC            | K4P4         |          |
| Q601                                   |          |           | DTC124EUA     | DIGITAL TRANSISTOR     |              |          |
| Q601                                   |          |           | UN5212        | DIGITAL TRANSISTOR     |              |          |
| Q606                                   |          |           | 2SB1375       | TRANSISTOR             |              |          |
| Q608                                   |          |           | 2SC4081(R,S)  | TRANSISTOR             |              |          |
| Q608                                   |          |           | 2SD1819A(Q,R) | TRANSISTOR             |              |          |
| Q609                                   |          |           | 2SA1576A(R,S) | TRANSISTOR             |              |          |
| Q609                                   |          |           | 2SB1218A(Q,R) | TRANSISTOR             |              |          |
| Q901,902                               |          |           | DTC124EUA     | DIGITAL TRANSISTOR     | K4P4         |          |
| Q901,902                               |          |           | UN5212        | DIGITAL TRANSISTOR     | K4P4         |          |
| A601                                   |          |           | W02-2802-05   | OPTIC RECEIVING MODULE |              |          |
| <b>AUDIO (X09-6740-10/X09-6750-10)</b> |          |           |               |                        |              |          |
| C1 ,2                                  |          |           | CE04KW2A100M  | ELECTRO 10UF           | 100WV        |          |
| C101                                   |          |           | CC45FSL1H331J | CERAMIC 330PF          | J            | E        |
| C102                                   |          |           | CC45FSL1H101J | CERAMIC 100PF          | J            | E        |
| C103,104                               |          |           | CC45FCH1H270J | CERAMIC 27PF           | J            | E        |
| C105                                   |          |           | CE04KW1H2R2M  | ELECTRO 2.2UF          | 50WV         | E        |

L : Scandinavia K : USA P : Canada R : Mexico C : China I : Malaysia  
Y : PX(Far East,Hawaii) T : England E : Europe G : Germany V : China(Shanghai)  
Y : AAFES(Europe) X : Australia Q : Russia H : Korea M : Other Areas Δ indicates safety critical components .

KRF-V4070D/V5070D/V6070D/MR-705/707/715/716  
PARTS LIST



\* New Parts  
Parts without **Parts No.** are not supplied.  
Les articles non mentionnés dans le **Parts No.** ne sont pas fournis.  
Teile ohne **Parts No.** werden nicht geliefert.



| Ref. No    | Add-ress | New Parts | Parts No.     | Description | Desti-nation | Re-marks |
|------------|----------|-----------|---------------|-------------|--------------|----------|
| C106       |          |           | CK45FF1H103Z  | CERAMIC     | 0.010UF      | Z        |
| C107       |          |           | CE04KW1E470M  | ELECTRO     | 47UF         | 25WV     |
| C108       |          |           | CK45FB1H561K  | CERAMIC     | 560PF        | K        |
| C109       |          |           | CK45FF1H103Z  | CERAMIC     | 0.010UF      | Z        |
| C110       |          |           | CK45FF1H103Z  | CERAMIC     | 0.010UF      | Z        |
| C125       |          |           | CE04KW1H100M  | ELECTRO     | 10UF         | 50WV     |
| C126       |          |           | CK45FF1H103Z  | CERAMIC     | 0.010UF      | Z        |
| C127       |          |           | CC45FSL1H270J | CERAMIC     | 27PF         | J        |
| C128       |          |           | CE04KW1H100M  | ELECTRO     | 10UF         | 50WV     |
| C129       |          |           | CE04KW1E332M  | ELECTRO     | 3300UF       | 25WV     |
| △ C130     |          |           | C91-1488-05   | MF          | 6800PF       | 250VAC   |
| △ C130     |          |           | C91-1635-05   | FILM        | 0.068UF      | 275WV    |
| △ C130     |          | *         | C91-1648-05   | MF          | 0.068UF      | 275WV    |
| △ C131     |          |           | CK45FF1H103Z  | CERAMIC     | 0.010UF      | Z        |
| △ C132     |          |           | C91-1635-05   | FILM        | 0.068UF      | 275WV    |
| △ C132     |          | *         | C91-1648-05   | MF          | 0.068UF      | 275WV    |
| C133       |          |           | CE04KW1H100M  | ELECTRO     | 10UF         | 50WV     |
| C134       |          |           | CE04KW1J330M  | ELECTRO     | 33UF         | 63WV     |
| C135       |          |           | CC45FSL1H100D | CERAMIC     | 10PF         | D        |
| C137       |          |           | CK45FF1H103Z  | CERAMIC     | 0.010UF      | Z        |
| △ C138,139 |          |           | CE04KW1E101M  | ELECTRO     | 100UF        | 25WV     |
| C140       |          |           | CE04KW1E222M  | ELECTRO     | 2200UF       | 25WV     |
| C141       |          |           | CE04KW1E102M  | ELECTRO     | 1000UF       | 25WV     |
| C141       |          |           | CE04KW1E471M  | ELECTRO     | 470UF        | 25WV     |
| △ C142,143 |          |           | C90-5747-05   | ELECTRO     | 4700UF       | 75WV     |
| △ C142,143 |          |           | C90-5747-05   | ELECTRO     | 4700UF       | 75WV     |
| △ C142,143 |          |           | C90-5747-05   | ELECTRO     | 4700UF       | 75WV     |
| △ C142,143 |          |           | C90-5747-05   | ELECTRO     | 4700UF       | 75WV     |
| △ C142,143 |          |           | C90-5747-05   | ELECTRO     | 4700UF       | 75WV     |
| △ C142,143 |          |           | C90-5747-05   | ELECTRO     | 4700UF       | 75WV     |
| △ C142,143 |          | *         | C90-5775-05   | ELECTRO     | 4700UF       | 75WV     |
| △ C142,143 |          | *         | C90-5775-05   | ELECTRO     | 4700UF       | 75WV     |
| △ C142,143 |          | *         | C90-5775-05   | ELECTRO     | 4700UF       | 75WV     |
| △ C142,143 |          | *         | C90-5775-05   | ELECTRO     | 4700UF       | 75WV     |
| C144,145   |          |           | C90-5746-05   | ELECTRO     | 3300UF       | 42WV     |
| C144,145   |          |           | C90-5746-05   | ELECTRO     | 3300UF       | 42WV     |
| C144,145   |          |           | C90-5746-05   | ELECTRO     | 3300UF       | 42WV     |
| C144,145   |          |           | C90-5746-05   | ELECTRO     | 3300UF       | 42WV     |
| C144,145   |          |           | C90-5746-05   | ELECTRO     | 3300UF       | 42WV     |
| C144,145   |          |           | C90-5746-05   | ELECTRO     | 3300UF       | 42WV     |
| C144,145   |          |           | C90-5746-05   | ELECTRO     | 3300UF       | 42WV     |
| C144,145   |          |           | C90-5746-05   | ELECTRO     | 3300UF       | 42WV     |
| C144,145   |          | *         | C90-5777-05   | ELECTRO     | 3300UF       | 50WV     |
| C144,145   |          | *         | C90-5777-05   | ELECTRO     | 3300UF       | 50WV     |
| C144,145   |          | *         | C90-5777-05   | ELECTRO     | 3300UF       | 50WV     |
| C146,147   |          |           | C91-1422-05   | MP          | 0.10UF       | 250WV    |
| C148-151   |          |           | C91-1573-05   | MP-C        | 0.10UF       | J        |
| C152,153   |          |           | C91-1422-05   | MP          | 0.10UF       | 250WV    |
| C154,155   |          |           | CQ93FMG1H104J | MYLAR       | 0.10UF       | J        |
| C156       |          |           | CC45FSL1H330J | CERAMIC     | 33PF         | J        |
| C157       |          |           | CC45FSL1H270J | CERAMIC     | 27PF         | J        |
| C201,202   |          |           | CC45FSL1H221J | CERAMIC     | 220PF        | J        |
| C203,204   |          |           | CE04KW1H100M  | ELECTRO     | 10UF         | 50WV     |
| C203,204   |          |           | CE04KW1H100M  | ELECTRO     | 10UF         | 50WV     |
| C205-208   |          |           | CC45FSL1H221J | CERAMIC     | 220PF        | J        |

L : Scandinavia    K : USA    P : Canada    R : Mexico    C : China    I : Malaysia  
Y : PX(Far East,Hawaii)    T : England    E : Europe    G : Germany    V : China(Shanghai)  
Y : AAFES(Europe)    X : Australia    Q : Russia    H : Korea    M : Other Areas    △ indicates safety critical components.

\* New Parts  
Parts without **Parts No.** are not supplied.  
Les articles non mentionnés dans le **Parts No.** ne sont pas fournis.  
Teile ohne **Parts No.** werden nicht geliefert.



| Ref. No  | Add-ress | New Parts | Parts No.     | Description | Desti-nation | Re-marks |
|----------|----------|-----------|---------------|-------------|--------------|----------|
| C205-208 |          |           | CC45FSL1H221J | CERAMIC     | 220PF        | J        |
| C209,210 |          |           | CE04KW1A101M  | ELECTRO     | 100UF        | 10WV     |
| C209,210 |          |           | CE04KW1A101M  | ELECTRO     | 100UF        | 10WV     |
| C211,212 |          |           | CQ93FMG1H123J | MYLAR       | 0.012UF      | J        |
| C211,212 |          |           | CQ93FMG1H123J | MYLAR       | 0.012UF      | J        |
| C213,214 |          |           | CK45FB1H332K  | CERAMIC     | 3300PF       | K        |
| C213,214 |          |           | CK45FB1H332K  | CERAMIC     | 3300PF       | K        |
| C215,216 |          |           | CE04KW1H4R7M  | ELECTRO     | 4.7UF        | 50WV     |
| C215,216 |          |           | CE04KW1H4R7M  | ELECTRO     | 4.7UF        | 50WV     |
| C217-219 |          |           | CC45FSL1H101J | CERAMIC     | 100PF        | J        |
| C217-219 |          |           | CC45FSL1H101J | CERAMIC     | 100PF        | J        |
| C217-219 |          |           | CC45FSL1H101J | CERAMIC     | 100PF        | J        |
| C220     |          |           | CK45FF1H103Z  | CERAMIC     | 0.010UF      | Z        |
| C220     |          |           | CK45FF1H103Z  | CERAMIC     | 0.010UF      | Z        |
| C221,222 |          |           | CC45FSL1H221J | CERAMIC     | 220PF        | J        |
| C225,226 |          |           | CC45FSL1H221J | CERAMIC     | 220PF        | J        |
| C229,230 |          |           | CC45FSL1H221J | CERAMIC     | 220PF        | J        |
| C233,234 |          |           | CC45FSL1H221J | CERAMIC     | 220PF        | J        |
| C237,238 |          |           | CC45FSL1H221J | CERAMIC     | 220PF        | J        |
| C241,242 |          |           | CC45FSL1H221J | CERAMIC     | 220PF        | J        |
| C245,246 |          |           | CC45FSL1H221J | CERAMIC     | 220PF        | J        |
| C245,246 |          |           | CC45FSL1H221J | CERAMIC     | 220PF        | J        |
| C245,246 |          |           | CC45FSL1H221J | CERAMIC     | 220PF        | J        |
| C251,252 |          |           | CC45FSL1H221J | CERAMIC     | 220PF        | J        |
| C251,252 |          |           | CC45FSL1H221J | CERAMIC     | 220PF        | J        |
| C251,252 |          |           | CC45FSL1H221J | CERAMIC     | 220PF        | J        |
| C251,252 |          |           | CC45FSL1H221J | CERAMIC     | 220PF        | J        |
| C251,252 |          |           | CC45FSL1H221J | CERAMIC     | 220PF        | J        |
| C251,252 |          |           | CC45FSL1H221J | CERAMIC     | 220PF        | J        |
| C255,256 |          |           | CC45FSL1H221J | CERAMIC     | 220PF        | J        |
| C255,256 |          |           | CC45FSL1H221J | CERAMIC     | 220PF        | J        |
| C255,256 |          |           | CC45FSL1H221J | CERAMIC     | 220PF        | J        |
| C255,256 |          |           | CC45FSL1H221J | CERAMIC     | 220PF        | J        |
| C255,256 |          |           | CC45FSL1H221J | CERAMIC     | 220PF        | J        |
| C259,260 |          |           | CC45FSL1H221J | CERAMIC     | 220PF        | J        |
| C259,260 |          |           | CC45FSL1H221J | CERAMIC     | 220PF        | J        |
| C259,260 |          |           | CC45FSL1H221J | CERAMIC     | 220PF        | J        |
| C265,266 |          |           | CE04KW1H4R7M  | ELECTRO     | 4.7UF        | 50WV     |
| C268-271 |          |           | CC45FSL1H101J | CERAMIC     | 100PF        | J        |
| C272     |          |           | CE04KW1H2R2M  | ELECTRO     | 2.2UF        | 50WV     |
| C273     |          |           | CK45FB1H471K  | CERAMIC     | 470PF        | K        |
| C274     |          |           | CC45FSL1H331J | CERAMIC     | 330PF        | J        |
| C275     |          |           | CE04KW1E470M  | ELECTRO     | 47UF         | 25WV     |
| C276     |          |           | CE04KW1A101M  | ELECTRO     | 100UF        | 10WV     |
| C278     |          |           | CE04KW1A101M  | ELECTRO     | 100UF        | 10WV     |
| C279     |          |           | CE04KW1E470M  | ELECTRO     | 47UF         | 25WV     |
| C280     |          |           | CE04KW1A101M  | ELECTRO     | 100UF        | 10WV     |
| C281     |          |           | CC45FSL1H101J | CERAMIC     | 100PF        | J        |
| C283-288 |          |           | CC45FSL1H101J | CERAMIC     | 100PF        | J        |
| C290-299 |          |           | CC45FSL1H101J | CERAMIC     | 100PF        | J        |
| C300     |          |           | CC45FSL1H101J | CERAMIC     | 100PF        | J        |
| C300     |          |           | CC45FSL1H101J | CERAMIC     | 100PF        | J        |
| C300     |          |           | CC45FSL1H101J | CERAMIC     | 100PF        | J        |
| C300     |          |           | CC45FSL1H101J | CERAMIC     | 100PF        | J        |

L : Scandinavia    K : USA    P : Canada    R : Mexico    C : China    I : Malaysia  
Y : PX(Far East,Hawaii)    T : England    E : Europe    G : Germany    V : China(Shanghai)  
Y : AAFES(Europe)    X : Australia    Q : Russia    H : Korea    M : Other Areas    △ indicates safety critical components.

\* New Parts

Parts without **Parts No.** are not supplied.  
Les articles non mentionnés dans le **Parts No.** ne sont pas fournis.  
Teile ohne **Parts No.** werden nicht geliefert.

15

| Ref. No  | Add-ress | New Parts | Parts No.     | Description     | Desti-nation | Re-marks |
|----------|----------|-----------|---------------|-----------------|--------------|----------|
| C300     |          |           | CC45FSL1H101J | CERAMIC 100PF   | J            | 7        |
| C301,302 |          |           | CE04KW1H2R2M  | ELECTRO 2.2UF   | 50WV         |          |
| C303,304 |          |           | CK45FB1H471K  | CERAMIC 470PF   | K            |          |
| C305,306 |          |           | CC45FSL1H331J | CERAMIC 330PF   | J            |          |
| C307     |          |           | CE04KW1H101M  | ELECTRO 100UF   | 50WV         | 567      |
| C308     |          |           | CQ93FMG1H473J | MYLAR 0.047UF   | J            |          |
| C309,310 |          |           | CE04KW1A101M  | ELECTRO 100UF   | 10WV         |          |
| C311     |          |           | CE04KW1H4R7M  | ELECTRO 4.7UF   | 50WV         |          |
| C312     |          |           | CQ93FMG1H473J | MYLAR 0.047UF   | J            |          |
| C313     |          |           | CC45FSL1H101J | CERAMIC 100PF   | J            |          |
| C316,317 |          |           | CC45FSL1H100D | CERAMIC 10PF    | D            |          |
| C318     |          |           | CE04KW1H101M  | ELECTRO 100UF   | 50WV         | 567      |
| C319,320 |          |           | CE04KW2A101M  | ELECTRO 100UF   | 100WV        | 567      |
| C321,322 |          |           | CK45FF1H472Z  | CERAMIC 4700PF  | Z            |          |
| C323-328 |          |           | C91-1573-05   | MP-C 0.10UF     | J            |          |
| C329     |          |           | CK45FF1H472Z  | CERAMIC 4700PF  | Z            |          |
| C330     |          |           | CC45FSL1H100D | CERAMIC 10PF    | D            |          |
| C332     |          |           | CE04KW1A101M  | ELECTRO 100UF   | 10WV         |          |
| C333     |          |           | CE04KW1H4R7M  | ELECTRO 4.7UF   | 50WV         |          |
| C334     |          |           | CE04KW1H010M  | ELECTRO 1.0UF   | 50WV         |          |
| C335     |          |           | CE04LW1H100M  | ELECTRO 10UF    | 50WV         |          |
| C336     |          |           | CE04KW1A221M  | ELECTRO 220UF   | 10WV         |          |
| C337     |          |           | CE04HW1E100M  | NP-ELEC 10UF    | 25WV         |          |
| C338     |          |           | CE04KW1E470M  | ELECTRO 47UF    | 25WV         |          |
| C339-343 |          |           | CC45FSL1H101J | CERAMIC 100PF   | J            | E3E4     |
| C339-343 |          |           | CC45FSL1H101J | CERAMIC 100PF   | J            | K3P3K4   |
| C339-343 |          |           | CC45FSL1H101J | CERAMIC 100PF   | J            | M3M4X4   |
| C339-343 |          |           | CC45FSL1H101J | CERAMIC 100PF   | J            | P4       |
| C339-343 |          |           | CC45FSL1H101J | CERAMIC 100PF   | J            | 7        |
| C350     |          |           | CQ93FMG1H122J | MYLAR 1200PF    | J            |          |
| C351     |          |           | CQ93FMG1H332J | MYLAR 3300PF    | J            |          |
| C352,353 |          |           | CE04KW1H2R2M  | ELECTRO 2.2UF   | 50WV         |          |
| C354     |          |           | CK45FB1H471K  | CERAMIC 470PF   | K            |          |
| C355,356 |          |           | CK45FB1H102K  | CERAMIC 1000PF  | K            |          |
| C357     |          |           | CE04KW1H2R2M  | ELECTRO 2.2UF   | 50WV         |          |
| C358     |          |           | CQ93FMG1H104J | MYLAR 0.10UF    | J            |          |
| C359-364 |          |           | CE04KW1H4R7M  | ELECTRO 4.7UF   | 50WV         |          |
| C365-370 |          |           | CE04KW1H2R2M  | ELECTRO 2.2UF   | 50WV         |          |
| C371     |          |           | CQ93FMG1H104J | MYLAR 0.10UF    | J            |          |
| C372     |          |           | CQ93FMG1H332J | MYLAR 3300PF    | J            |          |
| C373,374 |          |           | CQ93FMG1H104J | MYLAR 0.10UF    | J            |          |
| C375     |          |           | CK45FF1H103Z  | CERAMIC 0.010UF | Z            |          |
| C376,377 |          |           | CE04LW1A101M  | ELECTRO 100UF   | 10WV         |          |
| C378     |          |           | CE04KW1H010M  | ELECTRO 1.0UF   | 50WV         |          |
| C379     |          |           | CK45FB1H471K  | CERAMIC 470PF   | K            |          |
| C380     |          |           | CE04KW1H4R7M  | ELECTRO 4.7UF   | 50WV         |          |
| C384-386 |          |           | CK45FB1H471K  | CERAMIC 470PF   | K            |          |
| C401     |          |           | CE04KW1A101M  | ELECTRO 100UF   | 10WV         |          |
| C403,404 |          |           | CE04KW2A100M  | ELECTRO 10UF    | 100WV        |          |
| C405     |          |           | CC45FSL1H470J | CERAMIC 47PF    | J            |          |
| C406,407 |          |           | CE04KW1H2R2M  | ELECTRO 2.2UF   | 50WV         |          |
| C408,409 |          |           | CK45FB1H471K  | CERAMIC 470PF   | K            |          |
| C410,411 |          |           | CC45FSL1H331J | CERAMIC 330PF   | J            |          |
| C412,413 |          |           | CE04KW1A101M  | ELECTRO 100UF   | 10WV         |          |

L : Scandinavia    K : USA    P : Canada    R : Mexico    C : China    I : Malaysia  
Y : PX(Far East,Hawaii)    T : England    E : Europe    G : Germany    V : China(Shanghai)  
Y : AAFES(Europe)    X : Australia    Q : Russia    H : Korea    M : Other Areas    Δ indicates safety critical components.

\* New Parts

Parts without **Parts No.** are not supplied.  
Les articles non mentionnés dans le **Parts No.** ne sont pas fournis.  
Teile ohne **Parts No.** werden nicht geliefert.

15

| Ref. No  | Add-ress | New Parts | Parts No.     | Description               | Desti-nation | Re-marks |
|----------|----------|-----------|---------------|---------------------------|--------------|----------|
| C416,417 |          |           | CC45FSL1H100D | CERAMIC 10PF              | D            |          |
| C424,425 |          |           | CK45FF1H472Z  | CERAMIC 4700PF            | Z            |          |
| C426-429 |          |           | C91-1573-05   | MP-C 0.10UF               | J            |          |
| C430     |          |           | CK45FF1H472Z  | CERAMIC 4700PF            | Z            | 67       |
| C431     |          |           | CC45FSL1H100D | CERAMIC 10PF              | D            | 67       |
| C433     |          |           | CE04KW1A101M  | ELECTRO 100UF             | 10WV         | 67       |
| C434     |          |           | CC45FSL1H331J | CERAMIC 330PF             | J            | 67       |
| C435     |          |           | CK45FB1H471K  | CERAMIC 470PF             | K            | 67       |
| C436     |          |           | CE04KW1H2R2M  | ELECTRO 2.2UF             | 50WV         | 67       |
| C437,438 |          |           | C91-1573-05   | MP-C 0.10UF               | J            | 67       |
| C439-443 |          |           | CK45FB1H222K  | CERAMIC 2200PF            | K            |          |
| C444     |          |           | CC45FSL1H221J | CERAMIC 220PF             | J            | 457      |
| C445     |          |           | CC45FSL1H560J | CERAMIC 56PF              | J            |          |
| C446     |          |           | CK45FB1H222K  | CERAMIC 2200PF            | K            | 67       |
| C638-642 |          |           | CC45FSL1H470J | CERAMIC 47PF              | J            |          |
| C643-645 |          |           | CE04KW1E470M  | ELECTRO 47UF              | 25WV         |          |
| C648     |          |           | CE04RW1C100M  | ELECTRO 10UF              | 16WV         |          |
| C652     |          |           | CE04RW1C100M  | ELECTRO 10UF              | 16WV         |          |
| C701     |          |           | CC45FSL1H101J | CERAMIC 100PF             | J            | 7        |
| C702     |          |           | CE04KW1H2R2M  | ELECTRO 2.2UF             | 50WV         | 7        |
| C703     |          |           | CC45FSL1H101J | CERAMIC 100PF             | J            | 7        |
| C704     |          |           | CE04KW1H4R7M  | ELECTRO 4.7UF             | 50WV         | 7        |
| C826,827 |          |           | CK45FB1H471K  | CERAMIC 470PF             | K            |          |
| CN101    |          |           | E40-8481-05   | FLAT CABLE CONNECTOR      |              |          |
| CN102    |          |           | E40-8502-05   | FLAT CABLE CONNECTOR      |              |          |
| CN103    |          |           | E40-8481-05   | FLAT CABLE CONNECTOR      |              |          |
| CN201    |          |           | E40-8484-05   | FLAT CABLE CONNECTOR      |              |          |
| J201     |          | *         | E63-1321-05   | PIN JACK                  |              | 4        |
| J202     |          | *         | E63-1301-05   | PIN JACK                  |              |          |
| J203     |          | *         | E63-1301-05   | PIN JACK                  |              | E6       |
| J203     |          | *         | E63-1301-05   | PIN JACK                  |              | K1P1     |
| J203     |          | *         | E63-1301-05   | PIN JACK                  |              | M6X5X6   |
| J203     |          | *         | E63-1301-05   | PIN JACK                  |              | 4        |
| J203     |          | *         | E63-1321-05   | PIN JACK                  |              | E3E4     |
| J203     |          | *         | E63-1321-05   | PIN JACK                  |              | K3P3K4   |
| J203     |          | *         | E63-1321-05   | PIN JACK                  |              | M3M4X4   |
| J203     |          | *         | E63-1321-05   | PIN JACK                  |              | P4       |
| J203     |          | *         | E63-1321-05   | PIN JACK                  |              | 7        |
| J204     |          | *         | E63-1322-05   | PIN JACK                  |              | E3E4     |
| J204     |          | *         | E63-1322-05   | PIN JACK                  |              | K3P3K4   |
| J204     |          | *         | E63-1322-05   | PIN JACK                  |              | M3M4X4   |
| J204     |          | *         | E63-1322-05   | PIN JACK                  |              | P4       |
| J204     |          | *         | E63-1322-05   | PIN JACK                  |              | 7        |
| Δ J205   |          |           | E03-0396-05   | AC OUTLET                 |              | KP       |
| Δ J205   |          |           | E03-0398-05   | AC OUTLET                 |              | EM       |
| Δ J206   |          |           | E03-0325-05   | AC OUTLET                 |              | X        |
| J401     |          |           | E70-0156-05   | LOCK TERMINAL BOARD       |              |          |
| J402     |          | *         | E70-0175-05   | LOCK TERMINAL BOARD       |              | 45       |
| J403     |          |           | E70-0154-05   | LOCK TERMINAL BOARD       |              | 67       |
| J404     |          |           | E63-1146-05   | PIN JACK                  |              | 457      |
| J603     |          | *         | E63-1291-05   | PIN JACK                  |              |          |
| J604     |          | *         | E63-1314-05   | PIN JACK                  |              |          |
| J801     |          |           | E11-0271-05   | PHONE JACK (METAL SLEEVE) |              |          |
| Δ F101   |          |           | F05-2525-05   | FUSE (250V T2.5AL)        |              | 4        |
| Δ F101   |          |           | F05-3121-05   | FUSE (250V T3.15AL)       |              | E3E4     |

L : Scandinavia    K : USA    P : Canada    R : Mexico    C : China    I : Malaysia  
Y : PX(Far East,Hawaii)    T : England    E : Europe    G : Germany    V : China(Shanghai)  
Y : AAFES(Europe)    X : Australia    Q : Russia    H : Korea    M : Other Areas    Δ indicates safety critical components.

KRF-V4070D/V5070D/V6070D/MR-705/707/715/716  
PARTS LIST

\* New Parts  
Parts without **Parts No.** are not supplied.  
Les articles non mentionnés dans le **Parts No.** ne sont pas fournis.  
Teile ohne **Parts No.** werden nicht geliefert.

17

| Ref. No    | Add-ress | New Parts | Parts No.    | Description             | Desti-nation | Re-marks |
|------------|----------|-----------|--------------|-------------------------|--------------|----------|
| △ F101     |          |           | F05-3121-05  | FUSE (250V T3.15AL)     | E6           |          |
| △ F101     |          |           | F05-3121-05  | FUSE (250V T3.15AL)     | M3M4X4       |          |
| △ F101     |          |           | F05-3121-05  | FUSE (250V T3.15AL)     | M6X5X6       |          |
| △ F101     |          |           | F05-3121-05  | FUSE (250V T3.15AL)     | M7M8X7       |          |
| △ F101     |          |           | F05-3121-05  | FUSE (250V T3.15AL)     | X8E7E8       |          |
| △ F101     |          |           | F50-0077-05  | FUSE (125V T8A)         | KP           |          |
| △ F102     |          |           | F06-1022-05  | FUSE (250V T1AL)        | MXE          |          |
| △ F103     |          |           | F05-3121-05  | FUSE (250V T3.15AL)     | M            |          |
| L301-303   |          |           | L39-1373-05  | PHASE COMPENSATION COIL |              |          |
| L401,402   |          |           | L39-1373-05  | PHASE COMPENSATION COIL |              |          |
| L403       |          |           | L39-1373-05  | PHASE COMPENSATION COIL | 67           |          |
| △ T101     |          |           | L07-2758-05  | POWER TRANSFORMER       | KPEX         |          |
| △ T101     |          |           | L07-2761-05  | POWER TRANSFORMER       | KPEX         |          |
| △ T101     |          |           | L07-2805-05  | POWER TRANSFORMER       | M            |          |
| X101       |          |           | L77-2002-05  | CRYSTAL RESONATOR       | E            |          |
| △ R123     |          |           | RD14NB2E1R0J | RD 1 1/4W               |              |          |
| R124       |          |           | RS14KB3A221J | FL-PROOF RS 220 J 1W    | KPM          |          |
| R125       |          |           | RD14NB2E1R0J | RD 1 J 1/4W             | EX           |          |
| R125       |          |           | RD14NB2E270J | RD 27 J 1/4W            | KPM          |          |
| △ R126     |          |           | RD14NB2E101J | RD 100 J 1/4W           |              |          |
| R127       |          |           | RD14NB2E822J | RD 8.2K J 1/4W          |              |          |
| △ R132     |          |           | R92-1844-05  | CARBON 3.3M J 1/2W      | KP           |          |
| △ R141,142 |          |           | RD14NB2E1R0J | RD 1 J 1/4W             |              |          |
| R262       |          |           | RD14BB2C132J | RD 1.3K J 1/6W          |              |          |
| △ R316,317 |          |           | RS14KB3A472J | FL-PROOF RS 4.7K J 1W   | 567          |          |
| R334,335   |          |           | RD14NB2E4R7J | RD 4.7 J 1/4W           |              |          |
| R338-341   |          |           | RS14KB3DR22J | FL-PROOF RS 0.22 J 2W   |              |          |
| R342,343   |          |           | RS14KB3D4R7J | FL-PROOF RS 4.7 J 2W    |              |          |
| R345       |          |           | RS14KB3D4R7J | FL-PROOF RS 4.7 J 2W    |              |          |
| R347       |          |           | RD14NB2E4R7J | RD 4.7 J 1/4W           |              |          |
| R348,349   |          |           | RS14KB3DR22J | FL-PROOF RS 0.22 J 2W   |              |          |
| R365       |          |           | RD14NB2E561J | RD 560 J 1/4W           |              |          |
| R410       |          |           | RD14NB2E103J | RD 10K J 1/4W           |              |          |
| R411       |          |           | RD14NB2E101J | RD 100 J 1/4W           |              |          |
| R414       |          |           | RD14NB2E101J | RD 100 J 1/4W           |              |          |
| R415       |          |           | RD14NB2E103J | RD 10K J 1/4W           |              |          |
| R436       |          |           | RD14NB2E4R7J | RD 4.7 J 1/4W           |              |          |
| R438,439   |          |           | RS14KB3D391J | FL-PROOF RS 390 J 2W    |              |          |
| R452,453   |          |           | RS14KB3A472J | FL-PROOF RS 4.7K J 1W   | 567          |          |
| R460-463   |          |           | RS14KB3DR22J | FL-PROOF RS 0.22 J 2W   |              |          |
| R466,467   |          |           | RD14NB2E4R7J | RD 4.7 J 1/4W           |              |          |
| R468,469   |          |           | RS14KB3D4R7J | FL-PROOF RS 4.7 J 2W    |              |          |
| R473,474   |          |           | RS14KB3DR22J | FL-PROOF RS 0.22 J 2W   | 67           |          |
| R475       |          |           | RD14NB2E4R7J | RD 4.7 J 1/4W           | 67           |          |
| R476       |          |           | RS14KB3D4R7J | FL-PROOF RS 4.7 J 2W    | 67           |          |
| R478-480   |          |           | RS14KB3A151J | FL-PROOF RS 150 J 1W    |              |          |
| R995,996   |          |           | RS14KB3D332J | FL-PROOF RS 3.3K J 2W   | 567          |          |
| △ K101     |          |           | S76-0099-05  | MAGNETIC RELAY          | KP           |          |
| △ K101     |          |           | S76-0102-05  | MAGNETIC RELAY          | MXE          |          |
| K401-403   |          |           | S76-0097-05  | MAGNETIC RELAY          |              |          |
| △ S101     |          |           | S62-0001-05  | SLIDE SWITCH            | M            |          |
| △ S102     |          |           | S68-0107-05  | PUSH SWITCH             | MXE          |          |
| D113       |          |           | RB441Q-40    | DIODE                   |              |          |
| △ D114-116 |          |           | HSS104A      | DIODE                   |              |          |

L : Scandinavia K : USA P : Canada R : Mexico C : China I : Malaysia  
Y : PX(Far East,Hawaii) T : England E : Europe G : Germany V : China(Shanghai)  
Y : AAFES(Europe) X : Australia Q : Russia H : Korea M : Other Areas △ indicates safety critical components .

\* New Parts  
Parts without **Parts No.** are not supplied.  
Les articles non mentionnés dans le **Parts No.** ne sont pas fournis.  
Teile ohne **Parts No.** werden nicht geliefert.

18

| Ref. No    | Add-ress | New Parts | Parts No.    | Description | Desti-nation | Re-marks |
|------------|----------|-----------|--------------|-------------|--------------|----------|
| △ D114-116 |          |           | 1SS133       | DIODE       |              |          |
| △ D117     |          |           | S1ZB20(4101) | DIODE       |              |          |
| D118       |          |           | HZS16N(B2)   | ZENER DIODE |              |          |
| D118       |          |           | MTZJ16(B)    | ZENER DIODE |              |          |
| D119       |          |           | HZS15N(B2)   | ZENER DIODE |              |          |
| D119       |          |           | MTZJ15(B)    | ZENER DIODE |              |          |
| △ D120     |          |           | D2SBA20F03   | DIODE       |              |          |
| △ D121     |          |           | D5SBA20F03   | DIODE       |              | 567      |
| △ D122     |          |           | D5SBA20F03   | DIODE       |              | M        |
| △ D123,124 |          |           | HSS104A      | DIODE       |              |          |
| D123,124   |          |           | 1SS133       | DIODE       |              |          |
| D201       |          |           | HZS6.8N(B2)  | ZENER DIODE |              |          |
| D201       |          |           | MTZJ6.8(B)   | ZENER DIODE |              |          |
| D202       |          |           | HZS5.1N(B2)  | ZENER DIODE |              |          |
| D202       |          |           | MTZJ5.1(B)   | ZENER DIODE |              |          |
| D203       |          |           | HZS6.8N(B2)  | ZENER DIODE |              |          |
| D203       |          |           | MTZJ6.8(B)   | ZENER DIODE |              |          |
| D215       |          |           | HSS104A      | DIODE       |              | KPM      |
| D215       |          |           | 1SS133       | DIODE       |              | KPM      |
| D301,302   |          |           | HZS15N(B2)   | ZENER DIODE |              | 567      |
| D301,302   |          |           | MTZJ15(B)    | ZENER DIODE |              |          |
| D303,304   |          |           | HSS104A      | DIODE       |              |          |
| D303,304   |          |           | 1SS133       | DIODE       |              |          |
| D305,306   |          |           | HZS10N(B2)   | ZENER DIODE |              | MXE      |
| D305,306   |          |           | HZS11N(B2)   | ZENER DIODE |              | KP       |
| D305,306   |          |           | MTZJ10(B)    | ZENER DIODE |              | MXE      |
| D305,306   |          |           | MTZJ11(B)    | ZENER DIODE |              | KP       |
| D307       |          |           | HZS3.9N(B2)  | ZENER DIODE |              |          |
| D307       |          |           | MTZJ3.9(B)   | ZENER DIODE |              |          |
| D308-310   |          |           | HSS104A      | DIODE       |              |          |
| D308-310   |          |           | 1SS133       | DIODE       |              |          |
| D311,312   |          |           | HZS3.9N(B2)  | ZENER DIODE |              |          |
| D311,312   |          |           | MTZJ3.9(B)   | ZENER DIODE |              |          |
| D313       |          |           | HSS104A      | DIODE       |              |          |
| D313       |          |           | 1SS133       | DIODE       |              |          |
| D314       |          |           | HZS3.9N(B2)  | ZENER DIODE |              |          |
| D314       |          |           | MTZJ3.9(B)   | ZENER DIODE |              |          |
| D315       |          |           | HSS104A      | DIODE       |              |          |
| D315       |          |           | 1SS133       | DIODE       |              |          |
| D316       |          |           | HZS3.9N(B2)  | ZENER DIODE |              |          |
| D316       |          |           | MTZJ3.9(B)   | ZENER DIODE |              |          |
| D316       |          |           | HSS104A      | DIODE       |              |          |
| D317,318   |          |           | 1SS133       | DIODE       |              |          |
| D317,318   |          |           | HZS11N(B2)   | ZENER DIODE |              | E3E4     |
| D319       |          |           | HZS11N(B2)   | ZENER DIODE |              | E6       |
| D319       |          |           | HZS11N(B2)   | ZENER DIODE |              |          |
| D319       |          |           | HZS11N(B2)   | ZENER DIODE |              | E7E8     |
| D319       |          |           | MTZJ11(B)    | ZENER DIODE |              | E3E4     |
| D319       |          |           | MTZJ11(B)    | ZENER DIODE |              | E6       |
| D319       |          |           | MTZJ11(B)    | ZENER DIODE |              | E7E8     |
| D319,320   |          |           | HZS15N(B2)   | ZENER DIODE |              | KP       |
| D319,320   |          |           | HZS16N(B2)   | ZENER DIODE |              | M3M4X4   |
| D319,320   |          |           | HZS16N(B2)   | ZENER DIODE |              | M6X5X6   |
| D319,320   |          |           | HZS16N(B2)   | ZENER DIODE |              | M7M8X7   |
| D319,320   |          |           | HZS16N(B2)   | ZENER DIODE |              | X8       |
| D319,320   |          |           | MTZJ15(B)    | ZENER DIODE |              | KP       |

L : Scandinavia K : USA P : Canada R : Mexico C : China I : Malaysia  
Y : PX(Far East,Hawaii) T : England E : Europe G : Germany V : China(Shanghai)  
Y : AAFES(Europe) X : Australia Q : Russia H : Korea M : Other Areas △ indicates safety critical components .

## PARTS LIST

KRF-V4070DN/5070DN/6070DN/R-705/707/715/716

\* New Parts

Parts without **Parts No.** are not supplied.  
Les articles non mentionnés dans le **Parts No.** ne sont pas fournis.  
Teile ohne **Parts No.** werden nicht geliefert.

15

| Ref. No  | Add-ress | New Parts | Parts No.     | Description | Desti-nation | Re-marks |
|----------|----------|-----------|---------------|-------------|--------------|----------|
| D319,320 |          |           | MTZJ16(B)     | ZENER DIODE | M3M4X4       |          |
| D319,320 |          |           | MTZJ16(B)     | ZENER DIODE | M6X5X6       |          |
| D319,320 |          |           | MTZJ16(B)     | ZENER DIODE | M7M8X7       |          |
| D319,320 |          |           | MTZJ16(B)     | ZENER DIODE | X8           |          |
| D320     |          |           | HZS13N(B2)    | ZENER DIODE | E6           |          |
| D320     |          |           | HZS13N(B2)    | ZENER DIODE | E7E8         |          |
| D320     |          |           | MTZJ13(B)     | ZENER DIODE | E3E4         |          |
| D320     |          |           | MTZJ13(B)     | ZENER DIODE | E6           |          |
| D320     |          |           | MTZJ13(B)     | ZENER DIODE | E7E8         |          |
| D323     |          |           | HSS104A       | DIODE       |              |          |
| D323     |          |           | 1SS133        | DIODE       |              |          |
| D401,402 |          |           | HZS15N(B2)    | ZENER DIODE | 567          |          |
| D401,402 |          |           | MTZJ15(B)     | ZENER DIODE | 567          |          |
| D403,404 |          |           | HSS104A       | DIODE       |              |          |
| D403,404 |          |           | 1SS133        | DIODE       |              |          |
| D406-408 |          |           | HSS104A       | DIODE       |              |          |
| D406-408 |          |           | 1SS133        | DIODE       |              |          |
| D602,603 |          |           | HZS5.6N(B2)   | ZENER DIODE |              |          |
| D602,603 |          |           | MTZJ5.6(B)    | ZENER DIODE |              |          |
| D999     |          |           | HSS104A       | DIODE       |              |          |
| D999     |          |           | 1SS133        | DIODE       |              |          |
| IC101    |          |           | BU1923        | ANALOGUE IC | E            |          |
| IC105    |          |           | BA05T         | ANALOGUE IC |              |          |
| IC106    |          |           | KIA7812API    | ANALOGUE IC |              |          |
| IC107    |          |           | KIA7912PI     | ANALOGUE IC | E3E4         |          |
| IC201    |          |           | NJM4580L-D    | ANALOGUE IC | E7E8         |          |
| IC201    |          |           | NJM4580L-D    | ANALOGUE IC |              |          |
| IC202    |          |           | M61516FP      | ANALOGUE IC |              |          |
| IC206    |          |           | NJM4565D      | ANALOGUE IC |              |          |
| IC301    |          |           | STK413-020A   | HYBRID IC   | 567          |          |
| IC301    |          |           | STK413-220A   | HYBRID IC   | 567          |          |
| IC301    |          |           | STK443-070    | HYBRID IC   | 4            |          |
| IC401    |          |           | STK412-020A   | HYBRID IC   | 5            |          |
| IC401    |          |           | STK412-220A   | HYBRID IC   | 5            |          |
| IC401    |          |           | STK413-020A   | HYBRID IC   | 67           |          |
| IC401    |          |           | STK413-220A   | HYBRID IC   | 67           |          |
| IC401    |          |           | STK442-070    | HYBRID IC   | 4            |          |
| IC607    |          |           | NJM2279D      | ANALOGUE IC |              |          |
| Q113     |          |           | 2SB1640       | TRANSISTOR  |              |          |
| Q114     |          |           | 2SC1740S(Q,R) | TRANSISTOR  |              |          |
| Q114     |          |           | 2SC2785(F,E)  | TRANSISTOR  |              |          |
| Q201     |          |           | 2SC1845(F,E)  | TRANSISTOR  |              |          |
| Q203     |          |           | 2SA992(F,E)   | TRANSISTOR  |              |          |
| Q301-306 |          |           | 2SC2878(B)    | TRANSISTOR  |              |          |
| Q307,308 |          |           | 2SA992(F,E)   | TRANSISTOR  |              |          |
| Q309-315 |          |           | 2SC1845(F,E)  | TRANSISTOR  |              |          |
| Q316     |          |           | 2SA992(F,E)   | TRANSISTOR  |              |          |
| Q317,318 |          |           | 2SC2878(B)    | TRANSISTOR  |              |          |
| Q319     |          |           | 2SA992(F,E)   | TRANSISTOR  |              |          |
| Q401     |          |           | 2SC1845(F,E)  | TRANSISTOR  |              |          |
| Q402     |          |           | 2SA1535A      | TRANSISTOR  |              |          |
| Q403     |          |           | 2SC3944A      | TRANSISTOR  |              |          |
| Q404     |          |           | 2SC1845(F,E)  | TRANSISTOR  |              |          |
| Q405     |          |           | 2SA992(F,E)   | TRANSISTOR  |              |          |

L : Scandinavia    K : USA    P : Canada    R : Mexico    C : China    I : Malaysia  
Y : PX(Far East,Hawaii)    T : England    E : Europe    G : Germany    V : China(Shanghai)  
Y : AAFES(Europe)    X : Australia    Q : Russia    H : Korea    M : Other Areas    Δ indicates safety critical components.

\* New Parts

Parts without **Parts No.** are not supplied.  
Les articles non mentionnés dans le **Parts No.** ne sont pas fournis.  
Teile ohne **Parts No.** werden nicht geliefert.

20

| Ref. No                                  | Add-ress | New Parts | Parts No.     | Description          | Desti-nation | Re-marks |
|--|----------|-----------|---------------|----------------------|--------------|----------|
| Q406                                     |          |           | 2SB1640       | TRANSISTOR           |              |          |
| Q407,408                                 |          |           | 2SC1845(F,E)  | TRANSISTOR           | 67           |          |
| Q409                                     |          |           | 2SC1845(F,E)  | TRANSISTOR           |              |          |
| Q410,411                                 |          |           | DTC113ZSA     | DIGITAL TRANSISTOR   |              |          |
| Q410,411                                 |          |           | UN4219        | DIGITAL TRANSISTOR   |              |          |
| Q412                                     |          |           | 2SC1740S(Q,R) | TRANSISTOR           |              |          |
| Q412                                     |          |           | 2SC2785(F,E)  | TRANSISTOR           |              |          |
| Q701                                     |          |           | 2SC2878(B)    | TRANSISTOR           | 7            |          |
| Q800                                     |          |           | 2SC1845(F,E)  | TRANSISTOR           | 7            |          |
| Q801,802                                 |          |           | 2SA992(F,E)   | TRANSISTOR           | 7            |          |
| Q803                                     |          |           | DTC113ZSA     | DIGITAL TRANSISTOR   | 7            |          |
| Q803                                     |          |           | UN4219        | DIGITAL TRANSISTOR   | 7            |          |
| <b>DISPLAY (X14-7650-10/X14-7660-10)</b> |          |           |               |                      |              |          |
| D805-808                                 |          |           | B30-2545-05   | LED(RED3(160))       |              |          |
| C801                                     |          |           | CE04RW1H330M  | ELECTRO              | 33UF         | 50WV     |
| C802,803                                 |          |           | CE04RW1H010M  | ELECTRO              | 1.0UF        | 50WV     |
| C804                                     |          |           | CE04LW1H470M  | ELECTRO              | 47UF         | 50WV     |
| C805                                     |          |           | CE04RW1A101M  | ELECTRO              | 100UF        | 10WV     |
| C806                                     |          |           | CE04RW1E470M  | ELECTRO              | 47UF         | 25WV     |
| C807                                     |          |           | CE04RW1H100M  | ELECTRO              | 10UF         | 50WV     |
| C809                                     |          |           | CE04RW1H010M  | ELECTRO              | 1.0UF        | 50WV     |
| C810                                     |          |           | C90-1826-05   | BACKUP-C             | 0.047F       | 5.5WV    |
| C811                                     |          |           | CE04RW1A101M  | ELECTRO              | 100UF        | 10WV     |
| C812                                     |          |           | CE04HW1H100M  | NP-ELEC              | 10UF         | 50WV     |
| C813                                     |          |           | CK45FF1H103Z  | CERAMIC              | 0.010UF      | Z        |
| C814                                     |          |           | CC45FSL1H101J | CERAMIC              | 100PF        | J        |
| C815,816                                 |          |           | CK45FF1H103Z  | CERAMIC              | 0.010UF      | Z        |
| C817                                     |          |           | CC45FSL1H101J | CERAMIC              | 100PF        | J        |
| C818,819                                 |          |           | CK45FF1H103Z  | CERAMIC              | 0.010UF      | Z        |
| C820,821                                 |          |           | C91-0769-05   | CERAMIC              | 0.010UF      | K        |
| C822-825                                 |          |           | CK45FF1H103Z  | CERAMIC              | 0.010UF      | Z        |
| C827                                     |          |           | CE04RW1H100M  | ELECTRO              | 10UF         | 50WV     |
| C828-832                                 |          |           | CK45FF1H103Z  | CERAMIC              | 0.010UF      | Z        |
| C833                                     |          |           | CC45FSL1H101J | CERAMIC              | 100PF        | J        |
| C834                                     |          |           | CQ93FMG1H103J | MYLAR                | 0.010UF      | J        |
| C835                                     |          |           | CF92FV1H104J  | MF-C                 | 0.10UF       | J        |
| C836-839                                 |          |           | C91-0745-05   | CERAMIC              | 100PF        | K        |
| C840                                     |          |           | CQ93FMG1H104J | MYLAR                | 0.10UF       | J        |
| C841                                     |          |           | C91-0745-05   | CERAMIC              | 100PF        | K        |
| C843                                     |          |           | CE04KW1H2R2M  | ELECTRO              | 2.2UF        | 50WV     |
| C844,845                                 |          |           | CK45FF1H103Z  | CERAMIC              | 0.010UF      | Z        |
| C846                                     |          |           | CQ93FMG1H103J | MYLAR                | 0.010UF      | J        |
| C847,848                                 |          |           | C91-0745-05   | CERAMIC              | 100PF        | K        |
| C849                                     |          |           | CC45FSL1H100D | CERAMIC              | 10PF         | D        |
| C850                                     |          |           | CC45FSL1H101J | CERAMIC              | 100PF        | J        |
| C851                                     |          |           | C91-0745-05   | CERAMIC              | 100PF        | K        |
| CN801                                    |          |           | E40-8502-05   | FLAT CABLE CONNECTOR |              |          |
| CN802                                    |          |           | E40-8501-05   | FLAT CABLE CONNECTOR |              |          |
| CN803                                    |          |           | E40-8503-05   | FLAT CABLE CONNECTOR |              |          |
| CN805                                    |          |           | E40-3263-05   | PIN ASSY             |              |          |
| X800                                     |          |           | L78-0747-05   | RESONATOR            | (4MHZ)       |          |
| X801                                     |          |           | L78-0725-05   | RESONATOR            | (8.38MHZ)    |          |

L : Scandinavia    K : USA    P : Canada    R : Mexico    C : China    I : Malaysia  
Y : PX(Far East,Hawaii)    T : England    E : Europe    G : Germany    V : China(Shanghai)  
Y : AAFES(Europe)    X : Australia    Q : Russia    H : Korea    M : Other Areas    Δ indicates safety critical components.

KRF-V4070D/V5070D/V6070D/MR-705/707/715/716  
PARTS LIST

\* New Parts  
Parts without **Parts No.** are not supplied.  
Les articles non mentionnés dans le **Parts No.** ne sont pas fournis.  
Teile ohne **Parts No.** werden nicht geliefert.

21

| Ref. No  | Add-ress | New Parts | Parts No.  | Description   | Desti-nation  | Re-marks |
|--|----------|-----------|--|---|---------------|----------|
| CP801<br>CP802<br>CP803<br>R849                  |          |           | R90-0500-05<br>R90-0855-05<br>R90-0493-05<br>RD14NB2E2R2J                      | MULTI-COMP 100KX6 J 1/4W<br>MULTI-COMP 100KX5 J<br>MULTI-COMP 100KX9 J 1/6W<br>RD 2.2 J 1/4W        |               |          |
| S801-812<br>S801-812                             |          |           | S70-0031-05<br>S70-0086-05   | TACT SWITCH<br>TACT SWITCH  |               |          |
| S813,814<br>S815                                 |          |           | T99-0666-05<br>T99-0664-05   | ROTARY ENCODER<br>ROTARY ENCODER  |               |          |
| D801<br>D801<br>D802-804<br>D802-804<br>D809     |          |           | MTZJ6.2(B)<br>RD6.2ES(B)<br>HSS104A<br>1SS133<br>HSS104A                       | ZENER DIODE<br>ZENER DIODE<br>DIODE<br>DIODE<br>DIODE   |               |          |
| D809<br>D810<br>D810<br>D811<br>D811             |          |           | 1SS133<br>HSS104A<br>1SS133<br>HSS104A<br>1SS133                               | DIODE<br>DIODE<br>DIODE<br>DIODE<br>DIODE   | KPM<br>KPM    |          |
| Δ D812,813<br>D814<br>D814<br>D816<br>D816       |          |           | RB441Q-40<br>HSS104A<br>1SS133<br>HSS104A<br>1SS133                            | DIODE<br>DIODE<br>DIODE<br>DIODE<br>DIODE   | M<br>M        |          |
| D819-828<br>D819-828<br>ED801<br>IC801<br>IC802  |          |           | HSS104A<br>1SS133<br>11MT129GNK<br>MN12510F<br>S-80840CNY                      | DIODE<br>DIODE<br>FLUORESCENT INDICATOR TUBE<br>MOS-IC<br>ANALOGUE IC                               |               |          |
| IC803<br>IC804<br>IC804<br>IC806<br>Q802         |          | *         | XC6202P502TH<br>MN101C49GGR<br>MN101C49KLE<br>S-80840CNY<br>2SC1740S(Q,R)      | MOS-IC<br>MI-COM IC<br>MI-COM IC<br>ANALOGUE IC<br>TRANSISTOR                                       | 7<br>456<br>M |          |
| Q802<br>Q803<br>Q803<br>Q804-807<br>Q804-807     |          |           | 2SC2785(F,E)<br>2SA1175(F,E)<br>2SA933AS(Q,R)<br>2SC1740S(Q,R)<br>2SC2785(F,E) | TRANSISTOR<br>TRANSISTOR<br>TRANSISTOR<br>TRANSISTOR<br>TRANSISTOR                                  |               |          |
| A801   |          |           | W02-2759-05  | ELECTRIC CIRCUIT MODULE   |               |          |
| <b>SUB (X25-6520-02) VR-707</b>                  |          |           |  |   |               |          |
| C501,502<br>C503-508<br>C509,510<br>C511,512     |          |           | CK73GB1H103K<br>CC73GCH1H470J<br>CE04LW1E470M<br>CE04LW1H100M                  | CHIP C 0.010UF K<br>CHIP C 47PF J<br>ELECTRO 47UF 25WV<br>ELECTRO 10UF 50WV                         |               |          |
| J501   |          | *         | E56-0049-05  | CYLINDRICAL RECEPTACLE  |               |          |
| R501-503<br>R505<br>R506<br>R507-510<br>R511,512 |          |           | RK73GB1J221J<br>RD14NB2E100J<br>RK73GB1J680J<br>RK73GB1J820J<br>RK73GB1J104J   | CHIP R 220 J 1/16W<br>RD 10 J 1/4W<br>CHIP R 68 J 1/16W<br>CHIP R 82 J 1/16W<br>CHIP R 100K J 1/16W |               |          |
| R513<br>R514                                     |          |           | RK73GB1J680J<br>RD14NB2E100J   | CHIP R 68 J 1/16W<br>RD 10 J 1/4W   |               |          |

L : Scandinavia K : USA P : Canada R : Mexico C : China I : Malaysia  
Y : PX(Far East,Hawaii) T : England E : Europe G : Germany V : China(Shanghai)  
Y : AAFES(Europe) X : Australia Q : Russia H : Korea M : Other Areas Δ indicates safety critical components .

\* New Parts  
Parts without **Parts No.** are not supplied.  
Les articles non mentionnés dans le **Parts No.** ne sont pas fournis.  
Teile ohne **Parts No.** werden nicht geliefert.

22

| Ref. No   | Add-ress | New Parts | Parts No.   | Description   | Desti-nation | Re-marks |
|---|----------|-----------|---|---|--------------|----------|
| R517,518<br>R552,553                              |          |           | RD14NB2E470J<br>RD14NB2E100J  | RD 47 J 1/4W<br>RD 10 J 1/4W  |              |          |
| D501,502<br>D501,502<br>IC501,502<br>Q501<br>Q501 |          |           | HZS6.2N(B2)<br>MTZJ6.2(B)<br>NJM2279M<br>2SC3940A(R,S)<br>2SD863(E,F) | ZENER DIODE<br>ZENER DIODE<br>ANALOGUE IC<br>TRANSISTOR<br>TRANSISTOR |              |          |
| Q502<br>Q502                                      |          |           | 2SA1534A(R,S)<br>2SB764(E,F)  | TRANSISTOR<br>TRANSISTOR  |              |          |

L : Scandinavia K : USA P : Canada R : Mexico C : China I : Malaysia  
Y : PX(Far East,Hawaii) T : England E : Europe G : Germany V : China(Shanghai)  
Y : AAFES(Europe) X : Australia Q : Russia H : Korea M : Other Areas Δ indicates safety critical components .

| Model Name   | Model #     | ABB. | Preamp      | Audio       | Display     | Sub         |
|--------------|-------------|------|-------------|-------------|-------------|-------------|
| KRF-V4070D   | Y05-4642-71 | E E1 | X08-3230-10 | X09-6742-72 | X14-7652-73 |             |
| KRF-V4070D-S | Y05-4640-70 | X X2 | X08-3230-10 | X09-6740-72 | X14-7650-73 | -           |
| KRF-V4070D-S | Y05-4642-72 | E E2 | X08-3230-10 | X09-6742-72 | X14-7652-73 | -           |
| KRF-V5070D   | Y05-4660-21 | M M3 | X08-3230-21 | X09-6740-21 | X14-7650-21 | -           |
| KRF-V5070D   | Y05-4662-71 | E E3 | X08-3230-10 | X09-6742-71 | X14-7652-71 | -           |
| KRF-V5070D-S | Y05-4660-22 | M M4 | X08-3230-21 | X09-6740-21 | X14-7650-21 | -           |
| KRF-V5070D-S | Y05-4660-71 | X X4 | X08-3230-10 | X09-6740-71 | X14-7650-71 | -           |
| KRF-V5070D-S | Y05-4662-72 | E E4 | X08-3230-10 | X09-6742-71 | X14-7652-71 | -           |
| VR-705       | Y05-4660-10 | K K1 | X08-3230-10 | X09-6740-10 | X14-7650-10 | -           |
| VR-705-S     | Y05-4661-01 | P P1 | X08-3230-10 | X09-6740-10 | X14-7650-10 | -           |
| VR-705-S     | Y05-4660-11 | K K6 | X08-3230-10 | X09-6740-10 | X14-7650-10 | -           |
| VR-705-S     | Y05-4661-02 | P P6 | X08-3230-10 | X09-6740-10 | X14-7650-10 | -           |
| KRF-V5570D   | Y05-4650-71 | X X5 | X08-3230-10 | X09-6750-71 | X14-7650-72 | -           |
| KRF-V5570D-S | Y05-4650-21 | M M6 | X08-3230-21 | X09-6750-21 | X14-7650-22 | -           |
| KRF-V5570D-S | Y05-4650-72 | X X6 | X08-3230-10 | X09-6750-71 | X14-7650-72 | -           |
| KRF-V5570D-S | Y05-4652-71 | E E6 | X08-3230-10 | X09-6752-71 | X14-7652-72 | -           |
| VR-715       | Y05-4650-10 | K K3 | X08-3230-10 | X09-6750-10 | X14-7650-11 | -           |
| VR-715-S     | Y05-4651-01 | P P3 | X08-3230-10 | X09-6750-10 | X14-7650-11 | -           |
| VR-715-S     | Y05-465-12  | K K5 | X08-3230-10 | X09-6750-10 | X14-7650-11 | -           |
| VR-715-S     | Y05-4651-13 | P P5 | X08-3230-10 | X09-6750-10 | X14-7650-11 | -           |
| VR-716       | Y05-4650-11 | K K4 | X08-3230-11 | X09-6750-11 | X14-7660-11 | -           |
| VR-716       | Y05-4651-02 | P P4 | X08-3230-11 | X09-6750-11 | X14-7660-11 | -           |
| KRF-V6070D   | Y05-4670-21 | M M7 | X08-3130-24 | X09-6750-22 | X14-7660-21 | -           |
| KRF-V6070D   | Y05-4670-71 | X X7 | X08-3130-14 | X09-6750-72 | X14-7660-71 | -           |
| KRF-V6070D   | Y05-4672-71 | E E7 | X08-3130-14 | X09-6752-72 | X14-7662-71 | -           |
| KRF-V6070D-S | Y05-4670-22 | M M8 | X08-3130-24 | X09-6750-22 | X14-7660-21 | -           |
| KRF-V6070D-S | Y05-4670-72 | X X8 | X08-3130-14 | X09-6750-72 | X14-7660-71 | -           |
| KRF-V6070D-S | Y05-4672-72 | E E8 | X08-3130-14 | X09-6752-72 | X14-7662-71 | -           |
| VR-707       | Y05-4670-10 | K K2 | X08-3130-14 | X09-6750-12 | X14-7660-10 | X25-6520-12 |
| VR-707       | Y05-4671-01 | P P2 | X08-3130-14 | X09-6750-12 | X14-7660-10 | X25-6520-12 |

HOW TO READ THE PARTS LIST  
ABBREVIATION OF MODEL AND MASS PRODUCTION'S DESTINATIONS

| MODEL        | ABB. | Australia | Canada | China | England | Europe | Germany | Korea | Malaysia |
|--------------|------|-----------|--------|-------|---------|--------|---------|-------|----------|
| KRF-V4070D   | 4    | X         | P      | -     | E       | -      | -       | -     | -        |
| KRF-V4070D-S | 4    | X2        | -      | -     | E2      | -      | -       | -     | -        |
| KRF-V5070D   | 5    | -         | -      | -     | E3      | -      | -       | -     | -        |
| KRF-V5070D-S | 5    | X4        | -      | -     | E4      | -      | -       | -     | -        |
| KRF-V5570D   | 6    | X5        | -      | -     | -       | -      | -       | -     | -        |
| KRF-V5570D-S | 6    | X6        | -      | -     | E6      | -      | -       | -     | -        |
| KRF-V6070D   | 7    | X7        | -      | -     | E7      | -      | -       | -     | -        |
| KRF-V6070D-S | 7    | X8        | -      | -     | E8      | -      | -       | -     | -        |
| VR-705       | 5    | -         | P1     | -     | -       | -      | -       | -     | -        |
| VR-705-S     | 5    | -         | P6     | -     | -       | -      | -       | -     | -        |
| VR-707       | 7    | -         | P2     | -     | -       | -      | -       | -     | -        |
| VR-715       | 6    | -         | P3     | -     | -       | -      | -       | -     | -        |
| VR-715-S     | 6    | -         | P5     | -     | -       | -      | -       | -     | -        |
| VR-716       | 6    | -         | P4     | -     | -       | -      | -       | -     | -        |

| MODEL        | ABB. | Mexico | PX/AAFES | Russia | Scandinavia | Shanghai | USA | Other area |
|--------------|------|--------|----------|--------|-------------|----------|-----|------------|
| KRF-V4070D   | 4    | -      | -        | -      | -           | -        | K   | M          |
| KRF-V4070D-S | 4    | -      | -        | -      | -           | -        | -   | -          |
| KRF-V5070D   | 5    | -      | -        | -      | -           | -        | -   | M3         |
| KRF-V5070D-S | 5    | -      | -        | -      | -           | -        | -   | M4         |
| KRF-V5570D   | 6    | -      | -        | -      | -           | -        | -   | -          |
| KRF-V5570D-S | 6    | -      | -        | -      | -           | -        | -   | M6         |
| KRF-V6070D   | 7    | -      | -        | -      | -           | -        | -   | M7         |
| KRF-V6070D-S | 7    | -      | -        | -      | -           | -        | -   | M8         |
| VR-705       | 5    | -      | -        | -      | -           | -        | K1  | -          |
| VR-705       | 5    | -      | -        | -      | -           | -        | K6  | -          |
| VR-707       | 7    | -      | -        | -      | -           | -        | K2  | -          |
| VR-715       | 6    | -      | -        | -      | -           | -        | K3  | -          |
| VR-715-S     | 6    | -      | -        | -      | -           | -        | K5  | -          |
| VR-716       | 6    | -      | -        | -      | -           | -        | K4  | -          |

# KRF-V4070D/V5070D/V6070D/VR-705/707/715/716

## SPECIFICATIONS

### For the U.S.A and Canada

#### AUDIO section

Rated power output during STEREO operation

|   |
|---|
| 100 watts per channel minimum RMS, both channels driven, at 8Ω from 40 Hz to 20 kHz with no more than 0.7% total harmonic distortion. (FTC) |
|---|

Effective power output during SURROUND operation

|  |  |
|--|--|
| FRONT (40 ~ 20 kHz, 0.7% T.H.D. at 8Ω one channel driven)            | 100 W + 100 W  |
| CENTER (40 ~ 20 kHz, 0.7% T.H.D. at 8Ω one channel driven)           | 100 W  |
| SURROUND (40 ~ 20 kHz, 0.7% T.H.D. at 8Ω one channel driven)         | 100 W + 100 W  |
| SURROUND BACK (80 Hz, 0.7% T.H.D. at 8Ω one channel driven) (VR-707) | 100 W  |
| Total harmonic distortion  | 0.05% (1 kHz, 50 W, 8 Ω)   |
| Frequency response   | CD 20 Hz ~ 70 kHz, +0 dB, -3.0 dB                                      |
| Signal to noise ratio (IHF'66)                                       | CD 95 dB   |
| Input sensitivity / impedance  | CD 550 mV / 47 kΩ<br>DVD/6CH INPUT (VR-707) 550 mV / 47 kΩ             |
| Output level / impedance   | TAPE REC. 550 mV / 1 kΩ<br>PRE OUT (SUBWOOFER) (VR-707) 1.5 V / 2.2 kΩ |
| Tone control   | BASS ±10 dB (at 100 Hz)<br>TREBLE ±10 dB (at 10 kHz)                   |
| Loudness control   | VOLUME at -30dB level +8 dB (at 100 Hz)                                |

### For other countries

#### AUDIO section

Rated power output during STEREO operation

|   |
|---|
| 100 watts per channel minimum RMS, both channels driven, at 8Ω from 40 Hz to 20 kHz with no more than 0.7% total harmonic distortion. (FTC) |
|---|

Effective power output during SURROUND operation

|   |  |
|---|--|
| FRONT (1 kHz, 0.7% T.H.D. at 8 Ω one channel driven)                      | 100 W + 100 W  |
| CENTER (1 kHz, 0.7% T.H.D. at 8 Ω one channel driven)                     | 100 W  |
| SURROUND (1 kHz, 0.7% T.H.D. at 8Ω one channel driven)                    | 100 W + 100 W  |
| SURROUND BACK (80 Hz, 0.7% T.H.D. at 8 Ω one channel driven) (KRF-V6070D) | 100 W  |
| Total harmonic distortion   | 0.05% (1 kHz, 50 W, 8 Ω)   |
| Frequency response  | CD 20 Hz ~ 70 kHz, +0 dB, -3.0 dB  |
| Signal to noise ratio (IHF'66)  | CD, TUNER, AUX, TAPE 95 dB   |
| Input sensitivity / impedance   | CD 550 mV / 47 kΩ<br>DVD/6CH INPUT (KRF-V6070D) 550 mV / 10 kΩ             |
| Output level / impedance  | TAPE REC. 550 mV / 1 kΩ<br>PRE OUT (SUBWOOFER) (KRF-V6070D) 1.5 V / 2.2 kΩ |
| Tone control  | BASS ±10 dB (at 100 Hz)<br>TREBLE ±10 dB (at 10 kHz)                       |
| Loudness control  | VOLUME at -30dB level +8 dB (at 100 Hz)                                    |

#### DIGITAL AUDIO section

|                                       |   |
|---------------------------------------|---|
| Sampling frequency                    | 32 kHz, 44.1 kHz, 48 kHz, 96 kHz                                      |
| Input level / impedance / wave length | Optical (-15 dBm ~ -21 dBm), 660 nm ±30 nm<br>Coaxial 0.5 Vp-p / 75 Ω |

#### VIDEO section

|                        |                                 |
|------------------------|---------------------------------|
| VIDEO inputs / outputs | VIDEO (composite) 1 Vp-p / 75 Ω |
|------------------------|---------------------------------|

#### FM tuner section

|  |  |
|--|--|
| Tuning frequency range                     | 87.5 MHz ~ 108.0 MHz   |
| Usable sensitivity (MONO)                  | VR-707 1.3 μV (75Ω) / 13.2 dBf (75 kHz DEV., SINAD 30 dB)<br>KRF-V6070D 1.6 μV (75Ω) / 15.2 dBf (75 kHz DEV., SINAD 30 dB) |
| 50dB quieting sensitivity                  | STEREO 28 μV (75 Ω) / 40.2 dBf   |
| Total harmonic distortion (1 kHz)          | MONO 0.5% (71.2 dBf input)<br>STEREO 0.7% (71.2 dBf input)   |
| Signal to noise ratio (1 kHz, 75 kHz DEV.) | MONO 75 dB (71.2 dBf input)<br>STEREO 68 dB (71.2 dBf input)   |
| Stereo separation (1 kHz)                  | 40 dB  |
| Selectivity (±400 kHz) VR-707              | 70 dB  |
| KRF-V6070D                                 | 50 dB  |
| Frequency response                         | (30 Hz ~ 15kHz), +0.5 dB, -3.0 dB  |

#### AM tuner section

|  |   |
|--|---|
| Tuning frequency range                           | 10 kHz step (VR-707) 530 kHz ~ 1,700 kHz<br>10 kHz step (KRF-V6070D) 530 kHz ~ 1,610 kHz<br>9 kHz step (KRF-V6070D) 531 kHz ~ 1,602 kHz |
| Usable sensitivity (30% mod., S/N 20dB) (VR-707) | 16 μV / (600 μV/m)  |
| Usable sensitivity (KRF-V6070D)                  | 16 μV / (600 μV/m)  |
| Signal to noise ratio (30% mod. 1 mV input)      | 50 dB   |

#### GENERAL

|                   |  |
|-------------------|--|
| Power consumption | VR-707 2.2 A<br>KRF-V6070D 280W  |
| AC outlet         | SWITCHED   |
| VR-707            | (total 150 W, 1.25 A max.)   |
| KRF-V6070D        | (total 90 W max.)  |
| Dimensions        | W : 440 mm (17-5/16")<br>H : 143 mm (5-5/8")<br>D : 303 mm (11-15/16") |
| Weight (Net)      | VR-707 7.7 kg (17.00 lb)<br>KRF-V6070D 8.8 kg (19.40 lb)               |

#### Notes

1. KENWOOD follows a policy of continuous advancements in development. For this reason specifications may be changed without notice.
2. The full performance may not be exhibited in an extremely cold location (under a water-freezing temperature).

# KRF-V4070D/V5070D/V6070D/VR-705/707/715/716

## SPECIFICATIONS

### For the U.S.A and Canada

#### AUDIO section (VR-705/715/716)

Rated power output during STEREO operation

100 watts per channel minimum RMS, both channels driven, at 8Ω from 40 Hz to 20 kHz with no more than 0.7% total harmonic distortion. (FTC)

Effective power output during SURROUND operation

FRONT (40 ~ 20 kHz, 0.7% T.H.D. at 8 Ω one channel driven) ..... 100 W + 100 W  
CENTER (40 ~ 20 kHz, 0.7% T.H.D. at 8 Ω one channel driven) ..... 100 W  
SURROUND (40 ~ 20 kHz, 0.7% T.H.D. at 8 Ω one channel driven) ..... 100 W + 100 W  
SUBWOOFER (80 Hz, 0.7% T.H.D. at 8 Ω one channel driven) ..... 100 W  
(VR-715/716)

Total harmonic distortion ..... 0.05% (1 kHz, 50 W, 8 Ω)

Frequency response

CD/DVD ..... 20 Hz ~ 70 kHz, +0 dB, -3.0 dB

Signal to noise ratio (IHF'66)

CD/DVD, AUX, TAPE, VIDEO1, VIDEO2 ..... 95 dB

Input sensitivity / impedance

CD/DVD ..... 550 mV / 47 kΩ

DVD/6CH INPUT (VR-715/716) ..... 550 mV / 47 kΩ

Output level / impedance

TAPE REC ..... 550 mV / 1 kΩ

PRE OUT (SUBWOOFER) (VR-705) ..... 1.5 V / 2.2 kΩ

Tone control

BASS ..... ±10 dB (at 100 Hz)

TREBLE ..... ±10 dB (at 10 kHz)

Loudness control

VOLUME at -30dB level ..... +8 dB (at 100 Hz)

### For other countries

#### AUDIO section (KRF-V5070D/V5570D)

Rated power output during STEREO operation

100 watts per channel minimum RMS, both channels driven, at 8Ω from 40 Hz to 20 kHz with no more than 0.7% total harmonic distortion. (FTC)

Effective power output during SURROUND operation

FRONT (1 kHz, 0.7% T.H.D. at 8 Ω one channel driven) ..... 100 W + 100 W  
CENTER (1 kHz, 0.7% T.H.D. at 8 Ω one channel driven) ..... 100 W  
SURROUND (1 kHz, 0.7% T.H.D. at 8 Ω one channel driven) ..... 100 W + 100 W  
SUBWOOFER (80 Hz, 0.7% T.H.D. at 8 Ω one channel driven) ..... 100 W  
(KRF-V5570D)

Total harmonic distortion ..... 0.05% (1 kHz, 50 W, 8 Ω)

Frequency response

CD/DVD ..... 20 Hz ~ 70 kHz, +0 dB, -3.0 dB

Signal to noise ratio (IHF'66)

CD/DVD, AUX, TAPE, VIDEO1, VIDEO2 ..... 95 dB

Input sensitivity / impedance

CD/DVD ..... 550 mV / 47 kΩ

DVD/6CH INPUT (KRF-V5070D) ..... 550 mV / 10 kΩ

Output level / impedance

TAPE REC ..... 550 mV / 1 kΩ

PRE OUT (SUBWOOFER) (KRF-V5070D) ..... 1.5 V / 2.2 kΩ

Tone control

BASS ..... ±10 dB (at 100 Hz)

TREBLE ..... ±10 dB (at 10 kHz)

Loudness control

VOLUME at -30dB level ..... +8 dB (at 100 Hz)

#### AUDIO section (KRF-V4070D)

Effective power output during STEREO operation

1 kHz, 0.7% T.H.D., at 8 Ω ..... 50 W + 50 W

Rated power output during STEREO operation

40 watts per channel minimum RMS, both channels driven, at 8Ω from 40 Hz to 20 kHz with no more than 0.7% total harmonic distortion. (FTC)

Effective power output during SURROUND operation

FRONT (1 kHz, 0.7% T.H.D. at 8 Ω one channel driven) ..... 50 W + 50 W  
CENTER (1 kHz, 0.7% T.H.D. at 8 Ω one channel driven) ..... 50 W  
SURROUND (1 kHz, 0.7% T.H.D. at 8 Ω one channel driven) ..... 50 W + 50 W

Total harmonic distortion ..... 0.15% (1 kHz, 20 W, 8 Ω)

Frequency response

CD/DVD ..... 20 Hz ~ 70 kHz, +0 dB, -3.0 dB

Signal to noise ratio (IHF'66)

CD/DVD, AUX, TAPE, VIDEO1, VIDEO2 ..... 95 dB

Input sensitivity / impedance

CD/DVD ..... 400 mV / 47 kΩ

Output level / impedance

TAPE REC ..... 400 mV / 1 kΩ

PRE OUT (SUBWOOFER) ..... 1.5 V / 2.2 kΩ

Tone control

BASS ..... ±10 dB (at 70 Hz)

TREBLE ..... ±10 dB (at 10 kHz)

Loudness control

VOLUME at -30dB level ..... +8 dB (at 100 Hz)

#### DIGITAL AUDIO section

Sampling frequency ..... 32 kHz, 44.1 kHz, 48 kHz, 96 kHz

Input level / impedance / wave length

Optical ..... (-15 dBm ~ -21 dBm), 660 nm ±30 nm

Coaxial ..... 0.5 Vp-p / 75Ω

#### VIDEO section

VIDEO inputs / outputs

VIDEO (composite) ..... 1 Vp-p / 75Ω

S-VIDEO inputs / outputs (VR-716)

S-VIDEO (luminance signal) ..... 1 Vp-p / 75Ω

S-VIDEO (chrominance signal) ..... 0.286 Vp-p / 75Ω

#### FM tuner section

Tuning frequency range ..... 87.5 MHz ~ 108.0 MHz

Usable sensitivity (MONO)

VR-705/715 ..... 1.3 μV (75 Ω) / 13.2 dBf (75 kHz DEV., SINAD 30 dB)

KRF-V5070D/V4070D/V5570D

..... 1.6 μV (75 Ω) / 15.2 dBf (75 kHz DEV., SINAD 30 dB)

50dB quieting sensitivity

STEREO ..... 28 μV (75 Ω) / 40.2 dBf

Total harmonic distortion (1 kHz)

MONO ..... 0.5% (71.2 dBf input)

STEREO ..... 0.7% (71.2 dBf input)

Signal to noise ratio (1 kHz, 75 kHz DEV.)

MONO ..... 75 dB (71.2 dBf input)

STEREO ..... 68 dB (71.2 dBf input)

Stereo separation (1 kHz)

Selectivity (±400 kHz) VR-705/715/716 ..... 70 dB

KRF-V5070D/V4070D/V5570D ..... 50 dB

Frequency response

(30 Hz ~ 15kHz), +0.5 dB, -3.0 dB

#### AM tuner section

Tuning frequency range

10 kHz step (VR-705/715/716) ..... 530 kHz ~ 1,700 kHz

10 kHz step (KRF-V5070D/V4070D/V5570D) ..... 530 kHz ~ 1,610 kHz

9 kHz step (KRF-V5070D/V4070D/V5570D) ..... 531 kHz ~ 1,602 kHz

Usable sensitivity (30% mod., S/N 20dB) (VR-705/715/716)

..... 16 μV / (600 μV/m)

Usable sensitivity (KRF-V5070D/V5570D/V4070D) ..... 16 μV / (600 μV/m)

Signal to noise ratio (30% mod. 1 mV input) ..... 50 dB

#### GENERAL

Power consumption VR-705/715/716 ..... 2.2 A

KRF-V5070D/V5570D ..... 280W

KRF-V4070D ..... 200W

AC outlet

SWITCHED

VR-705/715 ..... (total 150 W, 1.25 A max.)

KRF-V5070D/V4070D/V5570D ..... (total 90 W max.)

Dimensions ..... W : 440 mm (17-5/16")

H : 143 mm (5-5/8")

D : 303 mm (11-15/16")

Weight (Net)

VR-705/715/716 ..... 8.7 kg (19.18 lb)

KRF-V5070D/V4070D/V5570D ..... 9.3 kg (20.50 lb)

#### Notes

1. KENWOOD follows a policy of continuous advancements in development. For this reason specifications may be changed without notice.
2. The full performance may not be exhibited in an extremely cold location (under a water-freezing temperature).

# KRF-V4070D/V5070D/V6070D/VR-705/707/715/716

## **KENWOOD CORPORATION**

2967-3, Ishikawa-machi, Hachioji-shi, Tokyo, 192-8525 Japan

### **KENWOOD U.S.A. CORPORATION**

P.O BOX 22745, 2201 East Dominguez St., Long Beach, CA 90801-5745, U.S.A.

### **KENWOOD ELECTRONICS CANADA INC.**

6070 Kestrel Road, Mississauga, Ontario, Canada L5T 1S8

### **KENWOOD ELECTRONICS LATIN AMERICA S.A.**

P.O BOX 55-2791, Piso 6 plaza Chase, Cl. 47 y Aquilino de la Guardia Panama, Republic de Panama

### **KENWOOD ELECTRONICS BRASIL LTDA.**

Alameda Ministro Rocha Azevedo No. 456, Edificio Jaú, 10o Andar, Cerqueira César, Cep 0140-001, São Paulo-SP-Brasil

### **KENWOOD ELECTRONICS U.K. LIMITED**

KENWOOD House, Dwight Road, Watford, Herts., WD18 9EB, United Kingdom

### **KENWOOD ELECTRONICS BELGIUM N.V.**

Leuvensesteenweg 248 J, 1800 Vilvoorde, Belgium

### **KENWOOD ELECTRONICS DEUTSCHLAND GMBH**

Rembrücker Str. 15, 63150 Heusenstamm, Germany

### **KENWOOD ELECTRONICS FRANCE S.A.**

13 Boulevard Ney, 75018 Paris, France

### **KENWOOD ELECTRONICS ITALIA S.p.A.**

Via G. Sirtori, 7/9 20129, Milano, Italy

### **KENWOOD IBÉRICA S.A.**

Bolivia, 239-08020 Barcelona, Spain

### **KENWOOD ELECTRONICS AUSTRALIA PTY. LTD.**

(A.C.N. 001 499 074)

16 Giffnock Avenue, North Ryde, N.S.W. 2113, Australia

### **KENWOOD ELECTRONICS (HONG KONG) LTD.**

Unit 3712-3724, Level 37, Tower 1, Metroplaza, 223 Hing Fong Road, Kwai Fong N.T., Hong Kong

### **KENWOOD ELECTRONICS GULF FZE**

P.O.Box 61318, Jebel Ali, Dubai, U.A.E.

### **KENWOOD ELECTRONICS SINGAPORE PTE LTD.**

No. 1 Genting Lane #02-02, KENWOOD Building, Singapore, 349544

### **KENWOOD ELECTRONICS (MALAYSIA) SDN BHD.**

#4.01 Level 4, Wisma Academy Lot 4A, Jalan 19/1 46300 Petaling Jaya Selangor Darul Ehsan Malaysia

### **KENWOOD ELECTRONICS (THAILAND) CO., LTD.**

2019 New Pechburi Road, Bangkapi, Huaykwang, Bangkok, 10320 Thailand