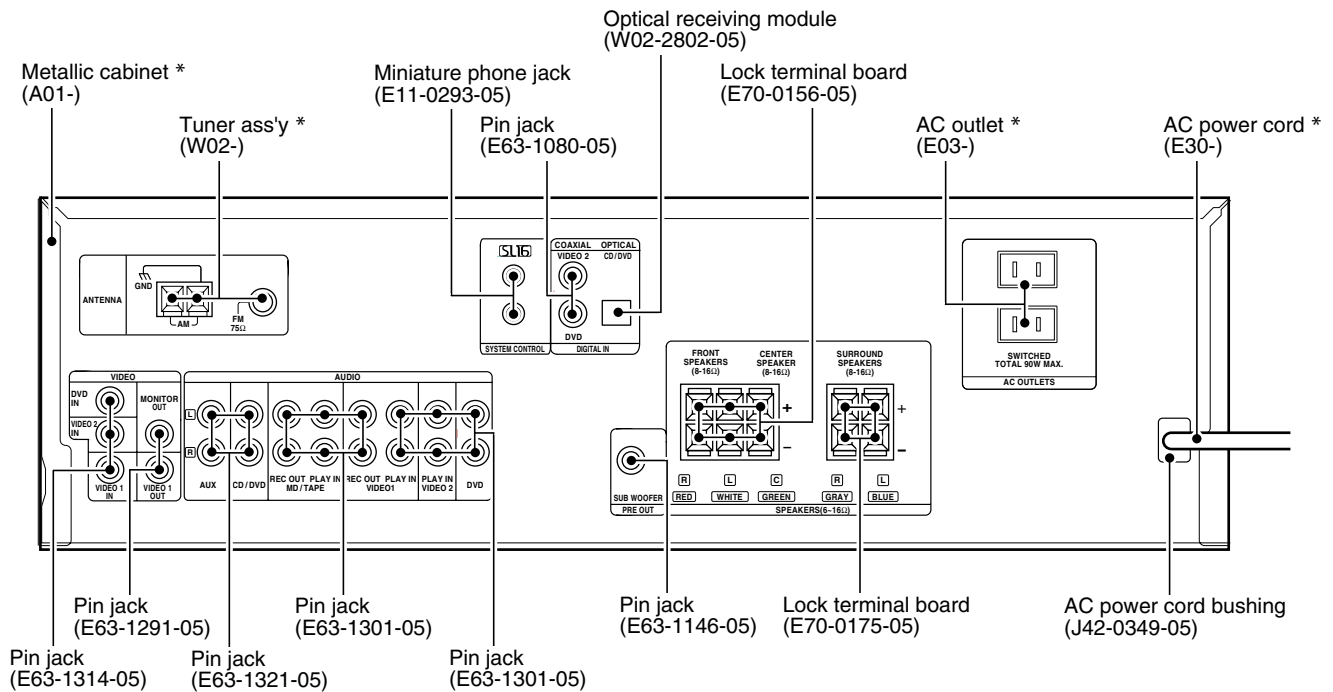
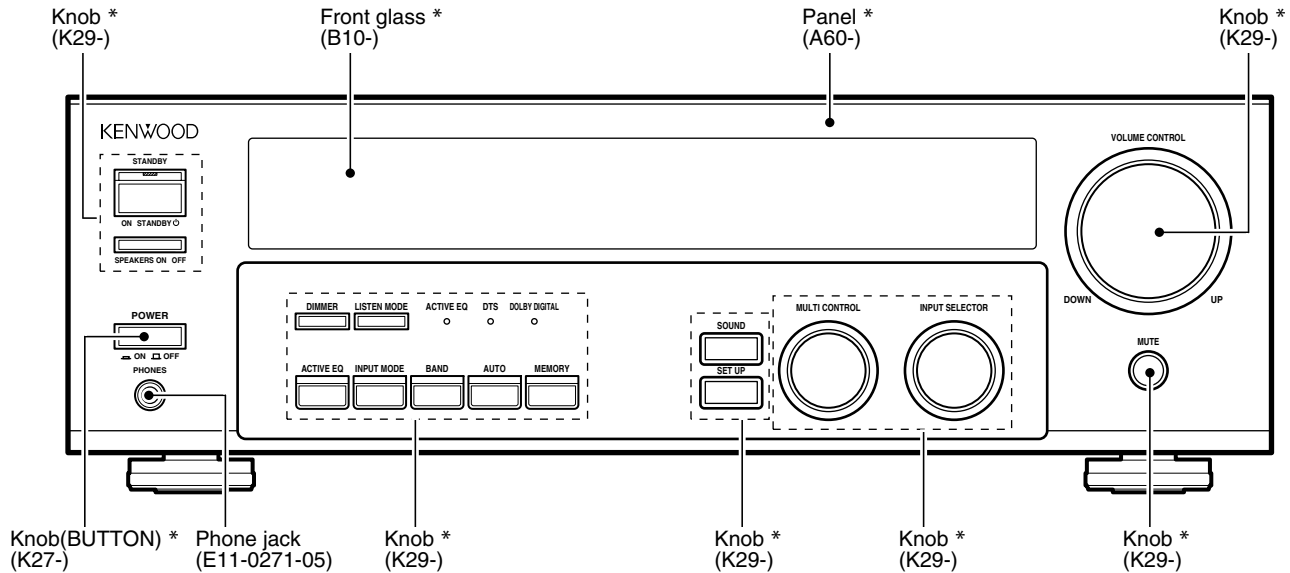


KRF-V4070D/V4070D-S/V5070D/V5070D-S
 KRF-V5570D/V5570D-S/V6070D/V6070D-S
 VR-705/705-S/707/715/715-S/716
SERVICE MANUAL

© 2003-1 PRINTED IN KOREA
 B51-5840-00 (K/K) 3471



Illust. is KRF-V4070D.

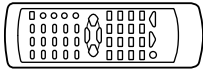
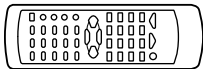
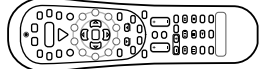
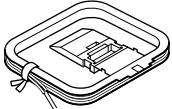
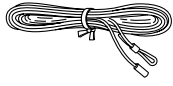
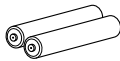
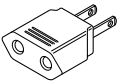
* Refer to parts list on page 29.



KRF-V4070D/V5070D/V6070D/VR-705/707/715/716

ACCESSORIES / CAUTIONS

Accessories

<p>Remote control unit (1) (See the below table)</p> <p>RC-R0626</p>  <p>RC-R0625</p>  <p>RC-R0824</p> 	<p>AM loop antenna (1) (T90-0893-05)</p> 	<p>FM indoor antenna (1) (T90-0877-05)</p> 	<p>Batteries (R6/AA) (2)</p> 
<p>AC Plug Adaptor (1) (E03-0115-05)</p>  <p>Use to adapt the plug on the power cord to the shape of the wall outlet. (Accessory only for regions where use is necessary.)</p>			

REMOTE CONTROL vs MODEL

MODEL	PARTS #	REMOTE CONTROL #	DESTINATION
KRF-V4070D	A70-1614-05	RC-R0628	E1
KRF-V4070D-S			E2
KRF-V4070D-S	A70-1612-05	RC-R0626	X2
KRF-V5070D	A70-1613-05	RC-R0625	E3
KRF-V5070D	A70-1611-05		M3
KRF-V5070D-S	A70-1613-05		E4
KRF-V5070D-S	A70-1611-05		M4X4
KRF-V5570D	A60-1612-05	RC-R0626	X5
KRF-V5570D-S			M6X6
KRF-V5570D-S	A60-1614-05	RC-R0628	E6

MODEL	PARTS #	REMOTE CONTROL #	DESTINATION
KRF-V6070D	A70-1617-05	RC-R0824	M7
KRF-V6070D			X7
KRF-V6070D	A70-1618-05	RC-R0825	E7
KRF-V6070D-S	A70-1617-05	RC-R0824	M8
KRF-V6070D-S	A70-1618-05	RC-R0825	E8
VR-705	A60-1612-05	RC-R0626	K1P1
VR-705-S			K6P6
VR-707	A70-1617-05	RC-R0824	K2P2
VR-715	A70-1611-05	RC-R0625	K3P3
VR-715-S			K5P5
VR-716	A70-1617-05	RC-R0824	K4P4

Cautions

Resetting the Microcomputer

The microcomputer may malfunction (unit cannot be operated, or shows an erroneous display) if the power cord is unplugged while the power is ON, or due to some other external factor. If this happens, execute the following procedure to reset the microcomputer and return the unit to its normal operating condition.

- Please note that resetting the microcomputer will clear the contents of the memory and return the unit to the state it was in when it left the factory

For the U.S.A. and Canada

Unplug the power cord from the wall outlet, then plug it back in while holding down the POWER key.

For other countries

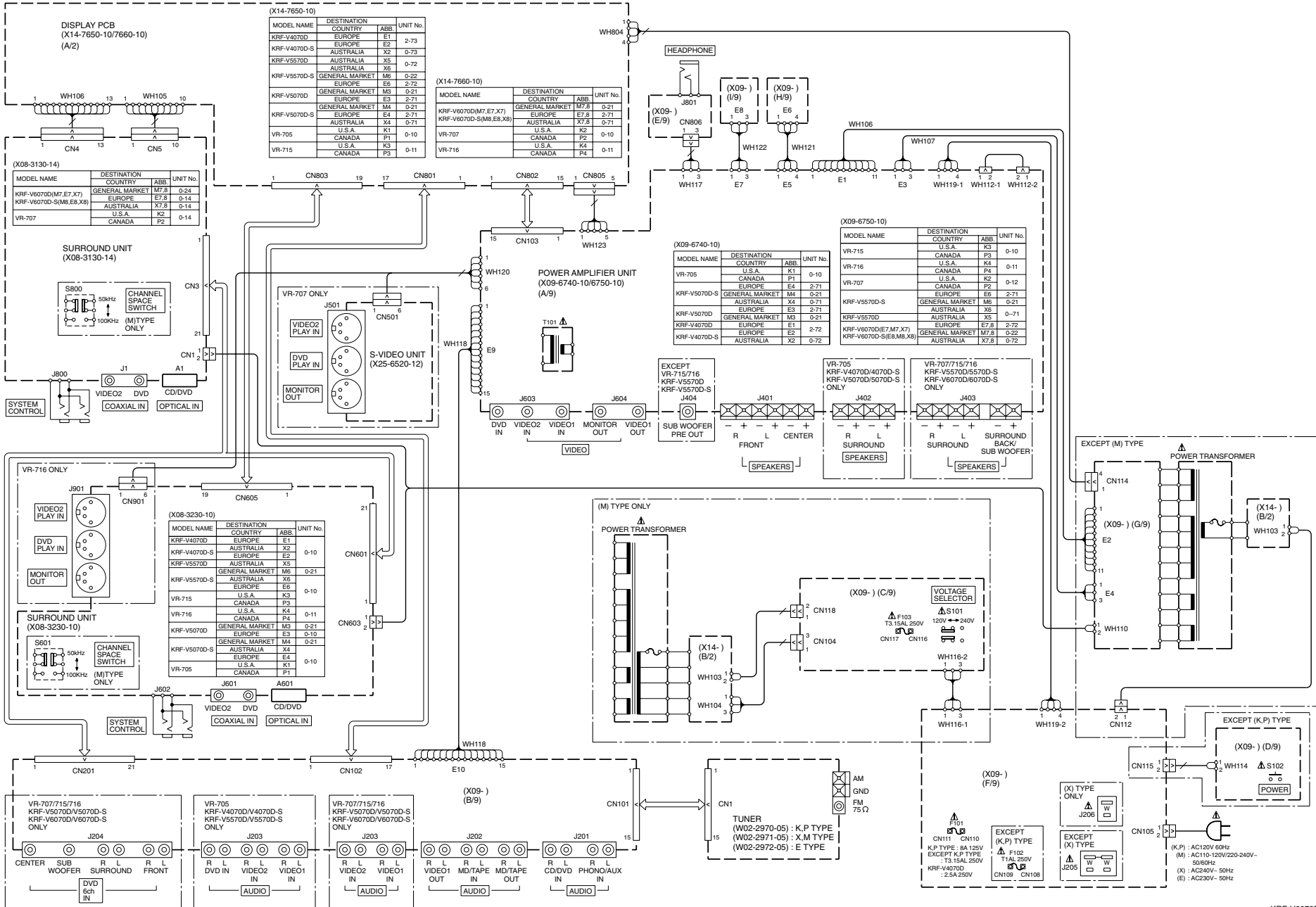
With the power cord plugged in, turn the POWER key OFF. Then, while holding down the ON/STANDBY I/⏻ key, press POWER.

Memory back up function

Please note that the following items will be deleted from the unit's memory if the power cord is disconnected from the AC outlet for approximately 3 days.

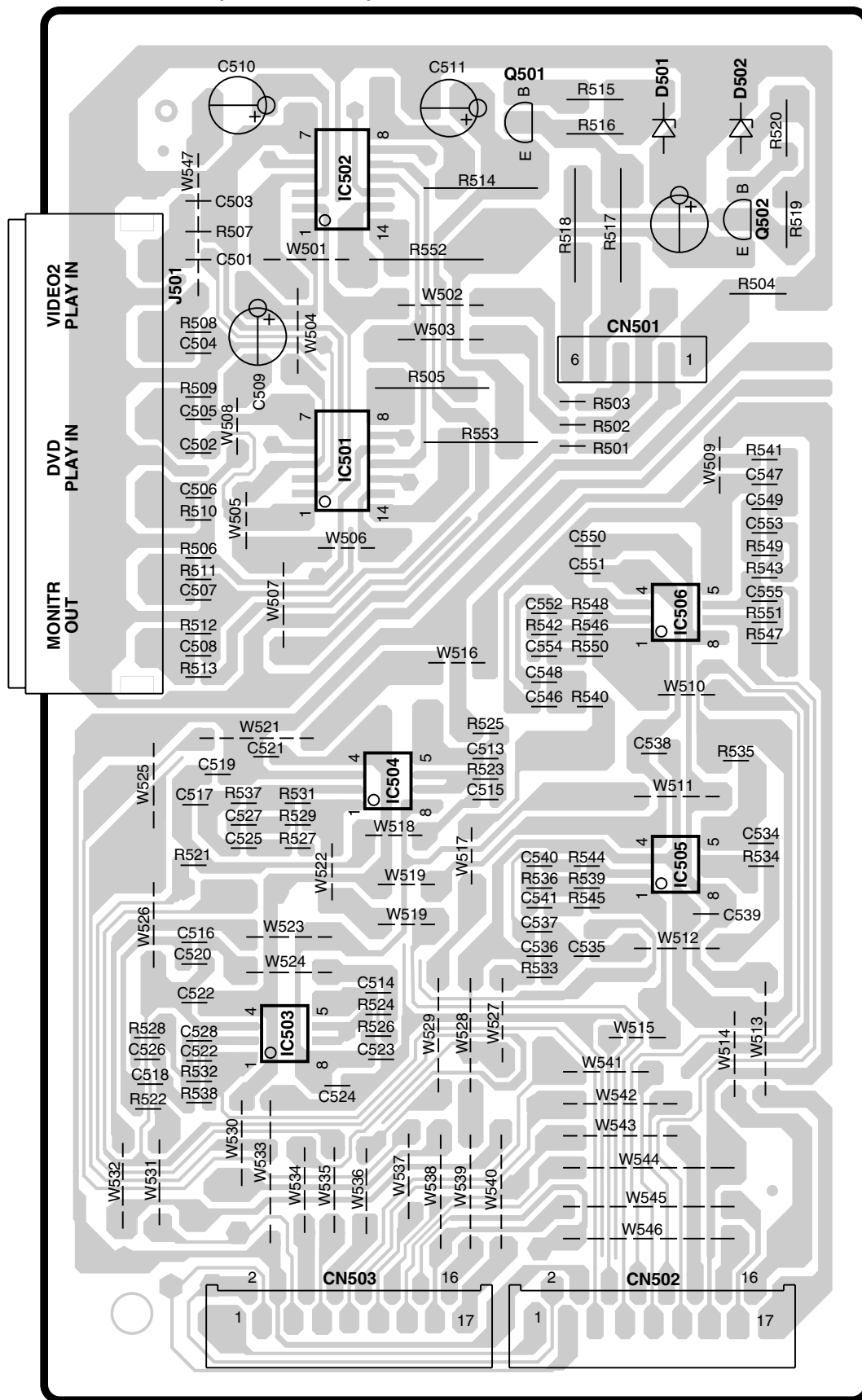
- Power mode.
- Input selector settings.
- Picture output.
- Speaker ON/OFF.
- Volume level.
- BASS, TREBLE, INPUT level.
- Dimmer level.
- MD/TAPE settings.
- Listen mode setting.
- Speaker settings.
- SW RE-MIX ON/OFF.
- Distance setting.
- Input mode setting.
- Midnight mode setting.
- PRO LOGIC II mode setting.
- Broadcast band.
- Frequency setting.
- Preset stations.
- Tuning mode.
- CINEMA EQ ON/OFF.
- LOUDNESS ON/OFF.

INTERCONNECTION DIAGRAM



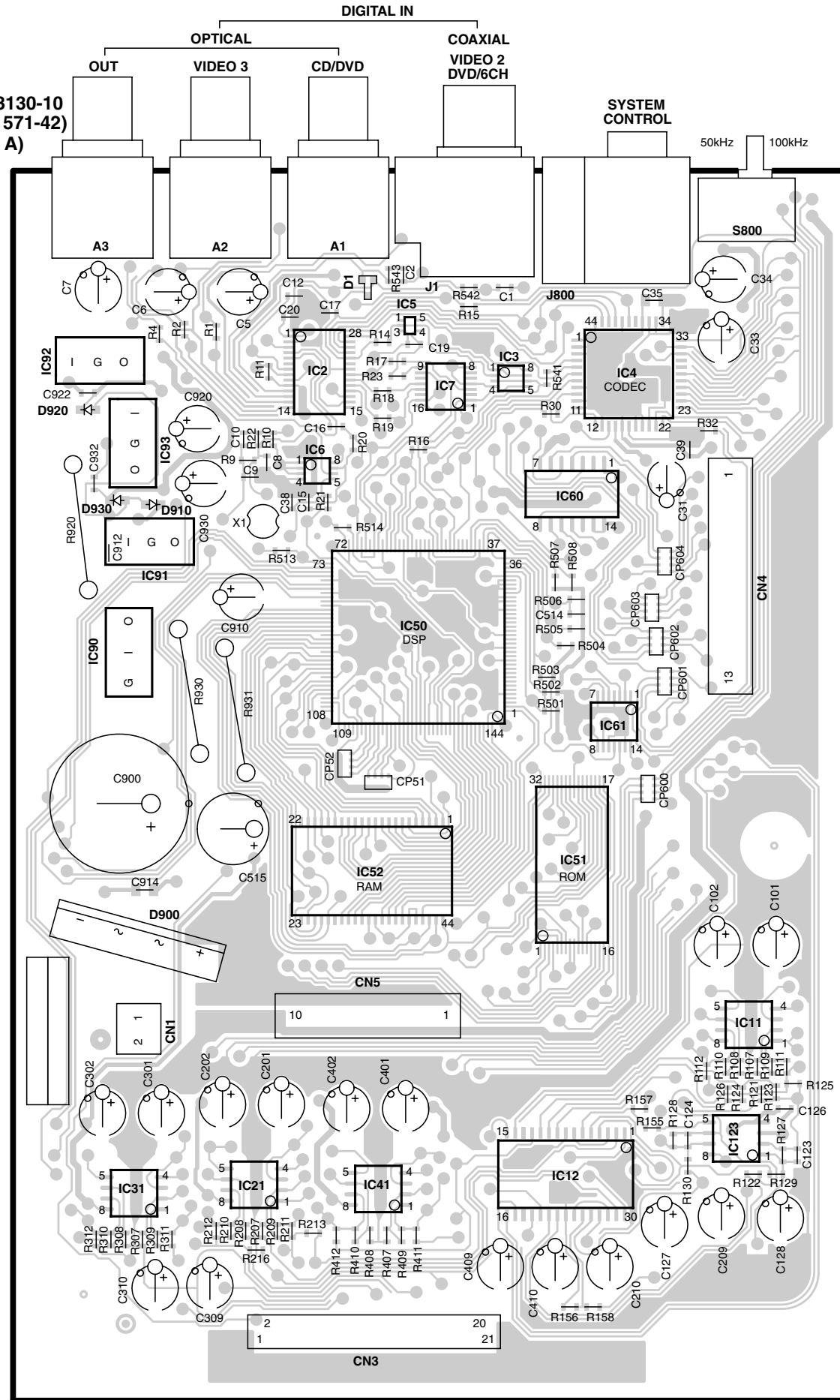
PC BOARD

X25-6520-12(J70-1614-11)



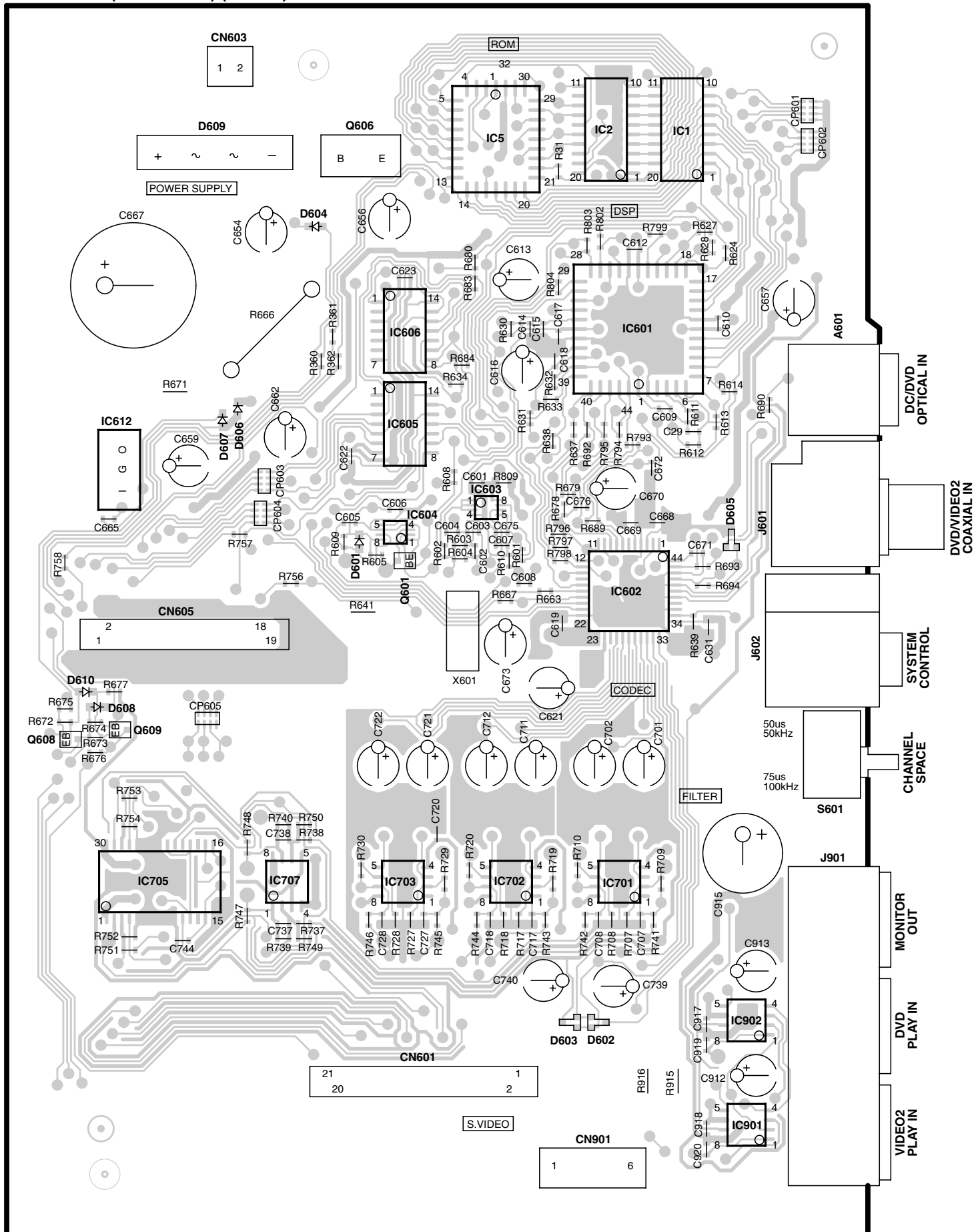
PC BOARD

X08-3130-10
(J70-1571-42)
(SIDE A)

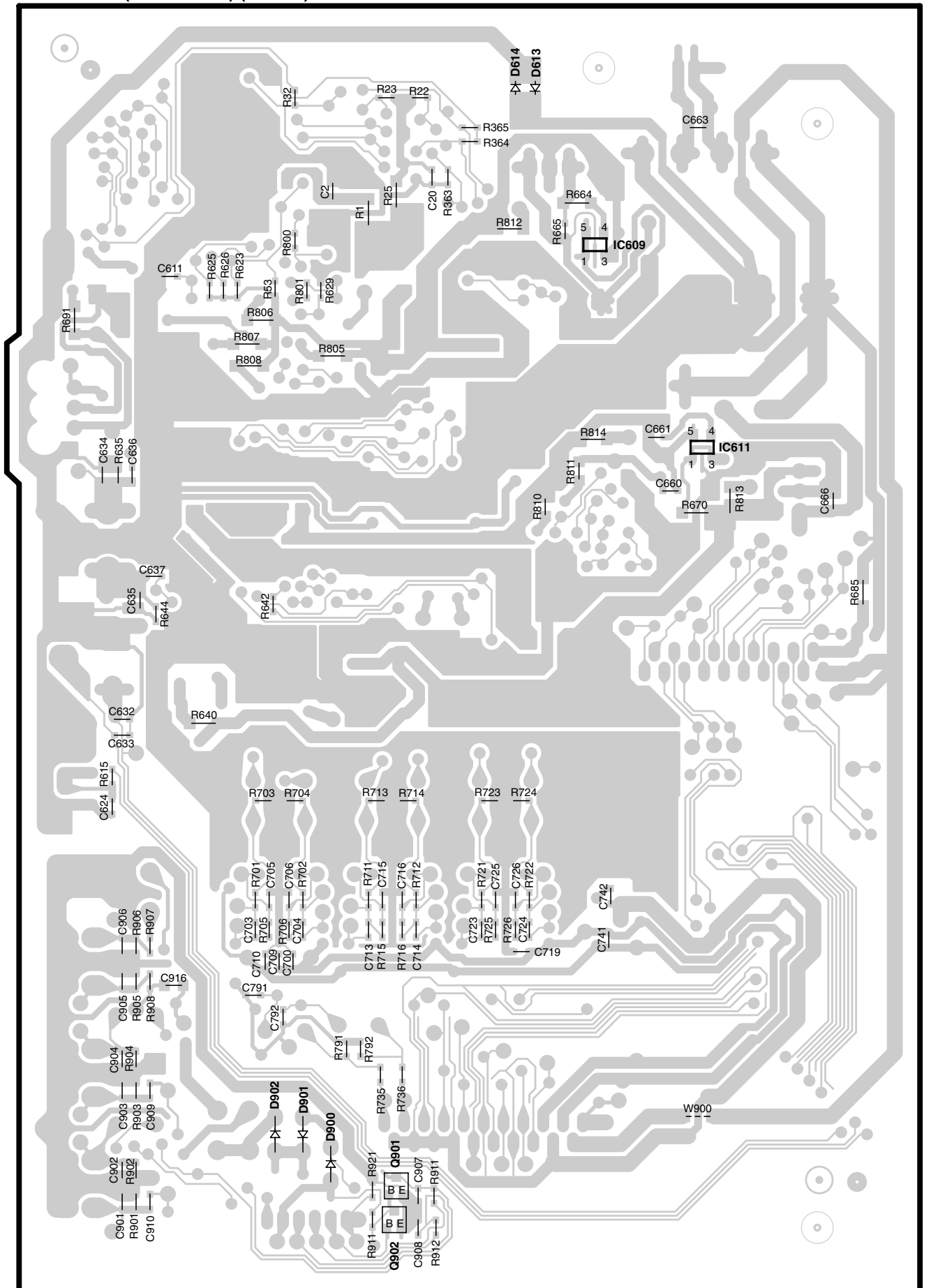


PC BOARD

X08-3230-10 (J70-1659-02) (SIDE A)



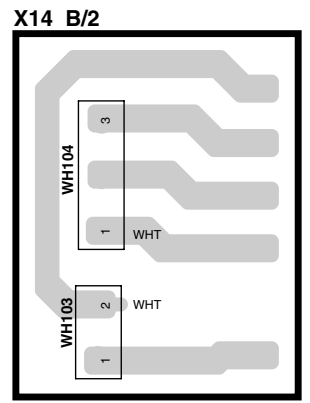
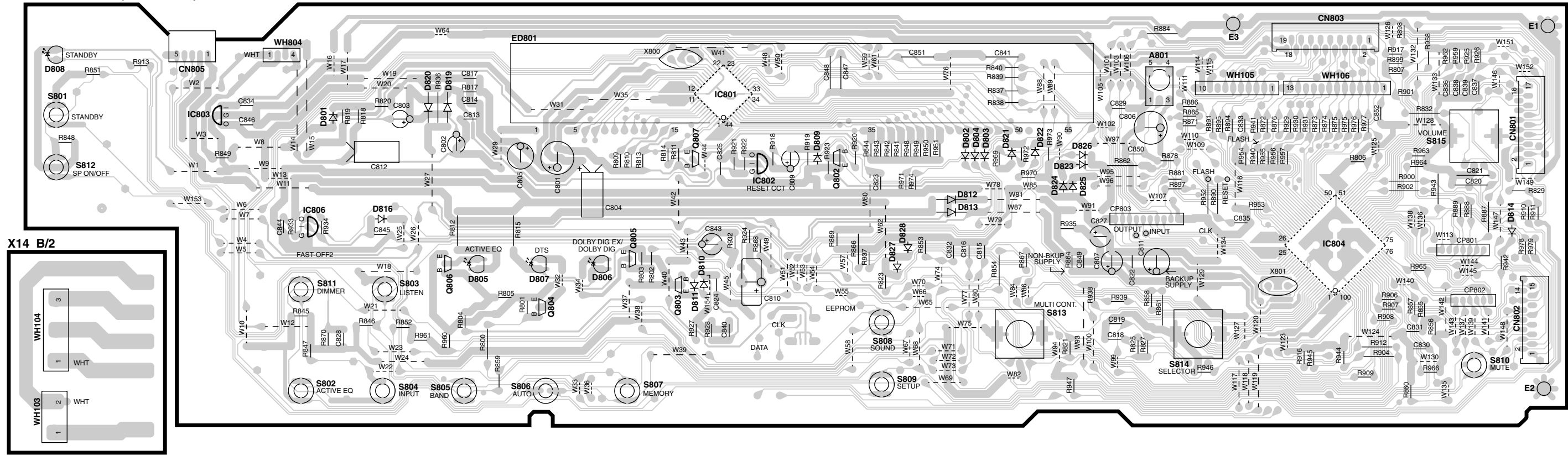
X08-3230-10 (J70-1659-02) (SIDE B)

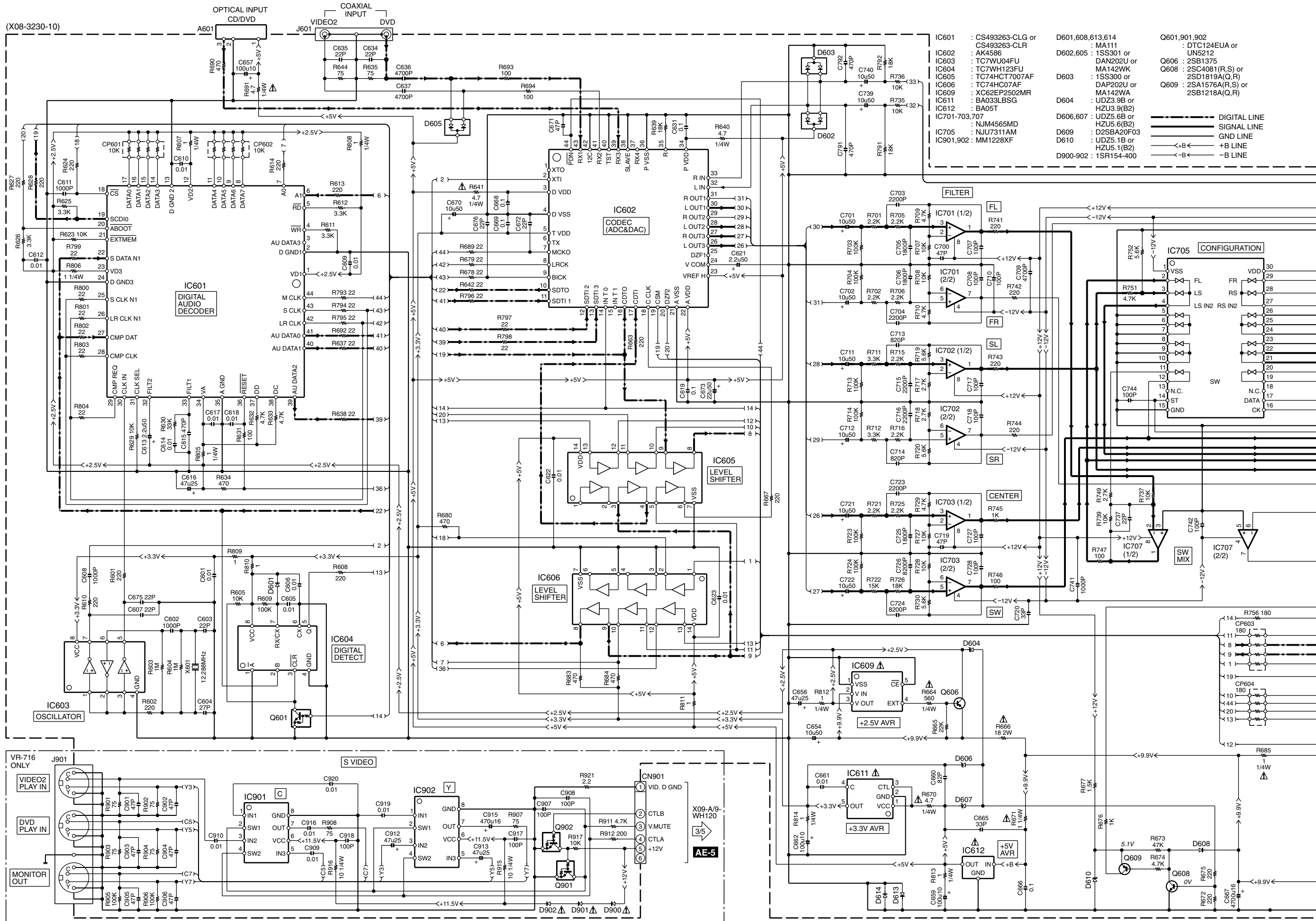


Refer to the schematic diagram for the value of resistors and capacitors.

PC BOARD

X14-7650-10 A/2 (J70-1660-01)
 X14-7660-10 A/2 (J70-1664-01)





- | | | |
|--------------------------------------|---|---------------------------------------|
| IC601 : CS493263-CLG or CS493263-CLR | D601,608,613,614 : MA111 | Q601,901,902 : DTC124EUA or UN5212 |
| IC602 : AK4586 | D602,605 : 1SS301 or DAN202U or MA142WK | Q606 : 2SB1375 |
| IC603 : TC7WU04FU | D603 : 1SS300 or DAP202U or MA142WA | Q608 : 2SC4081(R,S) or 2SD1819A(Q,R) |
| IC604 : TC7WH123FU | D604 : UDZ3.9B or HZU3.9(B2) | Q609 : 2SA1576A(R,S) or 2SB2128A(Q,R) |
| IC605 : TC74HCT7007AF | D606,607 : UDZ5.6B or HZU5.6(B2) | |
| IC606 : TC74HC07AF | D609 : D2SBA20F03 | |
| IC609 : XC62EP2502MR | D610 : UDZ5.1B or HZU5.1(B2) | |
| IC611 : BA033LBSG | D900-902 : 1SR154-400 | |
| IC612 : BA05T | | |
| IC701-703,707 : NJM4565MD | | |
| IC705 : NJU7311AM | | |
| IC901,902 : MM1228XF | | |
- DIGITAL LINE
 ——— SIGNAL LINE
 ——— GND LINE
 <-+B< — +B LINE
 <-B< — -B LINE

(X08-3230-10)

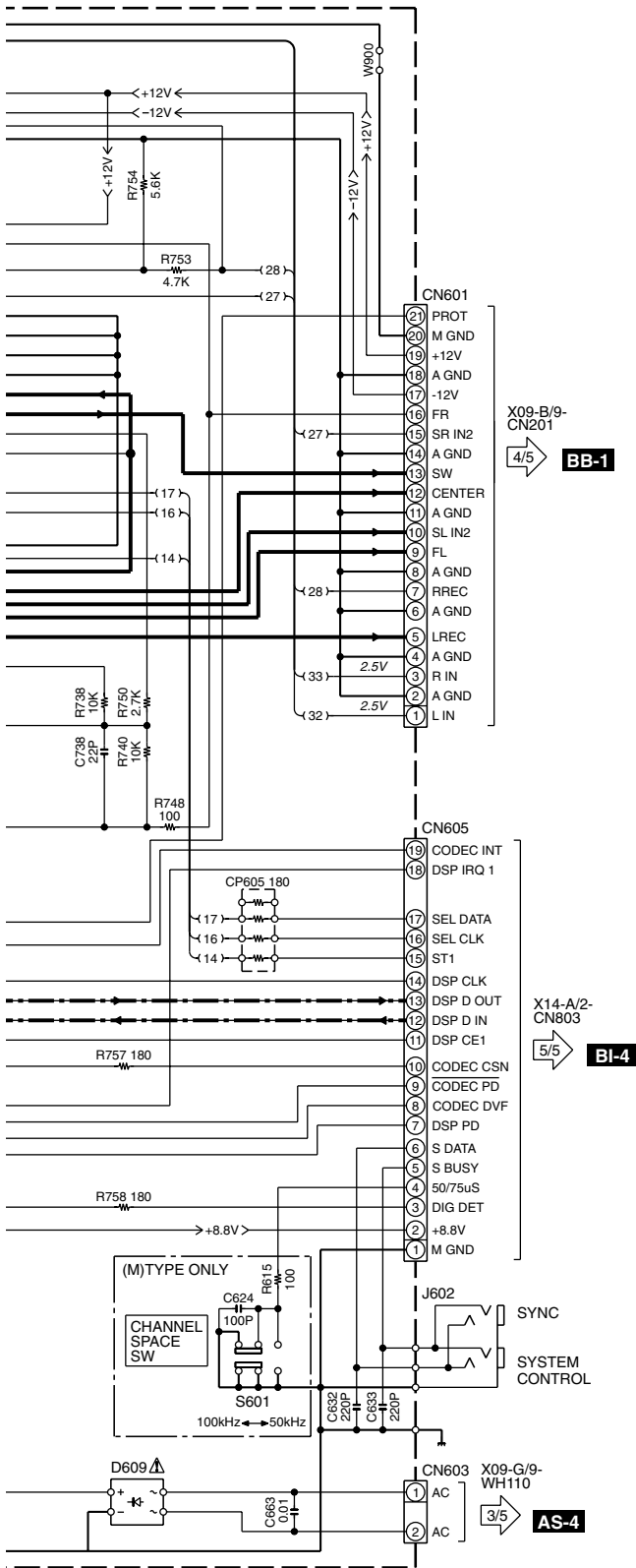
VR-716 ONLY

AE-5

(X08-3230-10)

MODEL NAME	DESTINATION		UNIT No.
	COUNTRY	ABB.	
KRF-V4070D	EUROPE	E1	0-10
KRF-V4070D-S	AUSTRALIA	X2	
	EUROPE	E2	
KRF-V5570D	AUSTRALIA	X5	0-21
KRF-V5570D-S	GENERAL MARKET	M6	
	AUSTRALIA	X6	0-10
	EUROPE	E6	
VR-715	U.S.A.	K3	
	CANADA	P3	0-11
VR-716	U.S.A.	K4	
	CANADA	P4	
KRF-V5070D	GENERAL MARKET	M3	0-21
	EUROPE	E3	0-10
	GENERAL MARKET	M4	0-21
KRF-V5070D-S	AUSTRALIA	X4	0-10
	EUROPE	E4	
	U.S.A.	K1	
VR-705	CANADA	P1	

(X08-3230-10)



KRF-V4070D/V5070D/V5570D (1/5)
VR-705/715/716 (1/5)

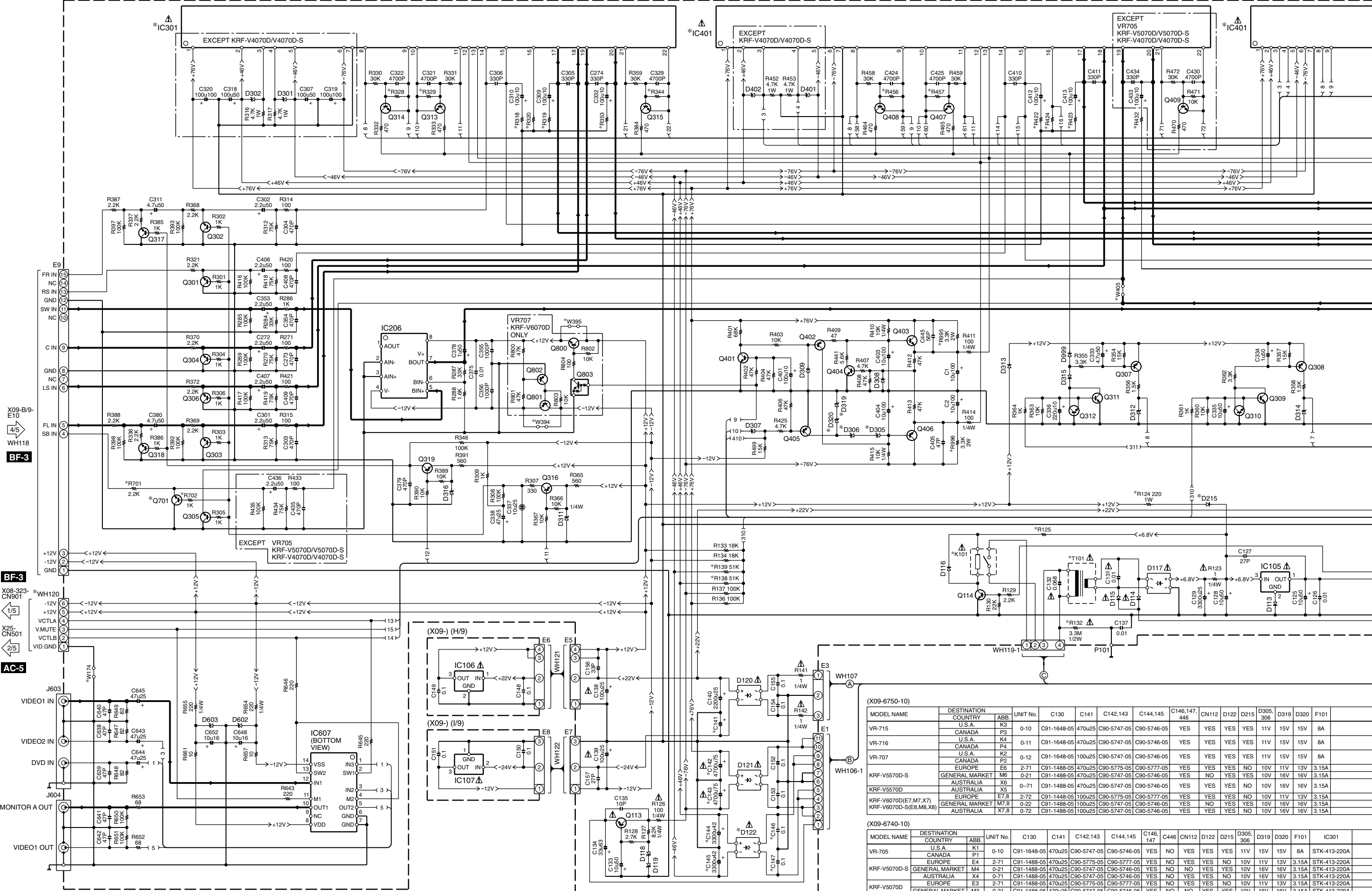
Y05-4640-70

CAUTION: For continued safety, replace safety critical components only with manufacturer's recommended parts (refer to parts list). Δ indicates safety critical components. For continued protection against risk of fire, replace only with same type and rating fuse(s). To reduce the risk of electric shock, leakage-current or resistance measurements shall be carried out (exposed parts are acceptably insulated from the supply circuit) before the appliance is returned to the customer.

The DC voltage is an actual reading measured with a high impedance type voltmeter with no signal input. The measurement value may vary depending on the measuring instruments used or on the product.

KRF-V4070D/V5070D/V6070D/VR-705/707/715/716

KENWOOD



X09-B/9-
E10
4/5
WH118
BF-3

BF-3
X08-323-
CN901
1/5
X25-
CN501
2/5
AC-5

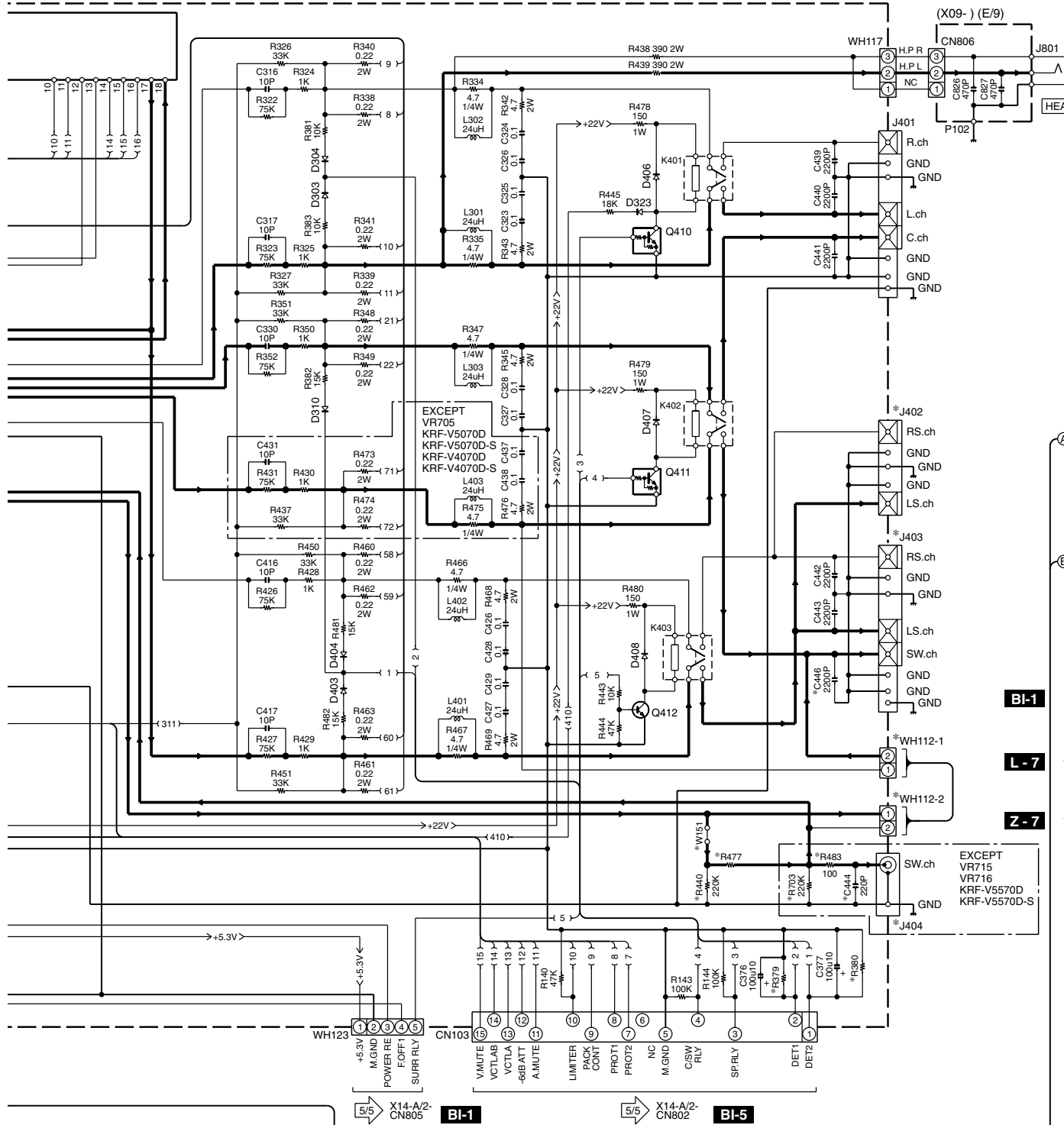
J603
VIDEO1 IN
C638
C640
R647
R649
C643
C644
C645
R646
R647
R648
R649
R650
R651
R652
R653
R654
R655
R656
R657
R658
R659
R660
R661
R662
R663
R664
R665
R666
R667
R668
R669
R670
R671
R672
R673
R674
R675
R676
R677
R678
R679
R680
R681
R682
R683
R684
R685
R686
R687
R688
R689
R690
R691
R692
R693
R694
R695
R696
R697
R698
R699
R700
R701
R702
R703
R704
R705
R706
R707
R708
R709
R710
R711
R712
R713
R714
R715
R716
R717
R718
R719
R720
R721
R722
R723
R724
R725
R726
R727
R728
R729
R730
R731
R732
R733
R734
R735
R736
R737
R738
R739
R740
R741
R742
R743
R744
R745
R746
R747
R748
R749
R750
R751
R752
R753
R754
R755
R756
R757
R758
R759
R760
R761
R762
R763
R764
R765
R766
R767
R768
R769
R770
R771
R772
R773
R774
R775
R776
R777
R778
R779
R780
R781
R782
R783
R784
R785
R786
R787
R788
R789
R790
R791
R792
R793
R794
R795
R796
R797
R798
R799
R800
R801
R802
R803
R804
R805
R806
R807
R808
R809
R810
R811
R812
R813
R814
R815
R816
R817
R818
R819
R820
R821
R822
R823
R824
R825
R826
R827
R828
R829
R830
R831
R832
R833
R834
R835
R836
R837
R838
R839
R840
R841
R842
R843
R844
R845
R846
R847
R848
R849
R850
R851
R852
R853
R854
R855
R856
R857
R858
R859
R860
R861
R862
R863
R864
R865
R866
R867
R868
R869
R870
R871
R872
R873
R874
R875
R876
R877
R878
R879
R880
R881
R882
R883
R884
R885
R886
R887
R888
R889
R890
R891
R892
R893
R894
R895
R896
R897
R898
R899
R900
R901
R902
R903
R904
R905
R906
R907
R908
R909
R910
R911
R912
R913
R914
R915
R916
R917
R918
R919
R920
R921
R922
R923
R924
R925
R926
R927
R928
R929
R930
R931
R932
R933
R934
R935
R936
R937
R938
R939
R940
R941
R942
R943
R944
R945
R946
R947
R948
R949
R950
R951
R952
R953
R954
R955
R956
R957
R958
R959
R960
R961
R962
R963
R964
R965
R966
R967
R968
R969
R970
R971
R972
R973
R974
R975
R976
R977
R978
R979
R980
R981
R982
R983
R984
R985
R986
R987
R988
R989
R990
R991
R992
R993
R994
R995
R996
R997
R998
R999
R1000

J604
VIDEO1 OUT
C642
C643
R644
R645
R646
R647
R648
R649
R650
R651
R652
R653
R654
R655
R656
R657
R658
R659
R660
R661
R662
R663
R664
R665
R666
R667
R668
R669
R670
R671
R672
R673
R674
R675
R676
R677
R678
R679
R680
R681
R682
R683
R684
R685
R686
R687
R688
R689
R690
R691
R692
R693
R694
R695
R696
R697
R698
R699
R700
R701
R702
R703
R704
R705
R706
R707
R708
R709
R710
R711
R712
R713
R714
R715
R716
R717
R718
R719
R720
R721
R722
R723
R724
R725
R726
R727
R728
R729
R730
R731
R732
R733
R734
R735
R736
R737
R738
R739
R740
R741
R742
R743
R744
R745
R746
R747
R748
R749
R750
R751
R752
R753
R754
R755
R756
R757
R758
R759
R760
R761
R762
R763
R764
R765
R766
R767
R768
R769
R770
R771
R772
R773
R774
R775
R776
R777
R778
R779
R780
R781
R782
R783
R784
R785
R786
R787
R788
R789
R790
R791
R792
R793
R794
R795
R796
R797
R798
R799
R800
R801
R802
R803
R804
R805
R806
R807
R808
R809
R810
R811
R812
R813
R814
R815
R816
R817
R818
R819
R820
R821
R822
R823
R824
R825
R826
R827
R828
R829
R830
R831
R832
R833
R834
R835
R836
R837
R838
R839
R840
R841
R842
R843
R844
R845
R846
R847
R848
R849
R850
R851
R852
R853
R854
R855
R856
R857
R858
R859
R860
R861
R862
R863
R864
R865
R866
R867
R868
R869
R870
R871
R872
R873
R874
R875
R876
R877
R878
R879
R880
R881
R882
R883
R884
R885
R886
R887
R888
R889
R890
R891
R892
R893
R894
R895
R896
R897
R898
R899
R900
R901
R902
R903
R904
R905
R906
R907
R908
R909
R910
R911
R912
R913
R914
R915
R916
R917
R918
R919
R920
R921
R922
R923
R924
R925
R926
R927
R928
R929
R930
R931
R932
R933
R934
R935
R936
R937
R938
R939
R940
R941
R942
R943
R944
R945
R946
R947
R948
R949
R950
R951
R952
R953
R954
R955
R956
R957
R958
R959
R960
R961
R962
R963
R964
R965
R966
R967
R968
R969
R970
R971
R972
R973
R974
R975
R976
R977
R978
R979
R980
R981
R982
R983
R984
R985
R986
R987
R988
R989
R990
R991
R992
R993
R994
R995
R996
R997
R998
R999
R1000

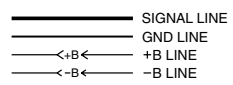
(X09-6750-10)

MODEL NAME	DESTINATION	COUNTRY	ABB.	UNIT No.	C130	C141	C142,143	C144,145	C146,147,148	CN112	D122	D215	D305,306	D319	D320	F101
VR-715	U.S.A.	U.S.A.	K3	0-10	C91-1648-05	470u25	C90-5747-05	C90-5746-05	YES	YES	YES	YES	11V	15V	15V	8A
		CANADA	P3													
VR-716	U.S.A.	U.S.A.	K4	0-11	C91-1648-05	470u25	C90-5747-05	C90-5746-05	YES	YES	YES	YES	11V	15V	15V	8A
		CANADA	P4													
VR-707	U.S.A.	U.S.A.	K2	0-12	C91-1648-05	100u25	C90-5747-05	C90-5746-05	YES	YES	YES	YES	11V	15V	15V	8A
		CANADA	P2													
KRF-V5570D-S	EUROPE	EUROPE	E6	2-71	C91-1488-05	470u25	C90-5775-05	C90-5777-05	YES	YES	YES	NO	10V	11V	13V	3.15A
		GENERAL MARKET	M6	0-21	C91-1488-05	470u25	C90-5747-05	C90-5746-05	YES	NO	YES	YES	10V	16V		

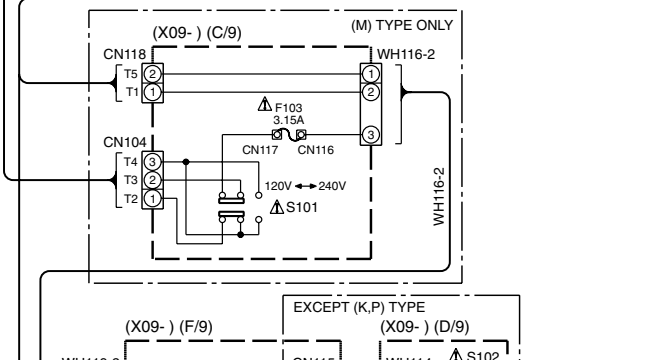
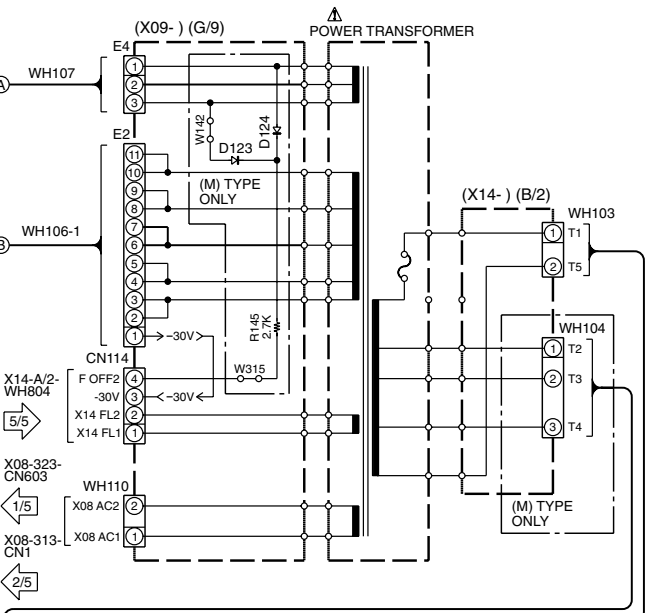
(X09-6740-10/6750-10) (A/9)



- IC105 : BA05T
- IC106 : KIA7812API
- IC107 : KIA7912PI
- IC206 : NJM4565D
- IC301 : *
- IC401 : *
- IC607 : NJM2279D
- D113 : RB441Q-40
- D114,116,123,124,215,303,304,308-310,313,315,323,303,404,406-408 : 1S1333 or 406-408 : HSS104A
- D117 : S1ZB20(4101)
- D118 : MTZJ16(B) or HZS16N(B2)
- D119,301,302,401,402 : MTZJ15(B) or HZS15N(B2)
- D120 : D2SBA20F03
- D121,122 : D5SBA20F03
- D305,306 : *
- D307,311,312,314,316 : MTZJ3.9(B) or HZS3.9N(B2)
- D319 : *
- D320 : *
- D602,603 : MTZJ5.6(B) or HZS5.6N(B2)
- Q113,406 : 2SB1640
- Q114,412 : 2SC1740(Q,R) or 2SC2785(F,E)
- Q301-306,317,318,701 : 2SC2878(B)
- Q307,308,316,319,405,801,802 : 2SA992(F,E)
- Q309-315,401,404,407-409,800 : 2SC1845(F,E)
- Q402 : 2SA1535A
- Q403 : 2SC3944A
- Q410,411,803 : UN4219 or DTC113ZSA



BI-1
L-7
Z-7



IC301, 401	J205	J206	J402	J403	K101	Q409	Q701	R125 (1/4W)	R132	R138,139, 440,995,996	R318,319,353, 422,423	R320, 424	R328,329,344, 456,457	R379, 380	R432	R477	R701, 702	T101	W151	W174	W321, 397	W394,395, 405	WH112	WH120	
STK-413-220A	E03-0396-05	NO	NO	YES	S76-0099-05	YES	NO	YES	27	YES	YES	680	33K	10K	1.2K	2.4K	2.2K	NO	L07-2758-05	YES	NO	YES	YES	NO	NO
STK-413-220A	E03-0396-05	NO	NO	YES	S76-0099-05	YES	NO	YES	27	YES	YES	680	33K	10K	1.2K	2.4K	2.2K	NO	L07-2758-05	YES	YES	YES	YES	NO	YES
STK-413-220A	E03-0396-05	NO	NO	YES	S76-0099-05	YES	YES	YES	27	YES	YES	680	33K	10K	1.2K	680	1K	YES	L07-2758-05	YES	YES	YES	NO	NO	YES
STK-413-220A	E03-0398-05	NO	NO	YES	S76-0102-05	YES	NO	NO	1	NO	YES	820	33K	10K	1.5K	3K	2.2K	NO	L07-2758-05	YES	NO	NO	YES	NO	NO
STK-413-220A	E03-0398-05	NO	NO	YES	S76-0102-05	YES	NO	YES	27	NO	YES	680	33K	10K	1.2K	2.4K	2.2K	NO	L07-2805-05	YES	NO	NO	YES	NO	NO
STK-413-220A	NO	YES	NO	YES	S76-0102-05	YES	NO	NO	1	NO	YES	680	33K	10K	1.2K	2.4K	2.2K	NO	L07-2758-05	YES	NO	NO	YES	NO	NO
STK-413-220A	E03-0398-05	NO	NO	YES	S76-0102-05	YES	NO	NO	1	NO	YES	820	33K	10K	1.5K	820	1K	YES	L07-2758-05	YES	YES	NO	NO	NO	YES
STK-413-220A	E03-0398-05	NO	NO	YES	S76-0102-05	YES	YES	YES	27	NO	YES	680	33K	10K	1.2K	680	1K	YES	L07-2805-05	YES	YES	NO	NO	NO	YES
STK-413-220A	NO	YES	NO	YES	S76-0102-05	YES	YES	NO	1	NO	YES	680	33K	10K	1.2K	680	1K	YES	L07-2758-05	YES	YES	NO	NO	NO	YES

IC401	J205	J206	J402, 404	J403	K101	Q409	Q701	R124	R125 (1/4W)	R132	R138,139, 995,996	R318,319,353, 422,423	R320, 424	R328,329,344, 456,457	R379, 380	R440,477, 701,702	T101	W151,174, 405	W321, 397	W394, 395	WH112	WH120	
STK-412-220A	E03-0396-05	NO	YES	NO	S76-0099-05	NO	NO	YES	27	YES	YES	680	33K	10K	1.2K	NO	L07-2758-05	NO	YES	YES	YES	NO	NO
STK-412-220A	E03-0398-05	NO	YES	NO	S76-0102-05	NO	NO	1	NO	YES	820	33K	10K	1.5K	NO	L07-2758-05	NO	NO	YES	YES	NO	NO	NO
STK-412-220A	E03-0398-05	NO	YES	NO	S76-0102-05	NO	NO	YES	27	NO	YES	680	33K	10K	1.2K	NO	L07-2805-05	NO	NO	YES	YES	NO	NO
STK-412-220A	NO	YES	YES	NO	S76-0102-05	NO	NO	1	NO	YES	820	33K	10K	1.2K	NO	L07-2758-05	NO	NO	YES	YES	NO	NO	NO
STK-412-220A	E03-0398-05	NO	YES	NO	S76-0102-05	NO	NO	1	NO	YES	820	33K	10K	1.5K	NO	L07-2758-05	NO	NO	YES	YES	NO	NO	NO
STK-412-220A	E03-0398-05	NO	YES	NO	S76-0102-05	NO	YES	27	NO	YES	680	33K	10K	1.2K	NO	L07-2805-05	NO	NO	YES	YES	NO	NO	NO
STK-442-070	E03-0398-05	NO	YES	NO	S76-0102-05	NO	NO	1	NO	NO	820	10K	22K	1.5K	NO	L07-2758-05	NO	NO	YES	YES	NO	NO	NO
STK-442-070	NO	YES	YES	NO	S76-0102-05	NO	NO	1	NO	NO	680	10K	22K	1.2K	NO	L07-2758-05	NO	NO	YES	YES	NO	NO	NO

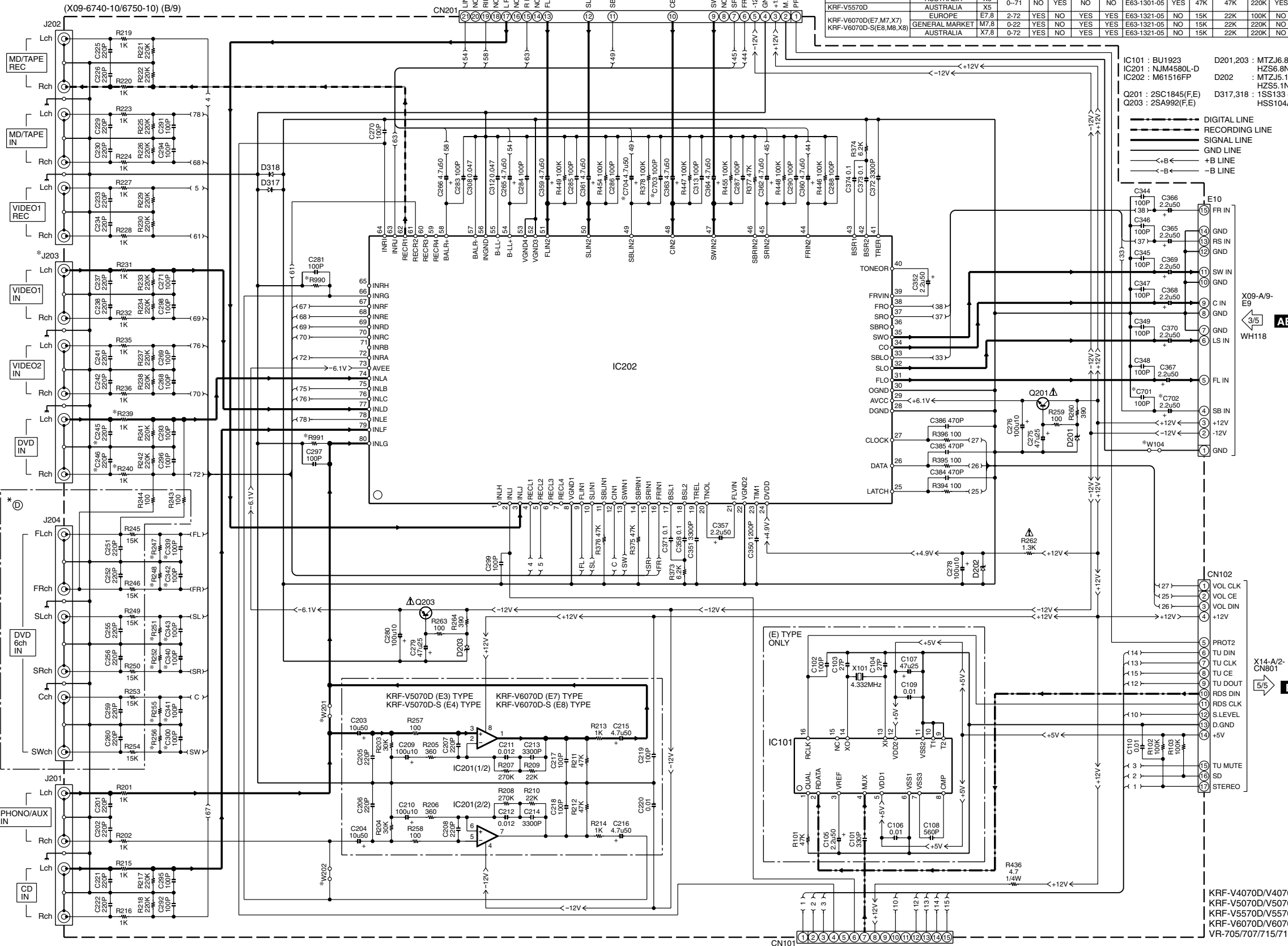
CAUTION: For continued safety, replace safety critical components only with manufacturer's recommended parts (refer to parts list). Δ indicates safety critical components. For continued protection against risk of fire, replace only with same type and rating fuse(s). To reduce the risk of electric shock, leakage-current or resistance measurements shall be carried out (exposed parts are acceptably insulated from the supply circuit) before the appliance is returned to the customer.

The DC voltage is an actual reading measured with a high impedance type voltmeter with no signal input. The measurement value may vary depending on the measuring instruments used or on the product.

KRF-V4070D/V5070D/V6070D/VR-705/707/715/716

(X09-6740-10)													
MODEL NAME	DESTINATION COUNTRY	ABB.	UNIT No.	Ⓧ	C245, 246	C300, 339-343	C701-704	J203	R239, 240	R247, 248	R251,252, 255,256	R990, 991	W104
VR-705	U.S.A.	K1	0-10	NO	YES	NO	NO	E63-1301-05	YES	47K	47K	220K	YES
	CANADA	P1											
KRF-V5070D-S	EUROPE	E4	2-71	YES	NO	YES	NO	E63-1321-05	NO	15K	22K	100K	YES
	GENERAL MARKET	M4											
	AUSTRALIA	X4											
KRF-V5070D	EUROPE	E3	2-71	YES	NO	YES	NO	E63-1321-05	NO	15K	22K	100K	YES
	GENERAL MARKET	M3											
	AUSTRALIA	X3											
KRF-V4070D	EUROPE	E1	2-72	NO	YES	NO	NO	E63-1301-05	YES	47K	47K	220K	YES
KRF-V4070D-S	AUSTRALIA	X2	0-72	NO	YES	NO	NO	E63-1301-05	YES	47K	47K	220K	YES

(X09-6750-10)													
MODEL NAME	DESTINATION COUNTRY	ABB.	UNIT No.	Ⓧ	C245, 246	C300, 339-343	C701-704	J203	R239, 240	R247, 248	R251,252, 255,256	R990, 991	W104
VR-715	U.S.A.	K3	0-10	YES	NO	YES	NO	E63-1321-05	NO	15K	22K	220K	YES
	CANADA	P3											
VR-716	U.S.A.	K4	0-11	YES	NO	YES	NO	E63-1321-05	NO	15K	22K	220K	YES
	CANADA	P4											
VR-707	U.S.A.	K2	0-12	YES	NO	YES	YES	E63-1321-05	NO	15K	22K	220K	NO
	EUROPE	E6											
	GENERAL MARKET	M6											
KRF-V5570D-S	EUROPE	E6	2-71	NO	YES	NO	NO	E63-1301-05	YES	47K	47K	220K	YES
	GENERAL MARKET	M6											
	AUSTRALIA	X6											
KRF-V5570D	EUROPE	E7.8	2-72	YES	NO	YES	YES	E63-1321-05	NO	15K	22K	100K	NO
	AUSTRALIA	X5											
	GENERAL MARKET	M7.8											
KRF-V6070D(E7,M7,X7)	EUROPE	E7.8	0-22	YES	NO	YES	YES	E63-1321-05	NO	15K	22K	220K	NO
	EUROPE	E7.8											
	GENERAL MARKET	M7.8											
KRF-V6070D-S(E8,M8,X8)	EUROPE	E7.8	0-22	YES	NO	YES	YES	E63-1321-05	NO	15K	22K	220K	NO
	AUSTRALIA	X7.8											



IC101 : BU1923
 IC201 : NJM4580L-D
 IC202 : M61516FP

D201,203 : MTZJ6.8(B) or HZS6.8N(B2)
 D202 : MTZJ5.1(B) or HZS5.1N(B2)
 D317,318 : 1SS133 or HSS104A

Q201 : 2SC1845(FE)
 Q203 : 2SA992(FE)

--- DIGITAL LINE
 --- RECORDING LINE
 --- SIGNAL LINE
 --- GND LINE
 --- +B LINE
 --- -B LINE

CAUTION: For continued safety, replace safety critical components only with manufacturer's recommended parts (refer to parts list). Δ indicates safety critical components. For continued protection against risk of fire, replace only with same type and rating fuse(s). To reduce the risk of electric shock, leakage-current or resistance measurements shall be carried out (exposed parts are acceptably insulated from the supply circuit) before the appliance is returned to the customer.

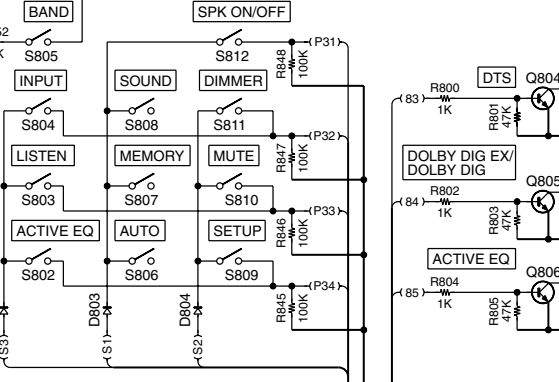
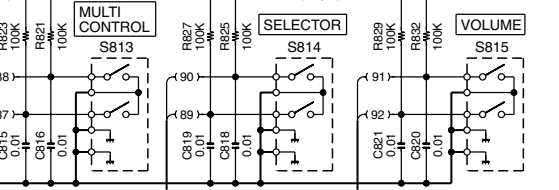
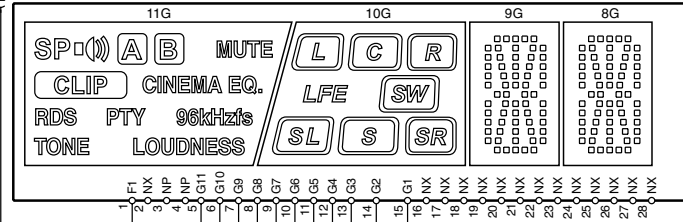
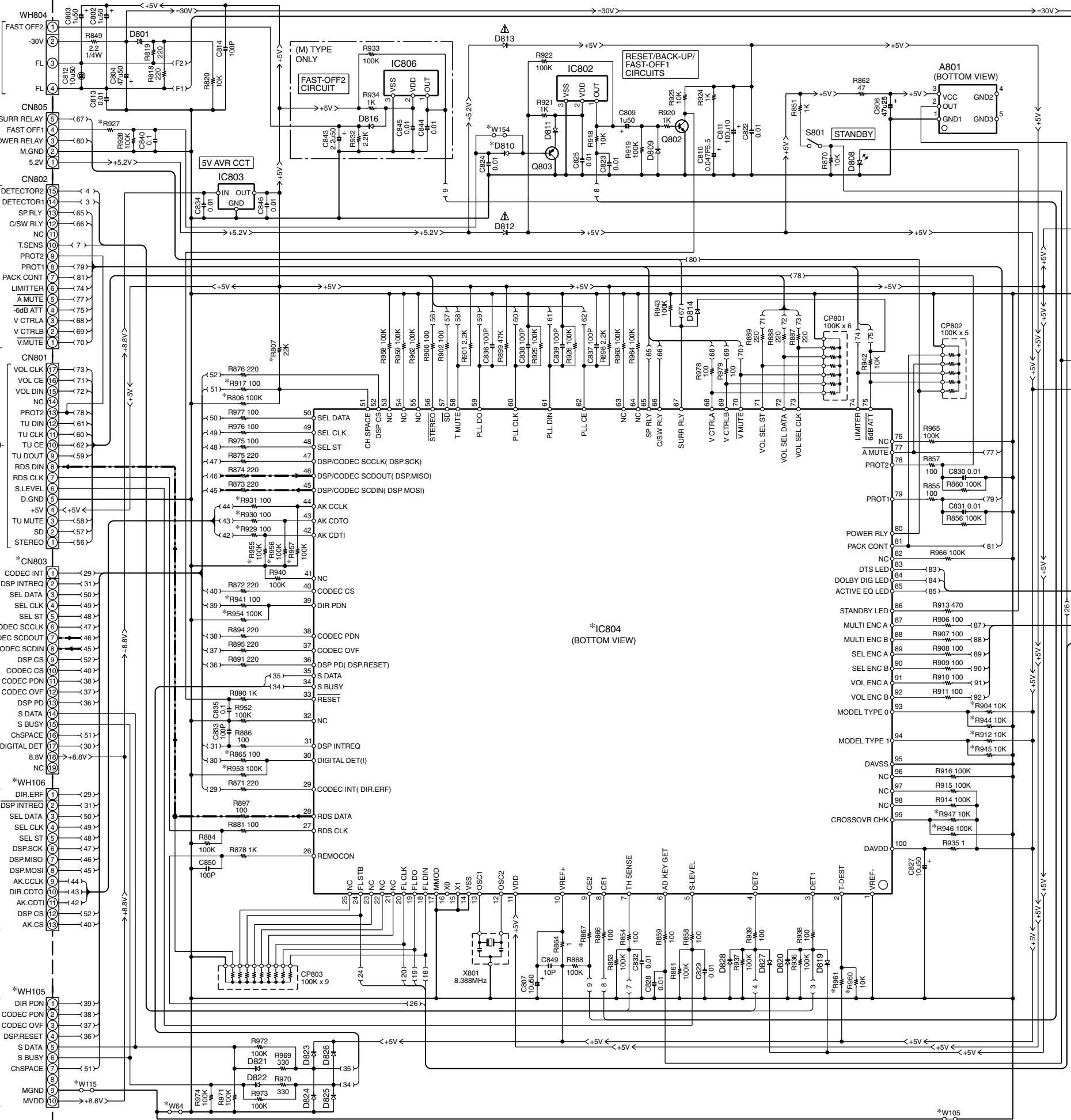
The DC voltage is an actual reading measured with a high impedance type voltmeter with no signal input. The measurement value may vary depending on the measuring instruments used or on the product.

- KRF-V4070D/V4070D-S (4/5)
- KRF-V5070D/V5070D-S (4/5)
- KRF-V5570D/V5570D-S (4/5)
- KRF-V6070D/V6070D-S (4/5)
- VR-705/707/715/716 (4/5)

KRF-V4070D/V5070D/V6070D/VR-705/707/715/716

Y05-4640-70

KENWOOD



(X14-7650-10)

MODEL NAME	DESTINATION COUNTRY	ABB.	UNIT No.	(A)	CN803	D810	IC804	R806	R807, 917	R865, 954-957	R867
KRF-V4070D	EUROPE	E1	2-73	NO	YES	NO	MN101C49KLE	YES	NO	YES	100
KRF-V4070D-S	AUSTRALIA	X2	0-73	NO	YES	NO	MN101C49KLE	YES	NO	YES	100
KRF-V5570D	AUSTRALIA	X5	0-72	NO	YES	NO	MN101C49KLE	YES	NO	YES	100
KRF-V5570D-S	GENERAL MARKET	M6	0-22	YES	YES	YES	MN101C49KLE	NO	YES	YES	100K
KRF-V5070D	EUROPE	E6	2-72	NO	YES	NO	MN101C49KLE	YES	NO	YES	100
KRF-V5070D-S	EUROPE	E3	2-71	NO	YES	NO	MN101C49KLE	YES	NO	YES	100
KRF-V5070D-S	GENERAL MARKET	M4	0-21	YES	YES	YES	MN101C49KLE	NO	YES	YES	100K
VR-705	U.S.A.	K1	0-10	NO	YES	YES	MN101C49KLE	YES	NO	YES	100
VR-715	U.S.A.	K3	0-11	NO	YES	YES	MN101C49KLE	YES	NO	YES	100

(X14-7660-10)

MODEL NAME	DESTINATION COUNTRY	ABB.	UNIT No.	(A)	CN803	D810	IC804	R806	R807, 917
KRF-V6070D(M7,E7,X7)	GENERAL MARKET	M7,8	0-21	YES	NO	YES	MN101C49GGR	NO	YES
KRF-V6070D-S(M8,E8,X8)	EUROPE	E7,8	2-71	NO	NO	NO	MN101C49GGR	YES	NO
VR-707	U.S.A.	K2	0-10	NO	NO	NO	MN101C49GGR	YES	NO
VR-716	U.S.A.	K4	0-11	NO	YES	YES	MN101C49KLE	YES	NO

- IC801 : MN12510F
- IC802, 806 : S-80840CNY
- IC803 : XC6202P502TH
- IC804 : *
- Q802, 804-807 : 2SC1740S(Q,R) or 2SC2785(F,E) or 2SA933AS(Q,R) or 2SA1175(F,E)
- D801 : MTZJ6.2(B) or RD6.2ES(B)
- D802-804, 809-811, 814, 816, 819-828 : 1SS133 or HSS104A
- D805-808 : B30-2545-05
- D812, 813 : RB441Q-40

- KRF-V4070D/V4070D-S (5/5)
- KRF-V5070D/V5070D-S (5/5)
- KRF-V5570D/V5570D-S (5/5)
- KRF-V6070D/V6070D-S (5/5)
- VR-705/707/715/716 (5/5)

AS-4

AP-5

AC-5

BF-5

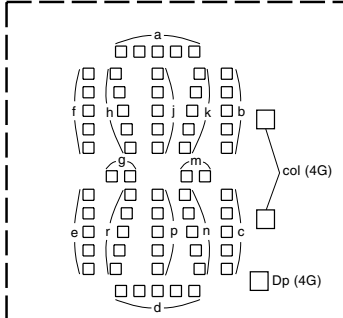
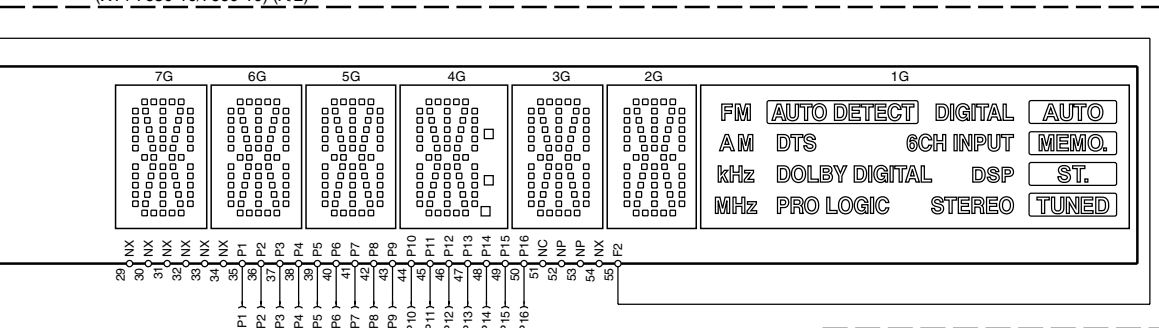
L-5

P-5

P-4

1
2
3
4
5
6
7

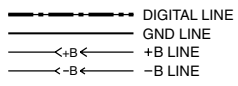
(X14-7650-10/7660-10) (A/2)



	11G	10G	9G	8G	7G	6G	5G	4G	3G	2G	1G
P1	SP1	L	a	a	a	a	a	a	a	a	FM
P2	A	C	j	j	j	j	j	j	j	j	AM
P3	B	R	h	h	h	h	h	h	h	h	MHz
P4	MUTE	SL	k	k	k	k	k	k	k	k	kHz
P5	CLIP	S	b	b	b	b	b	b	b	b	AUTO
P6	CINEMA EQ.	SR	f	f	f	f	f	f	f	f	MEMO.
P7	-	LFE	g	g	g	g	g	g	g	g	ST.
P8	-	SW	m	m	m	m	m	m	m	m	TUNED
P9	RDS	(L)	c	c	c	c	c	c	c	c	AUTO DETECT
P10	PTY	(C)	e	e	e	e	e	e	e	e	DTS
P11	96kHz	(R)	r	r	r	r	r	r	r	r	DOLBY DIGITAL
P12	TOPE	(SL)	n	n	n	n	n	n	n	n	PRO LOGIC
P13	LOUDNESS	(S)	p	p	p	p	p	p	p	p	DIGITAL
P14	-	(SR)	d	d	d	d	d	d	d	d	GCH INPUT
P15	-	(SW)	-	-	-	-	-	-	-	-	DSP
P16	-	-	-	-	-	-	-	-	-	-	STEREO

R904	R912	R927	R929-931, 941, 953	R944	R945	R946	R947	R960	R961	W64	W105, 115	W154	WH105, 106
YES	NO	150K	NO	NO	YES	YES	NO	NO	10K	YES	NO	YES	NO
YES	NO	160K	NO	NO	YES	YES	NO	YES	30K	YES	NO	YES	NO
NO	NO	160K	NO	YES	YES	YES	NO	YES	30K	YES	NO	YES	NO
NO	NO	62K	NO	YES	YES	YES	NO	YES	10K	YES	NO	NO	NO
NO	NO	150K	NO	YES	YES	YES	NO	NO	10K	YES	NO	YES	NO
YES	YES	62K	NO	NO	NO	YES	NO	YES	10K	YES	NO	NO	NO
YES	YES	150K	NO	NO	NO	YES	NO	NO	10K	YES	NO	YES	NO
YES	YES	62K	NO	NO	NO	YES	NO	YES	10K	YES	NO	NO	NO
YES	YES	150K	NO	NO	NO	YES	NO	NO	10K	YES	NO	YES	NO
YES	YES	160K	NO	NO	NO	YES	NO	YES	30K	YES	NO	YES	NO
YES	YES	56K	NO	NO	NO	YES	NO	YES	NO	YES	NO	NO	NO
NO	NO	56K	NO	YES	YES	NO	YES	YES	NO	YES	NO	NO	NO

R865, 954-957	R867	R904	R912	R927	R929-931, 941, 953	R944	R945	R946	R947	R960	R961	W64	W105, 115	W154	WH105, 106
NO	100K	NO	NO	62K	YES	YES	YES	YES	NO	YES	10K	NO	YES	NO	YES
NO	100	NO	NO	150K	YES	YES	YES	YES	NO	NO	10K	NO	YES	YES	YES
NO	100	NO	NO	160K	YES	YES	YES	YES	NO	YES	30K	NO	YES	YES	YES
NO	100	NO	NO	56K	YES	YES	YES	NO	YES	YES	NO	NO	YES	NO	YES
YES	100	NO	YES	56K	NO	YES	NO	NO	YES	YES	NO	NO	YES	NO	NO



CAUTION: For continued safety, replace safety critical components only with manufacturer's recommended parts (refer to parts list). Δ indicates safety critical components. For continued protection against risk of fire, replace only with same type and rating fuse(s). To reduce the risk of electric shock, leakage-current or resistance measurements shall be carried out (exposed parts are acceptably insulated from the supply circuit) before the appliance is returned to the customer.

The DC voltage is an actual reading measured with a high impedance type voltmeter with no signal input. The measurement value may vary depending on the measuring instruments used or on the product.

KRF-V4070D/V5070D/V6070D/VR-705/707/715/716

Y05-4640-70

KENWOOD

* New Parts
Parts without **Parts No.** are not supplied.
Les articles non mentionnés dans le **Parts No.** ne sont pas fournis.
Teile ohne **Parts No.** werden nicht geliefert.

①

Ref. No	Add-ress	New Parts	Parts No.	Description	Desti-nation	Re-marks
MISCELLANEOUS						
601	1A		A01-3844-01	METALLIC CABINET	E1	
601	1A		A01-3844-01	METALLIC CABINET	E3	
601	1A		A01-3844-01	METALLIC CABINET	K1P1M3	
601	1A		A01-3844-01	METALLIC CABINET	K3P3X5	
601	1A		A01-3844-01	METALLIC CABINET	K4P4	
601	1A		A01-3848-01	METALLIC CABINET	M4X4E4	
601	1A		A01-3848-01	METALLIC CABINET	M6X6E6	
601	1A		A01-3848-01	METALLIC CABINET	X2E2	
601	1A	*	A01-3885-01	METALLIC CABINET	7	
601	1A		A01-3892-01	METALLIC CABINET	K5P5	
601	1A	*	A01-3892-01	METALLIC CABINET	K6P6	
602	1A		A09-1178-08	BATTERY COVER	K3P3M6	
602	1A		A09-1178-08	BATTERY COVER	K6P6	
602	1A		A09-1178-08	BATTERY COVER	X5X6E6	
602	1A		A09-1178-08	BATTERY COVER	45K5P5	
602	1A		A09-1274-08	BATTERY COVER	K4P4	
602	1A		A09-1274-08	BATTERY COVER	7	
604	2B		A60-2186-11	PANEL	K1K1K2K3	
604	2B		A60-2186-11	PANEL	K4P1P2	
604	2B		A60-2186-11	PANEL	P3P4	
604	2B	*	A60-2190-21	PANEL	E1	
604	2B	*	A60-2190-21	PANEL	M3E3	
604	2B	*	A60-2190-21	PANEL	M7X7E7	
604	2B	*	A60-2190-21	PANEL	X5	
604	2B	*	A60-2191-11	PANEL	M4X4E4	
604	2B		A60-2191-11	PANEL	M6X6E6	
604	2B		A60-2191-11	PANEL	M8X8E8	
604	2B		A60-2191-11	PANEL	X2E2	
604	2B	*	A60-2335-01	PANEL	K5P5	
604	2B	*	A60-2335-01	PANEL	K6P6	
605	1A	*	A70-1611-05	REMOTE CONTROLLER ASSY	K3P3	
605	1A	*	A70-1611-05	REMOTE CONTROLLER ASSY	K5P5	
605	1A	*	A70-1611-05	REMOTE CONTROLLER ASSY	M3M4X4	
605	1A	*	A70-1612-05	REMOTE CONTROLLER ASSY	K1P1	
605	1A	*	A70-1612-05	REMOTE CONTROLLER ASSY	K6P6	
605	1A	*	A70-1612-05	REMOTE CONTROLLER ASSY	M6X5X6	
605	1A	*	A70-1612-05	REMOTE CONTROLLER ASSY	X2	
605	1A	*	A70-1613-05	REMOTE CONTROLLER ASSY	E3E4	
605	1A	*	A70-1614-05	REMOTE CONTROLLER ASSY	E1E2	
605	1A	*	A70-1614-05	REMOTE CONTROLLER ASSY	E6	
605	1A	*	A70-1617-05	REMOTE CONTROLLER ASSY	K2P2M7	
605	1A	*	A70-1617-05	REMOTE CONTROLLER ASSY	K4P4	
605	1A	*	A70-1617-05	REMOTE CONTROLLER ASSY	M8X7X8	
605	1A	*	A70-1618-05	REMOTE CONTROLLER ASSY	E7E8	
-		*	B60-5330-00	INSTRUCTION MANUAL(EN)	K2P2M7	
-		*	B60-5330-00	INSTRUCTION MANUAL(EN)	M8X7X8	
-		*	B60-5331-00	INSTRUCTION MANUAL(FR)	P2	
-		*	B60-5332-00	INSTRUCTION MANUAL(N/S/F/G/I)	E7E8	
-		*	B60-5333-00	INSTRUCTION MANUAL(ES/TC)	M8	
-		*	B60-5335-00	INSTRUCTION MANUAL(EN)	K4P4	
-		*	B60-5336-00	INSTRUCTION MANUAL(FR)	P4	
-		*	B60-5337-00	INSTRUCTION MANUAL(EN)	K1P1M3	
-		*	B60-5337-00	INSTRUCTION MANUAL(EN)	K3P3M6	

L : Scandinavia K : USA P : Canada R : Mexico C : China I : Malaysia
Y : PX(Far East,Hawaii) T : England E : Europe G : Germany V : China(Shanghai)
Y : AAFES(Europe) X : Australia Q : Russia H : Korea M : Other Areas Δ indicates safety critical components.

* New Parts
Parts without **Parts No.** are not supplied.
Les articles non mentionnés dans le **Parts No.** ne sont pas fournis.
Teile ohne **Parts No.** werden nicht geliefert.

②

Ref. No	Add-ress	New Parts	Parts No.	Description	Desti-nation	Re-marks
-		*	B60-5337-00	INSTRUCTION MANUAL(EN)	K5P5	
-		*	B60-5337-00	INSTRUCTION MANUAL(EN)	K6P6	
-		*	B60-5337-00	INSTRUCTION MANUAL(EN)	X2X4M4	
-		*	B60-5337-00	INSTRUCTION MANUAL(EN)	X5X6	
-		*	B60-5338-00	INSTRUCTION MANUAL(FR)	P1P3P5	
-		*	B60-5338-00	INSTRUCTION MANUAL(FR)	P6	
-		*	B60-5339-00	INSTRUCTION MANUAL(N/S/F/G/I)	E1E2	
-		*	B60-5339-00	INSTRUCTION MANUAL(N/S/F/G/I)	E3E4	
-		*	B60-5339-00	INSTRUCTION MANUAL(N/S/F/G/I)	E6	
-		*	B60-5340-00	INSTRUCTION MANUAL(ES/TC)	M4M6	
610	2A		B07-2606-03	ESCUTCHEON	E1	
610	2A		B07-2606-03	ESCUTCHEON	E3	
610	2A		B07-2606-03	ESCUTCHEON	K1P1M3	
610	2A		B07-2606-03	ESCUTCHEON	K2P2M7	
610	2A		B07-2606-03	ESCUTCHEON	K3P3X5	
610	2A		B07-2606-03	ESCUTCHEON	K4P4	
610	2A		B07-2606-03	ESCUTCHEON	X7E7	
610	2A		B07-2607-03	ESCUTCHEON	K5P5	
610	2A		B07-2607-03	ESCUTCHEON	K6P6	
610	2A		B07-2607-03	ESCUTCHEON	M4X4E4	
610	2A		B07-2607-03	ESCUTCHEON	M6X6E6	
610	2A		B07-2607-03	ESCUTCHEON	M8X8E8	
610	2A		B07-2607-03	ESCUTCHEON	X2E2	
611	2A	*	B07-2659-01	ESCUTCHEON	K2P2M7	
611	2A	*	B07-2659-01	ESCUTCHEON	X7E7	
611	2A	*	B07-2660-01	ESCUTCHEON	M8X8E8	
611	2A	*	B07-2662-01	ESCUTCHEON	E1	
611	2A	*	B07-2662-01	ESCUTCHEON	E3	
611	2A	*	B07-2662-01	ESCUTCHEON	K1P1M3	
611	2A	*	B07-2662-01	ESCUTCHEON	K3P3X5	
611	2A	*	B07-2662-01	ESCUTCHEON	K4P4	
611	2A	*	B07-2663-01	ESCUTCHEON	K5P5	
611	2A	*	B07-2663-01	ESCUTCHEON	K6P6	
611	2A	*	B07-2663-01	ESCUTCHEON	M4X4E4	
611	2A	*	B07-2663-01	ESCUTCHEON	M6X6E6	
611	2A	*	B07-2663-01	ESCUTCHEON	X2E2	
612	2A	*	B10-3906-02	FRONT GLASS	K2P2	
612	2A	*	B10-3907-02	FRONT GLASS	M7M8X7	
612	2A	*	B10-3907-02	FRONT GLASS	X8	
612	2A	*	B10-3908-02	FRONT GLASS	E7E8	
612	2A	*	B10-3909-02	FRONT GLASS	K1P1	
612	2A	*	B10-3909-02	FRONT GLASS	K6P6	
612	2A	*	B10-3910-02	FRONT GLASS	M3M4X4	
612	2A	*	B10-3911-02	FRONT GLASS	E3E4	
612	2A	*	B10-3912-02	FRONT GLASS	E1E2	
612	2A	*	B10-3913-02	FRONT GLASS	X2	
612	2A	*	B10-3914-02	FRONT GLASS	K3P3	
612	2A	*	B10-3914-02	FRONT GLASS	K5P5	
612	2A	*	B10-3915-02	FRONT GLASS	M6X5X6	
612	2A	*	B10-3916-02	FRONT GLASS	E6	
612	2A	*	B10-3917-02	FRONT GLASS	K4P4	
613	2A	*	B11-1568-03	COLOR FILTER		
614	2A		B12-0448-04	INDICATOR		
615	2A		B12-0465-04	INDICATOR		
616	2A		B43-0314-04	KENWOOD BADGE		

L : Scandinavia K : USA P : Canada R : Mexico C : China I : Malaysia
Y : PX(Far East,Hawaii) T : England E : Europe G : Germany V : China(Shanghai)
Y : AAFES(Europe) X : Australia Q : Russia H : Korea M : Other Areas Δ indicates safety critical components.

* New Parts
 Parts without **Parts No.** are not supplied.
 Les articles non mentionnés dans le **Parts No.** ne sont pas fournis.
 Teile ohne **Parts No.** werden nicht geliefert.

3

* New Parts
 Parts without **Parts No.** are not supplied.
 Les articles non mentionnés dans le **Parts No.** ne sont pas fournis.
 Teile ohne **Parts No.** werden nicht geliefert.

4

Ref. No	Add-ress	New Parts	Parts No.	Description	Desti-nation	Re-marks
620	1A		E03-0115-05	AC PLUG ADAPTER	M	
621	1C		E30-2717-05	AC POWER CORD	X	
621	1C		E30-2941-05	AC POWER CORD	KP	
621	1C		E30-2942-05	AC POWER CORD	EM	
622	1C		E35-2643-05	FLAT CABLE 15P,120		
623	2B,2C		E35-2792-05	FLAT CABLE 15P,220		
624	2B,1C		E35-3306-15	FLAT CABLE 17P,260		
625	2B	*	E35-3468-05	FLAT CABLE 19P,588	456	
626	1B,1C	*	E35-3469-05	FLAT CABLE 21P,258	456	
626	1B,1C	*	E35-3470-05	FLAT CABLE	7	
-			H10-7804-01	POLYSTYRENE FOAMED FIXTURE		
-			H10-7805-01	POLYSTYRENE FOAMED FIXTURE		
-			H10-7858-04	POLYSTYRENE FOAMED FIXTURE	K4P4	
-			H10-7858-04	POLYSTYRENE FOAMED FIXTURE	7	
-		*	H12-3625-04	PACKING FIXTURE	K4P4	
-		*	H12-3625-04	PACKING FIXTURE	7	
-			H21-1515-04	PROTECTION SHEET	456	
-			H25-0232-04	PROTECTION BAG (235X350X0.03)		
-			H25-0391-04	PROTECTION BAG		
-		*	H50-4731-04	ITEM CARTON CASE	K2P2	
-		*	H50-4732-04	ITEM CARTON CASE	M7	
-		*	H50-4733-04	ITEM CARTON CASE	M8	
-		*	H50-4734-04	ITEM CARTON CASE	X7	
-		*	H50-4735-04	ITEM CARTON CASE	X8	
-		*	H50-4736-04	ITEM CARTON CASE	E7	
-		*	H50-4737-04	ITEM CARTON CASE	E8	
-		*	H50-4738-04	ITEM CARTON CASE	K1P1	
-		*	H50-4739-04	ITEM CARTON CASE	M3	
-		*	H50-4740-04	ITEM CARTON CASE	M4	
-		*	H50-4741-04	ITEM CARTON CASE	X4	
-		*	H50-4742-04	ITEM CARTON CASE	E3	
-		*	H50-4743-04	ITEM CARTON CASE	E4	
-		*	H50-4744-04	ITEM CARTON CASE	E1	
-		*	H50-4745-04	ITEM CARTON CASE	E2	
-		*	H50-4746-04	ITEM CARTON CASE	X2	
-		*	H50-4747-04	ITEM CARTON CASE	K3P3	
-		*	H50-4748-04	ITEM CARTON CASE	M6	
-		*	H50-4749-04	ITEM CARTON CASE	X5	
-		*	H50-4750-04	ITEM CARTON CASE	X6	
-		*	H50-4751-04	ITEM CARTON CASE	E6	
-		*	H50-4752-04	ITEM CARTON CASE	K4P4	
-		*	H50-4781-04	ITEM CARTON CASE	K6P6	
-		*	H50-4782-04	ITEM CARTON CASE	K5P5	
-			J61-0307-05	WIRE BAND		
635	2C		J02-1464-03	FOOT		
642	1C		J42-0349-05	POWER CORD BUSHING		
650	2A		K27-2384-04	KNOB (BUTTON)	E1	
650	2A		K27-2384-04	KNOB (BUTTON)	M3E3	
650	2A		K27-2384-04	KNOB (BUTTON)	M7X7E7	
650	2A		K27-2384-04	KNOB (BUTTON)	X5	
650	2A		K27-2481-04	KNOB (BUTTON)	M4X4E4	
650	2A		K27-2481-04	KNOB (BUTTON)	M6X6E6	
650	2A		K27-2481-04	KNOB (BUTTON)	M8X8E8	
650	2A		K27-2481-04	KNOB (BUTTON)	X2E2	

L : Scandinavia K : USA P : Canada R : Mexico C : China I : Malaysia
 Y : PX(Far East,Hawaii) T : England E : Europe G : Germany V : China(Shanghai)
 Y : AAFES(Europe) X : Australia Q : Russia H : Korea M : Other Areas Δ indicates safety critical components .

Ref. No	Add-ress	New Parts	Parts No.	Description	Desti-nation	Re-marks
651	2A		K29-8103-04	KNOB	E1	
651	2A		K29-8103-04	KNOB	E3	
651	2A		K29-8103-04	KNOB	K1P1M3	
651	2A		K29-8103-04	KNOB	K2P2M7	
651	2A		K29-8103-04	KNOB	K3P3X5	
651	2A		K29-8103-04	KNOB	K4P4	
651	2A		K29-8103-04	KNOB	X7E7	
651	2A		K29-8104-04	KNOB	K5P5	
651	2A		K29-8104-04	KNOB	K6P6	
651	2A		K29-8104-04	KNOB	M4X4E4	
651	2A		K29-8104-04	KNOB	M6X6E6	
651	2A		K29-8104-04	KNOB	M8X8E8	
651	2A		K29-8104-04	KNOB	X2E2	
651	2A		K29-8104-04	KNOB	E1	
651	2A		K29-8105-04	KNOB	E3	
652	2A		K29-8105-04	KNOB	K1P1M3	
652	2A		K29-8105-04	KNOB	K2P2M7	
652	2A		K29-8105-04	KNOB	K3P3X5	
652	2A		K29-8105-04	KNOB	K4P4	
652	2A		K29-8105-04	KNOB	X7E7	
652	2A		K29-8106-04	KNOB	K5P5	
652	2A		K29-8106-04	KNOB	K6P6	
652	2A		K29-8106-04	KNOB	M4X4E4	
652	2A		K29-8106-04	KNOB	M6X6E6	
652	2A		K29-8106-04	KNOB	M8X8E8	
652	2A		K29-8106-04	KNOB	X2E2	
653	2A,2B		K29-8117-01	KNOB	E1	
653	2A,2B		K29-8117-01	KNOB	E3	
653	2A,2B		K29-8117-01	KNOB	K1P1M3	
653	2A,2B		K29-8117-01	KNOB	K2P2M7	
653	2A,2B		K29-8117-01	KNOB	K3P3X5	
653	2A,2B		K29-8117-01	KNOB	K4P4	
653	2A,2B		K29-8117-01	KNOB	X7E7	
653	2A,2B		K29-8119-01	KNOB	K5P5	
653	2A,2B		K29-8119-01	KNOB	K6P6	
653	2A,2B		K29-8119-01	KNOB	M4X4E4	
653	2A,2B		K29-8119-01	KNOB	M6X6E6	
653	2A,2B		K29-8119-01	KNOB	M8X8E8	
653	2A,2B		K29-8119-01	KNOB	X2E2	
Δ 655	1B		L07-2922-05	POWER TRANSFORMER	KP	
Δ 655	1B		L07-2923-05	POWER TRANSFORMER	M	
Δ 655	1B		L07-2924-05	POWER TRANSFORMER	X4	
Δ 655	1B		L07-2924-05	POWER TRANSFORMER	X5X6	
Δ 655	1B		L07-2924-05	POWER TRANSFORMER	X7X8	
Δ 655	1B		L07-3167-15	POWER TRANSFORMER	E1E2	
Δ 655	1B		L07-3169-15	POWER TRANSFORMER	X2	
Δ 655	1B		L07-3210-05	POWER TRANSFORMER	E3E4	
Δ 655	1B		L07-3210-05	POWER TRANSFORMER	E6	
Δ 655	1B		L07-3210-05	POWER TRANSFORMER	E7E8	
660	1A		T90-0877-05	LEAD WIRE ANTENNA		
661	1A		T90-0893-05	LOOP ANTENNA		
665	1C	*	W02-2970-05	TUNER ASSY	KP	
665	1C	*	W02-2971-05	TUNER ASSY	MX	
665	1C	*	W02-2972-05	TUNER ASSY	E	

L : Scandinavia K : USA P : Canada R : Mexico C : China I : Malaysia
 Y : PX(Far East,Hawaii) T : England E : Europe G : Germany V : China(Shanghai)
 Y : AAFES(Europe) X : Australia Q : Russia H : Korea M : Other Areas Δ indicates safety critical components .

KRF-V4070D/V5070D/V6070D/MR-705/707/715/716
PARTS LIST

* New Parts
Parts without **Parts No.** are not supplied.
Les articles non mentionnés dans le **Parts No.** ne sont pas fournis.
Teile ohne **Parts No.** werden nicht geliefert.

5

Ref. No	Add-ress	New Parts	Parts No.	Description	Desti-nation	Re-marks
(X08-3130-14) KRF-V6070D/VR-707						
C1 ,2			CK73GB1H472K	CHIP C	4700PF	K
C3 ,4			CC73GCH1H220J	CHIP C	22PF	J
C5			CE04KW1E470M	ELECTRO	47UF	25WV
C8 ,9			CC73GCH1H270J	CHIP C	27PF	J
C10			CK73GB1H102K	CHIP C	1000PF	K
C11			CK73FB1E104K	CHIP C	0.10UF	K
C12			CK73GB1H102K	CHIP C	1000PF	K
C15			CC73GCH1H330J	CHIP C	33PF	J
C16			CK73GB1H102K	CHIP C	1000PF	K
C17			CC73GCH1H330J	CHIP C	33PF	J
C18			CC73GCH1H220J	CHIP C	22PF	J
C19			CC73GCH1H330J	CHIP C	33PF	J
C20			CK73GB1H103K	CHIP C	0.010UF	K
C30			CK73FB1E104K	CHIP C	0.10UF	K
C31			CE04RW1C4R7M	ELECTRO	4.7UF	16WV
C32			CK73FB1E104K	CHIP C	0.10UF	K
C33			CE04KW1H100M	ELECTRO	10UF	50WV
C34			CE04KW1H220M	ELECTRO	22UF	50WV
C35			CK73FB1E104K	CHIP C	0.10UF	K
C36 ,37			CC73GCH1H180J	CHIP C	18PF	J
C38			CC73GCH1H330J	CHIP C	33PF	J
C39			CK73GB1H103K	CHIP C	0.010UF	K
C101,102			CE04KW1H100M	ELECTRO	10UF	50WV
C103-106			CK73GB1H182K	CHIP C	1800PF	K
C107			CC73GCH1H101J	CHIP C	100PF	J
C108			CK73GB1H472K	CHIP C	4700PF	K
C121			CC73GCH1H102J	CHIP C	1000PF	J
C122			CC73GCH1H101J	CHIP C	100PF	J
C123,124			CC73GCH1H220J	CHIP C	22PF	J
C125			CK73GB1H103K	CHIP C	0.010UF	K
C126			CC73GCH1H101J	CHIP C	100PF	J
C127,128			CE04KW1H4R7M	ELECTRO	4.7UF	50WV
C153,154			C91-1597-05	CERAMIC	4.7UF	Z
C201,202			CE04KW1H100M	ELECTRO	10UF	50WV
C203,204			CK73GB1H222K	CHIP C	2200PF	K
C205,206			CK73GB1H821K	CHIP C	820PF	K
C207			CC73GCH1H101J	CHIP C	100PF	J
C208			CK73GB1H472K	CHIP C	4700PF	K
C209,210			CE04KW1H4R7M	ELECTRO	4.7UF	50WV
C301,302			CE04KW1H100M	ELECTRO	10UF	50WV
C303-306			CK73GB1H182K	CHIP C	1800PF	K
C307			CC73GCH1H101J	CHIP C	100PF	J
C308			CK73GB1H472K	CHIP C	4700PF	K
C309,310			CE04KW1H4R7M	ELECTRO	4.7UF	50WV
C401,402			CE04KW1H100M	ELECTRO	10UF	50WV
C403			CK73GB1H182K	CHIP C	1800PF	K
C404			CK73GB1H822K	CHIP C	8200PF	K
C405			CK73GB1H182K	CHIP C	1800PF	K
C406			CK73GB1H822K	CHIP C	8200PF	K
C407			CC73GCH1H101J	CHIP C	100PF	J
C408			CK73GB1H103K	CHIP C	0.010UF	K
C409,410			CE04KW1H4R7M	ELECTRO	4.7UF	50WV
C500-513			CK73FB1E104K	CHIP C	0.10UF	K
C514			CC73GCH1H470J	CHIP C	47PF	J

L : Scandinavia K : USA P : Canada R : Mexico C : China I : Malaysia
Y : PX(Far East,Hawaii) T : England E : Europe G : Germany V : China(Shanghai)
Y : AAFES(Europe) X : Australia Q : Russia H : Korea M : Other Areas Δ indicates safety critical components.

* New Parts
Parts without **Parts No.** are not supplied.
Les articles non mentionnés dans le **Parts No.** ne sont pas fournis.
Teile ohne **Parts No.** werden nicht geliefert.

6

Ref. No	Add-ress	New Parts	Parts No.	Description	Desti-nation	Re-marks
C515			CE04KW1A471M	ELECTRO	470UF	10WV
C600-603			CK73FB1E104K	CHIP C	0.10UF	K
C800,801			CC73GCH1H221J	CHIP C	220PF	J
C802			CK73GB1H103K	CHIP C	0.010UF	K
C803			CK73FB1H103K	CHIP C	0.010UF	K
C900			CE04KW1C472M	ELECTRO	4700UF	16WV
C901			CK73FB1E104K	CHIP C	0.10UF	K
C908			CK73FF1C225Z	CHIP C	2.2UF	Z
C909			CK73FB1E104K	CHIP C	0.10UF	K
C910			CE04KW1A101M	ELECTRO	100UF	10WV
C911			CK73FB1E104K	CHIP C	0.10UF	K
C912			CC73GCH1H390J	CHIP C	39PF	J
C913			CK73FB1E104K	CHIP C	0.10UF	K
C914			CK73FB1H103K	CHIP C	0.010UF	K
C920			CE04KW1A101M	ELECTRO	100UF	10WV
C921			CK73FB1E104K	CHIP C	0.10UF	K
C922			CC73GCH1H470J	CHIP C	47PF	J
C923			CK73FB1E104K	CHIP C	0.10UF	K
C930			CE04KW1A101M	ELECTRO	100UF	10WV
C931			CK73FB1E104K	CHIP C	0.10UF	K
C932			CC73GCH1H100D	CHIP C	10PF	D
C933			CK73FB1E104K	CHIP C	0.10UF	K
CN3			E40-8484-05	FLAT CABLE CONNECTOR		
J1			E63-1080-05	PIN JACK		
J800			E11-0293-05	MINIATURE PHONE JACK(2P)		
L1 ,2			L92-0510-05	CHIP FERRITE		
X1			L77-2296-05	CRYSTAL RESONATOR(12.288MHZ)		
CP51,52			R90-0714-05	MULTI-COMP	10K X4	
CP600-604			R90-0728-05	MULTI-COMP	180 X4	
R1			RK73GB1J471J	CHIP R	470	J 1/16W
R6			R92-1946-05	METAL GLAZE	4.7	J 1/4W
R7			RK73GB1J820J	CHIP R	82	J 1/16W
R8			RK73GB1J821J	CHIP R	820	J 1/16W
R9			RK73GB1J105J	CHIP R	1.0M	J 1/16W
R10			RK73GB1J221J	CHIP R	220	J 1/16W
R11			RK73GB1J183J	CHIP R	18K	J 1/16W
R14 ,15			RK73GB1J330J	CHIP R	33	J 1/16W
R16 -19			RK73GB1J220J	CHIP R	22	J 1/16W
R20			RK73GB1J221J	CHIP R	220	J 1/16W
R21			RK73GB1J220J	CHIP R	22	J 1/16W
R22			RK73GB1J105J	CHIP R	1.0M	J 1/16W
R23			RK73GB1J330J	CHIP R	33	J 1/16W
R30			RK73GB1J220J	CHIP R	22	J 1/16W
R31			R92-1946-05	METAL GLAZE	4.7	J 1/4W
R32			RK73GB1J221J	CHIP R	220	J 1/16W
R101,102			RK73GB1J222J	CHIP R	2.2K	J 1/16W
R103,104			RK73GB1J104J	CHIP R	100K	J 1/16W
R105,106			RK73GB1J102J	CHIP R	1.0K	J 1/16W
R107,108			RK73GB1J103J	CHIP R	10K	J 1/16W
R109,110			RK73GB1J472J	CHIP R	4.7K	J 1/16W
R111,112			RK73GB1J221J	CHIP R	220	J 1/16W
R121,122			RK73GB1J112J	CHIP R	1.1K	J 1/16W
R123,124			RK73GB1J242J	CHIP R	2.4K	J 1/16W
R125-128			RK73GB1J103J	CHIP R	10K	J 1/16W

L : Scandinavia K : USA P : Canada R : Mexico C : China I : Malaysia
Y : PX(Far East,Hawaii) T : England E : Europe G : Germany V : China(Shanghai)
Y : AAFES(Europe) X : Australia Q : Russia H : Korea M : Other Areas Δ indicates safety critical components.

* New Parts

Parts without **Parts No.** are not supplied.
Les articles non mentionnés dans le **Parts No.** ne sont pas fournis.
Teile ohne **Parts No.** werden nicht geliefert.

7

Ref. No	Add-ress	New Parts	Parts No.	Description	Desti-nation	Re-marks
R129,130			RK73GB1J101J	CHIP R 100 J 1/16W		
R151,152			RK73GB1J562J	CHIP R 5.6K J 1/16W		
R153,154			RK73GB1J432J	CHIP R 4.3K J 1/16W		
R155-158			RK73GB1J472J	CHIP R 4.7K J 1/16W		
R201,202			RK73GB1J332J	CHIP R 3.3K J 1/16W		
R203,204			RK73GB1J104J	CHIP R 100K J 1/16W		
R205,206			RK73GB1J911J	CHIP R 910 J 1/16W		
R207,208			RK73GB1J272J	CHIP R 2.7K J 1/16W		
R209,210			RK73GB1J562J	CHIP R 5.6K J 1/16W		
R211,212			RK73GB1J221J	CHIP R 220 J 1/16W		
R213			RK73GB1J472J	CHIP R 4.7K J 1/16W		
R214,215			RK73GB1J562J	CHIP R 5.6K J 1/16W		
R216			RK73GB1J472J	CHIP R 4.7K J 1/16W		
R301,302			RK73GB1J222J	CHIP R 2.2K J 1/16W		
R303,304			RK73GB1J104J	CHIP R 100K J 1/16W		
R305,306			RK73GB1J102J	CHIP R 1.0K J 1/16W		
R307,308			RK73GB1J103J	CHIP R 10K J 1/16W		
R309,310			RK73GB1J472J	CHIP R 4.7K J 1/16W		
R311,312			RK73GB1J221J	CHIP R 220 J 1/16W		
R401			RK73GB1J222J	CHIP R 2.2K J 1/16W		
R402,403			RK73GB1J104J	CHIP R 100K J 1/16W		
R404			RK73GB1J273J	CHIP R 27K J 1/16W		
R405			RK73GB1J102J	CHIP R 1.0K J 1/16W		
R406			RK73GB1J183J	CHIP R 18K J 1/16W		
R407,408			RK73GB1J103J	CHIP R 10K J 1/16W		
R409			RK73GB1J472J	CHIP R 4.7K J 1/16W		
R410			RK73GB1J562J	CHIP R 5.6K J 1/16W		
R411,412			RK73GB1J221J	CHIP R 220 J 1/16W		
R501-508			RK73GB1J104J	CHIP R 100K J 1/16W		
R509-511			RK73GB1J221J	CHIP R 220 J 1/16W		
R512			RK73GB1J104J	CHIP R 100K J 1/16W		
R513			RK73GB1J102J	CHIP R 1.0K J 1/16W		
R514			RK73GB1J472J	CHIP R 4.7K J 1/16W		
R515			R92-4583-05	METAL GLAZE 10 J 1/2W		
R541			RK73GB1J220J	CHIP R 22 J 1/16W		
R542,543			RK73GB1J101J	CHIP R 100 J 1/16W		
R601-608			RK73GB1J104J	CHIP R 100K J 1/16W		
R900			R92-1918-05	CHIP R 0.33 J 1/4W		
R910			R92-1946-05	METAL GLAZE 4.7 J 1/4W		
R920			RS14KB3D180J	FL-PROOF RS 18 J 2W		
R930			RS14KB3D4R7J	FL-PROOF RS 4.7 J 2W		
R931			RS14KB3D5R6J	FL-PROOF RS 5.6 J 2W		
R950			RK73GB1J152J	CHIP R 1.5K J 1/16W		
R951			RK73GB1J102J	CHIP R 1.0K J 1/16W		
R952			RK73GB1J472J	CHIP R 4.7K J 1/16W		
R953			RK73GB1J473J	CHIP R 47K J 1/16W		
R954,955			RK73GB1J221J	CHIP R 220 J 1/16W		
W999			R92-0679-05	CHIP R 0 OHM		
S800			S62-0034-05	SLIDE SWITCH	M7M8	
D1			DAN202U	DIODE		
D1			MA142WK	DIODE		
D1			1SS301	DIODE		
D3			DAN202U	DIODE		
D3			MA142WK	DIODE		

L : Scandinavia K : USA P : Canada R : Mexico C : China I : Malaysia
Y : PX(Far East,Hawaii) T : England E : Europe G : Germany V : China(Shanghai)
Y : AAFES(Europe) X : Australia Q : Russia H : Korea M : Other Areas Δ indicates safety critical components.

* New Parts

Parts without **Parts No.** are not supplied.
Les articles non mentionnés dans le **Parts No.** ne sont pas fournis.
Teile ohne **Parts No.** werden nicht geliefert.

8

Ref. No	Add-ress	New Parts	Parts No.	Description	Desti-nation	Re-marks
D3			1SS301	DIODE		
D4			DAP202U	DIODE		
D4			MA142WA	DIODE		
D4			1SS300	DIODE		
D800,801			MA111	DIODE		
Δ D900			D2SBA20F03	DIODE	M7M8	
Δ D901,902			MA111	DIODE		
D910			HZU3.9(B2)	ZENER DIODE		
D910			UDZ3.9B	ZENER DIODE		
D920			HZU3.9(B2)	ZENER DIODE		
D920			UDZ3.9B	ZENER DIODE		
D930			HZU5.6(B2)	ZENER DIODE		
D930			UDZ5.6B	ZENER DIODE		
D950			HZU5.1(B2)	ZENER DIODE		
D950			UDZ5.1B	ZENER DIODE		
D951			MA111	DIODE		
IC2			AK4112BVF	MOS-IC		
IC3			TC7WH241FU	MOS-IC		
IC4			AK4529-VQ	MOS-IC		
IC5			TC7SHU04FU	MOS-IC		
IC6			TC7WU04FU	MOS-IC		
IC7			TC74VHC175FT	MOS-IC		
IC11			NJM4565M	ANALOGUE IC		
IC11			NJM4565MD	IC(OP AMP X2)		
IC12			NJU7311AM	MOS-IC		
IC21			NJM4565M	ANALOGUE IC		
IC21			NJM4565MD	IC(OP AMP X2)		
IC31			NJM4565M	ANALOGUE IC		
IC31			NJM4565MD	IC(OP AMP X2)		
IC41			NJM4565M	ANALOGUE IC		
IC41			NJM4565MD	IC(OP AMP X2)		
IC50			ADSST-MEL322	MOS-IC		
IC51			27W40180N6705	ROM IC		
IC52			A61L6316-12V	SRAM IC		
IC52			UT61L6416MC10	SRAM IC		
IC52			UT61L6416MC12	SRAM IC		
IC60			TC74HCT7007AF	MOS-IC		
IC61			TC74VHC125FT	MOS-IC		
IC90			BA05T	ANALOGUE IC		
IC91			NJU7223F25	ANALOGUE IC		
IC92			BA033T	ANALOGUE IC		
IC93			BA05T	ANALOGUE IC		
IC123			NJM4565M	ANALOGUE IC		
IC123			NJM4565MD	IC(OP AMP X2)		
Q950			2SA1576A(R,S)	TRANSISTOR		
Q950			2SB1218A(Q,R)	TRANSISTOR		
Q951			2SC4081(R,S)	TRANSISTOR		
Q951			2SD1819A(Q,R)	TRANSISTOR		
A1			W02-2802-05	OPTIC RECEIVING MODULE		
(X08-3230-10) KRF-V4070D/V5070D/V5570D/VR-705/VR-715/716						
C601			CK73GB1H103K	CHIP C 0.010UF	K	
C602			CK73GB1H102K	CHIP C 1000PF	K	
C603			CC73GCH1H220J	CHIP C 22PF	J	
C604			CC73GCH1H270J	CHIP C 27PF	J	

L : Scandinavia K : USA P : Canada R : Mexico C : China I : Malaysia
Y : PX(Far East,Hawaii) T : England E : Europe G : Germany V : China(Shanghai)
Y : AAFES(Europe) X : Australia Q : Russia H : Korea M : Other Areas Δ indicates safety critical components.

KRF-V4070D/V5070D/V6070D/VR-705/707/715/716
PARTS LIST

* New Parts
Parts without **Parts No.** are not supplied.
Les articles non mentionnés dans le **Parts No.** ne sont pas fournis.
Teile ohne **Parts No.** werden nicht geliefert.

9

Ref. No	Add-ress	New Parts	Parts No.	Description	Desti-nation	Re-marks
C605,606 C607 C608 C609,610 C611			CK73GB1H103K CC73GCH1H220J CK73GB1H102K CK73GB1H103K CK73GB1H102K	CHIP C CHIP C CHIP C CHIP C CHIP C	0.010UF 22PF 1000PF 0.010UF 1000PF	K J K K K
C612 C613 C614 C615 C616			CK73GB1H103K CE04LW1H2R2M CK73GB1H103K CC73GCH1H471J CE04LW1E470M	CHIP C ELECTRO CHIP C CHIP C ELECTRO	0.010UF 2.2UF 0.010UF 470PF 47UF	K 50WV K J 25WV
C617,618 C619 C621 C622,623 C624			CK73GB1H103K CK73FB1E104K CE04KW1H2R2M CK73GB1H103K CC73GCH1H101J	CHIP C CHIP C ELECTRO CHIP C CHIP C	0.010UF 0.10UF 2.2UF 0.010UF 100PF	K K 50WV K J
C631 C632,633 C634,635 C636,637 C654			CK73FB1E104K CC73GCH1H221J CC73GCH1H220J CK73GB1H472K CE04LW1H100M	CHIP C CHIP C CHIP C CHIP C ELECTRO	0.10UF 220PF 22PF 4700PF 10UF	K J J K 50WV
C656 C657 C659 C660 C661			CE04LW1E470M CE04LW1A101M CE04KW1A101M CC73GCH1H820J CK73GB1H103K	ELECTRO ELECTRO ELECTRO CHIP C CHIP C	47UF 100UF 100UF 82PF 0.010UF	25WV 10WV 10WV J K
C662 C663 C665 C666 C667			CE04LW1A101M CK73GB1H103K CC73GCH1H330J CK73FB1E104K CE04KW1C472M	ELECTRO CHIP C CHIP C CHIP C ELECTRO	100UF 0.010UF 33PF 0.10UF 4700UF	10WV K J K 16WV
C668,669 C670 C671 C672 C673			CK73FB1E104K CE04LW1H100M CC73GCH1H470J CC73GCH1H220J CE04KW1H220M	CHIP C ELECTRO CHIP C CHIP C ELECTRO	0.10UF 10UF 47PF 22PF 22UF	K 50WV J J 50WV
C675,676 C700 C701,702 C703,704 C705,706			CC73GCH1H220J CC73GCH1H470J CE04LW1H100M CK73GB1H222K CK73GB1H182K	CHIP C CHIP C ELECTRO CHIP C CHIP C	22PF 47PF 10UF 2200PF 1800PF	J J 50WV K K
C707,708 C709 C710 C711,712 C713,714			CC73GCH1H101J CK73GB1H472K CC73GCH1H101J CE04LW1H100M CK73GB1H821K	CHIP C CHIP C CHIP C ELECTRO CHIP C	100PF 4700PF 100PF 10UF 820PF	J K J 50WV K
C715,716 C717,718 C719 C720 C721,722			CK73GB1H222K CC73GCH1H101J CC73GCH1H470J CC73GCH1H330J CE04LW1H100M	CHIP C CHIP C CHIP C CHIP C ELECTRO	2200PF 100PF 47PF 33PF 10UF	K J J J 50WV
C723 C724 C725 C726 C727,728			CK73GB1H222K CK73GB1H822K CK73GB1H182K CK73GB1H822K CC73GCH1H101J	CHIP C CHIP C CHIP C CHIP C CHIP C	2200PF 8200PF 1800PF 8200PF 100PF	K K K K J

L : Scandinavia K : USA P : Canada R : Mexico C : China I : Malaysia
Y : PX(Far East,Hawaii) T : England E : Europe G : Germany V : China(Shanghai)
Y : AAFES(Europe) X : Australia Q : Russia H : Korea M : Other Areas Δ indicates safety critical components.

* New Parts
Parts without **Parts No.** are not supplied.
Les articles non mentionnés dans le **Parts No.** ne sont pas fournis.
Teile ohne **Parts No.** werden nicht geliefert.

10

Ref. No	Add-ress	New Parts	Parts No.	Description	Desti-nation	Re-marks
C737,738 C739,740 C741 C742 C744			CC73GCH1H220J CE04LW1H100M CK73GB1H102K CC73GCH1H101J CC73GCH1H101J	CHIP C ELECTRO CHIP C CHIP C CHIP C	22PF 10UF 1000PF 100PF 100PF	J 50WV K J J
C791,792 C901-906 C907,908 C909,910 C912,913			CC73GCH1H471J CC73GCH1H470J CC73GCH1H101J CK73GB1H103K CE04LW1E470M	CHIP C CHIP C CHIP C CHIP C ELECTRO	470PF 47PF 100PF 0.010UF 47UF	J J J K 25WV
C915 C916 C917,918 C919,920			CE04EW1C471M CK73FB1E104K CC73GCH1H101J CK73GB1H103K	ELECTRO CHIP C CHIP C CHIP C	470UF 0.10UF 100PF 0.010UF	16WV K J K
CN601 CN605 J601 J602 J901		*	E40-8484-05 E40-8483-05 E63-1294-05 E11-0293-05 E56-0049-05	FLAT CABLE CONNECTOR FLAT CABLE CONNECTOR PIN JACK MINIATURE PHONE JACK(2P) CYLINDRICAL RECEPTACLE		
X601		*	L77-2296-05	CRYSTAL RESONATOR(12.288MHZ)		
CP601,602 CP603-605 R601,602 R603,604 R605			R90-0714-05 R90-0728-05 RK73GB1J221J RK73GB1J105J RK73GB1J103J	MULTI-COMP MULTI-COMP CHIP R CHIP R CHIP R	10K X4 180 X4 220 1.0M 10K	J 1/16W J 1/16W J 1/16W
R608 R609 R610 R611,612 R613,614			RK73GB1J221J RK73GB1J104J RK73GB1J221J RK73GB1J332J RK73GB1J221J	CHIP R CHIP R CHIP R CHIP R CHIP R	220 100K 220 3.3K 220	J J J J J 1/16W 1/16W 1/16W 1/16W 1/16W
R615 R623 R624 R625,626 R627,628			RK73GB1J101J RK73GB1J103J RK73GB1J221J RK73GB1J332J RK73GB1J221J	CHIP R CHIP R CHIP R CHIP R CHIP R	100 10K 220 3.3K 220	J J J J J 1/16W 1/16W 1/16W 1/16W 1/16W
R629 R630 R631 R632,633 R634			RK73GB1J103J RK73GB1J333J RK73GB1J101J RK73GB1J472J RK73GB1J471J	CHIP R CHIP R CHIP R CHIP R CHIP R	10K 33K 100 4.7K 470	J J J J J 1/16W 1/16W 1/16W 1/16W 1/16W
R635 R637,638 R639 R640 R641			RK73GB1J750J RK73GB1J220J RK73GB1J183J R92-1946-05 RD14NB2E4R7J	CHIP R CHIP R CHIP R METAL GLAZE RD	75 22 18K 4.7 4.7	J J J J J 1/16W 1/16W 1/16W 1/4W 1/4W
R642 R644 R663 R664 R665			RK73GB1J220J RK73GB1J750J RK73GB1J221J R92-1993-05 RK73GB1J223J	CHIP R CHIP R CHIP R METAL GLAZE CHIP R	22 75 220 560 22K	J J J J J 1/16W 1/16W 1/16W 1/4W 1/16W
Δ R666 R667 R670 Δ R671 R672			RS14KB3D180J RK73GB1J221J R92-1946-05 RD14NB2E1R0J RK73GB1J221J	FL-PROOF RS CHIP R METAL GLAZE RD CHIP R	18 220 4.7 1 220	J J J J J 2W 1/16W 1/4W 1/4W 1/16W

L : Scandinavia K : USA P : Canada R : Mexico C : China I : Malaysia
Y : PX(Far East,Hawaii) T : England E : Europe G : Germany V : China(Shanghai)
Y : AAFES(Europe) X : Australia Q : Russia H : Korea M : Other Areas Δ indicates safety critical components.

PARTS LIST

KRF-V4070DN/5070DN/6070DN/R-705/707/715/716

* New Parts
 Parts without **Parts No.** are not supplied.
 Les articles non mentionnés dans le **Parts No.** ne sont pas fournis.
 Teile ohne **Parts No.** werden nicht geliefert.

11

Ref. No	Add-ress	New Parts	Parts No.	Description	Desti-nation	Re-marks
R673			RK73GB1J473J	CHIP R 47K J 1/16W		
R674			RK73GB1J472J	CHIP R 4.7K J 1/16W		
R675			RK73GB1J221J	CHIP R 220 J 1/16W		
R676			RK73GB1J102J	CHIP R 1.0K J 1/16W		
R677			RK73GB1J152J	CHIP R 1.5K J 1/16W		
R678,679			RK73GB1J220J	CHIP R 22 J 1/16W		
R680			RK73GB1J471J	CHIP R 470 J 1/16W		
R683,684			RK73GB1J471J	CHIP R 470 J 1/16W		
Δ R685			R92-1945-05	METAL GLAZE 1 J 1/4W		
R689			RK73GB1J220J	CHIP R 22 J 1/16W		
R690			RK73GB1J471J	CHIP R 470 J 1/16W		
Δ R691			R92-1946-05	METAL GLAZE 4.7 J 1/4W		
R692			RK73GB1J220J	CHIP R 22 J 1/16W		
R693,694			RK73GB1J101J	CHIP R 100 J 1/16W		
R701,702			RK73GB1J222J	CHIP R 2.2K J 1/16W		
R703,704			RK73GB1J104J	CHIP R 100K J 1/16W		
R705,706			RK73GB1J222J	CHIP R 2.2K J 1/16W		
R707,708			RK73GB1J103J	CHIP R 10K J 1/16W		
R709,710			RK73GB1J472J	CHIP R 4.7K J 1/16W		
R711,712			RK73GB1J332J	CHIP R 3.3K J 1/16W		
R713,714			RK73GB1J104J	CHIP R 100K J 1/16W		
R715,716			RK73GB1J222J	CHIP R 2.2K J 1/16W		
R717,718			RK73GB1J272J	CHIP R 2.7K J 1/16W		
R719,720			RK73GB1J562J	CHIP R 5.6K J 1/16W		
R721			RK73GB1J222J	CHIP R 2.2K J 1/16W		
R722			RK73GB1J153J	CHIP R 15K J 1/16W		
R723,724			RK73GB1J104J	CHIP R 100K J 1/16W		
R725			RK73GB1J222J	CHIP R 2.2K J 1/16W		
R726			RK73GB1J183J	CHIP R 18K J 1/16W		
R727,728			RK73GB1J103J	CHIP R 10K J 1/16W		
R729			RK73GB1J472J	CHIP R 4.7K J 1/16W		
R730			RK73GB1J562J	CHIP R 5.6K J 1/16W		
R735-740			RK73GB1J103J	CHIP R 10K J 1/16W		
R741-744			RK73GB1J221J	CHIP R 220 J 1/16W		
R745			RK73GB1J102J	CHIP R 1.0K J 1/16W		
R746-748			RK73GB1J101J	CHIP R 100 J 1/16W		
R749,750			RK73GB1J272J	CHIP R 2.7K J 1/16W		
R751			RK73GB1J472J	CHIP R 4.7K J 1/16W		
R752			RK73GB1J562J	CHIP R 5.6K J 1/16W		
R753			RK73GB1J472J	CHIP R 4.7K J 1/16W		
R754			RK73GB1J562J	CHIP R 5.6K J 1/16W		
R756-758			RK73GB1J181J	CHIP R 180 J 1/16W		
R791,792			RK73GB1J183J	CHIP R 18K J 1/16W		
R793-804			RK73GB1J220J	CHIP R 22 J 1/16W		
R805-808			R92-1945-05	METAL GLAZE 1 J 1/4W		
R809-811			RK73FB2A1R0J	CHIP R 1 J 1/10W		
R812-814			R92-1945-05	METAL GLAZE 1 J 1/4W		
R901-904			RK73GB1J750J	CHIP R 75 J 1/16W	K4P4	
R905,906			RK73GB1J104J	CHIP R 100K J 1/16W	K4P4	
R907,908			RK73GB1J750J	CHIP R 75 J 1/16W	K4P4	
R911			RK73GB1J472J	CHIP R 4.7K J 1/16W	K4P4	
R912			RK73GB1J221J	CHIP R 220 J 1/16W	K4P4	
R915,916			RD14NB2E100J	RD 10 J 1/4W	K4P4	
R917			RK73GB1J103J	CHIP R 10K J 1/16W	K4P4	
R921			RK73GB1J2R2J	CHIP R 2.2 J 1/16W	K4P4	

L : Scandinavia K : USA P : Canada R : Mexico C : China I : Malaysia
 Y : PX(Far East,Hawaii) T : England E : Europe G : Germany V : China(Shanghai)
 Y : AAFES(Europe) X : Australia Q : Russia H : Korea M : Other Areas Δ indicates safety critical components.

* New Parts
 Parts without **Parts No.** are not supplied.
 Les articles non mentionnés dans le **Parts No.** ne sont pas fournis.
 Teile ohne **Parts No.** werden nicht geliefert.

12

Ref. No	Add-ress	New Parts	Parts No.	Description	Desti-nation	Re-marks
W900			R92-0679-05	CHIP R 0 OHM		
S601			S62-0034-05	SLIDE SWITCH	M3M4M6	
D601			MA111	DIODE		
D602			DAN202U	DIODE		
D602			MA142WK	DIODE		
D602			1SS301	DIODE		
D603			DAP202U	DIODE		
D603			MA142WA	DIODE		
D603			1SS300	DIODE		
D604			HZU3.9(B2)	ZENER DIODE		
D604			UDZ3.9B	ZENER DIODE		
D605			DAN202U	DIODE		
D605			MA142WK	DIODE		
D605			1SS301	DIODE		
D606,607			HZU5.6(B2)	ZENER DIODE		
D606,607			UDZ5.6B	ZENER DIODE		
D608			MA111	DIODE		
Δ D609			D2SBA20F03	DIODE		
D610			HZU5.1(B2)	ZENER DIODE		
D610			UDZ5.1B	ZENER DIODE		
Δ D613,614			MA111	DIODE	K4P4	
Δ D900-902			1SR154-400	DIODE		
IC601			CS493263-CLG	MOS-IC		
IC601			CS493263-CLR	MOS-IC		
IC602			AK4586	MOS-IC		
IC603			TC7WU04FU	MOS-IC		
IC604			TC7WH123FU	MOS-IC		
IC605			TC74HCT7007AF	MOS-IC		
IC606			TC74HC07AF	MOS-IC		
Δ IC609			XC62EP2502MR	ANALOGUE IC		
Δ IC611			BA033LBSG	ANALOGUE IC		
Δ IC612			BA05T	ANALOGUE IC		
IC701-703			NJM4565MD	IC(OP AMP X2)		
IC705			NJU7311AM	MOS-IC		
IC707			NJM4565MD	IC(OP AMP X2)		
IC901,902		*	MM1228XF	ANALOGUE IC	K4P4	
Q601			DTC124EUA	DIGITAL TRANSISTOR		
Q601			UN5212	DIGITAL TRANSISTOR		
Q606			2SB1375	TRANSISTOR		
Q608			2SC4081(R,S)	TRANSISTOR		
Q608			2SD1819A(Q,R)	TRANSISTOR		
Q609			2SA1576A(R,S)	TRANSISTOR		
Q609			2SB1218A(Q,R)	TRANSISTOR		
Q901,902			DTC124EUA	DIGITAL TRANSISTOR	K4P4	
Q901,902			UN5212	DIGITAL TRANSISTOR	K4P4	
A601			W02-2802-05	OPTIC RECEIVING MODULE		
AUDIO (X09-6740-10/X09-6750-10)						
C1 ,2			CE04KW2A100M	ELECTRO 10UF	100WV	
C101			CC45FSL1H331J	CERAMIC 330PF	J	E
C102			CC45FSL1H101J	CERAMIC 100PF	J	E
C103,104			CC45FCH1H270J	CERAMIC 27PF	J	E
C105			CE04KW1H2R2M	ELECTRO 2.2UF	50WV	E

L : Scandinavia K : USA P : Canada R : Mexico C : China I : Malaysia
 Y : PX(Far East,Hawaii) T : England E : Europe G : Germany V : China(Shanghai)
 Y : AAFES(Europe) X : Australia Q : Russia H : Korea M : Other Areas Δ indicates safety critical components.

KRF-V4070D/V5070D/V6070D/MR-705/707/715/716
PARTS LIST

* New Parts

Parts without **Parts No.** are not supplied.
Les articles non mentionnés dans le **Parts No.** ne sont pas fournis.
Teile ohne **Parts No.** werden nicht geliefert.

15

Ref. No	Add-ress	New Parts	Parts No.	Description	Desti-nation	Re-marks
C300			CC45FSL1H101J	CERAMIC 100PF	J	7
C301,302			CE04KW1H2R2M	ELECTRO 2.2UF	50WV	
C303,304			CK45FB1H471K	CERAMIC 470PF	K	
C305,306			CC45FSL1H331J	CERAMIC 330PF	J	
C307			CE04KW1H101M	ELECTRO 100UF	50WV	567
C308			CQ93FMG1H473J	MYLAR 0.047UF	J	
C309,310			CE04KW1A101M	ELECTRO 100UF	10WV	
C311			CE04KW1H4R7M	ELECTRO 4.7UF	50WV	
C312			CQ93FMG1H473J	MYLAR 0.047UF	J	
C313			CC45FSL1H101J	CERAMIC 100PF	J	
C316,317			CC45FSL1H100D	CERAMIC 10PF	D	
C318			CE04KW1H101M	ELECTRO 100UF	50WV	567
C319,320			CE04KW2A101M	ELECTRO 100UF	100WV	567
C321,322			CK45FF1H472Z	CERAMIC 4700PF	Z	
C323-328			C91-1573-05	MP-C 0.10UF	J	
C329			CK45FF1H472Z	CERAMIC 4700PF	Z	
C330			CC45FSL1H100D	CERAMIC 10PF	D	
C332			CE04KW1A101M	ELECTRO 100UF	10WV	
C333			CE04KW1H4R7M	ELECTRO 4.7UF	50WV	
C334			CE04KW1H010M	ELECTRO 1.0UF	50WV	
C335			CE04LW1H100M	ELECTRO 10UF	50WV	
C336			CE04KW1A221M	ELECTRO 220UF	10WV	
C337			CE04HW1E100M	NP-ELEC 10UF	25WV	
C338			CE04KW1E470M	ELECTRO 47UF	25WV	
C339-343			CC45FSL1H101J	CERAMIC 100PF	J	E3E4
C339-343			CC45FSL1H101J	CERAMIC 100PF	J	K3P3K4
C339-343			CC45FSL1H101J	CERAMIC 100PF	J	M3M4X4
C339-343			CC45FSL1H101J	CERAMIC 100PF	J	P4
C339-343			CC45FSL1H101J	CERAMIC 100PF	J	7
C350			CQ93FMG1H122J	MYLAR 1200PF	J	
C351			CQ93FMG1H332J	MYLAR 3300PF	J	
C352,353			CE04KW1H2R2M	ELECTRO 2.2UF	50WV	
C354			CK45FB1H471K	CERAMIC 470PF	K	
C355,356			CK45FB1H102K	CERAMIC 1000PF	K	
C357			CE04KW1H2R2M	ELECTRO 2.2UF	50WV	
C358			CQ93FMG1H104J	MYLAR 0.10UF	J	
C359-364			CE04KW1H4R7M	ELECTRO 4.7UF	50WV	
C365-370			CE04KW1H2R2M	ELECTRO 2.2UF	50WV	
C371			CQ93FMG1H104J	MYLAR 0.10UF	J	
C372			CQ93FMG1H332J	MYLAR 3300PF	J	
C373,374			CQ93FMG1H104J	MYLAR 0.10UF	J	
C375			CK45FF1H103Z	CERAMIC 0.010UF	Z	
C376,377			CE04LW1A101M	ELECTRO 100UF	10WV	
C378			CE04KW1H010M	ELECTRO 1.0UF	50WV	
C379			CK45FB1H471K	CERAMIC 470PF	K	
C380			CE04KW1H4R7M	ELECTRO 4.7UF	50WV	
C384-386			CK45FB1H471K	CERAMIC 470PF	K	
C401			CE04KW1A101M	ELECTRO 100UF	10WV	
C403,404			CE04KW2A100M	ELECTRO 10UF	100WV	
C405			CC45FSL1H470J	CERAMIC 47PF	J	
C406,407			CE04KW1H2R2M	ELECTRO 2.2UF	50WV	
C408,409			CK45FB1H471K	CERAMIC 470PF	K	
C410,411			CC45FSL1H331J	CERAMIC 330PF	J	
C412,413			CE04KW1A101M	ELECTRO 100UF	10WV	

L : Scandinavia K : USA P : Canada R : Mexico C : China I : Malaysia
Y : PX(Far East,Hawaii) T : England E : Europe G : Germany V : China(Shanghai)
Y : AAFES(Europe) X : Australia Q : Russia H : Korea M : Other Areas Δ indicates safety critical components.

* New Parts

Parts without **Parts No.** are not supplied.
Les articles non mentionnés dans le **Parts No.** ne sont pas fournis.
Teile ohne **Parts No.** werden nicht geliefert.

15

Ref. No	Add-ress	New Parts	Parts No.	Description	Desti-nation	Re-marks
C416,417			CC45FSL1H100D	CERAMIC 10PF	D	
C424,425			CK45FF1H472Z	CERAMIC 4700PF	Z	
C426-429			C91-1573-05	MP-C 0.10UF	J	
C430			CK45FF1H472Z	CERAMIC 4700PF	Z	67
C431			CC45FSL1H100D	CERAMIC 10PF	D	67
C433			CE04KW1A101M	ELECTRO 100UF	10WV	67
C434			CC45FSL1H331J	CERAMIC 330PF	J	67
C435			CK45FB1H471K	CERAMIC 470PF	K	67
C436			CE04KW1H2R2M	ELECTRO 2.2UF	50WV	67
C437,438			C91-1573-05	MP-C 0.10UF	J	67
C439-443			CK45FB1H222K	CERAMIC 2200PF	K	
C444			CC45FSL1H221J	CERAMIC 220PF	J	457
C445			CC45FSL1H560J	CERAMIC 56PF	J	
C446			CK45FB1H222K	CERAMIC 2200PF	K	67
C638-642			CC45FSL1H470J	CERAMIC 47PF	J	
C643-645			CE04KW1E470M	ELECTRO 47UF	25WV	
C648			CE04RW1C100M	ELECTRO 10UF	16WV	
C652			CE04RW1C100M	ELECTRO 10UF	16WV	
C701			CC45FSL1H101J	CERAMIC 100PF	J	7
C702			CE04KW1H2R2M	ELECTRO 2.2UF	50WV	7
C703			CC45FSL1H101J	CERAMIC 100PF	J	7
C704			CE04KW1H4R7M	ELECTRO 4.7UF	50WV	7
C826,827			CK45FB1H471K	CERAMIC 470PF	K	
CN101			E40-8481-05	FLAT CABLE CONNECTOR		
CN102			E40-8502-05	FLAT CABLE CONNECTOR		
CN103			E40-8481-05	FLAT CABLE CONNECTOR		
CN201			E40-8484-05	FLAT CABLE CONNECTOR		
J201		*	E63-1321-05	PIN JACK		4
J202		*	E63-1301-05	PIN JACK		
J203		*	E63-1301-05	PIN JACK		E6
J203		*	E63-1301-05	PIN JACK		K1P1
J203		*	E63-1301-05	PIN JACK		M6X5X6
J203		*	E63-1301-05	PIN JACK		4
J203		*	E63-1321-05	PIN JACK		E3E4
J203		*	E63-1321-05	PIN JACK		K3P3K4
J203		*	E63-1321-05	PIN JACK		M3M4X4
J203		*	E63-1321-05	PIN JACK		P4
J203		*	E63-1321-05	PIN JACK		7
J204		*	E63-1322-05	PIN JACK		E3E4
J204		*	E63-1322-05	PIN JACK		K3P3K4
J204		*	E63-1322-05	PIN JACK		M3M4X4
J204		*	E63-1322-05	PIN JACK		P4
J204		*	E63-1322-05	PIN JACK		7
Δ J205			E03-0396-05	AC OUTLET		KP
Δ J205			E03-0398-05	AC OUTLET		EM
Δ J206			E03-0325-05	AC OUTLET		X
J401			E70-0156-05	LOCK TERMINAL BOARD		
J402		*	E70-0175-05	LOCK TERMINAL BOARD		45
J403			E70-0154-05	LOCK TERMINAL BOARD		67
J404			E63-1146-05	PIN JACK		457
J603		*	E63-1291-05	PIN JACK		
J604		*	E63-1314-05	PIN JACK		
J801			E11-0271-05	PHONE JACK (METAL SLEEVE)		
Δ F101			F05-2525-05	FUSE (250V T2.5AL)		4
Δ F101			F05-3121-05	FUSE (250V T3.15AL)		E3E4

L : Scandinavia K : USA P : Canada R : Mexico C : China I : Malaysia
Y : PX(Far East,Hawaii) T : England E : Europe G : Germany V : China(Shanghai)
Y : AAFES(Europe) X : Australia Q : Russia H : Korea M : Other Areas Δ indicates safety critical components.

KRF-V4070D/V5070D/V6070D/MR-705/707/715/716
PARTS LIST

* New Parts
Parts without **Parts No.** are not supplied.
Les articles non mentionnés dans le **Parts No.** ne sont pas fournis.
Teile ohne **Parts No.** werden nicht geliefert.

17

Ref. No	Add-ress	New Parts	Parts No.	Description	Desti-nation	Re-marks
△ F101			F05-3121-05	FUSE (250V T3.15AL)	E6	
△ F101			F05-3121-05	FUSE (250V T3.15AL)	M3M4X4	
△ F101			F05-3121-05	FUSE (250V T3.15AL)	M6X5X6	
△ F101			F05-3121-05	FUSE (250V T3.15AL)	M7M8X7	
△ F101			F05-3121-05	FUSE (250V T3.15AL)	X8E7E8	
△ F101			F50-0077-05	FUSE (125V T8A)	KP	
△ F102			F06-1022-05	FUSE (250V T1AL)	MXE	
△ F103			F05-3121-05	FUSE (250V T3.15AL)	M	
L301-303			L39-1373-05	PHASE COMPENSATION COIL		
L401,402			L39-1373-05	PHASE COMPENSATION COIL		
L403			L39-1373-05	PHASE COMPENSATION COIL	67	
△ T101			L07-2758-05	POWER TRANSFORMER	KPEX	
△ T101			L07-2761-05	POWER TRANSFORMER	KPEX	
△ T101			L07-2805-05	POWER TRANSFORMER	M	
X101			L77-2002-05	CRYSTAL RESONATOR	E	
△ R123			RD14NB2E1R0J	RD 1 1/4W		
R124			RS14KB3A221J	FL-PROOF RS 220 J 1W	KPM	
R125			RD14NB2E1R0J	RD 1 J 1/4W	EX	
R125			RD14NB2E270J	RD 27 J 1/4W	KPM	
△ R126			RD14NB2E101J	RD 100 J 1/4W		
R127			RD14NB2E822J	RD 8.2K J 1/4W		
△ R132			R92-1844-05	CARBON 3.3M J 1/2W	KP	
△ R141,142			RD14NB2E1R0J	RD 1 J 1/4W		
R262			RD14BB2C132J	RD 1.3K J 1/6W		
△ R316,317			RS14KB3A472J	FL-PROOF RS 4.7K J 1W	567	
R334,335			RD14NB2E4R7J	RD 4.7 J 1/4W		
R338-341			RS14KB3DR22J	FL-PROOF RS 0.22 J 2W		
R342,343			RS14KB3D4R7J	FL-PROOF RS 4.7 J 2W		
R345			RS14KB3D4R7J	FL-PROOF RS 4.7 J 2W		
R347			RD14NB2E4R7J	RD 4.7 J 1/4W		
R348,349			RS14KB3DR22J	FL-PROOF RS 0.22 J 2W		
R365			RD14NB2E561J	RD 560 J 1/4W		
R410			RD14NB2E103J	RD 10K J 1/4W		
R411			RD14NB2E101J	RD 100 J 1/4W		
R414			RD14NB2E101J	RD 100 J 1/4W		
R415			RD14NB2E103J	RD 10K J 1/4W		
R436			RD14NB2E4R7J	RD 4.7 J 1/4W		
R438,439			RS14KB3D391J	FL-PROOF RS 390 J 2W		
R452,453			RS14KB3A472J	FL-PROOF RS 4.7K J 1W	567	
R460-463			RS14KB3DR22J	FL-PROOF RS 0.22 J 2W		
R466,467			RD14NB2E4R7J	RD 4.7 J 1/4W		
R468,469			RS14KB3D4R7J	FL-PROOF RS 4.7 J 2W		
R473,474			RS14KB3DR22J	FL-PROOF RS 0.22 J 2W	67	
R475			RD14NB2E4R7J	RD 4.7 J 1/4W	67	
R476			RS14KB3D4R7J	FL-PROOF RS 4.7 J 2W	67	
R478-480			RS14KB3A151J	FL-PROOF RS 150 J 1W		
R995,996			RS14KB3D332J	FL-PROOF RS 3.3K J 2W	567	
△ K101			S76-0099-05	MAGNETIC RELAY	KP	
△ K101			S76-0102-05	MAGNETIC RELAY	MXE	
K401-403			S76-0097-05	MAGNETIC RELAY		
△ S101			S62-0001-05	SLIDE SWITCH	M	
△ S102			S68-0107-05	PUSH SWITCH	MXE	
D113			RB441Q-40	DIODE		
△ D114-116			HSS104A	DIODE		

L : Scandinavia K : USA P : Canada R : Mexico C : China I : Malaysia
Y : PX(Far East,Hawaii) T : England E : Europe G : Germany V : China(Shanghai)
Y : AAFES(Europe) X : Australia Q : Russia H : Korea M : Other Areas △ indicates safety critical components .

* New Parts
Parts without **Parts No.** are not supplied.
Les articles non mentionnés dans le **Parts No.** ne sont pas fournis.
Teile ohne **Parts No.** werden nicht geliefert.

18

Ref. No	Add-ress	New Parts	Parts No.	Description	Desti-nation	Re-marks
△ D114-116			1SS133	DIODE		
△ D117			S1ZB20(4101)	DIODE		
D118			HZS16N(B2)	ZENER DIODE		
D118			MTZJ16(B)	ZENER DIODE		
D119			HZS15N(B2)	ZENER DIODE		
D119			MTZJ15(B)	ZENER DIODE		
△ D120			D2SBA20F03	DIODE		
△ D121			D5SBA20F03	DIODE		567
△ D122			D5SBA20F03	DIODE		M
△ D123,124			HSS104A	DIODE		
D123,124			1SS133	DIODE		
D201			HZS6.8N(B2)	ZENER DIODE		
D201			MTZJ6.8(B)	ZENER DIODE		
D202			HZS5.1N(B2)	ZENER DIODE		
D202			MTZJ5.1(B)	ZENER DIODE		
D203			HZS6.8N(B2)	ZENER DIODE		
D203			MTZJ6.8(B)	ZENER DIODE		
D215			HSS104A	DIODE		KPM
D215			1SS133	DIODE		KPM
D301,302			HZS15N(B2)	ZENER DIODE		567
D301,302			MTZJ15(B)	ZENER DIODE		
D303,304			HSS104A	DIODE		
D303,304			1SS133	DIODE		
D305,306			HZS10N(B2)	ZENER DIODE		MXE
D305,306			HZS11N(B2)	ZENER DIODE		KP
D305,306			MTZJ10(B)	ZENER DIODE		MXE
D305,306			MTZJ11(B)	ZENER DIODE		KP
D307			HZS3.9N(B2)	ZENER DIODE		
D307			MTZJ3.9(B)	ZENER DIODE		
D308-310			HSS104A	DIODE		
D308-310			1SS133	DIODE		
D311,312			HZS3.9N(B2)	ZENER DIODE		
D311,312			MTZJ3.9(B)	ZENER DIODE		
D313			HSS104A	DIODE		
D313			1SS133	DIODE		
D314			HZS3.9N(B2)	ZENER DIODE		
D314			MTZJ3.9(B)	ZENER DIODE		
D315			HSS104A	DIODE		
D315			1SS133	DIODE		
D316			HZS3.9N(B2)	ZENER DIODE		
D316			MTZJ3.9(B)	ZENER DIODE		
D317,318			HSS104A	DIODE		
D317,318			1SS133	DIODE		
D319			HZS11N(B2)	ZENER DIODE		E3E4
D319			HZS11N(B2)	ZENER DIODE		E6
D319			HZS11N(B2)	ZENER DIODE		E7E8
D319			HZS11N(B2)	ZENER DIODE		E3E4
D319			MTZJ11(B)	ZENER DIODE		E6
D319			MTZJ11(B)	ZENER DIODE		E7E8
D319,320			HZS15N(B2)	ZENER DIODE		KP
D319,320			HZS16N(B2)	ZENER DIODE		M3M4X4
D319,320			HZS16N(B2)	ZENER DIODE		M6X5X6
D319,320			HZS16N(B2)	ZENER DIODE		M7M8X7
D319,320			HZS16N(B2)	ZENER DIODE		X8
D319,320			MTZJ15(B)	ZENER DIODE		KP

L : Scandinavia K : USA P : Canada R : Mexico C : China I : Malaysia
Y : PX(Far East,Hawaii) T : England E : Europe G : Germany V : China(Shanghai)
Y : AAFES(Europe) X : Australia Q : Russia H : Korea M : Other Areas △ indicates safety critical components .

PARTS LIST

KRF-V4070DN/5070DN/6070DN/R-705/707/715/716

* New Parts

Parts without **Parts No.** are not supplied.
Les articles non mentionnés dans le **Parts No.** ne sont pas fournis.
Teile ohne **Parts No.** werden nicht geliefert.

15

Ref. No	Add-ress	New Parts	Parts No.	Description	Desti-nation	Re-marks
D319,320			MTZJ16(B)	ZENER DIODE	M3M4X4	
D319,320			MTZJ16(B)	ZENER DIODE	M6X5X6	
D319,320			MTZJ16(B)	ZENER DIODE	M7M8X7	
D319,320			MTZJ16(B)	ZENER DIODE	X8	
D320			HZS13N(B2)	ZENER DIODE	E6	
D320			HZS13N(B2)	ZENER DIODE	E7E8	
D320			MTZJ13(B)	ZENER DIODE	E3E4	
D320			MTZJ13(B)	ZENER DIODE	E6	
D320			MTZJ13(B)	ZENER DIODE	E7E8	
D323			HSS104A	DIODE		
D323			1SS133	DIODE		
D401,402			HZS15N(B2)	ZENER DIODE	567	
D401,402			MTZJ15(B)	ZENER DIODE	567	
D403,404			HSS104A	DIODE		
D403,404			1SS133	DIODE		
D406-408			HSS104A	DIODE		
D406-408			1SS133	DIODE		
D602,603			HZS5.6N(B2)	ZENER DIODE		
D602,603			MTZJ5.6(B)	ZENER DIODE		
D999			HSS104A	DIODE		
D999			1SS133	DIODE		
IC101			BU1923	ANALOGUE IC	E	
IC105			BA05T	ANALOGUE IC		
IC106			KIA7812API	ANALOGUE IC		
IC107			KIA7912PI	ANALOGUE IC		
IC201			NJM4580L-D	ANALOGUE IC	E3E4	
IC201			NJM4580L-D	ANALOGUE IC	E7E8	
IC202			M61516FP	ANALOGUE IC		
IC206			NJM4565D	ANALOGUE IC		
IC301			STK413-020A	HYBRID IC	567	
IC301			STK413-220A	HYBRID IC	567	
IC301			STK443-070	HYBRID IC	4	
IC401			STK412-020A	HYBRID IC	5	
IC401			STK412-220A	HYBRID IC	5	
IC401			STK413-020A	HYBRID IC	67	
IC401			STK413-220A	HYBRID IC	67	
IC401			STK442-070	HYBRID IC	4	
IC607			NJM2279D	ANALOGUE IC		
Q113			2SB1640	TRANSISTOR		
Q114			2SC1740S(Q,R)	TRANSISTOR		
Q114			2SC2785(F,E)	TRANSISTOR		
Q201			2SC1845(F,E)	TRANSISTOR		
Q203			2SA992(F,E)	TRANSISTOR		
Q301-306			2SC2878(B)	TRANSISTOR		
Q307,308			2SA992(F,E)	TRANSISTOR		
Q309-315			2SC1845(F,E)	TRANSISTOR		
Q316			2SA992(F,E)	TRANSISTOR		
Q317,318			2SC2878(B)	TRANSISTOR		
Q319			2SA992(F,E)	TRANSISTOR		
Q401			2SC1845(F,E)	TRANSISTOR		
Q402			2SA1535A	TRANSISTOR		
Q403			2SC3944A	TRANSISTOR		
Q404			2SC1845(F,E)	TRANSISTOR		
Q405			2SA992(F,E)	TRANSISTOR		

L : Scandinavia K : USA P : Canada R : Mexico C : China I : Malaysia
Y : PX(Far East,Hawaii) T : England E : Europe G : Germany V : China(Shanghai)
Y : AAFES(Europe) X : Australia Q : Russia H : Korea M : Other Areas Δ indicates safety critical components.

* New Parts

Parts without **Parts No.** are not supplied.
Les articles non mentionnés dans le **Parts No.** ne sont pas fournis.
Teile ohne **Parts No.** werden nicht geliefert.

20

Ref. No	Add-ress	New Parts	Parts No.	Description	Desti-nation	Re-marks
Q406			2SB1640	TRANSISTOR		
Q407,408			2SC1845(F,E)	TRANSISTOR		
Q409			2SC1845(F,E)	TRANSISTOR		
Q410,411			DTC113ZSA	DIGITAL TRANSISTOR	67	
Q410,411			UN4219	DIGITAL TRANSISTOR		
Q412			2SC1740S(Q,R)	TRANSISTOR		
Q412			2SC2785(F,E)	TRANSISTOR		
Q701			2SC2878(B)	TRANSISTOR	7	
Q800			2SC1845(F,E)	TRANSISTOR	7	
Q801,802			2SA992(F,E)	TRANSISTOR	7	
Q803			DTC113ZSA	DIGITAL TRANSISTOR	7	
Q803			UN4219	DIGITAL TRANSISTOR	7	
DISPLAY (X14-7650-10/X14-7660-10)						
D805-808			B30-2545-05	LED(RED3(160))		
C801			CE04RW1H330M	ELECTRO	33UF	50WV
C802,803			CE04RW1H010M	ELECTRO	1.0UF	50WV
C804			CE04LW1H470M	ELECTRO	47UF	50WV
C805			CE04RW1A101M	ELECTRO	100UF	10WV
C806			CE04RW1E470M	ELECTRO	47UF	25WV
C807			CE04RW1H100M	ELECTRO	10UF	50WV
C809			CE04RW1H010M	ELECTRO	1.0UF	50WV
C810			C90-1826-05	BACKUP-C	0.047F	5.5WV
C811			CE04RW1A101M	ELECTRO	100UF	10WV
C812			CE04HW1H100M	NP-ELEC	10UF	50WV
C813			CK45FF1H103Z	CERAMIC	0.010UF	Z
C814			CC45FSL1H101J	CERAMIC	100PF	J
C815,816			CK45FF1H103Z	CERAMIC	0.010UF	Z
C817			CC45FSL1H101J	CERAMIC	100PF	J
C818,819			CK45FF1H103Z	CERAMIC	0.010UF	Z
C820,821			C91-0769-05	CERAMIC	0.010UF	K
C822-825			CK45FF1H103Z	CERAMIC	0.010UF	Z
C827			CE04RW1H100M	ELECTRO	10UF	50WV
C828-832			CK45FF1H103Z	CERAMIC	0.010UF	Z
C833			CC45FSL1H101J	CERAMIC	100PF	J
C834			CQ93FMG1H103J	MYLAR	0.010UF	J
C835			CF92FV1H104J	MF-C	0.10UF	J
C836-839			C91-0745-05	CERAMIC	100PF	K
C840			CQ93FMG1H104J	MYLAR	0.10UF	J
C841			C91-0745-05	CERAMIC	100PF	K
C843			CE04KW1H2R2M	ELECTRO	2.2UF	50WV
C844,845			CK45FF1H103Z	CERAMIC	0.010UF	Z
C846			CQ93FMG1H103J	MYLAR	0.010UF	J
C847,848			C91-0745-05	CERAMIC	100PF	K
C849			CC45FSL1H100D	CERAMIC	10PF	D
C850			CC45FSL1H101J	CERAMIC	100PF	J
C851			C91-0745-05	CERAMIC	100PF	K
CN801			E40-8502-05	FLAT CABLE CONNECTOR		
CN802			E40-8501-05	FLAT CABLE CONNECTOR		
CN803			E40-8503-05	FLAT CABLE CONNECTOR		
CN805			E40-3263-05	PIN ASSY		
X800			L78-0747-05	RESONATOR	(4MHZ)	
X801			L78-0725-05	RESONATOR	(8.38MHZ)	

L : Scandinavia K : USA P : Canada R : Mexico C : China I : Malaysia
Y : PX(Far East,Hawaii) T : England E : Europe G : Germany V : China(Shanghai)
Y : AAFES(Europe) X : Australia Q : Russia H : Korea M : Other Areas Δ indicates safety critical components.

KRF-V4070D/V5070D/V6070D/MR-705/707/715/716
PARTS LIST

* New Parts
Parts without **Parts No.** are not supplied.
Les articles ne mentionnés dans le **Parts No.** ne sont pas fournis.
Teile ohne **Parts No.** werden nicht geliefert.

21

Ref. No	Add-ress	New Parts	Parts No.	Description	Desti-nation	Re-marks
CP801 CP802 CP803 R849			R90-0500-05 R90-0855-05 R90-0493-05 RD14NB2E2R2J	MULTI-COMP 100KX6 J 1/4W MULTI-COMP 100KX5 J MULTI-COMP 100KX9 J 1/6W RD 2.2 J 1/4W		
S801-812 S801-812			S70-0031-05 S70-0086-05	TACT SWITCH TACT SWITCH		
S813,814 S815			T99-0666-05 T99-0664-05	ROTARY ENCODER ROTARY ENCODER		
D801 D801 D802-804 D802-804 D809			MTZJ6.2(B) RD6.2ES(B) HSS104A 1SS133 HSS104A	ZENER DIODE ZENER DIODE DIODE DIODE DIODE		
D809 D810 D810 D811 D811			1SS133 HSS104A 1SS133 HSS104A 1SS133	DIODE DIODE DIODE DIODE DIODE	KPM KPM	
Δ D812,813 D814 D814 D816 D816			RB441Q-40 HSS104A 1SS133 HSS104A 1SS133	DIODE DIODE DIODE DIODE DIODE	M M	
D819-828 D819-828 ED801 IC801 IC802			HSS104A 1SS133 11MT129GNK MN12510F S-80840CNY	DIODE DIODE FLUORESCENT INDICATOR TUBE MOS-IC ANALOGUE IC		
IC803 IC804 IC804 IC806 Q802		*	XC6202P502TH MN101C49GGR MN101C49KLE S-80840CNY 2SC1740S(Q,R)	MOS-IC MI-COM IC MI-COM IC ANALOGUE IC TRANSISTOR	7 456 M	
Q802 Q803 Q803 Q804-807 Q804-807			2SC2785(F,E) 2SA1175(F,E) 2SA933AS(Q,R) 2SC1740S(Q,R) 2SC2785(F,E)	TRANSISTOR TRANSISTOR TRANSISTOR TRANSISTOR TRANSISTOR		
A801			W02-2759-05	ELECTRIC CIRCUIT MODULE		
SUB (X25-6520-02) VR-707						
C501,502 C503-508 C509,510 C511,512			CK73GB1H103K CC73GCH1H470J CE04LW1E470M CE04LW1H100M	CHIP C 0.010UF K CHIP C 47PF J ELECTRO 47UF 25WV ELECTRO 10UF 50WV		
J501		*	E56-0049-05	CYLINDRICAL RECEPTACLE		
R501-503 R505 R506 R507-510 R511,512			RK73GB1J221J RD14NB2E100J RK73GB1J680J RK73GB1J820J RK73GB1J104J	CHIP R 220 J 1/16W RD 10 J 1/4W CHIP R 68 J 1/16W CHIP R 82 J 1/16W CHIP R 100K J 1/16W		
R513 R514			RK73GB1J680J RD14NB2E100J	CHIP R 68 J 1/16W RD 10 J 1/4W		

L : Scandinavia K : USA P : Canada R : Mexico C : China I : Malaysia
Y : PX(Far East,Hawaii) T : England E : Europe G : Germany V : China(Shanghai)
Y : AAFES(Europe) X : Australia Q : Russia H : Korea M : Other Areas Δ indicates safety critical components .

* New Parts
Parts without **Parts No.** are not supplied.
Les articles ne mentionnés dans le **Parts No.** ne sont pas fournis.
Teile ohne **Parts No.** werden nicht geliefert.

22

Ref. No	Add-ress	New Parts	Parts No.	Description	Desti-nation	Re-marks
R517,518 R552,553			RD14NB2E470J RD14NB2E100J	RD 47 J 1/4W RD 10 J 1/4W		
D501,502 D501,502 IC501,502 Q501 Q501			HZS6.2N(B2) MTZJ6.2(B) NJM2279M 2SC3940A(R,S) 2SD863(E,F)	ZENER DIODE ZENER DIODE ANALOGUE IC TRANSISTOR TRANSISTOR		
Q502 Q502			2SA1534A(R,S) 2SB764(E,F)	TRANSISTOR TRANSISTOR		

L : Scandinavia K : USA P : Canada R : Mexico C : China I : Malaysia
Y : PX(Far East,Hawaii) T : England E : Europe G : Germany V : China(Shanghai)
Y : AAFES(Europe) X : Australia Q : Russia H : Korea M : Other Areas Δ indicates safety critical components .

Model Name	Model #	ABB.	Preamp	Audio	Display	Sub
KRF-V4070D	Y05-4642-71	E E1	X08-3230-10	X09-6742-72	X14-7652-73	
KRF-V4070D-S	Y05-4640-70	X X2	X08-3230-10	X09-6740-72	X14-7650-73	-
KRF-V4070D-S	Y05-4642-72	E E2	X08-3230-10	X09-6742-72	X14-7652-73	-
KRF-V5070D	Y05-4660-21	M M3	X08-3230-21	X09-6740-21	X14-7650-21	-
KRF-V5070D	Y05-4662-71	E E3	X08-3230-10	X09-6742-71	X14-7652-71	-
KRF-V5070D-S	Y05-4660-22	M M4	X08-3230-21	X09-6740-21	X14-7650-21	-
KRF-V5070D-S	Y05-4660-71	X X4	X08-3230-10	X09-6740-71	X14-7650-71	-
KRF-V5070D-S	Y05-4662-72	E E4	X08-3230-10	X09-6742-71	X14-7652-71	-
VR-705	Y05-4660-10	K K1	X08-3230-10	X09-6740-10	X14-7650-10	-
VR-705-S	Y05-4661-01	P P1	X08-3230-10	X09-6740-10	X14-7650-10	-
VR-705-S	Y05-4660-11	K K6	X08-3230-10	X09-6740-10	X14-7650-10	-
VR-705-S	Y05-4661-02	P P6	X08-3230-10	X09-6740-10	X14-7650-10	-
KRF-V5570D	Y05-4650-71	X X5	X08-3230-10	X09-6750-71	X14-7650-72	-
KRF-V5570D-S	Y05-4650-21	M M6	X08-3230-21	X09-6750-21	X14-7650-22	-
KRF-V5570D-S	Y05-4650-72	X X6	X08-3230-10	X09-6750-71	X14-7650-72	-
KRF-V5570D-S	Y05-4652-71	E E6	X08-3230-10	X09-6752-71	X14-7652-72	-
VR-715	Y05-4650-10	K K3	X08-3230-10	X09-6750-10	X14-7650-11	-
VR-715-S	Y05-4651-01	P P3	X08-3230-10	X09-6750-10	X14-7650-11	-
VR-715-S	Y05-465-12	K K5	X08-3230-10	X09-6750-10	X14-7650-11	-
VR-715-S	Y05-4651-13	P P5	X08-3230-10	X09-6750-10	X14-7650-11	-
VR-716	Y05-4650-11	K K4	X08-3230-11	X09-6750-11	X14-7660-11	-
VR-716	Y05-4651-02	P P4	X08-3230-11	X09-6750-11	X14-7660-11	-
KRF-V6070D	Y05-4670-21	M M7	X08-3130-24	X09-6750-22	X14-7660-21	-
KRF-V6070D	Y05-4670-71	X X7	X08-3130-14	X09-6750-72	X14-7660-71	-
KRF-V6070D	Y05-4672-71	E E7	X08-3130-14	X09-6752-72	X14-7662-71	-
KRF-V6070D-S	Y05-4670-22	M M8	X08-3130-24	X09-6750-22	X14-7660-21	-
KRF-V6070D-S	Y05-4670-72	X X8	X08-3130-14	X09-6750-72	X14-7660-71	-
KRF-V6070D-S	Y05-4672-72	E E8	X08-3130-14	X09-6752-72	X14-7662-71	-
VR-707	Y05-4670-10	K K2	X08-3130-14	X09-6750-12	X14-7660-10	X25-6520-12
VR-707	Y05-4671-01	P P2	X08-3130-14	X09-6750-12	X14-7660-10	X25-6520-12

HOW TO READ THE PARTS LIST
ABBREVIATION OF MODEL AND MASS PRODUCTION'S DESTINATIONS

MODEL	ABB.	Australia	Canada	China	England	Europe	Germany	Korea	Malaysia
KRF-V4070D	4	X	P	-	E	-	-	-	-
KRF-V4070D-S	4	X2	-	-	E2	-	-	-	-
KRF-V5070D	5	-	-	-	E3	-	-	-	-
KRF-V5070D-S	5	X4	-	-	E4	-	-	-	-
KRF-V5570D	6	X5	-	-	-	-	-	-	-
KRF-V5570D-S	6	X6	-	-	E6	-	-	-	-
KRF-V6070D	7	X7	-	-	E7	-	-	-	-
KRF-V6070D-S	7	X8	-	-	E8	-	-	-	-
VR-705	5	-	P1	-	-	-	-	-	-
VR-705-S	5	-	P6	-	-	-	-	-	-
VR-707	7	-	P2	-	-	-	-	-	-
VR-715	6	-	P3	-	-	-	-	-	-
VR-715-S	6	-	P4	-	-	-	-	-	-
VR-716	6	-	P4	-	-	-	-	-	-

MODEL	ABB.	Mexico	PX/AAFES	Russia	Scandinavia	Shanghai	USA	Other area
KRF-V4070D	4	-	-	-	-	-	K	M
KRF-V4070D-S	4	-	-	-	-	-	-	-
KRF-V5070D	5	-	-	-	-	-	-	M3
KRF-V5070D-S	5	-	-	-	-	-	-	M4
KRF-V5570D	6	-	-	-	-	-	-	-
KRF-V5570D-S	6	-	-	-	-	-	-	M6
KRF-V6070D	7	-	-	-	-	-	-	M7
KRF-V6070D-S	7	-	-	-	-	-	-	M8
VR-705	5	-	-	-	-	-	K1	-
VR-705	5	-	-	-	-	-	K6	-
VR-707	7	-	-	-	-	-	K2	-
VR-715	6	-	-	-	-	-	K3	-
VR-715-S	6	-	-	-	-	-	K5	-
VR-716	6	-	-	-	-	-	K4	-

KRF-V4070D/V5070D/V6070D/VR-705/707/715/716

SPECIFICATIONS

For the U.S.A and Canada

AUDIO section

Rated power output during STEREO operation

100 watts per channel minimum RMS, both channels driven, at 8Ω from 40 Hz to 20 kHz with no more than 0.7% total harmonic distortion. (FTC)

Effective power output during SURROUND operation

FRONT (40 ~ 20 kHz, 0.7% T.H.D. at 8Ω one channel driven)	100 W + 100 W
CENTER (40 ~ 20 kHz, 0.7% T.H.D. at 8Ω one channel driven)	100 W
SURROUND (40 ~ 20 kHz, 0.7% T.H.D. at 8Ω one channel driven)	100 W + 100 W
SURROUND BACK (80 Hz, 0.7% T.H.D. at 8Ω one channel driven) (VR-707)	100 W
Total harmonic distortion	0.05% (1 kHz, 50 W, 8 Ω)
Frequency response	CD 20 Hz ~ 70 kHz, +0 dB, -3.0 dB
Signal to noise ratio (IHF'66)	CD 95 dB
Input sensitivity / impedance	CD 550 mV / 47 kΩ DVD/6CH INPUT (VR-707) 550 mV / 47 kΩ
Output level / impedance	TAPE REC. 550 mV / 1 kΩ PRE OUT (SUBWOOFER) (VR-707) 1.5 V / 2.2 kΩ
Tone control	BASS ±10 dB (at 100 Hz) TREBLE ±10 dB (at 10 kHz)
Loudness control	VOLUME at -30dB level +8 dB (at 100 Hz)

For other countries

AUDIO section

Rated power output during STEREO operation

100 watts per channel minimum RMS, both channels driven, at 8Ω from 40 Hz to 20 kHz with no more than 0.7% total harmonic distortion. (FTC)

Effective power output during SURROUND operation

FRONT (1 kHz, 0.7% T.H.D. at 8 Ω one channel driven)	100 W + 100 W
CENTER (1 kHz, 0.7% T.H.D. at 8 Ω one channel driven)	100 W
SURROUND (1 kHz, 0.7% T.H.D. at 8Ω one channel driven)	100 W + 100 W
SURROUND BACK (80 Hz, 0.7% T.H.D. at 8 Ω one channel driven) (KRF-V6070D)	100 W
Total harmonic distortion	0.05% (1 kHz, 50 W, 8 Ω)
Frequency response	CD 20 Hz ~ 70 kHz, +0 dB, -3.0 dB
Signal to noise ratio (IHF'66)	CD, TUNER, AUX, TAPE 95 dB
Input sensitivity / impedance	CD 550 mV / 47 kΩ DVD/6CH INPUT (KRF-V6070D) 550 mV / 10 kΩ
Output level / impedance	TAPE REC. 550 mV / 1 kΩ PRE OUT (SUBWOOFER) (KRF-V6070D) 1.5 V / 2.2 kΩ
Tone control	BASS ±10 dB (at 100 Hz) TREBLE ±10 dB (at 10 kHz)
Loudness control	VOLUME at -30dB level +8 dB (at 100 Hz)

DIGITAL AUDIO section

Sampling frequency	32 kHz, 44.1 kHz, 48 kHz, 96 kHz
Input level / impedance / wave length	Optical (-15 dBm ~ -21 dBm), 660 nm ±30 nm Coaxial 0.5 Vp-p / 75 Ω

VIDEO section

VIDEO inputs / outputs	VIDEO (composite) 1 Vp-p / 75 Ω
------------------------	---------------------------------

FM tuner section

Tuning frequency range	87.5 MHz ~ 108.0 MHz
Usable sensitivity (MONO)	VR-707 1.3 μV (75Ω) / 13.2 dBf (75 kHz DEV., SINAD 30 dB) KRF-V6070D 1.6 μV (75Ω) / 15.2 dBf (75 kHz DEV., SINAD 30 dB)
50dB quieting sensitivity	STEREO 28 μV (75Ω) / 40.2 dBf
Total harmonic distortion (1 kHz)	MONO 0.5% (71.2 dBf input) STEREO 0.7% (71.2 dBf input)
Signal to noise ratio (1 kHz, 75 kHz DEV.)	MONO 75 dB (71.2 dBf input) STEREO 68 dB (71.2 dBf input)
Stereo separation (1 kHz)	40 dB
Selectivity (±400 kHz) VR-707	70 dB
KRF-V6070D	50 dB
Frequency response	(30 Hz ~ 15kHz), +0.5 dB, -3.0 dB

AM tuner section

Tuning frequency range	10 kHz step (VR-707) 530 kHz ~ 1,700 kHz 10 kHz step (KRF-V6070D) 530 kHz ~ 1,610 kHz 9 kHz step (KRF-V6070D) 531 kHz ~ 1,602 kHz
Usable sensitivity (30% mod., S/N 20dB) (VR-707)	16 μV / (600 μV/m)
Usable sensitivity (KRF-V6070D)	16 μV / (600 μV/m)
Signal to noise ratio (30% mod. 1 mV input)	50 dB

GENERAL

Power consumption	VR-707 2.2 A KRF-V6070D 280W
AC outlet	SWITCHED
VR-707	(total 150 W, 1.25 A max.)
KRF-V6070D	(total 90 W max.)
Dimensions	W : 440 mm (17-5/16") H : 143 mm (5-5/8") D : 303 mm (11-15/16")
Weight (Net)	VR-707 7.7 kg (17.00 lb) KRF-V6070D 8.8 kg (19.40 lb)

Notes

1. KENWOOD follows a policy of continuous advancements in development. For this reason specifications may be changed without notice.
2. The full performance may not be exhibited in an extremely cold location (under a water-freezing temperature).

KRF-V4070D/V5070D/V6070D/VR-705/707/715/716

SPECIFICATIONS

For the U.S.A and Canada

AUDIO section (VR-705/715/716)

Rated power output during STEREO operation

100 watts per channel minimum RMS, both channels driven, at 8Ω from 40 Hz to 20 kHz with no more than 0.7% total harmonic distortion. (FTC)

Effective power output during SURROUND operation

FRONT (40 ~ 20 kHz, 0.7% T.H.D. at 8 Ω one channel driven) 100 W + 100 W
CENTER (40 ~ 20 kHz, 0.7% T.H.D. at 8 Ω one channel driven) 100 W
SURROUND (40 ~ 20 kHz, 0.7% T.H.D. at 8 Ω one channel driven) 100 W + 100 W
SUBWOOFER (80 Hz, 0.7% T.H.D. at 8 Ω one channel driven) (VR-715/716) 100 W

Total harmonic distortion 0.05% (1 kHz, 50 W, 8 Ω)

Frequency response

CD/DVD 20 Hz ~ 70 kHz, +0 dB, -3.0 dB

Signal to noise ratio (IHF'66)

CD/DVD, AUX, TAPE, VIDEO1, VIDEO2 95 dB

Input sensitivity / impedance

CD/DVD 550 mV / 47 kΩ

DVD/6CH INPUT (VR-715/716) 550 mV / 47 kΩ

Output level / impedance

TAPE REC 550 mV / 1 kΩ

PRE OUT (SUBWOOFER) (VR-705) 1.5 V / 2.2 kΩ

Tone control

BASS ±10 dB (at 100 Hz)

TREBLE ±10 dB (at 10 kHz)

Loudness control

VOLUME at -30dB level +8 dB (at 100 Hz)

For other countries

AUDIO section (KRF-V5070D/V5570D)

Rated power output during STEREO operation

100 watts per channel minimum RMS, both channels driven, at 8Ω from 40 Hz to 20 kHz with no more than 0.7% total harmonic distortion. (FTC)

Effective power output during SURROUND operation

FRONT (1 kHz, 0.7% T.H.D. at 8 Ω one channel driven) 100 W + 100 W
CENTER (1 kHz, 0.7% T.H.D. at 8 Ω one channel driven) 100 W
SURROUND (1 kHz, 0.7% T.H.D. at 8 Ω one channel driven) 100 W + 100 W
SUBWOOFER (80 Hz, 0.7% T.H.D. at 8 Ω one channel driven) (KRF-V5570D) 100 W

Total harmonic distortion 0.05% (1 kHz, 50 W, 8 Ω)

Frequency response

CD/DVD 20 Hz ~ 70 kHz, +0 dB, -3.0 dB

Signal to noise ratio (IHF'66)

CD/DVD, AUX, TAPE, VIDEO1, VIDEO2 95 dB

Input sensitivity / impedance

CD/DVD 550 mV / 47 kΩ

DVD/6CH INPUT (KRF-V5070D) 550 mV / 10 kΩ

Output level / impedance

TAPE REC 550 mV / 1 kΩ

PRE OUT (SUBWOOFER) (KRF-V5070D) 1.5 V / 2.2 kΩ

Tone control

BASS ±10 dB (at 100 Hz)

TREBLE ±10 dB (at 10 kHz)

Loudness control

VOLUME at -30dB level +8 dB (at 100 Hz)

AUDIO section (KRF-V4070D)

Effective power output during STEREO operation

1 kHz, 0.7% T.H.D., at 8 Ω 50 W + 50 W

Rated power output during STEREO operation

40 watts per channel minimum RMS, both channels driven, at 8Ω from 40 Hz to 20 kHz with no more than 0.7% total harmonic distortion. (FTC)

Effective power output during SURROUND operation

FRONT (1 kHz, 0.7% T.H.D. at 8 Ω one channel driven) 50 W + 50 W
CENTER (1 kHz, 0.7% T.H.D. at 8 Ω one channel driven) 50 W
SURROUND (1 kHz, 0.7% T.H.D. at 8 Ω one channel driven) 50 W + 50 W

Total harmonic distortion 0.15% (1 kHz, 20 W, 8 Ω)

Frequency response

CD/DVD 20 Hz ~ 70 kHz, +0 dB, -3.0 dB

Signal to noise ratio (IHF'66)

CD/DVD, AUX, TAPE, VIDEO1, VIDEO2 95 dB

Input sensitivity / impedance

CD/DVD 400 mV / 47 kΩ

Output level / impedance

TAPE REC 400 mV / 1 kΩ

PRE OUT (SUBWOOFER) 1.5 V / 2.2 kΩ

Tone control

BASS ±10 dB (at 70 Hz)

TREBLE ±10 dB (at 10 kHz)

Loudness control

VOLUME at -30dB level +8 dB (at 100 Hz)

DIGITAL AUDIO section

Sampling frequency 32 kHz, 44.1 kHz, 48 kHz, 96 kHz

Input level / impedance / wave length

Optical (-15 dBm ~ -21 dBm), 660 nm ±30 nm

Coaxial 0.5 Vp-p / 75Ω

VIDEO section

VIDEO inputs / outputs

VIDEO (composite) 1 Vp-p / 75Ω

S-VIDEO inputs / outputs (VR-716)

S-VIDEO (luminance signal) 1 Vp-p / 75Ω

S-VIDEO (chrominance signal) 0.286 Vp-p / 75Ω

FM tuner section

Tuning frequency range 87.5 MHz ~ 108.0 MHz

Usable sensitivity (MONO)

VR-705/715 1.3 μV (75 Ω) / 13.2 dBf (75 kHz DEV., SINAD 30 dB)

KRF-V5070D/V4070D/V5570D

..... 1.6 μV (75 Ω) / 15.2 dBf (75 kHz DEV., SINAD 30 dB)

50dB quieting sensitivity

STEREO 28 μV (75 Ω) / 40.2 dBf

Total harmonic distortion (1 kHz)

MONO 0.5% (71.2 dBf input)

STEREO 0.7% (71.2 dBf input)

Signal to noise ratio (1 kHz, 75 kHz DEV.)

MONO 75 dB (71.2 dBf input)

STEREO 68 dB (71.2 dBf input)

Stereo separation (1 kHz)

Selectivity (±400 kHz) VR-705/715/716 70 dB

KRF-V5070D/V4070D/V5570D 50 dB

Frequency response

(30 Hz ~ 15kHz), +0.5 dB, -3.0 dB

AM tuner section

Tuning frequency range

10 kHz step (VR-705/715/716) 530 kHz ~ 1,700 kHz

10 kHz step (KRF-V5070D/V4070D/V5570D) 530 kHz ~ 1,610 kHz

9 kHz step (KRF-V5070D/V4070D/V5570D) 531 kHz ~ 1,602 kHz

Usable sensitivity (30% mod., S/N 20dB) (VR-705/715/716)

..... 16 μV / (600 μV/m)

Usable sensitivity (KRF-V5070D/V5570D/V4070D) 16 μV / (600 μV/m)

Signal to noise ratio (30% mod. 1 mV input) 50 dB

GENERAL

Power consumption VR-705/715/716 2.2 A

KRF-V5070D/V5570D 280W

KRF-V4070D 200W

AC outlet

SWITCHED

VR-705/715 (total 150 W, 1.25 A max.)

KRF-V5070D/V4070D/V5570D (total 90 W max.)

Dimensions W : 440 mm (17-5/16")

H : 143 mm (5-5/8")

D : 303 mm (11-15/16")

Weight (Net)

VR-705/715/716 8.7 kg (19.18 lb)

KRF-V5070D/V4070D/V5570D 9.3 kg (20.50 lb)

Notes

1. KENWOOD follows a policy of continuous advancements in development. For this reason specifications may be changed without notice.
2. The full performance may not be exhibited in an extremely cold location (under a water-freezing temperature).

KRF-V4070D/V5070D/V6070D/VR-705/707/715/716

KENWOOD CORPORATION

2967-3, Ishikawa-machi, Hachioji-shi, Tokyo, 192-8525 Japan

KENWOOD U.S.A. CORPORATION

P.O BOX 22745, 2201 East Dominguez St., Long Beach, CA 90801-5745, U.S.A.

KENWOOD ELECTRONICS CANADA INC.

6070 Kestrel Road, Mississauga, Ontario, Canada L5T 1S8

KENWOOD ELECTRONICS LATIN AMERICA S.A.

P.O BOX 55-2791, Piso 6 plaza Chase, Cl. 47 y Aquilino de la Guardia Panama, Republic de Panama

KENWOOD ELECTRONICS BRASIL LTDA.

Alameda Ministro Rocha Azevedo No. 456, Edificio Jaú, 10o Andar, Cerqueira César, Cep 0140-001, São Paulo-SP-Brasil

KENWOOD ELECTRONICS U.K. LIMITED

KENWOOD House, Dwight Road, Watford, Herts., WD18 9EB, United Kingdom

KENWOOD ELECTRONICS BELGIUM N.V.

Leuvensesteenweg 248 J, 1800 Vilvoorde, Belgium

KENWOOD ELECTRONICS DEUTSCHLAND GMBH

Rembrücker Str. 15, 63150 Heusenstamm, Germany

KENWOOD ELECTRONICS FRANCE S.A.

13 Boulevard Ney, 75018 Paris, France

KENWOOD ELECTRONICS ITALIA S.p.A.

Via G. Sirtori, 7/9 20129, Milano, Italy

KENWOOD IBÉRICA S.A.

Bolivia, 239-08020 Barcelona, Spain

KENWOOD ELECTRONICS AUSTRALIA PTY. LTD.

(A.C.N. 001 499 074)

16 Giffnock Avenue, North Ryde, N.S.W. 2113, Australia

KENWOOD ELECTRONICS (HONG KONG) LTD.

Unit 3712-3724, Level 37, Tower 1, Metroplaza, 223 Hing Fong Road, Kwai Fong N.T., Hong Kong

KENWOOD ELECTRONICS GULF FZE

P.O.Box 61318, Jebel Ali, Dubai, U.A.E.

KENWOOD ELECTRONICS SINGAPORE PTE LTD.

No. 1 Genting Lane #02-02, KENWOOD Building, Singapore, 349544

KENWOOD ELECTRONICS (MALAYSIA) SDN BHD.

#4.01 Level 4, Wisma Academy Lot 4A, Jalan 19/1 46300 Petaling Jaya Selangor Darul Ehsan Malaysia

KENWOOD ELECTRONICS (THAILAND) CO., LTD.

2019 New Pechburi Road, Bangkapi, Huaykwang, Bangkok, 10320 Thailand