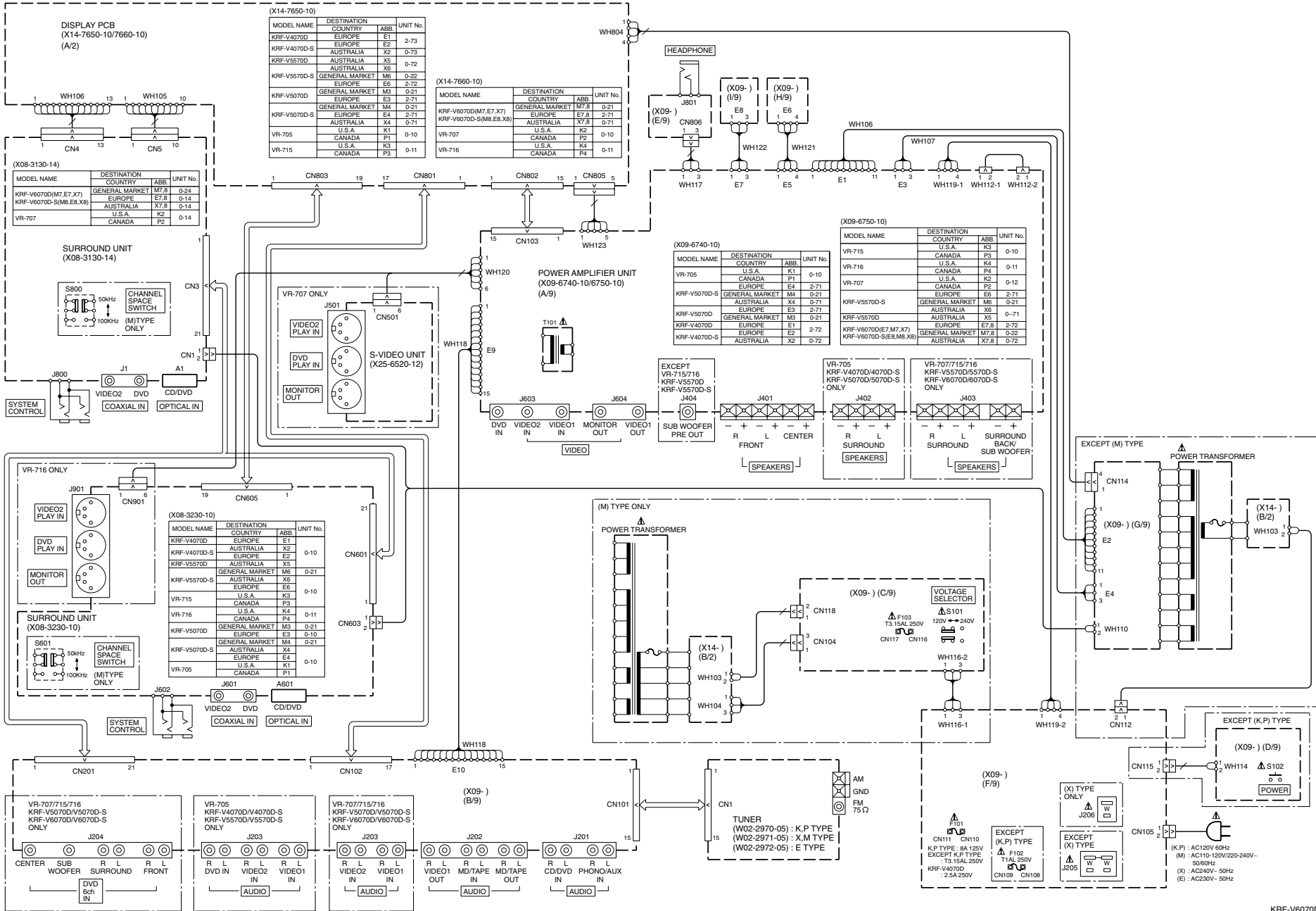
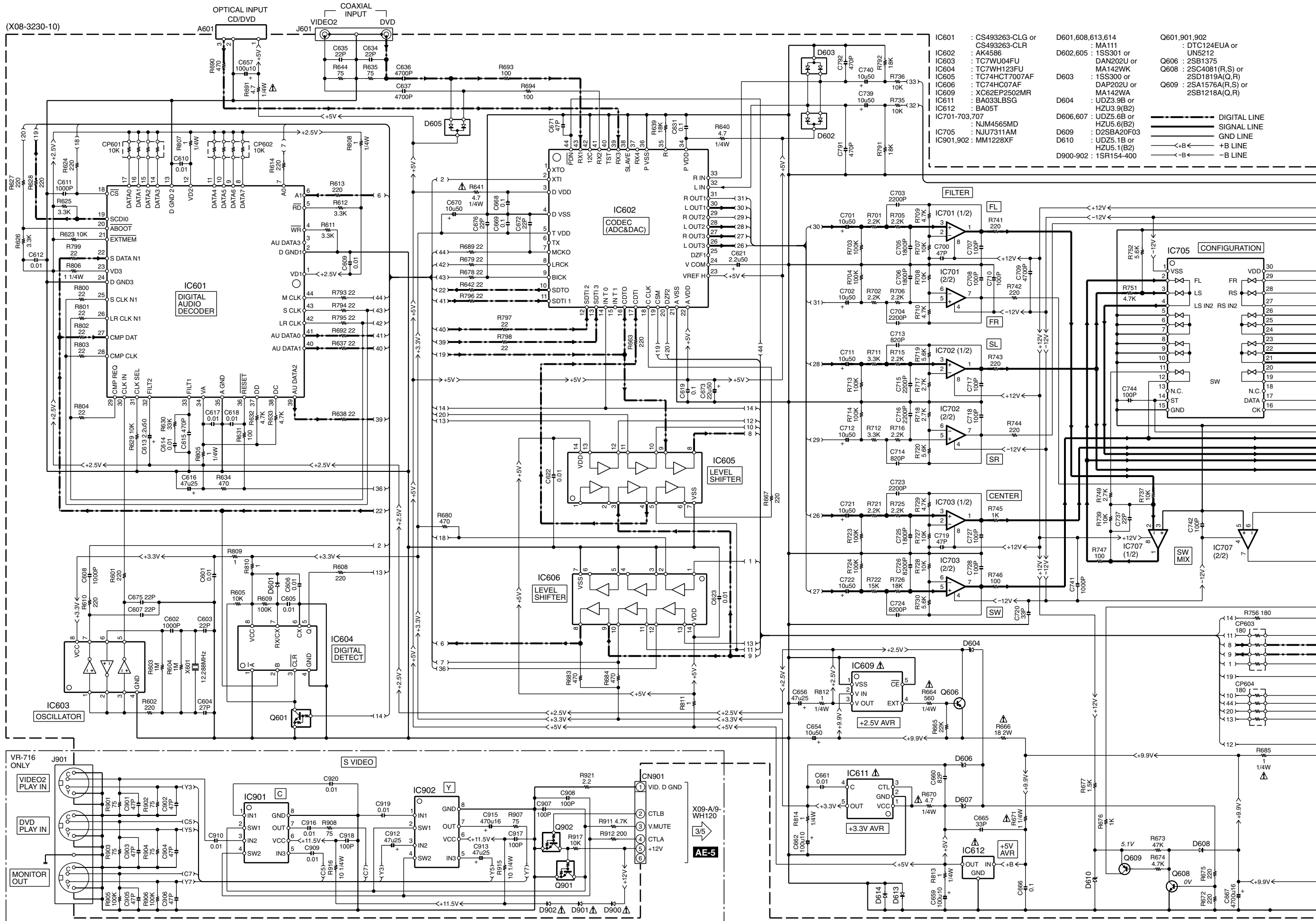


INTERCONNECTION DIAGRAM

KRF-V4070D/V5070D/V6070D/VR-705/707/715/716





- |                                      |   |                                       |
|--------------------------------------|---|---------------------------------------|
| IC601 : CS493263-CLG or CS493263-CLR | D601,608,613,614 : MA111                | Q601,901,902 : DTC124EUA or UN5212    |
| IC602 : AK4586                       | D602,605 : 1SS301 or DAN202U or MA142WK | Q606 : 2SB1375                        |
| IC603 : TC7WU04FU                    | D603 : 1SS300 or DAP202U or MA142WA     | Q608 : 2SC4081(R,S) or 2SD1819A(Q,R)  |
| IC604 : TC7WH123FU                   | D604 : UDZ3.9B or HZU3.9(B2)            | Q609 : 2SA1576A(R,S) or 2SB2128A(Q,R) |
| IC605 : TC74HCT7007AF                | D606,607 : UDZ5.6B or HZU5.6(B2)        |                                       |
| IC606 : TC74HC07AF                   | D609 : D2SBA20F03                       |                                       |
| IC609 : XC62EP2502MR                 | D610 : UDZ5.1B or HZU5.1(B2)            |                                       |
| IC611 : BA033LBSG                    | D900-902 : 1SR154-400                   |                                       |
| IC612 : BA05T                        |   |                                       |
| IC701-703,707 : NJM4565MD            |   |                                       |
| IC705 : NJU7311AM                    |   |                                       |
| IC901,902 : MM1228XF                 |   |                                       |
- DIGITAL LINE  
 ——— SIGNAL LINE  
 ——— GND LINE  
 <-+B< — +B LINE  
 <-B< — -B LINE

(X08-3230-10)

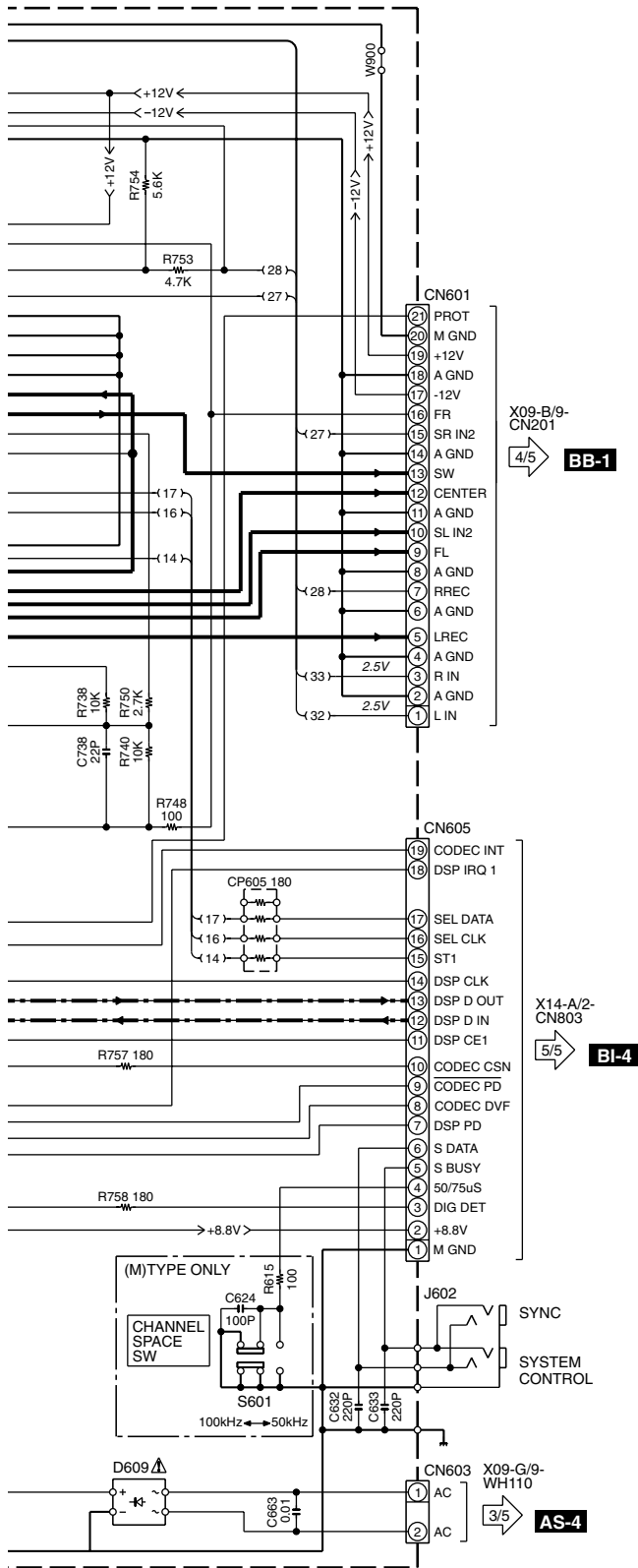
VR-716 ONLY

AE-5

(X08-3230-10)

MODEL NAME	DESTINATION		UNIT No.
	COUNTRY	ABB.	
KRF-V4070D	EUROPE	E1	0-10
KRF-V4070D-S	AUSTRALIA	X2	
	EUROPE	E2	
KRF-V5570D	AUSTRALIA	X5	0-21
KRF-V5570D-S	GENERAL MARKET	M6	
	AUSTRALIA	X6	0-10
	EUROPE	E6	
VR-715	U.S.A.	K3	
	CANADA	P3	0-11
VR-716	U.S.A.	K4	
	CANADA	P4	
KRF-V5070D	GENERAL MARKET	M3	0-21
	EUROPE	E3	0-10
	GENERAL MARKET	M4	0-21
KRF-V5070D-S	AUSTRALIA	X4	0-10
	EUROPE	E4	
	U.S.A.	K1	
VR-705	CANADA	P1	

(X08-3230-10)



KRF-V4070D/V5070D/V5570D (1/5)  
VR-705/715/716 (1/5)

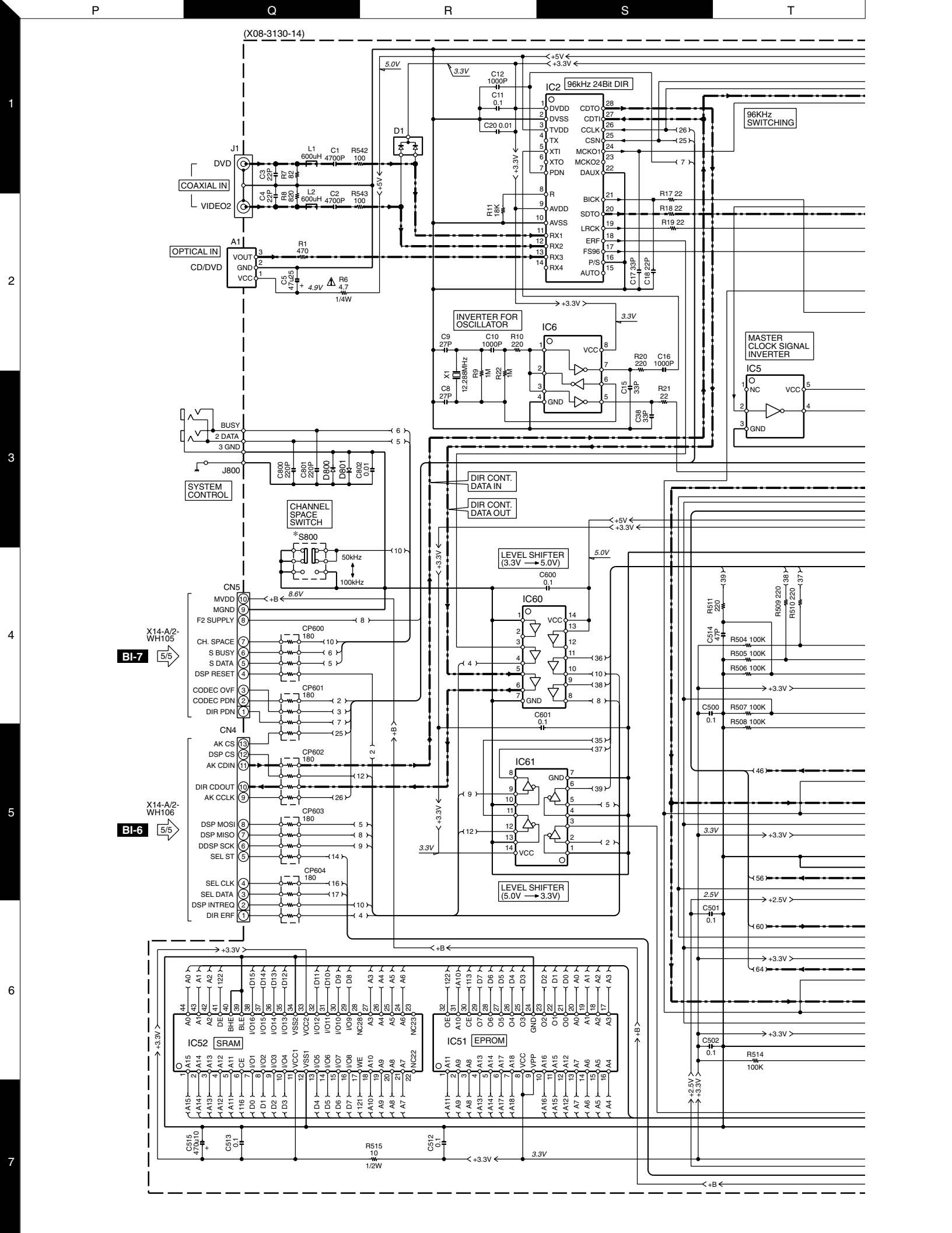
Y05-4640-70

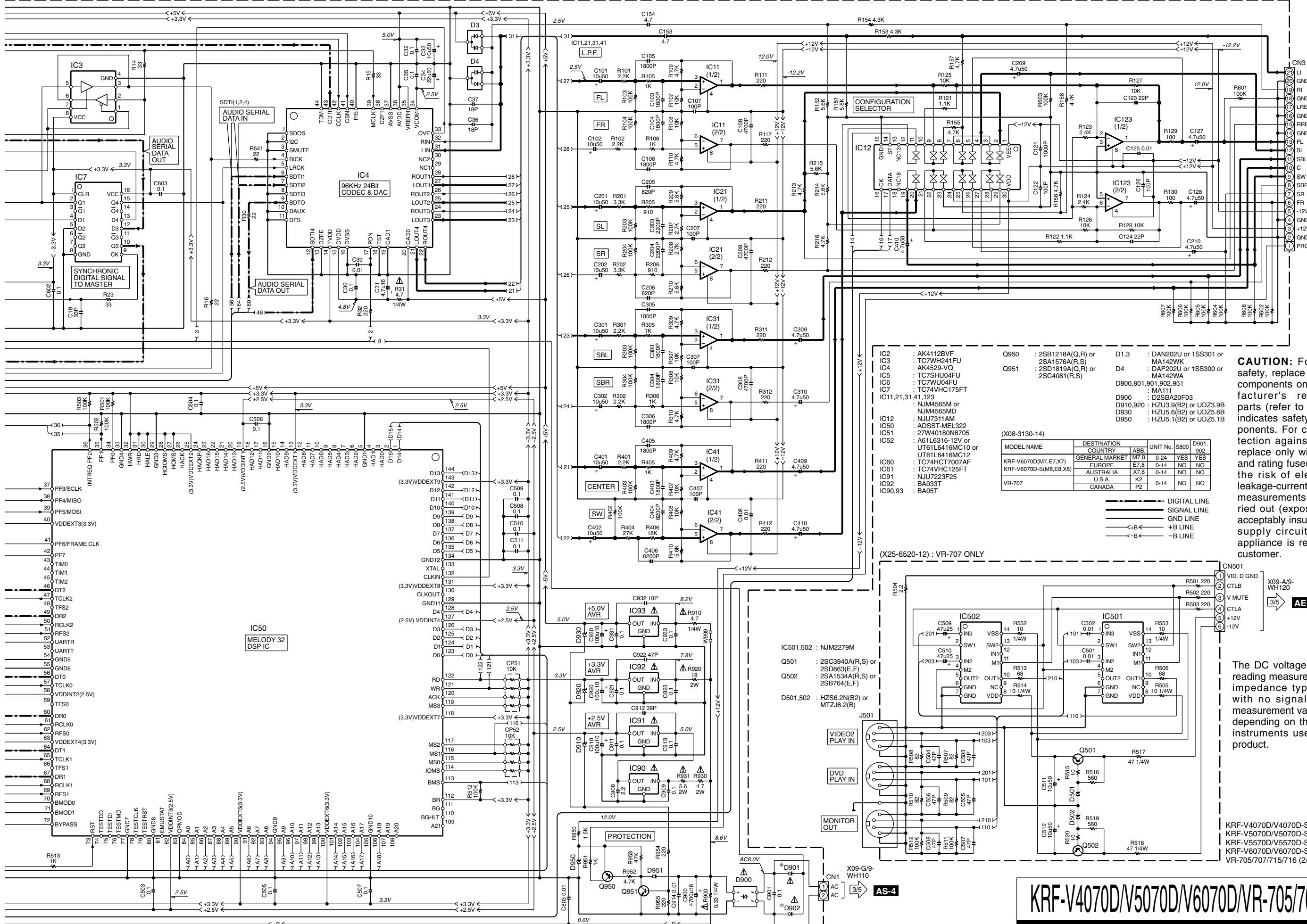
**CAUTION:** For continued safety, replace safety critical components only with manufacturer's recommended parts (refer to parts list).  $\Delta$  indicates safety critical components. For continued protection against risk of fire, replace only with same type and rating fuse(s). To reduce the risk of electric shock, leakage-current or resistance measurements shall be carried out (exposed parts are acceptably insulated from the supply circuit) before the appliance is returned to the customer.

The DC voltage is an actual reading measured with a high impedance type voltmeter with no signal input. The measurement value may vary depending on the measuring instruments used or on the product.

KRF-V4070D/V5070D/V6070D/VR-705/707/715/716

KENWOOD





IC1 : AK4112BVF  
 IC2 : NJM4558M or NJM4558MD  
 IC3 : TC7WH241FU  
 IC4 : AK4529-VQ  
 IC5 : ADSST-MEL322  
 IC6 : TC7SHU04FU  
 IC7 : TC7VHC125FT  
 IC8 : NJJ7311AM  
 IC9 : D800,801,901,902,951  
 IC10 : MA111  
 IC11 : NJM4558M or NJM4558MD  
 IC12 : NJJ7311AM  
 IC13 : TC7VHC125FT  
 IC14 : NJM4558M or NJM4558MD  
 IC15 : ADSST-MEL322  
 IC16 : NJJ7311AM  
 IC17 : TC7VHC125FT  
 IC18 : NJM4558M or NJM4558MD  
 IC19 : NJJ7311AM  
 IC20 : NJM4558M or NJM4558MD  
 IC21 : NJM4558M or NJM4558MD  
 IC22 : NJM4558M or NJM4558MD  
 IC30 : NJM4558M or NJM4558MD  
 IC31 : NJM4558M or NJM4558MD  
 IC32 : NJM4558M or NJM4558MD  
 IC40 : NJM4558M or NJM4558MD  
 IC41 : NJM4558M or NJM4558MD  
 IC42 : NJM4558M or NJM4558MD  
 IC50 : NJM4558M or NJM4558MD  
 IC51 : NJM4558M or NJM4558MD  
 IC52 : NJM4558M or NJM4558MD  
 IC60 : NJM4558M or NJM4558MD  
 IC61 : NJM4558M or NJM4558MD  
 IC62 : NJM4558M or NJM4558MD  
 IC90 : NJM4558M or NJM4558MD  
 IC91 : NJM4558M or NJM4558MD  
 IC92 : NJM4558M or NJM4558MD  
 IC93 : NJM4558M or NJM4558MD

Q950 : 2SB1218A(Q,R) or 2SA1576A(R,S)  
 Q951 : 2SD1819A(Q,R) or 2SC4081(R,S)

D1,3 : DAN202U or 1SS301 or MA142WK  
 D4 : DAP202U or 1SS300 or MA142WA  
 D800,801,901,902,951 : MA111  
 D900 : D2SBA20F03  
 D910,920 : HZU3.9(B2) or UDZ3.9B  
 D930 : HZU5.6(B2) or UDZ5.6B  
 D950 : HZU5.1(B2) or UDZ5.1B

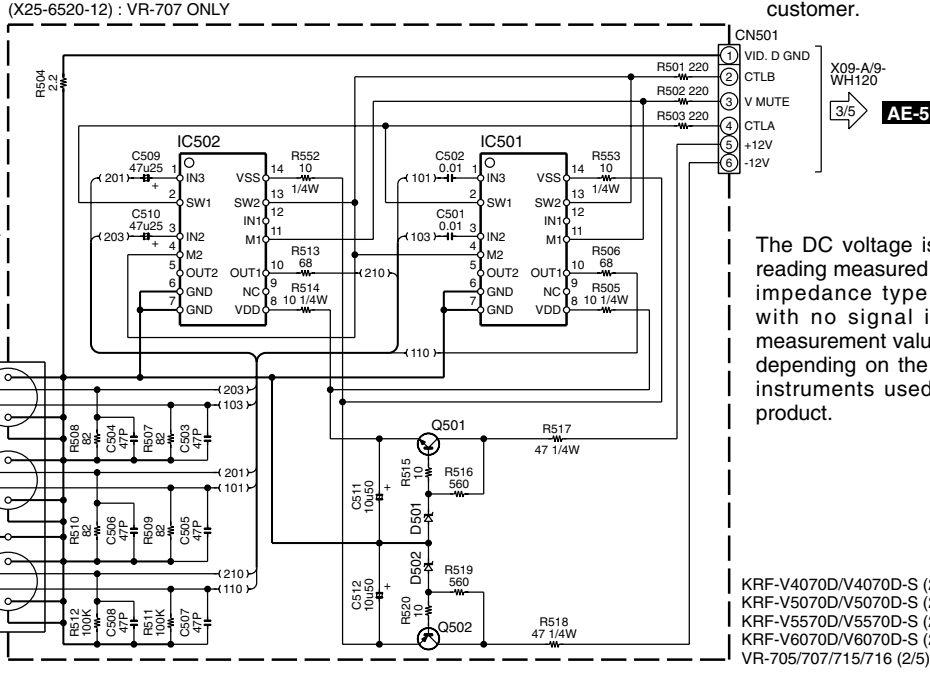
(X08-3130-14)

MODEL NAME	COUNTRY	ABB.	UNIT No.	S800	D901, 902
KRF-V6070D(M7,E7,X7)	GENERAL MARKET	M7,8	0-24	YES	YES
KRF-V6070D-S(M8,E8,X8)	EUROPE	E7,8	0-14	NO	NO
	AUSTRALIA	X7,8	0-14	NO	NO
	U.S.A.	K2	0-14	NO	NO
VR-707	CANADA	P2	0-14	NO	NO

IC12 : NJM4558M or NJM4558MD  
 IC50 : NJJ7311AM  
 IC51 : ADSST-MEL322  
 IC52 : A61L6316-12V or UT61L6416MC10 or UT61L6416MC12  
 IC60 : TC74HC7007AF  
 IC61 : TC74VHC125FT  
 IC91 : NJJ7223F25  
 IC92 : BA033T  
 IC90,93 : BA05T

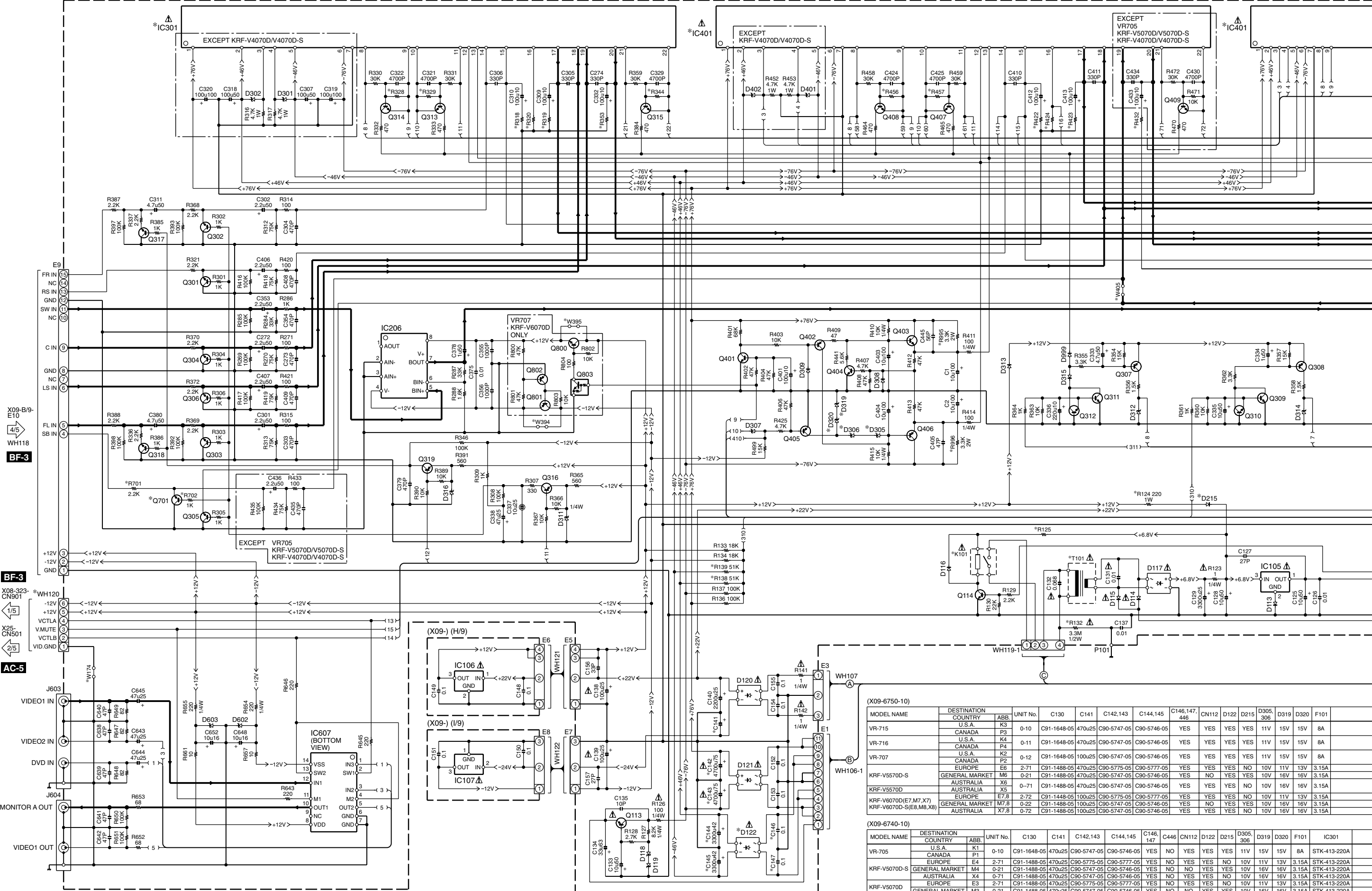
(X25-6520-12) : VR-707 ONLY

**CAUTION:** For continued safety, replace safety critical components only with manufacturer's recommended parts (refer to parts list).  $\Delta$  indicates safety critical components. For continued protection against risk of fire, replace only with same type and rating fuse(s). To reduce the risk of electric shock, leakage-current or resistance measurements shall be carried out (exposed parts are acceptably insulated from the supply circuit) before the appliance is returned to the customer.



The DC voltage is an actual reading measured with a high impedance type voltmeter with no signal input. The measurement value may vary depending on the measuring instruments used or on the product.

- KRF-V4070D/V4070D-S (2/5)
- KRF-V5070D/V5070D-S (2/5)
- KRF-V5570D/V5570D-S (2/5)
- KRF-V6070D/V6070D-S (2/5)
- VR-705/707/715/716 (2/5)



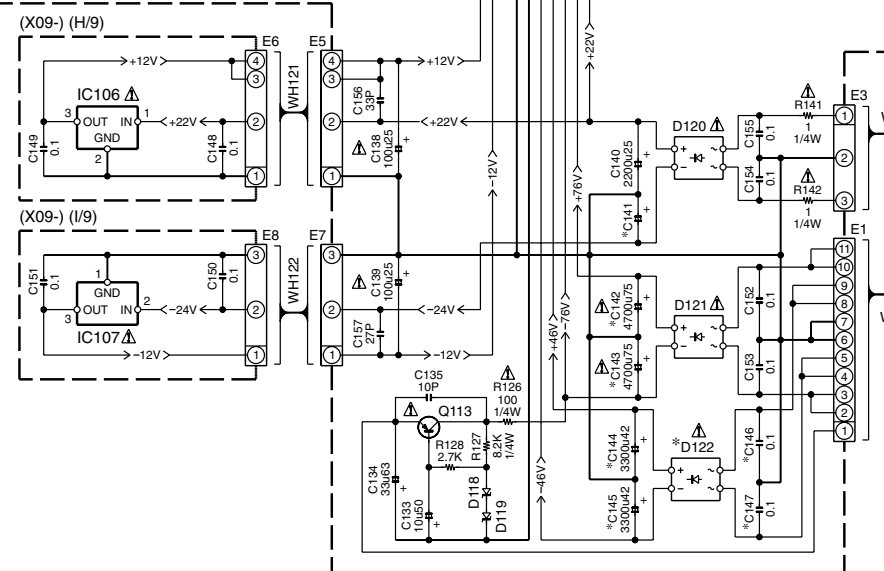
X09-B/9-  
E10  
4/5  
WH118  
BF-3

BF-3

X08-323-  
CN901  
1/5  
VCTLA  
VMUTE  
VCTLB  
VID.GND  
2/5  
AC-5

6

7



(X09-6750-10)

MODEL NAME	DESTINATION COUNTRY	ABB.	UNIT No.	C130	C141	C142,143	C144,145	C146,147,148	CN112	D122	D215	D305,306	D319	D320	F101
VR-715	U.S.A.	K3	0-10	C91-1648-05	470u25	C90-5747-05	C90-5746-05	YES	YES	YES	YES	11V	15V	15V	8A
	CANADA	P3													
VR-716	U.S.A.	K4	0-11	C91-1648-05	470u25	C90-5747-05	C90-5746-05	YES	YES	YES	YES	11V	15V	15V	8A
	CANADA	P4													
VR-707	U.S.A.	K2	0-12	C91-1648-05	100u25	C90-5747-05	C90-5746-05	YES	YES	YES	YES	11V	15V	15V	8A
	CANADA	P2													
KRF-V5570D-S	EUROPE	E6	2-71	C91-1488-05	470u25	C90-5775-05	C90-5777-05	YES	YES	YES	NO	10V	11V	13V	3.15A
	GENERAL MARKET	M6	0-21	C91-1488-05	470u25	C90-5747-05	C90-5746-05	YES	NO	YES	YES	10V	16V	16V	3.15A
KRF-V5570D	AUSTRALIA	X6	0-71	C91-1488-05	470u25	C90-5747-05	C90-5746-05	YES	YES	YES	NO	10V	16V	16V	3.15A
	EUROPE	E7,8	2-72	C91-1448-05	100u25	C90-5775-05	C90-5777-05	YES	YES	YES	NO	10V	11V	13V	3.15A
KRF-V6070D(E7,M7,X7)	EUROPE	E7,8	2-72	C91-1488-05	100u25	C90-5747-05	C90-5746-05	YES	NO	YES	YES	10V	16V	16V	3.15A
	GENERAL MARKET	M7,8	0-22	C91-1488-05	100u25	C90-5747-05	C90-5746-05	YES	NO	YES	YES	10V	16V	16V	3.15A
KRF-V6070D-S(E8,M8,X8)	AUSTRALIA	X6	0-71	C91-1488-05	470u25	C90-5747-05	C90-5746-05	YES	YES	YES	NO	10V	16V	16V	3.15A
	EUROPE	E7,8	2-72	C91-1488-05	100u25	C90-5747-05	C90-5746-05	YES	YES	YES	NO	10V	16V	16V	3.15A

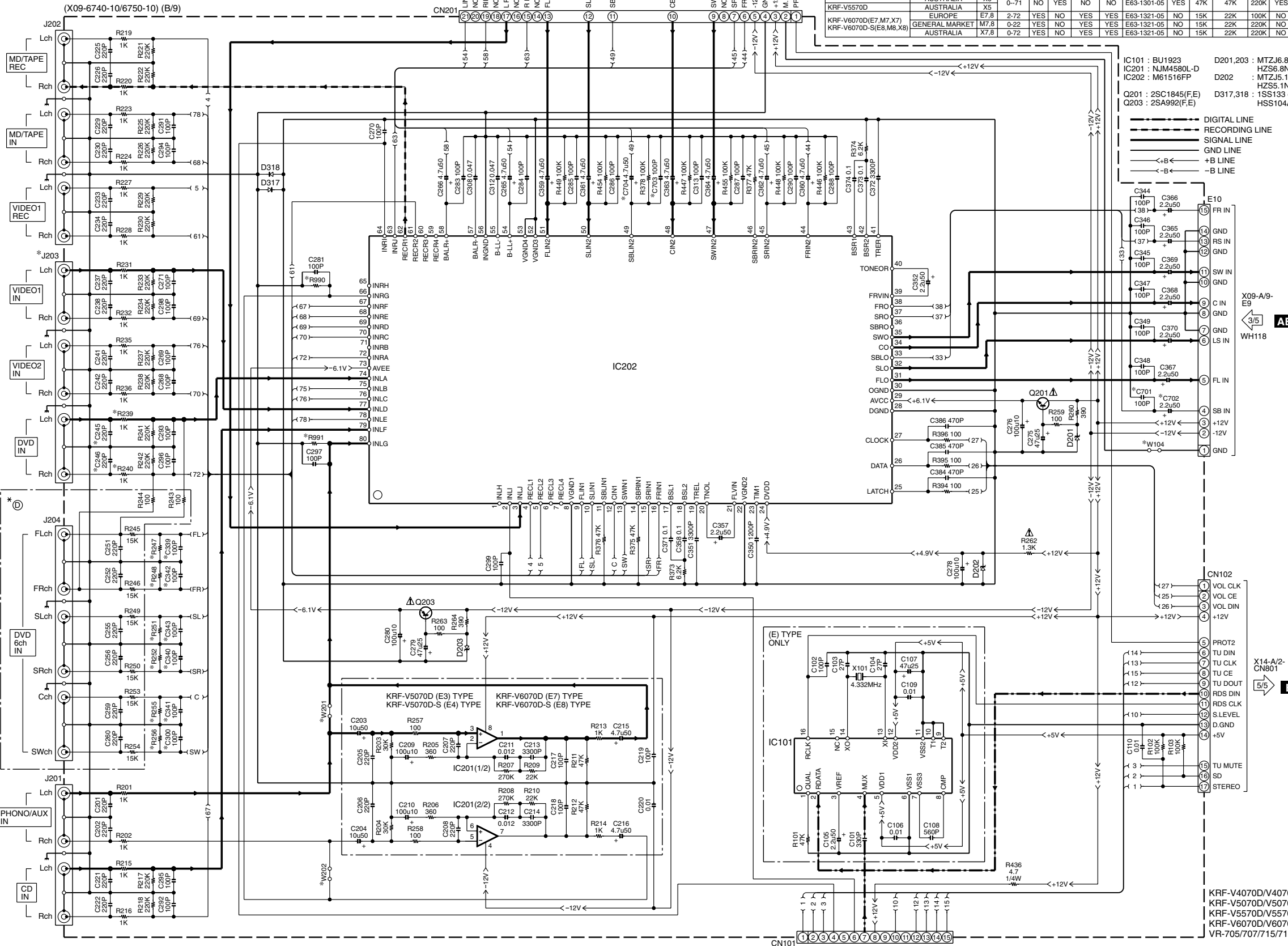
(X09-6740-10)

MODEL NAME	DESTINATION COUNTRY	ABB.	UNIT No.	C130	C141	C142,143	C144,145	C146,147	C446	CN112	D122	D215	D305,306	D319	D320	F101	IC301
VR-705	U.S.A.	K1	0-10	C91-1648-05	470u25	C90-5747-05	C90-5746-05	YES	NO	YES	YES	YES	11V	15V	15V	8A	STK-413-220A
	CANADA	P1															
KRF-V5070D-S	EUROPE	E4	2-71	C91-1488-05	470u25	C90-5775-05	C90-5777-05	YES	NO	YES	YES	NO	10V	11V	13V	3.15A	STK-413-220A
	GENERAL MARKET	M4	0-21	C91-1488-05	470u25	C90-5747-05	C90-5746-05	YES	NO	YES	YES	YES	10V	16V	16V	3.15A	STK-413-220A
KRF-V5070D	AUSTRALIA	X4	0-71	C91-1488-05	470u25	C90-5747-05	C90-5746-05	YES	NO	YES	YES	NO	10V	16V	16V	3.15A	STK-413-220A
	EUROPE	E3	2-71	C91-1488-05	470u25	C90-5775-05	C90-5777-05	YES	NO	YES	YES	NO	10V	11V	13V	3.15A	STK-413-220A
KRF-V4070D	EUROPE	E1	2-72	C91-1488-05	470u25	C90-5775-05	C90-5777-05	YES	NO	YES	YES	YES	10V	11V	13V	3.15A	STK-413-220A
	EUROPE	E2	2-72	C91-1488-05	470u25	C90-5775-05	C90-5777-05	YES	NO	YES	YES	YES	10V	11V	13V	3.15A	STK-413-220A
KRF-V4070D-S	EUROPE	E2	2-72	C91-1488-05	470u25	C90-5775-05	C90-5777-05	YES	NO	YES	YES	YES	10V	11V	13V	3.15A	STK-413-220A
	AUSTRALIA	X1	0-72	C91-1488-05	470u25	C90-5775-05	C90-5777-05	NO	NO	NO	NO	NO	10V	NO	NO	2.5A	STK-443-070

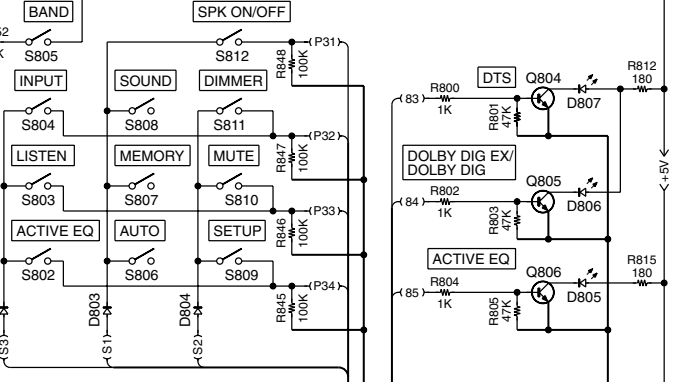
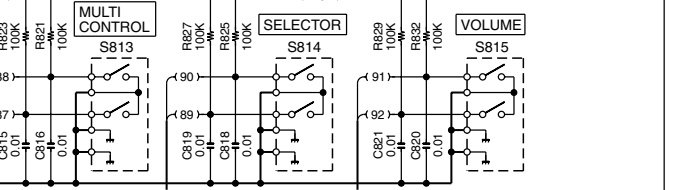
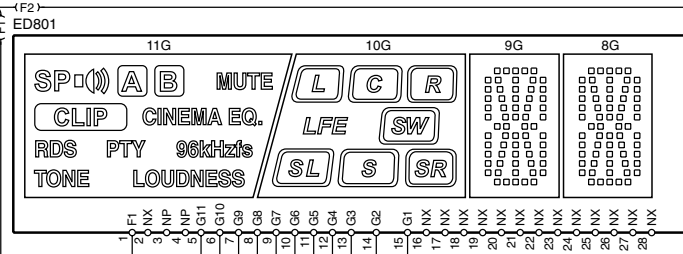
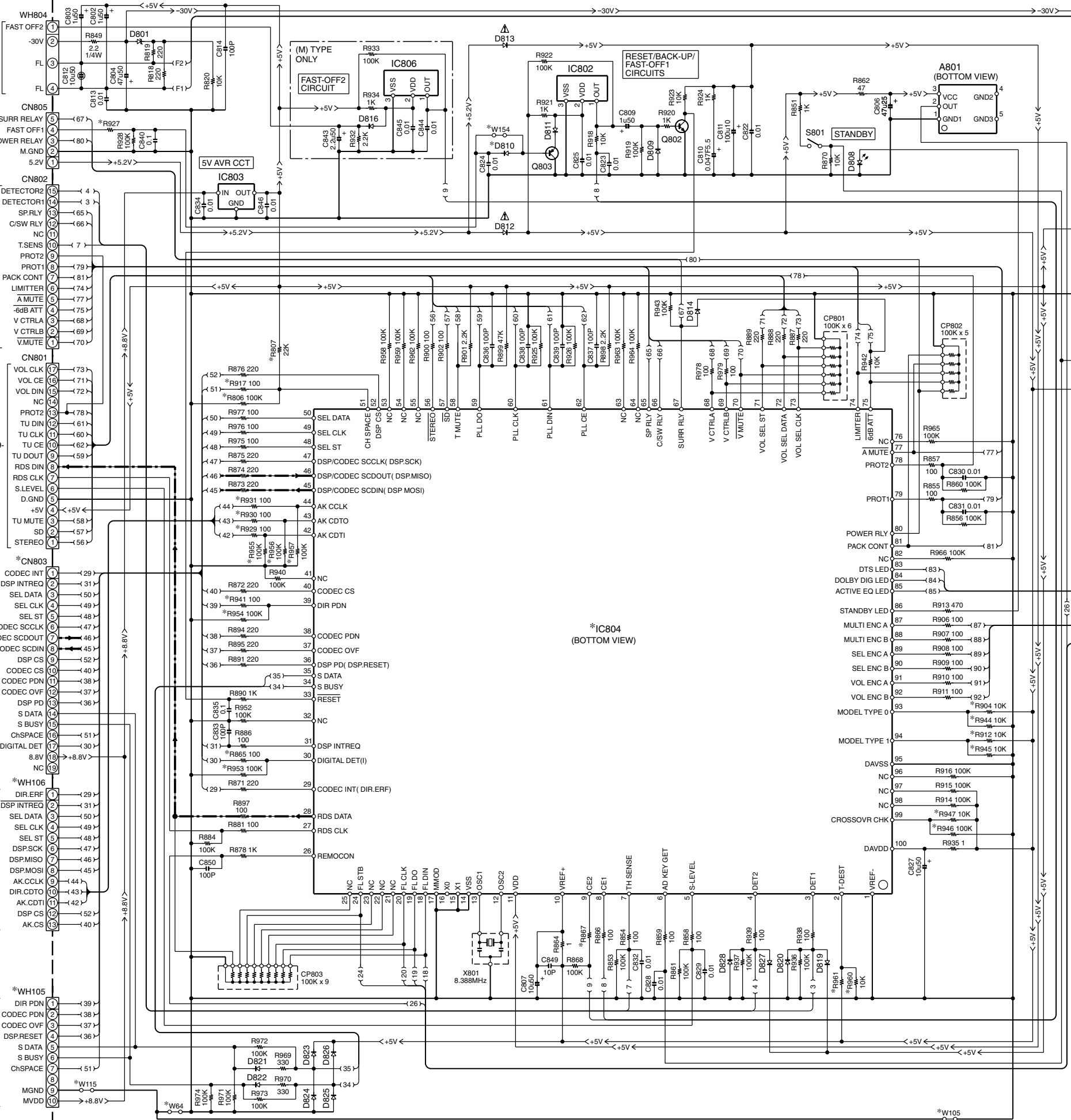


(X09-6740-10)													
MODEL NAME	DESTINATION COUNTRY	ABB.	UNIT No.	Ⓧ	C245, 246	C300, 339-343	C701-704	J203	R239, 240	R247, 248	R251,252, 255,256	R990, 991	W104
VR-705	U.S.A.	K1	0-10	NO	YES	NO	NO	E63-1301-05	YES	47K	47K	220K	YES
	CANADA	P1											
KRF-V5070D-S	EUROPE	E4	2-71	YES	NO	YES	NO	E63-1321-05	NO	15K	22K	100K	YES
	GENERAL MARKET	M4											
	AUSTRALIA	X4											
KRF-V5070D	EUROPE	E3	2-71	YES	NO	YES	NO	E63-1321-05	NO	15K	22K	100K	YES
	GENERAL MARKET	M3											
	AUSTRALIA	X3											
KRF-V4070D	EUROPE	E1	2-72	NO	YES	NO	NO	E63-1301-05	YES	47K	47K	220K	YES
KRF-V4070D-S	AUSTRALIA	X2	0-72	NO	YES	NO	NO	E63-1301-05	YES	47K	47K	220K	YES

(X09-6750-10)													
MODEL NAME	DESTINATION COUNTRY	ABB.	UNIT No.	Ⓧ	C245, 246	C300, 339-343	C701-704	J203	R239, 240	R247, 248	R251,252, 255,256	R990, 991	W104
VR-715	U.S.A.	K3	0-10	YES	NO	YES	NO	E63-1321-05	NO	15K	22K	220K	YES
	CANADA	P3											
VR-716	U.S.A.	K4	0-11	YES	NO	YES	NO	E63-1321-05	NO	15K	22K	220K	YES
	CANADA	P4											
VR-707	U.S.A.	K2	0-12	YES	NO	YES	YES	E63-1321-05	NO	15K	22K	220K	NO
	EUROPE	E6											
	GENERAL MARKET	M6											
KRF-V5570D-S	EUROPE	E6	2-71	NO	YES	NO	NO	E63-1301-05	YES	47K	47K	220K	YES
	GENERAL MARKET	M6											
	AUSTRALIA	X6											
KRF-V5570D	EUROPE	E7.8	2-72	YES	NO	YES	YES	E63-1321-05	NO	15K	22K	100K	NO
	AUSTRALIA	X5											
	GENERAL MARKET	M7.8											
KRF-V6070D(E7,M7,X7)	EUROPE	E7.8	0-22	YES	NO	YES	YES	E63-1321-05	NO	15K	22K	220K	NO
	GENERAL MARKET	M7.8											
	AUSTRALIA	X7.8											







(X14-7650-10)

MODEL NAME	DESTINATION COUNTRY	ABB.	UNIT No.	(A)	CN803	D810	IC804	R806	R807, 917	R865, 954-957	R867
KRF-V4070D	EUROPE	E1	2-73	NO	YES	NO	MN101C49KLE	YES	NO	YES	100
KRF-V4070D-S	AUSTRALIA	X2	0-73	NO	YES	NO	MN101C49KLE	YES	NO	YES	100
KRF-V5570D	AUSTRALIA	X5	0-72	NO	YES	NO	MN101C49KLE	YES	NO	YES	100
KRF-V5570D-S	GENERAL MARKET	M6	0-22	YES	YES	YES	MN101C49KLE	NO	YES	YES	100K
KRF-V5070D	EUROPE	E6	2-72	NO	YES	NO	MN101C49KLE	YES	NO	YES	100
KRF-V5070D-S	GENERAL MARKET	M3	0-21	YES	YES	YES	MN101C49KLE	NO	YES	YES	100K
KRF-V5070D-S	EUROPE	E3	2-71	NO	YES	NO	MN101C49KLE	YES	NO	YES	100
KRF-V5070D-S	GENERAL MARKET	M4	0-21	YES	YES	YES	MN101C49KLE	NO	YES	YES	100K
VR-705	U.S.A.	K1	0-10	NO	YES	YES	MN101C49KLE	YES	NO	YES	100
VR-715	U.S.A.	K3	0-11	NO	YES	YES	MN101C49KLE	YES	NO	YES	100

(X14-7660-10)

MODEL NAME	DESTINATION COUNTRY	ABB.	UNIT No.	(A)	CN803	D810	IC804	R806	R807, 917
KRF-V6070D(M7,E7,X7)	GENERAL MARKET	M7,8	0-21	YES	NO	YES	MN101C49GGR	NO	YES
KRF-V6070D-S(M8,E8,X8)	EUROPE	E7,8	2-71	NO	NO	NO	MN101C49GGR	YES	NO
VR-707	U.S.A.	K2	0-10	NO	NO	NO	MN101C49GGR	YES	NO
VR-716	U.S.A.	K4	0-11	NO	YES	YES	MN101C49KLE	YES	NO

IC801 : MN12510F  
 IC802, 806 : S-80840CNY  
 IC803 : XC6202P502TH  
 IC804 : \*

D801 : MTZJ6.2(B) or RD6.2ES(B)  
 D802-804, 809-811, 814, 816, 819-828 : 1SS133 or HSS104A  
 D805-808 : B30-2545-05  
 D812, 813 : RB441Q-40

Q802, 804-807 : 2SC1740S(Q,R) or 2SC2785(F,E)  
 Q803 : 2SA933AS(Q,R) or 2SA1175(F,E)

KRF-V4070D/V4070D-S (5/5)  
 KRF-V5070D/V5070D-S (5/5)  
 KRF-V5570D/V5570D-S (5/5)  
 KRF-V6070D/V6070D-S (5/5)  
 VR-705/707/715/716 (5/5)

1  
2  
3  
4  
5  
6  
7

AS-4  
 AP-5  
 AC-5  
 BF-5  
 L-5  
 P-5  
 P-4

WH804  
 CN805  
 CN802  
 CN801  
 CN803  
 WH106  
 WH105  
 WH105

FAST OFF2  
 SURR RELAY  
 POWER RELAY  
 DETECTOR2  
 DETECTOR1  
 SP.RLY  
 C/SW RLY  
 NC  
 T.SENS  
 PROT2  
 PROT1  
 PACK CONT  
 LIMITTER  
 A MUTE  
 -6dB ATT  
 V CTRLA  
 V CTRLB  
 VMUTE  
 VOL CLK  
 VOL CE  
 VOL DIN  
 NC  
 PROT2  
 TU DIN  
 TU CLK  
 TU CE  
 TU DOUT  
 RDS DIN  
 RDS CLK  
 S.LEVEL  
 D.GND  
 +5V  
 TU MUTE  
 SD  
 STEREO  
 CODEC INT  
 DSP INTREQ  
 SEL DATA  
 SEL CLK  
 SEL ST  
 DSP/CODEC SCCLK  
 DSP/CODEC SCOUT  
 DSP/CODEC SCIN  
 DSP CS  
 CODEC CS  
 CODEC PDN  
 CODEC OVF  
 DSP PD  
 S DATA  
 S BUSY  
 ChSPACE  
 DIGITAL DET  
 8.8V  
 NC  
 DIR.ERF  
 DSP INTREQ  
 SEL DATA  
 SEL CLK  
 SEL ST  
 DSP.SCK  
 DSP.MISO  
 DSP.MOSI  
 AK.CCLK  
 DIR.CDIO  
 AK.CDIO  
 DSP CS  
 AK.CS

IC803  
 IC802  
 IC804 (BOTTOM VIEW)  
 IC801

FAST-OFF2 CIRCUIT  
 (M) TYPE ONLY  
 RESET/BACK-UP/FAST-OFF1 CIRCUITS  
 STANDBY  
 MULTI CONTROL  
 SELECTOR  
 VOLUME  
 BAND  
 SPK ON/OFF  
 INPUT  
 SOUND  
 DIMMER  
 LISTEN  
 MEMORY  
 MUTE  
 ACTIVE EQ  
 AUTO  
 SETUP  
 DTS  
 DOLBY DIG EX/DOLBY DIG  
 ACTIVE EQ

SEL DATA  
 CH SPACE  
 DSP CS  
 NC  
 NC  
 NC  
 STEREO  
 SD  
 T MUTE  
 PLL DO  
 PLL CLK  
 PLL DIN  
 PLL CE  
 NC  
 NC  
 NC  
 SP RLY  
 SURR RLY  
 V CTRLA  
 V CTRLB  
 VMUTE  
 VOL SEL ST  
 VOL SEL DATA  
 VOL SEL CLK  
 LIMITER  
 A MUTE  
 PROT2  
 PROT1  
 POWER RLY  
 PACK CONT  
 NC  
 DTS LED  
 DOLBY DIG LED  
 ACTIVE EQ LED  
 STANDBY LED  
 MULTI ENC A  
 MULTI ENC B  
 SEL ENC A  
 SEL ENC B  
 VOL ENC A  
 VOL ENC B  
 MODEL TYPE 0  
 MODEL TYPE 1  
 DAVSS  
 NC  
 NC  
 NC  
 CROSSOVR CHK  
 DAVDD

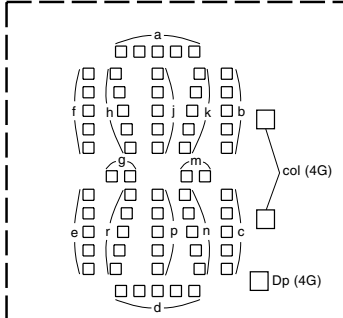
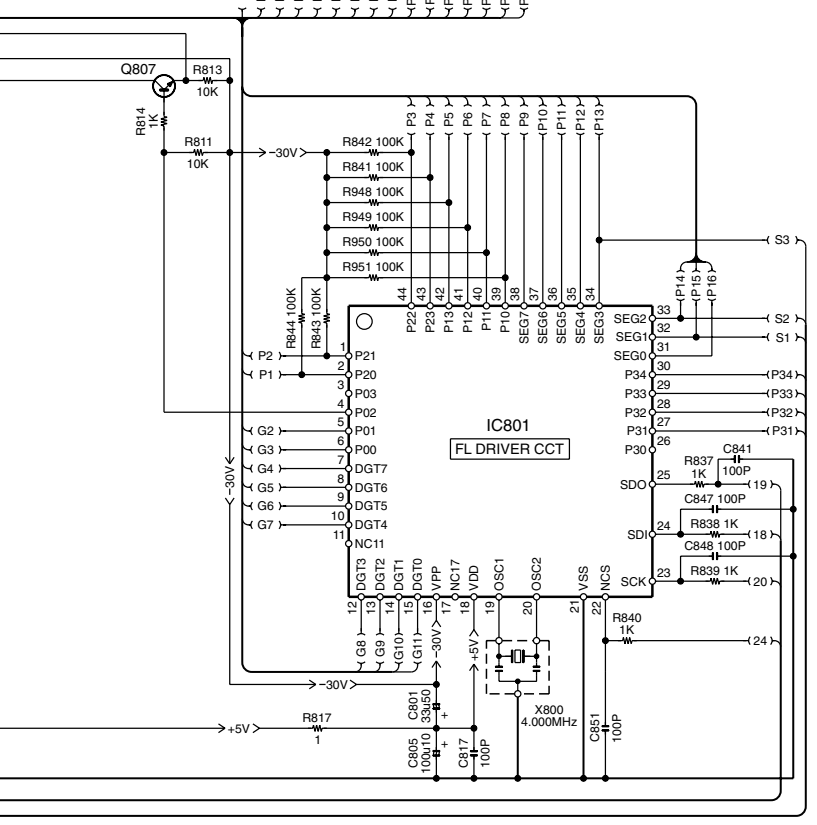
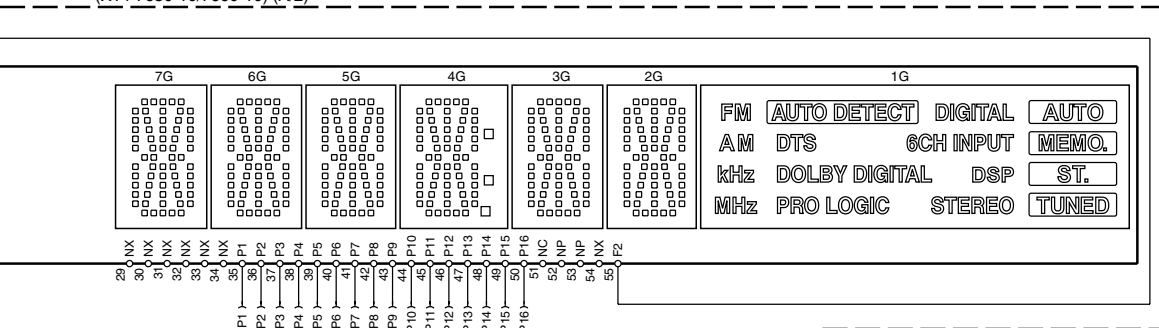
IC803  
 IC802  
 IC804 (BOTTOM VIEW)  
 IC801

SEL DATA  
 CH SPACE  
 DSP CS  
 NC  
 NC  
 NC  
 STEREO  
 SD  
 T MUTE  
 PLL DO  
 PLL CLK  
 PLL DIN  
 PLL CE  
 NC  
 NC  
 NC  
 SP RLY  
 SURR RLY  
 V CTRLA  
 V CTRLB  
 VMUTE  
 VOL SEL ST  
 VOL SEL DATA  
 VOL SEL CLK  
 LIMITER  
 A MUTE  
 PROT2  
 PROT1  
 POWER RLY  
 PACK CONT  
 NC  
 DTS LED  
 DOLBY DIG LED  
 ACTIVE EQ LED  
 STANDBY LED  
 MULTI ENC A  
 MULTI ENC B  
 SEL ENC A  
 SEL ENC B  
 VOL ENC A  
 VOL ENC B  
 MODEL TYPE 0  
 MODEL TYPE 1  
 DAVSS  
 NC  
 NC  
 NC  
 CROSSOVR CHK  
 DAVDD

SEL DATA  
 CH SPACE  
 DSP CS  
 NC  
 NC  
 NC  
 STEREO  
 SD  
 T MUTE  
 PLL DO  
 PLL CLK  
 PLL DIN  
 PLL CE  
 NC  
 NC  
 NC  
 SP RLY  
 SURR RLY  
 V CTRLA  
 V CTRLB  
 VMUTE  
 VOL SEL ST  
 VOL SEL DATA  
 VOL SEL CLK  
 LIMITER  
 A MUTE  
 PROT2  
 PROT1  
 POWER RLY  
 PACK CONT  
 NC  
 DTS LED  
 DOLBY DIG LED  
 ACTIVE EQ LED  
 STANDBY LED  
 MULTI ENC A  
 MULTI ENC B  
 SEL ENC A  
 SEL ENC B  
 VOL ENC A  
 VOL ENC B  
 MODEL TYPE 0  
 MODEL TYPE 1  
 DAVSS  
 NC  
 NC  
 NC  
 CROSSOVR CHK  
 DAVDD

SEL DATA  
 CH SPACE  
 DSP CS  
 NC  
 NC  
 NC  
 STEREO  
 SD  
 T MUTE  
 PLL DO  
 PLL CLK  
 PLL DIN  
 PLL CE  
 NC  
 NC  
 NC  
 SP RLY  
 SURR RLY  
 V CTRLA  
 V CTRLB  
 VMUTE  
 VOL SEL ST  
 VOL SEL DATA  
 VOL SEL CLK  
 LIMITER  
 A MUTE  
 PROT2  
 PROT1  
 POWER RLY  
 PACK CONT  
 NC  
 DTS LED  
 DOLBY DIG LED  
 ACTIVE EQ LED  
 STANDBY LED  
 MULTI ENC A  
 MULTI ENC B  
 SEL ENC A  
 SEL ENC B  
 VOL ENC A  
 VOL ENC B  
 MODEL TYPE 0  
 MODEL TYPE 1  
 DAVSS  
 NC  
 NC  
 NC  
 CROSSOVR CHK  
 DAVDD

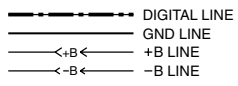
(X14-7650-10/7660-10) (A/2)



	11G	10G	9G	8G	7G	6G	5G	4G	3G	2G	1G
P1	SP1	L	a	a	a	a	a	a	a	a	FM
P2	A	C	j	j	j	j	j	j	j	j	AM
P3	B	R	h	h	h	h	h	h	h	h	MHz
P4	MUTE	SL	k	k	k	k	k	k	k	k	kHz
P5	CLIP	S	b	b	b	b	b	b	b	b	AUTO
P6	CINEMA EQ.	SR	f	f	f	f	f	f	f	f	MEMO.
P7	-	LFE	g	g	g	g	g	g	g	g	ST.
P8	-	SW	m	m	m	m	m	m	m	m	TUNED
P9	RDS	(L)	c	c	c	c	c	c	c	c	AUTO DETECT
P10	PTY	(C)	e	e	e	e	e	e	e	e	DTS
P11	96kHz	(R)	r	r	r	r	r	r	r	r	DOLBY DIGITAL
P12	TOPE	(SL)	n	n	n	n	n	n	n	n	PRO LOGIC
P13	LOUDNESS	(S)	p	p	p	p	p	p	p	p	DIGITAL
P14	-	(SR)	d	d	d	d	d	d	d	d	6CH INPUT
P15	-	(SW)	-	-	-	-	-	-	-	-	DSP
P16	-	-	-	-	-	-	-	-	-	-	STEREO

R904	R912	R927	R929-931, 941, 953	R944	R945	R946	R947	R960	R961	W64	W105, 115	W154	WH105, 106
YES	NO	150K	NO	NO	YES	YES	NO	NO	10K	YES	NO	YES	NO
YES	NO	160K	NO	NO	YES	YES	NO	YES	30K	YES	NO	YES	NO
NO	NO	160K	NO	YES	YES	YES	NO	YES	30K	YES	NO	YES	NO
NO	NO	62K	NO	YES	YES	YES	NO	YES	10K	YES	NO	NO	NO
NO	NO	150K	NO	YES	YES	YES	NO	NO	10K	YES	NO	YES	NO
YES	YES	62K	NO	NO	NO	YES	NO	YES	10K	YES	NO	NO	NO
YES	YES	150K	NO	NO	NO	YES	NO	NO	10K	YES	NO	YES	NO
YES	YES	62K	NO	NO	NO	YES	NO	YES	10K	YES	NO	NO	NO
YES	YES	150K	NO	NO	NO	YES	NO	NO	10K	YES	NO	YES	NO
YES	YES	160K	NO	NO	NO	YES	NO	YES	30K	YES	NO	YES	NO
YES	YES	56K	NO	NO	NO	YES	NO	YES	NO	YES	NO	NO	NO
NO	NO	56K	NO	YES	YES	NO	YES	YES	NO	YES	NO	NO	NO

R865, 954-957	R867	R904	R912	R927	R929-931, 941, 953	R944	R945	R946	R947	R960	R961	W64	W105, 115	W154	WH105, 106
NO	100K	NO	NO	62K	YES	YES	YES	YES	NO	YES	10K	NO	YES	NO	YES
NO	100	NO	NO	150K	YES	YES	YES	YES	NO	NO	10K	NO	YES	YES	YES
NO	100	NO	NO	160K	YES	YES	YES	YES	NO	YES	30K	NO	YES	YES	YES
NO	100	NO	NO	56K	YES	YES	YES	NO	YES	YES	NO	NO	YES	NO	YES
YES	100	NO	YES	56K	NO	YES	NO	NO	YES	YES	NO	NO	YES	NO	NO



**CAUTION:** For continued safety, replace safety critical components only with manufacturer's recommended parts (refer to parts list).  $\Delta$  indicates safety critical components. For continued protection against risk of fire, replace only with same type and rating fuse(s). To reduce the risk of electric shock, leakage-current or resistance measurements shall be carried out (exposed parts are acceptably insulated from the supply circuit) before the appliance is returned to the customer.

The DC voltage is an actual reading measured with a high impedance type voltmeter with no signal input. The measurement value may vary depending on the measuring instruments used or on the product.

KRF-V4070D/V5070D/V6070D/VR-705/707/715/716

Y05-4640-70

KENWOOD