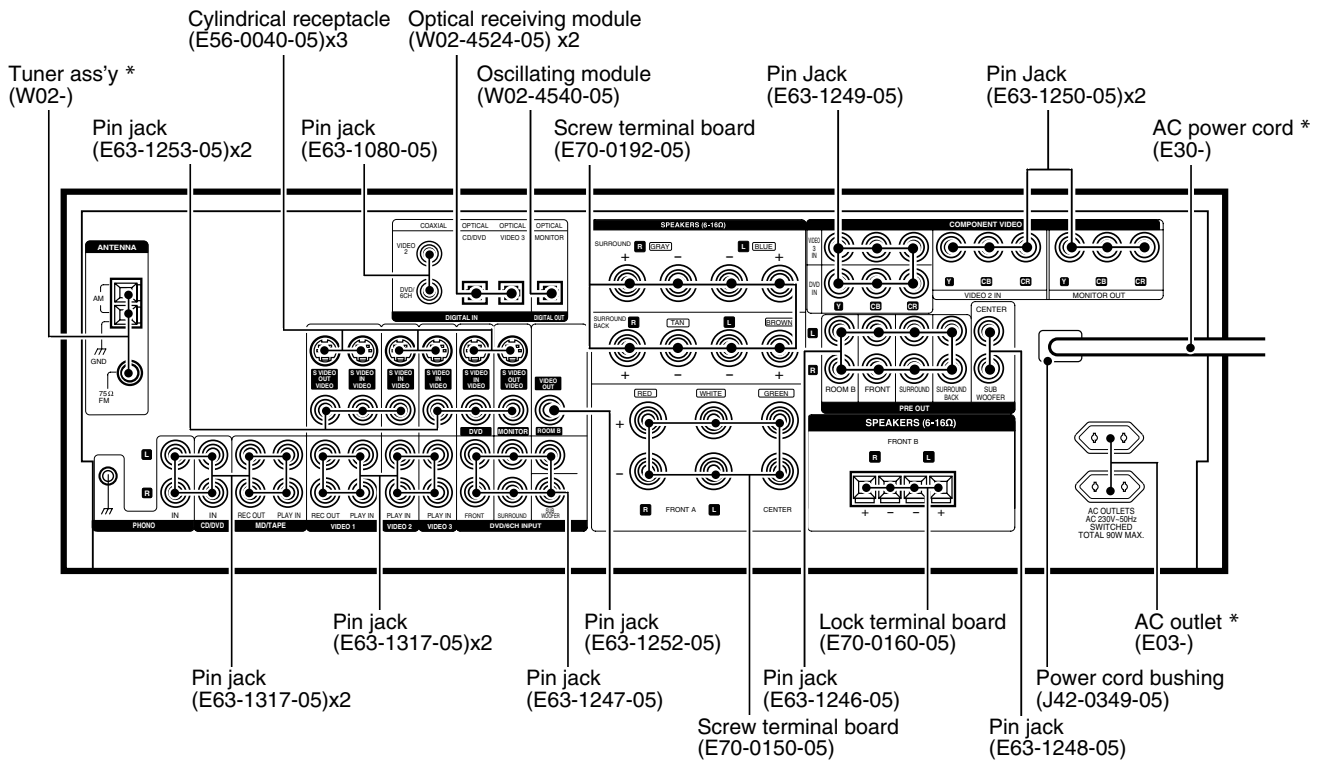
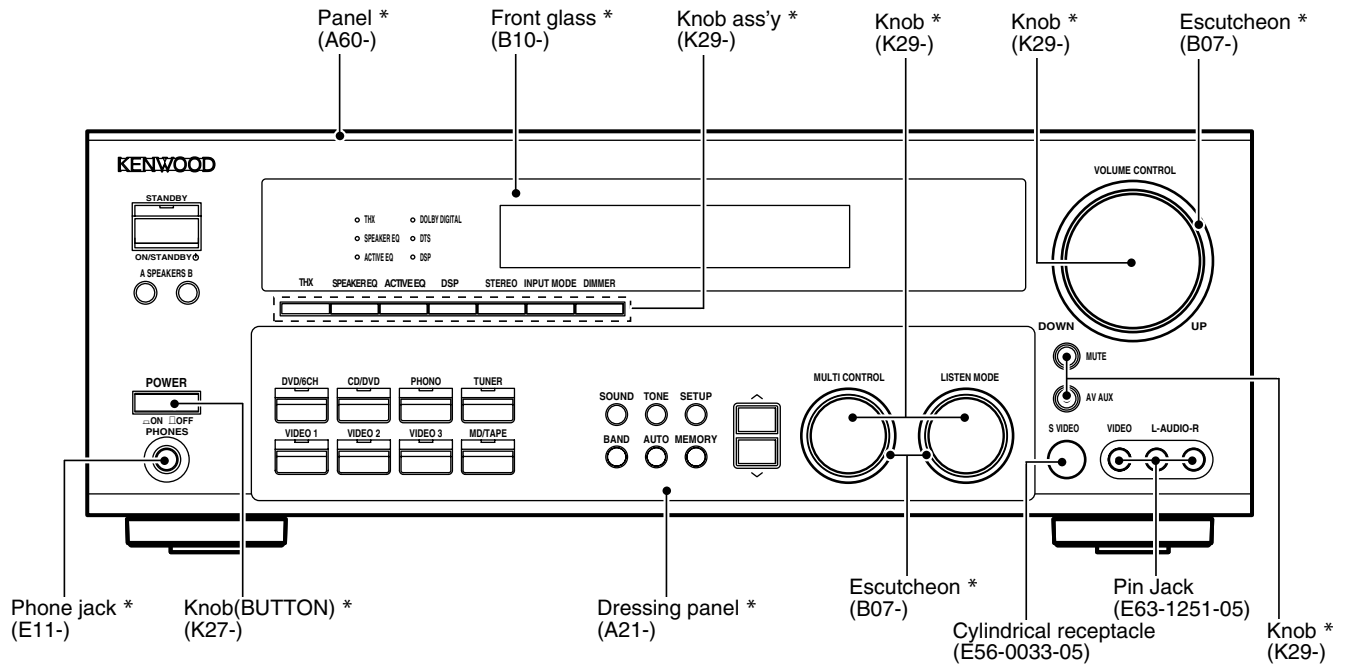


KRF-X9080D/X9080D-S VR-8070/8070-S/8060-S SERVICE MANUAL



Illust. is KRF-X9080D.

* Refer to parts list on page 44.



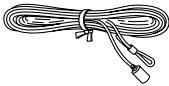
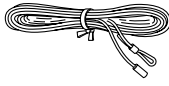
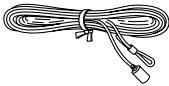
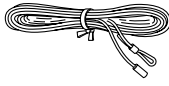
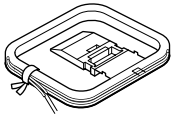
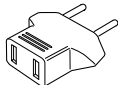
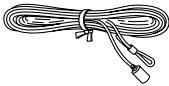
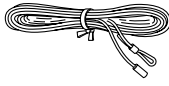
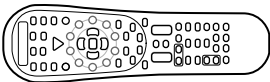
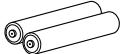
KRF-X9080D/VR-8070/8060

CONTENTS / ACCESSORIES / CAUTIONS

CONTENTS

CONTENTS / ACCESSORIES / CAUTIONS.....	2	SCHEMATIC DIAGRAM	21
EXTERNAL VIEW	3	EXPLODED VIEW	42
ADJUSTMENT	4	PARTS LIST.....	44
INTERCONNECTION DIAGRAM	5	SPECIFICATIONS	59
PC BOARD	7		

ACCESSORIES

<p>FM indoor antenna (1)</p> <table border="0"> <tr> <td style="text-align: center;"> <p>U.S.A. and Canada (T90-0905-05)</p>  </td> <td style="text-align: center;"> <p>Other countries (T90-0877-05)</p>  </td> </tr> </table>	<p>U.S.A. and Canada (T90-0905-05)</p> 	<p>Other countries (T90-0877-05)</p> 	<p>AM loop antenna (1) (T90-0852-05)</p> 	<p>AC plug adapter (1) (E03-0508-00)</p>  <p>Use to adapt the plug on the power cord to the shape of the wall outlet. (Accessory only for regions where use is necessary.)</p>
<p>U.S.A. and Canada (T90-0905-05)</p> 	<p>Other countries (T90-0877-05)</p> 			
<p>Remote control unit (1) (See the below table)</p> 	<p>Batteries (R6/AA) (2)</p> 			

REMOTE CONTROL vs MODEL

MODEL	PARTS #	REMOTE CONTROL #	DESTINATION
VR-8070	A70-1659-05	RC-R0827	K1P1
VR-8070-S			K2P2
KRF-X9080D	A70-1620-05	RC-R0820	Y1
KRF-X9080D-S			X1
KRF-X9080D	A70-1621-05	RC-R0821	E1
KRF-X9080D-S			E2
VR-8060-S	A70-1622-05	RC-R0822	K3P3


CAUTIONS

Resetting the Microcomputer

The microcomputer may malfunction (unit cannot be operated, or shows an erroneous display) if the power cord is unplugged while the power is ON, or due to some other external factor. If this happens, execute the following procedure to reset the microcomputer and return the unit to its normal operating condition.

- Please note that resetting the microcomputer will clear the contents of the memory and return the unit to the state it was in when it left the factory.

For the U.S.A. and Canada

Unplug the power cord from the wall outlet, then plug it back in while holding down the POWER ON/STANDBY  key.

For other countries

With the power cord plugged in, turn the POWER ON/OFF key OFF. Then, while holding down the ON/STANDBY  key, press POWER ON/OFF key.

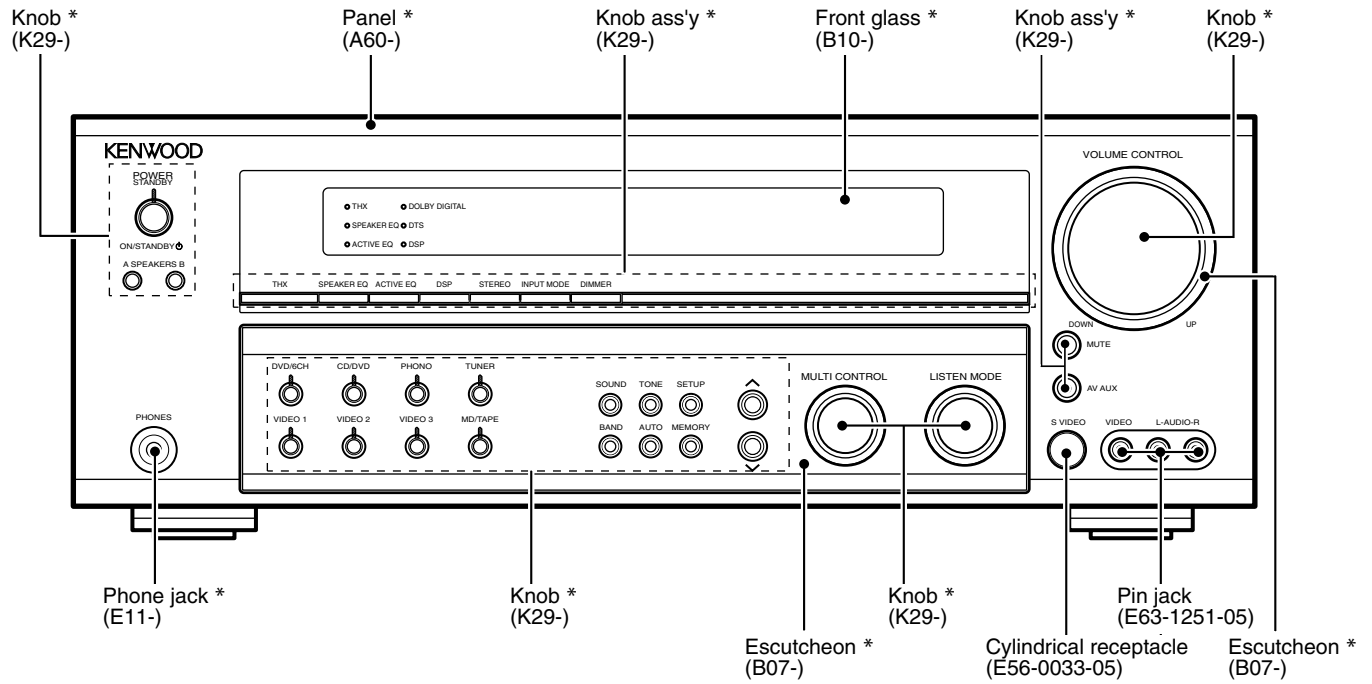
Memory back up function

Please note that the following items will be deleted from the unit's memory if the power cord is disconnected from the AC outlet for approximately 1 day.

- | | |
|-----------------------------|-----------------------|
| • Power mode | • Speaker settings |
| • Input selector settings | • Distance setting |
| • Picture output | • Input mode setting |
| • Speaker ON/OFF | • Sound mode settings |
| • Volume level | • Broadcast band |
| • BASS, TREBLE, INPUT level | • Frequency setting |
| • TONE ON/OFF | • Preset stations |
| • LOUDNESS ON/OFF | • Tuning mode |
| • Dimmer level | • ACTIVE EQ mode |
| • MD/TAPE settings | • SPEAKER EQ mode |
| • Listen mode setting | |

KRF-X9080D/VR-8070/8060

EXTERNAL VIEW



Illust. is VR-8070.

* Refer to parts list on page 44.

KRF-X9080D/VR-8070/8060

ADJUSTMENT

KRF-X9080D/X9080D-S, VR-8070/8070-S

No.	ITEM	INPUT SETTINGS	OUTPUT SETTINGS	RECEIVER SETTINGS	ALIGNMENT SETTINGS	ALIGNMENT POINTS	FIG.
AUDIO SECTION		SPEAKER : A					
<1>	IDLE CURRENT	-	CN11, FL ch. CN10, FR ch. CN14, SL ch. CN13, SR ch. CN12, C ch. CN15, SBL ch. X09(A/4) CN706, SBR ch. X13(F/6)	(FRONT 2ch MODE) Volume: Minimum	VR1(FL) VR2(FR) VR3(SL) VR4(SR) VR5(CENTER) VR6(SBL) X09(A/4) VR702(SBR) X13(F/6)	Adjust every potentiometer 10 minutes later after turned the power on.	

VR-8060-S

No.	ITEM	INPUT SETTINGS	OUTPUT SETTINGS	RECEIVER SETTINGS	ALIGNMENT POINTS	ALIGN FOR	FIG.
AUDIO SECTION		SPEAKER : A					
<1>	IDLE CURRENT	-	CN11, FL ch. CN10, FR ch. CN14, SL ch. CN13, SR ch. CN12, C ch. CN15, SW ch. X09(A/5)	(FRONT 2ch MODE) Volume: Minimum	VR1(FL) VR2(FR) VR3(SL) VR4(SR) VR5(CENTER) VR6(SUB WOOFER) X09(A/5)	Adjust every potentiometer 10 minutes later after turned the power on.	

Idling Current Adjustment

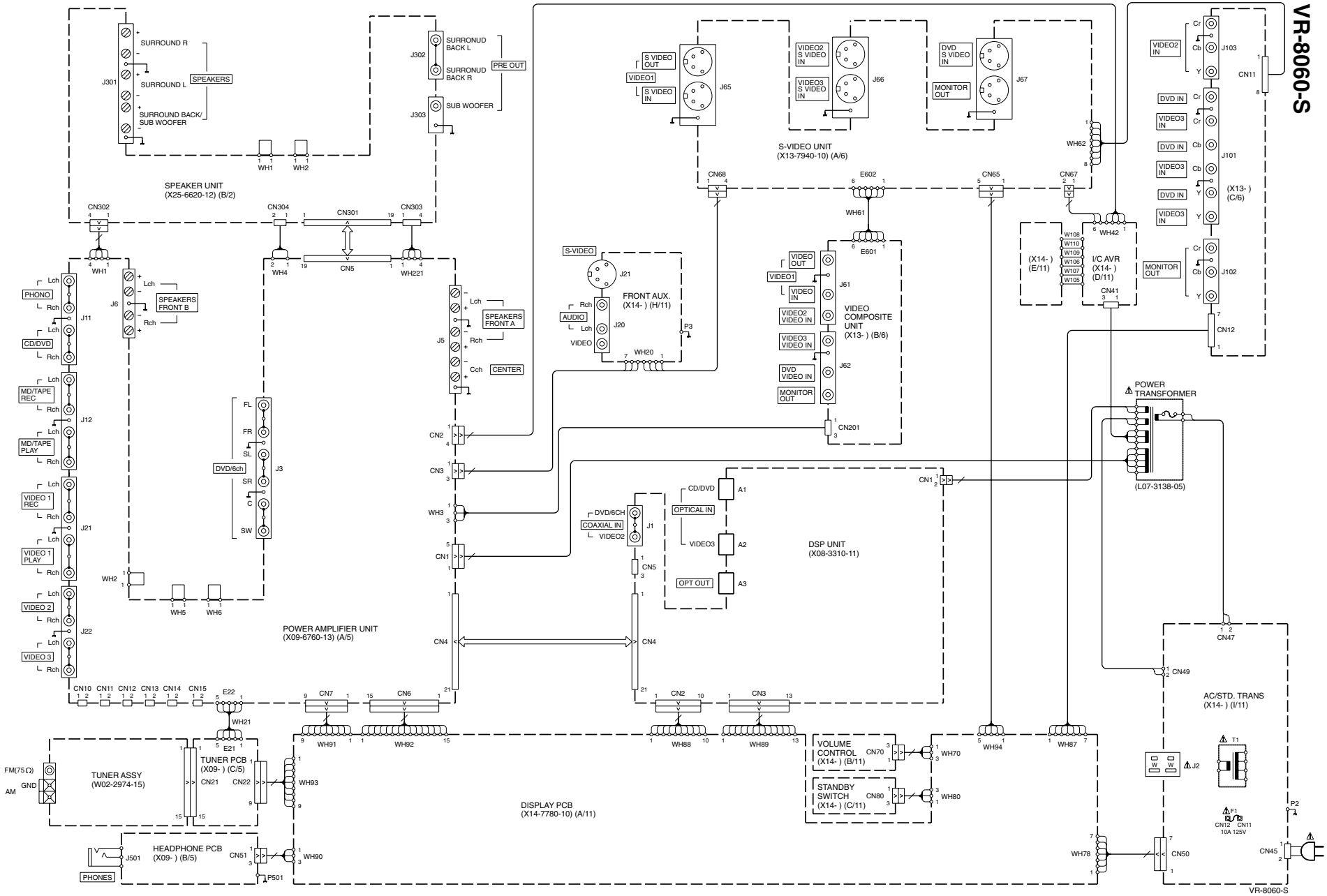
All power amplifier stage need idling current adjustment after the installation of TRAIT transistor.

1. Connect a voltmeter to CN11 with the correct polarity as indicated by the PCB silk print.
2. Adjust the preset, VR1 to get 8.8mV (Idling current = 20mA) at the voltmeter reading.
3. Repeat step 1 and 2 for all other channels.

KRF-X9080D/VR-8070/8060

INTERCONNECTION DIAGRAM

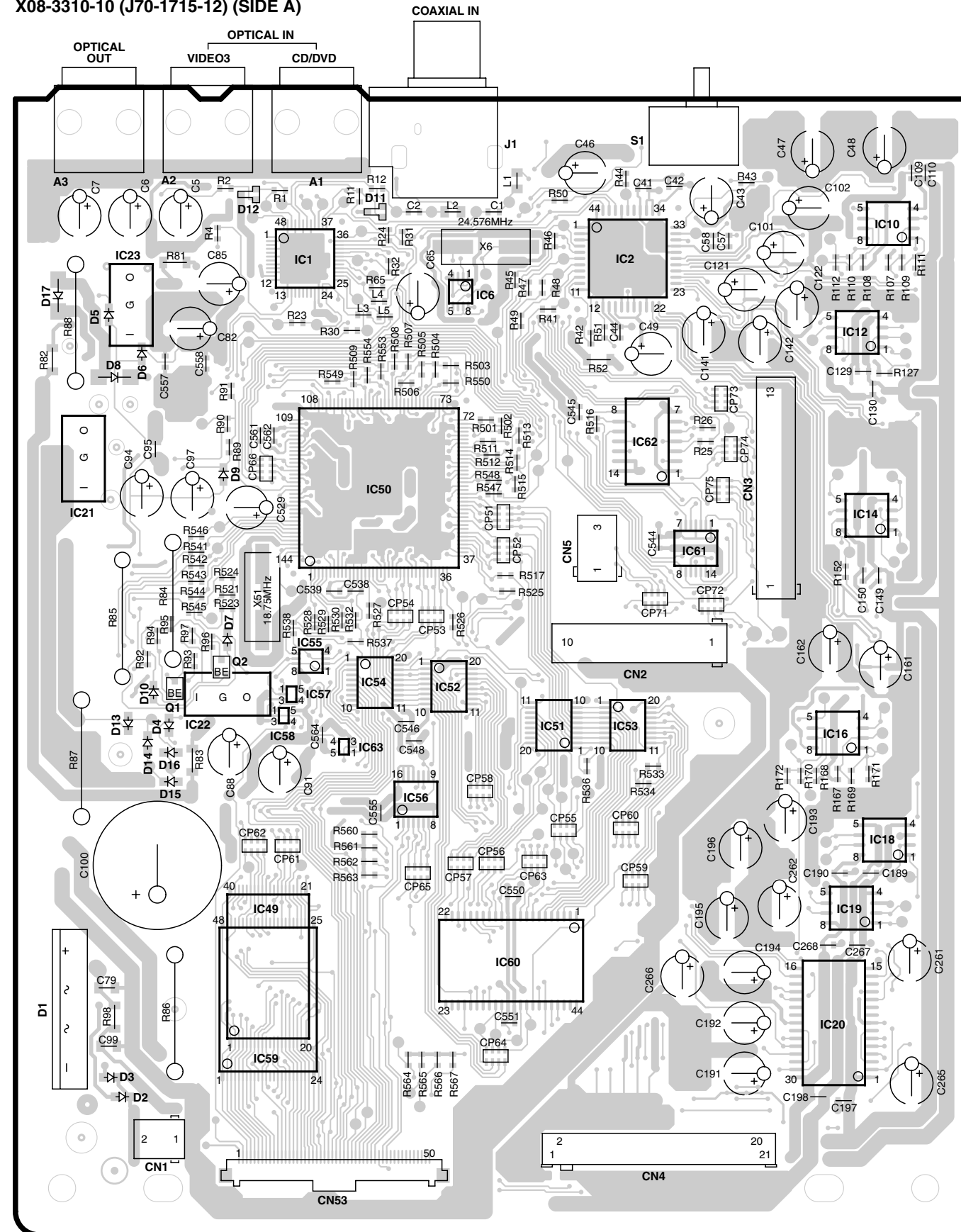
VR-8060-S



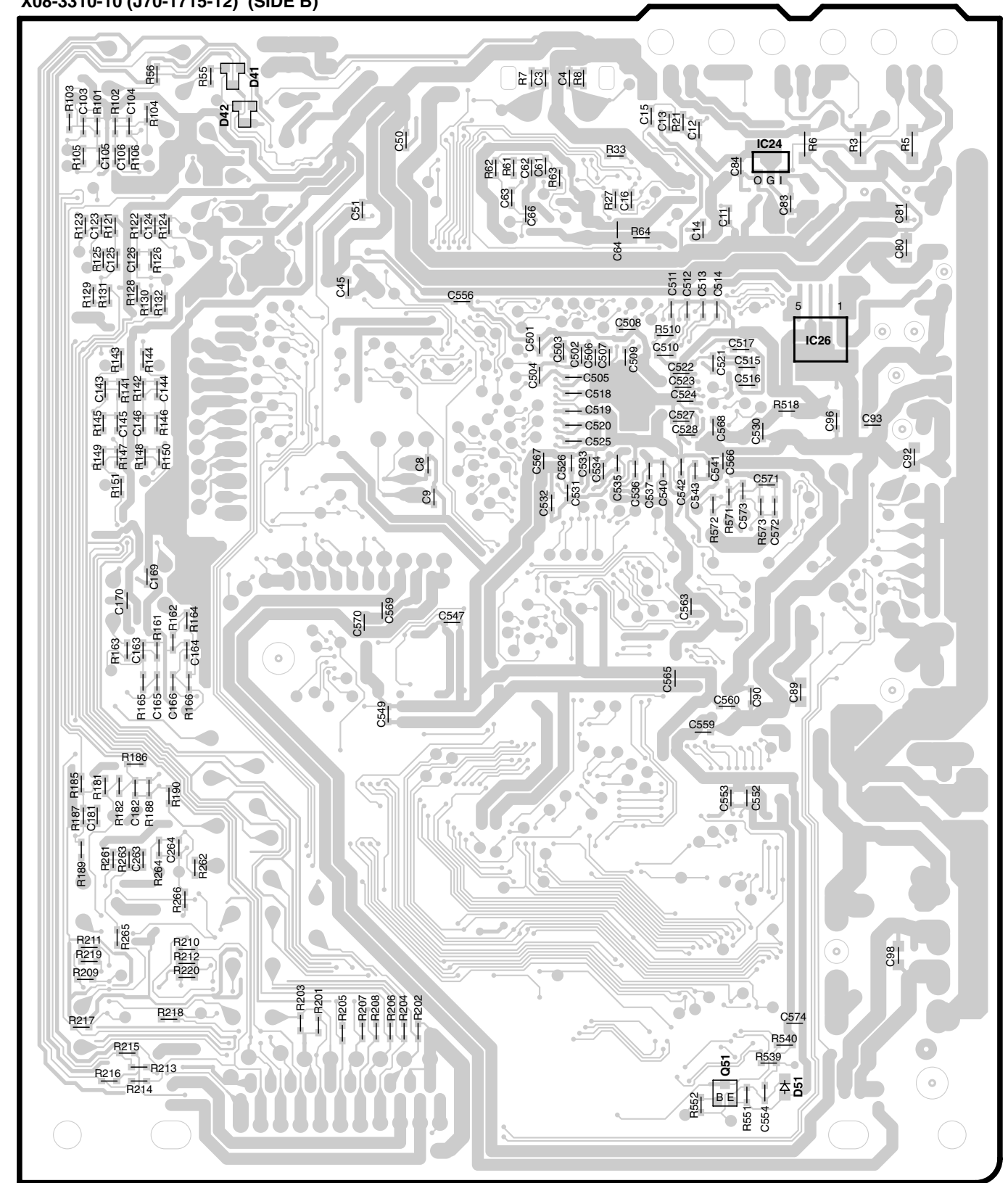
VR-8060-S

PC BOARD (Component side view)

X08-3310-10 (J70-1715-12) (SIDE A)

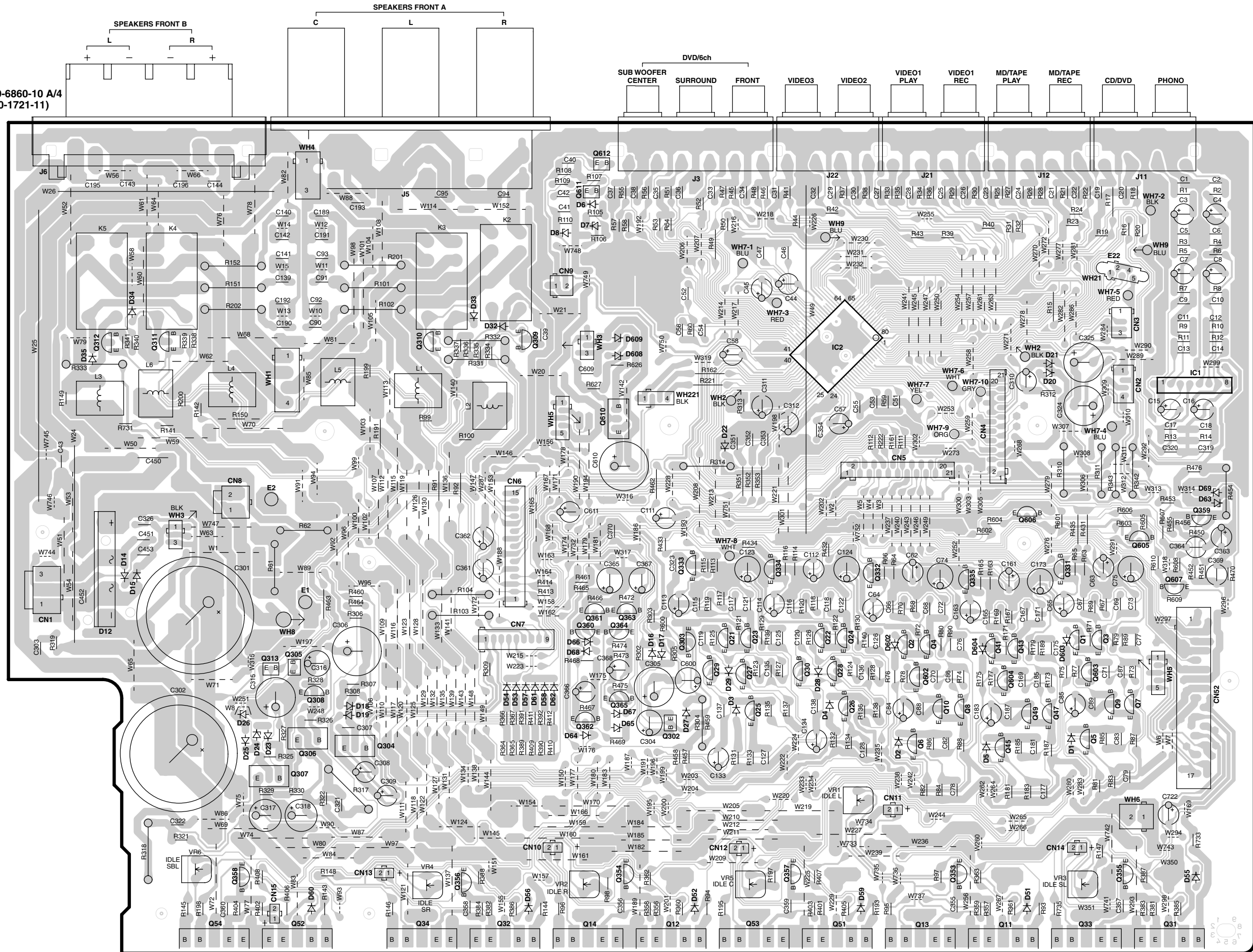


X08-3310-10 (J70-1715-12) (SIDE B)

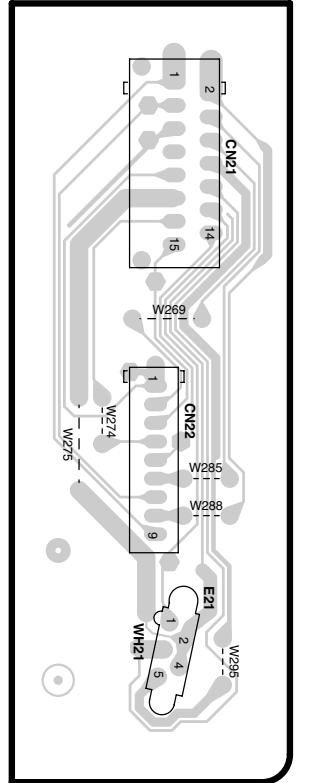


PC BOARD (Component side view)

X09-6860-10 A/4
(J70-1721-11)

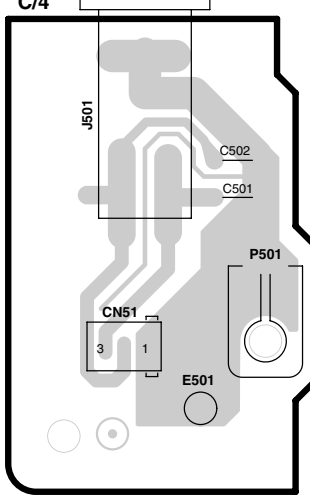


X09 B/4

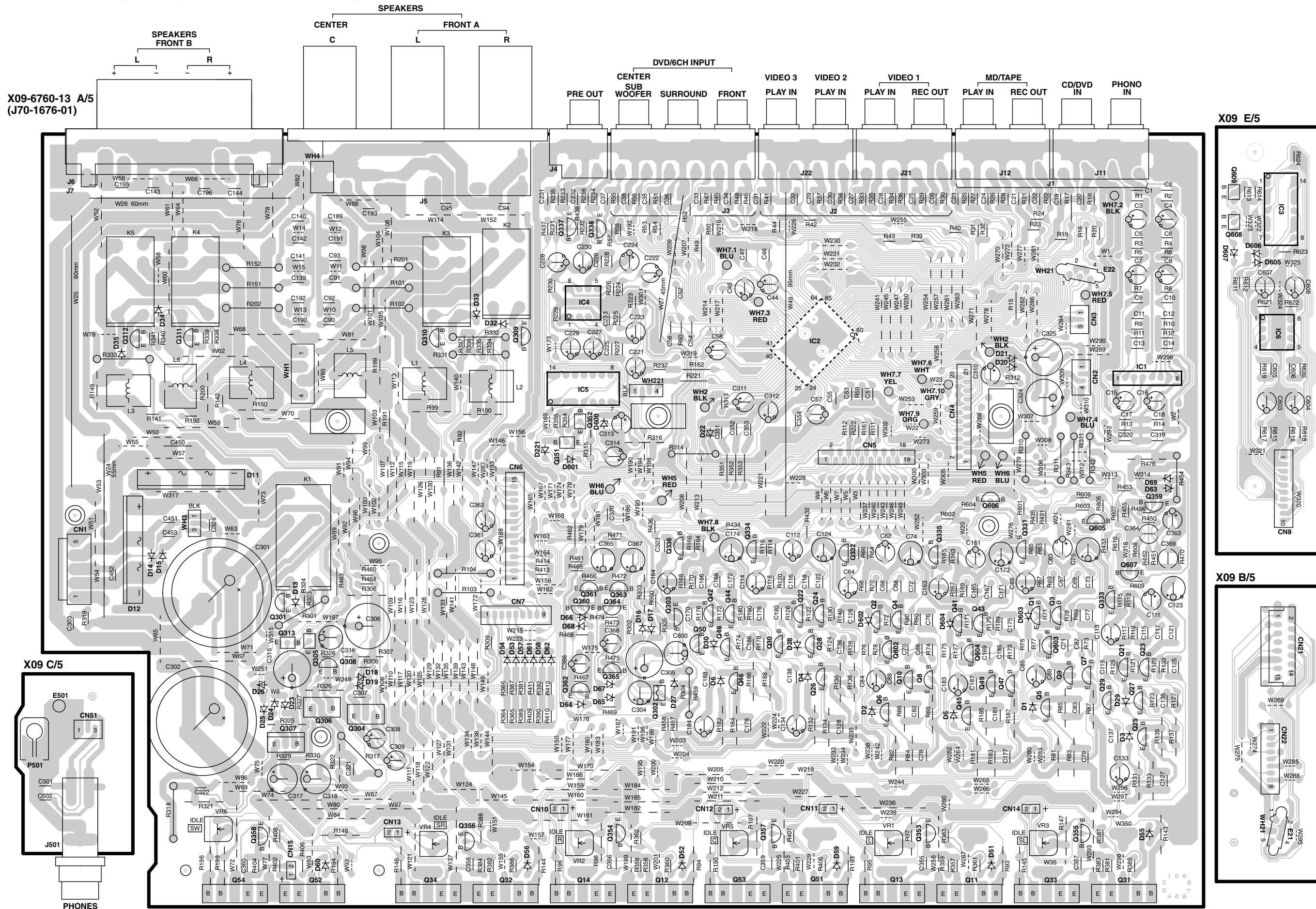


PHONES

X09 C/4

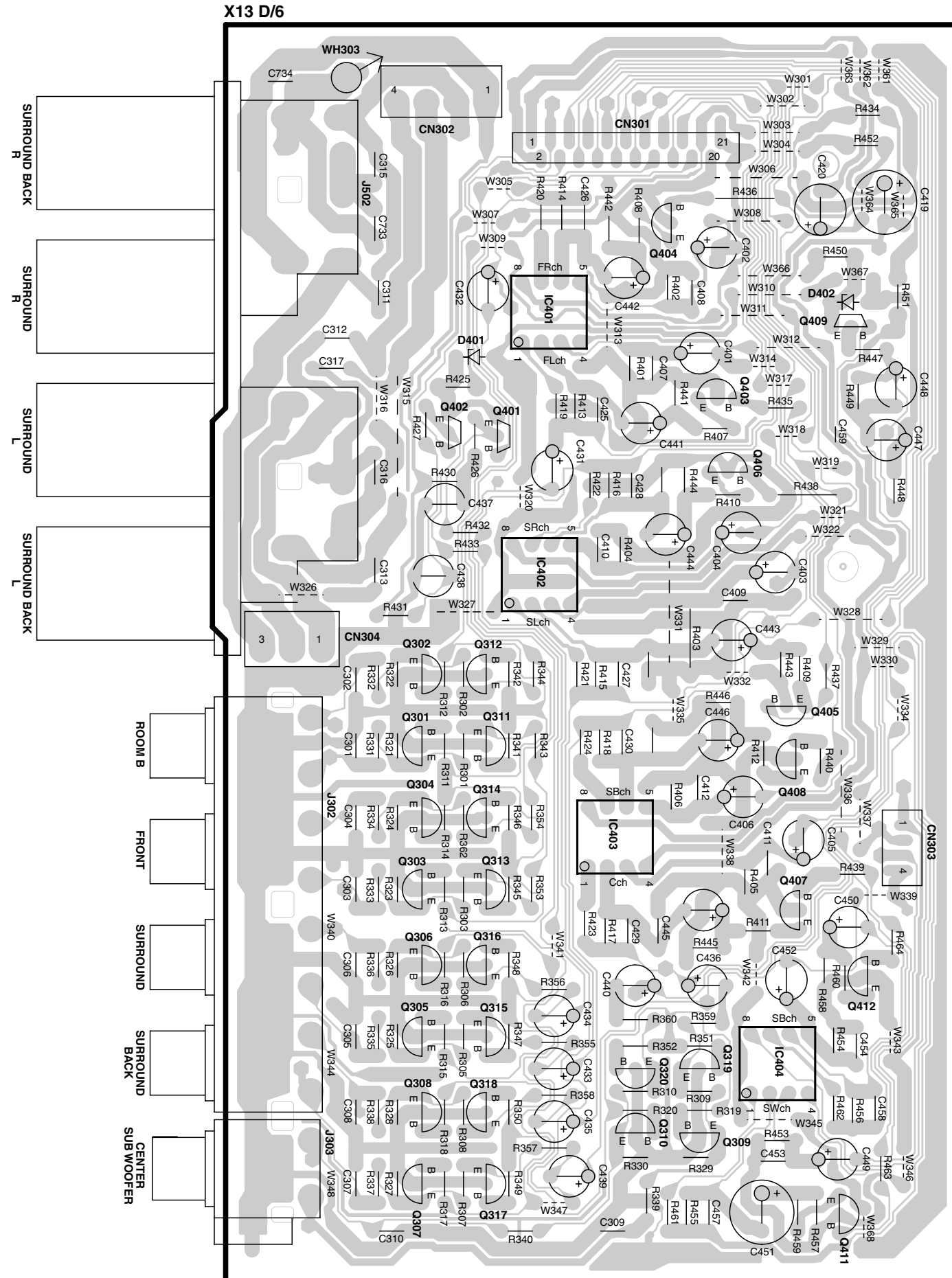
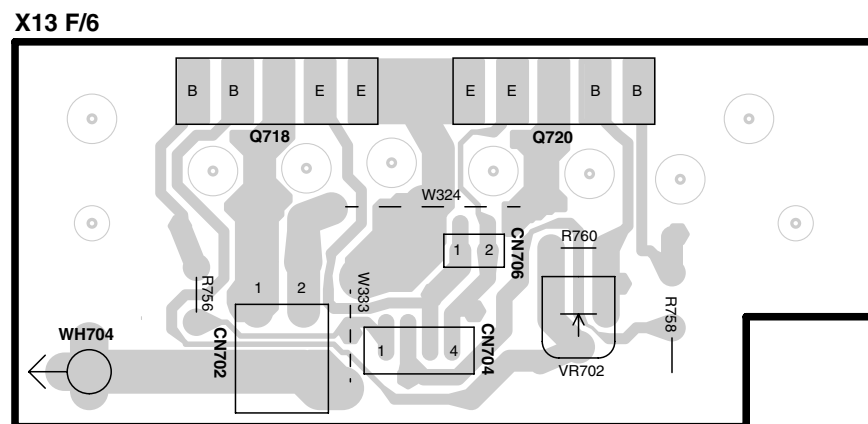
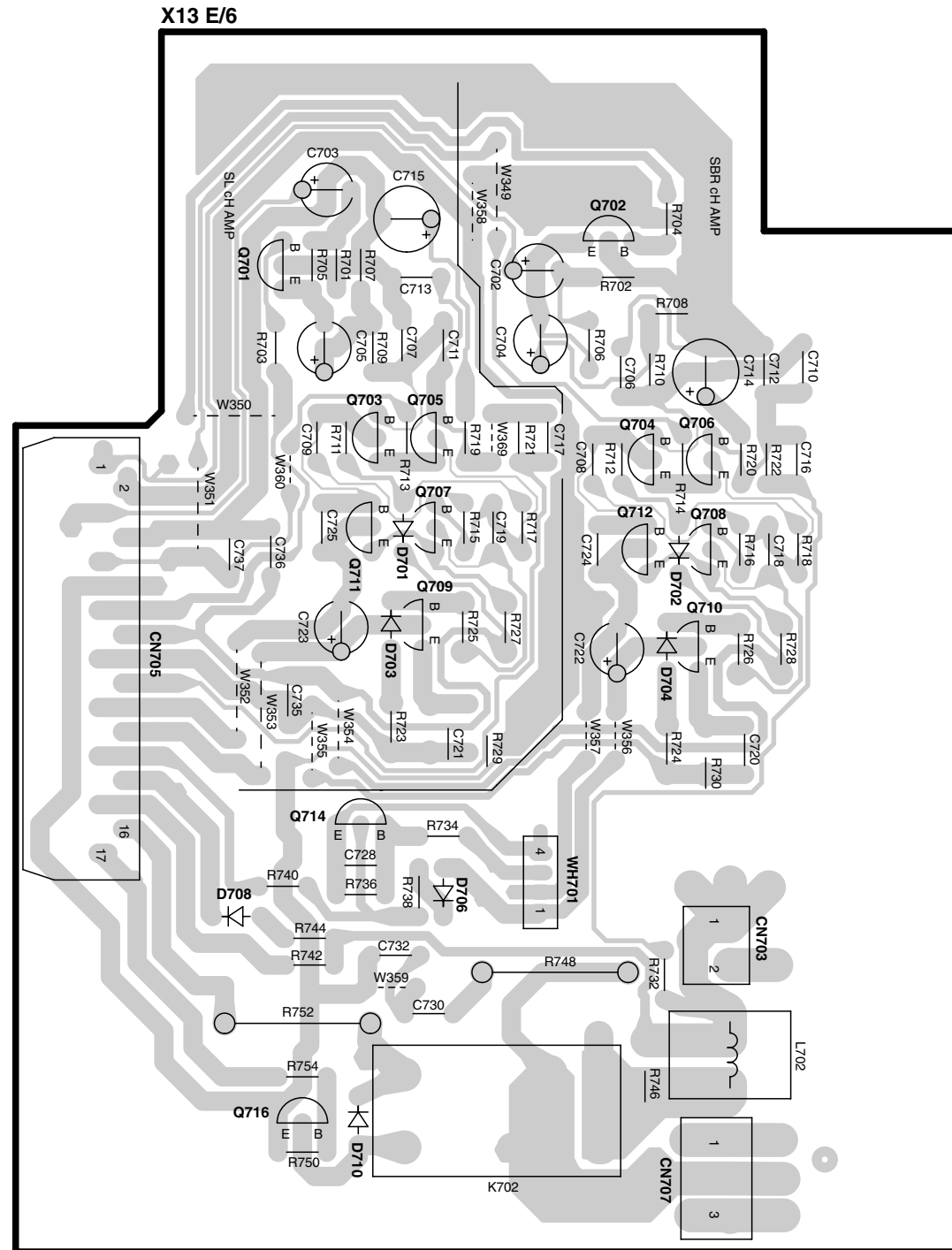


PC BOARD (Component side view)



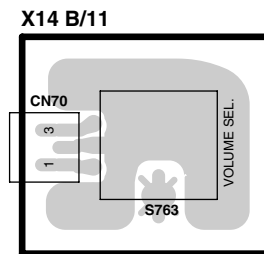
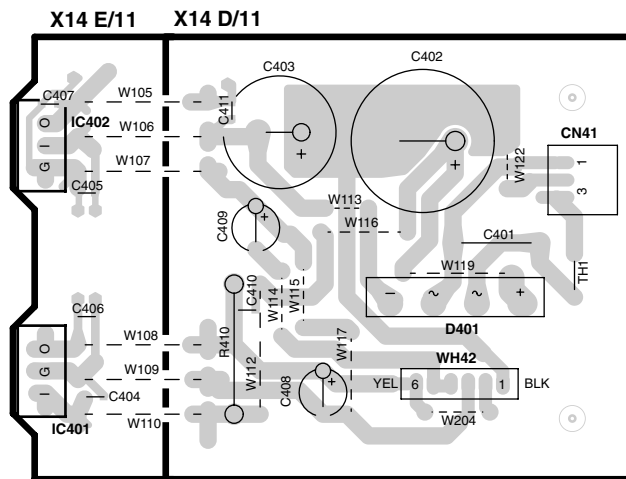
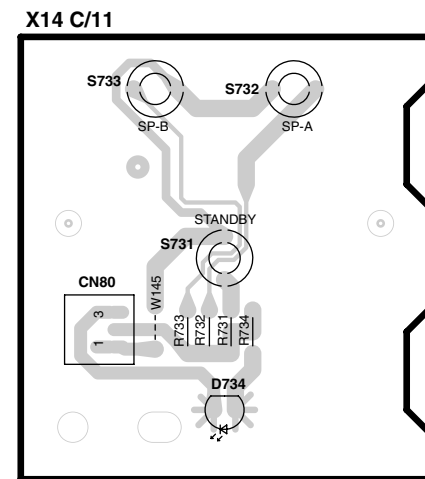
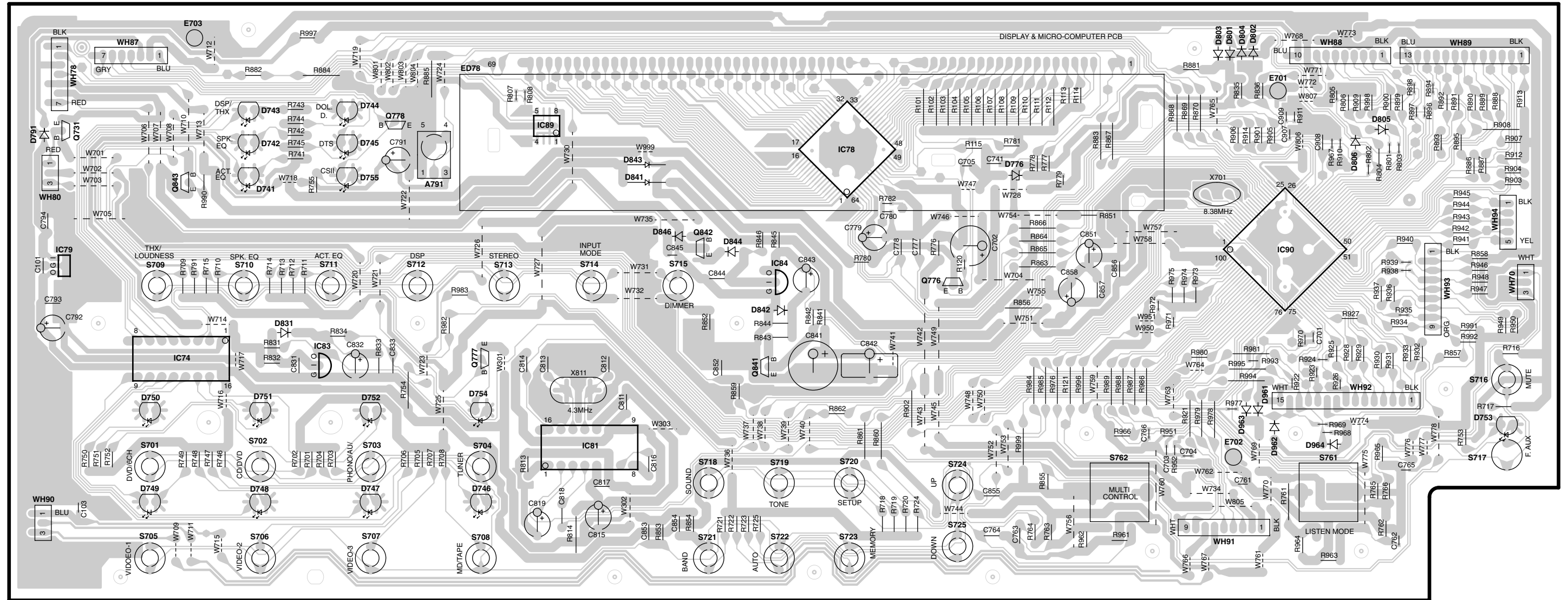
Refer to the schematic diagram for the value of resistors and capacitors.

PC BOARD (Component side view)



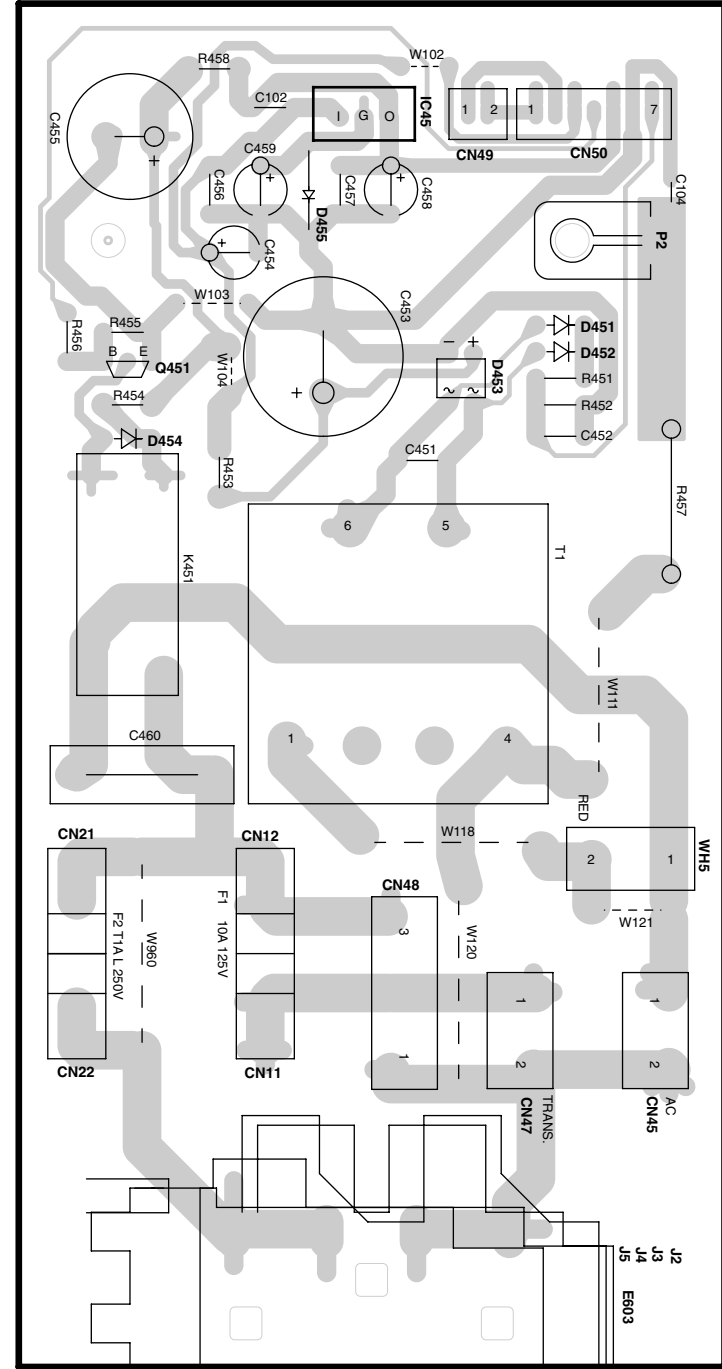
PC BOARD(Component side view)

X14-7780-10 A/11 (J70-1723-01)

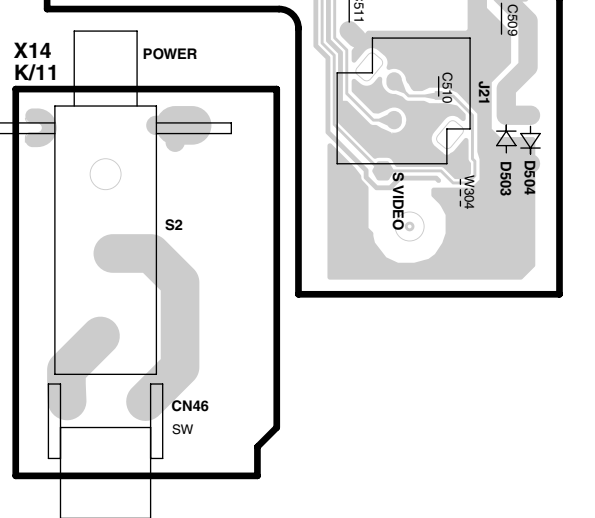
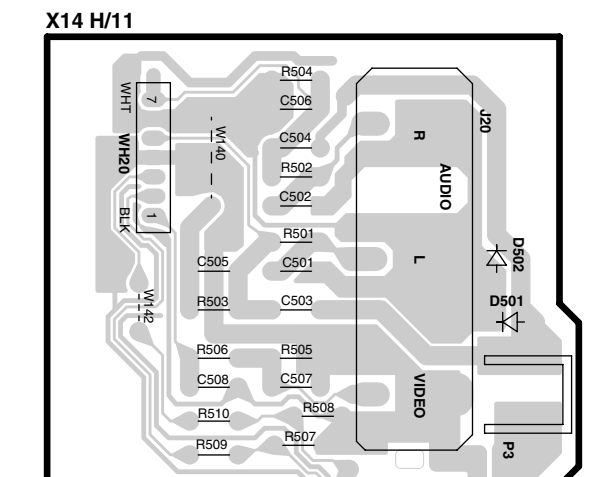
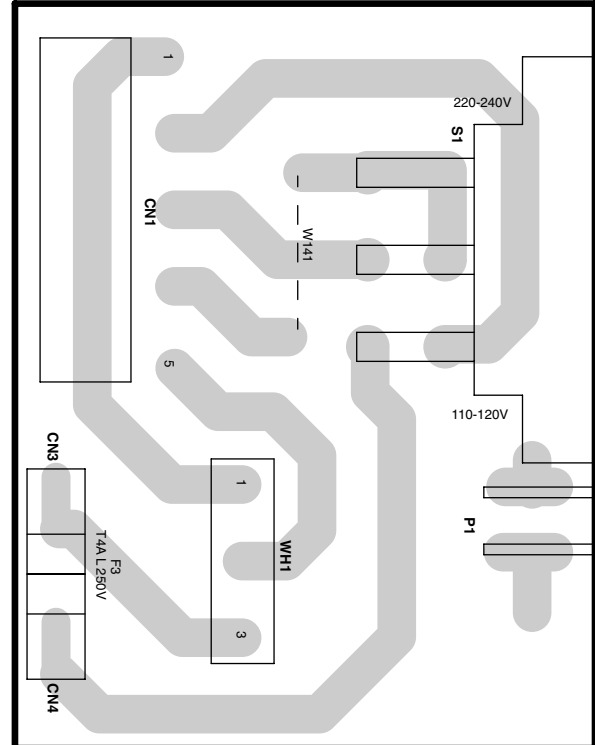


PC BOARD(Component side view)

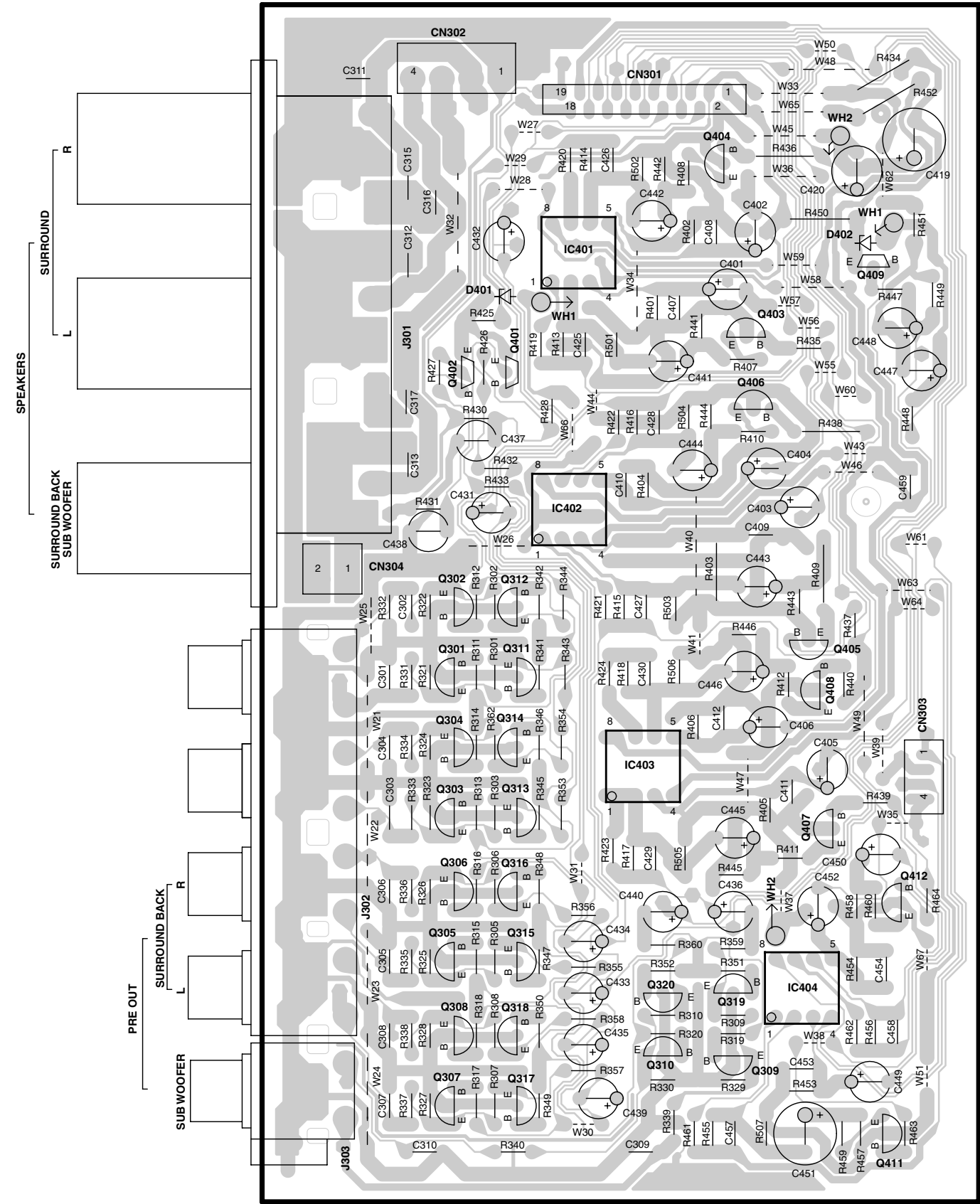
X14 I/11



X14 J/11

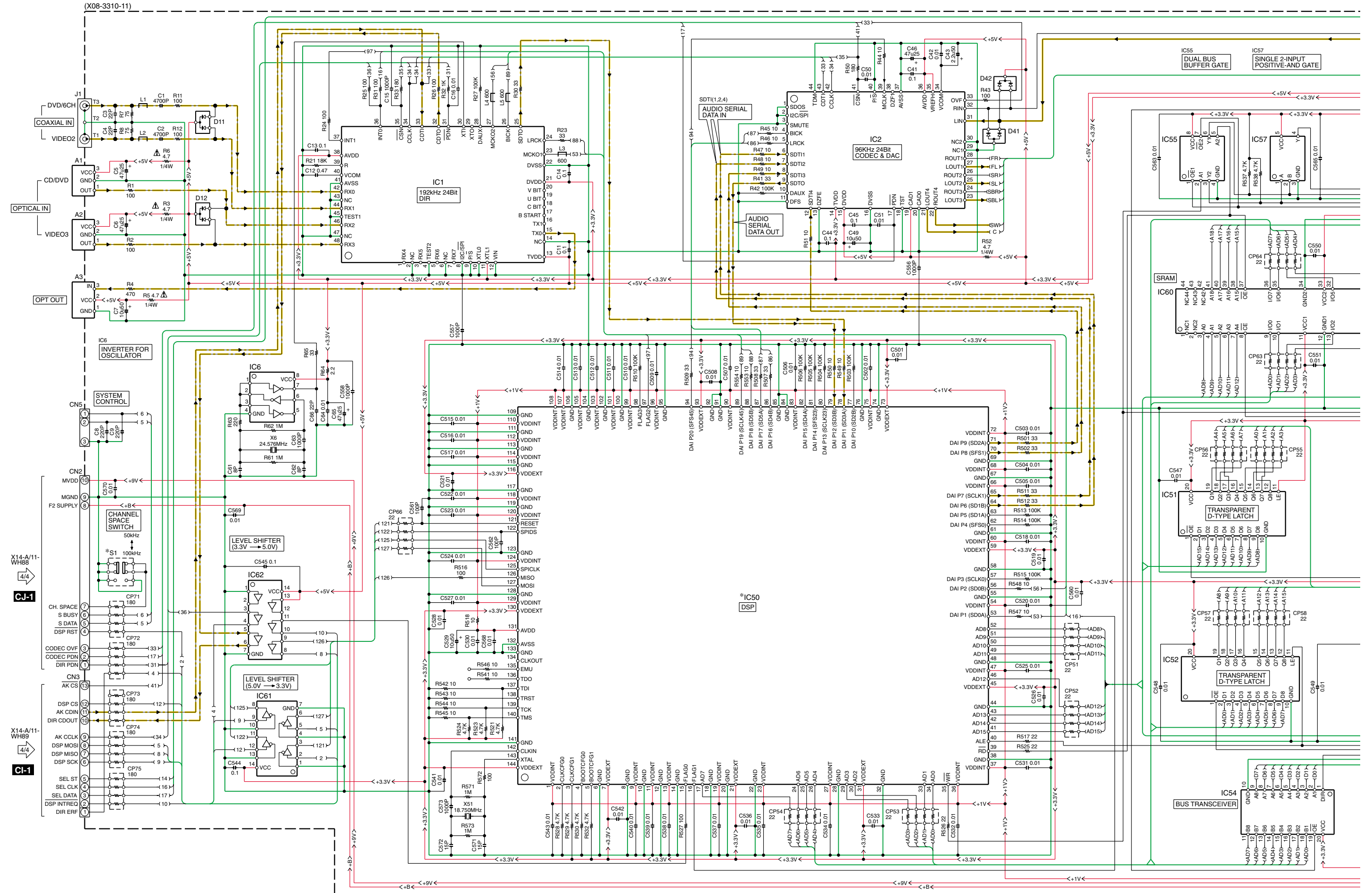


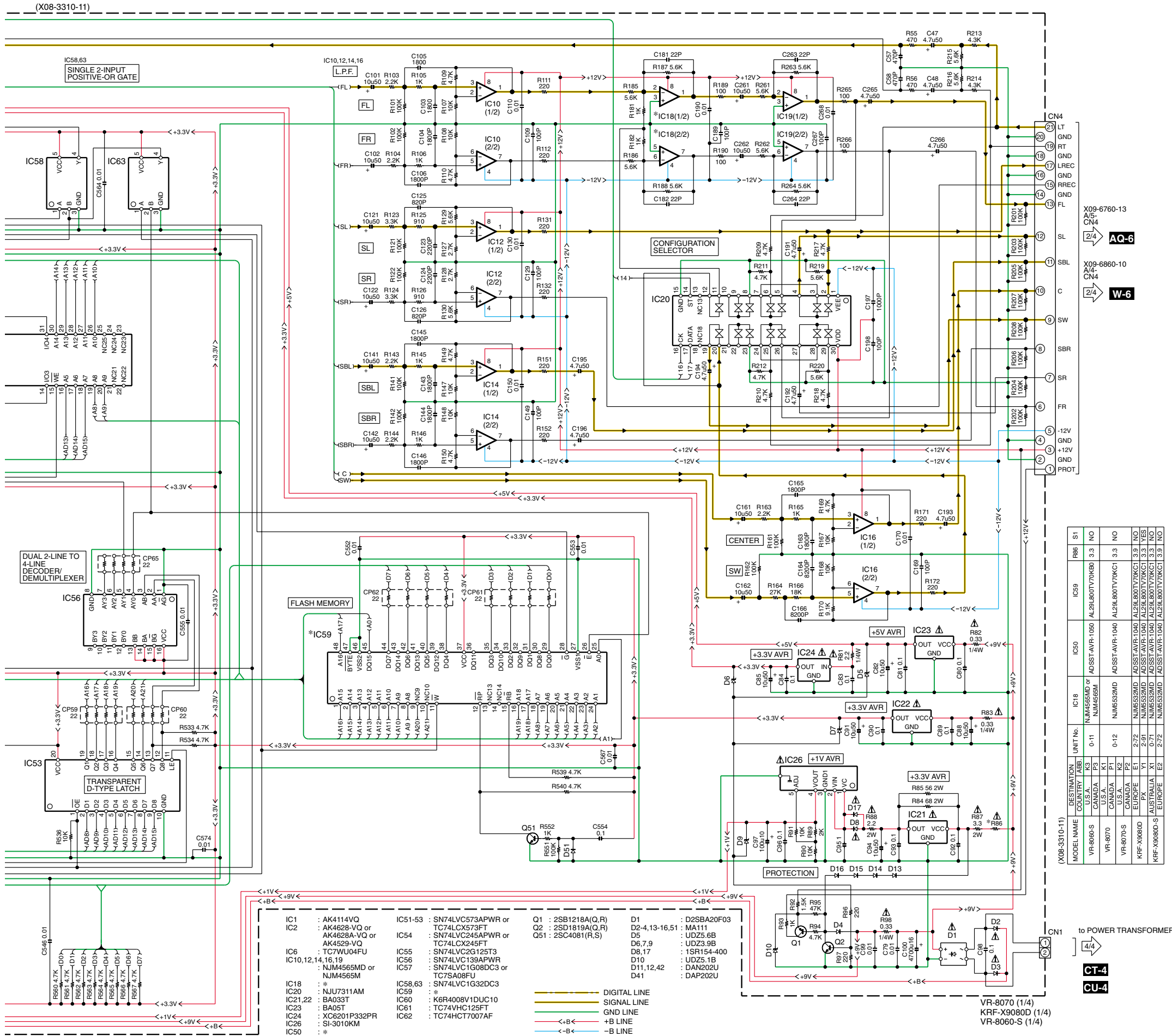
X25-6620-12 B/2 (J70-1704-32)



Refer to the schematic diagram for the value of resistors and capacitors.

KRF-X9080D/VR-8070/8060





CAUTION: For continued safety, replace safety critical components only with manufacturer's recommended parts (refer to parts list). ⚠ indicates safety critical components. For continued protection against risk of fire, replace only with same type and rating fuse(s). To reduce the risk of electric shock, leakage-current or resistance measurements shall be carried out (exposed parts are acceptably insulated from the supply circuit) before the appliance is returned to the customer.

The DC voltage is an actual reading measured with a high impedance type voltmeter with no signal input. The measurement value may vary depending on the measuring instruments used or on the product.

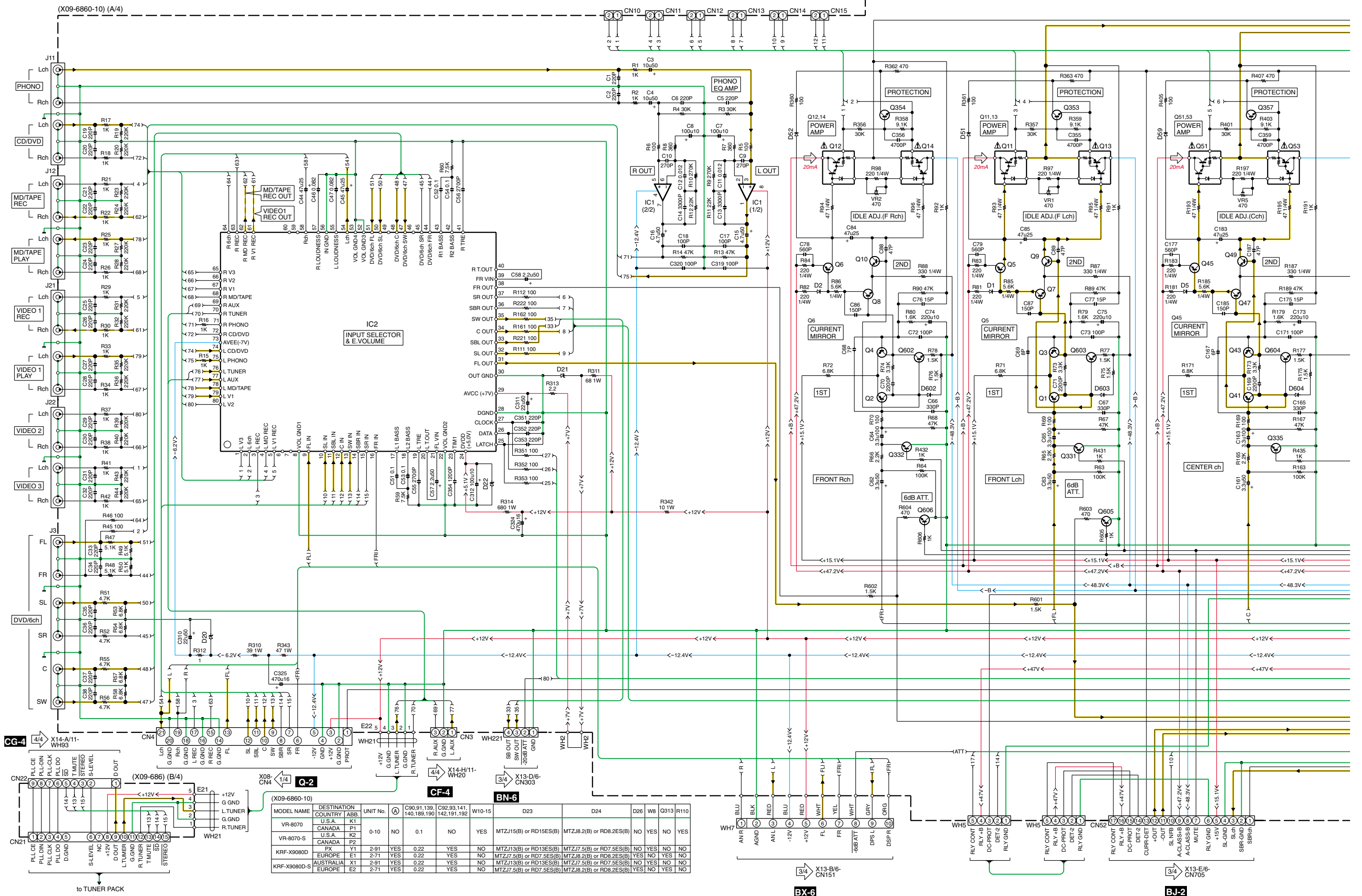
MODEL NAME	DESTINATION COUNTRY	UNIT No.	IC18	IC50	IC59	RB6 S1
VR-8070-S	U.S.A.	0-11	NJM4555MD or NJM4555M	ADSS1-AVR-1050	AL29L800TV79K00	3.3 NO
VR-8070	U.S.A.	K1				
VR-8070-S	CANADA	P1	NJM5532MD	ADSS1-AVR-1040	AL29L800TV79K01	3.3 NO
KRF-X9080D	U.S.A.	K2	NJM5532MD	ADSS1-AVR-1040	AL29L800TV79K01	3.3 NO
KRF-X9080D	CANADA	P2	NJM5532MD	ADSS1-AVR-1040	AL29L800TV79K01	3.3 YES
KRF-X9080D-S	U.S.A.	Y1	NJM5532MD	ADSS1-AVR-1040	AL29L800TV79K01	3.3 NO
KRF-X9080D-S	AUSTRALIA	X1	NJM5532MD	ADSS1-AVR-1040	AL29L800TV79K01	3.3 NO
KRF-X9080D-S	EUROPE	E2	NJM5532MD	ADSS1-AVR-1040	AL29L800TV79K01	3.3 NO

(X08-3310-11)

to POWER TRANSFORMER

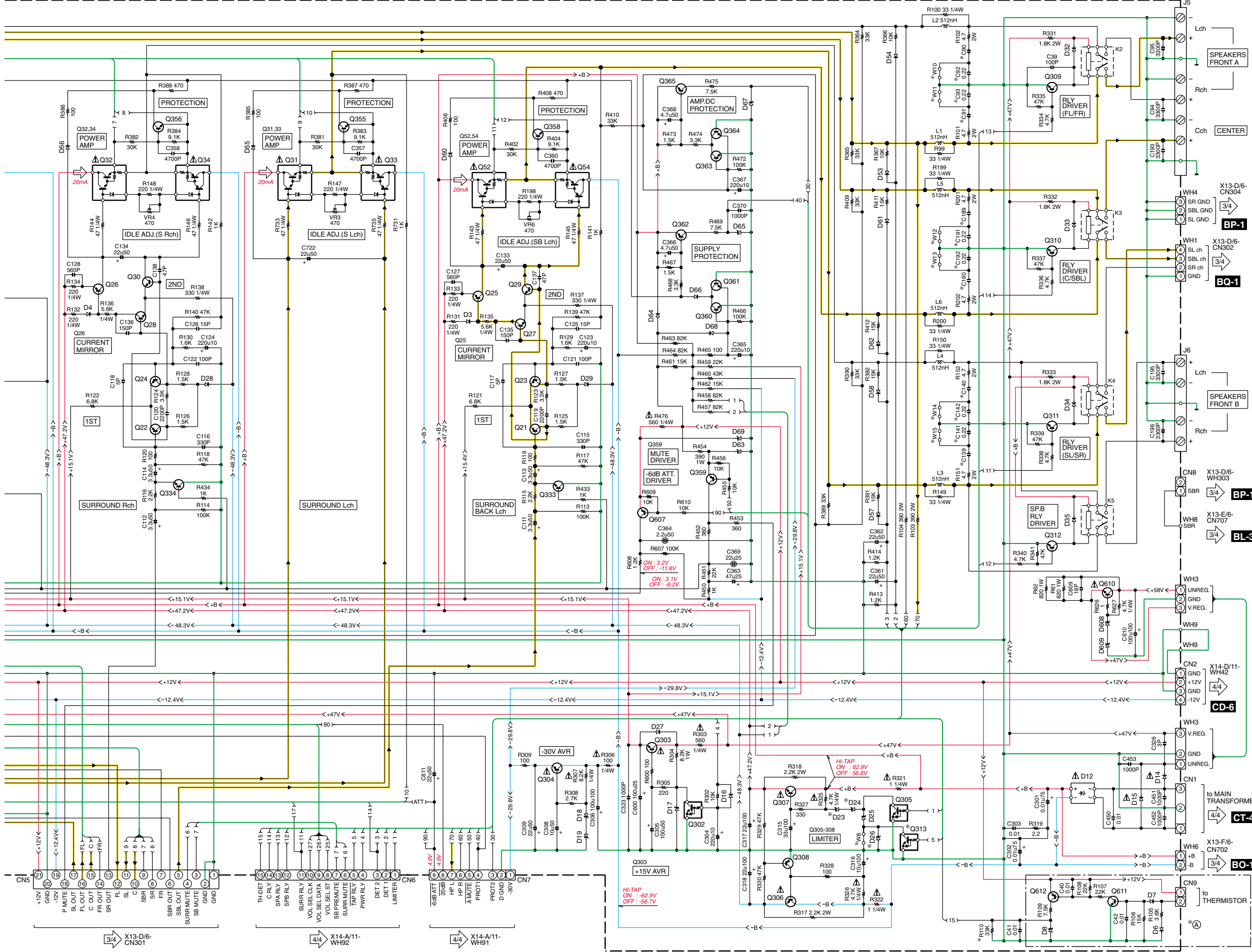
CT-4
CU-4

KRF-X9080D/VR-8070/8060



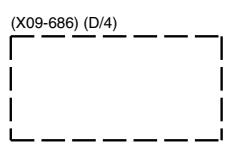
MODEL NAME	DESTINATION COUNTRY	ABB	UNIT No.	A	C90,91,139,140,189,190	C92,93,141,142,191,192	W10-15	D23	D24	D26	W8	Q313	R110
VR-8070	U.S.A.	K1	0-10	NO	0.1	NO	YES	MTZJ15(B) or RD15ES(B)	MTZJ8.2(B) or RD8.2ES(B)	NO	YES	NO	YES
VR-8070-S	U.S.A.	K2											
	CANADA	P2											
KRF-X9080D	PX	Y1	2-91	YES	0.22	YES	NO	MTZJ13(B) or RD13ES(B)	MTZJ7.5(B) or RD7.5ES(B)	NO	YES	NO	NO
KRF-X9080D-E	EUROPE	E1	2-71	YES	0.22	YES	NO	MTZJ7.5(B) or RD7.5ES(B)	MTZJ8.2(B) or RD8.2ES(B)	YES	NO	YES	NO
KRF-X9080D-A	AUSTRALIA	X1	2-91	YES	0.22	YES	NO	MTZJ13(B) or RD13ES(B)	MTZJ7.5(B) or RD7.5ES(B)	NO	YES	NO	NO
KRF-X9080D-S	EUROPE	E2	2-71	YES	0.22	YES	NO	MTZJ7.5(B) or RD7.5ES(B)	MTZJ8.2(B) or RD8.2ES(B)	YES	NO	YES	NO

(X09-6860-10) (A/4)



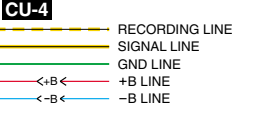
CAUTION: For continued safety, replace safety critical components only with manufacturer's recommended parts (refer to parts list). Δ indicates safety critical components. For continued protection against risk of fire, replace only with same type and rating fuse(s). To reduce the risk of electric shock, leakage-current or resistance measurements shall be carried out (exposed parts are acceptably insulated from the supply circuit) before the appliance is returned to the customer.

The DC voltage is an actual reading measured with a high impedance type voltmeter with no signal input. The measurement value may vary depending on the measuring instruments used or on the product.



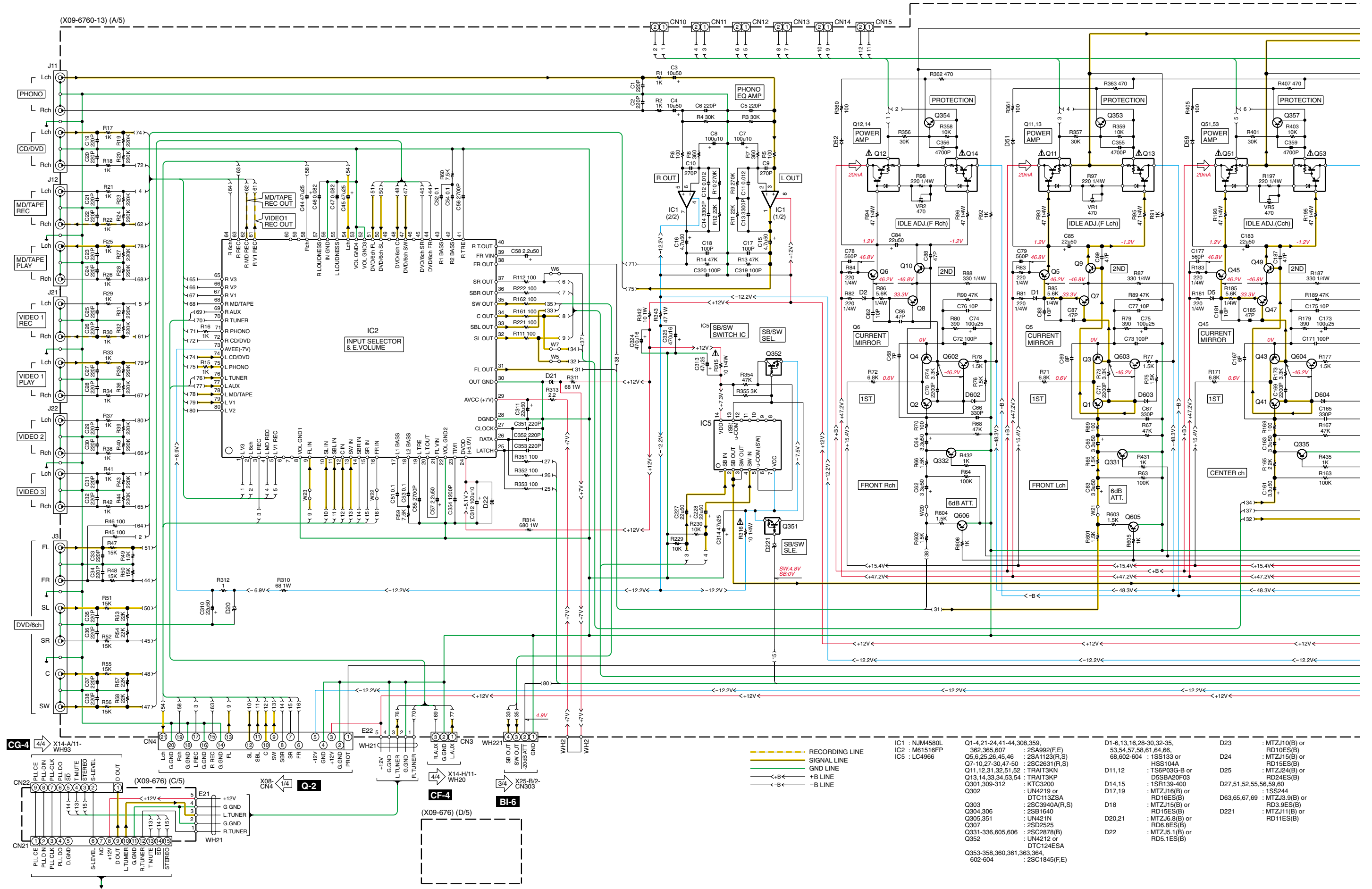
- IC1 : NJM4580L
 IC2 : M61516FP
- Q1-4,21-24,41,43,308,359,362,365,607 : 2SA992(F,E)
 Q5,6,25,26,45 : 2SA1123(R,S)
 Q7-10,27-30,47,49 : 2SC2591(R,S)
 Q11,12,31,32,51,52 : TRAIT3N
 Q13,14,33,34,53,54 : TRAIT3P
 Q302 : UN4219 or DTC113ZSA
 Q303 : 2SC3940A(R,S)
 Q304,306 : 2SB1640
 Q305,313 : UN421N
 Q307 : 2SD2525
 Q309-312 : KT3200
 Q331-335,605,606 : 2SC2878(B)
 Q353-358,360,361,363,364 : 602-604 : 2SC1845(F,E)
 Q610 : 2SD2012
 Q611 : 2SC1740S(Q,R) or KT3199(Y,GR)
 Q612 : 2SA933AS(Q,R) or KTA1267(Y,GR)

- D1-6,16,28,29,32-35,53,54,57,58,61,62,64,66,68,602-604 : 1SS133 or HSS104A
 D7,22 : MTZJ5.1(B) RD5.1ES(B)
 D8,26,63,65,67,69 : MTZJ3.9(B) RD3.9ES(B)
 D12 : TSP03G-B or DSB20F03
 D14,15 : S5688B
 D17,19 : MTZJ16(B) or RD16ES(B)
 D18 : MTZJ15(B) or RD15ES(B)
 D20 : MTZJ6.2(B) or RD6.2ES(B)
 D21 : MTZJ6.8(B) or RD6.8ES(B)
 D23 : *
 D24 : *
 D25,608 : MTZJ30(B) or RD30ES(B)
 D27,51,52,55,56,59,60 : 1SS244
 D609 : MTZJ20(B) or RD20ES(B)

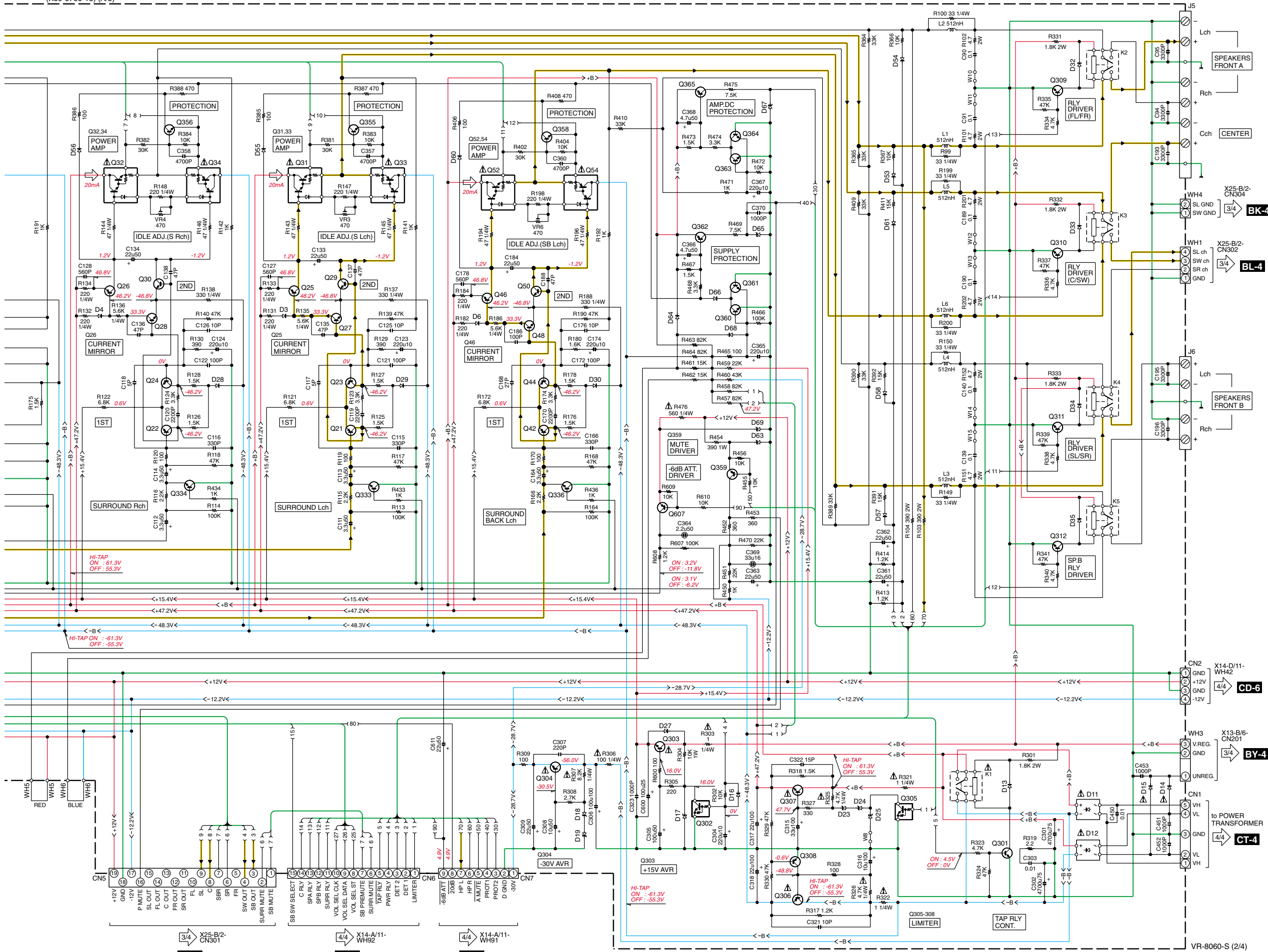


VR-8070 (2/4)
 KRF-X9080D (2/4)

KRF-X9080D/VR-8070/8060



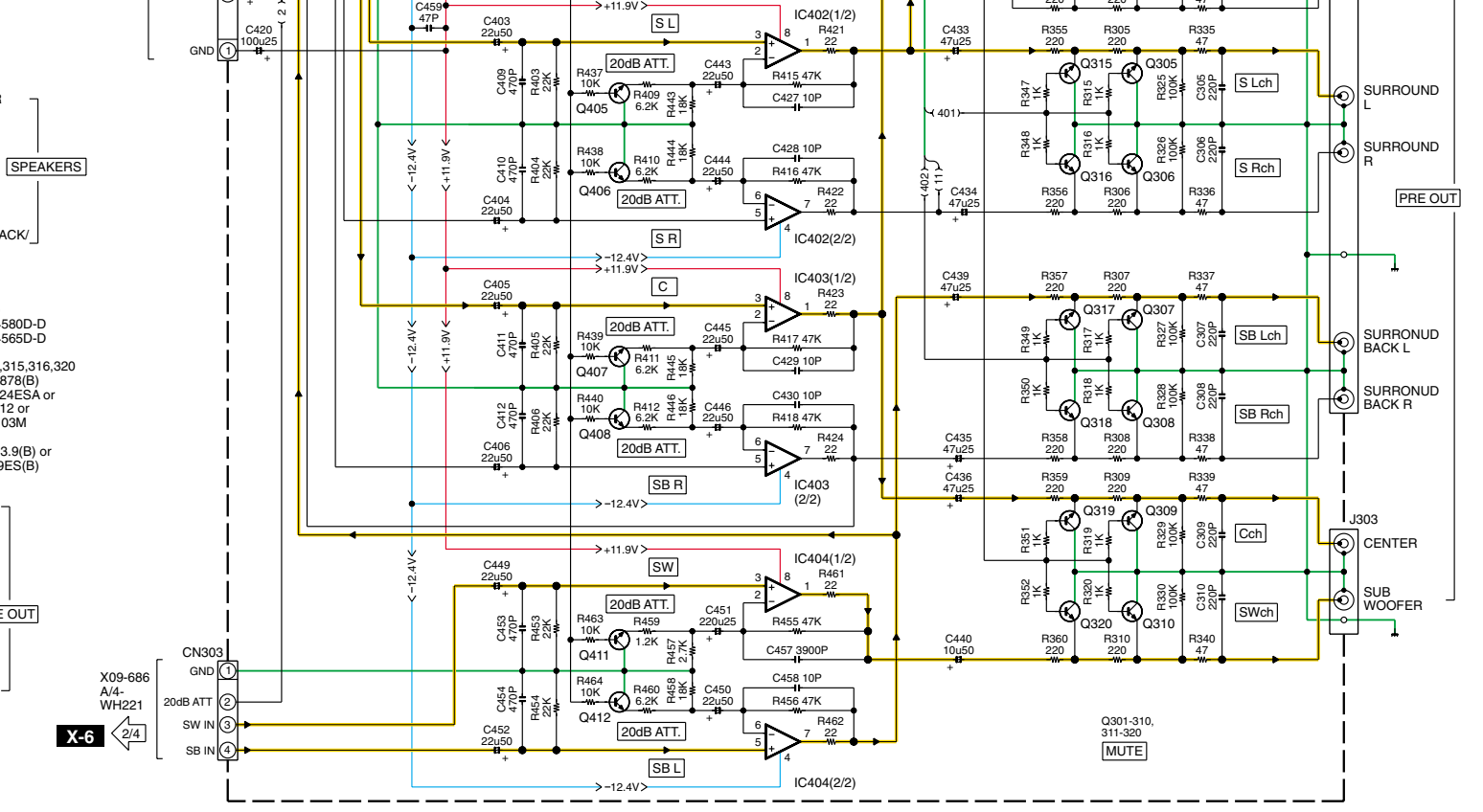
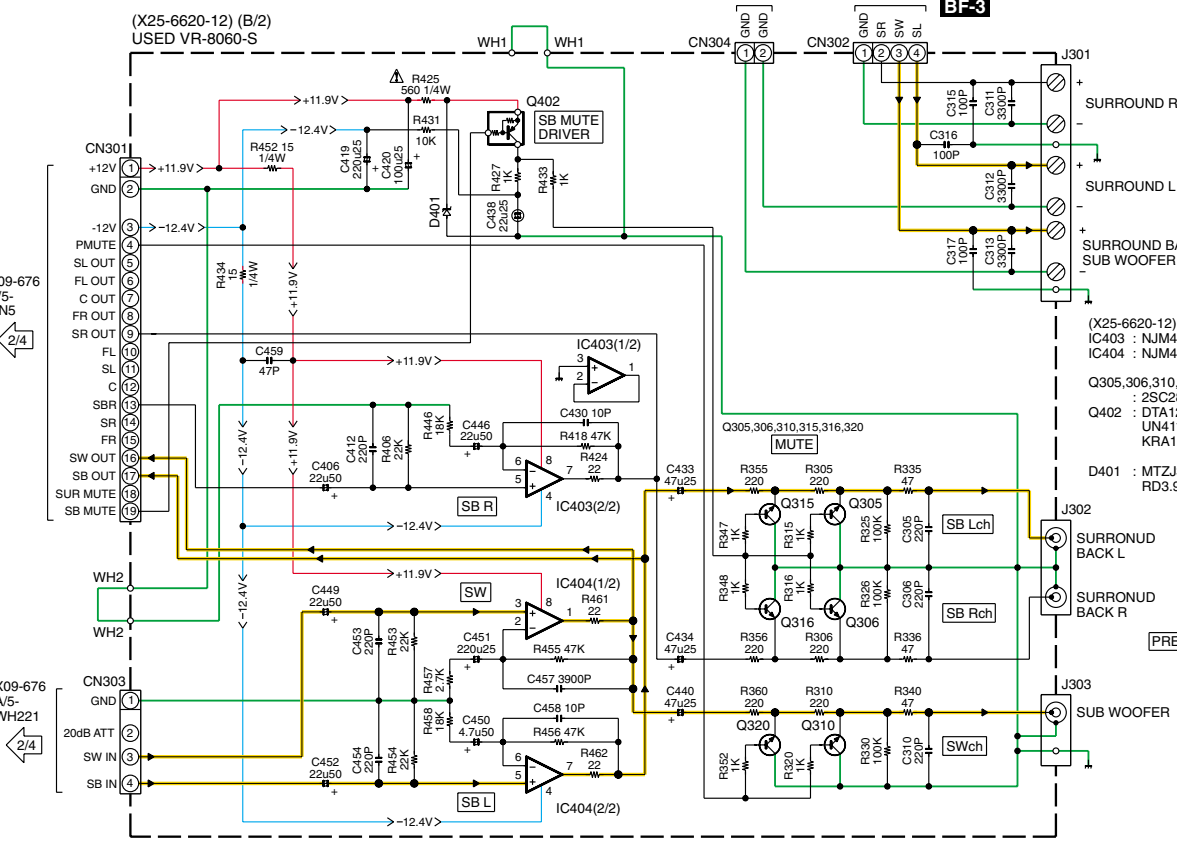
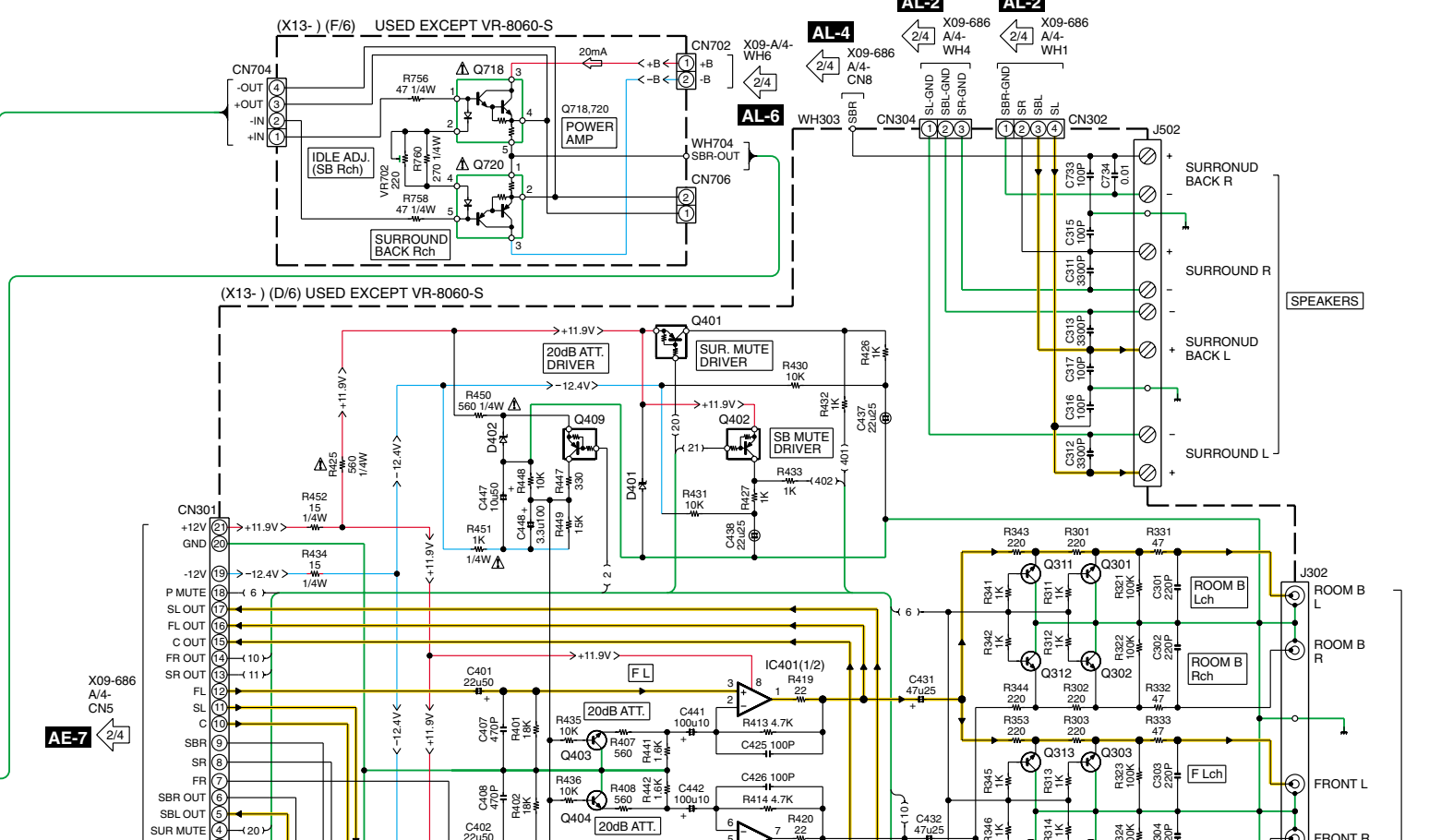
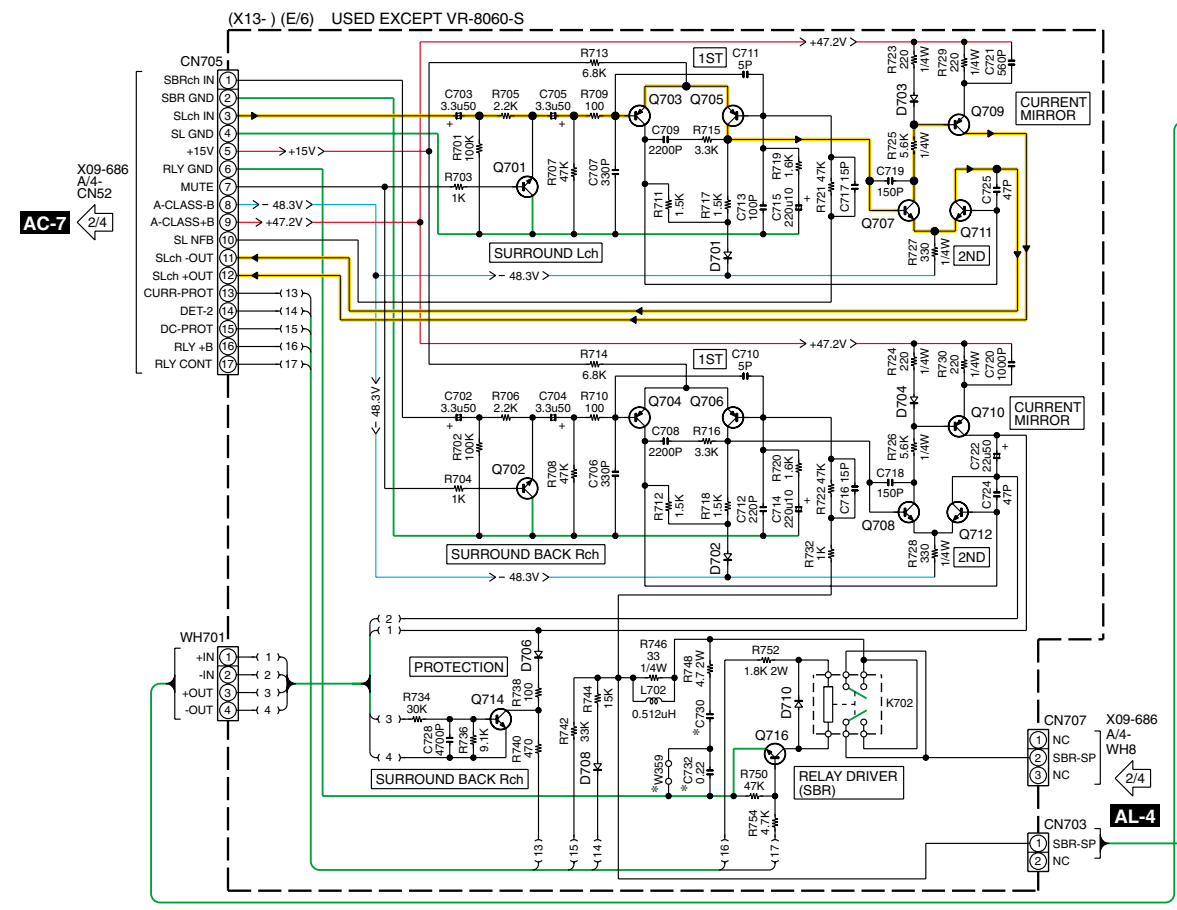
IC1 : NJM4580L	Q1-4,21-24,41-44,308,359,362,365,607 : 2SA992(F,E)	D1-6,13,16,28-30,32-35,53,54,57,58,61,64,66,68,602-604 : 1SS133 or HSS104A	D23 : MTZJ10(B) or RD10ES(B)
IC2 : M61516FP	Q5,6,25,26,45,46 : 2SA1123(R,S)	D11,12 : TS6P03G-B or D5SBA20F03	D24 : MTZJ15(B) or RD15ES(B)
IC3 : LC4966	Q7-10,27-30,47-50 : 2SC2631(R,S)	D14,15 : 1SR139-400	D25 : MTZJ24(B) or RD24ES(B)
	Q11,12,31,32,51,52 : TRAIT3KN	D17,19 : MTZJ16(B) or RD16ES(B)	D27,51,52,55,56,59,60 : 1SS244
	Q13,14,33,34,53,54 : TRAIT3KP	D18 : MTZJ15(B) or RD15ES(B)	D63,65,67,69 : MTZJ3.9(B) or RD3.9ES(B)
	Q301,309-312 : KTC3200	D20,21 : MTZJ6.8(B) or RD6.8ES(B)	D221 : MTZJ11(B) or RD11ES(B)
	Q302 : UN4219 or DTC113ZSA	D22 : MTZJ5.1(B) or RD5.1ES(B)	
	Q303 : 2SC3940A(R,S)		
	Q304,306 : 2SB1640		
	Q305,351 : UN421N		
	Q307 : 2SD2525		
	Q331-336,605,606 : 2SC2878(B)		
	Q352 : UN4212 or DTC124ESA		
	Q353-358,360,361,363,364,602-604 : 2SC1845(F,E)		

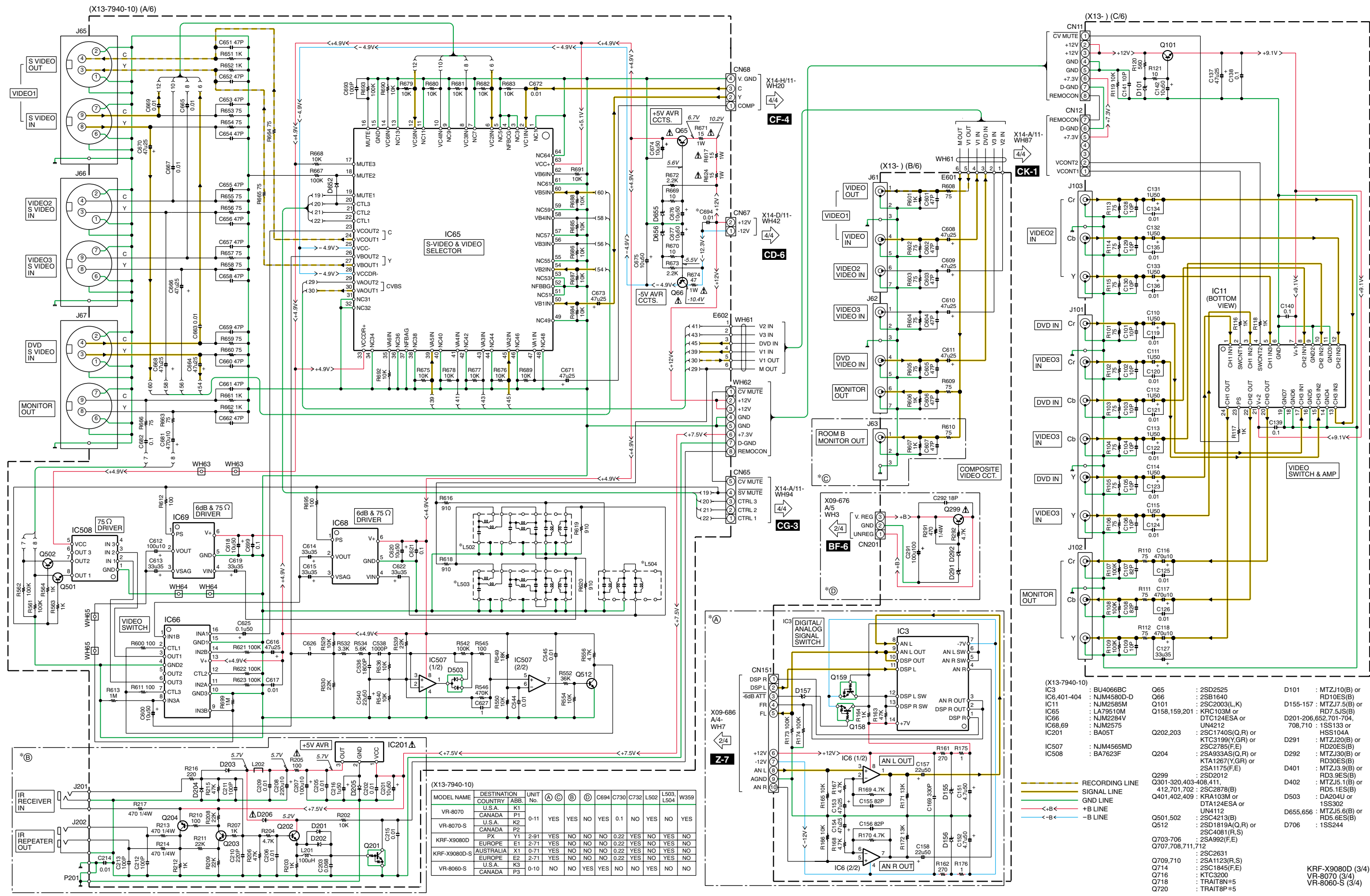


CAUTION: For continued safety, replace safety critical components only with manufacturer's recommended parts (refer to parts list). Δ indicates safety critical components. For continued protection against risk of fire, replace only with same type and rating fuse(s). To reduce the risk of electric shock, leakage-current or resistance measurements shall be carried out (exposed parts are acceptably insulated from the supply circuit) before the appliance is returned to the customer.

The DC voltage is an actual reading measured with a high impedance type voltmeter with no signal input. The measurement value may vary depending on the measuring instruments used or on the product.

KRF-X9080D/VR-8070/8060





(X13-7940-10)

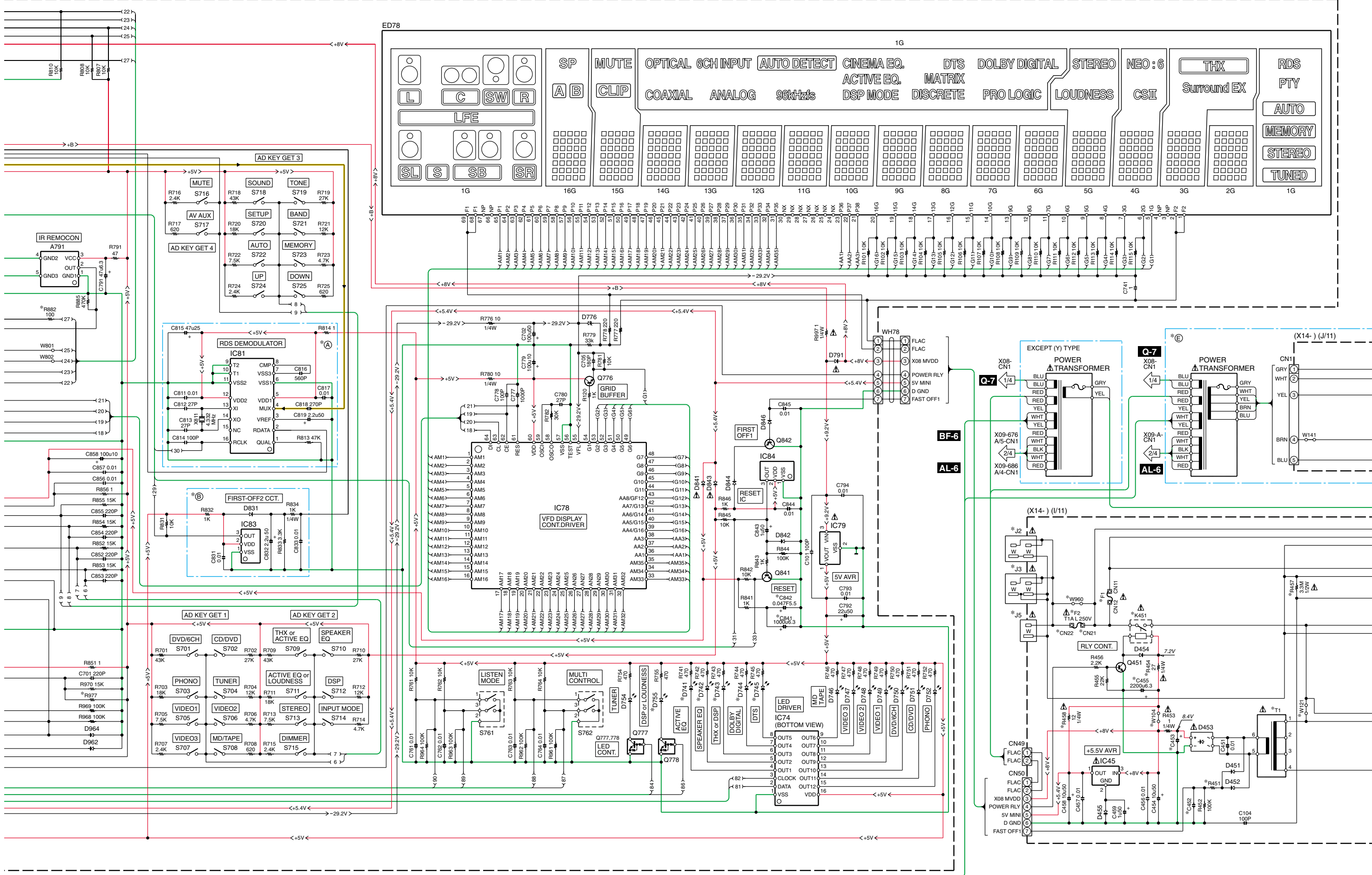
MODEL NAME	DESTINATION	COUNTRY	ABR.	UNIT No.	(A)	(B)	(D)	C694	C730	C732	L502	L503, L504	W359
VR-8070	U.S.A.	CANADA	P1	0-11	YES	YES	NO	YES	0.1	NO	YES	NO	YES
VR-8070-S	U.S.A.	CANADA	P2										
KRF-X9080D	PX	Y1	2-91	YES	NO	NO	NO	0.22	YES	NO	YES	NO	NO
KRF-X9080D-S	EUROPE	E1	2-71	YES	NO	NO	NO	0.22	YES	NO	YES	NO	NO
VR-8060-S	U.S.A.	CANADA	K3	0-10	NO	NO	YES	YES	NO	NO	YES	NO	NO

- (X13-7940-10)
- IC3 : BU4066BC
 - IC6, 401-404 : NJM4580D-D
 - IC11 : NJM2585M
 - IC65 : LA79510M
 - IC66 : NJM2284V
 - IC68, 69 : NJM2575
 - IC201 : BA05T
 - IC507 : NJM4565MD
 - IC508 : BA7623F
 - Q299 : 2SC1320, 403-408, 411, 412, 701, 702 : 2SC2878(B)
 - Q401, 402, 409 : KRA103M or DTA124ESA or UN4112
 - Q501, 502 : 2SC4213(B)
 - Q512 : 2SD1819A(Q,R) or 2SC4081(R,S)
 - Q703-706 : SA992(F,E)
 - Q707, 708, 711, 712 : 2SC2631
 - Q709, 710 : 2SA1123(R,S)
 - Q714 : 2SC1845(F,E)
 - Q716 : KTC3200
 - Q718 : TRAIT8N*5
 - Q720 : TRAIT8P*5
 - D101 : MTZJ10(B) or RD10E(S)(B)
 - D155-157 : RTZJ7.5(B) or RD7.5J(S)(B)
 - D201-206, 652, 701-704, 708, 710 : 1SS133 or HSS104A
 - D291 : MTZJ20(B) or RD20E(S)(B)
 - D292 : MTZJ30(B) or RD30E(S)(B)
 - D401 : MTZJ3.9(B) or RD3.9E(S)(B)
 - D402 : MTZJ5.1(B) or RD5.1E(S)(B)
 - D503 : DA204U or 1SS302
 - D655, 656 : MTZJ5.6(B) or RD5.6E(S)(B)
 - D706 : 1SS244

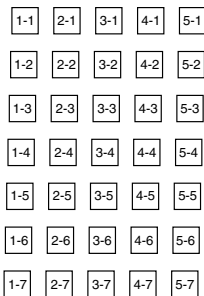
CAUTION: For continued safety, replace safety critical components only with manufacturer's recommended parts (refer to parts list). Δ indicates safety critical components. For continued protection against risk of fire, replace only with same type and rating fuse(s). To reduce the risk of electric shock, leakage-current or resistance measurements shall be carried out (exposed parts are acceptably insulated from the supply circuit) before the appliance is returned to the customer.

The DC voltage is an actual reading measured with a high impedance type voltmeter with no signal input. The measurement value may vary depending on the measuring instruments used or on the product.

(X14-7780-10) (A/11)



KRF-X9080D/VR-8070/8060

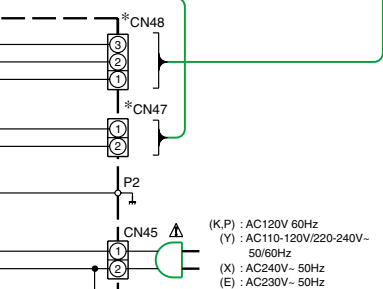
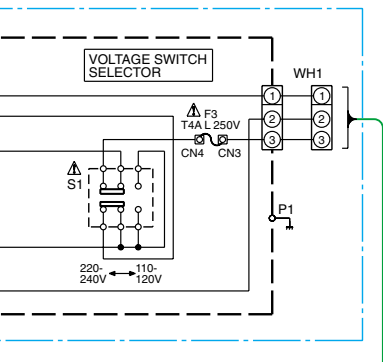


ANODE CONNECTION

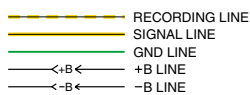
	1G	2G	3G	4G	5G	6-14G	15G	16G
P1	L	1-1	1-1	1-1	1-1	1-1	1-1	1-1
P2	C	2-1	2-1	2-1	2-1	2-1	2-1	2-1
P3	R	3-1	3-1	3-1	3-1	3-1	3-1	3-1
P4	SR	4-1	4-1	4-1	4-1	4-1	4-1	4-1
P5	SB	5-1	5-1	5-1	5-1	5-1	5-1	5-1
P6	SL	1-2	1-2	1-2	1-2	1-2	1-2	1-2
P7	S	2-2	2-2	2-2	2-2	2-2	2-2	2-2
P8	SW	3-2	3-2	3-2	3-2	3-2	3-2	3-2
P9	LFE	4-2	4-2	4-2	4-2	4-2	4-2	4-2
P10	(L)	5-2	5-2	5-2	5-2	5-2	5-2	5-2
P11	(C)	1-3	1-3	1-3	1-3	1-3	1-3	1-3
P12	(R)	2-3	2-3	2-3	2-3	2-3	2-3	2-3
P13	(SR)	3-3	3-3	3-3	3-3	3-3	3-3	3-3
P14	(SBR)	4-3	4-3	4-3	4-3	4-3	4-3	4-3
P15	(SBL)	5-3	5-3	5-3	5-3	5-3	5-3	5-3
P16	(SL)	1-4	1-4	1-4	1-4	1-4	1-4	1-4
P17	(SW)	2-4	2-4	2-4	2-4	2-4	2-4	2-4
P18	OPTICAL	3-4	3-4	3-4	3-4	3-4	3-4	3-4
P19	COAXIAL	4-4	4-4	4-4	4-4	4-4	4-4	4-4
P20	OGH INPUT	5-4	5-4	5-4	5-4	5-4	5-4	5-4
P21	ANALOG	1-5	1-5	1-5	1-5	1-5	1-5	1-5
P22	(AUTO DETECT)	2-5	2-5	2-5	2-5	2-5	2-5	2-5
P23	50Hz	3-5	3-5	3-5	3-5	3-5	3-5	3-5
P24	CINEMA EQ	4-5	4-5	4-5	4-5	4-5	4-5	4-5
P25	ACTIVE EQ	5-5	5-5	5-5	5-5	5-5	5-5	5-5
P26	DSP MODE	1-6	1-6	1-6	1-6	1-6	1-6	1-6
P27	DTS	2-6	2-6	2-6	2-6	2-6	2-6	2-6
P28	MATRIX	3-6	3-6	3-6	3-6	3-6	3-6	3-6
P29	DISCRETE	4-6	4-6	4-6	4-6	4-6	4-6	4-6
P30	DOLBY DIGITAL	5-6	5-6	5-6	5-6	5-6	5-6	5-6
P31	PRO LOGIC	1-7	1-7	1-7	1-7	1-7	1-7	1-7
P32		2-7	2-7	2-7	2-7	2-7	2-7	2-7
P33	RDS	3-7	3-7	3-7	3-7	3-7	3-7	3-7
P34	PTY	4-7	4-7	4-7	4-7	4-7	4-7	4-7
P35	AUTO	5-7	5-7	5-7	5-7	5-7	5-7	5-7
P36	MEMORY	—	THX	NEO:6	LOUDNESS	—	MUTE	SP
P37	STEREO	—	Surround EX	CSK	STEREO	—	CLIP	A
P38	TUNED	—	—	—	—	—	—	B

CAUTION: For continued safety, replace safety critical components only with manufacturer's recommended parts (refer to parts list). Δ indicates safety critical components. For continued protection against risk of fire, replace only with same type and rating fuse(s). To reduce the risk of electric shock, leakage-current or resistance measurements shall be carried out (exposed parts are acceptably insulated from the supply circuit) before the appliance is returned to the customer.

The DC voltage is an actual reading measured with a high impedance type voltmeter with no signal input. The measurement value may vary depending on the measuring instruments used or on the product.



(K,P) : AC120V 60Hz
 (Y) : AC110-120V/220-240V-50/60Hz
 (X) : AC240V-50Hz
 (E) : AC230V-50Hz



VR-8070 (4/4)
 KRF-X9080D (4/4)
 VR-8060-S (4/4)

(X14-7780-10)

MODEL NAME	DESTINATION COUNTRY ABB.	UNIT No.	(A)	(B)	(E)	(D)	C105	C452	C453	C455, 909	C841	C842	CN21, 22	CN47	CN48	D741-745, 755
VR-8060-S	U.S.A. K3	0-10	NO	NO	NO	NO	NO	0.1	3300u16	NO	YES	NO	NO	YES	NO	B30-2545-05
	CANADA P3															
VR-8070	U.S.A. K1	0-11	NO	NO	NO	NO	NO	0.1	3300u16	NO	YES	NO	NO	YES	NO	B30-2545-05
	CANADA P1															
VR-8070-S	U.S.A. K2															
	CANADA P2															
KRF-X9080D	EUROPE E1	2-71	YES	NO	YES	YES	0.039	3300u25	NO	NO	YES	YES	YES	NO	NO	B30-2651-05
	PX Y1	2-91	NO	YES	YES	NO	0.068	3300u25	YES	NO	YES	YES	NO	YES	NO	B30-2545-05
KRF-X9080D-S	AUSTRALIA X1	0-71	NO	NO	YES	NO	0.047	3300u25	NO	NO	YES	YES	NO	YES	NO	B30-2545-05
	EUROPE E2	2-71	YES	NO	YES	YES	0.039	3300u25	NO	NO	YES	YES	YES	NO	NO	B30-2651-05

(X14-7780-10)

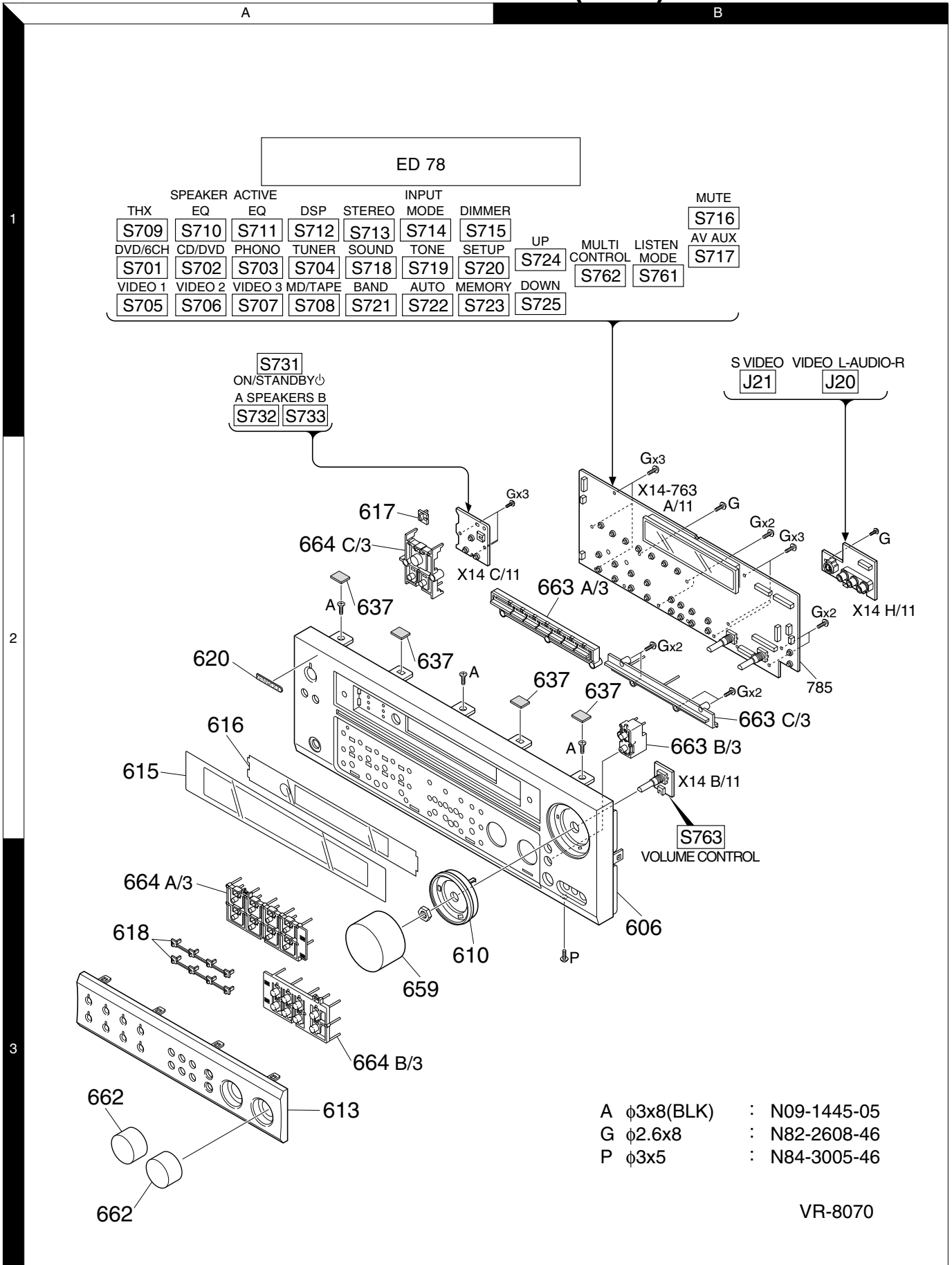
MODEL NAME	DESTINATION COUNTRY ABB.	UNIT No.	F1	F2	IC90	J2	J3	J5	K451	P1	R121	R451	R454	R457
VR-8060-S	U.S.A. K3	0-10	125V 10A	NO	MN101C49HNJ2	YES	NO	NO	S76-0107-05	NO	NO	39K	27	YES
	CANADA P3													
VR-8070	U.S.A. K1	0-11	125V 10A	NO	MN101C49HNK	YES	NO	NO	S76-0107-05	NO	YES	39K	27	YES
	CANADA P1													
VR-8070-S	U.S.A. K2													
	CANADA P2													
KRF-X9080D	EUROPE E1	2-71	250V T4AL	YES	MN101C49HNK	NO	YES	NO	S76-0110-05	NO	YES	130K	27	NO
	PX Y1	2-91	250V T4AL	YES	MN101C49HNK	YES	NO	NO	S76-0110-05	YES	YES	18K	15	NO
KRF-X9080D-S	AUSTRALIA X1	0-71	250V T4AL	YES	MN101C49HNK	NO	NO	YES	S76-0110-05	NO	YES	150K	27	NO
	EUROPE E2	2-71	250V T4AL	YES	MN101C49HNK	NO	YES	NO	S76-0110-05	NO	YES	130K	27	NO

(X14-7780-10)

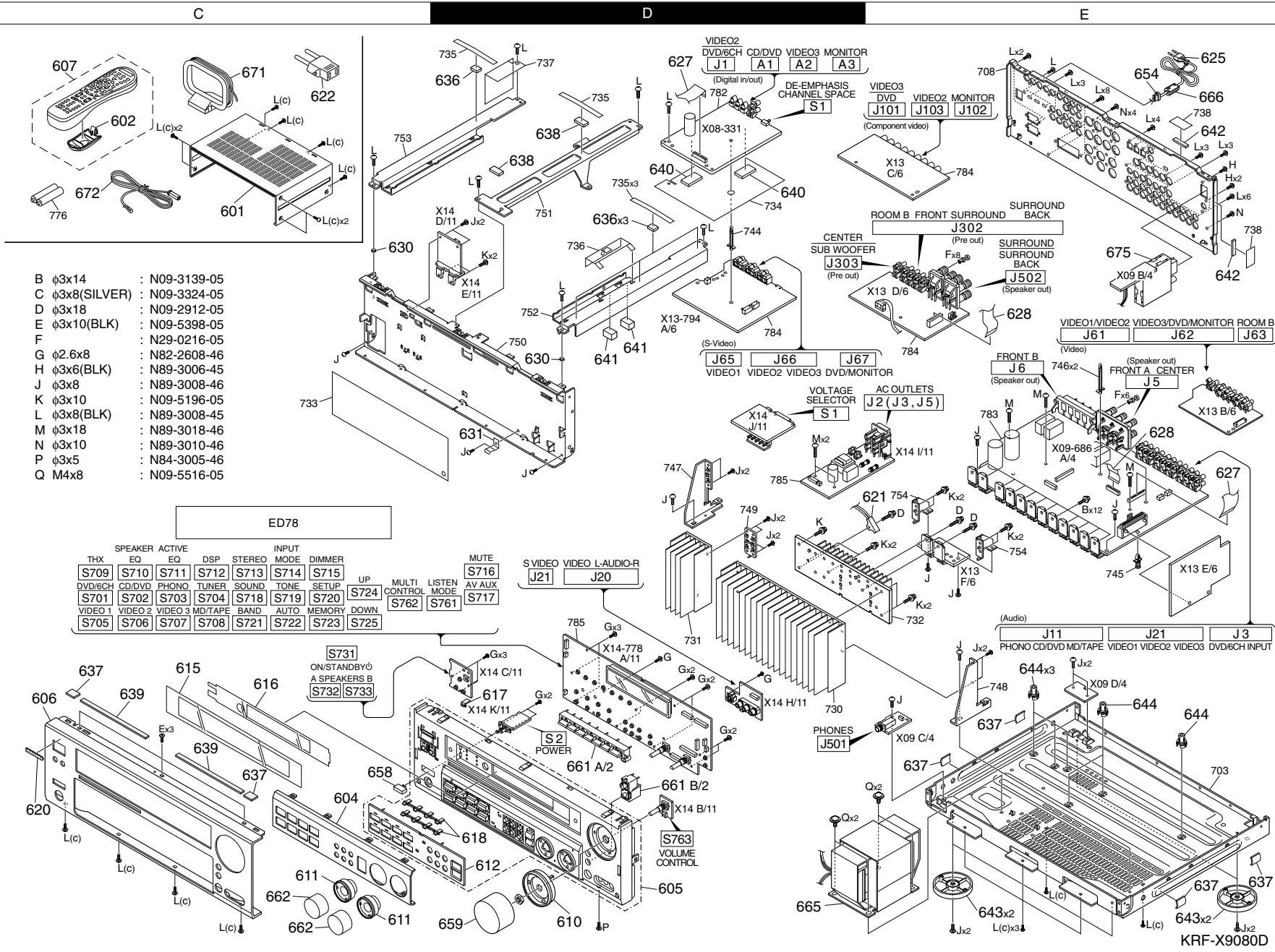
MODEL NAME	DESTINATION COUNTRY ABB.	UNIT No.	R458, 836	R831, 835, 906	R882	R902	R914	R977	T1	W104	W121	W960	WH5	WH86
VR-8060-S	U.S.A. K3	0-10	NO	NO	NO	NO	NO	NO	L07-2809-05	YES	YES	YES	NO	NO
	CANADA P3													
VR-8070	U.S.A. K1	0-11	NO	NO	YES	NO	NO	NO	L07-2809-05	YES	YES	YES	NO	NO
	CANADA P1													
VR-8070-S	U.S.A. K2													
	CANADA P2													
KRF-X9080D	EUROPE E1	2-71	NO	NO	NO	YES	YES	27K	L07-2761-05	YES	NO	NO	YES	YES
	PX Y1	2-91	YES	YES	NO	YES	NO	12K	L07-2805-05	NO	NO	NO	YES	NO
KRF-X9080D-S	AUSTRALIA X1	0-71	NO	YES	NO	YES	NO	4.7K	L07-2758-05	YES	NO	NO	YES	NO
	EUROPE E2	2-71	NO	NO	NO	YES	YES	27K	L07-2761-05	YES	NO	NO	YES	YES

KRF-X9080D/VR-8070/8060

EXPLODED VIEW (UNIT)



Parts with exploded numbers larger than 700 are not supplied.



- B ϕ 3x14 : N09-3139-05
- C ϕ 3x8(SILVER) : N09-3324-05
- D ϕ 3x18 : N09-2912-05
- E ϕ 3x10(BLK) : N09-5398-05
- F : N29-0216-05
- G ϕ 2.6x8 : N82-2608-46
- H ϕ 3x6(BLK) : N89-3006-45
- J ϕ 3x8 : N89-3008-46
- K ϕ 3x10 : N09-5196-05
- L ϕ 3x8(BLK) : N89-3008-45
- M ϕ 3x18 : N89-3018-46
- N ϕ 3x10 : N89-3010-46
- P ϕ 3x5 : N84-3005-46
- Q M4x8 : N09-5516-05

ED78												
THX	SPEAKER	ACTIVE	EQ	DSP	STEREO	INPUT	DIMMER					MUTE
S709	S710	S711	S712	S713	S714	S715	S716	UP	MULTI	LISTEN	S717	
DVD/6CH	CD/DVD	PHONO	TUNER	SOUND	MODE	SETUP	AV AUX	S724	CONTROL	MODE	S718	
S701	S702	S703	S704	S718	S719	S720	S721	S722	S723	S725	S719	
VIDEO1	VIDEO2	VIDEO3	MD/TAPE	BAND	AUTO	MEMORY	DOWN					S723
S705	S706	S707	S708	S721	S722	S723	S725					S725

S731 ON/STANDBY ϕ A SPEAKERS B S732 S733

KRF-X9080D

* New Parts

Parts without **Parts No.** are not supplied.
Les articles non mentionnés dans le **Parts No.** ne sont pas fournis.
Teile ohne **Parts No.** werden nicht geliefert.

①

Ref. No	Address	New Parts	Parts No.	Description	Destination	Remarks
KRF-X9080D/VR-8070/VR-8060						
601	1C	*	A01-3935-01	METALLIC CABINET	K1P1	
601	1C	*	A01-3936-01	METALLIC CABINET	7K2P2	
601	1C	*	A01-3937-01	METALLIC CABINET	Y1E1	
601	1C	*	A01-3938-01	METALLIC CABINET	X1E2	
602	1C	*	A09-1274-08	BATTERY COVER		
604	2C		A21-3982-12	DRESSING PANEL	Y1E1	
604	2C		A21-3983-12	DRESSING PANEL	X1E2	
605	2D		A22-1873-01	SUB PANEL ASSY	Y1E1	
605	2D		A22-1874-01	SUB PANEL ASSY	X1E2	
606	2B	*	A60-2378-01	PANEL	7	
606	2B	*	A60-2383-11	PANEL	K1P1	
606	2B	*	A60-2384-11	PANEL	K2P2	
606	2C	*	A60-2408-02	PANEL	Y1E1	
606	2C	*	A60-2409-02	PANEL	X1E2	
607	1C		A70-1620-05	REMOTE CONTROLLER ASSY	Y1X1	
607	1C		A70-1621-05	REMOTE CONTROLLER ASSY	E1E2	
607	1C	*	A70-1622-05	REMOTE CONTROLLER ASSY	7	
607	1C	*	A70-1659-05	REMOTE CONTROLLER ASSY	9	
-		*	B60-5453-00	INST. MANUAL (EN)	9	
-		*	B60-5454-00	INST. MANUAL EN,FR,GE,NE,IT,ES E1E2		
-		*	B60-5455-00	INST. MANUAL (EN)	Y1X1	
-		*	B60-5457-00	INST. MANUAL (FR)	P1P2	
-		*	B60-5470-00	INST. MANUAL (EN)	7	
-		*	B60-5471-00	INST. MANUAL (FR)	P3	
-		*	B60-5472-00	INST. MANUAL (TC)	Y1	
610	2D		B07-2606-03	ESCUTCHEON	E1	
610	3A,2D		B07-2606-03	ESCUTCHEON	K1P1Y1	
610	2D		B07-2607-03	ESCUTCHEON		
610	3A		B07-2607-03	ESCUTCHEON	7K2P2	
611	2C		B07-2608-03	ESCUTCHEON	Y1E1	
611	2C		B07-2609-03	ESCUTCHEON	X1E2	
612	2D		B07-2619-13	ESCUTCHEON	Y1E1	
612	2D		B07-2620-13	ESCUTCHEON	X1E2	
613	3A		B07-2689-01	ESCUTCHEON	K1P1	
613	3A	*	B07-2690-01	ESCUTCHEON	7K2P2	
615	2A	*	B10-5508-02	FRONT GLASS	K2P2	
615	2A	*	B10-5509-02	FRONT GLASS	K11P1	
615	2A	*	B10-5510-02	FRONT GLASS	7	
615	2C	*	B10-5513-02	FRONT GLASS	E1	
615	2C	*	B10-5525-02	FRONT GLASS	E2	
615	2C	*	B10-5528-02	FRONT GLASS	X1	
615	2C	*	B10-5529-02	FRONT GLASS	Y1	
616	2A	*	B11-1598-03	COLOR FILTER	7	
616	2A,2C	*	B11-1600-03	COLOR FILTER	89	
617	2D		B12-0440-04	INDICATOR	8	
617	2A		B12-0484-14	INDICATOR	79	
618	2D		B12-0442-04	INDICATOR	8	
618	3A		B12-0486-03	INDICATOR	79	
620	2A,2C		B43-0336-04	BADGE		
622	1C		E03-0508-05	AC PLUG ADAPTER	Y1	
625	1E		E30-2717-05	AC POWER CORD	X1	
625	1E		E30-2941-05	AC POWER CORD	79	

L : Scandinavia K : USA P : Canada R : Mexico C : China I : Malaysia
Y : PX(Far East,Hawaii) T : England E : Europe G : Germany V : China(Shanghai)
Y : AAFES(Europe) X : Australia Q : Russia H : Korea M : Other Areas Δ indicates safety critical components.

* New Parts

Parts without **Parts No.** are not supplied.
Les articles non mentionnés dans le **Parts No.** ne sont pas fournis.
Teile ohne **Parts No.** werden nicht geliefert.

②

Ref. No	Address	New Parts	Parts No.	Description	Destination	Remarks
625	1E		E30-2942-05	AC POWER CORD	E1E2	
625	1E	*	E30-7312-05	AC POWER CORD	Y1	
627	1D,1E		E35-3216-05	FLAT CABLE (21P,180MM)		
628	1E		E35-3675-05	FLAT CABLE (19P,220MM)	7	
628	1E	*	E35-3694-05	FLAT CABLE (21P,220MM)	89	
630	1C,1D		F29-0134-04	INSULATING WASHER		
631	1D		G02-1748-04	FLAT SPRING		
636	1D		G11-2416-04	CUSHION	8	
637	2C,2E		G11-2885-04	CUSHION		
638	1D		G11-2886-04	CUSHION		
639	2C		G11-2887-04	CUSHION	8	
640	1D		G11-2916-04	CUSHION		
641	1D		G11-2958-04	CUSHION	89	
642	1E	*	G11-2959-04	CUSHION	79	
-			H10-7888-02	POLYSTYRENE FOAMED FIXTURE		
-			H10-7890-02	POLYSTYRENE FOAMED FIXTURE		
-			H25-0232-04	PROTECTION BAG (235X350X0.03)		
-			H25-0391-04	PROTECTION BAG		
-		*	H50-4912-24	ITEM CARTON CASE	K1P1	
-		*	H50-4913-24	ITEM CARTON CASE	K2P2	
-		*	H50-4914-04	ITEM CARTON CASE	E1	
-		*	H50-4915-04	ITEM CARTON CASE	E2	
-		*	H50-4916-04	ITEM CARTON CASE	X1	
-		*	H50-4917-04	ITEM CARTON CASE	Y1	
-		*	H50-4918-14	ITEM CARTON CASE	7	
643	2E		J02-1532-03	FOOT		
644	2E		J19-3751-04	UNIT HOLDER		
654	1E		J42-0349-05	POWER CORD BUSHING		
658	2C		K27-2384-04	BUTTON KNOB	Y1E1	
658	2C		K27-2481-04	BUTTON KNOB	X1E2	
659	3A		K29-8104-04	KNOB	7	
659	3A,2D		K29-8267-04	KNOB	K1P1Y1	
659	3A		K29-8268-04	KNOB	K2P2	
659	2D		K29-8268-04	KNOB	X1E2	
659	2D		K29-8269-04	KNOB	E1	
661	2D		K29-8136-03	KNOB ASSY	Y1E1	
661	2D		K29-8137-03	KNOB ASSY	X1E2	
662	2C		K29-8271-04	KNOB	Y1E1	
662	2C		K29-8272-04	KNOB	X1E2	
662	3A		K29-8352-14	KNOB	K1P1	
662	3A		K29-8353-04	KNOB	7K2P2	
663	2B		K29-8358-13	KNOB ASSY	K1P1	
663	2B	*	K29-8362-03	KNOB ASSY	7K2P2	
664	2A,3A		K29-8364-11	KNOB	K1P1	
664	2A,3A	*	K29-8365-01	KNOB	7K2P2	
665	2D		L07-3138-05	POWER TRANSFORMER	7	
665	2D	*	L07-3285-15	POWER TRANSFORMER	9	
665	2D	*	L07-3286-15	POWER TRANSFORMER	E1E2	
665	2D	*	L07-3287-15	POWER TRANSFORMER	X1	
665	2D	*	L07-3288-15	POWER TRANSFORMER	Y1	
666	1E		L92-0579-05	FERRITE CORE	E1E2	

L : Scandinavia K : USA P : Canada R : Mexico C : China I : Malaysia
Y : PX(Far East,Hawaii) T : England E : Europe G : Germany V : China(Shanghai)
Y : AAFES(Europe) X : Australia Q : Russia H : Korea M : Other Areas Δ indicates safety critical components.

KRF-X9080D/VR-8070/8060
PARTS LIST

* New Parts
 Parts without **Parts No.** are not supplied.
 Les articles non mentionnés dans le **Parts No.** ne sont pas fournis.
 Teile ohne **Parts No.** werden nicht geliefert.

3

Ref. No	Add-ress	New Parts	Parts No.	Description	Desti-nation	Re-marks
671	1C		T90-0893-05	LOOP ANTENNA		
672	1C		T90-0877-05	LEAD WIRE ANTENNA	8	
672	1C		T90-0905-05	LEAD WIRE ANTENNA	79	
621	2E		DP40203SG270	THERMISTOR	8	
675	1E		W02-2974-15	TUNER ASSY	79	
675	1E		W02-2975-05	TUNER ASSY	Y1X1	
675	1E		W02-2976-05	TUNER ASSY	E1E2	
SURROUND (X08-3310-11)						
C1	.2		CK73GB1H472K	CHIP C	4700PF	K
C3	.4		CC73GCH1H220J	CHIP C	22PF	J
C5	.6		CE04KW1E470M	ELECTRO	47UF	25WV
C7			CE04KW1H100M	ELECTRO	10UF	50WV
C8	.9		CC73GCH1H221J	CHIP C	220PF	J
C11			CK73GB1C104K	CHIP C	0.10UF	K
C12			CK73GB1A474K	CHIP C	0.47UF	K
C13	.14		CK73GB1C104K	CHIP C	0.10UF	K
C15			CK73GB1H102K	CHIP C	1000PF	K
C16			CK73GB1H103K	CHIP C	0.010UF	K
C41			CK73GB1C104K	CHIP C	0.10UF	K
C42			CK73GB1H103K	CHIP C	0.010UF	K
C43			CE04KW1H2R2M	ELECTRO	2.2UF	50WV
C44	.45		CK73GB1C104K	CHIP C	0.10UF	K
C46			CE04KW1E470M	ELECTRO	47UF	25WV
C47	.48		CE04KW1H4R7M	ELECTRO	4.7UF	50WV
C49			CE04KW1H100M	ELECTRO	10UF	50WV
C50	.51		CK73GB1H103K	CHIP C	0.010UF	K
C57	.58		CC73GSL1H471J	CHIP C	470PF	J
C61	.62		CC73GCH1H080D	CHIP C	8.0PF	D
C63			CK73GB1H102K	CHIP C	1000PF	K
C64			CK73GB1C563K	CHIP C	0.056UF	K
C65			CE04KW1E470M	ELECTRO	47UF	25WV
C66			CC73GCH1H220J	CHIP C	22PF	J
C79			CK73FB1H103K	CHIP C	0.010UF	K
C80			CK73FB1E104K	CHIP C	0.10UF	K
C81			CK73GB1C104K	CHIP C	0.10UF	K
C82			CE04KW1H100M	ELECTRO	10UF	50WV
C83	.84		CK73GB1C104K	CHIP C	0.10UF	K
C85			CE04KW1H100M	ELECTRO	10UF	50WV
C88			CE04KW1H100M	ELECTRO	10UF	50WV
C89			CK73FB1E104K	CHIP C	0.10UF	K
C90			CK73GB1C104K	CHIP C	0.10UF	K
C91			CE04KW1H100M	ELECTRO	10UF	50WV
C92			CK73FB1E104K	CHIP C	0.10UF	K
C93			CK73GB1C104K	CHIP C	0.10UF	K
C94			CE04KW1H100M	ELECTRO	10UF	50WV
C95			CK73FB1C105K	CHIP C	1.0UF	K
C96			CK73GB1C104K	CHIP C	0.10UF	K
C97			CE04KW1A101M	ELECTRO	100UF	10WV
C98			CK73FB1E104K	CHIP C	0.10UF	K
C99			CK73FB1H103K	CHIP C	0.010UF	K
C100			CE04KW1C472M	ELECTRO	4700UF	16WV
C101	.102		CE04KW1H100M	ELECTRO	10UF	50WV
C103-106			CK73GB1H182K	CHIP C	1800PF	K

L : Scandinavia K : USA P : Canada R : Mexico C : China I : Malaysia
 Y : PX(Far East,Hawaii) T : England E : Europe G : Germany V : China(Shanghai)
 Y : AAFES(Europe) X : Australia Q : Russia H : Korea M : Other Areas ⚠ indicates safety critical components.

* New Parts
 Parts without **Parts No.** are not supplied.
 Les articles non mentionnés dans le **Parts No.** ne sont pas fournis.
 Teile ohne **Parts No.** werden nicht geliefert.

4

Ref. No	Add-ress	New Parts	Parts No.	Description	Desti-nation	Re-marks
C109			CC73GCH1H101J	CHIP C	100PF	J
C110			CK73GB1H103K	CHIP C	0.010UF	K
C121,122			CE04KW1H100M	ELECTRO	10UF	50WV
C123,124			CK73GB1H222K	CHIP C	2200PF	K
C125,126			CK73GB1H821K	CHIP C	820PF	K
C129			CC73GCH1H101J	CHIP C	100PF	J
C130			CK73GB1H103K	CHIP C	0.010UF	K
C141,142			CE04KW1H100M	ELECTRO	10UF	50WV
C143-146			CK73GB1H182K	CHIP C	1800PF	K
C149			CC73GCH1H101J	CHIP C	100PF	J
C150			CK73GB1H103K	CHIP C	0.010UF	K
C161,162			CE04KW1H100M	ELECTRO	10UF	50WV
C163			CK73GB1H182K	CHIP C	1800PF	K
C164			CK73GB1H822K	CHIP C	8200PF	K
C165			CK73GB1H182K	CHIP C	1800PF	K
C166			CK73GB1H822K	CHIP C	8200PF	K
C169			CC73GCH1H101J	CHIP C	100PF	J
C170			CK73GB1H103K	CHIP C	0.010UF	K
C181,182			CC73GCH1H220J	CHIP C	22PF	J
C189			CC73GCH1H101J	CHIP C	100PF	J
C190			CK73GB1H103K	CHIP C	0.010UF	K
C191-196			CE04KW1H4R7M	ELECTRO	4.7UF	50WV
C197			CC73GCH1H102J	CHIP C	1000PF	J
C198			CC73GCH1H101J	CHIP C	100PF	J
C261,262			CE04KW1H100M	ELECTRO	10UF	50WV
C263,264			CC73GCH1H220J	CHIP C	22PF	J
C265,266			CE04KW1H4R7M	ELECTRO	4.7UF	50WV
C267			CC73GCH1H101J	CHIP C	100PF	J
C268			CK73GB1H103K	CHIP C	0.010UF	K
C501-528			CK73GB1H103K	CHIP C	0.010UF	K
C529			CE04KW1H100M	ELECTRO	10UF	50WV
C530-543			CK73GB1H103K	CHIP C	0.010UF	K
C544,545			CK73GB1C104K	CHIP C	0.10UF	K
C546-553			CK73GB1H103K	CHIP C	0.010UF	K
C554			CK73GB1C104K	CHIP C	0.10UF	K
C555			CK73GB1H103K	CHIP C	0.010UF	K
C556-558			CK73GB1H102K	CHIP C	1000PF	K
C560			CK73GB1H103K	CHIP C	0.010UF	K
C561,562			CC73GCH1H101J	CHIP C	100PF	J
C563-565			CK73GB1H103K	CHIP C	0.010UF	K
C567-570			CK73GB1H103K	CHIP C	0.010UF	K
C571,572			CC73GCH1H150J	CHIP C	15PF	J
C573			CK73GB1H102K	CHIP C	1000PF	K
C574			CK73GB1H103K	CHIP C	0.010UF	K
CN1			E40-3246-05	PIN ASSY		
CN2			E40-3254-05	PIN ASSY		
CN3			E40-3257-05	PIN ASSY		
CN4			E40-8484-05	FLAT CABLE CONNECTOR		
CN5			E40-3247-05	PIN ASSY		
J1			E63-1080-05	PIN JACK		
L1	.2		L92-0510-05	CHIP FERRITE		
L3	.5		L92-0578-05	CHIP FERRITE		
X6			L77-2419-05	CRYSTAL RESONATOR(24.576MHZ)		
X51			L77-2420-05	CRYSTAL RESONATOR(18.75MHZ)		

L : Scandinavia K : USA P : Canada R : Mexico C : China I : Malaysia
 Y : PX(Far East,Hawaii) T : England E : Europe G : Germany V : China(Shanghai)
 Y : AAFES(Europe) X : Australia Q : Russia H : Korea M : Other Areas ⚠ indicates safety critical components.

* New Parts

Parts without **Parts No.** are not supplied.
Les articles non mentionnés dans le **Parts No.** ne sont pas fournis.
Teile ohne **Parts No.** werden nicht geliefert.

5

Ref. No	Address	New Parts	Parts No.	Description	Quantity	Unit	Desti-nation	Re-marks
CP51-66			R90-1033-05	MULTI-COMP	22	X4		
CP71-75			R90-0728-05	MULTI-COMP	180	X4		
R1 ,2			RK73GB1J101J	CHIP R	100	J	1/16W	
R3			R92-1946-05	METAL GLAZE	4.7	J	1/4W	
R4			RK73GB1J471J	CHIP R	470	J	1/16W	
R5 ,6			R92-1946-05	METAL GLAZE	4.7	J	1/4W	
R7 ,8			RK73GB1J750J	CHIP R	75	J	1/16W	
R11 ,12			RK73GB1J101J	CHIP R	100	J	1/16W	
R21			RK73GB1J183J	CHIP R	18K	J	1/16W	
R23			RK73GB1J330J	CHIP R	33	J	1/16W	
R24 -26			RK73GB1J101J	CHIP R	100	J	1/16W	
R27			RK73GB1J104J	CHIP R	100K	J	1/16W	
R30			RK73GB1J330J	CHIP R	33	J	1/16W	
R31			RK73GB1J101J	CHIP R	100	J	1/16W	
R32			RK73GB1J102J	CHIP R	1.0K	J	1/16W	
R33			RK73GB1J181J	CHIP R	180	J	1/16W	
R41			RK73GB1J330J	CHIP R	33	J	1/16W	
R42			RK73GB1J104J	CHIP R	100K	J	1/16W	
R43			RK73GB1J101J	CHIP R	100	J	1/16W	
R44 -49			RK73GB1J100J	CHIP R	10	J	1/16W	
R50			RK73GB1J181J	CHIP R	180	J	1/16W	
R51			RK73GB1J100J	CHIP R	10	J	1/16W	
R52			R92-1946-05	METAL GLAZE	4.7	J	1/4W	
R55 ,56			RK73GB1J471J	CHIP R	470	J	1/16W	
R61 ,62			RK73GB1J105J	CHIP R	1.0M	J	1/16W	
R63			RK73GB1J221J	CHIP R	220	J	1/16W	
R64			RK73FB2A2R2J	CHIP R	2.2	J	1/10W	
R65			RK73GB1J330J	CHIP R	33	J	1/16W	
R81			R92-1960-05	METAL GLAZE	2.2	J	1/4W	
R82 ,83			R92-1918-05	CHIP R	0.33	J	1/4W	
R84			RS14KB3D680J	FL-PROOF RS	68	J	2W	
R85			RS14KB3D560J	FL-PROOF RS	56	J	2W	
R86			RS14KB3D3R3J	FL-PROOF RS	3.3	J	2W	
R86			RS14KB3D3R9J	FL-PROOF RS	3.9	J	2W	
R87			RS14KB3D3R3J	FL-PROOF RS	3.3	J	2W	
R88			RS14KB3D2R2J	FL-PROOF RS	2.2	J	2W	
R89			RK73GB1J202J	CHIP R	2.0K	J	1/16W	
R90 ,91			RK73GB1J103J	CHIP R	10K	J	1/16W	
R92			RK73GB1J152J	CHIP R	1.5K	J	1/16W	
R93			RK73GB1J102J	CHIP R	1.0K	J	1/16W	
R94			RK73GB1J472J	CHIP R	4.7K	J	1/16W	
R95			RK73GB1J473J	CHIP R	4.7K	J	1/16W	
R96 ,97			RK73GB1J221J	CHIP R	220	J	1/16W	
R98			R92-1918-05	CHIP R	0.33	J	1/4W	
R101,102			RK73GB1J104J	CHIP R	100K	J	1/16W	
R103,104			RK73GB1J222J	CHIP R	2.2K	J	1/16W	
R105,106			RK73GB1J102J	CHIP R	1.0K	J	1/16W	
R107,108			RK73GB1J103J	CHIP R	10K	J	1/16W	
R109,110			RK73GB1J472J	CHIP R	4.7K	J	1/16W	
R111,112			RK73GB1J221J	CHIP R	220	J	1/16W	
R121,122			RK73GB1J104J	CHIP R	100K	J	1/16W	
R123,124			RK73GB1J332J	CHIP R	3.3K	J	1/16W	
R125,126			RK73GB1J911J	CHIP R	910	J	1/16W	
R127,128			RK73GB1J272J	CHIP R	2.7K	J	1/16W	
R129,130			RK73GB1J562J	CHIP R	5.6K	J	1/16W	

L : Scandinavia K : USA P : Canada R : Mexico C : China I : Malaysia
Y : PX(Far East,Hawaii) T : England E : Europe G : Germany V : China(Shanghai)
Y : AAFES(Europe) X : Australia Q : Russia H : Korea M : Other Areas Δ indicates safety critical components .

* New Parts

Parts without **Parts No.** are not supplied.
Les articles non mentionnés dans le **Parts No.** ne sont pas fournis.
Teile ohne **Parts No.** werden nicht geliefert.

6

Ref. No	Address	New Parts	Parts No.	Description	Quantity	Unit	Desti-nation	Re-marks
R131,132			RK73GB1J221J	CHIP R	220	J	1/16W	
R141,142			RK73GB1J104J	CHIP R	100K	J	1/16W	
R143,144			RK73GB1J222J	CHIP R	2.2K	J	1/16W	
R145,146			RK73GB1J102J	CHIP R	1.0K	J	1/16W	
R147,148			RK73GB1J103J	CHIP R	10K	J	1/16W	
R149,150			RK73GB1J472J	CHIP R	4.7K	J	1/16W	
R151,152			RK73GB1J221J	CHIP R	220	J	1/16W	
R161,162			RK73GB1J104J	CHIP R	100K	J	1/16W	
R163			RK73GB1J222J	CHIP R	2.2K	J	1/16W	
R164			RK73GB1J273J	CHIP R	27K	J	1/16W	
R165			RK73GB1J102J	CHIP R	1.0K	J	1/16W	
R166			RK73GB1J183J	CHIP R	18K	J	1/16W	
R167,168			RK73GB1J103J	CHIP R	10K	J	1/16W	
R169			RK73GB1J472J	CHIP R	4.7K	J	1/16W	
R170			RK73GB1J912J	CHIP R	9.1K	J	1/16W	
R171,172			RK73GB1J221J	CHIP R	220	J	1/16W	
R181,182			RK73GB1J102J	CHIP R	1.0K	J	1/16W	
R185-188			RK73GB1J562J	CHIP R	5.6K	J	1/16W	
R189,190			RK73GB1J101J	CHIP R	100	J	1/16W	
R201-208			RK73GB1J104J	CHIP R	100K	J	1/16W	
R209-212			RK73GB1J472J	CHIP R	4.7K	J	1/16W	
R213,214			RK73GB1J432J	CHIP R	4.3K	J	1/16W	
R215,216			RK73GB1J562J	CHIP R	5.6K	J	1/16W	
R217,218			RK73GB1J472J	CHIP R	4.7K	J	1/16W	
R219,220			RK73GB1J562J	CHIP R	5.6K	J	1/16W	
R261-264			RK73GB1J562J	CHIP R	5.6K	J	1/16W	
R265,266			RK73GB1J101J	CHIP R	100	J	1/16W	
R501,502			RK73GB1J330J	CHIP R	33	J	1/16W	
R503-506			RK73GB1J104J	CHIP R	100K	J	1/16W	
R507-509			RK73GB1J330J	CHIP R	33	J	1/16W	
R510			RK73GB1J104J	CHIP R	100K	J	1/16W	
R511,512			RK73GB1J330J	CHIP R	33	J	1/16W	
R513-515			RK73GB1J104J	CHIP R	100K	J	1/16W	
R516			RK73GB1J101J	CHIP R	100	J	1/16W	
R517			RK73GB1J220J	CHIP R	22	J	1/16W	
R518			RK73FB2A100J	CHIP R	10	J	1/10W	
R521			RK73GB1J472J	CHIP R	4.7K	J	1/16W	
R523,524			RK73GB1J472J	CHIP R	4.7K	J	1/16W	
R525,526			RK73GB1J220J	CHIP R	22	J	1/16W	
R527			RK73GB1J101J	CHIP R	100	J	1/16W	
R528-530			RK73GB1J472J	CHIP R	4.7K	J	1/16W	
R532-534			RK73GB1J472J	CHIP R	4.7K	J	1/16W	
R536			RK73GB1J103J	CHIP R	10K	J	1/16W	
R537-540			RK73GB1J472J	CHIP R	4.7K	J	1/16W	
R541-550			RK73GB1J100J	CHIP R	10	J	1/16W	
R551			RK73GB1J104J	CHIP R	100K	J	1/16W	
R552			RK73GB1J102J	CHIP R	1.0K	J	1/16W	
R553,554			RK73GB1J100J	CHIP R	10	J	1/16W	
R560-567			RK73GB1J472J	CHIP R	4.7K	J	1/16W	
R571			RK73GB1J105J	CHIP R	1.0M	J	1/16W	
R572			RK73GB1J101J	CHIP R	100	J	1/16W	
R573			RK73GB1J105J	CHIP R	1.0M	J	1/16W	
S1			S62-0034-05	SLIDE SWITCH				Y1

L : Scandinavia K : USA P : Canada R : Mexico C : China I : Malaysia
Y : PX(Far East,Hawaii) T : England E : Europe G : Germany V : China(Shanghai)
Y : AAFES(Europe) X : Australia Q : Russia H : Korea M : Other Areas Δ indicates safety critical components .

KRF-X9080D/VR-8070/8060
PARTS LIST

* New Parts
Parts without **Parts No.** are not supplied.
Les articles non mentionnés dans le **Parts No.** ne sont pas fournis.
Teile ohne **Parts No.** werden nicht geliefert.

⑦

Ref. No	Address	New Parts	Parts No.	Description	Destination	Remarks
D1 D2 ,3 D4 D5 D6 ,7			D2SBA20F03 MA111 MA111 UDZ5.6B UDZ3.9B	DIODE DIODE DIODE ZENER DIODE ZENER DIODE		
D8 D9 D10 D11 ,12 D13 -16			1SR154-400 UDZ3.9B UDZ5.1B DAN202U MA111	DIODE ZENER DIODE ZENER DIODE DIODE DIODE		
D17 D41 D42 D51 IC1			1SR154-400 DAP202U DAN202U MA111 AK4114VQ	DIODE DIODE DIODE DIODE MOS-IC		
IC2 IC2 IC2 IC6 IC10			AK4529-VQ AK4628-VQ AK4628A-VQ TC7WU04FU NJM4565M	MOS-IC MOS-IC MOS-IC MOS-IC ANALOGUE IC		
IC10 IC12 IC12 IC14 IC14			NJM4565MD NJM4565M NJM4565MD NJM4565M NJM4565MD	ANALOGUE IC ANALOGUE IC ANALOGUE IC ANALOGUE IC ANALOGUE IC		
IC16 IC16 IC18 IC18 IC18			NJM4565M NJM4565MD NJM4565M NJM4565MD NJM5532MD	ANALOGUE IC ANALOGUE IC ANALOGUE IC ANALOGUE IC ANALOGUE IC	7 7 89	
IC19 IC19 IC19 IC19 IC20			NJM4565M NJM4565M NJM4565M NJM4565MD NJU7311AM	ANALOGUE IC ANALOGUE IC ANALOGUE IC ANALOGUE IC MOS-IC		
IC21,22 IC23 IC24 IC26 IC50 IC50			BA033T BA05T XC6201P332PR SI-3010KM ADSST-AVR-1040	ANALOGUE IC ANALOGUE IC ANALOGUE IC ANALOGUE IC MOS-IC	89	
IC51 IC51-53 IC51-53 IC54 IC54		*	ADSST-AVR-1050 SN74LVC573APWR TC74LCX573FT SN74LVC245APWR TC74LCX245FT	MOS-IC MOS-IC MOS-IC MOS-IC MOS-IC	7	
IC55 IC56 IC57 IC57 IC58			SN74LVC2G125T3 SN74LVC139APWR SN74LVC1G08DC3 TC7SA08FU SN74LVC1G32DC3	MOS-IC MOS-IC MOS-IC MOS-IC MOS-IC		
IC59 IC59 IC60 IC61 IC62		*	A29L800TV70KB0 A29L800TV70KC1 K6R4008V1DUC10 TC74VHC125FT TC74HCT7007AF	ROM IC ROM IC SRAM IC MOS-IC MOS-IC	7 89	

L : Scandinavia K : USA P : Canada R : Mexico C : China I : Malaysia
Y : PX(Far East,Hawaii) T : England E : Europe G : Germany V : China(Shanghai)
Y : AAFES(Europe) X : Australia Q : Russia H : Korea M : Other Areas Δ indicates safety critical components.

* New Parts
Parts without **Parts No.** are not supplied.
Les articles non mentionnés dans le **Parts No.** ne sont pas fournis.
Teile ohne **Parts No.** werden nicht geliefert.

⑧

Ref. No	Address	New Parts	Parts No.	Description	Destination	Remarks
IC63 Q1 Q2 Q51			SN74LVC1G32DC3 2SB1218A(O,R) 2SD1819A(O,R) 2SC4081(R,S)	MOS-IC TRANSISTOR TRANSISTOR TRANSISTOR		
A1 ,2 A3		*	W02-4524-05 W02-4540-05	OPTIC RECEIVING MODULE OSCILLATING MODULE		
AUDIO (X09-6860-10) KRF-X9080D/VR-8070						
C1 ,2 C3 ,4 C5 ,6 C7 ,8 C9 ,10			CC45FSL1H221J CE04KW1H100M CC45FSL1H221J CE04KW1A101M CC45FSL1H271J	CERAMIC ELECTRO CERAMIC ELECTRO CERAMIC	220PF 10UF 220PF 100UF 270PF	J 50WV J 10WV J
C11 ,12 C13 ,14 C15 ,16 C17 ,18 C19 -38			CQ93FMG1H123J CK45FB1H332K CE04KW1H4R7M CC45FSL1H101J CC45FSL1H221J	MYLAR CERAMIC ELECTRO CERAMIC CERAMIC	0.012UF 3300PF 4.7UF 100PF 220PF	J K 50WV J J
C39 C40 C41 C42 C44 ,45			CC45FSL1H101J CK45FF1H103Z CK45FF1H103Z CK45FF1H103Z CE04KW1E470M	CERAMIC CERAMIC CERAMIC CERAMIC ELECTRO	100PF 0.010UF 0.010UF 0.010UF 47UF	J Z Z Z 25WV
C46 ,47 C51 -54 C55 ,56 C57 ,58 C62 ,63			CQ93FMG1H823J C91-1573-05 CQ93FMG1H272J CE04KW1H2R2M CE04KW1H3R3M	MYLAR MP-C MYLAR ELECTRO ELECTRO	0.082UF 0.10UF 2700PF 2.2UF 3.3UF	J J J 50WV 50WV
C64 ,65 C66 ,67 C68 C69 C70 ,71			CE04KW2A3R3M CC45FSL1H331J CC45FCH1H070D CC45FCH1H080D CK45FB1H222K	ELECTRO CERAMIC CERAMIC CERAMIC CERAMIC	3.3UF 330PF 7.0PF 8.0PF 2200PF	100WV J D D K
C72 ,73 C74 ,75 C76 ,77 C78 ,79 C84 ,85			CC45FSL1H101J CE04KW1A221M CC45FCH1H150J CK45FB1H561K CE04KW1E470M	CERAMIC ELECTRO CERAMIC CERAMIC ELECTRO	100PF 220UF 15PF 560PF 47UF	J 10WV J K 25WV
C86 ,87 C88 ,89 C90 -93 C90 ,91 C94 ,95			CC45FSL1H151J CC45FSL2H470J C91-1577-05 C91-1573-05 CK45FB1H332K	CERAMIC CERAMIC MP-C MP-C CERAMIC	150PF 47PF 0.22UF 0.10UF 3300PF	J J J J K
C111-114 C115,116 C117,118 C119,120 C121,122			CE04KW1H3R3M CC45FSL1H331J CC45FCH1H050C CK45FB1H222K CC45FSL1H101J	ELECTRO CERAMIC CERAMIC CERAMIC CERAMIC	3.3UF 330PF 5.0PF 2200PF 100PF	50WV J C K J
C123,124 C125,126 C127,128 C133,134			CE04KW1A221M CC45FCH1H150J CK45FB1H561K CE04KW1H220M	ELECTRO CERAMIC CERAMIC ELECTRO	220UF 15PF 560PF 22UF	10WV J K 50WV

L : Scandinavia K : USA P : Canada R : Mexico C : China I : Malaysia
Y : PX(Far East,Hawaii) T : England E : Europe G : Germany V : China(Shanghai)
Y : AAFES(Europe) X : Australia Q : Russia H : Korea M : Other Areas Δ indicates safety critical components.

* New Parts

Parts without **Parts No.** are not supplied.
Les articles non mentionnés dans le **Parts No.** ne sont pas fournis.
Teile ohne **Parts No.** werden nicht geliefert.

9

Ref. No	Address	New Parts	Parts No.	Description	Destination	Remarks
C135,136 C137,138 C139-142 C139,140 C161			CC45FSL1H151J CC45FSL2H470J C91-1577-05 C91-1573-05 GE04KW1H3R3M	CERAMIC 150PF J CERAMIC 47PF J MP-C 0.22UF J MP-C 0.10UF J ELECTRO 3.3UF 50WV	8 9	
C163 C165 C167 C169 C171			CE04KW2A3R3M CC45FSL1H331J CC45FCH1H060D CK45FB1H222K CC45FSL1H101J	ELECTRO 3.3UF 100WV CERAMIC 330PF J CERAMIC 6.0PF D CERAMIC 2200PF K CERAMIC 100PF J		
C173 C175 C177 C183 C185			CE04KW1A221M CC45FCH1H150J CK45FB1H561K CE04KW1E470M CC45FSL1H151J	ELECTRO 220UF 10WV CERAMIC 15PF J CERAMIC 560PF K ELECTRO 47UF 25WV CERAMIC 150PF J		
C187 C189-192 C189,190 C193 C195,196			CC45FSL2H470J C91-1577-05 C91-1573-05 CK45FB1H332K CK45FB1H332K	CERAMIC 47PF J MP-C 0.22UF J MP-C 0.10UF J CERAMIC 3300PF K CERAMIC 3300PF K	8 9	
C301,302 C303 C304 C305 C306			C90-5771-05 CQ93FMG1H103J CE04KW1A221M CE04KW1H101M CE04KW2A101M	ELECTRO 10000UF 75WV MYLAR 0.010UF J ELECTRO 220UF 10WV ELECTRO 100UF 50WV ELECTRO 100UF 100WV		
C308 C309-311 C312 C315 C316			CE04KW1H100M CE04KW1H220M CE04KW1A101M CE04DW2A330M CE04KW2A100M	ELECTRO 10UF 50WV ELECTRO 22UF 50WV ELECTRO 100UF 10WV ELECTRO 33UF 100WV ELECTRO 10UF 100WV		
C317,318 C319,320 C323 C324,325 C326		*	CE04KW2A220M CC45FSL1H101J CK45FB1H102K CE04DW1C471M CC45FCH1H030C	ELECTRO 22UF 100WV CERAMIC 100PF J CERAMIC 1000PF K ELECTRO 470UF 16WV CERAMIC 3.0PF C		
C351-353 C354 C355-360 C361,362 C363			CC45FSL1H221J CQ93FMG1H122J CK45FF1H472Z CE04KW1H220M CE04KW1E470M	CERAMIC 220PF J MYLAR 1200PF J CERAMIC 4700PF Z ELECTRO 22UF 50WV ELECTRO 47UF 25WV		
C364 C365 C366 C367 C368			CE04HW1H2R2M CE04KW1A221M CE04KW1H4R7M CE04KW1A221M CE04KW1H4R7M	NP-ELEC 2.2UF 50WV ELECTRO 220UF 10WV ELECTRO 4.7UF 50WV ELECTRO 220UF 10WV ELECTRO 4.7UF 50WV		
C369 C370 C450 C451-453 C501,502			CE04HW1E220M CK45FB1H102K CK45FE2H103P CK45FB2H102K CC45FSL1H221J	NP-ELEC 22UF 25WV CERAMIC 1000PF K CERAMIC 0.010UF P CERAMIC 1000PF K CERAMIC 220PF J		
C600 C609 C610 C611 C722			CE04KW1E101M CC45FCH1H180J CE04KW2A101M CE04KW1H220M CE04KW1H220M	ELECTRO 100UF 25WV CERAMIC 18PF J ELECTRO 100UF 100WV ELECTRO 22UF 50WV ELECTRO 22UF 50WV		

L: Scandinavia K: USA P: Canada R: Mexico C: China I: Malaysia
Y: PX(Far East,Hawaii) T: England E: Europe G: Germany V: China(Shanghai)
Y: AAFES(Europe) X: Australia Q: Russia H: Korea M: Other Areas Δ indicates safety critical components.

* New Parts

Parts without **Parts No.** are not supplied.
Les articles non mentionnés dans le **Parts No.** ne sont pas fournis.
Teile ohne **Parts No.** werden nicht geliefert.

10

Ref. No	Address	New Parts	Parts No.	Description	Destination	Remarks
CN1 CN2 CN3 CN4,5 CN6		*	E41-1010-05 E41-0929-05 E41-0928-05 E40-8484-05 E41-0940-05	PIN ASSY PIN ASSY PIN ASSY FLAT CABLE CONNECTOR PIN ASSY		
CN7 CN8 CN9 CN10-15 CN21		*	E41-0934-05 E41-1009-05 E41-0927-05 E40-4871-05 E40-8429-05	PIN ASSY PIN ASSY PIN ASSY PIN ASSY SOCKET FOR PIN ASSY	8	
CN22 CN51 CN52 J3 J5			E41-0934-05 E41-0928-05 E40-4669-05 E63-1247-05 E70-0150-05	PIN ASSY PIN ASSY PIN ASSY PIN JACK SCREW TERMINAL BOARD		
J6 J11,12 J21,22 J501 J501			E70-0160-05 E63-1317-05 E63-1317-05 E11-0190-05 E11-0271-05	LOCK TERMINAL BOARD PIN JACK PIN JACK PHONE JACK (3P) PHONE JACK (METAL SLEEVE)		
WH1 WH2 WH3 WH4 WH5		*	E35-3240-15 E35-3247-05 E35-3672-05 E35-3656-05 E35-3654-05	WIRING HARNESS WIRING HARNESS WIRING HARNESS WIRING HARNESS WIRING HARNESS		
WH6 WH7 WH8 WH9 WH21		*	E35-3655-05 E35-3676-05 E35-3695-05 E35-3392-05 E82-5515-04	WIRING HARNESS WIRING HARNESS WIRING HARNESS WIRING HARNESS FINISHED WIRE		
WH221		*	E35-3678-05	WIRING HARNESS		
L1 -6			L39-0085-05	PHASE COMPENSATION COIL		
R61,62 R81-84 R85,86 R87,88 R93-96			RS14KB3A821J RD14NB2E221J RD14NB2E562J RD14NB2E331J RD14NB2E470J	FL-PROOF RS 820 J 1W RD 220 J 1/4W RD 5.6K J 1/4W RD 330 J 1/4W RD 47 J 1/4W		
R97,98 R99,100 R101,102 R103,104 R131-134			RD14NB2E221J RD14NB2E330J RS14KB3D4R7J RS14KB3D391J RD14NB2E221J	RD 220 J 1/4W RD 33 J 1/4W FL-PROOF RS 4.7 J 2W FL-PROOF RS 390 J 2W RD 220 J 1/4W		
R135,136 R137,138 R143-146 R147,148 R149,150			RD14NB2E562J RD14NB2E331J RD14NB2E470J RD14NB2E221J RD14NB2E330J	RD 5.6K J 1/4W RD 330 J 1/4W RD 47 J 1/4W RD 220 J 1/4W RD 33 J 1/4W		
R151,152 R181 R183 R185 R187			RS14KB3D4R7J RD14NB2E221J RD14NB2E221J RD14NB2E562J RD14NB2E331J	FL-PROOF RS 4.7 J 2W RD 220 J 1/4W RD 220 J 1/4W RD 5.6K J 1/4W RD 330 J 1/4W		
R193			RD14NB2E470J	RD 47 J 1/4W		

L: Scandinavia K: USA P: Canada R: Mexico C: China I: Malaysia
Y: PX(Far East,Hawaii) T: England E: Europe G: Germany V: China(Shanghai)
Y: AAFES(Europe) X: Australia Q: Russia H: Korea M: Other Areas Δ indicates safety critical components.

KRF-X9080D/VR-8070/8060
PARTS LIST

* New Parts
Parts without **Parts No.** are not supplied.
Les articles non mentionnés dans le **Parts No.** ne sont pas fournis.
Teile ohne **Parts No.** werden nicht geliefert.

11

Ref. No	Address	New Parts	Parts No.	Description	Destination	Remarks
R195			RD14NB2E470J	RD 47 J 1/4W		
R197,198			RD14NB2E221J	RD 220 J 1/4W		
R199,200			RD14NB2E330J	RD 33 J 1/4W		
R201,202			RS14KB3D4R7J	FL-PROOF RS 4.7 J 2W		
△ R303			RD14NB2E561J	RD 560 J 1/4W		
△ R304			RS14KB3A822J	FL-PROOF RS 8.2K J 1W		
△ R306			RD14NB2E101J	RD 100 J 1/4W		
R307			RD14NB2E822J	RD 8.2K J 1/4W		
R310			RS14KB3A390J	FL-PROOF RS 39 J 1W		
R311			RS14KB3A680J	FL-PROOF RS 68 J 1W		
R314			RS14KB3A681J	FL-PROOF RS 680 J 1W		
R317			RS14KB3D152J	FL-PROOF RS 1.5K J 2W		
R318			RS14KB3D222J	FL-PROOF RS 2.2K J 2W		
△ R321,322			RD14NB2E1R0J	RD 1 J 1/4W		
△ R325,326			RD14NB2E472J	RD 4.7K J 1/4W		
R331-333			RS14KB3D182J	FL-PROOF RS 1.8K J 2W		
R342			RS14KB3A100J	FL-PROOF RS 10 J 1W		
R343			RS14KB3A470J	FL-PROOF RS 47 J 1W		
R454			RS14KB3A391J	FL-PROOF RS 390 J 1W		
△ R476			RD14NB2E561J	RD 560 J 1/4W		
R627			RD14NB2E472J	RD 4.7K J 1/4W		
R733			RD14NB2E470J	RD 47 J 1/4W		
R735			RD14NB2E470J	RD 47 J 1/4W		
VR1 -6			R32-0032-05	SEMI FIXED VARIABLE RESISTOR		
K2 -5			S76-0098-05	MAGNETIC RELAY		
D1 -5			HSS104A	DIODE		
D1 -5			1SS133	DIODE		
D6			HSS104A	DIODE	8	
D6			1SS133	DIODE	8	
D7			MTZJ5.1(B)	ZENER DIODE	8	
D7			RD5.1ES(B)	ZENER DIODE	8	
D8			MTZJ3.9(B)	ZENER DIODE	8	
D8			RD3.9ES(B)	ZENER DIODE	8	
△ D12			D5SBA20F03	DIODE		
△ D12			TS6P03G-B	DIODE		
△ D14 ,15			S5688B	DIODE		
D16			HSS104A	DIODE		
D16			1SS133	DIODE		
D17			MTZJ16(B)	ZENER DIODE		
D17			RD16ES(B)	ZENER DIODE		
D18			MTZJ15(B)	ZENER DIODE		
D18			RD15ES(B)	ZENER DIODE		
D19			MTZJ16(B)	ZENER DIODE		
D19			RD16ES(B)	ZENER DIODE		
D20			MTZJ6.2(B)	ZENER DIODE		
D20			RD6.2ES(B)	ZENER DIODE		
D21			MTZJ6.8(B)	ZENER DIODE		
D21			RD6.8ES(B)	ZENER DIODE		
D22			MTZJ5.1(B)	ZENER DIODE		
D22			RD5.1ES(B)	ZENER DIODE		
D23			MTZJ13(B)	ZENER DIODE	Y1X1	
D23			MTZJ15(B)	ZENER DIODE	9	
D23			MTZJ7.5(B)	ZENER DIODE	E1E2	
D23			RD13ES(B)	ZENER DIODE	Y1X1	

L : Scandinavia K : USA P : Canada R : Mexico C : China I : Malaysia
Y : PX(Far East,Hawaii) T : England E : Europe G : Germany V : China(Shanghai)
Y : AAFES(Europe) X : Australia Q : Russia H : Korea M : Other Areas △ indicates safety critical components .

* New Parts
Parts without **Parts No.** are not supplied.
Les articles non mentionnés dans le **Parts No.** ne sont pas fournis.
Teile ohne **Parts No.** werden nicht geliefert.

12

Ref. No	Address	New Parts	Parts No.	Description	Destination	Remarks
D23			RD15ES(B)	ZENER DIODE		9
D23			RD7.5ES(B)	ZENER DIODE		E1E2
D24			MTZJ7.5(B)	ZENER DIODE		Y1X1
D24			MTZJ8.2(B)	ZENER DIODE		9E1E2
D24			RD7.5ES(B)	ZENER DIODE		Y1X1
D24			RD8.2ES(B)	ZENER DIODE		9E1E2
D25			MTZJ30(B)	ZENER DIODE		
D25			RD30ES(B)	ZENER DIODE		
D26			MTZJ3.9(B)	ZENER DIODE		E1E2
D26			RD3.9ES(B)	ZENER DIODE		E1E2
D27			1SS244	DIODE		
D28 ,29			HSS104A	DIODE		
D28 ,29			1SS133	DIODE		
D32 -35			HSS104A	DIODE		
D32 -35			1SS133	DIODE		
D51 ,52			1SS244	DIODE		
D53 ,54			HSS104A	DIODE		
D53 ,54			1SS133	DIODE		
D55 ,56			1SS244	DIODE		
D57 ,58			HSS104A	DIODE		
D57 ,58			1SS133	DIODE		
D59 ,60			1SS244	DIODE		
D61 ,62			HSS104A	DIODE		
D61 ,62			1SS133	DIODE		
D63			MTZJ3.9(B)	ZENER DIODE		
D63			RD3.9ES(B)	ZENER DIODE		
D64			HSS104A	DIODE		
D64			1SS133	DIODE		
D65			MTZJ3.9(B)	ZENER DIODE		
D65			RD3.9ES(B)	ZENER DIODE		
D66			HSS104A	DIODE		
D66			1SS133	DIODE		
D67			MTZJ3.9(B)	ZENER DIODE		
D67			RD3.9ES(B)	ZENER DIODE		
D68			HSS104A	DIODE		
D68			1SS133	DIODE		
D69			MTZJ3.9(B)	ZENER DIODE		
D69			RD3.9ES(B)	ZENER DIODE		
D602-604			HSS104A	DIODE		
D602-604			1SS133	DIODE		
D608			MTZJ30(B)	ZENER DIODE		
D608			RD30ES(B)	ZENER DIODE		
D609			MTZJ20(B)	ZENER DIODE		
D609			RD20ES(B)	ZENER DIODE		
IC1			NJM4580L	ANALOGUE IC		
IC2			M61516FP	ANALOGUE IC		
Q1 -4			2SA992(F,E)	TRANSISTOR		
Q5 ,6			2SA1123(R,S)	TRANSISTOR		
Q7 -10			2SC2631(R,S)	TRANSISTOR		
△ Q11 ,12			TRAIT3KN	TRANSISTOR		
△ Q13 ,14			TRAIT3KP	TRANSISTOR		
Q21 -24			2SA992(F,E)	TRANSISTOR		
Q25 ,26			2SA1123(R,S)	TRANSISTOR		
Q27 -30			2SC2631(R,S)	TRANSISTOR		
△ Q31 ,32			TRAIT3KN	TRANSISTOR		

L : Scandinavia K : USA P : Canada R : Mexico C : China I : Malaysia
Y : PX(Far East,Hawaii) T : England E : Europe G : Germany V : China(Shanghai)
Y : AAFES(Europe) X : Australia Q : Russia H : Korea M : Other Areas △ indicates safety critical components .

KRF-X9080D/VR-8070/8060

PARTS LIST

* New Parts

Parts without **Parts No.** are not supplied.
Les articles non mentionnés dans le **Parts No.** ne sont pas fournis.
Teile ohne **Parts No.** werden nicht geliefert.

13

Ref. No	Address	New Parts	Parts No.	Description	Destination	Remarks
△ Q33,34			TRAIT3KP	TRANSISTOR		
Q41			2SA992(F,E)	TRANSISTOR		
Q43			2SA992(F,E)	TRANSISTOR		
Q45			2SA1123(R,S)	TRANSISTOR		
Q47			2SC2631(R,S)	TRANSISTOR		
Q49			2SC2631(R,S)	TRANSISTOR		
△ Q51,52			TRAIT3KN	TRANSISTOR		
△ Q53,54			TRAIT3KP	TRANSISTOR		
Q302			DTC113ZSA	DIGITAL TRANSISTOR		
Q302			UN4219	DIGITAL TRANSISTOR		
△ Q303			2SC3940A(R,S)	TRANSISTOR		
△ Q304			2SB1640	TRANSISTOR		
△ Q305			UN421N	DIGITAL TRANSISTOR		
△ Q306			2SB1640	TRANSISTOR		
△ Q307			2SD2525	TRANSISTOR		
Q308			2SA992(F,E)	TRANSISTOR		
Q309-312			KTC3200	TRANSISTOR		
Q313			UN421N	DIGITAL TRANSISTOR	E1E2	
Q331-335			2SC2878(B)	TRANSISTOR		
Q353-358			2SC1845(F,E)	TRANSISTOR		
Q359			2SA992(F,E)	TRANSISTOR		
Q360,361			2SC1845(F,E)	TRANSISTOR		
Q362			2SA992(F,E)	TRANSISTOR		
Q363,364			2SC1845(F,E)	TRANSISTOR		
Q365			2SA992(F,E)	TRANSISTOR		
Q602-604			2SC1845(F,E)	TRANSISTOR		
Q605,606			2SC2878(B)	TRANSISTOR		
Q607			2SA992(F,E)	TRANSISTOR		
△ Q610			2SD2012	TRANSISTOR		
Q611			KTC3199(Y,GR)	TRANSISTOR	8	
Q611			2SC1740S(Q,R)	TRANSISTOR	8	
Q612			KTA1267(Y,GR)	TRANSISTOR	8	
Q612			2SA933AS(Q,R)	TRANSISTOR	8	
AUDIO (X09-6760-13) VR-8060						
C1,2			CC45FSL1H221J	CERAMIC	220PF	J
C3,4			CE04LW1H100M	ELECTRO	10UF	50WV
C5,6			CC45FSL1H221J	CERAMIC	220PF	J
C7,8			CE04LW1A101M	ELECTRO	100UF	10WV
C9,10			CC45FSL1H271J	CERAMIC	270PF	J
C11,12			CQ93FMG1H123J	MYLAR	0.012UF	J
C13,14			CK45FB1H332K	CERAMIC	3300PF	K
C15,16			CE04LW1H4R7M	ELECTRO	4.7UF	50WV
C17,18			CC45FCH1H101J	CERAMIC	100PF	J
C19-38			CC45FSL1H221J	CERAMIC	220PF	J
C44,45			CE04LW1E470M	ELECTRO	47UF	25WV
C46,47			CQ93FMG1H823J	MYLAR	0.082UF	J
C51-54			C91-1573-05	MP-C	0.10UF	J
C55,56			CQ93FMG1H272J	MYLAR	2700PF	J
C57,58			CE04LW1H2R2M	ELECTRO	2.2UF	50WV
C62-65			CE04KW1H3R3M	ELECTRO	3.3UF	50WV
C66,67			CC45FSL1H331J	CERAMIC	330PF	J
C68			CC45FCH1H070D	CERAMIC	7.0PF	D
C69			CC45FCH1H080D	CERAMIC	8.0PF	D
C70,71			CK45FB1H222K	CERAMIC	2200PF	K

L: Scandinavia K: USA P: Canada R: Mexico C: China I: Malaysia
Y: PX(Far East,Hawaii) T: England E: Europe G: Germany V: China(Shanghai)
Y: AAFES(Europe) X: Australia Q: Russia H: Korea M: Other Areas △ indicates safety critical components.

* New Parts

Parts without **Parts No.** are not supplied.
Les articles non mentionnés dans le **Parts No.** ne sont pas fournis.
Teile ohne **Parts No.** werden nicht geliefert.

14

Ref. No	Address	New Parts	Parts No.	Description	Destination	Remarks
C72,73			CC45FCH1H101J	CERAMIC	100PF	J
C74,75			CE04KW1E101M	ELECTRO	100UF	25WV
C76,77			CC45FCH1H100D	CERAMIC	10PF	D
C78,79			CK45FB1H561K	CERAMIC	560PF	K
C82,83			CC45FCH1H100D	CERAMIC	10PF	D
C84,85			CE04KW1H220M	ELECTRO	22UF	50WV
C86,87			CC45FSL1H470J	CERAMIC	47PF	J
C88,89			CC45FSL2H470J	CERAMIC	47PF	J
C90,91			C91-1573-05	MP-C	0.10UF	J
C94,95			CK45FB1H332K	CERAMIC	3300PF	K
C111,112			CE04KW1H3R3M	ELECTRO	3.3UF	50WV
C113,114			CE04LW1H3R3M	ELECTRO	3.3UF	50WV
C115,116			CC45FSL1H331J	CERAMIC	330PF	J
C117,118			CC45FCH1H050C	CERAMIC	5.0PF	C
C119,120			CK45FB1H222K	CERAMIC	2200PF	K
C121,122			CC45FCH1H101J	CERAMIC	100PF	J
C123,124			CE04KW1A221M	ELECTRO	220UF	10WV
C125,126			CC45FCH1H100D	CERAMIC	10PF	D
C127,128			CK45FB1H561K	CERAMIC	560PF	K
C133,134			CE04LW1H220M	ELECTRO	22UF	50WV
C135,136			CC45FSL1H470J	CERAMIC	47PF	J
C137,138			CC45FSL2H470J	CERAMIC	47PF	J
C139,140			C91-1573-05	MP-C	0.10UF	J
C161			CE04KW1H3R3M	ELECTRO	3.3UF	50WV
C163			CE04KW1H3R3M	ELECTRO	3.3UF	50WV
C164			CE04LW1H3R3M	ELECTRO	3.3UF	50WV
C165,166			CC45FSL1H331J	CERAMIC	330PF	J
C167			CC45FCH1H060D	CERAMIC	6.0PF	D
C168			CC45FSL1H270J	CERAMIC	27PF	J
C169,170			CK45FB1H222K	CERAMIC	2200PF	K
C171,172			CC45FCH1H101J	CERAMIC	100PF	J
C173			CE04KW1E101M	ELECTRO	100UF	25WV
C174			CE04KW1A221M	ELECTRO	220UF	10WV
C175,176			CC45FCH1H100D	CERAMIC	10PF	D
C177,178			CK45FB1H561K	CERAMIC	560PF	K
C181			CC45FCH1H100D	CERAMIC	10PF	D
C183			CE04KW1H220M	ELECTRO	22UF	50WV
C184			CE04LW1H220M	ELECTRO	22UF	50WV
C185			CC45FSL1H470J	CERAMIC	47PF	J
C186			CC45FSL1H101J	CERAMIC	100PF	J
C187,188			CC45FSL2H470J	CERAMIC	47PF	J
C189,190			C91-1573-05	MP-C	0.10UF	J
C193			CK45FB1H332K	CERAMIC	3300PF	K
C195,196			CK45FB1H332K	CERAMIC	3300PF	K
C227,228			CE04LW1H220M	ELECTRO	22UF	50WV
C301,302			C90-5775-05	ELECTRO	4700UF	75WV
C303			CQ93FMG1H103J	MYLAR	0.010UF	J
C304			CE04LW1A221M	ELECTRO	220UF	10WV
C305			CE04KW1H101M	ELECTRO	100UF	50WV
C306			CE04LW2A101M	ELECTRO	100UF	100WV
C307			CC45FSL1H221J	CERAMIC	220PF	J
C308			CE04LW1H100M	ELECTRO	10UF	50WV
C309			CE04LW1H220M	ELECTRO	22UF	50WV
C310,311			CE04KW1H220M	ELECTRO	22UF	50WV
C312			CE04LW1A101M	ELECTRO	100UF	10WV

L: Scandinavia K: USA P: Canada R: Mexico C: China I: Malaysia
Y: PX(Far East,Hawaii) T: England E: Europe G: Germany V: China(Shanghai)
Y: AAFES(Europe) X: Australia Q: Russia H: Korea M: Other Areas △ indicates safety critical components.

KRF-X9080D/VR-8070/8060
PARTS LIST

* New Parts

Parts without **Parts No.** are not supplied.Les articles non mentionnés dans le **Parts No.** ne sont pas fournis.Teile ohne **Parts No.** werden nicht geliefert.

15

Ref. No	Add-ress	New Parts	Parts No.	Description	Desti-nation	Re-marks
C313,314 C315			CE04LW1E470M CE04LW2A330M	ELECTRO 47UF 25WV ELECTRO 33UF 100WV		
C316 C317,318 C319,320 C321 C322			CE04LW2A100M CE04KW2A220M CC45FCH1H101J CC45FCH1H100D CC45FCH1H150J	ELECTRO 10UF 100WV ELECTRO 22UF 100WV CERAMIC 100PF J CERAMIC 10PF D CERAMIC 15PF J		
C323 C324,325 C351-353 C354 C355-360			CK45FB1H102K CE04DW1C471M CC45FSL1H221J CQ93FMG1H122J CK45FF1H472Z	CERAMIC 1000PF K ELECTRO 470UF 16WV CERAMIC 220PF J MYLAR 1200PF J CERAMIC 4700PF Z		
C361 C362,363 C364 C365 C366			CE04KW1H220M CE04LW1H220M CE04HW1H2R2M CE04KW1A221M CE04LW1H4R7M	ELECTRO 22UF 50WV ELECTRO 22UF 50WV NP-ELEC 2.2UF 50WV ELECTRO 220UF 10WV ELECTRO 4.7UF 50WV		
C367 C368 C369 C370 C450			CE04KW1A221M CE04LW1H4R7M CE04HW1C330M CK45FB1H102K CK45FE2H103P	ELECTRO 220UF 10WV ELECTRO 4.7UF 50WV NP-ELEC 33UF 16WV CERAMIC 1000PF K CERAMIC 0.010UF P		
C451-453 C501,502 C600 C611			CK45FB2H102K CC45FSL1H221J CE04KW1E101M CE04KW1H220M	CERAMIC 1000PF K CERAMIC 220PF J ELECTRO 100UF 25WV ELECTRO 22UF 50WV		
CN1 CN1 CN2 CN3 CN4			E40-3912-05 E40-8361-05 E40-3248-05 E40-3247-05 E40-8484-05	PIN ASSY PIN ASSY PIN ASSY PIN ASSY FLAT CABLE CONNECTOR		
CN5 CN6 CN7 CN10-15 CN21			E40-8483-05 E40-3259-05 E40-3253-05 E40-4871-05 E40-8429-05	FLAT CABLE CONNECTOR PIN ASSY PIN ASSY PIN ASSY SOCKET FOR PIN ASSY		
CN22 CN51 J3 J5 J6			E40-3253-05 E40-3247-05 E63-1247-05 E70-0150-05 E70-0160-05	PIN ASSY PIN ASSY PIN JACK SCREW TERMINAL BOARD LOCK TERMINAL BOARD		
J11 ,12 J21 ,22 J501 J501 WH1			E63-1317-05 E63-1317-05 E11-0190-05 E11-0271-05 E35-3240-15	PIN JACK PIN JACK PHONE JACK (3P) PHONE JACK (METAL SLEEVE) WIRING HARNESS		
WH2 WH3 WH3 WH4 WH4		*	E35-3247-05 E35-3305-15 E35-3508-05 E35-3391-05 E35-3507-05	WIRING HARNESS WIRING HARNESS WIRING HARNESS WIRING HARNESS WIRING HARNESS		
WH5 WH5 WH6 WH6		*	E35-3393-05 E35-3511-05 E35-3392-05 E35-3510-05	WIRING HARNESS WIRING HARNESS WIRING HARNESS WIRING HARNESS		

L : Scandinavia K : USA P : Canada R : Mexico C : China I : Malaysia
 Y : PX(Far East,Hawaii) T : England E : Europe G : Germany V : China(Shanghai)
 Y : AAFES(Europe) X : Australia Q : Russia H : Korea M : Other Areas Δ indicates safety critical components .

* New Parts

Parts without **Parts No.** are not supplied.Les articles non mentionnés dans le **Parts No.** ne sont pas fournis.Teile ohne **Parts No.** werden nicht geliefert.

16

Ref. No	Add-ress	New Parts	Parts No.	Description	Desti-nation	Re-marks
WH21		*	E82-5515-04	FINISHED WIRE		
WH221		*	E35-3678-05	WIRING HARNESS		
L1 -6			L39-0085-05	PHASE COMPENSATION COIL		
R81 -84 R85 ,86 R87 ,88 R93 -96 R97 ,98			RD14NB2E221J RD14NB2E562J RD14NB2E331J RD14NB2E470J RD14NB2E221J	RD 220 J 1/4W RD 5.6K J 1/4W RD 330 J 1/4W RD 47 J 1/4W RD 220 J 1/4W		
R99 ,100 R101,102 R103,104 R131-134 R135,136			RD14NB2E330J RS14KB3D4R7J RS14KB3D391J RD14NB2E221J RD14NB2E562J	RD 33 J 1/4W FL-PROOF RS 4.7 J 2W FL-PROOF RS 390 J 2W RD 220 J 1/4W RD 5.6K J 1/4W		
R137,138 R143-146 R147,148 R149,150 R151,152			RD14NB2E331J RD14NB2E470J RD14NB2E221J RD14NB2E330J RS14KB3D4R7J	RD 330 J 1/4W RD 47 J 1/4W RD 220 J 1/4W RD 33 J 1/4W FL-PROOF RS 4.7 J 2W		
R181-184 R185,186 R187,188 R193-196 R197,198			RD14NB2E221J RD14NB2E562J RD14NB2E331J RD14NB2E470J RD14NB2E221J	RD 220 J 1/4W RD 5.6K J 1/4W RD 330 J 1/4W RD 47 J 1/4W RD 220 J 1/4W		
R199,200			RD14NB2E330J	RD 33 J 1/4W		
R201,202 R301 Δ R303 Δ R304 Δ R306			RS14KB3D4R7J RS14KB3D182J RD14NB2E1R0J RS14KB3A103J RD14NB2E101J	FL-PROOF RS 4.7 J 2W FL-PROOF RS 1.8K J 2W RD 1 J 1/4W FL-PROOF RS 10K J 1W RD 100 J 1/4W		
Δ R307 R310,311 R314 Δ R315,316 R317			RD14NB2E822J RS14KB3A680J RS14KB3A681J RD14NB2E100J RS14KB3D122J	RD 8.2K J 1/4W FL-PROOF RS 68 J 1W FL-PROOF RS 680 J 1W RD 10 J 1/4W FL-PROOF RS 1.2K J 2W		
R318 Δ R321,322 Δ R325,326 Δ R331-333 R342			RS14KB3D152J RD14NB2E1R0J RD14NB2E472J RS14KB3D182J RS14KB3A100J	FL-PROOF RS 1.5K J 2W RD 1 J 1/4W RD 4.7K J 1/4W FL-PROOF RS 1.8K J 2W FL-PROOF RS 10 J 1W		
R343 R454 Δ R476 VR1 -6			RS14KB3A470J RS14KB3A391J RD14NB2E561J R32-0032-05	FL-PROOF RS 47 J 1W FL-PROOF RS 390 J 1W RD 560 J 1/4W SEMI FIXED VARIABLE RESISTOR		
K1 K2 -5			S76-0134-05 S76-0045-15	MAGNETIC RELAY MAGNETIC RELAY		
D1 -6 D1 -6 Δ D11 ,12 Δ D11 ,12 D13			HSS104A 1SS133 D5SBA20F03 TS6P03G-B HSS104A	DIODE DIODE DIODE DIODE DIODE		
Δ D13 Δ D14 ,15			1SS133 1SR139-400	DIODE DIODE		

L : Scandinavia K : USA P : Canada R : Mexico C : China I : Malaysia
 Y : PX(Far East,Hawaii) T : England E : Europe G : Germany V : China(Shanghai)
 Y : AAFES(Europe) X : Australia Q : Russia H : Korea M : Other Areas Δ indicates safety critical components .

* New Parts

Parts without **Parts No.** are not supplied.

Les articles non mentionnés dans le **Parts No.** ne sont pas fournis.

Teile ohne **Parts No.** werden nicht geliefert.

17

Ref. No	Add-ress	New Parts	Parts No.	Description	Desti-nation	Re-marks
D16			HSS104A	DIODE		
D16			1SS133	DIODE		
D17			MTZJ16(B)	ZENER DIODE		
D17			RD16ES(B)	ZENER DIODE		
D18			MTZJ15(B)	ZENER DIODE		
D18			RD15ES(B)	ZENER DIODE		
D19			MTZJ16(B)	ZENER DIODE		
D19			RD16ES(B)	ZENER DIODE		
D20 ,21			MTZJ6.8(B)	ZENER DIODE		
D20 ,21			RD6.8ES(B)	ZENER DIODE		
D22			MTZJ5.1(B)	ZENER DIODE		
D22			RD5.1ES(B)	ZENER DIODE		
D23			MTZJ10(B)	ZENER DIODE		
D23			RD10ES(B)	ZENER DIODE		
D24			MTZJ15(B)	ZENER DIODE		
D24			RD15ES(B)	ZENER DIODE		
D25			MTZJ24(B)	ZENER DIODE		
D25			RD24ES(B)	ZENER DIODE		
D27			1SS244	DIODE		
D28 -30			HSS104A	DIODE		
D28 -30			1SS133	DIODE		
D32 -35			HSS104A	DIODE		
D32 -35			1SS133	DIODE		
D51 ,52			1SS244	DIODE		
D53 ,54			HSS104A	DIODE		
D53 ,54			1SS133	DIODE		
D55 ,56			1SS244	DIODE		
D57 ,58			HSS104A	DIODE		
D57 ,58			1SS133	DIODE		
D59 ,60			1SS244	DIODE		
D61			HSS104A	DIODE		
D61			1SS133	DIODE		
D63			MTZJ3.9(B)	ZENER DIODE		
D63			RD3.9ES(B)	ZENER DIODE		
D64			HSS104A	DIODE		
D64			1SS133	DIODE		
D65			MTZJ3.9(B)	ZENER DIODE		
D65			RD3.9ES(B)	ZENER DIODE		
D66			HSS104A	DIODE		
D66			1SS133	DIODE		
D67			MTZJ3.9(B)	ZENER DIODE		
D67			RD3.9ES(B)	ZENER DIODE		
D68			HSS104A	DIODE		
D68			1SS133	DIODE		
D69			MTZJ3.9(B)	ZENER DIODE		
D69			RD3.9ES(B)	ZENER DIODE		
D221			MTZJ11(B)	ZENER DIODE		
D221			RD11ES(B)	ZENER DIODE		
D602-604			HSS104A	DIODE		
D602-604			1SS133	DIODE		
IC1			NJM4580L	ANALOGUE IC		
IC2			M61516FP	ANALOGUE IC		
IC5			LC4966	MOS-IC		
Q1 -4			2SA992(F,E)	TRANSISTOR		
Q5 ,6			2SA1123(R,S)	TRANSISTOR		
Q7 -10			2SC2631(R,S)	TRANSISTOR		

L : Scandinavia K : USA P : Canada R : Mexico C : China I : Malaysia
 Y : PX(Far East,Hawaii) T : England E : Europe G : Germany V : China(Shanghai)
 Y : AAFES(Europe) X : Australia Q : Russia H : Korea M : Other Areas Δ indicates safety critical components .

* New Parts

Parts without **Parts No.** are not supplied.

Les articles non mentionnés dans le **Parts No.** ne sont pas fournis.

Teile ohne **Parts No.** werden nicht geliefert.

18

Ref. No	Add-ress	New Parts	Parts No.	Description	Desti-nation	Re-marks
Δ Q11 ,12			TRAIT3KN	TRANSISTOR		
Δ Q13 ,14			TRAIT3KP	TRANSISTOR		
Q21 -24			2SA992(F,E)	TRANSISTOR		
Q25 ,26			2SA1123(R,S)	TRANSISTOR		
Q27 -30			2SC2631(R,S)	TRANSISTOR		
Δ Q31 ,32			TRAIT3KN	TRANSISTOR		
Δ Q33 ,34			TRAIT3KP	TRANSISTOR		
Q41 -44			2SA992(F,E)	TRANSISTOR		
Q45 ,46			2SA1123(R,S)	TRANSISTOR		
Q47 -50			2SC2631(R,S)	TRANSISTOR		
Δ Q51 ,52			TRAIT3KN	TRANSISTOR		
Δ Q53 ,54			TRAIT3KP	TRANSISTOR		
Q301			KTC3200	TRANSISTOR		
Q302			DTC113ZSA	DIGITAL TRANSISTOR		
Q302			UN4219	DIGITAL TRANSISTOR		
Q303			2SC3940A(R,S)	TRANSISTOR		
Δ Q304			2SB1640	TRANSISTOR		
Q305			UN421N	DIGITAL TRANSISTOR		
Δ Q306			2SB1640	TRANSISTOR		
Δ Q307			2SD2525	TRANSISTOR		
Q308			2SA992(F,E)	TRANSISTOR		
Q309-312			KTC3200	TRANSISTOR		
Q331-336			2SC2878(B)	TRANSISTOR		
Q351			UN421N	DIGITAL TRANSISTOR		
Q352			DTC124ESA	DIGITAL TRANSISTOR		
Q352			UN4212	DIGITAL TRANSISTOR		
Q353-358			2SC1845(F,E)	TRANSISTOR		
Q359			2SA992(F,E)	TRANSISTOR		
Q360,361			2SC1845(F,E)	TRANSISTOR		
Q362			2SA992(F,E)	TRANSISTOR		
Q363,364			2SC1845(F,E)	TRANSISTOR		
Q365			2SA992(F,E)	TRANSISTOR		
Q602-604			2SC1845(F,E)	TRANSISTOR		
Q605,606			2SC2878(B)	TRANSISTOR		
Q607			2SA992(F,E)	TRANSISTOR		
SUB (X13-7940-10)						
C101-106			CC45FCH1H100D	CERAMIC	10PF	D
C107,108			CC45FSL1H820J	CERAMIC	82PF	J
C109			CC45FCH1H100D	CERAMIC	10PF	D
C110-115			CE04KW1H010M	ELECTRO	1.0UF	50WV
C116-118			CE04KW1A471M	ELECTRO	470UF	10WV
C119-126			CK45FF1H103Z	CERAMIC	0.010UF	Z
C127			CE04KW1V330M	ELECTRO	33UF	35WV
C128-130			CC45FCH1H100D	CERAMIC	10PF	D
C131-133			CE04KW1H010M	ELECTRO	1.0UF	50WV
C134-136			CK45FF1H103Z	CERAMIC	0.010UF	Z
C137			CE04KW1E470M	ELECTRO	47UF	25WV
C138-140			CQ93FMG1H104J	MYLAR	0.10UF	J
C141			CC45FCH1H100D	CERAMIC	10PF	D
C142			CE04KW1H100M	ELECTRO	10UF	50WV
C151,152			CE04KW1H4R7M	ELECTRO	4.7UF	50WV
C153,154			CE04KW1E470M	ELECTRO	47UF	25WV
C155,156			CC45FSL1H820J	CERAMIC	82PF	J
C157,158			CE04KW1H220M	ELECTRO	22UF	50WV
C169			CK73GB1H331K	CHIP C	330PF	K
C201			CE04KW1H100M	ELECTRO	10UF	50WV
						89
						89
						89
						89
						9

L : Scandinavia K : USA P : Canada R : Mexico C : China I : Malaysia
 Y : PX(Far East,Hawaii) T : England E : Europe G : Germany V : China(Shanghai)
 Y : AAFES(Europe) X : Australia Q : Russia H : Korea M : Other Areas Δ indicates safety critical components .

KRF-X9080D/VR-8070/8060
PARTS LIST

* New Parts
Parts without **Parts No.** are not supplied.
Les articles non mentionnés dans le **Parts No.** ne sont pas fournis.
Teile ohne **Parts No.** werden nicht geliefert.

19

Ref. No	Add-ress	New Parts	Parts No.	Description	Desti-nation	Re-marks
C202			CK45FF1H103Z	CERAMIC 0.010UF Z	9	
C203			CQ93FMG1H683J	MYLAR 0.068UF J	9	
C205,206			CK45FF1H103Z	CERAMIC 0.010UF Z	9	
C207			CE04KW1A101M	ELECTRO 100UF 10WV	9	
C208			CE04KW1A221M	ELECTRO 220UF 10WV	9	
C209			CK45FF1H103Z	CERAMIC 0.010UF Z	9	
C210			CC45FSL1H221J	CERAMIC 220PF J	9	
C211-213			CC45FSL1H101J	CERAMIC 100PF J	9	
C214,215			CK45FF1H103Z	CERAMIC 0.010UF Z	9	
C216			CE04KW1H010M	ELECTRO 1.0UF 50WV	9	
C291			CE04KW2A101M	ELECTRO 100UF 100WV	7	
C292			CC73GCH1H180J	CHIP C 18PF J	7	
C301-310			CC45FSL1H221J	CERAMIC 220PF J	89	
C311-313			CK45FB1H332K	CERAMIC 3300PF K	89	
C315-317			CC45FSL1H101J	CERAMIC 100PF J	89	
C401-406			CE04KW1H220M	ELECTRO 22UF 50WV	89	
C407-412			CK45FB1H471K	CERAMIC 470PF K	89	
C419			CE04KW1E221M	ELECTRO 220UF 25WV	89	
C420			CE04KW1E101M	ELECTRO 100UF 25WV	89	
C425,426			CC45FSL1H101J	CERAMIC 100PF J	89	
C427-430			CC45FCH1H100D	CERAMIC 10PF D	89	
C431-436			CE04KW1E470M	ELECTRO 47UF 25WV	89	
C437,438			CE04HW1E220M	NP-ELEC 22UF 25WV	89	
C439			CE04KW1E470M	ELECTRO 47UF 25WV	89	
C440			CE04KW1H100M	ELECTRO 10UF 50WV	89	
C441,442			CE04KW1A101M	ELECTRO 100UF 10WV	89	
C443-446			CE04KW1H220M	ELECTRO 22UF 50WV	89	
C447			CE04KW1H100M	ELECTRO 10UF 50WV	89	
C448			CE04KW2A3R3M	ELECTRO 3.3UF 100WV	89	
C449,450			CE04KW1H220M	ELECTRO 22UF 50WV	89	
C451			CE04KW1E221M	ELECTRO 220UF 25WV	89	
C452			CE04KW1H220M	ELECTRO 22UF 50WV	89	
C453,454			CK45FB1H471K	CERAMIC 470PF K	89	
C457			CQ93FMG1H392J	MYLAR 3900PF J	89	
C458			CC45FCH1H100D	CERAMIC 10PF D	89	
C459			CC73GCH1H470J	CHIP C 47PF J	89	
C536			CK73GB1H182K	CHIP C 1800PF K		
C538			CK73GB1H102K	CHIP C 1000PF K		
C540			CE04KW1H220M	ELECTRO 22UF 50WV		
C544,545			CK73GB1H103K	CHIP C 0.010UF K		
C600			CE04KW1H100M	ELECTRO 10UF 50WV		
C601-606			CC45FSL1H470J	CERAMIC 47PF J	89	
C607			CC45FSL1H470J	CERAMIC 47PF J		
C608-611			CE04KW1E470M	ELECTRO 47UF 25WV		
C612			CE04KW1A101M	ELECTRO 100UF 10WV		
C613-615			CE04KW1V330M	ELECTRO 33UF 35WV		
C616			CE04KW1E470M	ELECTRO 47UF 25WV		
C617			CK73GB1H103K	CHIP C 0.010UF K		
C618			CE04KW1H100M	ELECTRO 10UF 50WV		
C619			CE04KW1V330M	ELECTRO 33UF 35WV		
C620			CE04KW1H100M	ELECTRO 10UF 50WV		
C621			CK73GF1H104Z	CHIP C 0.10UF Z		
C622			CE04KW1V330M	ELECTRO 33UF 35WV		
C625			CE04KW1H0R1M	ELECTRO 0.1UF 50WV		
C626,627			CK73FF1C105Z	CHIP C 1.0UF Z		

L : Scandinavia K : USA P : Canada R : Mexico C : China I : Malaysia
Y : PX(Far East,Hawaii) T : England E : Europe G : Germany V : China(Shanghai)
Y : AAFES(Europe) X : Australia Q : Russia H : Korea M : Other Areas Δ indicates safety critical components.

* New Parts
Parts without **Parts No.** are not supplied.
Les articles non mentionnés dans le **Parts No.** ne sont pas fournis.
Teile ohne **Parts No.** werden nicht geliefert.

20

Ref. No	Add-ress	New Parts	Parts No.	Description	Desti-nation	Re-marks
C651-662			CC45FSL1H470J	CERAMIC 47PF J		
C663			CK45FF1H103Z	CERAMIC 0.010UF Z		
C664			CE04KW1E470M	ELECTRO 47UF 25WV		
C665			CK45FF1H103Z	CERAMIC 0.010UF Z		
C666			CE04KW1E470M	ELECTRO 47UF 25WV		
C667			CK45FF1H103Z	CERAMIC 0.010UF Z		
C668			CE04KW1E470M	ELECTRO 47UF 25WV		
C669			CK45FF1H103Z	CERAMIC 0.010UF Z		
C670,671			CE04KW1E470M	ELECTRO 47UF 25WV		
C672			CK45FF1H103Z	CERAMIC 0.010UF Z		
C673			CE04KW1E470M	ELECTRO 47UF 25WV		
C674-677			CE04KW1H100M	ELECTRO 10UF 50WV		
C681			CE04KW1A471M	ELECTRO 470UF 10WV		
C682			CK73GB1C104K	CHIP C 0.10UF K		
C693			CC45FSL1H101J	CERAMIC 100PF J		
C694			CK45FF1H103Z	CERAMIC 0.010UF Z	79	
C699			CK73GF1H104Z	CHIP C 0.10UF Z		
C702-705			CE04KW1H3R3M	ELECTRO 3.3UF 50WV	89	
C706,707			CC45FSL1H331J	CERAMIC 330PF J	89	
C708,709			CK45FB1H222K	CERAMIC 220PF K	89	
C710,711			CC45FCH1H050C	CERAMIC 5.0PF C	89	
C712			CC45FSL1H221J	CERAMIC 220PF J	89	
C713			CC45FSL1H101J	CERAMIC 100PF J	89	
C714,715			CE04KW1A221M	ELECTRO 220UF 10WV	89	
C716,717			CC45FCH1H150J	CERAMIC 15PF J	89	
C718,719			CC45FSL1H151J	CERAMIC 150PF J	89	
C720			CK45FB1H102K	CERAMIC 1000PF K	89	
C721			CK45FB1H561K	CERAMIC 560PF K	89	
C722			CE04KW1H220M	ELECTRO 22UF 50WV	89	
C724,725			CC45FSL2H470J	CERAMIC 47PF J	89	
C728			CK45FF1H472Z	CERAMIC 4700PF Z	89	
C730			C91-1573-05	MP-C 0.10UF J	9	
C730			C91-1577-05	MP-C 0.22UF J	8	
C732			C91-1577-05	MP-C 0.22UF J	8	
C733			CC45FSL1H101J	CERAMIC 100PF J	89	
C734			CK45FF1H103Z	CERAMIC 0.010UF Z	89	
CN11		*	E41-0947-05	PIN ASSY		
CN12		*	E41-0932-05	PIN ASSY		
CN65		*	E41-0930-05	PIN ASSY		
CN67		*	E41-0927-05	PIN ASSY		
CN68		*	E41-0929-05	PIN ASSY		
CN151		*	E41-0949-05	PIN ASSY	89	
CN201		*	E41-0928-05	PIN ASSY	7	
CN301		*	E40-8484-05	FLAT CABLE CONNECTOR	89	
CN302		*	E41-1011-05	PIN ASSY	89	
CN303		*	E41-0929-05	PIN ASSY	89	
CN304		*	E41-1010-05	PIN ASSY	89	
CN702		*	E41-1018-05	PIN ASSY	89	
CN703		*	E41-1009-05	PIN ASSY	89	
CN704		*	E41-0929-05	PIN ASSY	89	
CN705		*	E40-4671-15	SOCKET FOR PIN ASSY	89	
CN706		*	E40-4871-05	PIN ASSY	89	
CN707		*	E41-1010-05	PIN ASSY	89	
J61 ,62		*	E63-1253-05	PIN JACK		

L : Scandinavia K : USA P : Canada R : Mexico C : China I : Malaysia
Y : PX(Far East,Hawaii) T : England E : Europe G : Germany V : China(Shanghai)
Y : AAFES(Europe) X : Australia Q : Russia H : Korea M : Other Areas Δ indicates safety critical components.

KRF-X9080D/VR-8070/8060

PARTS LIST

* New Parts

Parts without **Parts No.** are not supplied.

Les articles non mentionnés dans le **Parts No.** ne sont pas fournis.

Teile ohne **Parts No.** werden nicht geliefert.

21

Ref. No	Add-ress	New Parts	Parts No.	Description	Desti-nation	Re-marks
J63			E63-1252-05	PIN JACK	89	
J65-67			E56-0040-05	CYLINDRICAL RECEPTACLE		
J101			E63-1249-05	PIN JACK		
J102,103			E63-1250-05	PIN JACK		
J201			E11-0389-05	3.5D PHONE JACK(3.5 STEREO BL)	9	
J202			E11-0291-05	3.5D PHONE JACK(2P)	9	
J302			E63-1246-05	PIN JACK	89	
J303			E63-1248-05	PIN JACK	89	
J502		*	E70-0192-05	SCREW TERMINAL BOARD	89	
WH61		*	E82-6522-04	FINISHED WIRE		
WH62		*	E35-3653-05	WIRING HARNESS		
WH63		*	E35-3705-05	WIRING HARNESS		
WH64		*	E35-3706-05	WIRING HARNESS		
WH65		*	E35-3707-05	WIRING HARNESS		
WH303		*	E35-3696-05	WIRING HARNESS	89	
WH701		*	E35-3659-05	WIRING HARNESS	89	
WH704		*	E35-3658-05	WIRING HARNESS	89	
L201			L40-1011-58	SMALL FIXED INDUCTOR(100UH,K)	9	
L202			L92-0017-05	FERRITE CORE	9	
L502			L76-0018-05	DELAY LINE	79	
L503			L76-0019-05	DELAY LINE	8	
L504			L79-1262-05	LC FILTER	8	
L702			L39-0085-05	PHASE COMPENSATION COIL	89	
Δ R205			RD14BB2C101J	RD 100 J 1/6W	9	
R213,214			RD14NB2E471J	RD 470 J 1/4W	9	
R217			RD14NB2E471J	RD 470 J 1/4W	9	
R291			RD14NB2E471J	RD 470 J 1/4W	7	
R292			RK73GB1J472J	CHIP R 4.7K J 1/16W	7	
Δ R425			RD14NB2E561J	RD 560 J 1/4W	89	
R434			RD14NB2E150J	RD 15 J 1/4W	89	
Δ R450			RD14NB2E561J	RD 560 J 1/4W	89	
Δ R451			RD14NB2E102J	RD 1.0K J 1/4W	89	
R452			RD14NB2E150J	RD 15 J 1/4W	89	
R529			RK73GB1J103J	CHIP R 10K J 1/16W		
R530			RK73GB1J223J	CHIP R 22K J 1/16W		
R532			RK73GB1J332J	CHIP R 3.3K J 1/16W		
R534			RK73GB1J562J	CHIP R 5.6K J 1/16W		
R536			RK73GB1J103J	CHIP R 10K J 1/16W		
R539			RK73GB1J223J	CHIP R 22K J 1/16W		
R540			RK73GB1J103J	CHIP R 10K J 1/16W		
R542			RK73GB1J104J	CHIP R 100K J 1/16W		
R545			RK73GB1J101J	CHIP R 100 J 1/16W		
R546			RK73GB1J474J	CHIP R 470K J 1/16W		
R549			RK73GB1J183J	CHIP R 18K J 1/16W		
R550			RK73GB1J103J	CHIP R 10K J 1/16W		
R552			RK73GB1J363J	CHIP R 36K J 1/16W		
R554			RK73GB1J103J	CHIP R 10K J 1/16W		
R556			RK73GB1J472J	CHIP R 4.7K J 1/16W		
R561,562			RK73GB1J104J	CHIP R 100K J 1/16W		
R563,564			RK73GB1J102J	CHIP R 1.0K J 1/16W		
R600			RK73GB1J101J	CHIP R 100 J 1/16W		
R611,612			RK73GB1J101J	CHIP R 100 J 1/16W		
R613			RK73GB1J105J	CHIP R 1.0M J 1/16W		

L : Scandinavia K : USA P : Canada R : Mexico C : China I : Malaysia
 Y : PX(Far East,Hawaii) T : England E : Europe G : Germany V : China(Shanghai)
 Y : AAFES(Europe) X : Australia Q : Russia H : Korea M : Other Areas Δ indicates safety critical components.

* New Parts

Parts without **Parts No.** are not supplied.

Les articles non mentionnés dans le **Parts No.** ne sont pas fournis.

Teile ohne **Parts No.** werden nicht geliefert.

22

Ref. No	Add-ress	New Parts	Parts No.	Description	Desti-nation	Re-marks
Δ R617			RS14KB3A150J	FL-PROOF RS 15 J 1W		
R621-623			RK73GB1J104J	CHIP R 100K J 1/16W		
Δ R624			RS14KB3A150J	FL-PROOF RS 15 J 1W		
R667			RK73GB1J104J	CHIP R 100K J 1/16W		
Δ R671			RS14KB3A150J	FL-PROOF RS 15 J 1W		
Δ R674			RS14KB3A470J	FL-PROOF RS 47 J 1W		
R695			RK73GB1J101J	CHIP R 100 J 1/16W		
R699			RK73GB1J105J	CHIP R 1.0M J 1/16W		
R723,724			RD14NB2E221J	RD 220 J 1/4W	89	
R725,726			RD14NB2E562J	RD 5.6K J 1/4W	89	
R727,728			RD14NB2E331J	RD 330 J 1/4W	89	
R729,730			RD14NB2E221J	RD 220 J 1/4W	89	
R746			RD14NB2E330J	RD 33 J 1/4W	89	
R748			RS14KB3D4R7J	FL-PROOF RS 4.7 J 2W	89	
R752			RS14KB3D182J	FL-PROOF RS 1.8K J 2W	89	
R756			RD14NB2E470J	RD 47 J 1/4W	89	
R758			RD14NB2E470J	RD 47 J 1/4W	89	
R760			RD14NB2E271J	RD 270 J 1/4W	89	
VR702			R32-0030-05	SEMI FIXED VARIABLE RESISTOR	89	
W1 -10			R92-1252-05	CHIP R 0 OHM J 1/6W		
W70 -76			R92-1252-05	CHIP R 0 OHM J 1/6W		
K702			S76-0098-05	MAGNETIC RELAY	89	
D101			MTZJ10(B)	ZENER DIODE		
D101			RD10ES(B)	ZENER DIODE	89	
D155-157			MTZJ7.5(B)	ZENER DIODE	89	
D155-157			RD7.5JS(B)	ZENER DIODE	9	
D201-205			HSS104A	DIODE	9	
Δ D201-205			1SS133	DIODE	9	
D206			HSS104A	DIODE	9	
D206			1SS133	DIODE	7	
D291			MTZJ20(B)	ZENER DIODE	7	
D292			MTZJ30(B)	ZENER DIODE	89	
D401			MTZJ3.9(B)	ZENER DIODE	89	
D401			RD3.9ES(B)	ZENER DIODE	89	
D402			MTZJ5.1(B)	ZENER DIODE	89	
D402			RD5.1ES(B)	ZENER DIODE	89	
D503			DA204U	DIODE		
D503			1SS302	DIODE		
D652			HSS104A	DIODE		
D652			1SS133	DIODE		
D655,656			MTZJ5.6(B)	ZENER DIODE		
D655,656			RD5.6ES(B)	ZENER DIODE		
D701-704			HSS104A	DIODE	89	
D701-704			1SS133	DIODE	89	
D706			1SS244	DIODE	89	
D708			HSS104A	DIODE	89	
D708			1SS133	DIODE	89	
D710			HSS104A	DIODE	89	
D710			1SS133	DIODE	89	
IC3			BU4066BC	ANALOGUE IC	89	
IC6		*	NJM4580D-D	IC(OP AMP X2)	89	
IC11		*	NJM2585M	ANALOGUE IC		
IC65			LA79510M	ANALOGUE IC		

L : Scandinavia K : USA P : Canada R : Mexico C : China I : Malaysia
 Y : PX(Far East,Hawaii) T : England E : Europe G : Germany V : China(Shanghai)
 Y : AAFES(Europe) X : Australia Q : Russia H : Korea M : Other Areas Δ indicates safety critical components.

KRF-X9080D/VR-8070/8060 PARTS LIST

* New Parts

Parts without **Parts No.** are not supplied.

Les articles non mentionnés dans le **Parts No.** ne sont pas fournis.

Teile ohne **Parts No.** werden nicht geliefert.

25

Ref. No	Add-ress	New Parts	Parts No.	Description	Desti-nation	Re-marks
C841			CE04EW0J102M	ELECTRO 1000UF 6.3WV	79	
C842			C90-1826-05	BACKUP-C 0.047F 5.5WV	8	
C843			CE04LW1H010M	ELECTRO 1.0UF 50WV		
C844			CK45FF1H103Z	CERAMIC 0.010UF Z		
C845			CK73GB1H103K	CHIP C 0.010UF K		
C851			CE04LW1H100M	ELECTRO 10UF 50WV		
C852-855			CC45FSL1H221J	CERAMIC 220PF J		
C856,857			CK45FF1H103Z	CERAMIC 0.010UF Z		
C858			CE04LW1A101M	ELECTRO 100UF 10WV		
C907			CK73GB1H103K	CHIP C 0.010UF K		
C908			CK45FF1H103Z	CERAMIC 0.010UF Z	Y1	
C909			CK73GB1H103K	CHIP C 0.010UF K		
CN1			E40-8386-05	PIN ASSY	Y1	
CN41			E40-3261-05	PIN ASSY		
CN45			E40-4245-05	PIN ASSY		
CN46			E40-4632-05	PIN ASSY	8	
CN47			E40-4245-05	PIN ASSY	X1E1E2	
CN47			E40-4245-05	PIN ASSY	79	
CN48			E40-4428-05	PIN ASSY	Y1	
CN49			E40-3246-05	PIN ASSY		
CN50			E40-3251-05	PIN ASSY		
CN70			E40-3261-05	PIN ASSY		
CN80			E40-3261-05	PIN ASSY		
Δ J2			E03-0396-05	AC OUTLET	79Y1	
Δ J3			E03-0398-05	AC OUTLET	E1E2	
Δ J5			E03-0325-05	AC OUTLET	X1	
Δ J20			E63-1251-05	PIN JACK		
J21			E56-0033-05	CYLINDRICAL RECEPTACLE		
WH1		*	E35-2554-05	WIRING HARNESS	Y1	
WH5		*	E35-2167-05	WIRING HARNESS	8	
WH20		*	E35-3159-15	WIRING HARNESS		
WH20		*	E35-3445-05	WIRING HARNESS		
WH20		*	E35-3521-05	WIRING HARNESS		
WH42		*	E35-3158-25	WIRING HARNESS		
WH42		*	E35-3444-05	WIRING HARNESS		
WH42		*	E35-3525-05	WIRING HARNESS		
WH70		*	E35-2560-05	WIRING HARNESS		
WH70		*	E35-3513-05	WIRING HARNESS		
WH78		*	E35-3149-15	WIRING HARNESS		
WH78		*	E35-3435-05	WIRING HARNESS		
WH78		*	E35-3519-05	WIRING HARNESS		
WH80		*	E35-3251-05	WIRING HARNESS		
WH80		*	E35-3446-05	WIRING HARNESS		
WH80		*	E35-3516-05	WIRING HARNESS		
WH86		*	E35-3405-05	LEAD WIRE	E1E2	
WH87		*	E35-3150-15	WIRING HARNESS		
WH87		*	E35-3436-05	WIRING HARNESS		
WH87		*	E35-3520-05	WIRING HARNESS		
WH88		*	E35-3151-15	WIRING HARNESS		
WH88		*	E35-3437-05	WIRING HARNESS		
WH88		*	E35-3512-05	WIRING HARNESS		
WH89		*	E35-3152-15	WIRING HARNESS		
WH89		*	E35-3438-05	WIRING HARNESS		
WH89		*	E35-3524-05	WIRING HARNESS		

L : Scandinavia K : USA P : Canada R : Mexico C : China I : Malaysia
 Y : PX(Far East,Hawaii) T : England E : Europe G : Germany V : China(Shanghai)
 Y : AAFES(Europe) X : Australia Q : Russia H : Korea M : Other Areas Δ indicates safety critical components .

* New Parts

Parts without **Parts No.** are not supplied.

Les articles non mentionnés dans le **Parts No.** ne sont pas fournis.

Teile ohne **Parts No.** werden nicht geliefert.

26

Ref. No	Add-ress	New Parts	Parts No.	Description	Desti-nation	Re-marks
WH90		*	E35-3345-05	WIRING HARNESS		
WH90		*	E35-3447-05	WIRING HARNESS		
WH90		*	E35-3527-05	WIRING HARNESS		
WH91		*	E35-3154-25	WIRING HARNESS		
WH91		*	E35-3440-05	WIRING HARNESS		
WH91		*	E35-3517-05	WIRING HARNESS		
WH92		*	E35-3153-15	WIRING HARNESS		
WH92		*	E35-3439-05	WIRING HARNESS		
WH92		*	E35-3518-05	WIRING HARNESS		
WH93		*	E35-3155-25	WIRING HARNESS		
WH93		*	E35-3441-05	WIRING HARNESS		
WH93		*	E35-3523-05	WIRING HARNESS		
WH94		*	E35-3156-15	WIRING HARNESS		
WH94		*	E35-3442-05	WIRING HARNESS		
WH94		*	E35-3526-05	WIRING HARNESS		
Δ F1			F05-4025-05	FUSE (SEMKO) (250V T4A L)	8	
Δ F1			F50-0078-05	FUSE(5X20)	79	
Δ F2			F06-1022-05	FUSE (SEMKO) (250V T1AL)	8	
Δ F3			F05-4025-05	FUSE (SEMKO) (250V T4A L)	Y1	
CN3,4			J13-0075-05	FUSE CLIP	Y1	
CN11,12			J13-0075-05	FUSE CLIP		
CN21,22			J13-0075-05	FUSE CLIP	8	
Δ T1			L07-2758-05	POWER TRANSFORMER	X1	
Δ T1			L07-2761-05	POWER TRANSFORMER	E1E2	
Δ T1			L07-2805-05	POWER TRANSFORMER	Y1	
Δ T1			L07-2809-05	POWER TRANSFORMER	79	
X701			L78-0725-05	RESONATOR (8.38MHZ)		
X811			L77-2002-05	CRYSTAL RESONATOR(4.332MHZ)	E1E2	
R120			RK73GB1J102J	CHIP R 1.0K J 1/16W		
Δ R410			RS14KB3D181J	FL-PROOF RS 180 J 2W		
Δ R453			RD14NB2E1R0J	RD 1 J 1/4W		
Δ R454			RD14NB2E150J	RD 15 J 1/4W	Y1	
Δ R454			RD14NB2E270J	RD 27 J 1/4W	X1E1E2	
Δ R454			RD14NB2E270J	RD 27 J 1/4W	79	
Δ R457			R92-1844-05	CARBON 3.3M J 1/2W	79	
Δ R458			RD14NB2E120J	RD 12 J 1/4W	Y1	
R776			RD14NB2E100J	RD 10 J 1/4W		
R779			RK73GB1J333J	CHIP R 33K J 1/16W		
R780			RD14NB2E100J	RD 10 J 1/4W		
R782			RK73GB1J303J	CHIP R 30K J 1/16W		
R801,802			RK73GB1J331J	CHIP R 330 J 1/16W		
R803			RK73GB1J104J	CHIP R 100K J 1/16W		
R805			RK73GB1J104J	CHIP R 100K J 1/16W		
R807,808			RK73GB1J103J	CHIP R 10K J 1/16W		
R834			RD14NB2E102J	RD 1.0K J 1/4W	Y1	
R894			RK73GB1J101J	CHIP R 100 J 1/16W		
R896-898			RK73GB1J101J	CHIP R 100 J 1/16W		
R910,911			RK73GB1J104J	CHIP R 100K J 1/16W		
R922-924			RK73GB1J101J	CHIP R 100 J 1/16W		
R926			RK73GB1J101J	CHIP R 100 J 1/16W		
R935			RK73GB1J101J	CHIP R 100 J 1/16W		
R938,939			RK73GB1J101J	CHIP R 100 J 1/16W		
R951,952			RK73GB1J104J	CHIP R 100K J 1/16W		

L : Scandinavia K : USA P : Canada R : Mexico C : China I : Malaysia
 Y : PX(Far East,Hawaii) T : England E : Europe G : Germany V : China(Shanghai)
 Y : AAFES(Europe) X : Australia Q : Russia H : Korea M : Other Areas Δ indicates safety critical components .

KRF-X9080D/VR-8070/8060 PARTS LIST

* New Parts
Parts without **Parts No.** are not supplied.
Les articles non mentionnés dans le **Parts No.** ne sont pas fournis.
Teile ohne **Parts No.** werden nicht geliefert.

27

Ref. No	Add-ress	New Parts	Parts No.	Description	Desti-nation	Re-marks
R967-969			RK73GB1J104J	CHIP R 100K J 1/16W		
R970			RK73GB1J153J	CHIP R 15K J 1/16W		
R971,972			RK73GB1J104J	CHIP R 100K J 1/16W		
R977			RK73GB1J123J	CHIP R 12K J 1/16W	Y1	
R977			RK73GB1J273J	CHIP R 27K J 1/16W	E1E2	
R977			RK73GB1J472J	CHIP R 4.7K J 1/16W	X1	
R993			RK73GB1J101J	CHIP R 100 J 1/16W		
R997			RD14NB2E1R0J	RD 1 J 1/4W		
W999			R92-0679-05	CHIP R 0 OHM		
Δ K451			S76-0107-05	MAGNETIC RELAY	79	
Δ K451			S76-0110-05	MAGNETIC RELAY	8	
Δ S1			S62.1.5	SLIDE SWITCH	Y1	
Δ S2			S68-0142-05	PUSH SWITCH	8	
Δ S701-725			S70-0086-05	TACT SWITCH		
S731-733			S70-0086-05	TACT SWITCH		
S761,762			T99-0663-05	ROTARY ENCODER		
S763			T99-0664-05	ROTARY ENCODER		
Δ D401			D2SBA20F03	DIODE		
Δ D451,452			1SS133	DIODE		
Δ D453			S1ZB20(4101)	DIODE		
D454			1SS133	DIODE		
D455			RB721Q	DIODE		
D501-504			1SS133	DIODE		
D776			MTZJ5.1(B)	ZENER DIODE		
D776			RD5.1ES(B)	ZENER DIODE		
Δ D791			1SS133	DIODE		
Δ D801-806			1SS133	DIODE		
D831			1SS133	DIODE	Y1	
Δ D841			RB721Q	DIODE		
D842			1SS133	DIODE		
Δ D843			RB721Q	DIODE		
D844			1SS133	DIODE		
D846			1SS133	DIODE		
D961-964			1SS133	DIODE		
ED78			HNA-16MM36T	FLUORESCENT INDICATOR TUBE		
Δ IC45			BA05T	ANALOGUE IC		
IC74			BU2090	ANALOGUE IC		
IC78			LC75711NED	MOS-IC		
Δ IC79			XC6202P502PR	ANALOGUE IC		
IC81			BU1923	ANALOGUE IC	E1E2	
IC83			S-80840CNY	ANALOGUE IC	Y1	
IC84			S-80840CNY	ANALOGUE IC		
IC90		*	MN101C49HNJ2	MICROCONTROLLER IC	7	
IC90		*	MN101C49HMK	MICROCONTROLLER IC	89	
Δ IC401			KIA7812API	ANALOGUE IC		
Δ IC402			KIA7912PI	ANALOGUE IC		
Δ Q451			KTC3199(Y,GR)	TRANSISTOR		
Q451			2SC1740S(Q,R)	TRANSISTOR		
Q451			2SC2785(F,E)	TRANSISTOR		
Q731			DTC113ZSA	DIGITAL TRANSISTOR		
Q731			UN4219	DIGITAL TRANSISTOR		
Q776			KTC3199(Y,GR)	TRANSISTOR		
Q776			2SC1740S(Q,R)	TRANSISTOR		

L : Scandinavia K : USA P : Canada R : Mexico C : China I : Malaysia
Y : PX(Far East,Hawaii) T : England E : Europe G : Germany V : China(Shanghai)
Y : AAFES(Europe) X : Australia Q : Russia H : Korea M : Other Areas Δ indicates safety critical components .

* New Parts
Parts without **Parts No.** are not supplied.
Les articles non mentionnés dans le **Parts No.** ne sont pas fournis.
Teile ohne **Parts No.** werden nicht geliefert.

28

Ref. No	Add-ress	New Parts	Parts No.	Description	Desti-nation	Re-marks
Q776			2SC2785(F,E)	TRANSISTOR		
Q777,778			DTC124ESA	DIGITAL TRANSISTOR		
Q777,778			KRC103M	DIGITAL TRANSISTOR		
Q777,778			UN4212	DIGITAL TRANSISTOR		
Q841			KTC3199(Y,GR)	TRANSISTOR		
Q841			2SC1740S(Q,R)	TRANSISTOR		
Q841			2SC2785(F,E)	TRANSISTOR		
Q842			KTA1267(Y,GR)	TRANSISTOR		
Q842			2SA1175(F,E)	TRANSISTOR		
Q842			2SA933AS(Q,R)	TRANSISTOR		
Q843			DTC113ZSA	DIGITAL TRANSISTOR		
Q843			UN4219	DIGITAL TRANSISTOR		
Δ TH1			MF-R090	THERMISTOR		
A791			W02-2769-05	ELECTRIC CIRCUIT MODULE		
SUB (X25-6620-12) VR-8060						
C305,306			CC45FSL1H221J	CERAMIC 220PF J		
C310			CC45FSL1H221J	CERAMIC 220PF J		
C311-313			CK45FB1H332K	CERAMIC 3300PF K		
C315-317			CC45FSL1H101J	CERAMIC 100PF J		
C406			CE04KW1H220M	ELECTRO 22UF 50WV		
C412			CC45FSL1H221J	CERAMIC 220PF J		
C419			CE04KW1E221M	ELECTRO 220UF 25WV		
C420			CE04KW1E101M	ELECTRO 100UF 25WV		
C430			CC45FCH1H100D	CERAMIC 10PF D		
C433,434			CE04KW1E470M	ELECTRO 47UF 25WV		
C438			CE04HW1E220M	NP-ELEC 22UF 25WV		
C440			CE04KW1E470M	ELECTRO 47UF 25WV		
C446			CE04KW1H220M	ELECTRO 22UF 50WV		
C449			CE04KW1H220M	ELECTRO 22UF 50WV		
C450			CE04KW1H4R7M	ELECTRO 4.7UF 50WV		
C451			CE04KW1E221M	ELECTRO 220UF 25WV		
C452			CE04KW1H220M	ELECTRO 22UF 50WV		
C453,454			CC45FSL1H221J	CERAMIC 220PF J		
C457			CQ93FMG1H392J	MYLAR 3900PF J		
C458			CC45FCH1H100D	CERAMIC 10PF D		
C459			CC45FSL1H470J	CERAMIC 47PF J		
CN301			E40-8483-05	FLAT CABLE CONNECTOR		
CN302			E40-4101-05	PIN ASSY		
CN303			E40-3248-05	PIN ASSY		
CN304			E40-4248-05	PIN ASSY		
J301			E70-0150-05	SCREW TERMINAL BOARD		
J302			E63-0133-15	PIN JACK		
J303			E63-1146-05	PIN JACK		
WH1		*	E35-3390-05	WIRING HARNESS		
WH1		*	E35-3514-05	WIRING HARNESS		
WH2		*	E35-3247-05	WIRING HARNESS		
Δ R425			RD14NB2E561J	RD 560 J 1/4W		
R434			RD14GB2E150J	FL-PROOF RD 15 J 1/4W		
R452			RD14GB2E150J	FL-PROOF RD 15 J 1/4W		
D401			MTZJ3.9(B)	ZENER DIODE		
D401			RD3.9ES(B)	ZENER DIODE		
IC403			NJM4580D-D	IC(OP AMP X2)		
IC404			NJM4565D-D	IC(OP AMP X2)		

L : Scandinavia K : USA P : Canada R : Mexico C : China I : Malaysia
Y : PX(Far East,Hawaii) T : England E : Europe G : Germany V : China(Shanghai)
Y : AAFES(Europe) X : Australia Q : Russia H : Korea M : Other Areas Δ indicates safety critical components .

KRF-X9080D/VR-8070/8060

PARTS LIST

29

* New Parts
Parts without **Parts No.** are not supplied.
Les articles non mentionnés dans le **Parts No.** ne sont pas fournis.
Teile ohne **Parts No.** werden nicht geliefert.

Ref. No	Add-ress	New Parts	Parts No.	Description	Desti-nation	Re-marks
C305,306 C310 C315,316 C320 C402 C402 C402			2SC2878(B) 2SC2878(B) 2SC2878(B) 2SC2878(B) DTA124ESA KRA103M UN4112	TRANSISTOR TRANSISTOR TRANSISTOR TRANSISTOR DIGITAL TRANSISTOR DIGITAL TRANSISTOR DIGITAL TRANSISTOR		

L : Scandinavia
Y : PX(Far East,Hawaii)
Y : AAFES(Europe)

K : USA
T : England
X : Australia

P : Canada
E : Europe
Q : Russia

R : Mexico
G : Germany
H : Korea

C : China
V : China(Shanghai)
M : Other Areas

I : Malaysia
Δ indicates safety critical components .

Model Name	Model #		ABB.	Surround	Audio	Sub	Display	Sub
VR-8070	Y05-4940-10	K	K1	X08-3310-12	X09-6860-10	X13-7940-11	X14-7780-11	-
VR-8070	Y05-4941-01	P	P1	X08-3310-12	X09-6860-10	X13-7940-11	X14-7780-11	-
VR-8070-S	Y05-4940-11	K	K2	X08-3310-12	X09-6860-10	X13-7940-11	X14-7780-11	-
VR-8070-S	Y05-4941-02	P	P2	X08-3310-12	X09-6860-10	X13-7940-11	X14-7780-11	-
KRF-X9080D	Y05-4942-91	y	Y1	X08-3312-91	X09-6862-91	X13-7942-91	X14-7782-91	-
KRF-X9080D-S	Y05-4940-71	x	X1	X08-3310-71	X09-6862-91	X13-7940-71	X14-7780-71	-
KRF-X9080D	Y05-4942-71	E	E1	X08-3312-72	X09-6862-71	X13-7942-71	X14-7782-71	-
KRF-X9080D-S	Y05-4942-72	E	E2	X08-3312-72	X09-6862-71	X13-7942-71	X14-7782-71	-
VR-8060-S	Y05-4940-12	K	K3	X08-3310-11	X09-6760-13	X13-7940-10	X14-7780-10	X25-6620-12
VR-8060-S	Y05-4940-13	P	P3	X08-3310-11	X09-6760-13	X13-7940-10	X14-7780-10	X25-6620-12

HOW TO READ THE PARTS LIST

ABBREVIATION OF MODEL AND MASS PRODUCTION'S DESTINATIONS

MODEL	ABB.	Australia	Canada	China	England	Europe	Germany	Korea	Malaysia
		X	P	-	-	E	-	-	-
VR-8070	9	-	P1	-	-	-	-	-	-
VR-8070-S	9	-	P2	-	-	-	-	-	-
KRF-X9080D	8	-	-	-	-	E1	-	-	-
KRF-X9080D-S	8	X1	-	-	-	E2	-	-	-
VR-8060	7	-	P3	-	-	-	-	-	-
MODEL	ABB.	Mexico	PX/AAFES	Russia	Scandinavia	Shanghai	USA	Other area	
		-	Y	-	-	-	K	-	
VR-8070	9	-	-	-	-	-	K1	-	-
VR-8070-S	9	-	-	-	-	-	K2	-	-
KRF-X9080D	8	-	Y1	-	-	-	-	-	-
KRF-X9080D-S	8	-	-	-	-	-	-	-	-
VR-8060	7	-	-	-	-	-	K3	-	-

KRF-X9080D/VR-8070/8060

SPECIFICATIONS

KRF-X9080D/X9080D-S(For Europe)

AUDIO section

Rated power output during STEREO operation	
DIN/IEC (20 Hz ~ 20kHz, 0.09 % T.H.D. at 6 Ω)	100 W + 100 W
(1 kHz, 10 % T.H.D. at 6 Ω)	150 W + 150 W
Effective power output during SURROUND operation	
FRONT	
(20 Hz ~ 20 kHz, 0.09 % T.H.D. at 6 Ω one channel driven)	100 W + 100 W
(1 kHz, 10 % T.H.D. at 6 Ω one channel driven)	150 W + 150 W
CENTER	
(20 Hz ~ 20 kHz, 0.09 % T.H.D. at 6 Ω one channel driven)	100 W
(1 kHz, 10 % T.H.D. at 6 Ω one channel driven)	150 W
SURROUND	
(20 Hz ~ 20 kHz, 0.7 % T.H.D. at 6 Ω one channel driven)	100 W + 100 W
(1 kHz, 10 % T.H.D. at 6 Ω one channel driven)	150 W + 150 W
SURROUND BACK	
(20 Hz ~ 20 kHz, 0.7 % T.H.D. at 6 Ω one channel driven)	100 W + 100 W
(1 kHz, 10 % T.H.D. at 6 Ω one channel driven)	150 W + 150 W
Total harmonic distortion	0.009 % (1 kHz, 50 W, 6 Ω)
Frequency response	
Line (CD/DVD, TAPE, VIDEO 1, VIDEO 2, VIDEO 3, DVD/6CH)	10 Hz ~ 100 kHz, 0 dB ~ -3.0 dB
PHONO 'RIAA' response	40 Hz ~ 20 kHz, +1.5 dB ~ -3.0 dB
Maximum input level	
PHONO (MM)	40 mV, 1 % T.H.D. at 1 kHz
Signal to noise ratio (IHF'66)	
PHONO (MM)	75 dB
Line (CD/DVD, TAPE, VIDEO 1, VIDEO 2, VIDEO 3, DVD/6CH)	95 dB
Loudness control	
VOLUME at -30 dB level	+6 dB (100 Hz)
Input sensitivity / impedance	
PHONO (MM)	4 mV / 47 kΩ
Line (CD/DVD, TAPE, VIDEO 1, VIDEO 2, VIDEO 3, DVD/6CH)	300 mV / 47 kΩ
Output level / impedance	
TAPE REC	300 mV / 1 kΩ
PRE OUT (FRONT CHANNEL)	1 V / 500 Ω
PRE OUT (CENTER CHANNEL)	1 V / 500 Ω
PRE OUT (SURROUND CHANNEL)	1 V / 500 Ω
PRE OUT (SURROUND BACK CHANNEL)	1 V / 500 Ω
PRE OUT (SUBWOOFER)	1 V / 500 Ω
Tone control	
BASS	±10 dB (at 100 Hz)
TREBLE	±10 dB (at 10 kHz)

DIGITAL AUDIO section

Sampling frequency	32 kHz, 44.1 kHz, 48 kHz, 96 kHz
Input level / impedance / wave length	
Optical	-15 dBm ~ -24 dBm, 660 nm ±30 nm
Coaxial	0.5 Vp-p / 75 Ω
Output level / impedance / wave length	
Optical	-21 dBm ~ -15 dBm, 660 nm ±30 nm

VIDEO section

VIDEO inputs / outputs	
VIDEO (composite)	1 Vp-p / 75 Ω
S VIDEO inputs / outputs	
S VIDEO (luminance signal)	1 Vp-p / 75 Ω
S VIDEO (chrominance signal)	0.286 Vp-p / 75 Ω
COMPONENT VIDEO inputs/ outputs	
COMPONENT VIDEO (luminance signal)	1 Vp-p / 75 Ω
COMPONENT VIDEO (CB/CR-signal)	0.7 Vp-p / 75 Ω

FM tuner section

Tuning frequency range	87.5 MHz ~ 108.0 MHz
Usable sensitivity	
MONO	1.3 μV (75 Ω) / 13.2 dBf (40 kHz dev, S/N 26 dB)
STEREO	45 μV (75 Ω) / 42.1 dBf (40 + 6 kHz dev, S/N 46 dB)
Total harmonic distortion (DIN at 1 kHz)	
MONO (1 kHz, 40 kHz dev)	0.2% (65.2 dBf input)
STEREO (1 kHz, 40 + 6 kHz dev)	0.8% (65.2 dBf input)
Signal to noise ratio (DIN weighted at 1 kHz)	
MONO	65 dB (65.2 dBf input)
STEREO	60 dB (65.2 dBf input)
Stereo separation (1 kHz)	36 dB
Selectivity (DIN ±300 kHz)	64 dB
Frequency response (30 Hz ~ 15 kHz)	+0.5 dB, -3.0 dB

AM tuner section

Tuning frequency range	531 kHz ~ 1,602 kHz
Usable sensitivity (30% mod, S/N 20 dB)	16 μV / (600 μV/m)
Signal to noise ratio (30% mod, 400 Hz)	50 dB (60 dBμV EMF input)

GENERAL

Power consumption	330 W
Standby Power consumption	less than 1.5W
AC outlet	
SWITCHED	(total 90 W max.)
Dimensions	W : 440 mm (17-5/16")
	H : 159 mm (6-1/4")
	D : 392 mm (15-7/16")
Weight (Net)	12.0 kg (26.5 lb)

Notes

1. KENWOOD follows a policy of continuous advancements in development. For this reason specifications may be changed without notice.
2. The full performance may not be exhibited in an extremely cold location (under a water-freezing temperature).

KRF-X9080D/VR-8070/8060

SPECIFICATIONS

KRF-X9080D/X9080D-S(For other countries)

AUDIO section

Rated power output during STEREO operation	
DIN/IEC (20 Hz ~ 20kHz, 0.09 % T.H.D. at 8 Ω)	100 W + 100 W
(1 kHz, 10 % T.H.D. at 8 Ω)	130 W + 130 W
Effective power output during SURROUND operation	
FRONT	
(20 Hz ~ 20 kHz, 0.09 % T.H.D. at 8 Ω one channel driven)	100 W + 100 W
(1 kHz, 10 % T.H.D. at 8 Ω one channel driven)	130 W + 130 W
CENTER	
(20 Hz ~ 20 kHz, 0.09 % T.H.D. at 8 Ω one channel driven)	100 W
(1 kHz, 10 % T.H.D. at 8 Ω one channel driven)	130 W
SURROUND	
(20 Hz ~ 20 kHz, 0.7 % T.H.D. at 8 Ω one channel driven)	100 W + 100 W
(1 kHz, 10 % T.H.D. at 8 Ω one channel driven)	130 W + 130 W
SURROUND BACK	
(20 Hz ~ 20 kHz, 0.7 % T.H.D. at 8 Ω one channel driven)	100W + 100 W
(1 kHz, 10 % T.H.D. at 8 Ω one channel driven)	130 W + 130 W
Total harmonic distortion	0.009 % (1 kHz, 50 W, 8 Ω)
Frequency response	(CD/DVD, TAPE, VIDEO 1, VIDEO 2, VIDEO 3, DVD/6CH) 10 Hz ~ 100 kHz, 0 dB ~ -3.0 dB
PHONO 'RIAA' response	40 Hz ~ 20 kHz, +1.5 dB ~ -3.0 dB
Maximum input level	
PHONO (MM)	40 mV, 1 % T.H.D. at 1 kHz
Signal to noise ratio (IHF'66)	
PHONO (MM)	75 dB
Line (CD/DVD, TAPE, VIDEO 1, VIDEO 2, VIDEO 3, DVD/6CH)	95 dB
Loudness control	
VOLUME at -30 dB level	+6 dB (100 Hz)
Input sensitivity / impedance	
PHONO (MM)	4 mV / 47 kΩ
(CD/DVD, TAPE, VIDEO 1, VIDEO 2, VIDEO 3, DVD/6CH)	300 mV / 47 kΩ
Output level / impedance	
TAPE REC	300 mV / 1 kΩ
PRE OUT (FRONT CHANNEL)	1 V / 500 Ω
PRE OUT (CENTER CHANNEL)	1 V / 500 Ω
PRE OUT (SURROUND CHANNEL)	1 V / 500 Ω
PRE OUT (SURROUND BACK CHANNEL)	1 V / 500 Ω
PRE OUT (SUBWOOFER)	1 V / 500 Ω
Tone control	
BASS	±10 dB (at 100 Hz)
TREBLE	±10 dB (at 10 kHz)

DIGITAL AUDIO section

Sampling frequency	32 kHz, 44.1 kHz, 48 kHz, 96 kHz
Input level / impedance / wave length	
Optical	-15 dBm ~ -24 dBm, 660 nm ±30 nm
Coaxial	0.5 Vp-p / 75 Ω
Output level / impedance / wave length	
Optical	-21 dBm ~ -15 dBm, 660 nm ±30 nm

VIDEO section

VIDEO inputs / outputs	
VIDEO (composite)	1 Vp-p / 75 Ω
S VIDEO inputs / outputs	
S VIDEO (luminance signal)	1 Vp-p / 75 Ω
S VIDEO (chrominance signal)	0.286 Vp-p / 75 Ω
COMPONENT VIDEO inputs / outputs	
COMPONENT VIDEO (luminance signal)	1 Vp-p / 75 Ω
COMPONENT VIDEO (CB/CR-signal)	0.7 Vp-p / 75 Ω

FM tuner section

Tuning frequency range	87.5 MHz ~ 108.0 MHz
Usable sensitivity	
MONO	1.6 μV (75 Ω) / 15.2 dBf (75 kHz dev, SINAD 30 dB)
50dB quieting sensitivity	
STEREO	28 μV (75 Ω) / 40.2 dBf (75 kHz dev)
Total harmonic distortion	
MONO (1 kHz, 75 kHz dev)	0.5% (65 dBf input)
STEREO (1 kHz, 67.5 + 67.5 kHz dev)	0.7% (65 dBf input)
Signal to noise ratio	
MONO (1 kHz, 75 kHz dev)	75 dB (65 dBf input)
STEREO (1 kHz, 67.5 + 67.5 kHz dev)	68 dB (65 dBf input)
Stereo separation (1 kHz)	40 dB
Selectivity (±400 kHz)	50 dB
Frequency response (30 Hz ~ 15 kHz)	+0.5 dB, -3.0 dB

AM tuner section

Tuning frequency range (9 kHz step)	531 kHz ~ 1,602 kHz
(10 kHz step)	530 kHz ~ 1,610 kHz
Usable sensitivity (30% mod, S/N 20 dB)	16 μV / (600 μV/m)
Signal to noise ratio (30% mod, 400 Hz)	50 dB (60 dBμV EMF input)

GENERAL

Power consumption	300 W
Standby Power consumption	less than 1.5W
AC outlet	
SWITCHED	(total 90 W max.)
Dimensions	W : 440 mm(17-5/16")
	H : 159 mm (6-1/4")
	D : 392 mm (15-7/16")
Weight (Net)	12.1 kg (26.7 lb)

KRF-X9080D/VR-8070/8060

SPECIFICATIONS

VR-8070/8070-S, VR-8060-S

AUDIO section

Rated power output during STEREO operation

100 watts per channel minimum RMS, both channels driven, at 8 Ω from 20 Hz to 20 kHz with no more than 0.09% total harmonic distortion. (FTC)

Effective power output during SURROUND operation

VR-8070/8070-S	
FRONT (20 ~ 20 kHz, 0.09 % T.H.D. at 8 Ω one channel driven)	100 W + 100 W
CENTER (20 ~ 20 kHz, 0.09 % T.H.D. at 8 Ω one channel driven)	100 W
SURROUND (20 ~ 20 kHz, 0.7 % T.H.D. at 8 Ω one channel driven)	100 W + 100 W
SURROUND BACK (20 ~ 20 kHz, 0.7 % T.H.D. at 8 Ω one channel driven)	100 W + 100 W
VR-8060-S	
FRONT (20 ~ 20 kHz, 0.09 % T.H.D. at 8 Ω one channel driven)	100 W + 100 W
CENTER (20 ~ 20 kHz, 0.09 % T.H.D. at 8 Ω one channel driven)	100 W
SURROUND (20 ~ 20 kHz, 0.7 % T.H.D. at 8 Ω one channel driven)	100 W + 100 W
SURROUND BACK/SUBWOOFER (20 ~ 20 kHz, 0.09 % T.H.D. at 8 Ω one channel driven)	100 W
Total harmonic distortion	0.009 % (1 kHz, 50 W, 8 Ω)
Frequency response	
Line (CD/DVD, TAPE, VIDEO 1, VIDEO 2, VIDEO 3, DVD/6CH)	10 Hz ~ 100 kHz, 0 dB ~ -3.0 dB
PHONO 'RIAA' response	
PHONO (MM)	40 Hz ~ 20 kHz, +1.5 dB ~ -3.0 dB
Maximum input level	
PHONO (MM)	40 mV, 1 % T.H.D. at 1 kHz
Signal to noise ratio (IHF'66)	
PHONO (MM)	75 dB
Line (CD/DVD, TAPE, VIDEO 1, VIDEO 2, VIDEO 3, DVD/6CH)	95 dB
Loudness control	
VOLUME at -30 dB level	+6 dB (100 Hz)
Input sensitivity / impedance	
VR-8070/8070-S	
PHONO (MM)	4 mV / 47 k Ω
Line (CD/DVD, TAPE, VIDEO 1, VIDEO 2, VIDEO 3, DVD/6CH)	300 mV / 47 k Ω
VR-8060-S	
PHONO (MM)	6 mV / 47 k Ω
Line (CD/DVD, TAPE, VIDEO 1, VIDEO 2, VIDEO 3, DVD/6CH)	500 mV / 47 k Ω
Output level / impedance	
VR-8070/8070-S	
TAPE REC	300 mV / 1 k Ω
PRE OUT (FRONT CHANNEL)	1 V / 500 Ω
PRE OUT (CENTER CHANNEL)	1 V / 500 Ω
PRE OUT (SURROUND CHANNEL)	1 V / 500 Ω
PRE OUT (SURROUND BACK CHANNEL)	1 V / 500 Ω
PRE OUT (SUBWOOFER)	1 V / 500 Ω

VR-8060-S	
TAPE REC	500 mV / 1 k Ω
PRE OUT (SURROUND BACK CHANNEL)	1 V / 1 k Ω
PRE OUT (SUBWOOFER)	1 V / 1 k Ω
Tone control	
Optical	-15 dBm ~ -24 dBm, 660 nm \pm 30 nm
Coaxial	0.5 Vp-p / 75 Ω
Output level / impedance / wave length	
Optical	-21 dBm ~ -15 dBm, 660 nm \pm 30 nm

VIDEO section

VIDEO inputs / outputs	
VIDEO (composite)	1 Vp-p / 75 Ω
S VIDEO inputs / outputs	
S VIDEO (luminance signal)	1 Vp-p / 75 Ω
S VIDEO (chrominance signal)	0.286 Vp-p / 75 Ω
COMPONENT VIDEO inputs / outputs	
COMPONENT VIDEO (luminance signal)	1 Vp-p / 75 Ω
COMPONENT VIDEO (CB/CR-signal)	0.7 Vp-p / 75 Ω

FM tuner section

Tuning frequency range	87.5 MHz ~ 108.0 MHz
Usable sensitivity (MONO)	
STEREO (1 kHz, 75 Ω) / 13.2 dBf (75 kHz dev, SINAD 30 dB)	1.3 μ V (75 Ω) / 13.2 dBf (75 kHz dev, SINAD 30 dB)
50 dB quieting sensitivity	
STEREO	28 μ V (75 Ω) / 40.2 dBf (75 kHz dev)
Total harmonic distortion	
MONO (1 kHz, 75 kHz dev)	0.5% (65 dBf input)
STEREO (1 kHz, 67.5 + 67.5 kHz dev)	0.7% (65 dBf input)
Signal to noise ratio	
MONO (1 kHz, 75 kHz dev)	75 dB (65 dBf input)
STEREO (1 kHz, 67.5 + 67.5 kHz dev)	68 dB (65 dBf input)
Stereo separation (1 kHz)	40 dB
Selectivity (\pm 400 kHz)	70 dB
Frequency response (30 Hz ~ 15 kHz)	+0.5 dB, -3.0 dB

AM tuner section

Tuning frequency range	
10 kHz step	530 kHz ~ 1,700 kHz
Usable sensitivity (30% mod, S/N 20 dB)	
STEREO	16 μ V / (600 μ V/m)
Signal to noise ratio (30% mod, 400 Hz)	
STEREO	50 dB (60 dB μ V EMF input)

GENERAL

Power consumption	3.4 A
Standby Power consumption	less than 1 W
AC outlet	
SWITCHED	(total 150 W, 1.25 A max.)
Dimensions	
W	440 mm (17-5/16")
H	159 mm (6-1/4")
D	392 mm (15-7/16")
Weight (Net)	
VR-8070/8070-S	11.7 kg (25.8 lb)
VR-8060-S	11 kg (24.3 lb)