

* Refer to parts list on page 29.



VRS-7100

CONTENTS / ACCESSORIES / CAUTIONS

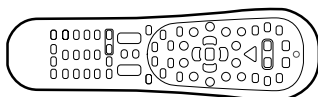
CONTENTS

CONTENTS / ACCESSORIES / CAUTIONS.....	2	EXPLODED VIEW	28
PC BOARD	3	PARTS LIST.....	29
SCHEMATIC DIAGRAM	15	SECIFICATIONS.....	35

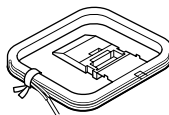
ACCESSORIES

Remote control unit (1)
For Europe
RC-R0730E(A70-1653-05)

For the U.S.A., Canada and Australia
RC-R0730(A70-1652-05)



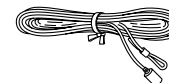
AM loop antenna (1)
(T90-0906-05)



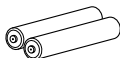
FM indoor antenna (1)
For Europe and Australia
(T90-0877-05)



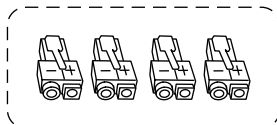
For the U.S.A. and Canada
(T90-0905-05)



Batteries (R6/AA) (2)



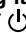

Speaker cord connectors (1)
For Europe and Australia only
(E69-0013-05)



CAUTIONS

Resetting the Microcomputer

The microcomputer may malfunction (unit cannot be operated, or shows an erroneous display) if the power cord is unplugged while the power is ON, or due to some other external factor. If this happens, execute the following procedure to reset the microcomputer and return the unit to its normal operating condition.

Unplug the power cord from the wall outlet, then plug it back in while holding down the POWER ON/STANDBY  (For U.S.A and Canada) or ON/STANDBY  key (For Europe and Australia).

- Please note that resetting the microcomputer will clear the contents of the memory and returns the unit to the state it was in when it left the factory. Memory back-up function

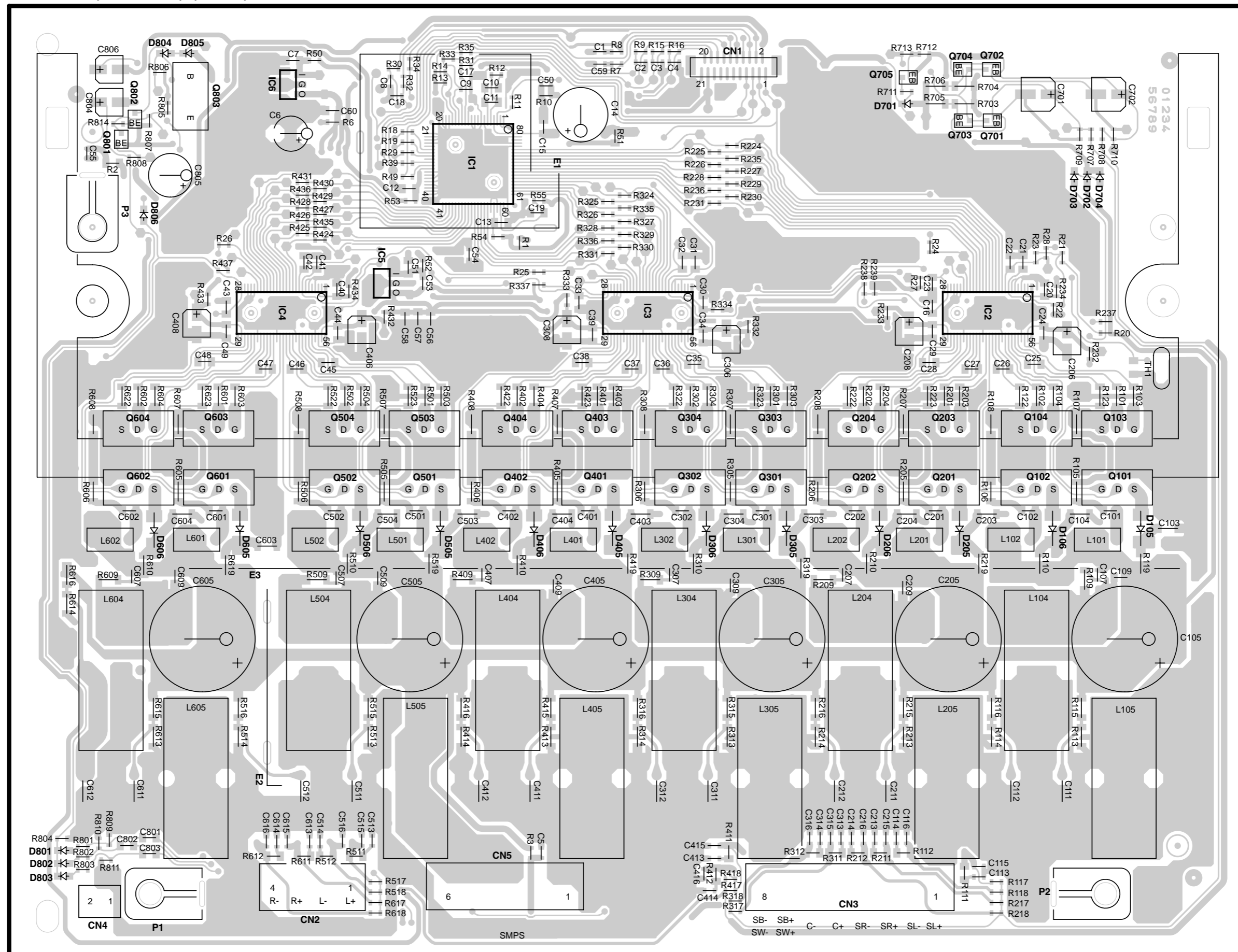
Memory back-up function

If the power supply to the receiver is shut down for about a day or more, the following settings will be reset to the initial conditions. Please be careful.

- Power mode = OFF
- Volume level = - 66 dB
- Dimmer level = OFF (Brightest condition)
- Broadcast band = FM
- Frequency setting = 87.50 MHz
- Tuning mode = AUTO

PC BOARD (Component side view)

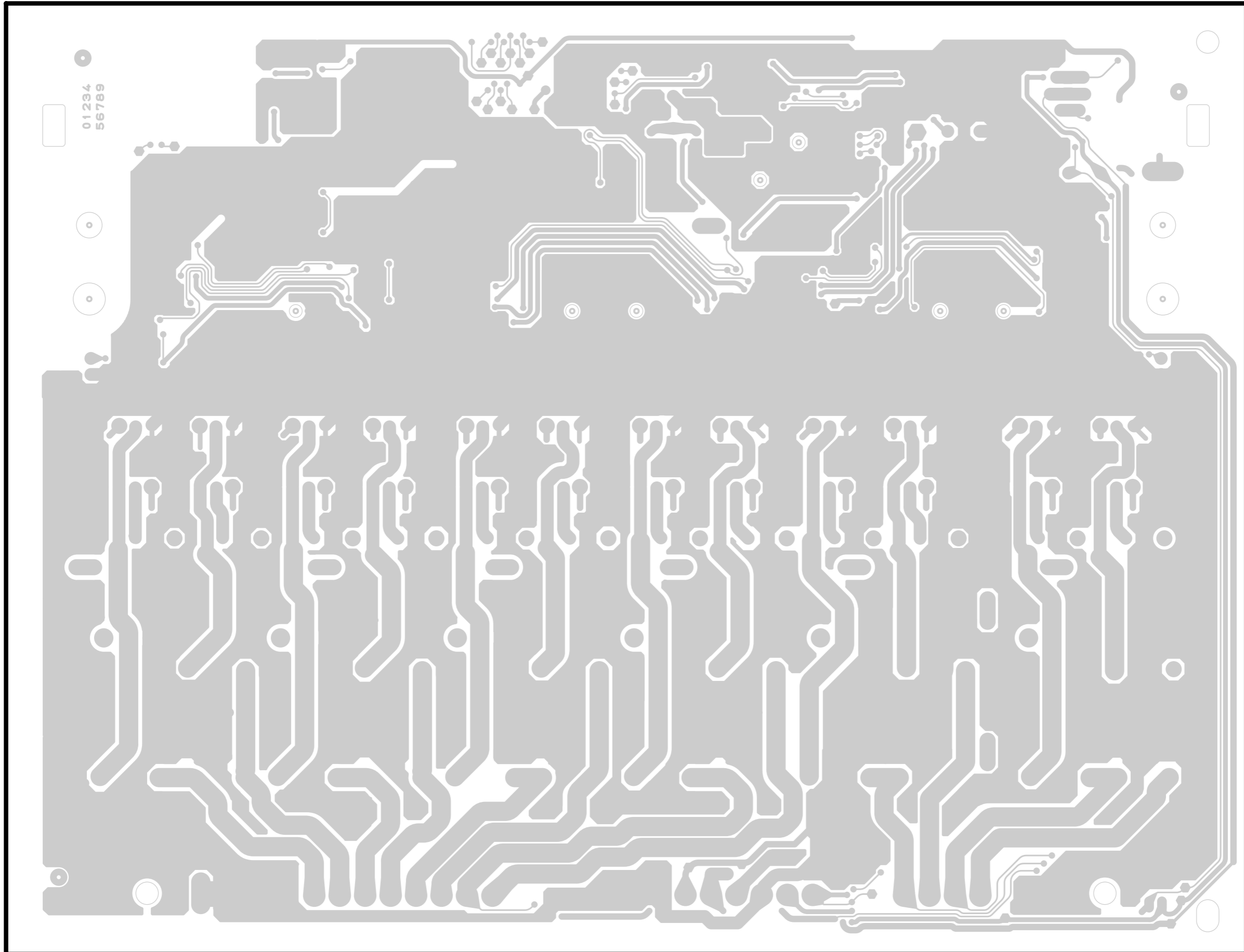
X07-3550-10 (J70-1729-01) (SIDE A)



Refer to the schematic diagram for the value of resistors and capacitors.

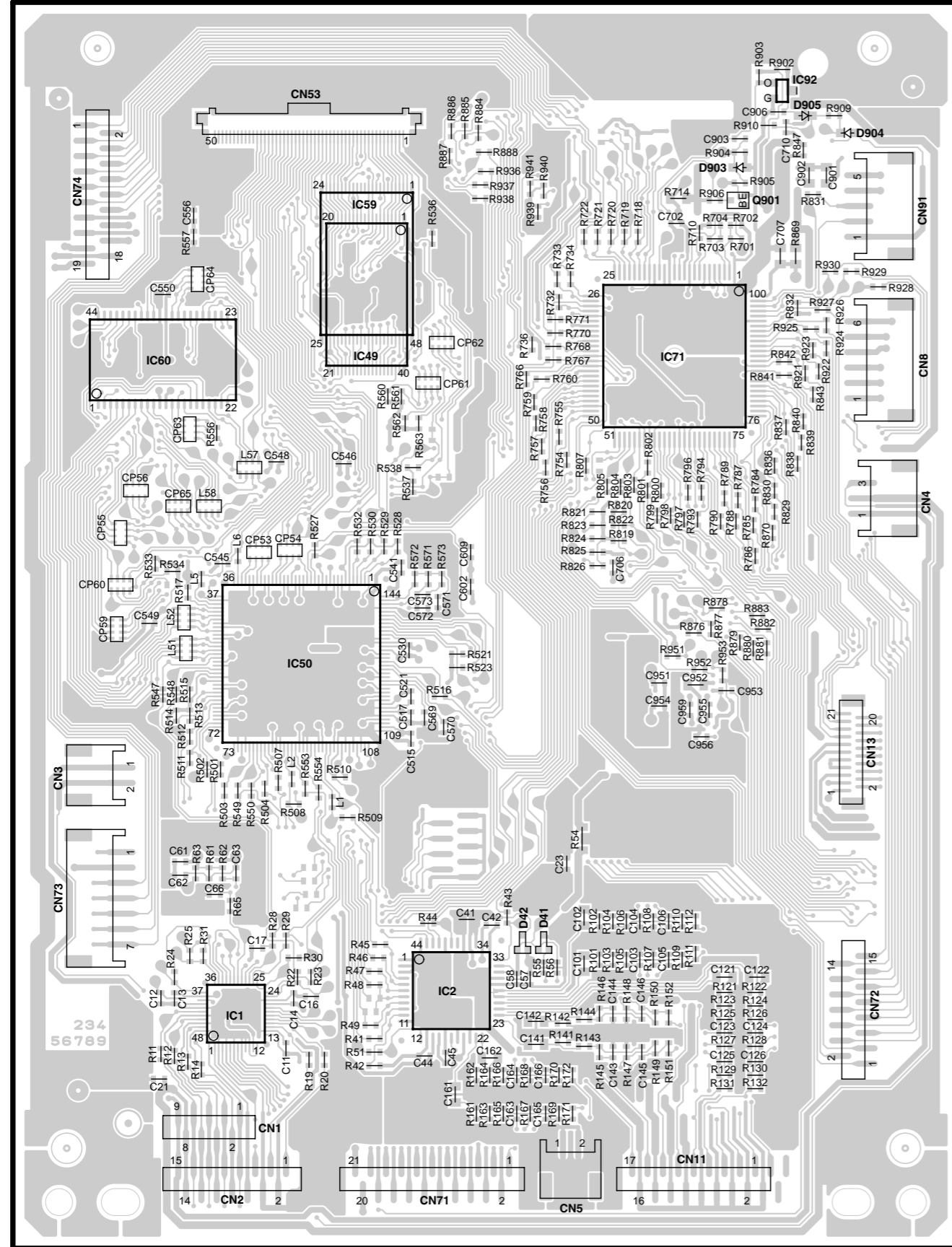
PC BOARD (Component side view)

X07-3550-10 (J70-1729-01) (SIDE B)

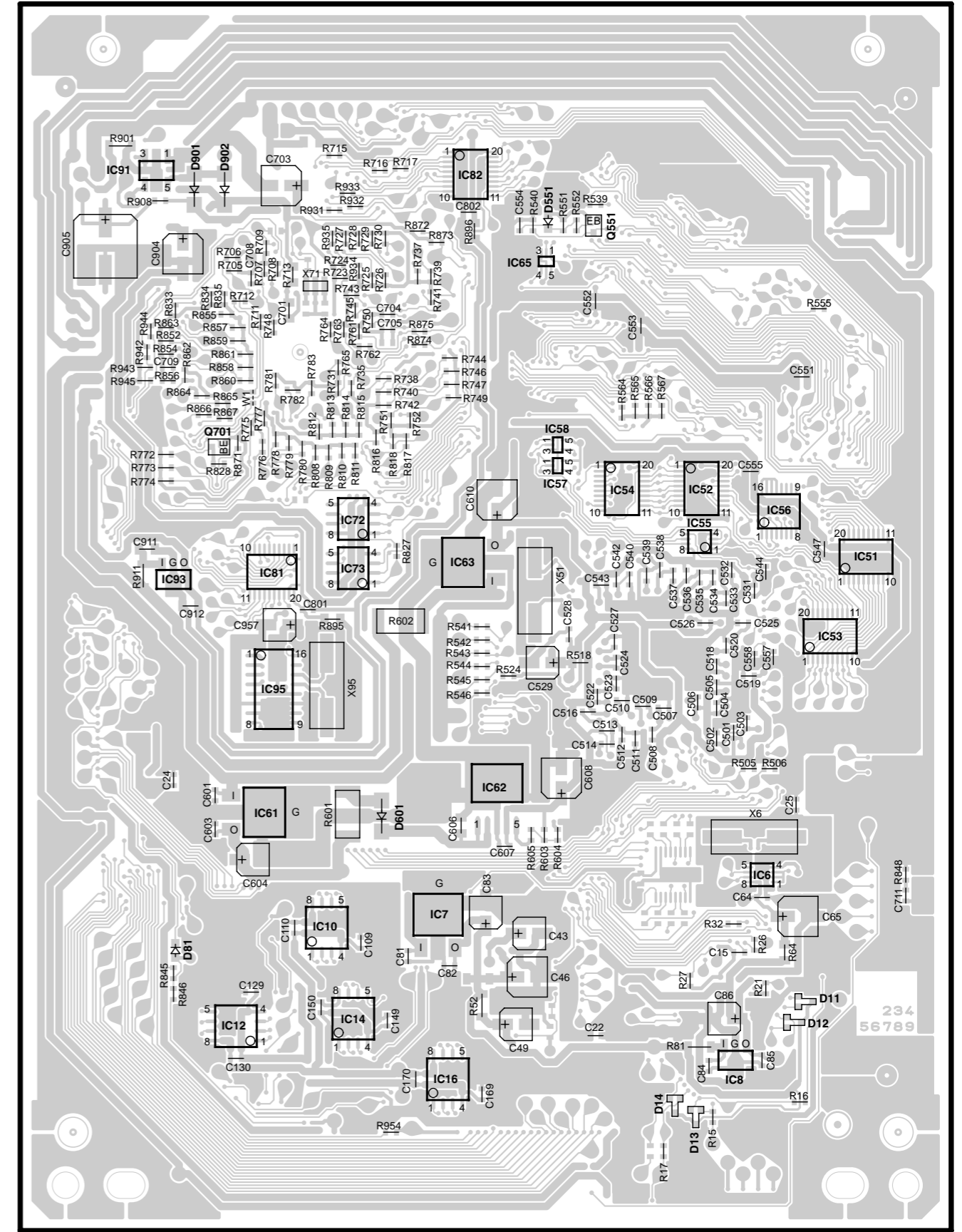


PC BOARD (Component side view)

X08-3280-10 (J75-0008-22) (SIDE A)

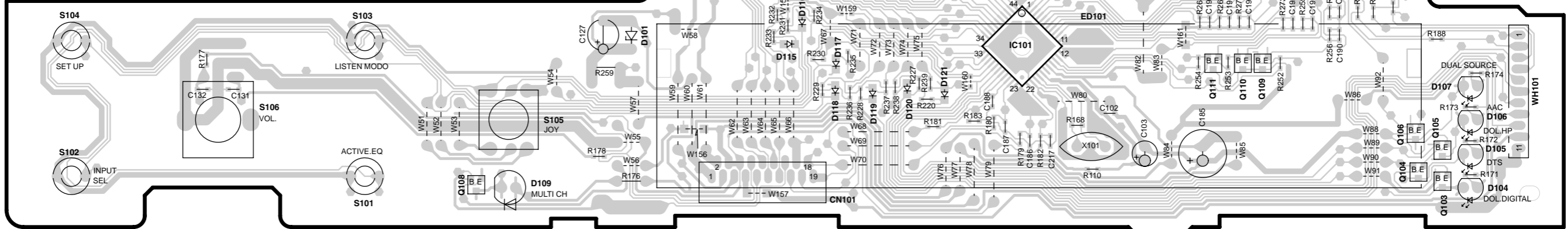


X08-3280-10 (J75-0008-22) (SIDE B)

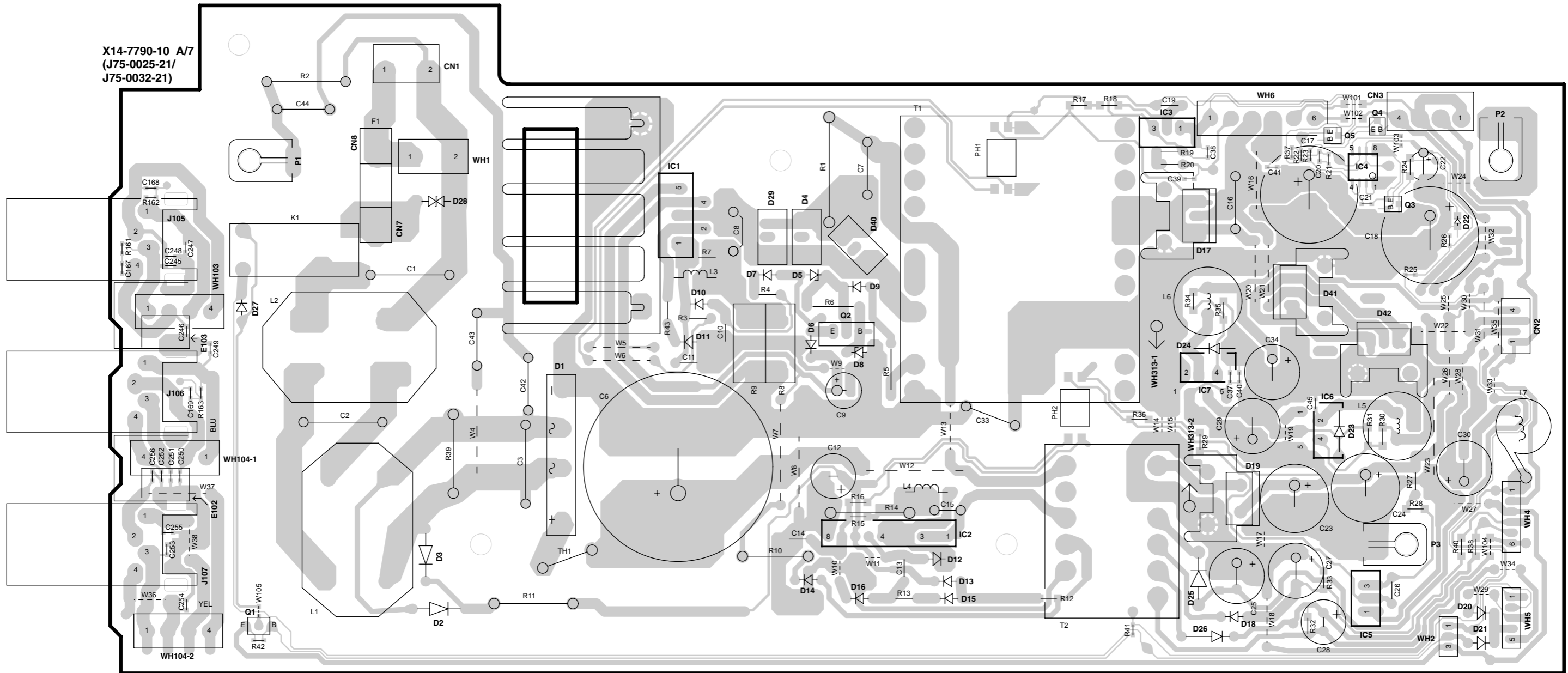


PC BOARD (Component side view)

X14 C7

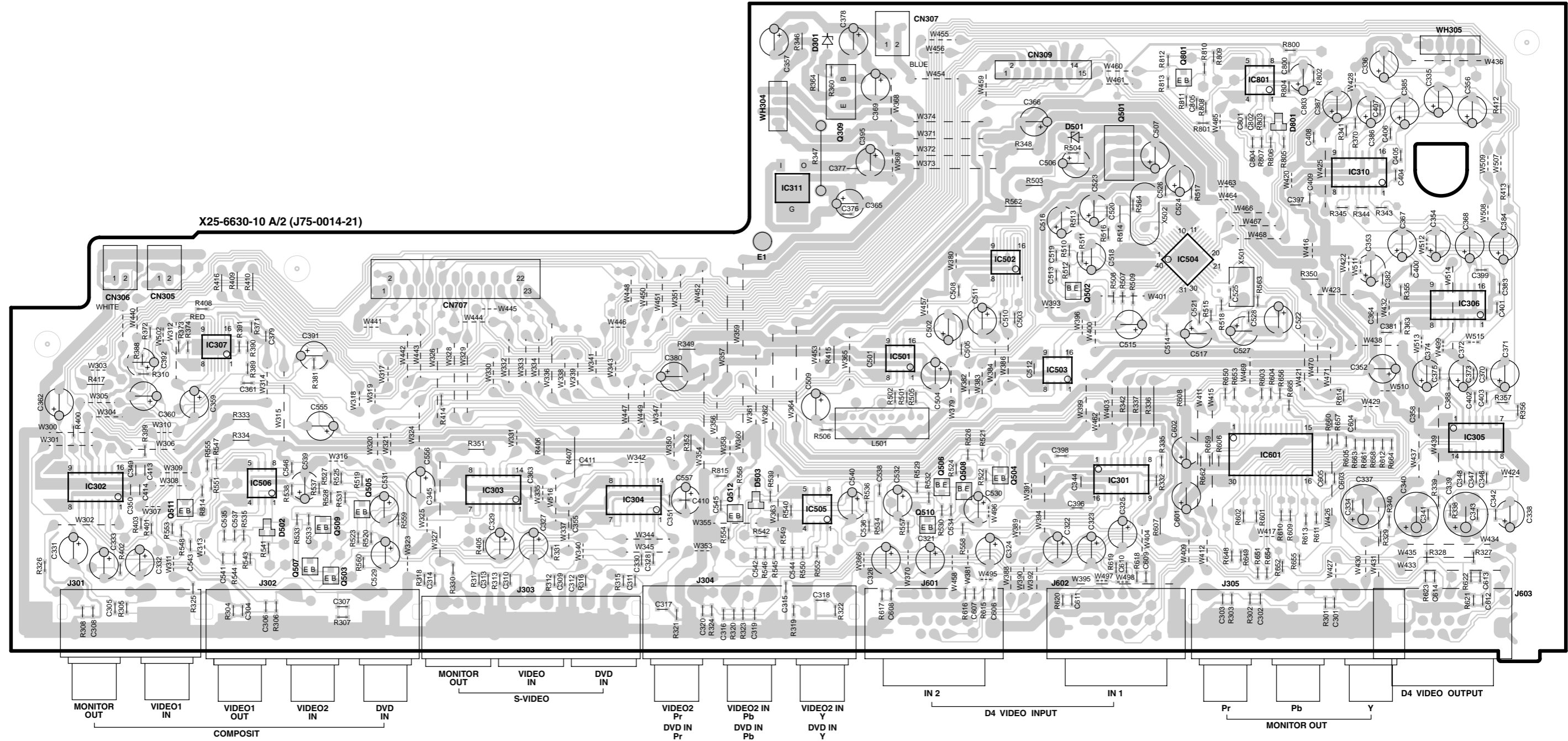


X14-7790-10 A/7
(J75-0025-21/
J75-0032-21)



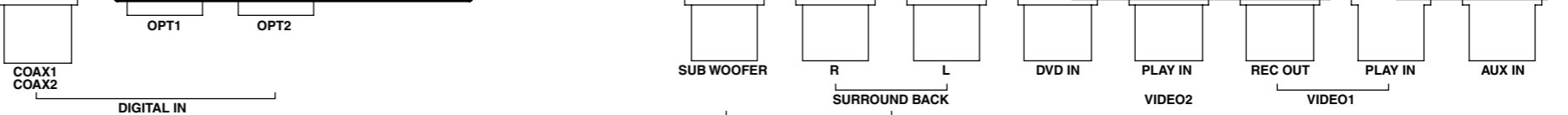
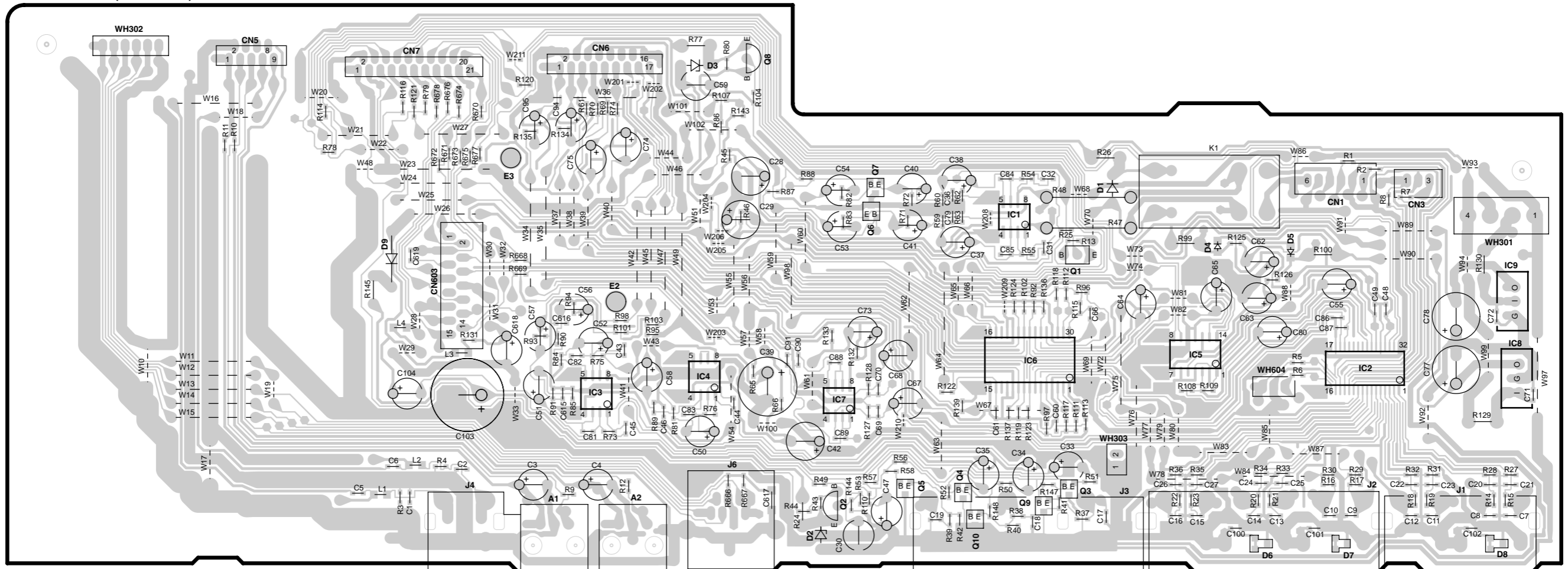
PC BOARD (Component side view)

1
2
3
4
5
6
7

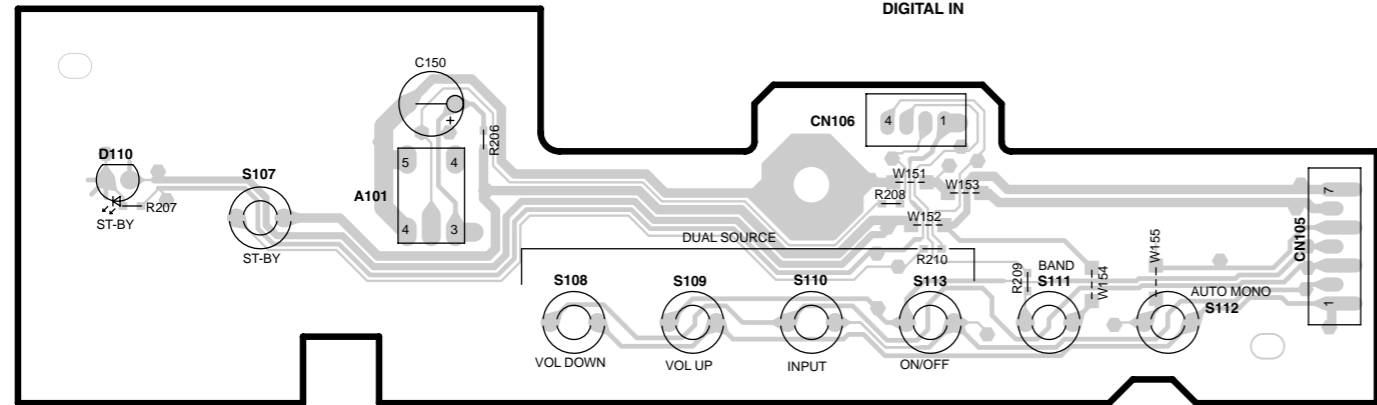


PC BOARD (Component side view)

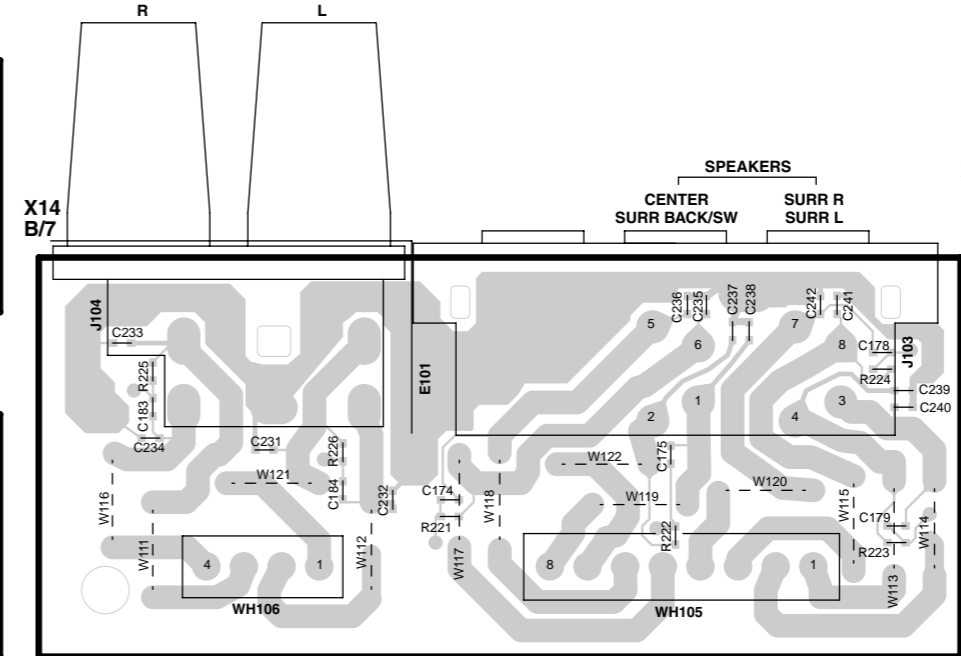
X25-6630-10 B/2 (J75-0014-21)



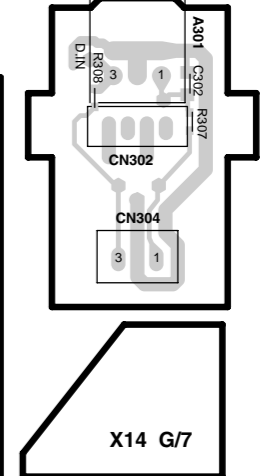
X14 D/7



X14 B/7

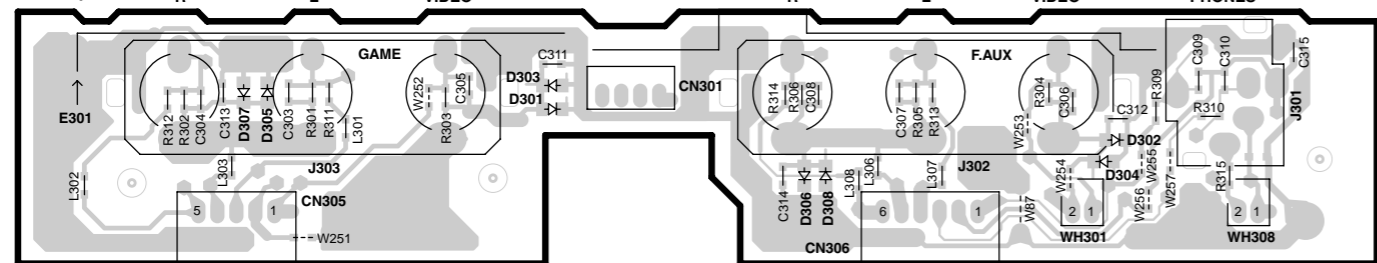


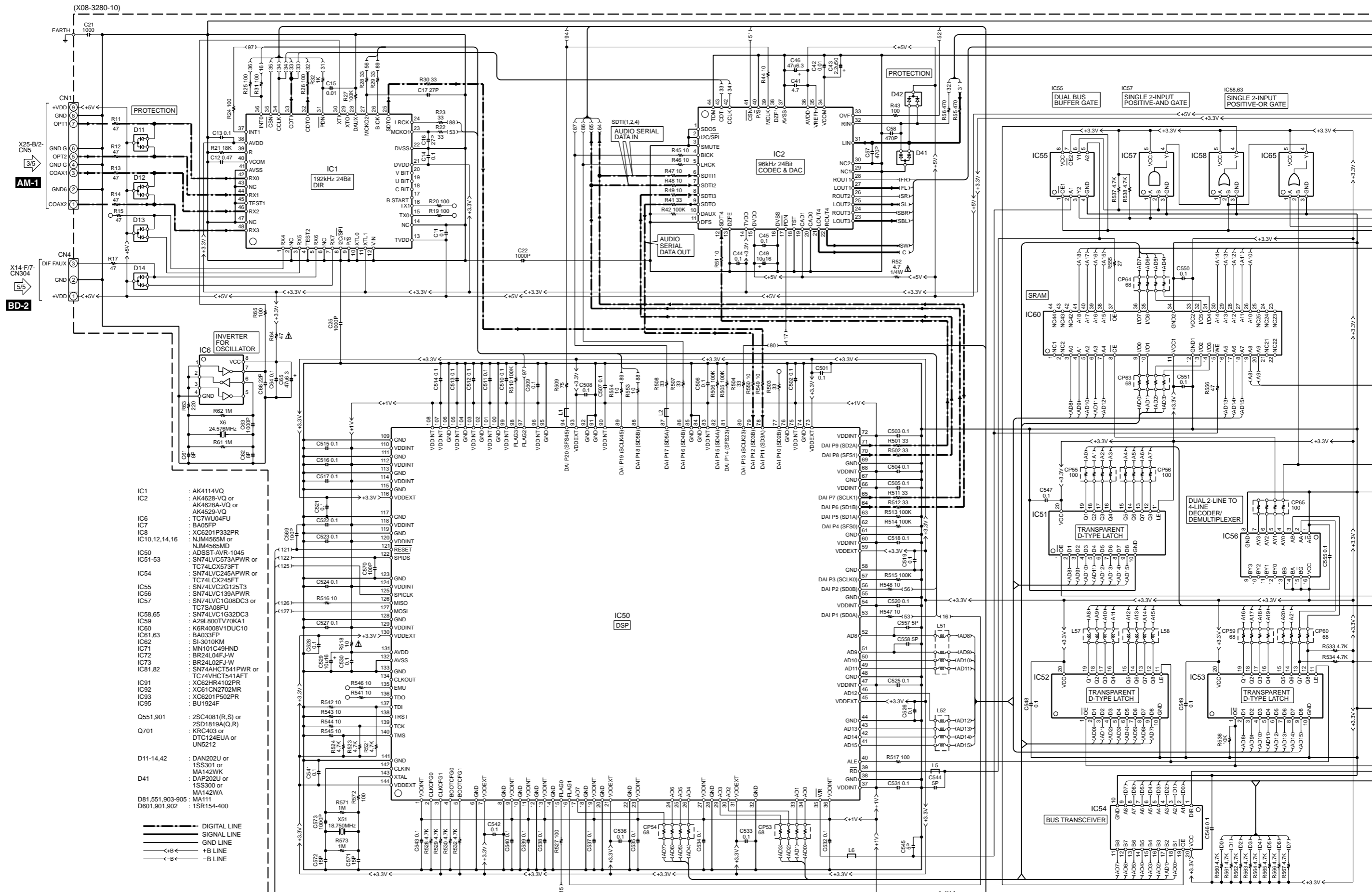
X14 F/7



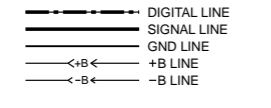
X14 G/7

X14 E/7



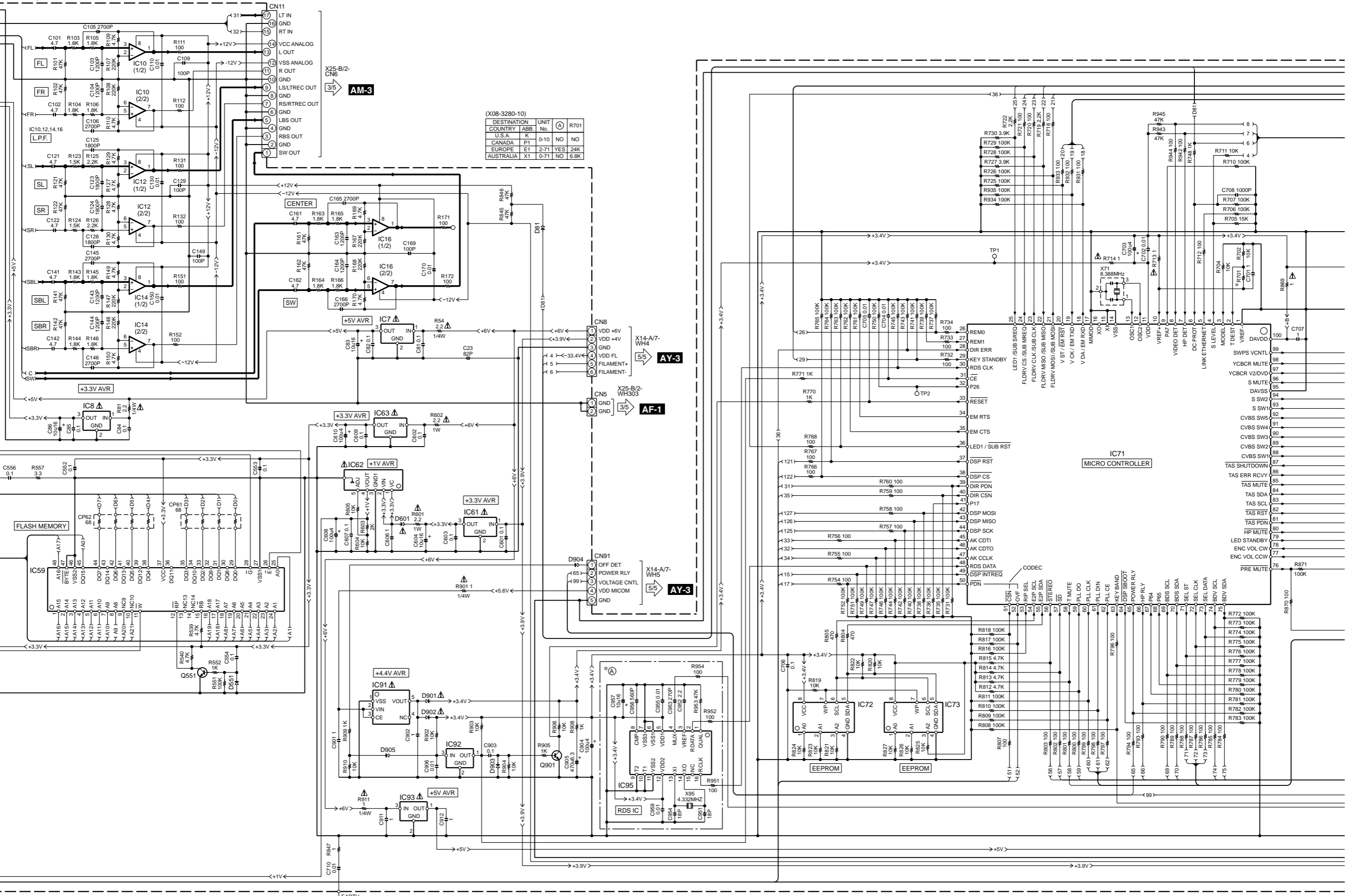


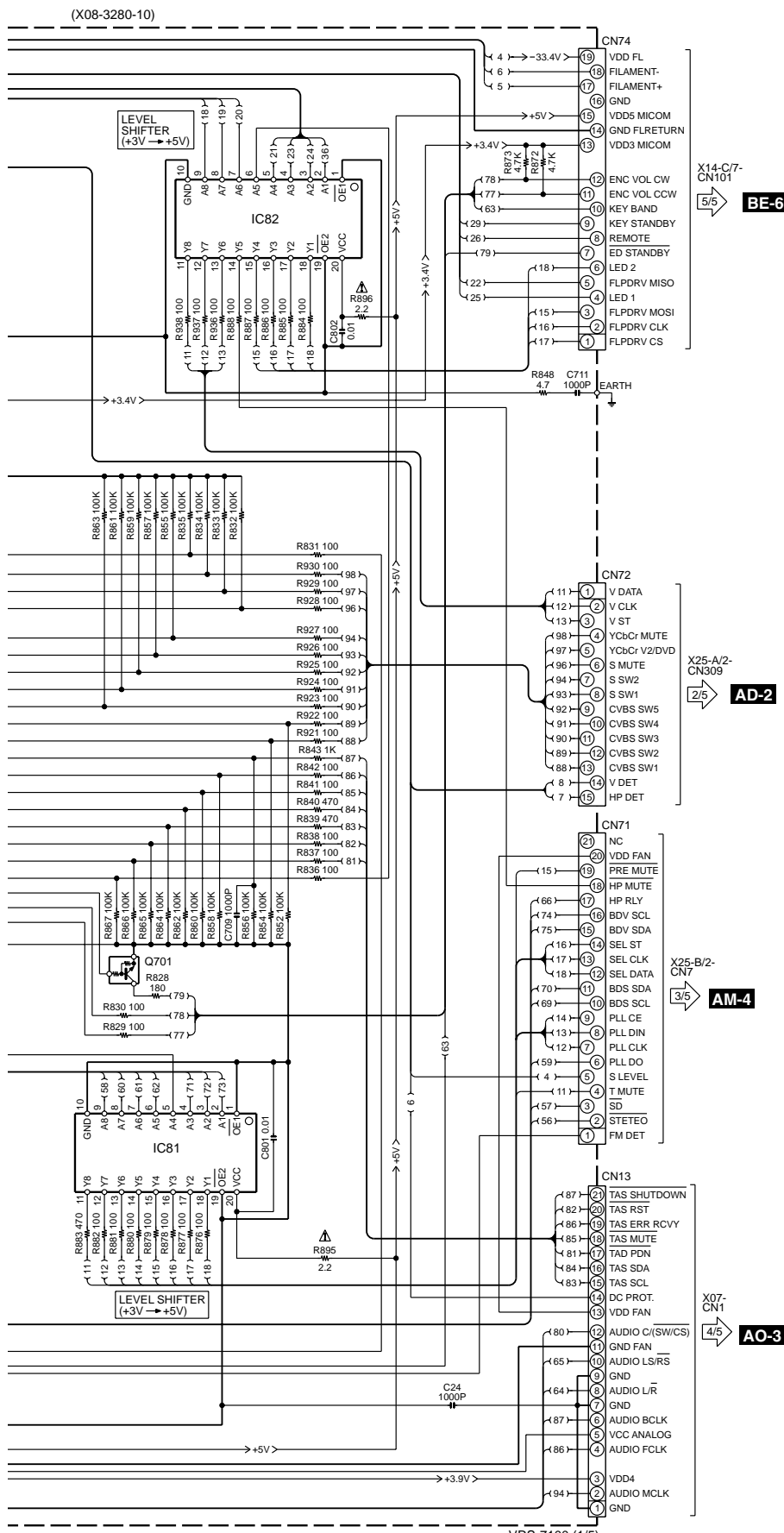
- IC1 : AK4114VQ
- IC2 : AK4628-VQ or AK4628-BA-VQ or AK4529-VQ
- IC6 : TC7WU04FU
- IC7 : BA05FP
- IC8 : XC6201P332PR
- IC10,12,14,16 : NJM4555M or NJM4555M
- IC50 : ADSST-AVR-1045
- IC51-53 : SN74LVC573APWR or TC74LVC573FT
- IC54 : SN74LVC245APWR or TC74LVC245FT
- IC55,65 : SN74LVC2G125T3
- IC56 : SN74LVC139APWR
- IC57 : SN74LVC1G08DC3 or TC7SA08FU
- IC58,65 : SN74LVC1G32DC3
- IC59 : A29L800TV70KA1
- IC60 : K6R4008V1DUC10
- IC61,63 : BA033FP
- IC62 : SI-3010KM
- IC71 : MN101C49HND
- IC72 : BR24L04F-JW
- IC73 : BR24L02F-JW
- IC81,82 : SN74AHC2541PWR or TC74VHCT541AFT
- IC91 : XC62HR4102PR
- IC92 : XC61CN2702MR
- IC93 : XC6201P502PR
- IC95 : BU1924F
- Q551,901 : 2SC4081(R,S) or 2SD1819A(Q,R)
- Q701 : KRC403 or DTC124EUA or UN5212
- D11-14,42 : DAN202U or 1SS301 or MA142WK
- D41 : DAP202U or 1SS300 or MA142WA
- D81,551,903-905 : MA111
- D601,901,902 : 1SR154-400



VRS-7100

(X08-3280-10)

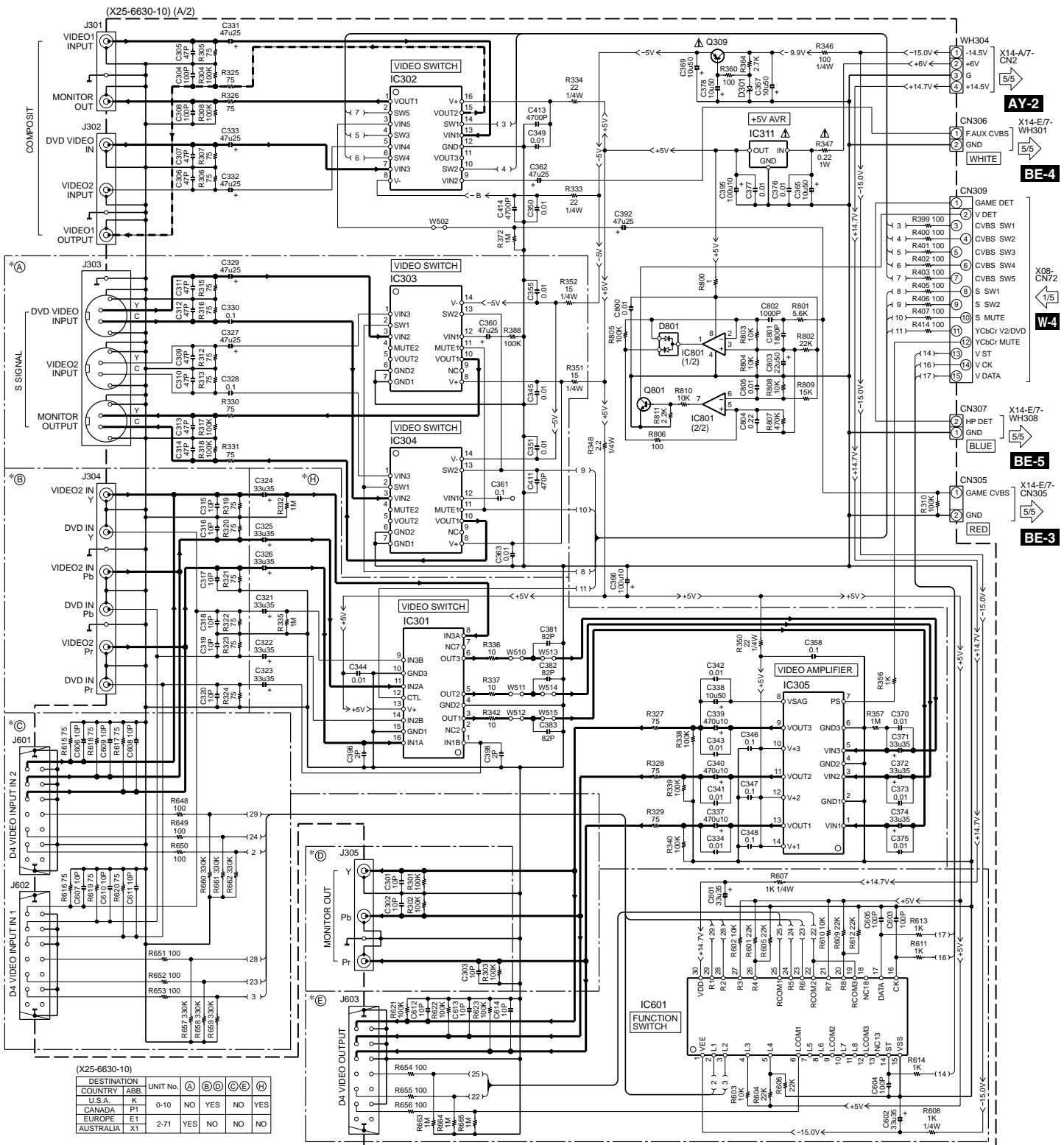




CAUTION: For continued safety, replace safety critical components only with manufacturer's recommended parts (refer to parts list). Δ indicates safety critical components. For continued protection against risk of fire, replace only with same type and rating fuse(s). To reduce the risk of electric shock, leakage-current or resistance measurements shall be carried out (exposed parts are acceptably insulated from the supply circuit) before the appliance is returned to the customer.

The DC voltage is an actual reading measured with a high impedance type voltmeter with no signal input. The measurement value may vary depending on the measuring instruments used or on the product.

VRS-7100



(X25-6630-10)

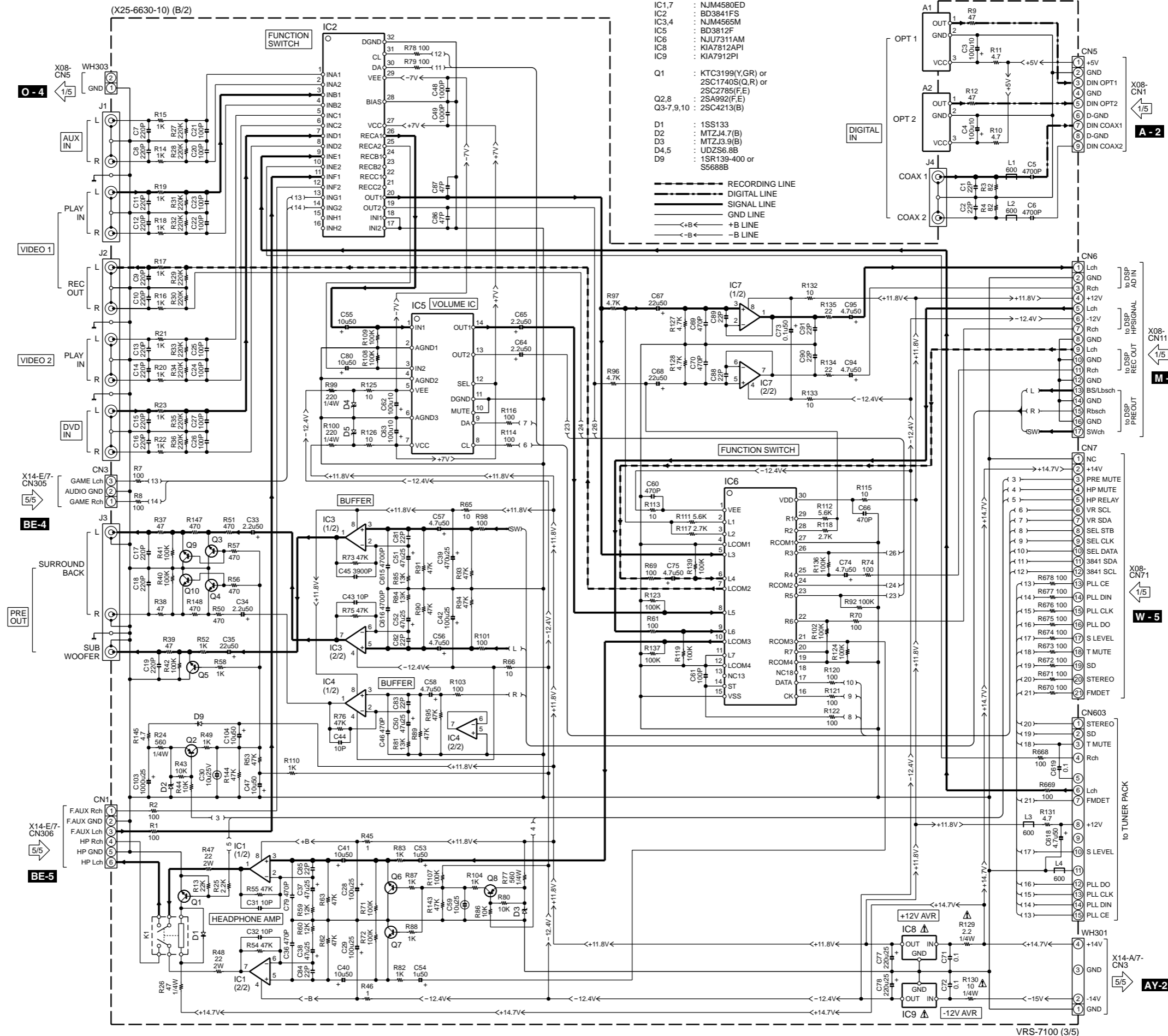
DESTINATION COUNTRY	ABB.	UNIT No.	A	B	C	E	H
U.S.A.	K	0-10	YES	NO	NO	NO	YES
CANADA	PT						
EUROPE	E1	2-71	YES	NO	NO	NO	NO
AUSTRALIA	X1						

- IC301 : NJM2584M
- IC302 : NJM2595M
- IC303,304 : NJM2279M
- IC305 : NJM2580M
- IC311 : SA05FP
- IC601 : NJU7131AM
- IC801 : NJM4565M
- Q309 : 2SB1640
- Q801 : 2SD1819A(Q,R) or 2SC4081(R,S)
- D301 : MTZJ5.6(B) or RD5.6ES(B2)
- D801 : 1SS302

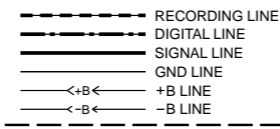
- RECORDING LINE
- SIGNAL LINE
- GND LINE
- — +B LINE
- <-B> — -B LINE

VRS-7100 (2/5)

CAUTION: For continued safety, replace safety critical components only with manufacturer's recommended parts (refer to parts list). Δ indicates safety critical components. For continued protection against risk of fire, replace only with same type and rating fuse(s). To reduce the risk of electric shock, leakage-current or resistance measurements shall be carried out (exposed parts are acceptably insulated from the supply circuit) before the appliance is returned to the customer.



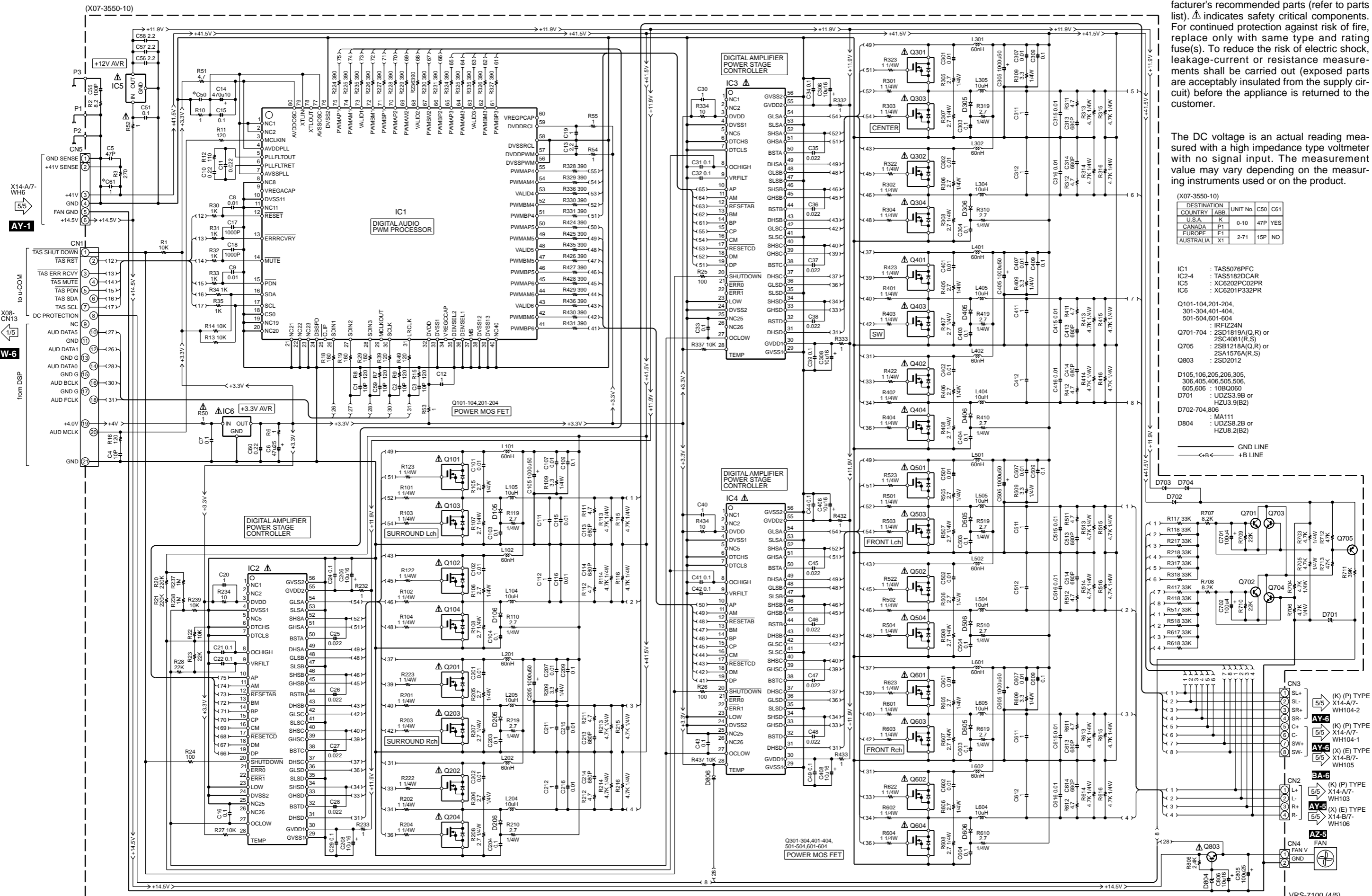
- IC1,7 : NJM4580ED
- IC2 : BD3841FS
- IC3,4 : NJM4565M
- IC5 : BD3812F
- IC6 : NJU7311AM
- IC8 : KIA7812API
- IC9 : KIA7912PI
- Q1 : KTC3199(Y,GR) or 2SC1740S(Q,R) or 2SC2785(F,E)
- Q2,8 : 2SA992(F,E)
- Q3-7,9,10 : 2SC4213(B)
- D1 : 1SS133
- D2 : MTZJ4.7(B)
- D3 : MTZJ3.9(B)
- D4,5 : UZDS6.8B
- D9 : 1SR139-400 or S5688B



CAUTION: For continued safety, replace safety critical components only with manufacturer's recommended parts (refer to parts list). Δ indicates safety critical components. For continued protection against risk of fire, replace only with same type and rating fuse(s). To reduce the risk of electric shock, leakage-current or resistance measurements shall be carried out (exposed parts are acceptably insulated from the supply circuit) before the appliance is returned to the customer.

The DC voltage is an actual reading measured with a high impedance type voltmeter with no signal input. The measurement value may vary depending on the measuring instruments used or on the product.

VRS-7100



CAUTION: For continued safety, replace safety critical components only with manufacturer's recommended parts (refer to parts list). Δ indicates safety critical components. For continued protection against risk of fire, replace only with same type and rating fuse(s). To reduce the risk of electric shock, leakage-current or resistance measurements shall be carried out (exposed parts are acceptably insulated from the supply circuit) before the appliance is returned to the customer.

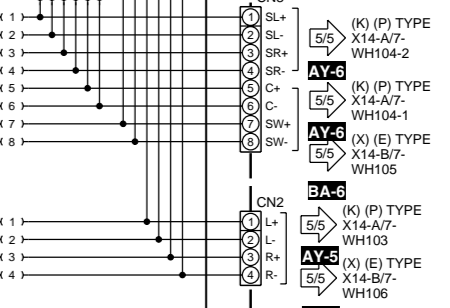
The DC voltage is an actual reading measured with a high impedance type voltmeter with no signal input. The measurement value may vary depending on the measuring instruments used or on the product.

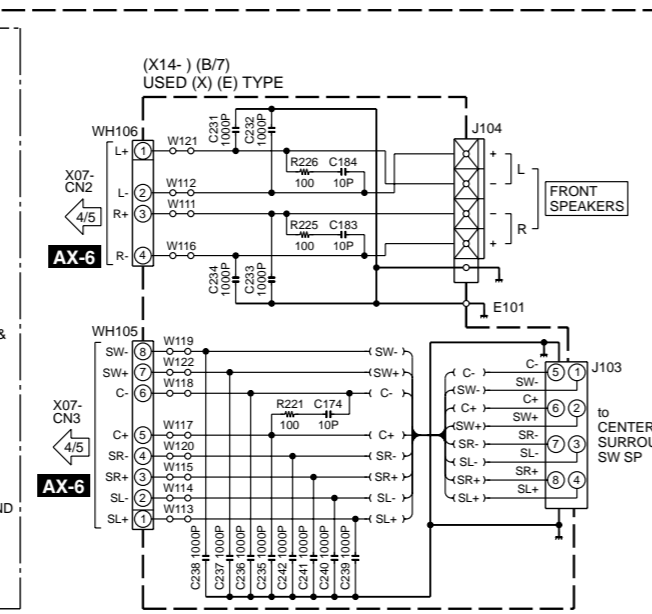
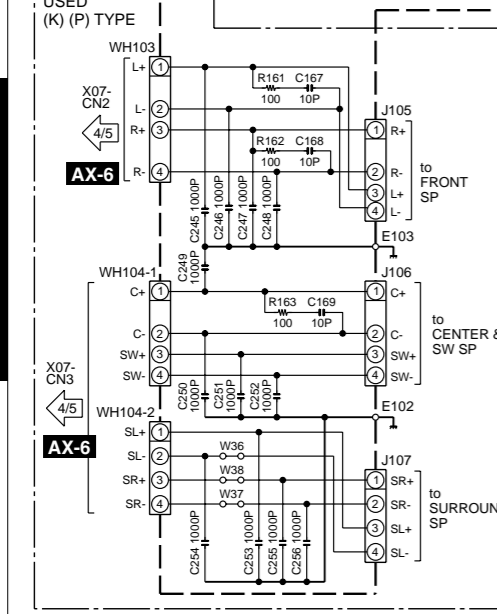
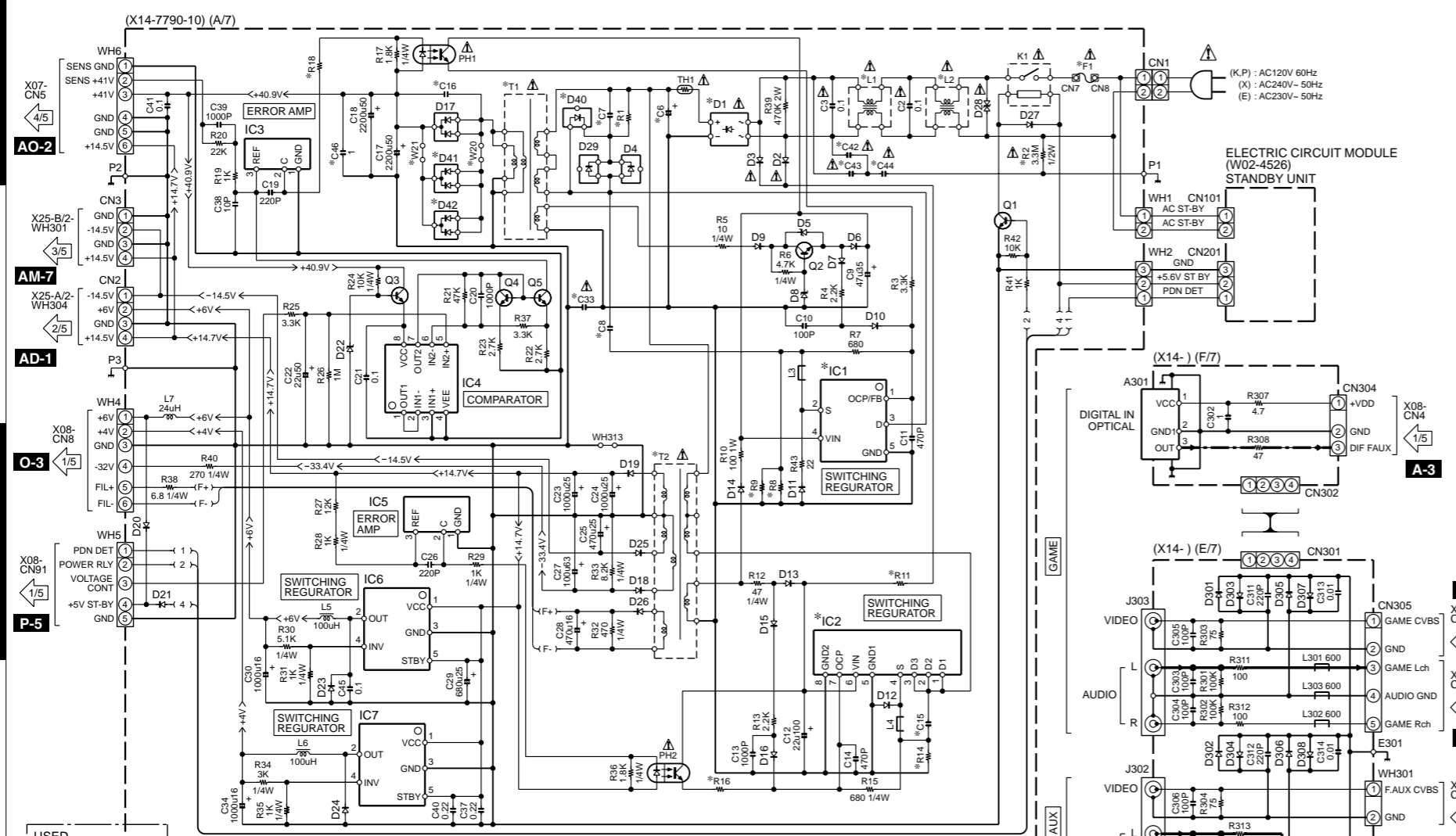
(X07-3550-10)

DESTINATION	COUNTRY	ABB.	UNIT No.	C50	C61
U.S.A.	P1		0-10	47P	YES
CANADA	P1				
EUROPE	E1		2-71	15P	NO
AUSTRALIA	X1				

- IC1 : TAS5076PFC
- IC2-4 : TAS5182DCAR
- IC5 : XC6202PC02PR
- IC6 : XC6201P332PR
- Q101-104,201-204, 301-304,401-404, 501-504,601-604 : IRFIZ24N
- Q701-704 : 2SD1819A(Q,R) or 2SC4081(R,S)
- Q705 : 2SB1218A(Q,R) or 2SA1576A(R,S)
- Q803 : 2SD2012
- D105,106,205,206,305, 306,405,406,505,506, 605,606 : 10BQ060
- D701 : UDZS3.9B or HZU3.9(B2)
- D702-704,806 : MA111
- D804 : UDZS8.2B or HZU8.2(B2)

— GND LINE
— +B LINE



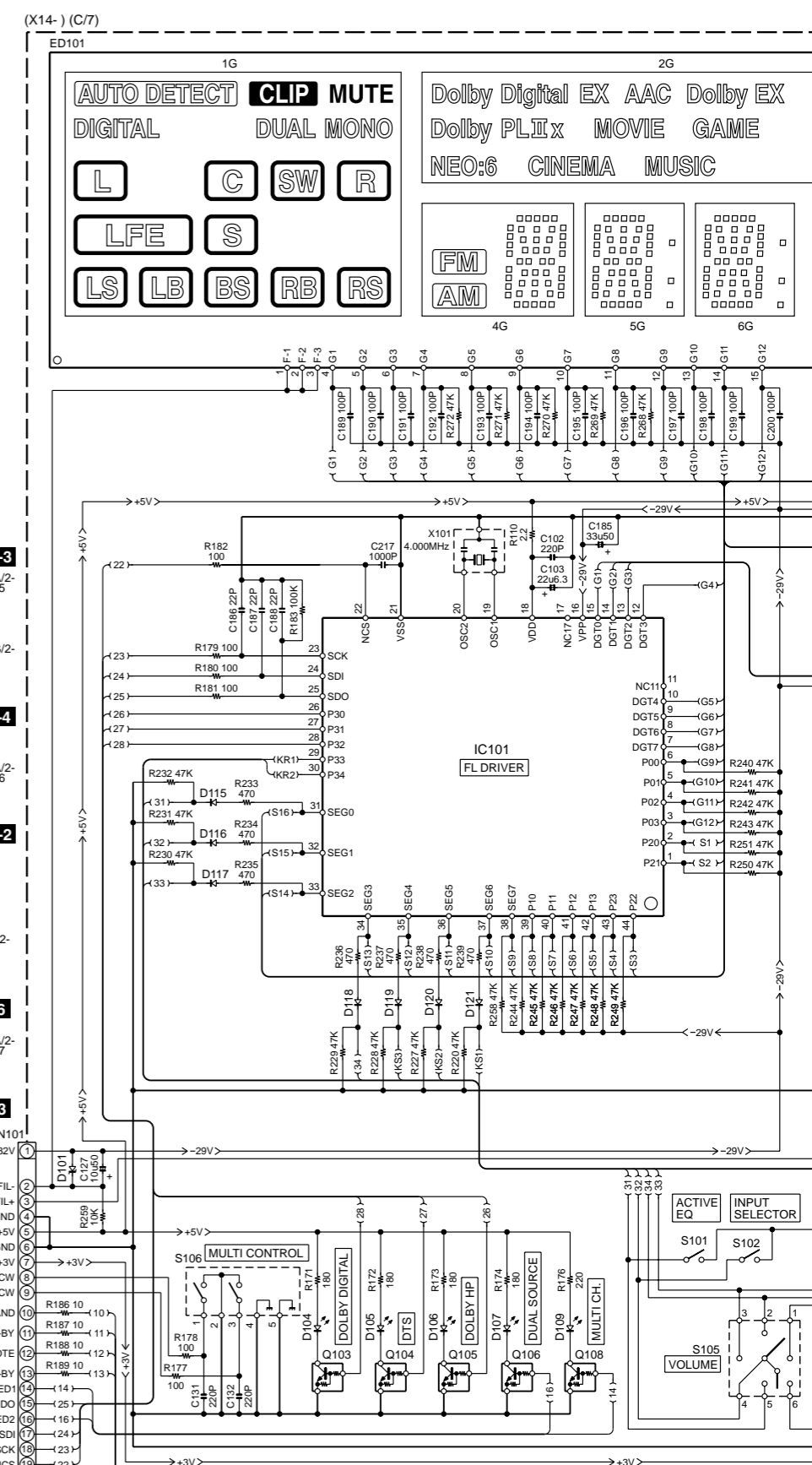


(X14-7790-10)

DESTINATION COUNTRY	ABB.	UNIT No.	C6	C7	C8	C15	C16	C33	C42,43	C44	C46	D1	D40-42	F1	IC1	IC2	L1,2	R1	R2	R8	R9	R11	R14	R16	R18	T1	T2	W20,21
U.S.A.	K	0-10	1500u	0.01	2200P	470P	0.015	2200P	3300P	3300P	YES	RBV-604NF	NO	6.3A	STR-F6629NF	STR-L451NF	L79-1300-05	47K	3W	0.1	0.068	100K	0.47	3.3K	2.7K	L07-3276-05	L07-3278-05	NO
CANADA	P1	0-10	1500u	0.01	2200P	470P	0.015	2200P	3300P	3300P	YES	RBV-604NF	NO	6.3A	STR-F6629NF	STR-L451NF	L79-1300-05	47K	3W	0.1	0.068	100K	0.47	3.3K	2.7K	L07-3276-05	L07-3278-05	NO
AUSTRALIA	E1	2-71	470u	4700P	680P	220P	4700P	1000P	1000P	1500P	NO	RBV-606NF	YES	T4H	STR-F6668MNF	STR-L472NF	L79-1298-05	100K	3W	0.15	0.15	220K	0.56	5.6K	1.5K	L07-3279-05	L07-3282-05	YES
EUROPE	X1		400																									

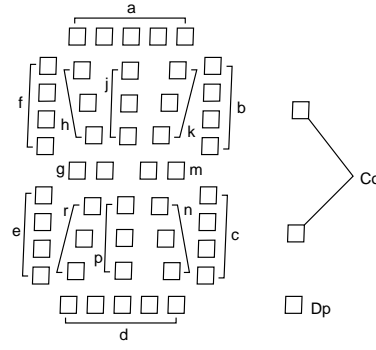
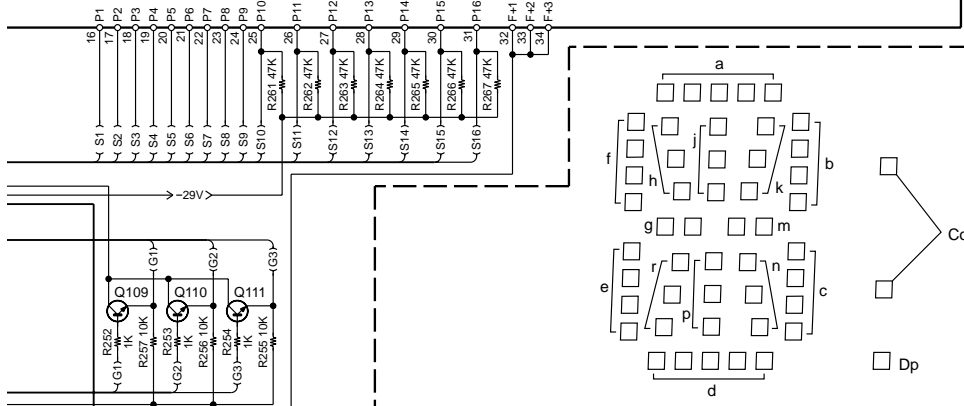
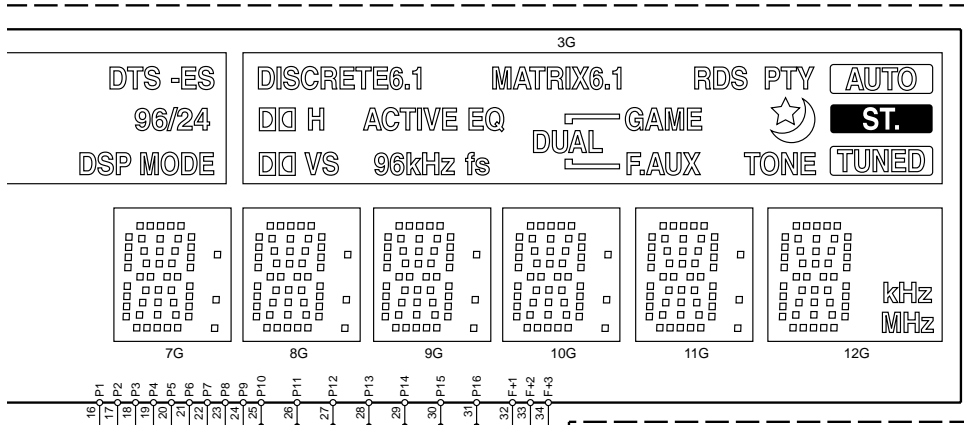
CAUTION: For continued safety, replace safety critical components only with manufacturer's recommended parts (refer to parts list). Δ indicates safety critical components. For continued protection against risk of fire, replace only with same type and rating fuse(s). To reduce the risk of electric shock, leakage-current or resistance measurements shall be carried out (exposed parts are acceptably insulated from the supply circuit) before the appliance is returned to the customer.

- IC1 : *
- IC2,5 : *
- IC3 : SE-B2NF
- IC4 : BA10358F
- IC6,7 : BD9701T-V5
- IC101 : MN12510F
- Q1 : 2SC1740S(Q,R)
- Q2 : 2SC3852ANF
- Q3-5,109-111 : 2SD1819A(Q,R) or 2SC4081(R,S)
- Q103-106,108 : KRS403 or DTC124EUA or UN5212
- D1 : *
- D2,3 : AM01ANF
- D4,29,40 : SAR503NF
- D5,8 : RD20ES(B) or MTZJ20(B)
- D6,7,9,10,13,16,18 : AL01ZNF
- D11,12 : AK03NF
- D19 : FMB-G16LNF
- D17,41,42 : FML-22SNF
- D20,21 : S5688B(TPB5)
- D22 : UDZ56.8B or HZU6.8(B2)
- D23,24 : EK18NF
- D25 : EK18NF
- D26 : EK03NF
- D27 : 1SS133 or HSS104A
- D28 : ERZV10D511CS
- D101 : MTZJ2.7(B) or RD2.7ES(B)
- D104-107 : B30-2545-05
- D109 : B30-2663-05
- D110 : B30-2597-05
- D115-121,301-308 : MA111



VRS-7100

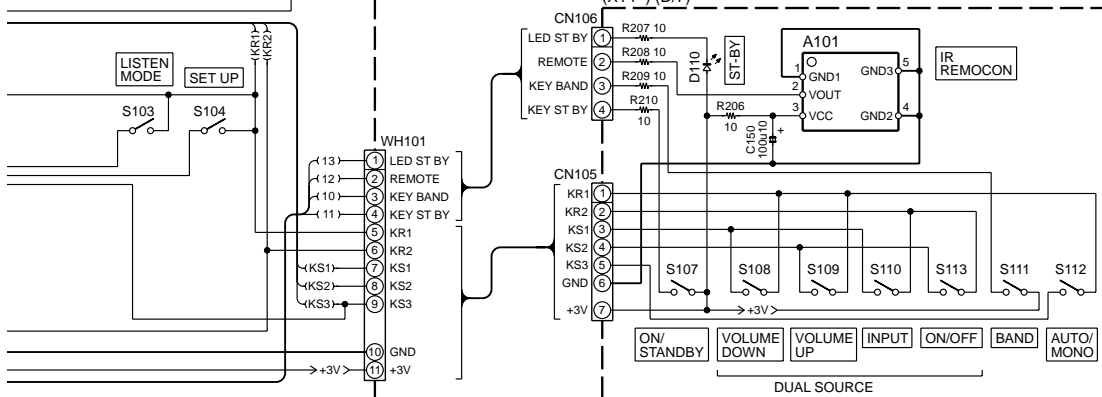
(X14-) (C/7)



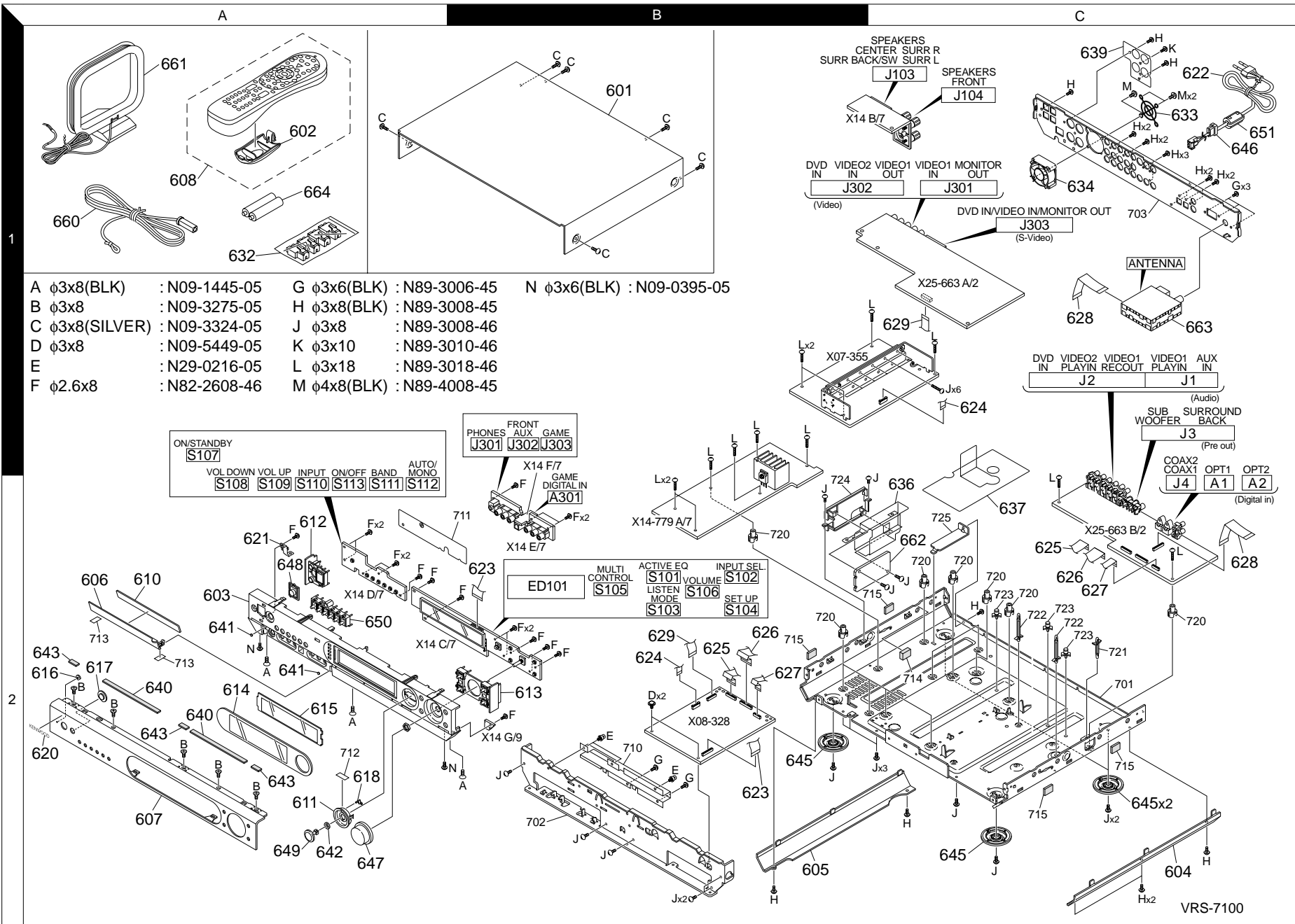
(4G-12G)

	1G	2G	3G	4G	5G	6G	7G	8G	9G	10G	11G	12G
P1	(AUTO DETECT)	Dolby Digital	DISCRETE6.1	a	a	a	a	a	a	a	a	a
P2	(GLIP)	EX	MATRIX6.1	h	h	h	h	h	h	h	h	h
P3	MUTE	AAC	RDS	j	j	j	j	j	j	j	j	j
P4	DIGITAL	Dolby EX	PTY	k	k	k	k	k	k	k	k	k
P5	DUAL MONO	DTS	(AUTO)	b	b	b	b	b	b	b	b	b
P6	(L)	-ES	DQ H	f	f	f	f	f	f	f	f	f
P7	(C)	Dolby PL	ACTIVE EQ	m	m	m	m	m	m	m	m	m
P8	(SW)	II	DUAL	g	g	g	g	g	g	g	g	g
P9	(R)	x	GAME	c	c	c	c	c	c	c	c	c
P10	(LFE)	MOVIE	(M)	e	e	e	e	e	e	e	e	e
P11	(S)	GAME	(ST)	r	r	r	r	r	r	r	r	r
P12	(LS)	96/24	DQ VS	p	p	p	p	p	p	p	p	p
P13	(LB)	NEO:6	96kHz fs	n	n	n	n	n	n	n	n	n
P14	(BS)	CINEMA	F.AUX	d	d	d	d	d	d	d	d	d
P15	(RB)	MUSIC	TONE	(FM)	Col	Col	Col	Col	Col	Col	col	kHz
P16	(RS)	DSP MODE	(TUNED)	(AM)	Dp	Dp	Dp	Dp	Dp	Dp	Dp	MHz

(X14-) (D/7)



VRS-7100 (5/5)



* New Parts

Parts without **Parts No.** are not supplied.
Les articles non mentionnés dans le **Parts No.** ne sont pas fournis.
Teile ohne **Parts No.** werden nicht geliefert.

1

Ref. No	Address	New Parts	Parts No.	Description	Destination	Remarks
VRS-7100						
601	1B	*	A01-3915-01	METALLIC CABINET		
602	1A	*	A09-1274-08	BATTERY COVER		
603	2A	*	A22-1891-21	SUB PANEL		
604	2C	*	A50-1416-02	SIDE PLATE		
605	2B	*	A50-1417-02	SIDE PLATE		
606	2A	*	A52-1004-23	DOOR	KP1X1	
606	2A	*	A52-1006-23	DOOR	E1	
607	2A	*	A60-2367-12	PANEL	KP1	
607	2A	*	A60-2368-12	PANEL	X1E1	
608	1A	*	A70-1652-05	REMOTE CONTROLLER ASSY	KP1X1	
608	1A	*	A70-1653-05	REMOTE CONTROLLER ASSY	E1	
-		*	B60-5462-00	INSTRUCTION MANUAL(EN)		
-		*	B60-5463-00	INSTRUCTION MANUAL(FR)	P1E1	
-		*	B60-5464-00	INSTRUCTION MANUAL,GE/NE/IT/ES	E1	
610	2A	*	B03-3934-04	DRESSING PLATE		
611	2A	*	B07-2681-14	ESCUTCHEON		
612	2A	*	B07-2682-03	ESCUTCHEON		
613	2B	*	B07-2683-13	ESCUTCHEON		
614	2A	*	B10-3972-02	FRONT GLASS		
615	2A	*	B11-1599-03	COLOR FILTER		
616	2A	*	B12-0341-04	INDICATOR		
617	2A	*	B12-0480-04	INDICATOR		
618	2A	*	B12-0481-04	INDICATOR		
620	2A	*	B43-0336-04	BADGE		
621	2A	*	E29-1705-04	LEAD PLATE		
622	1C	*	E30-2717-05	AC POWER CORD	X1	
622	1C	*	E30-2941-05	AC POWER CORD	KP1	
622	1C	*	E30-2942-05	AC POWER CORD	E1	
623	2B	*	E35-3609-05	FLAT CABLE 19P 150MM		
624	2B,1C	*	E35-3610-05	FLAT CABLE 21P 80MM		
625	2B,2C	*	E35-3611-05	FLAT CABLE 17P 120MM		
626	2B,2C	*	E35-3612-05	FLAT CABLE 21P 120MM		
627	2B,2C	*	E35-3613-05	FLAT CABLE 9P 120MM		
628	1C,2C	*	E35-3614-05	FLAT CABLE 15P 60MM		
629	2B,1C	*	E35-3635-05	FLAT CABLE 15P 150MM		
632	1A	*	E69-0013-05	ADAPTER	X1E1	
633	1C	*	F07-2027-05	COVER		
634	1C	*	F09-0185-05	FAN		
636	2C	*	F20-3610-04	INSULATING BOARD		
637	2C	*	F20-3611-03	INSULATING BOARD		
639	1C	*	F20-3612-24	INSULATING BOARD	KP1	
639	1C	*	F20-3613-14	INSULATING BOARD	X1E1	
640	2A	*	G11-2887-04	CUSHION		
641	2A	*	G11-2888-04	CUSHION		
642	2A	*	G11-2952-04	CUSHION		
643	2A	*	G53-0092-04	GASKETTING		
-		*	H10-7909-02	POLYSTYRENE FOAMED FIXTURE		
-		*	H10-7910-02	POLYSTYRENE FOAMED FIXTURE		
-		*	H25-0232-04	PROTECTION BAG (235X350X0.03)		
-		*	H25-0391-04	PROTECTION BAG		
-		*	H50-4883-04	ITEM CARTON CASE	KP1	

L : Scandinavia K : USA P : Canada R : Mexico C : China I : Malaysia
Y : PX(Far East,Hawaii) T : England E : Europe G : Germany V : China(Shanghai)
Y : AAFES(Europe) X : Australia Q : Russia H : Korea M : Other Areas Δ indicates safety critical components.

* New Parts

Parts without **Parts No.** are not supplied.
Les articles non mentionnés dans le **Parts No.** ne sont pas fournis.
Teile ohne **Parts No.** werden nicht geliefert.

2

Ref. No	Address	New Parts	Parts No.	Description	Destination	Remarks
-		*	H50-4884-04	ITEM CARTON CASE	X1	
-		*	H50-4885-14	ITEM CARTON CASE	E1	
645	2B,2C	*	J02-1560-03	FOOT		
646	1C	*	J42-0349-05	POWER CORD BUSHING		
647	2A	*	K29-8324-04	KNOB	KP1X1	
647	2A	*	K29-8337-04	KNOB	E1	
648	2A	*	K29-8325-04	KNOB		
649	2A	*	K29-8326-03	KNOB		
650	2A	*	K29-8336-03	KNOB		
651	1C	*	L92-0579-05	FERRITE CORE		
660	1A	*	T90-0877-05	LEAD WIRE ANTENNA	X1E1	
660	1A	*	T90-0905-05	LEAD WIRE ANTENNA	KP1	
661	1A	*	T90-0906-05	LOOP ANTENNA		
662	2C	*	W02-4526-15	ELECTRIC CIRCUIT MODULE		
663	1C	*	W02-4542-05	TUNER ASSY	KP1	
663	1C	*	W02-4543-05	TUNER ASSY	E1	
663	1C	*	W02-4545-05	TUNER ASSY	X1	
664	1A	*	W09-0022-05	BATTERY		
DIGITAL AMPLIFIER X07-3550-10						
C1 -4			CC73GCH1H100D	CHIP C	10PF	D
C5			CC73GCH1H470J	CHIP C	47PF	J
C6			CE04KW1E470M	ELECTRO	47UF	25WV
C7			CK73FB1C104K	CHIP C	0.10UF	K
C8 ,9			CK73GB1H103K	CHIP C	0.010UF	K
C10		*	C91-1667-05	CERAMIC CAPACITOR		
C11			CK73FB1H223K	CHIP C	0.022UF	K
C12			CK73FF1C105Z	CHIP C	1.0UF	Z
C13			CK73FF1C225Z	CHIP C	2.2UF	Z
C14			CE04KW1A471M	ELECTRO	470UF	10WV
C15 ,16			CK73FB1C104K	CHIP C	0.10UF	K
C17 ,18			CC73GSL1H102J	CHIP C	1000PF	J
C19 ,20			CK73FF1C105Z	CHIP C	1.0UF	Z
C21 ,22			CK73FB1C104K	CHIP C	0.10UF	K
C24			CK73FB1C104K	CHIP C	0.10UF	K
C25 -28			CK73FB1H223K	CHIP C	0.022UF	K
C29			CK73FB1C104K	CHIP C	0.10UF	K
C30			CK73FF1C105Z	CHIP C	1.0UF	Z
C31 -34			CK73FB1C104K	CHIP C	0.10UF	K
C35 -38			CK73FB1H223K	CHIP C	0.022UF	K
C39			CK73FB1C104K	CHIP C	0.10UF	K
C40			CK73FF1C105Z	CHIP C	1.0UF	Z
C41 -44			CK73FB1C104K	CHIP C	0.10UF	K
C45 -48			CK73FB1H223K	CHIP C	0.022UF	K
C49			CK73FB1C104K	CHIP C	0.10UF	K
C50			CC73GCH1H150J	CHIP C	15PF	J
C50			CC73GCH1H470J	CHIP C	47PF	J
C51			CK73FB1C104K	CHIP C	0.10UF	K
C55			CC73GCH1H101J	CHIP C	100PF	J
C56 -58			CK73FF1C225Z	CHIP C	2.2UF	Z
C59			CC73GCH1H100D	CHIP C	10PF	D
C60			CK73FF1C224Z	CHIP C	0.22UF	Z
C61		*	C91-1585-05	CERAMIC CAPACITOR		KP1
C101,102		*	C91-1652-05	CERAMIC CAPACITOR		

L : Scandinavia K : USA P : Canada R : Mexico C : China I : Malaysia
Y : PX(Far East,Hawaii) T : England E : Europe G : Germany V : China(Shanghai)
Y : AAFES(Europe) X : Australia Q : Russia H : Korea M : Other Areas Δ indicates safety critical components.

PARTS LIST

VRS-7100

* New Parts

Parts without **Parts No.** are not supplied.Les articles non mentionnés dans le **Parts No.** ne sont pas fournis.Teile ohne **Parts No.** werden nicht geliefert.

③

Ref. No	Add- ress	New Parts	Parts No.	Description	Desti- nation	Re- marks
C103,104		*	C91-1664-05	CERAMIC CAPACITOR		
C105		*	C90-5807-05	ALMINIUM ELECTROLYTIC C.		
C107			CK73GB1H103K	CHIP C 0.010UF K		
C109			CK73FB1H104K	CHIP C 0.10UF K		
C111,112		*	C91-1672-05	PLASTIC FILM CAPACITOR		
C111,112		*	C91-1673-05	PLASTIC FILM CAPACITOR		
C113,114			CC73GSL1H681J	CHIP C 680PF J		
C115,116			CK73GB1H103K	CHIP C 0.010UF K		
C201,202		*	C91-1652-05	CERAMIC CAPACITOR		
C203,204		*	C91-1664-05	CERAMIC CAPACITOR		
C205		*	C90-5807-05	ALMINIUM ELECTROLYTIC C.		
C206			CE32AP1C100M	CHIP EL 10UF 16WV		
C207			CK73GB1H103K	CHIP C 0.010UF K		
C208			CE32AP1C100M	CHIP EL 10UF 16WV		
C209			CK73FB1H104K	CHIP C 0.10UF K		
C211,212		*	C91-1672-05	PLASTIC FILM CAPACITOR		
C211,212		*	C91-1673-05	PLASTIC FILM CAPACITOR		
C213,214			CC73GSL1H681J	CHIP C 680PF J		
C215,216			CK73GB1H103K	CHIP C 0.010UF K		
C301,302		*	C91-1652-05	CERAMIC CAPACITOR		
C303,304		*	C91-1664-05	CERAMIC CAPACITOR		
C305		*	C90-5807-05	ALMINIUM ELECTROLYTIC C.		
C306			CE32AP1C100M	CHIP EL 10UF 16WV		
C307			CK73GB1H103K	CHIP C 0.010UF K		
C308			CE32AP1C100M	CHIP EL 10UF 16WV		
C309			CK73FB1H104K	CHIP C 0.10UF K		
C311,312		*	C91-1672-05	PLASTIC FILM CAPACITOR		
C311,312		*	C91-1673-05	PLASTIC FILM CAPACITOR		
C313,314			CC73GSL1H681J	CHIP C 680PF J		
C315,316			CK73GB1H103K	CHIP C 0.010UF K		
C401,402		*	C91-1652-05	CERAMIC CAPACITOR		
C403,404		*	C91-1664-05	CERAMIC CAPACITOR		
C405		*	C90-5807-05	ALMINIUM ELECTROLYTIC C.		
C406			CE32AP1C100M	CHIP EL 10UF 16WV		
C407			CK73GB1H103K	CHIP C 0.010UF K		
C408			CE32AP1C100M	CHIP EL 10UF 16WV		
C409			CK73FB1H104K	CHIP C 0.10UF K		
C411,412		*	C91-1672-05	PLASTIC FILM CAPACITOR		
C411,412		*	C91-1673-05	PLASTIC FILM CAPACITOR		
C413,414			CC73GSL1H681J	CHIP C 680PF J		
C415,416			CK73GB1H103K	CHIP C 0.010UF K		
C501,502		*	C91-1652-05	CERAMIC CAPACITOR		
C503,504		*	C91-1664-05	CERAMIC CAPACITOR		
C505		*	C90-5807-05	ALMINIUM ELECTROLYTIC C.		
C507			CK73GB1H103K	CHIP C 0.010UF K		
C509			CK73FB1H104K	CHIP C 0.10UF K		
C511,512		*	C91-1672-05	PLASTIC FILM CAPACITOR		
C511,512		*	C91-1673-05	PLASTIC FILM CAPACITOR		
C513,514			CC73GSL1H681J	CHIP C 680PF J		
C515,516			CK73GB1H103K	CHIP C 0.010UF K		
C601,602		*	C91-1652-05	CERAMIC CAPACITOR		
C603,604		*	C91-1664-05	CERAMIC CAPACITOR		
C605		*	C90-5807-05	ALMINIUM ELECTROLYTIC C.		
C607			CK73GB1H103K	CHIP C 0.010UF K		
C609			CK73FB1H104K	CHIP C 0.10UF K		

L : Scandinavia K : USA P : Canada R : Mexico C : China I : Malaysia
 Y : PX(Far East,Hawaii) T : England E : Europe G : Germany V : China(Shanghai)
 Y : AAFES(Europe) X : Australia Q : Russia H : Korea M : Other Areas Δ indicates safety critical components.

* New Parts

Parts without **Parts No.** are not supplied.Les articles non mentionnés dans le **Parts No.** ne sont pas fournis.Teile ohne **Parts No.** werden nicht geliefert.

④

Ref. No	Add- ress	New Parts	Parts No.	Description	Desti- nation	Re- marks
C611,612		*	C91-1672-05	PLASTIC FILM CAPACITOR		
C611,612		*	C91-1673-05	PLASTIC FILM CAPACITOR		
C613,614			CC73GSL1H681J	CHIP C 680PF J		
C615,616			CK73GB1H103K	CHIP C 0.010UF K		
C701,702			CE32AP0G101M	CHIP EL 100UF 4.0WV		
C805			CE04KW1E101M	ELECTRO 100UF 25WV		
C806			CE32AP1C100M	CHIP EL 10UF 16WV		
CN1		*	E41-0616-05	FLAT CABLE CONNECTOR		
CN2		*	E41-1011-05	PIN ASSY		
CN3			E40-4299-05	PIN ASSY		
CN4			E41-0927-05	PIN ASSY		
CN5		*	E41-1013-05	PIN ASSY		
L101,102		*	L90-0505-05	COIL		
L104,105		*	L33-1665-05	LINE FILTER COIL		
L201,202		*	L90-0505-05	COIL		
L204,205		*	L33-1665-05	LINE FILTER COIL		
L301,302		*	L90-0505-05	COIL		
L304,305		*	L33-1665-05	LINE FILTER COIL		
L401,402		*	L90-0505-05	COIL		
L404,405		*	L33-1665-05	LINE FILTER COIL		
L501,502		*	L90-0505-05	COIL		
L504,505		*	L33-1665-05	LINE FILTER COIL		
L601,602		*	L90-0505-05	COIL		
L604,605		*	L33-1665-05	LINE FILTER COIL		
R1			RK73GB1J103J	CHIP R 10K J 1/16W		
R2			RK73FB2A8R2J	CHIP R 8.2 J 1/10W		
R3			RK73GB1J271J	CHIP R 270 J 1/16W		
R6			RK73GB1J1R0J	CHIP R 1 J 1/16W		
R7 -9			RK73GB1J121J	CHIP R 120 J 1/16W		
R10			RK73GB1J1R0J	CHIP R 1 J 1/16W		
R11			RK73GB1J121J	CHIP R 120 J 1/16W		
R12			RK73GB1J111J	CHIP R 110 J 1/16W		
R13 ,14			RK73GB1J103J	CHIP R 10K J 1/16W		
R15 ,16			RK73GB1J121J	CHIP R 120 J 1/16W		
R18 ,19			RK73GB1J161J	CHIP R 160 J 1/16W		
R20 ,21			RK73GB1J224J	CHIP R 220K J 1/16W		
R22			RK73GB1J103J	CHIP R 10K J 1/16W		
R23			RK73GB1J223J	CHIP R 22K J 1/16W		
R24 -26			RK73GB1J101J	CHIP R 100 J 1/16W		
R27			RK73GB1J103J	CHIP R 10K J 1/16W		
R28			RK73GB1J223J	CHIP R 22K J 1/16W		
R29			RK73GB1J161J	CHIP R 160 J 1/16W		
R30 -35			RK73GB1J102J	CHIP R 1.0K J 1/16W		
R39			RK73GB1J121J	CHIP R 120 J 1/16W		
R49			RK73GB1J121J	CHIP R 120 J 1/16W		
Δ R50			RK73GB1J1R0J	CHIP R 1 J 1/16W		
Δ R51			RK73FB2A4R7J	CHIP R 4.7 J 1/10W		
R52			RK73GB1J1R0J	CHIP R 1 J 1/16W		
R53 -55			RK73GB1J1R0J	CHIP R 1 J 1/16W		
R101-104			R92-1945-05	METAL GLAZE 1 J 1/4W		
R105-108		*	R92-4624-05	METAL GLAZE RESISTOR		
R109		*	R92-4631-05	METAL GLAZE RESISTOR		
R110		*	R92-4624-05	METAL GLAZE RESISTOR		
R111,112			RK73FB2A4R7J	CHIP R 4.7 J 1/10W		

L : Scandinavia K : USA P : Canada R : Mexico C : China I : Malaysia
 Y : PX(Far East,Hawaii) T : England E : Europe G : Germany V : China(Shanghai)
 Y : AAFES(Europe) X : Australia Q : Russia H : Korea M : Other Areas Δ indicates safety critical components.

* New Parts

Parts without **Parts No.** are not supplied.
Les articles non mentionnés dans le **Parts No.** ne sont pas fournis.
Teile ohne **Parts No.** werden nicht geliefert.

5

Ref. No	Add-ress	New Parts	Parts No.	Description	Desti-nation	Re-marks
R113-116		*	R92-4626-05	METAL GLAZE RESISTOR		
R117,118			RK73GB1J333J	CHIP R 33K	J	1/16W
R119		*	R92-4624-05	METAL GLAZE RESISTOR		
R122,123			R92-1945-05	METAL GLAZE 1	J	1/4W
R201-204			R92-1945-05	METAL GLAZE 1	J	1/4W
R205-208		*	R92-4624-05	METAL GLAZE RESISTOR		
R209		*	R92-4631-05	METAL GLAZE RESISTOR		
R210		*	R92-4624-05	METAL GLAZE RESISTOR		
R211,212			RK73FB2A4R7J	CHIP R 4.7	J	1/10W
R213-216		*	R92-4626-05	METAL GLAZE RESISTOR		
R217,218			RK73GB1J333J	CHIP R 33K	J	1/16W
R219		*	R92-4624-05	METAL GLAZE RESISTOR		
R222,223			R92-1945-05	METAL GLAZE 1	J	1/4W
R224-231			RK73GB1J391J	CHIP R 390	J	1/16W
R232,233			RK73GB1J1R0J	CHIP R 1	J	1/16W
R234			RK73GB1J100J	CHIP R 10	J	1/16W
R235,236			RK73GB1J391J	CHIP R 390	J	1/16W
R237,238			RK73GB1J105J	CHIP R 1.0M	J	1/16W
R239			RK73GB1J103J	CHIP R 10K	J	1/16W
R301-304			R92-1945-05	METAL GLAZE 1	J	1/4W
R305-308		*	R92-4624-05	METAL GLAZE RESISTOR		
R309		*	R92-4631-05	METAL GLAZE RESISTOR		
R310		*	R92-4624-05	METAL GLAZE RESISTOR		
R311,312			RK73FB2A4R7J	CHIP R 4.7	J	1/10W
R313-316		*	R92-4626-05	METAL GLAZE RESISTOR		
R317,318			RK73GB1J333J	CHIP R 33K	J	1/16W
R319		*	R92-4624-05	METAL GLAZE RESISTOR		
R322,323			R92-1945-05	METAL GLAZE 1	J	1/4W
R324-331			RK73GB1J391J	CHIP R 390	J	1/16W
R332,333			RK73GB1J1R0J	CHIP R 1	J	1/16W
R334			RK73GB1J100J	CHIP R 10	J	1/16W
R335,336			RK73GB1J391J	CHIP R 390	J	1/16W
R337			RK73GB1J103J	CHIP R 10K	J	1/16W
R401-404			R92-1945-05	METAL GLAZE 1	J	1/4W
R405-408		*	R92-4624-05	METAL GLAZE RESISTOR		
R409		*	R92-4631-05	METAL GLAZE RESISTOR		
R410		*	R92-4624-05	METAL GLAZE RESISTOR		
R411,412			RK73FB2A4R7J	CHIP R 4.7	J	1/10W
R413-416		*	R92-4626-05	METAL GLAZE RESISTOR		
R417,418			RK73GB1J333J	CHIP R 33K	J	1/16W
R419		*	R92-4624-05	METAL GLAZE RESISTOR		
R422,423			R92-1945-05	METAL GLAZE 1	J	1/4W
R424-431			RK73GB1J391J	CHIP R 390	J	1/16W
R432,433			RK73GB1J1R0J	CHIP R 1	J	1/16W
R434			RK73GB1J100J	CHIP R 10	J	1/16W
R435,436			RK73GB1J391J	CHIP R 390	J	1/16W
R437			RK73GB1J103J	CHIP R 10K	J	1/16W
R501-504			R92-1945-05	METAL GLAZE 1	J	1/4W
R505-508		*	R92-4624-05	METAL GLAZE RESISTOR		
R509		*	R92-4631-05	METAL GLAZE RESISTOR		
R510		*	R92-4624-05	METAL GLAZE RESISTOR		
R511,512			RK73FB2A4R7J	CHIP R 4.7	J	1/10W
R513-516		*	R92-4626-05	METAL GLAZE RESISTOR		
R517,518			RK73GB1J333J	CHIP R 33K	J	1/16W
R519		*	R92-4624-05	METAL GLAZE RESISTOR		

L : Scandinavia K : USA P : Canada R : Mexico C : China I : Malaysia
 Y : PX(Far East,Hawaii) T : England E : Europe G : Germany V : China(Shanghai)
 Y : AAFES(Europe) X : Australia Q : Russia H : Korea M : Other Areas Δ indicates safety critical components .

* New Parts

Parts without **Parts No.** are not supplied.
Les articles non mentionnés dans le **Parts No.** ne sont pas fournis.
Teile ohne **Parts No.** werden nicht geliefert.

6

Ref. No	Add-ress	New Parts	Parts No.	Description	Desti-nation	Re-marks
R522,523			R92-1945-05	METAL GLAZE 1	J	1/4W
R601-604			R92-1945-05	METAL GLAZE 1	J	1/4W
R605-608		*	R92-4624-05	METAL GLAZE RESISTOR		
R609		*	R92-4631-05	METAL GLAZE RESISTOR		
R610		*	R92-4624-05	METAL GLAZE RESISTOR		
R611,612			RK73FB2A4R7J	CHIP R 4.7	J	1/10W
R613-616		*	R92-4626-05	METAL GLAZE RESISTOR		
R617,618			RK73GB1J333J	CHIP R 33K	J	1/16W
R619		*	R92-4624-05	METAL GLAZE RESISTOR		
R622,623			R92-1945-05	METAL GLAZE 1	J	1/4W
R703-706		*	R92-4626-05	METAL GLAZE RESISTOR		
R707,708			RK73GB1J822J	CHIP R 8.2K	J	1/16W
R709,710			RK73GB1J223J	CHIP R 22K	J	1/16W
R711			RK73GB1J393J	CHIP R 39K	J	1/16W
R712,713			RK73GB1J473J	CHIP R 47K	J	1/16W
R806			RK73GB1J242J	CHIP R 2.4K	J	1/16W
D105,106		*	10BQ060	DIODE		
D205,206		*	10BQ060	DIODE		
D305,306		*	10BQ060	DIODE		
D405,406		*	10BQ060	DIODE		
D505,506		*	10BQ060	DIODE		
D605,606		*	10BQ060	DIODE		
D701			HZU3.9(B2)	ZENER DIODE		
D701			UDZS3.9B	ZENER DIODE		
D702-704			MA111	DIODE		
D804			HZU8.2(B2)	ZENER DIODE		
D804			UDZS8.2B	ZENER DIODE		
D806			MA111	DIODE		
IC1		*	TAS5076PFC	MOS-IC		
Δ IC2 -4		*	TAS5182DCAR	MOS-IC		
Δ IC5		*	XC6202PC02PR	ANALOGUE IC		
Δ IC6			XC6201P332PR	ANALOGUE IC		
Δ Q101-104		*	IRFI224N	FET		
Δ Q201-204		*	IRFI224N	FET		
Δ Q301-304		*	IRFI224N	FET		
Δ Q401-404		*	IRFI224N	FET		
Δ Q501-504		*	IRFI224N	FET		
Δ Q601-604		*	IRFI224N	FET		
Q701-704			2SC4081(R,S)	TRANSISTOR		
Q701-704			2SD1819A(Q,R)	TRANSISTOR		
Q705			2SA1576A(R,S)	TRANSISTOR		
Q705			2SB1218A(Q,R)	TRANSISTOR		
Δ Q803			2SD2012	TRANSISTOR		
SURROUND X08-3280-10						
C11			CK73GB1C104K	CHIP C 0.10UF	K	
C12			CK73GB1A474K	CHIP C 0.47UF	K	
C13,14			CK73GB1C104K	CHIP C 0.10UF	K	
C15			CK73GB1H103K	CHIP C 0.010UF	K	
C16,17			CC73GCH1H270J	CHIP C 27PF	J	
C21,22			CK73GB1H102K	CHIP C 1000PF	K	
C23			CC73GCH1H820J	CHIP C 82PF	J	
C24,25			CK73GB1H102K	CHIP C 1000PF	K	
C41			CK73FB0J475K	CHIP C 4.7UF	K	
C42			CK73GB1H103K	CHIP C 0.010UF	K	

L : Scandinavia K : USA P : Canada R : Mexico C : China I : Malaysia
 Y : PX(Far East,Hawaii) T : England E : Europe G : Germany V : China(Shanghai)
 Y : AAFES(Europe) X : Australia Q : Russia H : Korea M : Other Areas Δ indicates safety critical components .

PARTS LIST

VRS-7100

* New Parts
 Parts without **Parts No.** are not supplied.
 Les articles non mentionnés dans le **Parts No.** ne sont pas fournis.
 Teile ohne **Parts No.** werden nicht geliefert.



Ref. No	Add-ress	New Parts	Parts No.	Description	Desti-nation	Re-marks
C43			CE32AP1H2R2M	CHIP EL 2.2UF 50WV		
C44 .45			CK73GB1C104K	CHIP C 0.10UF K		
C46			CE32APOJ470M	CHIP EL 47UF 6.3WV		
C49			CE32AP1C100M	CHIP EL 10UF 16WV		
C57 .58			CC73GSL1H471J	CHIP C 470PF J		
C61 .62			CC73GCH1H080D	CHIP C 8.0PF D		
C63			CK73GB1H102K	CHIP C 1000PF K		
C64			CK73GB1C104K	CHIP C 0.10UF K		
C65			CE32AP0J470M	CHIP EL 47UF 6.3WV		
C66			CC73GCH1H220J	CHIP C 22PF J		
C81 .82			CK73GB1C104K	CHIP C 0.10UF K		
C83			CE32AP1C100M	CHIP EL 10UF 16WV		
C84 .85			CK73GB1C104K	CHIP C 0.10UF K		
C86			CE32AP1C100M	CHIP EL 10UF 16WV		
C101,102			CK73FBOJ475K	CHIP C 4.7UF K		
C103,104			CK73GB1H122K	CHIP C 1200PF K		
C105,106			CK73GB1H272K	CHIP C 2700PF K		
C109			CC73GCH1H101J	CHIP C 100PF J		
C110			CK73GB1H103K	CHIP C 0.010UF K		
C121,122			CK73FBOJ475K	CHIP C 4.7UF K		
C123-126			CK73GB1H182K	CHIP C 1800PF K		
C129			CC73GCH1H101J	CHIP C 100PF J		
C130			CK73GB1H103K	CHIP C 0.010UF K		
C141,142			CK73FBOJ475K	CHIP C 4.7UF K		
C143,144			CK73GB1H122K	CHIP C 1200PF K		
C145,146			CK73GB1H272K	CHIP C 2700PF K		
C149			CC73GCH1H101J	CHIP C 100PF J		
C150			CK73GB1H103K	CHIP C 0.010UF K		
C161,162			CK73FBOJ475K	CHIP C 4.7UF K		
C163,164			CK73GB1H122K	CHIP C 1200PF K		
C165,166			CK73GB1H272K	CHIP C 2700PF K		
C169			CC73GCH1H101J	CHIP C 100PF J		
C170			CK73GB1H103K	CHIP C 0.010UF K		
C501-528			CK73GB1C104K	CHIP C 0.10UF K		
C529			CE32AP1C100M	CHIP EL 10UF 16WV		
C530-543			CK73GB1C104K	CHIP C 0.10UF K		
C544,545			CC73GCH1H050C	CHIP C 5.0PF C		
C546-556			CK73GB1C104K	CHIP C 0.10UF K		
C557,558			CC73GCH1H050C	CHIP C 5.0PF C		
C569,570			CC73GCH1H101J	CHIP C 100PF J		
C571,572			CC73GCH1H150J	CHIP C 15PF J		
C573			CK73GB1H102K	CHIP C 1000PF K		
C601-603			CK73GB1C104K	CHIP C 0.10UF K		
C604			CE32AP1C100M	CHIP EL 10UF 16WV		
C606			CK73FB1C105K	CHIP C 1.0UF K		
C607			CK73GB1C104K	CHIP C 0.10UF K		
C608			CE32APOG101M	CHIP EL 100UF 4.0WV		
C609			CK73GB1C104K	CHIP C 0.10UF K		
C610			CE32APOG101M	CHIP EL 100UF 4.0WV		
C701			CK73FB1C105K	CHIP C 1.0UF K		
C702			CK73GB1H103K	CHIP C 0.010UF K		
C703			CE32APOG101M	CHIP EL 100UF 4.0WV		
C704,705			CK73GB1H103K	CHIP C 0.010UF K		
C706			CK73GB1C104K	CHIP C 0.10UF K		
C707			CK73FB1C105K	CHIP C 1.0UF K		

L : Scandinavia K : USA P : Canada R : Mexico C : China I : Malaysia
 Y : PX(Far East,Hawaii) T : England E : Europe G : Germany V : China(Shanghai)
 Y : AAFES(Europe) X : Australia Q : Russia H : Korea M : Other Areas indicates safety critical components .



* New Parts
 Parts without **Parts No.** are not supplied.
 Les articles non mentionnés dans le **Parts No.** ne sont pas fournis.
 Teile ohne **Parts No.** werden nicht geliefert.

Ref. No	Add-ress	New Parts	Parts No.	Description	Desti-nation	Re-marks
C708,709			CK73GB1H102K	CHIP C 1000PF K		
C710			CK73GB1H103K	CHIP C 0.010UF K		
C711			CK73GB1H102K	CHIP C 1000PF K		
C801,802			CK73GB1H103K	CHIP C 0.010UF K		
C901,902			CK73FB1C105K	CHIP C 1.0UF K		
C903			CK73GB1C104K	CHIP C 0.10UF K		
C904			CE32APOG101M	CHIP EL 100UF 4.0WV		
C905		*	CE32AC0J471M	CHIP EL 470UF 6.3WV		
C906			CK73GB1H103K	CHIP C 0.010UF K		
C911,912			CK73FB1C105K	CHIP C 1.0UF K		
C951			CC73GCH1H180J	CHIP C 18PF J		E1
C952			CK73FF1C225Z	CHIP C 2.2UF Z		E1
C953			CC73GCH1H271J	CHIP C 270PF J		E1
C954			CC73GCH1H180J	CHIP C 18PF J		E1
C955			CK73GB1H103K	CHIP C 0.010UF K		E1
C956			CC73GSL1H561J	CHIP C 560PF J		E1
C957			CE32AP1C100M	CHIP EL 10UF 16WV		E1
C959			CK73GB1H103K	CHIP C 0.010UF K		E1
CN1		*	E41-1040-05	FLAT CABLE CONNECTOR		
CN4		*	E41-0865-05	PIN ASSY		
CN5			E40-8938-05	PIN ASSY		
CN8			E40-8940-05	PIN ASSY		
CN11			E40-8630-05	FLAT CABLE CONNECTOR		
CN13		*	E41-0616-05	FLAT CABLE CONNECTOR		
CN71			E40-8631-05	FLAT CABLE CONNECTOR		
CN72		*	E41-1041-05	FLAT CABLE CONNECTOR		
CN74			E40-8311-05	FLAT CABLE CONNECTOR		
CN91		*	E41-0887-05	PIN ASSY		
L1 .2		*	L92-0578-05	CHIP FERRITE		
L5 .6		*	L92-0584-05	CHIP FERRITE		
L51 .52		*	L92-0585-05	CHIP FERRITE		
L57 .58		*	L92-0585-05	CHIP FERRITE		
X6		*	L77-2419-05	CRYSTAL RESONATOR 24.576MHZ, H		
X51		*	L77-2420-05	CRYSTAL RESONATOR 18.75MHZ, HC		
X71		*	L78-0765-05	RESONATOR (8.388MHZ)		
X95		*	L77-2424-05	CRYSTAL RESONATOR 4.332MHZ, HC		E1
CP53,54		*	RK74GB1J680J	CHIP-COM 68 J 1/16W		
CP55,56			RK74GB1J101J	CHIP-COM 100 J 1/16W		
CP59-64		*	RK74GB1J680J	CHIP-COM 68 J 1/16W		
CP65			RK74GB1J101J	CHIP-COM 100 J 1/16W		
R11 -15			RK73GB1J470J	CHIP R 47 J 1/16W		
R17			RK73GB1J470J	CHIP R 47 J 1/16W		
R19 ,20			RK73GB1J101J	CHIP R 100 J 1/16W		
R21			RK73GB1J183J	CHIP R 18K J 1/16W		
R22 ,23			RK73GB1J330J	CHIP R 33 J 1/16W		
R24 -26			RK73GB1J101J	CHIP R 100 J 1/16W		
R27			RK73GB1J104J	CHIP R 100K J 1/16W		
R28 -30			RK73GB1J330J	CHIP R 33 J 1/16W		
R31			RK73GB1J101J	CHIP R 100 J 1/16W		
R32			RK73GB1J102J	CHIP R 1.0K J 1/16W		
R41			RK73GB1J330J	CHIP R 33 J 1/16W		
R42			RK73GB1J104J	CHIP R 100K J 1/16W		
R43			RK73GB1J101J	CHIP R 100 J 1/16W		
R44 -49			RK73GB1J100J	CHIP R 10 J 1/16W		

L : Scandinavia K : USA P : Canada R : Mexico C : China I : Malaysia
 Y : PX(Far East,Hawaii) T : England E : Europe G : Germany V : China(Shanghai)
 Y : AAFES(Europe) X : Australia Q : Russia H : Korea M : Other Areas indicates safety critical components .

* New Parts

Parts without **Parts No.** are not supplied.
Les articles non mentionnés dans le **Parts No.** ne sont pas fournis.
Teile ohne **Parts No.** werden nicht geliefert.

9

Ref. No	Add-ress	New Parts	Parts No.	Description	Desti-nation	Re-marks
Δ R51			RK73GB1J100J	CHIP R 10	J	1/16W
Δ R52			R92-1946-05	METAL GLAZE 4.7	J	1/4W
Δ R54			R92-1960-05	METAL GLAZE 2.2	J	1/4W
R55, 56			RK73GB1J471J	CHIP R 470	J	1/16W
Δ R61, 62			RK73GB1J105J	CHIP R 1.0M	J	1/16W
R63			RK73GB1J221J	CHIP R 220	J	1/16W
R64			RK73FB2A470J	CHIP R 47	J	1/10W
R65			RK73GB1J101J	CHIP R 100	J	1/16W
Δ R81			R92-1960-05	METAL GLAZE 2.2	J	1/4W
R101, 102			RK73GB1J473J	CHIP R 47K	J	1/16W
R103-106			RK73GB1J182J	CHIP R 1.8K	J	1/16W
R107, 108			RK73GB1J224J	CHIP R 220K	J	1/16W
R109, 110			RK73GB1J472J	CHIP R 4.7K	J	1/16W
R111, 112			RK73GB1J101J	CHIP R 100	J	1/16W
R121, 122			RK73GB1J473J	CHIP R 47K	J	1/16W
R123, 124			RK73GB1J152J	CHIP R 1.5K	J	1/16W
R125, 126			RK73GB1J222J	CHIP R 2.2K	J	1/16W
R127-130			RK73GB1J472J	CHIP R 4.7K	J	1/16W
R131, 132			RK73GB1J101J	CHIP R 100	J	1/16W
R141, 142			RK73GB1J473J	CHIP R 47K	J	1/16W
R143-146			RK73GB1J182J	CHIP R 1.8K	J	1/16W
R147, 148			RK73GB1J224J	CHIP R 220K	J	1/16W
R149, 150			RK73GB1J472J	CHIP R 4.7K	J	1/16W
R151, 152			RK73GB1J101J	CHIP R 100	J	1/16W
R161, 162			RK73GB1J473J	CHIP R 47K	J	1/16W
R163-166			RK73GB1J182J	CHIP R 1.8K	J	1/16W
R167, 168			RK73GB1J224J	CHIP R 220K	J	1/16W
R169, 170			RK73GB1J472J	CHIP R 4.7K	J	1/16W
R171, 172			RK73GB1J101J	CHIP R 100	J	1/16W
R501-504			RK73GB1J330J	CHIP R 33	J	1/16W
R505, 506			RK73GB1J104J	CHIP R 100K	J	1/16W
R507, 508			RK73GB1J330J	CHIP R 33	J	1/16W
R509			RK73GB1J750J	CHIP R 75	J	1/16W
R510			RK73GB1J104J	CHIP R 100K	J	1/16W
R511, 512			RK73GB1J330J	CHIP R 33	J	1/16W
R513-515			RK73GB1J104J	CHIP R 100K	J	1/16W
R516			RK73GB1J100J	CHIP R 10	J	1/16W
R517			RK73GB1J101J	CHIP R 100	J	1/16W
R518			RK73FB2A100J	CHIP R 10	J	1/10W
R521			RK73GB1J472J	CHIP R 4.7K	J	1/16W
R523, 524			RK73GB1J472J	CHIP R 4.7K	J	1/16W
R527			RK73GB1J101J	CHIP R 100	J	1/16W
R528-530			RK73GB1J472J	CHIP R 4.7K	J	1/16W
R532-534			RK73GB1J472J	CHIP R 4.7K	J	1/16W
R536			RK73GB1J103J	CHIP R 10K	J	1/16W
R537-540			RK73GB1J472J	CHIP R 4.7K	J	1/16W
R541-550			RK73GB1J100J	CHIP R 10	J	1/16W
R551			RK73GB1J104J	CHIP R 100K	J	1/16W
R552			RK73GB1J102J	CHIP R 1.0K	J	1/16W
R553, 554			RK73GB1J100J	CHIP R 10	J	1/16W
R555			RK73GB1J270J	CHIP R 27	J	1/16W
R556			RK73GB1J470J	CHIP R 47	J	1/16W
R557			RK73GB1J3R3J	CHIP R 3.3	J	1/16W
R560-567			RK73GB1J472J	CHIP R 4.7K	J	1/16W
R571			RK73GB1J105J	CHIP R 1.0M	J	1/16W

* New Parts

Parts without **Parts No.** are not supplied.
Les articles non mentionnés dans le **Parts No.** ne sont pas fournis.
Teile ohne **Parts No.** werden nicht geliefert.

10

Ref. No	Add-ress	New Parts	Parts No.	Description	Desti-nation	Re-marks
Δ R572			RK73GB1J101J	CHIP R 100	J	1/16W
R573			RK73GB1J105J	CHIP R 1.0M	J	1/16W
Δ R601, 602			R92-2104-05	CHIP R 2.2	J	1W
R603			RK73GB1J202J	CHIP R 2.0K	J	1/16W
R604, 605			RK73GB1J103J	CHIP R 10K	J	1/16W
R701			RK73GB1J243J	CHIP R 24K	J	1/16W
R701			RK73GB1J682J	CHIP R 6.8K	J	1/16W
R702			RK73GB1J103J	CHIP R 10K	J	1/16W
R704			RK73GB1J103J	CHIP R 10K	J	1/16W
R705			RK73GB1J153J	CHIP R 15K	J	1/16W
R706, 707			RK73GB1J104J	CHIP R 100K	J	1/16W
R710			RK73GB1J104J	CHIP R 100K	J	1/16W
R711			RK73GB1J103J	CHIP R 10K	J	1/16W
R712			RK73GB1J101J	CHIP R 100	J	1/16W
Δ R713, 714			RK73FB2A1R0J	CHIP R 1	J	1/10W
R718			RK73GB1J101J	CHIP R 100	J	1/16W
R719			RK73GB1J222J	CHIP R 2.2K	J	1/16W
R720, 721			RK73GB1J101J	CHIP R 100	J	1/16W
R722			RK73GB1J222J	CHIP R 2.2K	J	1/16W
R725, 726			RK73GB1J104J	CHIP R 100K	J	1/16W
R727			RK73GB1J392J	CHIP R 3.9K	J	1/16W
R728, 729			RK73GB1J104J	CHIP R 100K	J	1/16W
R730			RK73GB1J392J	CHIP R 3.9K	J	1/16W
R731			RK73GB1J104J	CHIP R 100K	J	1/16W
R732-734			RK73GB1J101J	CHIP R 100	J	1/16W
R735-747			RK73GB1J104J	CHIP R 100K	J	1/16W
R748			RK73GB1J102J	CHIP R 1.0K	J	1/16W
R749-752			RK73GB1J104J	CHIP R 100K	J	1/16W
R754-760			RK73GB1J101J	CHIP R 100	J	1/16W
R761-765			RK73GB1J104J	CHIP R 100K	J	1/16W
R766-768			RK73GB1J101J	CHIP R 100	J	1/16W
R770, 771			RK73GB1J102J	CHIP R 1.0K	J	1/16W
R772-783			RK73GB1J104J	CHIP R 100K	J	1/16W
R784-790			RK73GB1J101J	CHIP R 100	J	1/16W
R793, 794			RK73GB1J101J	CHIP R 100	J	1/16W
R796-803			RK73GB1J101J	CHIP R 100	J	1/16W
R804, 805			RK73GB1J471J	CHIP R 470	J	1/16W
R807			RK73GB1J101J	CHIP R 100	J	1/16W
R808-811			RK73GB1J104J	CHIP R 100K	J	1/16W
R812-815			RK73GB1J472J	CHIP R 4.7K	J	1/16W
R816-818			RK73GB1J104J	CHIP R 100K	J	1/16W
R819-827			RK73GB1J103J	CHIP R 10K	J	1/16W
R828			RK73GB1J181J	CHIP R 180	J	1/16W
R829-831			RK73GB1J101J	CHIP R 100	J	1/16W
R832-835			RK73GB1J104J	CHIP R 100K	J	1/16W
R836-838			RK73GB1J101J	CHIP R 100	J	1/16W
R839, 840			RK73GB1J471J	CHIP R 470	J	1/16W
R841, 842			RK73GB1J101J	CHIP R 100	J	1/16W
R843			RK73GB1J102J	CHIP R 1.0K	J	1/16W
R845, 846			RK73GB1J473J	CHIP R 47K	J	1/16W
R847			RK73GB1J1R0J	CHIP R 1	J	1/16W
R848			RK73GB1J4R7J	CHIP R 4.7	J	1/16W
R852			RK73GB1J104J	CHIP R 100K	J	1/16W
R854-867			RK73GB1J104J	CHIP R 100K	J	1/16W
Δ R869			RK73FB2A1R0J	CHIP R 1	J	1/10W

PARTS LIST

VRS-7100

L : Scandinavia K : USA P : Canada R : Mexico C : China I : Malaysia
Y : PX(Far East,Hawaii) T : England E : Europe G : Germany V : China(Shanghai)
Y : AAFES(Europe) X : Australia Q : Russia H : Korea M : Other Areas Δ indicates safety critical components .

L : Scandinavia K : USA P : Canada R : Mexico C : China I : Malaysia
Y : PX(Far East,Hawaii) T : England E : Europe G : Germany V : China(Shanghai)
Y : AAFES(Europe) X : Australia Q : Russia H : Korea M : Other Areas Δ indicates safety critical components .

* New Parts
Parts without **Parts No.** are not supplied.
Les articles non mentionnés dans le **Parts No.** ne sont pas fournis.
Teile ohne **Parts No.** werden nicht geliefert.

⑪

Ref. No	Add-ress	New Parts	Parts No.	Description	Desti-nation	Re-marks
R870			RK73GB1J101J	CHIP R	100	J 1/16W
R871			RK73GB1J104J	CHIP R	100K	J 1/16W
R872,873			RK73GB1J472J	CHIP R	4.7K	J 1/16W
R876-882			RK73GB1J101J	CHIP R	100	J 1/16W
R883			RK73GB1J471J	CHIP R	470	J 1/16W
△ R884-888			RK73GB1J101J	CHIP R	100	J 1/16W
△ R895,896			RK73FB2A2R2J	CHIP R	2.2	J 1/10W
△ R901			R92-1945-05	METAL GLAZE	1	J 1/4W
△ R902-904			RK73GB1J103J	CHIP R	10K	J 1/16W
△ R905			RK73GB1J102J	CHIP R	1.0K	J 1/16W
R906			RK73GB1J103J	CHIP R	10K	J 1/16W
△ R908,909			RK73GB1J102J	CHIP R	1.0K	J 1/16W
△ R910			RK73GB1J103J	CHIP R	10K	J 1/16W
△ R911			R92-1945-05	METAL GLAZE	1	J 1/4W
△ R921-933			RK73GB1J101J	CHIP R	100	J 1/16W
R934,935			RK73GB1J104J	CHIP R	100K	J 1/16W
△ R936-938			RK73GB1J101J	CHIP R	100	J 1/16W
△ R942			RK73GB1J101J	CHIP R	100	J 1/16W
△ R943			RK73GB1J473J	CHIP R	47K	J 1/16W
△ R944			RK73GB1J101J	CHIP R	100	J 1/16W
R945			RK73GB1J473J	CHIP R	47K	J 1/16W
△ R951,952			RK73GB1J101J	CHIP R	100	J 1/16W
△ R953			RK73GB1J473J	CHIP R	47K	J 1/16W
△ R954			RK73GB1J101J	CHIP R	100	J 1/16W
D11 -14			DAN202U	DIODE		
△ D11 -14			MA142WK	DIODE		
△ D11 -14			1SS301	DIODE		
△ D41			DAP202U	DIODE		
△ D41			MA142WA	DIODE		
D41			1SS300	DIODE		
△ D42			DAN202U	DIODE		
△ D42			MA142WK	DIODE		
△ D42			1SS301	DIODE		
△ D81			MA111	DIODE		
△ D551			MA111	DIODE		
△ D601			1SR154-400	DIODE		
△ D901,902			1SR154-400	DIODE		
△ D903-905			MA111	DIODE		
△ IC1		*	AK4114VQ	MOS-IC		
△ IC2		*	AK4529-VQ	MOS-IC		
△ IC2		*	AK4628-VQ	MOS-IC		
△ IC2		*	AK4628A-VQ	MOS-IC		
△ IC6			TC7WU04FU	MOS-IC		
△ IC7			BA05FP	ANALOGUE IC		
△ IC8			XC6201P332PR	ANALOGUE IC		
△ IC10			NJM4565M	ANALOGUE IC		
△ IC10			NJM4565MD	ANALOGUE IC		
△ IC12			NJM4565M	ANALOGUE IC		
△ IC12			NJM4565MD	ANALOGUE IC		
△ IC14			NJM4565M	ANALOGUE IC		
△ IC14			NJM4565MD	ANALOGUE IC		
△ IC16			NJM4565M	ANALOGUE IC		
△ IC16			NJM4565MD	ANALOGUE IC		
△ IC50		*	ADSST-AVR-1045	MOS-IC		

L : Scandinavia K : USA P : Canada R : Mexico C : China I : Malaysia
Y : PX(Far East,Hawaii) T : England E : Europe G : Germany V : China(Shanghai)
Y : AAFES(Europe) X : Australia Q : Russia H : Korea M : Other Areas △ indicates safety critical components .

* New Parts
Parts without **Parts No.** are not supplied.
Les articles non mentionnés dans le **Parts No.** ne sont pas fournis.
Teile ohne **Parts No.** werden nicht geliefert.

⑫

Ref. No	Add-ress	New Parts	Parts No.	Description	Desti-nation	Re-marks
IC51-53		*	SN74LVC573APWR	MOS-IC		
IC51-53		*	TC74LCX573FT	MOS-IC		
IC54		*	SN74LVC245APWR	MOS-IC		
IC54		*	TC74LCX245FT	MOS-IC		
IC55		*	SN74LVC2G125T3	MOS-IC		
IC56		*	SN74LVC139APWR	MOS-IC		
IC57		*	SN74LVC1G08DC3	MOS-IC		
IC57		*	TC7SA08FU	MOS-IC		
IC58		*	SN74LVC1G32DC3	MOS-IC		
IC59		*	A29L800TV70KA1	ROM IC		
△ IC60		*	K6R4008V1DUC10	SRAM IC		
△ IC61		*	BA033FP	ANALOGUE IC		
△ IC62		*	SI-3010KM	ANALOGUE IC		
△ IC63		*	BA033FP	ANALOGUE IC		
△ IC65		*	SN74LVC1G32DC3	MOS-IC		
IC71		*	MN101C49HND	MICROCONTROLLER IC		
IC72,73		*	BR24L04FJ-W	ROM IC		
IC81,82		*	SN74AHCT541PWR	MOS-IC		
IC81,82		*	TC74VHCT541AFT	MOS-IC		
△ IC91		*	XC62HR4102PR	ANALOGUE IC		
△ IC92		*	XC61CN2702MR	ANALOGUE IC		
△ IC93		*	XC6201P502PR	ANALOGUE IC		
△ IC95		*	BU1924F	ANALOGUE IC		
△ Q551		*	2SC4081(R,S)	TRANSISTOR	E1	
△ Q551		*	2SD1819A(Q,R)	TRANSISTOR	E1	
Q701		*	DTC124EUA	DIGITAL TRANSISTOR		
Q701		*	KRC403	DIGITAL TRANSISTOR		
Q701		*	UN5212	DIGITAL TRANSISTOR		
Q901		*	2SC4081(R,S)	TRANSISTOR		
Q901		*	2SD1819A(Q,R)	TRANSISTOR		
DISPLAY X14-7790-10						
D104-107		*	B30-2545-05	LED(RED3(160))		
△ D109		*	B30-2663-05	LED(GREEN)		
△ D110		*	B30-2597-05	LED(RED HI-BRIGHT)		
△ C2 ,3		*	C91-1627-05	POLYESTE 0.1UF 250VAC		
△ C6		*	C90-5790-05	ALMINIUM ELECTROLYTIC C.		KP1
△ C6		*	C90-5810-05	ALMINIUM ELECTROLYTIC C.		X1E1
△ C7		*	C91-1655-05	POLYPROPYLEN FILM CAPACITOR		KP1
△ C7		*	C91-1657-05	POLYPROPYLEN FILM CAPACITOR		X1E1
C8		*	C91-1654-05	CERAMIC CAPACITOR		X1E1
C8		*	C91-1676-05	CERAMIC CAPACITOR		KP1
C9		*	C90-5792-05	ALMINIUM ELECTROLYTIC C.		
C10		*	CQ93FMG1H101K	MYLAR 100PF K		
C11		*	CQ93FMG1H471J	MYLAR 470PF J		
C12		*	C90-5811-05	ALMINIUM ELECTROLYTIC C.		
C13		*	CQ93FMG1H102J	MYLAR 1000PF J		
C14		*	CQ93FMG1H471J	MYLAR 470PF J		
△ C15		*	C91-1638-05	CERAMIC 470PF 2KV		KP1
△ C15		*	C91-1663-05	CERAMIC CAPACITOR		X1E1
C16		*	C91-1657-05	POLYPROPYLEN FILM CAPACITOR		X1E1
C16		*	C91-1666-05	ELECTRO 4700UF 25WV		KP1
C17 ,18		*	C90-5794-05	ALMINIUM ELECTROLYTIC C.		
C19		*	CQ93FMG1H221K	MYLAR 220PF K		
C20		*	CC73GSL1H102J	CHIP C 1000PF J		

L : Scandinavia K : USA P : Canada R : Mexico C : China I : Malaysia
Y : PX(Far East,Hawaii) T : England E : Europe G : Germany V : China(Shanghai)
Y : AAFES(Europe) X : Australia Q : Russia H : Korea M : Other Areas △ indicates safety critical components .

* New Parts

Parts without **Parts No.** are not supplied.
 Les articles non mentionnés dans le **Parts No.** ne sont pas fournis.
 Teile ohne **Parts No.** werden nicht geliefert.



Ref. No	Add-ress	New Parts	Parts No.	Description	Desti-nation	Re-marks
C21			CK73GF1H104Z	CHIP C 0.10UF Z		
C22			CE04KW1H220M	ELECTRO 22UF 50WV		
C23 ,24		*	C90-5796-05	ALMINIUM ELECTROLYTIC C.		
C25		*	C90-5797-05	ALMINIUM ELECTROLYTIC C.		
C26			CQ93FMG1H221K	MYLAR 220PF K		
C27		*	C90-5795-05	ALMINIUM ELECTROLYTIC C.		
C28		*	C90-5798-05	ALMINIUM ELECTROLYTIC C.		
C29		*	C90-5799-05	ALMINIUM ELECTROLYTIC C.		
C30		*	C90-5803-05	ALMINIUM ELECTROLYTIC C.		
Δ C33			C91-1565-05	CERAMIC 1000PF 250VAC	X1E1	
Δ C33		*	C91-1637-05	CERAMIC 2200PF 250VAC	KP1	
C34		*	C90-5803-05	ALMINIUM ELECTROLYTIC C.		
C37			CK73GB1C224K	CHIP C 0.22UF K		
C38			CC73GCH1H100D	CHIP C 10PF D		
C39			CC73GSL1H102J	CHIP C 1000PF J		
C40			CK73GB1C224K	CHIP C 0.22UF K		
C41			CK73GF1H104Z	CHIP C 0.10UF Z		
Δ C42 -44		*	C91-1669-05	CERAMIC CAPACITOR	KP1	
Δ C42 ,43		*	C91-1565-05	CERAMIC 1000PF 250VAC	X1E1	
Δ C44		*	C91-1668-05	CERAMIC CAPACITOR	X1E1	
C45		*	CK73GB1C104K	CHIP C 0.10UF K		
C46		*	C91-1585-05	METALIZED FILM CAPACITOR	KP1	
C102			CC73GCH1H221J	CHIP C 220PF J		
C103			CE04CW0J220M	ELECTRO 22UF 6.3WV		
C127			CE04KW1H100M	ELECTRO 10UF 50WV		
C131,132			CC73GCH1H221J	CHIP C 220PF J		
C150			CE04KW1A101M	ELECTRO 100UF 10WV		
C167-169			CC73GCH1H100D	CHIP C 10PF D	KP1	
C174			CC73GCH1H100D	CHIP C 10PF D	X1E1	
C183,184			CC73GCH1H100D	CHIP C 10PF D	X1E1	
C185			CE04CW1H330M	ELECTRO 33UF 50WV		
C186-188			CC73GCH1H220J	CHIP C 22PF J		
C189-200			CC73GCH1H101J	CHIP C 100PF J		
C217			CC73GSL1H102J	CHIP C 1000PF J		
C231-242			CC73GSL1H102J	CHIP C 1000PF J	X1E1	
C245-256			CK73GSL1H102J	CHIP C 1000PF J	KP1	
C302			CK73FF1C105Z	CHIP C 1.0UF Z		
C303-308			CC73GCH1H101J	CHIP C 100PF J		
C309,310			CK73GB1H103K	CHIP C 0.010UF K		
C311,312			CC73GCH1H221J	CHIP C 220PF J		
C313-315			CK73GB1H103K	CHIP C 0.010UF K		
CN1		*	E41-0969-05	PIN ASSY		
CN2		*	E41-0929-05	PIN ASSY		
CN3		*	E41-1011-05	PIN ASSY		
CN101		*	E40-8903-05	FLAT CABLE CONNECTOR		
CN105		*	E41-0932-05	PIN ASSY		
CN106			E41-0929-05	PIN ASSY		
CN301			E40-9820-05	SOCKET FOR PIN ASSY		
CN302			E40-9837-05	PIN ASSY		
CN304			E41-0928-05	PIN ASSY		
CN305			E41-0944-05	PIN ASSY		
CN306		*	E41-0945-05	PIN ASSY		
E101		*	E29-1706-04	LEAD PLATE	X1E1	
E102,103		*	E29-1708-04	LEAD PLATE	KP1	

L : Scandinavia K : USA P : Canada R : Mexico C : China I : Malaysia
 Y : PX(Far East,Hawaii) T : England E : Europe G : Germany V : China(Shanghai)
 Y : AAFES(Europe) X : Australia Q : Russia H : Korea M : Other Areas Δ indicates safety critical components.

* New Parts

Parts without **Parts No.** are not supplied.
 Les articles non mentionnés dans le **Parts No.** ne sont pas fournis.
 Teile ohne **Parts No.** werden nicht geliefert.



Ref. No	Add-ress	New Parts	Parts No.	Description	Desti-nation	Re-marks
E301		*	E29-1707-04	LEAD PLATE		
J103		*	E58-0062-05	RECTANGULAR RECEPTACLE	X1E1	
J104		*	E70-0184-05	LOCK TERMINAL BOARD	X1E1	
J105		*	E70-0189-05	LOCK TERMINAL BOARD	KP1	
J106		*	E70-0190-05	LOCK TERMINAL BOARD	KP1	
J107		*	E70-0191-05	LOCK TERMINAL BOARD	KP1	
J301		*	E11-0946-05	PHONE JACK (MINI BLACK NI)		
J302,303		*	E63-1330-05	PIN JACK		
WH101		*	E35-3633-05	WIRING HARNESS		
WH103		*	E35-3597-05	WIRING HARNESS	KP1	
WH104		*	E35-3634-05	WIRING HARNESS	KP1	
WH105		*	E35-3598-05	WIRING HARNESS	X1E1	
WH106		*	E35-3597-05	WIRING HARNESS	X1E1	
WH301		*	E35-3606-05	WIRING HARNESS		
WH308		*	E35-3605-05	WIRING HARNESS		
WH313		*	E88-8004-04	FINISHED WIRE		
Δ F1		*	F50-0222-05	FUSE(5X20)	KP1	
Δ F1		*	F50-0247-05	FUSE(5X20)	X1E1	
CN7 ,8			J13-0075-05	FUSE CLIP		
Δ L1 ,2		*	L79-1298-05	LINE FILTER	X1E1	
Δ L1 ,2		*	L79-1300-05	LINE FILTER	KP1	
L3 ,4			L92-0017-05	FERRITE CORE		
L5 ,6		*	L33-1667-05	CHOKE COIL		
L7			L39-1373-05	PHASE COMPENSATION COIL		
L301-303			L92-0330-05	CHIP FERRITE		
L306-308			L92-0330-05	CHIP FERRITE		
Δ T1		*	L07-3276-05	POWER TRANSFORMER	KP1	
Δ T1		*	L07-3279-05	POWER TRANSFORMER	X1E1	
Δ T2		*	L07-3278-05	POWER TRANSFORMER	KP1	
Δ T2		*	L07-3282-05	POWER TRANSFORMER	X1E1	
X101			L78-0747-05	RESONATOR (4MHZ)		
R1		*	R92-4619-05	METAL OXIDE FILM RESISTOR	KP1	
R1		*	R92-4620-05	METAL OXIDE FILM RESISTOR	X1E1	
Δ R2		*	R92-1844-05	CARBON 3.3M J 1/2W	KP1	
R8		*	R92-4627-05	METAL PLATE RESISTOR	KP1	
R8 ,9		*	R92-4632-05	METAL PLATE RESISTOR	X1E1	
R9		*	R92-4628-05	METAL PLATE RESISTOR	KP1	
R10			RS14KB3A101J	FL-PROOF RS 100 J 1W		
R11		*	R92-4630-05	METAL OXIDE FILM RESISTOR	X1E1	
R11		*	R92-4635-05	METAL OXIDE FILM RESISTOR	KP1	
R12			RK73EB2E470J	CHIP R 47 J 1/4W		
R14		*	RS14KB3DR47J	FL-PROOF RS 0.47 J 2W	KP1	
R14		*	R92-4636-05	METAL OXIDE FILM RESISTOR	X1E1	
R15			RK73EB2E681J	CHIP R 680 J 1/4W		
R16		*	RK73EB2E332J	CHIP R 3.3K J 1/4W	KP1	
R16		*	RK73EB2E562J	CHIP R 5.6K J 1/4W	X1E1	
R17			RK73EB2E182J	CHIP R 1.8K J 1/4W		
R18			RK73EB2E152J	CHIP R 1.5K J 1/4W		
R18			RK73EB2E272J	CHIP R 2.7K J 1/4W	X1E1	
R21			RK73GB1J473J	CHIP R 47K J 1/16W		
R22 ,23			RK73GB1J272J	CHIP R 2.7K J 1/16W		
R24			RK73EB2E103J	CHIP R 10K J 1/4W		

L : Scandinavia K : USA P : Canada R : Mexico C : China I : Malaysia
 Y : PX(Far East,Hawaii) T : England E : Europe G : Germany V : China(Shanghai)
 Y : AAFES(Europe) X : Australia Q : Russia H : Korea M : Other Areas Δ indicates safety critical components.

PARTS LIST

VRS-7100

* New Parts

Parts without **Parts No.** are not supplied.Les articles non mentionnés dans le **Parts No.** ne sont pas fournis.Teile ohne **Parts No.** werden nicht geliefert.

15

Ref. No	Address	New Parts	Parts No.	Description	Destination	Remarks
R25			RK73GB1J332J	CHIP R 3.3K J 1/16W		
R26			RK73GB1J105J	CHIP R 1.0M J 1/16W		
R28 ,29			RK73EB2E102J	CHIP R 1.0K J 1/4W		
R30		*	RK73EB2E512J	CHIP R 5.1K J 1/4W		
R31			RK73EB2E102J	CHIP R 1.0K J 1/4W		
R32			RK73EB2E471J	CHIP R 470 J 1/4W		
R33		*	RK73EB2E822J	CHIP R 8.2K J 1/4W		
R34		*	RK73EB2E302J	CHIP R 3.0K J 1/4W		
R35			RK73EB2E102J	CHIP R 1.0K J 1/4W		
R36		*	RK73EB2E182J	CHIP R 1.8K J 1/4W		
R37			RK73GB1J332J	CHIP R 3.3K J 1/16W		
R38			RK73EB2E6R8J	CHIP R 6.8 J 1/4W		
R39		*	R92-4638-05	METAL OXIDE FILM RESISTOR		
R40			RK73EB2E271J	CHIP R 270 J 1/4W		
R41			RK73GB1J102J	CHIP R 1.0K J 1/16W		
R42			RK73GB1J103J	CHIP R 10K J 1/16W		
R110			RK73GB1J2R2J	CHIP R 2.2 J 1/16W		
R161-163			RK73GB1J101J	CHIP R 100 J 1/16W	KP1	
R171-174			RK73GB1J181J	CHIP R 180 J 1/16W		
R177-182			RK73GB1J101J	CHIP R 100 J 1/16W		
R183			RK73GB1J104J	CHIP R 100K J 1/16W		
R186-189			RK73GB1J100J	CHIP R 10 J 1/16W		
R206-210			RK73GB1J100J	CHIP R 10 J 1/16W		
R220			RK73GB1J473J	CHIP R 47K J 1/16W		
R221			RK73GB1J101J	CHIP R 100 J 1/16W	X1E1	
R225,226			RK73GB1J101J	CHIP R 100 J 1/16W	X1E1	
R227-232			RK73GB1J473J	CHIP R 47K J 1/16W		
R233-239			RK73GB1J471J	CHIP R 470 J 1/16W		
R240-251			RK73GB1J473J	CHIP R 47K J 1/16W		
R252-254			RK73GB1J102J	CHIP R 1.0K J 1/16W		
R255-257			RK73GB1J103J	CHIP R 10K J 1/16W		
R258			RK73GB1J473J	CHIP R 47K J 1/16W		
R261-272			RK73GB1J473J	CHIP R 47K J 1/16W		
R301,302			RK73GB1J104J	CHIP R 100K J 1/16W		
R303,304			RK73GB1J750J	CHIP R 75 J 1/16W		
R305,306			RK73GB1J104J	CHIP R 100K J 1/16W		
R307			RK73GB1J4R7J	CHIP R 4.7 J 1/16W		
R308			RK73GB1J470J	CHIP R 47 J 1/16W		
R309,310			RK73GB1J100J	CHIP R 10 J 1/16W		
R311-315			RK73GB1J101J	CHIP R 100 J 1/16W		
Δ K1			S76-0102-05	MAGNETIC RELAY		
S101-104			S70-0086-05	TACT SWITCH		
S105		*	S70-0106-05	TACT SWITCH		
S107-113			S70-0086-05	TACT SWITCH		
Δ PH1 ,2		*	T95-0193-05	OPTO ISOLATOR		
S106			T99-0667-05	ROTARY ENCODER		
Δ D1		*	RBV-604NF	DIODE	KP1	
Δ D1		*	RBV-606NF	DIODE	X1E1	
Δ D2 ,3		*	AM01ANF	DIODE		
D4		*	SARS03NF	DIODE		
D5			MTZJ20(B)	ZENER DIODE		
D5			RD20ES(B)	ZENER DIODE		
D6 ,7		*	AL01ZNF	DIODE		
D8			MTZJ20(B)	ZENER DIODE		

L : Scandinavia K : USA P : Canada R : Mexico C : China I : Malaysia
 Y : PX(Far East,Hawaii) T : England E : Europe G : Germany V : China(Shanghai)
 Y : AAFES(Europe) X : Australia Q : Russia H : Korea M : Other Areas Δ indicates safety critical components.

* New Parts

Parts without **Parts No.** are not supplied.Les articles non mentionnés dans le **Parts No.** ne sont pas fournis.Teile ohne **Parts No.** werden nicht geliefert.

16

Ref. No	Address	New Parts	Parts No.	Description	Destination	Remarks
D8			RD20ES(B)	ZENER DIODE		
D9 ,10		*	AL01ZNF	DIODE		
D11 ,12		*	AK03NF	DIODE		
D13 -16		*	AL01ZNF	DIODE		
D17		*	FML-22SNF	DIODE		
D18		*	AL01ZNF	DIODE		
D19		*	FMB-G16LNF	DIODE		
D20 ,21		*	S5688B(TP5)	DIODE		
D22		*	HZU6.8(B2)	ZENER DIODE		
D22			UDZS6.8B	ZENER DIODE		
D23 ,24		*	RK33NF	DIODE		
D25		*	EK16NF	DIODE		
D26		*	EK03NF	DIODE		
D27			HSS104A	DIODE		
D27			1SS133	DIODE		
Δ D28		*	ERZV10D511CS	VARISTOR		
D29		*	SARS03NF	DIODE	X1E1	
D40		*	SARS03NF	DIODE	X1E1	
D41 ,42		*	FML-22SNF	DIODE		
D101		*	MTZJ2.7(B)	ZENER DIODE		
D101			RD2.7ES(B)	ZENER DIODE		
D115-121			MA111	DIODE		
D301-308			MA111	DIODE		
ED101		*	HNA-12MM47T	FLUORESCENT INDICATOR TUBE		
IC1		*	STR-F6629BNF	HYBRID IC	KP1	
IC1		*	STR-F6668MNF	HYBRID IC	X1E1	
IC2		*	STR-L451NF	HYBRID IC	KP1	
IC2		*	STR-L472NF	HYBRID IC	X1E1	
IC3		*	SE-B2NF	HYBRID IC		
IC4			BA10358F	ANALOGUE IC		
IC5		*	SE-B2NF	HYBRID IC		
IC6 ,7		*	BD9701T-V5	ANALOGUE IC		
IC101			MN12510F	MOS-IC		
Q1			2SC1740S(Q,R)	TRANSISTOR		
Q1			2SC2785(F,E)	TRANSISTOR		
Q2		*	2SC3852ANF	TRANSISTOR		
Q3 -5			2SC4081(R,S)	TRANSISTOR		
Q3 -5			2SD1819A(Q,R)	TRANSISTOR		
Q103-106			DTC124EUA	DIGITAL TRANSISTOR		
Q103-106			KRC403	DIGITAL TRANSISTOR		
Q103-106			UN5212	DIGITAL TRANSISTOR		
Q108			DTC124EUA	DIGITAL TRANSISTOR		
Q108			KRC403	DIGITAL TRANSISTOR		
Q108			UN5212	DIGITAL TRANSISTOR		
Q109-111			2SC4081(R,S)	TRANSISTOR		
Δ Q109-111		*	2SD1819A(Q,R)	TRANSISTOR		
TH1		*	NTPAJ100LDKB0	THERMISTOR		
A101		*	W02-4515-05	ELECTRIC CIRCUIT MODULE		
A301		*	W02-4523-05	OPTIC RECEIVING MODULE		
C1 ,2			CC73GCH1H220J	CHIP C 22PF J		
C3 ,4			CE04KW1A101M	ELECTRO 100UF 10WV		
C5 ,6			CK73GB1H472K	CHIP C 4700PF K		
C7 -19			CC73GCH1H221J	CHIP C 220PF J		

L : Scandinavia K : USA P : Canada R : Mexico C : China I : Malaysia
 Y : PX(Far East,Hawaii) T : England E : Europe G : Germany V : China(Shanghai)
 Y : AAFES(Europe) X : Australia Q : Russia H : Korea M : Other Areas Δ indicates safety critical components.

* New Parts

Parts without **Parts No.** are not supplied.

Les articles non mentionnés dans le **Parts No.** ne sont pas fournis.

Teile ohne **Parts No.** werden nicht geliefert.

17

Ref. No	Add-ress	New Parts	Parts No.	Description	Desti-nation	Re-marks
C20 -27			CC73GCH1H101J	CHIP C 100PF J		
C28 ,29			CE04KW1E101M	ELECTRO 100UF 25WV		
C30			CE04HW1E100M	NP-ELEC 10UF 25WV		
C31 ,32			CC73GCH1H100D	CHIP C 10PF D		
C33 ,34			CE04KW1H2R2M	ELECTRO 2.2UF 50WV		
C35			CE04KW1H220M	ELECTRO 22UF 50WV		
C36			CC73GCH1H471J	CHIP C 470PF J		
C37 ,38			CE04KW1E470M	ELECTRO 47UF 25WV		
C39			CE04KW1E471M	ELECTRO 470UF 25WV		
C40 ,41			CE04KW1H100M	ELECTRO 10UF 50WV		
C42			CE04KW1E101M	ELECTRO 100UF 25WV		
C43 ,44			CC73GCH1H100D	CHIP C 10PF D		
C45			CK73GB1H392K	CHIP C 3900PF K		
C46			CC73GCH1H471J	CHIP C 470PF J		
C47			CE04KW1H100M	ELECTRO 10UF 50WV		
C48 ,49			CC73GSL1H102J	CHIP C 1000PF J		
C50 -52			CE04KW1E470M	ELECTRO 47UF 25WV		
C53 ,54			CE04KW1H010M	ELECTRO 1.0UF 50WV		
C55			CE04KW1H100M	ELECTRO 10UF 50WV		
C56 -58			CE04KW1H4R7M	ELECTRO 4.7UF 50WV		
C59			CE04HW1E100M	NP-ELEC 10UF 25WV		
C60			CC73GSL1H471J	CHIP C 470PF J		
C61			CC73GCH1H101J	CHIP C 100PF J		
C62 ,63			CE04KW1A101M	ELECTRO 100UF 10WV		
C64 ,65			CE04KW1H2R2M	ELECTRO 2.2UF 50WV		
C66			CC73GSL1H471J	CHIP C 470PF J		
C67 ,68			CE04KW1H220M	ELECTRO 22UF 50WV		
C69 ,70			CC73GCH1H471J	CHIP C 470PF J		
C71 ,72			CK73GF1E104Z	CHIP C 0.10UF Z		
C73			CE04KW1H0R1M	ELECTRO 0.1UF 50WV		
C74 ,75			CE04KW1H4R7M	ELECTRO 4.7UF 50WV		
C77 ,78			CE04KW1E221M	ELECTRO 220UF 25WV		
C79			CC73GCH1H471J	CHIP C 470PF J		
C80			CE04KW1H100M	ELECTRO 10UF 50WV		
C81 -85			CC73GCH1H220J	CHIP C 22PF J		
C86 ,87			CC73GCH1H470J	CHIP C 47PF J		
C88 -91			CC73GCH1H220J	CHIP C 22PF J		
C94 ,95			CE04KW1H4R7M	ELECTRO 4.7UF 50WV		
C103			CE04KW1E102M	ELECTRO 1000UF 25WV		
C104			CE04KW1H100M	ELECTRO 10UF 50WV		
C301-303			CC73GCH1H100D	CHIP C 10PF D	KP1	
C304			CC73GCH1H101J	CHIP C 100PF J		
C305-307			CC73GCH1H470J	CHIP C 47PF J		
C308			CC73GCH1H101J	CHIP C 100PF J		
C309-314			CC73GCH1H470J	CHIP C 47PF J	X1E1	
C315-320			CC73GCH1H100D	CHIP C 10PF D	KP1	
C321-326			CE04KW1V330M	ELECTRO 33UF 35WV	KP1	
C327			CE04KW1E470M	ELECTRO 47UF 25WV	X1E1	
C328			CK73GF1E104Z	CHIP C 0.10UF Z	X1E1	
C329			CE04KW1E470M	ELECTRO 47UF 25WV	X1E1	
C330			CK73GF1E104Z	CHIP C 0.10UF Z	X1E1	
C331-333			CE04KW1E470M	ELECTRO 47UF 25WV		
C334			CK73GB1H103K	CHIP C 0.010UF K	KP1	
C337			CE04KW1A471M	ELECTRO 470UF 10WV	KP1	
C338			CE04KW1H100M	ELECTRO 10UF 50WV	KP1	

L : Scandinavia K : USA P : Canada R : Mexico C : China I : Malaysia
 Y : PX(Far East,Hawaii) T : England E : Europe G : Germany V : China(Shanghai)
 Y : AAFES(Europe) X : Australia Q : Russia H : Korea M : Other Areas Δ indicates safety critical components .

* New Parts

Parts without **Parts No.** are not supplied.

Les articles non mentionnés dans le **Parts No.** ne sont pas fournis.

Teile ohne **Parts No.** werden nicht geliefert.

18

Ref. No	Add-ress	New Parts	Parts No.	Description	Desti-nation	Re-marks
C339,340			CE04KW1A471M	ELECTRO 470UF 10WV		KP1
C341-344			CK73GB1H103K	CHIP C 0.010UF K		KP1
C345			CK73GB1H103K	CHIP C 0.010UF K		X1E1
C346-348			CK73GF1E104Z	CHIP C 0.10UF Z		KP1
C349-351			CK73GB1H103K	CHIP C 0.010UF K		X1E1
C349,350			CK73GB1H103K	CHIP C 0.010UF K		KP1
C355			CK73GB1H103K	CHIP C 0.010UF K		X1E1
C357			CE04KW1H100M	ELECTRO 10UF 50WV		
C358			CK73GF1E104Z	CHIP C 0.10UF Z		KP1
C360			CE04KW1E470M	ELECTRO 47UF 25WV		X1E1
C361			CK73GF1E104Z	CHIP C 0.10UF Z		X1E1
C362			CE04KW1E470M	ELECTRO 47UF 25WV		
C363			CK73GB1H103K	CHIP C 0.010UF K		X1E1
C365			CE04KW1H100M	ELECTRO 10UF 50WV		
C366			CE04KW1A101M	ELECTRO 100UF 10WV		
C369			CE04KW1H100M	ELECTRO 10UF 50WV		
C370			CK73GB1H103K	CHIP C 0.010UF K		KP1
C371 ,372			CE04KW1V330M	ELECTRO 33UF 35WV		KP1
C373			CK73GB1H103K	CHIP C 0.010UF K		KP1
C374			CE04KW1V330M	ELECTRO 33UF 35WV		KP1
C375-377			CK73GB1H103K	CHIP C 0.010UF K		KP1
C376,377			CK73GB1H103K	CHIP C 0.010UF K		X1E1
C378			CE04KW1H100M	ELECTRO 10UF 50WV		
C381-383			CC73GCH1H820J	CHIP C 82PF J		KP1
C392			CE04KW1E470M	ELECTRO 47UF 25WV		
C395			CE04KW1A101M	ELECTRO 100UF 10WV		
C396			CC73GCH1H020C	CHIP C 2.0PF C		KP1
C398			CC73GCH1H020C	CHIP C 2.0PF C		KP1
C411			CC73GCH1H471J	CHIP C 470PF J		X1E1
C413,414			CK73GB1H472K	CHIP C 4700PF K		
C615,616			CK73GB1H472K	CHIP C 4700PF K		
C618			CE04KW1H4R7M	ELECTRO 4.7UF 50WV		
C619			CK73GF1E104Z	CHIP C 0.10UF Z		
C800			CK73GB1H103K	CHIP C 0.010UF K		
C801			CK73GB1H182K	CHIP C 1800PF K		
C802			CC73GSL1H102J	CHIP C 1000PF J		
C803			CE04KW1H220M	ELECTRO 22UF 50WV		
C804			CK73GF1C224Z	CHIP C 0.22UF Z		
C805			CK73GB1H103K	CHIP C 0.010UF K		
CN1			E40-3250-05	PIN ASSY		
CN3			E40-3247-05	PIN ASSY		
CN5			E40-8603-05	FLAT CABLE CONNECTOR		
CN6			E40-8637-05	FLAT CABLE CONNECTOR		
CN7			E40-8904-05	FLAT CABLE CONNECTOR		
CN305			E40-4387-05	PIN ASSY		
CN306			E40-3260-05	PIN ASSY		
CN307			E40-4401-05	PIN ASSY		
CN309		*	E41-1031-05	FLAT CABLE CONNECTOR		
CN603			E40-4902-05	FLAT CABLE CONNECTOR		
J1		*	E63-1317-05	PIN JACK		
J2		*	E63-1338-05	PIN JACK		
J3		*	E63-1339-05	PIN JACK		
J4		*	E63-1294-05	PIN JACK		
J301		*	E63-1337-05	PIN JACK		

L : Scandinavia K : USA P : Canada R : Mexico C : China I : Malaysia
 Y : PX(Far East,Hawaii) T : England E : Europe G : Germany V : China(Shanghai)
 Y : AAFES(Europe) X : Australia Q : Russia H : Korea M : Other Areas Δ indicates safety critical components .

PARTS LIST

VRS-7100

* New Parts

Parts without **Parts No.** are not supplied.Les articles non mentionnés dans le **Parts No.** ne sont pas fournis.Teile ohne **Parts No.** werden nicht geliefert.

19

Ref. No	Add-ress	New Parts	Parts No.	Description	Desti-nation	Re-marks
J302			E63-1293-05	PIN JACK		
J303			E56-0049-05	CYLINDRICAL RECEPTACLE	X1E1	
J304			E63-1315-05	PIN JACK	KP1	
J305			E63-1316-05	PIN JACK	KP1	
L1 -4			L92-0510-05	CHIP FERRITE		
R1 ,2			RK73GB1J101J	CHIP R	100	J 1/16W
R3 ,4			RK73GB1J820J	CHIP R	82	J 1/16W
R7 ,8			RK73GB1J101J	CHIP R	100	J 1/16W
R9			RK73GB1J470J	CHIP R	47	J 1/16W
R10 ,11			RK73GB1J4R7J	CHIP R	4.7	J 1/16W
R12			RK73GB1J470J	CHIP R	47	J 1/16W
R13			RK73GB1J223J	CHIP R	22K	J 1/16W
R14 -23			RK73GB1J102J	CHIP R	1.0K	J 1/16W
R24			RD14NB2E561J	RD	560	J 1/4W
R25			RK73GB1J222J	CHIP R	2.2K	J 1/16W
R26			RD14NB2E470J	RD	47	J 1/4W
R27 -36			RK73GB1J224J	CHIP R	220K	J 1/16W
R37 -39			RK73GB1J470J	CHIP R	47	J 1/16W
R40 -42			RK73GB1J104J	CHIP R	100K	J 1/16W
R43 ,44			RK73GB1J103J	CHIP R	10K	J 1/16W
R45 ,46			RK73GB1J1R0J	CHIP R	1	J 1/16W
R47 ,48			RS14KB3D220J	FL-PROOF RS	22	J 2W
R49			RK73GB1J102J	CHIP R	1.0K	J 1/16W
R50 ,51			RK73GB1J471J	CHIP R	470	J 1/16W
R52			RK73GB1J102J	CHIP R	1.0K	J 1/16W
R53 -55			RK73GB1J473J	CHIP R	47K	J 1/16W
R56 ,57			RK73GB1J471J	CHIP R	470	J 1/16W
R58			RK73GB1J102J	CHIP R	1.0K	J 1/16W
R59 ,60			RK73GB1J123J	CHIP R	12K	J 1/16W
R61			RK73GB1J101J	CHIP R	100	J 1/16W
R62 ,63			RK73GB1J473J	CHIP R	47K	J 1/16W
R65 ,66			RK73GB1J100J	CHIP R	10	J 1/16W
R69 ,70			RK73GB1J101J	CHIP R	100	J 1/16W
R71 ,72			RK73GB1J104J	CHIP R	100K	J 1/16W
R73			RK73GB1J473J	CHIP R	47K	J 1/16W
R74			RK73GB1J101J	CHIP R	100	J 1/16W
R75 ,76			RK73GB1J473J	CHIP R	47K	J 1/16W
R77			RD14NB2E561J	RD	560	J 1/4W
R78 ,79			RK73GB1J101J	CHIP R	100	J 1/16W
R80			RK73GB1J103J	CHIP R	10K	J 1/16W
R81			RK73GB1J133J	CHIP R	13K	J 1/16W
R82 ,83			RK73GB1J102J	CHIP R	1.0K	J 1/16W
R84 ,85			RK73GB1J133J	CHIP R	13K	J 1/16W
R86			RK73GB1J103J	CHIP R	10K	J 1/16W
R87 ,88			RK73GB1J102J	CHIP R	1.0K	J 1/16W
R89 -91			RK73GB1J473J	CHIP R	47K	J 1/16W
R92			RK73GB1J104J	CHIP R	100K	J 1/16W
R93 -95			RK73GB1J473J	CHIP R	47K	J 1/16W
R96 ,97			RK73GB1J472J	CHIP R	4.7K	J 1/16W
R98			RK73GB1J101J	CHIP R	100	J 1/16W
R99 ,100			RD14NB2E221J	RD	220	J 1/4W
R101			RK73GB1J101J	CHIP R	100	J 1/16W
R102			RK73GB1J104J	CHIP R	100K	J 1/16W
R103			RK73GB1J101J	CHIP R	100	J 1/16W

L : Scandinavia K : USA P : Canada R : Mexico C : China I : Malaysia

Y : PX(Far East,Hawaii) T : England E : Europe G : Germany V : China(Shanghai)

Y : AAFES(Europe) X : Australia Q : Russia H : Korea M : Other Areas Δ indicates safety critical components.

* New Parts

Parts without **Parts No.** are not supplied.Les articles non mentionnés dans le **Parts No.** ne sont pas fournis.Teile ohne **Parts No.** werden nicht geliefert.

20

Ref. No	Add-ress	New Parts	Parts No.	Description	Desti-nation	Re-marks
R104			RK73GB1J102J	CHIP R	1.0K	J 1/16W
R107-109			RK73GB1J104J	CHIP R	100K	J 1/16W
R110			RK73GB1J102J	CHIP R	1.0K	J 1/16W
R111,112			RK73GB1J562J	CHIP R	5.6K	J 1/16W
R113			RK73GB1J100J	CHIP R	10	J 1/16W
R114			RK73GB1J101J	CHIP R	100	J 1/16W
R115			RK73GB1J100J	CHIP R	10	J 1/16W
R116			RK73GB1J101J	CHIP R	100	J 1/16W
R117,118			RK73GB1J272J	CHIP R	2.7K	J 1/16W
R119			RK73GB1J104J	CHIP R	100K	J 1/16W
R120-122			RK73GB1J101J	CHIP R	100	J 1/16W
R123,124			RK73GB1J104J	CHIP R	100K	J 1/16W
R125,126			RK73GB1J100J	CHIP R	10	J 1/16W
R127,128			RK73GB1J472J	CHIP R	4.7K	J 1/16W
Δ R129			RD14NB2E2R2J	RD	2.2	J 1/4W
Δ R130			RD14NB2E100J	RD	10	J 1/4W
R131			RK73GB1J4R7J	CHIP R	4.7	J 1/16W
R132,133			RK73GB1J100J	CHIP R	10	J 1/16W
R134,135			RK73GB1J220J	CHIP R	22	J 1/16W
R136,137			RK73GB1J104J	CHIP R	100K	J 1/16W
R139			RK73GB1J104J	CHIP R	100K	J 1/16W
R143,144			RK73GB1J473J	CHIP R	47K	J 1/16W
R147,148			RK73GB1J471J	CHIP R	470	J 1/16W
R301-304			RK73GB1J104J	CHIP R	100K	J 1/16W
R304			RK73GB1J104J	CHIP R	100K	J 1/16W
R305-307			RK73GB1J750J	CHIP R	75	J 1/16W
R308			RK73GB1J104J	CHIP R	100K	J 1/16W
R310			RK73GB1J104J	CHIP R	100K	J 1/16W
R312,313			RK73GB1J750J	CHIP R	75	J 1/16W
R315,316			RK73GB1J750J	CHIP R	75	J 1/16W
R317,318			RK73GB1J104J	CHIP R	100K	J 1/16W
R319-329			RK73GB1J750J	CHIP R	75	J 1/16W
R325,326			RK73GB1J750J	CHIP R	75	J 1/16W
R330,331			RK73GB1J750J	CHIP R	75	J 1/16W
R332			RK73GB1J105J	CHIP R	1.0M	J 1/16W
R333,334			RD14NB2E220J	RD	22	J 1/4W
R335			RK73GB1J105J	CHIP R	1.0M	J 1/16W
R338-340			RK73GB1J104J	CHIP R	100K	J 1/16W
R346			RD14NB2E101J	RD	100	J 1/4W
Δ R347			RS14KB3AR22J	FL-PROOF RS	0.22	J 1W
R348			RD14NB2E2R2J	RD	2.2	J 1/4W
R350			RD14NB2E220J	RD	22	J 1/4W
R351,352			RD14NB2E150J	RD	15	J 1/4W
R356			RK73GB1J102J	CHIP R	1.0K	J 1/16W
R357			RK73GB1J105J	CHIP R	1.0M	J 1/16W
R360			RK73GB1J101J	CHIP R	100	J 1/16W
R372			RK73GB1J105J	CHIP R	1.0M	J 1/16W
R388			RK73GB1J104J	CHIP R	100K	J 1/16W
R399-403			RK73GB1J101J	CHIP R	100	J 1/16W
R405			RK73GB1J101J	CHIP R	100	J 1/16W
R414			RK73GB1J101J	CHIP R	100	J 1/16W
R668-678			RK73GB1J101J	CHIP R	100	J 1/16W
R800			RK73GB1J1R0J	CHIP R	1	J 1/16W
R801			RK73GB1J562J	CHIP R	5.6K	J 1/16W
R802			RK73GB1J223J	CHIP R	22K	J 1/16W

L : Scandinavia K : USA P : Canada R : Mexico C : China I : Malaysia

Y : PX(Far East,Hawaii) T : England E : Europe G : Germany V : China(Shanghai)

Y : AAFES(Europe) X : Australia Q : Russia H : Korea M : Other Areas Δ indicates safety critical components.

* New Parts
 Parts without **Parts No.** are not supplied.
 Les articles non mentionnés dans le **Parts No.** ne sont pas fournis.
 Teile ohne **Parts No.** werden nicht geliefert.

21

Ref. No	Address	New Parts	Parts No.	Description	Destination	Remarks
R803,804			RK73GB1J103J	CHIP R 10K J 1/16W		
R805			RK73GB1J104J	CHIP R 100K J 1/16W		
R806			RK73GB1J101J	CHIP R 100 J 1/16W		
R807			RK73GB1J474J	CHIP R 470K J 1/16W		
R808			RK73GB1J103J	CHIP R 10K J 1/16W		
R809			RK73GB1J153J	CHIP R 15K J 1/16W		
R810			RK73GB1J103J	CHIP R 10K J 1/16W		
R811			RK73GB1J222J	CHIP R 2.2K J 1/16W		
K1			S76-0097-05	MAGNETIC RELAY		
D1			HSS104A	DIODE		
D1			1SS133	DIODE		
D2			MTZJ4.7(B)	ZENER DIODE		
D3			MTZJ3.9(B)	ZENER DIODE		
D3			RD3.9ES(B2)	ZENER DIODE		
D4 ,5		*	HZU6.8(B2)	ZENER DIODE		
D4 ,5			UDZS6.8B	ZENER DIODE		
D9			S5688B	DIODE		
D9			1SR139-400	DIODE		
D301			MTZJ5.6(B)	ZENER DIODE		
D301			RD5.6ES(B2)	ZENER DIODE		
D801			1SS302	DIODE		
IC1			NJM4580ED	ANALOGUE IC		
IC2		*	BD3841FS	ANALOGUE IC		
IC3 ,4			NJM4565M	ANALOGUE IC		
IC5		*	BD3812F	ANALOGUE IC		
IC6			NJU7311AM	MOS-IC		
IC7			NJM4580ED	ANALOGUE IC		
IC8	Δ		KIA7812API	ANALOGUE IC		
IC9	Δ		KIA7912PI	ANALOGUE IC		
IC301		*	NJM2584M	ANALOGUE IC	KP1	
IC302		*	NJM2595M	ANALOGUE IC		
IC303,304			NJM2279M	ANALOGUE IC	X1E1	
IC305		*	NJM2580M	ANALOGUE IC	KP1	
IC311	Δ		BA05FP	ANALOGUE IC		
IC801			NJM4565M	ANALOGUE IC		
Q1			KTC3199(Y,GR)	TRANSISTOR		
Q1			2SC1740S(Q,R)	TRANSISTOR		
Q1			2SC2785(F,E)	TRANSISTOR		
Q2			2SA992(F,E)	TRANSISTOR		
Q3 -7			2SC4213(B)	TRANSISTOR		
Q8			2SA992(F,E)	TRANSISTOR		
Q9 ,10			2SC4213(B)	TRANSISTOR		
Q309	Δ		2SB1640	TRANSISTOR		
Q801			2SC4081(R,S)	TRANSISTOR		
Q801			2SD1819A(Q,R)	TRANSISTOR		
A1 ,2		*	W02-4524-05	OPTIC RECEIVING MODULE		

PARTS LIST

VRS-7100

L : Scandinavia K : USA P : Canada R : Mexico C : China I : Malaysia
 Y : FX(Far East,Hawaii) T : England E : Europe G : Germany V : China(Shanghai)
 Y : AAFES(Europe) X : Australia Q : Russia H : Korea M : Other Areas Δ indicates safety critical components .

SPECIFICATIONS

For Europe

AUDIO section

Rated power output during STEREO operation	100 W + 100 W
.....	DIN/IEC (20 Hz ~ 20 kHz, 0.7% T.H.D. at 6 Ω)
Effective power output during STEREO operation	130 W + 130 W
.....	(1 kHz, 10% T.H.D. at 6 Ω)
Effective power output during SURROUND operation	
FRONT	100 W + 100 W
.....	(1 kHz, 0.5% T.H.D. at 6 Ω one channel driven)
.....	130 W + 130 W
.....	(1 kHz, 10% T.H.D. at 6 Ω one channel driven)
CENTER	100 W
.....	(1 kHz, 0.5% T.H.D. at 6 Ω one channel driven)
.....	130 W
.....	(1 kHz, 10% T.H.D. at 6 Ω one channel driven)
SURROUND	100 W + 100 W
.....	(1 kHz, 0.5% T.H.D. at 6 Ω one channel driven)
.....	130 W + 130 W
.....	(1 kHz, 10% T.H.D. at 6 Ω one channel driven)
SURROUND BACK/SUBWOOFER	100 W
.....	(1 kHz, 0.5% T.H.D. at 6 Ω one channel driven)
.....	130 W
.....	(1 kHz, 10% T.H.D. at 6 Ω one channel driven)
Total harmonic distortion	0.09% (1 kHz, 50 W, 6 Ω)
Frequency response	
DIGITAL IN (DVD, VIDEO 1, VIDEO 2, AUX, GAME)	
.....	10 Hz ~ 44 kHz, Sampling frequency 96kHz, +0 dB ~ -3.0 dB
Signal to noise ratio	
DIGITAL IN (DVD, VIDEO 1, VIDEO 2, AUX, GAME)	
.....	96 dB
Input sensitivity / impedance	
LINE (DVD, VIDEO 1, VIDEO 2, AUX, FRONT AUX, GAME)	
.....	400 mV / 47 kΩ
Output level / impedance	
REC OUT	400 mV / 1 kΩ
PRE OUT (SURROUND BACK).....	1 V / 1 kΩ
PRE OUT (SUBWOOFER).....	1 V / 1 kΩ
Tone control	
BASS.....	±10 dB (at 100 Hz)
TREBLE.....	±10 dB (at 10 kHz)

DIGITAL AUDIO section

Sampling frequency	
.....	32 kHz, 44.1 kHz, 48 kHz, 88.2 kHz, 96 kHz
Input level / impedance / wave length	
Optical (VIDEO 1, AUX, GAME)	
.....	(-15 dBm ~ -24 dBm), 660 nm ±30 nm
Coaxial (DVD, VIDEO 2)	0.5 Vp-p / 75 Ω

VIDEO section

Input sensitivity / impedance	
Composite (DVD, VIDEO 1, VIDEO 2, FRONT AUX, GAME)	
.....	1 Vp-p / 75 Ω
S VIDEO (DVD, VIDEO 2)	
Luminance signal	1 Vp-p / 75 Ω
Chrominance signal	0.286 Vp-p / 75 Ω
Output level / impedance	
Composite (VIDEO 1, MONITOR OUT)	
.....	1 Vp-p / 75 Ω
S VIDEO (MONITOR OUT)	
Luminance signal	1 Vp-p / 75 Ω
Chrominance signal	0.286 Vp-p / 75 Ω

FM tuner section

Tuning frequency range	87.5 MHz ~ 108 MHz
Usable sensitivity (DIN at 75 Ω)	
MONO.....	1.3 μV/ 13.2 dBf (40 kHz dev, S/N 26 dB)
STEREO	45 μV/ 42.1 dBf (40 + 6 kHz dev, S/N 46 dB)
Total harmonic distortion (DIN at 1 kHz)	
MONO.....	0.2% (71.2 dBf input)
STEREO	0.8% (71.2 dBf input)
Signal to noise ratio (DIN weighted at 1 kHz)	
MONO	65 dB (71.2 dBf input)
STEREO	60 dB (71.2 dBf input)
Selectivity (DIN ±300 kHz)	64 dB
Stereo separation (1 kHz)	36 dB
Frequency response (30 Hz ~ 15kHz)	+0.5 dB, -3.0 dB

AM tuner section

Tuning frequency range.....	531 kHz ~ 1,602 kHz
Usable sensitivity (30% mod, S/N 20 dB)	
.....	16 μV / (600 μV/m)
Signal to noise ratio (30% mod, 400 Hz)	
.....	50 dB (60 dBμ V EMF input)

GENERAL

Power consumption	85 W
Dimensions.....	W : 440mm (17-5/16")
	H : 079 mm (3-1/8")
	D : 364mm (14-5/16")
Weight (Net)	4.4 kg (9.7 lb)

Notes

1. KENWOOD follows a policy of continuous advancements in development. For this reason specifications may be changed without notice.
2. The full performance may not be exhibited in an extremely cold location (under a water-freezing temperature).

VRS-7100

SPECIFICATIONS

For U.S.A., Canada and Australia

AUDIO section

For U.S.A., and Canada

Rated power output during STEREO operation

70 watts per channel minimum RMS, both channels driven, at 8 Ω from 20 Hz to 20 kHz with no more than 0.7% total harmonic distortion. (FTC)

100 watts per channel minimum RMS, both channels driven, at 6 Ω from 20 Hz to 20 kHz with no more than 0.7% total harmonic distortion.

Effective power output during STEREO operation

.....130 W + 130 W
(1 kHz, 10% T.H.D. at 6 Ω)

For Australia

Rated power output during STEREO operation

70 watts per channel minimum RMS, both channels driven, at 8 Ω from 20 Hz to 20 kHz with no more than 0.7% total harmonic distortion. (FTC)

Rated power output during STEREO operation

.....100 W + 100 W
DIN/IEC (20 Hz ~ 20 kHz, 0.7% T.H.D. at 6 Ω)

Effective power output during STEREO operation

.....130 W + 130 W
(1 kHz, 10% T.H.D. at 6 Ω)

Effective power output during SURROUND operation

FRONT100 W + 100 W
(1 kHz, 0.5% T.H.D. at 6 Ω one channel driven)
130 W + 130 W
(1 kHz, 10% T.H.D. at 6 Ω one channel driven)

CENTER100 W
(1 kHz, 0.5% T.H.D. at 6 Ω one channel driven)
130 W
(1 kHz, 10% T.H.D. at 6 Ω one channel driven)

SURROUND100 W + 100 W
(1 kHz, 0.5% T.H.D. at 6 Ω one channel driven)
130 W + 130 W
(1 kHz, 10% T.H.D. at 6 Ω one channel driven)

SURROUND BACK/SUBWOOFER100 W
(1 kHz, 0.5% T.H.D. at 6 Ω one channel driven)
130 W
(1 kHz, 10% T.H.D. at 6 Ω one channel driven)

Total harmonic distortion0.09% (1 kHz, 50 W, 6 Ω)

Frequency response

DIGITAL IN (DVD, VIDEO 1, VIDEO 2, AUX, GAME)
.....10 Hz ~ 44 kHz, Sampling frequency 96kHz, +0 dB ~ -3.0 dB

Signal to noise ratio

DIGITAL IN (DVD, VIDEO 1, VIDEO 2, AUX, GAME)96 dB

Input sensitivity / impedance

LINE (DVD, VIDEO 1, VIDEO 2, AUX, FRONT AUX, GAME)
.....400 mV / 47 k Ω

Output level / impedance

REC OUT400 mV / 1 k Ω
PRE OUT (SURROUND BACK)1 V / 1 k Ω
PRE OUT (SUBWOOFER)1 V / 1 k Ω

Tone control

BASS ± 10 dB (at 100 Hz)
TREBLE ± 10 dB (at 10 kHz)

DIGITAL AUDIO section

Sampling frequency

.....32 kHz, 44.1 kHz, 48 kHz, 88.2 kHz, 96 kHz

Input level / impedance / wave length

Optical (VIDEO 1, AUX, GAME)

.....(-15 dBm ~ -24 dBm), 660 nm ± 30 nm

Coaxial (DVD, VIDEO 2)0.5 Vp-p / 75 Ω

VIDEO section

Input sensitivity / impedance

Composite (DVD, VIDEO 1, VIDEO 2, FRONT AUX, GAME)

.....1 Vp-p / 75 Ω

S VIDEO (DVD, VIDEO 2) (For Australia)

Luminance signal1 Vp-p / 75 Ω

Chrominance signal0.286 Vp-p / 75 Ω

COMPONENT VIDEO (DVD, VIDEO 2) (For U.S.A. and Canada)

Luminance signal1 Vp-p / 75 Ω

CB/CR-signal ± 0.32 Vp-p / 75 Ω

Output level / impedance

Composite (VIDEO 1, MONITOR OUT)1 Vp-p / 75 Ω

S VIDEO (MONITOR OUT) (For Australia)

Luminance signal1 Vp-p / 75 Ω

Chrominance signal0.286 Vp-p / 75 Ω

COMPONENT VIDEO (MONITOR OUT) (For U.S.A. and Canada)

Luminance signal1 Vp-p / 75 Ω

CB/CR-signal ± 0.32 Vp-p / 75 Ω

FM tuner section

Tuning frequency range87.5 MHz ~ 108 MHz

Usable sensitivity (MONO)

.....1.3 μ V (75 Ω) / 13.2 dBf (75 kHz dev, SINAD 30 dB)

50 dB quieting sensitivity

STEREO28 μ V (75 Ω) / 40.2 dBf (75 kHz dev)

Total harmonic distortion (1 kHz)

MONO0.5% (71.2 dBf input)

STEREO0.7% (71.2 dBf input)

Signal to noise ratio (1 kHz)

MONO75 dB (71.2 dBf input)

STEREO68 dB (71.2 dBf input)

Selectivity (± 400 kHz)70 dB

Stereo separation (1 kHz)40 dB

Frequency response (30 Hz ~ 15kHz)+0.5 dB, -3.0 dB

AM tuner section

Tuning frequency range

For U.S.A., and Canada530 kHz ~ 1,700 kHz

For Australia531 kHz ~ 1,602 kHz

Usable sensitivity (30% mod, S/N 20 dB)

.....16 μ V / (600 μ V/m)

Signal to noise ratio (30% mod, 400 Hz)

.....50 dB (60 dB μ V EMF input)

GENERAL

Power consumption85 W

DimensionsW : 440 mm (17-5/16")

H : 079 mm (3-1/8")

D : 364 mm (14-5/16")

Weight (Net)4.4 kg (9.7 lb)

Notes

1. KENWOOD follows a policy of continuous advancements in development. For this reason specifications may be changed without notice.
2. The full performance may not be exhibited in an extremely cold location (under a water-freezing temperature).