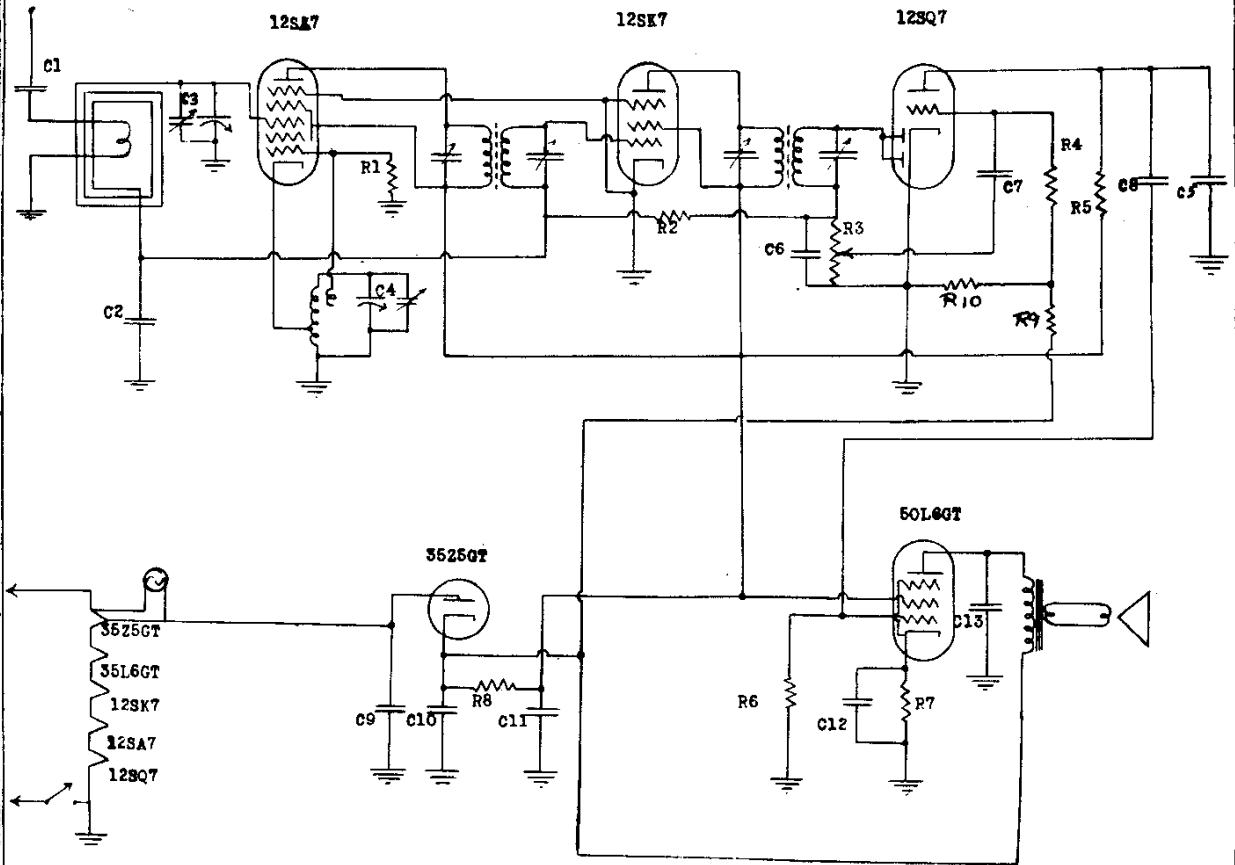


KERNWOOD RADIO CORP.



*Voltage analysis

	Filament	Plate	Screen	Cathode
35Z5	35.0	117A.C.		122
50L6	50.0	117	90	7.5
12SQ7	12.6	55		0
12SK7	12.6	90	90	0
12SA7	12.6	90	90	0

Parts List

- C1 --- .001 mfd 600 volt paper condenser
- C2 --- .05 mfd 400 volt paper condenser
- C3 --- Tuning condenser - antenna section
- C4 --- " " - oscillator section
- C5 --- 100 muf Mica condenser
- C6 --- " " " "
- C7 --- .006 mfd 400 volt paper condenser
- C8 --- .01 mfd 600 volt paper condenser
- C9 --- .05 mfd 400 " " " "
- C10 --- 40 mfd 150 volt electrolytic condenser
- C11 --- 20 mfd " " " " " "
- C12 --- 10 mfd 35 " " " " " "
- C13 --- .02 mfd 400 " paper condenser
- R1 --- 22M ohm 1/4 watt carbon resistor
- R2 --- 2.2 megohm 1/4 watt carbon resistor
- R3 --- .5 " volume control
- R4 --- 10 megohm 1/4 watt carbon resistor
- R5 --- 220M ohm 1/4 watt carbon resistor
- R6 --- 470M " " " " " "
- R7 --- 150 " " " " " "
- R8 --- 2200 " " " " " "
- R9 --- 2.2 megohm 1/4 watt carbon resistor
- R10 --- 65M ohm " " " " " "

Power Supply
110-125 volts A.C. or D.C.

Power Consumption
30 watts

Frequency Range
540-1700 K.C.

*All measurements except
A.C. voltages made with
V.T.V.M.

IF PEAK 456 KC