

X92-4030-0x

X92-4440-0x

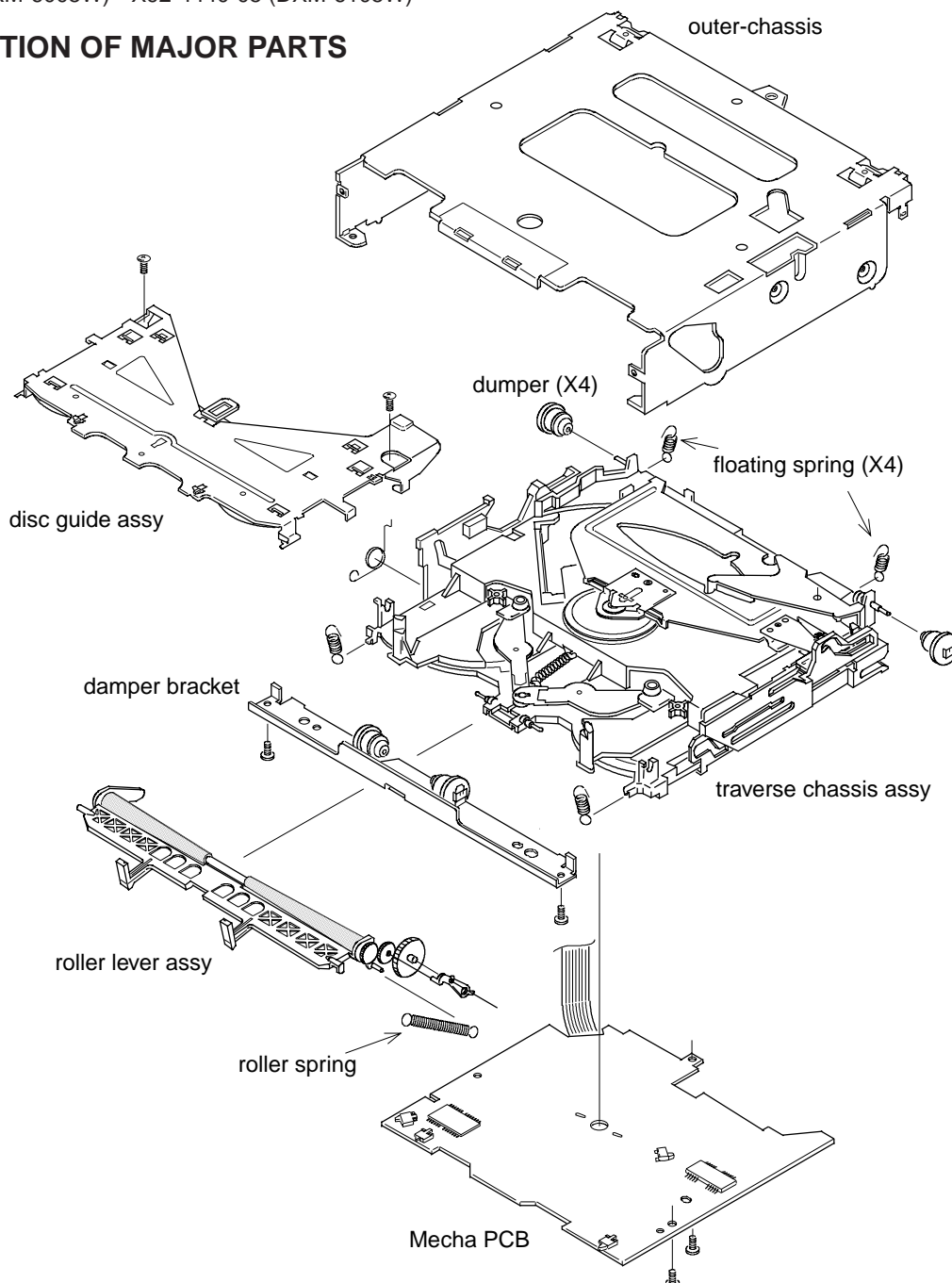
SERVICE MANUAL

© 2001-12 PRINTED IN JAPAN
B51-7867-00 (N) 3417

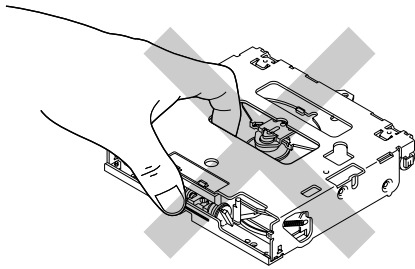
DESCRIPTION MECHANISM

X92-4030-00 (DXM-6000W)	X92-4440-00 (DXM-6100W)
X92-4030-01 (DXM-6001W)	X92-4440-01 (DXM-6101W)
X92-4030-02 (DXM-6002W)	X92-4440-02 (DXM-6102W)
X92-4030-03 (DXM-6003W)	X92-4440-03 (DXM-6103W)
X92-4030-04 (DXM-6004W)	X92-4440-04 (DXM-6104W)
X92-4030-05 (DXM-6005W)	X92-4440-05 (DXM-6105W)

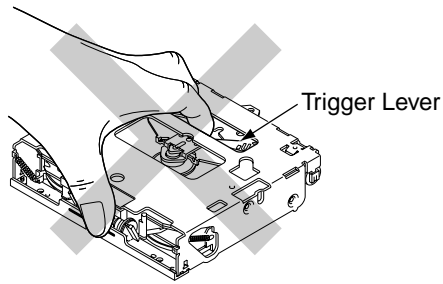
CONSTRUCTION OF MAJOR PARTS



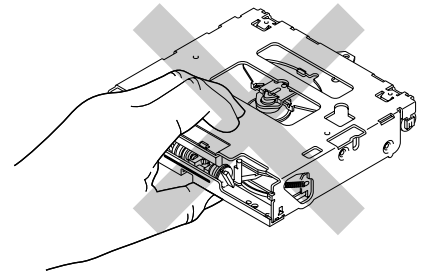
NOTE FOR HANDLING MECHANISM ASSY



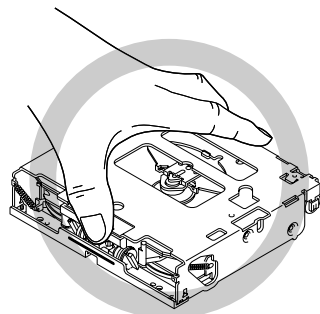
NG Pick is under the finger, it may touch.



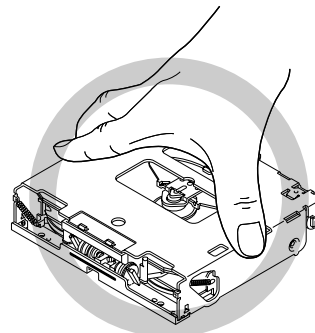
NG Don't touch the lever because the trigger lever comes off.



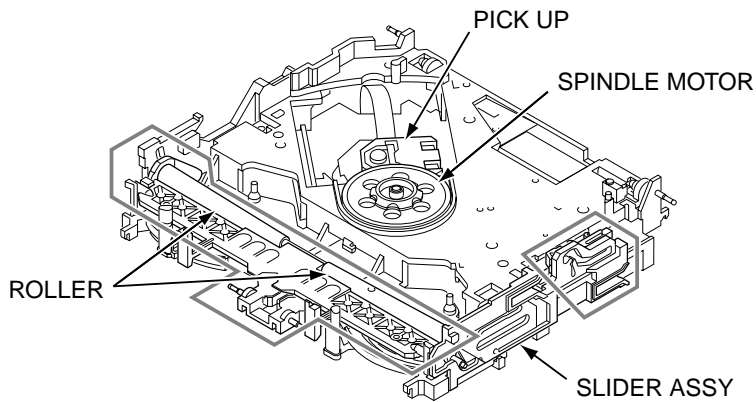
NG Don't have the center of entrance because the disc insertion mouth is transformed.



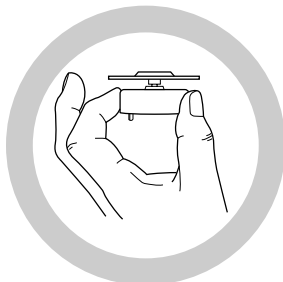
OK



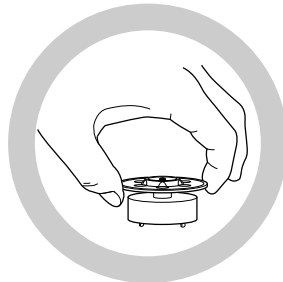
OK



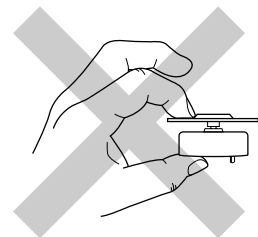
- Don't touch in the frame, since grease is applied to the parts.
- Don't applied grease to the roller.
- Don't touched PICK and SPINDLE MOTOR.



OK

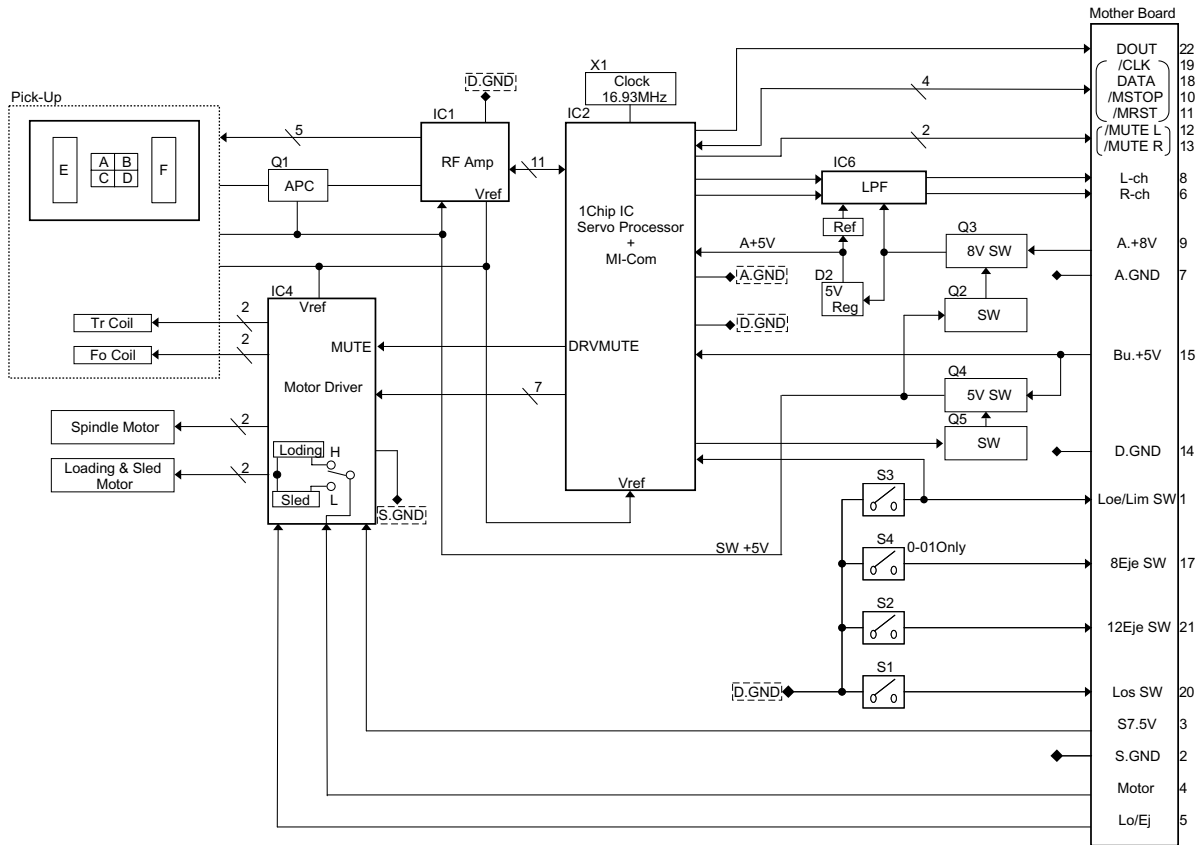


OK



NG

BLOCK DIAGRAM



COMPONENTS DESCRIPTION

● CD PLAYER UNIT (X32-5170-0x/X32-5190-0x)

Ref.No.	Application/Function	Operation/Condition/Compatibility
IC1	CD-RW compatible RF amplifier	Generation of RF and servo error (focusing error, tracking error) signals based on the signals read from the APC circuit and pickup, detection of dropouts, anti-shock, track crossing and off-track signals, and gain switching for CD-RW.
IC2	CD signal processor LSI + Mechanism u-COM	Focusing, tracking, sled and spindle servo processing, automated processing (focusing, tracking, gain, offset and balance), digital signal processing (DSP, PLL, subcode, CIRC error correction and audio data interpolation), Text function (MN662773kH2), and microcomputer function.
IC4	4-CH BTL driver	Drive of the focusing coil, tracking coil, sled motor and spindle motor, plus loading and ejection operations.
IC6	Audio active filter	Secondary LPF
Q1	For APC (Auto Power Control)	LD drive.
Q2	Q3 SW	ON when P-ON = "H" (when SW +5 V is ON).
Q3	A.8V SW	ON when P-ON = "H" (when Q2 is ON).
Q4	D.5V SW	ON when P-ON = "H" (when Q5 is ON).
Q5	Q4 SW(P-ON)	ON when P-ON = "H".
D1	Pickup laser diode protection	
D2	D/A converter power supply diode	A.8V → A.5V
D3	For static protection	
D4	For forced gain boost (tracking servo)	

*P-ON: Pin 82 of IC2.

MICROCOMPUTER'S TERMINAL DESCRIPTION

● Mechanism Microcomputer (IC2 : X32-5170-0x, X32-5190-0x)

Pin No.	Name.	I/O	Description	Processing Operation
1	BDO	I	Dropout signal input. H: Detected.	Photodetector signal input 1.
2	OFT	I	Off-track signal input. H: Detected.	Photodetector signal input 2.
3	/RFDET	I	RF detection signal input. H: Detected.	Photodetector signal input 3.
4	VDET	I	Vibration detection signal input. H: Detected.	Photodetector signal input 4.
5	LDON	O	Laser diode ON signal output. H: ON.	Photodetector RF signal add input.
6	NC	-	No connection.	RF amp filter terminal 1.
7	NC	-	No connection.	RF amp filter terminal 2.
8	AVSS3	I	Analog circuit GND.	
9	AVDD3	I	Analog circuit power supply.	
10	FBAL	O	Focusing balance adjustment output.	Laser diode monitor input.
11	TBAL	O	Tracking balance adjustment output.	Laser diode drive output.
12	FE	I	Focusing error signal input (D/A input).	
13	NC	-	No connection.	Tracking filter terminal 1.
14	NC	-	No connection.	Tracking filter terminal 1.
15	TE	I	Tracking error signal input (analog input).	
16	NC	-	No connection.	Track cross comparator filter terminal.
17	NC	-	No connection.	
18	NC	-	No connection.	RF signal input (for RF detection).
19	RFENV	I	RF envelope signal input.	
20	VREF	I	VREF input.	
21	ARF	I	RF signal input (for DSL).	
22	DRF	I	DSL bias terminal.	
23	DSLFB	I/O	DSL loop filter terminal.	
24	IREF	I	Reference current input.	
25	PLLFB	I/O	PLL loop filter terminal.	
26	PLLFB2	I/O	PLL loop filter characteristic switching terminal.	
27	VCOFB	I/O	VCO loop filter terminal.	
28	VCOFB2	I/O	Digital servo 33.8688 MHz generation (VCO loop filter terminal).	
29	TRV	O	Traverse forced feed output.	
30	TVD	O	Traverse drive output.	
31	PC	O	Spindle motor ON output. L: ON.	
32	ECM	O	Spindle motor drive output (forced mode output) (D/A output).	
33	ECS	O	Spindle motor drive output (servo error signal output).	
34	KICK	O	Kick pulse output.	
35	TRD	O	Tracking drive output.	
36	FOD	O	Focusing drive output.	
37	TOFS	O	Tracking offset adjustment output.	
38	AVDD2	I	Analog circuit power supply (for DSL, PLL, AD and DA circuits).	
39	AVSS2	I	Analog circuit GND.	
40	DVSS2	I	Digital circuit GND.	
41	EFM or CK384	O	EFM signal output.	When command is executed: 16.9344 MHz clock output.
42	PCK or DSLB	O	PLL sampling clock output.	When command is executed: DSL balance output.
43	/CLDCK	O	Subcode frame clock signal output.	
44	FCLK	O	X'tal frame clock signal output.	
45	IPFLAG	O	Interpolation flag signal output. H: Interpolated.	
46	FLAG	O	Flag signal output.	
47	TRCRS	I	Track crossing signal input.	Track crossing signal output.
48	STOUT	O	Serial data output for monitor signal (OFT, VDET, BDO, RFDET, etc.)	
49	STLD	O	Load signal output for monitor signal.	
50	SMCK	O	Bit clock signal output for monitor signal.	

MICROCOMPUTER'S TERMINAL DESCRIPTION

Pin No.	Name.	I/O	Description	Processing Operation
51	CSEL	I	X'tal oscillation frequency selection terminal, which is fixed at L. H: 33.8688 MHz. L: 16.9344 MHz.	
52	TEST1	I	Test pin 1. Fixed at L (normal position).	
53	TEST2	I	Test pin 2. Fixed at L (normal position).	
54	IOSEL	I	Audio DAC external data input mode selection terminal.	
55	/NRST	I	Reset input. L: Reset.	
56	BCLK	O	SRDATA bit clock output.	
57	LRCK	O	L/R identification signal output.	
58	SRDATA	O	Serial data output.	
59	SUBC	O	Subcode serial output.	
60	SBCK	I	Subcode serial output clock input.	
61	DQSY	O	CD-TEXT read permission signal output.	
62	DEMPH	O	De-emphasis detection signal output. H: ON.	
63	TX	O	Digital audio interface signal output.	
64	SRDATAIN	I	SRDATA input/test terminal.	
65	LRCKIN	I	LRCK input/SMCK output frequency switching.	
66	BCLKIN	I	BCLK input. When not used: VDD.	
67	DVDD1	I	Digital circuit power supply.	
68	X1	I	X'tal oscillator input terminal.	
69	X2	O	X'tal oscillator output terminal.	
70	DVSS1	I	Digital circuit GND.	
71	XSUB1	I	Microcomputer clock input terminal.	
72	XSUB2	O	Microcomputer clock output terminal.	
73	DVDD2	I	Digital circuit power supply.	
74	NC	O	No connection.	
75	NC	O	No connection.	
76	73/74SEL	I	73/74 selection port.	
77	DRV_MUTE	O	Driver muting control terminal.	
78	NC	O	No connection.	
79	NC	O	No connection.	
80	TEST	I	Test mode switching terminal.	
81	ASEL	I	Audio output polarity detection terminal.	
82	PON	O	Audio/digital power supply control terminal.	
83	SEARCH	O	Servo IC gain switching control terminal.	
84	EQCNT	O	RF amp double-speed switching control terminal.	
85	SW3	I	Limit switch detection terminal.	
86	/MUTE_L	O	L-CH analog muting control terminal.	
87	/MUTE_R	O	R-CH analog muting control terminal.	
88	CD_RW	O	CD-RW control terminal.	
89	/RST	I	System reset input terminal.	
90	MECHASEL	I	6000/6010 selection port.	L=6000 H=6010
91	/MSTOP	I	Standby detection terminal.	
92	LDCNT	O	LD control terminal.	
93	DATA	I/O	I2C bus data line (communication line with System controller).	
94	/CLK	I/O	I2C bus clock data line (communication line with System controller).	
95	HOT	I	Temperature protection detection terminal.	
96	VREF+	I	A/D converter + power supply.	
97	OUTR	O	R-channel audio output.	
98	AVDD1	I	Analog circuit power supply (for audio output circuits of both L and R channels).	
99	OUTL	O	L-channel audio output.	
100	AVSS1	I	Analog circuit GND (for audio output circuits of both L and R channels).	

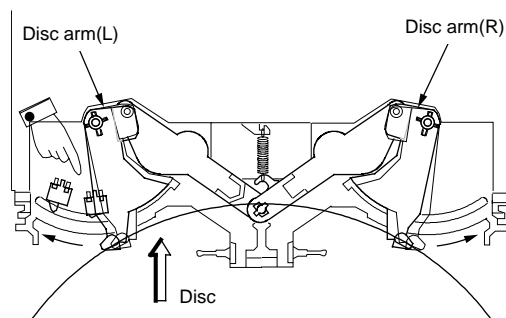
OPERATION DESCRIPTION

[1] Disc Loading

(1) Turning the loading switch ON

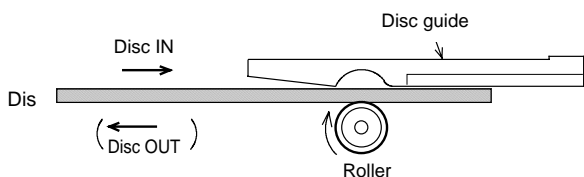
- 1) When a disc is inserted, the disc arms open to the left and right and the claw below disc arm (L) sets the loading switch ON.
- 2) The above starts the motor rotation.

Switch ON!

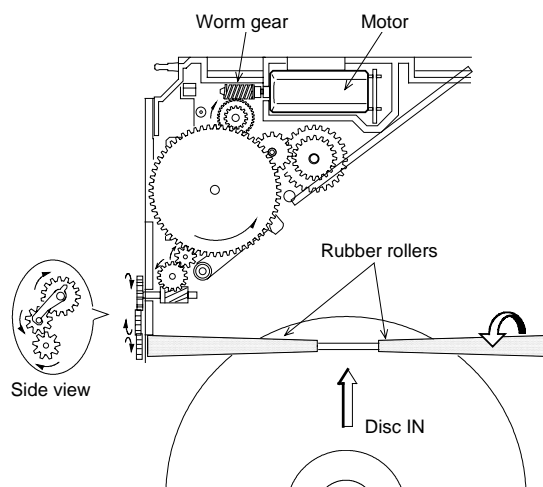


(2) Loading the disc

- 1) When the motor starts rotation, the worm gear also starts to turn as shown in the figure.
- 2) The rotation force is transmitted to the gear train.
- 3) When the force is transmitted to the final gear, the rollers rotate to pull in the disc.



The disc is pulled in or out when the rollers are pushed against the disc guide.

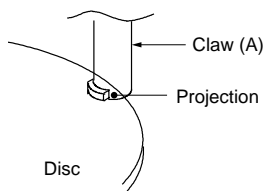
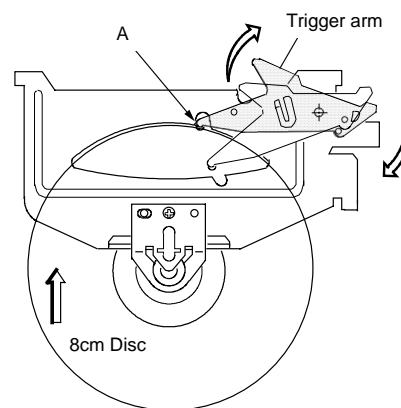
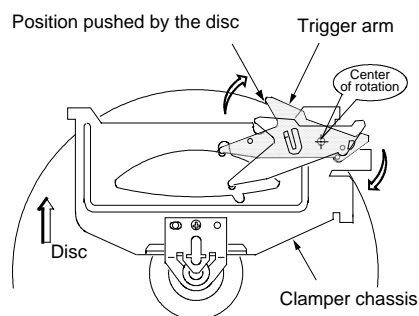


[2] Operation of Slider (R)

(1) Activating the trigger arm

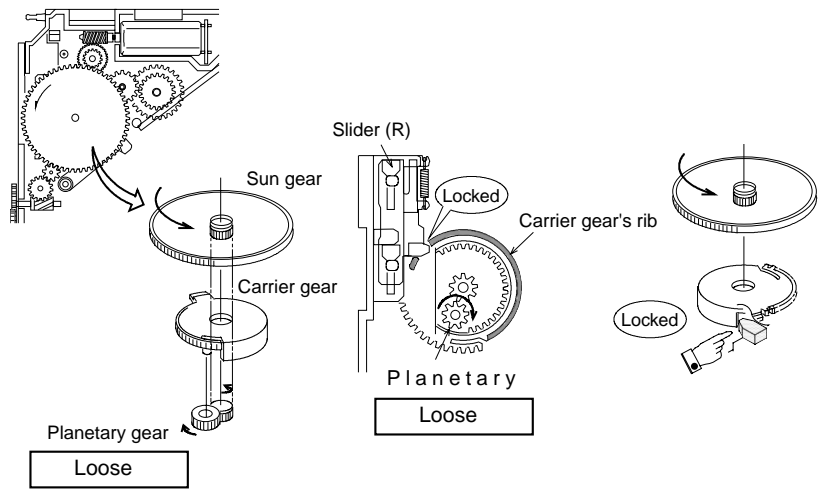
- 1) When the disc is pulled in by the rollers, the disc edge pushes the trigger arm and rotates it.
- 2) When the disc is an 8cm disc, it is pulled upwards by the tapering on the disc guide. The trigger arm is rotated when the disc pushes the claw (section A) located before the trigger arm.

When the 8cm disc reaches the loading end position, the roller areas supporting the disc decreases. To prevent the disc from dropping in this case, the claw is provided with a projection for supporting the disc.



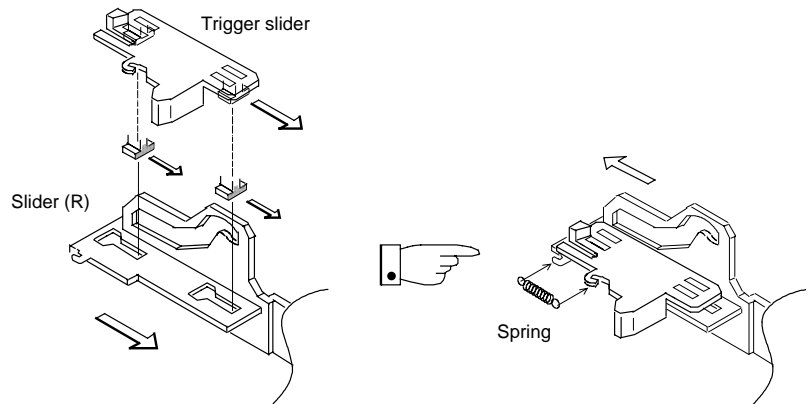
(2) Basic construction (Initial position of the planetary gear mechanism)

- 1) Even after the disc has been inserted, the motor rotated and the gear train also rotated, slider (R) does not start operation yet. This is because the planetary gear mechanism is used and the carrier gear is locked by the slider mechanism. In this period, the planetary gear is in the loose condition.
- 2) When the sun gear is rotating and the carrier gear is locked, the planetary gear is running idle.



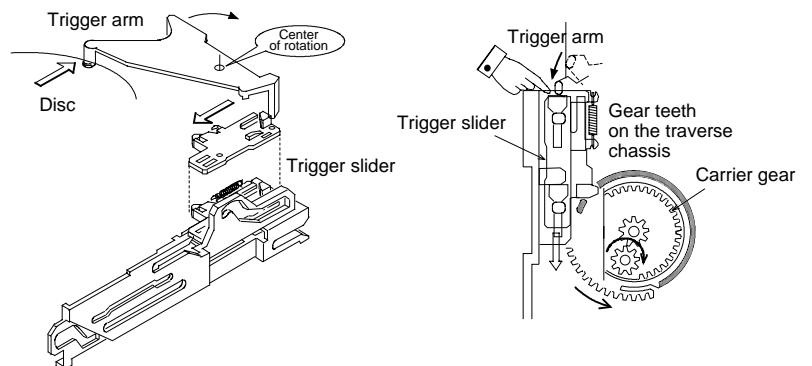
(3) Basic construction (Construction of the trigger slider and slider (R))

The trigger slider is assembled with slider (R) and pushed in the direction of the arrow by the force of a spring.



(4) Operation of slider (R)

- 1) Activating the trigger slider
When the trigger arm is rotated by the pressure of the disc, the trigger arm pushes the trigger slider.

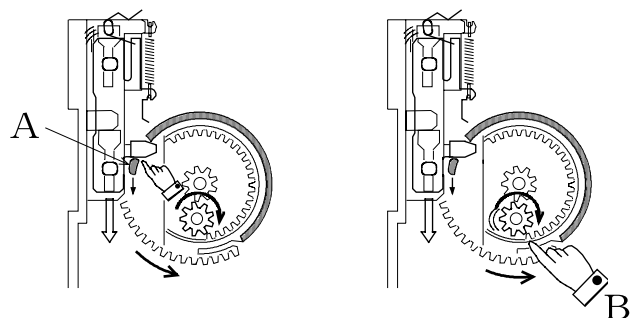


- 2) Rotating (engaging) the planetary gear

When the trigger slider is moved, it pushes down the wall (section A) of the carrier gear. (Initial rotation of the carrier gear)

This causes the planetary gear, which is attached on a pin of the carrier gear, to move according to the rotation of the carrier gear. When the planetary gear is meshed with a gear tooth (section B) of the traverse chassis, the planetary gear starts rotation.

The rotation of the planetary gears causes the carrier gear to rotate.

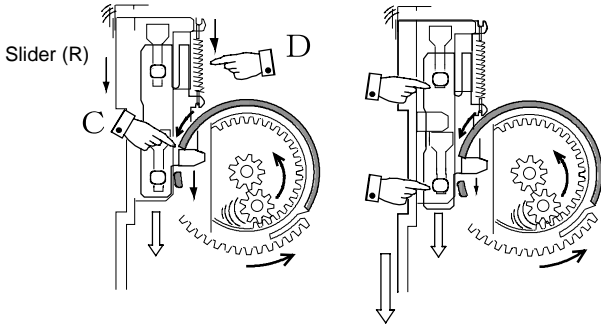


X92-4030-0x

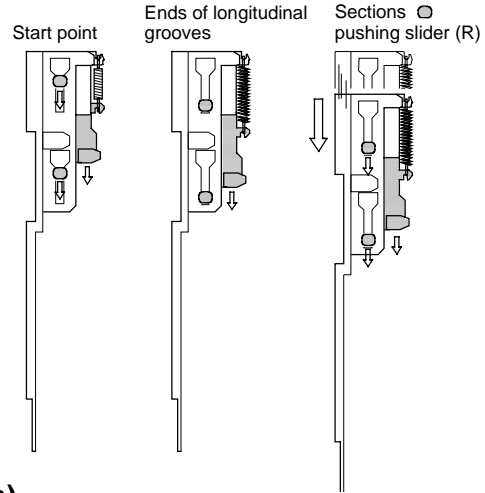
X92-4440-0x

3) Activating slider (R)

When the carrier gear rotates, its wall (section C) pushes and moves the trigger slider.
 When the trigger slider is moved, slider (R) is pulled by the force of spring (section D).



When the trigger slider moves along the longitudinal grooves on slider (R) till the ends of grooves, the trigger slider itself begins to push and move slider (R).

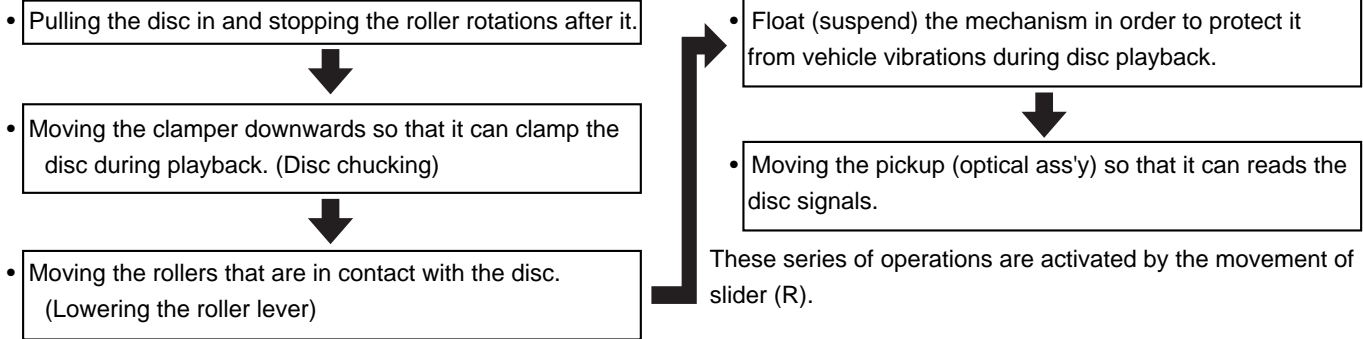


[3] Flow Until Disc Chucking (Playback Standby Condition)

(1) Functions activated by slider (R)

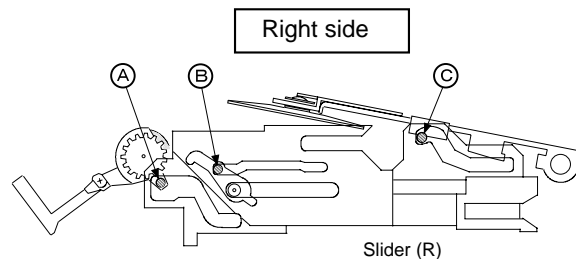
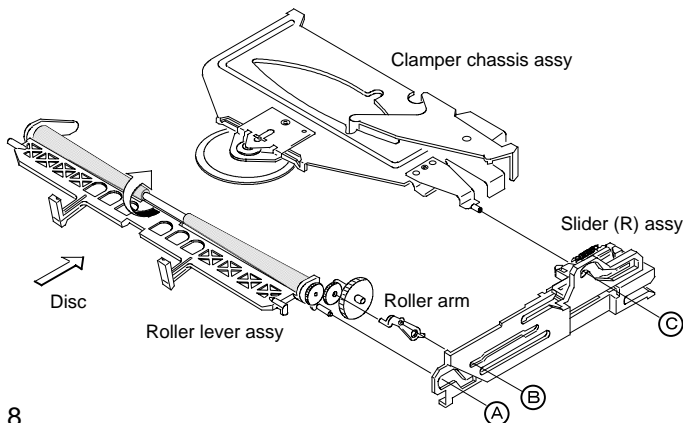
1) Operation modes

To play back a CD, it is required to perform a flow of operations as shown below.



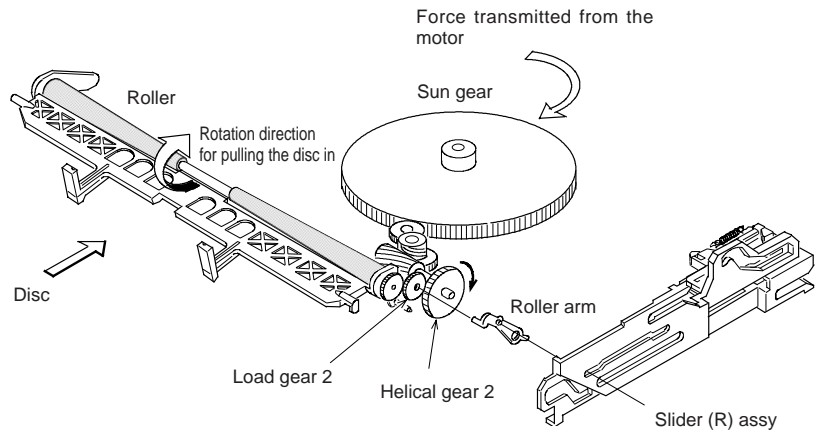
2) Coupling conditions

The parts used for performing the above functions are coupled with slider (R) as shown below.



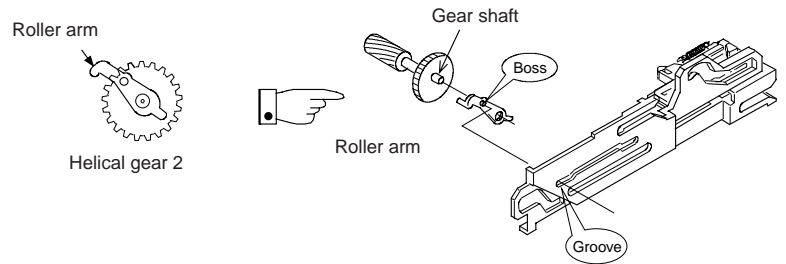
3) Rotation of rollers during disc loading

As shown in the following figure, the motor rotation force is transmitted through sun gear → helical gear 2 → load gear 2 to the gear that is coupled directly with the roller shaft to rotate the rollers and pull in the disc.



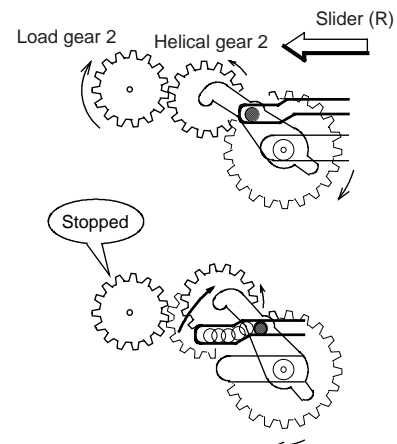
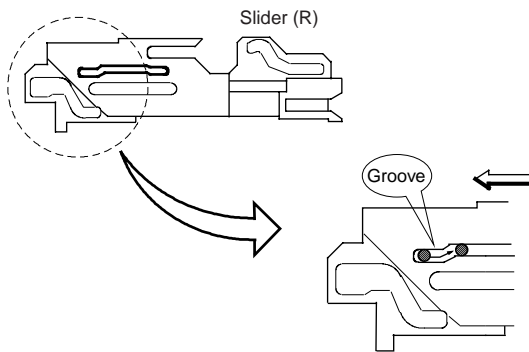
(2) How to stop the roller rotation

The boss of the roller arm is engaged with a groove on slider (R).



When slider (R) moves, the boss of the roller arm moves along the groove of slider (R), thereby separating the helical gear 2 coupled with it from load gear 2.

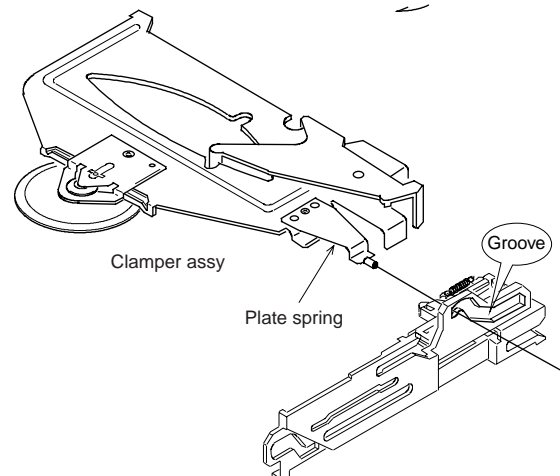
This stops transmission of the force to the rollers so the rollers stop.



(3) Operation of the clamber (Disc chucking)

1) Engaged condition

The plate spring attached to the clamber chassis is originally engaged with a groove on slider (R).



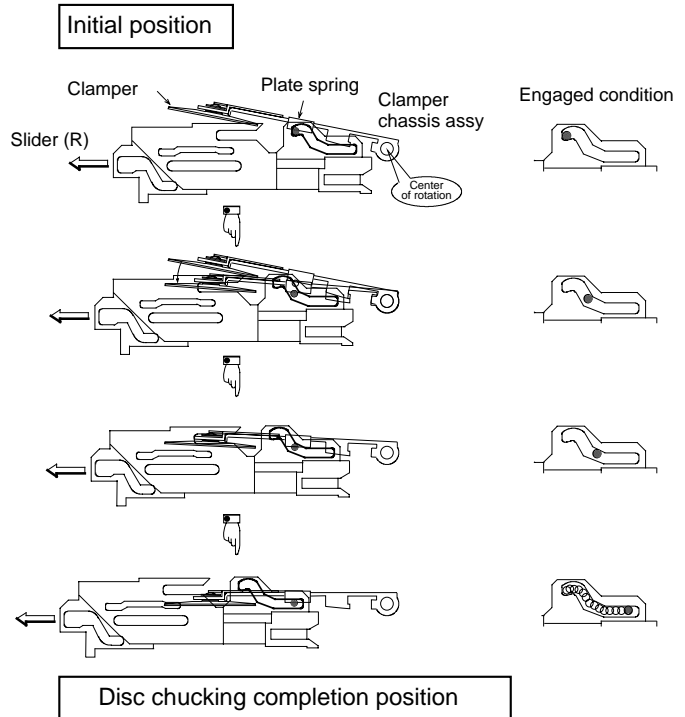
X92-4030-0x

X92-4440-0x

2) Lowering the clamber (for disc chucking)

As slider (R) moves, the plate spring engaged with it moves along its groove and lowers the clamber chassis assembly.

The following figure shows the flow of operation.

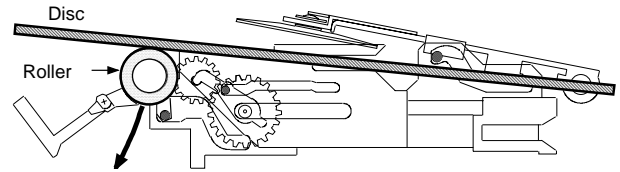


(4) How to lower the rollers

1) Disc chucking completion position

When the disc in this position, the rollers are located below the disc and in contact with it.

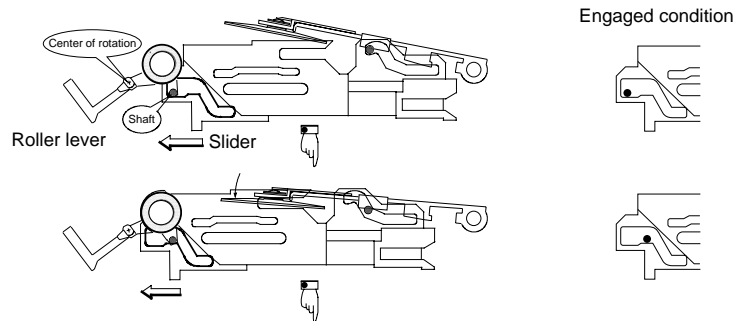
To rotate the disc for playback, it is required to separate the rollers from the disc.



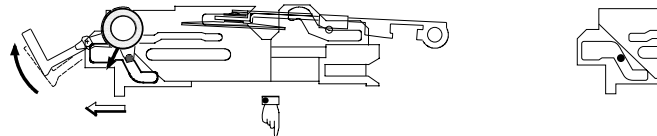
2) Lowering the rollers (Disc playback position)

As slider (R) moves, the roller lever shaft engaged with a groove on slider (R) moves along the groove and lowers the rollers.

The following figure shows the flow of operation.

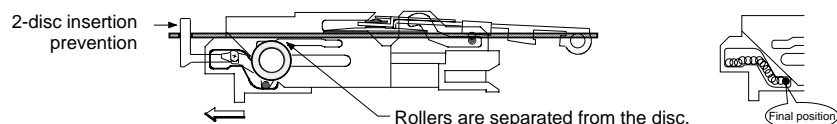


In contrast to the downward movement of the rollers, the extremity of the roller lever starts to be raised.



At the lowest position of the rollers

The roller lever extremity comes in the position shown in the figure. Here, it plays a role of stopper for preventing insertion of more than one disc.



(5) Floating position and lock position of the mechanism

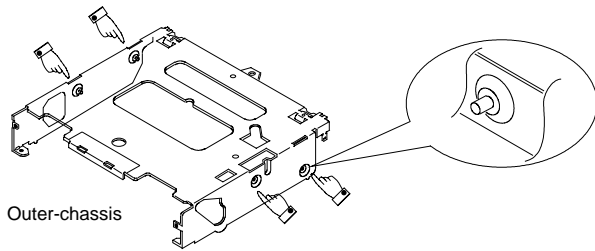
The disc is loaded and ejected by rotation of the rollers that come in close contact with the disc.

After the disc has been pulled in by the rollers, its position should be adjusted so that it can be placed precisely on the turntable of the traverse chassis. To make this possible, the traverse chassis and outer chassis should be in the locked condition.

Since the outer chassis is originally locked on the main unit, if the traverse chassis is also locked during playback, the disc would be subjected directly to vibrations of vehicle during driving and the disc signal would be hindered, making the audio intermittent or impossible to be played.

To prevent such a problem, the traverse chassis is suspended from the outer case using springs or rubber dampers during driving. This positioning protects the disc playback operations and is referred to as the floating position.

Shafts for locking the traverse chassis (Outer case-integrated design)
(4 shafts)



(6) Function of slider (L)

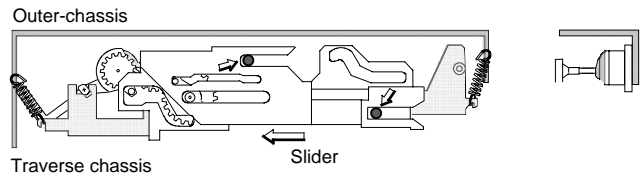
Slider (L) ensures the mechanism lock position because the shafts of the outer chassis are inserted into its grooves in the same way as they are inserted into the grooves on slider (R).

As slider (R) moves, the force moving the roller lever is transmitted to slider (L), which also starts the sliding movement.

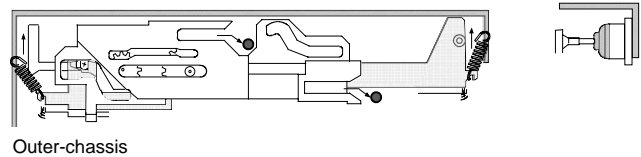
When the spring is compressed gradually to a certain point, the force changes to a reverse force, which supports the jump-up operation of the roller lever.

Mechanism lock position

The shafts of the outer chassis are inserted into the grooves on the sliders.

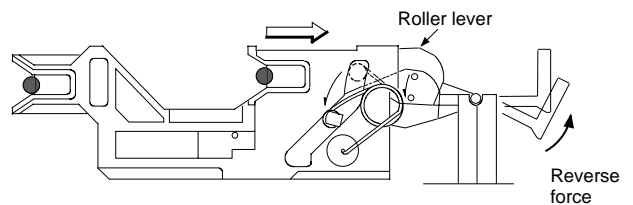
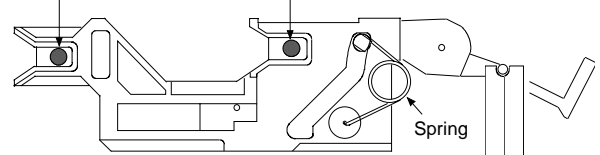


Mechanism floating position



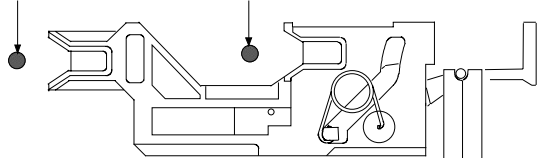
Mechanism lock position

The shafts of the outer chassis are inserted into the grooves on the sliders.



Mechanism floating position

The shafts on the outer chassis are disengaged from the grooves on the slider.

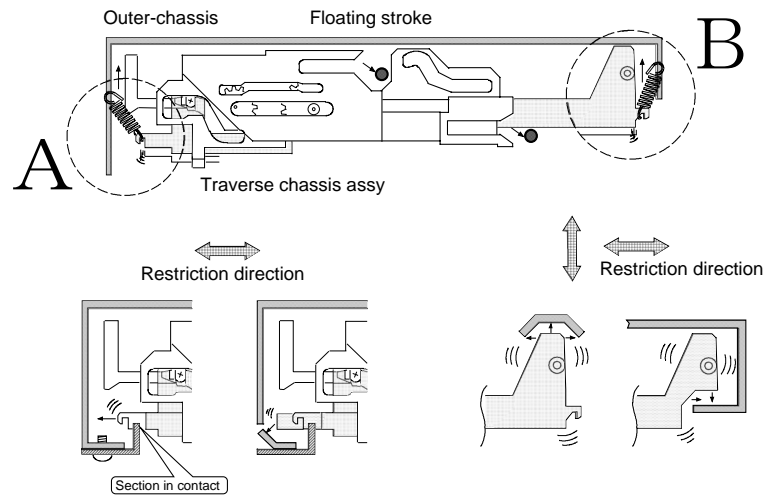


X92-4030-0x X92-4440-0x

(7) Floating stroke

When the traverse chassis assembly is in the mechanism floating position, stoppers should be provided between the outer case and traverse chassis assembly in order to prevent the mechanism from being damaged by vibrations and shocked of the vehicle.

The distance between the traverse chassis assembly and stoppers, that is, the range in which the traverse chassis assembly can move freely, is referred to as the floating stroke.

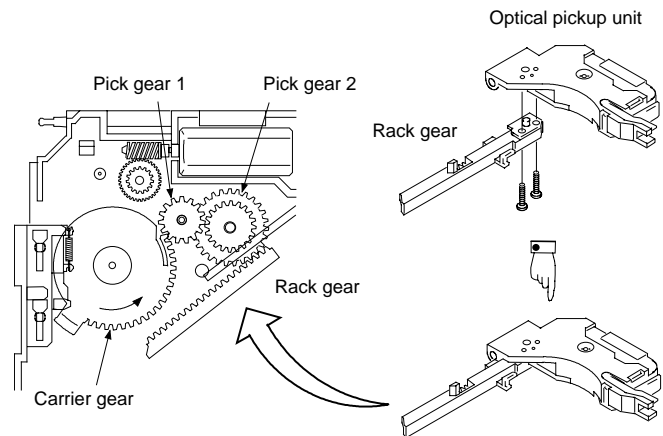


(8) Operation of the pickup

1) Construction

The optical pickup unit is attached on the rack gear.

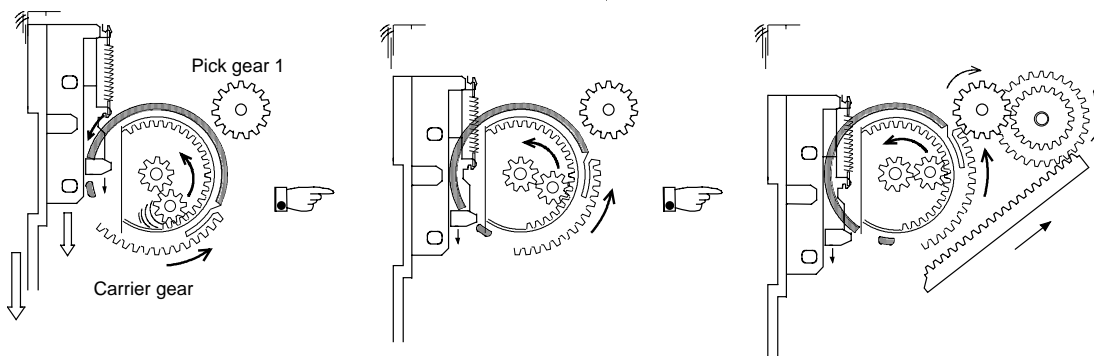
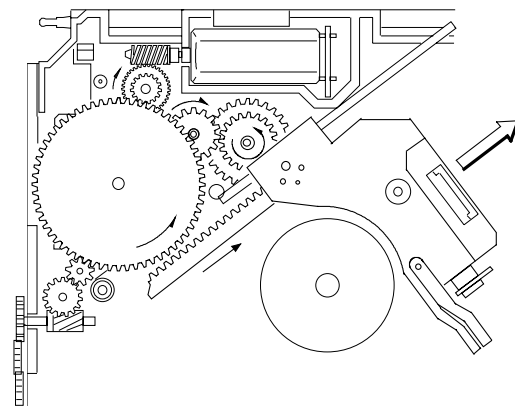
The following figure shows the positioning of the gears.



2) Activating the pickup

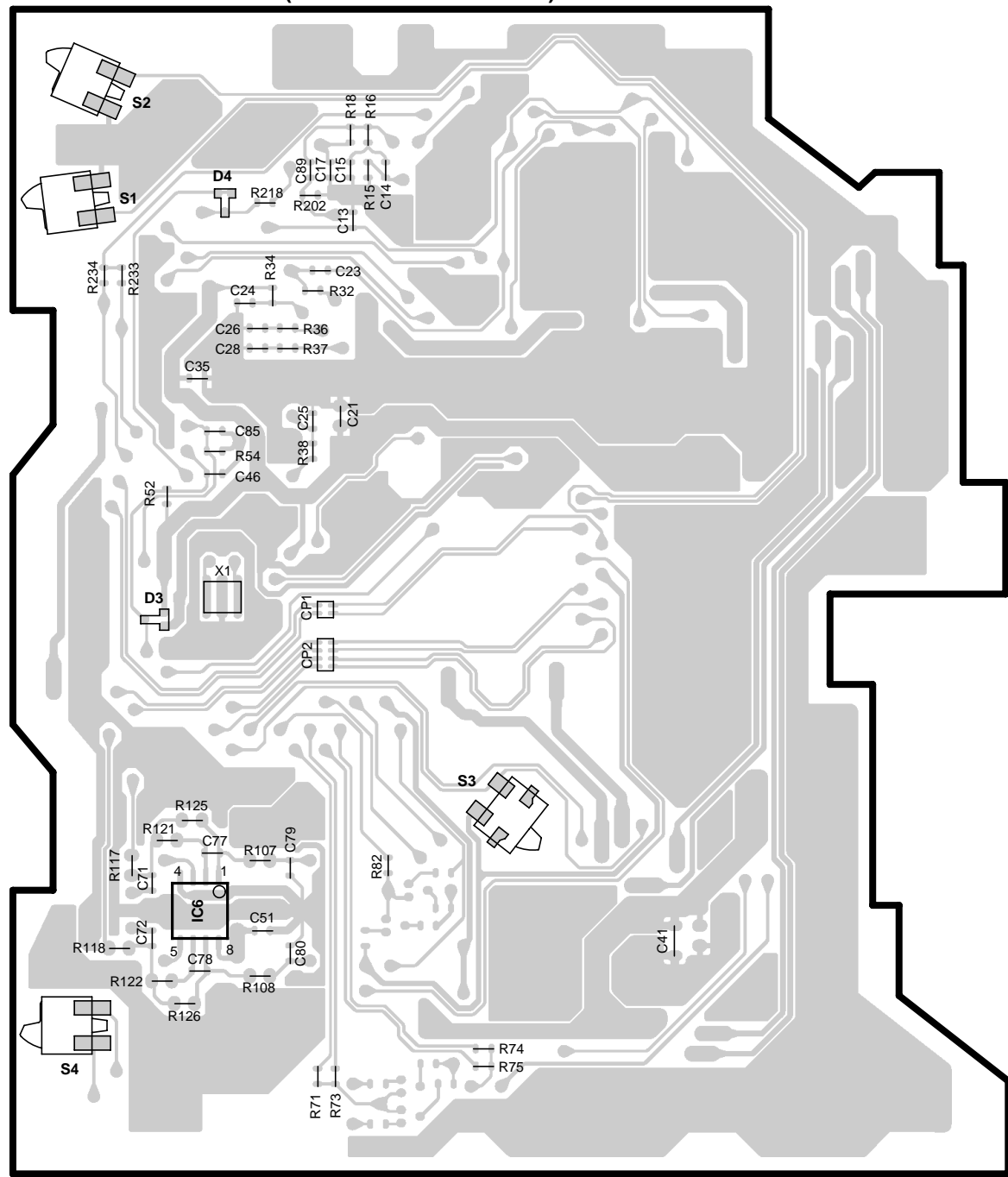
After the above series of operations have completed and the disc is put in the playback condition, the carrier gear rotates further and is meshed with pick gear 1. The force is then transmitted through pick gear 2 to the rack gear, causing the optical pickup unit to move.

The operation of the optical pickup unit is controlled by the servo circuitry.



PC BOARD (COMPONENT SIDE VIEW)

X32-5170-0x/X32-5190-0x (J74-1242-12/J74-1244-12)

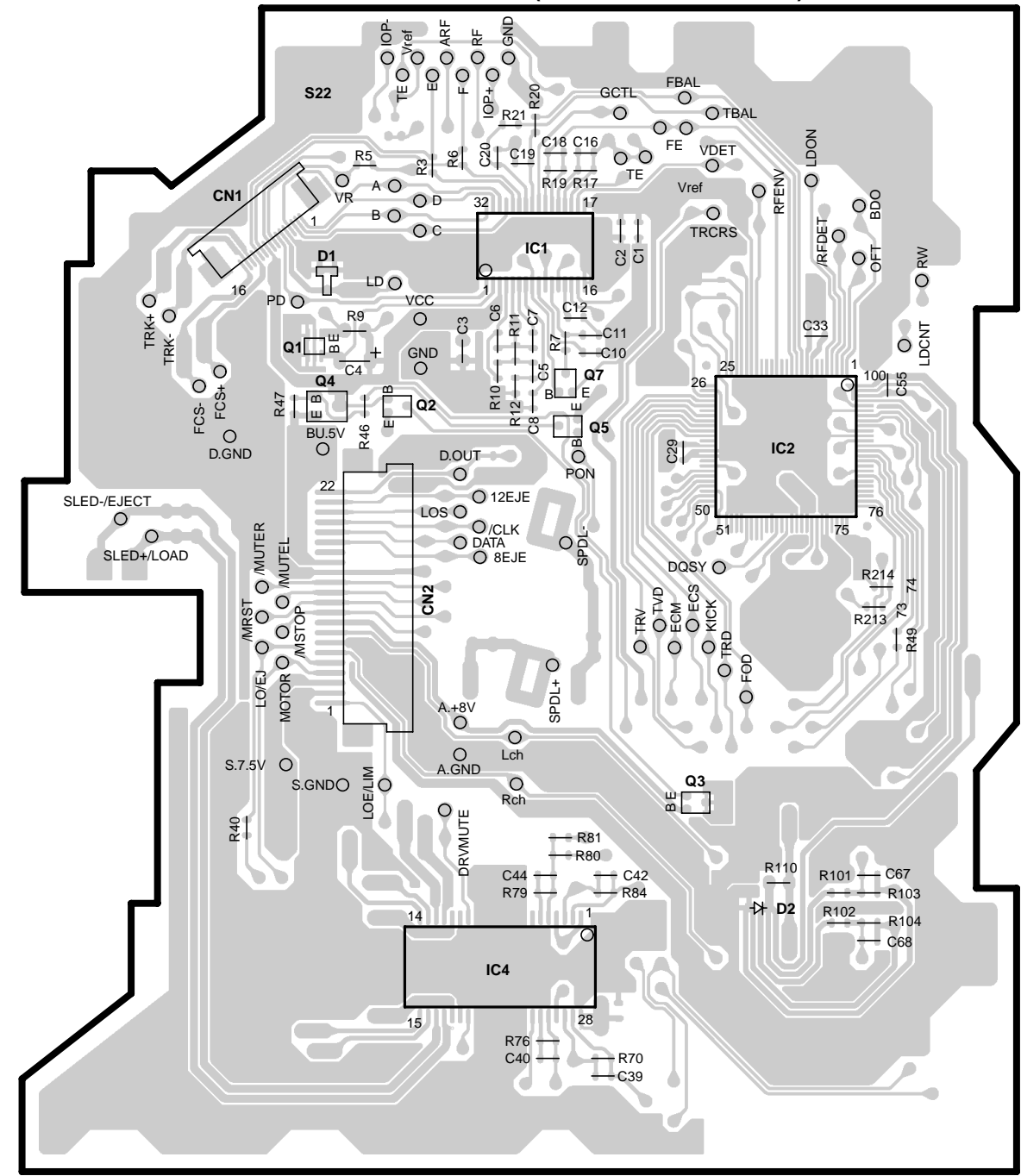


X32-5170-0x
X32-5190-0x

IC	6
Q	
address	5B

PC BOARD (FOIL SIDE VIEW)

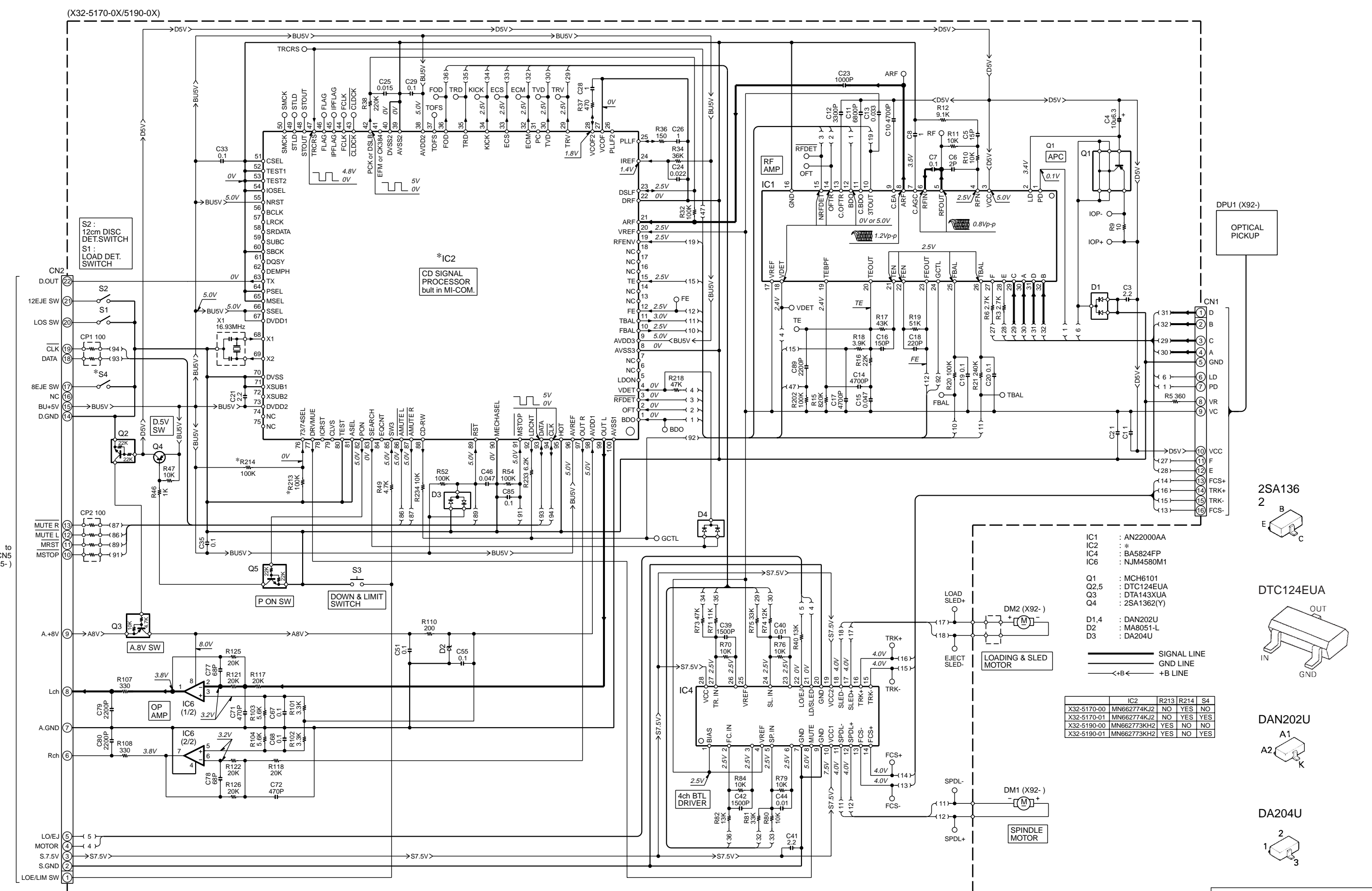
X32-5170-0x/X32-5190-0x (J74-1242-12/J74-1244-12)



X32-5170-0x/X32-5190-0x

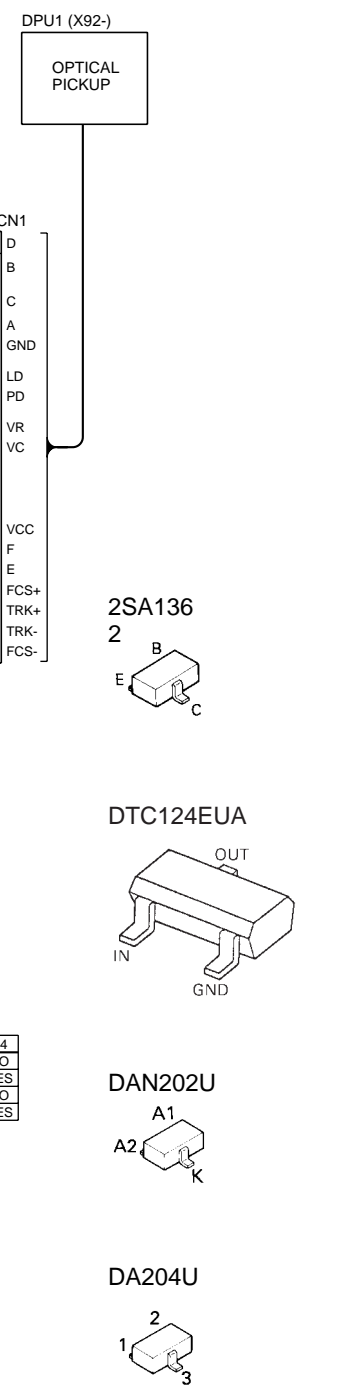
IC	1	2	4		
Q		1	2	3	4 5
address	3H	3I	5H	3G	3G 5I 3G 3H

Refer to the schematic diagram for the values of resistors and capacitors.



- IC1 : AN22000AA
 IC2 : *
 IC4 : BA5824FP
 IC6 : NJM4580M1
- Q1 : MCH6101
 Q2,5 : DTC124EUA
 Q3 : DTA143XUA
 Q4 : 2SA1362(Y)
- D1,4 : DAN202U
 D2 : MA8051-L
 D3 : DA204U
- SIGNAL LINE
 — GND LINE
 <-B< — +B LINE

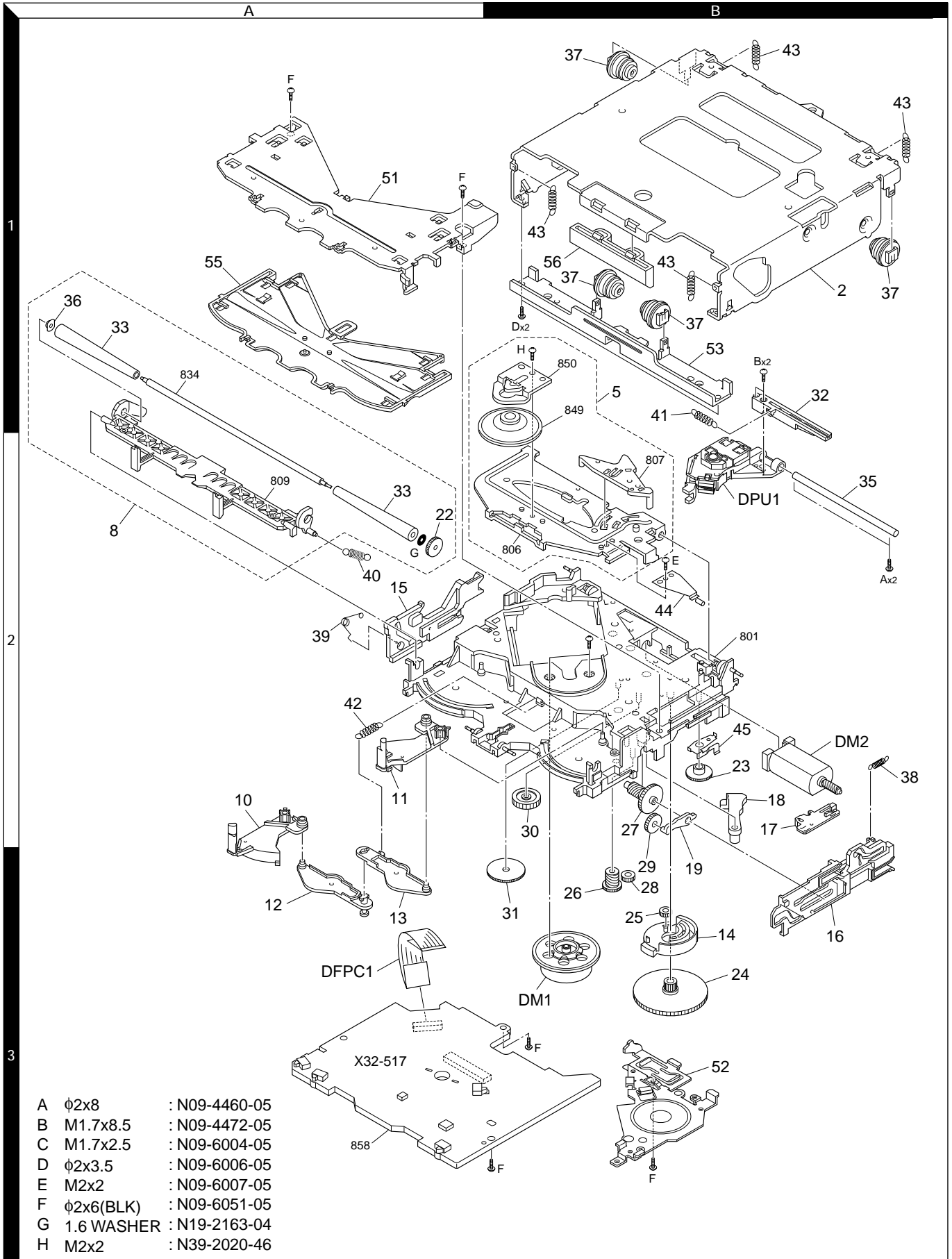
	IC2	R213	R214	S4
X32-5170-00	MN662774KJ2	NO	YES	NO
X32-5170-01	MN662774KJ2	NO	YES	YES
X32-5190-00	MN662773KH2	YES	NO	NO
X32-5190-01	MN662773KH2	YES	NO	YES



CAUTION : For continued safety, replace safety critical components only with manufacturer's recommended parts (refer to parts list).
 ▲ Indicates safety critical components. To reduce the risk of electric shock, leakage-current or resistance measurements shall be carried out (exposed parts are acceptably insulated from the supply circuit) before the appliance is returned to the customer.
 • DC voltages are as measured with a high impedance voltmeter. Values may vary slightly due to variations between individual instruments or/and units.

X92-4030-0x
 X92-4440-0x
KENWOOD

EXPLODED VIEW



A	φ2x8	:	N09-4460-05
B	M1.7x8.5	:	N09-4472-05
C	M1.7x2.5	:	N09-6004-05
D	φ2x3.5	:	N09-6006-05
E	M2x2	:	N09-6007-05
F	φ2x6(BLK)	:	N09-6051-05
G	1.6 WASHER	:	N19-2163-04
H	M2x2	:	N39-2020-46

Parts with the exploded numbers larger than 700 are not supplied.

X92-4030-0x X92-4440-0x

PARTS LIST

* New Parts

Parts without **Parts No.** are not supplied.

Les articles non mentionnes dans le **Parts No.** ne sont pas fournis.

Teile ohne **Parts No.** werden nicht geliefert.

Ref. No.	A d d	N e w	Parts No.	Description	D e s t i n a t i o n
CD PLAYER UNIT (X32-5170-0x, X32-5190-0x)					
C1,2			CK73GB0J105K	CHIP C 1.0UF K	
C3			CK73FB1A225K	CHIP C 2.2UF K	
C4			C92-0566-05	CHIP-TAN 10UF 6.3WV	
C5			CC73GCH1H150J	CHIP C 15PF J	
C6			CC73GCH1H020C	CHIP C 2.0PF C	
C7			CK73GB1C104K	CHIP C 0.10UF K	
C8			CK73GB0J105K	CHIP C 1.0UF K	
C10			CK73GB1H472K	CHIP C 4700PF K	
C11			CK73GB1H682K	CHIP C 6800PF K	
C12			CK73GB1H332K	CHIP C 3300PF K	
C13			CK73GB1C333K	CHIP C 0.033UF K	
C14			CK73GB1H472K	CHIP C 4700PF K	
C15			CK73GB1E473K	CHIP C 0.047UF K	
C16			CC73GCH1H151J	CHIP C 150PF J	
C17			CK73GB1H472K	CHIP C 4700PF K	
C18			CC73GCH1H221J	CHIP C 220PF J	
C19,20			CK73GB1C104K	CHIP C 0.10UF K	
C21			CK73FB1A225K	CHIP C 2.2UF K	
C23			CK73GB1H102K	CHIP C 1000PF K	
C24			CK73GB1E223K	CHIP C 0.022UF K	
C25			CK73GB1H153K	CHIP C 0.015UF K	
C26			CK73GB0J105K	CHIP C 1.0UF K	
C28			CK73GB0J105K	CHIP C 1.0UF K	
C29			CK73GB1C104K	CHIP C 0.10UF K	
C33			CK73GB1C104K	CHIP C 0.10UF K	
C35			CK73GB1C104K	CHIP C 0.10UF K	
C39			CK73GB1H152K	CHIP C 1500PF K	
C40			CK73GB1H103K	CHIP C 0.010UF K	
C41			CK73EB1C225K	CHIP C 2.2UF K	
C42			CK73GB1H152K	CHIP C 1500PF K	
C44			CK73GB1H103K	CHIP C 0.010UF K	
C46			CK73GB1E473K	CHIP C 0.047UF K	
C51			CK73GB1C104K	CHIP C 0.10UF K	
C55			CK73GB1C104K	CHIP C 0.10UF K	
C67,68			CK73GB1C104K	CHIP C 0.10UF K	
C71,72			CK73GB1H471K	CHIP C 470PF K	
C77,78			CC73GCH1H680J	CHIP C 68PF J	
C79,80			CK73GB1H222K	CHIP C 2200PF K	
C85			CK73GB1C104K	CHIP C 0.10UF K	
C89			CK73GB1H222K	CHIP C 2200PF K	
CN1		*	E40-9536-05	FLAT CABLE CONNECTOR (16p)	
CN1			E41-0193-05	FLAT CABLE CONNECTOR (16p)	
CN2			E40-9339-05	FLAT CABLE CONNECTOR (22P)	
CN2			E41-0129-05	FLAT CABLE CONNECTOR	
X1			L78-0572-05	RESONATOR 16.93MHZ	
CP1			R90-1019-05	MULTI-COMP 100 X2	
CP2			R90-1014-05	MULTI-COMP 100 X4	
R3		*	RK73GB2A272J	CHIP R 2.7K J 1/10W	
R5			RK73GB2A361J	CHIP R 360 J 1/10W	
R6			RK73GB2A272J	CHIP R 2.7K J 1/10W	
R9			RK73FB2B100J	CHIP R 10 J 1/8W	
R10,11			RK73GB2A103J	CHIP R 10K J 1/10W	

Ref. No.	A d d	N e w	Parts No.	Description	D e s t i n a t i o n
R12		*	RK73GB2A912J	CHIP R 9.1K J 1/10W	
R15		*	RK73GB2A824J	CHIP R 820K J 1/10W	
R16			RK73GB2A223J	CHIP R 22K J 1/10W	
R17			RK73GB2A433J	CHIP R 43K J 1/10W	
R18		*	RK73GB2A392J	CHIP R 3.9K J 1/10W	
R19		*	RK73GB2A513J	CHIP R 51K J 1/10W	
R20			RK73GB2A104J	CHIP R 100K J 1/10W	
R21		*	RK73GB2A244J	CHIP R 240K J 1/10W	
R32		*	RK73GB2A683J	CHIP R 68K J 1/10W	
R34		*	RK73GB2A363J	CHIP R 36K J 1/10W	
R36			RK73GB2A151J	CHIP R 150 J 1/10W	
R37			RK73GB2A471J	CHIP R 470 J 1/10W	
R38		*	RK73GB2A224J	CHIP R 220K J 1/10W	
R40		*	RK73GB2A133J	CHIP R 13K J 1/10W	
R46			RK73GB2A102J	CHIP R 1.0K J 1/10W	
R47			RK73GB2A103J	CHIP R 10K J 1/10W	
R49			RK73GB2A472J	CHIP R 4.7K J 1/10W	
R52			RK73GB2A104J	CHIP R 100K J 1/10W	
R54			RK73GB2A104J	CHIP R 100K J 1/10W	
R70			RK73GB2A103J	CHIP R 10K J 1/10W	
R71		*	RK73GB2A113J	CHIP R 11K J 1/10W	
R73			RK73GB2A473J	CHIP R 47K J 1/10W	
R74			RK73GB2A123J	CHIP R 12K J 1/10W	
R75			RK73GB2A333J	CHIP R 33K J 1/10W	
R76			RK73GB2A103J	CHIP R 10K J 1/10W	
R79,80			RK73GB2A103J	CHIP R 10K J 1/10W	
R81			RK73GB2A333J	CHIP R 33K J 1/10W	
R82		*	RK73GB2A133J	CHIP R 13K J 1/10W	
R84			RK73GB2A103J	CHIP R 10K J 1/10W	
R101,102		*	RK73GB2A332J	CHIP R 3.3K J 1/10W	
R103,104			RK73GB2A562J	CHIP R 5.6K J 1/10W	
R107,108			RK73FB2B331J	CHIP R 330 J 1/8W	
R110		*	RK73FB2B201J	CHIP R 200 J 1/8W	
R117,118		*	RK73FB2B203J	CHIP R 20K J 1/8W	
R121,122		*	RK73FB2B203J	CHIP R 20K J 1/8W	
R125,126		*	RK73FB2B203J	CHIP R 20K J 1/8W	
R202			RK73GB2A104J	CHIP R 100K J 1/10W	
R214			RK73GB2A104J	CHIP R 100K J 1/10W	
R218			RK73GB2A473J	CHIP R 47K J 1/10W	
R233		*	RK73GB2A622J	CHIP R 6.2K J 1/10W	
R234			RK73GB2A103J	CHIP R 10K J 1/10W	
S1,2		*	S68-0863-05	PUSH SWITCH	
S3		*	S68-0862-05	PUSH SWITCH	
S4		*	S68-0864-05	PUSH SWITCH	A2A3
S4		*	S68-0864-05	PUSH SWITCH	B2B3
D1			DAN202U	DIODE	
D2			MA8051-L	ZENER DIODE	
D3			DA204U	DIODE	
D4			DAN202U	DIODE	
IC1			AN22000AA	ANALOGUE IC	
IC2		*	MN662773KH2	MOS-IC	B0B1B2
IC2		*	MN662773KH2	MOS-IC	B3B4B5
IC2		*	MN662774KJ2	MOS-IC	A0A1A2
IC2		*	MN662774KJ2	MOS-IC	A3A4A5

A0 : X92-4030-00 (DXM-6000W) A3 : X92-4030-03 (DXM-6003W)
A1 : X92-4030-01 (DXM-6001W) A4 : X92-4030-04 (DXM-6004W)
A2 : X92-4030-02 (DXM-6002W) A5 : X92-4030-05 (DXM-6005W)

B0 : X92-4440-00 (DXM-6100W) B3 : X92-4440-03 (DXM-6103W)
B1 : X92-4440-01 (DXM-6101W) B4 : X92-4440-04 (DXM-6104W)
B2 : X92-4440-02 (DXM-6102W) B5 : X92-4440-05 (DXM-6105W)

PARTS LIST

* New Parts

Parts without **Parts No.** are not supplied.

Les articles non mentionnes dans le **Parts No.** ne sont pas fournis.

Teile ohne **Parts No.** werden nicht geliefert.

Ref. No.	A d d	N e w	Parts No.	Description	D e s t i n a t i o n
IC4		*	BA5824FP	ANALOGUE IC	
IC6		*	NJM4580M1	ANALOGUE IC	
Q1			MCH6101	TRANSISTOR	
Q2			DTC124EUA	DIGITAL TRANSISTOR	
Q3			DTA143XUA	DIGITAL TRANSISTOR	
Q4			2SA1362(Y)	TRANSISTOR	
Q5			DTC124EUA	DIGITAL TRANSISTOR	
CD MECHANISM ASSY (X92-4030-0x, X92-4440-0x)					
2	1B	*	A10-4827-12	CHASSIS OUTER	
5	2B	*	D10-4576-23	ARM ASSY CLAMP	
8	2A	*	D10-4579-03	LEVER ASSY ROLLER	
10	3A	*	D10-4581-13	ARM DISC-L	
11	2A	*	D10-4582-13	ARM DISC-R	
12	3A	*	D10-4583-03	ARM JOINT-L	
13	3A	*	D10-4584-03	ARM JOINT-R	
14	3B	*	D10-4585-03	ARM CARRIER	
15	2A	*	D10-4586-03	SLIDER L	
16	3B	*	D10-4587-02	SLIDER R	
17	3B	*	D10-4588-03	SLIDER TRIG	
18	3B	*	D10-4595-04	ARM LOCK	
19	3B	*	D10-4596-04	ARM ROLLER	
22	2A	*	D13-2151-04	GEAR ROLLER	
23	2B	*	D13-2152-04	GEAR HELICAL-1	
24	3B	*	D13-2153-04	GEAR SUN	
25	3B	*	D13-2154-04	GEAR PLANET	
26	3B	*	D13-2155-04	WORM 2	
27	3B	*	D13-2156-04	GEAR HELICAL-2	
28	3B	*	D13-2157-04	GEAR LOAD-1	
29	3B	*	D13-2158-04	GEAR LOAD-2	
30	3B	*	D13-2168-04	GEAR PICK-1	
31	3B	*	D13-2171-04	GEAR PICK-2	
32	2B	*	D13-2172-03	RACK (GEAR)	
33	2A	*	D14-0759-04	ROLLER N100X3DIES	
35	2B	*	D21-2382-04	SHAFT PICK	
36	1A	*	D23-0954-04	RETAINER	
37	1B	*	D39-0246-05	DAMPER	
38	2B	*	G01-3072-04	EXTENSION SPRING TRIGGER	
39	2A	*	G01-3073-04	TORSION COIL SPRING ROLLER-L	
40	2A	*	G01-3074-04	EXTENSION SPRING ROLLER-R	
41	2B	*	G01-3075-04	EXTENSION SPRING PICKUP	
42	2A	*	G01-3076-04	EXTENSION SPRING JOINT-SP	
43	1B	*	G01-3077-04	EXTENSION SPRING FLOATING	
44	2B	*	G02-1399-04	FLAT SPRING CLAMP	
45	2B	*	G02-1408-04	FLAT SPRING WORM	
51	1A	*	J21-9676-12	MOUNTING HARDWARE GUIDE-BKT	
52	3B	*	J21-9677-02	MOUNTING HARDWARE GEAR-BKT	
53	1B	*	J21-9678-03	MOUNTING HARDWARE DAMPER-BKT	
55	1A	*	J90-1001-11	GUIDE 1	
56	1B	*	J90-1023-03	GUIDE 2	
DFPC1	3A	*	J84-0128-15	FLEXIBLE P.W.B. PICK-FPC	
A	2B	*	N09-4460-05	TAPTITE SCREW PT2X8-SARA	
B	1B	*	N09-4472-05	MACHINE SCREW PICK-RACK	

Ref. No.	A d d	N e w	Parts No.	Description	D e s t i n a t i o n
C	2B	*	N09-6004-05	MACHINE SCREW M1.7X2.5	
D	1B	*	N09-6006-05	TAPTITE SCREW ST-2X3.5	
E	2B	*	N09-6007-05	MACHINE SCREW M2X2	
F	1A	*	N09-6051-05	TAPTITE SCREW PT2X6-BIND	
G	2A	*	N19-2163-04	FLAT WASHER 1.6X0.25	
H	1B	*	N39-2020-46	MACHIN SCREW M2X2	
DM1	3B	*	T42-1066-04	DC MOTOR ASSY SP	
DM2	2B	*	T42-1067-04	DC MOTOR ASSY LO	
DPU1	2B	*	T25-0223-05	OPTICAL PICKUP HEAD	

A0 : X92-4030-00 (DXM-6000W) A3 : X92-4030-03 (DXM-6003W)
A1 : X92-4030-01 (DXM-6001W) A4 : X92-4030-04 (DXM-6004W)
A2 : X92-4030-02 (DXM-6002W) A5 : X92-4030-05 (DXM-6005W)

B0 : X92-4440-00 (DXM-6100W) B3 : X92-4440-03 (DXM-6103W)
B1 : X92-4440-01 (DXM-6101W) B4 : X92-4440-04 (DXM-6104W)
B2 : X92-4440-02 (DXM-6102W) B5 : X92-4440-05 (DXM-6105W)

X92-4030-0x
X92-4440-0x

SPECIFICATIONS

Laser Diode.....	GaAIAs ($\lambda=780\text{nm}$)
Digital Filter (D/A).....	8 Times Over Sampling
D/A Converter	1 Bit
Spindle Speed	500~200 (CLV)
Wow & Flutter	Below Measurable Limit
Frequency Response.....	10-20kHz ($\pm 1\text{dB}$)
THD.....	0.01% (1kHz)
S/N Ratio (dB).....	96dB (1kHz)
Dynamic Range	93dB
Channel Separation.....	85dB

KENWOOD follows a policy of continuous advancements in development. For this reason specifications may be changed without notice.

KENWOOD CORPORATION

14-6, Dogenzaka 1-chome, Shibuya-ku, Tokyo 150-8501 Japan

KENWOOD SERVICE CORPORATION

P.O. BOX 22745, 2201 East Dominguez Street, Long Beach, CA90801-5745, U.S.A.

KENWOOD ELECTRONICS CANADA INC.

6070 Kestrel Road, Mississauga, Ontario, Canada L5T 1S8

KENWOOD ELECTRONICS LATIN AMERICA S.A.

P.O. Box 55-2791 Paitilla, Plaza Credicorp Bank Panama,
Piso 9, Oficina 901, Calle 50, Panama, Rep. de Panama

KENWOOD ELECTRONICS BRASIL LTDA.

Alameda Ministro Rocha Azevedo No. 456,
Edifício Jaú, 10o Andar, Cerqueira César, Cep 0140-001,
São Paulo-SP-Brasil

KENWOOD ELECTRONICS UK LIMITED

Kenwood House, Dwight Road, Watford, Herts, WD1 8EB, United Kingdom

KENWOOD ELECTRONICS DEUTSCHLAND GMBH

Rembrücker-Str. 15, 63150 Heusenstamm, Germany

KENWOOD ELECTRONICS FRANCE S.A.

13, Boulevard Ney, 75018 Paris, France

KENWOOD ELECTRONICS BELGIUM N.V.

Leuvensesteenweg 248 J, 1800 Vilvoorde, Belgium

KENWOOD ELECTRONICS ITALIA S.p.A.

Via G. Sirtori 7/9, 20129 Milano, Italy

KENWOOD IBÉRICA S.A.

Bolivia, 239-08020 Barcelona, Spain

KENWOOD ELECTRONICS AUSTRALIA PTY. LTD. (A.C.N. 001 499 074)

16 Giffnock Avenue, Centrecourt Estate, North Ryde,
N.S.W. 2113, Australia

KENWOOD ELECTRONICS (HONG KONG) LTD.

Unit 3712-3724, Level 37, Tower 1, Metroplaza, 223 Hing Fong Road, Kwai Fong, N.T.,
Hong Kong

KENWOOD ELECTRONICS GULF FZE

P.O. Box 61318, Jebel Ali, Dubai, U.A.E.

KENWOOD ELECTRONICS (THAILAND) CO., LTD.

2019 New Pechburi Road, Bangkok, Huaykwang, Bangkok, 10320 Thailand

KENWOOD ELECTRONICS SINGAPORE PTE. LTD.

1 Genting Lane, #07-00, Kenwood Building, Singapore, 349544

KENWOOD ELECTRONICS (MALAYSIA) SDN BHD

#4.01 Level 4, Wisma Academy Lot 4A, Jalan 19/1, 46300 Petaling Jaya, Selangor Darul Ehsan,
Malaysia