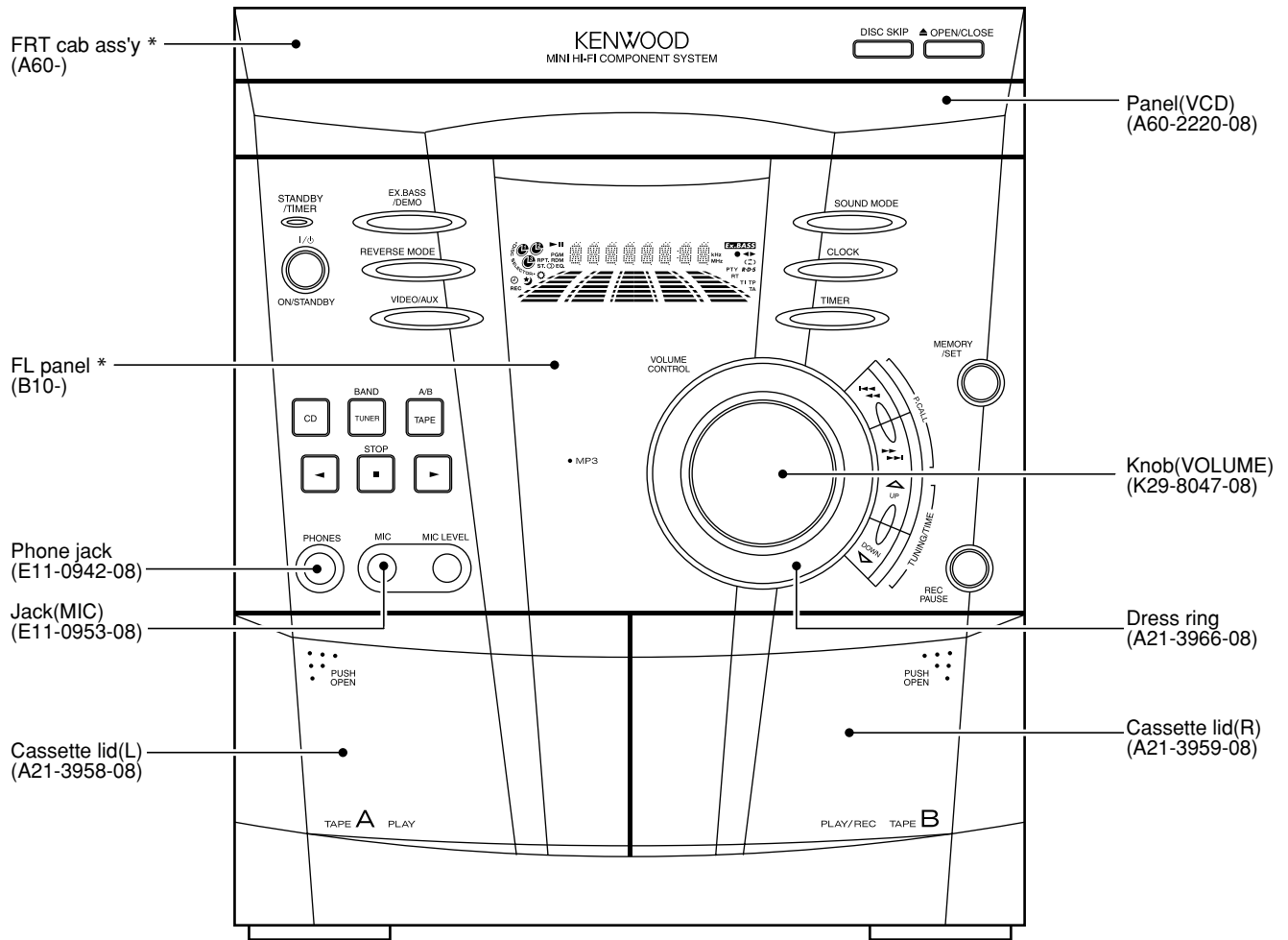


RXD-V252/V252-H

SERVICE MANUAL

(XD-V252)**

© 2001-10 PRINTED IN KOREA
B51-5759-00 (K/K) 404



**Refer to page 2 if you want to know system configuration.

* Refer to parts list on page 27.

In compliance with Federal Regulations, following are reproduction of labels on, or inside the product relating to laser product safety.

KENWOOD-Corp. certifies this equipment conforms to DHHS Regulations No.21 CFR 1040. 10, Chapter 1, subchapter J.

DANGER : Laser radiation when open and interlock defeated. AVOID DIRECT EXPOSURE TO BEAM.



RXD-V252/V252-H

CONTENTS / ACCESSORIES / CAUTIONS

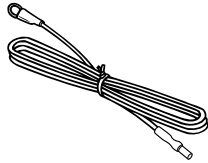
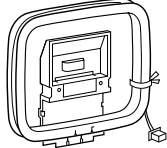
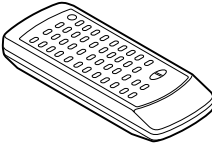
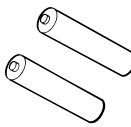
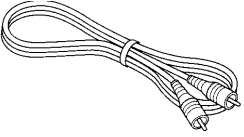
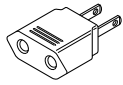
Contents

CONTENTS / ACCESSORIES / CAUTIONS.....	2	PC BOARD	9
EXTERNAL VIEW	3	SCHEMATIC DIAGRAM	15
CIRCUIT DESCRIPTION	4	EXPLODED VIEW	25
ADJUSTMENT	7	PARTS LIST.....	27
WIRING DIAGRAM	8	SPECIFICATIONS	Back cover

Attention

Please contact our KENWOOD Service Department in your side if you want the service information; Circuit Description. Full Described Parts list and so. Information is available to you by internet from us.

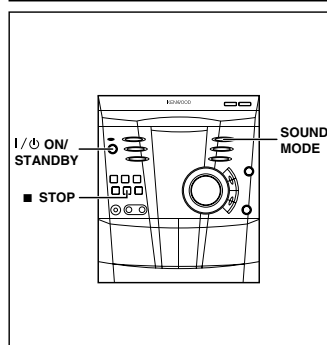
Accessories

<p>FM Antenna(1) (T90-0883-08)</p> 	<p>AM Loop Antenna(1) (T90-0879-08)</p> 	<p>Remote Control(1) (A70-1574-08)</p> 	<p>"AA" size battery(2) (UM/SUM-3, R6, HP-7 or similar)</p> 
<p>Video Cable(1) (E30-7255-08)</p> 	<p>AC Plug Adaptor (1) (E03-0115-05)</p>  <p>Use to adapt the plug on the power cord to the shape of the wall outlet. (Accessory only for regions where use is necessary.)</p>		

System Configurations

Model	Color	M(General Market)	I(Malaysia)
RXD-V252	Blue	-	I
RXD-V252-H	Gray	M	I2

RESETTING THE MICROCOMPUTER



Reset the microcomputer under the following conditions :

- To erase all of the stored memory contents (clock and timer settings, and tuner and CD presets).
 - If the display is not correct.
 - If the operation is not correct.
- Press the I/φ ON/STANDBY button to enter the standby mode.
 - Whilst pressing down the ■ STOP button and the SOUND MODE button, hold down the I/φ ON/STANDBY button for at least 1 second.
- "CLEAR AL" will appear .

Caution :

- The operation explained above will erase all data stored in memory including clock and timer settings, and tuner and CD presets.

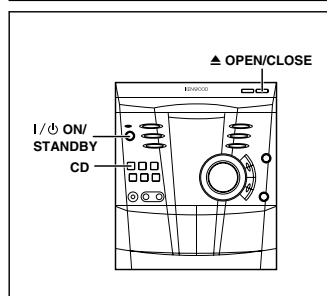
Cautions

The marking of products using lasers
(Except for some areas)

**CLASS 1
LASER PRODUCT**

The marking is located on the rear panel and says this product has been classified as Class 1. It means that there is no danger of hazardous radiation outside the product

TRANSPORTING THE UNIT

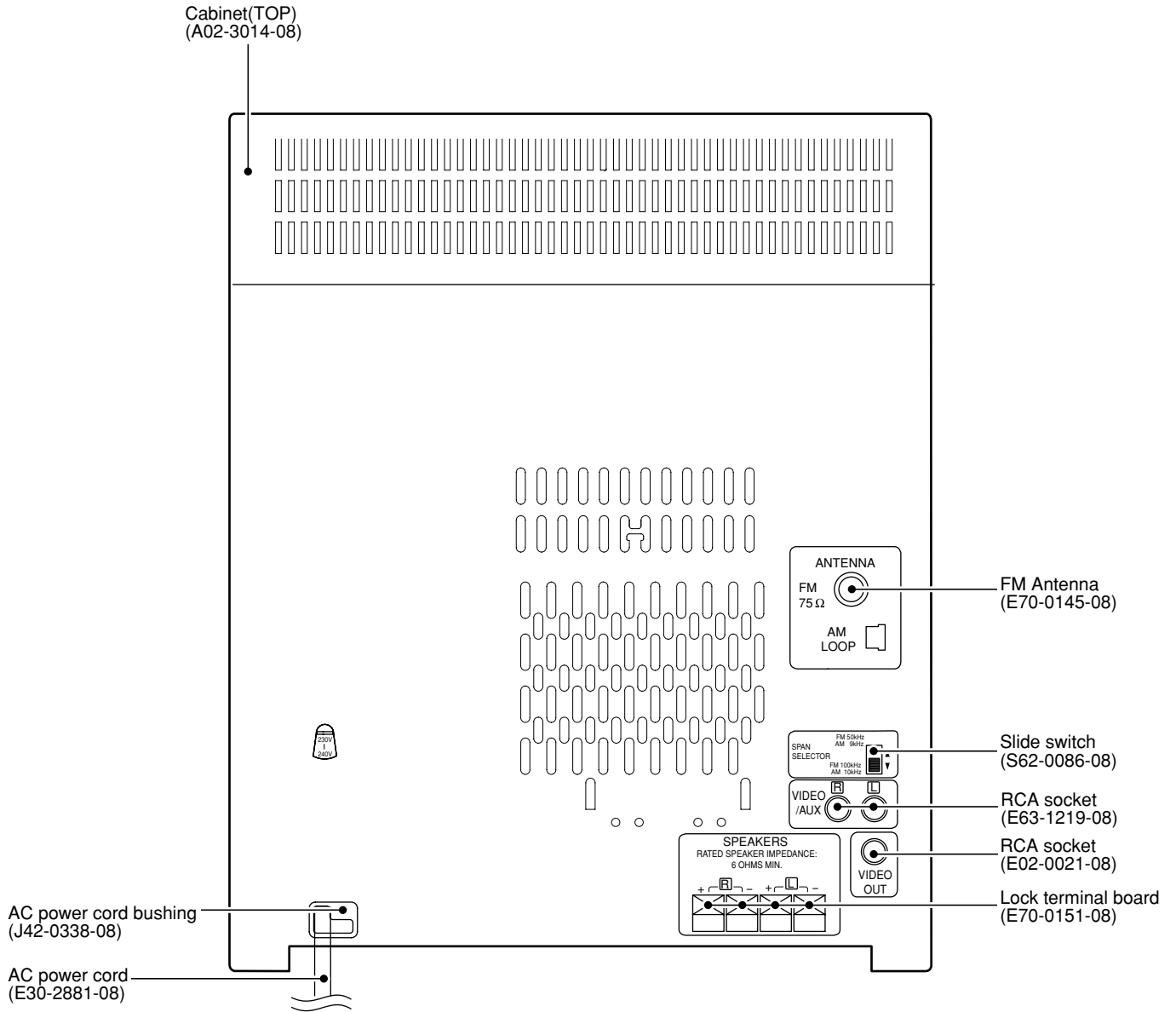


Before you move this product to a new location, proceed as follows :

- Press the I/φ ON/STANDBY button to turn the power on.
- Press the CD button.
- Press the ▲ OPEN/CLOSE button to open the disc tray.
- Remove all CDs inserted in the unit.
- Press the ▲ OPEN/CLOSE button to close the disc tray.
- Make sure that "NO DISC" is displayed.
- Press the I/φ ON/STANDBY button to enter the standby mode and then unplug the AC power cord from the AC socket.

RXD-V252/V252-H

EXTERNAL VIEW



* Refer to parts list on page 27.

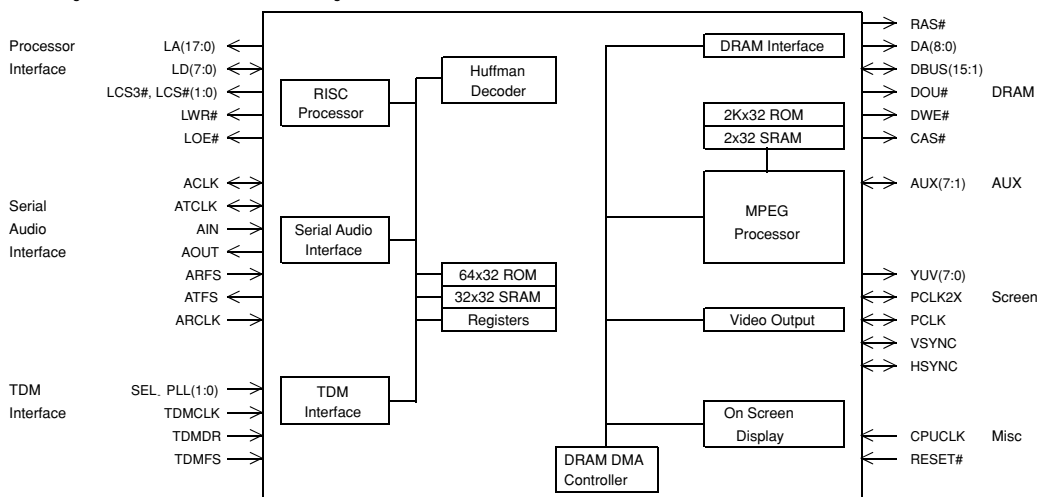
RXD-V252/V252-H

CIRCUIT DESCRIPTION

Port Function of MPEG1 Video/Audio Processing : ES3880 (ICM2)

Port No.	Port Name	I/O	Function
1,31,51	VCC3	-	Supply voltage for 3.3V.
2	RAS#	O	DRAM row address strobe (active low).
3	DWE#	O	DRAM write enable (active low).
4~12	MA(0~8)	O	DRAM multiplexed row and column address bus.
13~28	DBUS(0~15)	I/O	DRAM data bus.
29	RESET#	I	System reset (active low).
30,50,80,100	GND	-	Ground.
32~39	YUV(0~7)	O	Y is luminance, UV are chrominance data bus for screen video interface. YUV(0~7) for 8 bit YUV mode.
40	VSYNC	I/O	Vertical sync for screen video interface, programmable for rising or falling edge.
41	HSYNC	I/O	Horizontal sync for screen video interface, programmable for rising or falling edge.
42	CPUCLK	I	RISC and system clock input.
43	PCLK2X	I/O	Pixel clock: two times the actual pixel clock for screen video interface.
44	PCLK	I/O	Pixel clock qualifier in for screen video interface.
45~49,52,53,54	AUX(0~7)	I/O	Auxiliary control pins (AUX0 and AUX1 are open collectors).
55~62	LD(0~7)	I/O	RISC interface data bus.
63	LWR#	O	Unused.
64	LOE#	O	RISC interface output enable (active low).
65,66,67	LCS(3,1,0)#	O	RISC interface chip select (active low).
68~79,82~87	LA(0~17)	O	RISC interface address bus.
81	VCC	-	Digital supply voltage for 5.0V.
88	ACLK	I/O	Master clock for external audio DAC(8.192MHz, 11.2896MHz, 12.288MHz, 16.9344MHz, and 18.432MHz).
89	AOUT/SEL/PLL0	O	Dual-purpose pin. AOUT is the audio interface serial data output.
		I	Pins SEL -PLL(1: 0) select phase-lock loop(PLL) clock frequency CPUCLK for the Visba : 00 = bypass PLL 01 = 54MHz PLL 10 = 67.5MHz PLL 11 = 81MHz PLL
90	ATCLK	I/O	Audio transmit bit clock.
91	ATFS/SEL/PLL1	O	Dual-purpose pin. ATFS is the audio interface transmit frame sync.
		I	Pins SEL -PLL(1: 0) select phase-lock loop(PLL) clock frequency CPUCLK for the Visba. See the SEL -PLL0 pin above for the settings.
92	DOE	O	Dual-purpose pin. DRAM output enable (active low)/DRAM multiplexed row and column address bus.
93	AIN	I	Audio interface serial data input.
94	ARCLK	I	Audio receive bit clock.
95	ARFS	I	Audio interface receive frame sync.
96	TDMCLK	I	TDM interface serial clock.
97	TDMDR	I	TDM interface serial data receive.
98	TDMFS	I	TDM interface frame sync.
99	CAS#	O	DRAM column address strobe bank 0 (active low).

Block Diagram for MPEG1 Video/Audio Processing



RXD-V252/V252-H

CIRCUIT DESCRIPTION

Port Function of DAC & TV Encoder : ES3889 (ICM3)

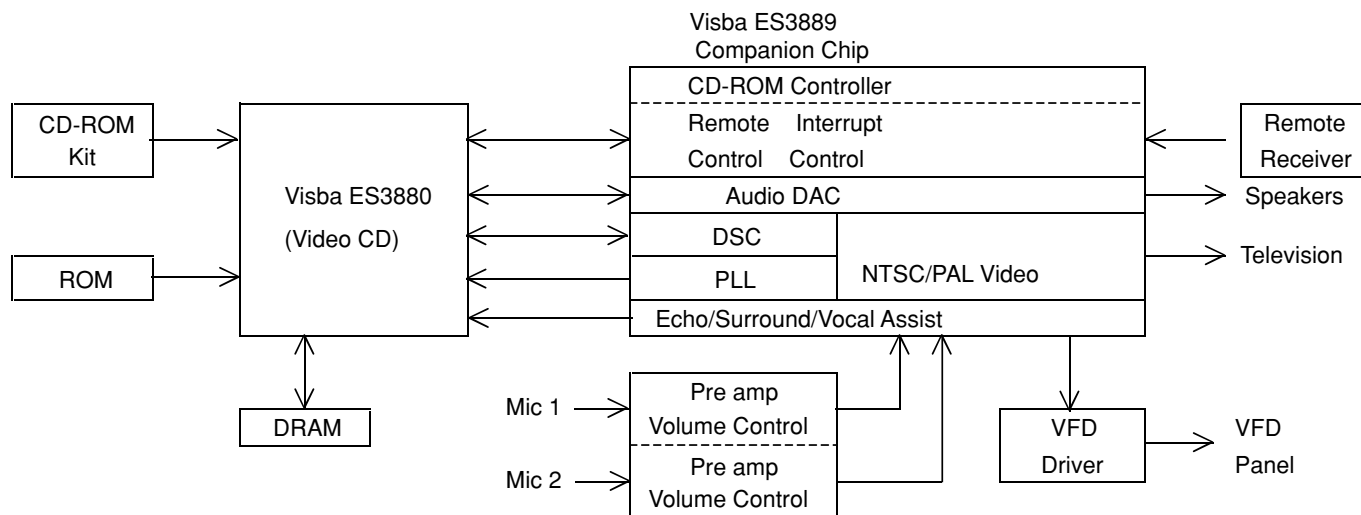
Port No.	Port Name	I/O	Function
1,25,26,31,72 75,77,91,100	VSS	I	Ground.
5,16,32,66 73, 78,90	VCC	I	Supply voltage for 5.0v.
6	DSC C	I	Clock for programming to access internal registers.
7	AUX0	I/O	Unused.
9	AUX1	I/O	Servo reverse or control pin.
11	AUX2	I/O	Servo LD ON or control pin.
70	AUX3	I/O	Unused.
69	AUX4	I/O	Servo CCW/Close or control pin.
68	AUX5	I/O	Unused.
67	AUX6	I/O	Servo XLAT or control pin/VFD DO.
14	AUX7	I/O	Servo BRKM/Sense or control pin/VFD DI.
18	AUX8	I/O	Servo Mute/Open or control pin/VFD CLK.
20	AUX9	I/O	Servo SQS0 or control pin.
34	AUX10	I/O	Unused.
35	AUX11	I/O	Unused.
36	AUX12	I/O	Unused.
38	AUX13	I/O	Serial interrupt/CD Mute or control pin.
39	AUX14	I/O	Unused.
40	AUX15	I/O	Unused.
8,81,83,85 93,95,97,99	DSC D(7~0)	I/O	Data for programming to access internal registers.
10	DSC S	I	Strobe for programming to access internal registers.
12	DCLK	O	Dual purpose pin. DCLK is the MPEG decoder clock.
	EXT CLK	I	EXT CLK is the external clock EXT CLK is an input during bypass PLL mode.
13	RESET B	I	Video reset (active low).
15	MUTE	O	Audio mute.
17	MCLK	I	Audio master clock.
19	TWS	I	Dual purpose pin. TWS is the transmit audio frame sync.
	SPLL OUT	O	SPLL OUT is the select PLL output.
21	TSD	I	Transmit audio data input.
22	TBCK	I	Transmit audio bit clock.
23	RWS SEL PLL1	O	Dual purpose pin. RWS is the receive audio frame sync.
		I	Pins SEL PLL (1,0) select the PLL clock frequency for the DCLK output.
			SEL PLL1 SEL PLL0 DCLK
			0 0 Bypass PLL (input mode)
			0 1 27MHz (output mode)
	1 0 32.4MHz (output mode)		
	1 1 40.5MHz (output mode)		
24	RSTOUT B	O	Reset output (active low).
2~4,27~30 76	NC	-	Unused.
33	RSD	O	Dual purpose pin. RSD is the receive audio data input.
	SEL PLL0	I	SEL PLL0 along with SEL PLL1 select the PLL clock frequency for the DCLK output.
37	RBCK	O	Dual purpose pin. RBCK is the receive audio bit clock.
	SER IN	I	SER IN is the serial input DSC mode.
41,51	AGND	I	Audio analog ground.
42	VCM	I	ADC common mode reference (CMR) buffer output.
43	VREFP	I	DAC and ADC maximum reference.
44	VCCAA	I	Analog VCC(5V).
45,46	AOR+, AOR-	O	Right channel output.
47,48	AOL-, AOL+	O	Left channel output.
49	MIC1	I	Microphone input 1.
50	MIC2	I	Microphone input 2.

RXD-V252/V252-H

CIRCUIT DESCRIPTION

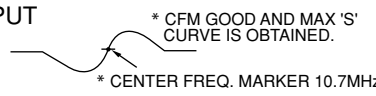
Port No.	Port Name	I/O	Function
52	VREF	I	Internal resistor divider generators common mode reference(CMR) voltage.
53	VREFM	I	DAC and ADC minimum reference.
54	RSET	I	Full scale DAC current adjustment.
55	COMP	I	Compensation pin.
56,57,62,63	VGND	I	Video analog ground.
58	CDAC	O	Modulated chrominance output.
59,60	VVDD	I	Video VCC(5V).
61	YDAC	O	Y luminance data bus for screen video port.
64	VDAC	O	Composite video output.
65	ACAP	I	Audio CAP.
71	XOUT	O	Crystal output.
74	XIN	I	27MHz crystal input.
79	PCLK	I/O	13.5MHz pixel clock.
80	2XPCLK	I/O	27MHz (2 times pixel clock).
82	HSYN B	O	Horizontal sync (active low).
84	VSYN B	O	Vertical sync (active low).
86~89,92 94,96,98	YUV(7~0)	I	YUV data bus for screen video port.

Block Diagram for DAC & TV Encoder : ES3889 (ICM3)



RXD-V252/V252-H

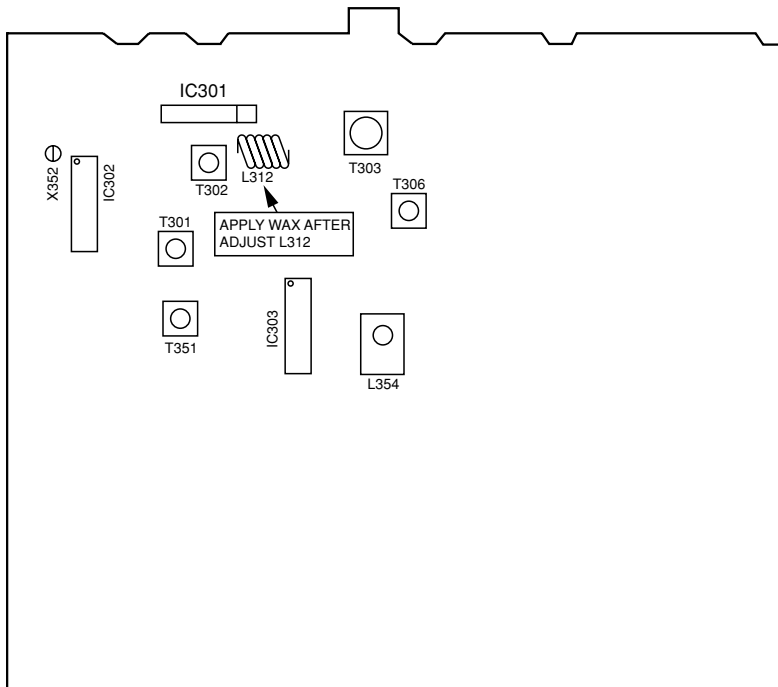
ADJUSTMENT

NO.	CHECKING ITEM	SG 'N' SET FREQ		ADJ POINT	SPEC	REMARKS
1.	FM FREQ COVERAGE	FL	87.5MHz	T301 (TP301)	$1.3V \pm 0.1V$	ADJUST UNTIL VOLTAGE IS WITHIN GIVEN SPEC
		FH	108.0MHz	(TP301)	$7.8V \pm 0.8V$	CONFIRM VOLTAGE IS WITHIN GIVEN SPEC.
2.	FM IF	-	10.7MHz	T302 (TP302)	-	ADJUST COIL T302 UNTIL MAX. OUTPUT 
3.	FM FREQ. TRACKING	-	98MHz	L312 (TP302)	-	ADJUST L312 UNTIL MAXIMUM WAVEFORM APPEAR.

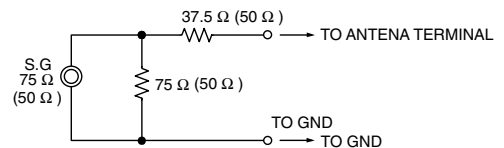
CONDITION : AM MOD 30% DEV 400Hz

NO.	CHECKING ITEM	SG 'N' SET FREQ		ADJ POINT	DC VOLTAGE SPEC	REMARKS
1.	AM FREQ COVERAGE	FL	531KHz	T306 (TP301)	$1.1V \pm 0.1V$	ADJUST UNTIL VOLTAGE IS WITHIN GIVEN SPEC.
		FH	1602KHz	(TP301)	$8.8V \pm 0.5V$	CONFIRM VOLTAGE IS WITHIN GIVEN SPEC
2.	AM IF	FL	990KHz (50dB)	T351 (TP302)	-	SP OUTPUT → ADJ T351 UNTIL MAX POINT FROM AC VOLTMETER
3.	AM FREQ. TRACKING	FL	990KHz (50dB)	TP302	-	CONFIRM MAX. OUTPUT. (ADJUST IF 'NG')

Adjustment Parts Configuration

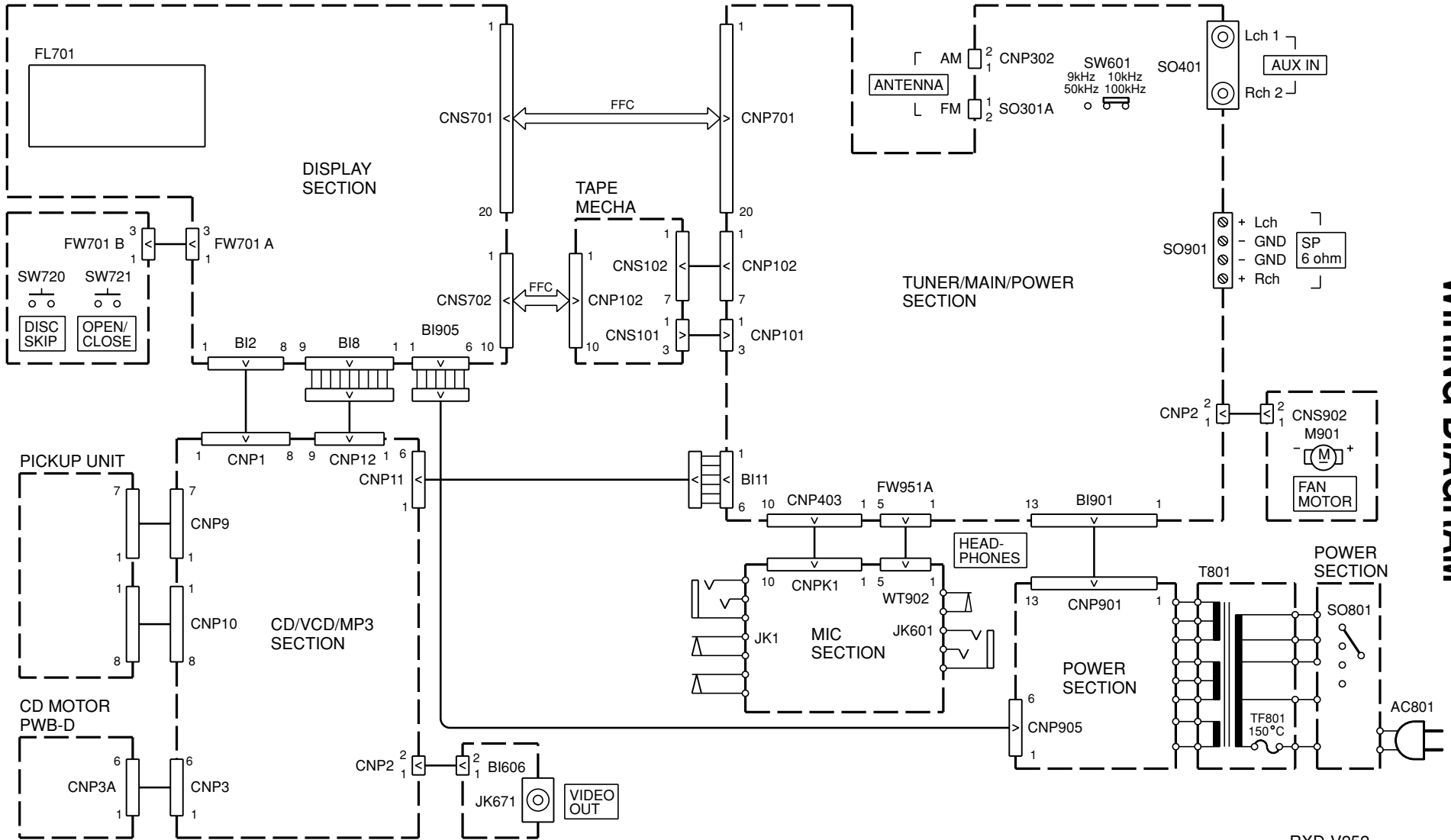


ANT DUMMY CIRCUIT FOR FM

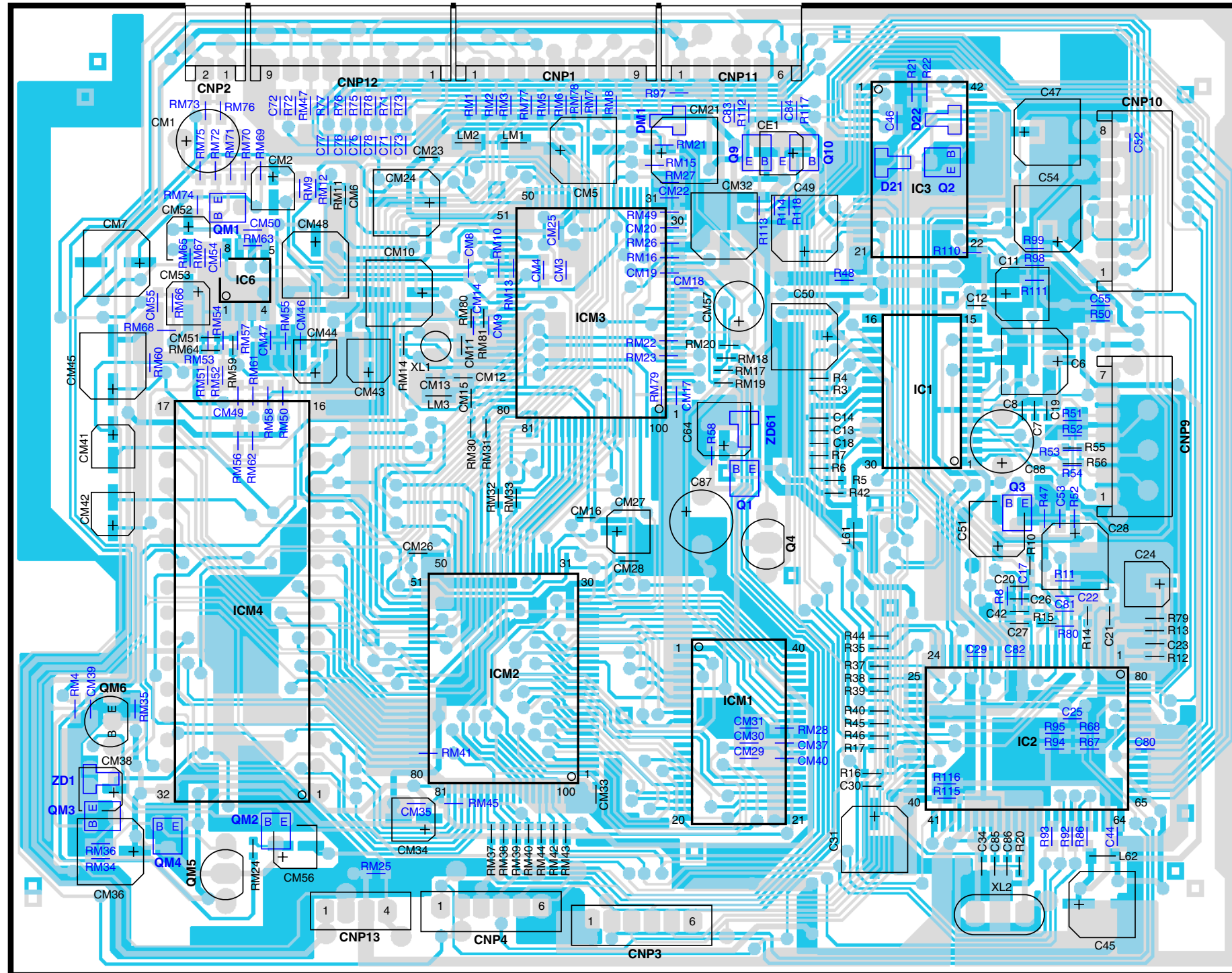


RXD-V252/V252-H

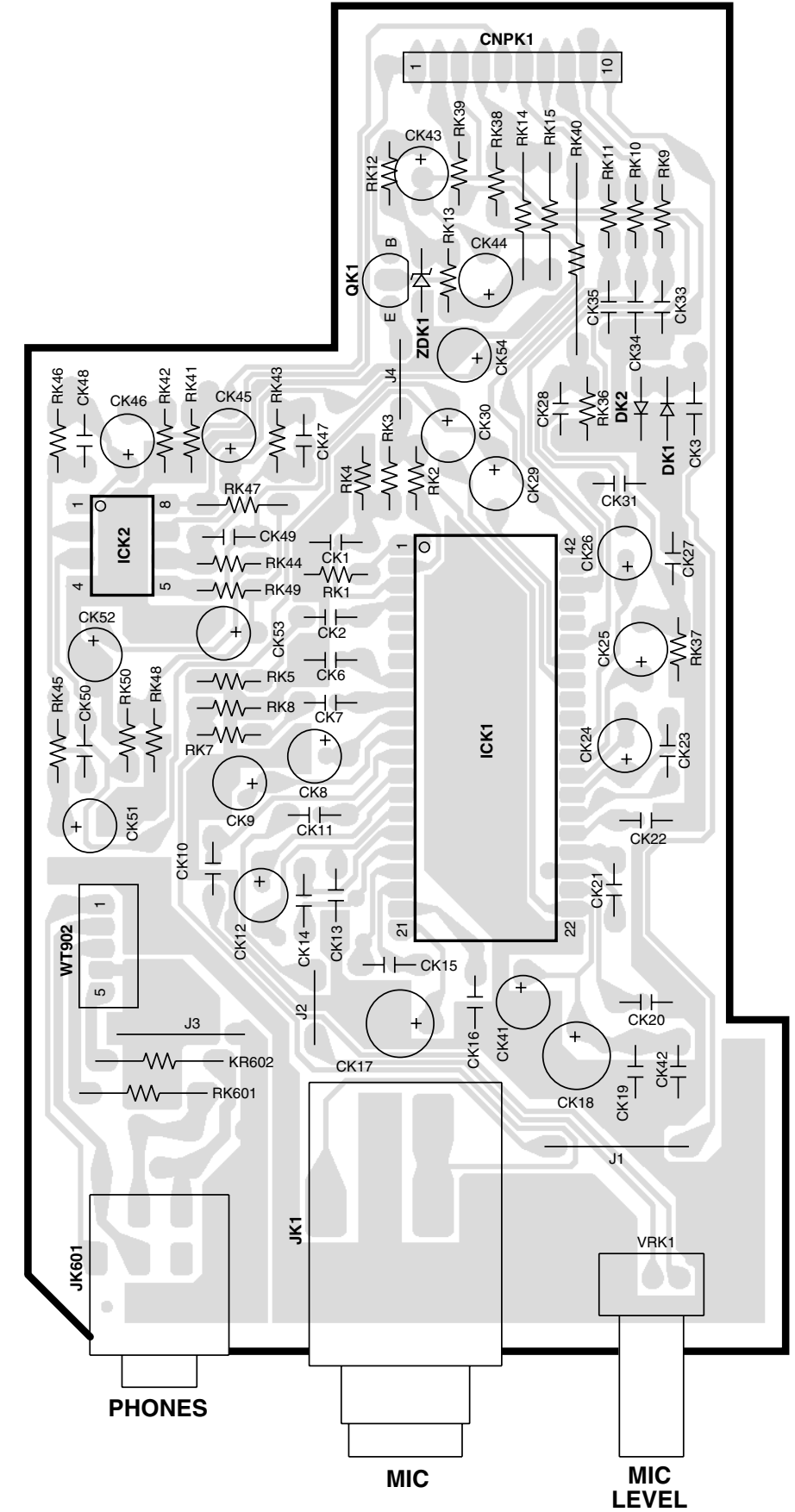
WIRING DIAGRAM



PC BOARD (Component side view)

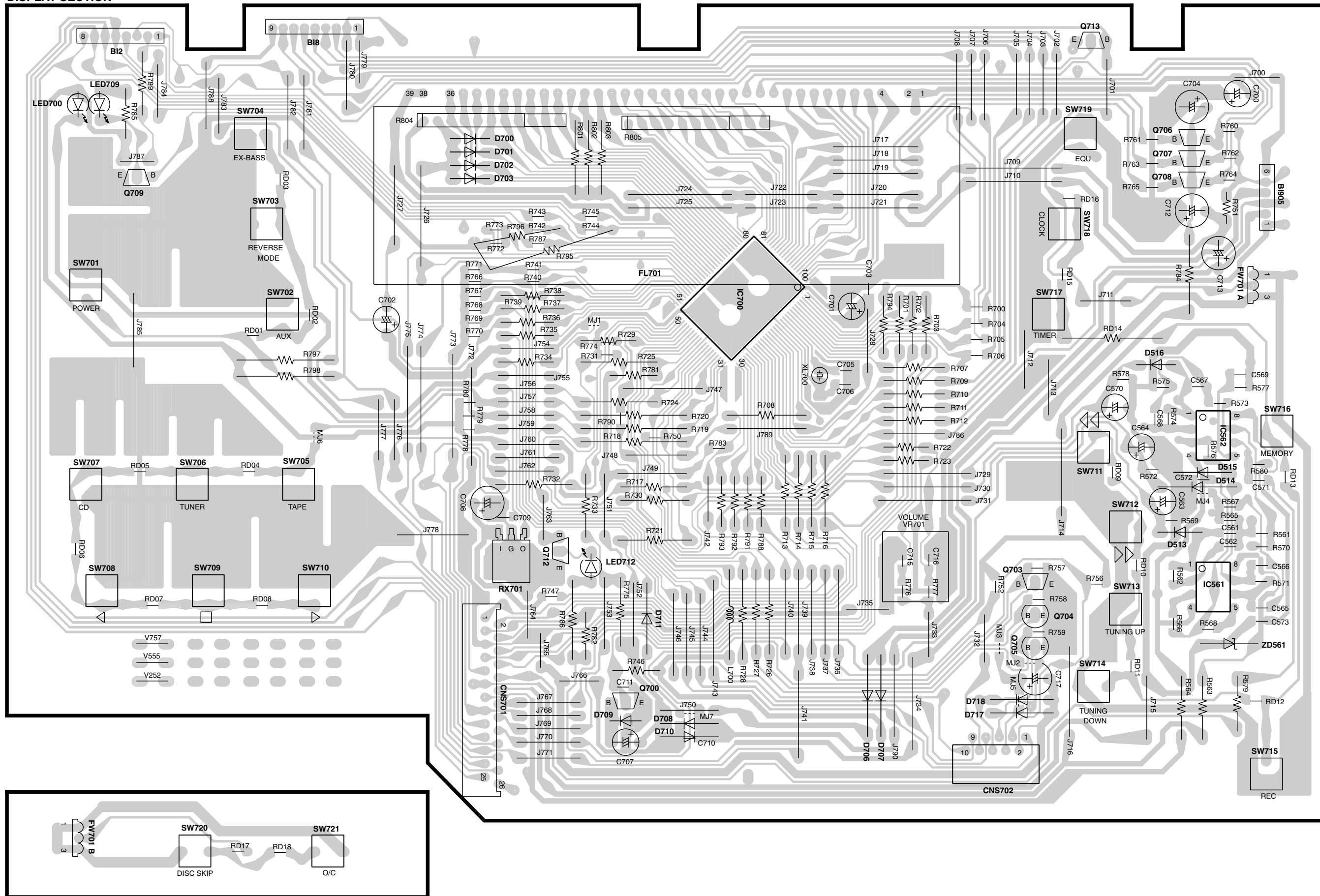


MIC UNIT



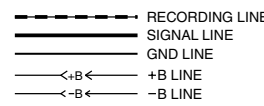
PC BOARD (Component side view)

DISPLAY SECTION

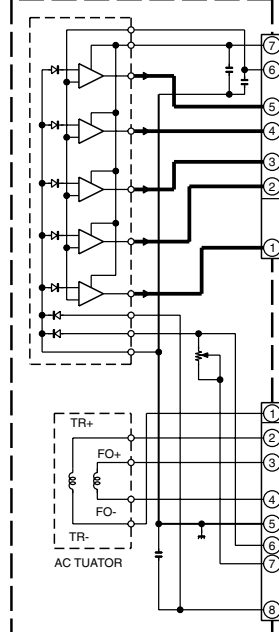


Refer to the schematic diagram for the value of resistors and capacitors.

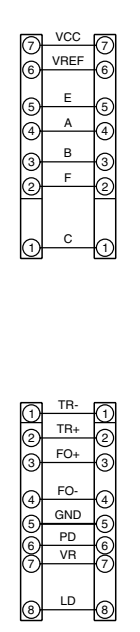
- IC1 : LA9235M
- IC2 : LC78636E
- IC3 : M63001FP
- IC6 : BA4558F
- ICM1 : 1625635T
- ICM2 : ES3880F
- ICM3 : ES3889F
- ICM4 : IX0455
- Q1 : KTC3265Y
- Q2 : KRC102S
- Q3 : KTA1504Y
- Q4,QM2 : KTC3203Y
- QM1 : 2SC3265Y
- QM2 : KTC3203Y
- QM3 : KRC104S
- QM4 : KTA1271Y
- DT1,22,DM1 : 1SS133
- ZD1 : EZ02W4R3Z
- ZD61 : EZ02W3R9Z



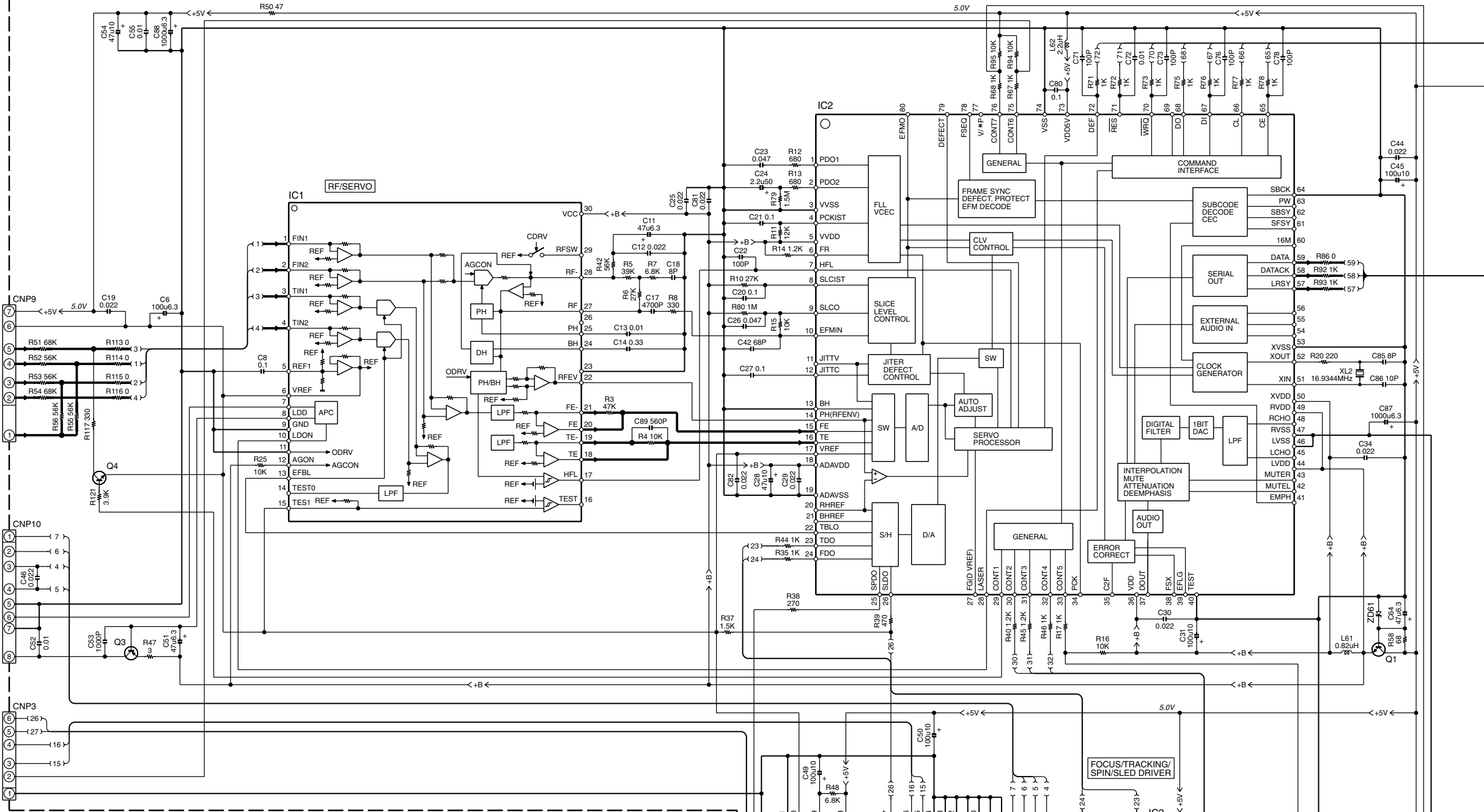
PICKUP UNIT



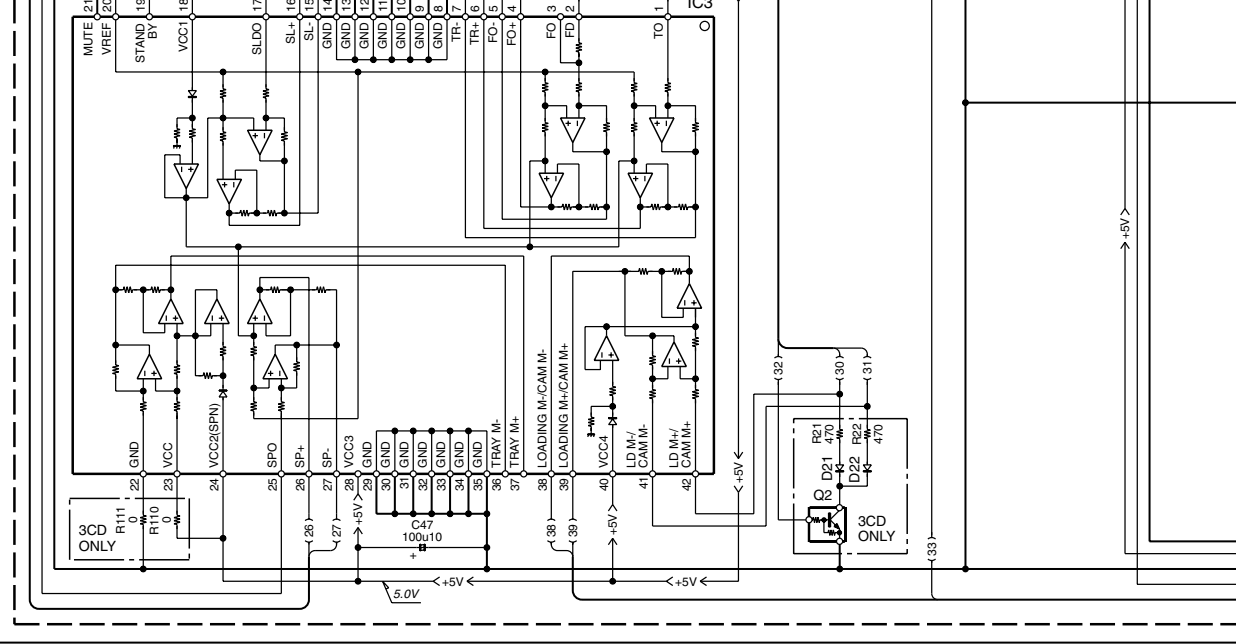
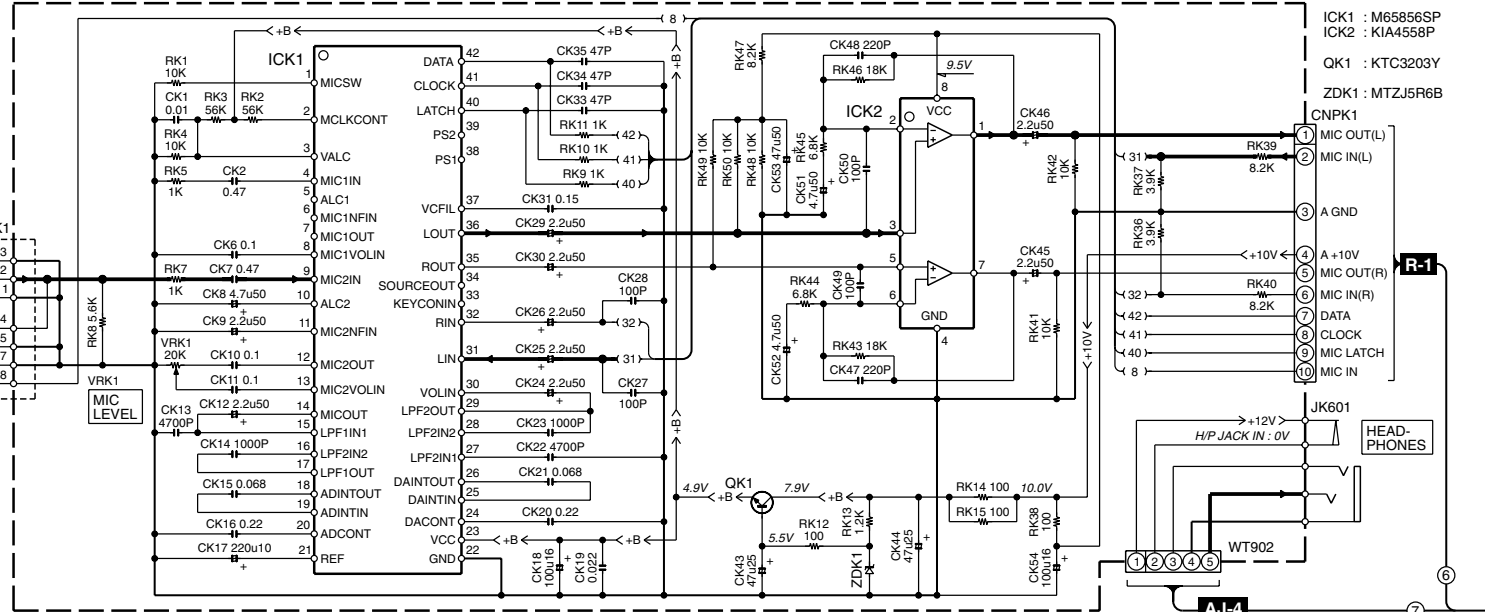
CD MOTOR PWB-D

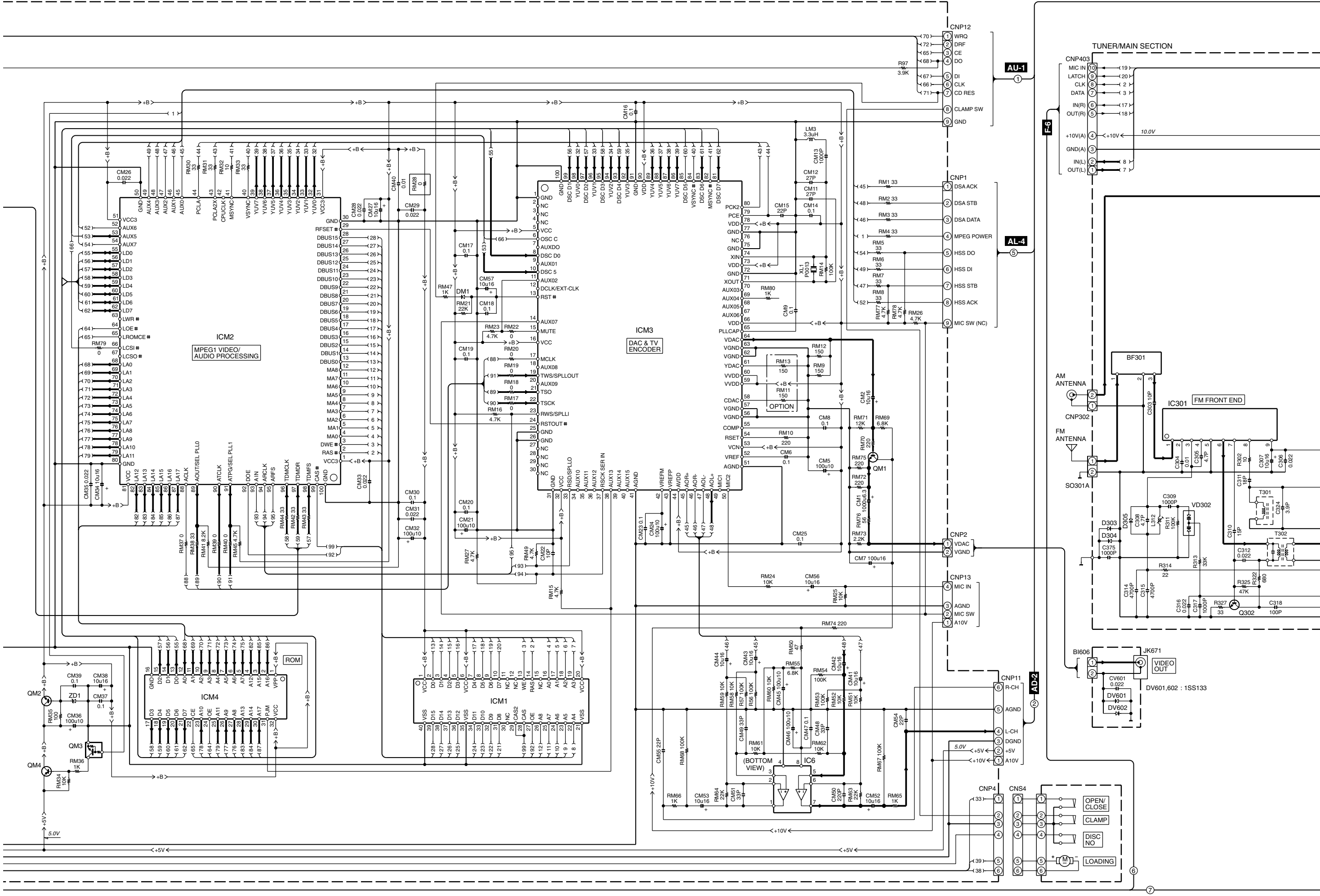


CD/VCD/MP3 SECTION

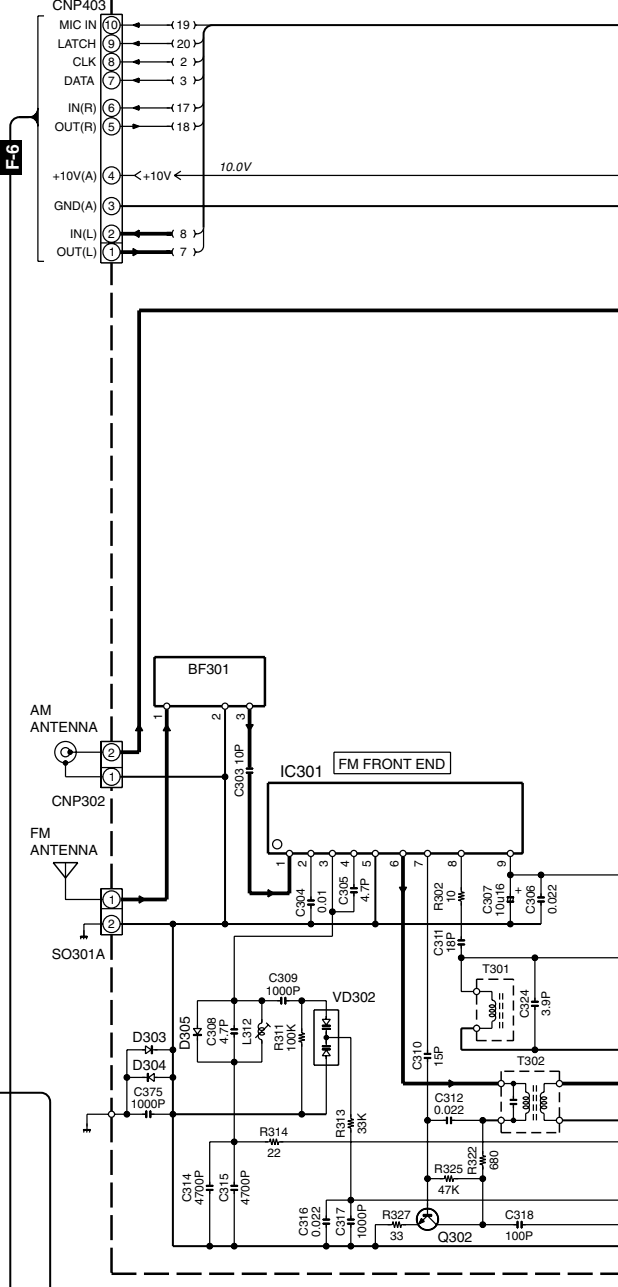


MIC SECTION

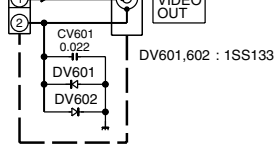




TUNER/MAIN SECTION

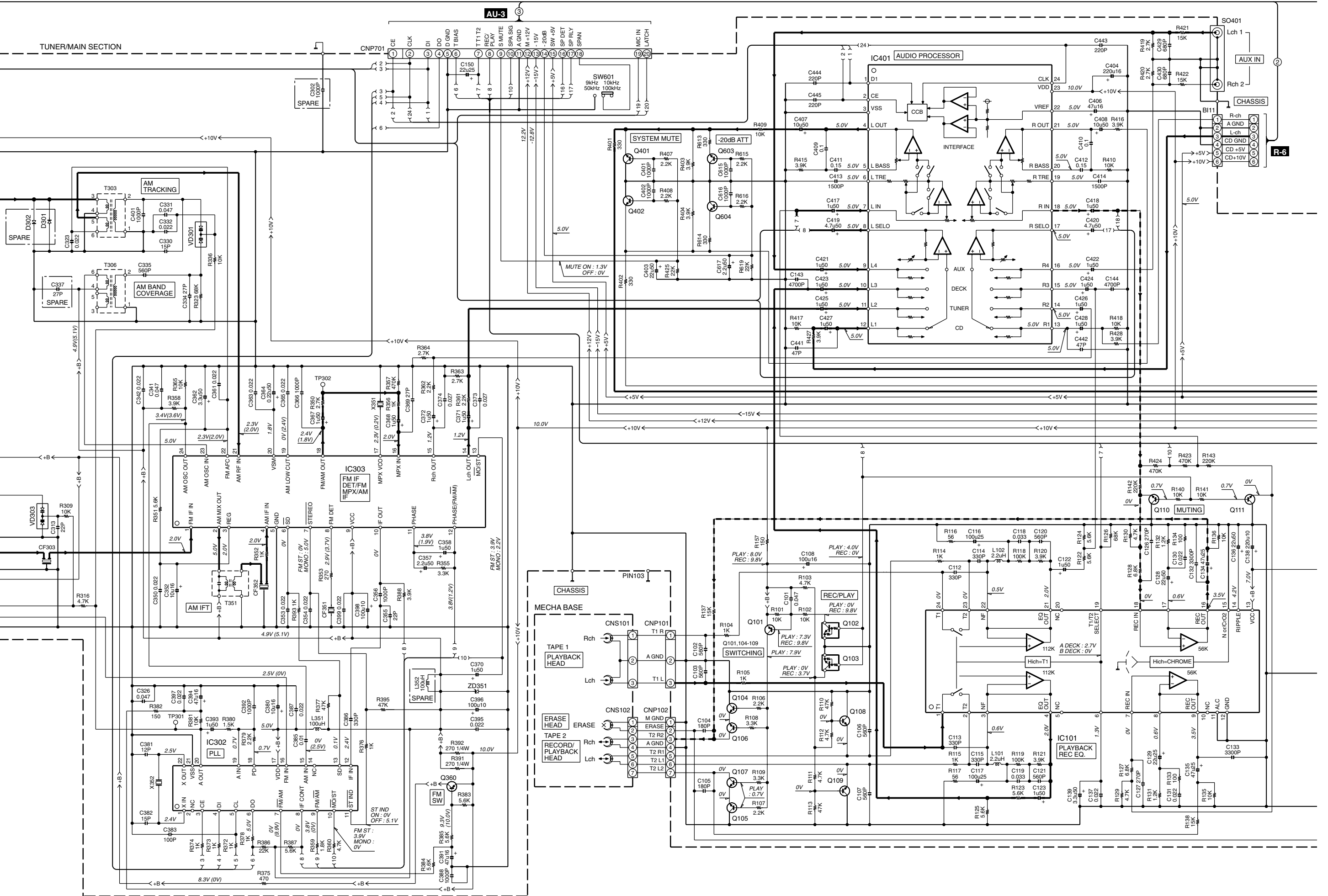


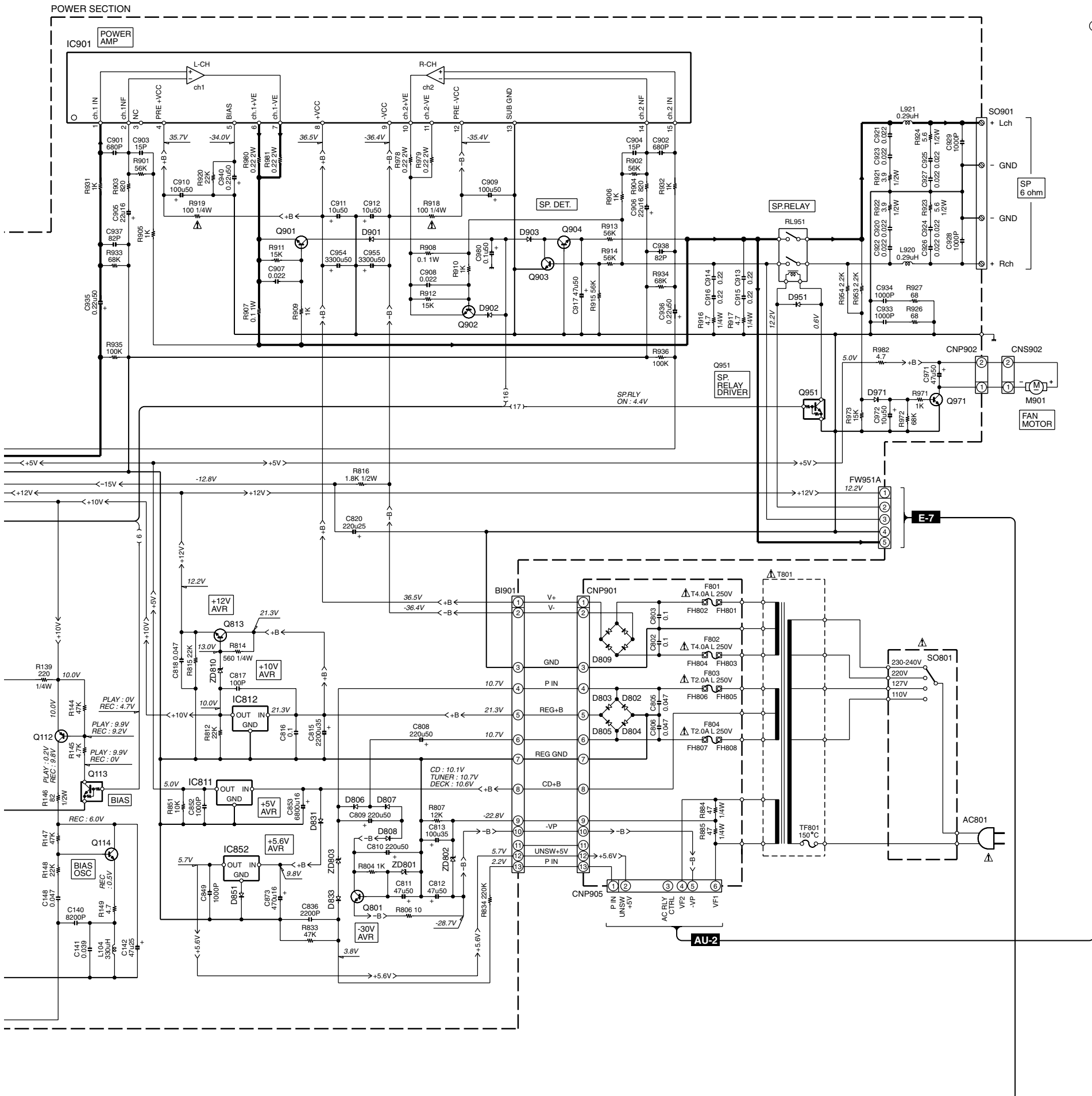
VIDEO OUT



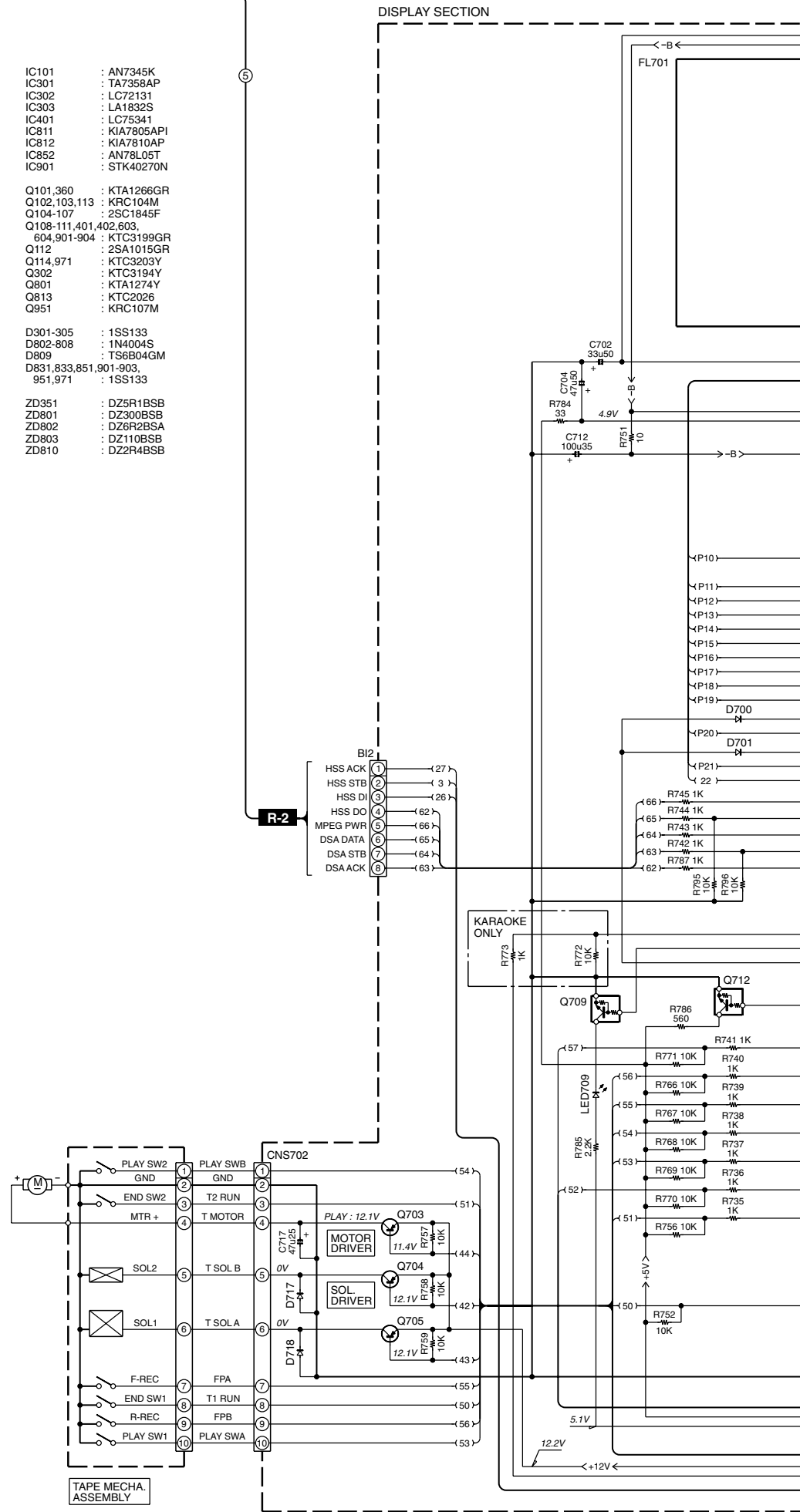
TUNER/MAIN SECTION

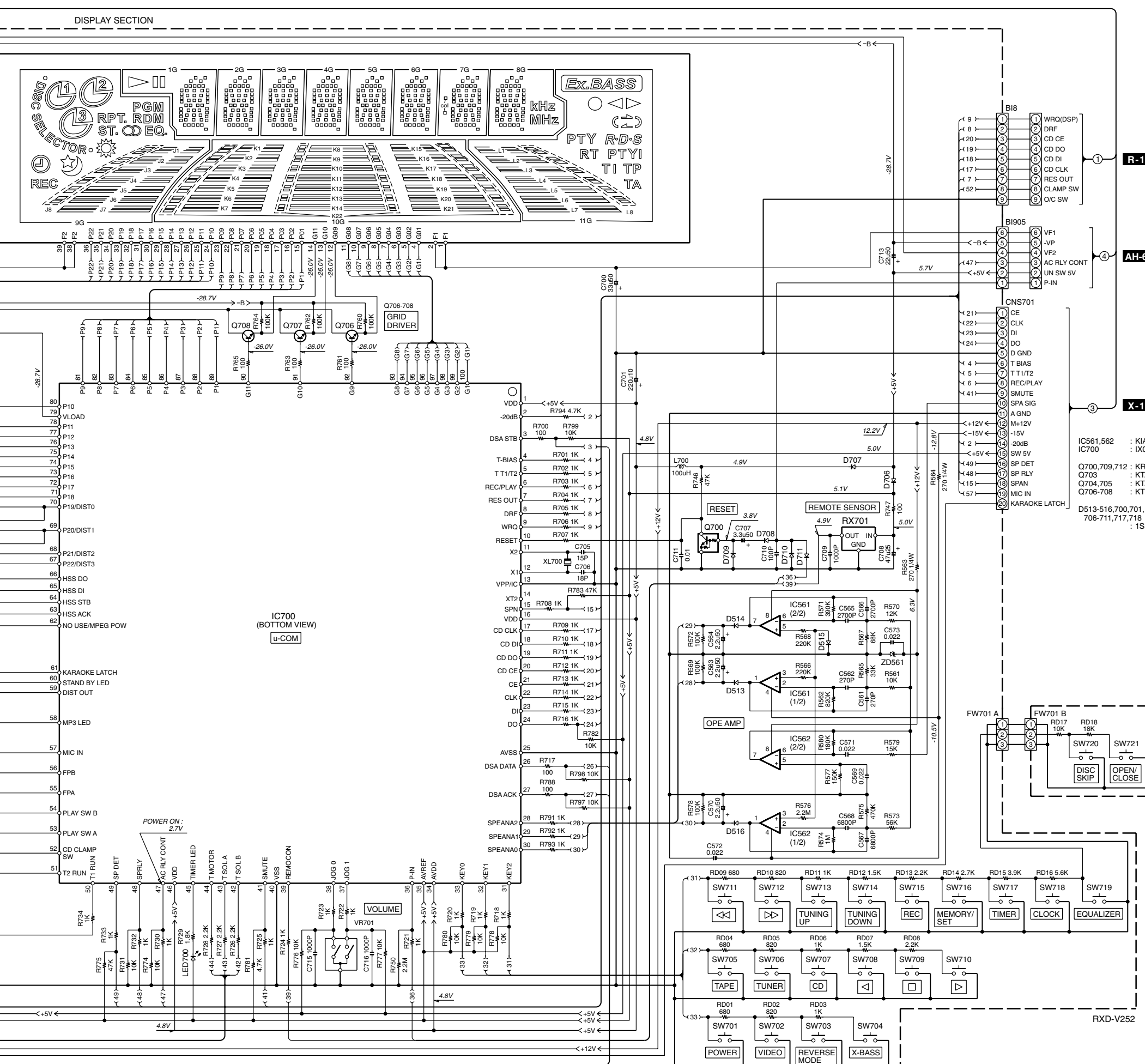
AU-3





- | | |
|-------|--------------|
| IC101 | : AN7345K |
| IC301 | : TA7358AP |
| IC302 | : LC72131 |
| IC303 | : LA1832S |
| IC401 | : LC75341 |
| IC811 | : KIA7805API |
| IC812 | : KIA7810AP |
| IC852 | : AN78L05T |
| IC901 | : STK40270N |
-
- | | | |
|-----------------------|-------------|-------------|
| Q101,360 | : KTA1266GR | |
| Q102,103,113 | : KRC104M | |
| Q104-107 | : 2SC1845F | |
| Q108-111,401,402,603, | 604,901-904 | : KTC3199GR |
| Q112 | : 2SA1015GR | |
| Q114,971 | : KTC3203Y | |
| Q302 | : KTC3194Y | |
| Q801 | : KTA1274Y | |
| Q813 | : KTC2026 | |
| Q951 | : KRC107M | |
-
- | | | |
|-----------------------|------------|----------|
| D301-305 | : 1SS133 | |
| D802-808 | : 1N4004S | |
| D809 | : TS6B04GM | |
| D831,833,851,901-903, | 951,971 | : 1SS133 |
-
- | | |
|-------|------------|
| ZD351 | : DZ5R1BSB |
| ZD801 | : DZ300BSB |
| ZD802 | : DZ6R2BSA |
| ZD803 | : DZ110BSB |
| ZD810 | : DZ2R4BSB |





- ① R-1
 - ④ AH-6
 - ③ X-1
- IC561,562 : KIA4558P
 IC700 : IX0415
- Q700,709,712 : KRC102M
 Q703 : KTA1273Y
 Q704,705 : KTA1271Y
 Q706-708 : KTC3199GR
- D513-516,700,701,
 706-711,717,718
 : ISS133

CAUTION: For continued safety, replace safety critical components only with manufacturer's recommended parts (refer to parts list). Δ indicates safety critical components. For continued protection against risk of fire, replace only with same type and rating fuse(s). To reduce the risk of electric shock, leakage-current or resistance measurements shall be carried out (exposed parts are acceptably insulated from the supply circuit) before the appliance is returned to the customer.

The DC voltage is an actual reading measured with a high impedance type voltmeter. The measurement value may vary depending on the measuring instruments used or on the product. Refer to the voltage during PLAY unless otherwise specified; The value shown in () is the voltage measured at the moment of STOP.

The DC voltage is an actual reading measured with a high impedance type voltmeter as the AM/FM signal generator is specified to the conditions as shown in the list below. The measurement value may vary depending on the measuring instruments used or on the product. The value shown in () is actual reading measured in the AM mode.

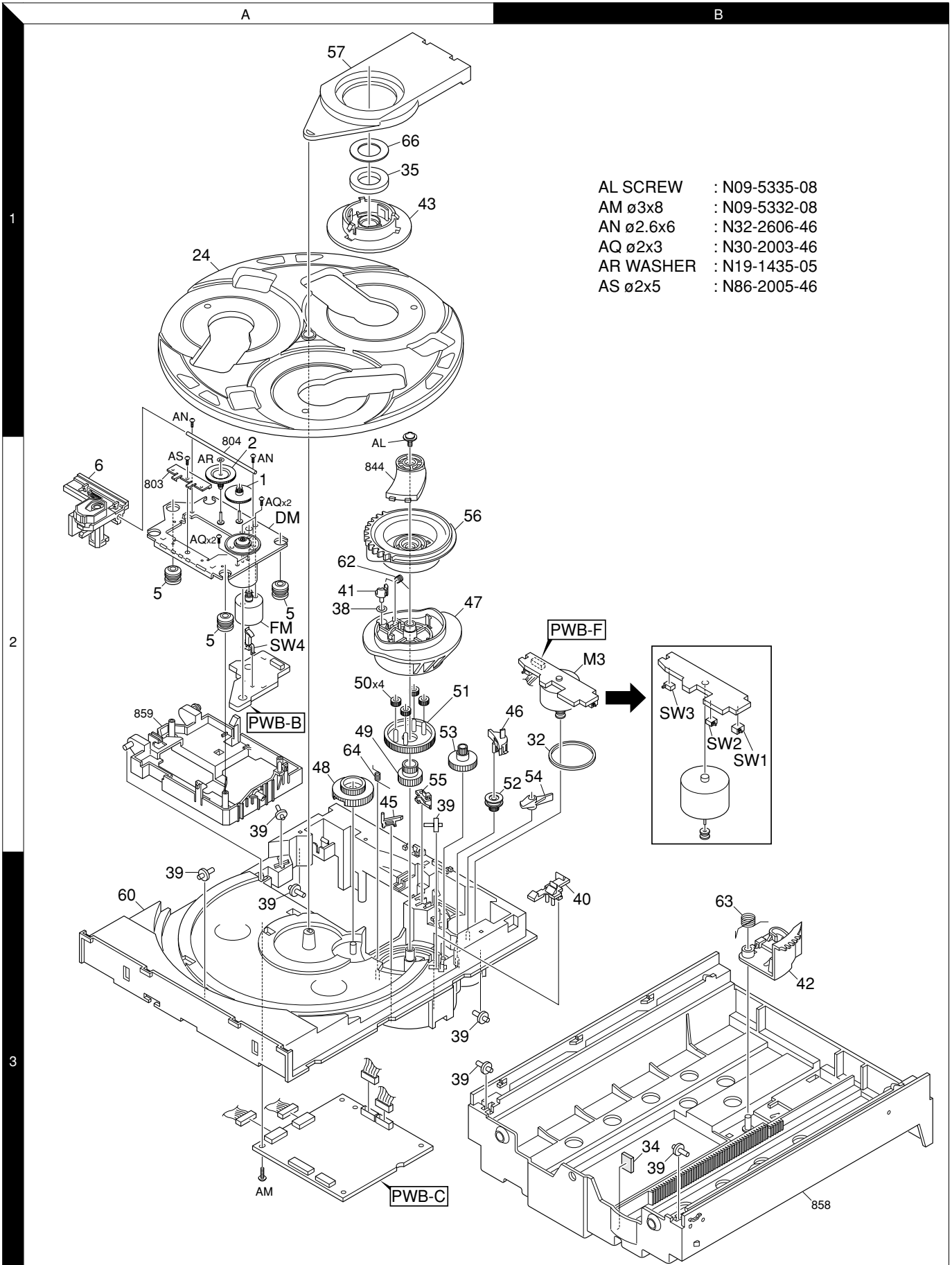
MODE	CARRIER	MODULATION		ANT INPUT
		FREQUENCY	DEVIATION	
FM	98MHz	1kHz	STEREO 67.5kHz 7.5kHz(Pilot)	60dB
AM	1000(999)kHz	400Hz	MONO 30% MOD	60dB

RXD-V252/V252-H

KENWOOD

RXD-V252/V252-H

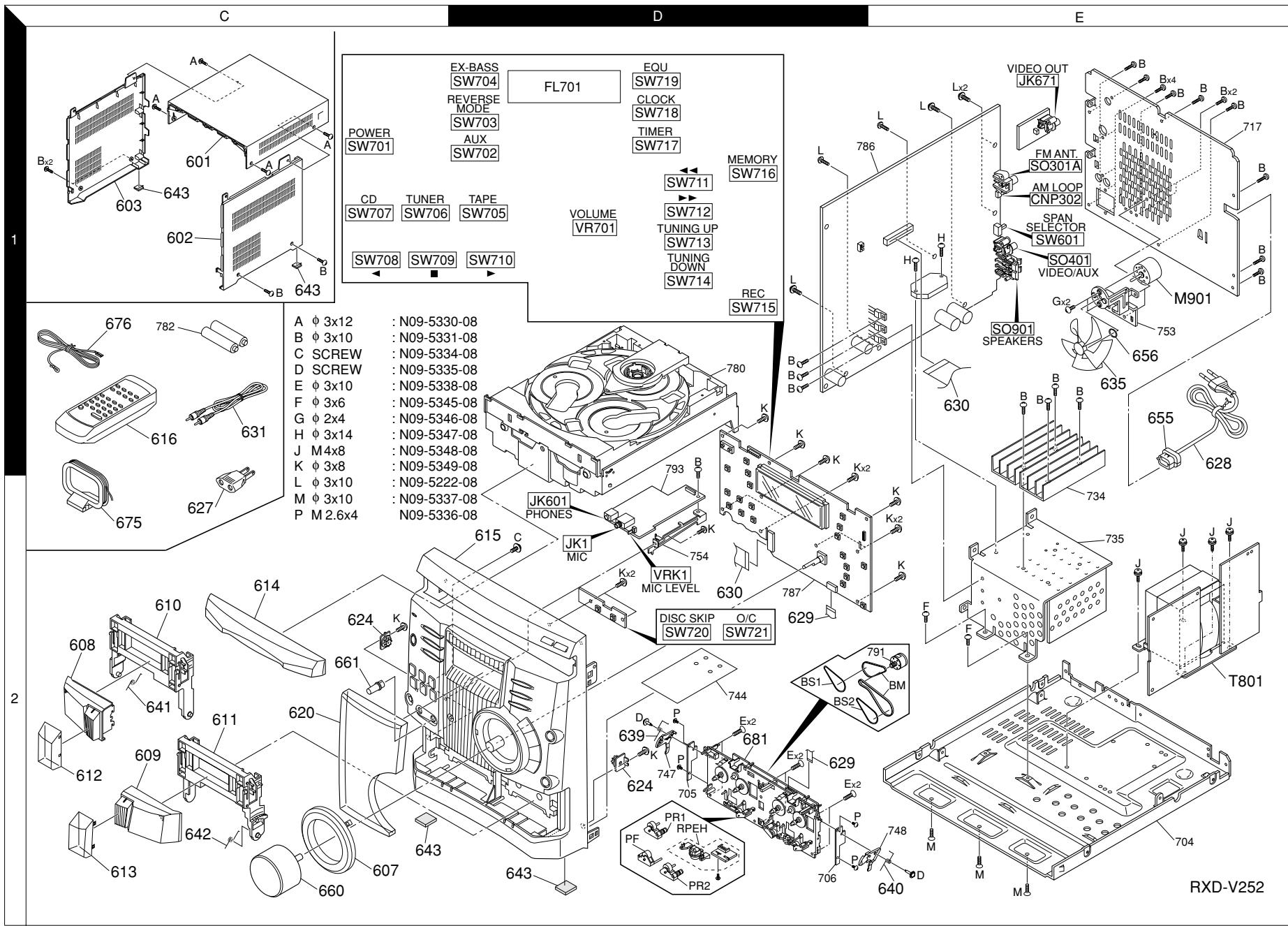
EXPLODED VIEW(CD MECHANISM)



- AL SCREW : N09-5335-08
- AM ϕ 3x8 : N09-5332-08
- AN ϕ 2.6x6 : N32-2606-46
- AQ ϕ 2x3 : N30-2003-46
- AR WASHER : N19-1435-05
- AS ϕ 2x5 : N86-2005-46

1
2
3

Parts with exploded numbers larger than 700 are not supplied.



RXD-V252

* New Parts

Parts without **Parts No.** are not supplied.
 Les articles non mentionnés dans le **Parts No.** ne sont pas fournis.
 Teile ohne **Parts No.** werden nicht geliefert.

①

Ref. No	Add-ress	New Parts	Parts No.	Description	Desti-nation	Re-marks
RXD-V252, I:RXD-V252-H, MI2 : RXD-252						
601	1C		A02-3014-08	CABINET(TOP)	GCAB-1195AWSA	
602	1C		A02-3015-08	CABINET(R)	GITAS0092AWSA	
603	1C		A02-3016-08	CABINET(L)	GITAS0075AWSA	
607	2C		A21-3966-08	DRESS RING(KNOB)	HDECQ0703AWSB	
608	2C		A21-3958-08	CASSETTE LID(L)	GCOVA1365AWSA	
609	2C		A21-3959-08	CASSETTE LID(R)	GCOVA1366AWSA	
610	2C		A53-2251-08	CASS HOLDER(L)	GDORF0104AWSA	
611	2C		A53-2252-08	CASS HOLDER(R)	GDORF0105AWSA	
612	2C		A53-2254-08	FG(CAS L)	HDECQ0700AWSA	I
612	2C		A53-2282-08	FG(CAS L)	HDECQ0700AWSB	MI2
613	2C		A53-2255-08	FG(CAS R)	HDECQ0701AWSA	I
613	2C		A53-2283-08	FG(CAS R)	HDECQ0701AWSB	MI2
614	2C	*	A60-2220-08	PANEL(VCD)	GCOVA1411AWSA	
615	2D	*	A60-2218-08	FRT CAB ASSY	CAB3587AASY1	I
615	2D	*	A60-2219-08	FRT CAB ASSY	CAB3588AASY1	MI2
616	1C	*	A70-1574-08	REMOTE CONTROL	RRMCG0275AWSA	
620	2C	*	B10-3831-08	FL PANEL	HDECQ0792AWSA	I
620	2C	*	B10-3838-08	FL PANEL	HDECQ0792AWSB	MI2
-	-	*	B60-5094-00	INST MANUAL(M)	TINSZ0719AWZZ	MI2
-	-	*	B60-5095-00	INST MANUAL(MI)	TINSZ0718AWZZ	
624	2C,2D		D39-0355-08	DAMPER	MLIFP0008AWZZ	
BM	2E		D16-0780-08	MAIN BELT	FF19N-11	
BS1	2D		D16-0782-08	SUB BELT	FF19S-51	
BS2	2D		D16-0781-08	SUB BELT	FF19S-12	
PF	2D		D14-0821-08	PINCH ASSY	F514-134	
PR1	2D		D14-0822-08	PINCH ASSY	F514-135	
PR2	2D		D14-0820-08	PINCH ASSY	F514-133	
RPEH	2D		T39-0046-08	ROTATION HEAD	F513-853	
△ 627	2C		E03-0115-05	AC PLUG	QPLGA0004AWZZ	
△ 628	1E		E30-2881-08	AC POWER CORD	QACCE0008AW00	
629	2D		E35-2991-08	FFC WIRE10P	QCNWN1913AWZZ	
630	1E,2D		E35-2992-08	FFC WIRE20P	QCNWN1914AWZZ	
631	1C	*	E30-7255-08	CDG VIDEO CRD	QCNWG0005AWZZ	
635	1E		F09-0163-08	FAN	NFANP0001AWZZ	
639	2D		G01-4280-08	SPRING	MSPRD0109AWFJ	
640	2E		G01-4281-08	SPRING	MSPRD0110AWFJ	
641	2C		G01-4293-08	SPRING	MSPRD0151AWFJ	
642	2C		G01-4294-08	SPRING	MSPRD0152AWFJ	
643	1C,2C		G13-2514-08	CUSHION(FOOT)	PCUSG0022AWZZ	
-	-		H10-7771-08	POLY FOAM FIX	SPAKA0307AWZZ	
-	-		H10-7772-08	P-ADD(TOP)	SPAKA0107AWZZ	
-	-		H10-7773-08	P-ADD(BTM)	SPAKA0108AWZZ	
-	-		H25-1706-08	BAG(UNIT)	SSAKH0061AWZZ	
-	-		H25-1707-08	BAG CAUTION	CAUT1513A	
-	-		H25-1708-08	BAG(ACCES)	SSAKA0007AWZZ	
-	-		H50-4218-08	ITEM CARTON	SPAKC0378AWZZ	
-	-	*	H50-4296-08	ITEM CARTON	SPAKC1234AWZZ	
-	-		H50-4408-08	P-CASE(MI)	SPAKC1311AWZZ	
△ 655	1E		J42-0338-08	POWER CORD BUSH	LBSHC0002AWZZ	
656	1E		J69-0223-08	RING(FAN)	CSPR1431C	

L: Scandinavia K: USA P: Canada R: Mexico C: China I: Malaysia
 Y: PX(Far East,Hawaii) T: England E: Europe G: Germany V: China(Shanghai)
 Y: AAFES(Europe) X: Australia Q: Russia H: Korea M: Other Areas △ indicates safety critical components .

* New Parts

Parts without **Parts No.** are not supplied.
 Les articles non mentionnés dans le **Parts No.** ne sont pas fournis.
 Teile ohne **Parts No.** werden nicht geliefert.

②

Ref. No	Add-ress	New Parts	Parts No.	Description	Desti-nation	Re-marks
660	2C		K29-8047-08	KNOB (VOLUME)	JKNBZ0794AWSB	
661	2C	*	K29-8153-08	MIC VOL KNOB	JKNBZ0806AWSA	
△ T801			L07-3154-08	TRANSFORMER	PTRNP0370AWZZ	
A			N09-5330-08	MACHINE SCREW	XEBSD30P12000	
B			N09-5331-08	MACHINE SCREW	XJBSD30P10000	
C			N09-5334-08	MACHINE SCREW	LX-BZ2222AXZZ	
D			N09-5335-08	MACHINE SCREW	LX-HZ0009AWFD	
E			N09-5338-08	MACHINE SCREW	XESSD30P10000	
F			N09-5345-08	MACHINE SCREW	XBHBSD30P6000	
G			N09-5346-08	MACHINE SCREW	XBBSD20P04000	
H			N09-5347-08	MACHINE SCREW	XJBSD30P14000	
J			N09-5348-08	MACHINE SCREW	XHBSD40P08000	
K			N09-5349-08	MACHINE SCREW	XEBSD30P08000	
L			N09-5222-08	MACHINE SCREW	LX-JZ0010AFFD	
M			N09-5337-08	MACHINE SCREW	XJSSD30P10000	
P			N09-5336-08	MACHINE SCREW	XHBSD26P04000	
675	2C		T90-0879-08	LOOP ANTENNA	QANTL0008AWZZ	
676	1C		T90-0883-08	FM LEAD ANTENNA	FANT1535A	
M901	1E		T41-0142-08	MOTOR(FAN)	RMOTV0027AWZZ	
681	2D		W04-0019-08	MECHANISM(CAS)	KMECB0020AWZZ	
ELECTRONIS PARTS						
FL701			NA11MM36	FL TUBE	VVKNA11MM36-1	
LED700			B30-2613-08	LED, YEL	VHP3105UYT1-1T	
LED709			B30-2614-08	LED	VHP31URT21+-1+	
-			CK45FB1H101K	CERAMIC	100PF	K
-			CK45FB1H473Z	CERAMIC	0.047UF	Z
C6			CE04LW1A101M	ELECTRO	100UF	10WV
C8			CK73GB1C104K	CHIP C	0.10UF	K
C11			CE04KW0J470M	ELECTRO	47UF	6.3WV
C12			CK73GB1E223K	CHIP C	0.022UF	K
C13			CK73GB1C103K	CHIP C	0.010UF	K
C14			CK73GB1C334Z	CHIP C	0.33UF	Z
C17			CK73GB1H472K	CHIP C	4700PF	K
C18			CC73GCH1H080D	CHIP C	8.0PF	D
C19			CK73GB1E223K	CHIP C	0.022UF	K
C20 ,21			CK73GB1C104K	CHIP C	0.10UF	K
C22			CC73GCH1H101J	CHIP C	100PF	J
C23			CK73GB1C473K	CHIP C	0.047UF	K
C24			CE04LW1HR22M	ELECTRO	0.22UF	50WV
C25			CK73GB1E223K	CHIP C	0.022UF	K
C26			CK73GB1C473K	CHIP C	0.047UF	K
C27			CK73GB1C104K	CHIP C	0.10UF	K
C28			CE04LW1A470M	ELECTRO	47UF	10WV
C29			CK73GB1E223K	CHIP C	0.022UF	K
C30			CK73GB1E223K	CHIP C	0.022UF	K
C31			CE04LW1A101M	ELECTRO	100UF	10WV
C34			CK73GB1E223K	CHIP C	0.022UF	K
C42			CC73GCH1H680J	CHIP C	68PF	J
C44			CK73GB1E223K	CHIP C	0.022UF	K
C45			CE04LW1A101M	ELECTRO	100UF	10WV
C46			CK73GB1E223K	CHIP C	0.022UF	K
C47			CE04LW1A101M	ELECTRO	100UF	10WV

L: Scandinavia K: USA P: Canada R: Mexico C: China I: Malaysia
 Y: PX(Far East,Hawaii) T: England E: Europe G: Germany V: China(Shanghai)
 Y: AAFES(Europe) X: Australia Q: Russia H: Korea M: Other Areas △ indicates safety critical components .

PARTS LIST

RXD-V252/V252-H

* New Parts

Parts without **Parts No.** are not supplied.Les articles non mentionnés dans le **Parts No.** ne sont pas fournis.Teile ohne **Parts No.** werden nicht geliefert.

③

Ref. No	Add-ress	New Parts	Parts No.	Description	Desti-nation	Re-marks
C49 ,50			CE04LW1A101M	ELECTRO	100UF	10WV
C51			CE04KW0J470M	ELECTRO	47UF	6.3WV
C52			CK73GB1C103K	CHIP C	0.010UF	K
C53			CK73GB1H102K	CHIP C	1000PF	K
C54			CE04LW1A470M	ELECTRO	47UF	10WV
C55			CK73GB1C103K	CHIP C	0.010UF	K
C64			CE04KW0J470M	ELECTRO	47UF	6.3WV
C71			CC73GCH1H101J	CHIP C	100PF	J
C72			CK73GB1C103K	CHIP C	0.010UF	K
C73			CC73GCH1H101J	CHIP C	100PF	J
C76			CC73GCH1H101J	CHIP C	100PF	J
C78			CC73GCH1H101J	CHIP C	100PF	J
C80			CK73GB1C104K	CHIP C	0.10UF	K
C81			CK73GB1E223K	CHIP C	0.022UF	K
C82			CK73GB1E223K	CHIP C	0.022UF	K
C83 ,34			CK73GB1H473K	CHIP C	0.047UF	K
C85			CC73GCH1H080D	CHIP C	8.0PF	D
C86			CC73GCH1H100D	CHIP C	10PF	D
C87 ,88			CE04LW0J102M	ELECTRO	1000UF	6.3WV
C89			CK45FB1H561K	CERAMIC	560PF	K
C101			CK45FB1H473Z	CERAMIC	0.047UF	Z
C102,103			CK45FB1H561K	CERAMIC	560PF	K
C104,105			CK45FB1H181K	CERAMIC	180PF	K
C106,107			CK45FB1H561K	CERAMIC	560PF	K
C108			CE04LW1C101M	ELECTRO	100UF	16WV
C112-115			CK45FB1H331K	CERAMIC	330PF	K
C116,117			CE04LW1E101M	ELECTRO	100UF	25WV
C118,119			CK45FB1H333K	CERAMIC	0.033UF	K
C120,121			CK45FB1H561K	CERAMIC	560PF	K
C122,123			CE04LW1H0R1M	ELECTRO	0.1UF	50WV
C126,127			CK45FB1H271K	CERAMIC	270PF	K
C128			CE04LW1H220M	ELECTRO	22UF	50WV
C129			CE04LW1E220M	ELECTRO	22UF	25WV
C130,131			CK45FB1H223K	CERAMIC	0.022UF	K
C132,133			CK45FB1E332K	CERAMIC	3300PF	K
C134,135			CE04LW1E470M	ELECTRO	47UF	25WV
C136			CE04LW1H220M	ELECTRO	22UF	50WV
C137			CK45FB1E223Z	CERAMIC	0.022UF	Z
C138			CE04LW1A221M	ELECTRO	220UF	10WV
C139			CE04LW1HR33M	ELECTRO	0.33UF	50WV
C140			CF92FV1H822J	MF-C	8200PF	J
C141			CF92FV1H393J	MF-C	0.039UF	J
C142			CE04LW1E470M	ELECTRO	47UF	25WV
C143,144			CK45FB1E472K	CERAMIC	4700PF	K
C148			CF92FV1H473J	MF-C	0.047UF	J
C150			CE04LW1E220M	ELECTRO	22UF	25WV
C302			CK45FB1H102K	CERAMIC	1000PF	K
C303			CC45FCH1H100J	CERAMIC	10PF	J
C304			CK45FB1E103K	CERAMIC	0.010UF	K
C305			C91-0717-05	CERAMIC	4.7PF	K
C306			CK45FB1E223Z	CERAMIC	0.022UF	Z
C307			CE04LW1C100M	ELECTRO	10UF	16WV
C308			C91-0717-05	CERAMIC	4.7PF	K
C309			CK45FB1H102K	CERAMIC	1000PF	K
C310			CC45FCH1H150J	CERAMIC	15PF	J

L : Scandinavia K : USA P : Canada R : Mexico C : China I : Malaysia
Y : PX(Far East,Hawaii) T : England E : Europe G : Germany V : China(Shanghai)
Y : AAFES(Europe) X : Australia Q : Russia H : Korea M : Other Areas Δ indicates safety critical components.

* New Parts

Parts without **Parts No.** are not supplied.Les articles non mentionnés dans le **Parts No.** ne sont pas fournis.Teile ohne **Parts No.** werden nicht geliefert.

④

Ref. No	Add-ress	New Parts	Parts No.	Description	Desti-nation	Re-marks
C311			CC45FCH1H180J	CERAMIC	18PF	J
C312			CK45FB1E223Z	CERAMIC	0.022UF	Z
C313			CC45FCH1H220J	CERAMIC	22PF	J
C314,315			CK45FB1E472K	CERAMIC	4700PF	K
C316			CK45FB1E223Z	CERAMIC	0.022UF	Z
C317			CK45FB1H102K	CERAMIC	1000PF	K
C318			CK45FB1H101K	CERAMIC	100PF	K
C323			CK45FB1E223Z	CERAMIC	0.022UF	Z
C324			C91-0716-05	CERAMIC	3.9PF	K
C326			CK45FB1H473Z	CERAMIC	0.047UF	Z
C330			CC45FCH1H150J	CERAMIC	15PF	J
C331			CK45FB1H473K	CERAMIC	0.047UF	J
C332			CK45FB1E223Z	CERAMIC	0.022UF	Z
C334			CC45FCH1H270J	CERAMIC	27PF	J
C335			CK45FB1H561K	CERAMIC	560PF	K
C337			CC45FCH1H270J	CERAMIC	27PF	J
C341			CK45FB1H473K	CERAMIC	0.047UF	J
C342			CK45FB1E223Z	CERAMIC	0.022UF	Z
C350			CK45FB1E223Z	CERAMIC	0.022UF	Z
C352			CE04LW1C100M	ELECTRO	10UF	16WV
C353,354			CK45FB1E223Z	CERAMIC	0.022UF	Z
C355			CC45FCH1H220J	CERAMIC	22PF	J
C356			CK45FB1H102K	CERAMIC	1000PF	K
C357			CE04LW1HR22M	ELECTRO	0.22UF	50WV
C358			CE04LW1H0R1M	ELECTRO	0.1UF	50WV
C361			CK45FB1E223Z	CERAMIC	0.022UF	Z
C362			CE04LW1HR33M	ELECTRO	0.33UF	50WV
C363			CK45FB1E223Z	CERAMIC	0.022UF	Z
C364			CE04LW1HR22M	ELECTRO	0.22UF	50WV
C365			CK45FB1H223Z	CERAMIC	0.022UF	Z
C366			CK45FB1H102K	CERAMIC	1000PF	K
C367,368			CE04LW1H0R1M	ELECTRO	0.1UF	50WV
C369			CC45FCH1H270J	CERAMIC	27PF	J
C370-372			CE04LW1H0R1M	ELECTRO	0.1UF	50WV
C373,374			CK45FB1H273K	CERAMIC	0.027UF	K
C375			CK45FB1H102K	CERAMIC	1000PF	K
C380			CE04LW1C100M	ELECTRO	10UF	16WV
C381			CC45FCH1H120J	CERAMIC	12PF	J
C382			CC45FCH1H150J	CERAMIC	15PF	J
C383			CK45FB1H101K	CERAMIC	100PF	K
C385			CK45FB1E103K	CERAMIC	0.010UF	K
C386			CK45FB1H331K	CERAMIC	330PF	K
C387			CK45FB1E223Z	CERAMIC	0.022UF	Z
C388			CK45FB1H102K	CERAMIC	1000PF	K
C391			CE04LW1C470M	ELECTRO	47UF	16WV
C392			CK45FB1H102K	CERAMIC	1000PF	K
C393			CE04LW1H0R1M	ELECTRO	0.1UF	50WV
C394			CE04LW1C470M	ELECTRO	47UF	16WV
C395			CK45FB1E223Z	CERAMIC	0.022UF	Z
C396			CE04LW1A101M	ELECTRO	100UF	10WV
C397			CK45FB1E223Z	CERAMIC	0.022UF	Z
C398			CE04LW1A101M	ELECTRO	100UF	10WV
C399			CK45FB1E223Z	CERAMIC	0.022UF	Z
C401 ,402			CK45FB1H102K	CERAMIC	1000PF	K
C403			CE04LW1H0R1M	ELECTRO	0.1UF	50WV

L : Scandinavia K : USA P : Canada R : Mexico C : China I : Malaysia
Y : PX(Far East,Hawaii) T : England E : Europe G : Germany V : China(Shanghai)
Y : AAFES(Europe) X : Australia Q : Russia H : Korea M : Other Areas Δ indicates safety critical components.

PARTS LIST

RXD-V2552/V2552-H

* New Parts

Parts without **Parts No.** are not supplied.
Les articles non mentionnés dans le **Parts No.** ne sont pas fournis.
Teile ohne **Parts No.** werden nicht geliefert.

5

Ref. No	Add-ress	New Parts	Parts No.	Description	Desti-nation	Re-marks
C404			CE32AA1C221M	CHIP EL 220UF 16WV		
C406			CE32AA1C470M	CHIP EL 47UF 16WV		
C407,408			CE04LW1H100M	ELECTRO 10UF 50WV		
C409,410			CF92FV1H104J	MF-C 0.10UF J		
C411,412			CF93AN1H154J	MF-C 0.15UF J		
C413,414			CK45FB1C152K	CERAMIC 1500PF K		
C417,418			CE04LW1H010M	ELECTRO 1.0UF 50WV		
C419,420			CE04LW1HR47M	ELECTRO 0.47UF 50WV		
C421-428			CE04LW1H010M	ELECTRO 1.0UF 50WV		
C429,430			CK45FB1H681K	CERAMIC 680PF K		
C441,442			CC45FCH1H470J	CERAMIC 47PF J		
C443-445			CK45FB1H221K	CERAMIC 220PF K		
C561,562			CC73ECH1H271J	CHIP C 270PF J		
C563,564			CE04LW1HR22M	ELECTRO 0.22UF 50WV		
C565,566			CK73EB1H272K	CHIP C 2700PF K		
C567,568			CK73EB1H682K	CHIP C 6800PF K		
C569			CK73EB1H223K	CHIP C 0.022UF K		
C570			CE04LW1HR22M	ELECTRO 0.22UF 50WV		
C571-573			CK73EB1H223K	CHIP C 0.022UF K		
C615,616			CK45FB1H102K	CERAMIC 1000PF K		
C617			CE04LW1HR22M	ELECTRO 0.22UF 50WV		
C700			CE04LW1H330M	ELECTRO 33UF 50WV		
C701			CE04LW1A221M	ELECTRO 220UF 10WV		
C702			CE04LW1H330M	ELECTRO 33UF 50WV		
C704			CE04LW1H470M	ELECTRO 47UF 50WV		
C705			CC73ECH1H150J	CHIP C 15PF J		
C706			CC73ECH1H180J	CHIP C 18PF J		
C707			CE04LW1HR33M	ELECTRO 0.33UF 50WV		
C708			CE04LW1E470M	ELECTRO 47UF 25WV		
C709			CK73EB1H102K	CHIP C 1000PF K		
C710			CC73ECH1H101J	CHIP C 100PF J		
C711			CK73EB1H103K	CHIP C 0.010UF K		
C712			CE04LW1V101M	ELECTRO 100UF 35WV		
C713			CE04LW1H220M	ELECTRO 22UF 50WV		
C715,716			CK73EB1H102K	CHIP C 1000PF K		
C717			CE04LW1E470M	ELECTRO 47UF 25WV		
C802,803			CF92FV1H104J	MF-C 0.10UF J		
C805,806			CF92FV1H473J	MF-C 0.047UF J		
C808-810			CE04LW1H221M	ELECTRO 220UF 50WV		
C811,812			CE04LW1H470M	ELECTRO 47UF 50WV		
C813			CE04LW1V101M	ELECTRO 100UF 35WV		
C815			CE04LW1V222M	ELECTRO 2200UF 35WV		
C816			CF92FV1H104J	MF-C 0.10UF J		
C817			CK45FB1H101K	CERAMIC 100PF K		
C818			CF92FV1H473J	MF-C 0.047UF J		
C820			CE04LW1E221M	ELECTRO 220UF 25WV		
C836			CF92FV1H222J	MF-C 2200PF J		
C849			CQ93FMG1H102J	MYLAR 1000PF J		
C852			CQ93FMG1H102J	MYLAR 1000PF J		
C853		*	C90-5753-08	ELECTRO 6800UF 16WV		
C873			CE04LW1C471M	ELECTRO 470UF 16WV		
C901,902			CK45FB1H681K	CERAMIC 680PF K		
C903,904			CC45FCH1H150J	CERAMIC 15PF J		
C905,906			CE04LW1C220M	ELECTRO 22UF 16WV		
C907,908			CK45FB1H223Z	CERAMIC 0.022UF Z		

L: Scandinavia K: USA P: Canada R: Mexico C: China I: Malaysia
Y: PX(Far East,Hawaii) T: England E: Europe G: Germany V: China(Shanghai)
Y: AAFES(Europe) X: Australia Q: Russia H: Korea M: Other Areas Δ indicates safety critical components.

* New Parts

Parts without **Parts No.** are not supplied.
Les articles non mentionnés dans le **Parts No.** ne sont pas fournis.
Teile ohne **Parts No.** werden nicht geliefert.

6

Ref. No	Add-ress	New Parts	Parts No.	Description	Desti-nation	Re-marks
C909,910			CE04LW1H101M	ELECTRO 100UF 50WV		
C911,912			CE04LW1H100M	ELECTRO 10UF 50WV		
C913-916			CF93AN2A224K	MF-C 0.22UF K		
C917			CE04LW1H470M	ELECTRO 47UF 50WV		
C920-927			CK45FB1H223Z	CERAMIC 0.022UF Z		
C928,929			CK45FB1H102K	CERAMIC 1000PF K		
C933,934			CK45FB1H102K	CERAMIC 1000PF K		
C935,936			CE04LW1HR22M	ELECTRO 0.22UF 50WV		
C937,938			CK45FB1H820K	CERAMIC 82PF K		
C940			CF93AN2A224K	MF-C 0.22UF K		
C954,955			CE04KW1H332M	ELECTRO 3300UF 50WV		
C971			CE04LW1H470M	ELECTRO 47UF 50WV		
C972			CE04LW1H100M	ELECTRO 10UF 50WV		
C980			CE04LW1H0R1M	ELECTRO 0.1UF 50WV		
CE1			CE04LW1H0R1M	ELECTRO 0.1UF 50WV		
CK1			CK45FB1C103K	CERAMIC 0.010UF K		
CK2			CF93AN1H474J	MF-C 0.47UF J		
CK6			CF93AN1H104J	MF-C 0.10UF J		
CK7			CF93AN1H474J	MF-C 0.47UF J		
CK8			CE04LW1HR47M	ELECTRO 0.47UF 50WV		
CK9			CE04LW1HR22M	ELECTRO 0.22UF 50WV		
CK10,11			CF93AN1H104J	MF-C 0.10UF J		
CK12			CE04LW1HR22M	ELECTRO 0.22UF 50WV		
CK13			CK45FB1H472K	CERAMIC 4700PF K		
CK14			CK45FB1C102K	CERAMIC 1000PF K		
CK15			CF93AN1H683J	MF-C 0.068UF J		
CK16			CF93AN2A224K	MF-C 0.22UF K		
CK17			CE04LW1A221M	ELECTRO 220UF 10WV		
CK18			CE04LW1C101M	ELECTRO 100UF 16WV		
CK19			CK45FB1H223Z	CERAMIC 0.022UF Z		
CK20			CF93AN2A224K	MF-C 0.22UF K		
CK21			CF93AN1H683J	MF-C 0.068UF J		
CK22			CK45FB1H472K	CERAMIC 4700PF K		
CK23			CK45FB1H102K	CERAMIC 1000PF K		
CK24-26			CE04LW1HR22M	ELECTRO 0.22UF 50WV		
CK27,28			CC45FCH1H101J	CERAMIC 100PF J		
CK29,30			CE04LW1HR22M	ELECTRO 0.22UF 50WV		
CK31			CF93AN1H154J	MF-C 0.15UF J		
CK33-35			CC45FCH1H470J	CERAMIC 47PF J		
CK43,44			CE04LW1E470M	ELECTRO 47UF 25WV		
CK45,46			CE04LW1HR22M	ELECTRO 0.22UF 50WV		
CK47,48			CC45FCH1H221J	CERAMIC 220PF J		
CK49,50			CC45FCH1H101J	CERAMIC 100PF J		
CK51,52			CE04LW1HR47M	ELECTRO 0.47UF 50WV		
CK53			CE04LW1H470M	ELECTRO 47UF 50WV		
CK54			CE04LW1C101M	ELECTRO 100UF 16WV		
CM1			CE04LW0J102M	ELECTRO 1000UF 6.3WV		
CM2			CE04LW1C100M	ELECTRO 10UF 16WV		
CM5			CE04LW1A101M	ELECTRO 100UF 10WV		
CM6			CK73GB1C104K	CHIP C 0.10UF K		
CM7			CE04LW1C101M	ELECTRO 100UF 16WV		
CM8,9			CK73GB1C104K	CHIP C 0.10UF K		
CM11,12			CC73GCH1H270J	CHIP C 27PF J		
CM13			CK73GB1H102K	CHIP C 1000PF K		
CM14			CK73GB1C104K	CHIP C 0.10UF K		

L: Scandinavia K: USA P: Canada R: Mexico C: China I: Malaysia
Y: PX(Far East,Hawaii) T: England E: Europe G: Germany V: China(Shanghai)
Y: AAFES(Europe) X: Australia Q: Russia H: Korea M: Other Areas Δ indicates safety critical components.

PARTS LIST

RXD-V2552/V2552-H

* New Parts
 Parts without **Parts No.** are not supplied.
 Les articles non mentionnés dans le **Parts No.** ne sont pas fournis.
 Teile ohne **Parts No.** werden nicht geliefert.

7

Ref. No	Add-ress	New Parts	Parts No.	Description	Desti-nation	Re-marks
CM15			CC73GCH1H220J	CHIP C	22PF	J
CM16 -20			CK73GB1C104K	CHIP C	0.10UF	K
CM21			CE04LW1A101M	ELECTRO	100UF	10WV
CM22			CC73GCH1H100D	CHIP C	10PF	D
CM23			CK73GB1C104K	CHIP C	0.10UF	K
CM24			CE04LW1A101M	ELECTRO	100UF	10WV
CM25			CK73GB1C104K	CHIP C	0.10UF	K
CM26			CK73GB1E223K	CHIP C	0.022UF	K
CM27			CE04LW1C100M	ELECTRO	10UF	16WV
CM28			CK73GB1E223K	CHIP C	0.022UF	K
CM29			CK73GB1E223K	CHIP C	0.022UF	K
CM30			CK73GB1C104K	CHIP C	0.10UF	K
CM31			CK73GB1E223K	CHIP C	0.022UF	K
CM32			CE04LW1A101M	ELECTRO	100UF	10WV
CM33			CK73GB1E223K	CHIP C	0.022UF	K
CM34			CE04LW1C100M	ELECTRO	10UF	16WV
CM35			CK73GB1E223K	CHIP C	0.022UF	K
CM36			CE04LW1A101M	ELECTRO	100UF	10WV
CM37			CK73GB1C104K	CHIP C	0.10UF	K
CM38			CE04LW1C100M	ELECTRO	10UF	16WV
CM39			CK73GB1C104K	CHIP C	0.10UF	K
CM40			CK73GB1C103K	CHIP C	0.010UF	K
CM41 -44			CE04LW1C100M	ELECTRO	10UF	16WV
CM45			CE04LW1A101M	ELECTRO	100UF	10WV
CM46			CC73GCH1H330J	CHIP C	33PF	J
CM47			CK73GB1C104K	CHIP C	0.10UF	K
CM48			CE04LW1A101M	ELECTRO	100UF	10WV
CM49			CC73GCH1H330J	CHIP C	33PF	J
CM50 ,51			CC73GCH1H221J	CHIP C	220PF	J
CM52 ,53			CE04LW1C100M	ELECTRO	10UF	16WV
CM54 ,55			CC73GCH1H220J	CHIP C	22PF	J
CM56			CE04LW1C100M	ELECTRO	10UF	16WV
CM57			CE04LW1C100M	ELECTRO	10UF	16WV
CV601			CK45FB1H223Z	CERAMIC	0.022UF	Z
VD301			SVC348S	VARI CAP		
VD302,303		*	C02-0302-08	VARI CAP		
CNP701			E40-8992-08	MOLEX FFC CONE	QCNCWZX20AWZZ	
CNS701			E40-8930-08	FFC CONE,20P	QCNCWZY20AWZZ	
CNS702			E40-8929-08	FFC CONE,10P	QCNCWZY10AWZZ	
JK1		*	E11-0953-08	JACK,MIC	QJAKJ0010AWZZ	
JK601			E11-0942-08	JACK	QJAKM0004AWZZ	
JK671		*	E02-0021-08	VIDEO OUT SKT	QSOCJ0110AWZZ	
SO301			E70-0145-08	TERMINAL	QTANC0105AWZZ	
SO401			E63-1219-08	RCA SOCKET	QSOCJ0224AWZZ	
SO801			S62-0106-08	VOLTAGE SELCT	QSOCE0008AWZZ	
SO901			E70-0151-08	SPK JACK	QTANA0417AWZZ	
F801 ,802			F50-0200-08			
F803 ,804			F50-0199-08			
BF301			L32-1040-08	FM BPF	RFILR0008AWZZT	
CF302		*	L79-1290-08	FM FILTER	RFILF0072AFZZ	
CF351			L79-1287-08	FM DETECTOR 10	RFILF0003AFWZZ	
CF352			L79-1286-08	AM FILTER	RFILA0009AWZZ	
L61		*	L90-0396-08	COIL	RCILC0011AWZZT	
L62		*	L90-0397-08	COIL	RCILC0012AWZZT	
L101,102			L90-0390-08	COIL	VP-MK2R2K000T	

L : Scandinavia K : USA P : Canada R : Mexico C : China I : Malaysia
 Y : P(X)Far East,Hawaii T : England E : Europe G : Germany V : China(Shanghai)
 Y : AAFES(Europe) X : Australia Q : Russia H : Korea M : Other Areas Δ indicates safety critical components .

8

* New Parts
 Parts without **Parts No.** are not supplied.
 Les articles non mentionnés dans le **Parts No.** ne sont pas fournis.
 Teile ohne **Parts No.** werden nicht geliefert.

Ref. No	Add-ress	New Parts	Parts No.	Description	Desti-nation	Re-marks
L104			L90-0389-08	COIL	VP-MK331K000T	
L312			L90-0391-08	FM TRACKING CO	RCILR0056AWZZ	
L351,352			L90-0388-08	COIL	VP-DH101K000T	
L700			L90-0388-08	COIL C101KBT	VP-DH101K000T	
L920,921			L39-1342-08	COILC-1432A	RCILZ0137AWZZ	
LM3		*	L90-0398-08	COIL	RCILC0013AWZZT	
T301			L33-1634-08	FM COVERAGE CO	RCILB0065AWZZ	
T302			L31-0662-08	COIL	RCIL10017AWZZ	
T303			L31-0661-08	COIL	RCILA0052AWZZ	
T306			L32-1039-08	AM OSC COIL	RCILB0067AWZZ	
T351			L30-0985-08	AM IF COIL	RCIL10019AWZZ	
X351			L77-2351-08	RCRM-0075AFZZ	CRSTL1425A	
X352			L77-2168-08	CRYSTAL 4.5MHZ	RCRSP0019AWZZ	
XL1		*	L77-2390-08	RESONATOR	RCRSP0013AWZZ	
XL2		*	L77-2391-08	CRYSTAL,16.93	RCRSP0016AWZZ	
XL700			L77-2230-08	CRYSTAL	RCRSP0003AWZZ	
R3			RK73GB1J473J	CHIP R	47K	J 1/16W
R4			RK73GB1J103J	CHIP R	10K	J 1/16W
R5			RK73GB1J393J	CHIP R	39K	J 1/16W
R6			RK73GB1J273J	CHIP R	27K	J 1/16W
R7			RK73GB1J682J	CHIP R	6.8K	J 1/16W
R8			RK73GB1J331J	CHIP R	330	J 1/16W
R10			RK73GB1J273J	CHIP R	27K	J 1/16W
R1M1 ,2			RK73FB2A000J	CHIP R	0	J 1/10W
R11			RK73GB1J123J	CHIP R	12K	J 1/16W
R12 ,13			RK73GB1J681J	CHIP R	680	J 1/16W
R14			RK73GB1J122J	CHIP R	1.2K	J 1/16W
R15			RK73GB1J103J	CHIP R	10K	J 1/16W
R16			RK73GB1J103J	CHIP R	10K	J 1/16W
R17			RK73GB1J103J	CHIP R	10K	J 1/16W
R20			RK73GB1J221J	CHIP R	220	J 1/16W
R21 ,22			RK73GB1J471J	CHIP R	470	J 1/16W
R25			RK73GB1J103J	CHIP R	10K	J 1/16W
R35			RK73GB1J102J	CHIP R	1.0K	J 1/16W
R37			RK73GB1J152J	CHIP R	1.5K	J 1/16W
R38			RK73GB1J271J	CHIP R	270	J 1/16W
R39			RK73GB1J471J	CHIP R	470	J 1/16W
R40			RK73GB1J122J	CHIP R	1.2K	J 1/16W
R42			RK73GB1J563J	CHIP R	56K	J 1/16W
R44			RK73GB1J102J	CHIP R	1.0K	J 1/16W
R45			RK73GB1J122J	CHIP R	1.2K	J 1/16W
R46			RK73GB1J102J	CHIP R	1.0K	J 1/16W
R47			RK73GB1J3R0J	CHIP R	3	J 1/16W
R48			RK73GB1J682J	CHIP R	6.8K	J 1/16W
R50			RK73GB1J470J	CHIP R	47	J 1/16W
R51			RK73GB1J683J	CHIP R	68K	J 1/16W
R52 ,53			RK73GB1J563J	CHIP R	56K	J 1/16W
R54			RK73GB1J683J	CHIP R	68K	J 1/16W
R55 ,56			RK73GB1J563J	CHIP R	56K	J 1/16W
R58			RK73GB1J680J	CHIP R	68	J 1/16W
R67 ,68			RK73GB1J102J	CHIP R	1.0K	J 1/16W
R71			RK73GB1J102J	CHIP R	1.0K	J 1/16W
R72 ,73			RK73GB1J102J	CHIP R	1.0K	J 1/16W
R75			RK73GB1J101J	CHIP R	100	J 1/16W
R76 -78			RK73GB1J102J	CHIP R	1.0K	J 1/16W
R79			RK73GB1J155J	CHIP R	1.5M	J 1/16W

L : Scandinavia K : USA P : Canada R : Mexico C : China I : Malaysia
 Y : P(X)Far East,Hawaii T : England E : Europe G : Germany V : China(Shanghai)
 Y : AAFES(Europe) X : Australia Q : Russia H : Korea M : Other Areas Δ indicates safety critical components .

* New Parts

Parts without **Parts No.** are not supplied.
Les articles non mentionnés dans le **Parts No.** ne sont pas fournis.
Teile ohne **Parts No.** werden nicht geliefert.

9

Ref. No	Add-ress	New Parts	Parts No.	Description	Desti-nation	Re-marks
R80			RK73GB1J105J	CHIP R 1.0M	J 1/16W	
R86			RK73GB1J000J	CHIP R 0	J 1/16W	
R92 ,93			RK73GB1J000J	CHIP R 0	J 1/16W	
R94 ,95			RK73GB1J103J	CHIP R 10K	J 1/16W	
R97			RK73GB1J392J	CHIP R 3.9K	J 1/16W	
R110,111			RK73GB1J000J	CHIP R 0	J 1/16W	VCD
R112			RK73GB1J331J	CHIP R 330	J 1/16W	VCD
R113			RK73GB1J222J	CHIP R 2.2K	J 1/16W	VCD
R114			RK73GB1J223J	CHIP R 22K	J 1/16W	VCD
R115			RK73GB1J000J	CHIP R 0	J 1/16W	VCD
R116			RK73GB1J152J	CHIP R 1.5K	J 1/16W	VCD
R117			RK73GB1J331J	CHIP R 330	J 1/16W	VCD
R118			RK73GB1J222J	CHIP R 2.2K	J 1/16W	VCD
R146			RN14BK2H82R0F	RN 82	F 1/2W	
R816			RD14BB2H182J	RD 1.8K	J 1/2W	
R907,908			RS14GB3A0R1J	FL-PROOF RS 0.1	J 1W	
R921 ,922			RD14BB2H3R9J	RD 3.9	J 1/2W	
R923 ,924			RD14BB2H5R6J	RD 5.6	J 1/2W	
R978-981			RD14KB3DR22J	FL-PROOF RD 0.22	J 2W	
RK14 ,15			RD14BB2H101J	RD 100	J 1/2W	
RM1 -8			RK73GB1J330J	CHIP R 33	J 1/16W	
RM9			RK73GB1J151J	CHIP R 150	J 1/16W	
RM10			RK73GB1J221J	CHIP R 220	J 1/16W	
RM11			RK73GB1J151J	CHIP R 150	J 1/16W	
RM12 ,13			RK73GB1J151J	CHIP R 150	J 1/16W	
RM14			RK73GB1J104J	CHIP R 100K	J 1/16W	
RM15 ,16			RK73GB1J472J	CHIP R 4.7K	J 1/16W	
RM17 -20			RK73GB1J000J	CHIP R 0	J 1/16W	
RM21			RK73GB1J223J	CHIP R 22K	J 1/16W	
RM22			RK73GB1J000J	CHIP R 0	J 1/16W	
RM23			RK73GB1J472J	CHIP R 4.7K	J 1/16W	
RM24			RK73GB1J103J	CHIP R 10K	J 1/16W	
RM25			RK73GB1J103J	CHIP R 10K	J 1/16W	
RM26 ,27			RK73GB1J472J	CHIP R 4.7K	J 1/16W	
RM28			RK73GB1J000J	CHIP R 0	J 1/16W	
RM30 ,31			RK73GB1J330J	CHIP R 33	J 1/16W	
RM32			RK73GB1J100J	CHIP R 10	J 1/16W	
RM33			RK73GB1J330J	CHIP R 33	J 1/16W	
RM34			RK73GB1J103J	CHIP R 10K	J 1/16W	
RM35			RK73GB1J101J	CHIP R 100	J 1/16W	
RM36			RK73GB1J102J	CHIP R 1.0K	J 1/16W	
RM37			RK73GB1J000J	CHIP R 0	J 1/16W	
RM38			RK73GB1J330J	CHIP R 33	J 1/16W	
RM39 ,40			RK73GB1J000J	CHIP R 0	J 1/16W	
RM41			RK73GB1J822J	CHIP R 8.2K	J 1/16W	
RM42 -44			RK73GB1J330J	CHIP R 33	J 1/16W	
RM45			RK73GB1J472J	CHIP R 4.7K	J 1/16W	
RM47			RK73GB1J102J	CHIP R 1.0K	J 1/16W	
RM49			RK73GB1J472J	CHIP R 4.7K	J 1/16W	
RM50			RK73GB1J470J	CHIP R 47	J 1/16W	
RM51,52			RK73GB1J103J	CHIP R 10K	J 1/16W	
RM53,54			RK73GB1J104J	CHIP R 100K	J 1/16W	
RM55			RK73GB1J682J	CHIP R 6.8K	J 1/16W	
RM56,57			RK73GB1J104J	CHIP R 100K	J 1/16W	
RM58			RK73GB1J103J	CHIP R 10K	J 1/16W	

L : Scandinavia K : USA P : Canada R : Mexico C : China I : Malaysia
 Y : PX(Far East,Hawaii) T : England E : Europe G : Germany V : China(Shanghai)
 Y : AAFES(Europe) X : Australia Q : Russia H : Korea M : Other Areas Δ indicates safety critical components .

* New Parts

Parts without **Parts No.** are not supplied.
Les articles non mentionnés dans le **Parts No.** ne sont pas fournis.
Teile ohne **Parts No.** werden nicht geliefert.

10

Ref. No	Add-ress	New Parts	Parts No.	Description	Desti-nation	Re-marks
RM59			RK73GB1J103J	CHIP R 10K	J 1/16W	
RM60-62			RK73GB1J103J	CHIP R 10K	J 1/16W	
RM63,64			RK73GB1J223J	CHIP R 22K	J 1/16W	
RM65,66			RK73GB1J102J	CHIP R 1.0K	J 1/16W	
RM67,68			RK73GB1J104J	CHIP R 100K	J 1/16W	
RM69			RK73GB1J682J	CHIP R 6.8K	J 1/16W	
RM70			RK73GB1J221J	CHIP R 220	J 1/16W	
RM71			RK73GB1J123J	CHIP R 12K	J 1/16W	
RM72			RK73GB1J221J	CHIP R 220	J 1/16W	
RM73			RK73GB1J222J	CHIP R 2.2K	J 1/16W	
RM74,75			RK73GB1J221J	CHIP R 220	J 1/16W	
RM76			RK73GB1J560J	CHIP R 56	J 1/16W	
RM77,78			RK73GB1J472J	CHIP R 4.7K	J 1/16W	
RM79			RK73GB1J000J	CHIP R 0	J 1/16W	
RM80			RK73GB1J102J	CHIP R 1.0K	J 1/16W	
VRK1		*	R92-4579-08	POT METER	VRR1674A	
VR701			R32-0106-08	JOG VR	QSW-Z0013AWZZ	
RL951			S76-0125-08	RELAY	RRLYD0014AWZZ	
SW601		*	S62-0086-08	SWITCH	QSW-S0024AWZZ	
SW701-721			S70-0091-08	SWITCH	QSW-K0181AFZZT	
D21 ,22			1SS133	DIODE		
D301-305			1SS133	DIODE		
D513-516			1SS133	DIODE		
D700,701			1SS133	DIODE		
D706-711			1SS133	DIODE		
D717,718			1SS133	DIODE		
D802-808			1N4004S	DIODE		
D809			TS6B04GM	DIODE		
D831			1SS133	DIODE		
D833			1SS133	DIODE		
D851			1SS133	DIODE		
D901-903			1SS133	DIODE		
D951			1SS133	DIODE		
D971			1SS133	DIODE		
DM1			1SS133	DIODE		
DV601,602			1SS133	DIODE		
ICK1			M65856SP	IC		
ICK1		*	1625635T	IC	VHI1625635T-1	
ICK1		*	LA9235M	IC		
ICK2		*	KIA4558P	IC		
ICK2		*	ES3880F	IC	VHIES3880F/-1	
ICK2		*	LC78636E	IC	VHILC78636E-1	
ICK3		*	ES3889F	IC	VHIES3889F/-1	
ICK3		*	M63001FP	IC	VHIM63001FP	
ICK4		*	IX0455	IC		
ICK6			BA4558F	IC(OP AMP X2)		
ICK101			AN7345K	IC		
ICK301			TA7358AP	IC(FM FRONT END)		
ICK302			LC72131	IC(PLL FREQUENCY SYNTHESIZER)		
ICK303			LA1832S	IC		
ICK401			LC75341	IC		
ICK561 ,562			KIA4558P	IC		
ICK700		*	IX0415	IC	RH-IX0415AWZZ	
ICK811			KIA7805API	IC(VOLTAGE REGULATOR)		

L : Scandinavia K : USA P : Canada R : Mexico C : China I : Malaysia
 Y : PX(Far East,Hawaii) T : England E : Europe G : Germany V : China(Shanghai)
 Y : AAFES(Europe) X : Australia Q : Russia H : Korea M : Other Areas Δ indicates safety critical components .

PARTS LIST

RXD-V2552/V2552-H

* New Parts
Parts without **Parts No.** are not supplied.
Les articles non mentionnés dans le **Parts No.** ne sont pas fournis.
Teile ohne **Parts No.** werden nicht geliefert.

11

Ref. No	Add-ress	New Parts	Parts No.	Description	Desti-nation	Re-marks
IC812			KIA7810AP	IC		
IC852			AN78L05T	IC		
IC901		*	STK40270N	IC		
Q1		*	KTC3265Y	TRANSISTOR		
Q2			KRC102S	TRANSISTOR		
Q3			KTA1504Y	TRANSISTOR		
Q4			KTC3203Y	TRANSISTOR		
Q9 ,10			KTC3875Y	TRANSISTOR		
Q101			KTA1266GR	TRANSISTOR		
Q102,103			KRC104M	TRANSISTOR		
Q104-107			2SC1845F	TRANSISTOR		
Q108-111			KTC3199GR	TRANSISTOR		
Q112			2SA1015GR	TRANSISTOR		
Q113			KRC104M	TRANSISTOR		
Q114			KTC3203Y	TRANSISTOR		
Q302			KTC3194Y	TRANSISTOR		
Q360			KTA1266GR	TRANSISTOR		
Q401,402			KTC3199GR	TRANSISTOR		
Q603,604			KTC3199GR	TRANSISTOR		
Q700			KRC102M	TRANSISTOR		
Q703			KTA1273Y	TRANSISTOR		
Q704 ,705			KTA1271Y	TRANSISTOR		
Q706 -708			KTC3199GR	TRANSISTOR		
Q709			KRC102M	TRANSISTOR		
Q712			KRC102M	TRANSISTOR		
Q801			KTA1274Y	TRANSISTOR		
Q813			KTC2026	TRANSISTOR		
Q901-904			KTC3199GR	TRANSISTOR		
Q951			KRC107M	TRANSISTOR		
Q971			KTC3203Y	TRANSISTOR		
QK1		*	KTC3203Y	TRANSISTOR		
QM1			KTC3265Y	TRANSISTOR		
QM2			KTC3203Y	TRANSISTOR		
QM3			KRC104S	TRANSISTOR		
QM4			KTA1274Y	TRANSISTOR		
ZDK1		*	MTZJ5R6B	ZENER DIODE		
ZD1		*	EZ02W4R3Z	ZENER DIODE		
ZD61		*	EZ02W3R9Z	ZENER DIODE		
ZD351			DZ5R1BSB	ZENER DIODE		
ZD561			DZ6R2BSC	ZENER DIODE		
ZD801		*	DZ300BSB	ZENER DIODE		
ZD802			DZ6R2BSA	ZENER DIODE		
ZD803			DZ110BSB	ZENER DIODE		
ZD810			DZ2R4BSB	ZENER DIODE		
RX701			W02-2689-08	SENSOR	VHLN63H380A-1	
MECHANISM						
1	2A		D13-1869-08	GEAR	NGERH0011AWZZ	
2	2A		D13-1870-08	GEAR	NGERH0012AWZZ	
5	2A		G13-2515-08	CUSHION	MCUSN1524A	
6	2A		T25-0115-08	OPTICAL PICKUP	HPC1LXASY	
24	1A		D02-0145-08	TURNTABLE		
32	2B		D16-0776-08	BELT	BE231616	
34	3B		J39-1037-08	SPACER	EVA0330702	
35	1A		T99-0656-08	MAGNET	MAG0104302	

L : Scandinavia K : USA P : Canada R : Mexico C : China I : Malaysia
Y : PX(Far East,Hawaii) T : England E : Europe G : Germany V : China(Shanghai)
Y : AAFES(Europe) X : Australia Q : Russia H : Korea M : Other Areas ⚠ indicates safety critical components .

* New Parts
Parts without **Parts No.** are not supplied.
Les articles non mentionnés dans le **Parts No.** ne sont pas fournis.
Teile ohne **Parts No.** werden nicht geliefert.

12

Ref. No	Add-ress	New Parts	Parts No.	Description	Desti-nation	Re-marks
38	2A		J39-1036-08	SPACER	NM0305401	
39	2A,3A		D14-0818-08	ROLLER	PT0303002	
40	3B		D10-5013-08	LEVER(STOP)	PT0304303	
41	2A		D32-0370-08	STOPPER	PT0304304	
42	3B		D10-5012-08	LEVER(LOCK)	PT0304305	
43	1A		J19-6229-08	STABILIZER	PT0304306	
45	2A		D19-0329-08	PIN(LOCK)	PT0304308	
46	2B		F09-0162-08	CAP	PT0304309	
47	2A		D13-2565-08	GEAR	PT0305413	
48	2A		D13-2559-08	GEAR	PT0309506	
49	2A		D13-2561-08	GEAR	PT0309507	
50	2A		D13-2563-08	GEAR	PT0309508	
51	2A		D13-2560-08	GEAR	PT0309509	
52	2B		D15-0445-08	PULLEY(GEAR)	PT0309510	
53	2A		D13-2562-08	GEAR	PT0309511	
54	2B		D10-5014-08	LEVER(CLAMP)	PT0311101	
55	2A		D10-5015-08	LEVER(DISC)	PT0311102	
56	2A		D13-2564-08	GEAR(CAM)	PT0312005	
57	1A		J19-6227-08	HOLDER	PT0320201	
60	3A		J99-0834-08	TRAY(SLIDE)	PT0331003	
62	2A		G01-4278-08	SPRING(STOP)	SP0304303	
63	3B		G01-4277-08	SPRING(LOCK)	SP0304305	
64	2A		G01-4279-08	SPRING	SP0304306	
66	1A		D19-0330-08	METAL PLATE	MT0304302	
AL	2A		N09-5335-08	MACHINE SCREW	LX-BZ2222AXZZ	
AM	3A		N09-5332-08	MACHINE SCREW	SC0308MBZI	
AR			N19-1526-08	FLAT WASHER	LX-WZ1070AFZZ	
DM	2A		T42-1120-08	MOTOR ASSY	MMTR1651B	
FM	2A		T42-1114-08	MOTOR ASSY	MMTR1854A	
M3	2B		T41-0140-08	MOTOR ASS'Y	TWMEN7E6Y	

L : Scandinavia K : USA P : Canada R : Mexico C : China I : Malaysia
Y : PX(Far East,Hawaii) T : England E : Europe G : Germany V : China(Shanghai)
Y : AAFES(Europe) X : Australia Q : Russia H : Korea M : Other Areas ⚠ indicates safety critical components .

RXD-V252/V252-H

SPECIFICATIONS

Main Unit

[Amplifier section]

Rated power output
1 kHz, 1% T.H.D., 6 Ω (RMS) 38W + 38W
Effective output power during STEREO operation
1 kHz, 10% T.H.D., 6 Ω (RMS) 50W + 50W
Signal to noise ratio
VIDEO/AUX INPUT 88 dB (IHF' 66)
Input sensitivity / impedance
VIDEO/AUX INPUT 600 mV / 47 k Ω

[Tuner section]

FM tuner section
Tuning frequency range 87.5 MHz ~ 108 MHz

MW (AM) Tuner section

Tuning frequency range
9 kHz step 531kHz ~ 1,602kHz
10 kHz step 530kHz ~ 1,620kHz

[Cassette deck section]

Track 4-track, 2-channel stereo
Recording system AC bias system
(Frequency: 100 kHz)

Heads

A deck : Playback head 1
B deck : Playback / recording head 1
Erasing head 1
Fast winding time Approx. 100 seconds
(C-60 tape)

[CD (VIDEO CD) player section]

Laser wave length 770 to 795 nm
Laser power class 1 (IEC)
Wow & Flutter Less than unmeasurable limit
Video Output format NTSC/PAL
Video Output lever 1 Vp-p (75 Ω)

[General]

Power consumption 100W
Dimensions W :270mm (10-5/8")
H :330mm (13")
D :390mm (15-3/8")
Weight (net) 7 kg (15.4 lb)

Speakers (LS-N30VS)

Enclosure Bass-reflex type
Speaker configuration
Woofer 160 mm, cone type
Tweeter 50 mm, cone type
Super-tweeter 20 mm, dome type
Impedance 6 Ω
Maximum input power 50W
Dimensions W : 226 mm (8-7/8")
H : 330 mm (13")
D : 225 mm (8-7/8")
Weight (net) 3.1kg (6.8 lb) (1 piece)

RXD-V252/V252-H

KENWOOD CORPORATION

14-6, Dogenzaka 1-chome, Shibuya-ku, Tokyo, 150-8501 Japan

KENWOOD SERVICE CORPORATION

P.O BOX 22745, 2201 East Dominguez St., Long Beach, CA 90801-5745, U.S.A.

KENWOOD ELECTRONICS CANADA INC.

6070 Kestrel Road, Mississauga, Ontario, Canada L5T 1S8

KENWOOD ELECTRONICS LATIN AMERICA S.A.

P.O BOX 55-2791, Piso 6 plaza Chase, Cl. 47 y Aquilino de la Guardia Panama, Republic de Panama

KENWOOD ELECTRONICS BRASIL LTDA.

Alameda Ministro Rocha Azevedo No. 456, Edifício Jaú, 10o Andar, Cerqueira César, Cep 0140-001, São Paulo-SP-Brasil

KENWOOD ELECTRONICS U.K. LIMITED

KENWOOD House, Dwight Road, Watford, Herts., WD1 8EB., United Kingdom

KENWOOD ELECTRONICS BELGIUM N.V.

Leuvensesteenweg 248 J, 1800 Vilvoorde, Belgium

KENWOOD ELECTRONICS DEUTSCHLAND GMBH

Rembrücker Str. 15, 63150 Heusenstamm, Germany

KENWOOD ELECTRONICS FRANCE S.A.

13 Boulevard Ney, 75018 Paris, France

KENWOOD ELECTRONICS ITALIA S.p.A.

Via G. Sirtori, 7/9 20129, Milano, Italy

KENWOOD IBÉRICA S.A.

Bolivia, 239-08020 Barcelona, Spain

KENWOOD ELECTRONICS AUSTRALIA PTY. LTD.

(A.C.N. 001 499 074)

16 Giffnock Avenue, North Ryde, N.S.W. 2113, Australia

KENWOOD ELECTRONICS (HONG KONG) LTD.

Unit 3712-3724, Level 37, Tower 1, Metroplaza, 223 Hing Fong Road, Kwai Fong N.T., Hong Kong

KENWOOD ELECTRONICS GULF FZE

P.O.Box 61318, Jebel Ali, Dubai, U.A.E.

KENWOOD ELECTRONICS SINGAPORE PTE LTD.

No. 1 Genting Lane #02-02, KENWOOD Building, Singapore, 349544

KENWOOD ELECTRONICS (MALAYSIA) SDN BHD.

#4.01 Level 4, Wisma Academy Lot 4A, Jalan 19/1 46300 Petaling Jaya Selangor Darul Ehsan Malaysia

KENWOOD ELECTRONICS (THAILAND) CO., LTD.

2019 New Pechburi Road, Bangkapi, Huaykwang, Bangkok, 10320 Thailand