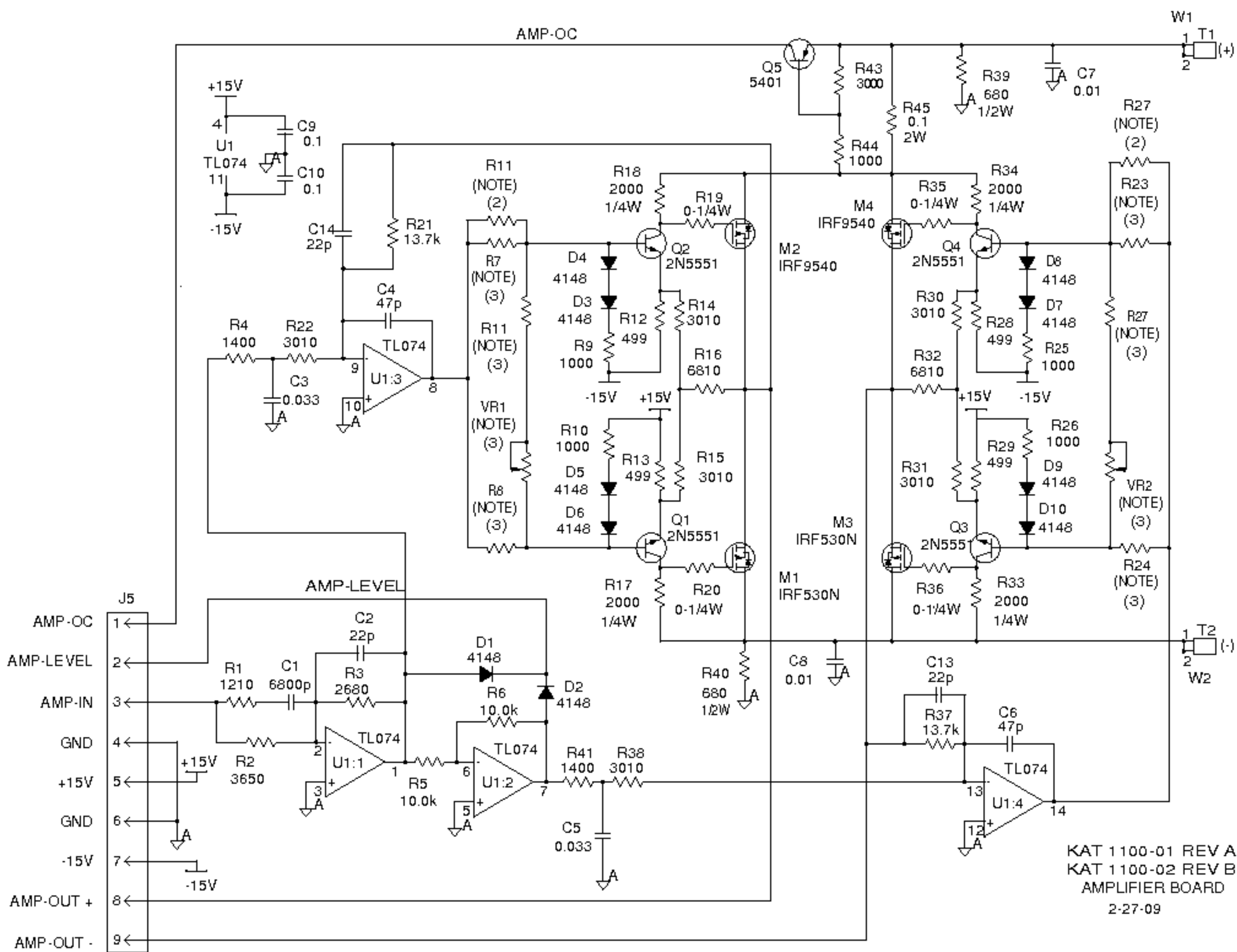


AMP-OC



KAT 1100-01 REV A
 KAT 1100-02 REV B
 AMPLIFIER BOARD
 2-27-09

- NOTE 1: ALL RESISTORS 1/8 W UNLESS OTHERWISE NOTED.
- NOTE 2: PARALLEL CONNECTED R11, R27 ON VERSION 1100-01 REVA NOT INSERTED ON UNIT EXAMINED.
- NOTE 3: VERSION 1100-01 REVA: R7, R8, R23, R24 = 5110. SERIES CONNECTED R11, R27, VR1, VR2 NOT USED.
- VERSION 1100-02 REVB: R7, R8, R23, R24 = 6040. R11, R27 = 40.2K. VR1, VR2 = 100K.