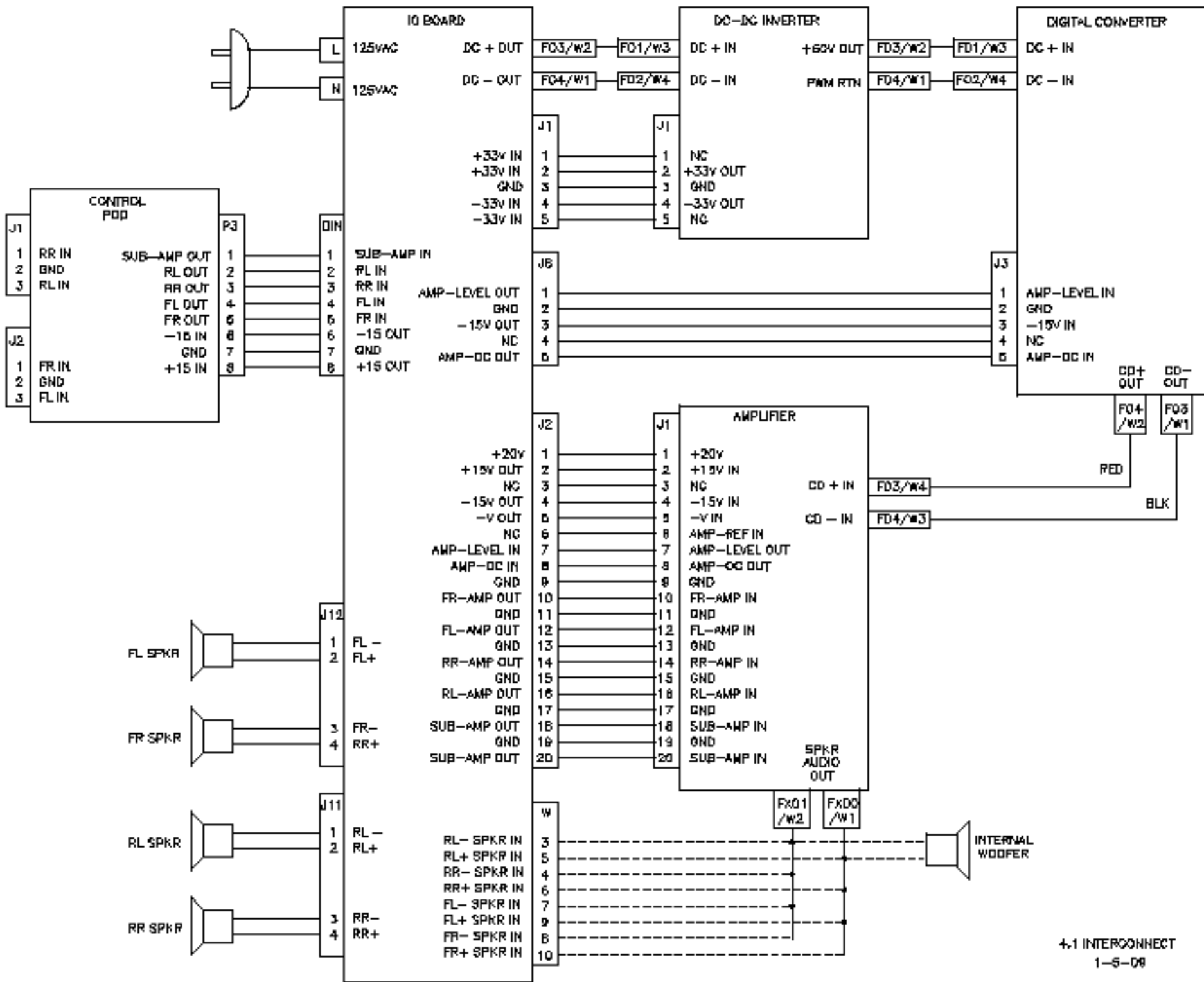
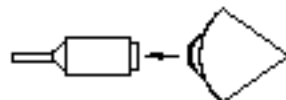


BASH AMPLIFIER BLOCK DIAGRAM
10-15-2008

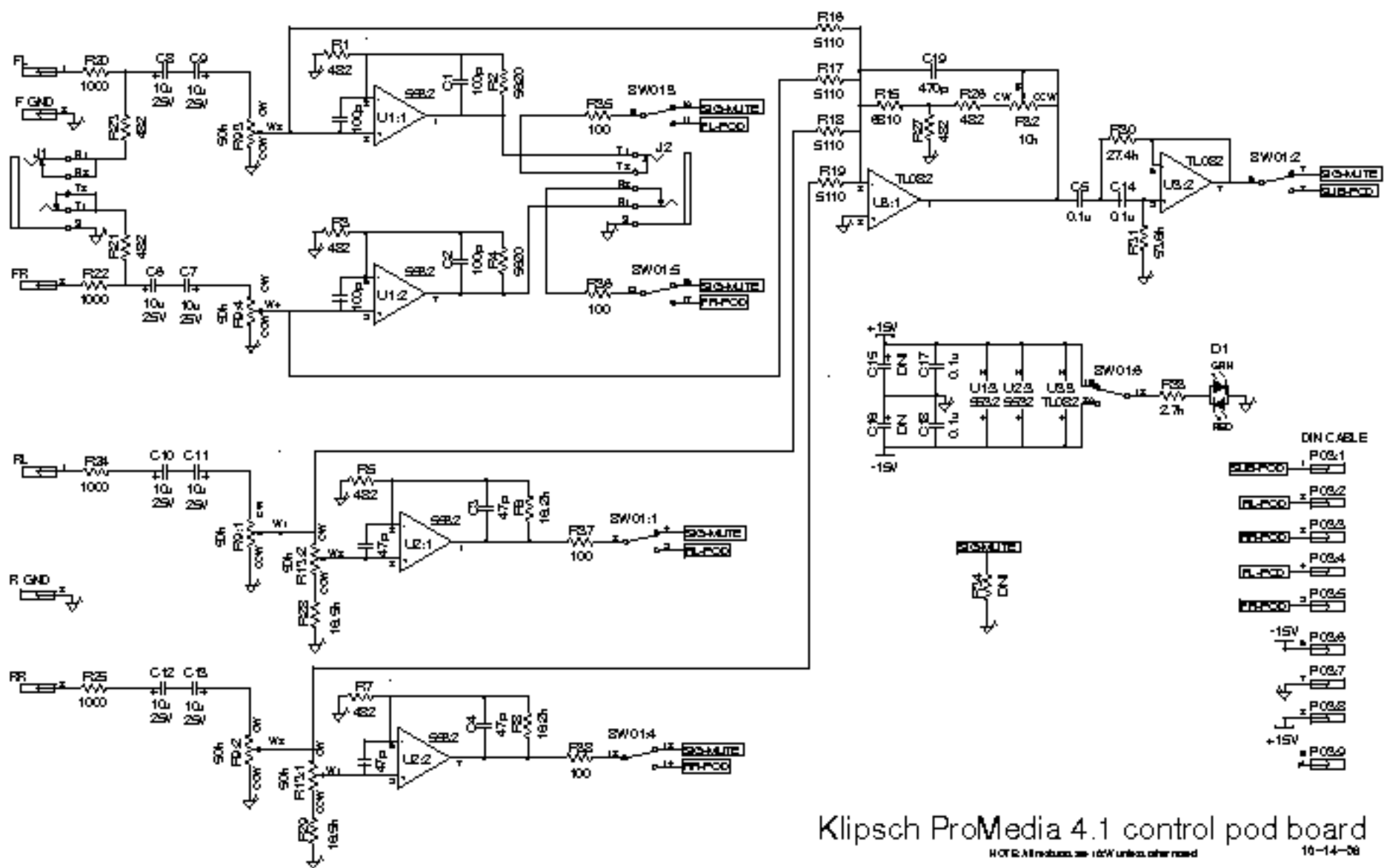


PLUG SHOWN LOOKING AT PINS ON THE MATING SURFACE

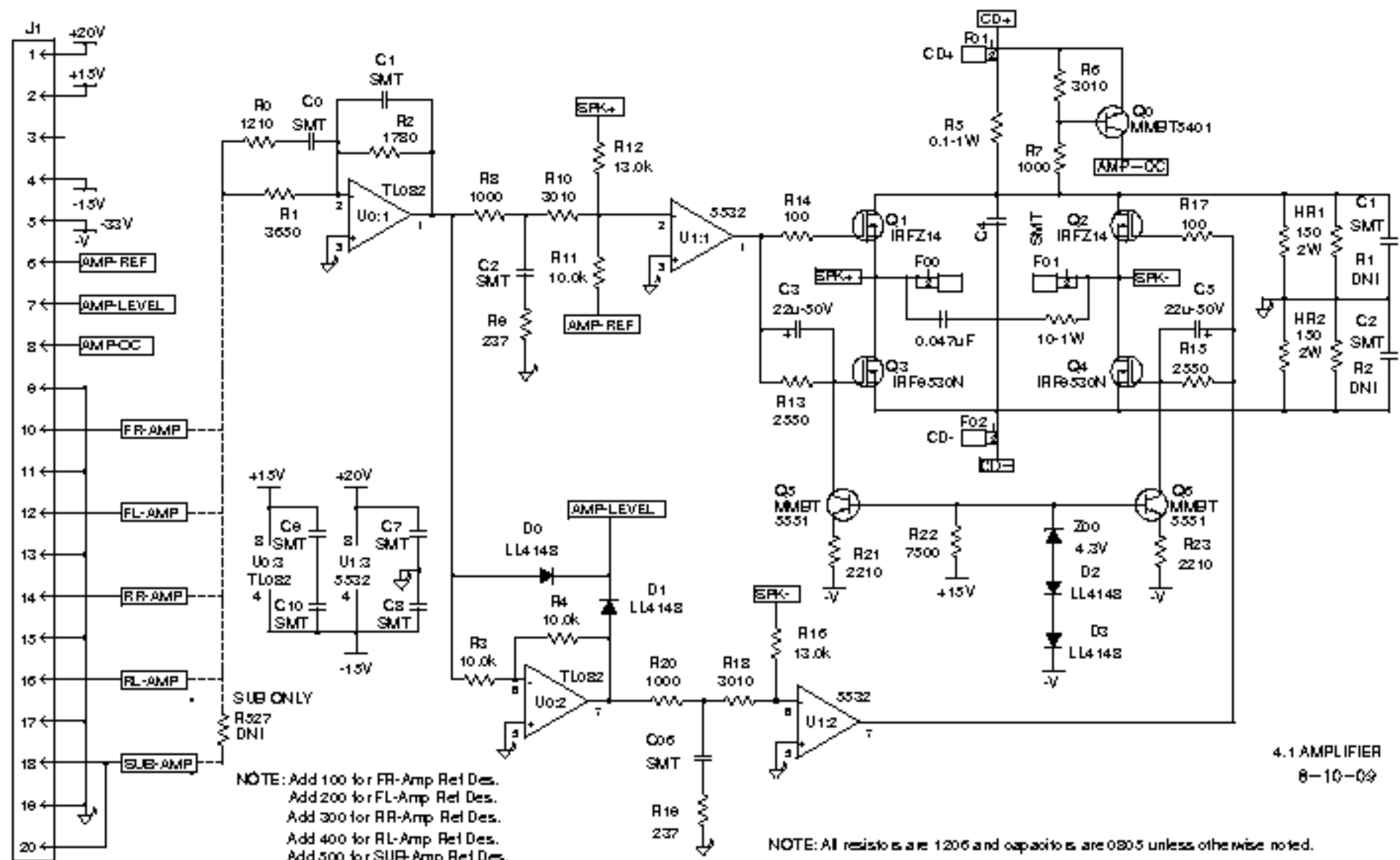


PIN 1	SUB	RED
PIN 2	LEFT REAR	BROWN
PIN 3	RIGHT REAR	BLACK
PIN 4	LEFT FRONT	GREEN
PIN 5	RIGHT FRONT	YELLOW
PIN 6	-15 VDC	ORANGE
PIN 7	GND	BLUE
PIN 8	+15 VDC	WHITE
SHLD	NOT GND	BARE

PIN 1	SUB	BROWN
PIN 2	LEFT REAR	BLUE
PIN 3	RIGHT REAR	GREEN
PIN 4	LEFT FRONT	ORANGE
PIN 5	RIGHT FRONT	RED
PIN 6	-15 VDC	YELLOW
		/ BLACK
PIN 7	GND	BLACK
PIN 8	+15VDC	YELLOW
SHLD	GND	GND

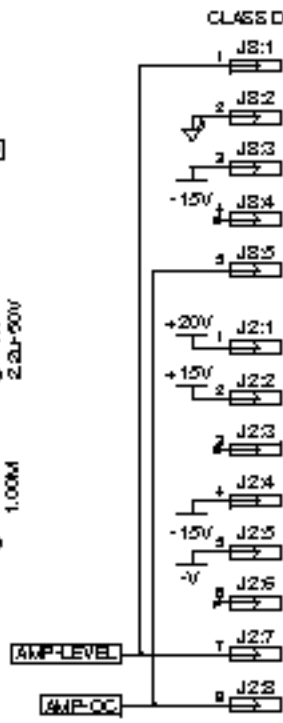
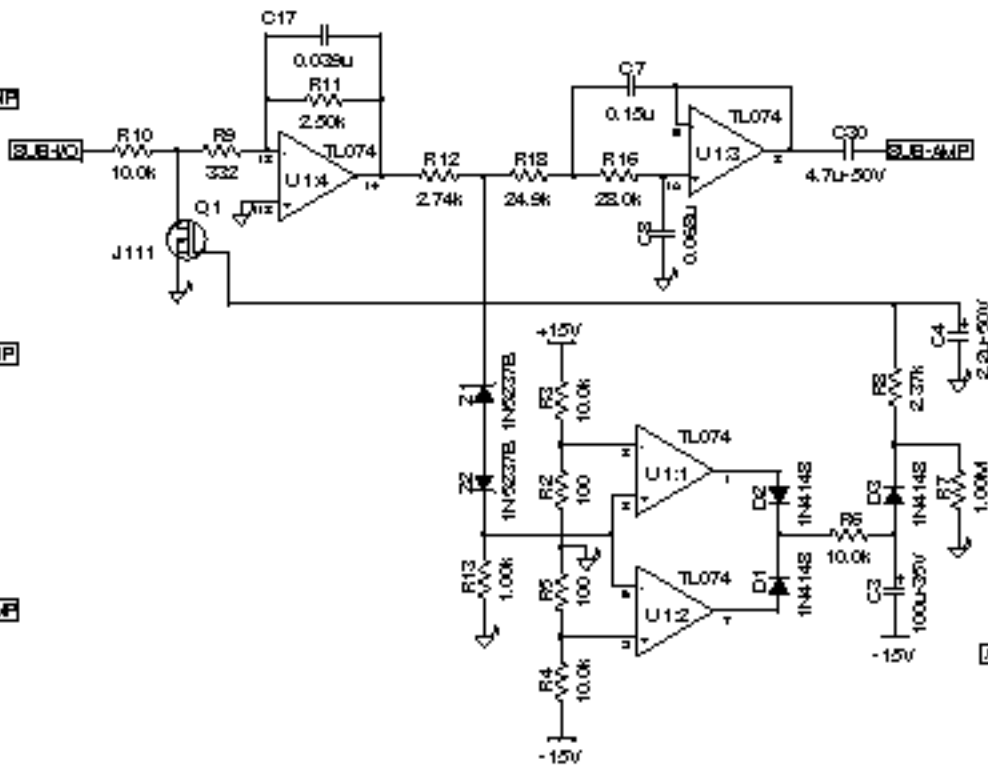
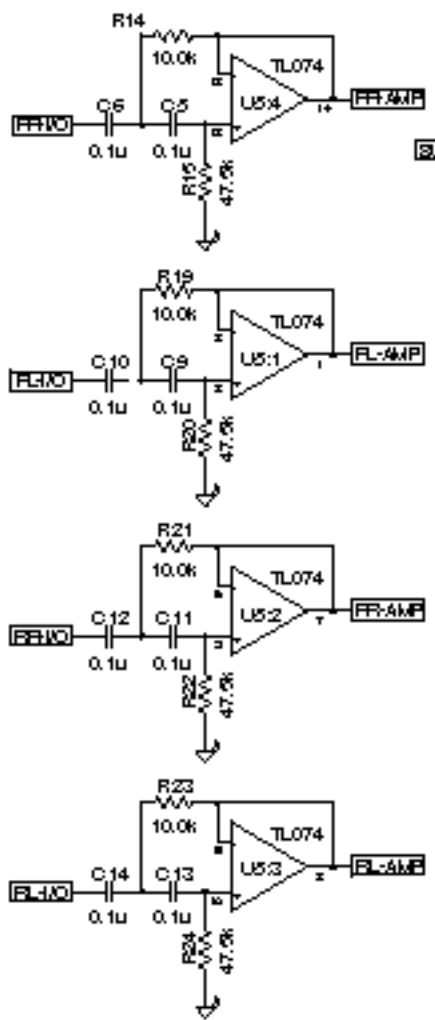
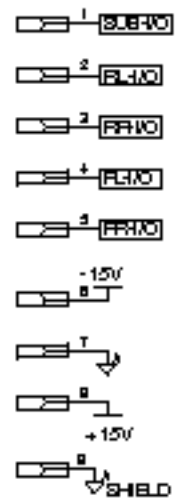


- DIN CABLE
- 1 SUB-PC01
 - 2 SUB-PC02
 - 3 SUB-PC03
 - 4 SUB-PC04
 - 5 SUB-PC05
 - 6 -15V PC06
 - 7 PC07
 - 8 PC08
 - 9 +15V PC09

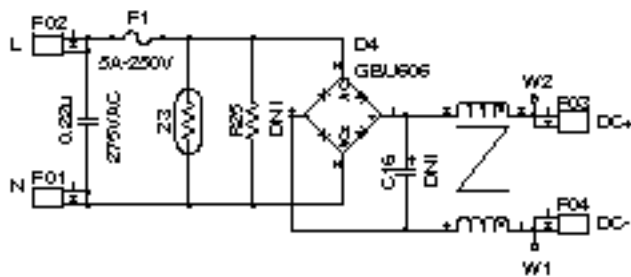


4.1 AMPLIFIER
8-10-09

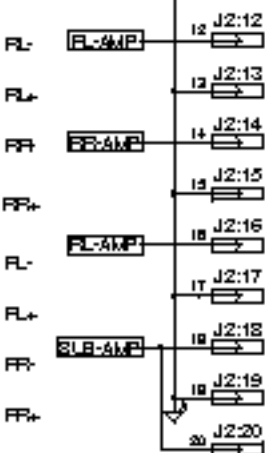
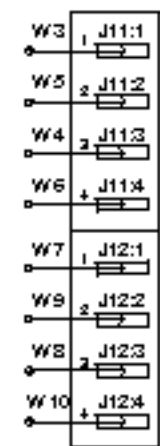
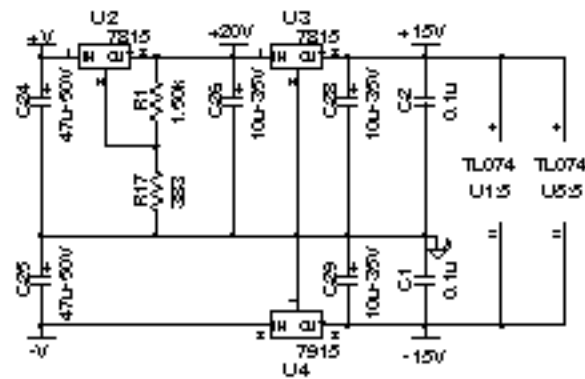
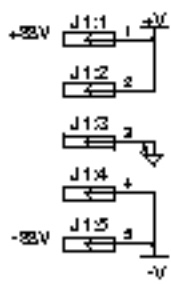
DIN CONN



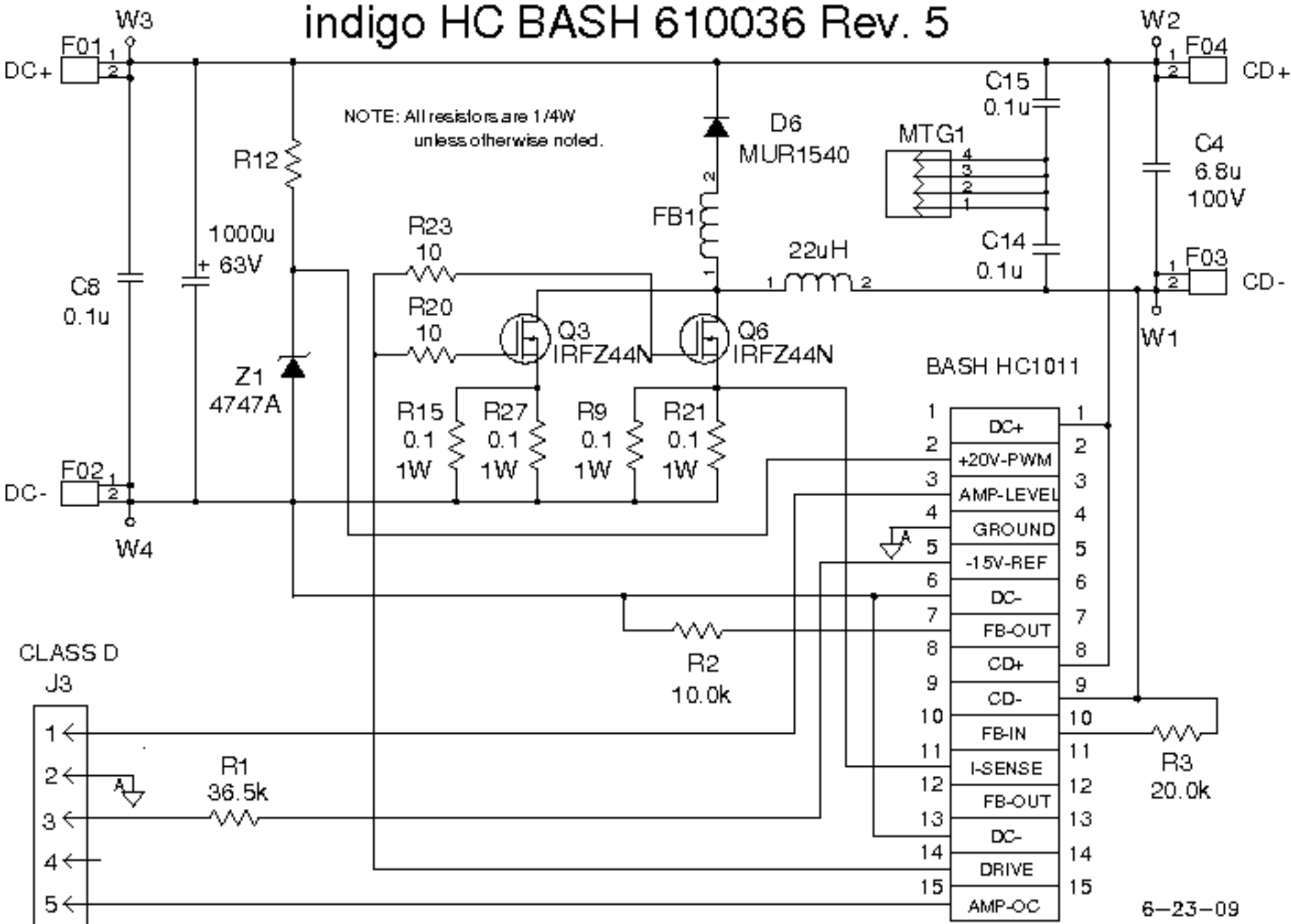
Klipsch ProMedia 4.1 I/O Board indigo HC BASH 630043 Rev. 4



POWER SUPPLY



Klipsch ProMedia 4.1 Buck Converter indigo HC BASH 610036 Rev. 5

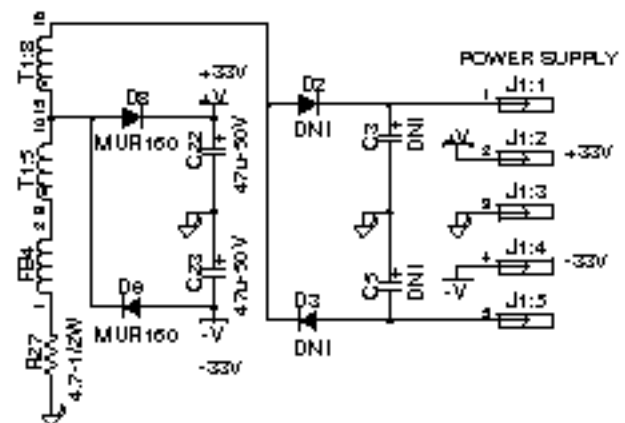
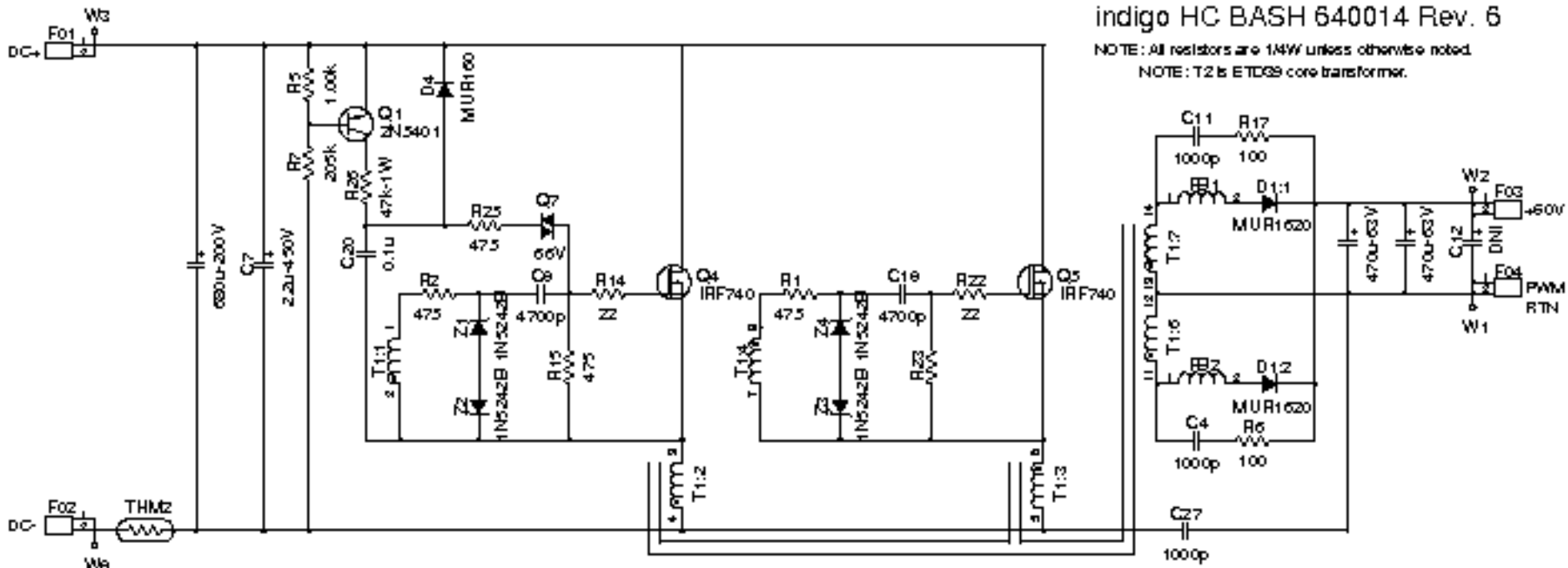


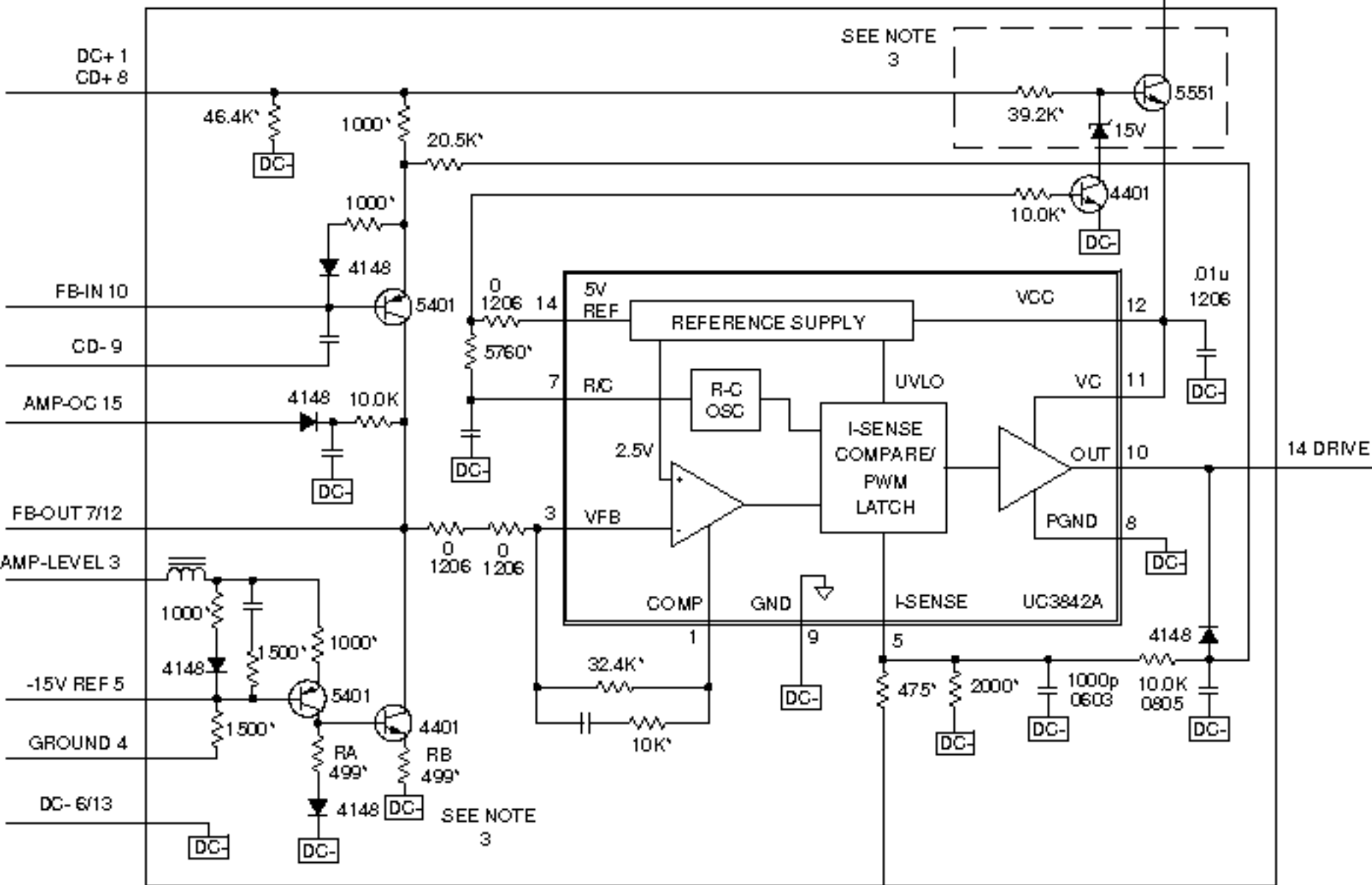
Klipsch ProMedia 4.1 DC-DC converter

indigo HC BASH 640014 Rev. 6

NOTE: All resistors are 1/4W unless otherwise noted.

NOTE: T:2 is ETD39 core transformer.



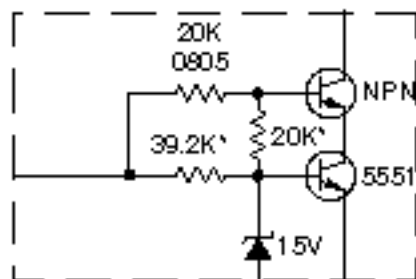


NOTES:

1. ASTERISK DENOTES RESISTOR ON CERAMIC BOARD.
2. CAPACITORS WITHOUT VALUES COULD NOT BE DEMOUNTED FOR MEASUREMENT.
3. HC1011 SHOWN ABOVE. MAKE FOLLOWING CHANGES FOR HC1010.

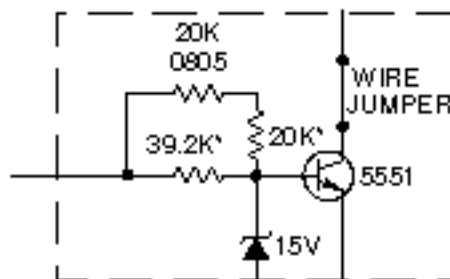
HC1010 EARLY LAYOUT

RA = RB = 1000*



HC1010 DATE CODE 9917

RA = RB = 1000*



HC1010 DATE CODE 9927

RA = RB = 1000*

