

K-B

Model HG30

General Description : Five-valve (including rectifier), three-waveband superheterodyne radiogramophone for use with record speeds of 78, 45 and $33\frac{1}{2}$ r.p.m. Released November 1952.

Power Supply : A.C. mains, 200-250 volts, 50 c/s. (two adjustment positions).

Power Consumption : Radio, 50 watts; gramophone, 65 watts.

Wavebands : L.W. 880-2100 m. (340-142 kc/s.); M.W. 187-570 m. (1610-525 kc/s.); S.W. 16.3-51 m. (18.4-5.8 Mc/s.).

Output : 4 watts to a 10 in. high-flux permanent-magnet loudspeaker of 3 ohms impedance.

Intermediate Frequency : 422 kc/s.

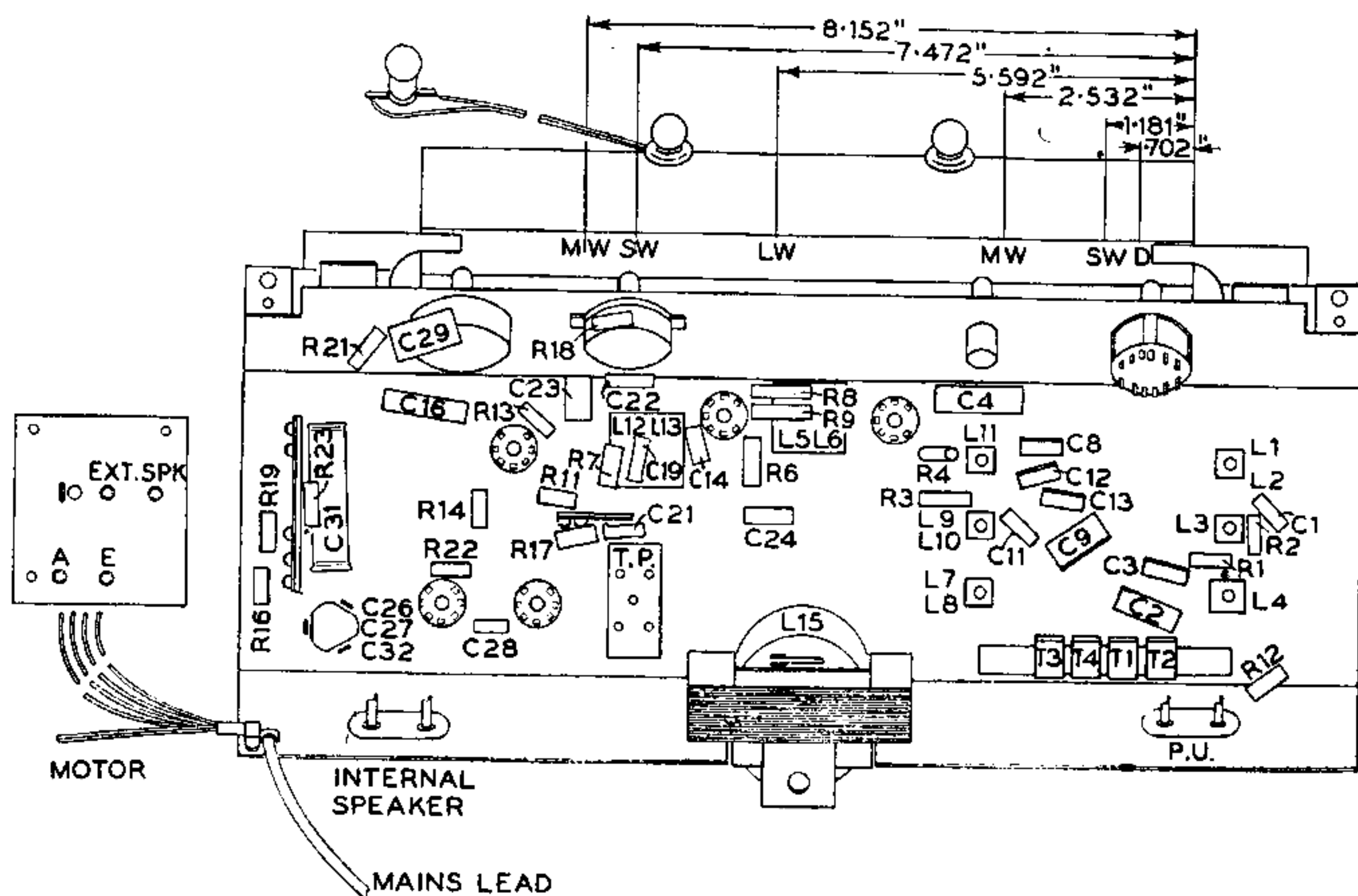
Valves : Brimar (V₁) 6BE6; (V₂) 6BA6; (V₃) 6AT6; (V₄) 6AQ5; (V₅) 6X4.

Dial Lamps : 6.3 volts, 0.2 amp. M.E.S.

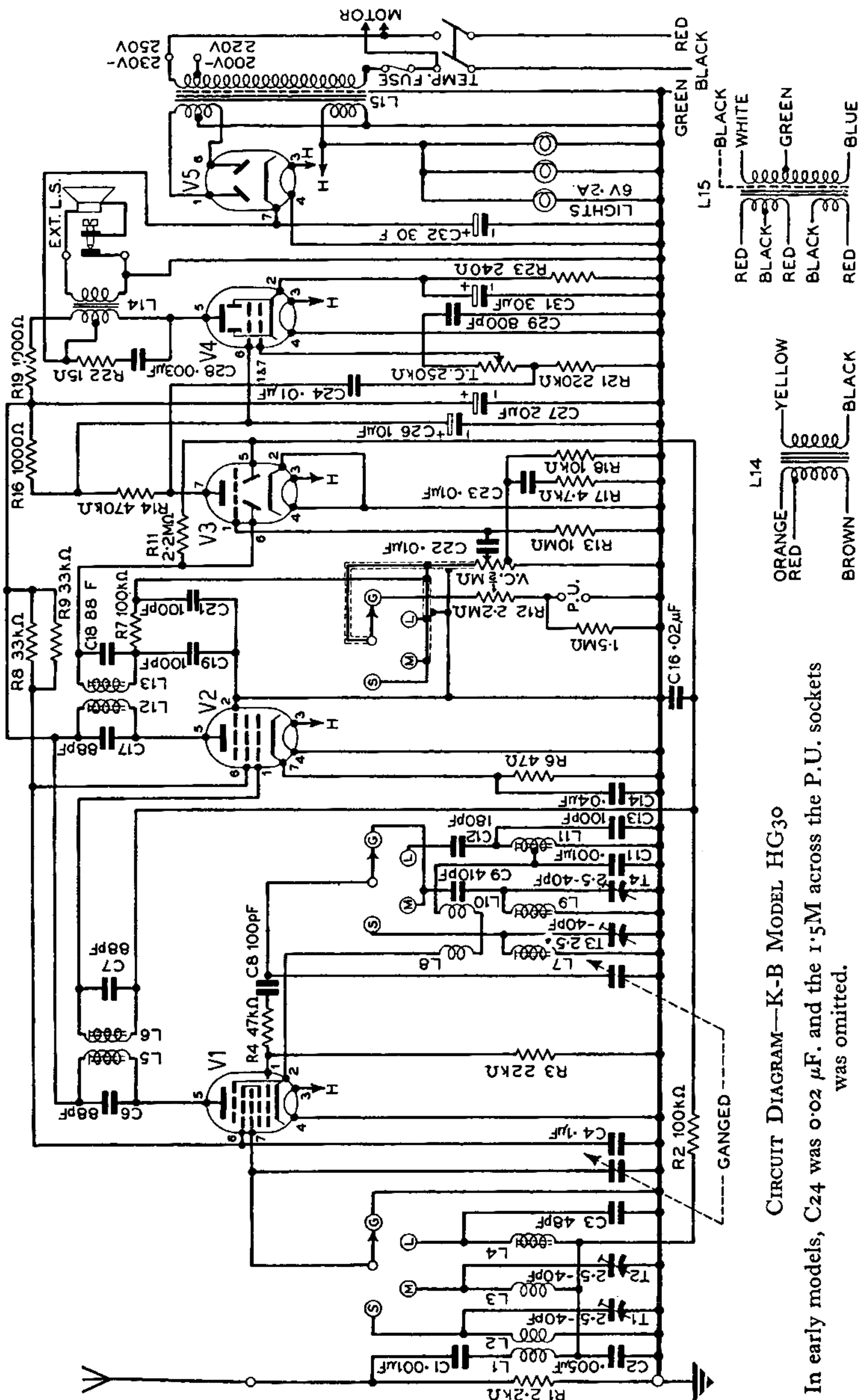
Note : A temperature fuse link is incorporated in the mains transformer. Should a short-circuit occur which releases the fuse link, soft solder should be used when reconnecting.

Gramophone Equipment : Garrard RC75 changer. A Cosmocord pick-up type GP19U (white spot) is fitted with Compromise needle to operate from all speeds.

Alignment Procedure : The alignment procedure is similar to that given for Model HR10.



UNDERCHASSIS VIEW



CIRCUIT DIAGRAM—K-B MODEL HG30

In early models, C24 was 0.02 μ F. and the 1.5M across the P.U. sockets was omitted.