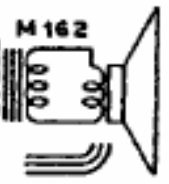
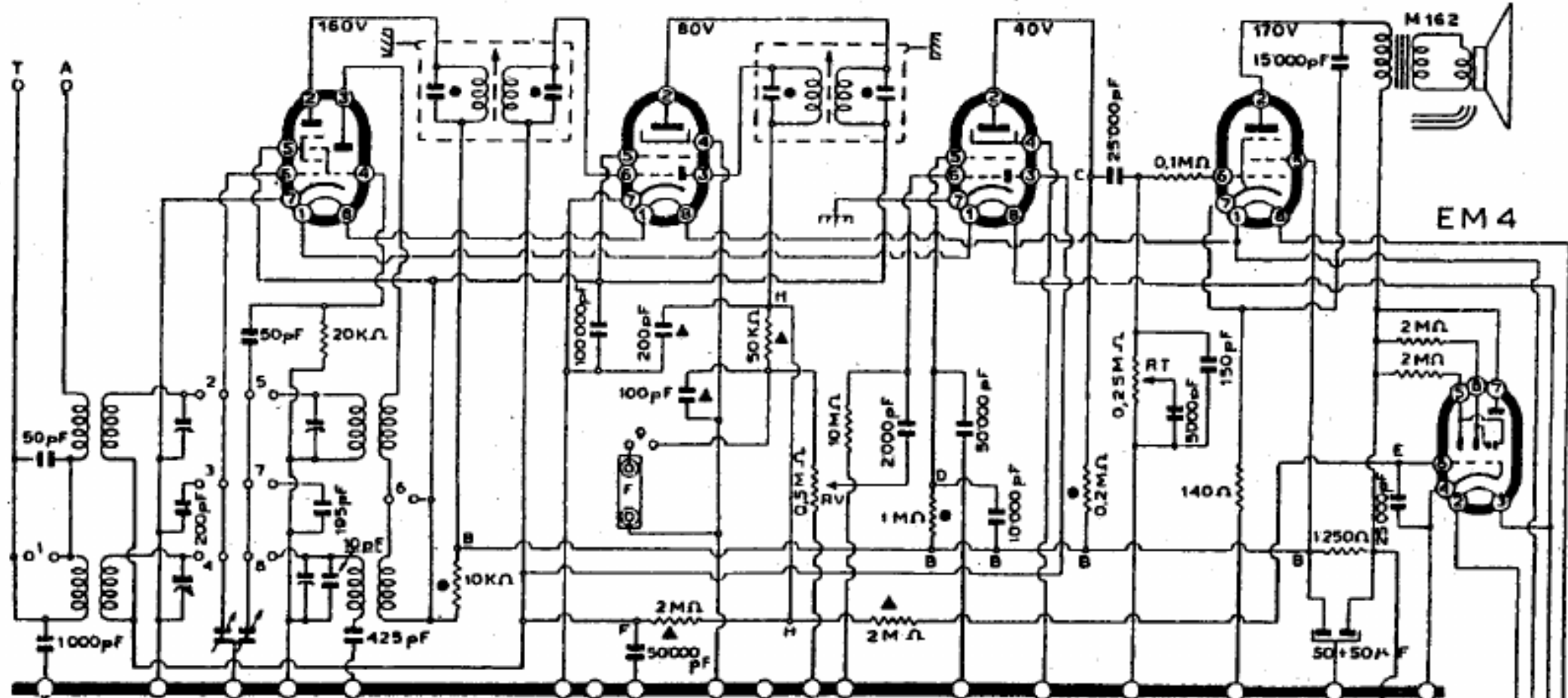


UCH 41

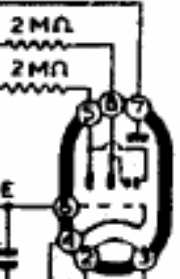
UAF 42

UAF 42

UL 41



EM 4



	1	2	3	4	5	6	7	8	9
G	0	0	0	0	0	0	0	0	0
M	1	0	0	0	0	0	0	0	0
M	2	0	0	0	0	0	0	0	0
C	0	0	0	0	0	0	0	0	0
C	5	0	0	0	0	0	0	0	0

MF470kHz

● 200 pF

