

KRELL INDUSTRIES, INC.
45 Connair Road
Orange, CT 06477 USA

FPB 300
Output Board
Drawing No. 100-077-01

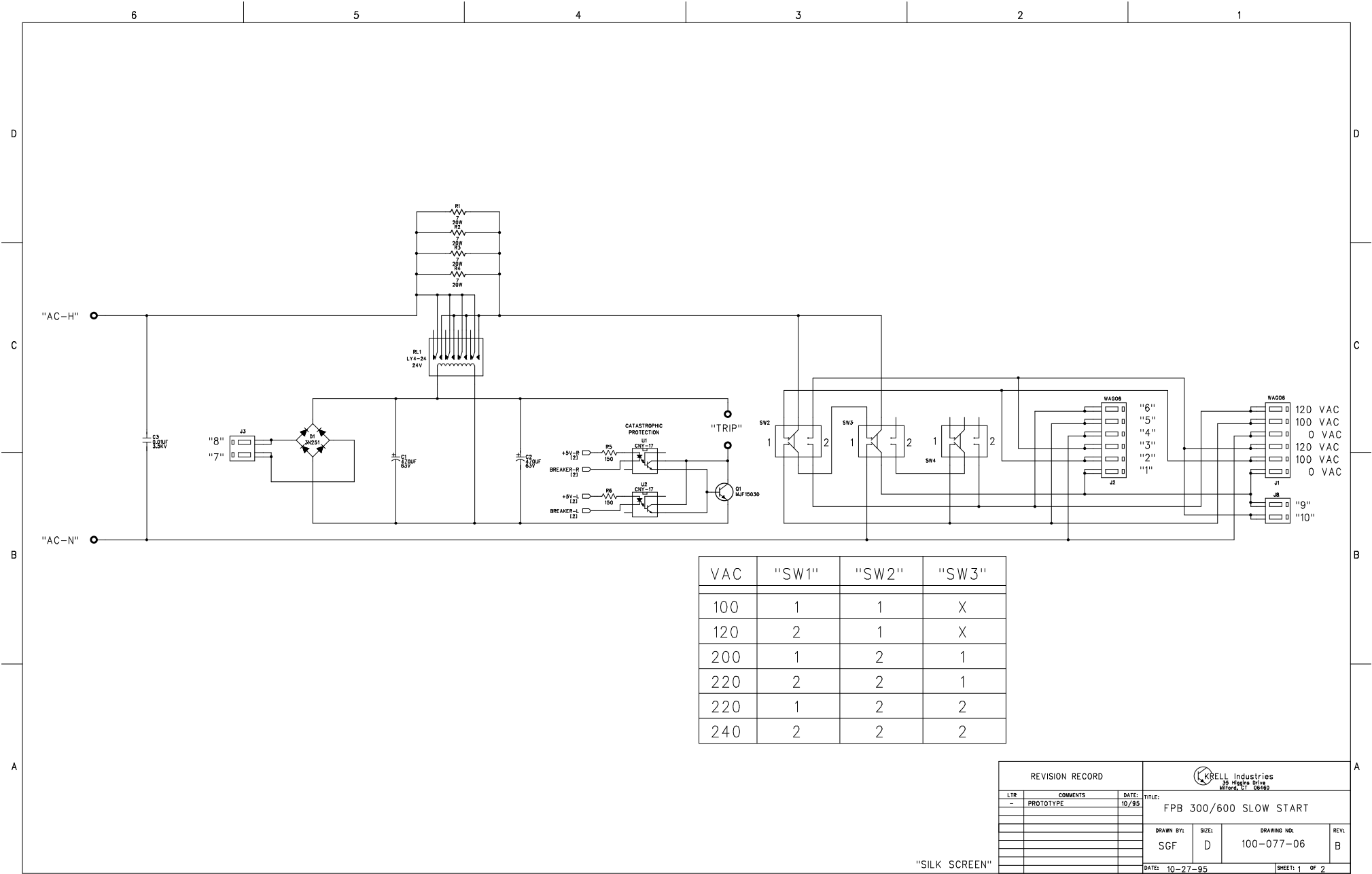
Page 1 of 1
Drawn by T. Eichenbaum
Date: August 1995

Rev.	Description	Date
B	changed connections to 0.1uF caps, changed R130,R131,R158,R159 to 150 ohms, changed C77,C78,C79,C80 to 680pF	1/28/98

Rev.	Description	Date

Rev.	Description	Date

Rev.	Description	Date



6

5

4

3

2

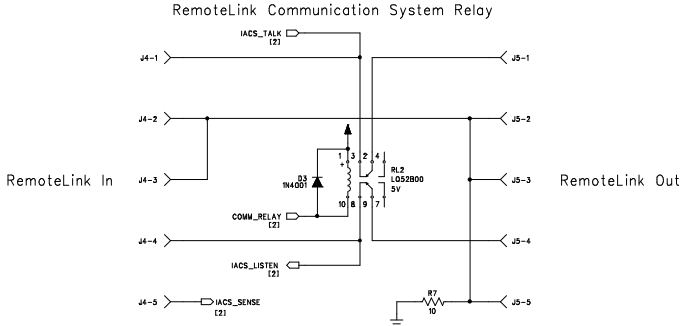
1

D

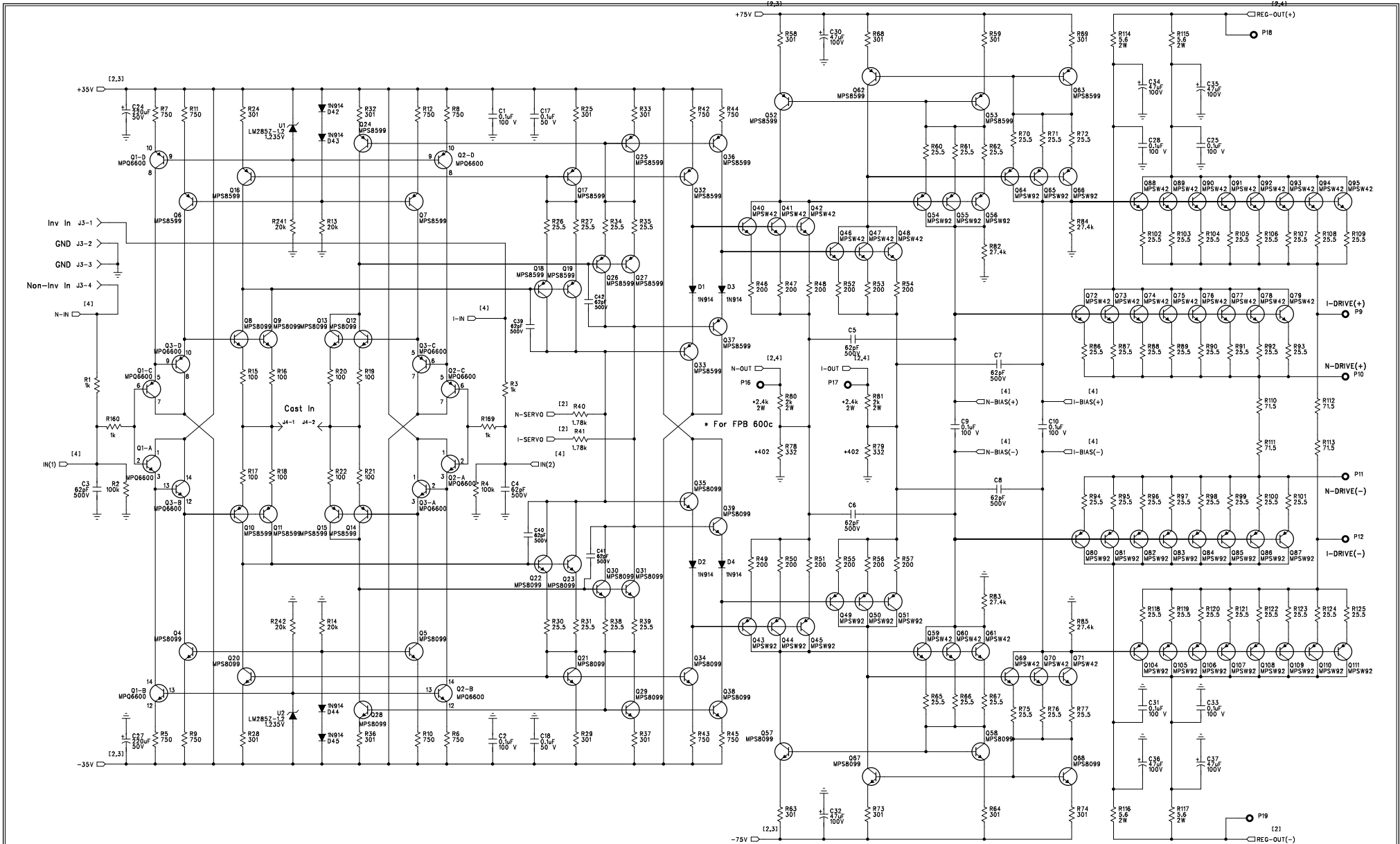
C

B

A



REVISION RECORD			KRELL Industries 30 High Drive Brockton, MA 01909		
REV	COMMENTS	DATE	TITLE: FPB 300/600 SLOW START		
1	PROTOTYPE	10/95	DRAWN BY:	SIZE:	DRAWING NO:
			SGF	D	100-077-06
			DATE:	10-27-95	SHEET: 2 of 2

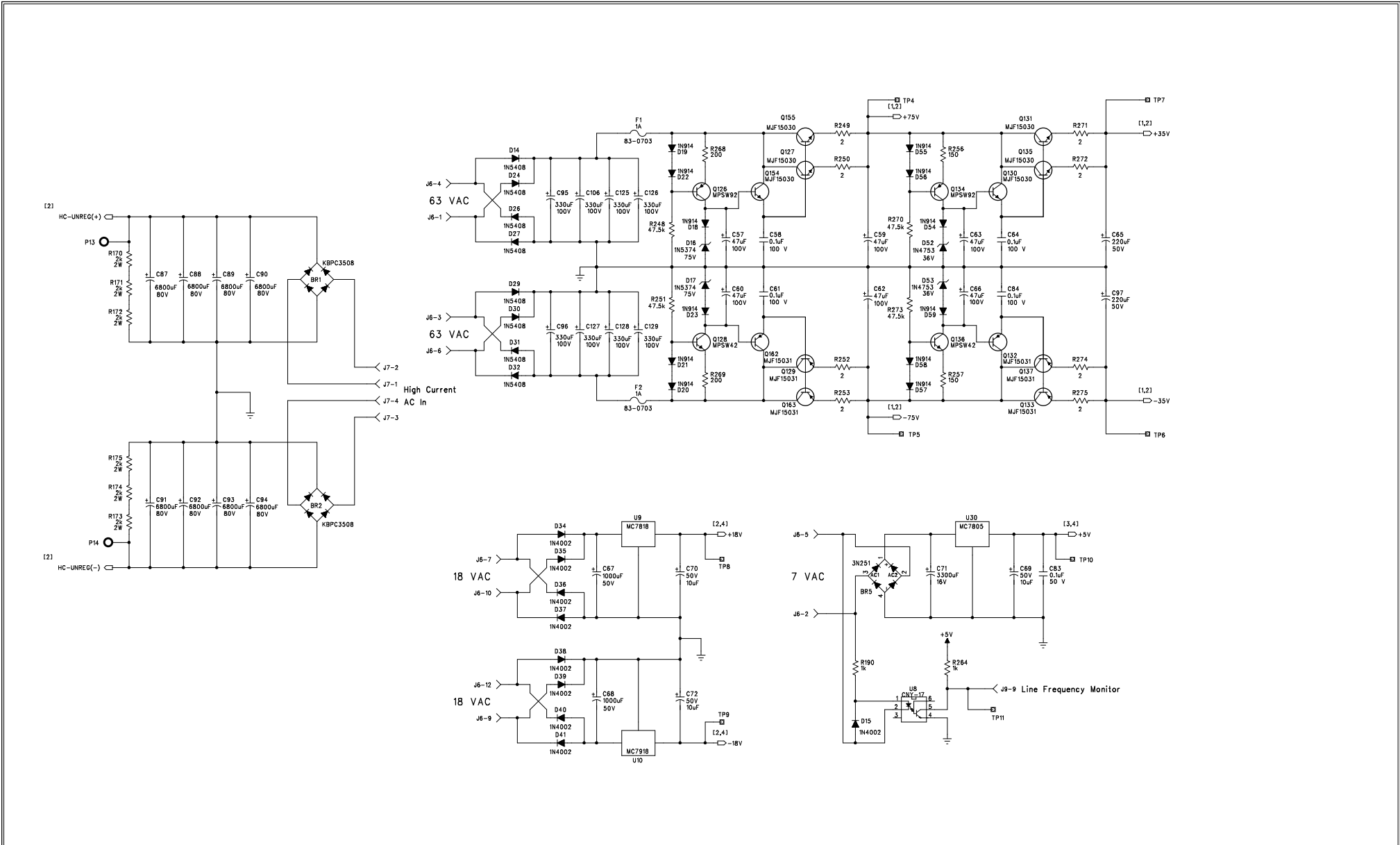


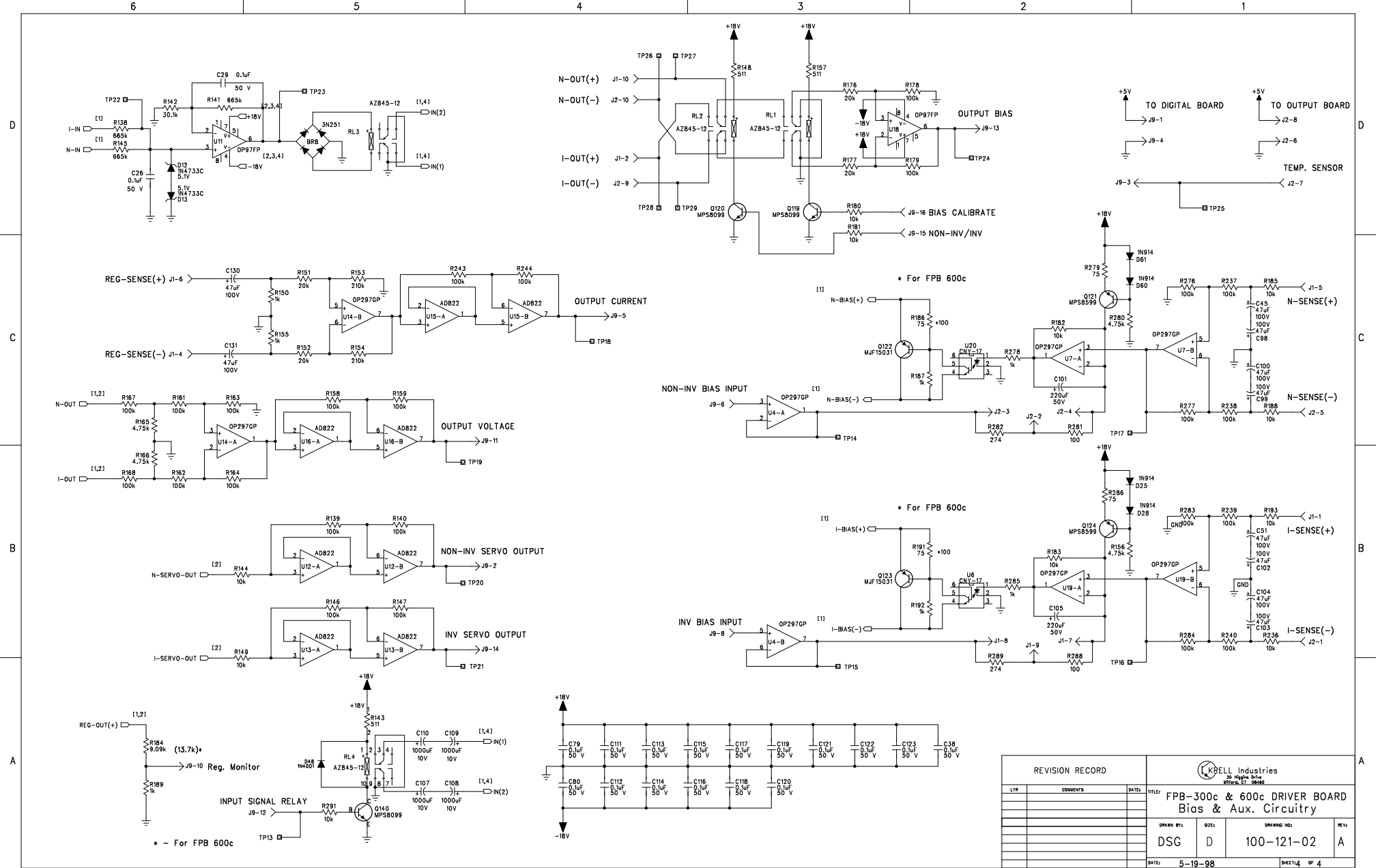
KRELL INDUSTRIES, INC.
45 Connair Road
Orange, CT 06477 USA

FPB-300c & 600c DRIVER BOARD
Input and Voltage Gain Stages
Drawing No. 100-121-02 Rev. A

Page 1 of 4
Drawn by DJP
Date: 5-19-98

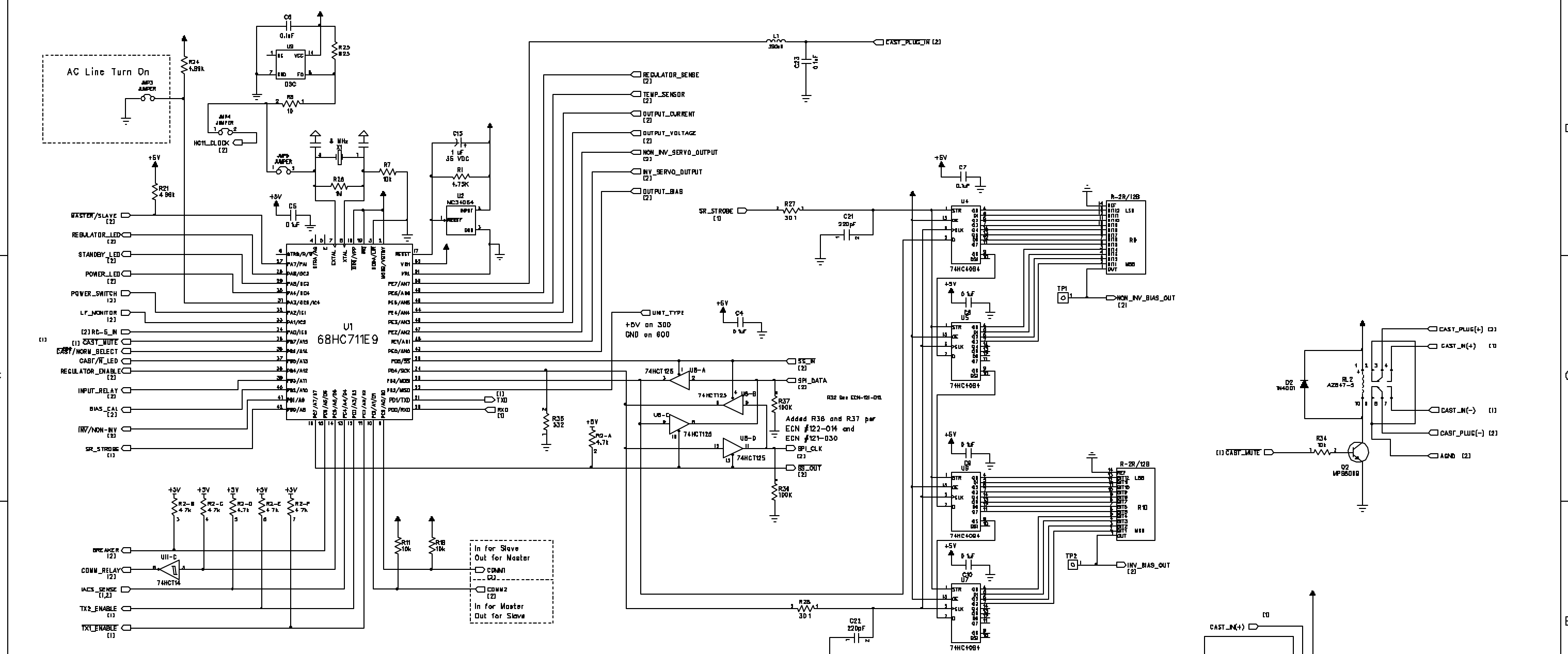
Rev.	Description	Date	Rev.	Description	Date	Rev.	Description	Date
A	Added comp. caps for cost oper. C39-42	12-4-98						
A1	Change MPQ6600 with 9C547C & BC557C.	9-23-99						



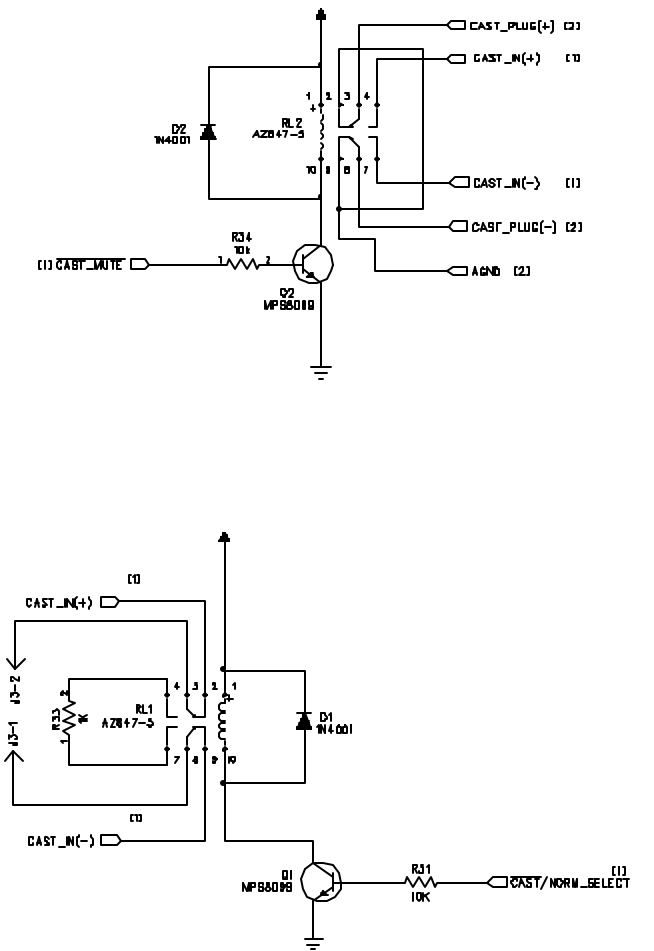
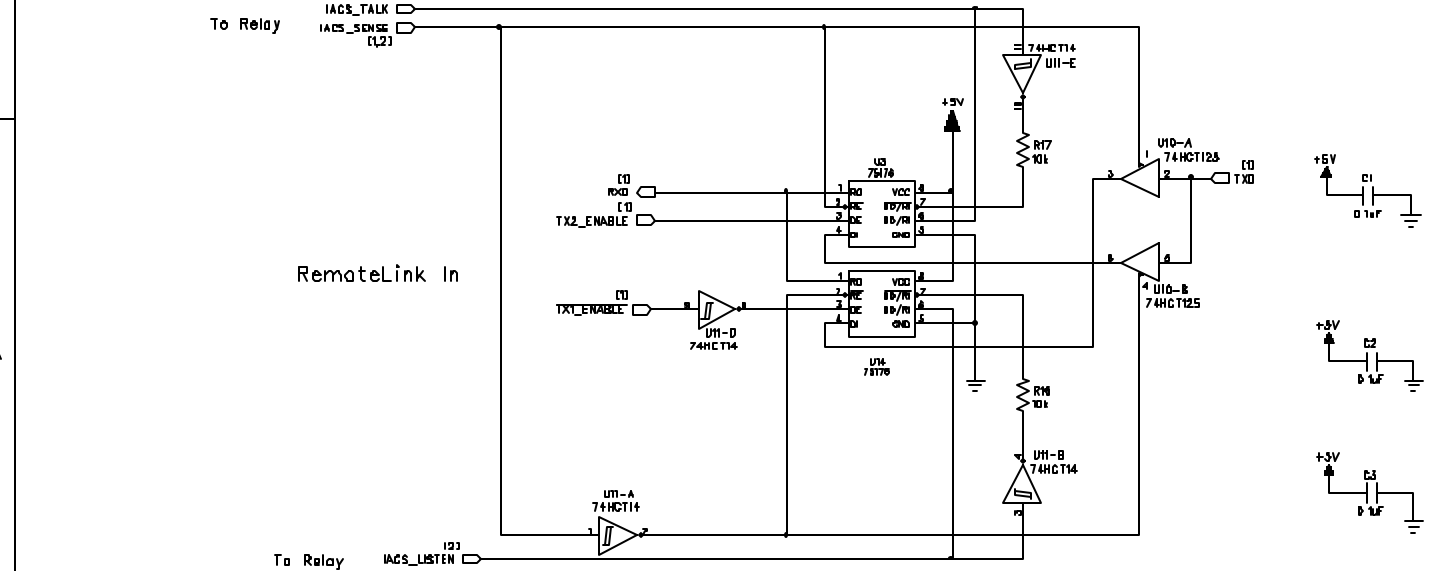


REVISION RECORD			
REV	COMMENTS	DATE	

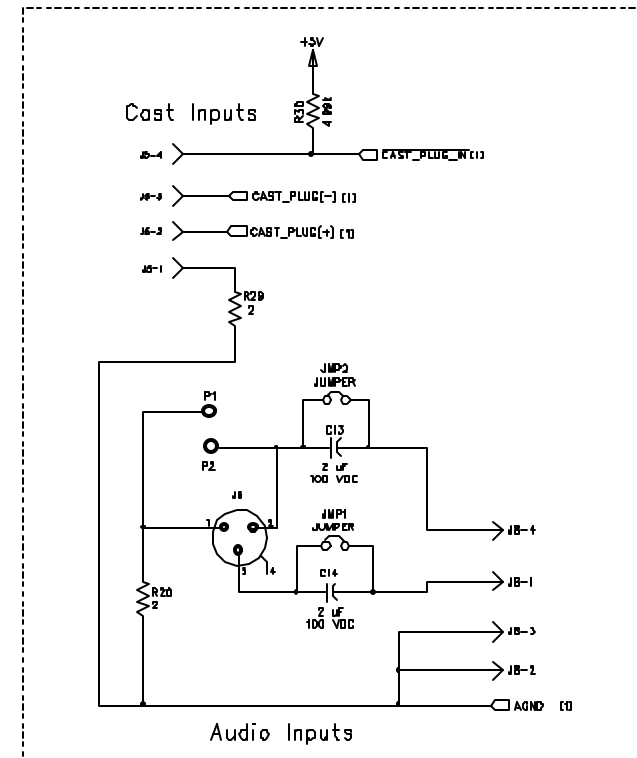
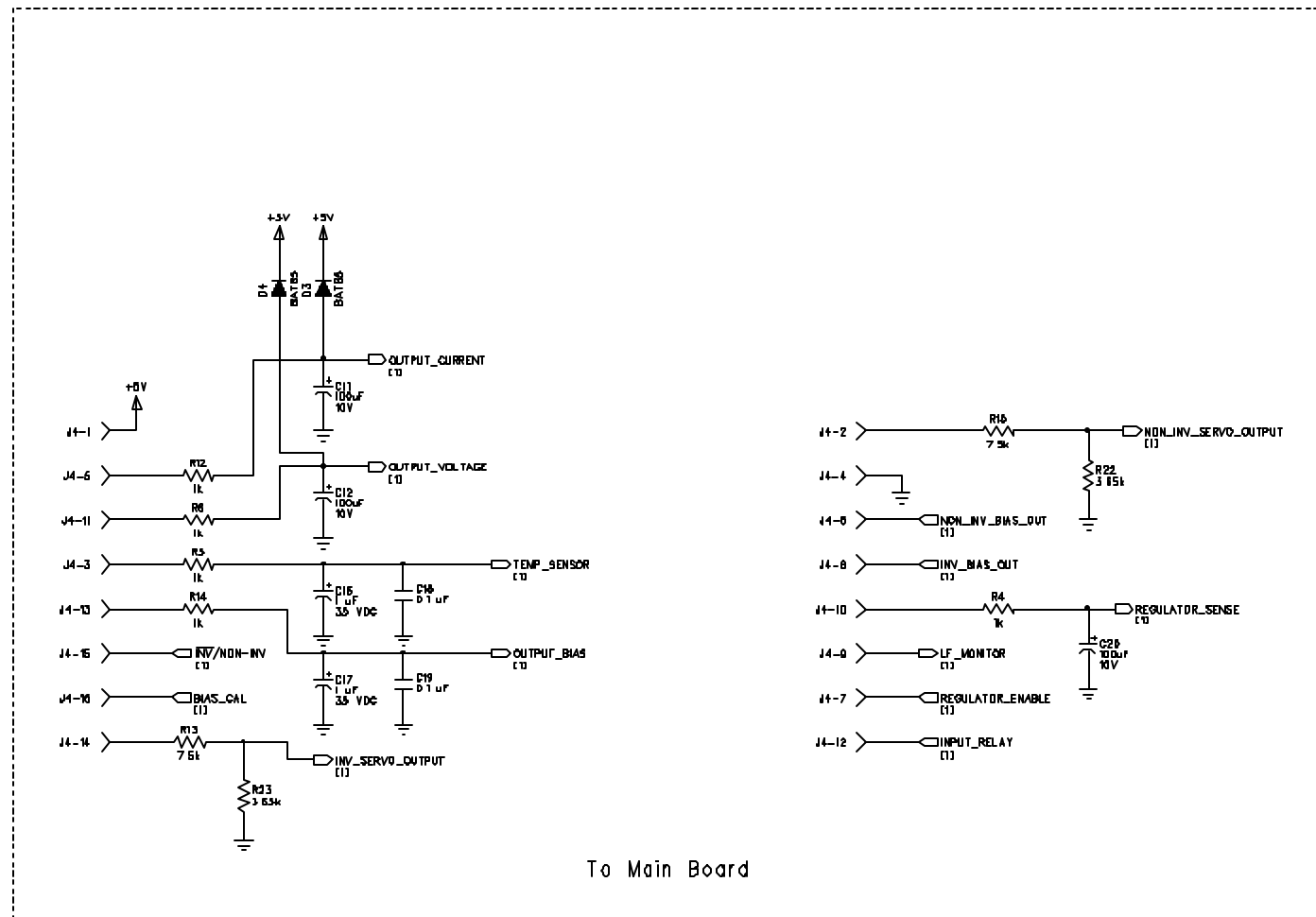
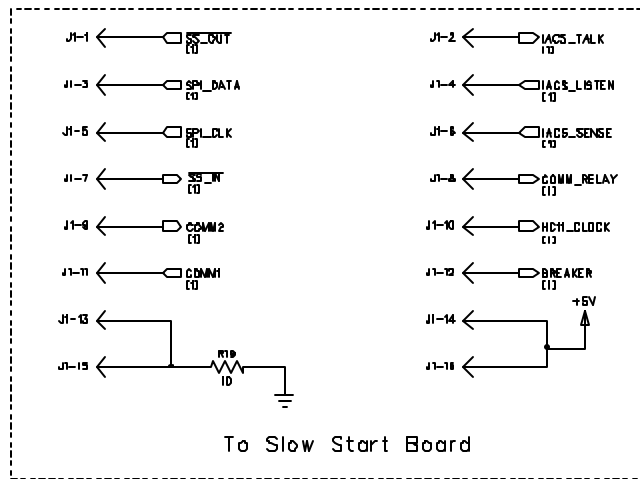
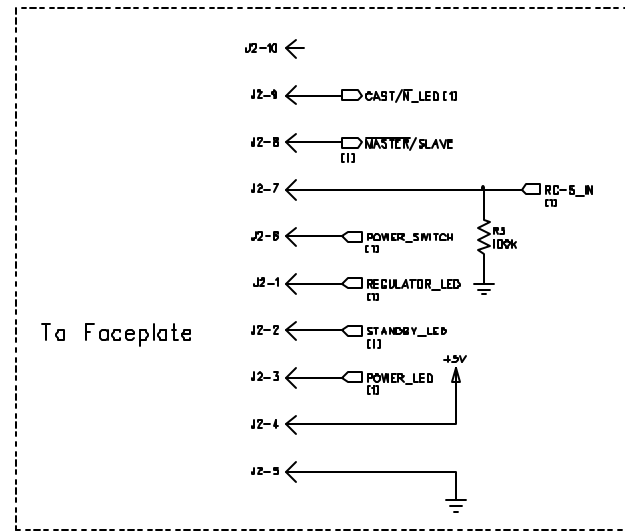
 KRELL Industries 39 High St Bristol, VT 05408			
TITLE: FPB-300c & 600c DRIVER BOARD Bias & Aux. Circuitry			
DRAWN BY: DSG	SIZE: D	DRAWING NO: 100-121-02	REV: A
DATE: 5-19-98		SHEET 4 OF 4	



RemoteLink Communication System



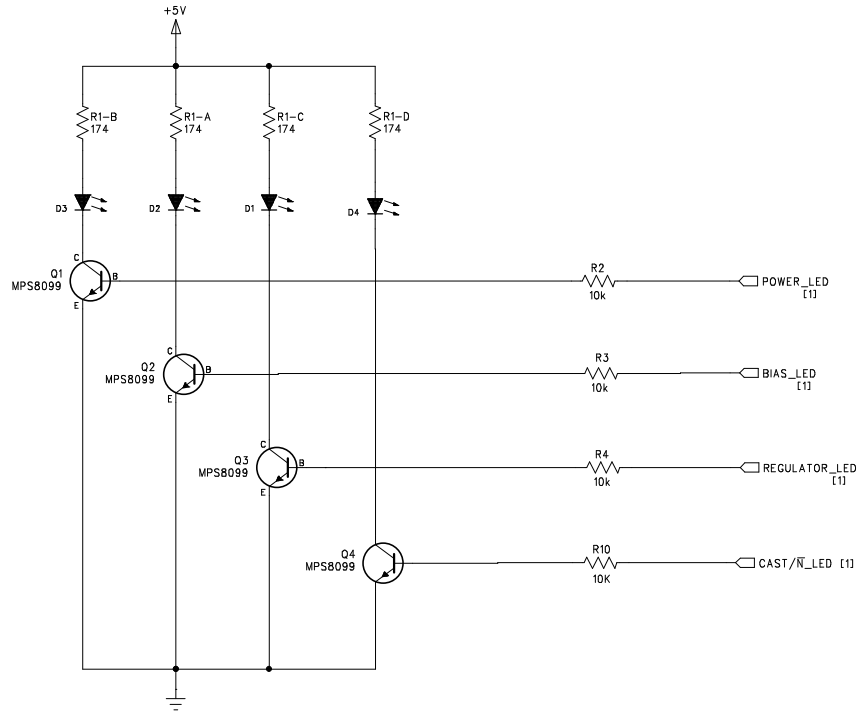
Revision Record		KRELL Industries 40 Cherry Road Orange, CT 06477	
D		FPB-600c/650Mc Digital Board	
C			
B	Moved J6 on PCB. Removed deglitch resistor R32.	03-30-99	Drawn By: DJP
A	Added deglitch resistors R32, R35.	12-4-98	
	Chngd oper. of RL2 from open to short to gnd.		Sheet #: 1 of 2
	Chngd phase of signal from J3 to relays.		
	Added new transceiver circuitry U3, U4.		
	Original Drawing	6-9-98	



Revision Record		KRELL Industries 40 Cherry Road Orange, CT 06477	
G		FPB 300e & 600e Digital Board Connectors	
F			
E			
D			
C			
B		Drawn By: DJP	Drawing #: 100-121-03
A		Sheet #: 2 of 2	Sheet Size D
- Original Drawing		6-9-98	

6 5 4 3 2 1

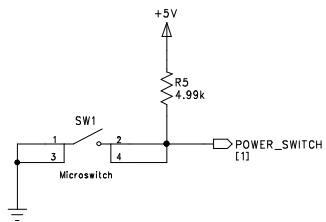
D



C

B

A

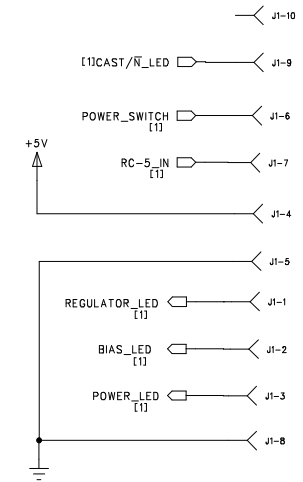
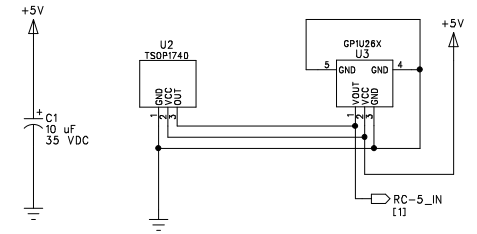


D

C

B

A



REVISION RECORD			KRELL Industries 45 Connair Drive Orange, CT 06477	
LTR	COMMENTS	DATE:	TITLE:	
			FPB-300c & 600c FACEPLATE BOARD	
			DRAWN BY:	SIZE:
			DJP	C
			DRAWING NO:	REV:
			100-121-04	A
B	Changed IR detector	4/00		
A	Moved conn J1 p10 to p9.	12/98		
-	Original Drawing	6/98		
			DATE: 06-17-98	SHEET: 1 of 1

6

5

4

3

2

1

D

D

C

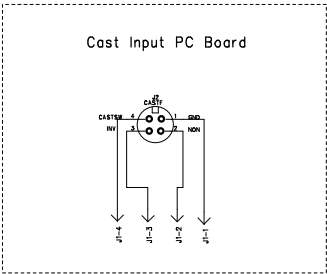
C

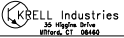
B

B

A

A



REVISION RECORD			 <small>30 High St. Drive Rivers, CT 06460</small>		
LR#	COMMENTS	DATE	TITLE:		
A	Changed detail on PC board.	11-18-98	FPB-300c & 600c Cast Board		
			DRAWN BY:	SIZE:	DRAWING NO:
			DJP	D	100-121-07
					REV:
					A
			DATE:	07-30-98	SHEET: 1 of 1