

KRELL INDUSTRIES, INC.
45 Connair Road
Orange, CT 06477 USA

FPB 300
Output Board
Drawing No. 100-077-01 Rev. -

Page 1 of 1
Drawn by T. Eichenbaum
Date: August 1995

Rev.	Description	Date
B	changed connections to 0.1uF caps, changed R130,R131,R158,R159 to 150 ohms, changed C77,C78,C79,C80 to 680pF	1/28/98

Rev.	Description	Date

Rev.	Description	Date

Rev.	Description	Date

6

5

4

3

2

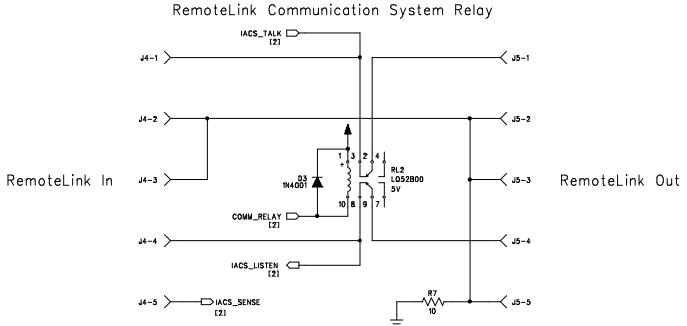
1

D

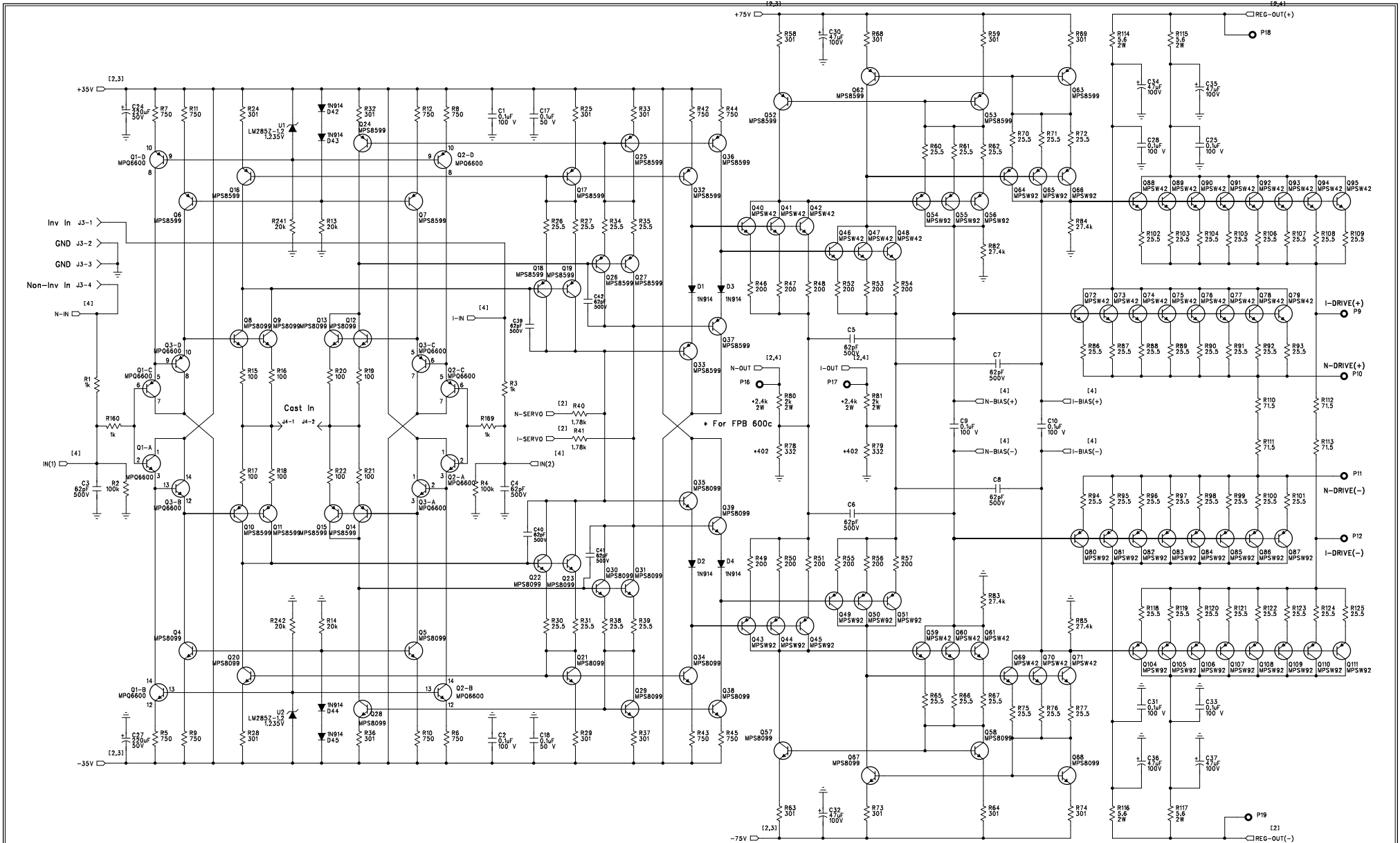
C

B

A



REVISION RECORD			KRELL Industries 30 High Drive Brockton, MA 01909		
REV	COMMENTS	DATE	TITLE: FPB 300/600 SLOW START		
1	PROTOTYPE	10/95	DRAWN BY: SGF	SIZE: D	DRAWING NO: 100-077-06
					REV: B
			DATE: 10-27-95	SHEET: 2 of 2	



KRELL INDUSTRIES, INC.
45 Connair Road
Orange, CT 06477 USA

FPB-300c & 600c DRIVER BOARD
Input and Voltage Gain Stages

Page 1 of 4
Drawn by dJp
Date: 5-19-98

Rev.	Description	Date	Rev.	Description	Date	Rev.	Description	Date
A	Added comp. caps for cost oper. C39-42	12-4-98						
A1	Change MPQ6600 with 9C547C & BC557C.	9-23-99						

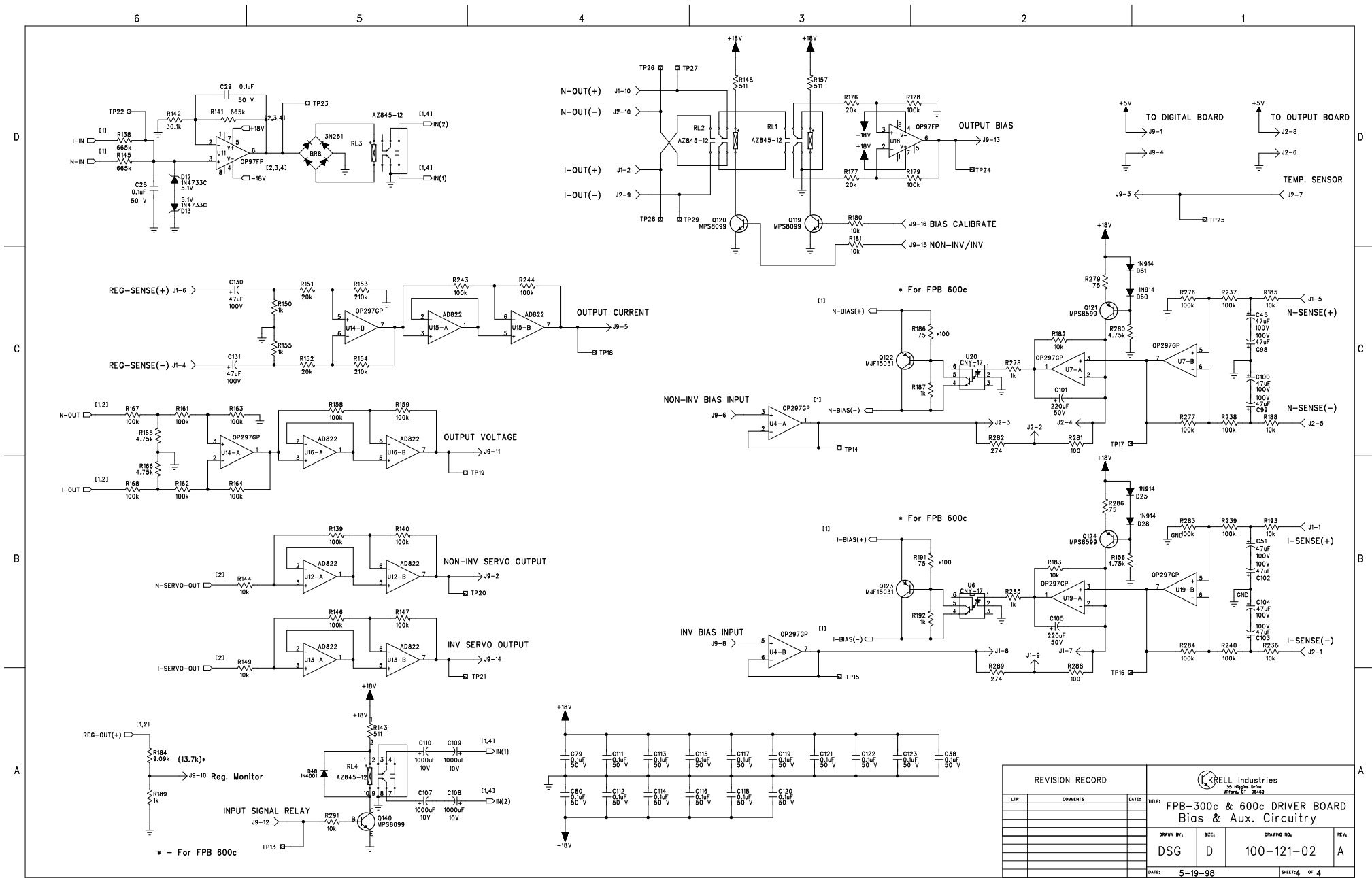
Drawing No. 100-121-02

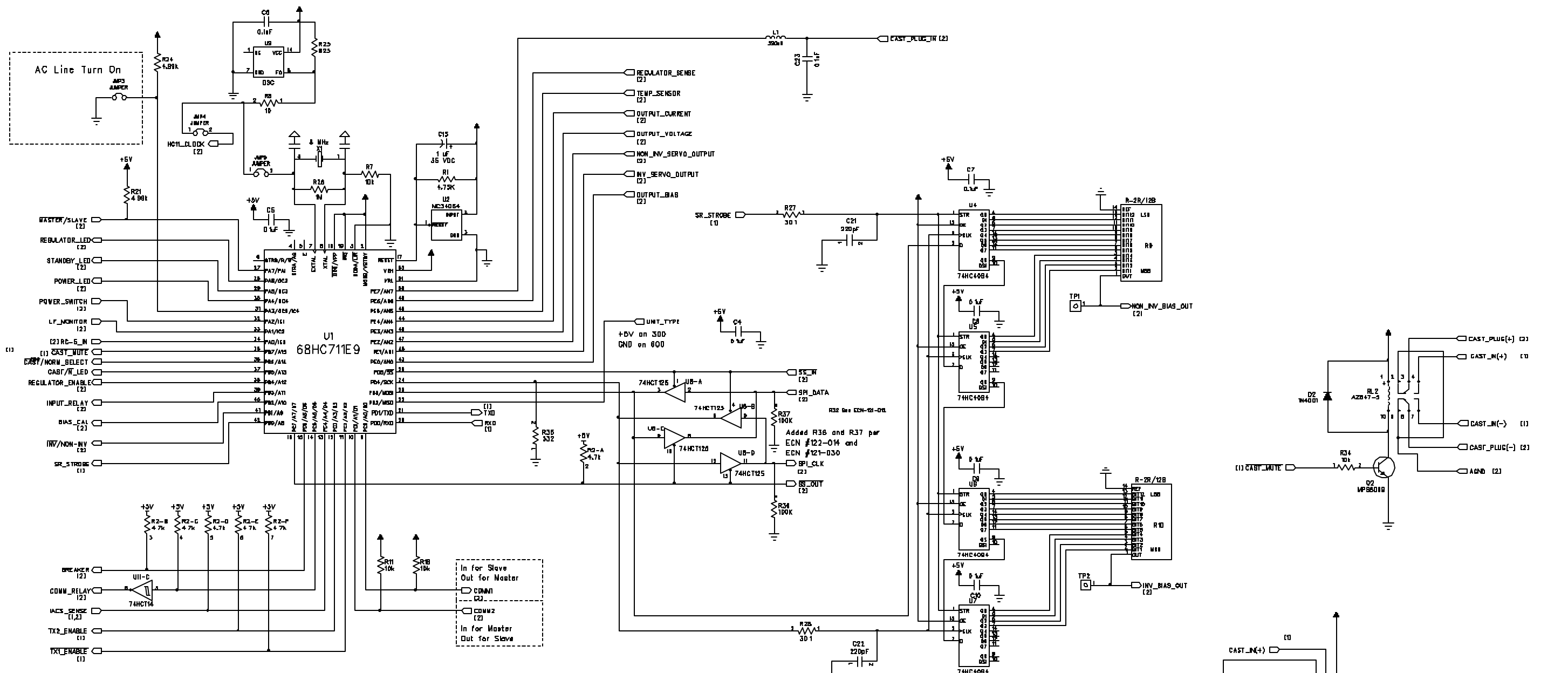
Rev. A

Date: 5-19-98

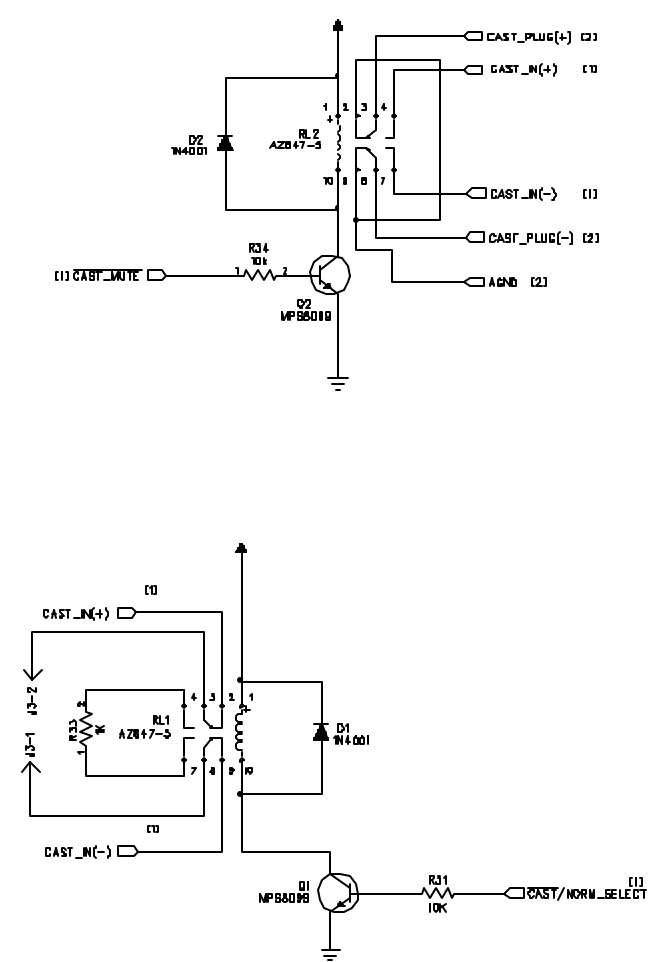
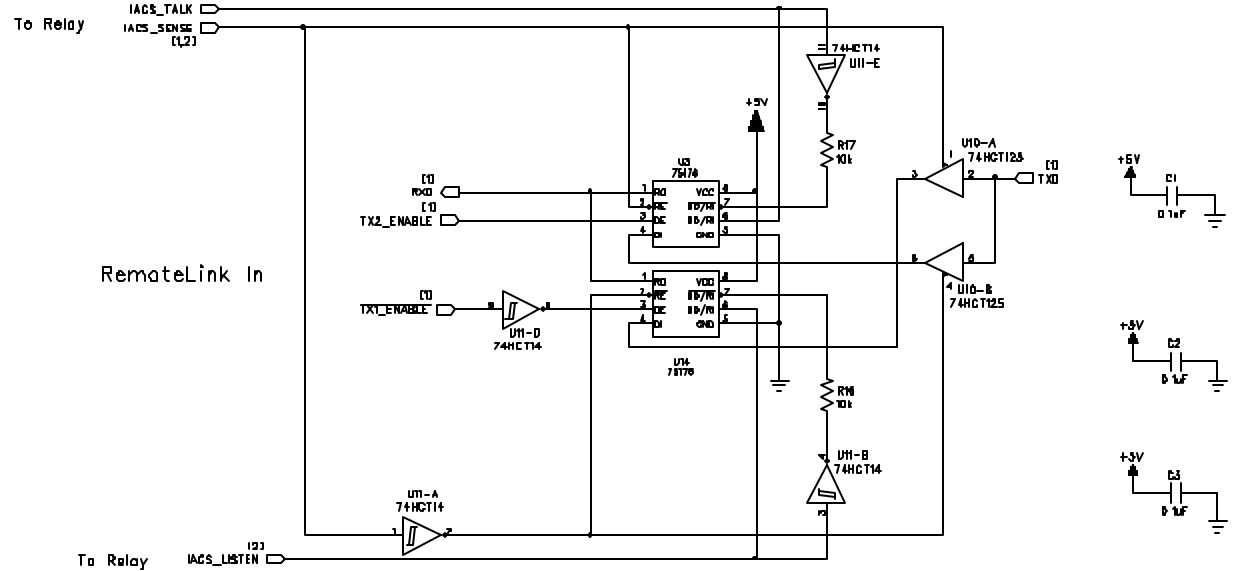
[2,3]

REG-OUT(-)

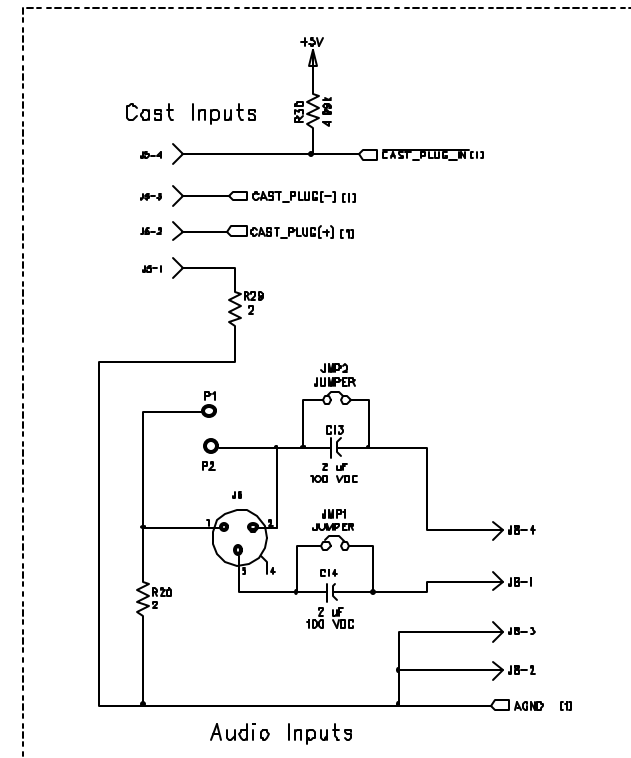
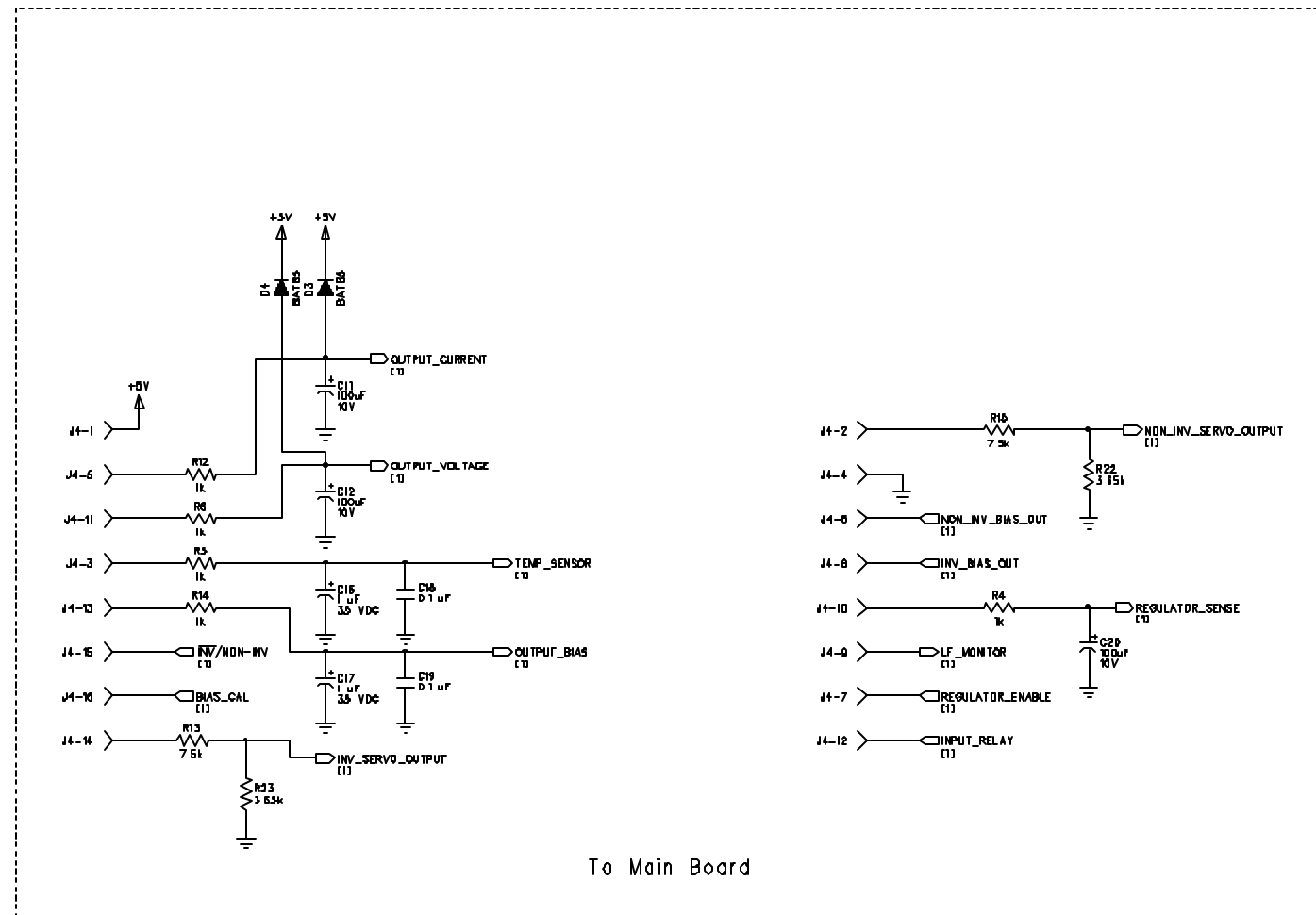
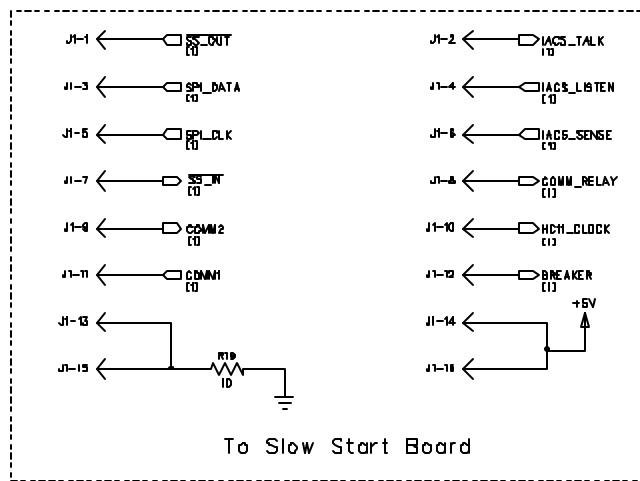
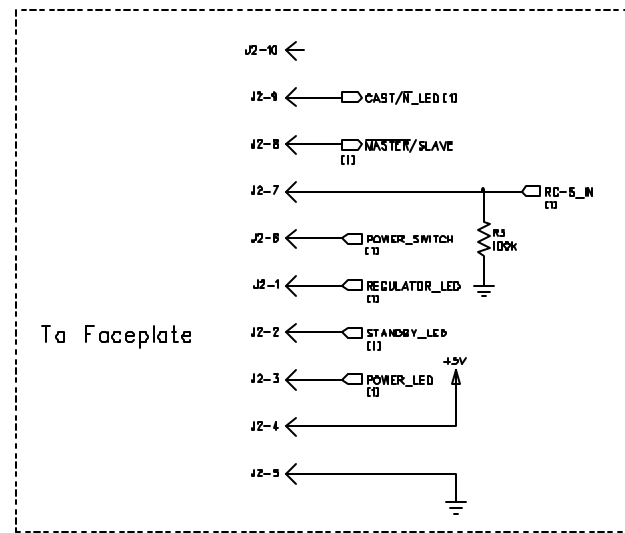




RemoteLink Communication System



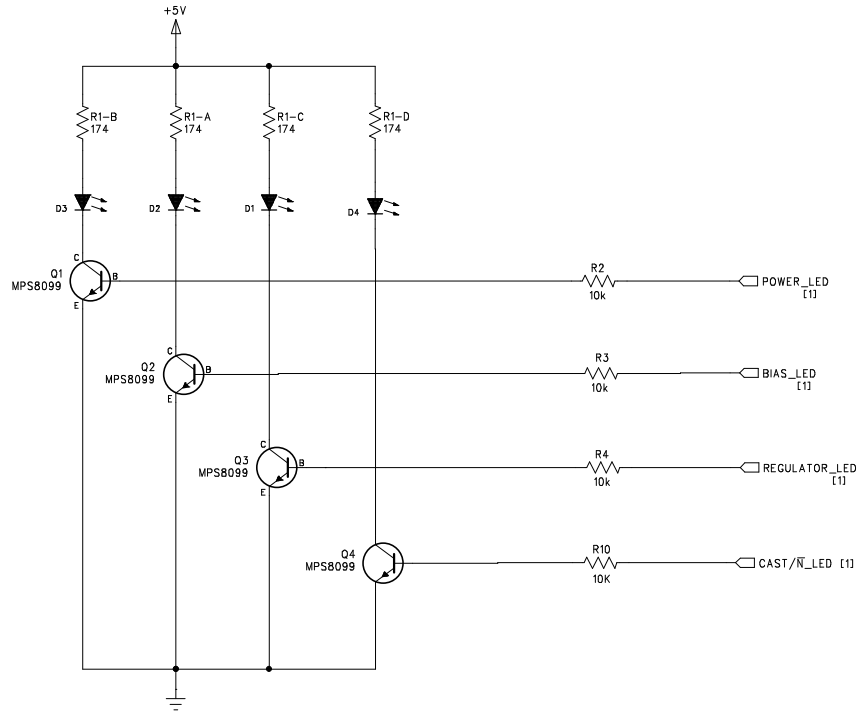
Revision Record		KRELL Industries 450 Cheshire Road Orange, CT 06477	
D		FPB-600c/650Mc Digital Board	
C			
B	Moved J6 on PCB. Removed deglitch resistor R32.	03-30-99	Drawn By: DJP
A	Added deglitch resistors R32, R35.	12-4-98	
	Chngd oper. of RL2 from open to short to gnd.		Sheet #: 1 of 2
	Chngd phase of signal from J3 to relays.		
	Added new transceiver circuitry U3, U4.		
	Original Drawing	6-9-98	



Revision Record		KRELL Industries 40 Cherry Road Orange, CT 06477		
G		FPB 300e & 600e Digital Board Connectors		
F				
E				
D				
C				
B				
A		Drawn By: DJP	Drawing #: 100-121-03	
- Original Drawing		6-9-98	Sheet #: 2 of 2	Sheet Size D

6 5 4 3 2 1

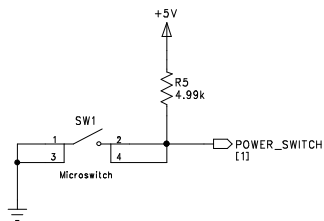
D



C

B

A

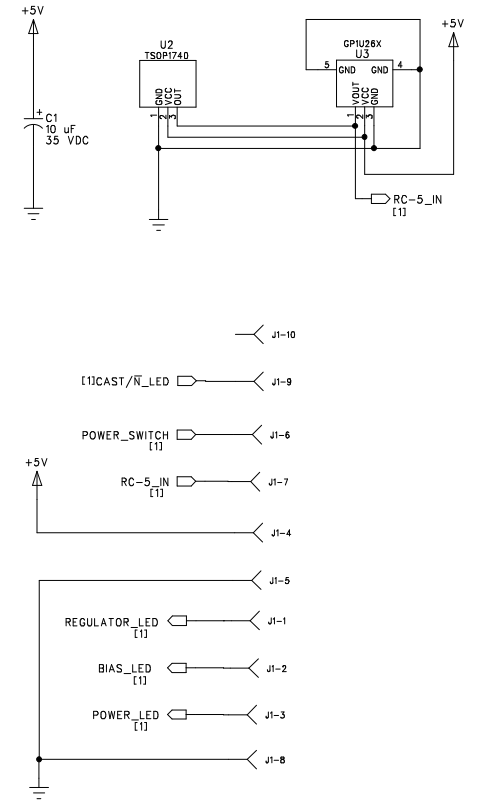


D

C

B

A



REVISION RECORD			KRELL Industries 45 Connair Drive Orange, CT 06477	
LTR	COMMENTS	DATE:	TITLE:	
			FPB-300c & 600c FACEPLATE BOARD	
			DRAWN BY:	SIZE:
			DJP	C
			DRAWING NO:	REV:
			100-121-04	A
B	Changed IR detector	4/00		
A	Moved conn J1 p10 to p9.	12/98		
-	Original Drawing	6/98		
			DATE: 06-17-98	SHEET: 1 of 1

6

5

4

3

2

1

D

D

C

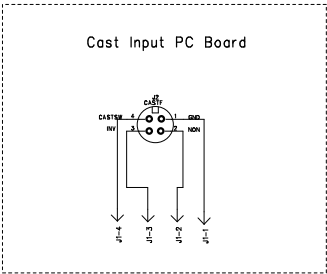
C

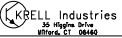
B

B

A

A



REVISION RECORD			 <small>30 High St. Dr. Weymouth, MA 01980</small>		
LR#	COMMENTS	DATE	TITLE		
A	Changed detail on PC board.	11-18-98	FPB-300c & 600c Cast Board		
			DRAWN BY:	SIZE:	DRAWING NO:
			DJP	D	100-121-07
					REV:
					A
			DATE:	07-30-98	SHEET: 1 of 1