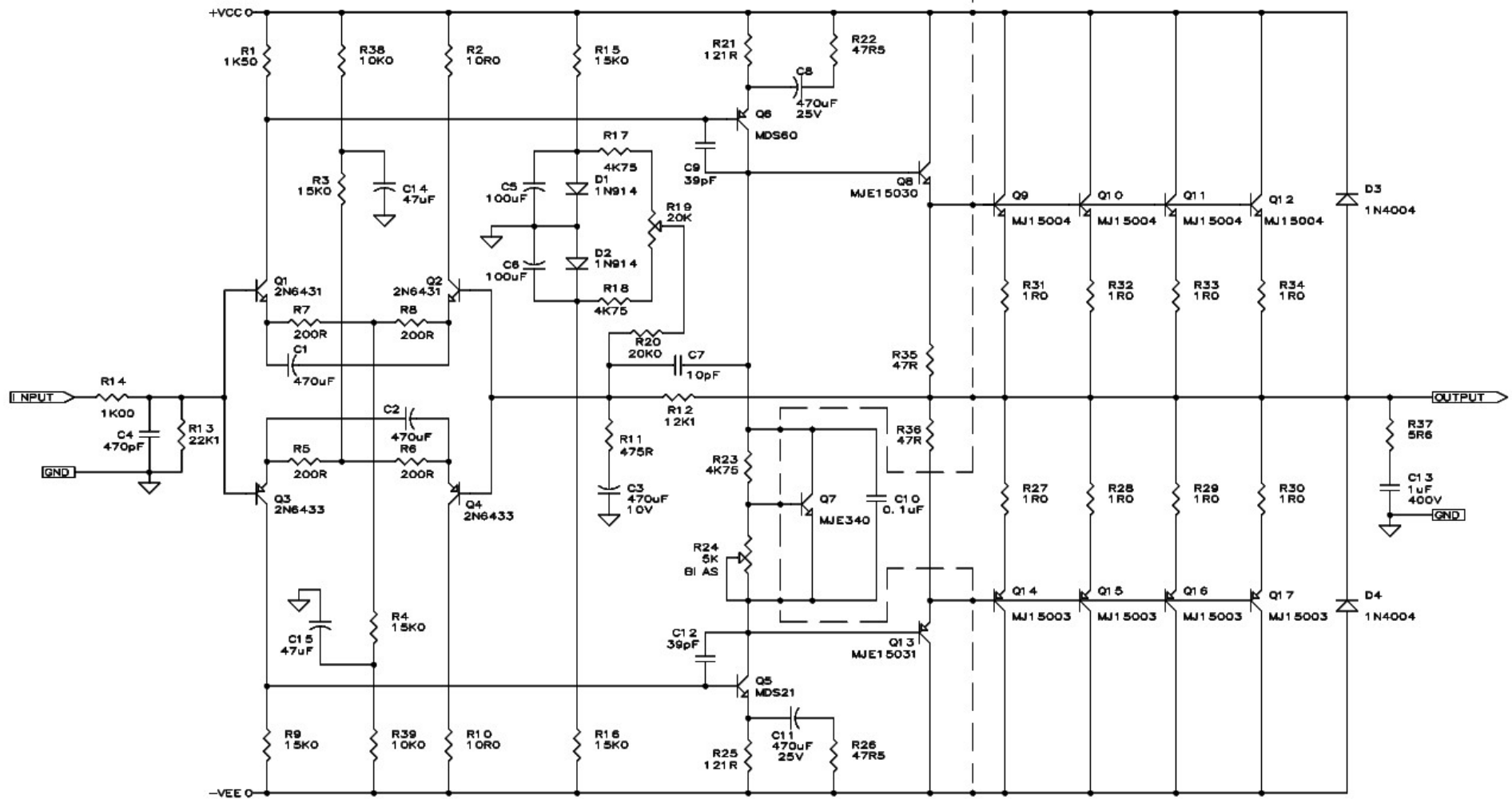


MAIN BRD < > HEATSINK



- NOTES: 1) BIAS: ADJUST R24 FOR 575 mV ACROSS 1R0 EMITTER RESISTORS.  
 2) OFFSET: SHORT INPUT. ADJUST R19 FOR 0mV AT OUTPUT. OFFSET TOLERANCE: 30 mV.

Title		
KSA-100 (BEFORE 1983)		
Size	Document Number	REV
B		
Date: November 25, 2004 Sheet 1 of 1		