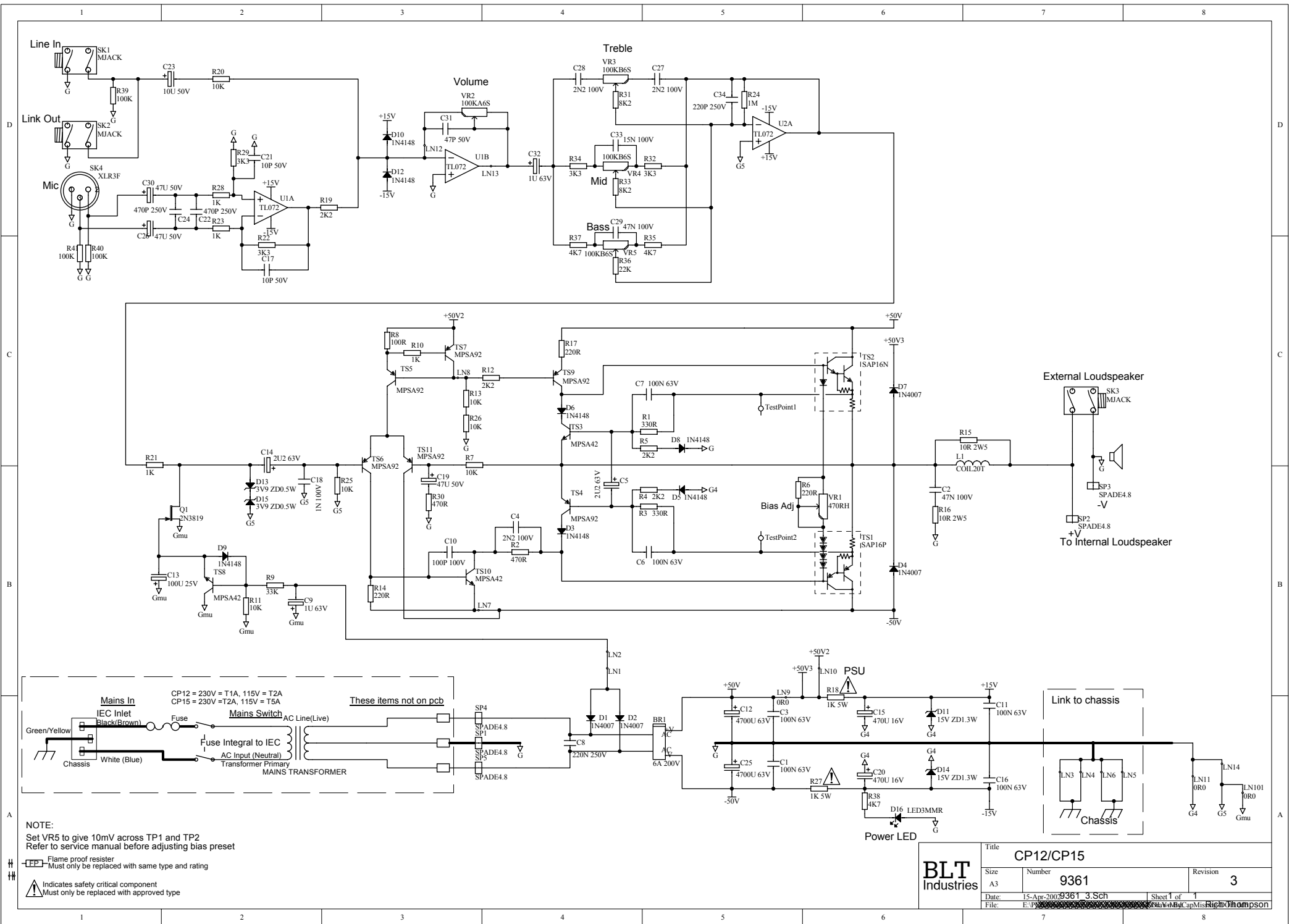


CP12-15

Service Information

Laney
Classic British Amplification

Newlyn Road, Cradley Heath, West Midlands. B64 6BE
www.laney.co.uk



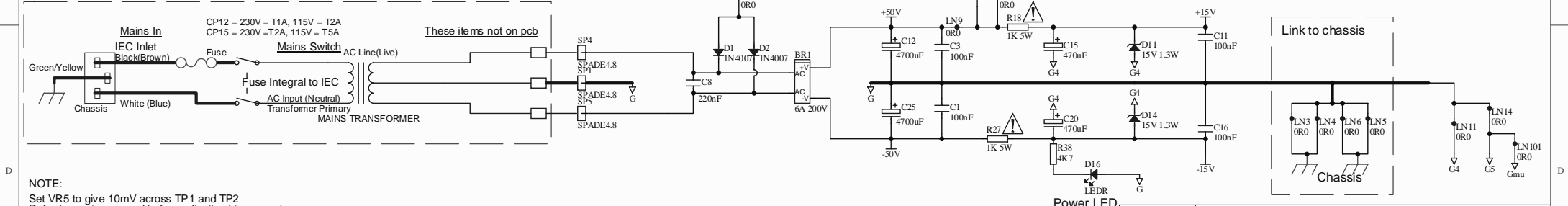
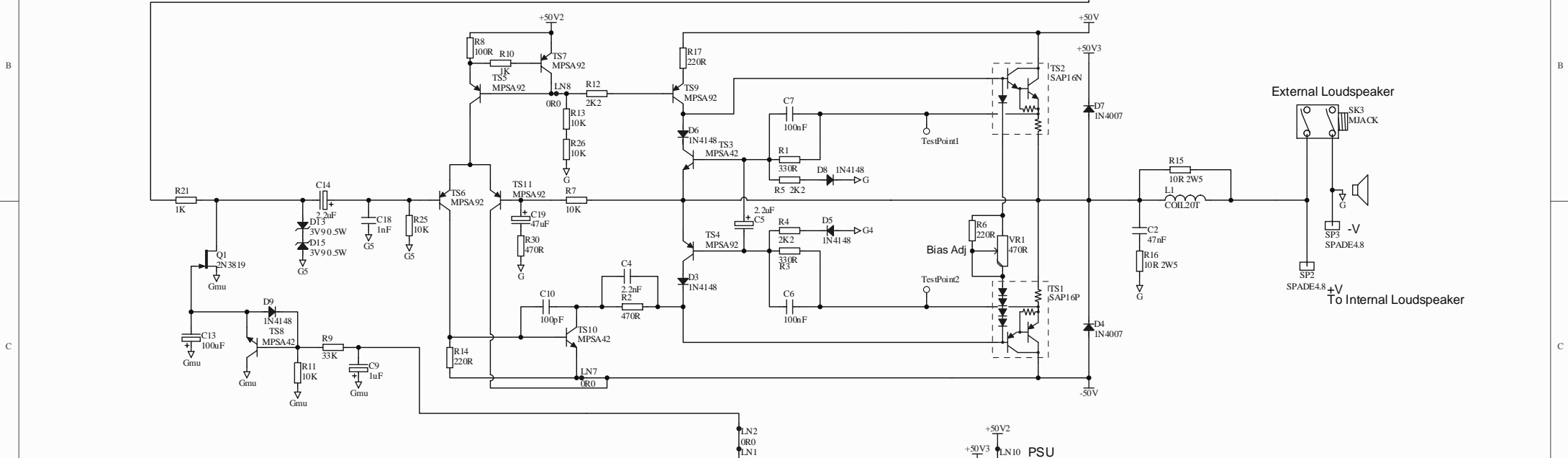
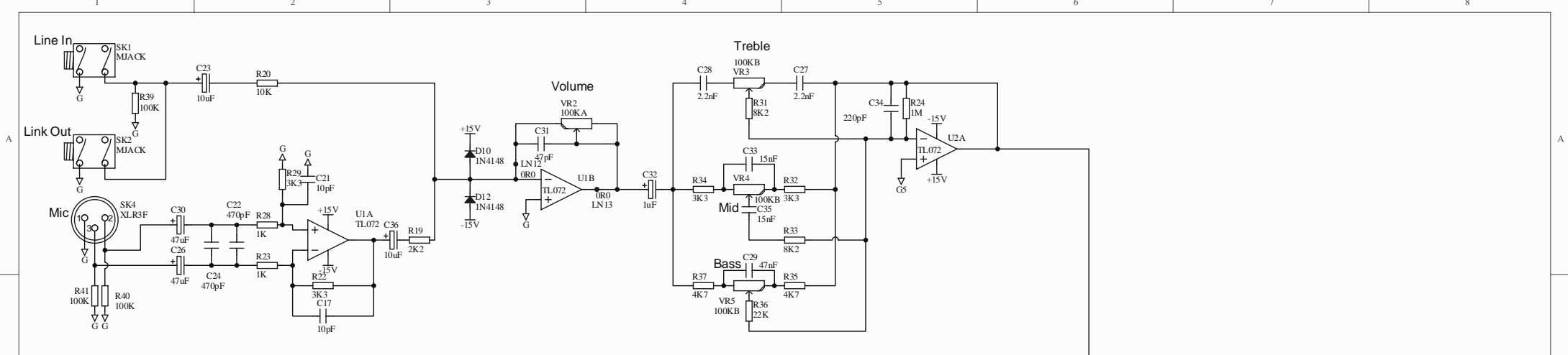
NOTE:
 Set VR5 to give 10mV across TP1 and TP2
 Refer to service manual before adjusting bias preset

⚡ Flame proof resistor
 Must only be replaced with same type and rating

⚠ Indicates safety critical component
 Must only be replaced with approved type

Title		CP12/CP15	
Size	A3	Number	9361
Revision		3	
Date	15-Apr-2009	Sch	3
File	E:\P2\2009\9361\3\Sch\CP12\CP15.CAD		

BLT
Industries



NOTE:
 Set VR5 to give 10mV across TP1 and TP2.
 Refer to service manual before adjusting bias preset

- Flame proof resistor
Must only be replaced with same type and rating
- Indicates safety critical component
Must only be replaced with approved type
- 50MMFINNEDHS
- 50MMFINNEDHS

BLT Industries		Title CP12/CP15	
		Size A3	Number 9361
Date 21/04/2004	Revision 4	Sheet 1 of 1	Drawn By: Rich Thompson
File: D:\Work-in-Progress\9361_4.Sch		Revision 4	