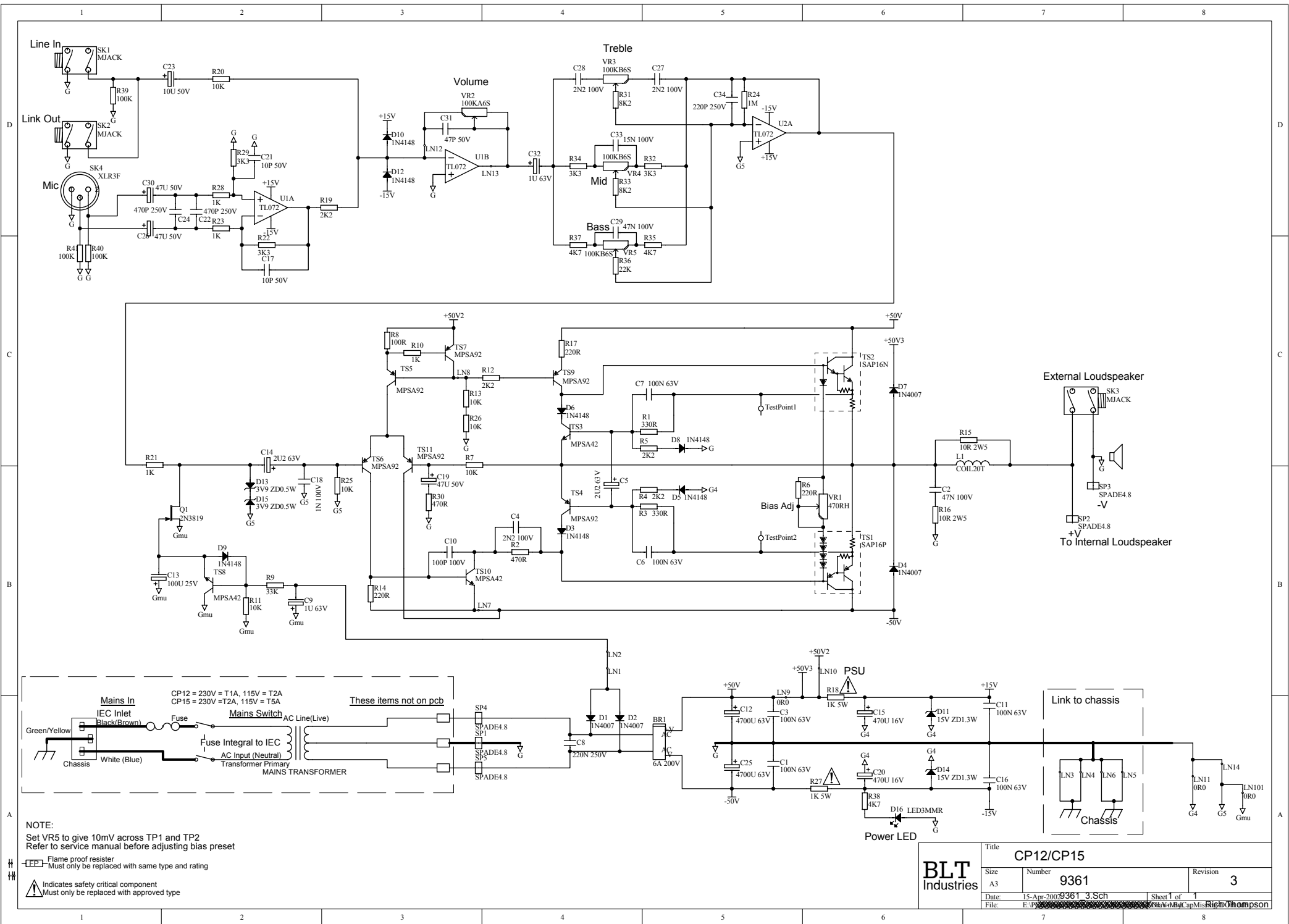


# **CP12-15**

## ***Service Information***

**Laney**  
*Classic British Amplification*

**Newlyn Road, Cradley Heath, West Midlands. B64 6BE**  
**[www.laney.co.uk](http://www.laney.co.uk)**



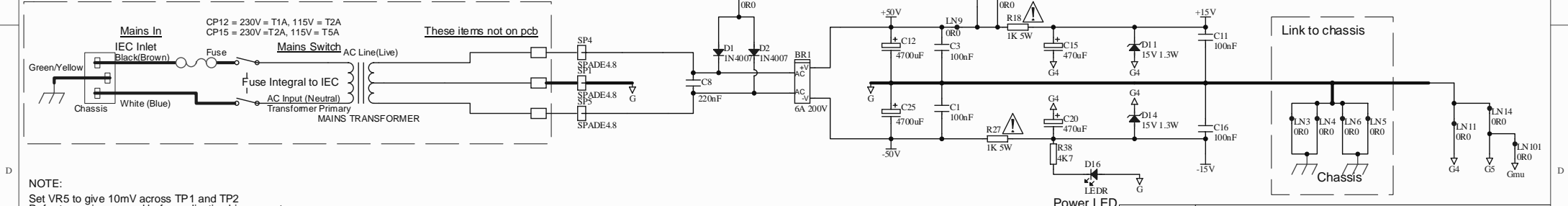
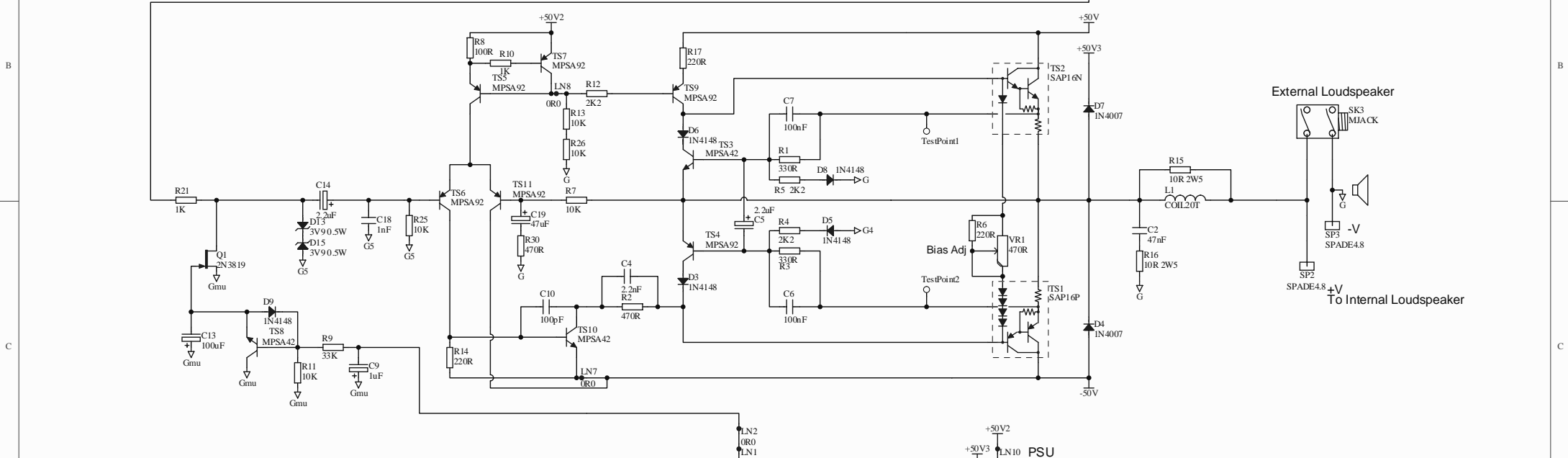
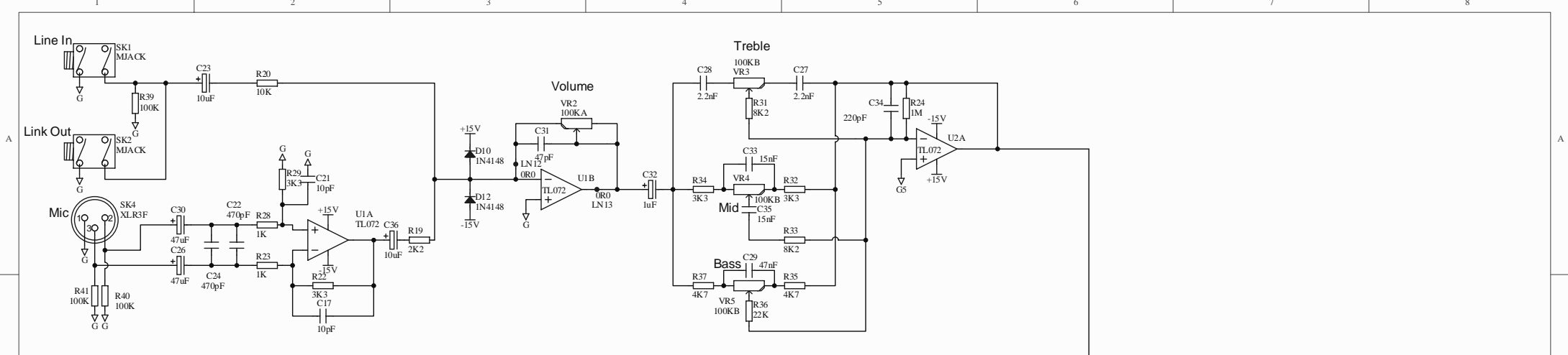
NOTE:  
 Set VR5 to give 10mV across TP1 and TP2  
 Refer to service manual before adjusting bias preset

⚡ Flame proof resistor  
 Must only be replaced with same type and rating

⚠ Indicates safety critical component  
 Must only be replaced with approved type

Title		CP12/CP15	
Size	Number	Revision	
A3	9361		3
Date	15-Apr-2009	3 Sch	Sheet 1 of 1
File	E:\P3\9361\9361_3_Sch\CP12\CP15_CapMis.cad		

**BLT Industries**



**NOTE:**  
 Set VR5 to give 10mV across TP1 and TP2.  
 Refer to service manual before adjusting bias preset

- Flame proof resistor  
Must only be replaced with same type and rating
- Indicates safety critical component  
Must only be replaced with approved type
- 50MMFINNEDHS
- 50MMFINNEDHS

<b>BLT Industries</b>		Title <b>CP12/CP15</b>	
		Size A3	Number <b>9361</b>
Date: 21/04/2004 9361_4.Sch		Revision <b>4</b>	Sheet 1 of 1
File: D:\Work-in-Progress\9361_4.Sch		Drawn By: <b>Rich Thompson</b>	