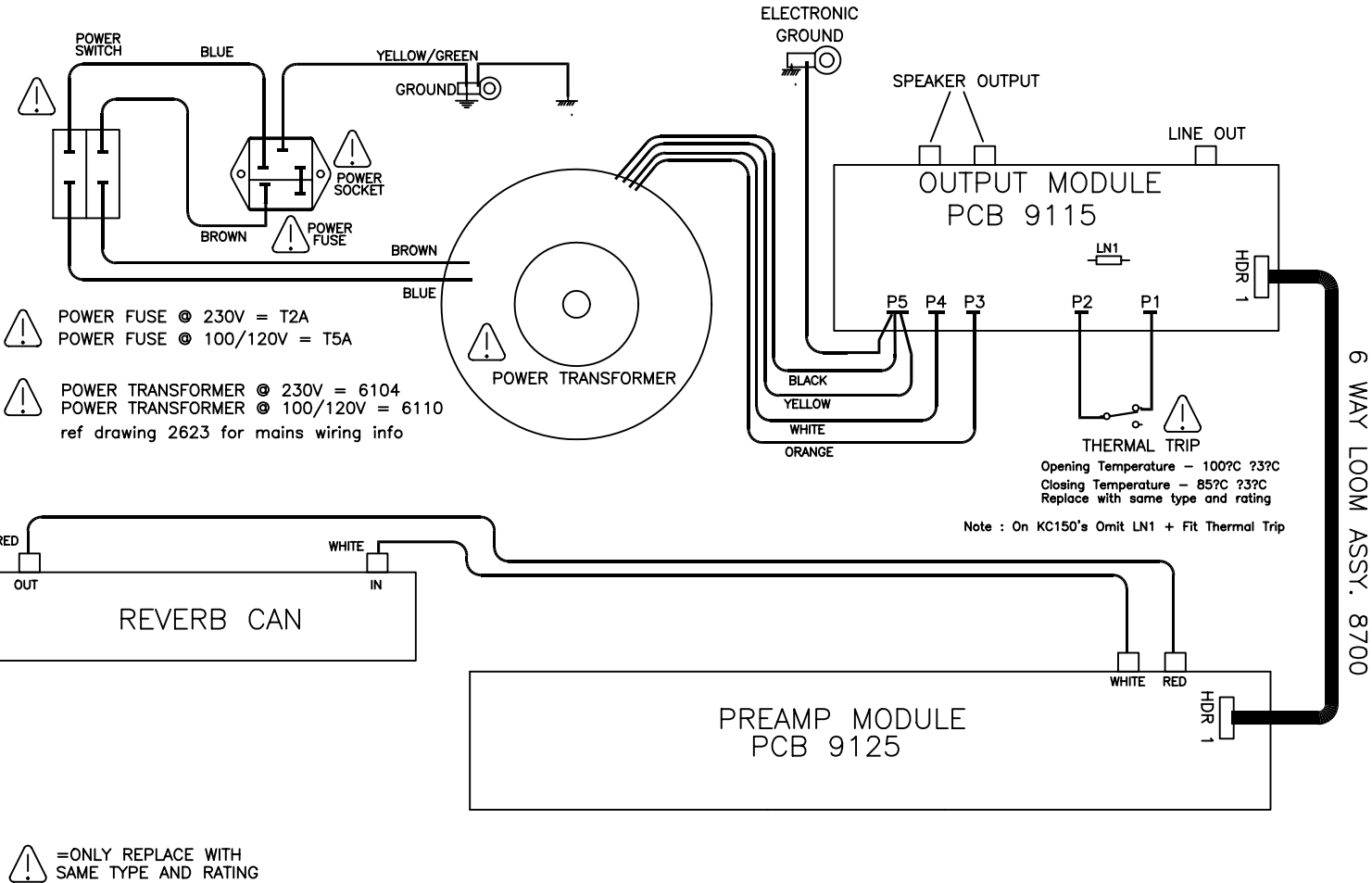


# Laney

**Service Diagrams**



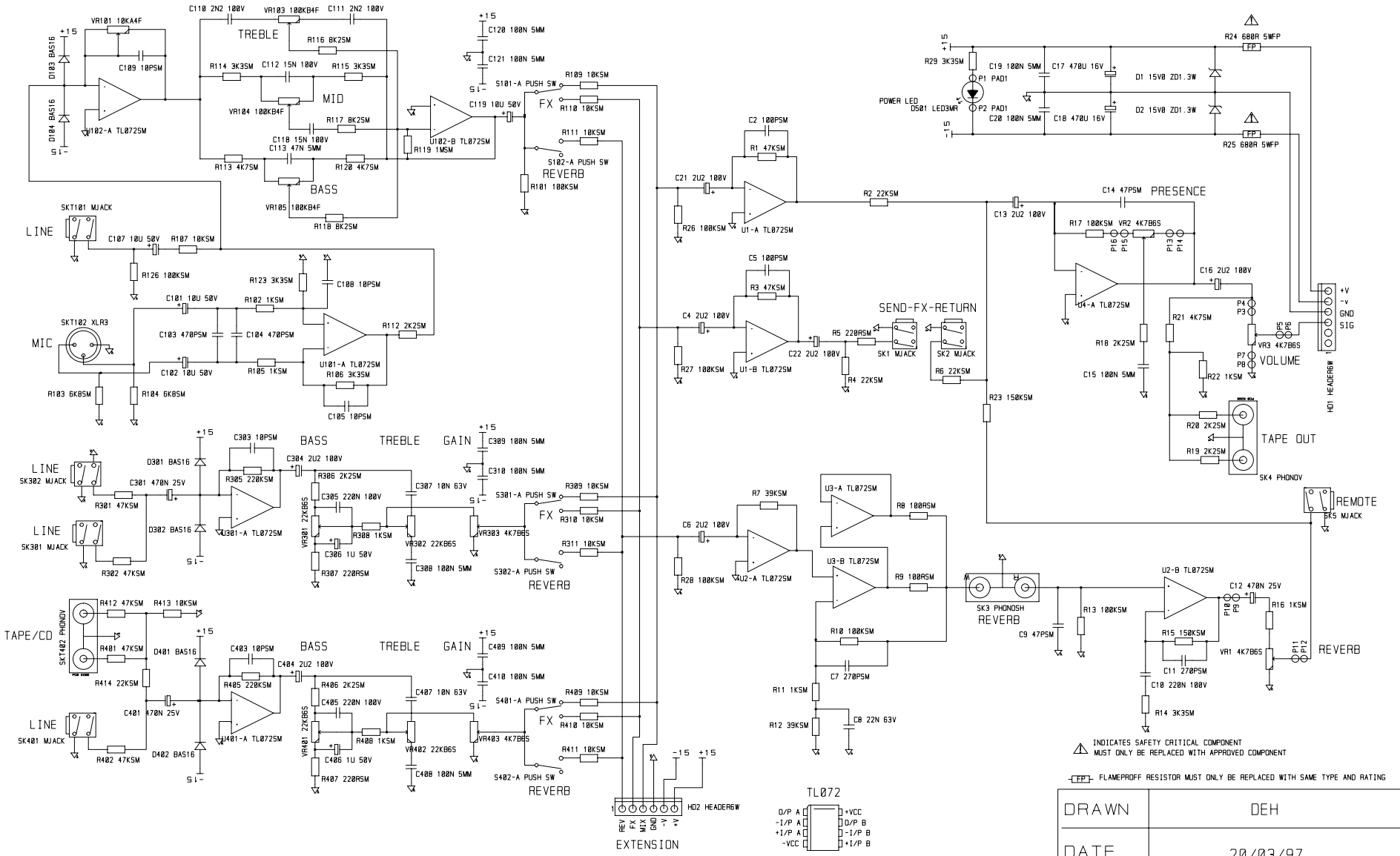
! = ONLY REPLACE WITH SAME TYPE AND RATING

ISSUE	DESCRIPTION	APPD.	DATE

**BLT**  
 Industries Ltd.

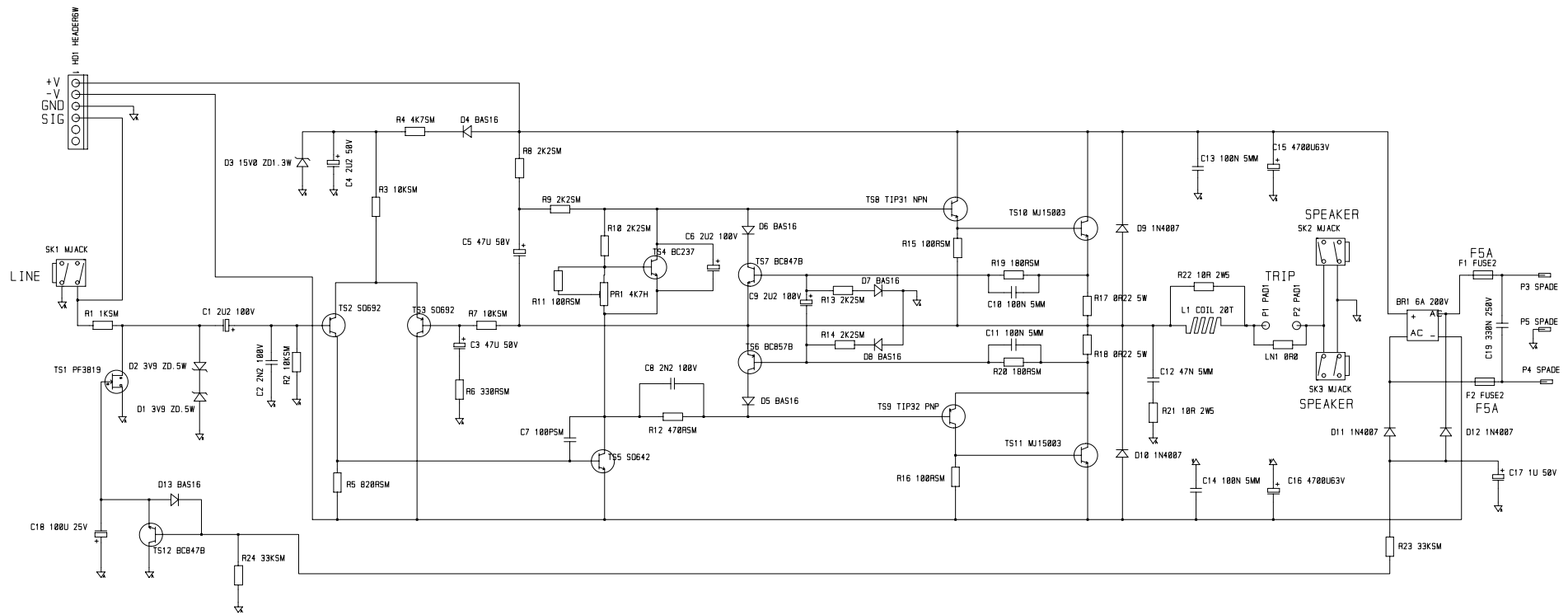
**TITLE**  
 KC150 SERVICE  
 DAIGRAM  
 PART No

DRAWN	TRACED	CHECKED	APPROVED	DATE
S.L.				11/04/97
DRAWING No.		2620		



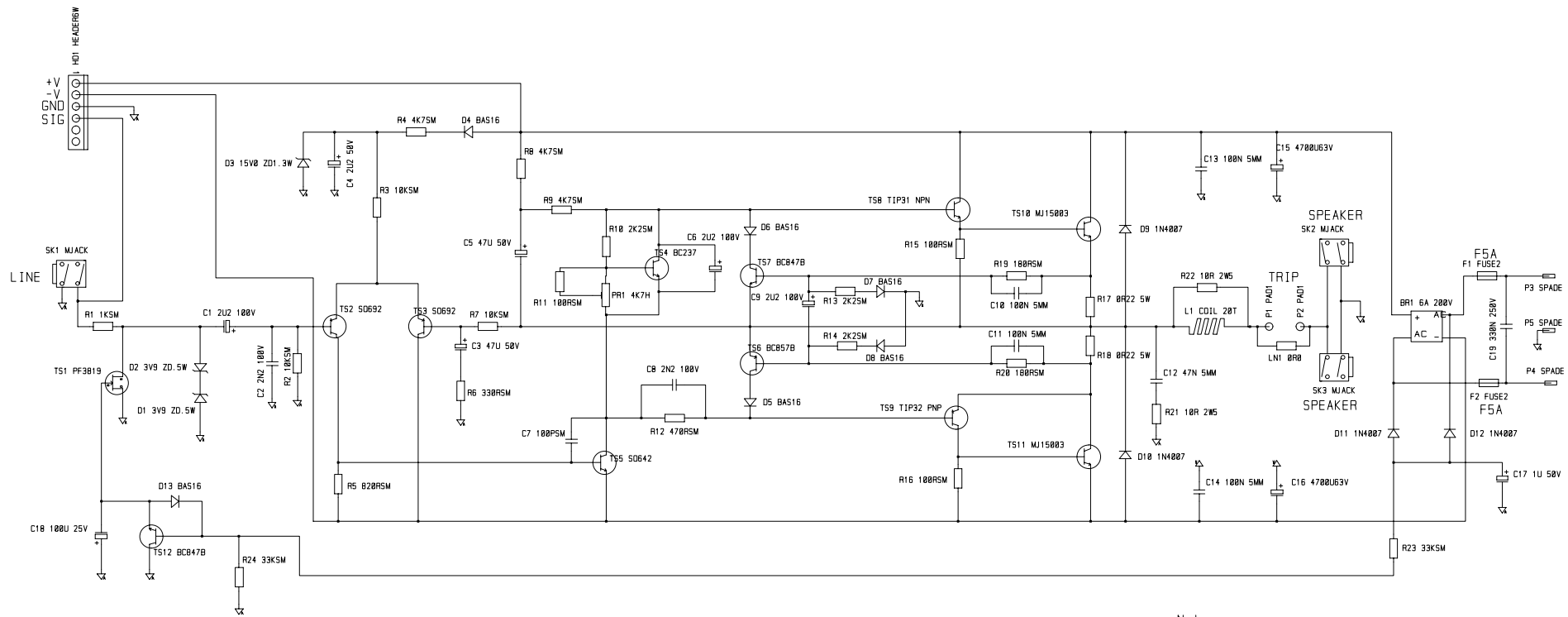
DRAWN	DEH
DATE	20/03/97
TITLE	KC100/150 PREAMP
DRW. NO.	9125

ISSUE	CHANGE NOTE 229 03/03/99
TYPE	R305 470K TO 220K R405 470K TO 220K R414 47K TO 22K



DRAWN	DEH
DATE	17/10/96
TITLE	120W / 150W OUTPUT BOARD
DRW. NO.	9115_2

ISSUE	USED IN	USED IN			
TYPE	CR120 P304M CR150 P304MR	P6065 P606SR			



Notes  
 For 150W Models F1 + F2 should be F4A  
 For 100 - 120W Models F1 and F2 should be F3.15A

DRAWN	DEH
DATE	17/10/96
TITLE	120W/150W OUTPUT PCB
DRW. NO.	9115_3

ISSUE	3	3	3		
TYPE	LAYOUT CHANGE 22/01/97	R8 & R9 CHANGED FROM 2K2 TO 4K7 - 7/4/97 SEE CHANGE NOTE No. 96	F1 and F2 Changed See Change Note 197		