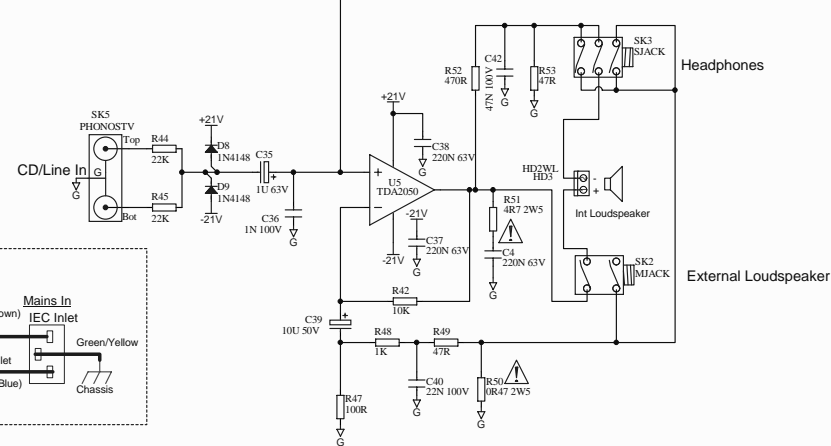
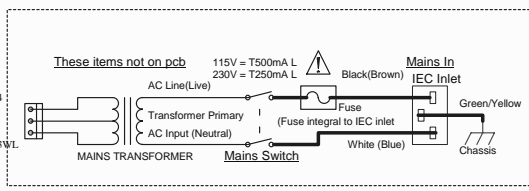
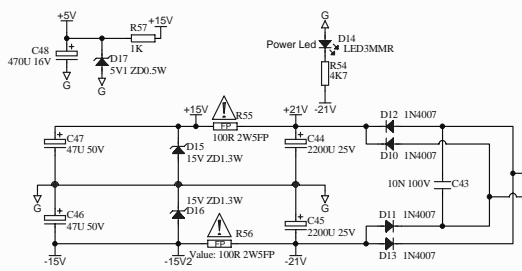
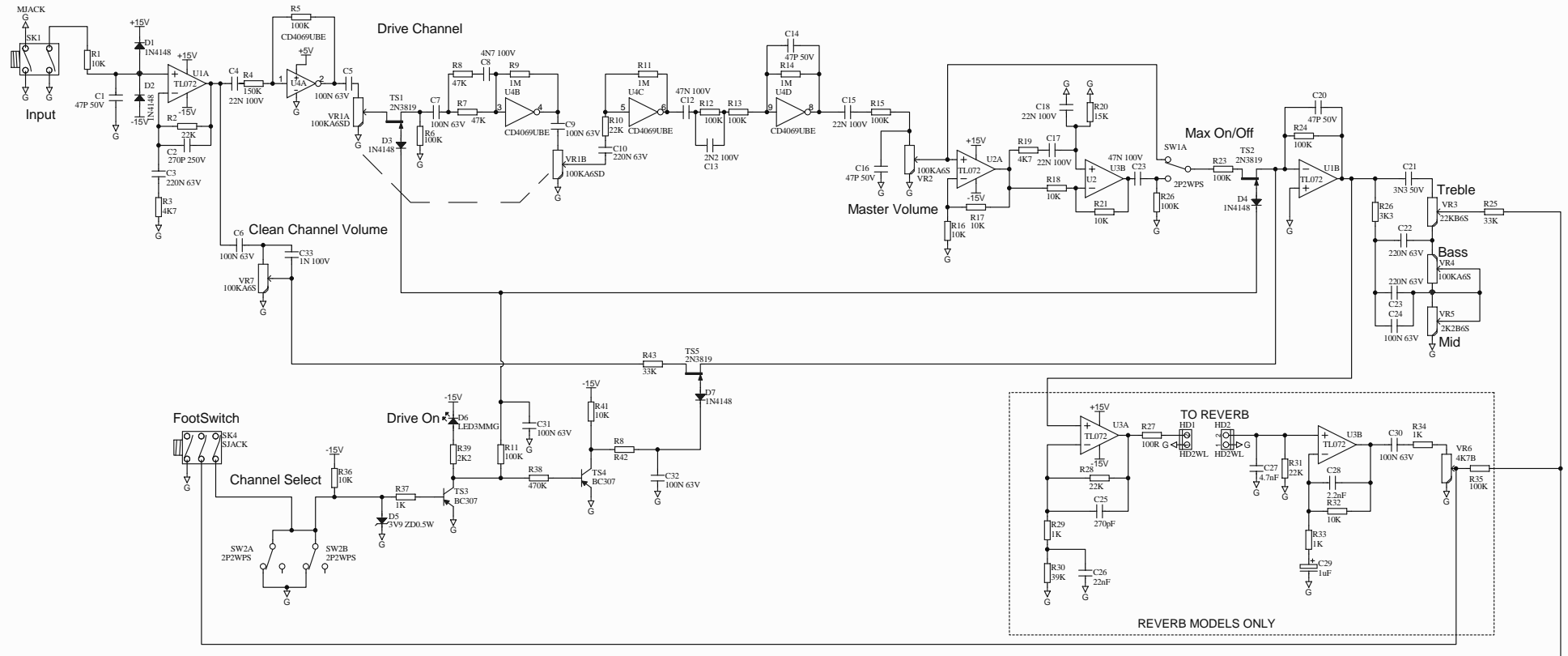


LG35R

Service Information

Laney
POWER TO THE MUSIC
www.laney.co.uk



[FP] Flame proof resistor
 Must only be replaced with same type and rating
 [▲] Indicates safety critical component
 Must only be replaced with approved type

Title: 30W GUITAR AMPLIFIER
 Size: A3 Number: 9346 Revision: 4
 Date: 16/05/2006 Time: 14:54:12 Sheet 1 of 1
 Original File: 9346_4.sch

SteelPark Road
 Coombs Wood
 Industrial Estate West
 Halesowen
 UK
 www.laney.co.uk



LG35R SPARE PARTS LIST

Laney

Model No.		LG35R			
SPARES ITEM		DESCRIPTION	PART No.		
Mains Transformer	100V	5600-002133 30W 100V Mains Transformer	006177		
	115V	5600-002135 30W 115V Mains Transformer	006178		
	230V	5600-002137 30W 230V Mains Transformer	006179		
Reverb Unit		220mm 2 Spring Reverb Unit	005056		
Loudspeaker		10" 4 Ohm 30W Guitar/Bass (HYD250ZZ-2)	51014		
Switch	Power	5A DPDT Rocker Switch	530027		
Mains Fuse	100-120V	T500mA 20mm Spiral Wound	005566		
	220-240V	T250mA 20mm Spiral Wound	005528		
Corner	Front	Plastic Type	10052		
	Back	Plastic Type	10053		
Jack Sockets		1/4 Jack Socket - Standoff Type - Stereo	005098		
		1/4 Jack Socket - Standoff Type - Mono	005097		
PCB's	9346	30W Main PCB Complete	007016		
		Pots	VR2/4/7	100K Log 6mm Spline	004062
			VR1	100K Log 6mm Spline Dual	004073
			VR5	2K2 Lin 6mm Spline	004063
			VR6	4K7 Lin 6mm Spline	004072
			VR3	22K Lin 6mm Spline	004061
	Switch	SW1/2	2P2W Push Switch	005017	
Badge		Small Laney Badge (100mm)	10009		
Control Knob		Small Chicken Head	005628		
Handle		LG Black Strap Handle	1501-0008		
Mains Inlet Socket		IEC Mains Inlet Socket Fused	005005		
Phono Sockets		Stereo Vertical Phono Sockets	005058		
Footswitch		FS2	FS2E		
Mains Lead		Country Dependant			
Feet		Screw on Rubber Feet	10059		
Output / Safety Critical Device	1	TDA2050V Audio Amplifier IC	003403		
	2	2200uF 25V Radial Capacitor	002003		
	3	100R 2.5W Resistor	001504		
	4	0R47 2.5W Resistor	001507		
	5	4R7 2.5W Resistor	001502		
Cabinet Minus Loudspeaker		Carcass minus L/Speaker LG35R	007102		
Manual		LG35R User Manual	007103		