

CONTENTS

SECTION 1. GENERAL

• SERVICING PRECAUTIONS	1-2
• ESD PRECAUTIONS	1-4
• SPECIFICATIONS	1-5
• LOCATION OF CUSTOMER CONTROLS	1-6

SECTION 2. AUDIO PART

• ELECTRICAL TROUBLESHOOTING GUIDIE	2-1
• DVD PLAYER PROGRAM DOWNLOAD METHOD	2-5
• WAVEFORMS OF MAJOR CHECK POINT	2-7
• INTERNAL BLOCK DIAGRAM OF IC's	2-8
• IC VOLTAGE SHEET	2-10
• BLOCK DIAGRAM	2-14
• SCHEMATIC DIAGRAMS	2-16
• PRINTED CIRCUIT DIARGAMS	2-28

SECTION 3. DVD PART

• ELECTRICAL TROUBLESHOOTING GUIDE	3-1
• BLOCK DIAGRAMS	3-9
• SCHEMATIC DIAGRAMS	3-13
• WAVEFORMS	3-21
• PRINTED CIRCUIT DIAGRAM	3-27

SECTION 4. MECHANSIM

SECTION 5. EXPLODED VIEWS

SECTION 6. SPEAKER PART

SECTION 7. REPLACEMENT PARTS LIST

SECTION 1. GENERAL PART

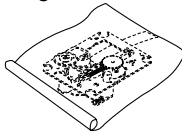
SERVICING PRECAUTIONS

NOTES REGARDING HANDLING OF THE PICK-UP

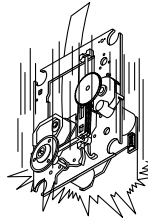
1. Notes for transport and storage

- 1) The pick-up should always be left in its conductive bag until immediately prior to use.
- 2) The pick-up should never be subjected to external pressure or impact.

Storage in conductive bag

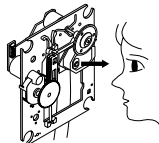


Drop impact



2. Repair notes

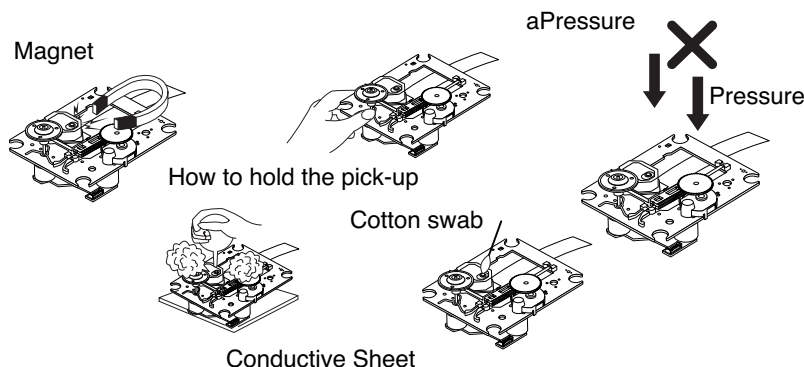
- 1) The pick-up incorporates a strong magnet, and so should never be brought close to magnetic materials.
- 2) The pick-up should always be handled correctly and carefully, taking care to avoid external pressure and impact. If it is subjected to strong pressure or impact, the result may be an operational malfunction and/or damage to the printed-circuit board.
- 3) Each and every pick-up is already individually adjusted to a high degree of precision, and for that reason the adjustment point and installation screws should absolutely never be touched.
- 4) Laser beams may damage the eyes!
Absolutely never permit laser beams to enter the eyes!
Also NEVER switch ON the power to the laser output part (lens, etc.) of the pick-up if it is damaged.



NEVER look directly at the laser beam, and don't let contact fingers or other exposed skin.

5) Cleaning the lens surface

If there is dust on the lens surface, the dust should be cleaned away by using an air bush (such as used for camera lens). The lens is held by a delicate spring. When cleaning the lens surface, therefore, a cotton swab should be used, taking care not to distort this.



6) Never attempt to disassemble the pick-up.

Spring by excess pressure. If the lens is extremely dirty, apply isopropyl alcohol to the cotton swab. (Do not use any other liquid cleaners, because they will damage the lens.) Take care not to use too much of this alcohol on the swab, and do not allow the alcohol to get inside the pick-up.

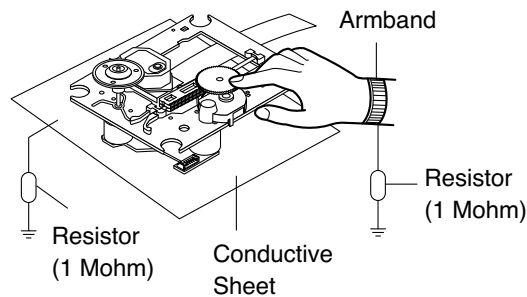
NOTES REGARDING COMPACT DISC PLAYER REPAIRS

1. Preparations

- 1) Compact disc players incorporate a great many ICs as well as the pick-up (laser diode). These components are sensitive to, and easily affected by, static electricity. If such static electricity is high voltage, components can be damaged, and for that reason components should be handled with care.
- 2) The pick-up is composed of many optical components and other high-precision components. Care must be taken, therefore, to avoid repair or storage where the temperature of humidity is high, where strong magnetism is present, or where there is excessive dust.

2. Notes for repair

- 1) Before replacing a component part, first disconnect the power supply lead wire from the unit
- 2) All equipment, measuring instruments and tools must be grounded.
- 3) The workbench should be covered with a conductive sheet and grounded.
When removing the laser pick-up from its conductive bag, do not place the pick-up on the bag. (This is because there is the possibility of damage by static electricity.)
- 4) To prevent AC leakage, the metal part of the soldering iron should be grounded.
- 5) Workers should be grounded by an armband (1M Ω)
- 6) Care should be taken not to permit the laser pick-up to come in contact with clothing, in order to prevent static electricity changes in the clothing to escape from the armband.
- 7) The laser beam from the pick-up should NEVER be directly facing the eyes or bare skin.



ESD PRECAUTIONS

Electrostatically Sensitive Devices (ESD)

Some semiconductor (solid state) devices can be damaged easily by static electricity. Such components commonly are called Electrostatically Sensitive Devices (ESD). Examples of typical ESD devices are integrated circuits and some field-effect transistors and semiconductor chip components. The following techniques should be used to help reduce the incidence of component damage caused by static electricity.

1. Immediately before handling any semiconductor component or semiconductor-equipped assembly, drain off any electrostatic charge on your body by touching a known earth ground. Alternatively, obtain and wear a commercially available discharging wrist strap device, which should be removed for potential shock reasons prior to applying power to the unit under test.
2. After removing an electrical assembly equipped with ESD devices, place the assembly on a conductive surface such as aluminum foil, to prevent electrostatic charge buildup or exposure of the assembly.
3. Use only a grounded-tip soldering iron to solder or unsolder ESD devices.
4. Use only an anti-static solder removal device. Some solder removal devices not classified as "anti-static" can generate electrical charges sufficient to damage ESD devices.
5. Do not use freon-propelled chemicals. These can generate electrical charges sufficient to damage ESD devices.
6. Do not remove a replacement ESD device from its protective package until immediately before you are ready to install it. (Most replacement ESD devices are packaged with leads electrically shorted together by conductive foam, aluminum foil or comparable conductive materials).
7. Immediately before removing the protective material from the leads of a replacement ESD device, touch the protective material to the chassis or circuit assembly into which the device will be installed.

CAUTION : BE SURE NO POWER IS APPLIED TO THE CHASSIS OR CIRCUIT, AND OBSERVE ALL OTHER SAFETY PRECAUTIONS.

8. Minimize bodily motions when handing unpackaged replacement ESD devices. (Otherwise harmless motion such as the brushing together of your clothes fabric or the lifting of your foot from a carpeted floor can generate static electricity sufficient to damage an ESD device).

CAUTION. GRAPHIC SYMBOLS



THE LIGHTNING FLASH WITH APROWHEAD SYMBOL. WITHIN AN EQUILATERAL TRIANGLE, IS INTENDED TO ALERT THE SERVICE PERSONNEL TO THE PRESENCE OF UNINSULATED "DANGEROUS VOLTAGE" THAT MAY BE OF SUFFICIENT MAGNITUDE TO CONSTITUTE A RISK OF ELECTRIC SHOCK.



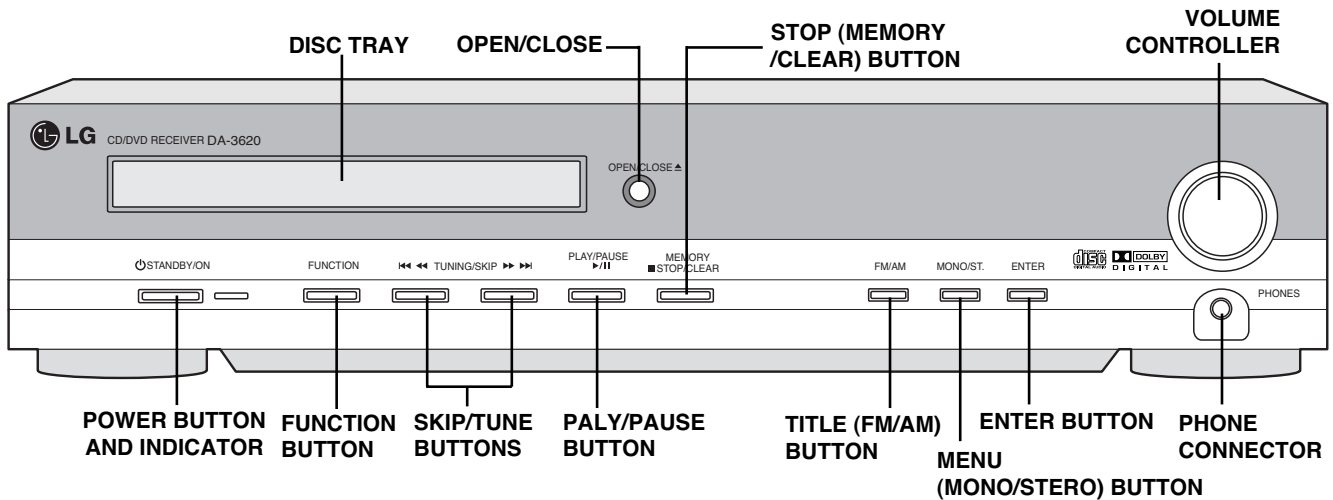
THE EXCLAMATION POINT WITHIN AN EQUILATERAL TRIANGLE IS INTENDED TO ALERT THE SERVICE PERSONNEL TO THE PRESENCE OF IMPORTANT SAFETY INFORMATION IN SERVICE LITERATURE.

SPECIFICATIONS

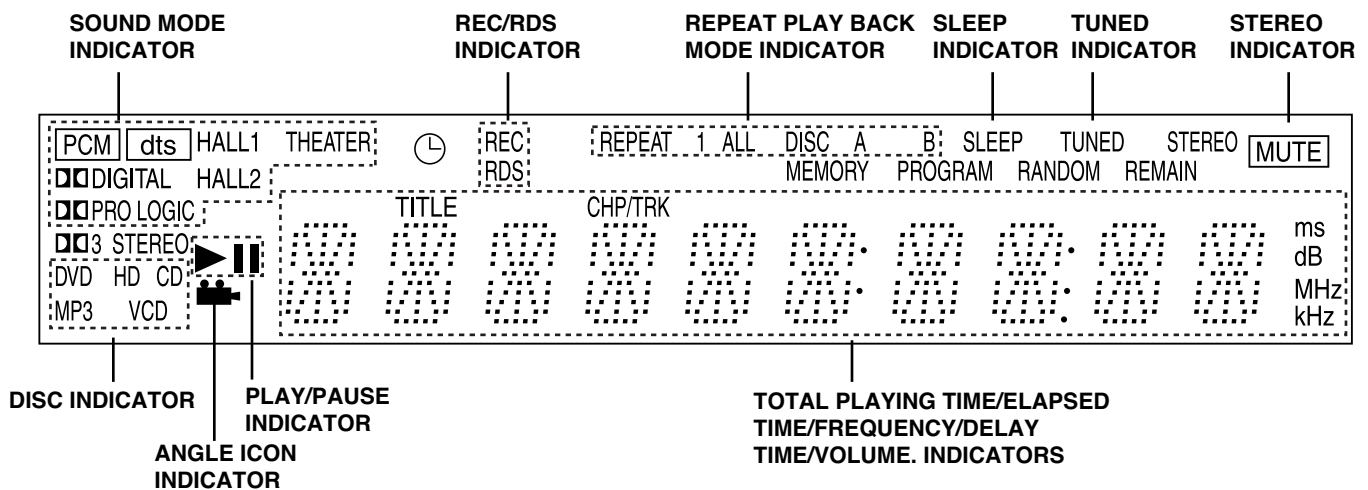
[General]	Power supply	AC 220~240V, 50/60Hz	
	Power consumption	70W	
	Mass	4.6kg	
	External dimensions (W x H x D)	360 x 72 x 350mm	
	Operating conditions	Temperature: 5°C to 35°C, Operation status: Horizontal	
	Operating humidity	5% to 85%	
[CD/DVD]	Laser	Semiconductor laser, wavelength 650nm	
	Signal system	PAL 625/50, NTSC 525/60	
	Frequency range(audio)	4 Hz to 20 kHz	
	Signal-to-noise ratio(audio)	More than 75dB (1kHz, NOP, 20kHz LPF/A-Fiter)	
	Dynamic range (audio)	More than 75dB	
	Harmonic distortion(audio)	0.5% (1kHz, at 12Q position) (20kHz LPF/A-Filter)	
[Video]	Video input	1.0V (p-p), 75Ω, negative sync., RCA jack	
	Video output	1.0V (p-p), 75Ω, negative sync., RCA jack	
	S-video output	(Y) 1.0V (p-p), 75Ω, negative sync., Mini DIN 4-pin x 1 (C) 0.3V (p-p), 75Ω	
[Tuner]	FM	Tuning Range	87.5~108MHz
		Intermediate Frequency	10.7MHz
		Signal-to Noise Ratio	60dB
		Frequency Response	150~10,000Hz
	AM(MW)	Tuning Range	522~1, 611kHz
		Intermediate Frequency	450kHz
[Amplifier]	Stereo mode	35W + 35W(8Ω at 1kHz, THD 10%)	
	Surround mode * Depending on the sound mode settings and the source, there may be no sound output.	Front: 50W+50W (THD 10%) Center*: 35W Surround*: 50W +50W(8Ω at 1Hz, THD 10%)~35W Subwoofer*: 35W(8Ω at 30Hz, THD 1%)	
	Inputs	VIDEO 1, 2, OPTICAL AUDIO	
	Outputs	VIDEO 1(AUDIO OUT): 2V WOOFER: 2V	
[Speakers]		Satellite Speaker(FE-3620TE)	Passive Subwoofer(FE-3620WE)
	Type	1 Way 1Speaker	1Way 1Speaker
	Impedance	8Ω	8Ω
	Frequency Response	110~40,000Hz	45 ~1,500Hz
	Sound Pressure Level	83dB/W(1m)	82 dB/W(1m)
	Rated Inut Power	35W	35W
	Max. Input Power	70W	70W
	Net dimensions(W x H x D)	90 x 70 x 106.5mm	160 x 350 x 325mm
Net Weight	0.65kg	4.5kg	
[Supplied Accessories]	• Audio cable.....	1	
	• Speakers	6	
	• Remote control	1	
	• AM loop antenna	1	
	• Video cable.....	1	
	• Speaker cables.....	5	
	• Batteries (AAA).....	2	
	• FM antenna	1	

LOCATION OF CUSTOMER CONTROLS

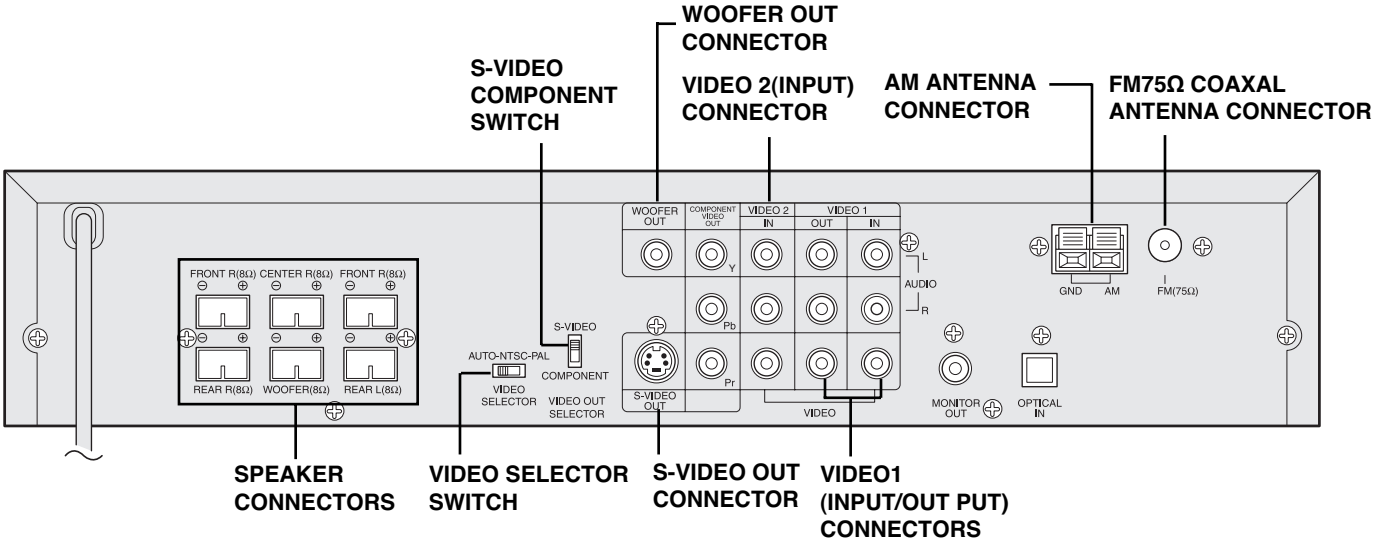
FRONT PANEL



DISPLAY WINDOW



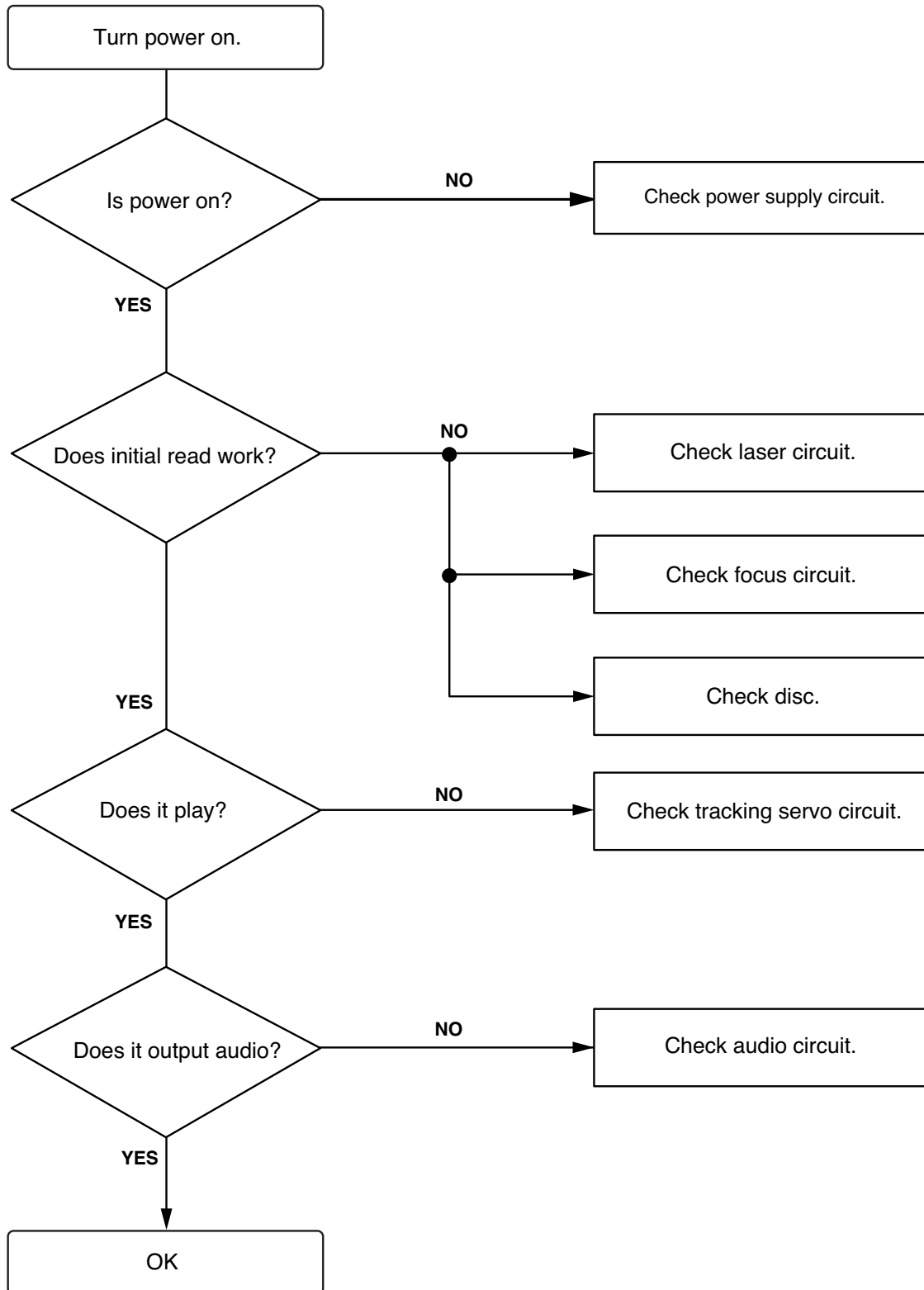
REAR PANEL



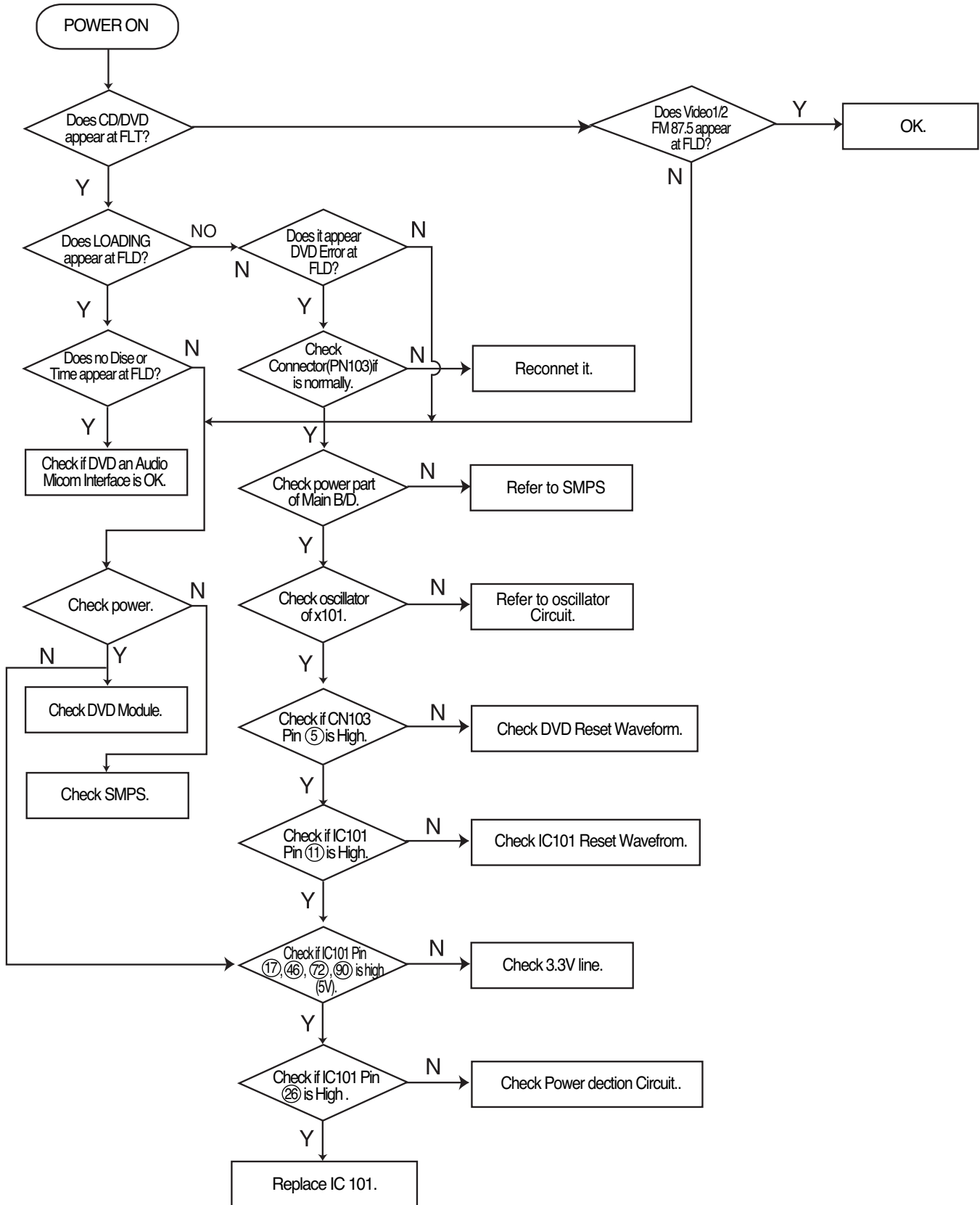
SECTION 2. AUDIO PART

ELECTRICAL TROUBLESHOOTING GUIDIE

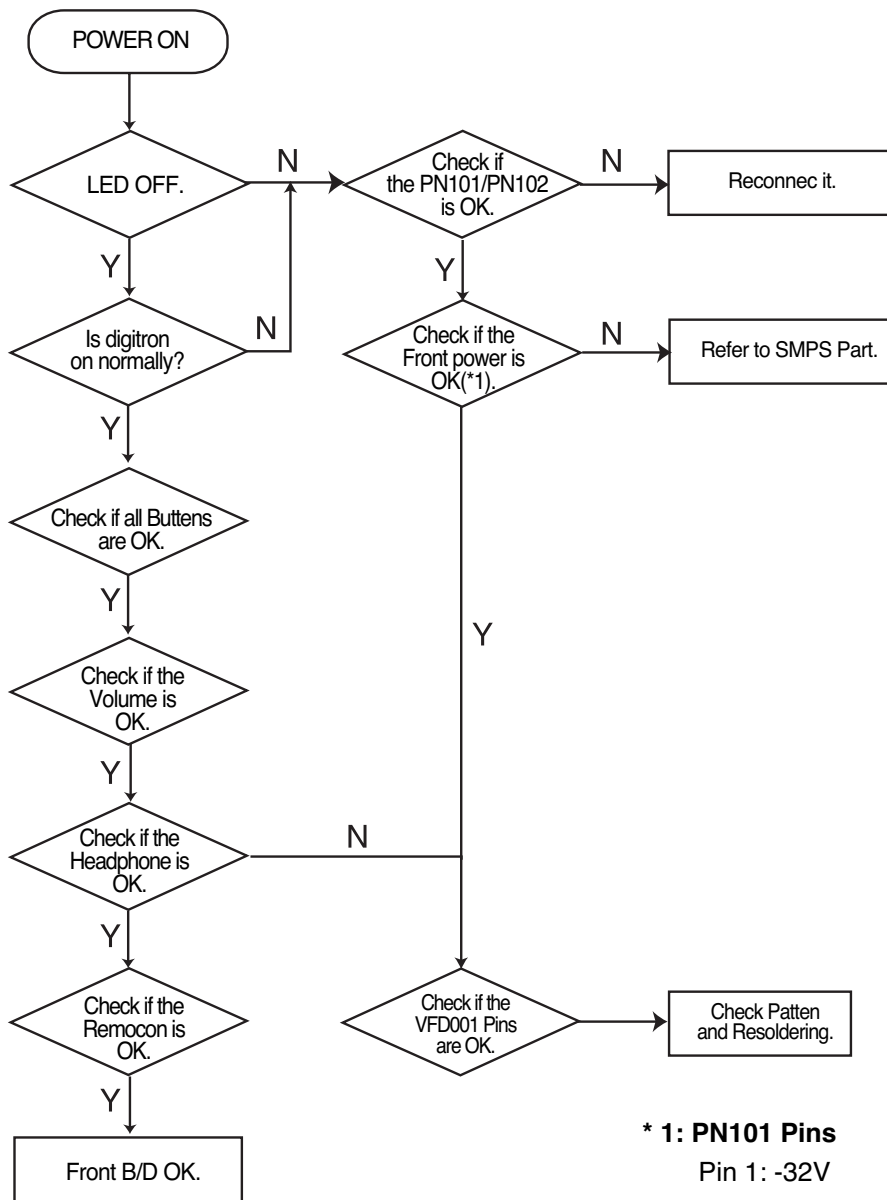
1.



2. AUDIO μ . COM Circuit



3. Front Circuit (1/2)



*** 1: PN101 Pins**

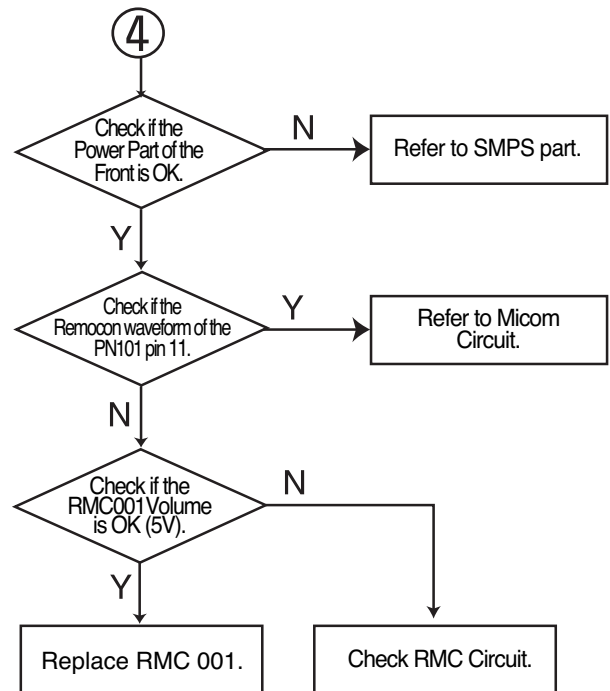
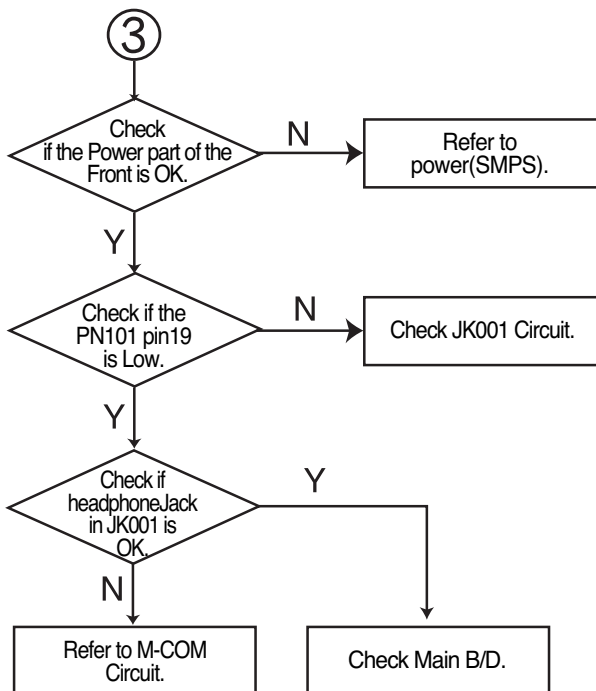
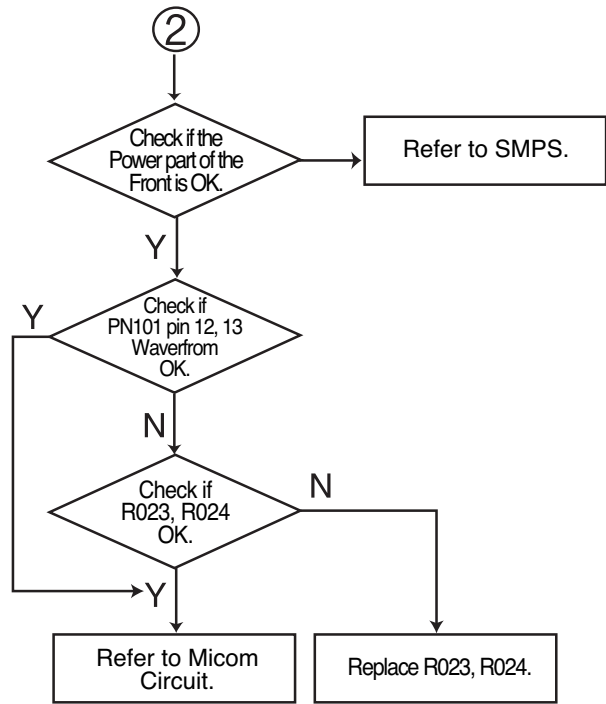
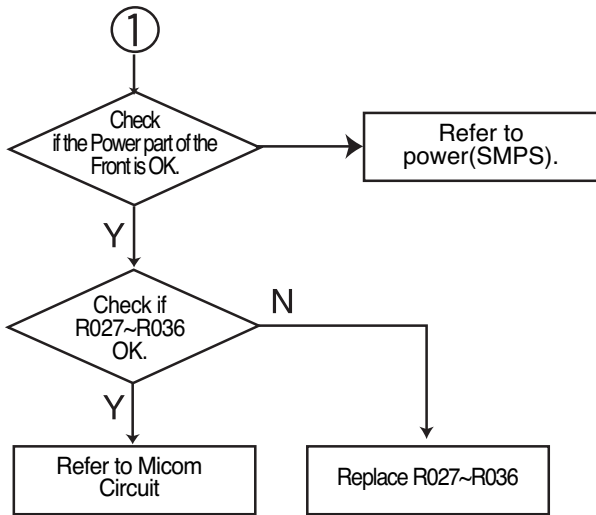
Pin 1: -32V

Pin 8: -28V

Pin 9: -32V

Pin 20: 12V

Front Circuit (2/2)



DVD PLAYER PROGRAM DOWNLOAD METHOD

1. DVD player without CD-RW option

1-1) Download the DVD program from your PC as following procedure

ACTION	FLD display
<ul style="list-style-type: none">• Plug the Power cord out• Connect the Fixture for download (Refer to Deck Mechanism Adjustment)• Execute the program for download(Flashrom.exe)• Open the DVD program file• Plug the Power cord in• Press the MENU Key on the Remote controller• Select Down icon with injector icon then start download from the P.C	FLASH
■ In status of download	
<ul style="list-style-type: none">• Erased the Flash memory• Written the Flash memory• Verified the Flash memory• Completed the download	FLASH ERA FLASH XX(XX: Program counter) FLASH XX(XX: Program counter) FINISHED
■ If an error was occurred during download, do not unplug the Power cord, and retry the download form the P.C until it is completed.	

2. DVD player with CD-RW option(for models using C-CUBE MPEG chip, marking on the IC is ZIVA)

2-1) Make the DVD program upgrade Disc as following procedure

*Recommended S/W: adaptec Easy CD Creator

*use file format: ISO9660

- Rename the souce file from the P.C to FIRMWARE.BIN
(Ex, If Source file is lg_a3_korea.bin, rename to FIRMWARE.BIN)
- Format the CD-RW Disc as below Make the Folder name to UPGRSADE.DVD under root folder
(Ex, ₩UPGRADE.DVD)
- Download the source file renamed to FIRMWARE.BIN in the folder
(Ex, ₩UPGRADE.DVD ₩FIRMWARE.BIN)

2-2) Insert the upgrade Disc into the DVD player slot, then the DVD player reads the Disc and upgrade the Firmware itself as followings

Status	FLD display on DVD player
• Detect the upgrade Disc	No display
• Read the Disc	Cd rEAD XX(XX: Program counter)
• Erased the Flash memory	FLASH ERA
• Written the Flash memory	FLASH XX(XX: Program counter)
• Verified the Flash memory	FLASH XX(XX: Program counter)
• Completed the upgrade	FINISHED

Note: After completed, plug the Power cord out and in again, and then press the Open key, then the Disc will be ejected.

Caution: While CD detecting and reading, if Open key or Power is pressed Then download procedure will be aborted.

**3. DVD player with CD-RW option
(for models using NS MPEG chip, marking on the IC is PANTERA)**

3-1) Make the DVD program upgrade Disc as following procedure

*Recommended S/W: adaptec Easy CD Creator

*use file format: ISO9660

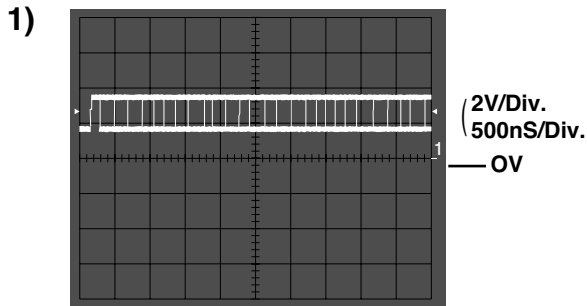
- Format the CD-RW Disc as below.
Make the Folder name to “lg_dvd ₩UPGRADE ₩lg” under root folder
(₩lg_dvd_firmware ₩upgrade ₩lg)
- Download the source file in the folder
(Ex, If the source file is “lg_a3_korea.bin, “lg_dvd ₩firmware ₩upgrade ₩lg ₩lg_a3_korea.bin”)

3-2) UPgrade the firmware for DVD player as followings

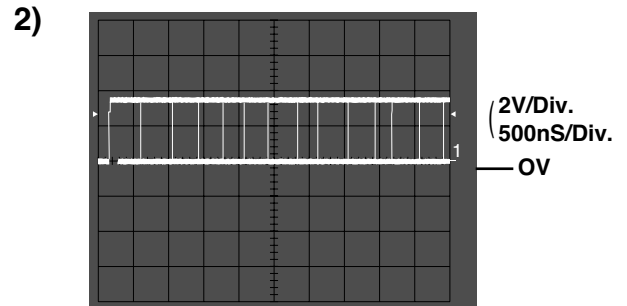
ACTION	FLD display on dvd player
• Insert the upgraded Disc into the DVD player slot then starts the detecting	Press Up
• Press the UP key on the Remote controller then starts the reading	READ 0(If error is occurred, displayed retry counter)
- Starts the upgrading	UPGRADE 0(If error is occurred, displayed retry counter)
- Completed the upgrading	FINISHED → checksum
- Opened the Tray Disc	(“FINISHED → checksum” is displayed repeatedly at 2 second intervals)
• Plug the Power Cord out	

Note: In the status of FLD with “READ 0” or “UPGRADE 0”
If an error is occurred, the read counter, “READ 0”, shows retry counter or “ERROR num”
If the num has 0~2, retry the firmware upgrade procedure.
If the error is continued after retrying 5 times, replace the Flash ROM IC.

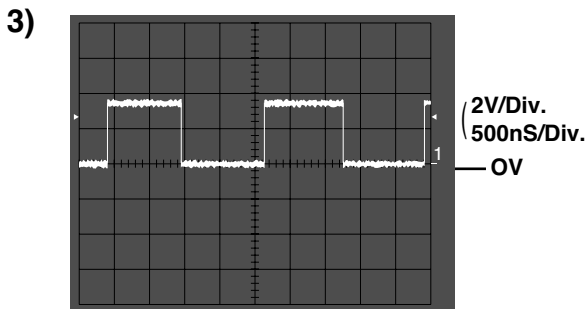
WAVEFORMS OF MAJOR CHECK POINT



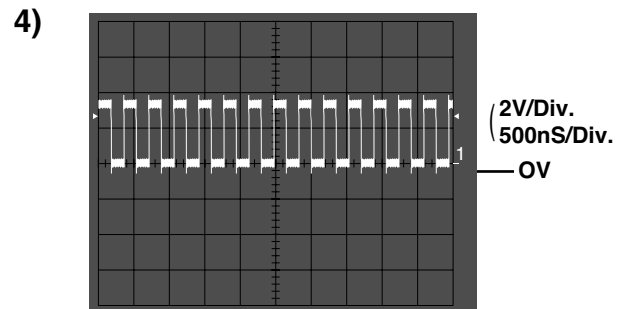
- IC 208 pin ⑤
- Serial data clock waveform during normal play.



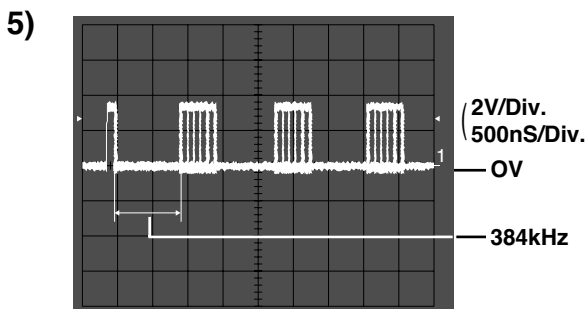
- IC 208 pin ⑦
- Serial data output waveform during normal play.



- IC 201 pin ④②
- L/R clock data input waveform during normal operation.



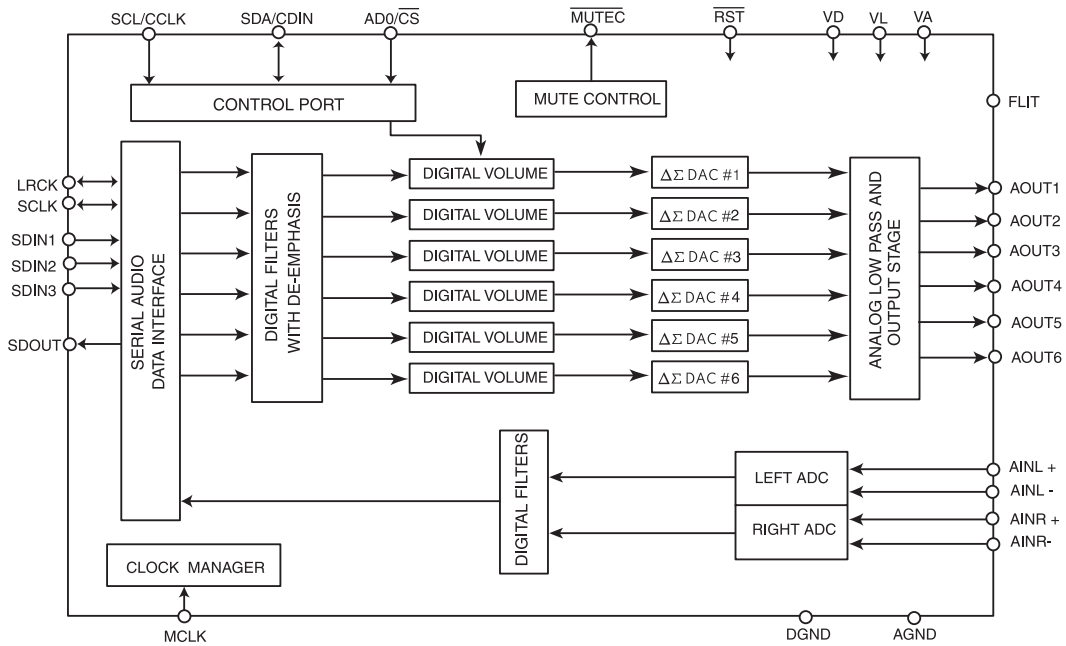
- IC 201 pin ④③
- Bit clock data input waveform during normal operation.



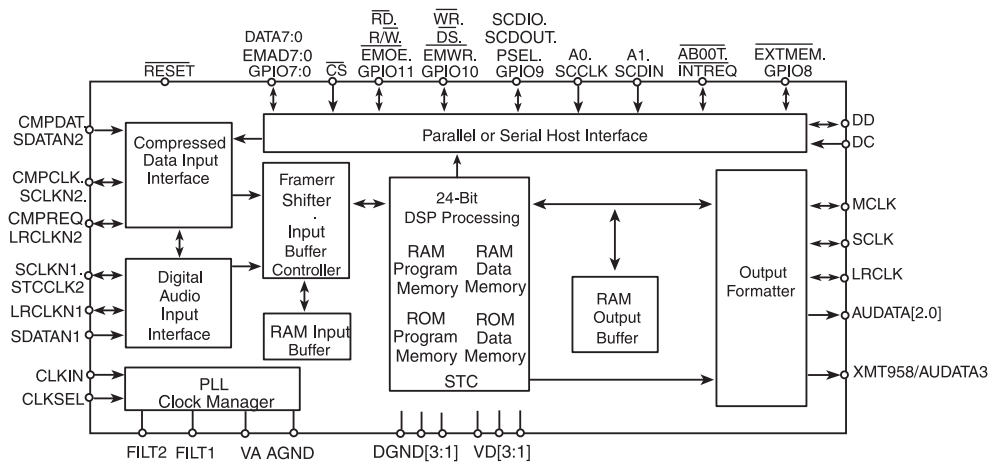
- IC 301 pin ⑤③, ⑤④, ⑤⑥, ⑤⑦, ⑥①, ⑥②, ⑥③, ⑥④, ⑥⑦, ⑥⑧, ⑦①, ⑦②.
- PWM data output waveform during normal operation.

INTERNAL BLOCK DIAGRAM OF ICs

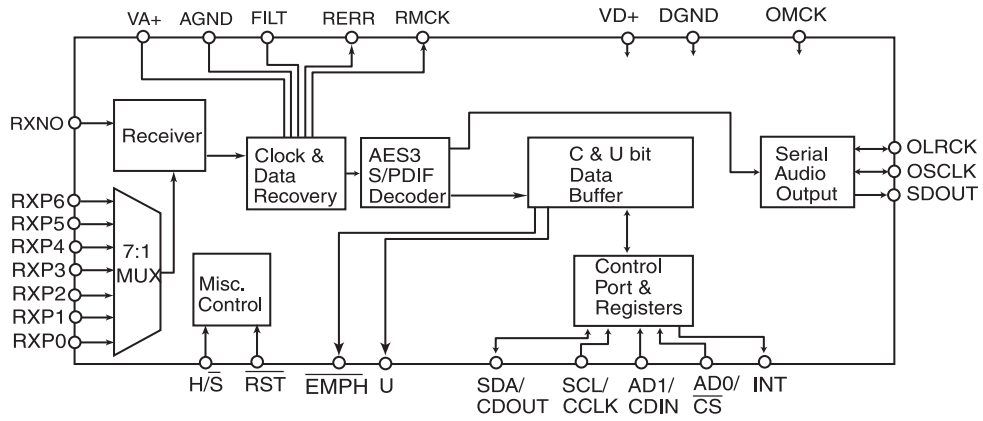
CS4228



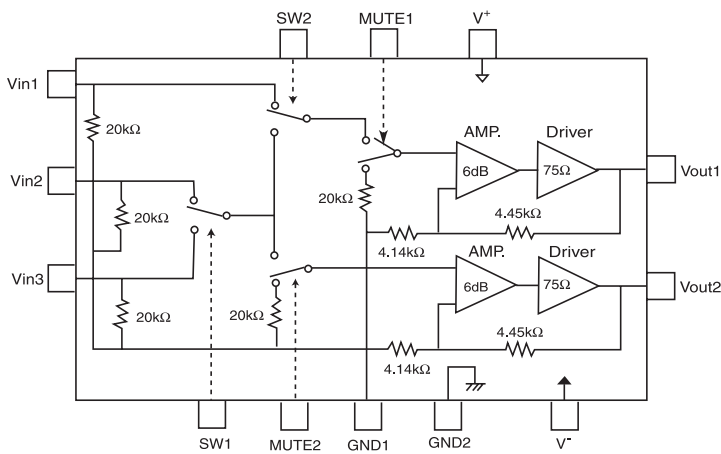
CS49300



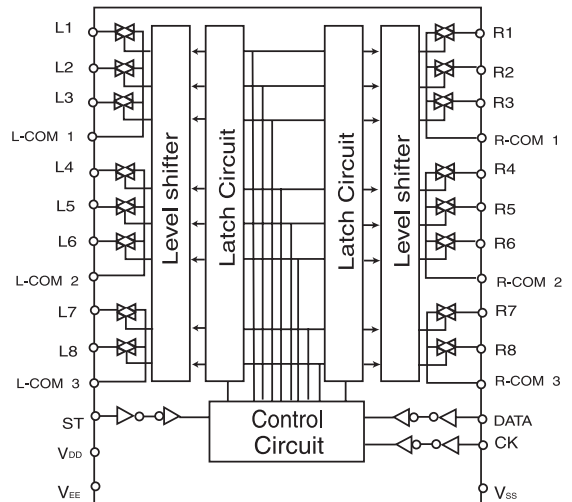
■ CS8415A



■ NJM2279



■ NJU7312A



IC VOLTAGE SHEET

■ STA505 (IC710, IC730, IC750, IC770)

PIN No.	Volt(V)
1	
2	
3	
4	32
5	
6	
7	32
8	
9	
10	
11	
12	32
13	
14	
15	32
16	
17	
18	
19	
20	
21	
22	
23	3.3
24	
25	
26	
27	
28	
29	
30	
31	
32	
33	
34	
35	
36	

■ NJM 2279 (IC102)

PIN No.	Volt(V)
1	0
2	2
3	0
4	5
5	1.3
6	0
7	0
8	5
9	0
10	1.3
11	0
12	1.4
13	5
14	-5

■ CS8415 (IC206)

PIN No.	Volt(V)	PIN No.	Volt(V)
1	2.8	15	0
2	2.9	16	1.6
3	3.2	17	1.6
4	2.8	18	0
5	2.8	19	3
6	5	20	0
7	0	21	0
8	2.2	22	3
9	1.6	23	0
10	1.6	24	0
11	0	25	0
12	0	26	3
13	0	27	0
14	0	28	

■ PS9702B (IC301)

PIN No.	Volt(V)	PIN No.	Volt(V)	PIN No.	Volt(V)	PIN No.	Volt(V)
1	0	26	0	51	3.21	76	2.92
2	0	27	0	52	0	77	3.21
3	3.21	28	0	53	1.6	78	0
4	4.78	29	0	54	1.6	79	3.28
5		30		55	0	80	0
6	2.95	31	0	56	1.6	81	3.21
7	1.67	32	3.21	57	1.6	82	3.21
8	0	33	0	58	3.21	83	0
9	0	34	0	59	0	84	3.21
10	0	35	0	60	1.6	85	0
11	0	36	0	61	1.6	86	1.67
12	0	37	0	62	0	87	0
13	0	38	1.62	63	1.6	88	0
14	0	39	0	64	1.6	89	0
15	3.21	40	3.21	65	3.21	90	3.21
16	0	41	0	66	0	91	0
17	0	42	0	67	1.6	92	4.77
18	0	43	0	68	1.6	93	0
19	0	44	0	69	0	94	0
20	0	45	0	70	1.6	95	0
21	0	46	3.21	71	1.6	96	0
22	1.6	47	0	72	3.21	97	0
23	1.64	48	0	73	0	98	0
24	3.21	49	0	74	0	99	3.21
25	0	50	0	75	0	100	0

■ LC87F67
(IC101)

PIN No.	Volt(V)	PIN No.	Volt(V)	PIN No.	Volt(V)	PIN No.	Volt(V)
1	0	26	2.45	51	-1	76	-3.25
2	0	27	1.02	52	-1	77	-3.25
3	0	28	1.63	53	0	78	-3.25
4	0	29	4.96	54	-17.71	79	-3.25
5	5.19	30	-1	55	-1	80	4.97
6	0	31	-1	56	-1	81	1.27
7	0	32	-1	57	-1	82	2
8	0	33	-1	58	-1	83	4.98
9	3.23	34	-1	59	-14.91	84	4.98
10	1.21	35	-1	60	1.31	85	4.79
11	4.9	36	-1	61	-3.23	86	1.83
12	0	37	-1	62	-3.23	87	0
13	4.85	38	-1	63	-3.23	88	4.79
14	0	39	-1	64	-3.23	89	0
15	2.4	40	-1	65	4.99	90	4.86
16	2.52	41	-1	66	4.93	91	4.86
17	4.98	42	-1	67	4.93	92	4.33
18	0	43	-1	68	0	93	4.99
19	0	44	-14.91	69	4.97	94	4.99
20	0	45	-1	70	4.97	95	4.86
21	3.58	46	5.4	71	0	96	4.79
22	3.59	47	-1	72	5.08	97	4.79
23	3.59	48	-1	73	0	98	0
24	3.59	49	-1	74	-3.94	99	1.79
25	0.9	50	-1	75	0	100	3.19

■ NJU7312AM(IC501)

PIN No.	Volt(V)	PIN No.	Volt(V)
1	-12	16	0
2	0	17	0
3	0	18	0
4	0	19	0
5	0	20	0
6	0	21	0
7	0	22	0
8	0	23	0
9	0	24	0
10	0	25	0
11	0	26	0
12	0	27	0
13		28	0
14		29	0
15		30	12

■ CS49326(IC201)

PIN No.	Volt(V)	PIN No.	Volt(V)
1	2.4	23	2.5
2	0	24	
3	0	25	1.6
4	0	26	1.6
5		27	1
6	2.9	28	1.6
7	0	29	1.6
8	2.4	30	1
9	2.4	31	0
10	2.4	32	2
11	2.4	33	1.3
12	2.5	34	2.5
13	0	35	0
14	2.4	36	3.2
15	2.4	37	2.5
16	2.4	38	2.5
17	2.4	39	0
18	3.2	40	0
19	1.7	41	0
20	2.4	42	1.6
21	2.4	43	1.6
22	0	44	1.6

■ CS4228 (IC205)

PIN No.	Volt(V)	PIN No.	Volt(V)
1	0	16	2.5
2	0	17	2.2
3	0	18	3.5
4	1.5	19	2.2
5	1.5	20	2.2
6	1.5	21	5
7		22	
8	3.2	23	2.3
9	2.5	24	2.3
10	1.6	25	2.3
11	0	26	2.3
12	2.9	27	2.3
13	3.2	28	2.3
14	3.2	29	2.3

■ IC910

PIN No.	Volt(V)
1	
2	
3	-12

■ IC921

PIN No.	Volt(V)
1	
2	12
3	

■ PN901, CN901

PIN No.	Volt(V)
1	-30
2	-25
3	-37
4	-37
5	-37
6	5.1
7	
8	
9	
10	

■ PN902, CN902

PIN No.	Volt(V)
1	27.6
2	27.6
3	27.6
4	16.9
5	5.8
6	5.8
7	0
8	
9	
10	5.8

■ IC911

PIN No.	Volt(V)
1	
2	
3	-5

■ IC922

PIN No.	Volt(V)
1	
2	8.1
3	

■ IC926

PIN No.	Volt(V)
1	
2	3.3
3	

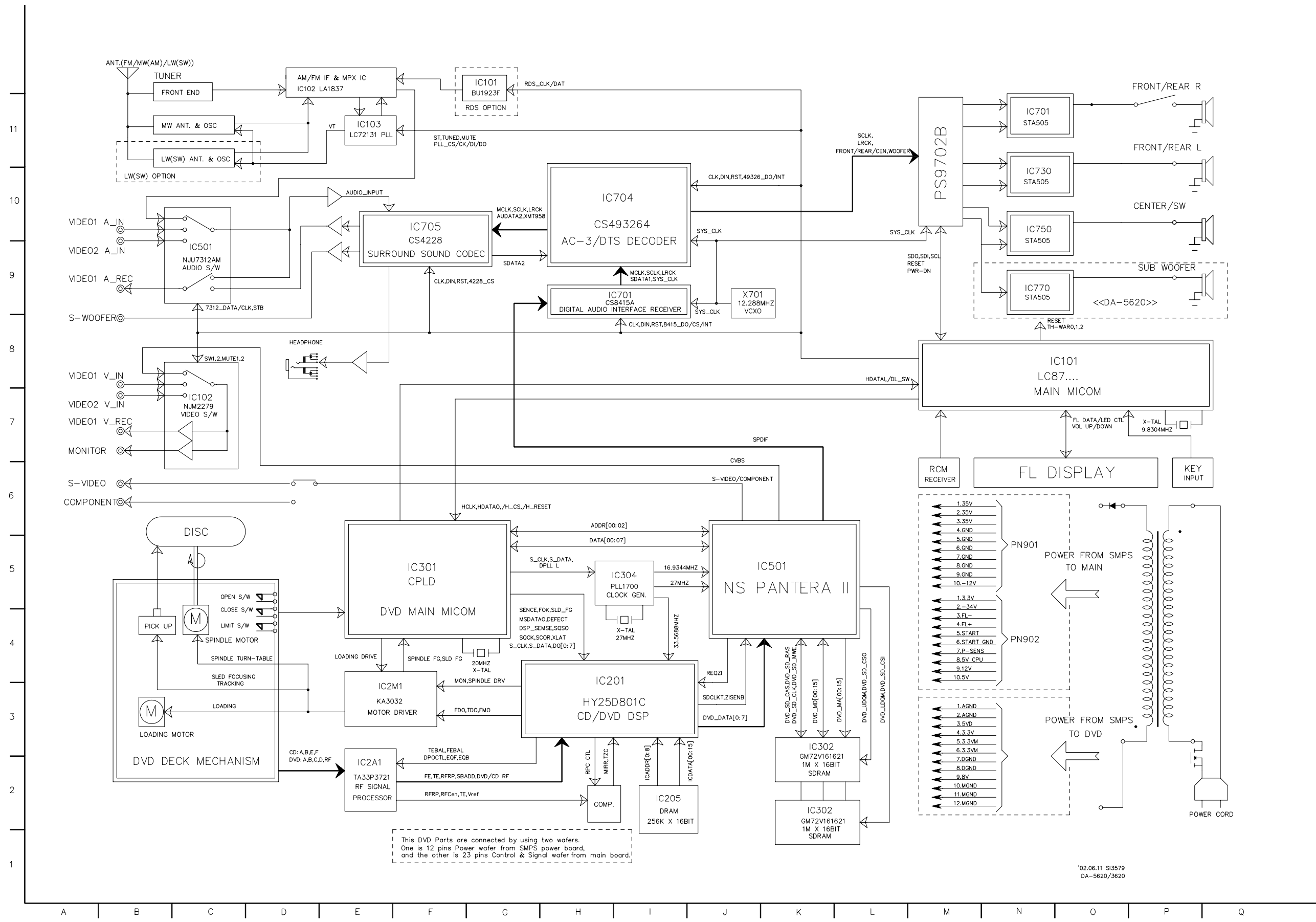
■ IC923

PIN No.	Volt(V)
1	
2	5
3	

■ IC924

PIN No.	Volt(V)
1	
2	3.3
3	

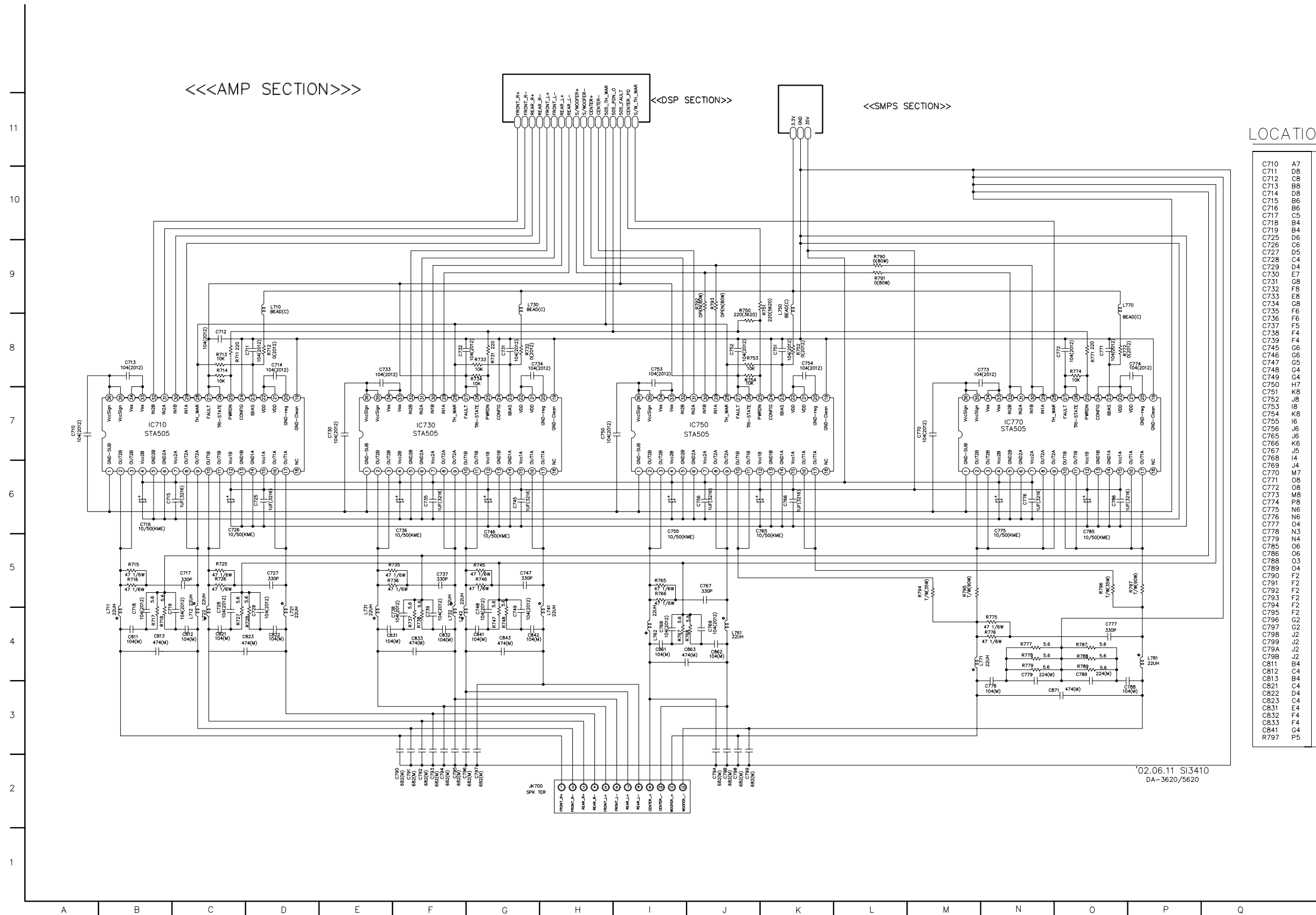
BLOCK DIAGRAM



'02.06.11 SI3579
DA-5620/3620

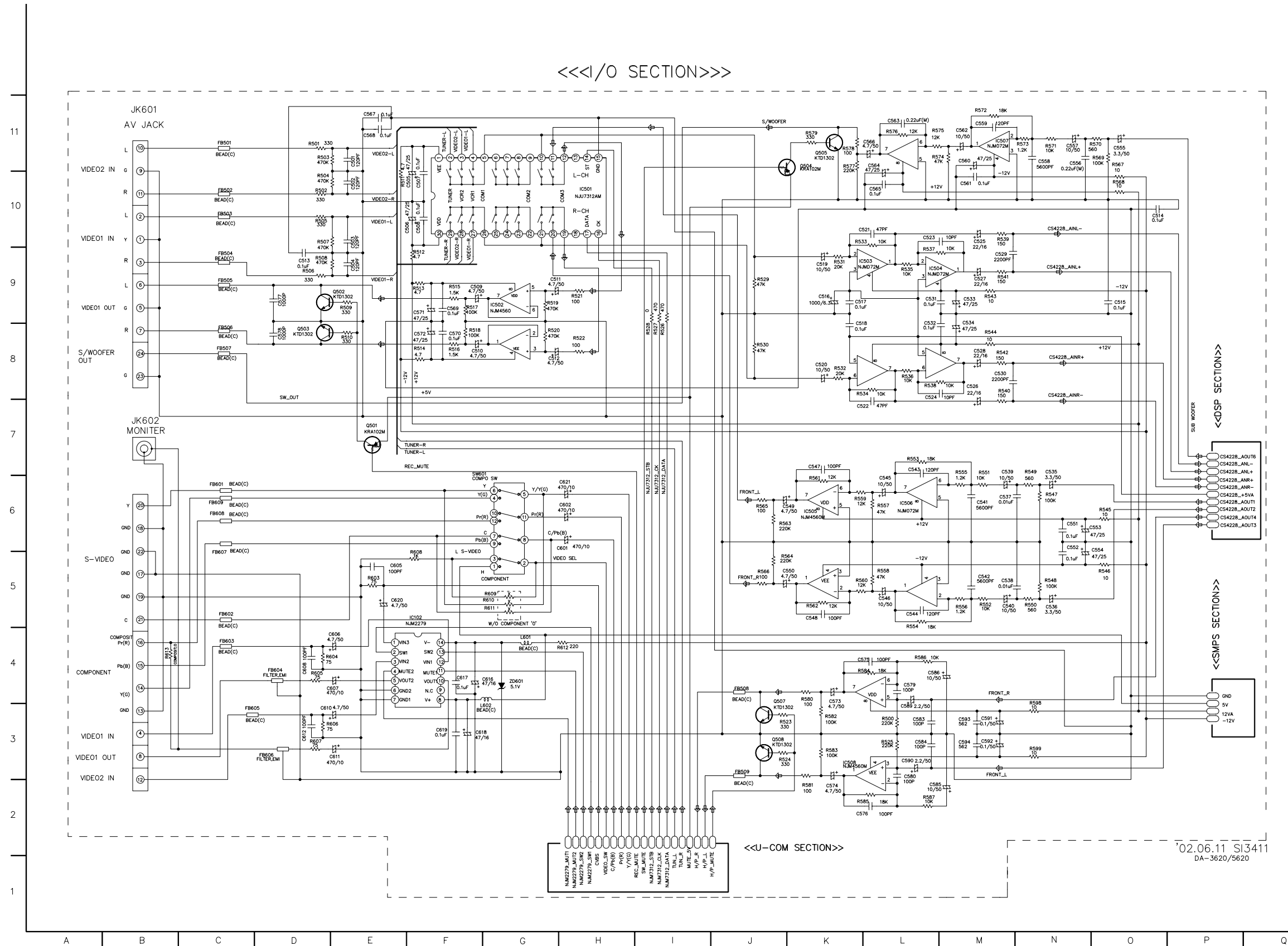
SHEMATIC DIAGRAMS

• AMP SCHEMATIC DIAGRAM



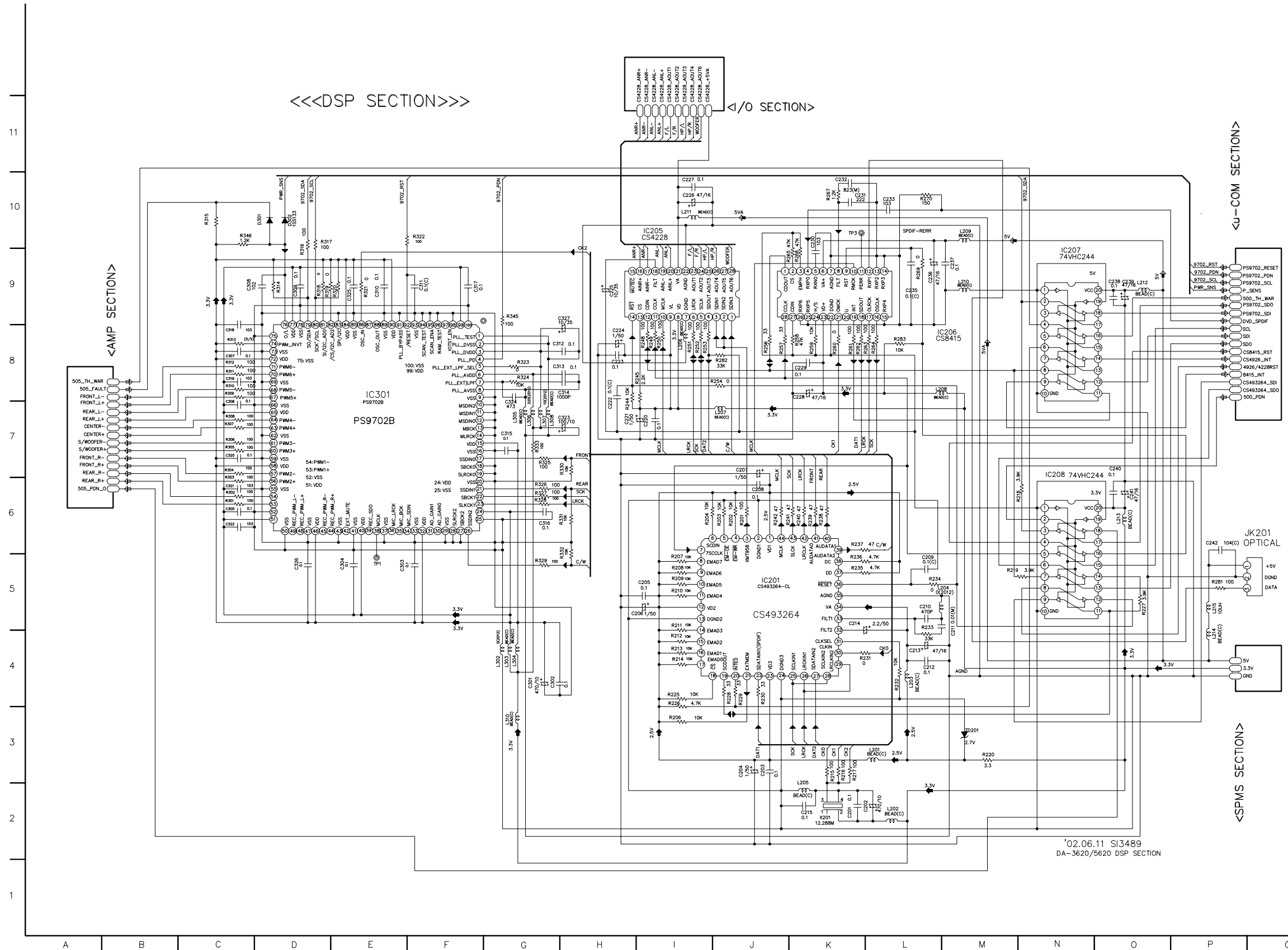
• I/O SCHEMATIC DIAGRAM

LOCATION GUIDE



C501	E11	FB502	C10	R570	O11
C502	E10	FB503	C10	R571	N11
C503	E9	FB504	C9	R572	M11
C504	E9	FB505	C9	R573	N11
C505	F0	FB506	C8	R574	L11
C506	F10	FB507	C8	R575	L11
C507	F10	FB508	J4	R576	L11
C508	F10	FB509	J3	R577	K11
C509	F9	FB601	C6	R578	K11
C510	F8	FB602	C5	R579	K11
C511	G9	FB603	C4	R580	K4
C512	G8	FB604	D4	R581	K2
C513	D9	FB605	C3	R582	K3
C514	O10	FB606	D3	R583	K3
C515	O9	FB607	C5	R584	K4
C516	K9	FB608	C6	R585	K2
C517	K9	FB609	C6	R586	L4
C518	K8	IC501	H10	R587	L2
C519	K9	IC502	G9	R588	N3
C520	K8	IC503	L9	R589	N3
C521	L10	IC504	L9	R603	E5
C522	K6	IC505	K6	R604	D4
C523	L10	IC506	L6	R605	D4
C524	L8	IC507	M11	R606	E3
C525	M10	IC508	K3	R607	D3
C526	M8	JK601	B11	R608	F5
C527	M9	JK602	B7	R609	G5
C528	M8	L601	G4	R610	G5
C529	M9	L602	G3	R611	G5
C530	M8	Q501	E7	R612	H4
C531	L9	Q502	E9	R613	B4
C532	L8	Q503	D8	SW601	F7
C533	M9	Q504	M9	ZD601	G4
C534	M8	Q505	K11		
C535	N7	Q507	J4		
C536	N5	Q508	J3		
C537	M6	R500	L3		
C538	M5	R501	D11		
C539	M7	R502	D10		
C540	M5	R503	D11		
C541	M6	R504	D10		
C542	M5	R505	D10		
C543	L7	R506	D9		
C544	L8	R507	D10		
C545	L6	R508	D9		
C546	L5	R509	E9		
C547	K7	R510	E8		
C548	K5	R511	F10		
C549	K6	R512	F9		
C550	K5	R513	F9		
C551	N6	R514	F8		
C552	N6	R515	F9		
C553	O6	R516	F8		
C554	O6	R517	F9		
C555	O11	R518	F8		
C556	O11	R519	G9		
C557	N11	R520	G8		
C558	N11	R521	H9		
C559	M11	R522	H8		
C560	M11	R523	J3		
C561	M10	R524	J3		
C562	M11	R525	L3		
C563	L11	R526	L8		
C564	L11	R527	L8		
C565	L10	R528	L8		
C566	L11	R529	J9		
C567	E11	R530	J8		
C568	E11	R531	K9		
C569	F9	R532	K6		
C570	F8	R533	K10		
C571	F9	R534	K8		
C572	F8	R535	L9		
C573	K4	R536	L8		
C574	K2	R537	L9		
C575	K4	R538	L8		
C576	K2	R539	M10		
C577	D9	R540	M8		
C578	D8	R541	M9		
C579	L4	R542	M8		
C580	L3	R543	M9		
C583	L3	R544	M8		
C584	L3	R545	O6		
C585	L2	R546	O5		
C586	L4	R547	N6		
C589	L3	R548	N5		
C590	L3	R549	N7		
C591	M3	R550	N5		
C592	M3	R551	M7		
C593	M3	R552	M5		
C594	M5	R553	L7		
C601	H6	R554	L4		
C602	H6	R555	M7		
C605	E5	R556	M5		
C606	E4	R557	L6		
C607	E4	R558	L5		
C608	D4	R559	K6		
C610	D3	R560	K5		
C611	E3	R561	K6		
C612	D3	R562	K5		
C616	G4	R563	J6		
C617	F4	R564	J5		
C618	F3	R565	J6		
C619	F3	R566	J5		
C620	E5	R567	O11		
C621	H6	R568	O10		
FB501	C11	R569	O11		

DSP(DIGITAL AUDIO PROCESSING) SCHEMATIC DIAGRAM

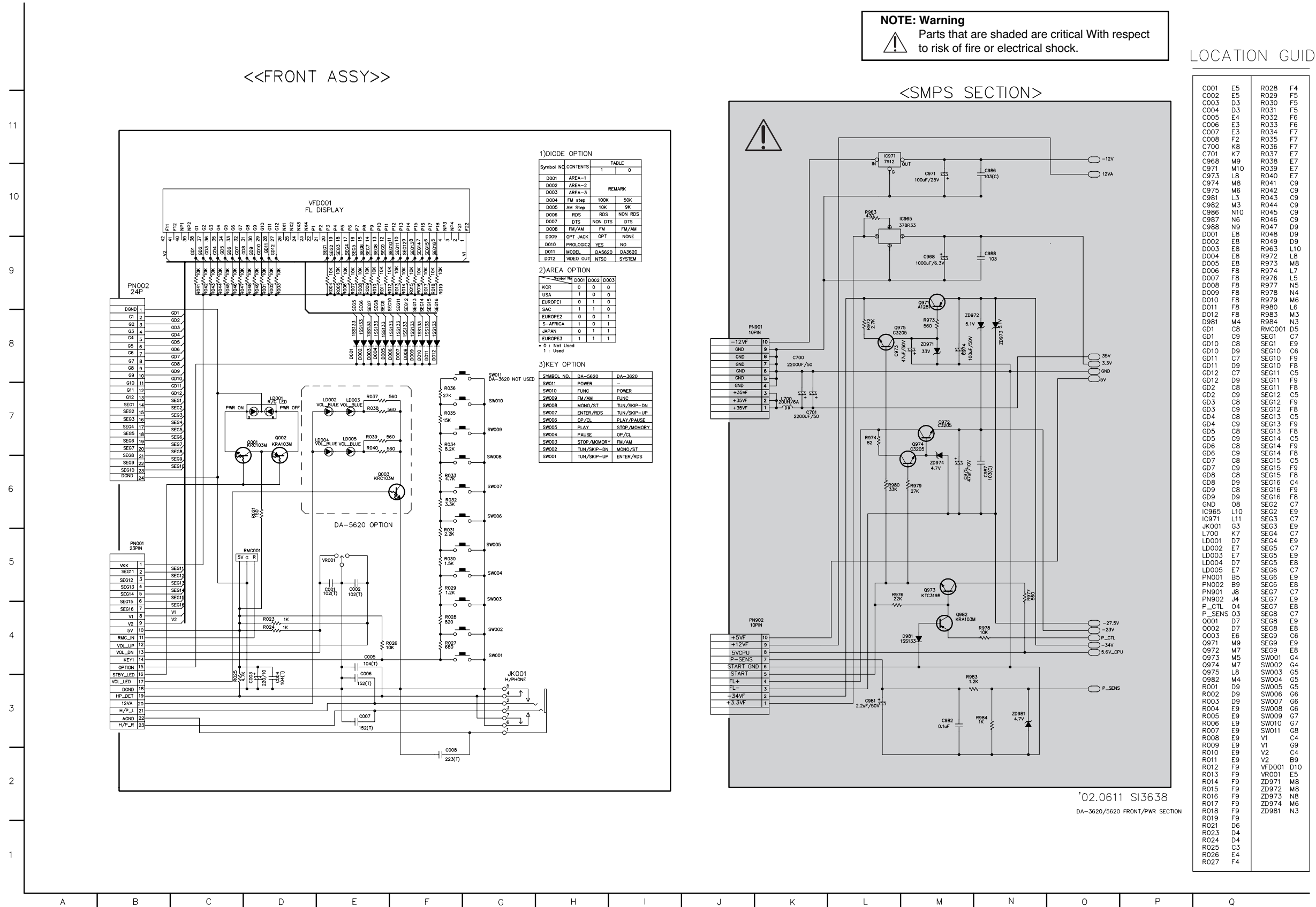


LOCATION GUIDE


C201	K2	R201	J6
C202	L2	R202	J6
C203	J3	R203	J6
C204	J3	R204	I6
C205	I5	R205	I3
C206	H5	R206	I5
C207	J7	R207	I5
C208	J6	R208	I5
C209	L5	R209	I5
C210	L5	R210	I5
C211	M4	R211	I4
C212	L4	R212	I4
C213	L4	R213	I4
C214	K5	R214	I4
C215	K2	R215	K3
C216	K2	R216	K3
C217	K2	R217	K3
C218	H7	R218	H5
C219	H7	R219	M5
C220	H7	R220	M3
C221	H8	R221	I4
C222	H8	R222	I4
C223	H8	R223	I4
C224	H8	R224	I4
C225	H9	R225	I4
C226	H9	R226	I4
C227	H9	R227	I4
C228	H8	R228	J4
C229	H8	R229	J4
C230	K10	R230	J4
C231	K10	R231	K4
C232	K10	R232	L4
C233	K10	R233	L5
C234	L10	R234	L5
C235	L9	R235	K5
C236	L9	R236	K5
C237	M9	R237	K5
C238	O9	R238	K6
C239	O9	R239	K6
C240	O7	R240	K6
C241	O6	R241	K6
C242	O6	R242	J6
C243	O4	R243	H7
C244	O4	R244	H7
C245	E5	R245	I8
C246	E5	R246	I8
C247	E5	R247	I8
C248	E6	R248	I8
C249	E6	R249	I8
C250	E6	R250	I8
C251	E7	R251	I8
C252	C8	R252	I8
C253	C8	R253	I8
C254	C8	R254	I8
C255	D9	R255	J8
C256	D9	R256	J8
C257	D9	R257	J6
C258	G8	R258	K8
C259	G8	R259	K8
C260	G8	R260	K8
C261	G7	R261	K8
C262	G6	R262	K8
C263	F9	R263	L8
C264	F8	R264	L8
C265	C7	R265	K9
C266	C7	R266	K9
C267	C6	R267	K10
C268	C6	R268	L9
C269	G7	R269	J8
C270	G7	R270	L8
C271	E9	R271	C6
C272	D5	R272	C6
C273	D5	R273	C6
C274	D10	R274	C7
C275	D10	R275	C7
C276	D10	R276	C7
C277	D10	R277	C7
C278	D10	R278	C7
C279	D10	R279	C7
C280	D10	R280	C7
C281	D10	R281	C7
C282	D10	R282	C7
C283	D10	R283	C7
C284	D10	R284	C7
C285	D10	R285	C7
C286	D10	R286	C7
C287	D10	R287	C7
C288	D10	R288	C7
C289	D10	R289	C7
C290	D10	R290	C7
C291	D10	R291	C7
C292	D10	R292	C7
C293	D10	R293	C7
C294	D10	R294	C7
C295	D10	R295	C7
C296	D10	R296	C7
C297	D10	R297	C7
C298	D10	R298	C7
C299	D10	R299	C7
C300	D10	R300	C7
C301	D10	R301	C7
C302	D10	R302	C7
C303	D10	R303	C7
C304	D10	R304	C7
C305	D10	R305	C7
C306	D10	R306	C7
C307	D10	R307	C7
C308	D10	R308	C7
C309	D10	R309	C7
C310	D10	R310	C7
C311	D10	R311	C7
C312	D10	R312	C7
C313	D10	R313	C7
C314	D10	R314	C7
C315	D10	R315	C7
C316	D10	R316	C7
C317	D10	R317	C7
C318	D10	R318	C7
C319	D10	R319	C7
C320	D10	R320	C7
C321	D10	R321	C7
C322	D10	R322	C7
C323	D10	R323	C7
C324	D10	R324	C7
C325	D10	R325	C7
C326	D10	R326	C7
C327	D10	R327	C7
C328	D10	R328	C7
C329	D10	R329	C7
C330	D10	R330	C7
C331	D10	R331	C7
C332	D10	R332	C7
C333	D10	R333	C7
C334	D10	R334	C7
C335	D10	R335	C7
C336	D10	R336	C7
C337	D10	R337	C7
C338	D10	R338	C7
C339	D10	R339	C7
C340	D10	R340	C7
C341	D10	R341	C7
C342	D10	R342	C7
C343	D10	R343	C7
C344	D10	R344	C7
C345	D10	R345	C7
C346	D10	R346	C7
C347	D10	R347	C7
C348	D10	R348	C7
C349	D10	R349	C7
C350	D10	R350	C7
C351	D10	R351	C7
C352	D10	R352	C7
C353	D10	R353	C7
C354	D10	R354	C7
C355	D10	R355	C7
C356	D10	R356	C7
C357	D10	R357	C7
C358	D10	R358	C7
C359	D10	R359	C7
C360	D10	R360	C7
C361	D10	R361	C7
C362	D10	R362	C7
C363	D10	R363	C7
C364	D10	R364	C7
C365	D10	R365	C7
C366	D10	R366	C7
C367	D10	R367	C7
C368	D10	R368	C7
C369	D10	R369	C7
C370	D10	R370	C7
C371	D10	R371	C7
C372	D10	R372	C7
C373	D10	R373	C7
C374	D10	R374	C7
C375	D10	R375	C7
C376	D10	R376	C7
C377	D10	R377	C7
C378	D10	R378	C7
C379	D10	R379	C7
C380	D10	R380	C7
C381	D10	R381	C7
C382	D10	R382	C7
C383	D10	R383	C7
C384	D10	R384	C7
C385	D10	R385	C7
C386	D10	R386	C7
C387	D10	R387	C7
C388	D10	R388	C7
C389	D10	R389	C7
C390	D10	R390	C7
C391	D10	R391	C7
C392	D10	R392	C7
C393	D10	R393	C7
C394	D10	R394	C7
C395	D10	R395	C7
C396	D10	R396	C7
C397	D10	R397	C7
C398	D10	R398	C7
C399	D10	R399	C7
C400	D10	R400	C7

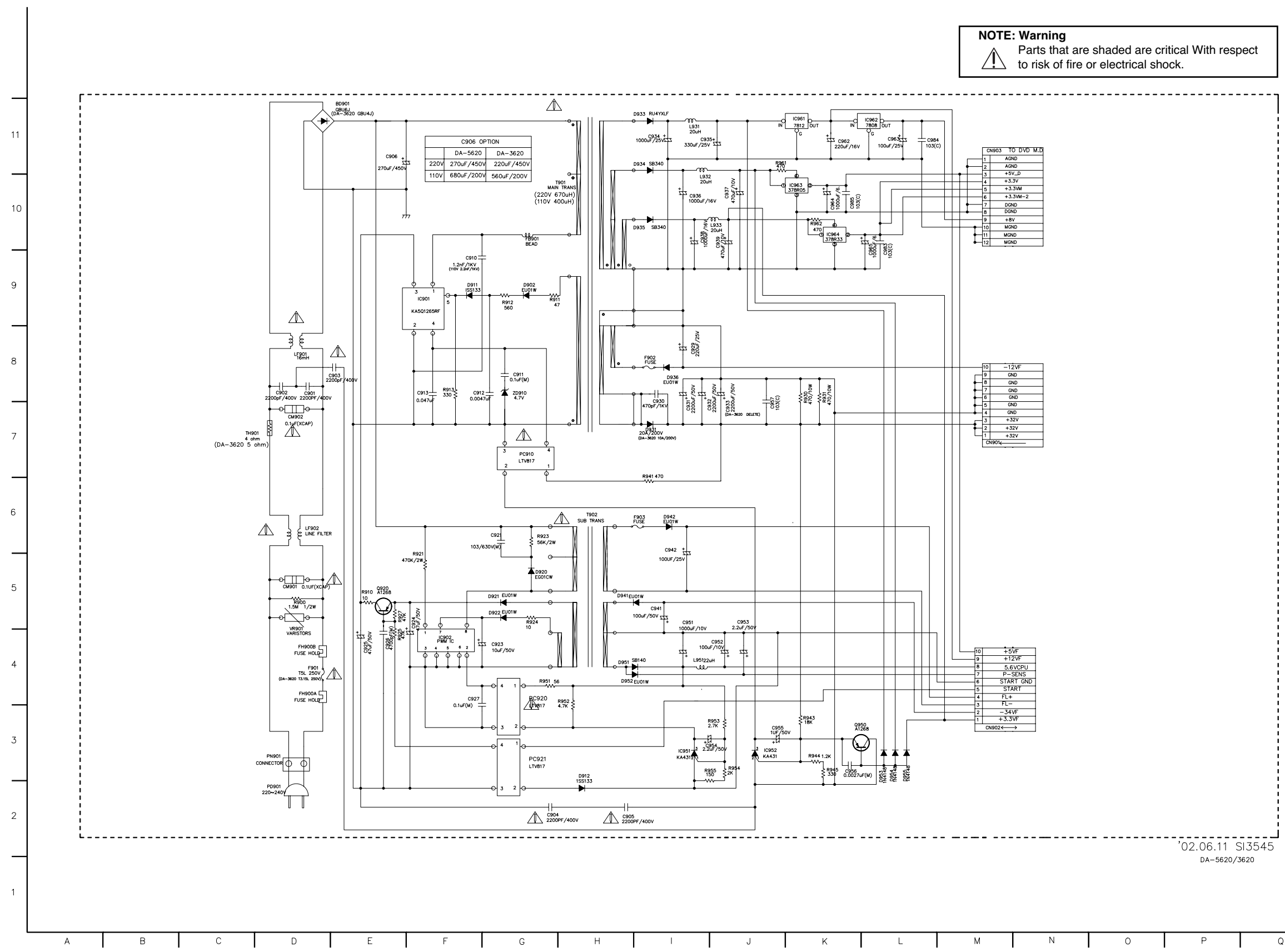
'02.06.11 SI3489
DA-3620/5620 DSP SECTION

• FRONT & POWER SCHEMATIC DIAGRAM



• SMPS SCHEMATIC DIAGRAM

NOTE: Warning
 Parts that are shaded are critical With respect to risk of fire or electrical shock.

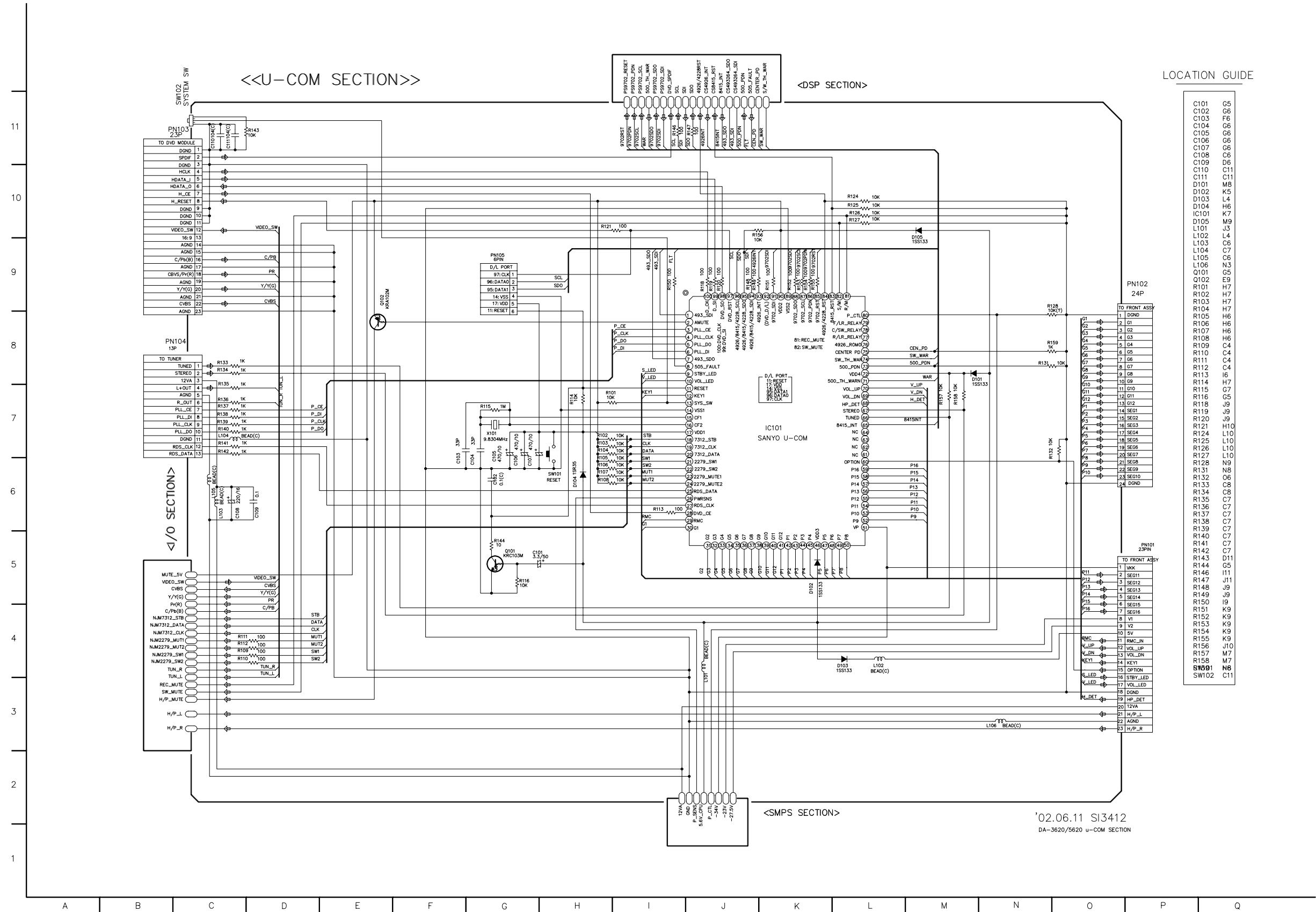


LOCATION GUIDE

BD901	D11	D942	I6
C901	D8	D951	H4
C902	D8	D952	H4
C903	D8	D953	L2
C904	G2	D954	L2
C905	H2	D955	L2
C906	E11	F901	D4
C910	F9	F902	I8
C911	G8	F903	H6
C912	F8	FB901	G10
C913	F8	FH900A	D4
C921	G6	FH900B	D4
C923	G4	IC901	F9
C924	F5	IC902	F4
C925	E4	IC951	I3
C926	E4	IC952	J3
IC961	K11	IC961	K11
C929	I8	IC962	K11
C930	I7	IC963	J10
C931	I7	IC964	K10
C932	I7	L931	I11
C933	J7	L932	I10
C934	I11	L933	I10
C935	I11	L951	I4
C936	I10	LF901	D8
C937	J10	LF902	D6
C938	I10	PC910	G7
C939	J10	PC920	G4
C941	I5	PC921	G3
C942	I6	PD901	D2
C951	I5	PN901	D3
C952	I4	Q920	E5
C953	J5	Q950	K3
C954	I3	R900	D5
C955	J3	R910	E5
C956	K3	R911	G9
C957	J7	R912	G9
C962	K11	R913	F8
C963	L11	R921	E5
C964	K10	R923	G6
C965	L9	R924	G5
C983	L9	R925	E4
C984	L11	R927	E5
C985	K10	R930	K7
CM901	D5	R931	K7
CM902	D7	R941	I6
CN901	M7	R943	K3
CN902	M3	R944	K3
CN903	M11	R945	K3
D902	G9	R951	G4
D911	F9	R952	G4
D912	H3	R953	I3
D920	G5	R954	J3
D921	F5	R955	I3
D922	F5	R961	J11
D931	I7	R962	K10
D933	H11	T901	G10
D934	H11	T902	H6
D935	H10	TH901	C7
D936	I8	VR901	D4
D941	H5	ZD910	G8

02.06.11 SI3545
 DA-5620/3620

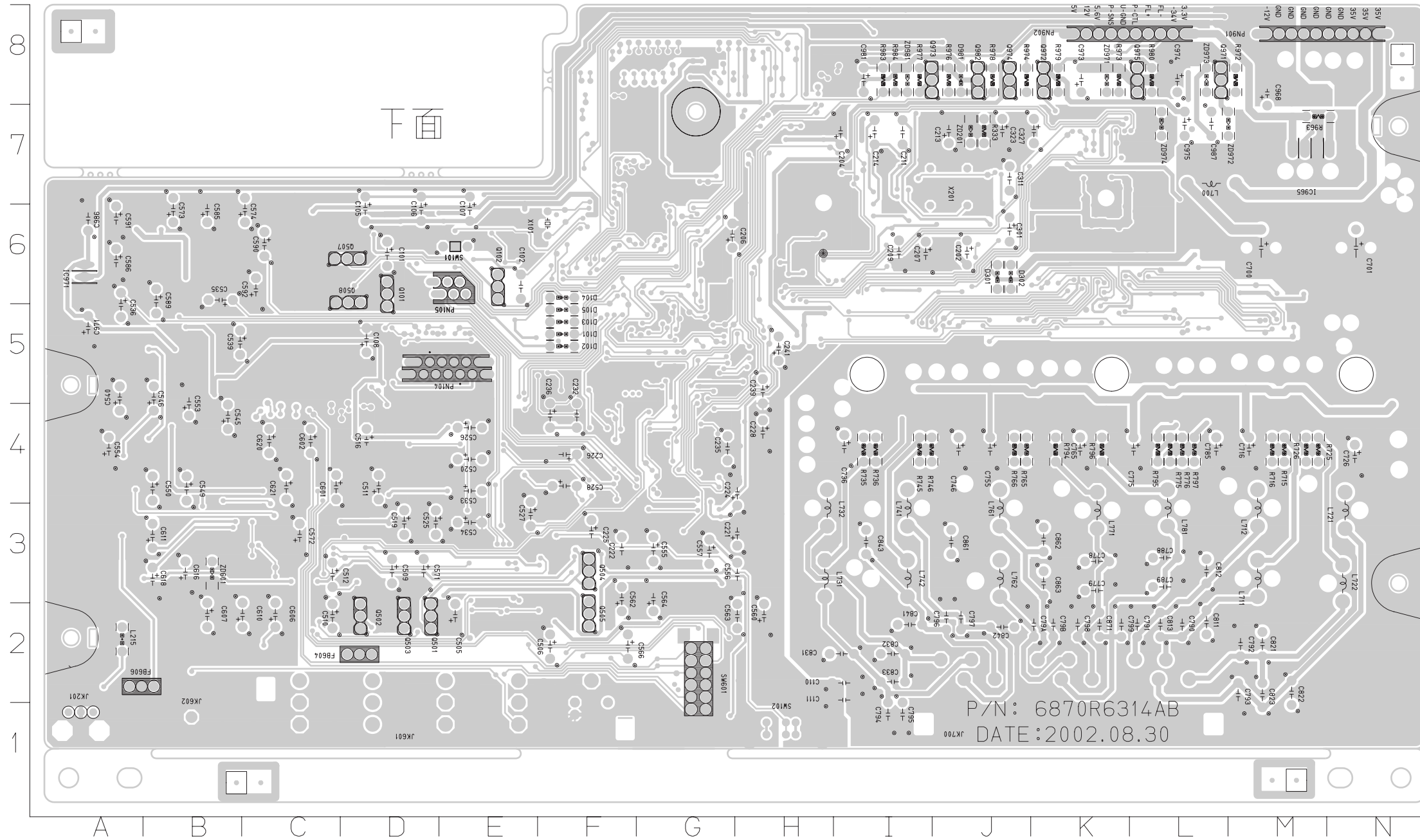
μ-COM SCHEMATIC DIAGRAM



'02.06.11 SI3412
DA-3620/5620 u-COM SECTION

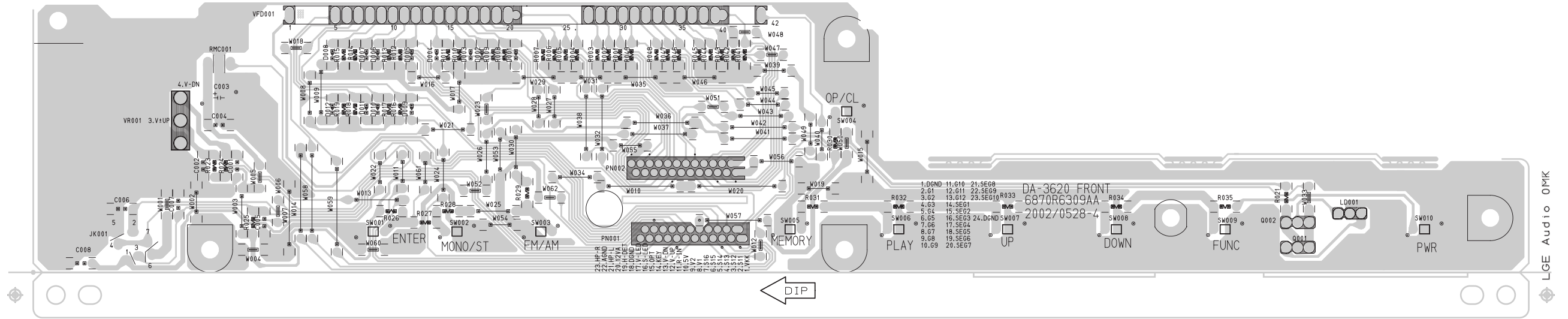
PRINTED CIRCUIT DIAGRAMS

• MAIN P.C. BOARD(SOLDER SIDE)



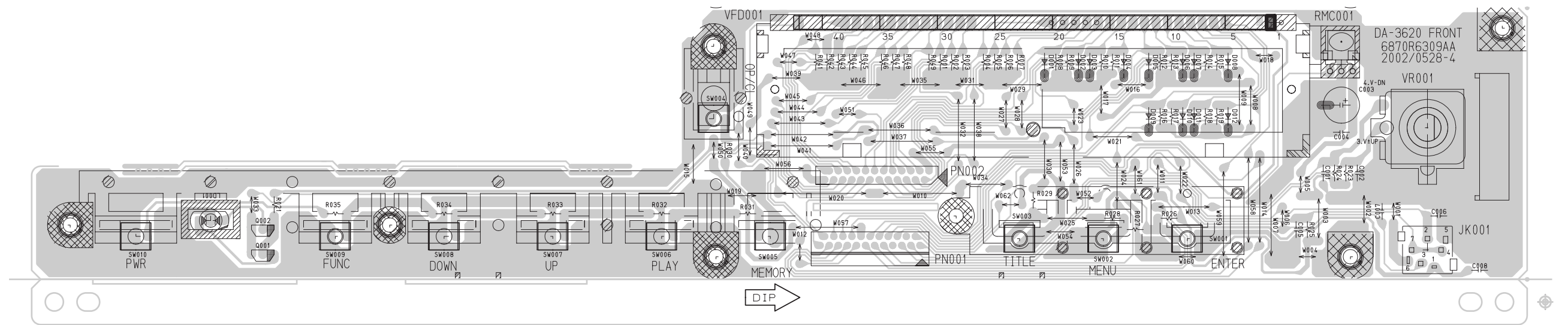
ICT110	E9	ICT259	D5	ICT478	G5
ICT111	E2	ICT262	D5	ICT480	G6
ICT185	E3	ICT263	D5	ICT481	G6
ICT186	D3	ICT270	F5	ICT482	M5
ICT200	G2	ICT274	F6	ICT483	M6
ICT221	F7	ICT277	G6	ICT484	J5
ICT222	F8	ICT284	D5	ICT486	G6
ICT223	F8	ICT286	D5	ICT488	J5
ICT224	F8	ICT289	G6	ICT489	K5
ICT225	F7	ICT292	G6	ICT49	L5
ICT226	F7	ICT296	G7	ICT492	F4
ICT227	F7	ICT300	F6	ICT50	L5
ICT228	F8	ICT301	F6	ICT501	G5
ICT229	F8	ICT304	H7	ICT502	F6
ICT230	F8	ICT307	F6	ICT503	G5
ICT231	F8	ICT322	G5	ICT508	M5
ICT232	F8	ICT326	G5	ICT509	M5
ICT233	F8	ICT327	H6	ICT510	I8
ICT234	G8	ICT330	I7	ICT511	D6
ICT235	G8	ICT331	I7	ICT512	H8
ICT236	G8	ICT355	K6	ICT513	C3
ICT237	G8	ICT364	J7	ICT517	F7
ICT238	G8	ICT371	G5	ICT518	F7
ICT239	G8	ICT387	K7	ICT519	F6
ICT240	G8	ICT391	K7	ICT520	K7
ICT241	G8	ICT399	H7	ICT521	H6
ICT242	G8	ICT400	H7	ICT524	G5
ICT243	G8	ICT401	G4	ICT528	J5
ICT244	G8	ICT402	G4	ICT529	M5
ICT245	G8	ICT404	K7	ICT530	L6
ICT246	G8	ICT406	K7	ICT533	K6
ICT247	G8	ICT415	H5	ICT534	L5
ICT248	H8	ICT419	G4	ICT535	H5
ICT249	F7	ICT424	F4	ICT536	G5
ICT250	G6	ICT425	D3	ICT538	F5
ICT251	H8	ICT449	G5	ICT540	G6
ICT252	H8	ICT450	G4	ICT541	E5
ICT253	G7	ICT465	N8	ICT542	E5
ICT254	H8	ICT472	H8	ICT543	A6
ICT255	H8	ICT473	L7	ICT544	C4
ICT256	H8	ICT474	G8	ICT82	C3
ICT258	D5	ICT476	H5	ICT97	H7

• MAIN/FRONT P.C. BOARD(SOLDER SIDE)

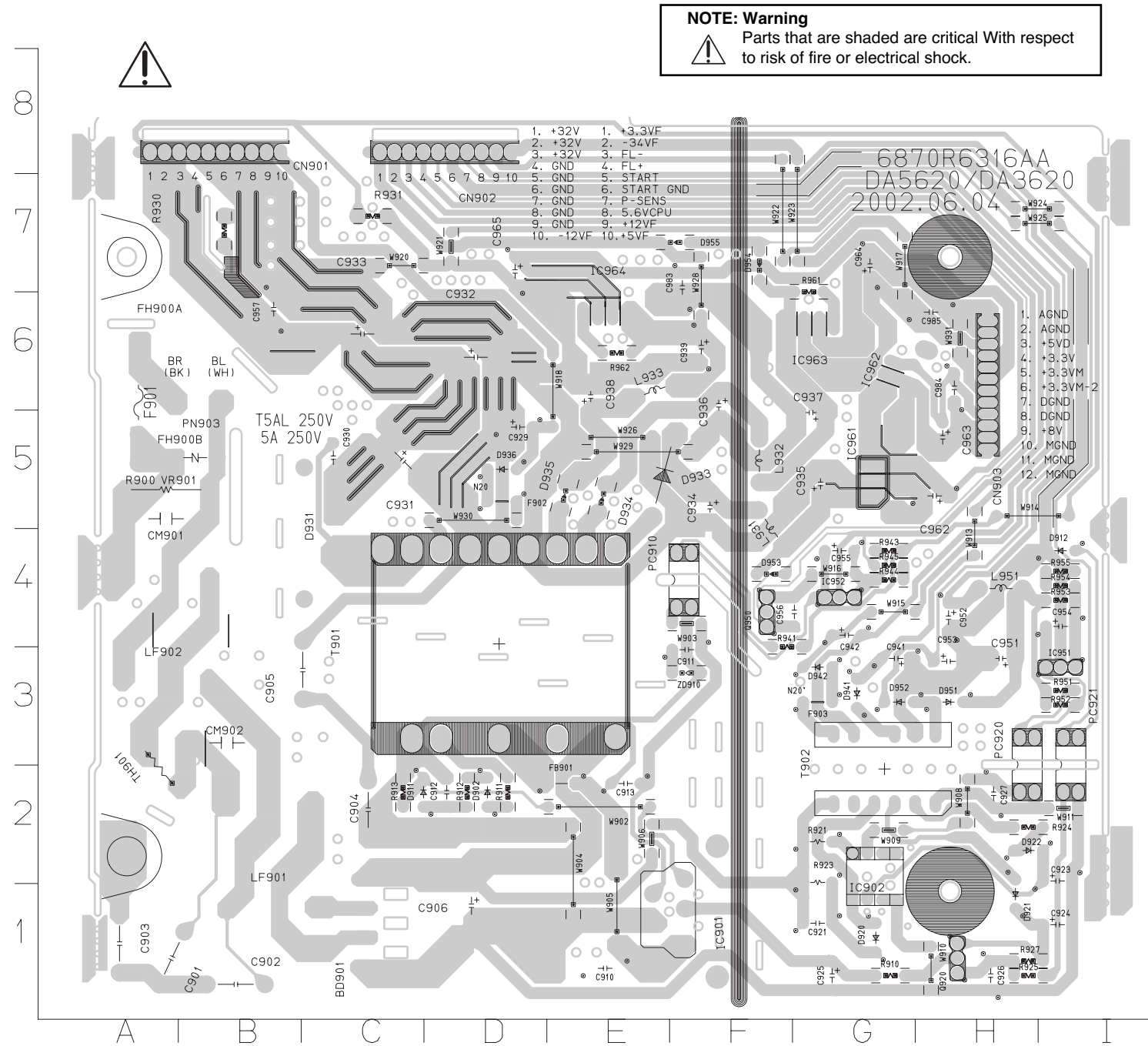


LGE Audio OMK

• MAIN/FRONT P.C. BOARD(COMPONENT SIDE)



• POWER P.C. BOARD



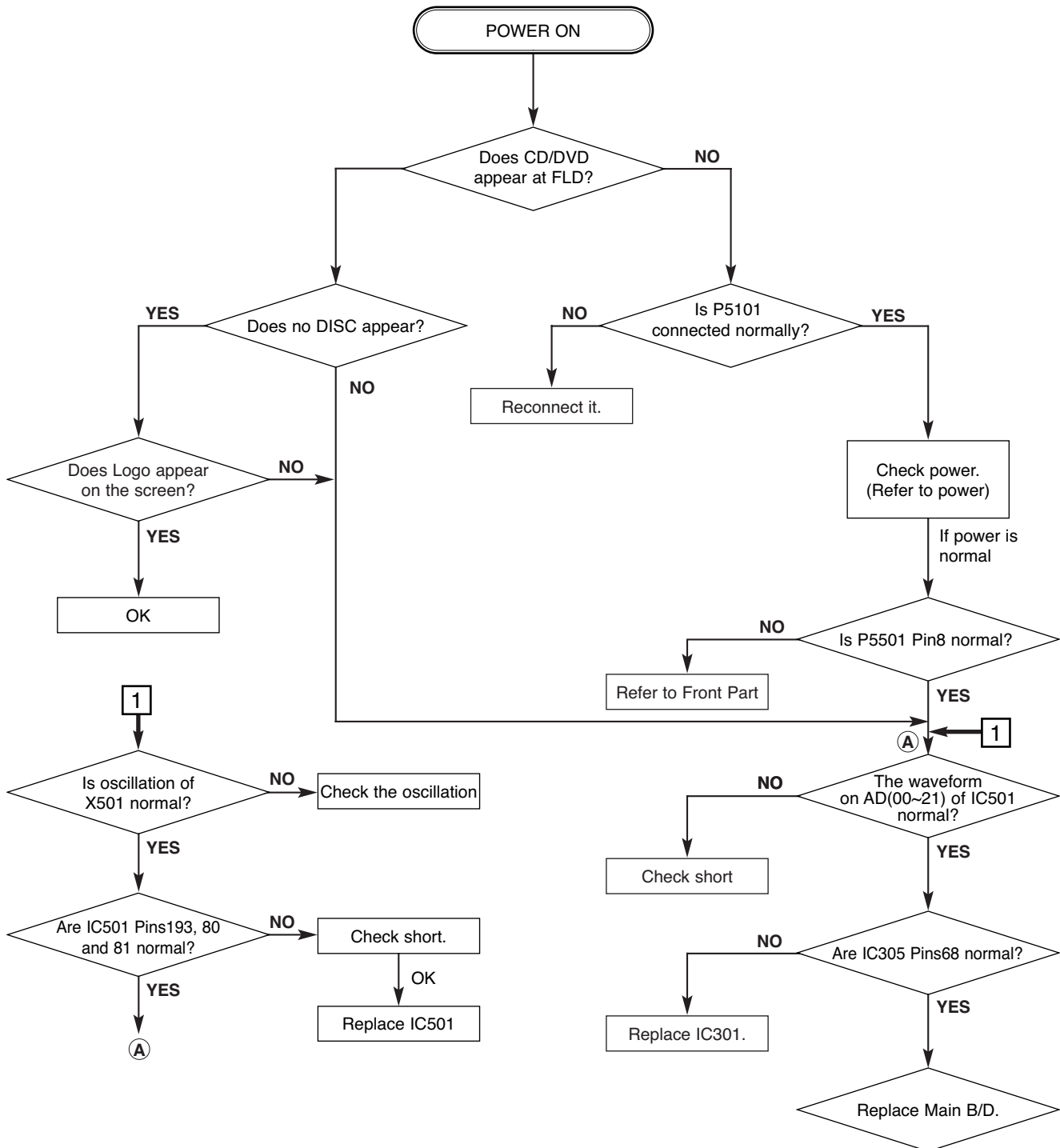
BD901	C1	D941	G3
C901	A1	D942	G3
C902	B1	D951	H3
C903	A1	D952	G3
C904	C2	D953	F4
C905	C3	D954	F7
C906	D1	D955	F7
C910	E1	F902	D5
C911	F3	F903	G3
C912	D2	FB901	E2
C913	E2	FH900A	A6
C921	G1	FH900B	A5
C923	I2	IC901	F1
C924	I1	IC902	G2
C925	G1	IC951	I3
C926	H1	IC952	G4
C927	H2	IC961	G5
C929	D5	IC962	G6
C930	C5	IC963	G6
C931	C5	IC964	E6
C932	D6	L931	F5
C933	C6	L932	F5
C934	F5	L933	E6
C935	G5	L951	H4
C936	F6	LF901	B2
C937	G5	LF902	A4
C938	E6	PC910	F4
C939	F6	PC920	H3
C941	G3	PC921	I3
C942	G4	PN903	B6
C951	H3	Q920	H1
C952	H4	Q950	F4
C953	H3	R900	A5
C954	I4	R910	G1
C955	G4	R911	D2
C956	G4	R912	D2
C957	B6	R913	C2
C962	H5	R921	G2
C963	H5	R923	G2
C964	G7	R924	H2
C965	D7	R925	H1
C983	F7	R927	H1
C984	H6	R930	B7
C985	H6	R931	C7
CM901	A5	R941	F3
CM902	B3	R943	G4
CN901	B8	R944	G4
CN902	D8	R945	G4
CN903	H6	R951	I3
D902	D2	R952	I3
D911	C2	R953	I4
D912	I4	R954	I4
D920	G1	R955	I4
D921	H1	R961	G6
D922	H2	R962	E6
D931	C4	T901	D4
D933	E5	T902	G2
D934	E5	TH901	A2
D935	E5	VR901	B5
D936	D5	ZD910	F3

SECTION 3. DVD PART

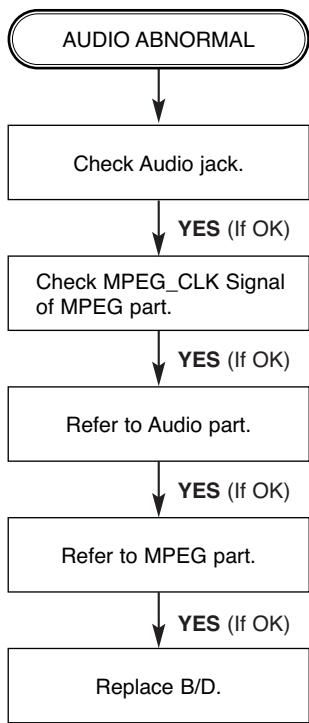
ELECTRICAL TROUBLESHOOTING GUIDE

1. μ -COM Circuit

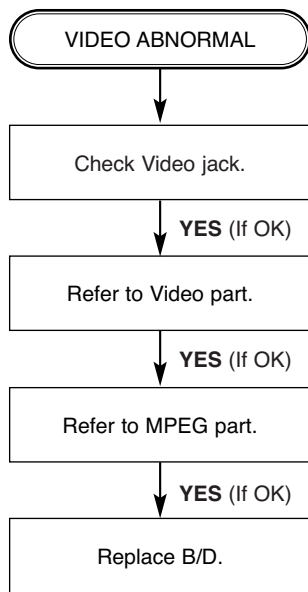
A. No Power



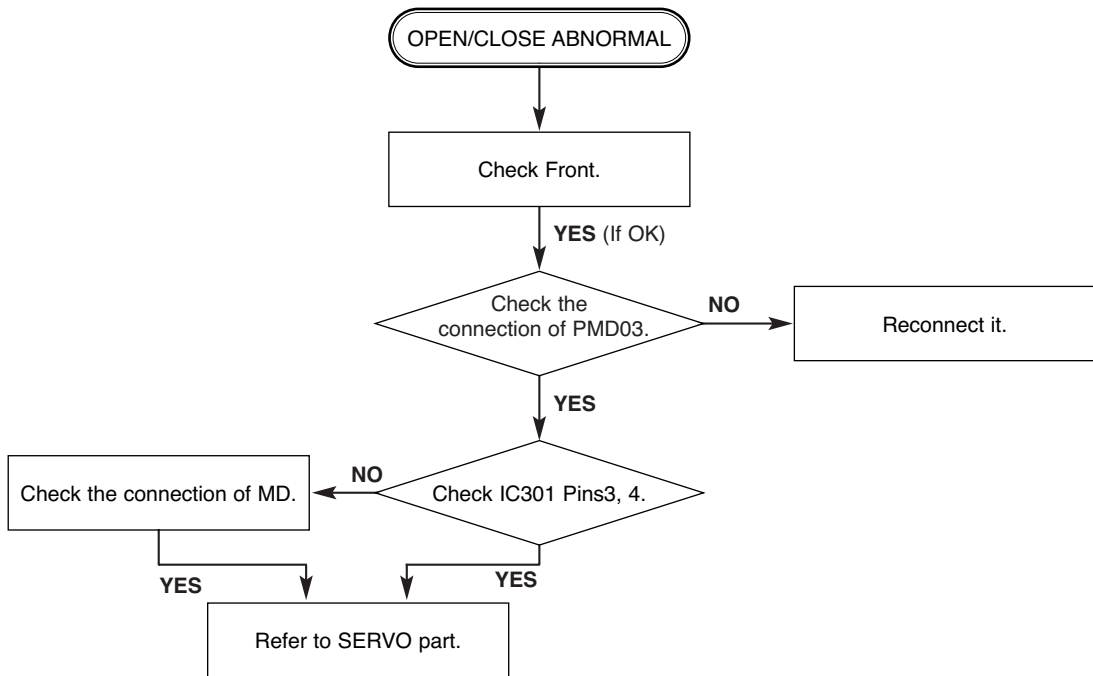
B. Audio abnormal



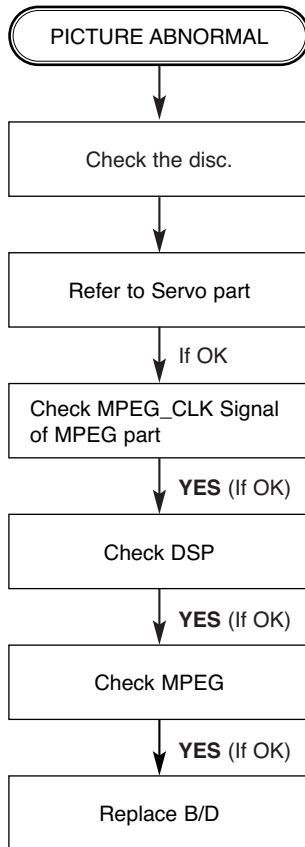
C. Video abnormal



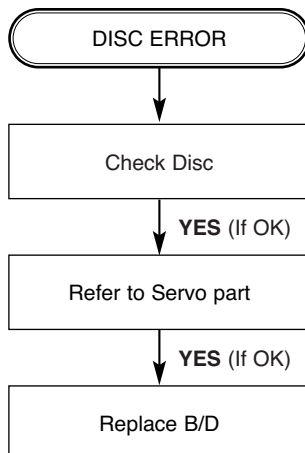
D. Open/Close abnormal



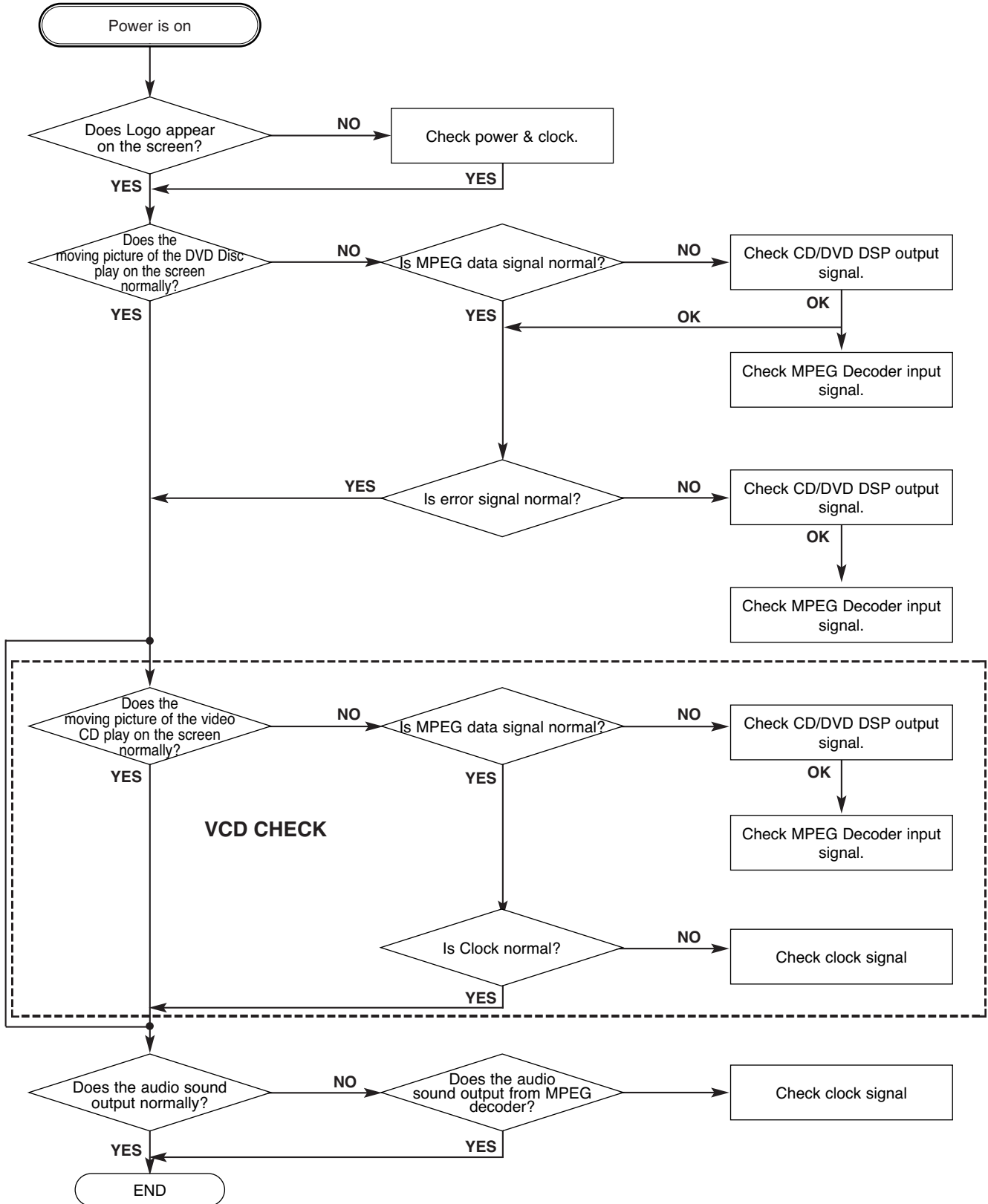
E. Picture abnormal



F. Disc Error

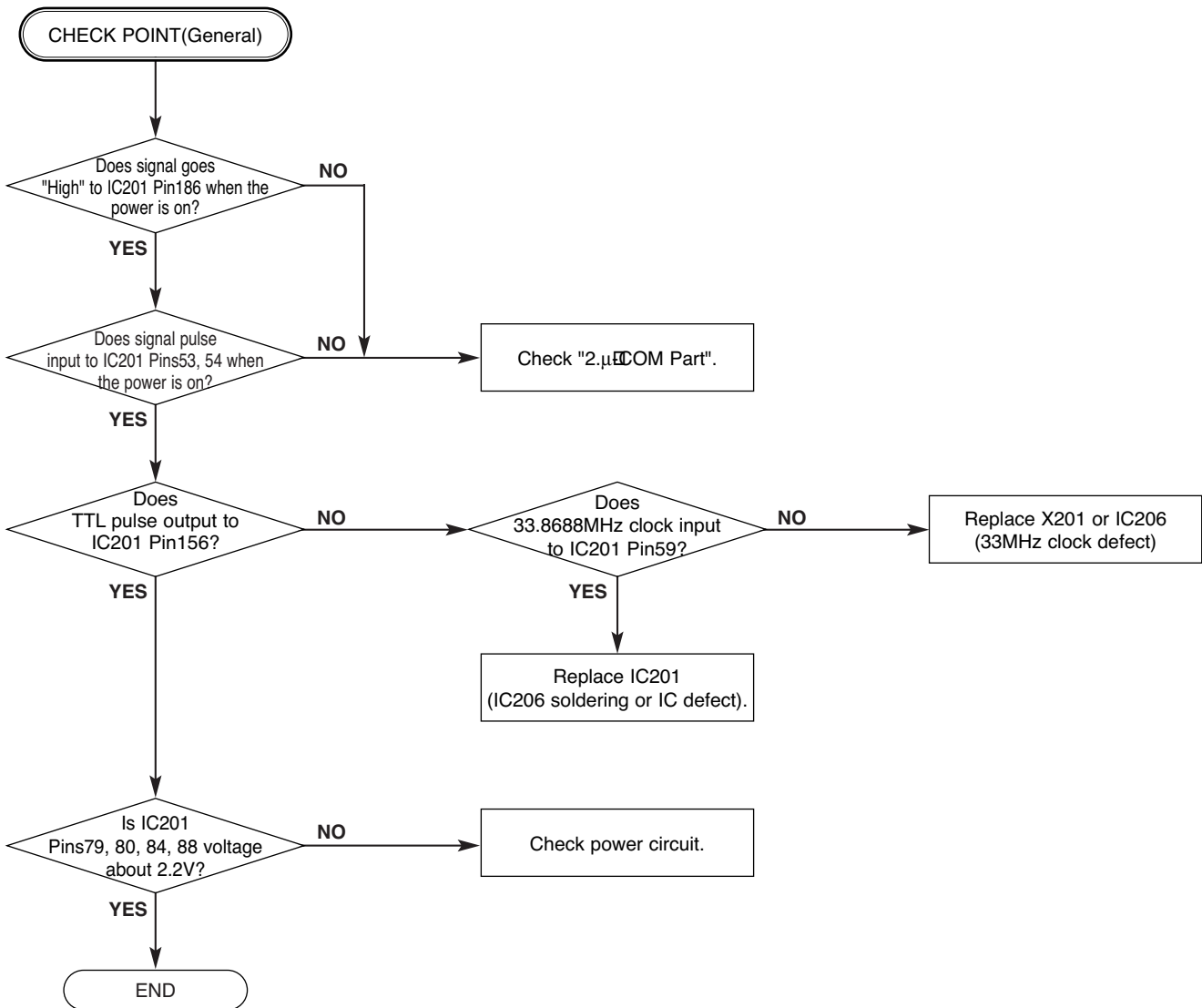


2. MPEG Circuit

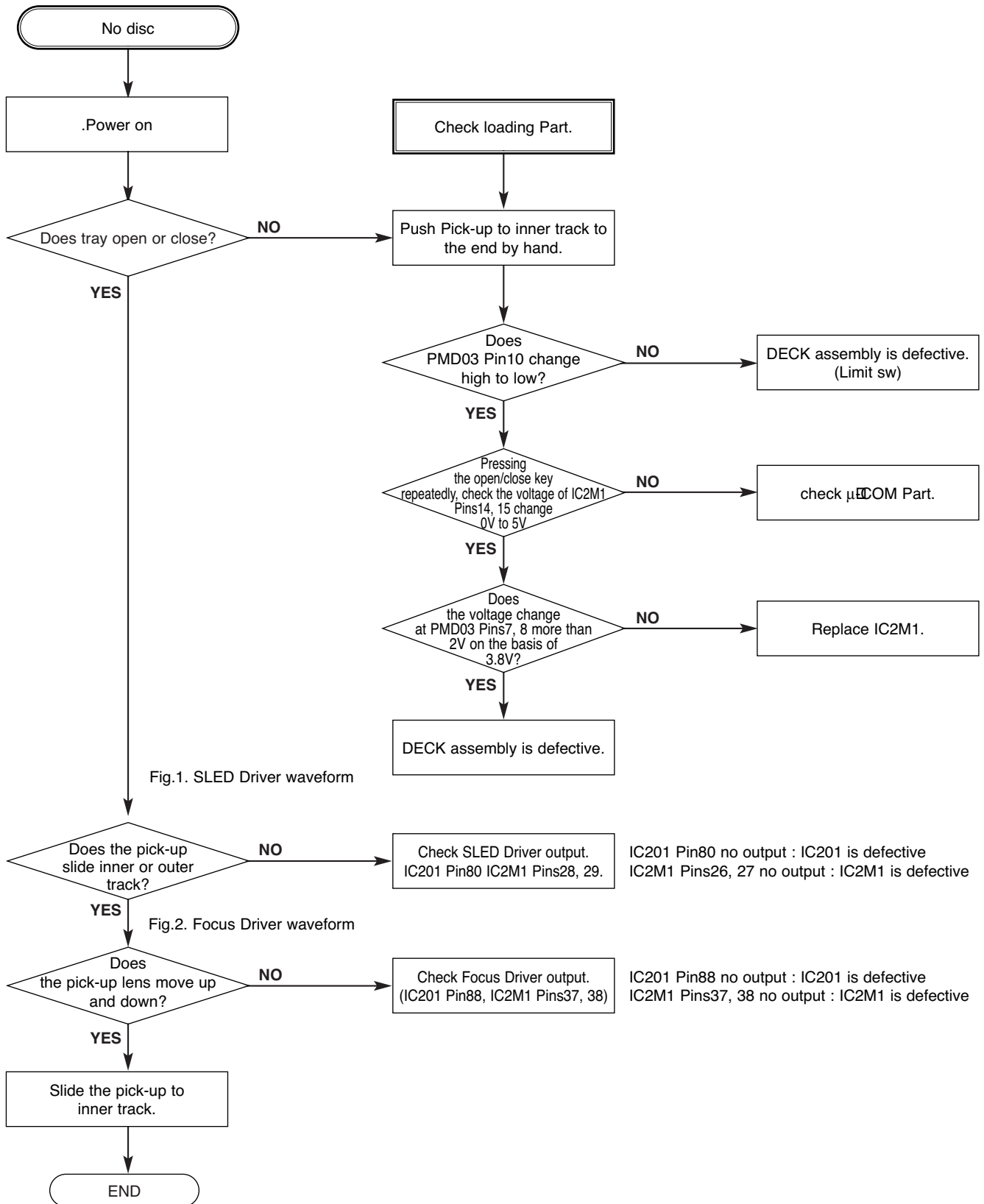


3. RF/Servo Circuit

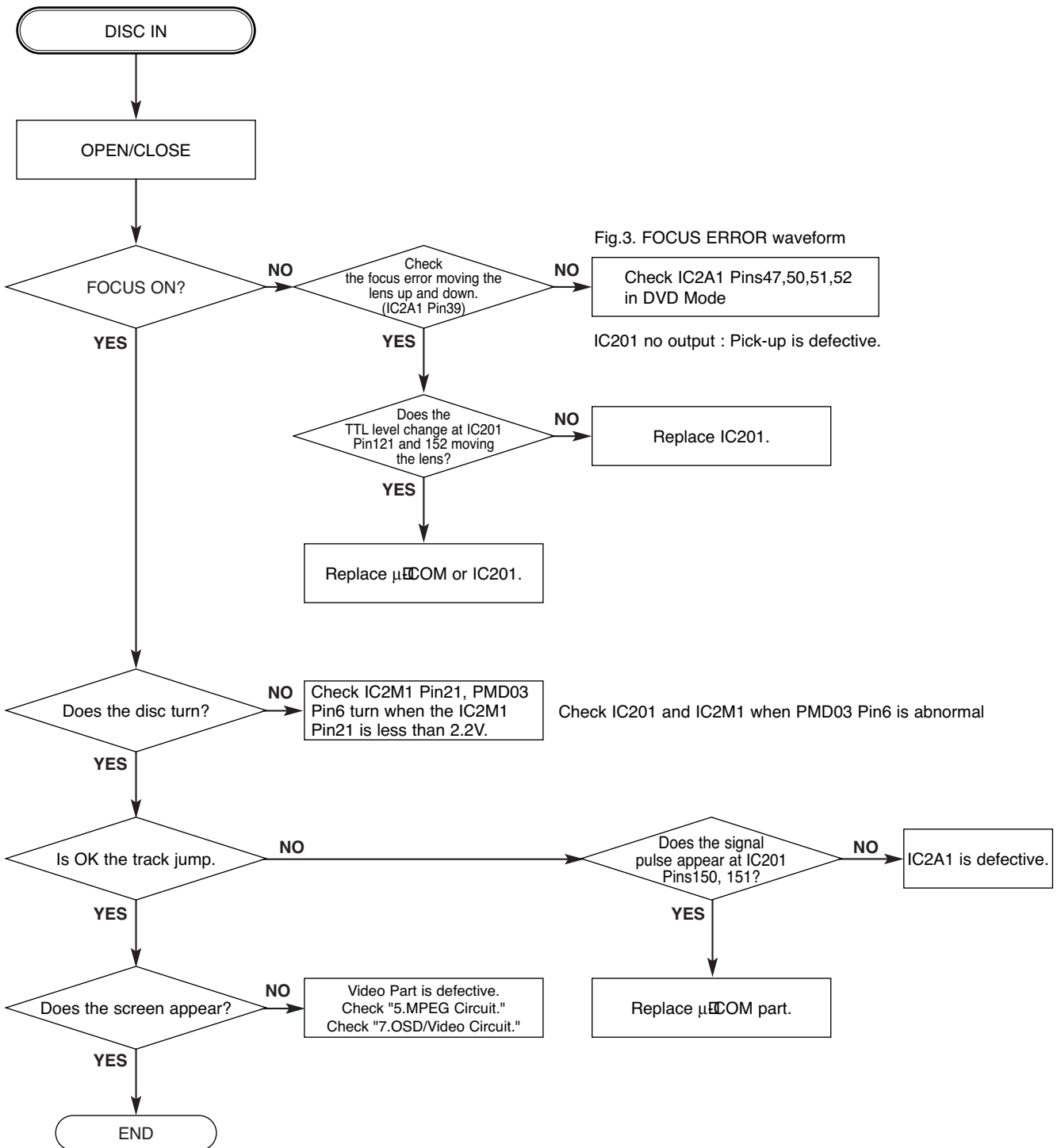
A.



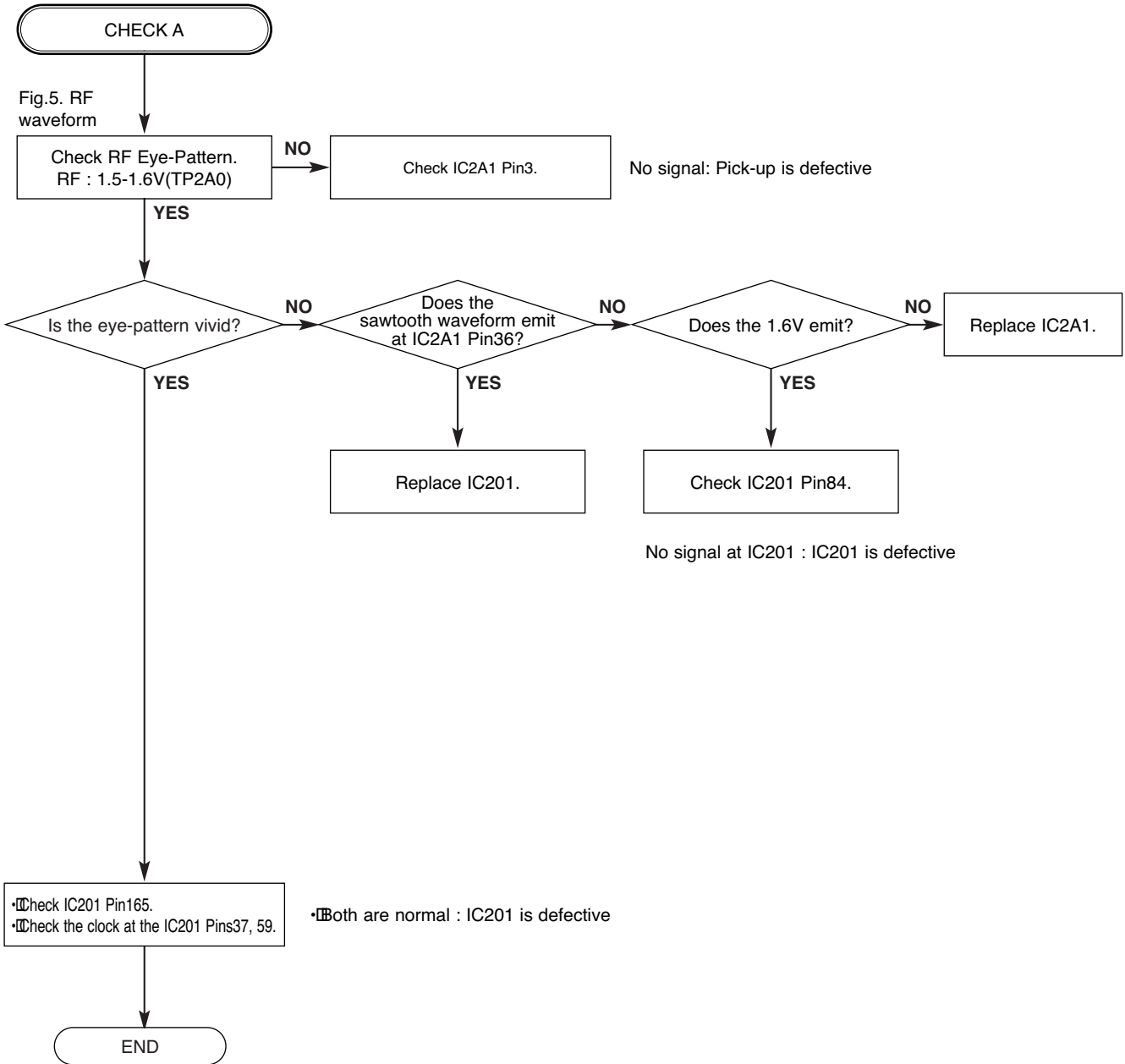
B.



C.

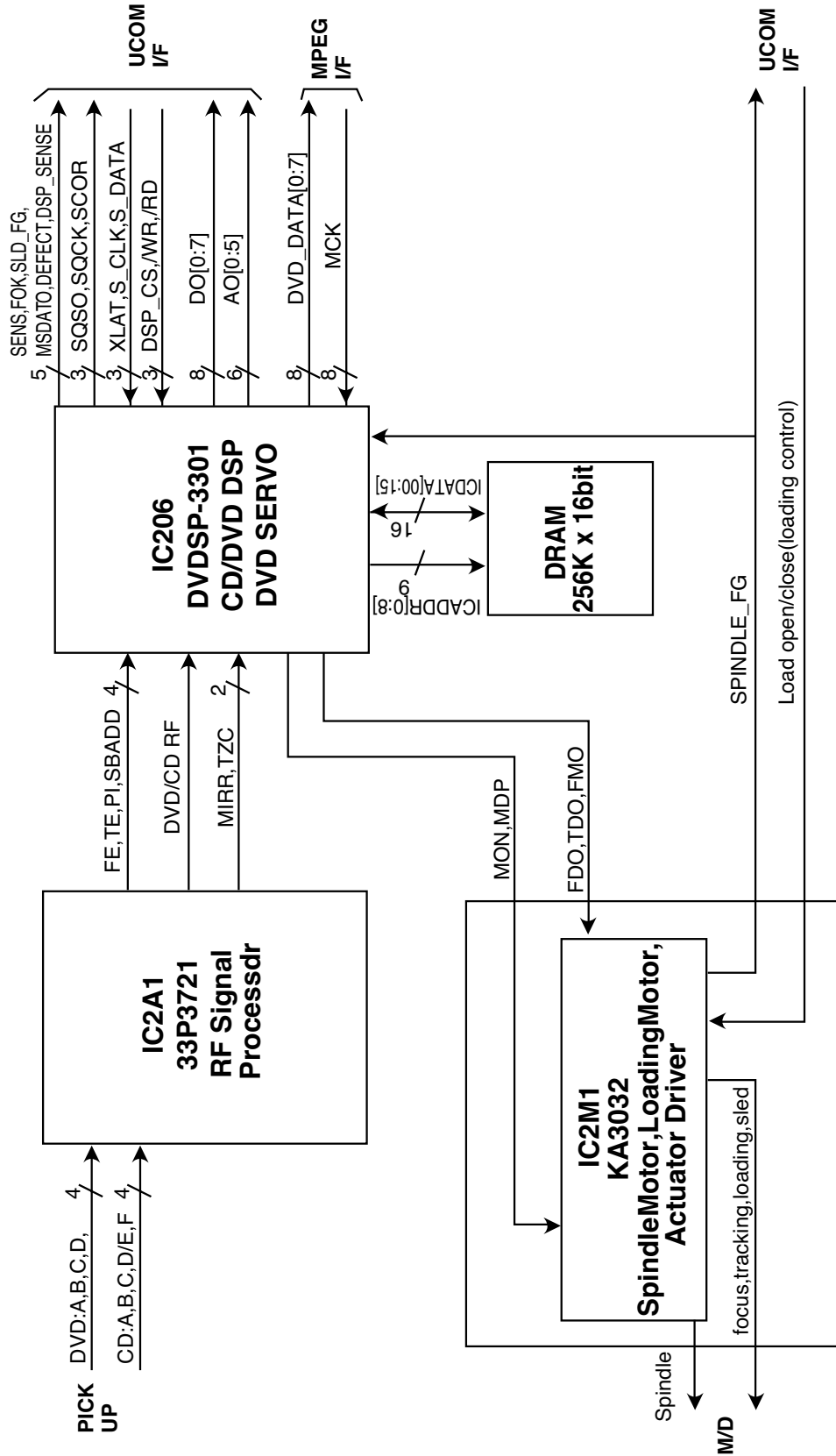


D.

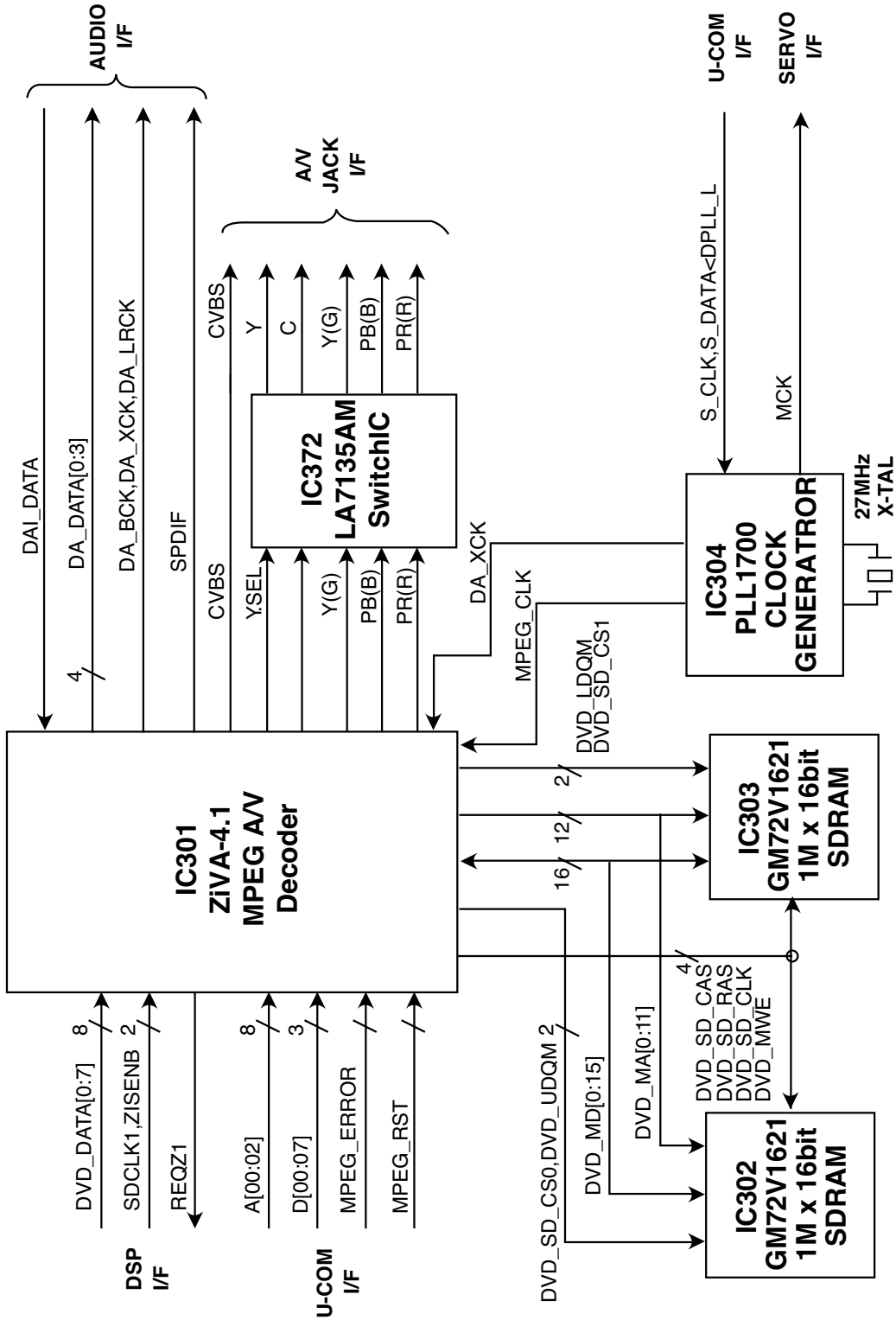


BLOCK DIAGRAMS

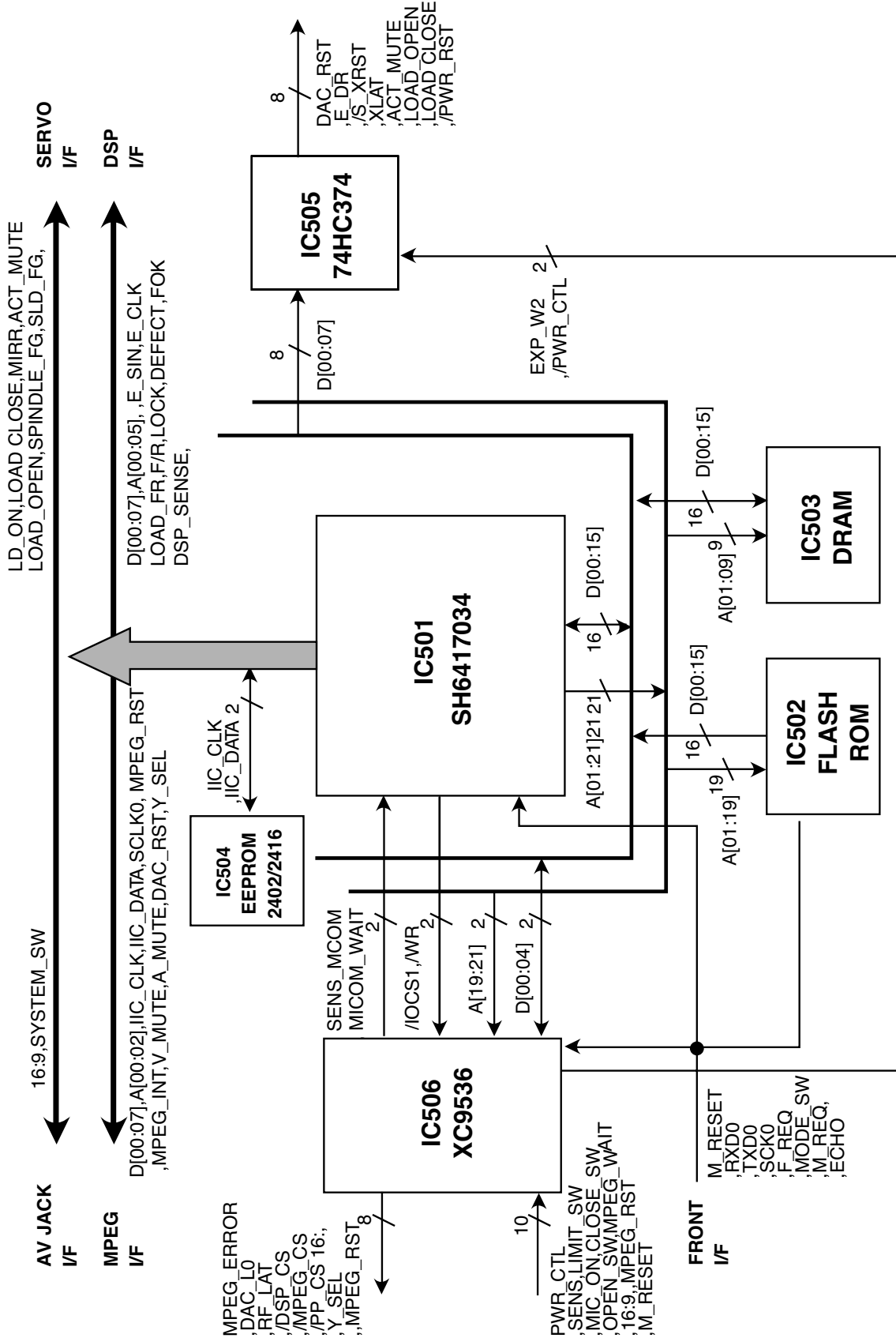
1. RF/CD DSP/DVD DSP/DVD SERVO Block Diagram



2. MPEG Block Diagram



3. μ -COM Block Diagram

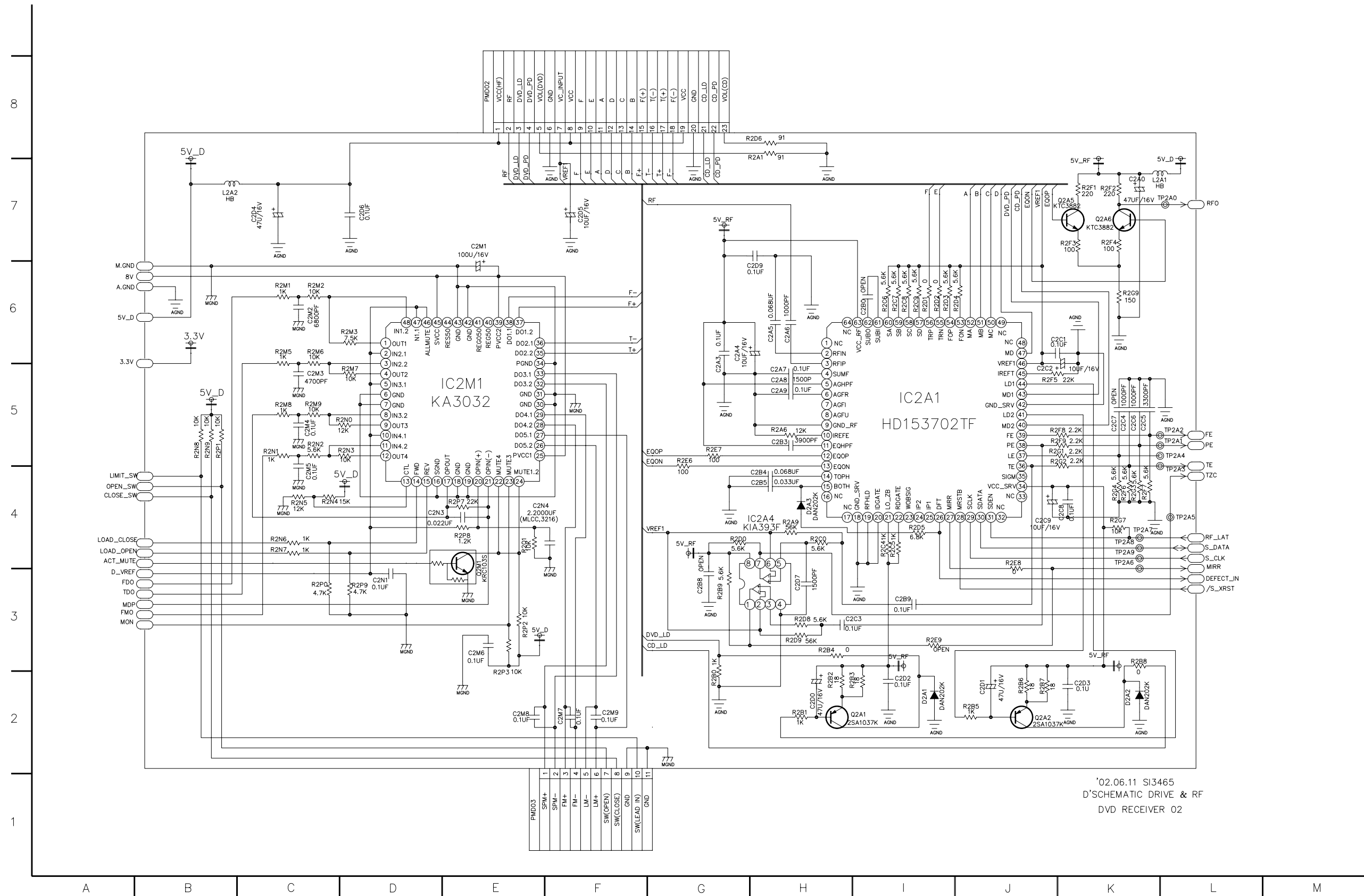


MEMO

A series of horizontal dotted lines for writing.

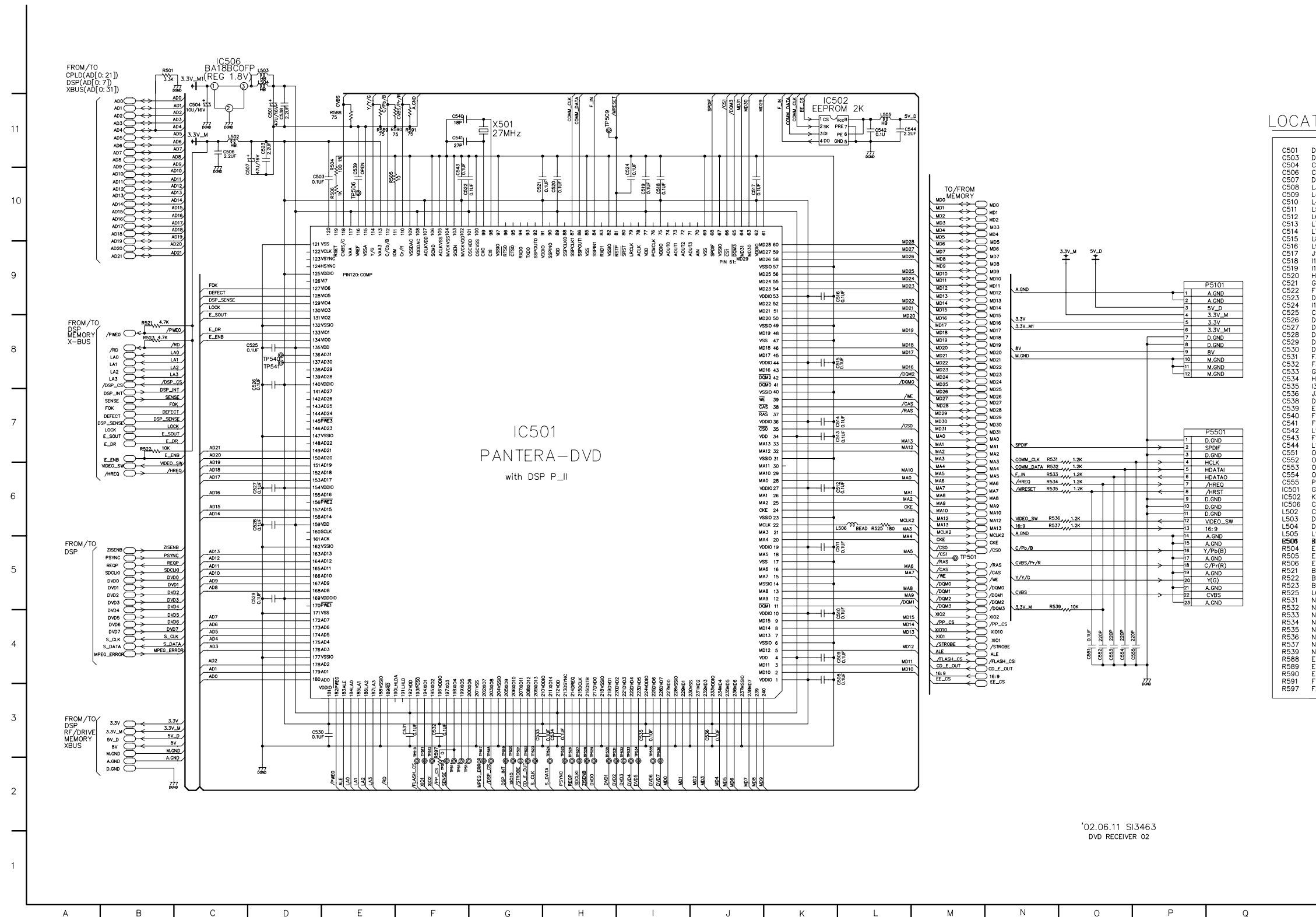
SCHEMATIC DIAGRAMS

• DRIVE & RF SCHEMATIC DIAGRAM



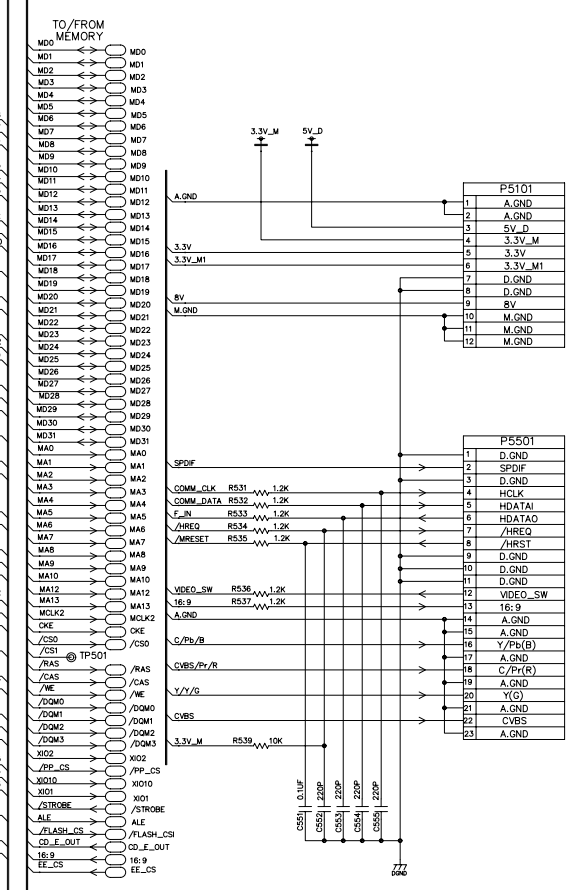
'02.06.11 SI3465
D'SCHEMATIC DRIVE & RF
DVD RECEIVER 02

MPEG SCHEMATIC DIAGRAM



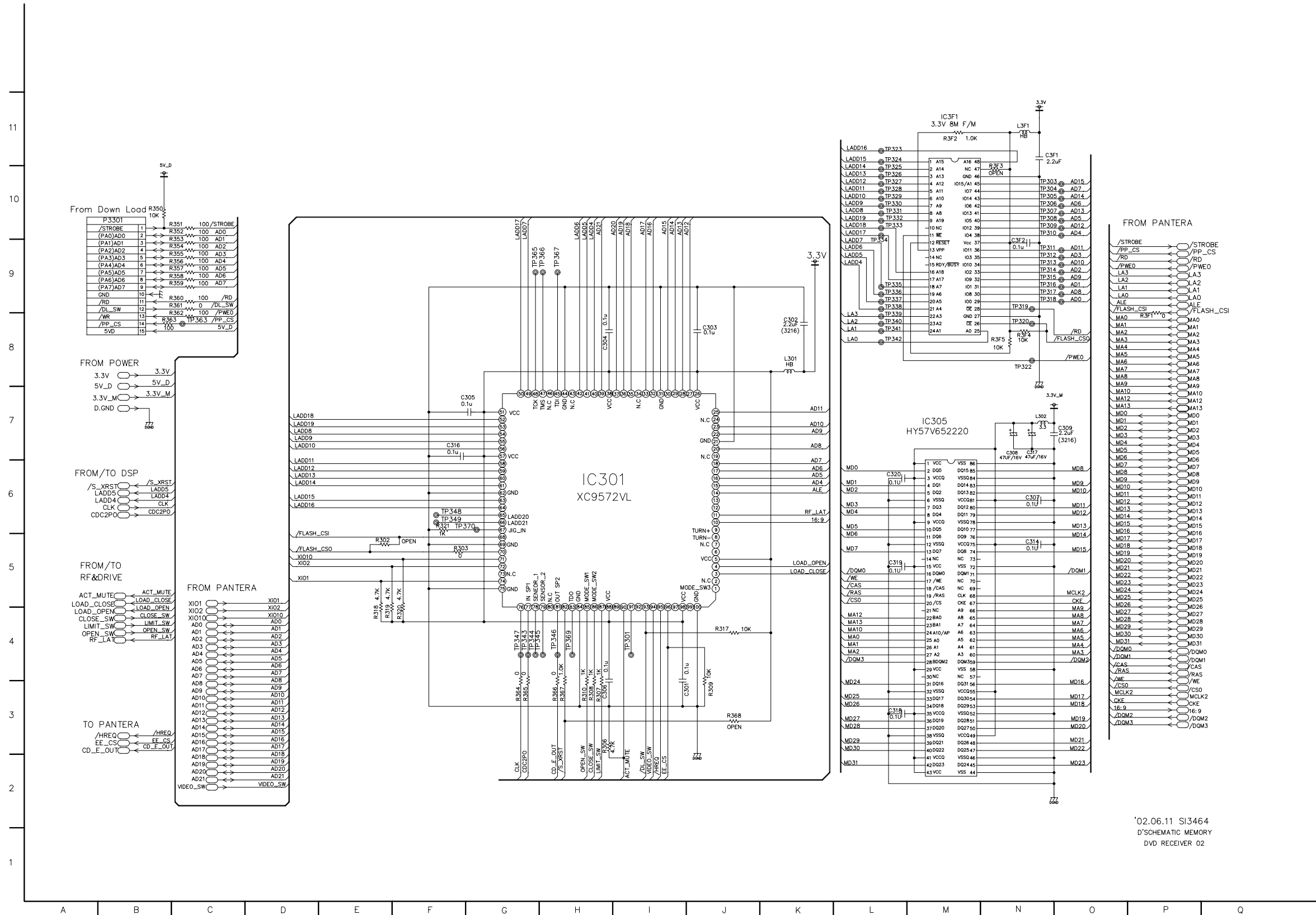
LOCATION GUIDE

C501	D11	TP501	M5
C503	D10	TP506	E10
C504	C11	TP509	H11
C506	C11	TP510	F3
C507	D10	TP511	F3
C508	L3	TP512	F3
C509	L4	TP513	F2
C510	L4	TP514	F2
C511	L5	TP515	F2
C512	L6	TP516	F2
C513	L7	TP517	G3
C514	L7	TP518	G3
C515	L8	TP519	G3
C516	L9	TP520	G3
C517	J10	TP521	G3
C518	I10	TP522	G3
C519	I10	TP523	G3
C520	H10	TP524	H3
C521	G10	TP525	H3
C522	F10	TP526	H3
C523	D11	TP527	H3
C524	I10	TP528	H3
C525	G3	TP529	H3
C526	O7	TP530	H3
C527	D6	TP531	H3
C528	D5	TP532	H3
C529	D5	TP533	I3
C530	D3	TP534	I3
C531	F3	TP535	I3
C532	F3	TP536	I3
C533	G3	TP540	DB
C534	H3	TP541	DB
C535	I3	X501	G11
C536	J3	X101	F2
C538	D5	X101	M4
C539	E10	X101	N4
C540	F10	X1010	G2
C541	F11	X1010	M4
C542	L11	X1010	N4
C543	F10	X102	F2
C544	L11	X102	M4
C551	O4	X102	N4
C552	O4		
C553	O4		
C554	O4		
C555	P4		
IC501	G7		
IC502	K11		
IC506	C12		
L502	C11		
L503	D12		
L504	D12		
L505	L11		
R500	B62		
R504	E10		
R505	E10		
R506	E10		
R521	B8		
R522	B7		
R523	BB		
R525	L6		
R531	N7		
R532	N6		
R533	N6		
R534	N6		
R535	N6		
R536	N6		
R537	N6		
R539	N5		
R588	E11		
R589	E11		
R590	E11		
R591	F11		
R597	F2		

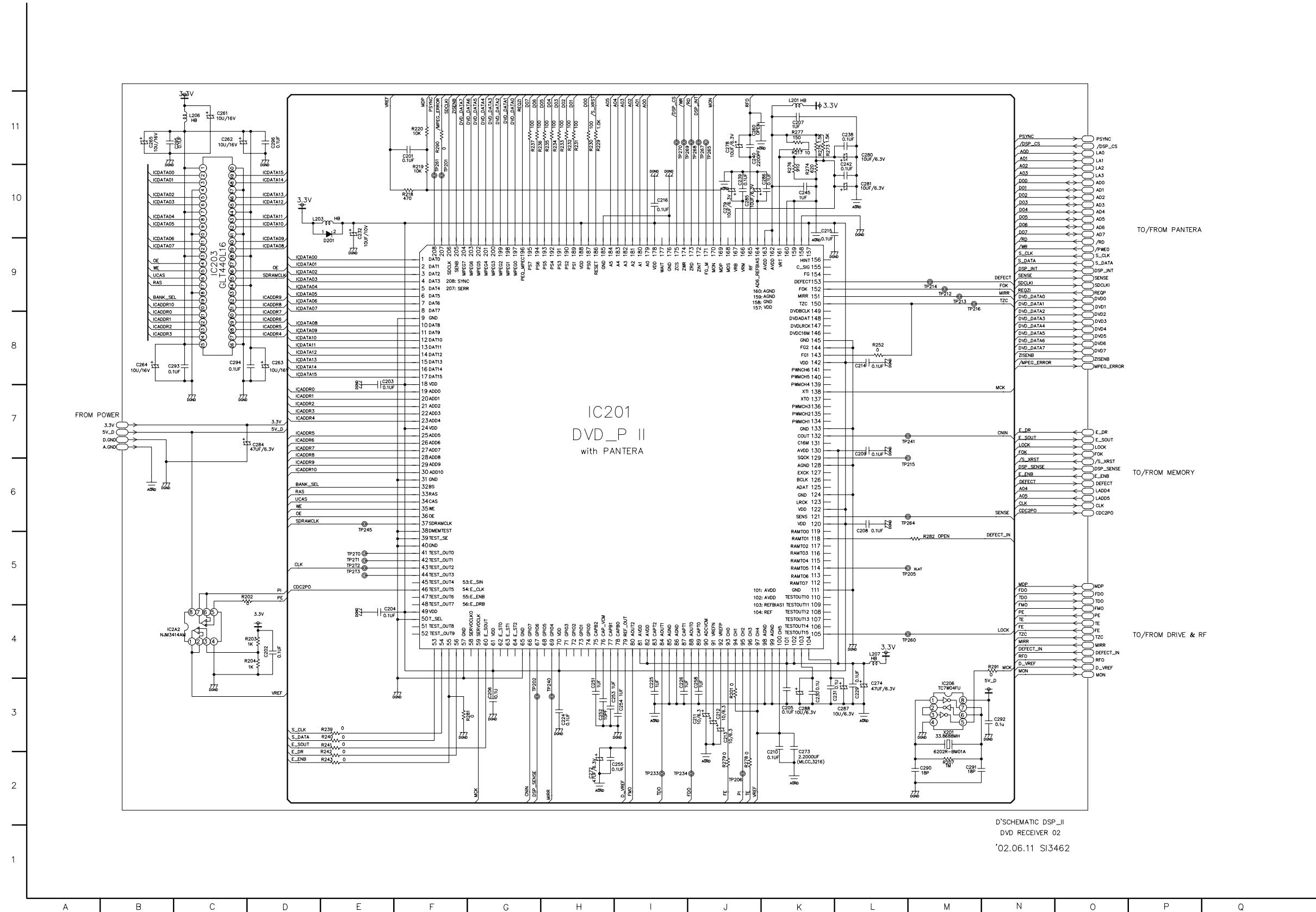


'02.06.11 SI3463
DVD RECEIVER 02

• μ-COM SCHEMATIC DIAGRAM

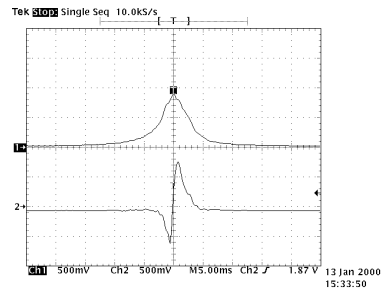


DVD DSP(DIGITAL SIGNAL PROCESSING) SCHEMATIC DIAGRAM

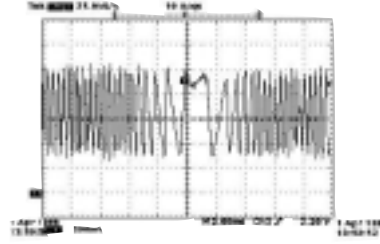


D'SCHEMATIC DSP_II
DVD RECEIVER 02
02.06.11 SI3462

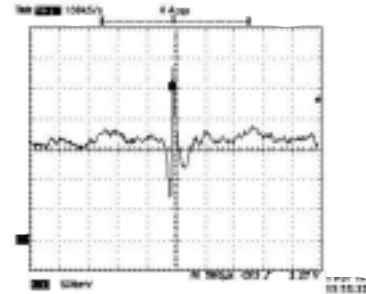
WAVEFORMS



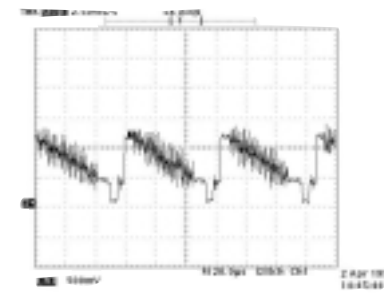
IC2A1 Pin 42, Focus Error
IC2A1 Pin 36, Pi



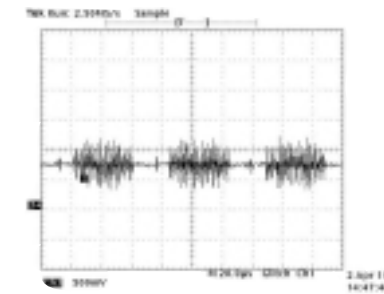
IC2A1 Pin 41
Tracking Error



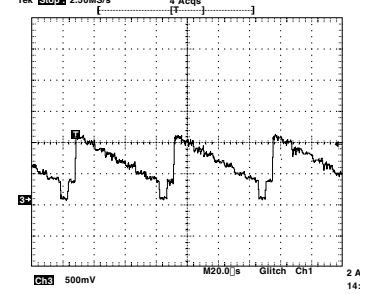
IC2A1 Pin 41
VBR TRACKING Error



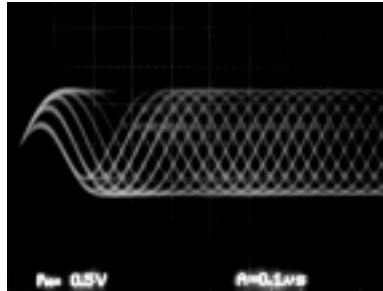
IC501 Pin 118, Composite



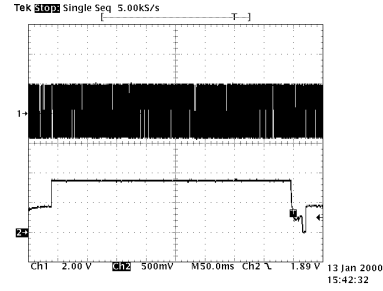
IC501 Pin 112, Chrominance
(Super video out Mode)



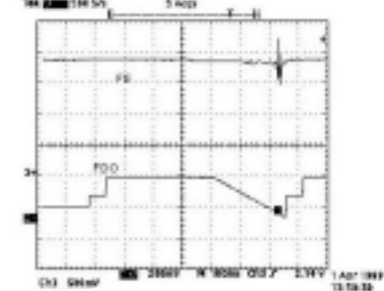
IC501 Pin 114, Luminance
(Super video out Mode)



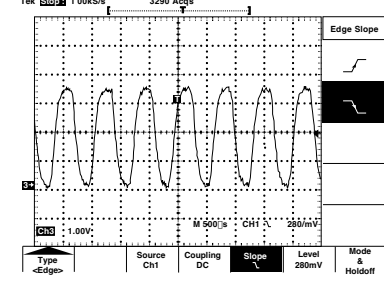
IC2A1 Pin 57
RF



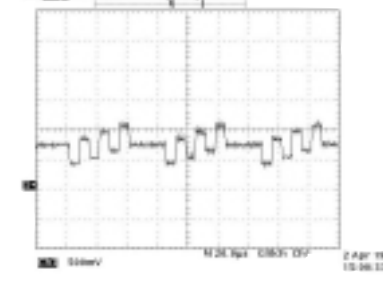
IC201, Pin 88, SLED Drive(FMO)
IC201, Pin 18 SLED FG



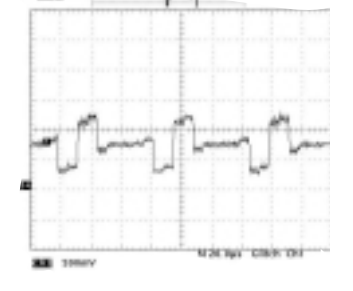
IC2A1 Pin 42, Focus Error(Focus Search)
IC2A1 Pin 83, Focus Drive(FDO)



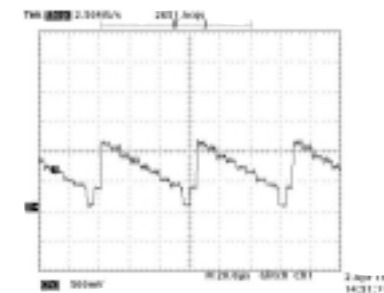
IC501 Pin 98,
MPEG Clock(27MHz)



IC501 Pin 114,
Component Pb



IC501 Pin 112,
Component Pr



IC501 PIN 118,
COMPONENT Y

PIN	IC901		IC451		IC401		IC454		IC453		IC452		IC402		IC801	
	STOP	PLAY	STOP	PLAY	STOP	PLAY	STOP	PLAY	STOP	PLAY	STOP	PLAY	STOP	PLAY	STOP	PLAY
1	0	0	0	0	2.98	2.98	5.51	5.51	5.41	5.42	5.49	0	5.47	5.47	1.83	1.81
2	5.1	5.05	3.15	3.15	3.26	3.26	5.51	5.51	5.41	5.42	5.49	5.51	5.47	5.47	0	0
3	0	0	3.15	3.15	0	0	5.51	5.51	5.41	5.41	5.49	5.51	5.47	5.47	1.83	1.81
4	5.14	5.14	3.15	3.14	1.57	0	0	0	0	0	0	0	0	0	0	0
5	0.48	0	3.15	3.15	1.58	1.58	5.51	5.51	5.41	5.41	5.49	5.51	5.47	5.47	0	0
6	0.48	0	3.15	3.15	1.3	0	5.51	5.51	5.41	5.42	5.49	5.51	5.47	5.47	4.59	4.57
7	5.17	5.17	3.15	3.15	0	0	5.51	5.51	5.41	5.41	5.49	0	5.47	5.47	1.84	1.82
8	2.22	2.21	2.43	2.42	3.24	3.24	11.95	11.95	11.95	11.95	11.95	11.95	11.95	11.95	0	0
9	2.35	2.35	2.48	2.46	0	0									1.84	1.82
10	0	0	2.43	2.42	3.2	3.19										
11	2.26	2.24	2.48	0	4.85	4.84										
12	2.46	2.45	0	0	2.31	0										
13	0	0	0	0	2.35	0										
14	5.17	5.16	0	0	2.35	0										
15	5.17	5.16	2.43	2.43	0	0										
16	5.1	5.06	2.47	3.14	0	0										
17	0	0	2.45	0	4.91	0										
18	0	0	0	0	2.34	2.34										
19	5.16	5.16	4.91	4.88	2.34	2.33										
20	5.14	5.14	0	0	0	0										
21	5.01	5.02	0	0												
22	0	0	0	0												
23	0	0	4.91	0												
24	0	0	0	0												
25	2.68	2.68	4.9	4.88												
26	5.17	5.17	0	0												
27	5.17	5.17	0	0												
28	4.77	4.87	0	0												
29	5.07	5.06	0	0												
30	21.58	18	4.91	4.88												
31	23.58	18	0	0												
32	23.6	23	4.91	4.88												
33	27.54	21.21	0	0												
34	23.6	17.18	0.36	0												
35	23.6	22.91	0	0												
36	21.6	19.14	3.24	3.23												
37	21.61	25.01	3.19	3.19												
38	23.65	23.06	2.93	3.92												
39	23.65	23.09	0	0												
40	23.57	23.08	0	0												
41	25.6	23.07	1.3	1.31												
42	25.6	25.03	1.48	1.47												
43	25.6	25.03	1.57	0												
44	25.6	23.07	1.58	1.58												
45	27.6	25.07	0	0												
46	27.6	21.16	3.15	3.15												
47	27.5	25.11	0	0												
48	27.5	24.76	0	0												
49	27.5	27.86	0	0												
50	27.5	26.88	0	0												
51	6.73	6.69	3.15	3.14												
52	25.7	25.13	0	0												
53	25.6	25.08														
54	25.6	25.16														
55	25.6	25.15														
56	25.6	25.08														
57	25.6	25.13														
58	27.7	27.08														
59	5.16	5.15														
60	5.16	5.16														
61	5.16	5.16														
62	5.16	5.16														
63	0	0														
64	0	0														

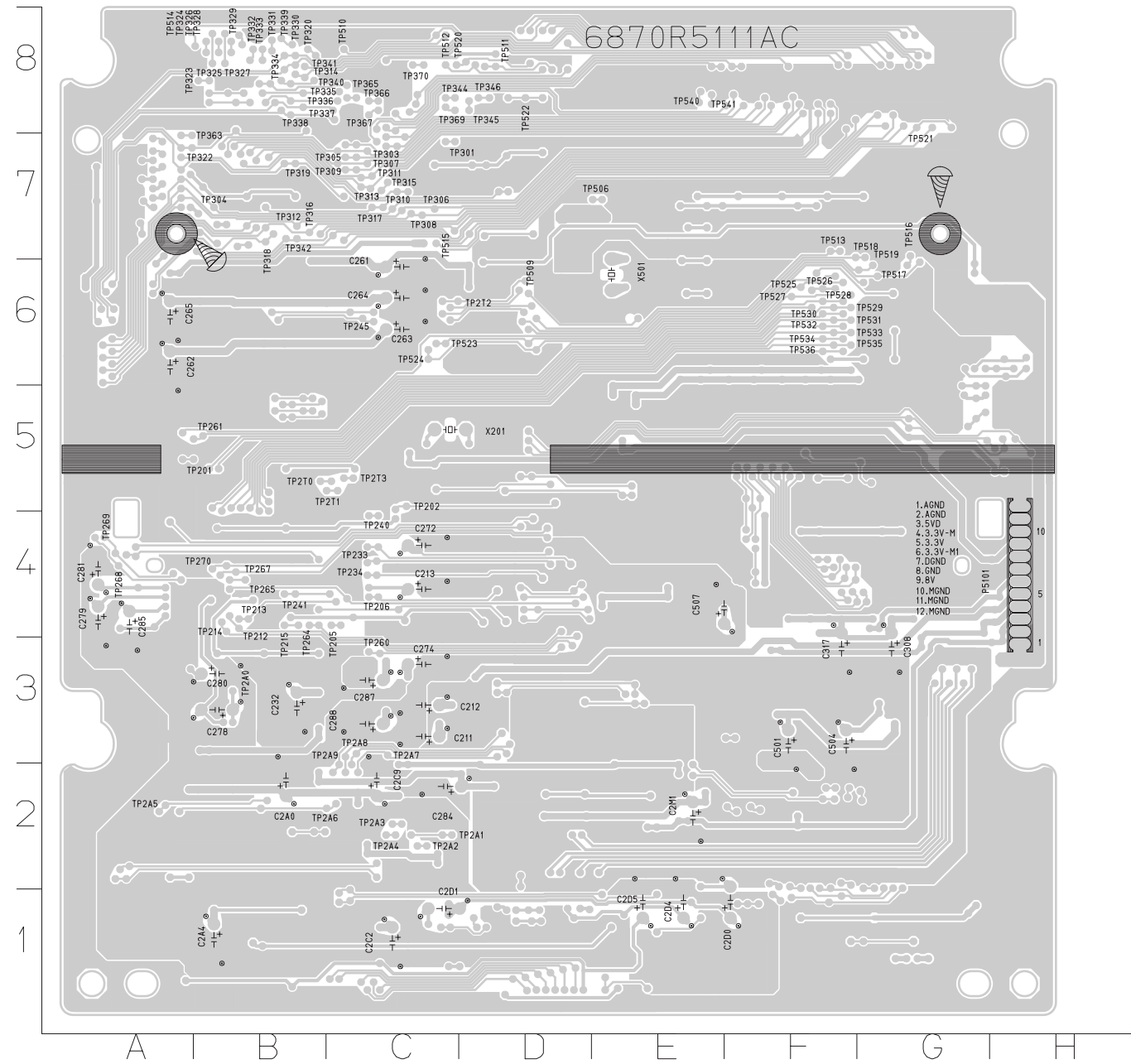
PIN	IC503		IC502		IC2A4		IC2A2		IC206		IC504		IC506	
	STOP	PLAY	STOP	PLAY	STOP	PLAY	STOP	PLAY	STOP	PLAY	STOP	PLAY	STOP	PLAY
1	0	0	0	0	4.87	4.39	1.57	1.56	2.63	2.64	2.11	2.19	(IN)0	0
2	3.1	3.1	5.03	5.03	2.3	2.31	1.57	1.56	2.74	0	5.05	5.05	(OUT)1.80	0
3	5.03	5.03	0	0	2.29	2.29	1.57	0	2.74	2.76	2.37	2.44		
4	0	0	5.1	5.1	0	0	0	0	0	0	0	0		
5	0	0	0	0	2.29	2.29	1.62	1.62	1.92	1.88				
6	0	0	5.04	5.04	2.3	2.31	1.62	1.62	2.28	0				
7	5.05	5.05	0	0	2.51	2.45	1.62	1.62	2.28	0				
8	0	3.15	5.03	5.04	5.02	5.02	5.04	4.99	5.04	0				
9	0	0												
10	0	0												
11	0	0.46												
12	0	0.15												
13	3.11	3.1												
14	0	0												
15	0	0												
16	0	0												
17	3.09	3.09												
18	5.15	5.14												
19	0	0												
20	5.15	5.15												

	Q2M1		Q2A1		Q2A6		Q2A5		Q2A2	
	STOP	PLAY	STOP	PLAY	STOP	PLAY	STOP	PLAY	STOP	PLAY
E	0	0	5.02	0	0	2.41	2.34	2.35	5.02	4.95
B	0	0	0	0	3.62	3.72	3.82	0	0	0
C	0	3.14	0	0	0	3.1	0	0	5.01	4.94

PIN	Q610		Q611		Q609		Q613		Q614		Q612	
	STOP	PLAY	STOP	PLAY	STOP	PLAY	STOP	PLAY	STOP	PLAY	STOP	PLAY
Emitter	0	0	0	0	0	0	0	0	0	0	0	0
Collector	0	0	0	0	0	0	0	0	0	0	0	0
Base	0.77	0.78	0.77	0.77	0.76	0.77	0.76	0.77	0.77	0.77	0.76	0.79

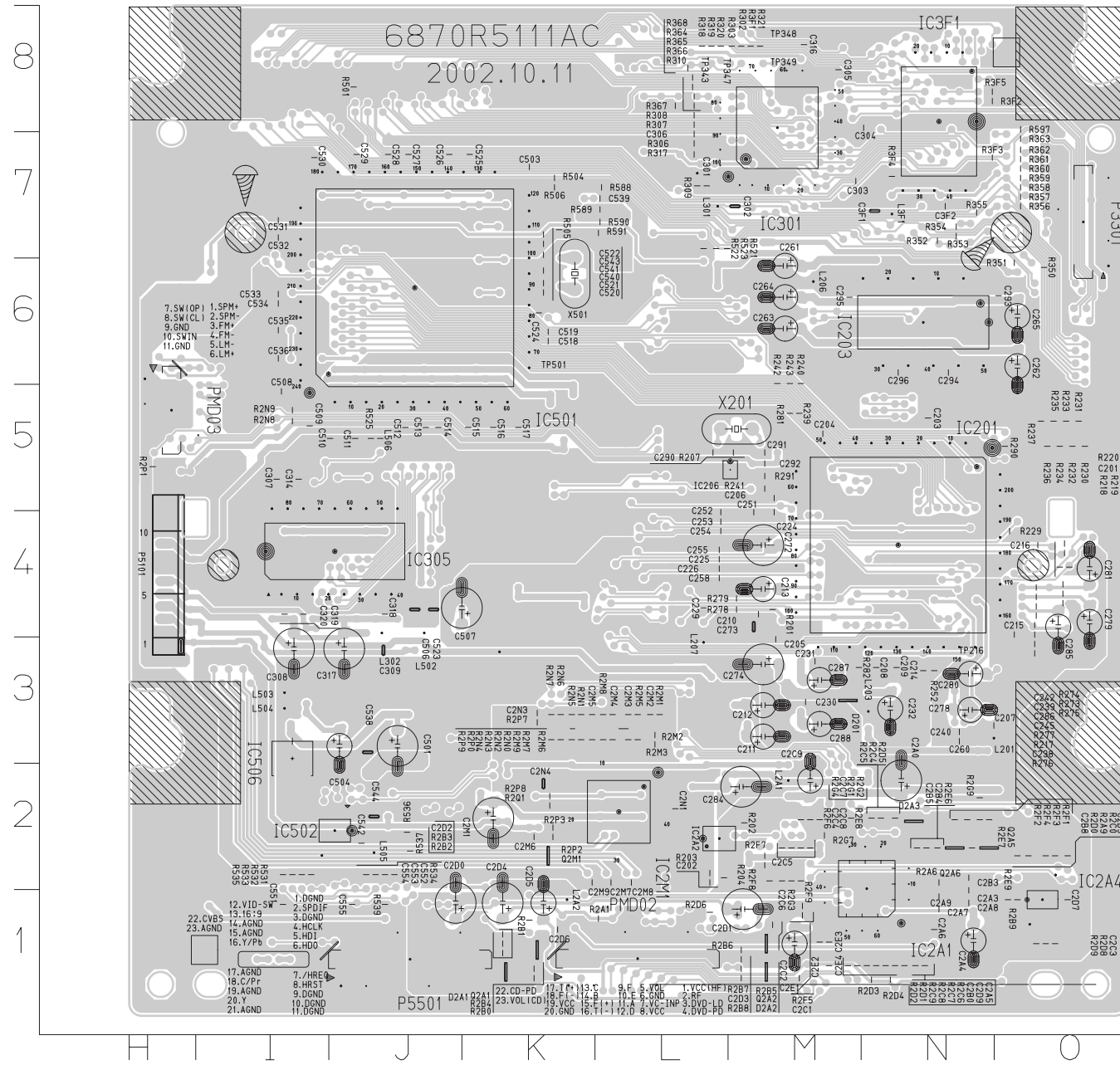
PRINTED CIRCUIT DIAGRAM

• DVD P.C. BOARD(SOLDER SIDE)



TP201	B5	TP306	C7	TP363	A7
TP202	C5	TP307	C7	TP365	C8
TP205	C4	TP308	C7	TP366	C8
TP206	C4	TP309	C7	TP367	C8
TP212	B4	TP310	C7	TP369	C8
TP213	B4	TP311	C7	TP370	C8
TP214	B4	TP312	B7	TP506	E7
TP215	B4	TP313	C7	TP509	D6
TP233	C4	TP314	B8	TP510	C8
TP234	C4	TP315	C7	TP511	D8
TP240	C4	TP316	B7	TP512	C8
TP241	B4	TP317	C7	TP513	F7
TP245	C6	TP318	B7	TP514	B8
TP260	C3	TP319	B7	TP515	C7
TP261	B5	TP320	B8	TP516	G6
TP264	B4	TP322	A7	TP517	G6
TP265	B4	TP323	B8	TP518	G7
TP267	B4	TP324	B8	TP519	G6
TP268	A4	TP325	B8	TP520	C8
TP269	A4	TP326	B8	TP521	G8
TP270	B4	TP327	B8	TP522	D8
TP2A0	B3	TP328	B8	TP523	C6
TP2A1	C2	TP329	B8	TP524	C6
TP2A2	C2	TP330	B8	TP525	F6
TP2A3	C2	TP331	B8	TP526	F6
TP2A4	C2	TP332	B8	TP527	F6
TP2A5	A2	TP333	B8	TP528	F6
TP2A6	C2	TP334	B8	TP529	F6
TP2A7	C3	TP335	B8	TP530	F6
TP2A8	C3	TP336	B8	TP531	F6
TP2A9	C3	TP337	B8	TP532	F6
TP2T0	B5	TP338	B8	TP533	F6
TP2T1	C5	TP339	B8	TP534	F6
TP2T2	C6	TP340	B8	TP535	F6
TP2T3	C5	TP341	B8	TP536	F6
TP301	C7	TP342	B7	TP540	E8
TP303	C7	TP344	C8	TP541	E8
TP304	B7	TP345	D8		
TP305	C7	TP346	D8		

• DVD P.C. BOARD(COMPOENT SIDE)

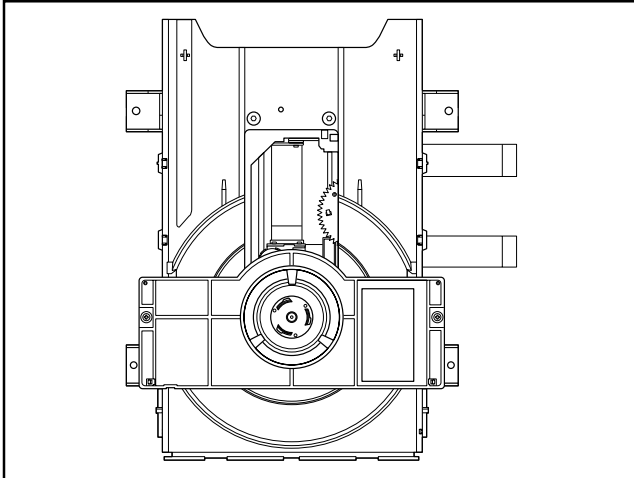


C201	04	C286	04	C2M4	L3	C526	J7	L502	J4	R291	M5	R2M1	L3	R361	07
C202	L2	C287	M3	C2M5	K3	C527	J7	L503	I3	R2A1	L1	R2M2	L3	R362	07
C203	N5	C288	M3	C2M6	K2	C528	J7	L504	I3	R2A6	N2	R2M3	L3	R363	07
C204	M5	C290	L5	C2M7	L2	C529	J7	L505	J2	R2A9	O2	R2M5	L3	R364	L8
C205	M3	C291	M5	C2M8	L2	C530	J7	L506	J5	R2B0	K1	R2M6	L3	R365	L8
C206	M5	C292	M5	C2M9	K2	C531	I7	P3301	O7	R2B1	K1	R2M7	L3	R366	L8
C207	N3	C293	O6	C2N1	L2	C532	I7	P5101	H3	R2B2	K1	R2M8	L3	R367	L8
C208	N3	C294	N6	C2N3	K3	C533	I6	P5501	J1	R2B3	K1	R2M9	L3	R368	L8
C209	N3	C295	M6	C2N4	K2	C534	I6	PMD02	L1	R2B4	K1	R2N0	L3	R3F1	M8
C210	M4	C296	N6	C301	L7	C535	I6	PMD03	H5	R2B5	M1	R2N1	K3	R3F2	N8
C211	M3	C2A0	N2	C302	M7	C536	I6	Q2A1	K1	R2B6	M1	R2N2	K3	R3F3	N7
C212	M3	C2A3	N1	C303	M7	C538	J3	Q2A2	M1	R2B7	M1	R2N3	K3	R3F4	N7
C213	M4	C2A4	N1	C304	N8	C539	L7	Q2A5	N2	R2B8	M1	R2N4	K3	R3F5	N8
C214	N3	C2A5	N1	C305	M8	C540	K6	Q2A6	N2	R2B9	O1	R2N5	K3	R501	J8
C215	04	C2A6	N1	C306	L7	C541	K7	Q2M1	K2	R2C0	O2	R2N6	K3	R504	K7
C216	04	C2A7	N1	C307	I5	C542	J2	R201	M4	R2C4	N2	R2N7	K3	R505	K7
C224	M4	C2A8	N1	C308	I3	C543	K7	R202	M2	R2C5	N2	R2N8	I5	R506	K7
C225	L4	C2A9	N1	C309	J3	C544	J2	R203	L2	R2C6	N1	R2N9	I5	R521	L7
C226	L4	C2B0	N1	C314	I5	C551	I1	R204	L2	R2C7	N1	R2P0	K3	R522	L7
C229	L4	C2B3	N2	C316	M8	C552	J2	R207	M5	R2C8	N1	R2P1	H5	R523	L7
C230	M3	C2B4	N2	C317	J3	C553	J2	R217	O4	R2C9	N1	R2P2	K2	R525	J5
C231	M3	C2B5	N2	C318	J4	C554	J2	R218	O4	R2D0	O2	R2P3	K2	R531	I2
C232	N3	C2B8	O2	C319	I4	C555	J1	R219	O4	R2D1	M1	R2P7	K3	R532	I2
C238	O3	C2B9	O2	C320	I4	D201	M3	R220	O4	R2D2	M1	R2P8	K2	R533	I2
C239	O4	C2C1	M1	C3F1	N7	D2A1	K1	R229	O4	R2D3	N1	R2P9	K3	R534	J2
C240	N3	C2C2	M1	C3F2	N7	D2A2	M1	R230	O5	R2D4	N1	R2Q1	K2	R535	I2
C242	O4	C2C3	O1	C501	J3	D2A3	N2	R231	O5	R2D5	N2	R302	M8	R536	J2
C245	O4	C2C4	M2	C503	K7	IC201	N4	R232	O5	R2D6	L1	R303	M8	R537	J2
C251	M4	C2C5	M2	C504	J3	IC203	N6	R233	O5	R2D8	O1	R306	L7	R539	J1
C252	L4	C2C6	M2	C506	J4	IC206	M5	R234	O5	R2D9	O1	R307	L8	R588	L7
C253	L4	C2C7	M2	C507	J4	IC2A1	N2	R235	O5	R2E6	N2	R308	L8	R589	L7
C254	L4	C2C8	M2	C508	I5	IC2A2	L2	R236	O5	R2E7	N2	R309	L7	R590	L7
C255	L4	C2C9	M2	C509	I5	IC2A4	O1	R237	O5	R2E8	M2	R310	L8	R591	L7
C258	L4	C2D0	J1	C510	J5	IC2M1	L2	R239	M5	R2E9	O1	R317	L7	R597	O8
C260	N3	C2D1	M1	C511	J5	IC301	M8	R240	M6	R2F1	N2	R318	L8	TP216	N3
C261	M6	C2D2	K1	C512	J5	IC305	J4	R241	M5	R2F2	N2	R319	L8	TP343	L8
C262	O6	C2D3	M1	C513	J5	IC3F1	N8	R242	M6	R2F3	N2	R320	L8	TP347	L8
C263	M6	C2D4	K1	C514	J5	IC501	J6	R243	M6	R2F4	N2	R321	M8	TP348	M8
C264	M6	C2D5	K1	C515	K5	IC502	J2	R252	N3	R2F5	M1	R350	O6	TP349	M8
C265	O6	C2D6	K1	C516	K5	IC506	I3	R273	O4	R2F6	M2	R351	O6	TP501	K6
C272	M4	C2D7	O1	C517	K5	L201	N3	R274	O4	R2F7	M2	R352	N7	X201	M5
C273	M4	C2D9	N1	C518	K6	L203	N3	R275	O4	R2F8	M2	R353	N7	X501	K6
C274	M3	C2E1	M1	C519	K6	L206	M6	R276	O3	R2F9	M2	R354	N7		
C278	N3	C2E2	M1	C520	K6	L207	L3	R277	O4	R2G1	M2	R355	N7		
C279	O4	C2E3	M1	C521	K6	L2A1	M2	R278	M4	R2G2	M2	R356	O7		
C280	N3	C2E4	M1	C522	K7	L2A2	K1	R279	M4	R2G3	M2	R357	O7		
C281	O4	C2M1	K2	C523	J4	L301	L7	R281	M5	R2G4	M2	R358	O7		
C284	M2	C2M2	L3	C524	K6	L302	J4	R282	M3	R2G7	M2	R359	O7		
C285	O4	C2M3	L3	C525	K7	L3F1	N7	R290	O5	R2G9	N2	R360	O7		

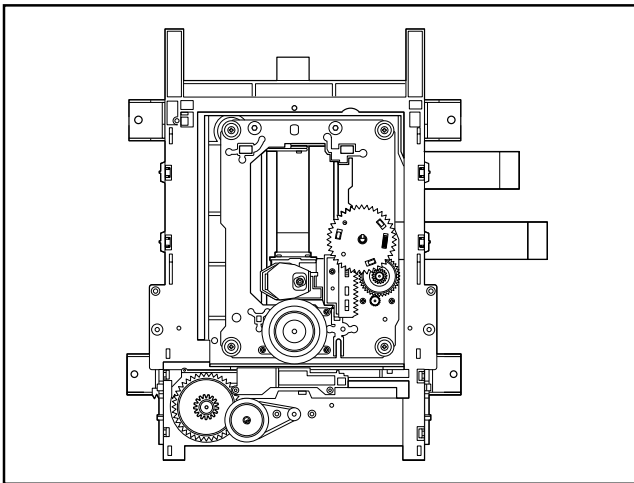
SECTION 4. MECHANISM

■ DECK MECHANISM PARTS LOCKATION

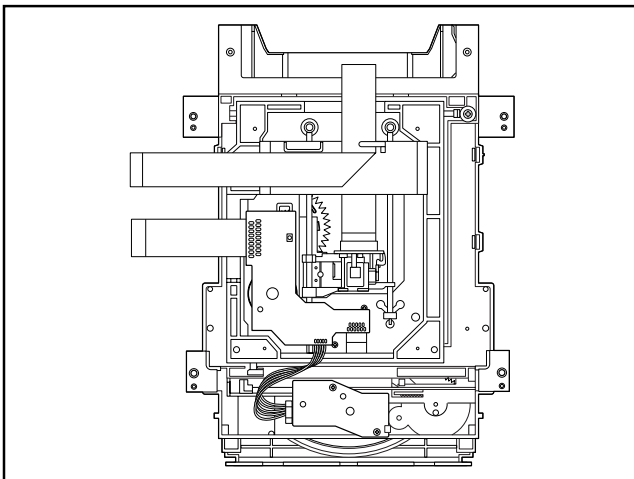
• Top View(With Tray)



• Top View(Without Tray)



• Bottom View



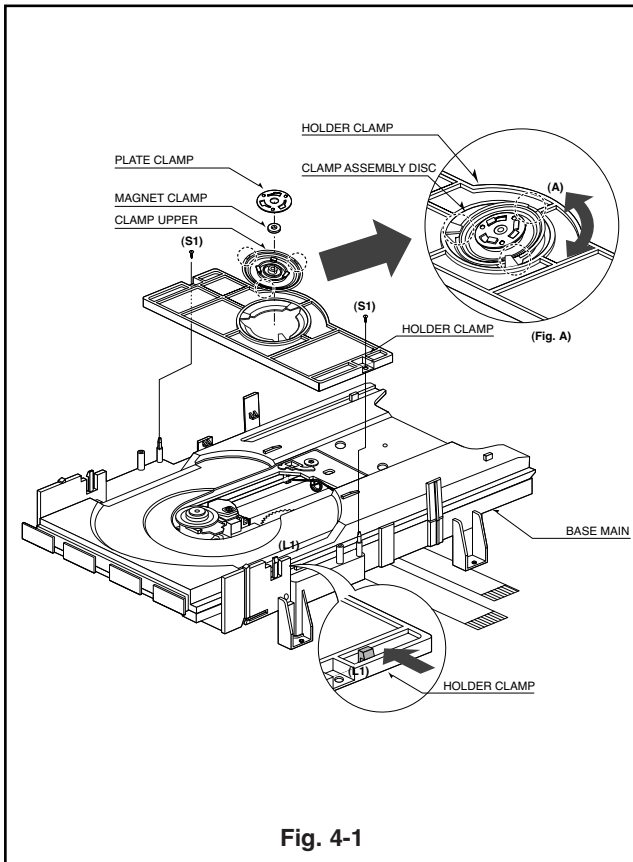
Procedure Starting No.	Parts	Fixing Type	Disassembly	Figure
1	Holder Clamp	2 Screws, 2 Locking Tabs		4-1
1	2 Clamp Assembly Disc			4-1
1, 2	3 Plate Clamp			4-1
1, 2, 3	4 Magnet Clamp			4-1
1, 2, 3, 4	5 Clamp Upper			4-1
1	6 Tray Disc			4-2
1, 6	7 Base Assembly Sled			4-3
1, 2, 6	8 Gear Assembly Feed	4 Screws, 1 Connector 1 Locking Tabs		4-3
1, 2, 6, 8	9 Gear Middle			4-3
1, 2, 6, 8, 9	10 Gear Assembly Rack	1 Screw		4-3
1, 2, 7	11 Rubber Rear			4-3
1, 2, 7	12 Frame Assembly Up/Down	1 Screw	Bottom	4-4
1, 2	13 Belt Loading	1 Locking Tab		4-4
1, 2, 13	14 Gear Pulley			4-4
1, 2, 13, 14	15 Gear Loading	1 Locking Tab		4-4
1, 2, 7, 12, 13, 14	16 Guide Up/Down			4-4
1, 2, 13	17 PWB Assembly Loading	1 Locking Tab 1 Hook 2Screw	Bottom	4-4
1, 2, 7, 12, 13, 14, 15, 16, 17	18 Base Main	2 Locking Tabs		4-4

Note

When reassembling, perform the procedure in reverse order.

The "Bottom" on Disassembly column of above Table indicates the part should be disassembled at the Bottom side.

■ DECK MECHANISM DISASSEMBLY



1. Holder Clamp (Fig. 4-1)

- 1) Release 2 Screws(S1).
- 2) Unhook 2 Locking Tabs(L1).
- 3) Lift up the Holder Clamp and then separate it from the Base Main.

1-1. Clamp Assembly Disc

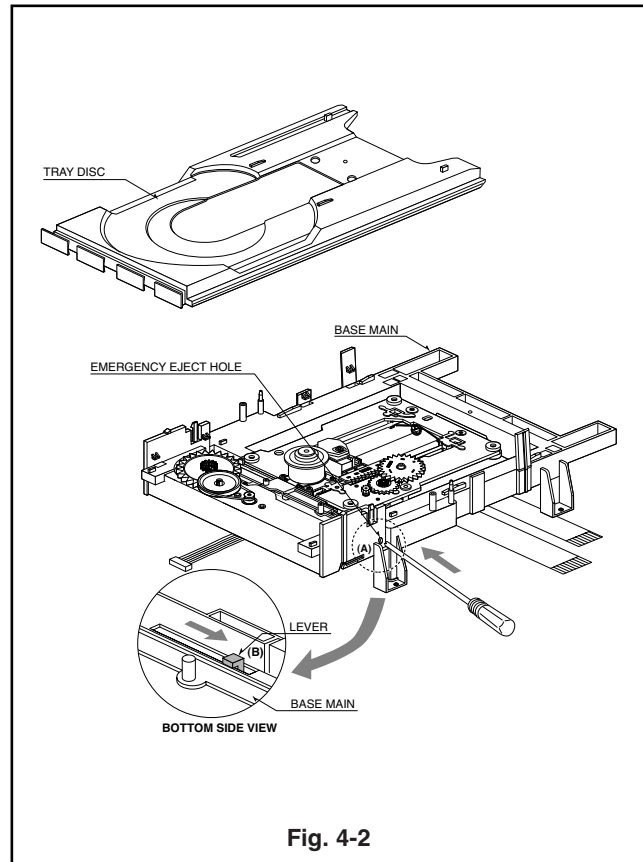
- 1) Place the Clamp Assembly Disc as Fig. (A)
- 2) Lift up the Clamp Assembly Disc in direction of arrow(A).
- 3) Separate the Clamp Assembly Disc from the Holder Clamp.

1-1-1. Plate Clamp

- 1) Turn the Plate Clamp to counterclockwise direction and then lift up the Plate Clamp.

1-1-2. Magnet Clamp

1-1-3. Clamp Upper



2. Tray Disc (Fig. 4-2)

- 1) Insert and push a Driver in the emergency eject hole(A) at the right side, or put the Driver on the Lever(B) of the Gear Emergency and pull the Lever(B) in direction of arrow so that the Tray Disc is ejected about 15~20mm.
- 2) Pull the Tray Disc until it is separated from the Base Main completely.

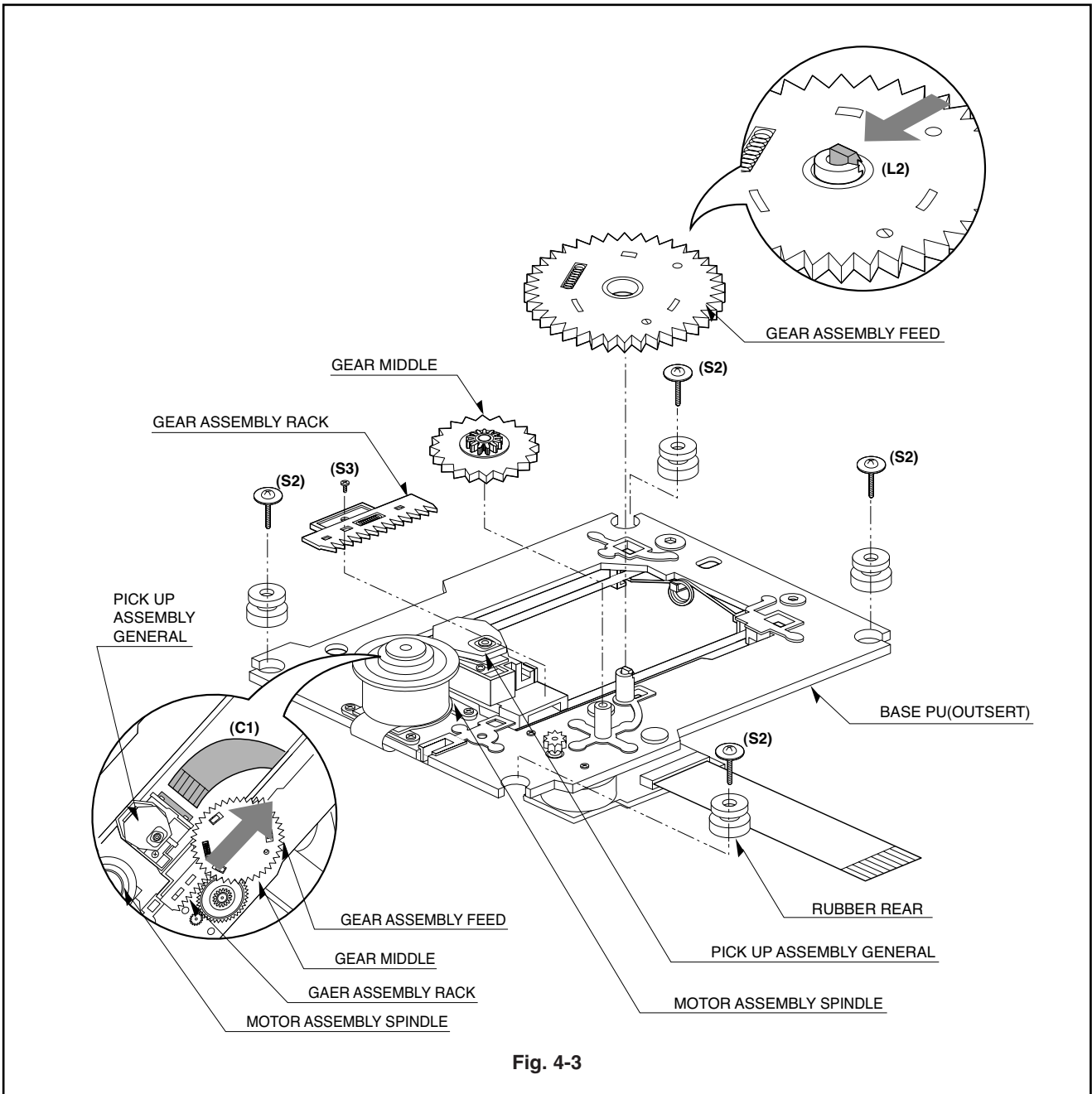


Fig. 4-3

3. Base Assembly Sled (Fig. 4-3)

- 1) Release 4 Screw(S2).
- 2) Disconnect the FFC Connector(C1)

3-1. Gear Assembly Feed

- 1) Unhook the Locking Tab(L2) in direction of arrow.

3-2. Gear Middle

3-3. Gear Assembly Rack

- 1) Release the Scerw(S3)

4. Rubber Rear (Fig. 4-3)

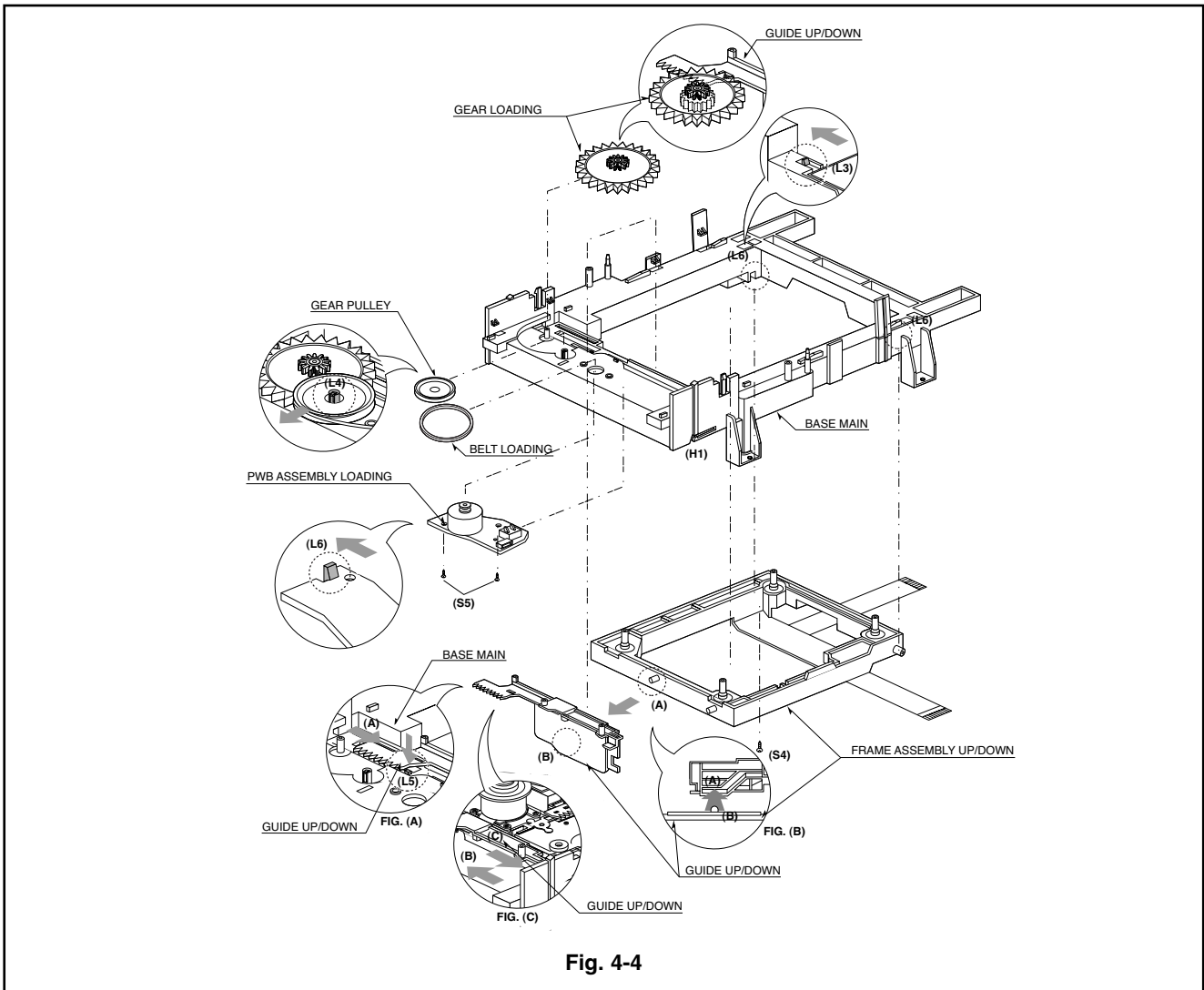


Fig. 4-4

5. Frame Assembly Up/Down

Note

Put the Base Main face down(Bottom Side)

- 1) Release the Screw(S4)
- 2) Unlock the Locking Tab(L3) in direction of arrow and then lift up the Frame Assembly Up/Down to separate it from the Base Main.

Note

- When reassembling move the Guide Up/Down in direction of arrow(C) until it is positioned as Fig.(C).
- When reassembling insert (A) portion of the Frame Assembly Up/Down in the (B) portion of the Guide Up/Down as Fig.(B)

6. Belt Loading(Fig. 4-4)

Note

Put the Base Assembly Main on original position(Top Side)

7. Gear pulley (Fig. 4-4)

- 1) Unlock the Locking Tab(L4) in direction of arrow(B) and then separate the Gear Pulley from the Base Main.

8. Gear Loading (Fig. 4-4)

9. Guide Up/Down (Fig. 4-4)

- 1) Move the Guide Up/Down in direction of arrow(A) as Fig.(A)
- 2) Push the Locking Tab(L5) down and then lift up the Guide Up/Down to separate it from the Base Main.

Note

When reassembling place the Guide Up/Down as Fig.(C) and move it in direction arrow(B) until it is locked by the Locking Tab(L5). And confirm the Guide Up/Down as Fig.(A)

10. PWB Assembly Loading

Note

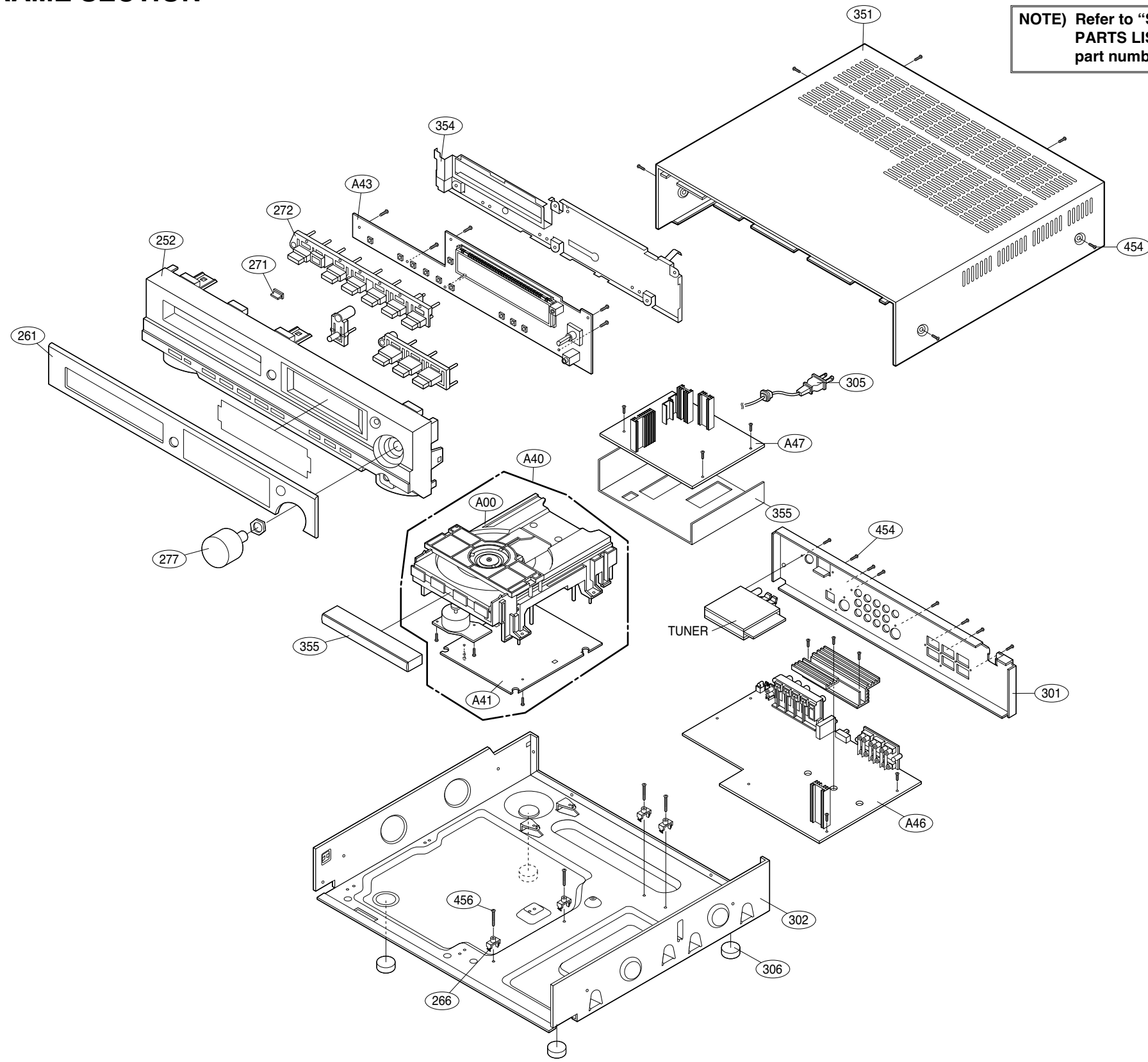
Put the Base Main face down(Bottom Side)

- 1) Release 2 Screws(S5)
- 2) Unhook the Loading Motor Connector (C2) from the Hook (H1) on the Base Main.
- 3) Unlock 2 Locking Tabs(L6) and separate the PWB Assembly Loading from the Base Main.

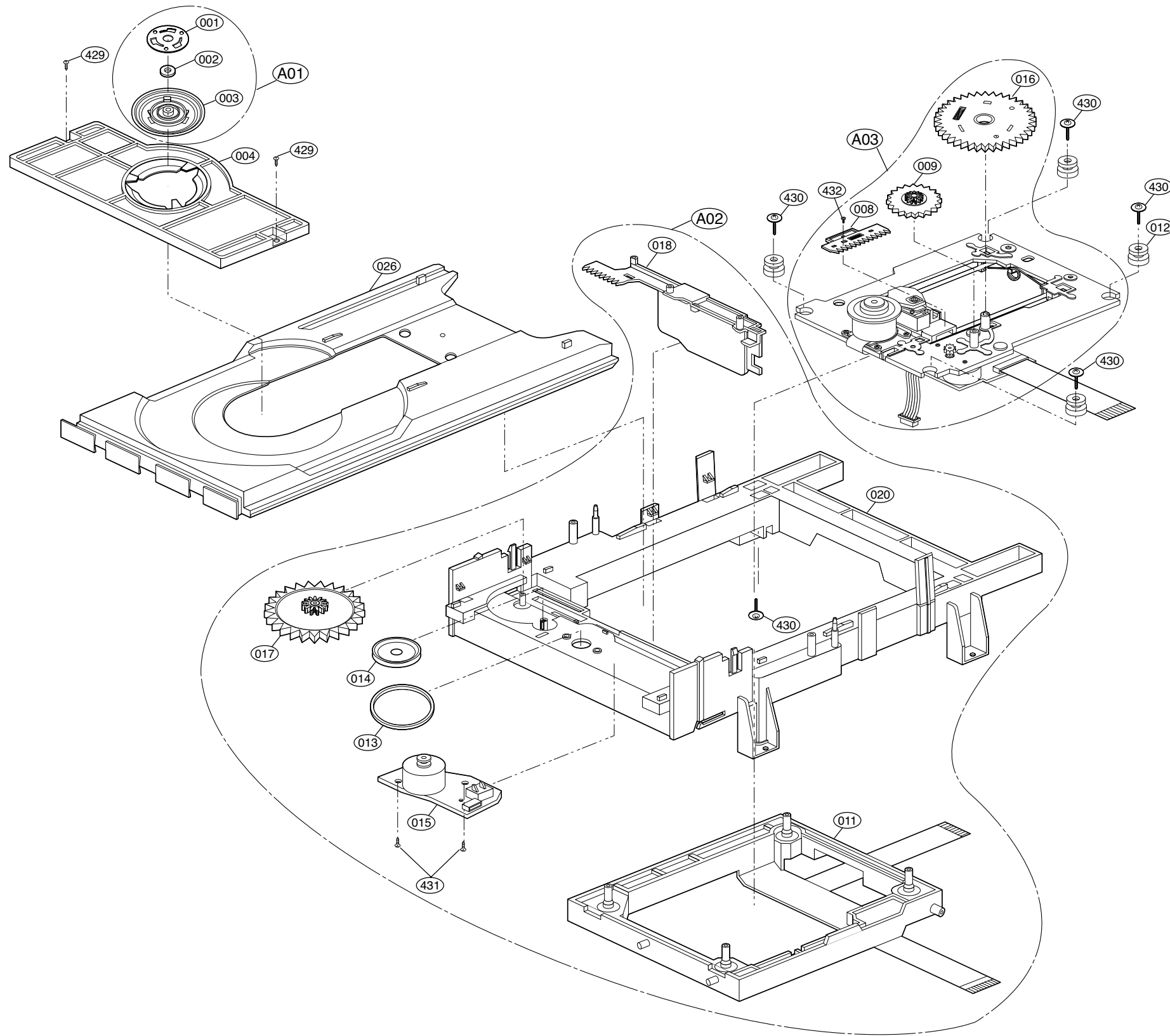
11. Base Main(Fig. 4-4)

SECTION 5. EXPLODED VIEWS

• CABINET AND MAIN FRAME SECTION



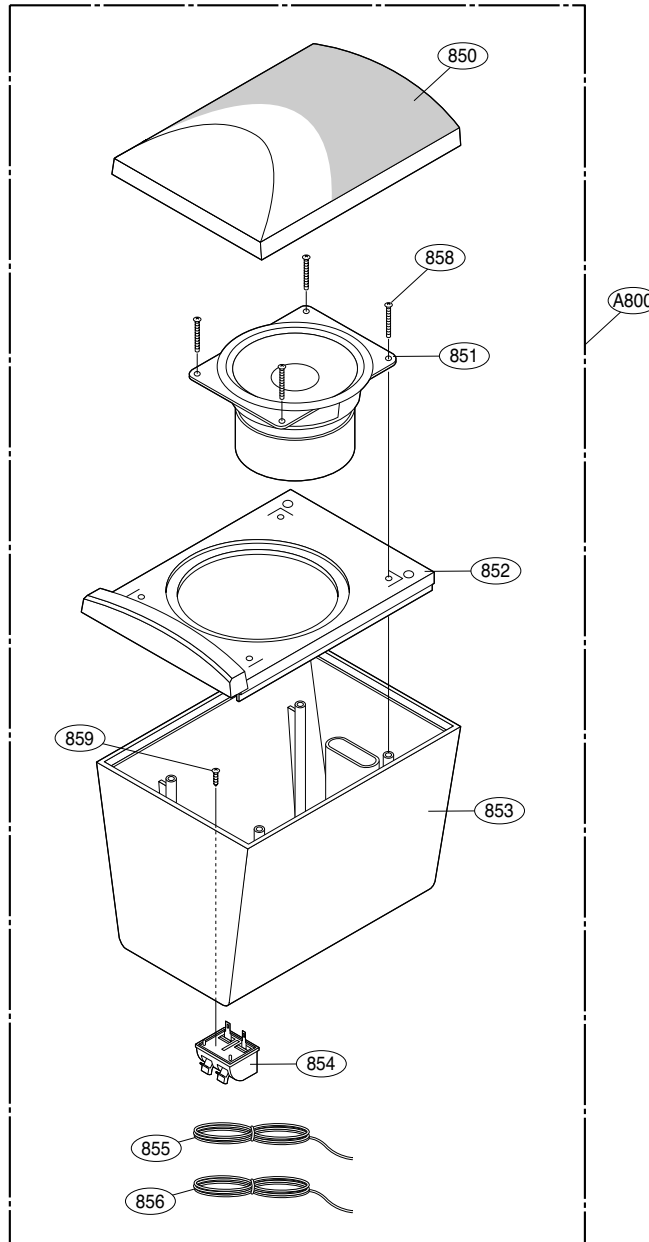
• Deck Mechanism Exploded View



LOCA.NO.	PART NO	DESCRIPTION	SPECIFICATION
A00	6721RJ0354A	DECK ASSEMBLY,VIDEO	DP-5RM MULTI-HZ
A01	4861R-0006B	CLAMP ASSEMBLY	DISC(DP2)-SH
A02	3041R-0057A	BASE ASSEMBLY	MAIN(DP-4R MULTI)-HZ
A03	3041R-D001A	BASE ASSEMBLY	DP5 MULTI (SLED)- HZ
001	3300R-0547A	PLATE	CLAMP
002	5016H-1016B	MAGNET	CLAMP(LDM-R608,10*5,1*1.5T)
003	4860R-0006A	CLAMP	UPPER
004	4930R-0171A	HOLDER	CLAMP
008	4470R-0047A	GEAR	ASSY RACK
009	4470R-0053A	GEAR	MIDDLE
011	3210R-0058A	FRAME	UP/D (MULTI)
012	5040R-0047B	RUBBER	DAMPER(E2,5040H-1054A),CHUNPOO
012A	5040R-0047D	RUBBER	DAMPER(HARDNESS=30),DARKGREEN
013	4400R-0006A	BELT	LOADING
014	4470R-0055A	GEAR	PULLEY
015	6871R-4415E	PWB(PCB) ASSEMBLY,TOTAL	LOADING DP-4R MULTI HZ
016	4470R-0050A	GEAR	ASSY FEED
017	4470R-0056A	GEAR	LOADING
018	4974R-0023A	GUIDE	UP/DOWN
020	3040R-0076A	BASE	MAIN(DP-5RM MULTI)
026	3390R-0012A	TRAY	DISC(DP-5RM MULTI)
429	1SZZR-0012A	SCREW,	B-TITE
430	1SZZH-1003A	SCREW,	+ D2.0 6MM SWRCH16A/NIY 4.5MM
431	1SZZH-1007B	SCREW,DRAWING	+ D2.0 6MM SWRCH16A/ZNBK 4MM 1
432	1SZZR-0011A	SCREW,	MACHINE

SECTION 6. SPEAKER PART

MODEL: FE-3620TE

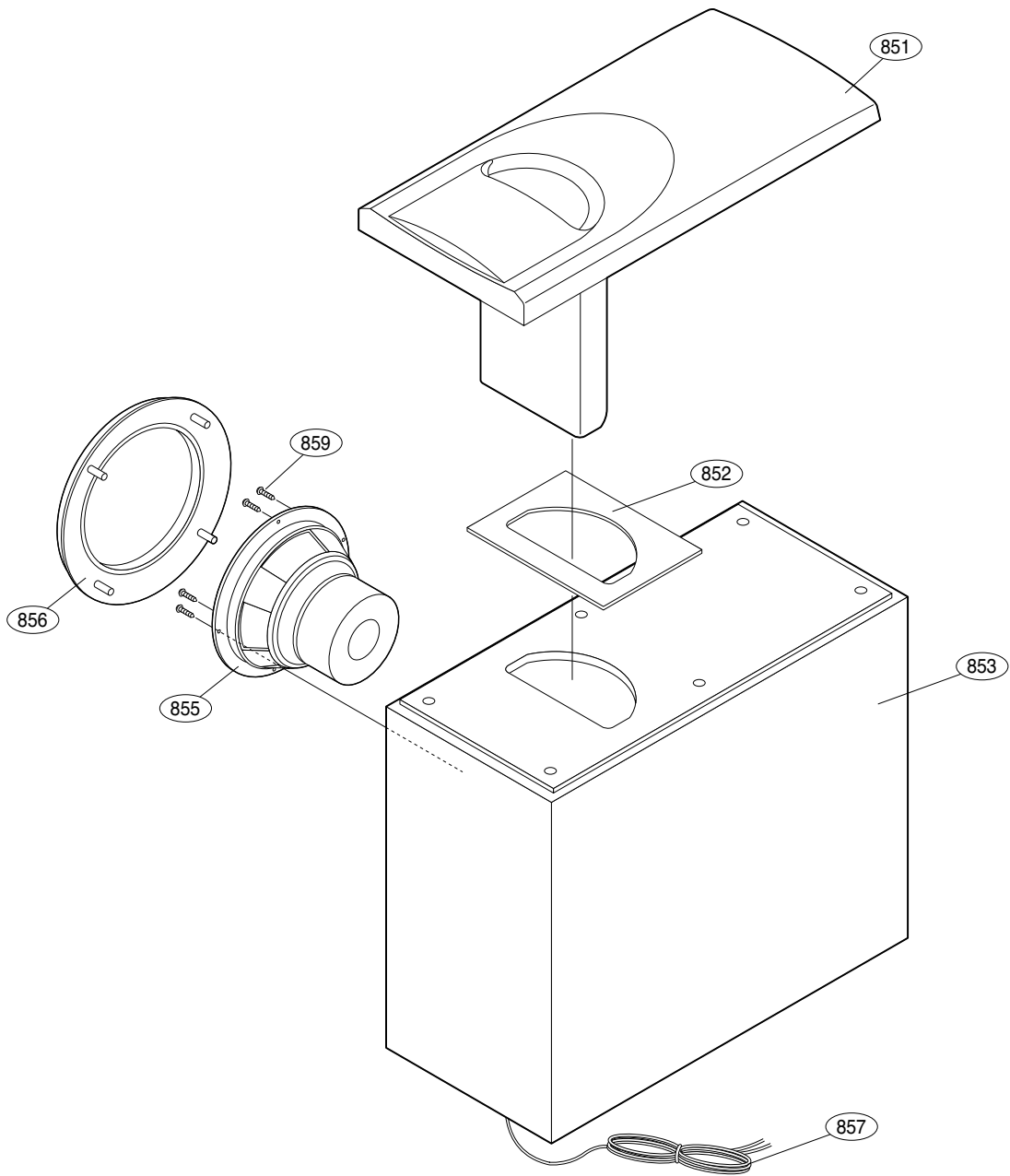


RUN DATE : 13.FEBRUARY.2003

LOCA.NO.	PART NO.	DESCRIPTON	SPECIFICATION	REMARKS
850	3701RM0022A	NET ASSEMBLY	ASSY FE-3620TE STANDARD	
851	6400RMSC02B	SPEAKER,FULLRANGE	MSF-30SB30L-1 SAMMI FULL-RANGE	
852	3720RMF026A	PANEL,FRONT	FRONT FE-3620TE STANDARD	
853	3110RM0009A	CASE	REAR FE-3620TE STANDARD	
854	6871RU4116B	PWB(PCB) ASSEMBLY,SUBSET(AUDIO	FE-3620TE 2P NEW TERMINAL 150M	
855	6871RU4117E	PWB(PCB) ASSEMBLY,SUBSET(AUDIO	FE-3620TE HOUSING +0.16 11C 5M	
856	6871RU4117F	PWB(PCB) ASSEMBLY,SUBSET(AUDIO	FE-3620TE HOUSING +0.16 11C 10	
857	3806RM0006B	DECO	FE-3620TE AIR PLATE	
858	353M025U	SCREW,DRAWING	+ 2 D3.0 L27.0 MSWR3/FZB	
859	353M025G	SCREW	TAPTITE, 3X10 FZMY	
A800	6401RM0001A	SPEAKER ASSEMBLY	CW-165B30L-1 SAMMI FE-3620TE S	

SECTION 6. SPEAKER PART

MODEL: FE-3620WE



RUN DATE : 13.FEBRUARY.2003

LOCA.NO.	PART NO.	DESCRIPTON	SPECIFICATION	REMARKS
851	3720RMF027A	PANEL,FRONT	FRONT FE-3620WE STANDARD	
852	4766RM0006B	FELT	DUCT FE-3620WE 320X10X1T BLACK	
853	3091RMW010G	CABINET ASSEMBLY	ASSY,FE-3620WE BF/BB E-1 9T C	
855	6400RMSJ02B	SPEAKER,WOOFER	CW-165B30L-1 SAMMI WOOFER 3620	
856	3701RM0005C	NET ASSEMBLY	ASSY, FE-3620WE STANDARD	
857	6871RU3091D	PWB(PCB) ASSEMBLY,SUBSET(AUDIO	FE-3620WE HOUSING +AWG 24 2.5M	
859	353M050C	SCREW	BH 3.5X16 FBK	