

*TR OLD NEW NO LIST

polarity	OLD NO	NEW NO	R1	R2
NPN	KRC1203	KRC103M	22K	22K
	KRC1210	KRC110M	4.7K	-
	KRC111M	KRC111M	10K	-
PNP	KRA2202	KRA102M	10K	10K
	KRA2204	KRA104M	47K	47K

*TR OLD NEW NO LIST

OLD NO	NEW NO
KTA1015	KTA1266
KTC1815	KTC3198
KTC1959	KTC3202
KTC7321MBL	KTC3198TMBL
KTBB34	KTBB98
KTC2236A	KTC3205
KTD2058	KTD2012
KTA966A	KTA1273

IC200 TDA7313 FUNCTION

FUN1	FUN2	FUNCTION
L	H	TUNER
H	H	CD
H	L	TAPE

IC300 LA4620

IC240 BA3930

POWER TRANS PART

DECK MECHA

OPTION

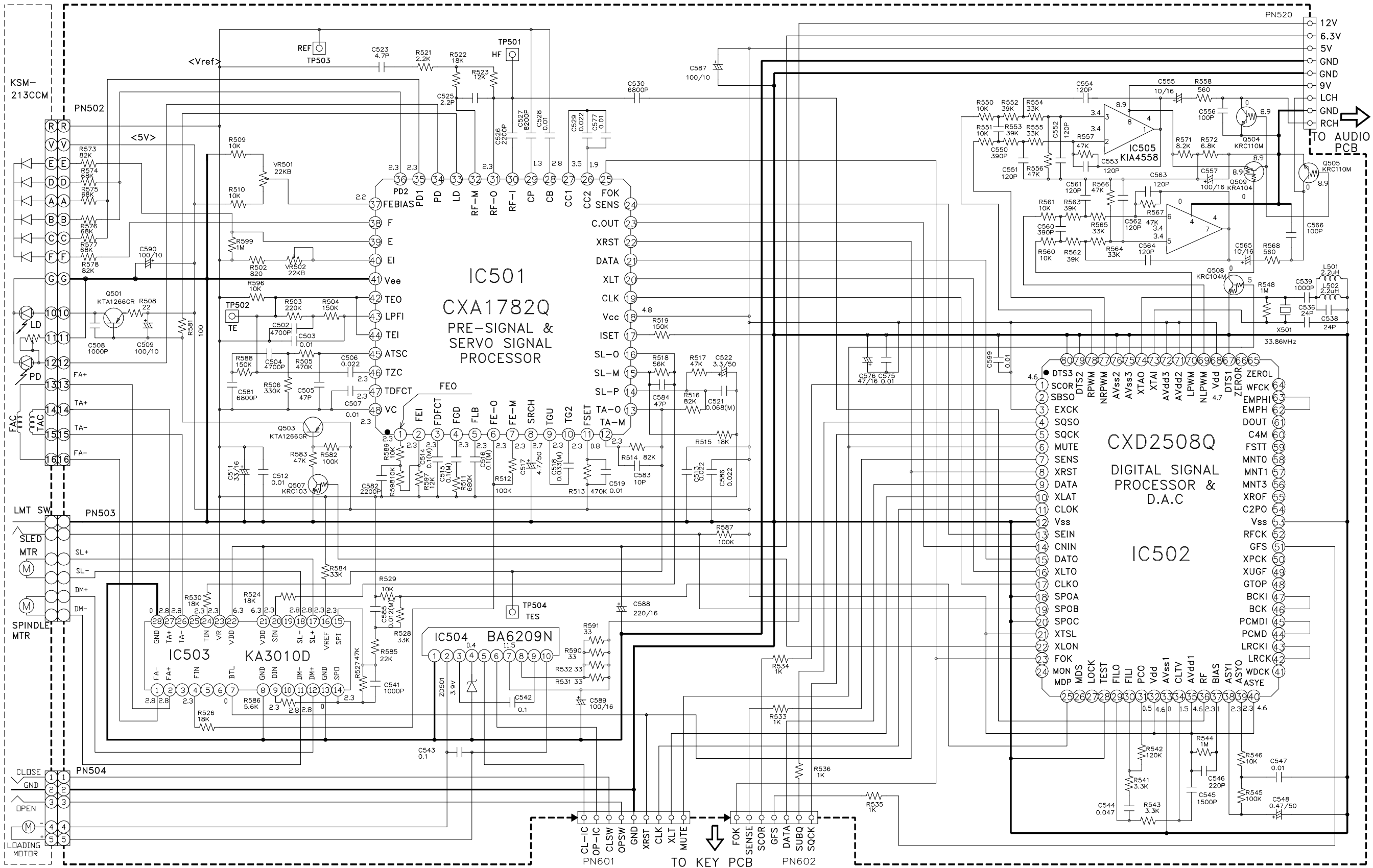
MIC JACK

CN603

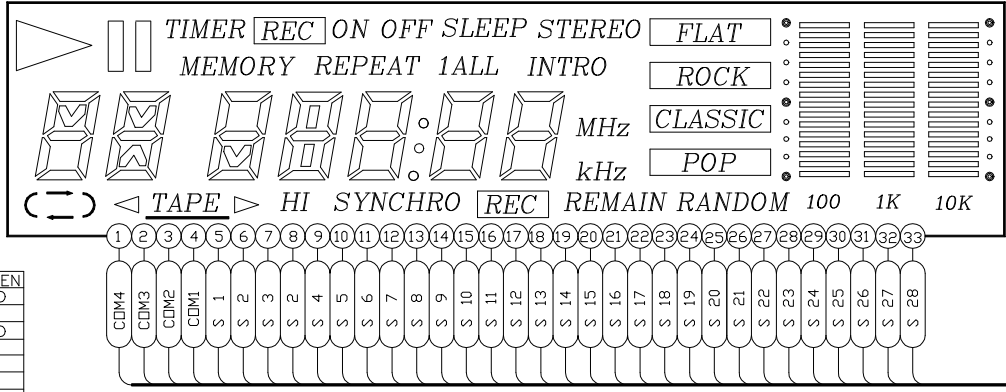
CN604

CN605

POWER TRANS



LCD601



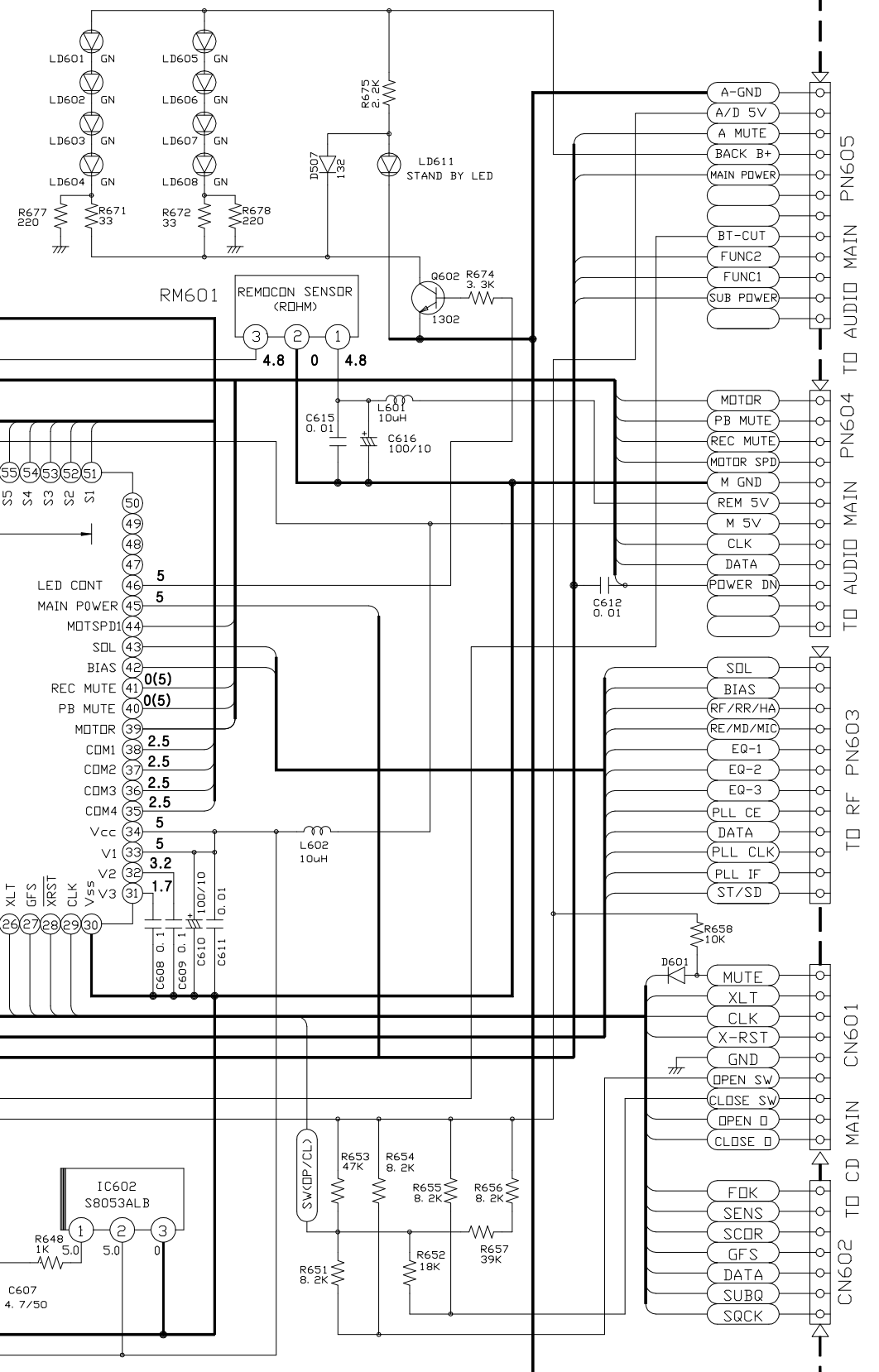
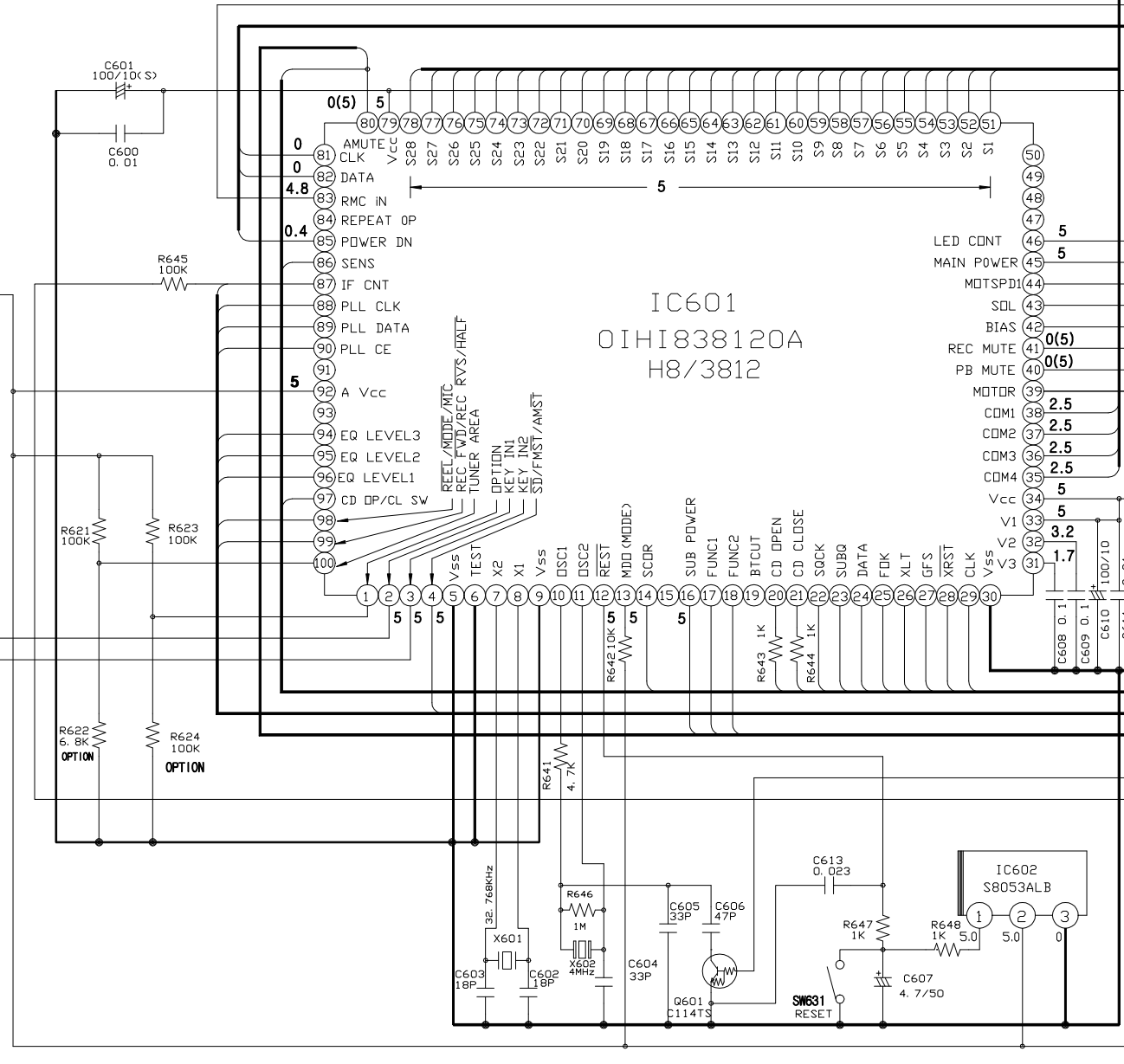
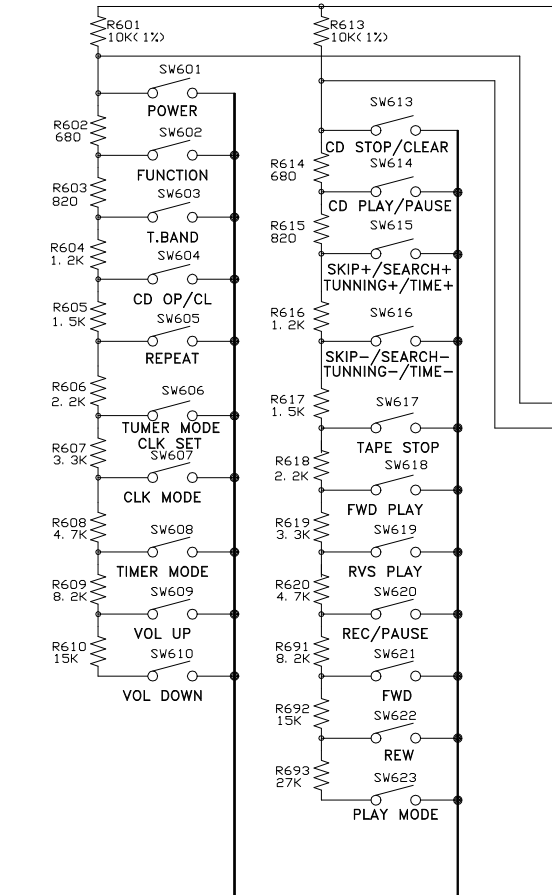
R621 = 100K

BAND \ R622	SHORT	6.8K	15K	27K	47K	68K	100K	OPEN
FM	<input type="checkbox"/>	<input type="checkbox"/>	<input type="checkbox"/>	<input type="checkbox"/>	<input type="checkbox"/>	<input type="checkbox"/>	<input type="checkbox"/>	<input type="checkbox"/>
AM	<input type="checkbox"/>	<input type="checkbox"/>	<input type="checkbox"/>	<input type="checkbox"/>	<input type="checkbox"/>	<input type="checkbox"/>	<input type="checkbox"/>	<input type="checkbox"/>
MW	<input type="checkbox"/>	<input type="checkbox"/>	<input type="checkbox"/>	<input type="checkbox"/>	<input type="checkbox"/>	<input type="checkbox"/>	<input type="checkbox"/>	<input type="checkbox"/>
TV	<input type="checkbox"/>	<input type="checkbox"/>	<input type="checkbox"/>	<input type="checkbox"/>	<input type="checkbox"/>	<input type="checkbox"/>	<input type="checkbox"/>	<input type="checkbox"/>
SW	<input type="checkbox"/>	<input type="checkbox"/>	<input type="checkbox"/>	<input type="checkbox"/>	<input type="checkbox"/>	<input type="checkbox"/>	<input type="checkbox"/>	<input type="checkbox"/>
SW1	<input type="checkbox"/>	<input type="checkbox"/>	<input type="checkbox"/>	<input type="checkbox"/>	<input type="checkbox"/>	<input type="checkbox"/>	<input type="checkbox"/>	<input type="checkbox"/>
SW2	<input type="checkbox"/>	<input type="checkbox"/>	<input type="checkbox"/>	<input type="checkbox"/>	<input type="checkbox"/>	<input type="checkbox"/>	<input type="checkbox"/>	<input type="checkbox"/>
LW	<input type="checkbox"/>	<input type="checkbox"/>	<input type="checkbox"/>	<input type="checkbox"/>	<input type="checkbox"/>	<input type="checkbox"/>	<input type="checkbox"/>	<input type="checkbox"/>

R623 = 100K

OPTION/ R624	SHORT	6.8K	15K	27K	47K	68K	100K	OPEN
DECK REPEAT	<input type="checkbox"/>	<input type="checkbox"/>	<input type="checkbox"/>	<input type="checkbox"/>	<input type="checkbox"/>	<input type="checkbox"/>	<input type="checkbox"/>	<input type="checkbox"/>
CLOCK	12	12	24	24	12	24	24	12
SPEED KEY	<input type="checkbox"/>	<input type="checkbox"/>	<input type="checkbox"/>	<input type="checkbox"/>	<input type="checkbox"/>	<input type="checkbox"/>	<input type="checkbox"/>	<input type="checkbox"/>

u-COM PORT		STATE	
FUNCTION		FUN1	FUN2
TAPE		H	L
TU		L	H
CD		H	H
don't care			



TO AUDIO MAIN PN605
 TO AUDIO MAIN PN604
 TO RF PN603
 TO CD MAIN CN601