

***OPTION LIST**

NO	SYMBOL	MODEL	BAND	(FPH - FPL)	NOTE
1	FB901,151	0	0	0	J/W BEAD
2	FB901,180	0	0	0	J/W BEAD
3	FB901,351	J/W	J/W	J/W	J/W BEAD
4	FB400	0	0	0	J/W BEAD
5	FB902,001	0	0	0	J/W BEAD
6	FB991,992	J/W	J/W	J/W	J/W BEAD
7	L300	0	0	0	J/W COIL
8	L310,360	0	0	0	J/W COIL
9	C312,162	X	X	X	CE.0.0(T)
10	C317,367	0	0	0	CE.0.0(T)
11	C318,368	0	0	0	CE.0.0(T)
12	C319,369	0	0	0	CE.0.0(T)
13	C398	0	0	0	CE.0.0(T)
14	C399	0	0	0	CE.0.0(T)
15	C390	X	X	X	ISS159
16	ZD210,911	X	X	X	*A OPTION
17	SW901	X	X	X	OPTION V/VOLTAGE ONLY
18	DS901	0	0	0	OPTION S/VOLTAGE ONLY
19	CS910	X	X	X	OPTION 180-180V ONLY
20	DS920	0	0	0	OPTION 180-240V ONLY

***DECK OPTION LIST**

NO	SYMBOL	SAMSUNG DECK	VALLEY WOOD DECK	NOTE
1	R105,165	56 Ohm	66 Ohm	
2	R108,158	2.7 KOhm	3.9 KOhm	
3	R130,180	12 KOhm	15 KOhm	
4	R145	680 Ohm	470 Ohm	
5	C130,180	392(M)	272(M)	

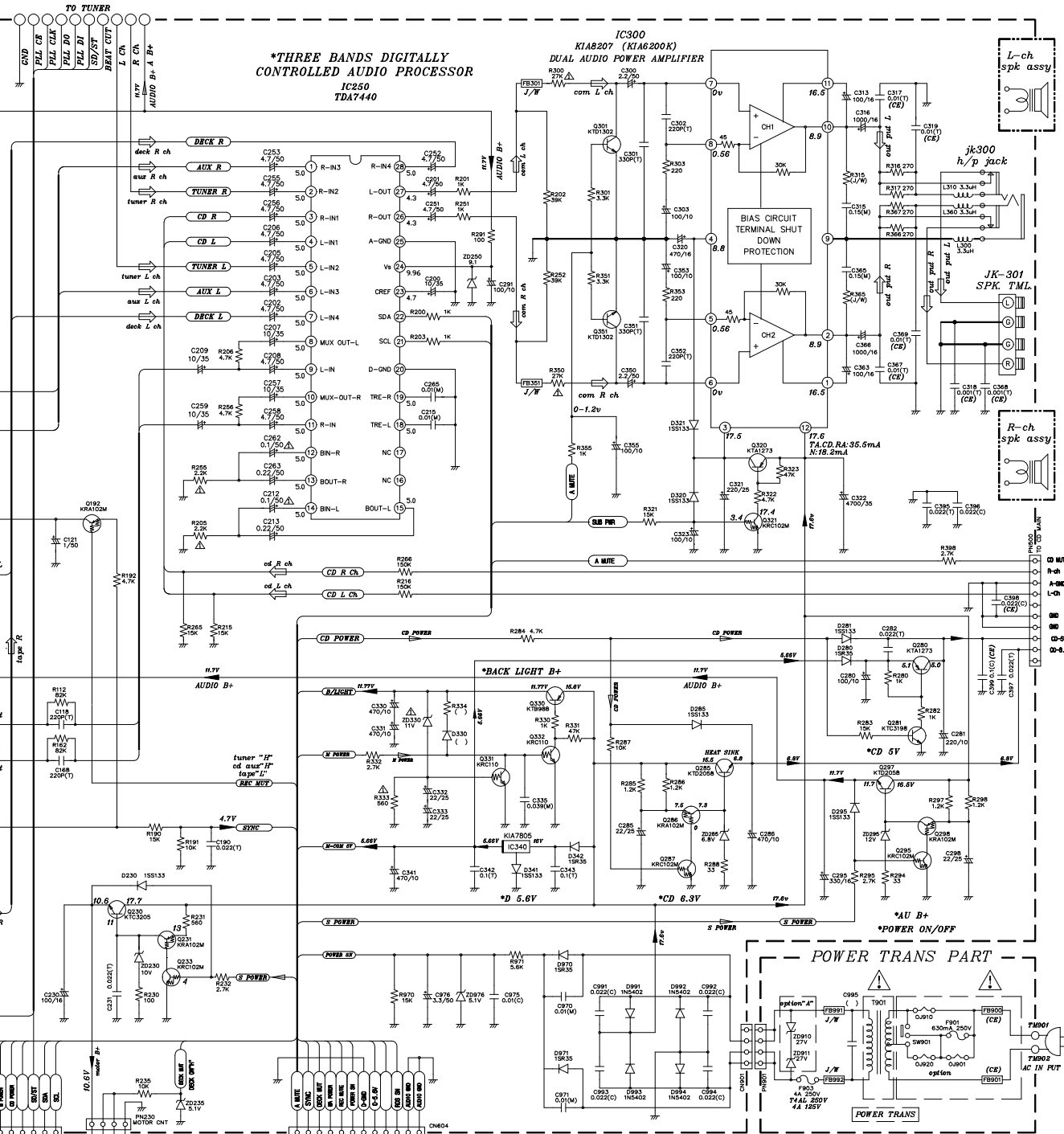
***TR OLD NEW NO LIST**

OLD NO	NEW NO	R1	R2
KRC1203	KRC103M	22K	22K
KRC1210	KRC103M	1.7K	-
KRC111M	KRC111M	10K	-
KRA2202	KRA102M	10K	10K
KRA2203	KRA103M	22K	22K
KRA2204	KRA104M	47K	47K

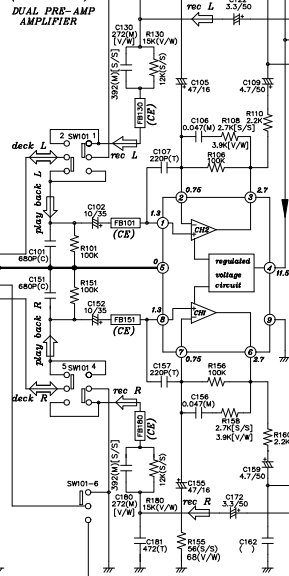
***TR OLD NEW NO LIST**

OLD NO	NEW NO
KT4101S	KT41266
KTCH15	KTCS198
KTCS198	KTCS202
KTCS198TMBL	KTCS198TMBL
KTBB34	KTBB88
KTCS236A	KTCS305
KTDS205B	KTDS212
KTAS66A	KT41273

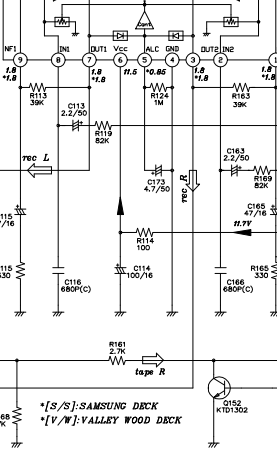
***THREE BANDS DIGITALLY CONTROLLED AUDIO PROCESSOR**
IC250 TDA7440



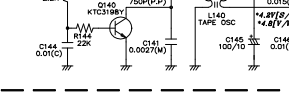
IC101 KIA6285S (KIA7325P) DUAL PRE-AMP AMPLIFIER



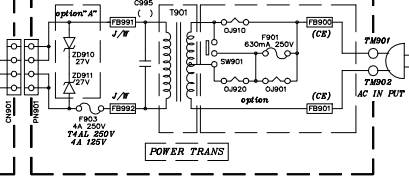
IC203 BA8308 DUAL PREAMPLIFIER WITH AIC



***TAPE OSC PART**



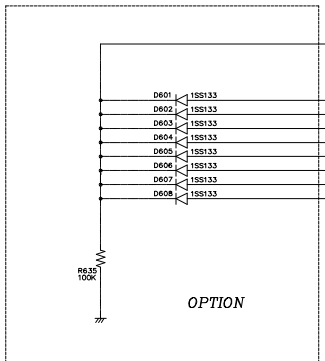
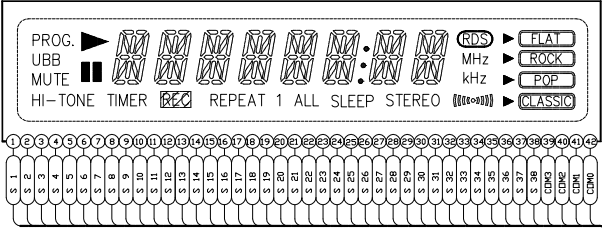
POWER TRANS PART



SW10 REC SW
 ○ PWR
 ○ S
 ○ REC

(AUDIO EMS) (CD EMI)
 * FOR CE: FB901,151,130,180,900,901 FB400,900,901
 * TAPES PLAT: C317,367 C318,368 L300,310,360
 * C319,369 C398,399 C401

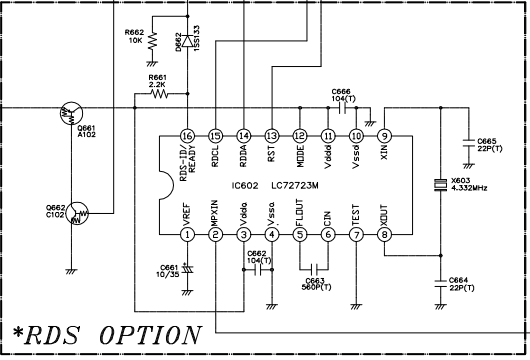
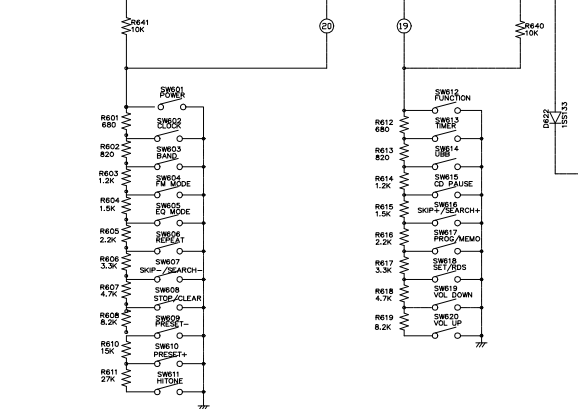
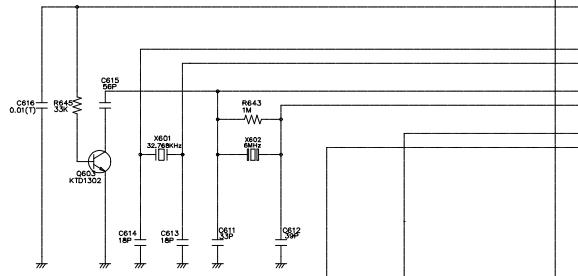
LC601



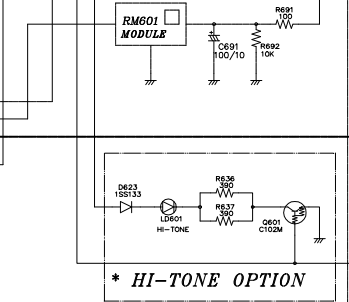
<< DIODE OPTION TABLE >>

DIODE	PIN NO.	DIODE OPTION
D8	98	HITONE
D601	97	RDS
D602	96	COLON
D603	96	ON X OFF
D604	95	AM FREQ. STEP
D604	94	FM FREQ. STEP
D605	94	50kHz X 100kHz
D3	93	TUNER AREA OPTION
D2	88	1.5MHz X 3MHz
D607	88	1.5MHz X 3MHz
D1	7	0 1 0
D608	7	0 1 0

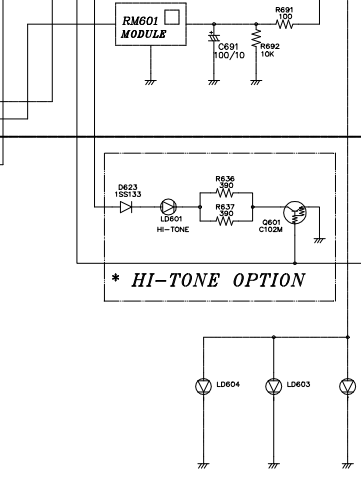
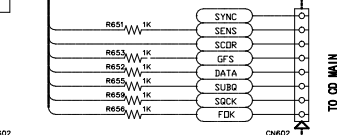
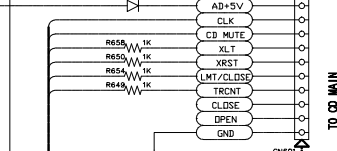
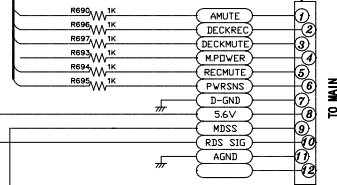
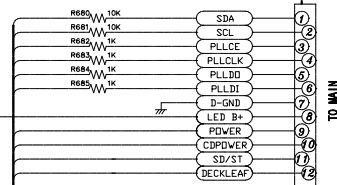
IC601 LC8672XX



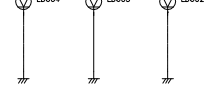
*RDS OPTION



* HI-TONE OPTION

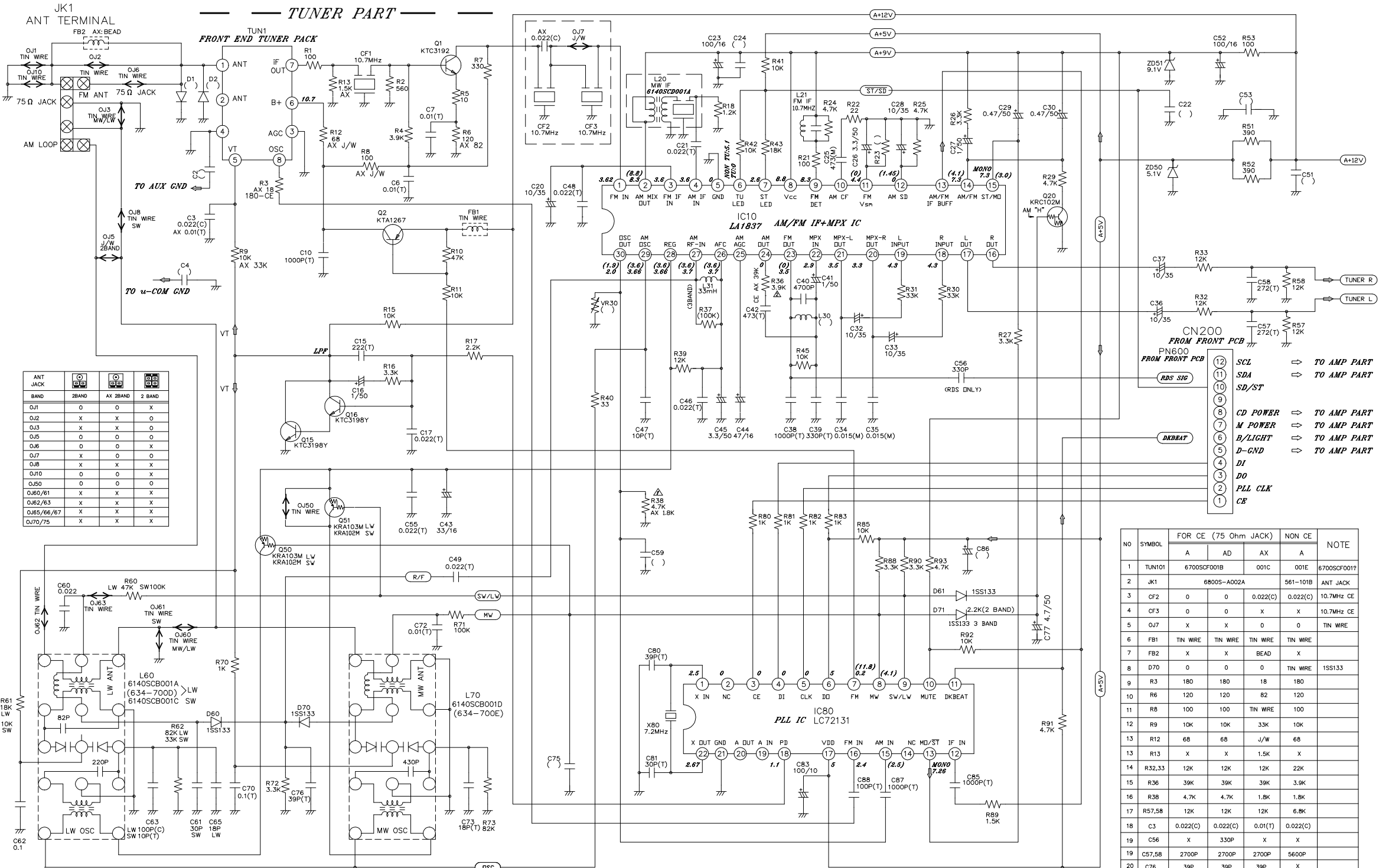


RM601 MODULE



V604 V603 V602

TUNER PART



ANT JACK	2BAND	AX 2BAND	2 BAND
OJ1	X	O	X
OJ2	X	X	O
OJ3	X	X	O
OJ5	O	O	X
OJ6	O	O	X
OJ7	X	O	O
OJ8	X	X	X
OJ10	O	O	X
OJ50	O	O	O
OJ60/61	X	X	X
OJ62/63	X	X	X
OJ65/66/67	X	X	X
OJ70/75	X	X	X

- CN200 FROM FRONT PCB**
- 12 SCL TO AMP PART
 - 11 SDA TO AMP PART
 - 10 SD/ST TO AMP PART
 - 8 CD POWER TO AMP PART
 - 7 M POWER TO AMP PART
 - 6 B/LIGHT TO AMP PART
 - 5 D-GND TO AMP PART
 - 4 DI
 - 3 DO
 - 2 PLL CLK
 - 1 CE

NO	SYMBOL	FOR CE (75 Ohm JACK)			NON CE	NOTE
		A	AD	AX		
1	TUN101	67005CF001B	001C	001E	67005CF001?	
2	JK1	68005-A002A		561-101B	ANT JACK	
3	CF2	0	0	0.022(C)	0.022(C)	10.7MHz CE
4	CF3	0	0	X	X	10.7MHz CE
5	OJ7	X	X	0	0	TIN WIRE
6	FB1	TIN WIRE	TIN WIRE	TIN WIRE	TIN WIRE	
7	FB2	X	X	BEAD	X	
8	D70	0	0	0	TIN WIRE	1SS133
9	R3	180	180	18	180	
10	R6	120	120	82	120	
11	R8	100	100	TIN WIRE	100	
12	R9	10K	10K	33K	10K	
13	R12	68	68	J/W	68	
14	R13	X	X	1.5K	X	
15	R36	39K	39K	39K	3.9K	
16	R38	4.7K	4.7K	1.8K	1.8K	
17	R57,58	12K	12K	12K	6.8K	
18	C3	0.022(C)	0.022(C)	0.01(T)	0.022(C)	
19	C56	X	330P	X	X	
19	C57,58	2700P	2700P	2700P	5600P	
20	C76	39P	39P	39P	X	