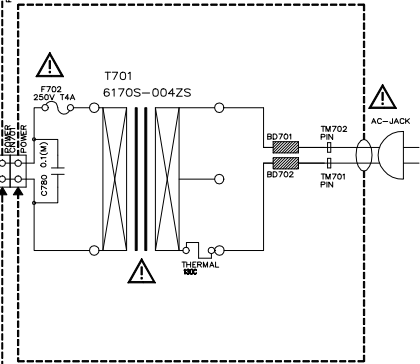


TUNER CIRCUIT PART
is drawn on another sheet.
[PCB-INTERNAL-CONNECTION]

- | | |
|--------|-----------------------|
| [A] DK | = REC./PLAY BACK DECK |
| [B] DK | = PLAY BACK ONLY DECK |
- MOTOR
 BK +
 WH -
 BR A
 BLUE
 GRAY MTR -- [A] DK
 YEL MTR -- [B] DK
 GRN
 CYAN P/B -- [B] DK
 PINK
 DK CHASSIS GND
 REC -- [A] DK



STEREO 1
A-MUTE 2
P-SWITCH A 3
HI-SPEED 4
MTR 5
P-SENSE 6
PLL CLK 7
DIT 8
MIC 9
TAPES A/B 10
A GND 11
A +9V 12
A +5V 13
+6.2V 14
M GND 15
M +12V 16

ERASE HEAD

B-DECK
P/B HEAD

A-DECK
R/P HEAD

JK701
JK702
SPEAKER JACK

THERMAL

AC-JACK

L

R

L

R

AC-JACK

THERMAL

T701

6170S-004ZS

AC-JACK

THERMAL

AC-JACK

