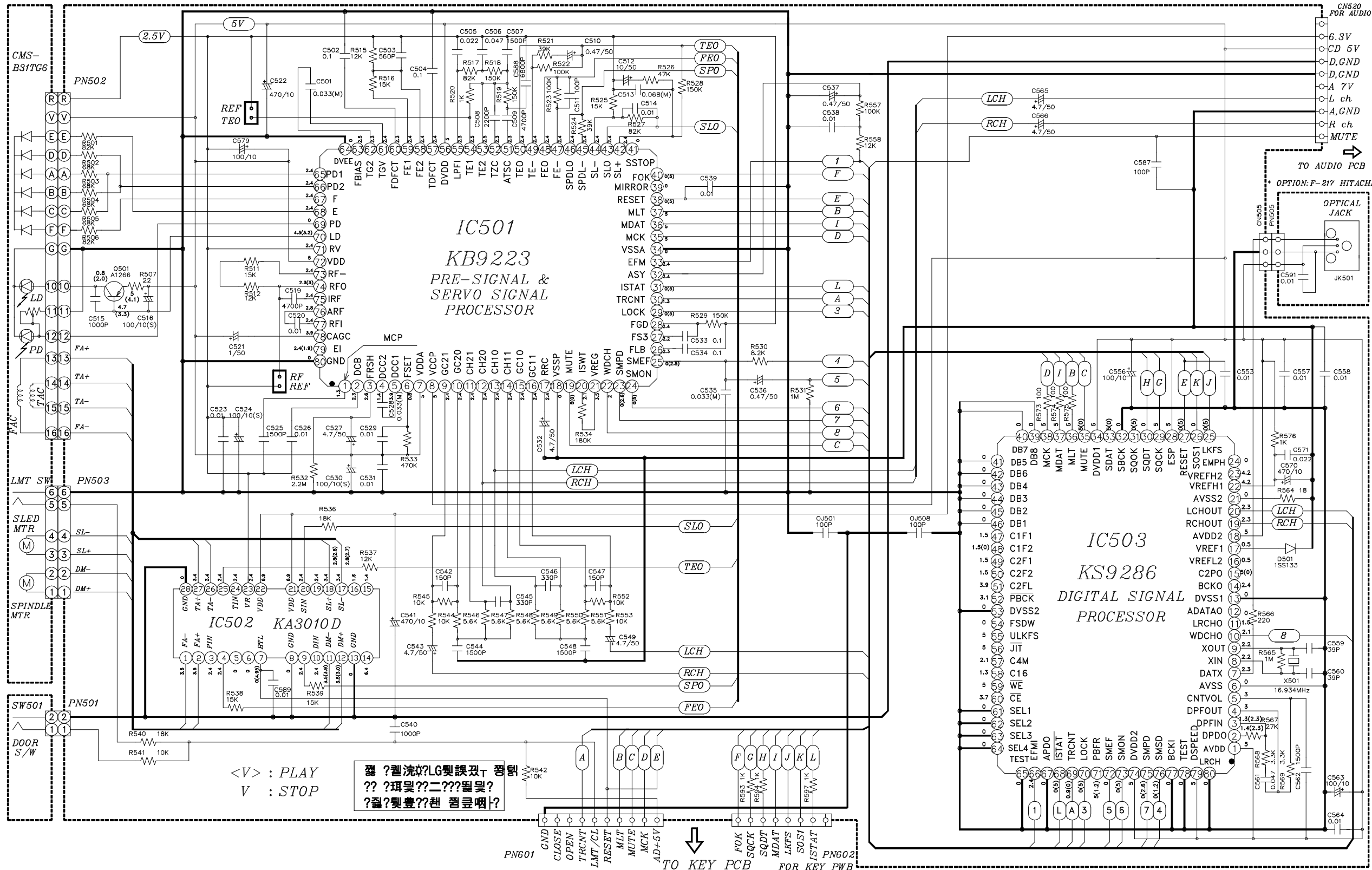


ANT JACK	2BAND	AX 2BAND	2 BAND	LW BAND
OJ1	X	X	O	X
OJ2	O	O	O	X
OJ3	X	X	O	X
OJ6	O	O	X	O
OJ7	X	O	O	X
OJ8	X	X	X	X
OJ10	O	O	O	O
C1	O	O	X	O
OJ50	O	O	O	X
OJ60	X	X	X	O
OJ61	X	X	X	O
OJ62	X	X	X	O
OJ63	X	X	X	O
OJ64	X	X	X	O

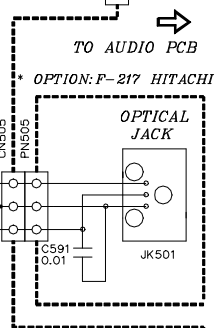
NO	SYMBOL	FOR CE			NON CE	NOTE
		A	AD	AX	A	
1	TUN101	6700SCF001B	001C	001E	6700SCF001?	
2	JK1	6800S-A002A			561-101B	ANT JACK
3	CF2	0	0	0.022(C)	0.022(C)	10.7MHz CE
4	CF3	0	0	X	X	10.7MHz CE
5	OJ2	10uH	10uH	TIN WIRE	TIN WIRE	
6	OJ7	X	X	0	0	TIN WIRE
7	FB1	BEAD	BEAD	BEAD	TIN WIRE	
8	R5	TIN WIRE	TIN WIRE	10	TIN WIRE	
9	R6	120	120	82	120	
10	R22	100	100	100	100	
11	R36	24K	24K	24K	3.9K	
12	R38	4.7K	4.7K	1.8K	1.8K	
13	R30,31	10K	10K	10K	18K	
14	C56	X	TIN WIRE	X	X	
15	D70	TIN WIRE	TIN WIRE	TIN WIRE	TIN WIRE	
16						
17						



<V> : PLAY  
 V : STOP

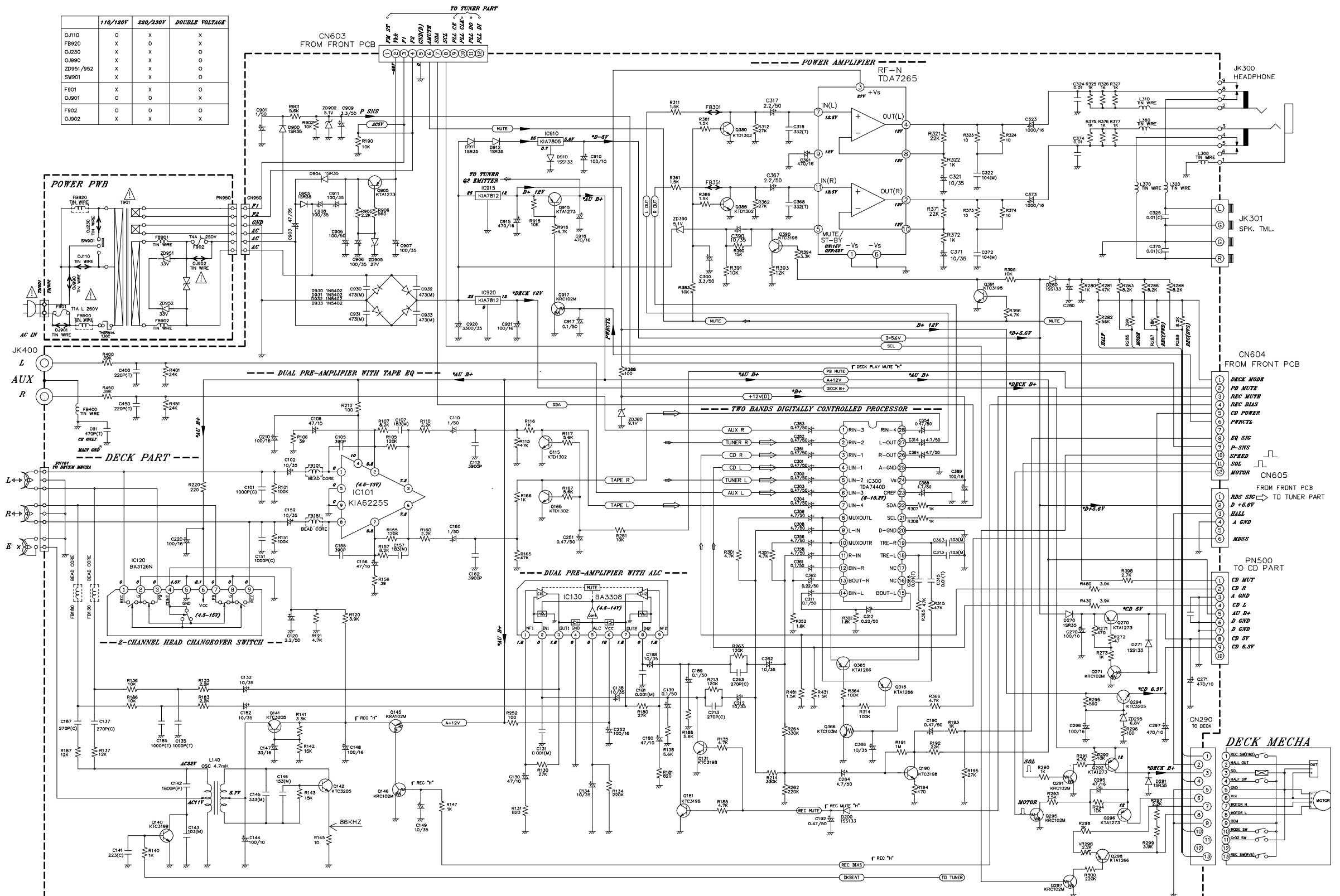
?? ? 洗?? LG 製誤?? 器製  
 ?? ? 琪吳?? 二?? 器吳?  
 ? 器? 製器?? 器 器器器??

PN601 GND CLOSE OPEN TRCNT LMT/CL RESET MUTE MCK AD+5V TO KEY PCB  
 FOK SQDK SQDT MDAT LKFS SOS1 ISTAT PN602 FOR KEY PWB



CN520 FOR AUDIO  
 6.3V  
 CD 5V  
 D.GND  
 D.GND  
 A 7V  
 L ch  
 A.GND  
 R ch  
 MUTE

	110/120V	220/230V	DOUBLE VOLTAGE
QJ110	0	X	X
FB920	X	0	X
QJ230	X	X	0
QJ990	X	X	0
ZD951/952	X	X	0
SW901	X	X	0
F801	X	X	0
QJ901	0	0	X
F802	0	0	0
QJ802	X	X	X

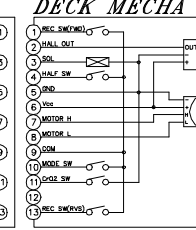


CN604 FROM FRONT PCB

CN605 FROM FRONT PCB

PN500 TO CD PART

CN290 TO DECK



- 1 DECK MODE
- 2 FB MUTE
- 3 REC MUTE
- 4 REC BIAS
- 5 CD POWER
- 6 FRCXCL
- 7 EQ SIG
- 8 P-SYS
- 9 SPEED
- 10 SOL
- 11 MOTOR

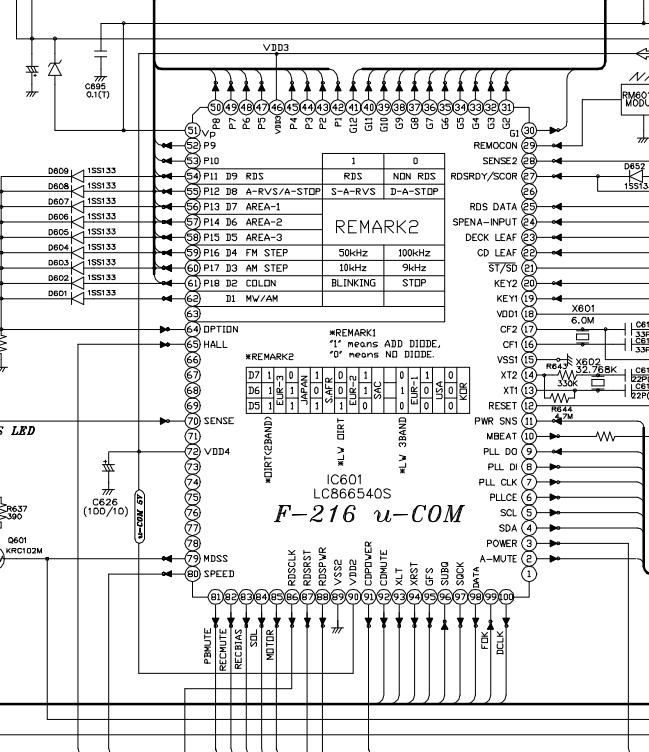
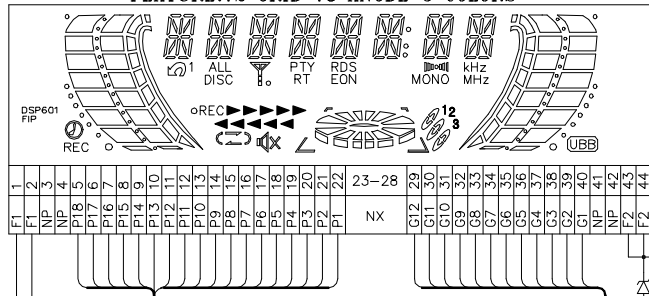
- 1 CD MUT
- 2 CD R
- 3 A GND
- 4 CD L
- 5 D GND
- 6 GND
- 7 CD 5V
- 8 CD 6.3V

FEATURE:12 GRID 18 ANODE 3 COLORS

FL601

*TR OLD NEW NO LIST					
polarity	OLD NO	NEW NO	R1	R2	
NPN	KRC1203	KRC103M	22K	22K	
	KRC1210	KRC110M	4.7K	-	
	KRC111M	KRC111M	10K	-	
PNP	KRA2202	KRA102M	10K	10K	
	KRA2203	KRA103M	22K	22K	
	KRA2204	KRA104M	47K	47K	

*TR OLD NEW NO LIST	
OLD NO	NEW NO
KTA1015	KTA1266
KTC1815	KTC3198
KTC1959	KTC3202
KTC7321MBL	KTC31981MBL
KT8934	KT8989
KTC2236A	KTC3205
KT2058	KT2012
KTA966A	KTA1273



\*RDS OPTION

- CN601 TO CD
- AD+5V
- CLK
- CD MUTE
- XLT
- XRST
- LMT/CLOSE
- TRCNT
- CLOSE
- OPEN
- GND

- PN603 TO MAIN
- FM ST
- VKK(-26V)
- F1
- F2
- GND(D)
- AMUTE
- SDA
- SCL
- PLL CE
- PLL CLK
- PLL DI
- PLL DO

- PN604 TO MAIN
- RDS SIGNAL
- 5.6V
- HALL
- GND(A)
- MDSS

- PN605 TO MAIN
- MODE/RECR/RECF/HALF
- PB MUTE
- REC MUTE
- REC BIAS
- CD POWER
- P-CTRL
- EQ SIG
- P-SNS
- SPEED
- SOL
- MOTOR

