

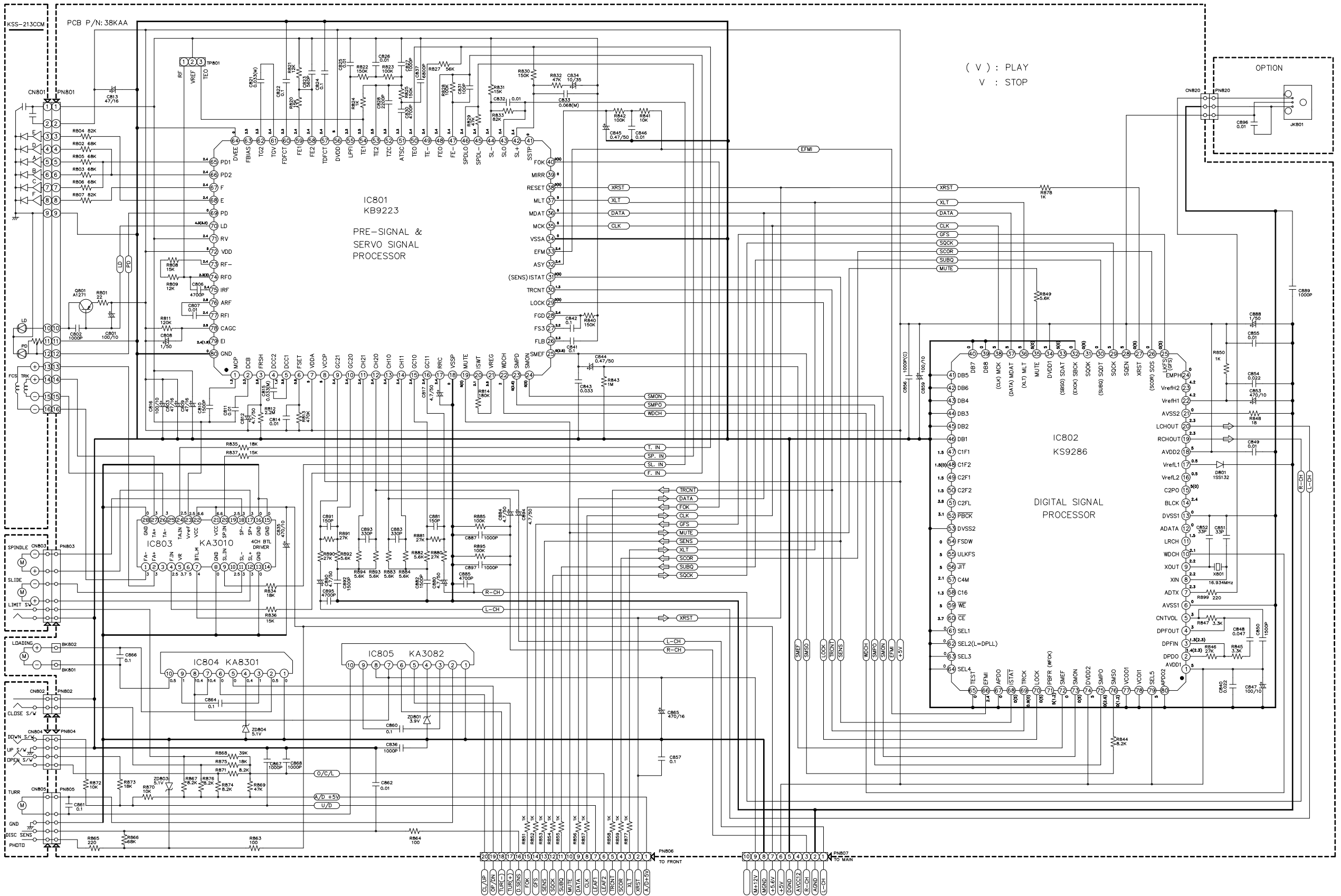
***SPK RELAY**

***MTB**

VOLTAGE AREA				
30W	50W	115V	230V	DOUBLE VOLTAGE
OJ701	OJ501	X	0	X
OJ702	OJ502	0	X	X
OJ703	OJ503	0	0	X
SW701	SW501	X	X	0
F701	F501	X	X	0
TVS701	TVS501	X	X	0
WIRE 0 (PN501-CN501)				

	30W	50W		30W	50W
OJ710	TIN WIRE	X	D720	X	PBU604
OJ760	TIN WIRE	X	D501	X	1SR35
OJ711	TIN WIRE	X	D502	X	1SR35
OJ761	TIN WIRE	X	C501	X	103(M)
OJ741	X	TIN WIRE	C502	X	103(M)
OJ742	X	TIN WIRE	C505	X	1000/35
OJ743	X	TIN WIRE	F701	X	2A/250V
OJ744	X	TIN WIRE	F702	X	5A/250V
OJ720	X	TIN WIRE	F703	X	5A/250V
OJ721	TIN WIRE	X	F501	X	2.5A/250V
OJ722	X	TIN WIRE	F502	X	5A/250V
OJ723	TIN WIRE	X	F503	X	5A/250V
SPK RELAY	X	USE ONLY	F504	X	2A/250V
D706	1N5402	X	C777	X	3300/35
D707	1N5402	X	C778	X	2200/35
D708	1N5402	X			4700/50
D709	1N5402	X			4700/50

CN303 FROM FRONT PCB
 ST (2) GND(D) +0.6V P-SNS DI DO DI CLK PLL CE A-MUTE P-CTRL SDA SCL GND(D) HI-SPEED REC BIAS REC MUTE PB MUTE TAPE A/B CD LATCH +0.6V GND(D) +12V(D) SPD ADJ SPD ADJ GND(D) YKK F1



(V) : PLAY
V : STOP

OPTION

IC801
KB9223
PRE-SIGNAL &
SERVO SIGNAL
PROCESSOR

IC802
KS9286
DIGITAL SIGNAL
PROCESSOR

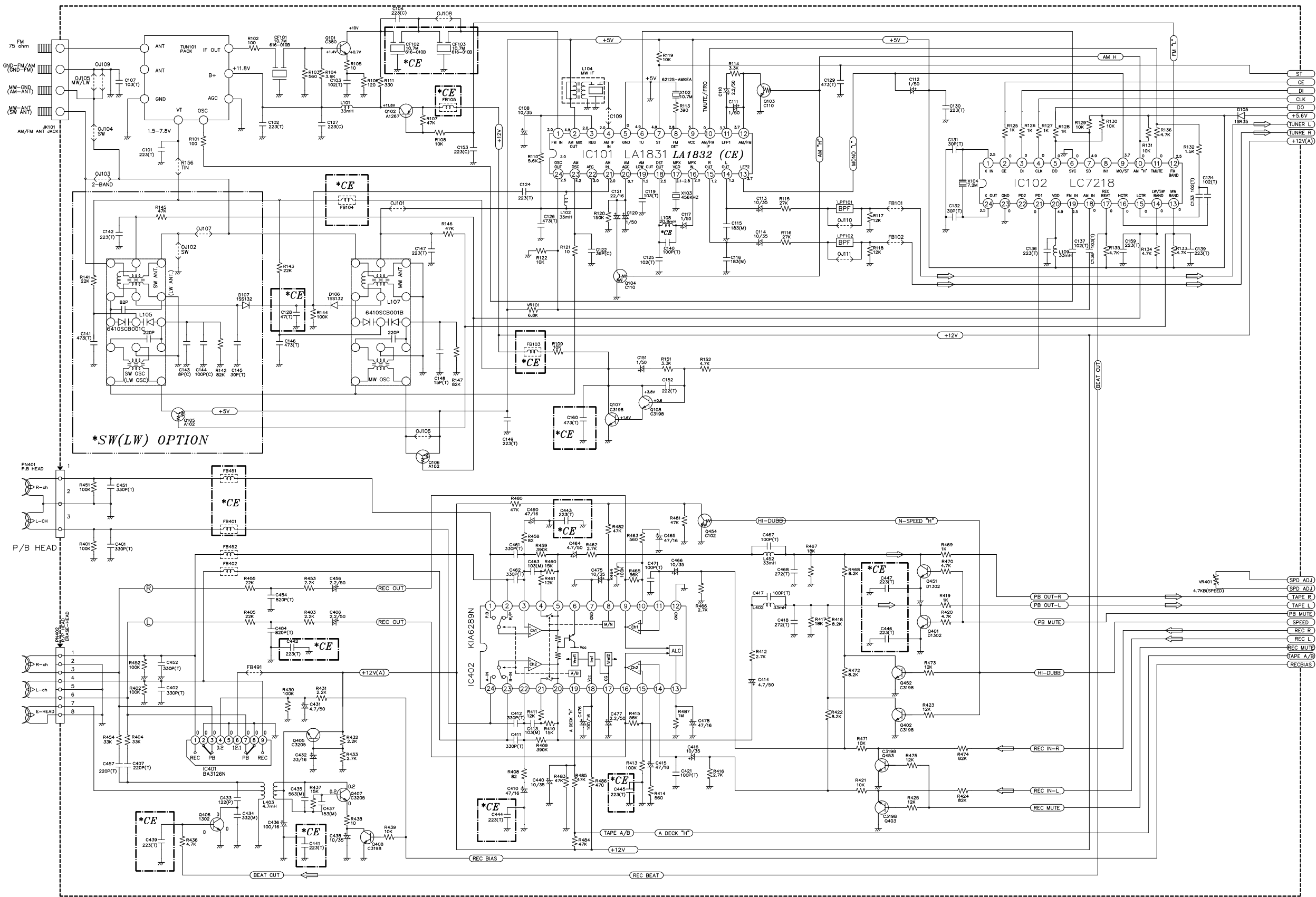
IC803
KA3010
4CH BTL DRIVER

IC804
KA8301

IC805
KA3082

- TO FRONT
- 36 G/UB
 - 35 G/DN
 - 34 L/R
 - 33 L/R
 - 32 L/R
 - 31 G/S
 - 30 SENS
 - 29 G/S
 - 28 G/S
 - 27 G/S
 - 26 G/S
 - 25 G/S
 - 24 G/S
 - 23 G/S
 - 22 G/S
 - 21 G/S
 - 20 G/S
 - 19 G/S
 - 18 G/S
 - 17 G/S
 - 16 G/S
 - 15 G/S
 - 14 G/S
 - 13 G/S
 - 12 G/S
 - 11 G/S
 - 10 G/S
 - 9 G/S
 - 8 G/S
 - 7 G/S
 - 6 G/S
 - 5 G/S
 - 4 G/S
 - 3 G/S
 - 2 G/S
 - 1 G/S

- TO MAIN
- 10 G/UB
 - 9 G/DN
 - 8 L/R
 - 7 L/R
 - 6 L/R
 - 5 L/R
 - 4 G/S
 - 3 SENS
 - 2 G/S
 - 1 G/S



- ST
- CE
- DI
- CLK
- DO
- +5.6V
- TUNER L
- TUNER R
- +12V(A)
- SPD ADJ.
- SPD ADJ.
- TAPE R
- TAPE L
- PB MUTE
- SPEED
- REC R
- REC L
- REC MUTE
- TAPE A/B
- RECBIAS

*SW(LW) OPTION

*CE

BEAT CUT

REC BEAT

BEAT CUT

4.7K(SPEED)

SPD ADJ.

SPD ADJ.

TAPE R

TAPE L

PB MUTE

SPEED

REC R

REC L

REC MUTE

TAPE A/B

RECBIAS