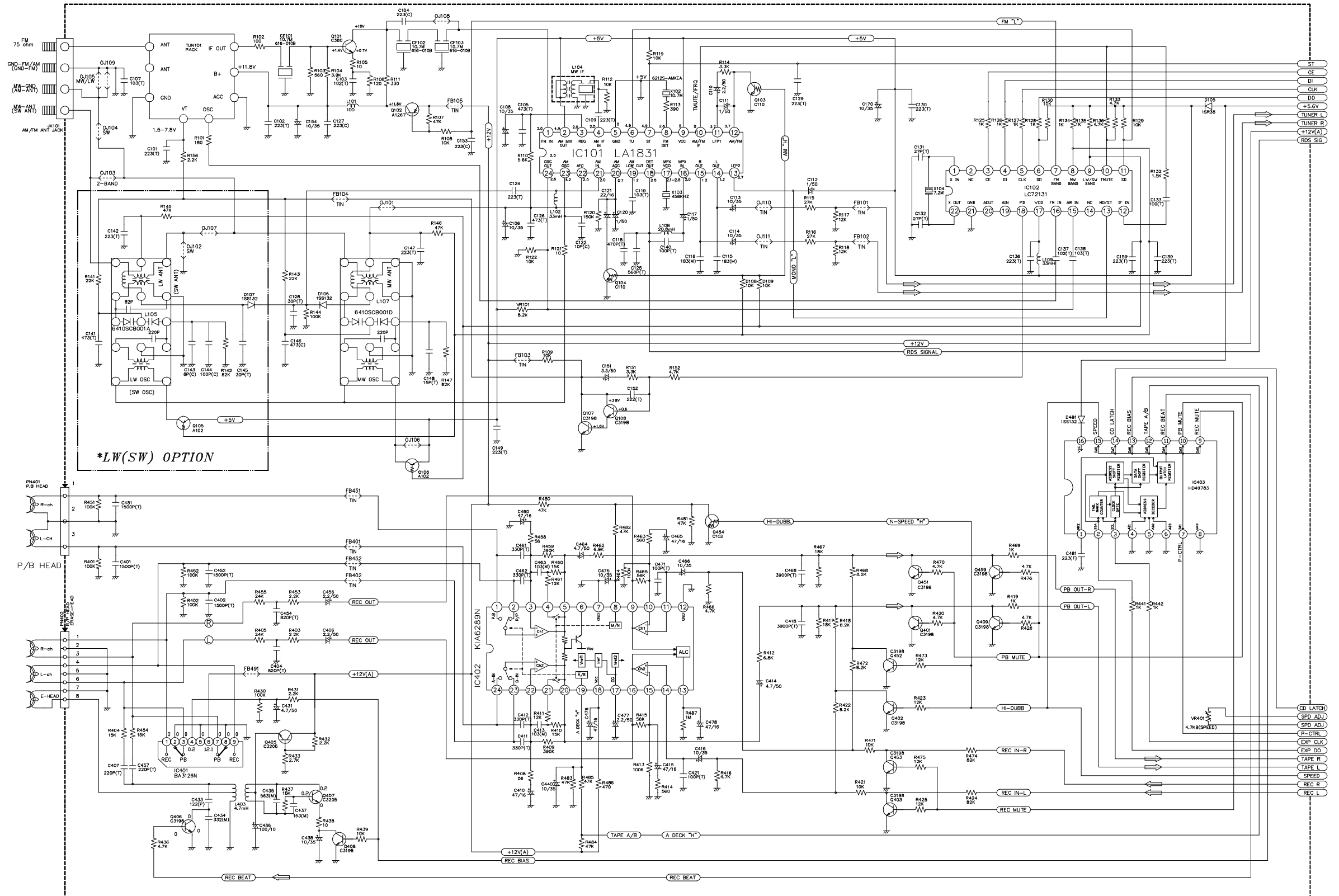
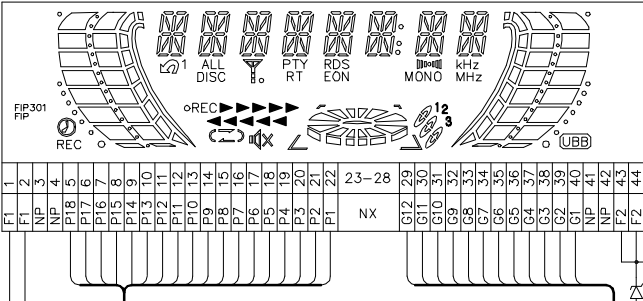
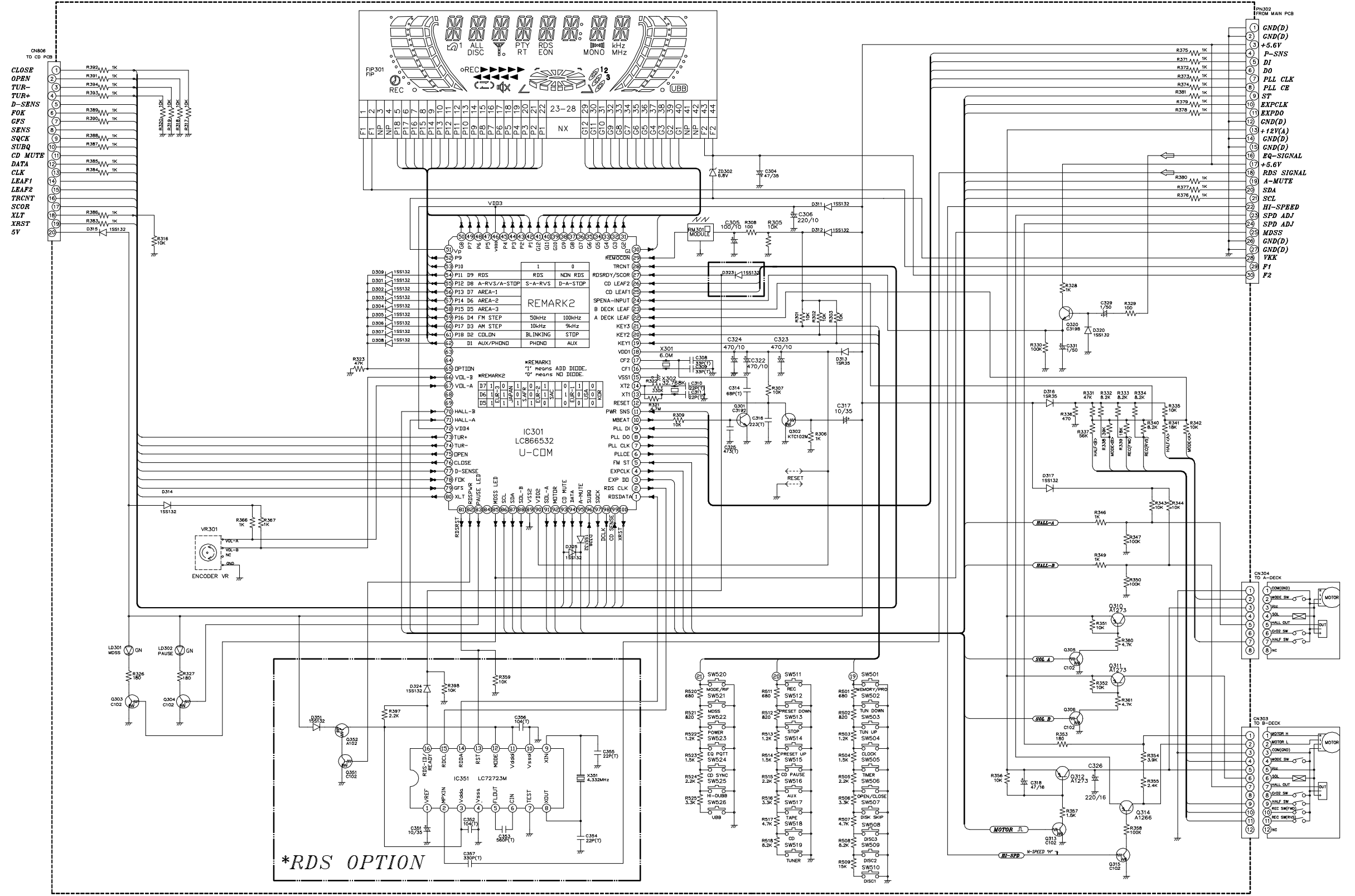


VOLTAGE AREA

	115V	230V	DOUBLE VOLTAGE
OJ701	X	0	X
OJ702	0	X	X
SW701	X	X	0
F701	X	X	0
TVS701	X	X	0
CN703	X	X	0
PN703	X	X	0
WIRE	X	X	0 (CN703-PN703)

*USE ONLY UL/CSA AREA





Pin	Function	Pin	Function
1	REC	23-28	NX
2	ALL DISC	29	G12
3	RT	30	G11
4	RDS EON	31	G10
5	MONO	32	G9
6	kHz	33	G8
7		34	G7
8		35	G6
9		36	G5
10		37	G4
11		38	G3
12		39	G2
13		40	G1
14		41	AMP
15		42	AMP
16		43	AMP
17		44	AMP

Pin	Function	Pin	Function
1	RDS	17	FM STEP
2	CD A-RVS/A-STOP	18	10kHz
3	S-A-RVS	19	9kHz
4	D-A-STOP	20	BLINKING
5	AREA-1	21	STDP
6	AREA-2	22	AUX
7	AREA-3		
8	50kHz		
9	100kHz		
10	50kHz		
11	10kHz		
12	9kHz		
13	BLINKING		
14	STDP		
15	AUX		

*RDS OPTION

- 1 GND(D)
- 2 GND(D)
- 3 +5.6V
- 4 P-SYS
- 5 DI
- 6 DO
- 7 PLL CLK
- 8 PLL CE
- 9 ST
- 10 EXPCLK
- 11 EXPDO
- 12 GND(D)
- 13 +12V(A)
- 14 GND(D)
- 15 GND(D)
- 16 EQ-SIGNAL
- 17 +5.6V
- 18 RDS SIGNAL
- 19 A-MUTE
- 20 SDA
- 21 SCL
- 22 HI-SPEED
- 23 SPD ADJ
- 24 SPD ADJ
- 25 MDS
- 26 GND(D)
- 27 GND(D)
- 28 F1
- 29 F2

